



Altec LMAP System

STANDARD SAFETY FEATURES

- Altec LMAP (Load Moment & Area Protection) System
 - Rated Capacity Limiter
 - Displays: Boom Length, Boom Angle, Load on Hook, Percent of Rated Capacity
 - Electronic Working Area Definition
 - Operator Defined Audible Alarm Set-Points for Boom Angle, Length and Rotational Position
- Outrigger Boom Interlock System
- Outrigger Motion Alarm
- Emergency Stop at Operator Controls
- Anti-Two Block Device

RECOMMENDED FEATURES

- Wheel Chocks
- Fall Protection System (with platform)
- Radio Remote Control (with platform)
- Outrigger Pads

CRANE SPECIFICATIONS

- 56,000 lb (25,403 kg) Maximum Lifting Capacity
- 103 ft (31.4 m) 4-Section Non-Insulated Boom
- 113 ft (34.4 m) Maximum Sheave Height
- Stowed Travel Height of 13.3 ft (4.0 m)
- Vehicle Travel Length of 38 ft (11.6 m)
- Outriggers; Primary – Pivoting Beam; Auxiliary – Out-and-Down
- Hydraulic Pilot-Operated Control System
- Life Cycle Tested for Reliability

OPTIONS

- 2-Piece 44 ft (13.4 m) Jib, 26 ft (7.9 m) Retracted
- 95 ft (29.0 m) 4-Section Boom
- Winch Control at Load Hook Stow Point
- 2-Man Steel Platform
- Load Blocks for Multiple Parts of Line
- Hydraulic Tool Circuit at Tail Shelf
- Utility Tool Boxes
- Rotation Resistant Wire Rope
- 2-Speed Winch
- Oil Cooler
- Continuous Rotation
- Out-and-Down Primary Outriggers
 - Full Span 24 ft (7.3 m)
 - Mid Span 15.75 ft (4.8 m)
 - Short Span 8.17 ft (2.5 m)
- Winch Drum Rotator Indicator
- Walk-Through Control Station for Easy Bed Access

MINIMUM CHASSIS REQUIREMENTS

Gross vehicle weight rating	60,000 lbs	27,217 kg
Front axle weight rating	20,000 lbs	9,072 kg
Rear axle weight rating	40,000 lbs	18,145 kg
Cab to Axle	190 in	4826 mm
Wheel Base	258 in	6553 mm

Note: Cranes with certain options may require pusher axle to comply with highway regulations.

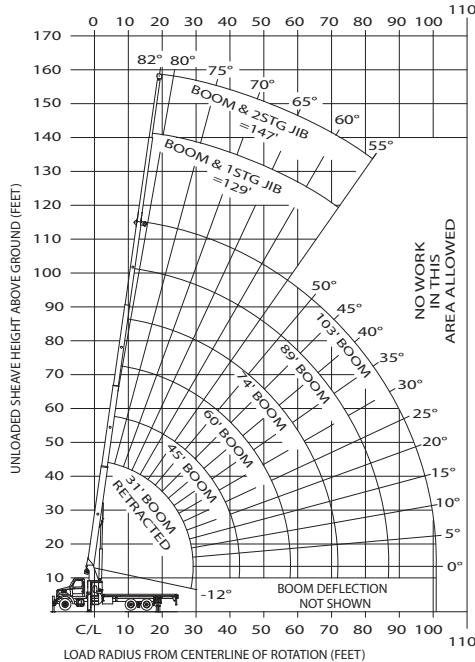
<https://cranemanuals.com>

Altec AC28-103B Capacities



MODEL AC28-103B EXAMPLE CAPACITIES

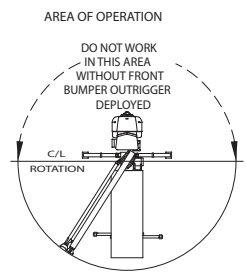
RANGE DIAGRAM - FULL SPAN OUTRIGGERS



BOOM LOAD CAPACITIES IN LBS. WITH FULL SPAN OUTRIGGERS

LOAD RADIUS (FT)	31 FT BOOM		45 FT BOOM		60 FT BOOM		74 FT BOOM		89 FT BOOM		103 FT BOOM			
	LBS	∠	LBS	∠	LBS	∠	LBS	∠	LBS	∠	LBS	∠		
5	79	82°	56000											
8	74	80°	38700	80	27500									
10	70	75°	32200	79	27500									
12	67	70°	27800	76	25500	79	22000							
14	62	65°	24200	73	22500	78	20100	81	18300					
16	60	60°	21500	70	20000	76	18500	79	16600					
18	55	55°	18700	68	18100	74	17000	77	14800	79	14000			
20	51	50°	17000	65	16500	72	15500	75	13850	78	12600	79	10850	
25	34	45°	12500	58	13000	67	12000	71	11500	75	10500	78	9600	
30		40°		50	10500	62	10400	67	9500	72	8800	75	8100	
35		35°		41	8600	56	8300	63	8100	69	7500	72	7200	
40		30°		30	6500	51	7000	60	6500	66	6300	70	6200	
45		25°				44	6050	55	5600	63	5500	67	5400	
50		20°				36	4900	50	4750	59	4700	63	4700	
55		15°				24	3600	45	3950	55	4000	60	4100	
60		10°						38	3300	51	3400	56	3500	
65		5°						31	2700	46	2800	54	3000	
70		0°						22	1850	41	2300	50	2500	
75										36	1900	45	2200	
80										29	1500	41	1800	
85										21	900	36	1400	
90											30	1100	24	800
95												10	500	
100														
0	8500	0	4700	0	2700	0	1500	0	750	0	300	0	300	
	900		650		500		400		350		300		300	

NOTE: RATINGS ABOVE THE HEAVY LINE ARE BASED ON STRUCTURAL COMPETENCE AND NOT ON MACHINE STABILITY



- 360° CAPACITY WORKING AREA AVAILABLE ONLY WITH FRONT BUMPER OUTRIGGER
- DEDUCTIONS FROM RATED LOADS FOR HANDLING DEVICES
- OVERHAUL BALL: 180 LBS
- 1-SHEAVE LOADBLOCK: 230 LBS
- 2-SHEAVE LOADBLOCK: 365 LBS
- 0° BOOM CAPACITIES
- STOWED JIB LOAD DEDUCTIONS

DEPLOYED JIB LOAD CAPACITIES (LBS) FOR ALL BOOM LENGTHS
JIB CAPACITIES ARE FOR FULL SPAN OUTRIGGERS

LOADED BOOM ANGLE	55° *	60°	65°	70°	75°	80°
RETRACTED 26 FT JIB	450	1100	1800	3350	4350	5350
EXTENDED 44 FT JIB	300	900	1550	2050	2550	3150

* DO NOT OPERATE JIB BELOW THIS ANGLE UNLESS BOOM IS FULLY RETRACTED.

OPERATOR AIDS MUST BE IN GOOD OPERATING CONDITION BEFORE OPERATING CRANE. REFER TO OWNERS MANUAL. KEEP AT LEAST 3 WRAPS OF LOADLINE ON DRUM AT ALL TIMES. USE ONLY 9/16" DIAMETER IWRC OR ROTATION RESISTANT WIRE ROPE WITH 37,000 LBS. MIN. BREAKING STRENGTH ON THIS MACHINE.		1 PART LOAD LINE	2 PART LOAD LINE	3 PART LOAD LINE	4 PART LOAD LINE	5 PART LOAD LINE	6 PART LOAD LINE
		LOADS UP TO	LOADS UP TO	LOADS UP TO	LOADS UP TO	LOADS UP TO	LOADS UP TO
IWRC XXIP WIRE ROPE		10,571 LBS.	21,142 LBS.	31,173 LBS.	42,284 LBS.	52,857 LBS.	56,000 LBS.
ROTATION RESISTANT WIRE ROPE		7,400 LBS.	14,800 LBS.	22,200 LBS.	29,600 LBS.	37,000 LBS.	44,400 LBS.
MAXIMUM BOOM LENGTH AT MAXIMUM ELEVATION WITH RIGGING SHOWN TO REACH THE GROUND		103 FT + 44 FT JIB	103 FT BOOM	74 FT BOOM	56 FT BOOM	45 FT BOOM	37 FT BOOM
WINCH		LIFTS AND SPEEDS					
9/16" DIAMETER IWRC XXIP CABLE SUPPLIED	STANDARD VARIABLE CONTROL WINCH LOW SPEED	9840 LBS. 125 FT/MIN	19,680 LBS. 62 FT/MIN	29,520 LBS. 42 FT/MIN	39,360 LBS. 31 FT/MIN	49,200 LBS. 25 FT/MIN	56,000 LBS. 21 FT/MIN
	STANDARD VARIABLE CONTROL WINCH HIGH SPEED	9840 LBS. 218 FT/MIN	19,680 LBS. 109 FT/MIN	29,520 LBS. 73 FT/MIN	39,360 LBS. 55 FT/MIN	49,200 LBS. 44 FT/MIN	56,000 LBS. 36 FT/MIN
ALL WINCH PULLS AND SPEEDS IN THIS CHART ARE SHOWN ON THE 3RD LAYER. WINCH LINE PULLS WOULD INCREASE ON THE FIRST AND SECOND LAYERS. WINCH LINE SPEED WOULD DECREASE ON THE FIRST AND SECOND LAYERS. WINCH LINE PULLS MAY BE LIMITED BY THE WINCH CAPACITY OF 8,350 LBS FULL DRUM OR ANSI CABLE SAFETY LIMITS SHOWN IN CHART FOR IWRC XXIP AND ROTATION RESISTANT WIRE ROPES.							

CAUTION:

- Load ratings shown are maximum allowable loads with the crane mounted on an Altec-approved chassis.
- Loaded boom angles at specified boom lengths give only an approximation of the operating radius. The boom angle before loading should be greater to account for deflections. Do not exceed the operating radius for rated loads.
- When between listed lengths for radii always use the smallest of values shown. Capacities for the 31-foot boom length must only be lifted with boom fully retracted.
- Load ratings are based on freely suspended loads with the crane properly set up on outriggers, with the machine leveled and standing on firm uniform supporting surface.
- Actual working capacities depend on supporting surfaces, wind and other factors affecting stability such as hazardous surroundings, experience of personnel, and proper handling.
- Weights of load block, stowed jib, or other accessories must be deducted from the rated capacities shown.

Altec Cranes are supported by service centers and over 115 mobile service technicians positioned across North America, seven days a week, 24 hours a day.

United States:

Alabama Service Center
1730 Vanderbilt Road
Birmingham, AL 35234

Arizona Service Center
2420 South 16th Avenue
Phoenix, AZ 85007

California Service Center (Northern)
325 Industrial Way
Dixon, CA 95620

California Service Center (Southern)
2882 Pomona Boulevard
Pomona, CA 91766

Colorado Service Center
641 Telluride Street
Aurora, CO 80011

Florida Service Center
2570 Old Okeechobee Road
West Palm Beach, FL 33409

Georgia Service Center
287 First Street
Forest Park, GA 30297

Indiana Service Center
5201 West 84th Street
Indianapolis, IN 46268

Kentucky Service Center
200 Altec Drive
Elizabethtown, KY 42701

Maryland Service Center
1434 Hughes Ford Road
Frederick, MD 21701

Massachusetts Service Center
28 Wales Street
Millbury, MA 01527

Missouri Service Center
2106 S. Riverside Road
St. Joseph, MO 64507

North Carolina Service Center
1550 Aerial Avenue
Creedmoor, NC 27522

Ohio Service Center
1236 Township Road 1175
Ashland, OH 44805

Oregon Service Center
13817 NE Sandy Boulevard
Portland, OR 97230

Pennsylvania Service Center
250 Laird Street
Plains, PA 18705

Texas Service Center
1001 Solon Road
Waxahachie, TX 75156

Virginia Service Center
325 South Center Drive
Daleville, VA 24083

Canada:

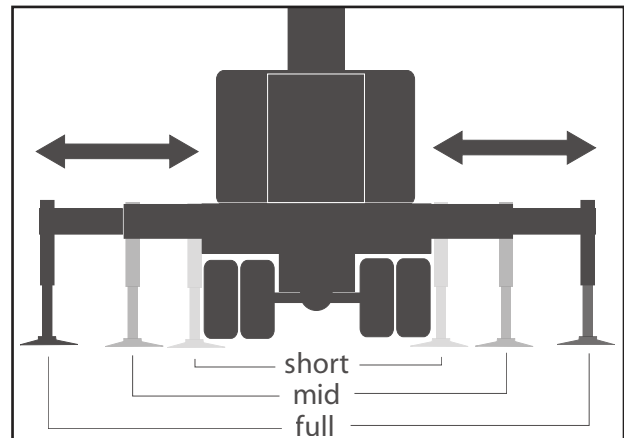
British Columbia Service Center
12352 84th Avenue
Surrey, BC V3W 0J5

Manitoba Service Center
57 Durand Road
Winnipeg, Manitoba R2J 3T1

Ontario Service Center
831 Nipissing Road
Milton, Ontario L9T 4Z4



Vehicle Travel Height of 13.3 ft (4.0 m)



Optional Out-and-Down Outriggers

Altec Industries, Inc.

325 South Center Drive
Daleville, VA 24083
1-540-992-5300