



Model:	Serial No.
--------	------------



**Operation & Maintenance Manual** ALL MATERIAL HANDLING  
ASME B30

- |             |                |
|-------------|----------------|
| CB005 (½t)  | LZ003 (1/4t)   |
| CB010 (1t)  | LZ005 (½t)     |
| CB015 (1½t) | LB&LC008 (¾t)  |
| CB020 (2t)  | LB&LC010 (1t)  |
| CB030 (3t)  | LB&LC015 (1½t) |
| CB050 (5t)  | LC020 (2t)     |
| CB100 (10t) | LB&LC030 (3t)  |
|             | LB&LC060 (6t)  |
|             | LB&LC090 (9t)  |
| TP005 (½t)  | TTP005 (½t)    |
| TP010 (1t)  | TTP010 (1t)    |
| TP020 (2t)  | TTP020 (2t)    |
| TP030 (3t)  | TTP030 (3t)    |
| TP050 (5t)  | TTP050 (5t)    |
| TP100 (10t) |                |
| TG010 (1t)  | TTG010 (1t)    |
| TG020 (2t)  | TTG020 (2t)    |
| TG030 (3t)  | TTG030 (3t)    |
| TG050 (5t)  | TTG050 (5t)    |
| TG100 (10t) |                |
|             | TBC-01 (1t)    |
|             | TBC-02 (2t)    |
|             | TBC-03 (3t)    |
|             | TBC-05 (5t)    |
|             | TBC-10 (10t)   |



**READ THIS MANUAL BEFORE USING THESE PRODUCTS.**  
This manual contains important safety, installation and operation information

**LEA ESTE MANUAL ANTES DE USAR ESTOS PRODUCTOS.**  
Este manual contiene información importante de seguridad, instalación y operación.

**LIRE CE MANUEL AVANT D'UTILISER CES PRODUITS.**

Ce manuel contient des informations importantes relatives à la sécurité, à l'installation et au fonctionnement.

# ALL BADGER HOIST FEATURES

**Low Headroom, Light weight and durable formed steel enclosure** protects from contamination and can be quickly disassembled for fast and easy maintenance. Powder coating and plated finishes on exposed components provide corrosion resistance allowing the hoist to stay in service longer.

**Internal parts are heat treated for strength and reliability** with fully enclosed gearing to protect from contamination. All gears and shafts run on caged roller bearings including the lift wheel which is machined for smooth operation and long life.

**Weston style mechanical load brake** is self adjusting with double pawls, asbestos-free brake discs and is surrounded by an enclosure to limit contamination.

**Drop forged Alloy hooks** are designed to stretch when overloaded before chain failure and are equipped with a heavy duty cast steel safety latch attached by a bolt and lock nut. The top hook mounting articulates to aid in rigging and help insure straight line loading between hooks.

## Grade 80 Alloy Load Chain

**Each hoist is proof tested at 1.5 times the WLL** and shipped with a certification of test matching the individual serial number stamped on the nameplate. The operation and spare parts manual is also supplied in English, French and Spanish.

**Meets ASME B30, OSHA and NASA-STD-8719.9 requirements.**

**Spare parts** are stocked in the USA.



## HAND CHAIN HOIST FEATURE

**Hand chain opening is formed with radius** allowing operation from side or even above, permitting use for lifting or pulling.

**Hand chains** are Zinc Plated.

**Standard stock lifts** of 10, 20 and 30 feet.

Other lift available per customer requirements.

## LEVER CHAIN HOIST FEATURE

**Easy One Hand Operation and Set Up** – When the selector is in neutral and no load is present then free chain mode is entered. The chain can be pulled through the hoist by a pull handle for easy set up and load attachment before engaging the selector for pulling. The pull handle also acts as a chain stop. Short ratchet strokes of a non-slip rubber grip lever and the 360 degree rotation requires minimal space for operation. The pull force to operate may be 20 to 30 % less than others.

**Operation in any orientation** is assured by a fully enclosed horseshoe shape chain guard keeping the load chain in contact with the lift wheel.

**Standard Stock lifts** of 5, 10 and 20 feet.

Other lifts per customer requirements.



This manual provides important information for all personnel involved with the safe installation and operation of these products. Even if you feel you are familiar with this or similar equipment, you should read this manual before operating the product.

We recognize that most companies who use hoists have a safety program in force in their plants. In the event you are aware that some conflict exists between a rule set forth in this publication and a similar rule already set by an individual company or local code, the more stringent of the two should take precedence. Safe Operating Instructions are provided to make an operator aware of unsafe practices to avoid and are not necessarily limited to the following list:

1. Make this manual available to all persons responsible for the installation, operation and maintenance of these products.
2. The supporting structures and load-attaching members used in conjunction with this product must provide an adequate safety factor to handle the rated load, plus the weight of the lifting equipment. This is the customer's responsibility. If in doubt, consult a registered structural engineer.
3. Only allow people, trained in safety and operation of this product, to operate.
4. Only operate if you are physically fit to do so.
5. When a "DO NOT OPERATE" sign is placed on the product, do not operate until the sign has been removed by designated personnel.
6. Before each shift or operation cycle conduct a visual and functional inspection for any evidence of malfunction, maladjustment, damage or excessive wear.
7. Never use if problems are found by inspection.
8. Lubricate regularly.
9. Do not use hoist if hook latch does not function.
10. Never splice a hoist chain by a bolt between links.
11. Never lift loads greater than the rated capacity
12. Never support the load on the tip of the hook.
13. Never force a hook into place by hammering.
14. Never place your hand inside the throat of a hook.
15. Never insert the point of the hook into a chain link.
16. Never use the hoist load chain as a sling.
17. Never run the load chain over a sharp edge.
18. Never operate when the load is not centered. Do not "side pull" or "yard."
19. Never operate a hoist with twisted, kinked or damaged load chain.



20. Never operate hoist if chain jumping, excessive noise, jamming or binding occurs.
21. Be certain the load is properly seated in the hook saddle and the hook latch is engaged.
22. When using multiple hoists to suspend a load, each hoist must have a rated capacity equal to or more than the entire load.
23. Pay attention to the load at all times when operating.
24. Always ensure that you, and all other people, are clear of the path of the load.
25. Never use for lifting or transporting people and never lift a load over people.
26. Do not use a cheater bar or extender handle on lever operated hoist.
27. Do not swing a suspended load.
28. Never weld or cut on a load suspended by the hoist.
29. Never use the hoist chain as a welding electrode.
30. Only operate with manual power.
31. After use, or when in a non-operational mode, hoist should be secured against unauthorized and unwarranted use.
32. Do not leave a load suspended when unattended or not in use.
33. Ensure stops are securely installed at both ends of the beam prior to using a trolley
34. Severe injury can be caused by moving loads suspended by trolleys:
  - Falling under a moving load
  - Being caught between a moving load and an object
  - Tripping over an unseen object while pushing a load. To avoid injury do not pull. Pushing will allow you to stay out of the path of the load and also look in the direction you are moving.

#### STORING

1. Always store in a no load condition.
2. Wipe off all dirt and water and in a dry place.
3. Oil the chain, hook pins and hook latch pins.
4. Before returning hoist to service follow instructions for 'Hoists not in Regular Service' in the

#### TROLLEY INSTALLATION and INITIAL CHECKS

1. Ensure capacity of hoist does not exceed the rated capacity of the trolley assembly.
2. To avoid an unbalanced load, center hanger between trolley plates. Check spacer installation. (Refer to Dwg. T-02)
3. The total clearance between the beam and the trolley wheel flanges is 1/16 to 1/8 in (1.6 to 3.2 mm) maximum per side. (Refer to Dwg. T-02).
4. Trolley wheels ride on the top of the lower flange of the beam.
5. Trolleys have universal wheels for mounting on flat or tapered beams.
6. Visually inspect components for distortion, wear and damage during installation. Replace any item indicating damage, distortion and/or excessive wear.
7. Ensure stops are securely installed at both ends of the beam prior to using trolley
8. After trolley installation ensure the side plates are vertical.
9. With hoist installed, verify that hoist is centered below trolley.
10. To move an unloaded hoist/trolley, push on the hoist load chain.
11. To move a loaded hoist/trolley, push on the load or the hoist load hook shank.
12. Raise a load equal to the capacities of the hoist a few inches (cm) off the floor and test the trolley travel.
13. When operating the trolley keep load as close to the floor as practical.

#### INSPECTION

Frequent and periodic inspections should be performed on equipment in regular service. Frequent inspections are visual examinations performed by operators or service personnel

during routine operation. Periodic inspections are thorough inspections performed by designated personnel trained in inspection and maintenance. Careful inspection on a regular basis will reveal potentially dangerous conditions while still in the early stages, allowing corrective action to be taken before the condition becomes dangerous. Deficiencies revealed through inspection, or noted during operation, must be reported to a designated person. A determination must be made as to whether a deficiency constitutes a safety hazard before resuming operation.

### Records and Reports

A written report of periodic inspections must be maintained listing all points inspected and kept on file where they are readily available for review. Monthly reports should be made on the condition found in frequent inspections. Reports should be dated and signed by the person who performed the inspection.

### Frequent Inspection

On a hoist in continuous service, frequent inspection should be made at the beginning of each shift. In addition, visual inspections should be conducted during regular service for any damage or evidence of malfunction.

1. OPERATION. Check for visual or abnormal noises which could indicate a potential problem. Do not operate a hoist unless the load chain feeds through the hoist and hook block smoothly. Listen for "clicking", binding or malfunctioning. The clicking sound of the pawl on the ratchet gear is normal when a load is being raised. If chain binds, jumps, or is excessively noisy, clean and lubricate the chain. If problem persists, return the hoist to your nearest repair center. Do not operate the hoist until all problems have been corrected. Check that hand chain moves freely and without binding or excessive drag.
2. HOOK LATCH. Check operation of the hook latch. Replace if broken or missing.
3. HOOKS. Check for wear or damage, increased throat width, bent shank or twisting of hook. Replace hooks which exceed the throat opening discard width (15%) shown in Table 1 (ref. Dwg. H-01) or exceed a 10° twist (ref. Dwg. H-01). If the hook latch snaps past the tip of the hook, the hook is sprung and must be replaced. Check hooks swivel easily and smoothly. Repair or lubricate as necessary.
4. CHAIN (ref. Dwg. C-01). Examine each of the links for bending, cracks in weld areas or shoulders, transverse nicks and gouges, weld splatter, corrosion pits, striation (minute parallel lines) and chain wear, including bearing surfaces between chain links. Replace a chain that fails any of the inspections. Check lubrication and lubricate if necessary. See 'Load Chain' under LUBRICATION."
5. LOAD CHAIN REEVING. Make sure welds on standing links are away from load sheave reference (Dwg. C-04). Reinstall chain if necessary. Check that the last link of the load chain is securely connected. Make sure chain is not capsized, twisted or kinked. Adjust as required.

### Periodic Inspection

Frequency of periodic inspection primarily depends on the severity of usage:

NORMAL	HEAVY	SEVERE
yearly	semi-annually	quarterly

Disassembly may be required for HEAVY or SEVERE usage. Keep accumulative written records of periodic inspections to provide a basis for continuing evaluation. Inspect all items in "Frequent Inspection." Also inspect the following:

1. FASTENERS. Check rivets, capscrews, nuts, cotter pins and other fasteners on hooks, hoist body and chain bucket, if used. Replace if missing and tighten or secure if loose.
2. ALL COMPONENTS. Inspect for wear, damage, distortion, deformation and cleanliness. If external evidence indicates the need for additional inspection return the hoist to your nearest service repair center.
3. HOOKS. Inspect hooks for cracks. Use magnetic particle or dye penetrant to check for cracks. Inspect hook retaining parts. Tighten or repair, if necessary. Refer to applicable specifications for additional hook inspection information.
4. CHAIN SHEAVES. Check for damage or excessive wear. If damage or wear is noted, return the hoist to your nearest service repair center.
5. LOAD CHAIN. Measure the chain for stretching by measuring across five link sections all along the chain (ref. Dwg. C-01). When any five links in the working length reach or exceed the discard length shown in Table, replace the entire chain. Always use a genuine AMH replacement chain.
6. BRAKES. Raise a load equal to the rated capacity of the hoist a few centimeters (inches) off the floor. Verify hoist holds the load without drift. If drift occurs, contact your nearest service repair center for repair information.
7. SUPPORTING STRUCTURE. If a permanent structure is used inspect for continued ability to support load.
8. LABELS AND TAGS. Check for presence and legibility. Replace if necessary.
9. END ANCHOR. Ensure end anchor on hoist is installed and unbent. Repair if damaged, replace if missing.

#### HOISTS NOT IN REGULAR SERVICE

1. Hoists which have been idle for a period of one month or more, but less than one year should be given an inspection conforming to the requirements of "Frequent Inspection" before being placed in service.
2. Hoists which have been idle for a period of more than one year should be given a complete inspection conforming to the requirements of "Periodic Inspection" before being placed in service.
3. Standby hoists should be inspected at least semi-annually in accordance with the requirements of "Frequent Inspection." In abnormal operating conditions equipment should be inspected at shorter intervals.

#### MAINTENANCE

1. Proper use, inspections and maintenance will increase the life and usefulness of your AMH equipment.
2. Never perform maintenance while supporting a load.
3. During assembly lubricate gears, nuts, bolts and all machined threads with applicable lubricants. Use of antiseize compound and/or thread lubricant on capscrew and nut threaded areas prevents corrosion and allows for ease of disassembly of component.
4. Hand Chain Adjustment or replacement. (Refer to Dwg. C-02 and C-03) When cutting the weld side of a hand chain link, do not cut or nick the opposite side. A damaged link must be replaced to prevent premature failure. A falling hand chain can injure personnel.
  - To create a "C" link, cut the welded side of the link with a hack saw. (Refer to Dwg. C-02) Clamp one side of the "C" link in a vise and bend it open by using pliers to grip the exposed part of the link. (Refer to Dwg. C-03)
  - If you are replacing the hand chain, disconnect it at the "C" link. Cut a length of chain 2 times the required drop plus 1 foot (30 cm). To prevent a twist maintain an

even number of links. Run the chain around the hand wheel. Connect the hand chain ends with bent open “C” link then bend shut.

- Make sure the hand chain is not twisted. To untwist, open the “C” link and remove one link.
5. Test before returning the product to service after performing any maintenance.

## LUBRICATION

### General

The use of thread lubricant or anti-seize compound is recommended for threaded components. Unless otherwise stated, remove old lubricant, clean the part with an acid free solvent and apply a new coating of lubricant to the part before assembly.

### Gears

Unscrew nuts on the opposite side of the hoist as the hand chain, and remove gear cover and support plate. Remove old grease and replace with new. For temperatures -29° to 10° C (-20° to 50° F) use EP 1 grease or equivalent. For temperatures -1° to 49° C (30° to 120° F) use EP 2 grease or equivalent.

### Trolley

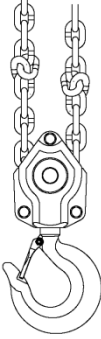
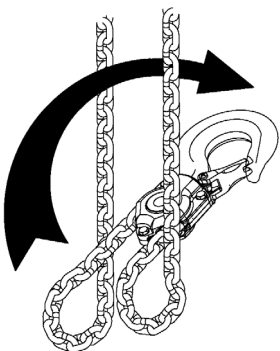
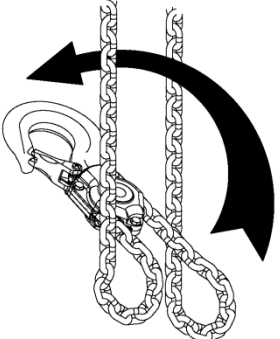
- Wheel bearings are sealed and require no lubrication. If trolley wheel rotation is rough or noisy, replace trolley wheel bearing.
- Geared Trolley Pinion Shaft pinion should be lubricated before installing in side plate with EP 2 grease.
- Geared Trolley Wheels require EP 2 grease Brushed on exposed wheel and pinion teeth. Apply as necessary to keep teeth covered. If the grease becomes contaminated clean and brush on new.

### Load Chain

1. Lubricate each link of the load chain weekly with a SAE 50 to 90 EP oil. Apply new lubricant over existing layer.
2. In severe applications or corrosive environment, lubricate more frequently than normal.
3. Lubricate hook and hook latch pivot points with the same lubricant used on the load chain.
4. To remove rust or abrasive dust build-up, clean chain with acid free solvent. After cleaning, lubricate the chain.

## TROUBLE SHOOTING FOR HOIST

SYMPTOM	CAUSE	CURE
Will not ratchet up but chain can be pulled through by hand without load	Operator continues to crank the lever in the down direction, when the tail chain ring is snagged or is stopped against the hoist frame.	If a significant load is attached, and lifted the brake will recover. Or, with no load, by pulling the chain through the hoist until the hook is against the frame, then cranking the lever in the up direction.
Will ratchet up but chain cannot be pulled through by hand without load	Hoist is relieved of the load by some other means than lowering with the hoist, or if abused by pulling the lower	Turn the directional lever to the “D” down position and pull sharply on the lever handle or re-apply a sufficient load then crank the lever down.

	hook block tightly against the hoist frame.	
Hoist will not lift or lower at no load	Brake is not set  Lever moves without clicking, chain does not continue to move in or out	See operating and inspection  There must be some resistance to cause the lever to ratchet. Hold or pull the slack chain by hand while ratcheting the lever. Or, use the free chain mode to easily position the chain.
Free chain mode does not allow chain to be pulled freely	Chain pulled too fast or accelerated too quickly causing the brake to set	Reset the hand wheel (27) and pull load chain with less force
Hoist binds internally while lifting or lowering	Gearing improperly installed  Twisted or kinked chain was allowed to ingested into the hoist	Requires service for repair. Remove gear cover and inspect for proper gear timing per instruction and illustration page 39 in this manual.  Requires service for repair by disassembly to inspect for damage
  Twisted Chain on multiple part hoist	  Capsized or flipped lower hook	  Flip Lower hook block
All other symptoms	Unknown	Consult qualified service



## LIFETIME LIMITED WARRANTY

We make every effort to assure that our products meet high quality and durability standards and we warrant to the original consumer of the product that each is free from defects in material and workmanship as follows:

This warranty does not apply to defects due directly or indirectly to misuse, negligence or accidents, repairs or alterations outside our facilities or to a lack of maintenance. The warranty begins with the date of purchased from an authorized AMH dealer by the original user. Please retain your dated sales receipt as proof of purchase to validate the warranty. Except as stated herein, any implied warranties or merchantability and fitness are excluded. AMH shall in no event be liable for death, injuries to persons or property or for incidental, contingent, special or consequential damages arising from the use of our products. Some states do not allow the exclusions or limitation of incidental or consequential damages; hence the above limitations or exclusions may not apply to you. To take advantage of this warranty, the product must be returned for examination, postage prepaid to an authorized service station. Proof of purchase date and an explanation of the complaint must accompany the product. No returns will be accepted without prior authorization obtained through an AMH dealer. If our inspection discloses a manufacturing defect we will either repair or replace the product or refund the purchase price, if we cannot quickly provide a repair or replacement, if you are willing to accept such a refund. We will return repaired products or the replacement at our expense, but if we find that there is no defect, or that the defect resulted from causes not within the scope of this warranty, then the user must bear the cost of returning the product. This warranty gives you specific legal rights, and you may also have other rights that vary from state to state.

Typical issues caused by misuse that are not covered by warranty:

- Bent, stretched or broken hooks
- Missing or sprung hook latch
- Bent or damaged lever
- Missing parts
- Corrosion
- Worn, deformed or stretched load chain
- Damage to chain guides and other parts from not allowing the hoist to form a straight line between hooks. Example is binding the hoist function by contact of the body with a structure.
- Wear from normal use.

Specifications and dimensions listed on the AMH website or in printed materials are provided as general information and are not binding. AMH reserves the right to alter equipment, parts, fittings, or accessories without prior notice for any reason.

This manual and other product information is available from:

[www.allmaterialhandling.com](http://www.allmaterialhandling.com)

Este manual provee la información más importante para todo el personal implicado en la seguridad de la instalación y operación de estos equipos. Aunque Ud. pueda estar familiarizado con este o equipos similares, Ud. deberá de leer este manual antes de operar el equipo.

Reconocemos que la mayoría de las compañías que utilizan equipos de izamiento tienen un programa de seguridad en vigor en sus plantas. En la eventualidad que exista un conflicto entre las reglas indicadas en esta publicación y alguna regla similar ya fijada por su empresa o código local, la más rigurosa entre ellas deberá tomar precedente. Estas instrucciones de operación con normas de seguridad se proporcionan al operador con el propósito de hacer de su conocimiento y evitar prácticas inseguras las cuales no se limitan necesariamente a las indicadas en la siguiente lista:

1. Ponga este manual a disposición de todas las personas responsables de la instalación, operación y del mantenimiento de estos productos.
2. Las estructuras de soporte y carga-conectadas a los componentes usados conjuntamente con este producto deben proporcionar un factor de seguridad adecuado para manejar la carga clasificada, más el peso del equipo de elevación. Ésta es la responsabilidad del cliente. En caso de duda, consulte con un ingeniero estructural registrado.
3. Solo permita operar este equipo por personal autorizado, el cual ha sido entrenado en la seguridad y operación del producto.
4. Opere este equipo, solo si Ud. esta capacitado físicamente para hacerlo.
5. Cuando vea un aviso de "NO OPERAR" colocado sobre el equipo, favor "No Operarlo" hasta que el aviso ha sido removido por personal técnico autorizado.
6. Inspeccione visual y físicamente por cualquiera evidencia de daños, desgaste excesivo, malfuncionamiento, desajustes, etc.; antes de operar el equipo y/o al comenzar cada turno / ciclo de trabajo
7. Nunca operar si encuentra problemas durante la inspección anterior.
8. Lubrique regularmente.
9. No utilice el equipo si el pestillo de seguridad del gancho no funciona.
10. Nunca empalme una cadena de izar con un perno entre los eslabones.
11. Nunca levante cargas mayores a la capacidad clasificada del equipo.
12. Nunca apoye la carga en la punta del gancho.
13. Nunca fuerce un gancho en su lugar martillándolo.
14. Nunca ponga su mano dentro de la garganta del gancho.



Español

15. Nunca inserte la punta del gancho en un eslabón de la cadena.
16. Nunca utilice la cadena de la carga del equipo como eslinga.
17. Nunca opere la cadena de la carga sobre un borde cortante.
18. Nunca opere cuando la carga no esta centrada. "No tirar de lado" y/o efectuar estirones con el equipo y/o la carga.
19. Nunca opere el equipo con la cadena de carga torcida, enroscada o dañada.
20. Nunca opere el equipo si la cadena de carga esta atorada o atada, saltando sobre la corona/piñon del equipo, existe excesivo ruido de cadena,
21. Esté seguro que la carga está asentada correctamente en la silla de montar del gancho y el pestillo de seguridad del gancho está contratado.
22. Al usar múltiples equipos de izar para suspender carga, cada equipo debe tener la capacidad clasificada igual o mayor a la carga total.
23. Preste atención a la carga todo el tiempo que este operando el equipo.
24. Asegúrese siempre de que usted y el resto del personal en el área de operación estén fuera del camino de la trayectoria de la carga.
25. Nunca utilice el equipo para levantar o transportar a personas y nunca levante o transporte carga sobre el personal.
26. No utilice una barra de extensión como palanca o manija de suplemento del actuador en la operación de izar del equipo.
27. No haga pivotar / girar la carga suspendida.
28. Nunca suelde o corte en una carga suspendida por el equipo.
29. Nunca utilice la cadena del equipo como electrodo de soldadura.
30. Solamente opere el equipo manualmente.
31. El uso posterior, o cuando en un estado no-operacional, el equipo se debe asegurar contra el uso desautorizado e injustificable.
32. No deje la carga suspendida cuando el equipo no esta siendo atendido o no se encuentra en uso.
33. Cuando el equipo es suspendido de un trole cargador, asegure los limitadores de carrera / paradas están instaladas con seguridad en ambos extremos de la viga antes de usar el equipo.
34. Lesiones severas pueden ser causadas con él moviendo de cargas suspendidas por troles-carretillas:
  - El caerse bajo una carga en movimiento.
  - Quedar atrapado entre una carga en movimiento y un objeto.
  - Tropezarse con algún objeto no a la vista mientras se empuja la carga, para evitar alguna lesión no tire. El empujar permitirá que usted permanezca fuera de la trayectoria de la carga y también podrá mirar en la dirección que usted se está moviendo.

#### ALMACENAMIENTO

1. Siempre almacén en una condición sin carga.
2. Limpie toda la suciedad, el agua y en un lugar seco.
3. Aceite la cadena, los pasadores del gancho y del pestillo de seguridad del gancho.
4. Antes de retornar el equipo a servicio, siga las instrucciones para los "equipos fuera servicio regular".

#### INSTALACIÓN DE TROLES & CHEQUEOS INICIALES

1. Asegurarse que la capacidad del equipo no excede la capacidad clasificada del trole.
2. Para evitar una carga desequilibrada, centre los soportes entre las placas del trole. Compruebe la instalación del espaciador. (Referirse al Plano: Dwg. T-02)
3. La separación total entre la viga y los rebordes de la rueda del trole es 1/16 a 1/8 pulgadas (1.6 a 3.2 milímetros) máximo por lado. (Referirse al plano: Dwg. T-02)

4. Las ruedas del trole se montan en el reborde más bajo de la viga.
5. Los Troles tienen ruedas universales para permitir el montaje en vigas planas o afiladas.
6. Examine visualmente los componentes para saber si hay distorsión, desgastes y daños durante la instalación. Sustituya cualquier artículo que se encuentre dañado, distorsionado y/o en desgaste excesivo.
7. Asegúrese que los limitadores de carrera están seguramente anclados en ambos lados de la viga antes de utilizar el trole de carga.
8. Una vez instalado el trole, asegúrese que los platos laterales están colocados verticalmente.
9. Con el polipasto instalado, verifique que la unidad se encuentra centrada en el trole.
10. Para mover y descargar el polipasto / trole, favor empujar la cadena de carga.
11. Para mover un polipasto / trole cargado, favor empujar sobre la carga o sobre el cuerpo del gancho de carga.
12. Usando el polipasto, ices una carga igual a la capacidad del polipasto algunas pulgadas (centímetros) del piso y pruebe la translación del trole.
13. Cuando opere el polipasto / trole cargado, mantenga la carga lo mas cerca del piso posible.

## INSPECCION

Frecuente y periódicamente se deben realizar inspecciones en equipos que regularmente están operando y/o en servicio. Inspecciones frecuentes son efectuadas visualmente por todo personal autorizado a operar los equipos o por personal de servicio durante operaciones de rutina. Inspecciones periódicas son inspecciones más rigurosas efectuadas por personal autorizado y entrenado para efectuar inspecciones y mantenimiento. Inspecciones cuidadosas efectuadas regularmente deben revelar la potencial condición de peligro es su etapa prematura, este proceso permitirá tomar acciones correctivas antes que la condición se convierta en un riesgo y/o peligro operacional. Deficiencias reveladas durante el proceso de inspección deberán ser reportadas al personal autorizado de inspección y mantenimiento. Se deberá determinar si las deficiencias constituye una condición de peligro antes de resumir la operación.

### Expedientes y Reportes

Un reporte escrito de inspecciones periódicas debe ser mantenido listando todos los puntos de la inspección y guardados en archivos de fácil acceso para su revisión.

Reportes mensuales deben hacerse sobre las condiciones encontradas en las inspecciones frecuentes. Los reportes deben de ser fechados y firmados por la persona que efectuó la inspección.

### Inspecciones Frecuentes

En polipastos de servicio continuo, inspecciones frecuentes deben efectuarse al comienzo de cada turno de trabajo. Adicionalmente, inspecciones visuales deben efectuarse durante intervalos de servicio regular para identificar cualquier daño o evidencia de malfuncionamiento.

- 1. OPERACIÓN** – Este atento a ruidos anormales y chequear visualmente por señales que podrían indicar un potencial problema. No opere el polipasto a menos que la cadena de carga pase por la corona/piñon del polipasto y del cuerpo del gancho de carga fácilmente. Escuche por ruidos de chasquidos, de la cadena trabarse o malfuncionamiento del polipasto. El sonido de chasquido del movimiento de rueda dentada y trinquete producido por la cadena de carga sobre la corona / piñon del polipasto es normal cuando la carga esta siendo levantada. Si la cadena de carga se traba, salta o produce ruidos excesivos, limpie y lubrique la cadena. Si el problema persiste, retorne el polipasto a su centro de servicio más cercano. Favor “No Operar” el polipasto hasta que todos los problemas se han solucionado. Inspeccione que a cadena manual se mueva libremente y sin ningún tipo de traba o resistencia excesiva.
- 2. Pestillo del Gancho** – Inspeccione la operación del pestillo del gancho. Reemplace si esta dañado, roto o faltante.
- 3. Ganchos** – Inspeccione por desgaste prematuro o si esta dañado, aumento en el diámetro de la apertura original del gancho, cuerpo doblado o torcido. Reemplace el gancho si la apertura actual excede por 15% la original indicada en la Tabla 1. (ref. Dwg. H-01) o la torcida excede en un 10% el diseño original (ref. Dwg. H-01). Si la pestaña del gancho se traslada sobre la punta del gancho, este deberá ser reemplazado. Compruebe los ganchos giran sobre su eje fácil y suavemente. Repare y lubrique cuanto sea necesario.
- 4. Cadena (ref. Drw. C-01)** – Examine cada eslabón de la cadena por doblajes, grietas en el área de soldadura, rasguños transversales, salpicadura de la soldadura, hoyos corroídos, estrías (líneas paralelas minuciosas) y desgaste de la cadena incluyendo las áreas de contacto entre los eslabones de la cadena. Reemplace la cadena que no pase cualquiera inspección. Compruebe la lubricación y lubrique en caso de necesidad. Mire la “Cadena de Carga” bajo la sección de Lubricación.

- Laboreo de la cadena manual.** Asegúrese de que las soldaduras en los enlaces de pie están lejos de carga de referencia de la polea (Dwg. C-04). Vuelva a instalar la cadena si es necesario. Compruebe que el último eslabón de la cadena de carga esté bien afianzado. Cerciórese de que la cadena no está al revés, retorcida ni angulada. Ajuste según sea necesario

### Inspecciones Periódicas:

Las frecuencias de las inspecciones periódicas dependerán primeramente de cuan severo o riguroso es el uso del equipo:

<b>Normal Anualmente</b>	<b>Pesada Semestralmente</b>	<b>Severas/Súper Pesada Trimestralmente</b>
------------------------------	----------------------------------	---

Desmontaje del equipo podría ser requerido para el uso pesado y severo. Mantenga Pitágoras y/o expedientes acumulativos de las inspecciones periódicas para proveer bases para continuas evaluaciones de del equipo. Examine todos los artículos que requieran "Inspecciones Frecuentes". También inspeccione lo siguiente:

- SUJETADORES** - Compruebe el uso de los remaches, tornillos roscados, tuercas, chavetas y otros sujetadores en los ganchos, cuerpo del polipasto y contenedor de la cadena. Reemplazar los que no encuentre, enroscar, apretar y/o asegurar los que estén sueltos.
- TODOS LOS COMPONENTES** - Inspeccionar por desgaste prematuro, daños, distorsiones, deformaciones y limpieza. Si existen evidencias externas, esto significa la necesidad de efectuar inspecciones adicionales. Retorne el polipasto a su centro de servicio autorizado más cercano.
- GANCHOS** – Inspeccione los ganchos para ver si hay grietas. Utilice partículas magnéticas o tinte penetrador para comprobar si hay grietas. Inspeccionad los sujetadores del gancho. Apriete o repare si fuese necesario. Para información adicional sobre la inspección de los ganchos referirse a las especificaciones que aplican a ellos.
- POLEAS DE LA CADENA** – Inspeccione por danos y/o desgastes excesivos. Si observa daños o desgastes prematuros, lleve la unidad a su centro de servicio autorizado más cercano.
- CADENA DE CARGA** – Medir el estiramiento de la cadena utilizando secciones de cinco eslabones a lo largo de la cadena (ref. Dwg. C-01). Cuando cualquiera de las secciones de cinco eslabones se sobrepasan o exceden el largo indicado en la tabla, reemplazar toda la cadena. "Siempre utilizar Partes Genuinas y Originales de AMH al reemplazar la cadena"
- FRENOS** – Ice una carga igual a la capacidad clasificada del polipasto unos centímetros (pulgadas) del piso. Verifique que el polipasto sostiene la carga sin deslice. Si la carga se desliza, retorne el polipasto o contacte su centro de servicio autorizado más cercano para obtener mayor información sobre el problema.
- ESTRUCTURAS DE SOPORTE** - Si una estructura permanente es utilizada, inspeccionar la capacidad de la estructura de mantener y/o soportar la carga.
- ETIQUETAS Y RÓTULOS** - Compruebe la existencia y legibilidad de los rótulos y/o etiquetas que identifican la información de seguridad en el polipasto. Reemplazar de ser necesario.
- ANCLA TERMINAL** - Asegurarse que el ancla terminal en el extremo del polipasto esta instalada correctamente y no se encuentra torcida. Reparar si esta dañada y/o reemplazar si no se encuentra instalada.

## POLIPASTOS EN SERVICIOS NO REGULARES O DE POCO USO

1. Polipastos que no han estado en servicio al menos por un mes o más pero dentro de un periodo de doce meses, deberán ser sometidos a inspecciones de acuerdo a los requerimientos de “Inspecciones Frecuentes” antes de colocarlos en servicio.
2. Polipastos que no han estado en servicio por periodos de un año o más, deberán ser inspeccionados completamente conforme a los requerimientos de “Inspecciones Periódicas” antes de colocarlos en servicio.
3. Polipastos en Servicio de Emergencia (standby) deberán de ser inspeccionados al menos semestralmente y de acuerdo con los requerimientos de “Inspecciones Frecuentes”. En caso de estar asignados a prestar servicio en condiciones de operaciones no programadas, los polipastos deberán ser inspeccionados con intervalos de tiempos más cortos al semestre.

### Mantenimiento

1. El uso apropiado, inspecciones y mantenimiento aumentaran la vida útil de su equipo AMH
2. Nunca efectuar mantenimiento al equipo mientras el polipasto esta en servicio.
3. Durante el ensamble del equipo, lubrique los engranajes, las tuercas, los pernos y todos los hilos de rosca trabajados a maquina con sus respectivos lubricantes recomendados. El uso de lubricantes y/o compuestos para tratamientos anticorrosivos aplicados en el área los hilos de las tuercas y pernos previene la corrosión y facilita el desarme de los componentes del equipo.
4. La Cadena de Control – Ajustar o Reemplazar (Referirse al Plano Dwg. C-02 y C-03)  
Cuando corte el lado de la soldadura en uno de los eslabones de la cadena de control, no corte ni melle el lado opuesto. Un eslabón dañado debe ser reemplazado para prevenir fallas prematuras.
  - Para crear un eslabón “C”, corte el lado de la soldadura en el eslabón con una segueta o sierra para metales. (Referirse al plano Dwg C-02) Fije un lado del eslabón “C” en una prensa de banco y dóblelo abierto usando un alicate para agarrar el área expuesta del eslabón. (Referirse al plano Dwg C-03)
  - Si Usted esta reemplazando la cadena de control (mano), desconéctela en el eslabón “C”. Corte una longitud de la cadena 2 veces la altura requerida más 1 pie (30 centímetros). Para prevenir doblajes de la cadena de control, mantenga un número par de eslabones. Pase la cadena por la corona de control (mano). Conecte los extremos de la cadena de control (mano) en el doblado abierto eslabón “C” y dóblelo cerrado.
  - Asegurarse que la cadena de control no se encuentra doblada. Para desdoblarla, abra el eslabón “C” y retire un eslabón.
5. Siempre compruebe que el polipasto esta funcionando correctamente después de haberle efectuado mantenimiento.

### LUBRICACIÓN

#### General

El uso de lubricantes y/o compuestos para tratamientos anticorrosivos es recomendable para aplicarlos en el área los hilos de juntas roscadas. A menos que se indique lo contrario, remueva el lubricante viejo, limpie la parte con algún ácido libre de solventes y aplique una cobertura nueva de lubricante en la parte antes del ensamble.

## Engranajes

Desatornille las tuercas en el lado opuesto a la cadena de control (mano) del polipasto, y remueva la tapa de los engranajes y el plato soporte. Remueva la grasa vieja y replácela con grasa nueva. Para temperaturas de 1° a 49° C (30° a 120° F) use grasa tipo EP 2 o su equivalente.

## Carro de Translación (Trolley)

- Los rodamientos / valeros o cojinetes de las ruedas son sellados y no requieren de lubricación. Si la rotación del carro es difícil o efectúa mucho ruido, reemplace los rodamientos / valeros o cojinetes de las ruedas del carro.
- El Piñón Engranado del eje del piñón del Carro deberá ser lubricado con grasa EP 2 o su equivalente antes de instalar los platos laterales.
- Las Ruedas Engranadas del Carro de Translación requieren la grasa EP 2 (o su equivalente) cepillados en los dientes de los engranajes expuestos entre la corona y los dientes del piñón. Aplique lo que sea necesario para mantener los dientes cubiertos. Si la grasa llegase a contaminarse, limpie y cepille grasa nueva.


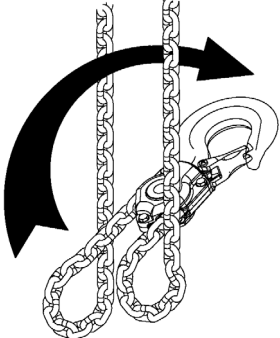
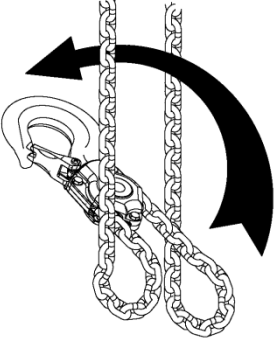
## Cadena de Carga

1. Lubrique cada eslabón de la cadena de carga semanalmente con aceite SAE 50 a 90 EP o su equivalente. Siempre lubrique los eslabones sobre la capa de lubricante anterior.
2. En aplicaciones severas o ambientes corrosivos, lubrique más frecuente que lo normal.
3. Para remover corrosión y/o la acumulación de polvo abrasivo, limpie la cadena con ácido libre de solventes. Después de limpiarlo, lubrique la cadena.

## RESOLUCIÓN DE PROBLEMAS DE POLIPASTOS

SÍNTOMA	CAUSA	CURAR
No se puede subir la cadena con el trinquete, pero se puede mover la cadena con la mano sin carga.	El perador continúa girando la palanca en la dirección hacia abajo, cuando el anillo de la cola de cadena se enganchó o se detiene contra el marco del polipasto.	Si se adjunta una carga significativa, y levantado el freno se recuperará O, sin carga, tirando de la cadena a través del polipasto hasta que el gancho es contra el marco, a continuación, hacer girar la palanca en la dirección hacia arriba.
Es posible subir la cadena con el trinquete, pero no se puede mover la cadena con la mano sin carga.	El polipasto se alivia de la carga por otros medios que bajando el elevador, o si se abusa tirando del gancho inferior firmemente contra el marco polipasto.	Gire la palanca direccional en la posición hacia abajo y tire con fuerza el mango de la palanca o volver a aplicar una carga suficiente y girar la palanca hacia abajo.



<p>El polipasto no se levanta ni desciende sin carga</p>	<p>El freno no esta puesto</p> <p>La palanca se mueve sin hacer clic, la cadena no se mueve hacia adentro o hacia afuera</p>	<p>Ver funcionamiento e inspección</p> <p>Debe haber alguna resistencia para hacer que la palanca se enganche. Sostenga o jale la cadena floja con la mano mientras trincha la palanca. O, use el modo de cadena libre para colocar fácilmente la cadena.</p>
<p>El modo de cadena libre no permite que la cadena se tire libremente</p>	<p>La cadena tiró demasiado rápido o aceleró demasiado rápido, lo que provocó que el freno se activara</p>	<p>Reinicie el volante (27) y tire de la cadena de carga con menos fuerza</p>
<p>El polipasto se atas internamente mientras se levanta o se baja</p>	<p>Engranaje instalado incorrectamente</p> <p>La cadena torcida o retorcida se permitió ingerir en el polipasto</p>	<p>Requiere servicio de reparación. Retire la cubierta del engranaje e inspeccione la sincronización de engranajes adecuada según las instrucciones y la ilustración página 39 de este manual</p> <p>Requiere servicio de reparación por desmontaje para inspeccionar daños</p>
 <p>Cadena retorcida en polipasto de piezas múltiples</p>	 <p>Gancho inferior encapsulado o volteado</p>	 <p>Gire el bloque de gancho inferior</p>
<p>Todos los otros síntomas</p>	<p>desconocido</p>	<p>Consulte cualificado</p>

## GARANTÍA LIMITADA DE POR VIDA

Hacemos todos los esfuerzos posibles para garantizar que nuestros productos cumplan con los estándares de alta calidad y durabilidad, y garantizamos al consumidor original del producto que cada uno de ellos está libre de defectos de materiales y mano de obra de la siguiente manera:

Esta garantía no se aplica a defectos debidos directa o indirectamente a mal uso, negligencia o accidentes, reparaciones o alteraciones fuera de nuestras instalaciones o a falta de mantenimiento. La garantía comienza con la fecha de compra de un distribuidor AMH autorizado por parte del usuario original. Conserve su recibo de compra con fecha como prueba de compra para validar la garantía. A excepción de lo establecido en este documento, se excluyen todas las garantías implícitas de comerciabilidad y aptitud. AMH no será responsable en ningún caso por muerte, lesiones a personas o propiedad o por daños incidentales, contingentes, especiales o consecuentes que surjan del uso de nuestros productos. Algunos estados no permiten exclusiones o limitación de daños incidentales o consecuentes; por lo tanto, las limitaciones o exclusiones anteriores pueden no aplicarse a usted. Para aprovechar esta garantía, el producto debe devolverse para su examen, con franqueo prepago a una estación de servicio autorizada. La prueba de la fecha de compra y una explicación de la queja deben acompañar al producto. No se aceptarán devoluciones sin la autorización previa obtenida a través de un distribuidor de AMH. Si nuestra inspección revela un defecto de fabricación, reparará o reemplazará el producto o reembolsará el precio de compra, si no podemos proporcionarle una reparación o reemplazo rápidamente, si está dispuesto a aceptar dicho reembolso. Devolveremos los productos reparados o el reemplazo a cargo nuestro, pero si descubrimos que no hay ningún defecto o que el defecto se debió a causas que no están dentro del alcance de esta garantía, entonces el usuario debe asumir el costo de devolución del producto. Esta garantía le otorga derechos legales específicos, y también puede tener otros derechos que varían de estado a estado.

Problemas típicos causados por el mal uso que no están cubiertos por la garantía:

- Ganchos doblados, estirados o rotos
- Pestillo de gancho perdido o saltado
- Palanca doblada o dañada
- Partes faltantes
- Corrosión
- Cadena de carga desgastada, deformada o estirada
- Daño a las guías de la cadena y otras partes por no permitir que el polipasto forme una línea recta entre los ganchos. El ejemplo vincula la función de elevación mediante el contacto del cuerpo con una estructura.
- Desgaste por uso normal.

Las especificaciones y dimensiones enumeradas en el sitio web de AMH o en materiales impresos se proporcionan como información general y no son vinculantes. AMH se reserva el derecho de alterar equipos, piezas, o accesorios sin previo aviso por cualquier motivo.

Este manual y otra información del producto están disponibles en:

[www.allmaterialhandling.com](http://www.allmaterialhandling.com)

Ce manuel fournit des informations importantes pour tout le personnel impliqué dans l'installation et l'opération sécuritaire de ces produits. Même si vous pensez que vous êtes au courant des équipements semblable, vous devriez lire ce manuel avant d'utiliser le produit.

Nous espérons que la plupart des compagnies qui utilisent des palans ont un programme de sûreté en vigueur à leurs usines. Si un conflit existe entre une règle déterminée de cette publication et une règle semblable déjà réglée par une compagnie individuelle ou un code local, le plus rigoureux des deux devra avoir la priorité. Des consignes d'utilisation sûres sont fournies pour mettre au courant un opérateur des pratiques peu sûres à éviter et ne sont pas nécessairement limitées à la liste suivante:

Rendre ce manuel disponible à toutes les personnes chargées de l'installation, de l'opération et de l'entretien de ces produits.

1. Les structures porteuses et les membres de charge-fixation utilisés en même temps que ce produit doivent fournir un facteur de sûreté proportionné pour manipuler la charge évaluée, plus le poids de l'équipement de levage. C'est la responsabilité du client. En cas de doute, consulter un ingénieur en structure.
2. Permettre seulement l'utilisation aux personnes qualifiées.
3. Fonctionner seulement si vous êtes physiquement adaptés pour le faire.
4. Quand le signe « NE PAS FONCTIONNER » est placé sur le produit, ceci indique que le produit ne fonctionne pas jusqu'à ce que le signe ait été enlevé par le personnel qualifié.
5. Avant chaque utilisation, une inspection visuelle et fonctionnelle doit être faite afin de vérifier tout défaut de fonctionnement, de dérèglement, de dommages ou d'usage excessif.
6. Ne jamais employer si des problèmes sont trouvés suite à une inspection.
7. Lubrifier régulièrement.
8. Ne pas utiliser le palan si le verrou du crochet ne fonctionne pas.
9. Ne jamais épisser une chaîne de palan avec un boulon entre les liens.
10. Ne jamais soulever les charges plus grandes que la capacité évaluée
11. Ne jamais soutenir la charge sur le bout du crochet.
12. Ne jamais forcer un crochet dans l'endroit par le martèlement.
13. Ne jamais placer votre main à l'intérieur de la gorge d'un crochet
14. Ne jamais insérer le point du crochet dans un maillon de chaîne.
15. Ne jamais employer la chaîne de charge de palan comme bride.
16. Ne jamais faire courir la chaîne de charge au-dessus d'un bord pointu.
17. Ne jamais faire fonctionner quand la charge n'est pas centrée.
18. Ne jamais actionner un palan avec la chaîne torsadée, nouée ou endommagée.
19. Ne jamais actionner le palan si le bruit de la chaîne est excessif, bloqué ou lié.



20. Être certain que la charge est correctement posée dans la selle du crochet et le verrou du crochet est engagé.
21. À l'aide des palans multiple, pour suspendre une charge, chaque palan doit avoir une capacité évaluée égale ou plus qu'à la charge entière.
22. Prêter attention à la charge à tout moment lorsqu'en fonction.
23. Toujours s'assurer que le chemin ou l'endroit est dégagés lors du passage de la charge.
24. Ne jamais employer pour soulever ou transporter des personnes et ne jamais soulever une charge au-dessus des personnes.
25. Ne pas utiliser une poignée de barre ou d'unité d'extension de tricheur sur le palan pour actionnée le levier.
26. Ne pas balancer une charge suspendue.
27. Ne jamais souder ou couper sur une charge suspendue par le palan.
28. Ne jamais employer la chaîne de palan comme électrode de soudure.
29. Fonctionner seulement avec la puissance manuelle.
30. Après utilisation, ou quand en mode non-opérationnel, le palan devrait être placé dans un endroit sécurisé.
31. Ne pas laisser une charge suspendue et sans surveillance.
32. S'assurer que les arrêts sont solidement installés aux deux extrémités du faisceau avant d'utiliser un chariot
33. Des dommages graves peuvent être provoqués en déplaçant des charges suspendues des chariots :
  - Tombant sous une charge mobile
  - Étant attrapé entre une charge mobile et un objet
  - Se déclenchant au-dessus d'un objet invisible tout en poussant une charge. Pour éviter des dommages ne pas tirer. La poussée te permettra de rester hors du chemin de la charge et de regarder également dans la direction que vous vous déplacez.

#### STOCKANT

1. En magasin, placer en condition de repos.
2. Effacer toutes les saletés et eau et entreposer dans un endroit sec.
3. Huiler la chaîne, les goupilles du crochet et les goupilles de verrou du crochet.
4. Avant de renvoyer le palan en service, suivre les instructions pour les palans dans la section "pas dans le service régulier".

#### CONTRÔLES D'INSTALLATION ET D'INITIALE DE CHARIOT

1. S'assurer que la capacité du palan n'excède pas la capacité évaluée du chariot.
2. Pour éviter une charge non équilibrée, centrer le cintre entre les plats de chariot. Vérifier l'installation d'entretoise. (Se référer à Dwg. T-02)
3. Tout le dégagement entre le faisceau et les brides de roue de chariot est de 1/16 à 1/8 dans (1.6 à 3.2 millimètres) le maximum par côté. (Se référer à Dwg. T-02).
4. Tour de roues de chariot sur le dessus de la bride inférieure du faisceau.
5. Les chariots on des roues universelles pour monter sur les faisceaux plats ou coniques.
6. Inspecter visuellement les composantes pour s'assurer qu'il n a aucune déformation avant l'installation. Remplacer n'importe quel article indiquant des dommages, de la déformation et/ou de l'usage excessif.
7. S'assurer les arrêts sont solidement installés aux deux extrémités du faisceau avant d'utiliser le chariot
8. Après l'installation du chariot s'assurer que les plats de côté sont verticaux.
9. Le chariot étant installé, vérifier que le palan est centrée au-dessous du chariot.
10. Pour déplacer un palan/chariot déchargés, pousser sur la chaîne de charge du palan.
11. Pour déplacer un palan/chariot chargés, pousser sur la charge ou la jambe de crochet du palan.
12. Soulever une charge égale aux capacités du palan à quelques pouces (centimètre) du plancher et examiner le voyage du chariot.
13. En actionnant la charge de subsistance du chariot comme pratique.

## INSPECTION

Des inspections fréquentes et périodiques devraient être effectuées sur l'équipement dans le service régulier. Les inspections fréquentes sont des examens visuels exécutés par les opérateurs ou le personnel de service pendant l'opération courante. Les inspections périodiques sont des inspections complètes effectuées par le personnel qualifié dans l'inspection et l'entretien. L'inspection soigneuse de façon régulière indiquera des conditions potentiellement dangereuses permettant la modification de la méthode de travail avant que celle-ci deviennent dangereuse. Des bris indiqués par l'inspection, ou lors du fonctionnement, doivent être rapportés à la personne responsable. Une analyse des risques doit être fait avant de reprendre l'opération.

Le rapport écrit des inspections périodiques doivent être maintenus énumérant tous les points inspectés et gardés dans un dossier où ils sont facilement disponibles. Des rapports mensuels devraient être rédigés sur la condition trouvée des inspections fréquentes. Les rapports devraient être datés et signés par la personne qui a effectué l'inspection.

### Inspection fréquente

Sur un palan en service continu, l'inspection fréquente devrait être faite au début de chaque quart de travail. En outre, des inspections visuelles devraient être conduites pendant le service régulier pour n'importe quels dommages ou évidence du défaut de fonctionnement.

1. **OPÉRATION.** Vérifier les bruits anormaux qui pourraient indiquer un problème potentiel. Ne pas actionner un palan si un crochet est coincé. Détecter à l'oreille le mal fonctionnement. Le bruit cliquant du cliquet sur la vitesse de ratchet est normal quand une charge est augmentée. Si la chaîne saute ou est excessivement bruyante, tenir la chaîne propre et lubrifier la chaîne. Si le problème persiste, envoyer le palan à un centre de réparation. Ne pas actionner le palan jusqu'à ce que tous les problèmes aient été corrigés. Vérifier que la chaîne de main bouge librement.
2. **ACCROCHER LE VERROU.** Vérifier le fonctionnement du verrou du crochet. Remplacer si cassé ou disparu.
3. **CROCHETS.** Vérifier l'usage ou les dommages, la plus grande largeur de gorge, la jambe pliée ou vrillage du crochet. Remplacer les crochets qui excèdent la largeur d'écart d'ouverture de gorge (15%) montrée dans le tableau 1 (réf. Dwg. H-01) ou excèdent une torsion 10° (réf. Dwg. H-01). Si le verrou du crochet se casse après le bout du crochet, le crochet est jailli et doit être remplacé. Vérifier que les crochets pivotent facilement. Réparer ou lubrifier selon les besoins.
4. **ENCHAÎNER** (réf. Dwg. C-01). Examiner chacun des maillons pour vérifier qu'il n'y ait pas de fissure dans les soudures ou les épaules, les entailles et les gouges transversales, l'éclaboussure de soudure, les puits de corrosion et la striation (lignes parallèles minutieuses) y compris les surfaces d'appui entre les maillons de chaîne. Remplacer une chaîne qui échoue les inspections. Vérifier la lubrification et lubrifier au besoin. Voir la chaîne de charge sous la section "LUBRIFICATION".
5. **PASSAGE DE LA CHAÎNE DANS LA NOIX.** Assurez-vous que les soudures sur les liens permanents sont loin de la charge de référence poulie (Dwg. C-04). Remonter la chaîne si nécessaire. Vérifier que le dernier maillon de la chaîne est solidement accroché. S'assurer que la chaîne n'est ni vrillée, ni tordue ni entortillée. Corriger au besoin.

### INSPECTION PÉRIODIQUE

La fréquence des inspections périodiques dépend essentiellement de l'utilisation:

**NORMALE**  
une fois par an

**IMPORTANTE**  
deux fois par an

**INTENSE**  
une fois tous les trois mois

Le démontage peut être exigé pour l'utilisation LOURDE. Une inspection périodique peut fournir une base pour l'évaluation continue. Inspecter tous les articles dans « l'inspection fréquente. » Inspecter en outre ce qui suit:

1. **ATTACHES.** Vérifier les rivets, vis à pastille, écrous, goupilles fendues et autres attaches sur des crochets, corps de palan et seau à chaînes, si utilisé. Remplacer si manquant et serrer ou fixer si lâche.
2. **TOUS LES COMPOSANTS.** Inspecter pour déceler l'usage, les dommages, la déformation et la propreté. Si défectueux, le retourner à votre centre de service.
3. **CROCHETS.** Inspecter les crochets pour déceler les fissures. Employer la particule magnétique ou teindre pour vérifier les fissures. Inspecter les pièces de retenue du crochet. Serrer ou réparer au besoin. Se référer aux caractéristiques applicables pour l'information additionnelle d'inspection du crochet.
4. **ENCHAÎNER LES POULIES.** Vérifier les dommages ou l'usage excessif. Si des dommages ou l'usage sont notés, envoyer le palan à votre centre de réparation.
5. **CHARGER LA CHAÎNE.** Mesurer la chaîne à travers cinq sections de long. (réf. Dwg. C-01). Quand cinq liens quelconques dans la longueur de fonctionnement atteignent ou excèdent la longueur d'écart montrée dans le Tableau, remplacer la chaîne entière. Employer toujours la chaîne d'origine.
6. **FREINS.** Soulever une charge égale à la capacité évaluée du palan quelques centimètres (pouces) au dessus du plancher. Vérifier si la charge glisse. Si c'est le cas, svp, contacter votre centre de service pour réparation.
7. **STRUCTURE PORTEUSE.** Si une structure permanente est employée, inspecter la structure par des gens qualifiés pour s'assurer de la capacité de soutenir la charge.
8. **ÉTIQUETTES.** Vérifier la présence et la lisibilité. Remplacer au besoin.
9. **LANGUETTES.** S'assurer que la languette sur les crochets sont bien en place et fonctionnel. Réparer si endommagé, remplacer si manquant.

#### PALAN PAS DANS LE SERVICE RÉGULIER

1. Un palan qui a été hors service pendant une période d'un mois ou plus, mais moins d'un an devrait être indiqué d'une inspection se conformant aux conditions « de l'inspection fréquente » avant d'être placé en service.
2. Un palan qui a été hors service pendant une période de plus d'un an devrait être donné d'une inspection complète se conformant aux conditions « de l'inspection périodique » avant d'être placé en service.
3. Des palans de secours devraient être inspectés au moins deux fois par an selon les conditions « de l'inspection fréquente. » En conditions de fonctionnement anormales l'équipement devrait être inspecté à intervalles plus courts.

#### ENTRETIEN

1. L'utilisation, les inspections et l'entretien appropriés augmenteront la vie et l'utilité de votre équipement.
2. Ne jamais exécuter l'entretien tout en soutenant une charge.
3. Pendant l'assemblage, lubrifier les vitesses, les écrous, les boulons et tous les fils usinés avec des lubrifiants applicables. L'utilisation de composé anti-grippe et/ou filé, le lubrifiant sur la vis à pastille et les secteurs filetés par écrou empêche la corrosion et tient compte de la facilité du démontage du composant.
4. Ajustement ou remplacement de la chaîne à main. (Se référer à Dwg. C-02 et C-03) en coupant le côté de soudure d'un maillon de chaîne à main, ne coupent pas ou n'entaillent pas le côté opposé. Un lien endommagé doit être remplacé pour empêcher l'échec prématuré. Une chaîne en chute de main peut blesser le personnel.
5. Faire un essai avant de retourner le produit en service après exécution de n'importe quel entretien ou réparations.

## LUBRIFICATION

### Généralités

L'utilisation du lubrifiant de fil ou du composé anti-grippage est recommandée pour les composants filetés. Sauf indication contraire, enlever le vieux lubrifiant, nettoyer la pièce avec du dissolvant sans acide et appliquer un nouvel enduit de lubrifiant à la pièce devant assemblée.

### Vitesses

dévisser les écrous du côté opposé de la grue comme chaîne de main, et enlever la couverture de vitesse et la plaque de maintien. Enlever le cambouis et le remplacer avec nouveau. Pour les températures -29° à 10° C (- 20° à 50° F) employer la graisse ou l'équivalent de PE 1. Pour les températures -1° à PE 2 d'utilisation de 49° C (30° à 120° F) graisser ou équivalent.

### Chariot Des roulements de roue de

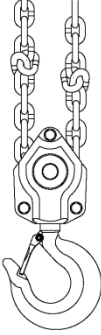
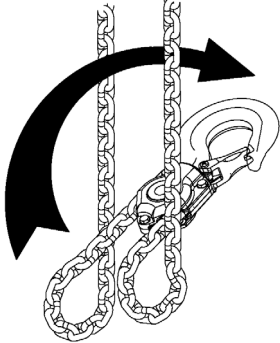
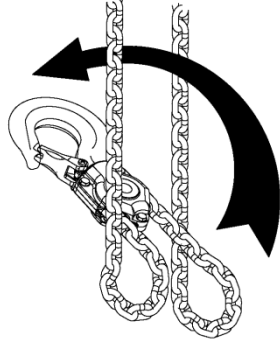
- sont scellés et n'exigent aucune lubrification. Si la rotation de roue de chariot est rugueuse ou bruyante, remplacer le roulement de roue de chariot. Le pignon d'axe de pignon de chariot adapté par
- devrait être lubrifié avant l'installation dans le plat latéral avec la graisse de PE 2. Les roues de chariot adaptées par
- exigent la graisse de PE 2 balayée sur les dents exposées de roue et de pignon. Appliquer selon les besoins aux dents de subsistance couvertes. Si la graisse devient propre souillé et brosse sur nouveau.

### Charger la chaîne

1. Lubrifier chaque lien de l'hebdomadaire de chaîne de charge avec de l'huile de PE de SAE 50 à 90. Appliquer la couche existante de nouvel excédent de lubrifiant.
2. Dans les applications graves ou l'environnement corrosif, lubrifier plus fréquemment que la normale.
3. Lubrifier les points de pivot de crochet et de verrou de crochet avec du même lubrifiant utilisé sur la chaîne de charge. 4. Pour enlever la rouille ou l'habillage abrasif de la poussière, nettoyer la chaîne avec du dissolvant sans acide. Après nettoyage, lubrifier la chaîne.

## DEPANNAGE POUR PALANS

SYMPTÔMES	CAUSE	CURE
Ne cliquet en place, mais la chaîne peut être tiré par la main sans charge.	Opérateur continue à faire tourner le levier dans la direction vers le bas, lorsque l'anneau de la chaîne de queue est accrochée ou est en butée contre le châssis de levage.	Si un effort important est fixé, et a levé le frein de récupérer ou, sans charge, en tirant sur la chaîne à travers le treuil jusqu'à ce que le crochet est contre le cadre, puis lancer le levier dans la direction vers le haut.
Seront cliquet en place, mais la chaîne ne peuvent pas être tirés à travers la main sans charge.	Hoist est soulagé de la charge par un autre moyen que de baisser avec le treuil, ou si on en abuse en tirant le bloc de crochet inférieur fermement contre le cadre de levage.	Tournez le levier de vitesses à la position et tirez brusquement sur la poignée du levier ou de ré-appliquer une charge suffisante puis tourner le levier vers le bas.

<p>Le palan ne se soulève ni ne s'abaisse sans charge</p>	<p>Le frein n'est pas réglé</p> <p>Le levier se déplace sans cliquer, la chaîne ne continue pas à entrer ou à sortir</p>	<p>Voir fonctionnement et inspection</p> <p>Il doit y avoir une certaine résistance pour faire cliqueter le levier. Tenez ou tirez la chaîne à la main pendant que vous actionnez le levier. Ou utilisez le mode chaîne libre pour positionner facilement la chaîne</p>
<p>Le mode chaîne libre ne permet pas de tirer la chaîne librement</p>	<p>La chaîne a tiré trop vite ou a accéléré trop rapidement, ce qui a entraîné le freinage</p>	<p>Réinitialiser le volant (27) et tirer la chaîne de force avec moins de force</p>
<p>Le palan se lie à l'intérieur tout en soulevant ou en baissant</p>	<p>Engrenage mal installé</p> <p>Une chaîne tordue ou tordue a pu être ingérée dans le palan</p>	<p>Nécessite un service de réparation. Retirez le carter d'engrenage et vérifiez si le rapport d'engrenage est correct conformément aux instructions et aux illustrations à la page 39 de ce manuel</p> <p>Nécessite un service de réparation par démontage afin de détecter les dommages éventuels</p>
 <p>Chaîne torsadée sur palan à plusieurs pièces</p>	 <p>Crochet inférieur renversé ou chaviré</p>	 <p>Basculer le crochet</p>
<p>Tous les autres symptômes</p>	<p>inconnue</p>	<p>Contactez le service compétent</p>



## GARANTIE LIMITÉE À VIE

Nous nous efforçons de garantir que nos produits répondent à des normes de qualité et de durabilité élevées et nous garantissons au consommateur d'origine que le produit est exempt de tout défaut de matériau et de fabrication, comme suit:

Cette garantie ne s'applique pas aux défauts dus directement ou indirectement à une mauvaise utilisation, une négligence ou des accidents, des réparations ou des modifications en dehors de nos installations ou à un manque d'entretien. La garantie commence à la date d'achat auprès d'un revendeur AMH agréé par l'utilisateur original. Veuillez conserver votre reçu de caisse daté comme preuve d'achat pour valider la garantie. Sauf indication contraire dans le présent document, toute garantie implicite ou qualité marchande et aptitude sont exclues. AMH ne sera en aucun cas responsable du décès, des blessures de personnes ou de biens ou des dommages accessoires, indirects, spéciaux ou consécutifs résultant de l'utilisation de nos produits. Certains états n'autorisent pas l'exclusion ou la limitation des dommages accessoires ou indirects; par conséquent, les limitations ou exclusions ci-dessus peuvent ne pas s'appliquer à vous. Pour profiter de cette garantie, le produit doit être retourné pour examen, port prépayé à un centre de service autorisé. Une preuve de date d'achat et une explication de la réclamation doivent accompagner le produit. Aucun retour ne sera accepté sans autorisation préalable obtenue auprès d'un concessionnaire AMH. Si notre inspection révèle un défaut de fabrication, nous réparerons ou remplacerons le produit ou nous rembourserons le prix d'achat, si nous ne sommes pas en mesure d'effectuer une réparation ou un remplacement rapide, si vous êtes prêt à accepter un tel remboursement. Nous retournerons les produits réparés ou le remplacement à nos frais, mais si nous constatons qu'il n'y a pas de défaut, ou que le défaut résulte de causes qui n'entrent pas dans le cadre de cette garantie, l'utilisateur devra supporter les frais de retour du produit. Cette garantie vous donne des droits légaux spécifiques, et vous pouvez également avoir d'autres droits qui varient d'un état à l'autre.

Problèmes typiques causés par une mauvaise utilisation qui ne sont pas couverts par la garantie:

- Crochets pliés, étirés ou cassés
- Loquet à crochet manquant ou suspendu
- Levier plié ou endommagé
- Parties manquantes
- Corrosion
- Chaîne de charge usée, déformée ou étirée
- Les dommages causés aux guides-chaînes et aux autres pièces ne permettent pas au palan de former une ligne droite entre les crochets. L'exemple lie la fonction de levage par contact du corps avec une structure.
- Porter d'une utilisation normale.

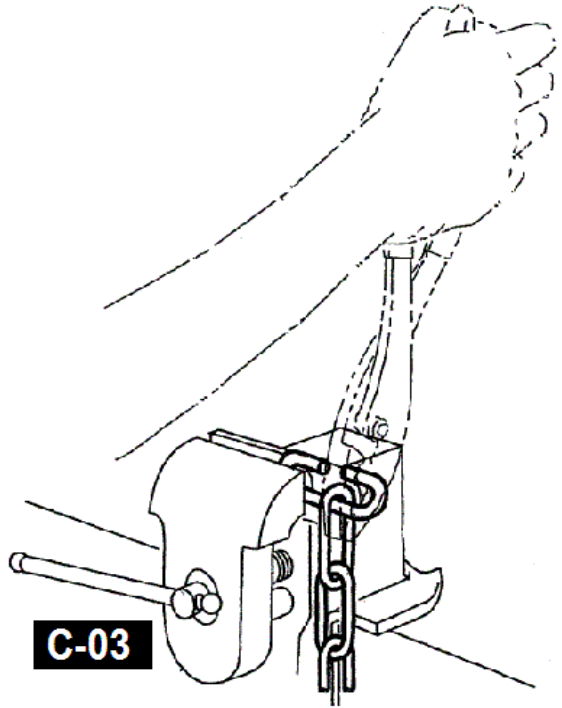
Les spécifications et dimensions listées sur le site internet de l'AMH ou dans les documents imprimés sont fournies à titre d'information générale et ne sont pas contraignantes. AMH se réserve le droit de modifier l'équipement, les pièces, les accessoires ou les accessoires sans préavis pour quelque raison que ce soit.

Ce manuel et d'autres informations sur les produits sont disponibles sur:

[www.allmaterialhandling.com](http://www.allmaterialhandling.com)



**C-02**



**C-03**

Weld Away  
From Wheel



**C-04**

Hoist Drive  
Wheel Only

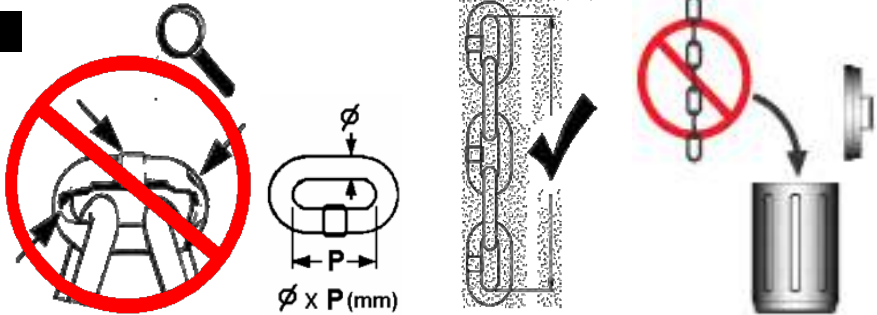
H-01



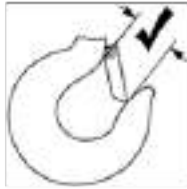
		(WLL) MIN	(WLL) MAX
LZ003	1/4t	15Lbs (7kg)	550 Lb (250kg)
LZ005	1/2t	22Lbs (10kg)	1,100 Lb (500 kg)
LB&LC008	3/4t	33 lbs (15 kg)	1,650 Lb (750 kg)
LB&LC015	1 1/2t	66 lb (30 kg)	3,300 Lb (1500 kg)
LB&LC030	3t	132 lb (60 kg)	6,600 Lb (3000 kg)
LB&LC060	6t	264 lb (120 kg)	13,200 Lb (6000 kg)

CB005	1/2t	0 lb. (0 kg)	1,100 lb (500 kg)
CB010	1t	0 lb. (0 kg)	2,200 lb (1000 kg)
CB015	1 1/2t	0 lb. (0 kg)	3,300 lb (1500 kg)
CB020	2t	0 lb. (0 kg)	4,400 lb (2000 kg)
CB030	3t	0 lb. (0 kg)	6,600 lb (3000 kg)
CB050	5t	0 lb. (0 kg)	11,000 lb (5000 kg)
CB100	10t	0 lb. (0 kg)	22,000 lb (10000 kg)

C-01

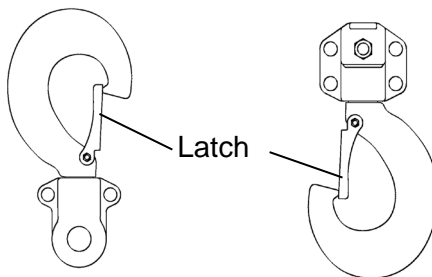


LZ003	0.25t	4 x 12	2.36 in (60 mm)	2.42 in (61.5 mm)
LZ005	0.5t	5 x 15	2.95 in (75 mm)	3.03 in (76.9 mm)
CB005, CB010 LB&LC008, 010	0.5-1t	6 x 18	3.55 in (90 mm)	3.64 in (92.3 mm)
CB015, CB020, CB030 LB&LC015,	1.5-3t	8 x 24	4.72 in (120 mm)	4.84 in (123.0 mm)
CB050, CB100, LB&LC030, 060,	3t-10t	10 x 30	5.91 in. (150.mm)	6.06 (153.8 mm)



LZ003	1/4t	1.0 in (25 mm)	1.23 in (31.2 mm)
CB & LZ005	1/2t	1.18 in (30 mm)	1.26 in (32.1 mm)
LB & LC008	3/4t	1.18 in (30 mm)	1.26 in (32.1 mm)
CB, LB & LC010	1t	1.18 in (30 mm)	1.26 in (32.1 mm)
CB, LB & LC015	1 1/2t	1.42 in (36 mm)	1.52 in (38.5 mm)
CB & LC020	2t	1.42 in (36 mm)	1.52 in (38.5 mm)
CB, LB & LC030	3t	1.57 in (40 mm)	1.68 in (42.7 mm)
CB050	5t	1.97 in (50 mm)	2.11 in (53.6 mm)
LB & LC060	6t	1.97 in (50 mm)	2.11 in (53.6 mm)
LB & LC090	9t	2.24 in (57 mm)	2.40 in (61.9 mm)
CB100	10t	2.52 in (64 mm)	2.70 in (68.5 mm)

## Shipyards Hook

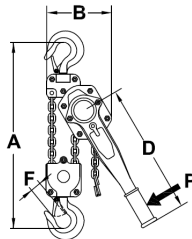


WLL	Top	Bottom	Latch
1.5T	P-LC015-31-SYHK	P-LC015-33-SYHK	P-LC015-48-SYHK
3.0T	P-LC030-31-SYHK	P-LC030-33-SYHK	P-LC030-48-SYHK



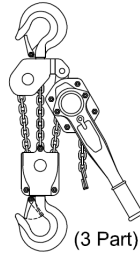
(1 Part)

**0.75, 1.0, 1.5 & 3t**



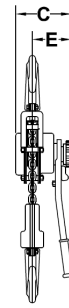
(2 part)

**6t**



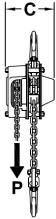
(3 Part)

**9t**



5'

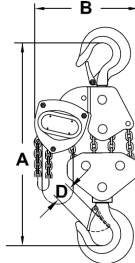
Model	Capacity(WLL)	A" Min."	B"	C"	D"	E"	F"	P (lbs)	W(Lbs) /Ft Lift	W (lbs) A=5 Ft
LZ003	1/4t / 550 lbs	9.0	3.3	3.6	6.3	2.8	1.0	56	0.28	5.3
LZ005	1/2t / 1,100 lbs	10.2	3.1	4.1	11.8	3.1	0.94	76	0.36	9
LB&LC008	3/4t / 1,650 lbs	12.6	5.3	5.8	11.4	3.5	0.94	31	0.54	17
LB&LC010	1t / 2,200 lbs	12.6	5.3	5.8	11.4	3.5	0.94	42	0.54	18
LB&LC015	1 1/2t / 3,300 lbs	15.0	6.4	6.9	16.5	4.0	1.14	54	0.92	26
LC020	2t / 4,400 lbs	15.0	6.4	6.9	16.5	4.0	1.14	72	0.92	26.5
LB&LC030	3t / 6,600 lbs	18.9	8.3	7.7	16.5	4.3	1.42	72	1.48	46
LB&LC060	6t / 13,200 lbs	24.4	10.0	7.7	16.5	4.3	1.81	76	2.96	70



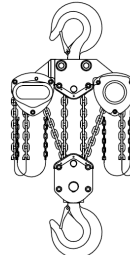
**1/2-2t**  
(1 Part)



**3t & 5t**  
(2 part)



**10t**  
(4 Part)



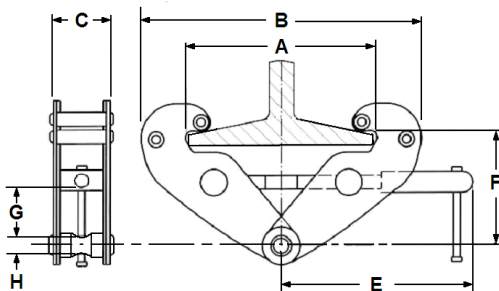
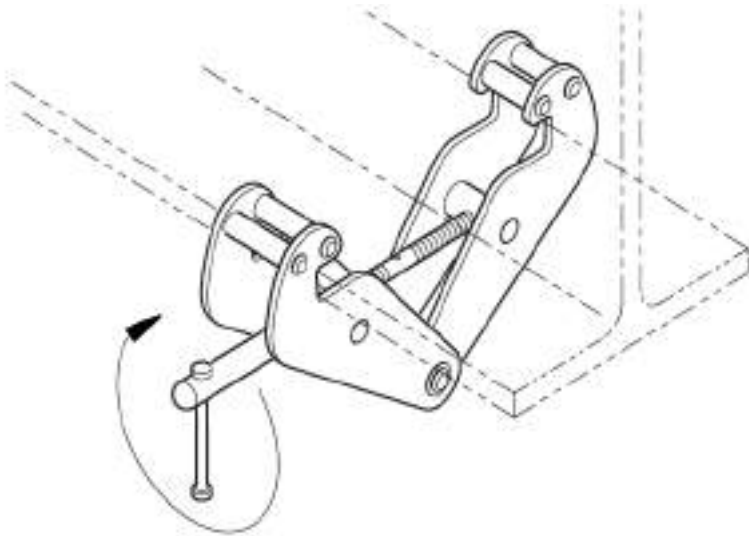
**20t** (8 parts)

**30t** (12 parts)



10'

Model	Capacity(WLL)	A" Min.	B"	C"	D"	P (lbs)	Load Chain Lb/Ft	Hand Chain Lb/Ft	W (lbs) A=10 Ft
CB005	1/2t / 1,100 lbs	10.6	5.4	5.4	0.94	49	0.54	0.48	22
CB010	1t / 2,200 lbs	12.5	6.4	5.8	0.94	72	0.54	0.48	26
CB015	1 1/2t / 3,300 lbs	15.7	7.2	6.7	1.14	81	0.92	0.48	42
CB020	2t / 4,400 lbs	16.3	7.6	6.7	1.14	82	0.92	0.48	44
CB030	3t / 6,600 lbs	18.3	8.7	6.7	1.42	87	1.84	0.48	59
CB050	5t / 11,000 lbs	24.3	11.3	7.5	1.81	98	2.96	0.48	101
CB100	10t / 22,000 lbs	31.4	15.1	7.5	1.97	98	5.92	0.48	183

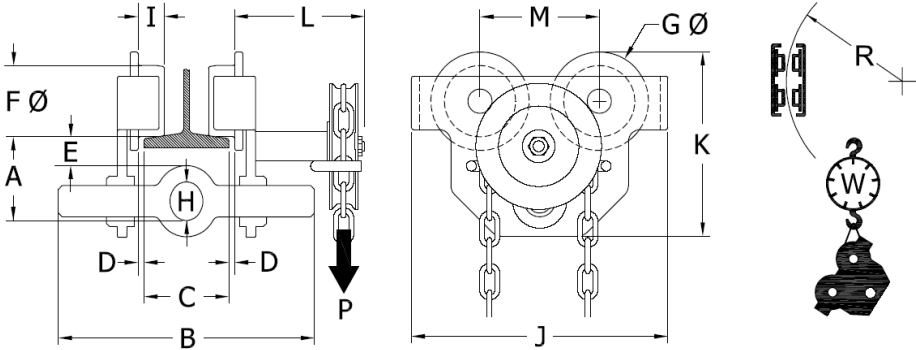


**TBC (1 – 10t)**



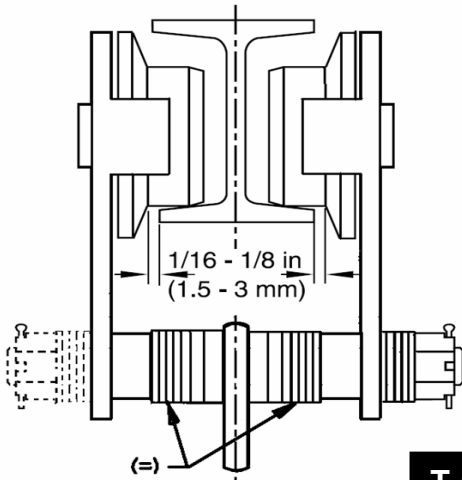
(Inches & Lbs)		B		F		G	H	W
Model		A	Max	C	E	Max	Min.	(Lbs)
TBC-01	1t	2.9 - 8.6	14.2	2.5	8.4	6.1	1.0	8.3
TBC-02	2t	2.9 - 8.6	14.2	2.9	8.4	6.1	1.0	10.1
TBC-03	3t	3.1 - 12.6	19.3	4.1	10.2	8.8	1.8	19.8
TBC-05	5t	3.1 - 12.6	19.3	4.3	10.2	8.8	1.8	24.2
TBC-10	10t	3.5 - 12.6	19.9	4.7	11.0	8.8	2.0	35.2

**TTP & TTG (1/2 - 5t)**

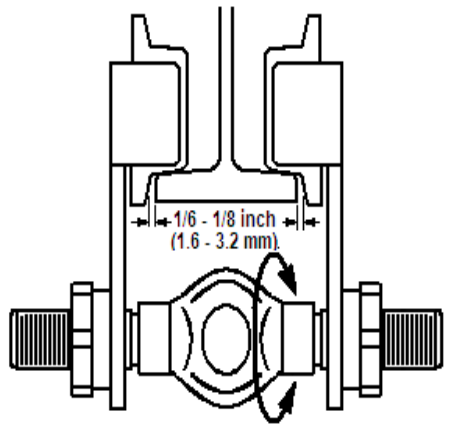


(Inches & Lbs)

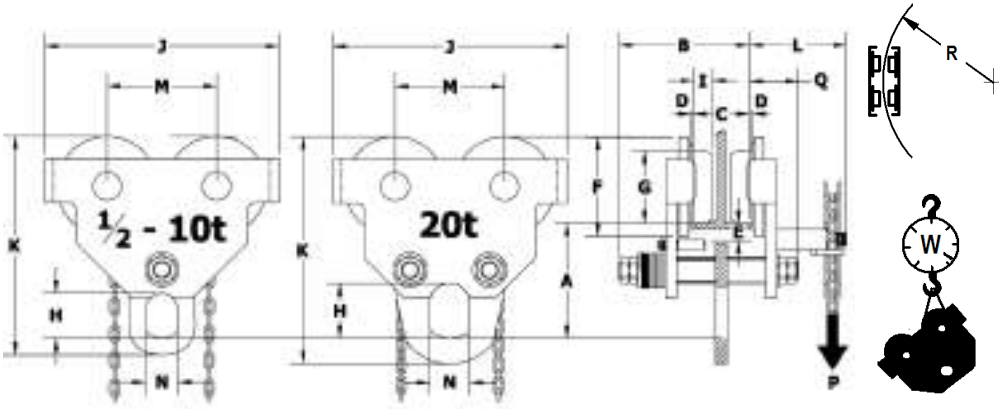
Model	WLL	A"	B"	C"	D"	E"	F"	G"	H"	I"	J"	K"	L"	M"	P (Lbs)	R" Min	W (Lbs)
TTP005	1/2t	3.1	11.2	2.0-8.7	0-0.12	1.5	2.2	3.2	1.1	0.8	7.8	6.2	--	3.5	--	39	11
TTP010	1t	3.3	11.2	2.3-8.7	0-0.12	1.2	2.7	3.8	1.5	0.8	9.4	7.2	--	4.3	--	39	19
TTG010													5.1		9		28
TTP020	2t	3.9	11.8	2.6-8.7	0-0.12	1.2	3.1	4.3	1.9	0.9	10.9	8.2	--	5.1	--	51	31
TTG020													5.3		15		41
TTP030	3t	4.4	12.6	2.9-8.7	0-0.12	1.2	3.9	5.2	2.2	1.1	12.8	9.8	--	5.9	--	59	52
TTG030													5.9		14		62
TTP050	5t	5.2	13.9	3.5-8.7	0-0.12	1.6	4.7	6.1	2.6	1.3	14.7	11.7	--	6.8	--	53	88
TTG050													4.7		22		99



**T-02**

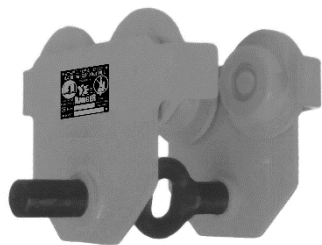
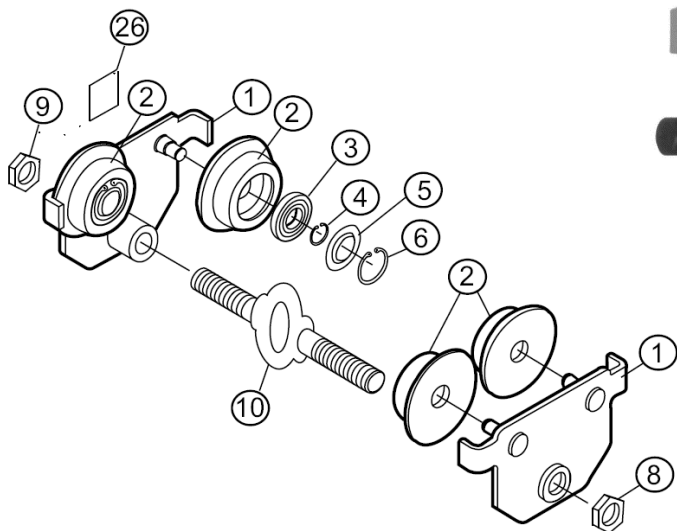


**≤ 5t**

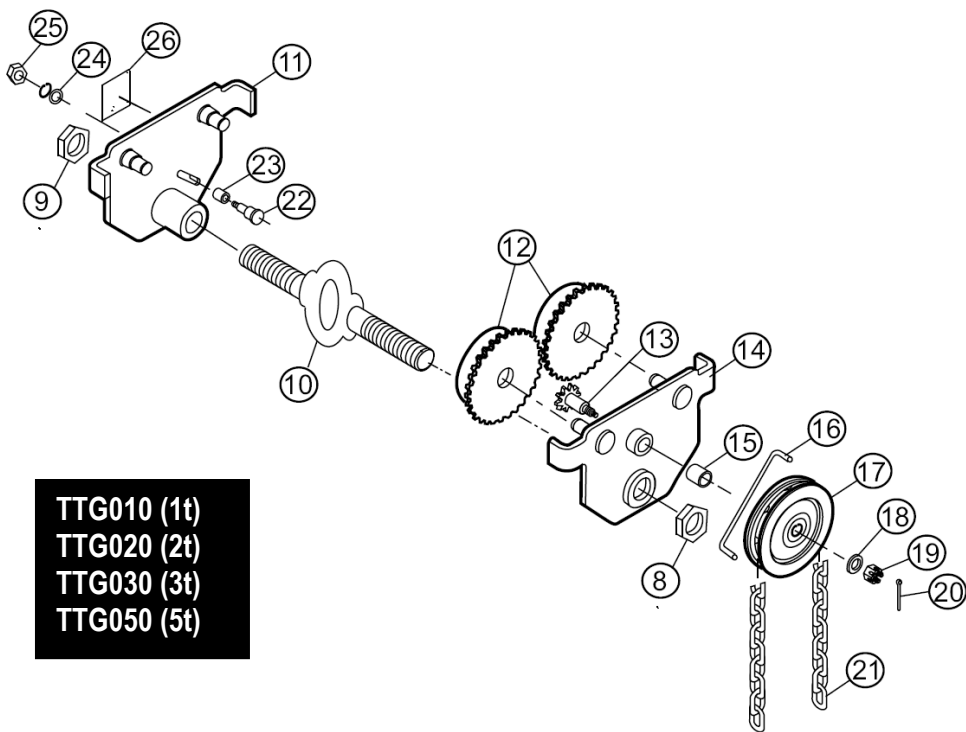


Model	WLL	A"	B"	C"	D"	E"	F"	G"	H"	I"	J"	K"	L"	M"	Q	P (Lbs)	R" Min	W (Lbs)
TP005	1/2t	4.4	9.1	2.5-5.5	0-0.12	1.1	2.3	3.3	1.5	1.0	8.3	5.9	--	4.0	1.9	--	35	15
TP010	1t	5.0	10.0	2.5-5.5	0-0.12	1.0	3.0	4.0	2.0	1.1	10.0	7.0	--	4.6	2.2	--	39	26
TG010			7.0										--		9	42		
TP020	2t	6.0	11.6	3.0-6.5	0-0.12	1.1	3.5	4.8	2.4	1.3	11.9	8.2	--	5.4	2.4	--	47	48
TG020			7.8										--		15	64		
TP030	3t	7.3	13.5	3.0-8.0	0-0.12	1.3	4.3	5.6	3.0	1.5	13.5	9.9	--	6.2	2.8	--	55	66
TG030			8.3										--		14	88		
TP050	5t	8.6	15.7	3.0-8.0	0-0.12	1.3	4.8	6.1	3.7	1.7	14.9	11.5	--	6.8	3.1	--	79	121
TG050			11.0										--		22	143		
TP100	10t	10.8	17.9	3.5-8.0	0-0.12	1.4	5.9	7.4	4.7	1.9	17.9	17.4	--	7.9	4.0	--	98	205
TG100			12.1										--		44	227		
TP200	20t	12.4	18.7	4.9-8.0	0-0.12	1.4	7.9	10.8	5.9	2.4	25.3	17.4	--	11.8	4.6	--	138	517
TG200			22.1										--		98	539		
TP300	30t	12.3	22.4	9.8-11.8	0-0.18	2.0	10.8	7.9	5.9	2.4	25.3	24.7	--	11.8	4.6	--		539
TG300			25.6										--			572		





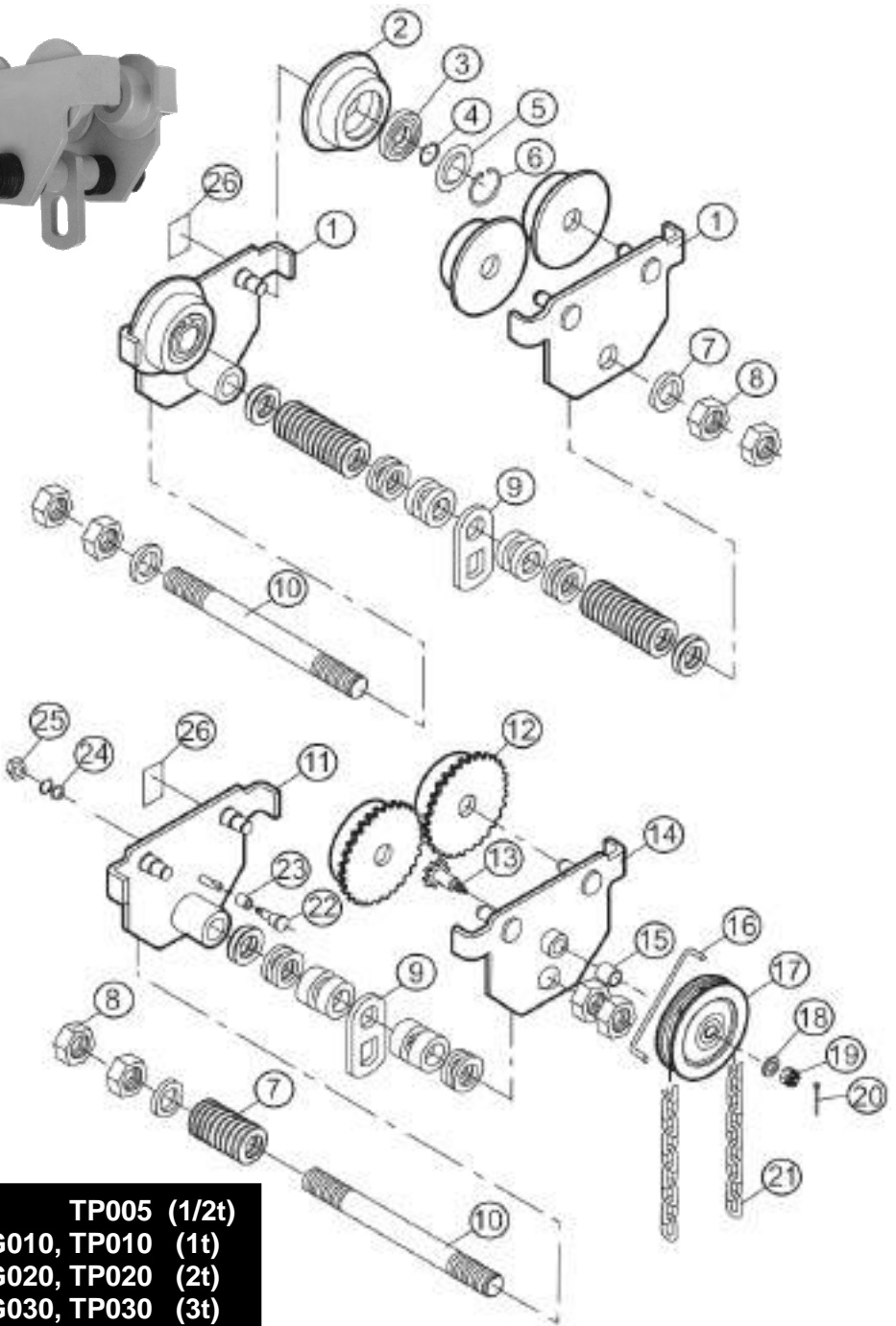
TTP005 (1/2t)  
 TTP010 (1t)  
 TTP020 (2t)  
 TTP030 (3t)  
 TTP050 (5t)



TTG010 (1t)  
 TTG020 (2t)  
 TTG030 (3t)  
 TTG050 (5t)

#	TTP005 (1/2t)	TTP010 (1t)	TTP020 (2t)	TTP030 (3t)	TTP050 (5t)
1	P-TTP005-1	P-TTP010-1	P-TTP020-1	P-TTP030-1	P-TTP050-1
2	P-TTP005-2	P-TTP010-2	P-TTP020-2	P-TTP030-2	P-TTP050-2
3	P-TTP005-3	P-TTP010-3	P-TTP020-3	P-TTP030-3	P-TTP050-3
4	P-TTP005-4	P-TTP010-4	P-TTP020-4	P-TTP030-4	P-TTP050-4
5	P-TTP005-5	P-TTP010-5	P-TTP020-5	P-TTP030-5	P-TTP050-5
6	P-TTP005-6	P-TTP010-6	P-TTP020-6	P-TTP030-6	P-TTP050-6
7	P-TTP005-7	P-TTP010-7	P-TTP020-7	P-TTP030-7	P-TTP050-7
8	P-TTP005-8	P-TTP010-8	P-TTP020-8	P-TTP030-8	P-TTP050-8
9	P-TTP005-9	P-TTP010-9	P-TTP020-9	P-TTP030-9	P-TTP050-9
10	P-TTP005-10	P-TTP010-10	P-TTP020-10	P-TTP030-10	P-TTP050-10
26	P-NPL-TPG005	P-NPL-TPG010	P-NPL-TPG020	P-NPL-TPG030	P-NPL-TPG050

#	TTG010 (1t)	TTG020 (2t)	TTG030 (3t)	TTG050 (5t)
2	P-TTP010-2	P-TTP020-2	P-TTP030-2	P-TTP050-2
3	P-TTP010-3	P-TTP020-3	P-TTP030-3	P-TTP050-3
4	P-TTP010-4	P-TTP020-4	P-TTP030-4	P-TTP050-4
5	P-TTP010-5	P-TTP020-5	P-TTP030-5	P-TTP050-5
6	P-TTP010-6	P-TTP020-6	P-TTP030-6	P-TTP050-6
8	P-TTP010-8	P-TTP020-8	P-TTP030-8	P-TTP050-8
9	P-TTP010-9	P-TTP020-9	P-TTP030-9	P-TTP050-9
11	P-TTG010-11	P-TTG020-11	P-TTG030-11	P-TTG050-11
12	P-TTG010-12	P-TTG020-12	P-TTG030-12	P-TTG050-12
13	P-TTG010-13	P-TTG020-13	P-TTG030-13	P-TTG050-13
14	P-TTG010-14	P-TTG020-14	P-TTG030-14	P-TTG050-14
15	P-TTG010-15	P-TTG020-15	P-TTG030-15	P-TTG050-15
16	P-TTG010-16	P-TTG020-16	P-TTG030-16	P-TTG050-16
17	P-TTG010-17	P-TTG020-17	P-TTG030-17	P-TTG050-17
18	P-TTG010-18	P-TTG020-18	P-TTG030-18	P-TTG050-18
19	P-TTG010-19	P-TTG020-19	P-TTG030-19	P-TTG050-19
20	P-TTG010-20	P-TTG020-20	P-TTG030-20	P-TTG050-20
22	P-TTG010-22	P-TTG020-22	P-TTG030-22	P-TTG050-22
21	Black C5X25B or Zinc C5X25Z			
23	P-TTG010-23	P-TTG020-23	P-TTG030-23	P-TTG050-23
24	P-TTG010-24	P-TTG020-24	P-TTG030-24	P-TTG050-24
25	P-TTG010-25	P-TTG020-25	P-TTG030-25	P-TTG050-25
26	P-NPL-TPG010	P-NPL-TPG020	P-NPL-TPG030	P-NPL-TPG050

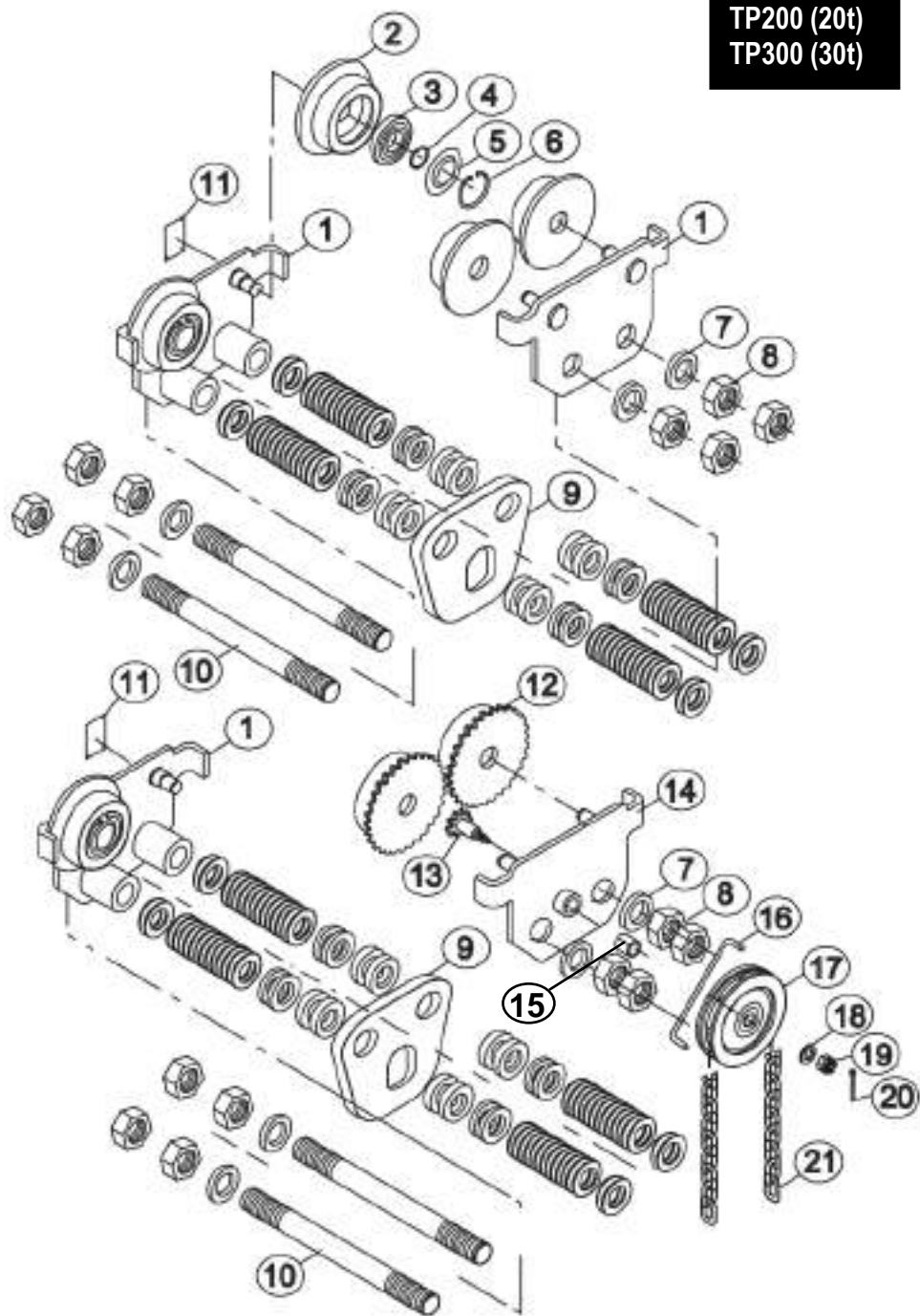


- TP005 (1/2t)**
- TG010, TP010 (1t)**
- TG020, TP020 (2t)**
- TG030, TP030 (3t)**
- TG050, TP050 (5t)**
- TG100, TP100 (10t)**

#	TP005 (1/2t)	TP010 (1t)	TP020 (2t)	TP030 (3t)	TP050 (5t)	TP100 (10t)
1	P-TP005-1	P-TP010-1	P-TP020-1	P-TP030-1	P-TP050-1	P-TP100-1
2	P-TP005-2	P-TP010-2	P-TP020-2	P-TP030-2	P-TP050-2	P-TP100-2
3	P-TP005-3	P-TP010-3	P-TP020-3	P-TP030-3	P-TP050-3	P-TP100-3
4	P-TP005-4	P-TP010-4	P-TP020-4	P-TP030-4	P-TP050-4	P-TP100-4
5	P-TP005-5	P-TP010-5	P-TP020-5	P-TP030-5	P-TP050-5	P-TP100-5
6	P-TP005-6	P-TP010-6	P-TP020-6	P-TP030-6	P-TP050-6	P-TP100-6
7	P-TP005-7	P-TP010-7	P-TP020-7	P-TP030-7	P-TP050-7	P-TP100-7
8	P-TP005-8	P-TP010-8	P-TP020-8	P-TP030-8	P-TP050-8	P-TP100-8
9	P-TP005-9	P-TP010-9	P-TP020-9	P-TP030-9	P-TP050-9	P-TP100-9
10	P-TP005-10	P-TP010-10	P-TP020-10	P-TP030-10	P-TP050-10	P-TP100-10
26	P-NPL-TPG005	P-NPL-TPG010	P-NPL-TPG020	P-NPL-TPG030	P-NPL-TPG050	P-NPL-TPG100

#	TG010 (1t)	TG020 (2t)	TG030 (3t)	TG050 (5t)	TG100 (10t)
1	P-TP010-1	P-TP020-1	P-TP030-1	P-TP050-1	P-TP100-1
2	P-TP010-2	P-TP020-2	P-TP030-2	P-TP050-2	P-TP100-2
3	P-TP010-3	P-TP020-3	P-TP030-3	P-TP050-3	P-TP100-3
4	P-TP010-4	P-TP020-4	P-TP030-4	P-TP050-4	P-TP100-4
5	P-TP010-5	P-TP020-5	P-TP030-5	P-TP050-5	P-TP100-5
6	P-TP010-6	P-TP020-6	P-TP030-6	P-TP050-6	P-TP100-6
7	P-TP010-7	P-TP020-7	P-TP030-7	P-TP050-7	P-TP100-7
8	P-TP010-8	P-TP020-8	P-TP030-8	P-TP050-8	P-TP100-8
9	P-TP010-9	P-TP020-9	P-TP030-9	P-TP050-9	P-TP100-9
10	P-TP010-10	P-TP020-10	P-TP030-10	P-TP050-10	P-TP100-10
11	P-TG010-11	P-TG020-11	P-TG030-11	P-TG050-11	P-TG100-11
12	P-TG010-12	P-TG020-12	P-TG030-12	P-TG050-12	P-TG100-12
13	P-TG010-13	P-TG020-13	P-TG030-13	P-TG050-13	P-TG100-13
14	P-TG010-14	P-TG020-14	P-TG030-14	P-TG050-14	P-TG100-14
15	P-TG010-15	P-TG020-15	P-TG030-15	P-TG050-15	P-TG100-15
16	P-TG010-16	P-TG020-16	P-TG030-16	P-TG050-16	P-TG100-16
17	P-TG010-17	P-TG020-17	P-TG030-17	P-TG050-17	P-TG100-17
18	P-TG010-18	P-TG020-18	P-TG030-18	P-TG050-18	P-TG100-18
19	P-TG010-19	P-TG020-19	P-TG030-19	P-TG050-19	P-TG100-19
20	P-TG010-20	P-TG020-20	P-TG030-20	P-TG050-20	P-TG100-20
21	Black C5X25B or Zinc C5X25Z				
22	P-TG010-22	P-TG020-22	P-TG030-22	P-TG050-22	P-TG100-22
23	P-TG010-23	P-TG020-23	P-TG030-23	P-TG050-23	P-TG100-23
24	P-TG010-24	P-TG020-24	P-TG030-24	P-TG050-24	P-TG100-24
25	P-TG010-25	P-TG020-25	P-TG030-25	P-TG050-25	P-TG100-25
26	P-NPL-TPG010	P-NPL-TPG020	P-NPL-TPG030	P-NPL-TPG050	P-NPL-TPG100

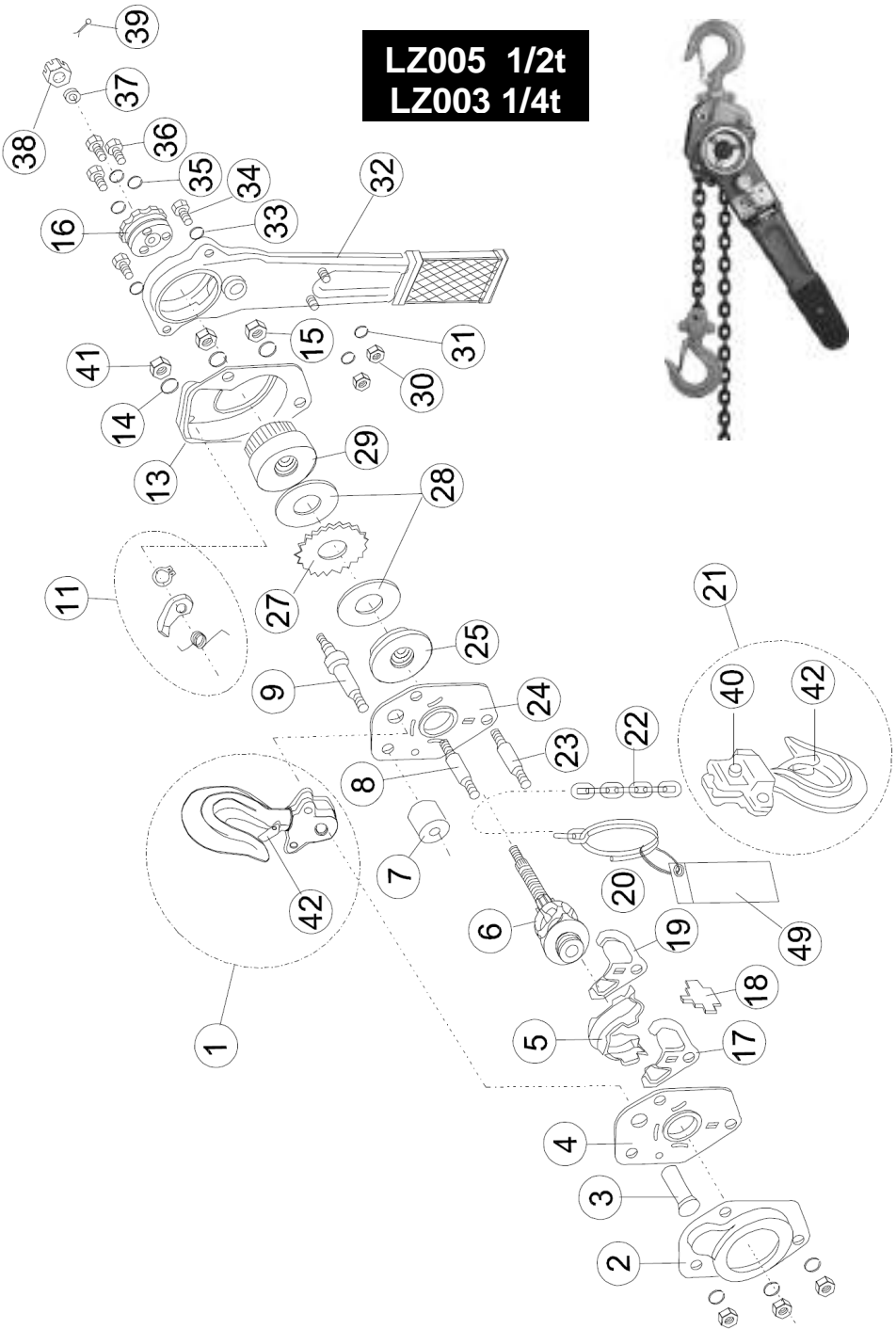
TP200 (20t)  
TP300 (30t)



#	TP200	TP300
	TG200 (20t)	TG300 (30t)
1	P-TP200-1	P-TP300-1
2	P-TP200-2	P-TP300-2
3	P-TP200-3	P-TP300-3
4	P-TP200-4	P-TP300-4
5	P-TP200-5	P-TP300-5
6	P-TP200-6	P-TP300-6
7	P-TP200-7	P-TP300-7
8	P-TP200-8	P-TP300-8
9	P-TP200-9	P-TP300-9
10	P-TP200-10	P-TP300-10
11	P-NPL-TPG200	P-NPL-TPG300

#	TG200	TG300
	(20t)	(30t)
12	P-TG200-12	P-TG200-12
13	P-TG200-13	P-TG200-13
14	P-TG200-14	P-TG200-14
15	P-TG200-15	P-TG200-15
16	P-TG200-16	P-TG200-16
17	P-TG200-17	P-TG200-17
18	P-TG200-18	P-TG200-18
19	P-TG200-19	P-TG200-19
20	P-TG200-20	P-TG200-20
21	Black C5X25Z or Zinc C5X25ZB	

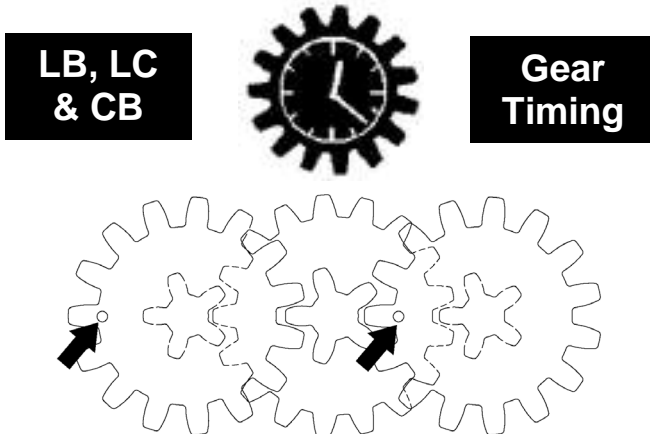
LZ005 1/2t  
LZ003 1/4t



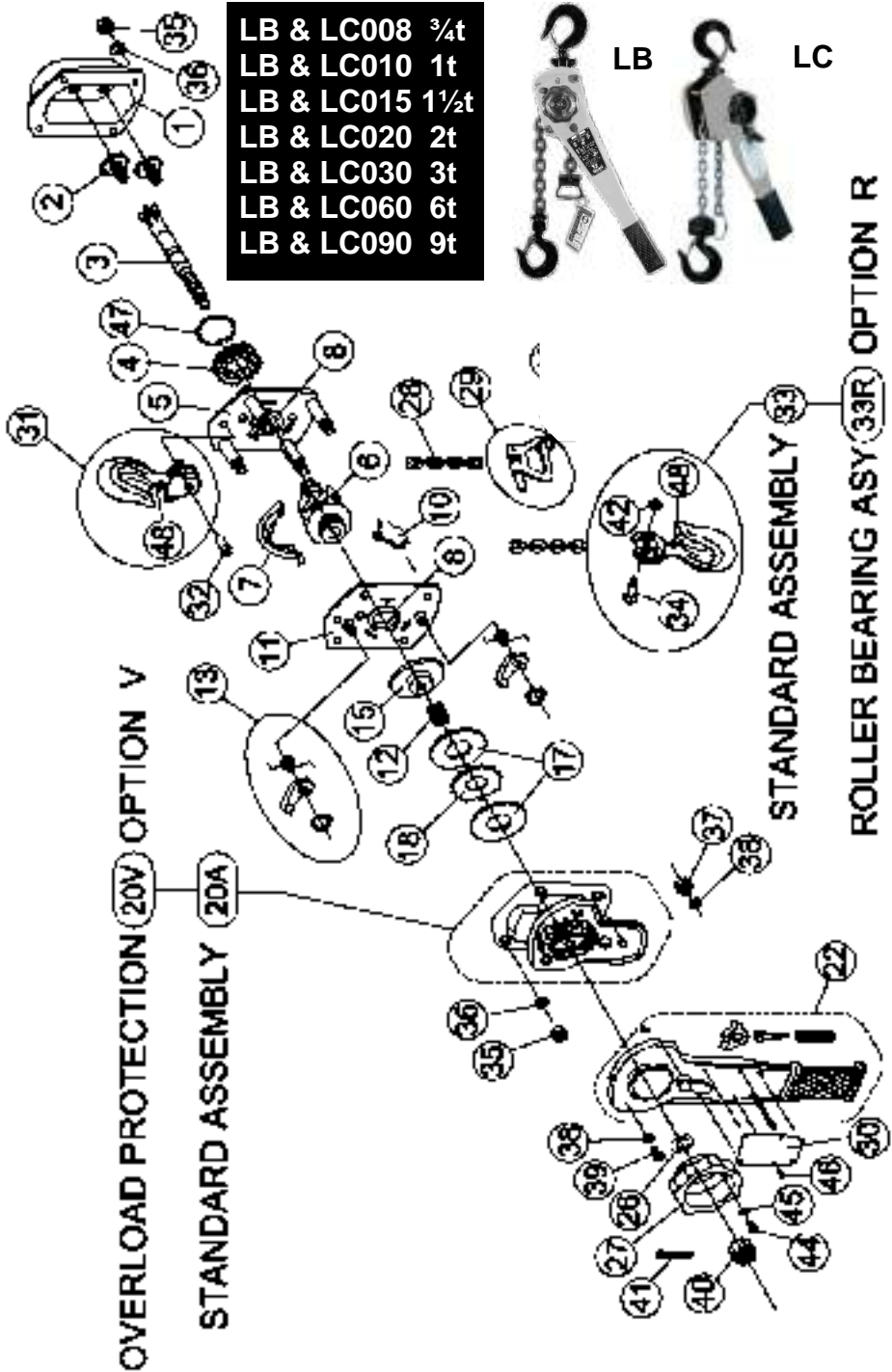
LZ005	
#	(1/2t)
1	P-LZ005-1
2	P-LZ005-2
3	P-LZ005-3
4	P-LZ005-4
5	P-LZ005-5
6	P-LZ005-6
7	P-LZ005-7
8	P-LZ005-8
9	P-LZ005-9
11	P-LZ005-11K
13	P-LZ005-13
14	P-LZ005-14
15	P-LZ005-15
16	P-LZ005-16

LZ005	
#	(1/2t)
17	P-LZ005-17
18	P-LZ005-18
19	P-LZ005-19
20	P-LZ005-20
21	P-LZ005-21
22	C5X15B or Z
23	P-LZ005-23
24	P-LZ005-24
25	P-LZ005-25
27	P-LZ005-27
28	P-LZ005-28
29	P-LZ005-29
30	P-LZ005-30

LZ005		LZ003	
#	(1/2t)	#	(1/4t)
31	P-LZ005-31	1	P-LZ003-1
32	P-LZ005-32	21	P-LZ003-21
33	P-LZ005-33	28	P-LZ003-28
34	P-LZ005-34	42	P-LZ003-42
35	P-LZ005-35	49	P-WARN-L
36	P-LZ005-36		
37	P-LZ005-37		
38	P-LZ005-38		
39	P-LZ005-39		
40	P-LZ005-40		
41	P-LZ005-41		
42	P-LZ005-42		
49	P-WARN-L		



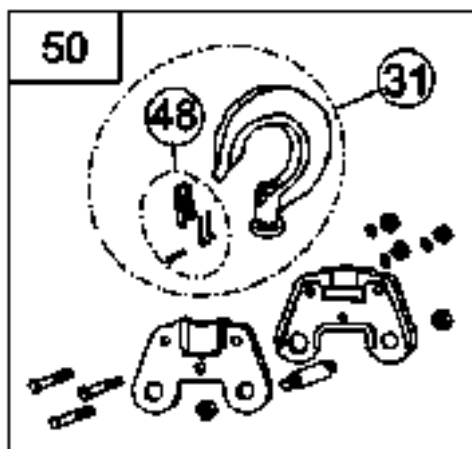




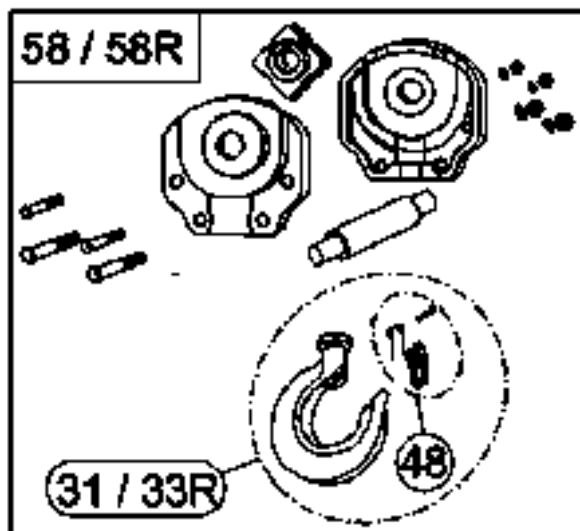
#	(3/4t)	(1t)	(1 1/2t)	(2t)	(3t)	(6t)	(9t)
1-LB	P-LB008-1		P-LB015-1		P-LB030-1		
1-LC	P-LC008-1		P-LC015-1		P-LC030-1		
2	P-LB008-2		P-LB015-2		P-LB030-2		
3	P-LB008-3		P-LB015-3		P-LB030-3		
4	P-LB008-4		P-LB015-4		P-LB030-4		
5-LB	P-LB008-5		P-LB015-5		P-LB030-5		
5-LC	P-LC008-5		P-LC015-5		P-LC030-5		
6	P-LB008-6		P-LB015-6		P-LB030-6		
7	P-LB008-7		P-LB015-7		P-LB030-7		
*8	P-CB005-9		P-CB015-9		P-CB050-9		
10	P-CB005-6		P-CB015-6		P-CB050-6		
11-LB	P-LB008-11		P-LB015-11		P-LB030-11		
11-LC	P-LC008-11		P-LC015-11		P-LC030-11		
12	P-LB008-12		P-LB015-12		P-LB008-12		
*13	P-CB005-25K		P-CB015-25K				
15	P-CB010-12		P-CB015-12		P-CB050-12		
*17	P-CB010-28		P-CB015-28		P-CB050-28		
18	P-CB010-27		P-CB015-27		P-CB050-27		
20A-LB	P-LB008-20A		P-LB015-20A		P-LB030-20A		
20A-LC	P-LC008-20A		P-LC015-20A		P-LC030-20A		
20V-LB	P-LB008-20V	P-LB010-20V	P-LB015-20V		P-LB030-20V		
20V-LC	P-LC008-20V	P-LC010-20V	P-LC015-20V	P-LC020-20V	P-LC030-20V		
22-LB	P-LB008-22		P-LB015-22				
22-LC	P-LC008-22		P-LC015-22				
26	P-LB008-26						
27	P-LB008-27		P-LB015-27		P-LB030-27		
28	Black C6X18B or Zinc C6X18Z		Black C8X24B or Zinc C8X24Z		Black C10X30B or Zinc C10X30Z		
29	P-LB008-29		P-LB015-29		P-LB030-29		
30-LB	P-NPL-LB008	P-NPL-LB010	P-NPL-LB015		P-NPL-LB030	P-NPL-LB060	P-NPL-LB090
30-LC	P-NPL-LD008	P-NPL-LD010	P-NPL-LD015	P-NPL-LD020	P-NPL-LD030	P-NPL-LD060	P-NPL-LD090
*31	P-LB008-31	P-CB010-23	P-CB015-23	P-CB020-23	P-LB030-31	P-LB060-31	P-LB090-31
32	P-CB005-13		P-CB015-13		P-LB030-32		
*33	P-LB008-33	P-CB010-34	P-CB015-34	P-CB020-34	P-LB030-33		
*33R	P-LB008-33R	P-CB010-34R	P-CB015-34R	P-CB020-34R	P-LB030-33R	P-LB060-33R	P-LB090-33R
34	P-CB010-4		P-CB020-4		P-LB030-34		
35	P-M8 NUT LOCK		P-M10 NUT LOCK		P-M12 NUT LOCK		
37(NS)	(NS) M6 NUT HEX		(NS) M8 NUT HEX				
38(NS)	(NS) M6 WASHER LOCK			(NS) M8 WASHER LOCK			
39(NS)	(NS) M6X10 HEXHD		(NS) M8X15 HEXHD				
40	P-M10 NUT CASTLE-9						
41(NS)	(NS) M25X25 COTTER						
42	P-M6 NUT LOCK		P-M8 NUT LOCK		P-M10 NUT LOCK		
44(NS)	(NS) M5X10 RNDHD						
45 (NS)	(NS) M5 WASHER LOCK						
46	P-M2.5X6 SCREW DRIVE						
47	P-28MM RING EXT		P-34MM RING EXT		P-45 MM RING EXT		
*48	P-CB005-8	P-CB010-8	P-CB015-8	P-CB020-8	P-CB030-50	P-LB060-48	P-LB090-48
50						P-LB060-50K	P-LB090-50K
58						P-LB060-58K	P-LB090-58K
58R						P-LB060-58RK	P-LB090-58RK

(NS) Not Sold, Standard Hardware Item

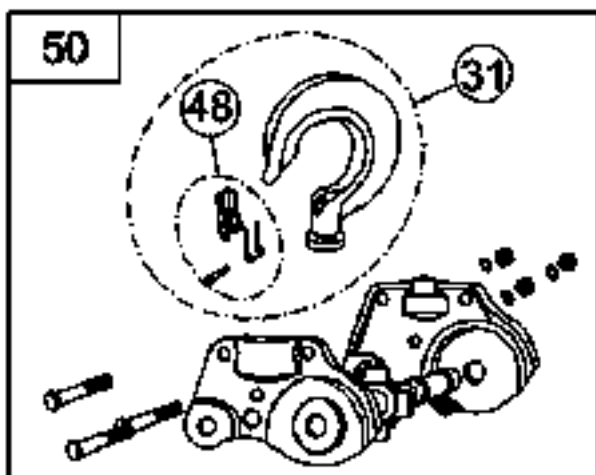
\* Recomendado, Recommandé, Recomendado



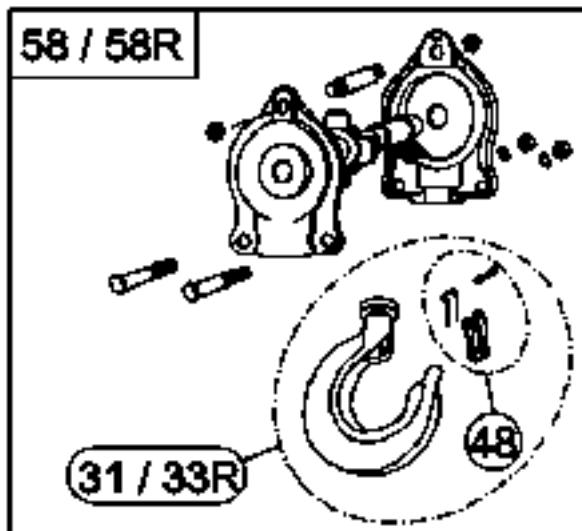
6t



- 31 = Standard Hook**
- 33R = Roller Brg. Hook**
- 58 = Standard Block Asy.**
- 58R = Roller Brg Block Asy.**



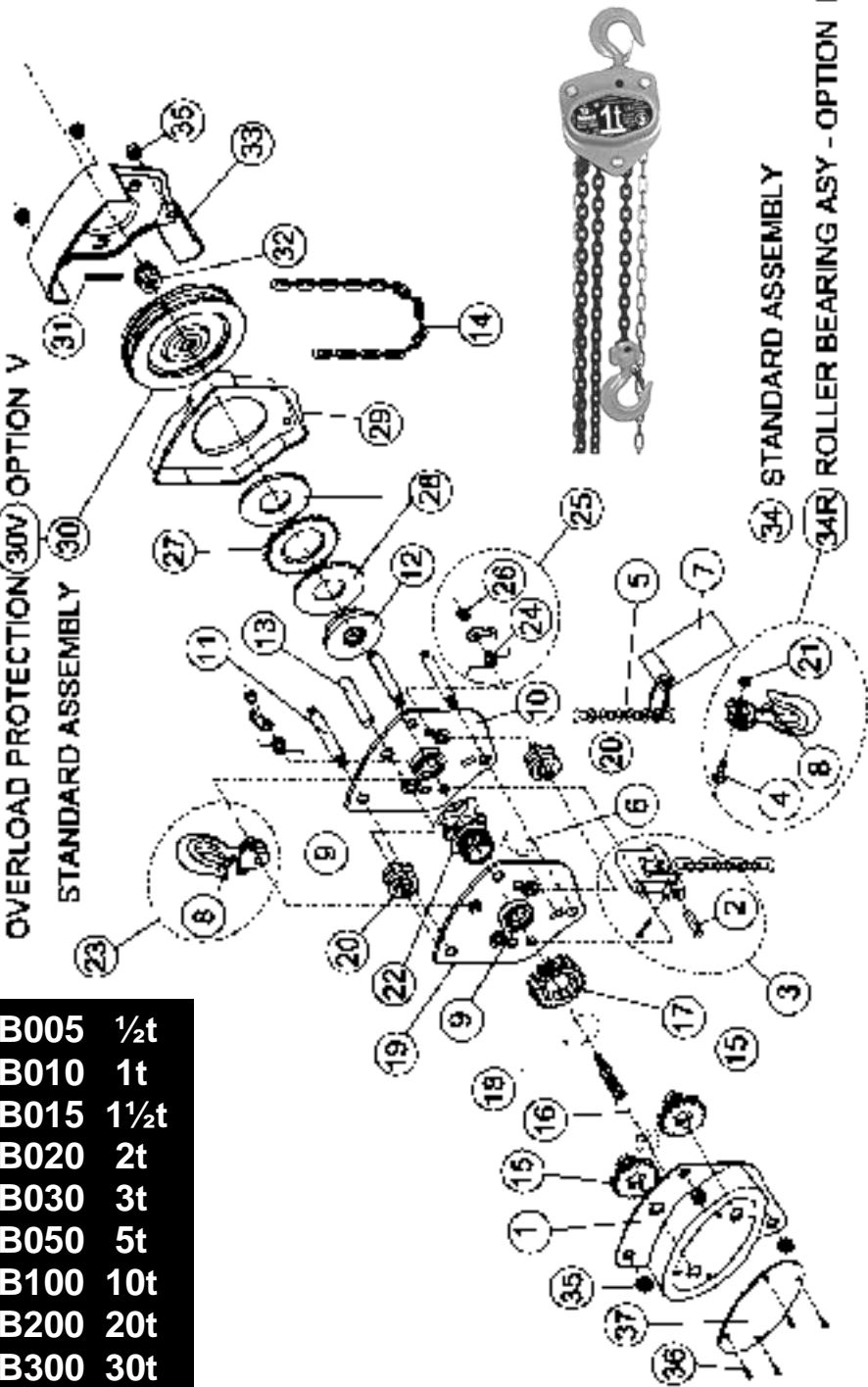
9t



- 31 = Standard Hook
- 33R = Roller Brg. Hook
- 58 = Standard Block Asy.
- 58R = Roller Brg Block Asy.

OVERLOAD PROTECTION (30V) OPTION V

STANDARD ASSEMBLY

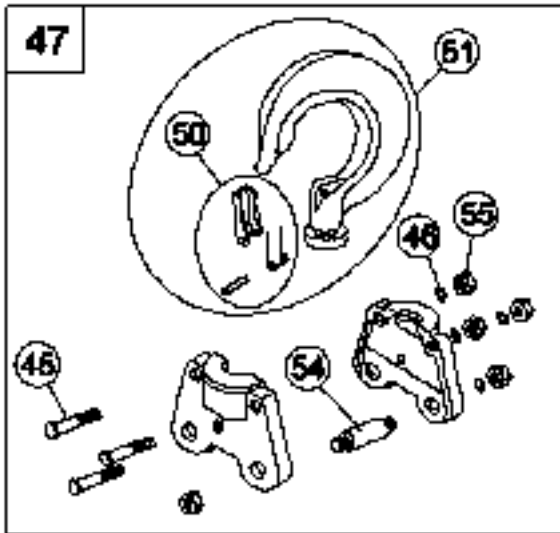


CB005	1/2t
CB010	1t
CB015	1 1/2t
CB020	2t
CB030	3t
CB050	5t
CB100	10t
CB200	20t
CB300	30t

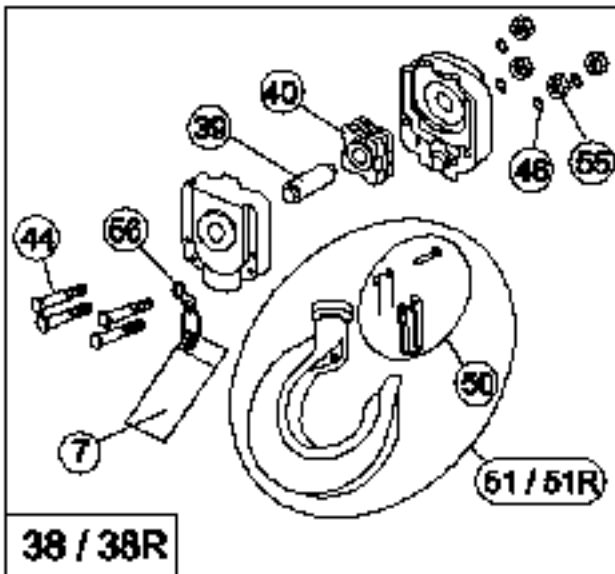
#	CB005 (1/2t)	CB010 (1t)	CB015 (1.5t)	CB030 (3t)	CB020 (2t)	CB050, 100, 200 & 300 (5t) (10t) (20t) (30t)
1	P-CB005-1	P-CB010-1	P-CB015-1		P-CB020-1	P-CB050-1
2	P-CB005-2	P-CB010-2	P-CB015-2		P-CB020-2	P-CB050-2
3	P-CB005-3		P-CB015-3			P-CB050-3
4	P-CB005-4	P-CB010-4	P-CB020-4		P-CB020-4	
5	C6X18B or Z		C8X24B or Z			C10X30B or Z
6	P-CB005-6		P-CB015-6			P-CB050-6
*7	P-WARN-M					
*8	P-CB005-8	P-CB010-8	P-CB015-8		P-CB020-8	
*9	P-CB005-9		P-CB015-9			P-CB050-9
10	P-CB005-10	P-CB010-10	P-CB015-10		P-CB020-10	P-CB050-10
11	P-CB005-11	P-CB010-11	P-CB015-11		P-CB020-11	P-CB050-11
12	P-CB005-12	P-CB010-12	P-CB015-12			P-CB050-12
13	P-CB005-13		P-CB015-13			P-CB050-13
14	C5X25Z					
15	P-CB005-15	P-CB010-15	P-CB015-15		P-CB020-15	P-CB050-15
16	P-CB005-16	P-CB010-16	P-CB015-16			P-CB050-16
17	P-CB005-17	P-CB010-17	P-CB015-17		P-CB020-17	P-CB050-17
18	P-CB005-18	P-28MM RING EXT	P-34MM RING EXT			P-45 MM RING EXT
19	P-CB005-19A	P-CB010-19	P-CB015-19		P-CB020-19	P-CB050-19
20	P-CB005-20		P-CB015-20			P-CB050-20
21	P-M6 NUT LOCK		P-M8 NUT LOCK		P-M8 NUT LOCK	
22	P-CB005-22	P-LB008-6	P-LB015-6		P-CB020-22	P-CB050-22
*23	P-CB005-23	P-CB010-23	P-CB015-23		P-CB020-23	
24	P-CB005-24		P-CB015-24			P-CB050-24
*25	P-CB005-25K		P-CB015-25K			
26	P-CB005-26		P-CB015-26			P-CB050-26
27	P-CB005-27	P-CB010-27	P-CB015-27			P-CB050-27
*28	P-CB005-28	P-CB010-28	P-CB015-28			P-CB050-28
29	P-CB005-29	P-CB010-29	P-CB015-29		P-CB020-29	P-CB050-29
30	P-CB005-30	P-CB010-30	P-CB015-30		P-CB020-30	P-CB050-30
30V	P-CB005-30V	P-CB010-30V	P-CB015-30V		P-CB020-30V	5t = P-CB050-30V 10t = P-CB100-30V 20&30t = P-CB300-30V
31	M3.2X28 COTTER					
32	P-M10 NUT CASTLE-9		P-M12 NUT CASTLE-12			
33	P-CB005-33	P-CB010-33	P-CB015-33		P-CB020-33	P-CB050-33
*34	P-CB005-34	P-CB010-34	P-CB015-34		P-CB020-34	
*34R	P-CB005-34R	P-CB010-34R	P-CB015-34R		P-CB020-34R	
35	P-M8 NUT LOCK		P-M10 NUT LOCK			P-M12 NUT LOCK
36	P-M2.5X6 SCREW DRIVE					
37	P-NPL-CB005	P-NPL-CB010	P-NPL-CB015	P-NPL-CB030	P-NPL-CB020	

(NS) Not Sold, Standard Hardware Item

\* Recomendado, Recomendé, Recomendado

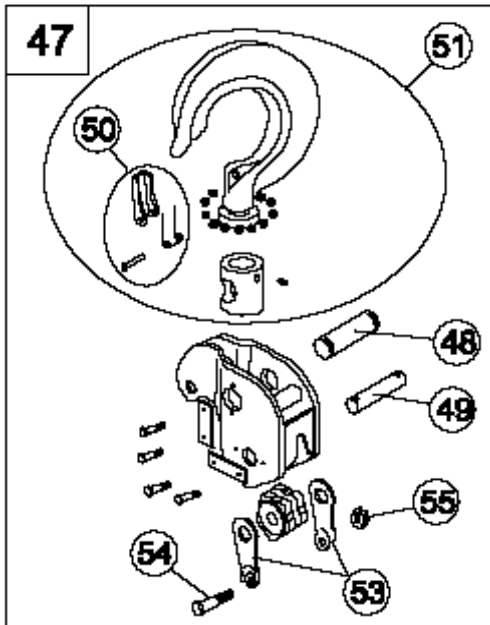


**3t CB030**  
**5t CB050**

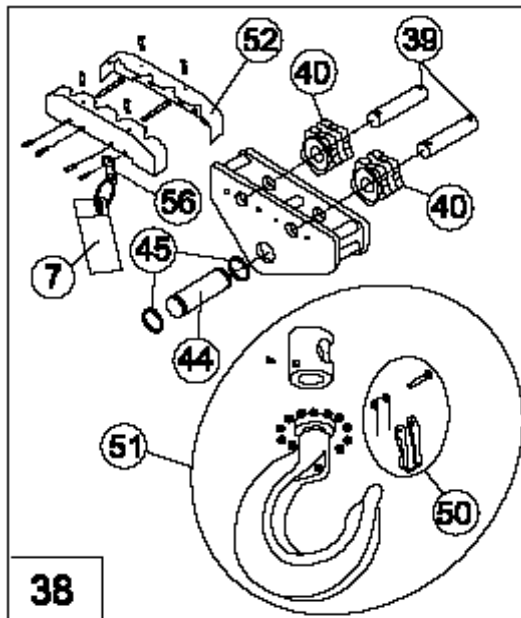


**38 / 38R**

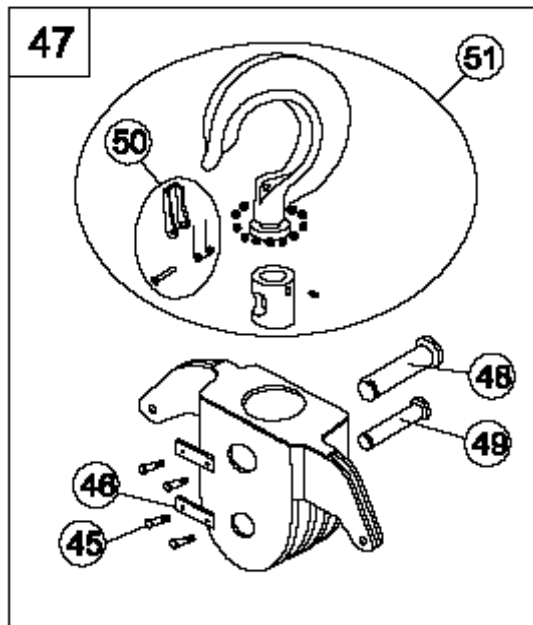
**51 = Standard Hook Assembly**  
**36 = Standard Block Assembly**  
**51R = Roller Brg Bottom Hook Asy.**  
**36R = Roller Brg Block Asy.**



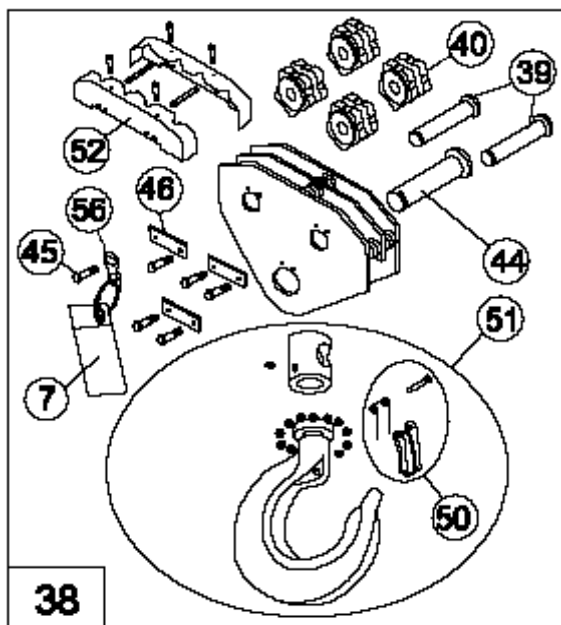
## 10t CB100

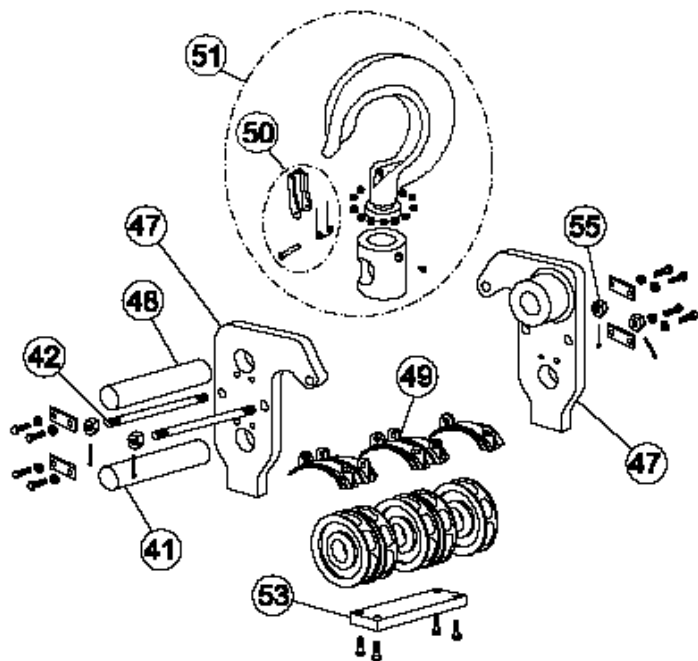




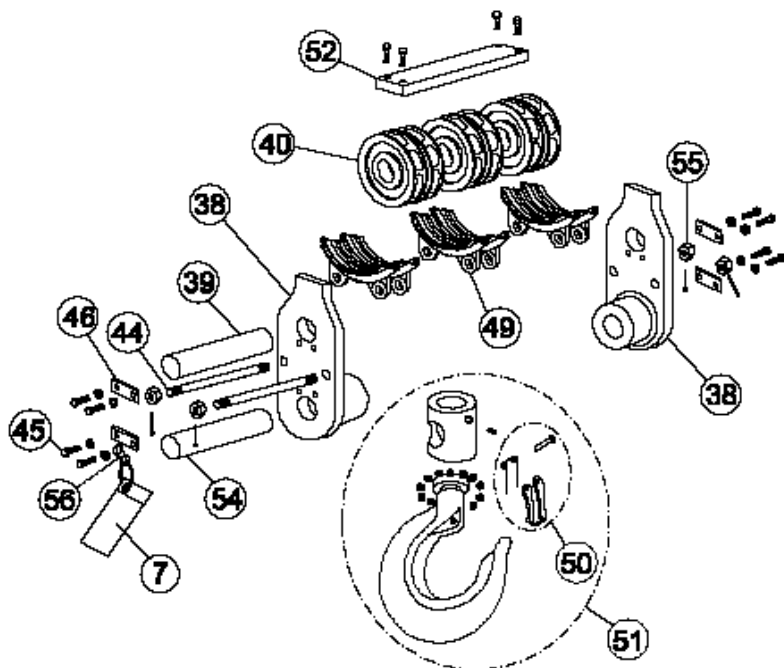


## 20t CB200





### 30t CB300



#	CB030 (3t)	CB050 (5t)	CB100 (10t)	CB200 (20t)	CB300 (30t)
37	P-NPL-CB030	P-NPL-CB050	P-NPL-CB100	P-NPL-CB200	P-NPL-CB300
38	P-CB030-38K	P-CB050-38K	P-CB100-38K	P-CB200-38K	P-CB300-38
38B	P-CB030-38KB	P-CB050-38KB			
39	P-CB030-39	P-CB050-39	P-CB100-39	P-CB200-39	P-CB300-39
40	P-CB030-40	P-CB050-40	P-CB100-40	P-CB200-40	P-CB300-40
41					P-CB300-41
42					P-CB300-42
44	P-CB030-44	P-CB050-44	P-CB100-44	P-CB200-44	P-CB300-44
45	P-CB030-45	P-CB050-45	P-CB100-45	P-CB200-45	P-CB300-45
46	P-CB030-46	P-CB050-46	P-CB100-46	P-CB200-46	P-CB300-46
47	P-CB030-47K	P-CB050-47K	P-CB100-47K	P-CB200-47K	P-CB300-47
48			P-CB100-48	P-CB200-48	P-CB300-48
49			P-CB100-49	P-CB200-49	P-CB300-49
*50	P-CB030-50	P-CB050-50	P-CB100-50	P-CB200-50	
*51	P-CB030-51	P-CB050-51	P-CB100-51	P-CB200-51	P-CB300-51
*51R	P-CB030-51R	P-CB050-51R			
52			P-CB100-52	P-CB200-52	P-CB300-52
53			P-CB100-53		
54			P-CB100-54	P-CB300-54	
55	P-CB030-55	P-CB050-55	P-CB100-55	P-CB300-55	
56	P-CB030-56				

(NS) Not Sold, Standard Hardware Item

\* Recommended, Recomendé, Recomendado

**DECLARATION OF CONFORMITY**

(ES) DECLARACIÓN DE CONFORMIDAD  
(FR) CERTIFICAT DE CONFORMITÉ,

All Material Handling

345 N. Canal Street Suite #C1  
Chicago, IL 60606

Supplier's Name:  
(ES) nombre del proveedor  
(FR) nom du fournisseur

Address:  
(ES) domicilio  
(FR) adresse

Declare under our sole responsibility that the product::  
Model: CB, LB, LC, LZ, TBC, TG, TP, TTG &TTP

(ES) Declaramos que, bajo nuestra responsabilidad exclusiva, el producto: Torno Modelo  
CB, LB, LC, LZ, TBC, TG, TP, TTG, y TTP  
(FR) Déclarons sous notre seule responsabilité que le produit: Grue Modele et  
CB, LB, LC, LZ, TBC, TG, TP, TTG, et TTP

To which this declaration relates, is in compliance with provisions of  
ASME B30.16 and ASME B30.21

(ES) a los que se refiere la presente declaración, cumplen con todo lo establecido en las ASME  
B30.16 y ASME B30.21.  
(FR) objet de ce certificat, est conforme aux prescriptions des ASME B30.16 et ASME B30.21

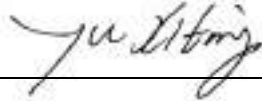
Serial Number Range:  
> 0300000-06 Date: May, 2006

(ES) Gama de No. de Serie:  
> 0300000-06 Fecha: Pueda, 2006  
(FR) No. Serie:  
> 0300000-06 Date: Pouvoir, 2006

Approved By:

Yu Xiting  
Managing Director, Factory

(ES) Aprobado por:  
(FR) Approuvé par:



**North America**

All Material Handling  
345 N. Canal Street, Suite #C1  
Chicago, IL 60606



(312) 698-8658

Toll Free# (877) LIFT AMH

[Sales@allmaterialhandling.com](mailto:Sales@allmaterialhandling.com)



[www.allmaterialhandling.com](http://www.allmaterialhandling.com)