



RDC A crane in Your Hand

- Innovative "Single Hand" radio remote control by Hetriconic
- Transmitter with compact dimensions and minimal weight
 - Proportional speed control
 - Single-hand control of every crane function by radio
 - Radio controlled stabilizers (safety condition)
 - Cable control option (optional)
 - Transmitter operation with two 'AA' batteries.*



FUNCTION SELECTION

PROPORTIONAL SPEED CONTROL

(*)



300

| MODELS | LIFTING MOMENT lbf·ft | HORIZ. EXTENSION ft | MAX REACH LIFTING CAPACITY lb | SLEWING ANGLE ° | WEIGHT lb | PRESSURE psi | DIMENSION in (BxHxD) |
|--------|--------------------------|------------------------|----------------------------------|--------------------|--------------|-----------------|-------------------------|
| 308 A1 | 6200 | 6' 3" | 980 | 350 | 320 | 2470 | 24x49x15 |
| 308 A2 | 6100 | 9' 2" | 640 | 350 | 390 | 2470 | 26x49x15 |
| 310 A1 | 6700 | 6' 3" | 1065 | 350 | 320 | 2610 | 24x49x15 |
| 310 A2 | 6700 | 9' 2" | 680 | 350 | 390 | 2610 | 26x49x15 |
| 315 A1 | 9200 | 6' 3" | 1465 | 335 | 380 | 2180 | 27x49x17 |
| 315 A2 | 9100 | 9' 2" | 955 | 335 | 440 | 2180 | 29x49x17 |
| 317 A1 | 10300 | 6' 3" | 1650 | 335 | 380 | 2540 | 27x49x17 |
| 317 A2 | 10200 | 9' 2" | 1080 | 335 | 440 | 2540 | 29x49x17 |
| 322 A1 | 14500 | 7' 1" | 2025 | 335 | 480 | 2320 | 28x59x17 |
| 322 A2 | 14300 | 10' 5" | 1355 | 335 | 540 | 2320 | 29x59x17 |
| 322 A3 | 12900 | 13' 8" | 890 | 335 | 580 | 2320 | 35x61x17 |
| 326 A1 | 17200 | 7' 3" | 2365 | 335 | 530 | 2540 | 36x61x17 |
| 326 A2 | 17000 | 10' 6" | 1570 | 335 | 590 | 2540 | 39x61x17 |
| 326 A3 | 16100 | 13' 9" | 1120 | 335 | 630 | 2540 | 39x61x17 |
| 330 A1 | 19900 | 7' 5" | 2660 | 335 | 580 | 2320 | 29x63x17 |
| 330 A2 | 19700 | 10' 8" | 1795 | 335 | 660 | 2320 | 30x63x17 |
| 330 A3 | 19500 | 13' 11" | 1320 | 335 | 710 | 2320 | 30x63x17 |
| 335 A1 | 24950 | 8' 2" | 3042 | 335 | 670 | 2320 | 38x67x20 |
| 335 A2 | 24740 | 11' 11" | 2039 | 335 | 750 | 2320 | 41x67x20 |
| 335 A3 | 24520 | 15' 8" | 1488 | 335 | 820 | 2320 | 41x67x20 |
| 335 A4 | 24300 | 19' 5" | 1146 | 335 | 880 | 2320 | 41x67x20 |

- STANDARD**
- 335° Slewing angle
 - 410° Optional mod. 335
- OPTIONAL**
- US Gal Oil Tank
 - Standard Overload device
- 315 - 317 - 322 - 326 - 330 - 335 (CE)

NECESSARY SPACE FOR INSTALLATION (Inches)

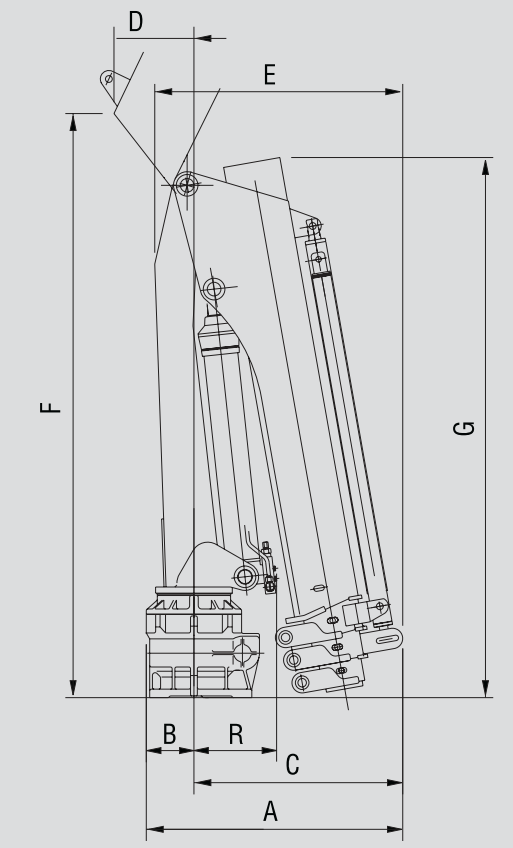
| mod. | STD | With Extra function |
|-------|------|---------------------|
| 308A1 | 13.4 | - |
| 308A2 | 13.4 | - |
| 310A1 | 13.4 | - |
| 310A2 | 13.4 | - |
| 315A1 | 16.6 | - |
| 315A2 | 16.6 | - |
| 317A1 | 16.6 | - |
| 317A2 | 16.6 | - |
| 322A1 | 18.5 | 18.5 |
| 322A2 | 18.5 | 18.5 |
| 322A3 | 18.5 | 18.5 |
| 326A1 | 18.5 | 18.5 |
| 326A2 | 18.5 | 18.5 |
| 326A3 | 18.5 | 18.5 |
| 330A1 | 19.7 | - |
| 330A2 | 19.7 | - |
| 330A3 | 19.7 | - |
| 335A1 | 20 | 20 |
| 335A2 | 20 | 20 |
| 335A3 | 20 | 20 |
| 335A4 | 20 | 20 |



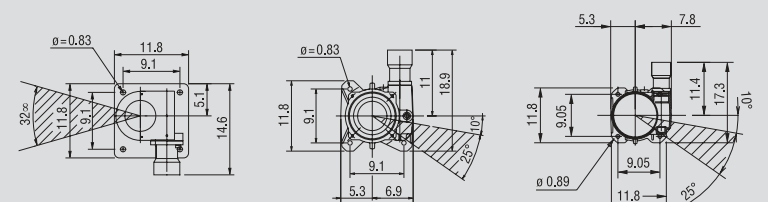
F.lli FERRARI CORPORATION S.p.A.
Via Pasubio, 3
42022 Boretto (RE) Italy
Tel. +39 0522/486311
Fax +39 0522/486330
E-mail: marketing@flliferrari.it
www.flliferrari.com

COMPANY WITH QUALITY MANAGEMENT SYSTEM CERTIFIED BY DNV = ISO 9001/2000 =

<https://cranemanuals.com>



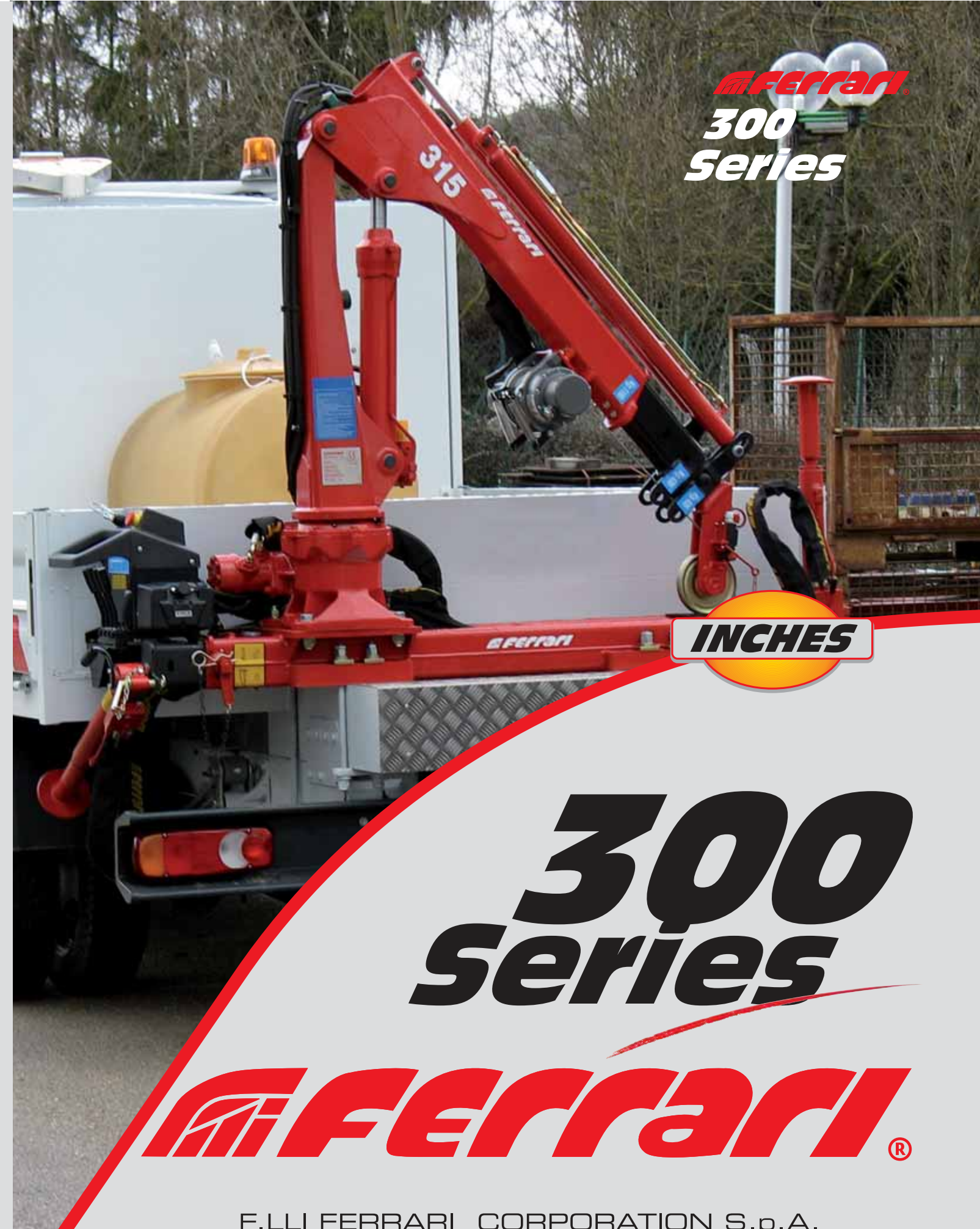
| | A | B | C | D | E | F | G | R |
|--------|-----|----|-----|-----|-------|-----|-----|-----|
| 308 A1 | 23" | 4" | 19" | 13" | 20" | 52" | 49" | 6" |
| 308 A2 | 25" | 4" | 21" | 13" | 22" | 52" | 49" | 6" |
| 310 A1 | 23" | 4" | 19" | 13" | 20" | 52" | 49" | 6" |
| 310 A2 | 25" | 4" | 21" | 13" | 22" | 52" | 49" | 6" |
| 315 A1 | 25" | 5" | 21" | 13" | 24" | 53" | 49" | 8" |
| 315 A2 | 26" | 5" | 21" | 13" | 25" | 53" | 49" | 8" |
| 317 A1 | 25" | 5" | 21" | 13" | 24" | 53" | 49" | 8" |
| 317 A2 | 26" | 5" | 21" | 13" | 25" | 53" | 49" | 8" |
| 322 A1 | 27" | 5" | 22" | 13" | 27" | 64" | 59" | 9" |
| 322 A2 | 28" | 5" | 23" | 13" | 28" | 64" | 59" | 9" |
| 322 A3 | 34" | 5" | 29" | 13" | 34" | 64" | 60" | 9" |
| 326 A1 | 36" | 5" | 31" | 15" | 39" | 64" | 60" | 9" |
| 326 A2 | 39" | 5" | 34" | 15" | 39.5" | 64" | 60" | 9" |
| 326 A3 | 39" | 5" | 34" | 15" | 39.5" | 64" | 60" | 9" |
| 330 A1 | 29" | 6" | 23" | 9" | 28" | 68" | 63" | 10" |
| 330 A2 | 30" | 6" | 24" | 9" | 29" | 68" | 63" | 10" |
| 330 A3 | 30" | 6" | 24" | 9" | 29" | 68" | 63" | 10" |
| 335 A1 | 39" | 6" | 33" | 11" | 38" | 69" | 67" | 10" |
| 335 A2 | 41" | 6" | 35" | 11" | 40" | 69" | 67" | 10" |
| 335 A3 | 41" | 6" | 35" | 11" | 40" | 69" | 67" | 10" |
| 335 A4 | 41" | 6" | 35" | 11" | 40" | 69" | 67" | 10" |



308
310
inches

315
317
322
326
inches

330
335
inches



Ferrari 300 Series

INCHES

300 Series



F.LLI FERRARI CORPORATION S.p.A.

M.K.T. 5800128 5/07 3000 REV.1 Data, descriptions and illustrations are merely indicative and not binding. Cranes manufactured and/or marketed by F.lli Ferrari

Ferrari®

from 6.000 to 25.000 lb x ft

300 Series

The crane 300 Series from F.lli Ferrari has been projected and manufactured with high quality technical and mechanical characteristics

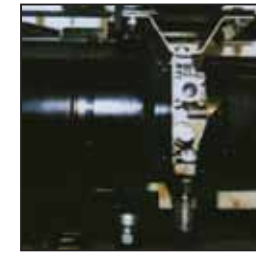
- High tensile strength steel
- Cast base (no 308-310)
- Structure fully sandblasted
- Hexagonal booms
- Hydraulic extensions
- Flanged valves (no 308-310)
- Control panel with customised position
- Control cover of ABS plastic
- Worm and gear rotation
- Independent telescopic cylinders
- Sliding pad on telescopic extensions
- Self-lubricating bushings
- SAE JIC 1514I fittings
- Turning hook
- Mounting kit included

Accessories

- Extra elements activation (on 322-326-330-335)
- Manually opening outriggers
- Oil Tank
- Mechanical booms
- Turning outriggers
- Electro-hydraulic gearbox
- Load radio checking device RLC
- Limiting device
- Remote control (RDC)



This device shows the load at the hook on a display placed near the controls, making safe the use of the mechanical booms following the European rule EN 12999.



| | | | | | | | |
|---------------|----|-------|-------|--------|--------|--------|-------|
| 308 A1 | ft | 3'7" | 6'3" | 9'2" | 12'0" | | |
| | lb | 1735 | 980 | 650 | 475 | | |
| 308 A2 | ft | 3'9" | 6'6" | 9'2" | 12'0" | | |
| | lb | 1625 | 915 | 640 | 475 | | |
| 310 A1 | ft | 3'7" | 6'3" | 9'2" | 12'0" | | |
| | lb | 1890 | 1065 | 695 | 505 | | |
| 310 A2 | ft | 3'9" | 6'6" | 9'2" | 12'0" | | |
| | lb | 1760 | 990 | 680 | 505 | | |
| 315 A1 | ft | 3'7" | 6'3" | 9'2" | 12'0" | | |
| | lb | 2585 | 1465 | 980 | 695 | | |
| 315 A2 | ft | 3'9" | 6'6" | 9'2" | 12'0" | | |
| | lb | 2420 | 1385 | 955 | 695 | | |
| 317 A1 | ft | 3'7" | 6'3" | 9'2" | 12'0" | | |
| | lb | 2895 | 1650 | 1100 | 705 | | |
| 317 A2 | ft | 3'9" | 6'6" | 9'2" | 12'0" | | |
| | lb | 2075 | 1550 | 1080 | 705 | | |
| 322 A1 | ft | 4'1" | 7'1" | 10'5" | 13'7" | | |
| | lb | 3500 | 2025 | 1375 | 880 | | |
| 322 A2 | ft | 4'4" | 7'5" | 10'5" | 13'7" | | |
| | lb | 3256 | 1915 | 1355 | 880 | | |
| 322 A3 | ft | 4'7" | 7'7" | 10'8" | 13'8" | 16'10" | |
| | lb | 2795 | 1640 | 1144 | 890 | 635 | |
| 326 A1 | ft | 4'2" | 7'3" | 10'6" | 13'9" | | |
| | lb | 4100 | 2365 | 1580 | 1155 | | |
| 326 A2 | ft | 4'5" | 7'5" | 10'6" | 13'9" | | |
| | lb | 3850 | 2220 | 1570 | 1155 | | |
| 326 A3 | ft | 4'8" | 7'8" | 10'9" | 13'9" | 16'10" | |
| | lb | 3440 | 2045 | 1450 | 1120 | 900 | |
| 330 A1 | ft | 4'4" | 7'5" | 10'8" | 13'11" | | |
| | lb | 4520 | 2660 | 1805 | 1340 | | |
| 330 A2 | ft | 4'7" | 7'7" | 10'8" | 13'11" | | |
| | lb | 4255 | 2530 | 1795 | 1320 | | |
| 330 A3 | ft | 4'10" | 7'10" | 10'11" | 13'11" | 17'1" | |
| | lb | 4025 | 2410 | 1705 | 1320 | 1010 | |
| 335 A1 | ft | 4'9" | 8'2" | 11'11" | 15'8" | 19'5" | 23'0" |
| | lb | 5270 | 3040 | 2060 | 1520 | 1170 | 890 |
| 335 A2 | ft | 5'0" | 8'6" | 11'11" | 15'8" | 19'5" | 23'0" |
| | lb | 4970 | 2890 | 2040 | 1520 | 1170 | 890 |
| 335 A3 | ft | 5'3" | 8'8" | 12'2" | 15'8" | 19'5" | 23'0" |
| | lb | 4700 | 2760 | 1930 | 1490 | 1170 | 890 |
| 335 A4 | ft | 5'6" | 8'11" | 12'5" | 15'11" | 19'5" | 23'0" |
| | lb | 4430 | 2610 | 1830 | 1400 | 1150 | 890 |

B3

Ferrari