

KEYSHEET AND GENERAL INFORMATION

DATE 3/18/11
PAGE 1

ORDER NO.- R3027 MODEL - RTC-80130 II SERIAL NO. - R3K1-2005

DISTRIBUTOR: KELLY TRACTOR CO.
ENGINE:
 MODEL- CAT C9 SERIES
 S/N- JSC13013
 OPERATION- SEBU7772
 PARTS- SEBP4132

SALES ORDER: 022005
TRANSMISSION:
 MODEL- N/A
 S/N- N/A
 OPERATION- N/A

O/M BOOK- 1143041410
ADDENDUMS - NONE
TECH BULLETINS - NONE
MISCELLANEOUS - HOIST ROPE CAUTION

AEM: BOOK- C-70-2
VIDEO- DVD-CR

| PARTS PAGE | DESCRIPTION | PARTS PAGE | DESCRIPTION |
|---------------|------------------------------------|---------------|--|
| 01 | RUBBER TIRE LOWER | 01 | RUBBER TIRE LOWER |
| ***** | | | |
| 01-001-452.00 | CARRIER MIRROR INSTALL | 01-090-005.00 | 2 SPEED HYDRAULIC DRIVE MOTOR ASSY |
| 01-001-454.00 | TOWING SHACKLES | 01-090-006.00 | 1 SPEED HYDRAULIC DRIVE MOTOR ASSY |
| 01-001-455.00 | SKID PLATE INSTALLATION | 01-091-016.00 | HYDRAULIC DRIVE PLUMBING |
| 01-001-549.00 | SHEET METAL INSTALLATION | 01-091-018.00 | WHEEL DRIVE MANIFOLD INSTALLATION |
| 01-001-551.00 | SAND STRIP INSTALLATION | 01-091-019.00 | MANIFOLD BLOCK ASSY |
| 01-007-041.00 | STEER CYLINDER ASSY | 01-091-020.00 | HYDRAULIC DRIVE MOTORS & SUSPENSION INSTALLATION |
| 01-009-081.00 | REAR STEER INDICATOR INSTALLATION | 03 | UPPER FRAME & MACHY |
| 01-025-042.00 | BRAKE CALIPER ASSY | ***** | |
| 01-037-033.00 | BEAM CYLINDER ASSY | 03-002-057.00 | SEAT ASSY |
| 01-043-047.00 | 2 WAY VALVE STACK ASSY | 03-003-256.00 | 43,000 LB COUNTERWEIGHT INSTALLATION |
| 01-043-056.00 | 2 SECT STEER VALVE ASSY | 03-006-133.00 | 2 POSITION SWING LOCK |
| 01-043-059.00 | 4 WAY SOLENOID VALVE ASSY | 03-010-136.00 | CTWT CYLINDER ASSY |
| 01-043-064.00 | 4 WAY DIRECTIONAL VALVE ASSY | 03-010-138.00 | COUNTERWEIGHT REMOVAL PLUMBING |
| 01-045-162.00 | O/R BEAM, CYLINDERS & LMS | 04 | VERTICAL SHAFTS |
| 01-046-089.00 | JACK CYLINDER ASSY | ***** | |
| 01-047-050.00 | PRESSURE REDUCING VALVE ASSY | 04-010-090.00 | SWING REDUCTION & TT BRG INSTALLATION |
| 01-048-203.00 | ROTATING JOINT & CENTER SECTION | 04-010-092.00 | SWING REDUCTION UNIT WITH PINION ASSY |
| 01-049-048.00 | PONTOON INSTALLATION | 05 | HORIZONTAL SHAFTS |
| 01-067-213.00 | CARRIER WIRING | ***** | |
| 01-069-333.00 | TIRE & WHEEL ASSY | 05-006-102.00 | WINCH ASSY |
| 01-070-021.00 | PINFLE HOOK ASSY | 05-006-174.00 | REAR WINCH INSTALLATION |
| 01-070-024.00 | PINFLE HOOK INSTALLATION | 05-006-181.00 | FRONT WINCH INSTALLATION |
| 01-076-116.00 | COLLECTOR RING ASSY | 05-018-024.00 | FRONT WINCH MIRROR & DEFLECTOR INSTALLATION |
| 01-078-074.00 | OSCILLATION CYLINDER ASSY | | |
| 01-078-078.00 | OSCILLATION LOCKOUT MANIFOLD ASSY | | |
| 01-079-209.00 | LOWER MAIN HYDRAULICS | | |
| 01-082-019.00 | HYD OUTRIGGER PIN REMOVAL | | |
| 01-082-021.00 | O/R PIN CYLINDER ASSY | | |
| 01-090-004.00 | 2 SPEED HYDRAULIC DRIVE MOTOR ASSY | | |

KEYSHEET AND GENERAL INFORMATION

DATE 3/18/11
PAGE 2

ORDER NO.- R3027 MODEL - RTC-80130 II SERIAL NO. - R3K1-2005

| PARTS PAGE | DESCRIPTION | PARTS PAGE | DESCRIPTION |
|---------------|---|---------------|--|
| 05 | HORIZONTAL SHAFTS | 07 | UPPER HYDRAULICS & AIR |
| ***** | | | |
| 05-018-025.00 | WINCH MIRROR INSTALLATION | 07-008-517.00 | SINGLE AXIS CONTROLLER ASSY |
| 06 | UPPER ENGINE | 07-008-518.00 | SINGLE AXIS CONTROLLER ASSY |
| ***** | | | |
| 06-001-022.00 | ENGINE & PUMP DRIVE INSTALLATION | 07-008-522.00 | HYD OFFSET FLY CONTROL VALVE ASSY |
| 06-001-024.00 | AIR INTAKE & EXHAUST INSTALLATION | 07-008-531.00 | PRESSURE REDUCING VALVE ASSY |
| 06-001-025.00 | RADIATOR, AIR & OIL COOLER ASSY | 07-010-380.00 | SEAT & SGL AXIS CONTROLS |
| 06-001-027.00 | ENGINE BLOCK HEATER INSTALLATION | 07-011-045.00 | HYDRAULIC RESERVOIR |
| 06-001-034.00 | RADIATOR INSTALLATION | 07-022-063.00 | STEERING COLUMN ASSY |
| 06-001-035.00 | SURGE TANK ASSY | 07-022-067.00 | STEERING CONTROL VALVE ASSY |
| 06-001-038.00 | OIL COOLER ASSY | 14 | CAB & HOUSE ASSEMBLY |
| 06-001-049.00 | FUEL TANK ASSY | ***** | |
| 06-001-050.00 | FUEL TANK INSTALLATION | 14-001-628.00 | REAR SLIDING WINDOW ASSY |
| 06-005-221.00 | AIR CLEANER ASSY | 14-001-629.00 | RIGHT SIDE SLIDING WINDOW |
| 06-029-028.00 | BATTERY SPECIFICATIONS | 14-001-647.00 | LEFT SIDE SHEET METAL INSTALLATION |
| 06-047-205.00 | UPPER FRAME WIRE HARNESS | 14-001-689.00 | TOP HATCH WINDOW ASSY |
| 06-047-237.00 | UPPER WIRING | 14-001-744.00 | UPPER CAB MOUNTING |
| 06-048-085.00 | UPPER CAB WIRE HARNESS | 14-001-756.00 | UPPER CAB STEP ASSY |
| 07 | UPPER HYDRAULICS & AIR | 14-001-779.00 | UPPER CAB ASSY |
| ***** | | | |
| 07-003-079.00 | 4 WAY SOLENOID VALVE ASSY | 14-001-807.00 | BOOM CONTROL STORAGE BOX INSTALLATION |
| 07-003-084.00 | LOCK VALVE ASSY | 14-001-811.00 | UPPER ACOUSTIC INSTALL |
| 07-004-542.00 | UPPER MAIN HYDRAULICS | 14-001-812.00 | RIGHT SIDE SHEET METAL INSTALLATION |
| 07-005-180.00 | BM HOIST/TELESCOPE/CHARGE PUMP ASSY | 16 | WIRE ROPE REQUIREMENTS |
| 07-005-183.00 | CONTROLS PUMP ASSY | ***** | |
| 07-005-184.00 | PUMP DRIVE ASSY | 16-000-001.00 | WIRE ROPE SPECIFICATIONS |
| 07-005-185.00 | CHARGE PUMP FILTER ASSY | 16-000-168.00 | TERMINATOR SOCKET & WEDGE & DRUM WEDGE |
| 07-005-187.00 | TRAVEL PUMP ASSY | 16-005-068.00 | WIRE ROPE-TYPE RB-850 FT |
| 07-005-189.00 | SWING/STEER PUMP ASSY | 16-005-084.00 | WIRE ROPE-TYPE RB-600 FT |
| 07-005-190.00 | WINCH PUMP ASSY | 17 | HYDRAULIC BOOM |
| 07-006-330.00 | SWING MOTOR ASSY | ***** | |
| 07-006-465.00 | 2 WINCH PUMPS INSTALL | 17-001-163.00 | BOOM FOOT PIN & BEARING |
| 07-006-469.00 | WINCH MOTOR ASSY | 17-001-240.00 | BASE SECTION |
| 07-006-475.00 | TWO WINCH PLUMBING | 17-001-241.00 | INNER SECTION |
| 07-008-398.00 | RELIEF VALVE ASSY | 17-001-242.00 | CENTER SECTION |
| 07-008-509.00 | BOOM HOIST/TELESCOPE CONTROL VALVE ASSY | 17-001-243.00 | OUTER SECTION |
| 07-008-511.00 | PRIORITY VALVE ASSY | | |
| 07-008-512.00 | SWING CONTROL VALVE ASSY | | |

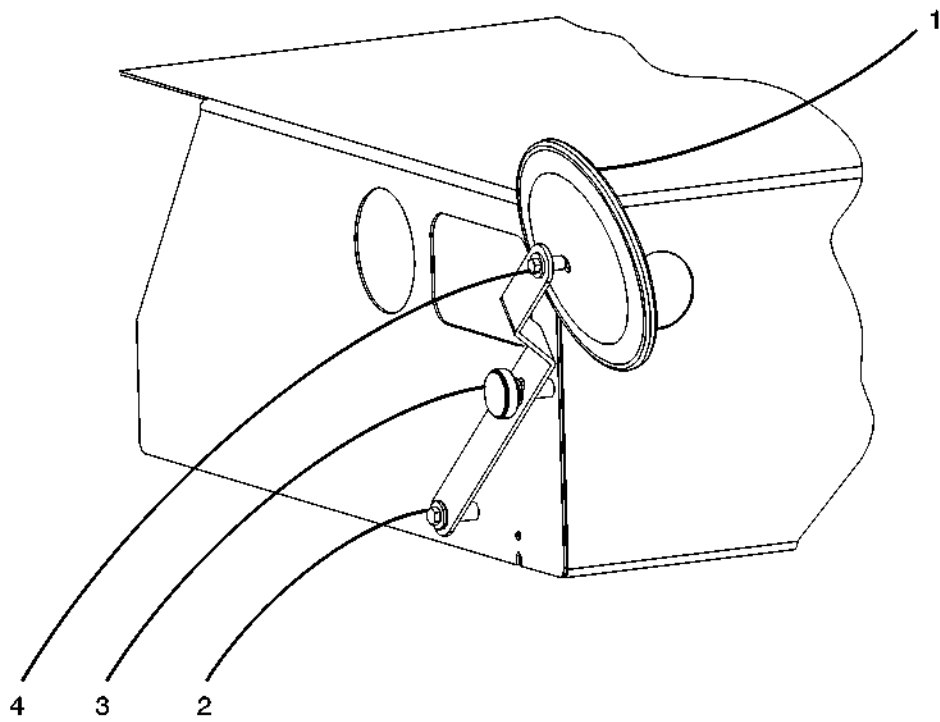
KEYSHEET AND GENERAL INFORMATION

DATE 3/18/11
PAGE 3

ORDER NO.- R3027 MODEL - RTC-80130 II SERIAL NO. - R3K1-2005

| PARTS PAGE | DESCRIPTION | PARTS PAGE | DESCRIPTION |
|---------------|--|---------------|--|
| 17 | HYDRAULIC BOOM | 18 | SPECIAL ATTACHMENTS |
| ***** | | | |
| 17-001-244.00 | TIP SECTION | 18-009-915.00 | LINK-BELT LABELS & STRIPE |
| 17-001-291.00 | 5 SECTION BOOM ASSY | 18-009-920.00 | CRANE RATING MANUAL & ID LABEL |
| 17-002-141.00 | LATCHING CYLINDER ASSY | 18-009-921.00 | 43,000 LB CTWT LABEL |
| 17-002-163.00 | PINNING CYLINDER ASSY | 18-009-945.00 | FLY EXTENSION LABELS |
| 17-002-169.00 | TELESCOPE CYLINDER ASSY | 18-009-958.00 | HYD OFFSET FLY LABELS |
| 17-002-182.00 | TELESCOPE, PIN & LATCHING CYLINDERS INSTALLATION | 18-009-975.00 | LINK-BELT GRILLE LABEL |
| 17-002-186.00 | HOSE & ELEC REEL ASSY | 18-009-992.00 | O/R PIN REMOVAL LABEL |
| 17-003-179.00 | BOOM HOIST CYL & LINES | 18-013-433.00 | WIND SPEED SYSTEM INSTALL |
| 17-003-181.00 | BOOM HOIST CYLINDER ASSY | 18-013-464.00 | RCL SYSTEM & BOOM ANGLE INDICATOR INSTALLATION |
| 17-009-106.00 | AUXILIARY LIFTING SHEAVE | 18-014-121.00 | PARK BRAKE RELEASE TOOLS |
| 17-009-114.00 | 6 SHEAVE HEAD MACHINERY | 18-014-129.00 | KEY RING & CRANE RATING MANUAL INSTALLATION |
| 17-010-435.00 | FLY TIP STORAGE BRACKETS | 18-018-070.00 | COMPRESSOR ASSY |
| 17-010-436.00 | 18 FT FLY EXTENSION WITH SHEAVE | 18-018-098.00 | UPPER HEATER & EVAPORATOR ASSY |
| 17-010-437.00 | 18 FT FLY EXTENSION ASSY | 18-018-142.00 | UPPER AIR CONDITIONING |
| 17-010-445.00 | FLY CENTER ASSY | 18-020-146.00 | SCHEMATICS |
| 17-010-446.00 | FLY TIP ASSY | | |
| 17-010-447.00 | 10 FT FLY BASE | | |
| 17-010-448.00 | 21 FT FLY CENTER | | |
| 17-010-449.00 | 24 FT FLY TIP | | |
| 17-010-460.00 | FLY BASE & CENTER STORAGE BRACKETS | | |
| 17-010-463.00 | HYDRAULIC FLY BASE ASSY | | |
| 17-011-004.00 | HOSE REEL ASSY | | |
| 17-011-005.00 | HYD OFFSET FLY CYLINDER ASSY | | |
| 17-011-006.00 | FLY EXTENSION PLUMBING | | |
| 17-011-007.00 | FLY EXTENSION WITH SHEAVE PLUMBING | | |
| 17-011-009.00 | HYD OFFSET FLY PLUMBING | | |
| 18 | SPECIAL ATTACHMENTS | | |
| ***** | | | |
| 18-004-135.00 | 12 TON SWIVEL HOOKBALL | | |
| 18-004-136.00 | 80 TON 5 SHV HOOK BLOCK | | |
| 18-004-139.00 | HOOK BLOCK TIE DOWN CABLE INSTALLATION | | |
| 18-007-259.00 | ATTACHMENT ATB SWITCH ASSY | | |
| 18-007-261.00 | ATB SWITCH ASSY | | |
| 18-007-262.00 | ATB WEIGHT ASSY | | |
| 18-007-269.00 | BOOM LENGTH & ATB REEL ASSY | | |
| 18-009-914.00 | LABELS | | |

Carrier Mirror Installation



Parts List

0102

| Carrier Mirror Installation | | | | |
|-----------------------------|-----------|-----|-----------------|---------|
| REF | PART NO. | QTY | DESCRIPTION | REMARKS |
| 1 | 53A0455 | 4 | Mirror | |
| 2 | J7A0568 | 1 | Bracket, Mirror | |
| | 126009014 | 4 | Capscrew | |
| | 128003004 | 8 | Washer | |
| | 46L0026 | 12 | Washer, Nylon | |
| 3 | J7A0576 | 4 | Knob, Clamping | |
| 4 | 128003002 | 4 | Washer | |

Towing Shackles

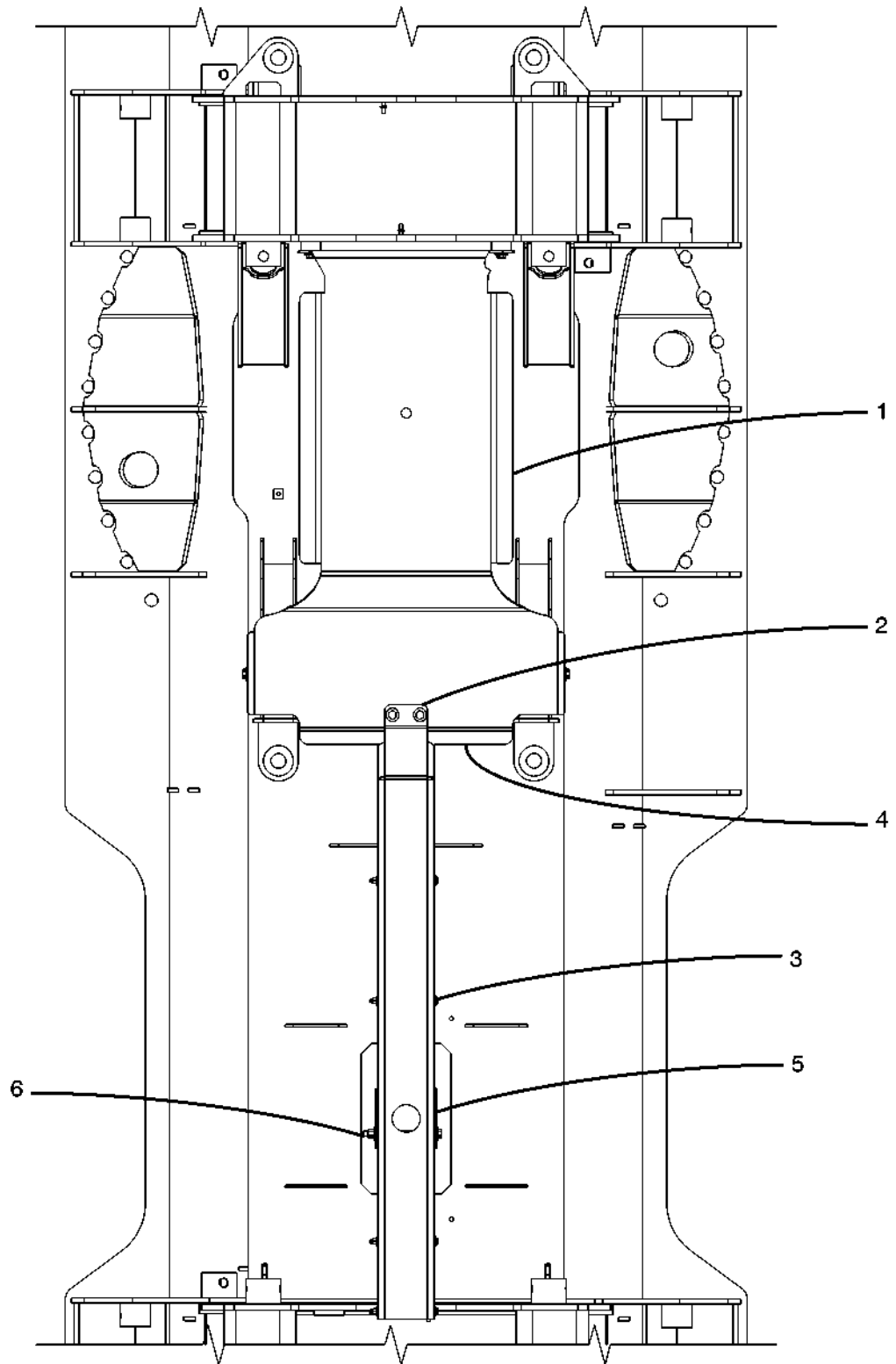
No Illustration Required

Parts List

0102

| Towing Shackles | | | | |
|-----------------|----------|-----|-----------------|---------|
| REF | PART NO. | QTY | DESCRIPTION | REMARKS |
| | 28A0204 | 2 | Anchor, Shackle | |

Skid Plate Installation

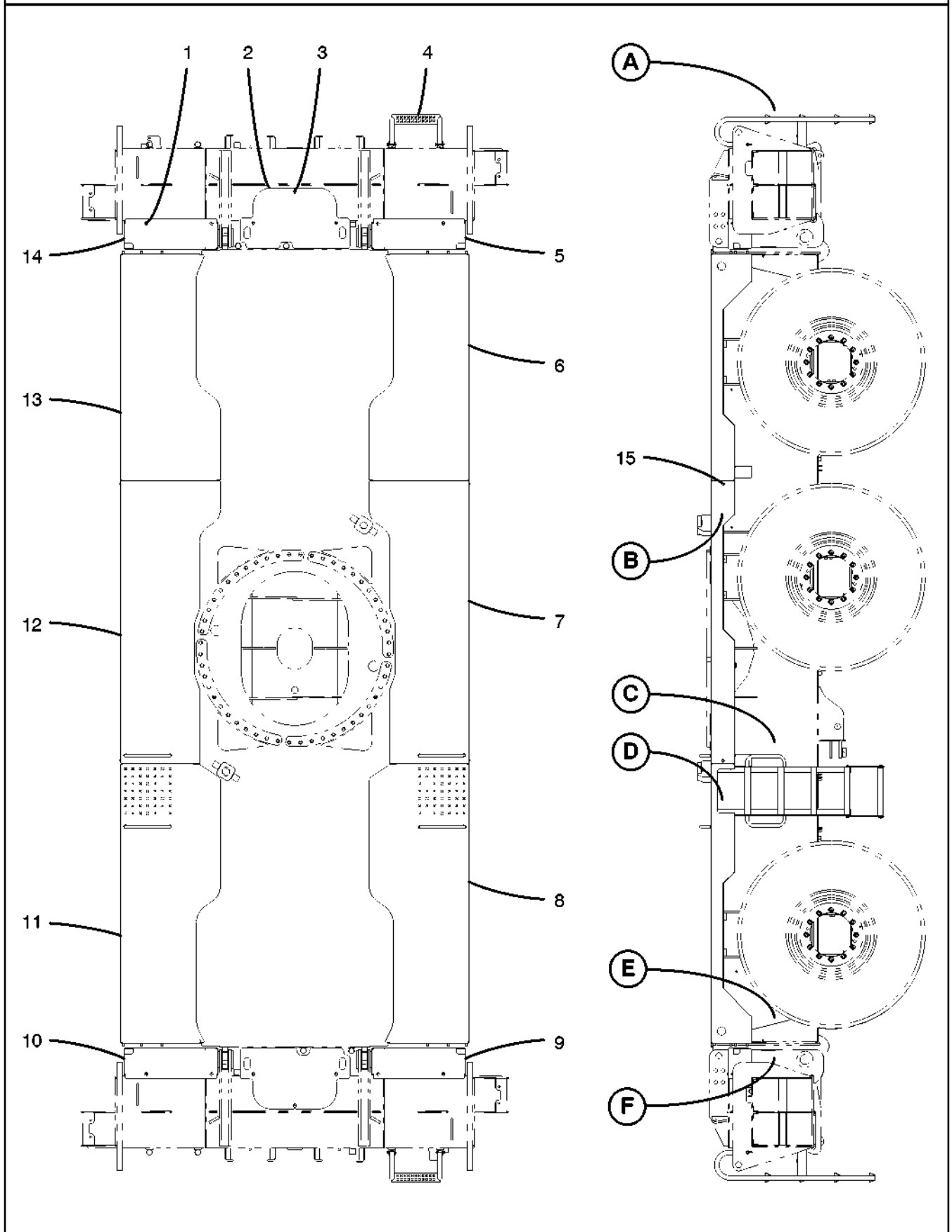


Parts List

0102

| Skid Plate Installation | | | | |
|-------------------------|-----------|-----|-------------|---------|
| REF | PART NO. | QTY | DESCRIPTION | REMARKS |
| 1 | J7A0604 | 1 | Plate, Skid | |
| | 126009026 | 4 | Capscrew | |
| | 128003006 | 4 | Washer | |
| 2 | J7A0643 | 1 | Plate, Skid | |
| | 126009028 | 2 | Capscrew | |
| | 128003006 | 4 | Washer | |
| | 127004005 | 2 | Locknut | |
| 3 | 126009114 | 4 | Capscrew | |
| | 128003004 | 8 | Washer | |
| | 127004003 | 4 | Locknut | |
| 4 | 824025005 | 1 | Trim – 18" | |
| 5 | J7A0642 | 1 | Bracket | |
| | 126009026 | 2 | Capscrew | |
| | 128003006 | 2 | Washer | |
| 6 | 126009116 | 1 | Capscrew | |
| | 128003006 | 2 | Washer | |
| | 127004005 | 1 | Locknut | |

Sheet Metal Installation

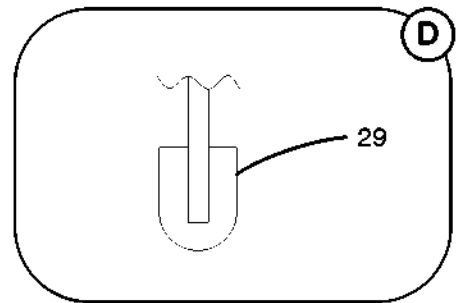
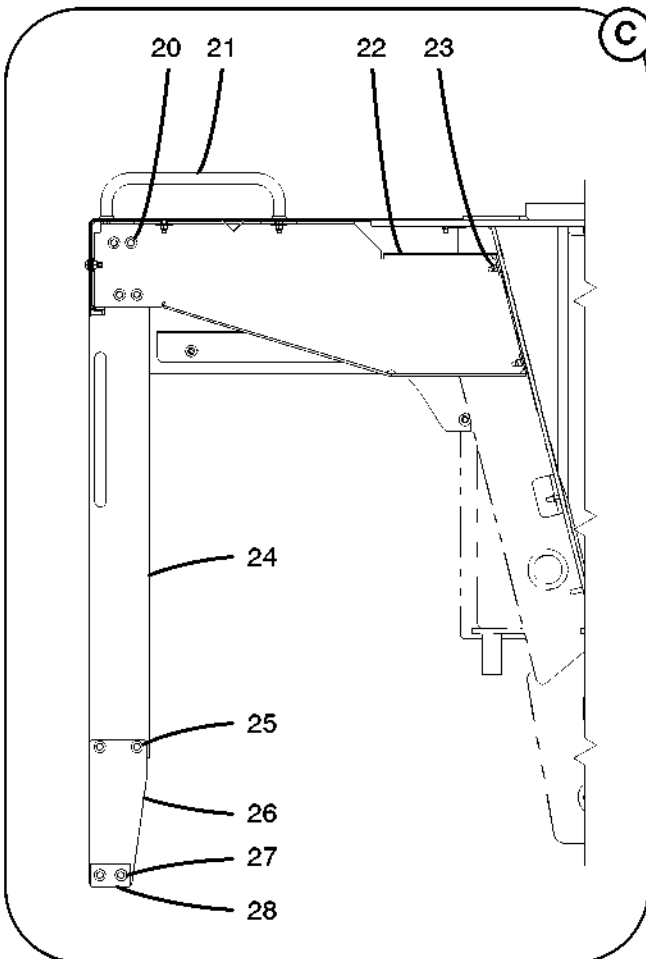
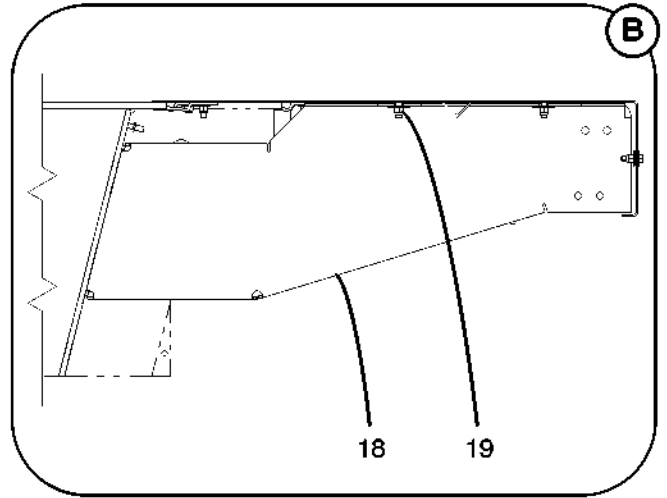
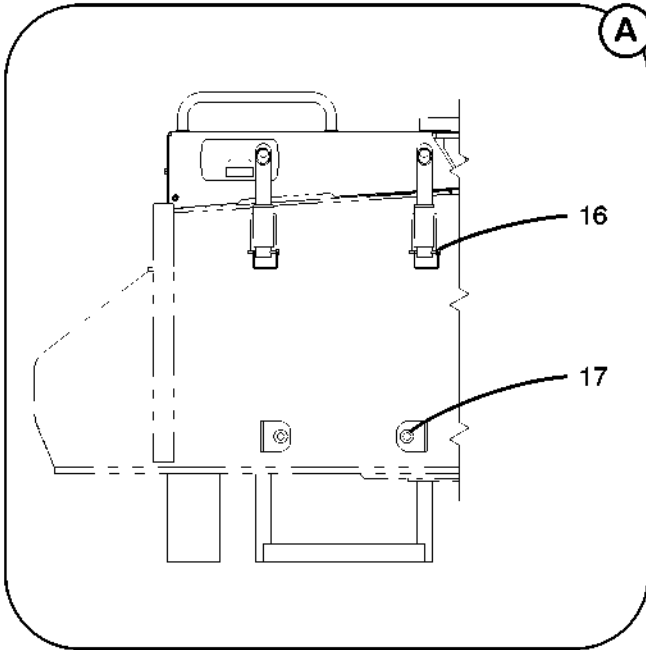


Parts List

0708

| Sheet Metal Installation | | | | |
|--------------------------|-----------|-----|----------------------|---------|
| REF | PART NO. | QTY | DESCRIPTION | REMARKS |
| 1 | F6A0076 | 8 | Screw | KA |
| | 128003004 | 8 | Washer | |
| | 65A0568 | 8 | Retainer, Nut | |
| 2 | J7A0675 | 2 | Cover | |
| 3 | F6A0076 | 6 | Screw | |
| | 128003004 | 6 | Washer | |
| | 65A0568 | 6 | Retainer, Nut | |
| 4 | R3A0043 | 2 | Ladder | |
| 5 | J7A0624 | 1 | Cover | |
| 6 | J7A0711 | 1 | Fender, Left Rear | |
| 7 | J7A0657 | 1 | Fender, Left Center | |
| 8 | J7A0655 | 1 | Fender, Left Front | |
| 9 | J7A0623 | 1 | Cover | |
| 10 | J7A0624 | 1 | Cover | |
| 11 | J7A0649 | 1 | Fender, Right Front | |
| 12 | J7A0651 | 1 | Fender, Right Center | |
| 13 | J7A0714 | 1 | Fender, Right Rear | |
| 14 | J7A0623 | 1 | Cover | |
| 15 | 126009014 | 4 | Capscrew | |
| | 128003004 | 8 | Washer | |
| | 127004003 | 4 | Locknut | |

Sheet Metal Installation

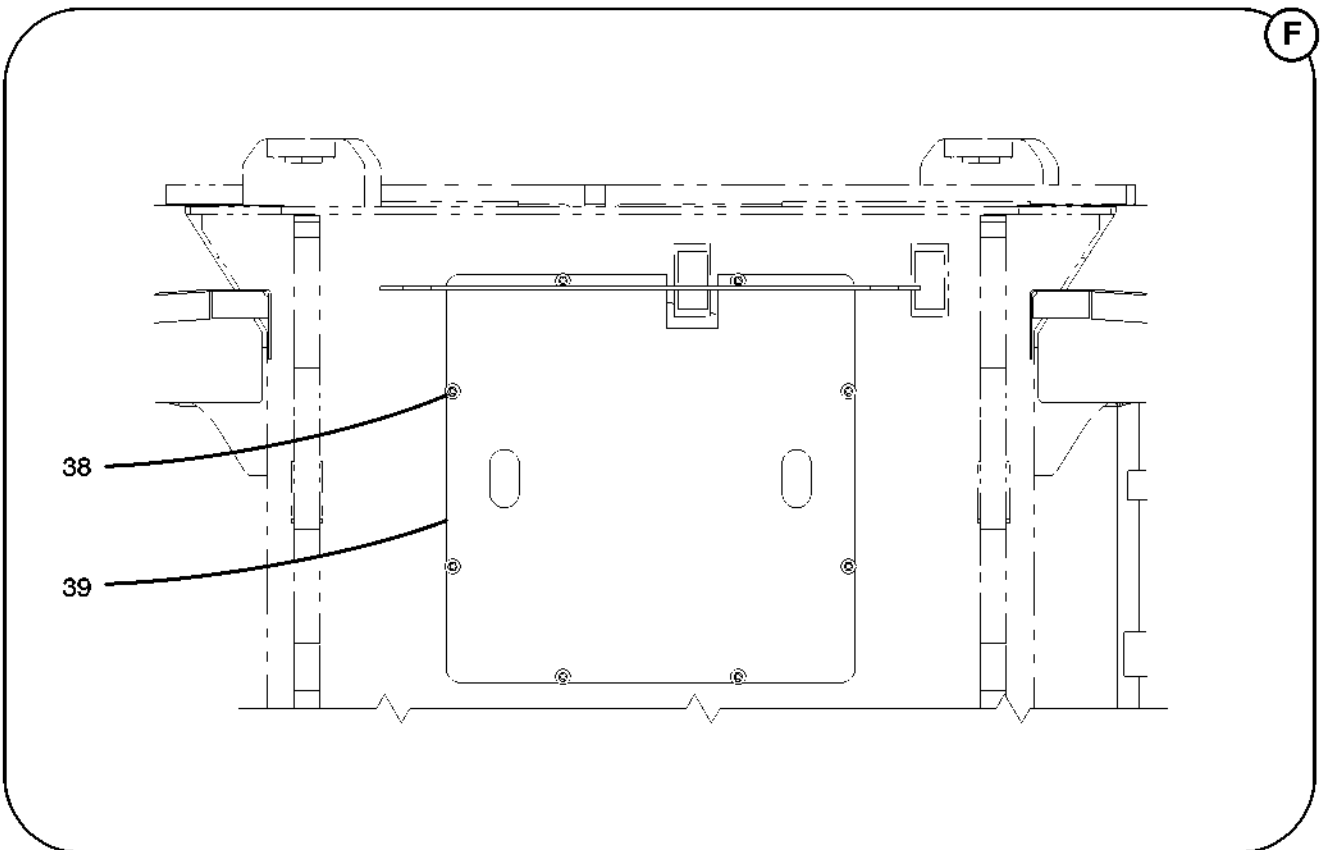
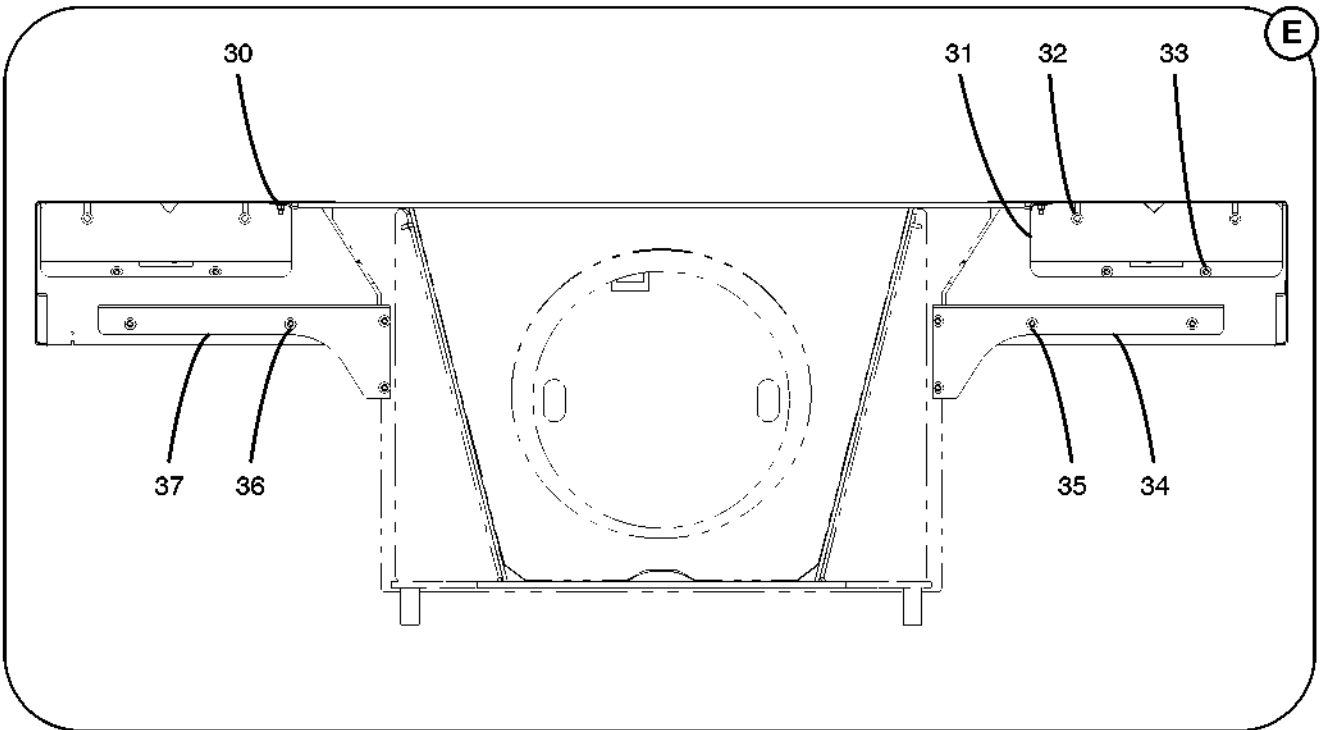


Parts List

0708

| Sheet Metal Installation | | | | |
|--------------------------|-----------|-----|-------------------------|---------|
| REF | PART NO. | QTY | DESCRIPTION | REMARKS |
| 16 | 18M0273 | 4 | Pin, Lock | |
| 17 | D6N0093 | 4 | Grommet | |
| 18 | J7A0622 | 2 | Bracket, Fender Support | KA |
| 19 | F7A0658 | 8 | Washer | |
| | 127004003 | 8 | Locknut | |
| 20 | 126009014 | 16 | Capscrew | |
| | 128003004 | 32 | Washer | |
| | 127004003 | 16 | Locknut | |
| 21 | J7A0336 | 4 | Handle, Grab | |
| | 126009014 | 8 | Capscrew | |
| | F7A0658 | 8 | Washer | |
| 22 | J7A0621 | 2 | Bracket, Fender Support | KA |
| 23 | F7A0658 | 8 | Washer | |
| | 127004003 | 8 | Locknut | |
| 24 | R3A0038 | 2 | Ladder | KA |
| 25 | 126009014 | 8 | Capscrew | |
| | 128003004 | 16 | Washer | |
| | 127004003 | 8 | Locknut | |
| | R3A0042 | 2 | Lower Step Assy | |
| 26 | R3A0039 | 2 | Rail, Side | |
| 27 | R3A0041 | 2 | Plate | |
| | 126009014 | 4 | Capscrew | |
| | 128003004 | 8 | Washer | |
| | 127004003 | 4 | Locknut | |
| 28 | R3A0040 | 1 | Step | |
| 29 | 824025005 | 2 | Trim - 4.31' | |

Sheet Metal Installation

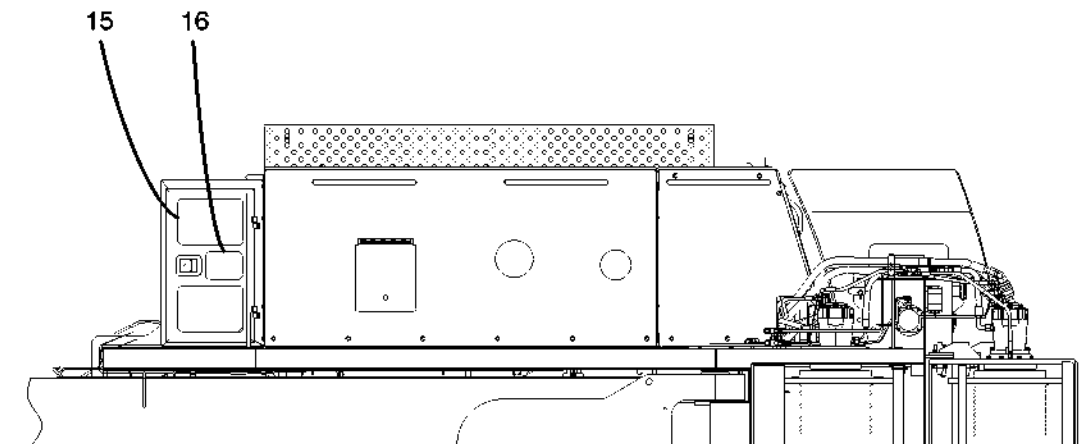
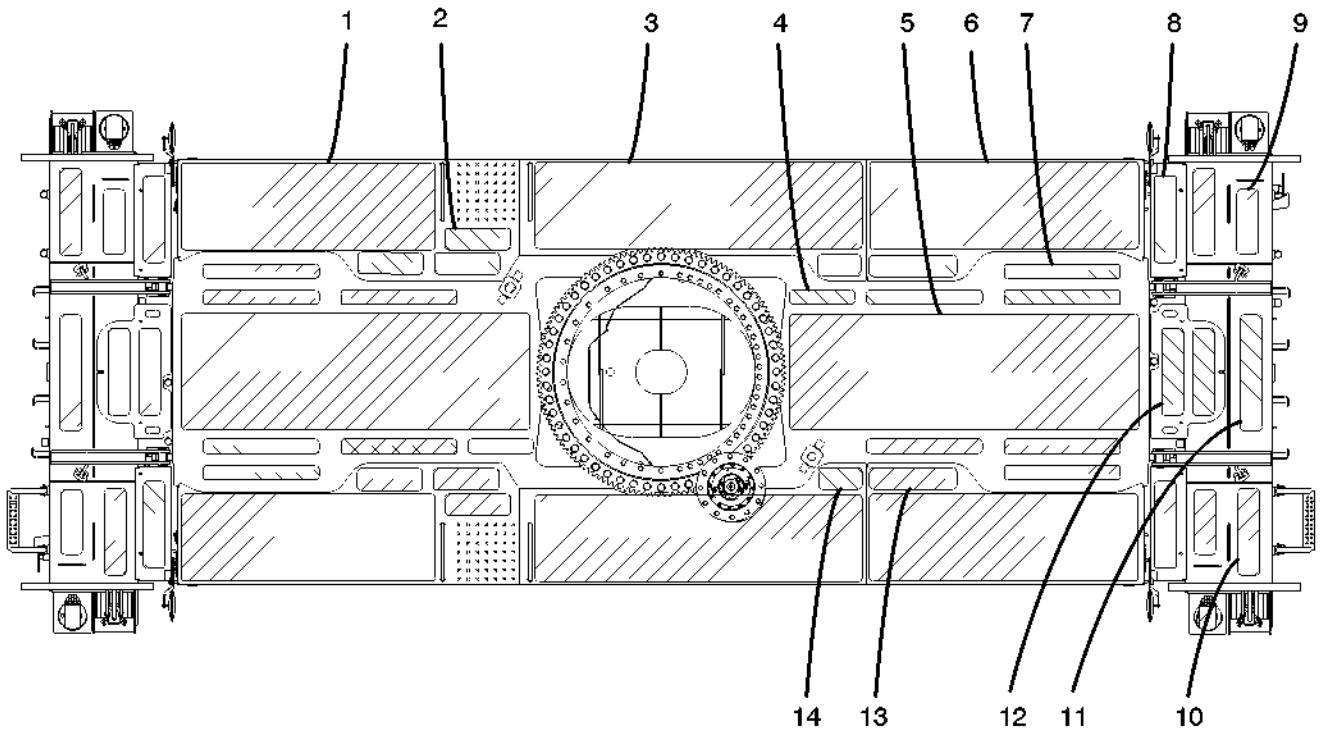


Parts List

0708

| Sheet Metal Installation | | | | |
|--------------------------|-----------|-----|--|---------|
| REF | PART NO. | QTY | DESCRIPTION | REMARKS |
| 30 | R3A0047 | 22 | Support, Fender | |
| | 128003004 | 22 | Washer | |
| | 127004003 | 22 | Locknut | |
| 31 | J7A0627 | 4 | Sheet | KA |
| 32 | 126009014 | 8 | Capscrew | |
| | 128003004 | 8 | Washer | |
| | 65A0568 | 8 | Retainer, Nut | |
| 33 | 128003004 | 8 | Washer | |
| | 127004003 | 8 | Locknut | |
| 34 | J7A0625 | 2 | Bracket, Fender Support | KA |
| 35 | 128003004 | 8 | Washer | |
| | 127004003 | 8 | Locknut | |
| 36 | 128003004 | 8 | Washer | |
| | 127004003 | 8 | Locknut | |
| 37 | J7A0626 | 2 | Bracket, Fender Support | KA |
| 38 | 128003004 | 16 | Washer | |
| | 127004003 | 16 | Locknut | |
| 39 | J7A0430 | 2 | Cover | KA |
| | R3A0044 | 1 | Kit, Carrier Sheet Metal – All Items Marked KA | |

Sand Strip Installation

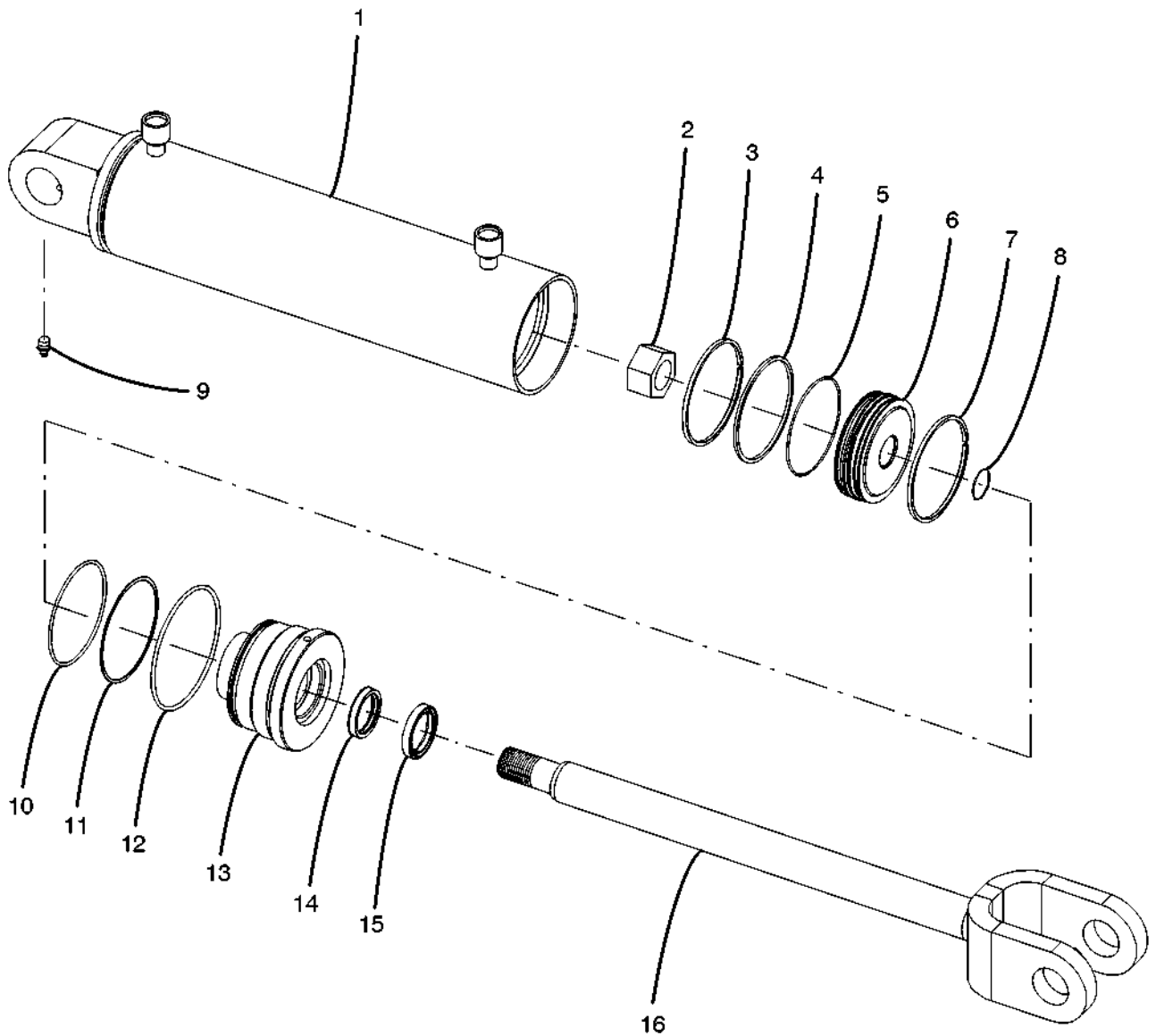


Parts List

0210

| Sand Strip Installation | | | | |
|-------------------------|-----------|-----|----------------------|---------|
| REF | PART NO. | QTY | DESCRIPTION | REMARKS |
| 1 | 850040014 | 2 | Walk, Safety – 5.83' | |
| 2 | 850040013 | 6 | Walk, Safety | |
| 3 | 850040014 | 2 | Walk, Safety – 7.5' | |
| 4 | 850040012 | 2 | Walk, Safety | |
| 5 | 850040015 | 2 | Walk, Safety – 7.92' | |
| 6 | 850040014 | 2 | Walk, Safety – 6.17' | |
| 7 | 850040011 | 12 | Walk, Safety | |
| 8 | 850040005 | 4 | Walk, Safety | |
| 9 | 850040013 | 4 | Walk, Safety | |
| 10 | 850040005 | 4 | Walk, Safety | |
| 11 | D6P0094 | 2 | Strip, Sand | |
| 12 | 850040005 | 4 | Walk, Safety | |
| 13 | 850040005 | 2 | Walk, Safety | |
| 14 | KHP0026 | 2 | Tape, No-Slip | |
| 15 | KHP0849 | 2 | Tape, No-Slip | |
| 16 | KHP0403 | 1 | Tape, No-Slip | |

Steer Cylinder Assy

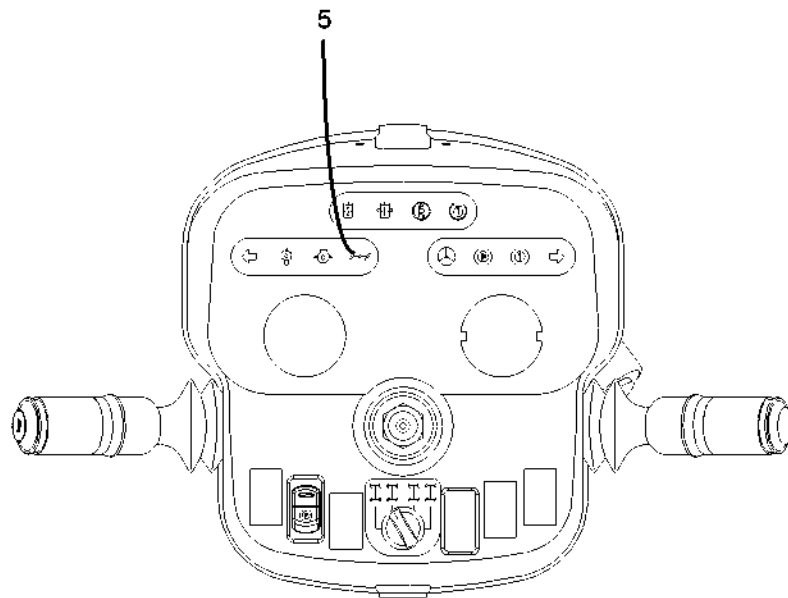
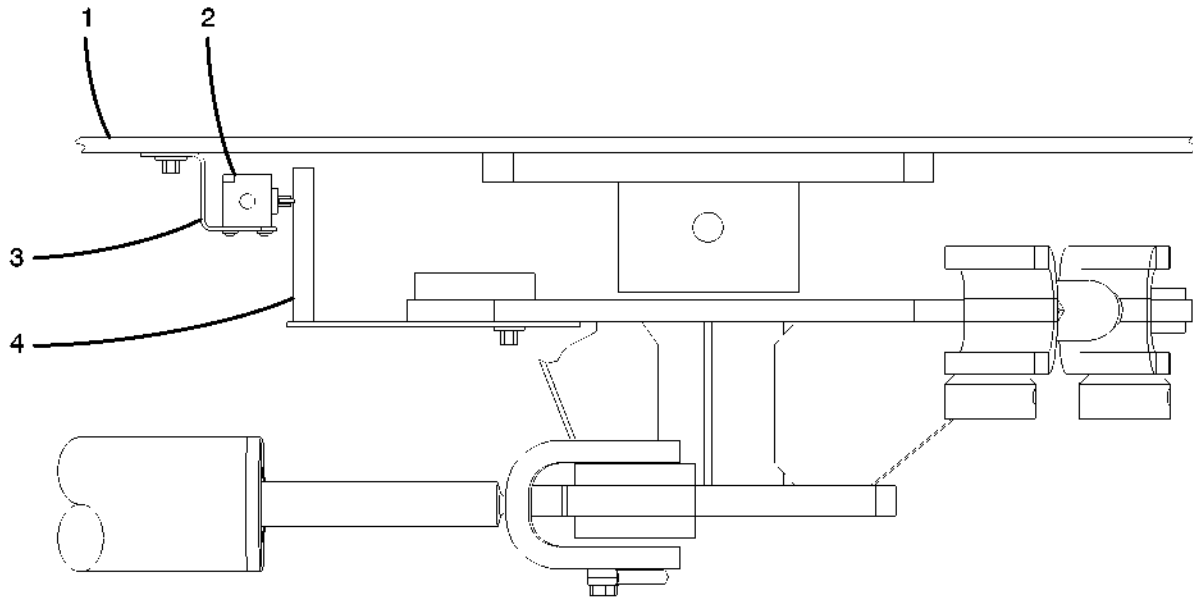


Parts List

0501

| Steer Cylinder Assy | | | | |
|---------------------|----------|-----|---------------------------------|---------|
| REF | PART NO. | QTY | DESCRIPTION | REMARKS |
| | J7J0315 | 1 | Steer Cylinder Assy | |
| 1 | J7J0316 | 1 | Case | |
| 2 | J6J0108 | 1 | Locknut | |
| 3 | J7J0324 | 1 | Ring, Wear | KA |
| 4 | F7J0267 | 1 | Ring, Piston | KA |
| 5 | 1X 8029 | 1 | O-ring | KA |
| 6 | J7J0323 | 1 | Piston | |
| 7 | J7J0324 | 1 | Ring, Wear | KA |
| 8 | 1X 7519 | 1 | O-ring | KA |
| 9 | 1X 0812 | 1 | Fitting, Grease | |
| 10 | 46J0023 | 1 | O-ring | KA |
| 11 | F7J0223 | 1 | Ring, Back Up | KA |
| 12 | 1X 8030 | 1 | O-ring | KA |
| 13 | F7J0234 | 1 | Head | |
| 14 | F7J0235 | 1 | Seal, Rod | KA |
| 15 | D6J0305 | 1 | Wiper, Rod | KA |
| 16 | J7J0317 | 1 | Rod | |
| | 3J 15811 | 1 | Kit, Seal – All Items Marked KA | |

Rear Steer Indicator Installation



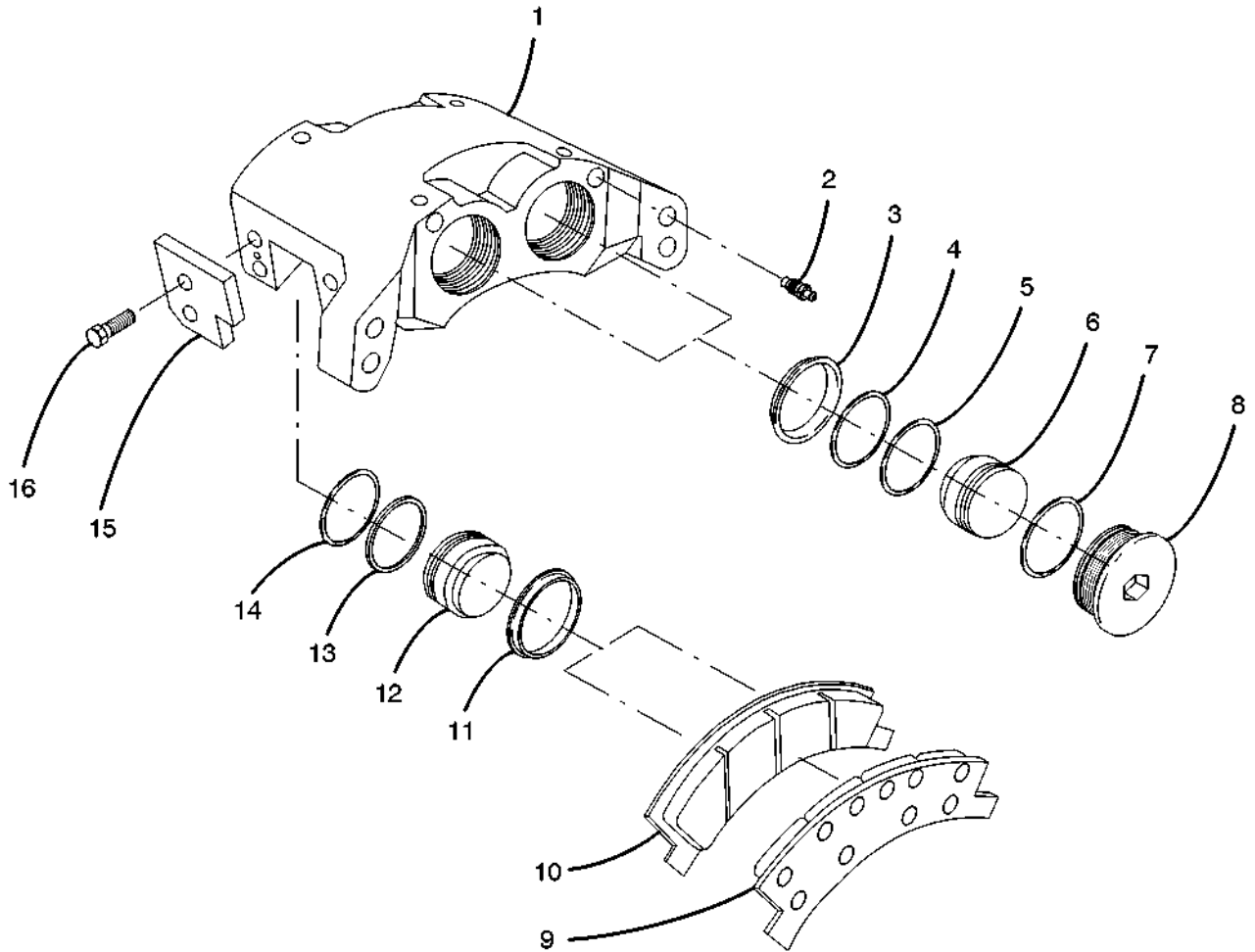
Steering Column

Parts List

0206

| Rear Steer Indicator Installation | | | | |
|-----------------------------------|-----------|-----|---------------------------------|---------|
| REF | PART NO. | QTY | DESCRIPTION | REMARKS |
| 1 | REF | | Carrier Frame | |
| 2 | 69R0092 | 1 | Switch, Limit | |
| | 1X 7307 | 2 | Capscrew | |
| | 1X 1776 | 2 | Washer | |
| 3 | J7A0474 | 1 | Bracket | |
| | 128003004 | 2 | Washer | |
| | 127004003 | 2 | Locknut | |
| 4 | J7A0477 | 1 | Cam, Rear Steer Trip | |
| | 128003004 | 2 | Washer | |
| | 127004003 | 2 | Locknut | |
| 5 | REF | | Rear Wheel Offset Warning Light | |

Brake Caliper Assy

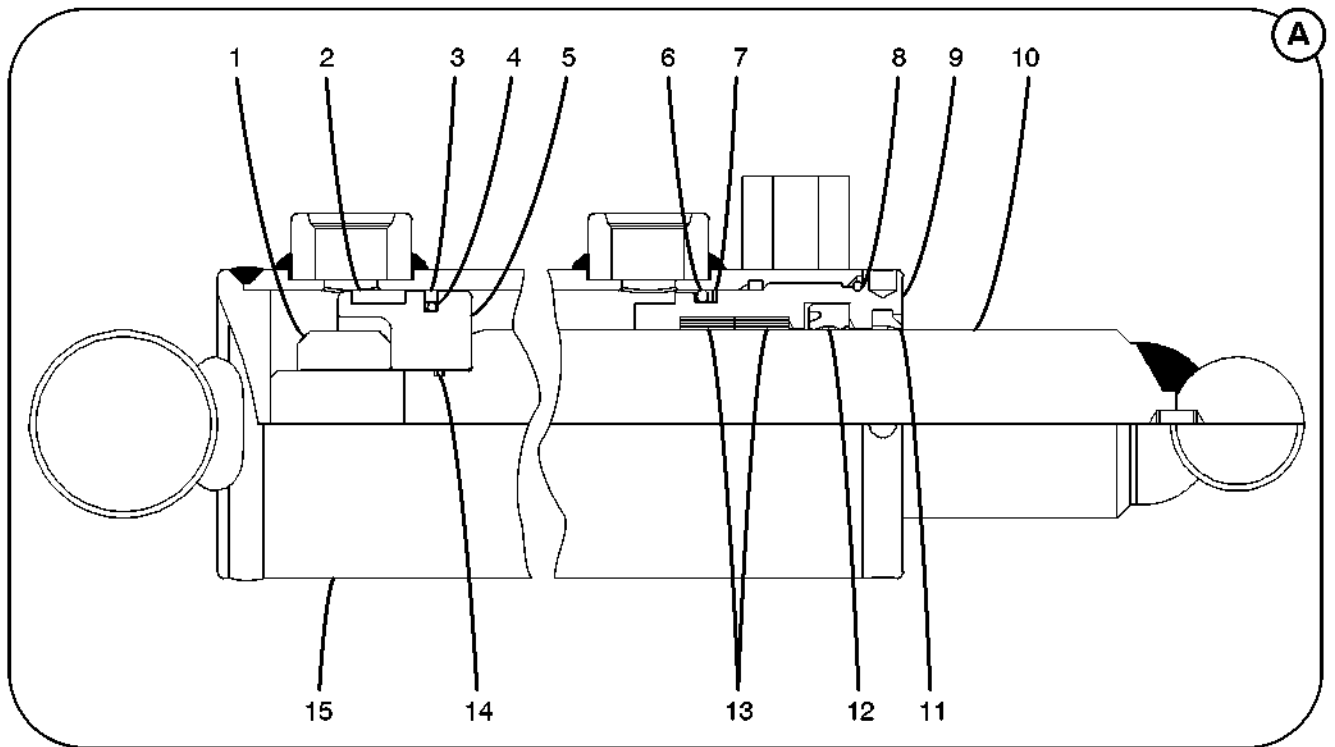
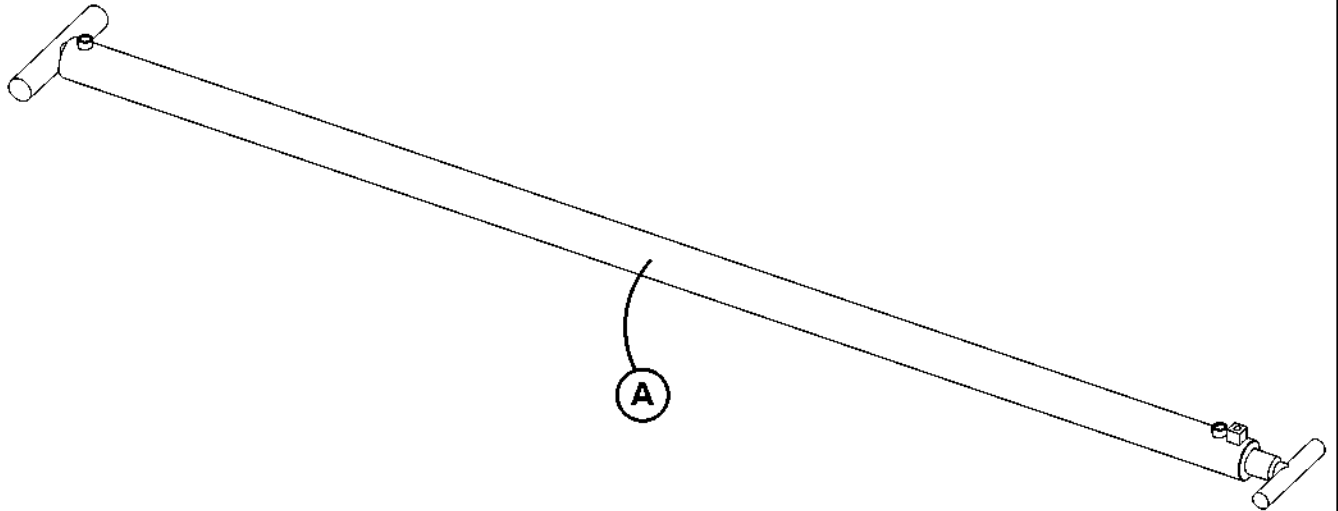


Parts List

0102

| Brake Caliper Assy | | | | |
|--------------------|----------|-----|-----------------------------------|---------|
| REF | PART NO. | QTY | DESCRIPTION | REMARKS |
| | J7A0449 | 1 | Brake Caliper Assy | |
| 1 | 3A 23032 | 1 | Housing | |
| 2 | 3A 19576 | 1 | Valve, Bleeder | |
| 3 | 3A 23033 | 2 | Boot, Dust | |
| 4 | 3A 23035 | 2 | Ring, Back Up | KA |
| 5 | 3A 23034 | 2 | O-ring | KA |
| 6 | 3A 23036 | 2 | Piston | |
| 7 | 3A 23039 | 2 | O-ring | KA |
| 8 | 3A 23037 | 2 | Cap | |
| 9 | 3A 23038 | 1 | Lining Assy | KB |
| 10 | 3A 23038 | 1 | Lining Assy | KB |
| 11 | 3A 23033 | 2 | Boot, Dust | |
| 12 | 3A 23036 | 2 | Piston | |
| 13 | 3A 23035 | 2 | Ring, Back Up | KA |
| 14 | 3A 23034 | 2 | O-ring | KA |
| 15 | 3A 23040 | 4 | Retainer | |
| 16 | 3A 23041 | 8 | Capscrew | |
| | 3A 23042 | 1 | Kit, Seal – All Items Marked KA | |
| | 3A 23043 | 1 | Kit, Lining – All Items Marked KB | |

Beam Cylinder Assy

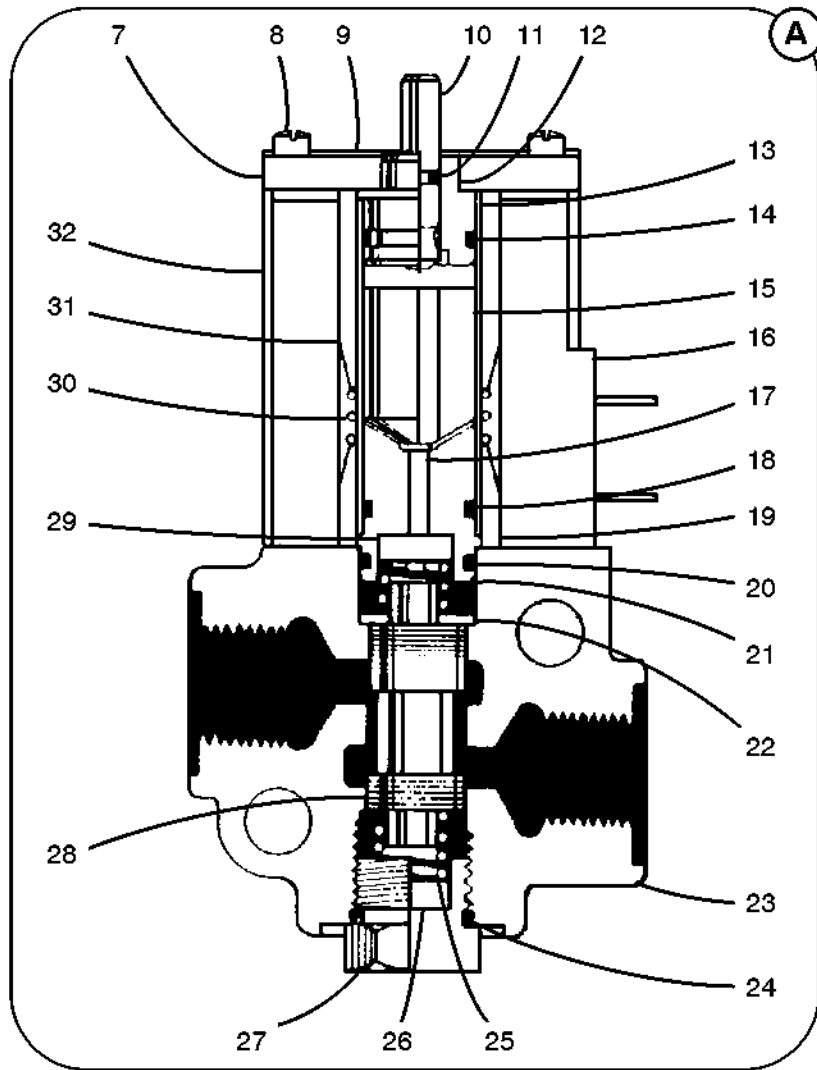
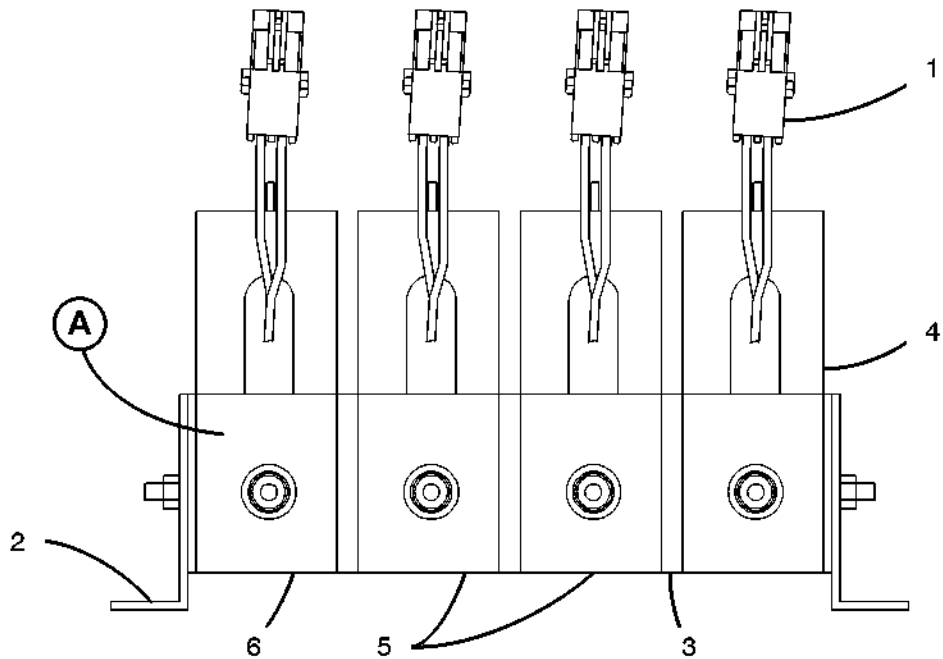


Parts List

0104

| Beam Cylinder Assy | | | | |
|--------------------|----------|-----|---------------------------------|---------|
| REF | PART NO. | QTY | DESCRIPTION | REMARKS |
| | J7J0918 | 1 | Beam Cylinder Assy | |
| 1 | 3J 16895 | 1 | Locknut | |
| 2 | 3J 16878 | 1 | Ring, Wear | KA |
| 3 | 3J 16882 | 1 | Seal | KA |
| 4 | 3J 16881 | 1 | O-ring | KA |
| 5 | 3J 16891 | 1 | Piston | |
| 6 | 3A 9430 | 1 | O-ring | KA |
| 7 | 3A 9432 | 1 | Ring, Back Up | KA |
| 8 | 3J 12547 | 1 | O-ring | KA |
| 9 | 3J 17162 | 1 | Head | |
| 10 | 3J 17163 | 1 | Rod | |
| 11 | 3J 12613 | 1 | Wiper | KA |
| 12 | 3J 12612 | 1 | Seal | KA |
| 13 | 3J 12610 | 2 | Ring, Wear | KA |
| 14 | 3J 6262 | 1 | O-ring | KA |
| 15 | 3J 17164 | 1 | Tube | |
| | 3J 17161 | 1 | Kit, Seal – All Items Marked KA | |

2 Way Valve Stack Assy

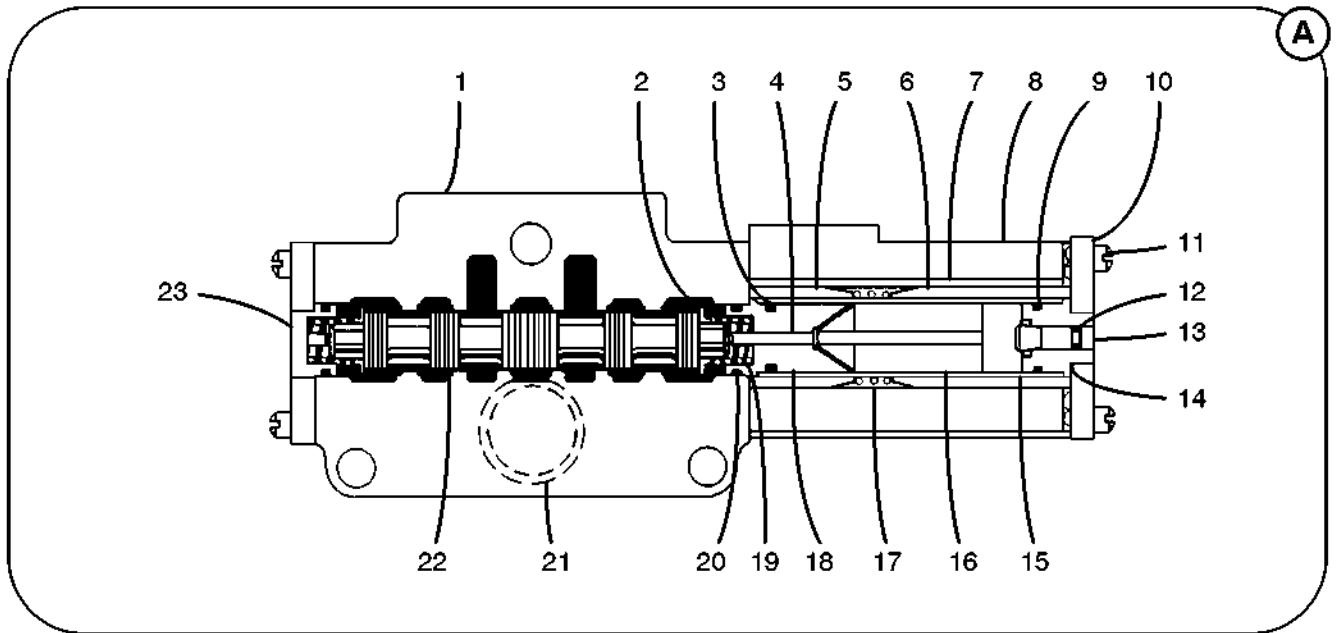
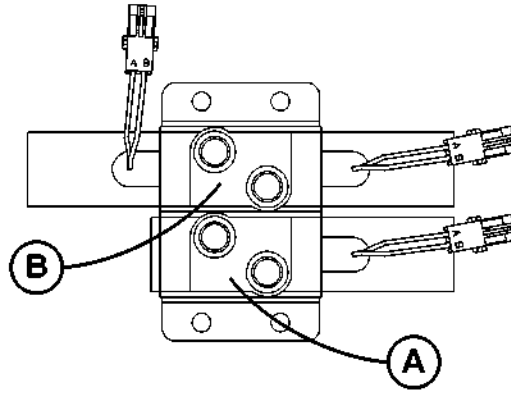


Parts List

0502

| 2 Way Valve Stack Assy | | | | |
|------------------------|-----------|-----|------------------------|---------|
| REF | PART NO. | QTY | DESCRIPTION | REMARKS |
| | F1J0079 | 1 | 2 Way Valve Stack Assy | |
| 1 | 155063001 | 8 | Terminal | |
| | 155064006 | 8 | Seal, Cable | |
| | 155058001 | 4 | Connector, 2 Way | |
| 2 | 3J 13942 | 2 | Bracket Assy | |
| 3 | 3A 13687 | 3 | Plate, Seal | |
| | 3A 0521 | 3 | O-ring | |
| 4 | 3J 13907 | 1 | Section, End | |
| 5 | 3J 13906 | 2 | Section, Mid | |
| 6 | 3J 13905 | 1 | Section, Inlet | |
| 7 | 3J 13910 | 1 | Plate, End | |
| 8 | 3J 13915 | 4 | Screw | |
| 9 | 3J 13904 | 1 | Plate, Name | |
| 10 | 3J 13924 | 1 | Pin | |
| 11 | 3J 13916 | 1 | Ring | |
| 12 | 3J 13923 | 1 | Guide | |
| 13 | 3J 13917 | 1 | Tube, Guide | |
| 14 | 3J 13914 | 1 | Pin | |
| 15 | 3J 13919 | 1 | Plunger | |
| 16 | 3J 14104 | 1 | Coil | |
| 17 | 3J 13918 | 1 | Pin, Push | |
| 18 | 3J 13922 | 2 | O-ring | |
| 19 | 3J 13912 | 1 | Sleeve, Inner Flux | |
| 20 | 3J 13921 | 1 | O-ring | |
| 21 | 3J 13920 | 1 | Cone | |
| 22 | 3J 13674 | 1 | Washer | |
| 23 | REF | 1 | Spool Body | |
| 24 | 3J 13908 | 1 | O-ring | |
| 25 | 3J 13673 | 2 | Spring | |
| 26 | 3J 13925 | 1 | Spacer, Spring | |
| 27 | 3J 13909 | 1 | Plug | |
| 28 | 3J 13903 | 1 | Spool | |
| 29 | 3J 13925 | 1 | Spacer, Spring | |
| 30 | 3J 13914 | 1 | Spring | |
| 31 | 3J 13913 | 1 | Sleeve, Outer Flux | |
| 32 | 3J 13911 | 1 | Case, Solenoid | |

2 Section Steer Valve Assy

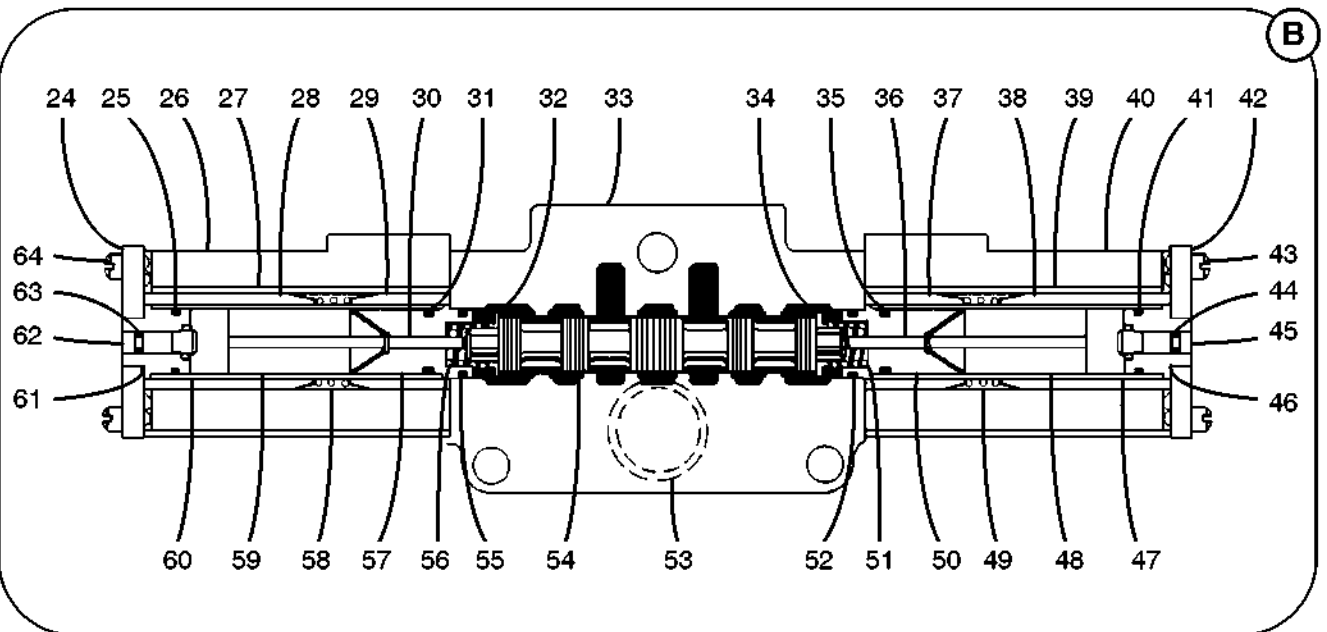


Parts List

0703

| 2 Section Steer Valve Assy | | | | |
|----------------------------|----------|-----|----------------------------|---------|
| REF | PART NO. | QTY | DESCRIPTION | REMARKS |
| | F7J0355 | 1 | 2 Section Steer Valve Assy | |
| | 3J 14690 | 1 | Valve Assy | |
| 1 | 3J 13927 | 1 | Body | |
| 2 | 3J 13674 | 1 | Washer | |
| 3 | 3J 13922 | 1 | O-ring | |
| 4 | 3J 13918 | 1 | Pin | |
| 5 | 3J 13939 | 1 | Sleeve, Inner Flux | |
| 6 | 3J 13937 | 1 | Sleeve, Outer Flux | |
| 7 | 3J 14687 | 1 | Coil | |
| 8 | 3J 13936 | 1 | Case, Solenoid | |
| 9 | 3J 13922 | 1 | O-ring | |
| 10 | 3J 13910 | 1 | Plate, End | |
| 11 | 3J 13933 | 4 | Screw | |
| 12 | 3J 13916 | 1 | Ring, Quad | |
| 13 | 3J 13934 | 1 | Pin, Actuator | |
| 14 | 3J 13923 | 1 | Guide | |
| 15 | 3J 14688 | 1 | Tube, Guide | |
| 16 | 3J 13932 | 1 | Plunger | |
| 17 | 3J 13914 | 1 | Spring | |
| 18 | 3J 13931 | 1 | Cone | |
| 19 | 3J 13673 | 1 | Spring | |
| 20 | 3J 13921 | 1 | O-ring | |
| 21 | 3J 13677 | 1 | O-ring | |
| 22 | 3J 13676 | 1 | Spool | |
| 23 | 3J 13930 | 1 | Plug | |
| | 3J 14689 | 1 | Valve Assy | |
| 24 | 3J 13910 | 1 | Plate, End | |
| 25 | 3J 13922 | 1 | O-ring | |
| 26 | 3J 13936 | 1 | Case, Solenoid | |
| 27 | 3J 14687 | 1 | Coil | |
| 28 | 3J 13937 | 1 | Sleeve, Outer Flux | |
| 29 | 3J 13939 | 1 | Sleeve, Inner Flux | |
| 30 | 3J 13918 | 1 | Pin | |
| 31 | 3J 13922 | 1 | O-ring | |
| 32 | 3J 13674 | 1 | Washer | |
| 33 | 3J 13927 | 1 | Body | |
| 34 | 3J 13674 | 1 | Washer | |
| 35 | 3J 13922 | 1 | O-ring | |
| 36 | 3J 13918 | 1 | Pin | |
| 37 | 3J 13939 | 1 | Sleeve, Inner Flux | |
| 38 | 3J 13937 | 1 | Sleeve, Outer Flux | |
| 39 | 3J 14687 | 1 | Coil | |
| 40 | 3J 13936 | 1 | Case, Solenoid | |
| 41 | 3J 13922 | 1 | O-ring | |
| 42 | 3J 13910 | 1 | Plate, End | |
| 43 | 3J 13933 | 4 | Screw | |
| 44 | 3J 13916 | 1 | Ring, Quad | |
| 45 | 3J 13934 | 1 | Pin, Actuator | |
| 46 | 3J 13923 | 1 | Guide | |
| 47 | 3J 13680 | 1 | Tube, Guide | |
| 48 | 3J 13932 | 1 | Plunger | |
| 49 | 3J 13914 | 1 | Spring | |

2 Section Steer Valve Assy



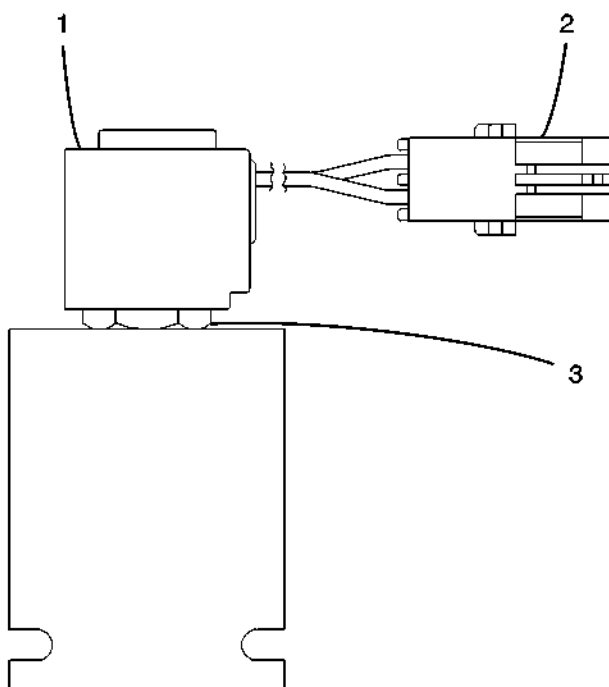
Parts List

0703

2 Section Steer Valve Assy

| REF | PART NO. | QTY | DESCRIPTION | REMARKS |
|-----|----------|-----|---------------|---------|
| 50 | 3J 13931 | 1 | Cone | |
| 51 | 3J 13673 | 1 | Spring | |
| 52 | 3J 13921 | 1 | O-ring | |
| 53 | 3J 13677 | 1 | O-ring | |
| 54 | 3J 13676 | 1 | Spool | |
| 55 | 3J 13921 | 1 | O-ring | |
| 56 | 3J 13673 | 1 | Spring | |
| 57 | 3J 13931 | 1 | Cone | |
| 58 | 3J 13914 | 1 | Spring | |
| 59 | 3J 13932 | 1 | Plunger | |
| 60 | 3J 13680 | 1 | Tube, Guide | |
| 61 | 3J 13923 | 1 | Guide | |
| 62 | 3J 13934 | 1 | Pin, Actuator | |
| 63 | 3J 13916 | 1 | Ring, Quad | |
| 64 | 3J 13933 | 4 | Screw | |

4 Way Solenoid Valve Assy

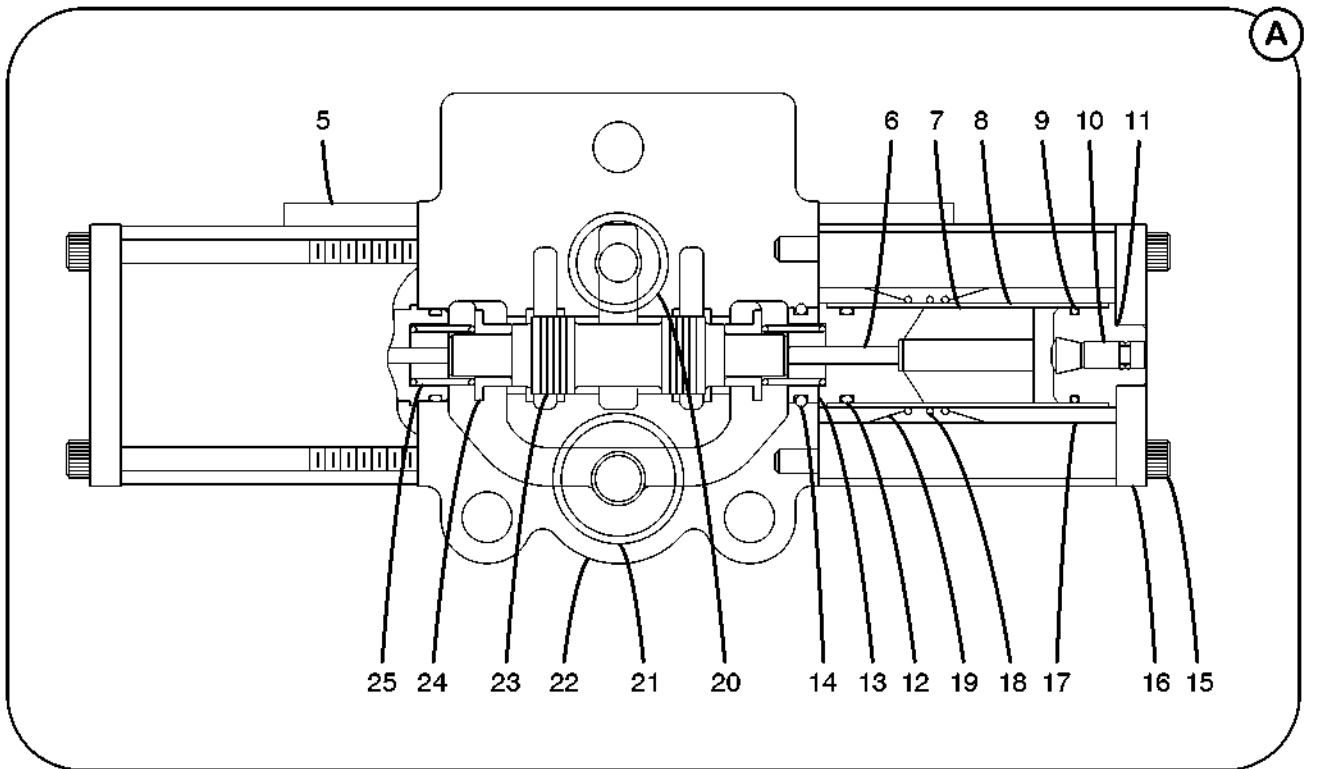
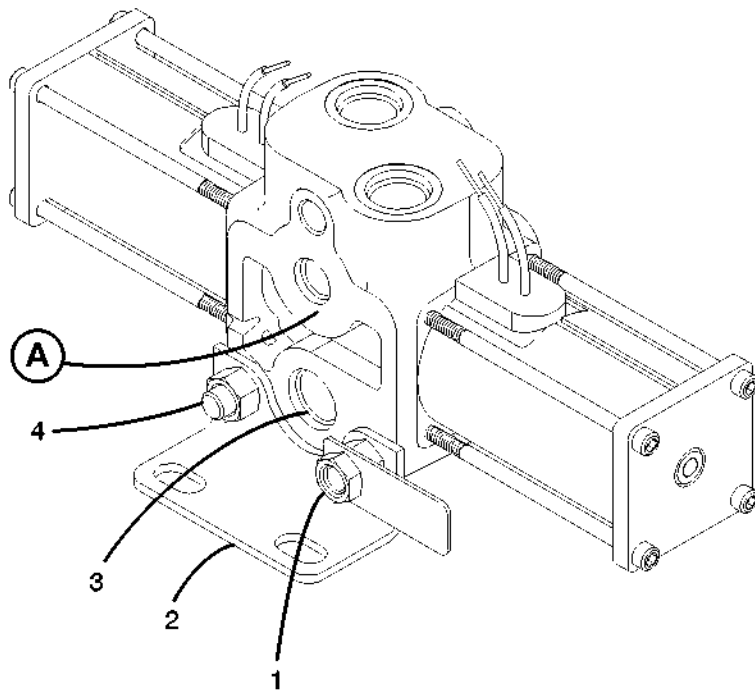


Parts List

0101

| 4 Way Solenoid Valve Assy | | | | |
|---------------------------|-----------|-----|---------------------------|---------|
| REF | PART NO. | QTY | DESCRIPTION | REMARKS |
| 1 | J7J0243 | 1 | 4 Way Solenoid Valve Assy | |
| | 3J 12813 | 1 | Coil | |
| 2 | 155063001 | 2 | Terminal | |
| | 155064001 | 2 | Seal | |
| 3 | 155058001 | 1 | Connector | |
| | 3J 15733 | 1 | Cartridge | |
| | 3J 13664 | 1 | Kit, Seal | |

4 Way Directional Valve Assy

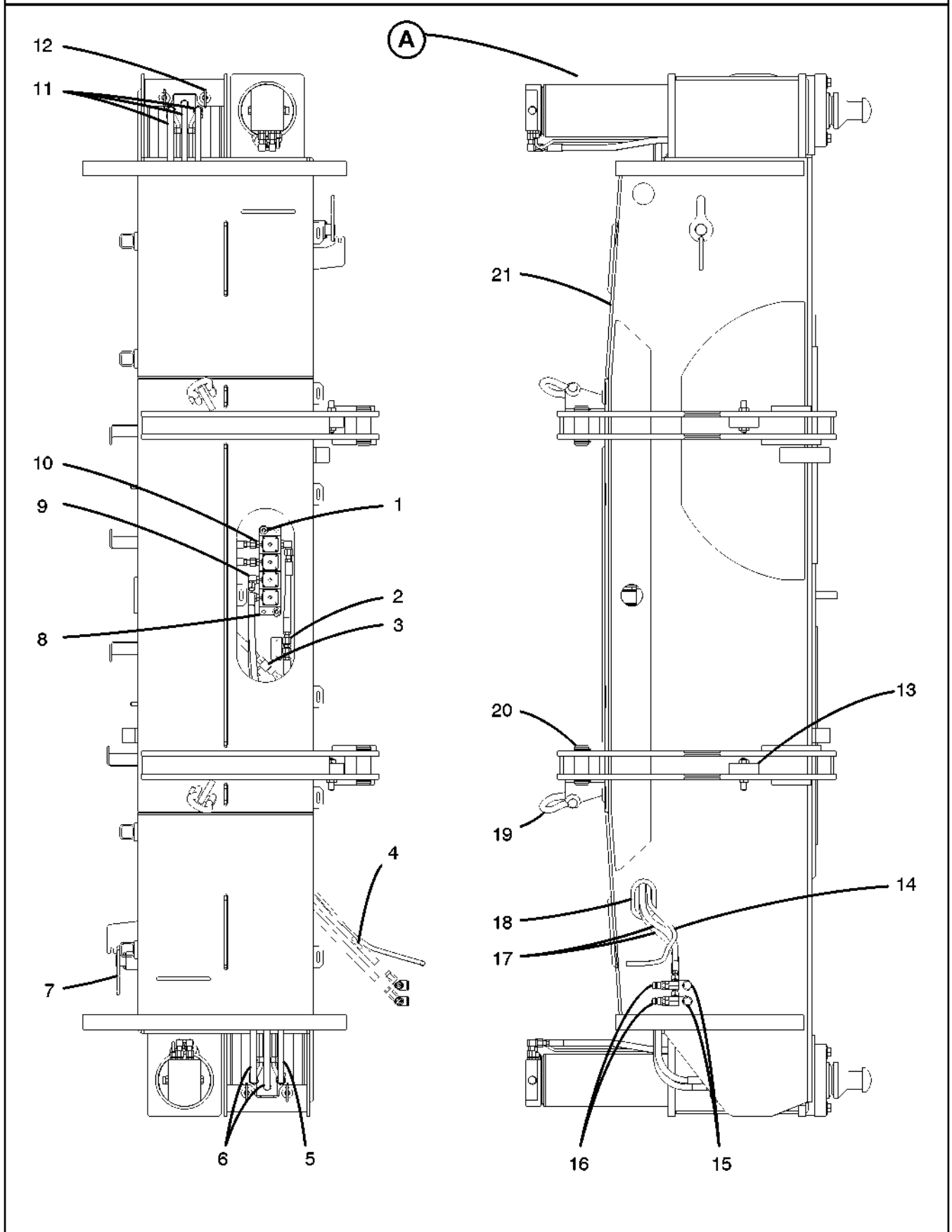


Parts List

0703

| 4 Way Directional Valve Assy | | | | |
|------------------------------|----------|-----|----------------------------------|---------|
| REF | PART NO. | QTY | DESCRIPTION | REMARKS |
| | J7J0800 | 1 | 4 Way Directional Valve Assy | |
| 1 | 3J 16936 | 1 | Nut, Jam | KA |
| 2 | 3J 16938 | 2 | Bracket, Mounting | KA |
| 3 | 3J 16931 | 1 | #8 SAE Plug Assy | |
| | 3J 16932 | 1 | Plug | |
| | 3J 16933 | 1 | Seal | |
| 4 | 3J 16935 | 2 | Capscrew | KA |
| | 3J 16937 | 2 | Nut | KA |
| | 3J 16939 | 1 | Section, Valve | |
| 5 | 3J 14687 | 2 | Coil | |
| | 3J 13680 | 2 | Guide Tube & Case Assy | |
| | 3J 16941 | 1 | Guide Tube Assy | |
| 6 | 3J 13918 | 1 | Pin, Push | |
| 7 | 3J 13932 | 1 | Plunger | |
| 8 | 3J 13938 | 1 | Tube, Guide | |
| | 3J 16382 | 1 | Push Pin Assy | |
| 9 | 3J 16942 | 1 | Seal | |
| 10 | 3J 13934 | 1 | Pin | |
| | 3J 13916 | 1 | Ring, Quad | |
| 11 | 3J 13923 | 1 | Guide | |
| | 3J 16943 | 1 | Cone Assy | |
| 12 | 3J 16942 | 1 | Seal | |
| 13 | 3J 13931 | 1 | Cone | |
| 14 | 3J 13921 | 1 | O-ring | |
| 15 | 3J 13933 | 4 | Capscrew | |
| 16 | 3J 13910 | 1 | Plate, End | |
| 17 | 3J 13937 | 1 | Sleeve, Outer Flux | |
| 18 | 3J 13914 | 1 | Spring | |
| 19 | 3J 13939 | 1 | Sleeve, Inner Flux | |
| 20 | 3J 13682 | 1 | O-ring | |
| 21 | 3J 13677 | 1 | O-ring | |
| 22 | 3J 16311 | 1 | Body | |
| 23 | 3J 16940 | 1 | Spool | |
| 24 | 3J 13684 | 2 | Seat, Spring | |
| 25 | 3J 13673 | 2 | Spring | |
| | 3J 16928 | 1 | #6 SAE Plug Assy – Not Shown | |
| | 3J 16929 | 1 | Plug – Not Shown | |
| | 3J 16930 | 1 | Seal – Not Shown | |
| | 3J 16934 | 1 | Kit, Stack – All Items Marked KA | |

Outrigger Beam, Cylinders & Lines

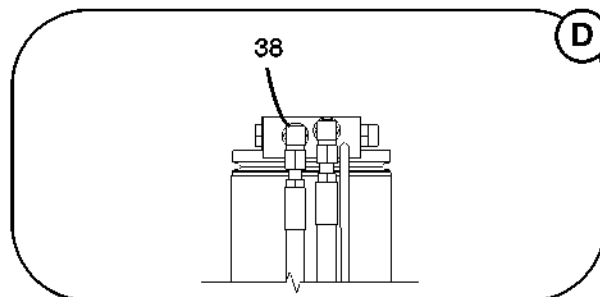
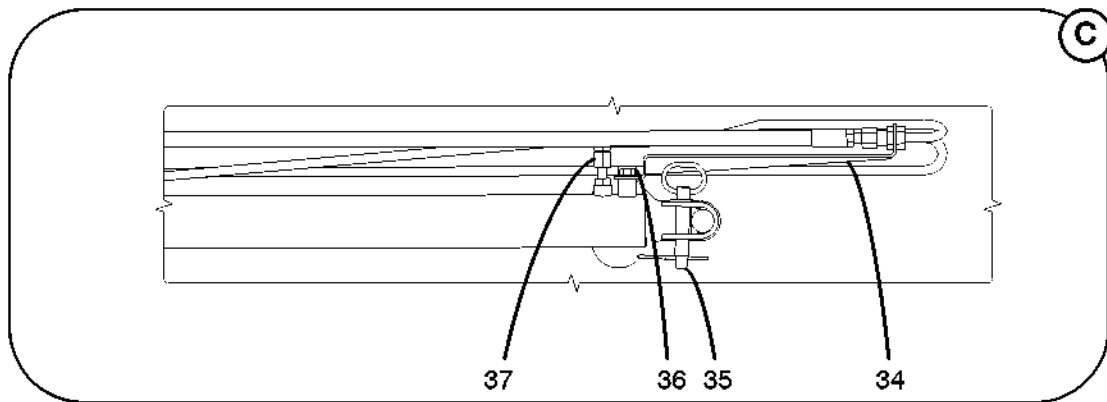
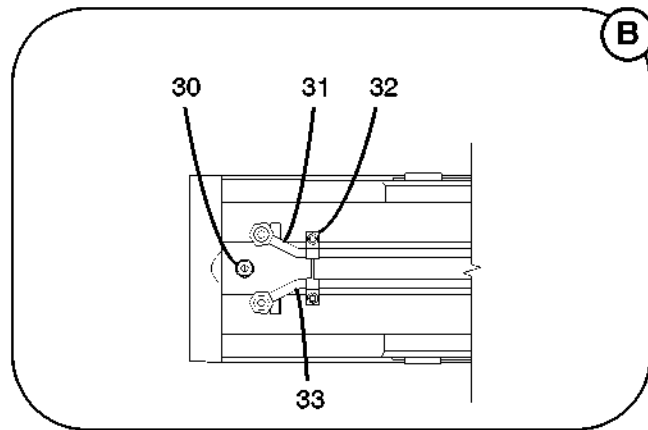
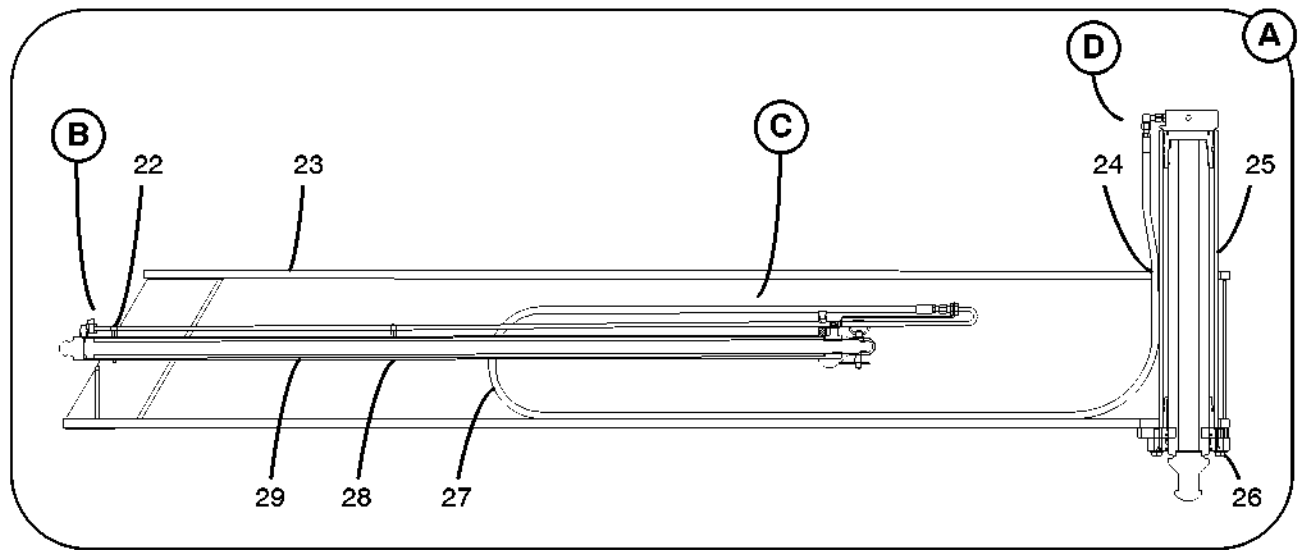


Parts List

1009

| Outrigger Beam, Cylinders & Lines | | | | |
|-----------------------------------|-----------|-----|--|---------|
| REF | PART NO. | QTY | DESCRIPTION | REMARKS |
| 1 | 128003004 | 2 | Washer – 1.0" OD | NSS |
| | 128003006 | 2 | Washer – 1.31" OD | |
| | 127004003 | 2 | Locknut | |
| 2 | 65J1266 | 1 | Hose Assy | |
| | 1X 8230 | 1 | Union | |
| 3 | 1X 7516 | 1 | Tee | |
| 4 | 36A3124 | 1 | Label, ID | |
| | 71J0005 | 2 | Tie, Cable | |
| 5 | D6J0222 | 1 | Hose Assy | |
| 6 | 65J0556 | 2 | Hose Assy | |
| 7 | J7A0320 | 2 | Pin, CALC | |
| | 1X 4137 | 2 | Pin, Roll | |
| | J7J0104 | 1 | Outrigger Selector Valve S/A | |
| 8 | REF | 1 | 2 Way Valve Stack Assy – See Keysheet 01–043 | |
| 9 | 1X 7388 | 3 | Elbow | |
| 10 | 1X 7371 | 2 | Connector | |
| 11 | 70J0082 | 3 | Hose Assy | |
| 12 | E8A0102 | 4 | Pin, Hitch | |
| 13 | C5A0752 | 2 | Plate | |
| | 1X 7550 | 2 | Setscrew | |
| | 1X 0185 | 4 | Nut, Jam | |
| 14 | J7R0010 | 1 | Harness, Outrigger Box Wire | |
| | 25J0121 | 5 | Tie, Cable | |
| 15 | 18A2064 | 2 | Cap, Dust | |
| 16 | 28A4064 | 2 | Coupler, Nose | |
| | 1X 7455 | 2 | Elbow | |
| 17 | D6J0881 | 2 | Hose Assy | |
| 18 | 824025009 | 1 | Trim – 4.59' | |
| 19 | 1X 8082 | 2 | Shackle, Anchor | |
| 20 | J7A0548 | 2 | Pin | |
| | 1X 1532 | 4 | Ring, Retaining | |
| 21 | REF | | Outrigger Box | |
| | R3A0001 | 2 | Outrigger Beam S/A | |
| 22 | 112015005 | 1 | Clamp | |
| 23 | REF | 1 | Beam, Outrigger | |
| 24 | 71J0005 | 1 | Tie, Cable | |
| 25 | REF | 1 | Jack Cylinder Assy – See Keysheet 01–046 | |
| 26 | 1X 6900 | 4 | Capscrew | |
| | 128003009 | 4 | Washer | |
| 27 | 65J1286 | 2 | Hose | |
| 28 | 112015005 | 1 | Clamp – 2.75" Dia | |
| | 5Z 0621 | 2 | Clamp – 0.5" Dia | |
| | 127004003 | 2 | Locknut | |
| 29 | REF | 1 | Beam Cylinder Assy – See Keysheet 01–037 | |
| 30 | 1X 7371 | 1 | Connector | |
| 31 | J7J0238 | 1 | Tube Assy | |
| 32 | 5Z 0621 | 2 | Clamp | |
| | 127004003 | 2 | Locknut | |
| 33 | J7J0919 | 1 | Tube Assy | |
| 34 | J7J0239 | 1 | Bracket | |
| 35 | E8A0102 | 2 | Pin, Hitch | |

Outrigger Beam, Cylinders & Lines

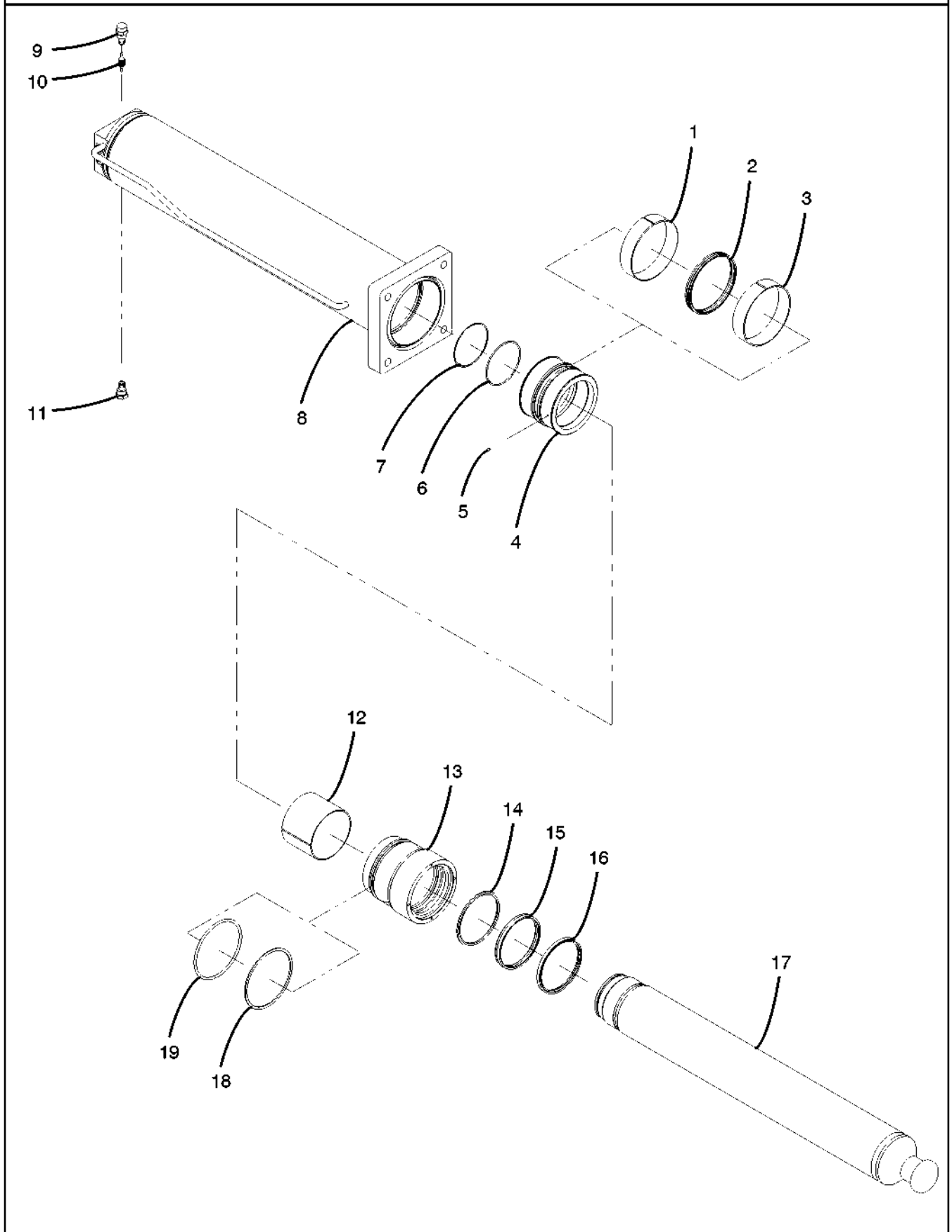


Parts List

1009

| Outrigger Beam, Cylinders & Lines | | | | |
|-----------------------------------|-----------|-----|-------------|---------|
| REF | PART NO. | QTY | DESCRIPTION | REMARKS |
| 36 | 1X 5790 | 1 | Clamp | |
| | 126009107 | 1 | Capscrew | |
| 37 | 1X 7463 | 1 | Connector | |
| 38 | 1X 7371 | 2 | Connector | |
| | 1X 7405 | 2 | Elbow | |

Jack Cylinder Assy

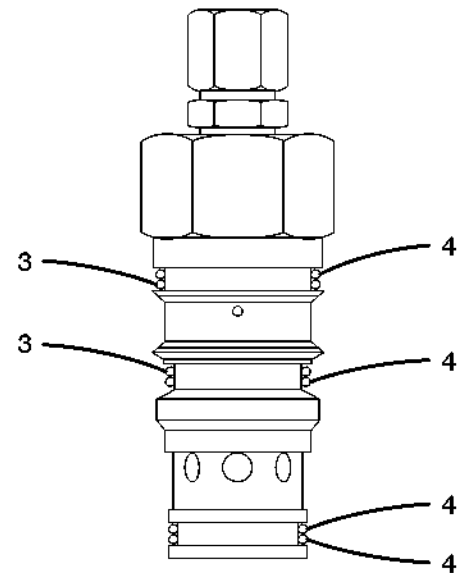
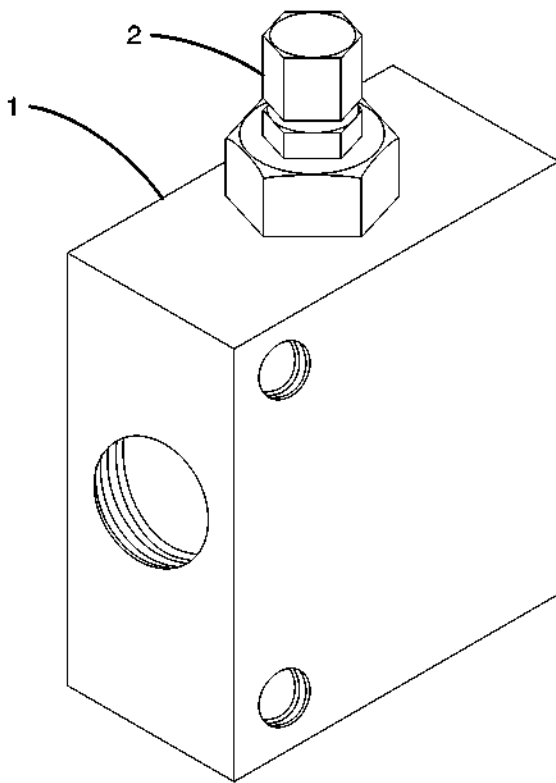


Parts List

1006

| Jack Cylinder Assy | | | | |
|--------------------|----------|-----|---|---------|
| REF | PART NO. | QTY | DESCRIPTION | REMARKS |
| | R3J0016 | 1 | Jack Cylinder Assy | |
| 1 | R3J0047 | 1 | Ring, Wear | KA |
| 2 | R3J0054 | 1 | Seal, Piston | KA |
| 3 | R3J0047 | 1 | Ring, Wear | KA |
| 4 | R3J0020 | 1 | Piston | |
| 5 | 36J0356 | 1 | Setscrew | |
| 6 | AC 2944 | 1 | O-ring | KA |
| 7 | 20J2704 | 1 | Ring, Back Up | KA |
| 8 | R3J0017 | 1 | Body | |
| 9 | F7J0192 | 1 | Cartridge, Check Valve | |
| | 3J 14691 | 1 | Kit, Seal | |
| 10 | F7J0195 | 1 | Piston, Pilot | |
| 11 | F7J0193 | 1 | Cartridge, Check Valve W/Thermal Relief | |
| | 3J 11667 | 1 | Kit, Seal | |
| 12 | R3J0048 | 1 | Ring, Wear | KA |
| 13 | R3J0019 | 1 | Gland | |
| 14 | R3J0053 | 1 | Stepseal | KA |
| 15 | R3J0051 | 1 | Seal | KA |
| 16 | R3J0049 | 1 | Wiper, Rod | KA |
| 17 | R3J0018 | 1 | Rod | |
| 18 | 20V0795 | 1 | O-ring | KA |
| 19 | 20V0796 | 1 | Ring, Back Up | KA |
| | 3J 17738 | 1 | Kit, Seal – All Items Marked KA | |

Pressure Reducing Valve Assy

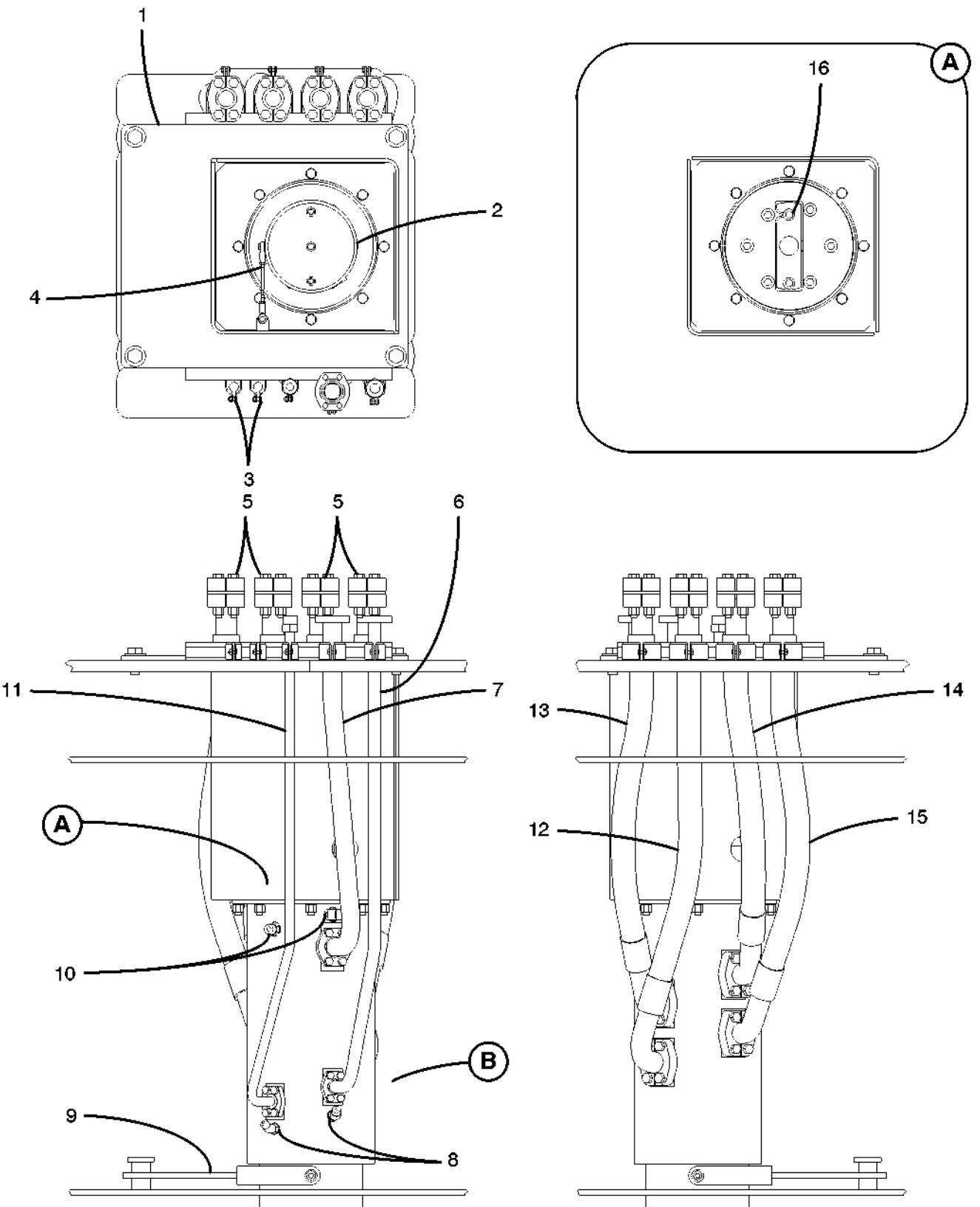


Parts List

0603

| Pressure Reducing Valve Assy | | | | |
|------------------------------|----------|-----|---------------------------------|---------|
| REF | PART NO. | QTY | DESCRIPTION | REMARKS |
| | 65J0071 | 1 | Pressure Reducing Valve Assy | |
| 1 | REF | 1 | Body | NSS |
| 2 | 3J 9952 | 1 | Cartridge Valve Assy | |
| 3 | REF | 2 | Seal | KA |
| 4 | REF | 1 | Seal | KA |
| | REF | 1 | Ring, Back Up | KA |
| | REF | 1 | Ring, Back Up | KA |
| | REF | 1 | Ring, Back Up | KA |
| | 3J 9953 | 1 | Kit, Seal – All Items Marked KA | |

Rotating Joint & Center Section

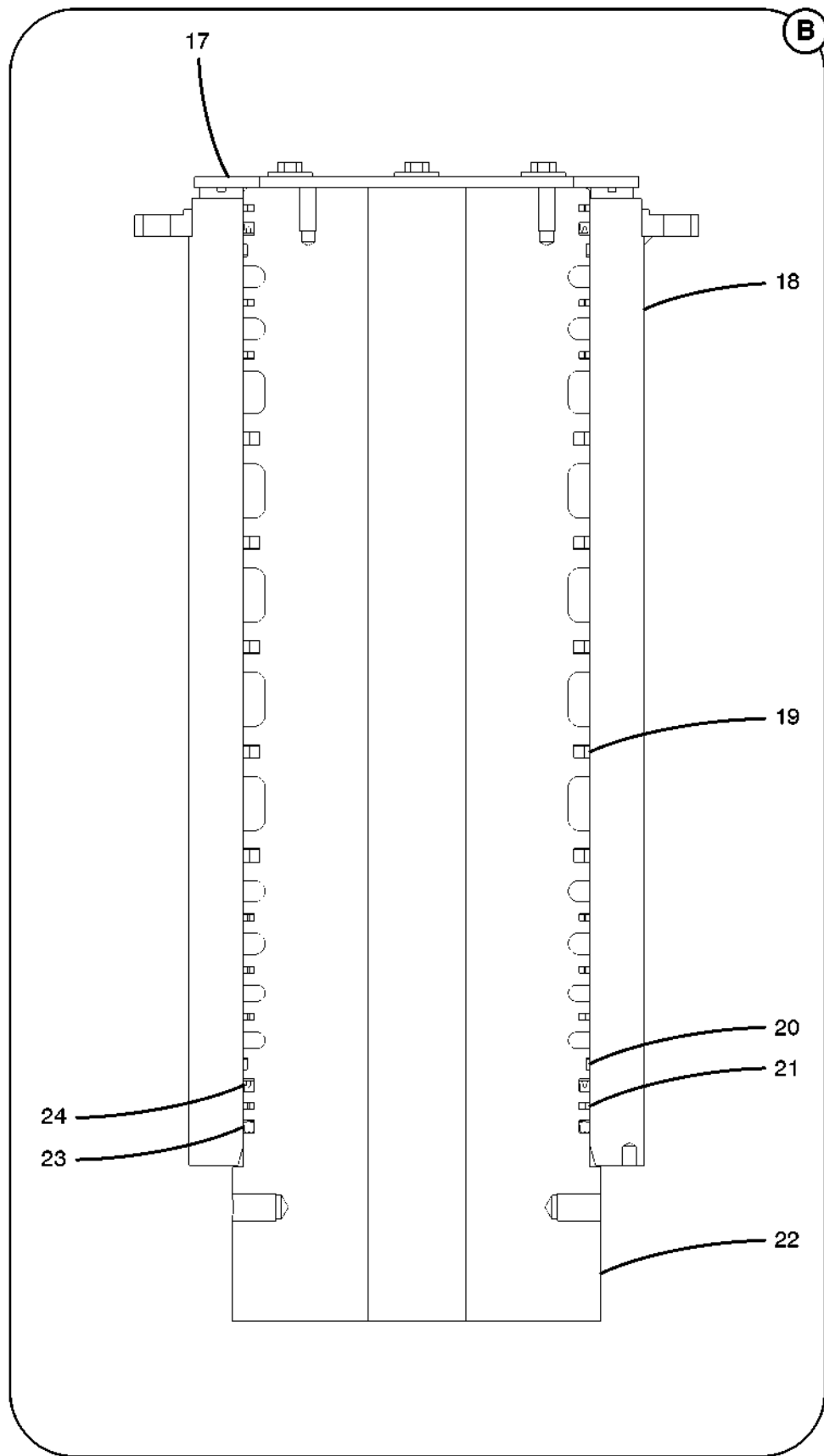


Parts List

0206

| Rotating Joint & Center Section | | | | |
|---------------------------------|-----------|-----|---|---------|
| REF | PART NO. | QTY | DESCRIPTION | REMARKS |
| 1 | J7J0301 | 1 | Bracket, Upper Rotating Joint | |
| | 126009058 | 4 | Capscrew | |
| | 128003009 | 4 | Washer | |
| 2 | REF | 1 | Collector Ring Assy – See Keysheet 01–076 | |
| | 18A2956 | 8 | Capscrew | |
| | 1X 5186 | 16 | Washer | |
| | 1X 4987 | 8 | Locknut | |
| 3 | 26F0089 | 2 | Clamp Assy | |
| 4 | J7J0409 | 1 | Rod | |
| | J7J0410 | 1 | End, Rod – LH Thread | |
| | J7J0523 | 1 | Nut, Jam – LH Thread | |
| | 39J0220 | 1 | End, Rod – RH Thread | |
| | 1X 0193 | 1 | Nut, Jam – RH Thread | |
| | 126009003 | 1 | Capscrew – 1" Lg | |
| | 126009004 | 1 | Capscrew – 1.25" Lg | |
| 5 | J7J0510 | 4 | Plate, Adaptor | |
| | 31J0237 | 16 | Flange, Split | |
| | 20J0771 | 8 | O–ring | |
| | 126009035 | 16 | Capscrew | |
| | 127004005 | 16 | Locknut | |
| 6 | J7J0884 | 1 | Tube Assy | |
| | 1X 5740 | 1 | O–ring | |
| | 126009014 | 4 | Capscrew | |
| | 20J2909 | 1 | Clamp Assy | |
| 7 | J7J0673 | 1 | Tube Assy | |
| | 20J0771 | 1 | O–ring | |
| | 126009112 | 4 | Capscrew | |
| | 20J2910 | 1 | Clamp Assy | |
| 8 | 1X 7382 | 2 | Elbow | |
| 9 | J7J0687 | 1 | Bracket | |
| | 1X 7607 | 2 | Screw | |
| 10 | 1X 7371 | 2 | Connector | |
| 11 | J7J0451 | 1 | Tube Assy | |
| | 1X 5740 | 1 | O–ring | |
| | 126009014 | 4 | Capscrew | |
| | 26F0089 | 1 | Clamp Assy | |
| 12 | J7J0456 | 1 | Hose Assy | |
| | 31J0237 | 2 | Flange, Split | |
| | 20J0771 | 1 | O–ring | |
| | 126009029 | 4 | Capscrew | |
| | F8J0124 | 1 | Clamp Assy | |
| 13 | J7J0458 | 1 | Hose Assy | |
| | 31J0237 | 2 | Flange, Split | |
| | 20J0771 | 1 | O–ring | |
| | 126009029 | 4 | Capscrew | |
| | F8J0124 | 1 | Clamp Assy | |
| 14 | J7J0459 | 1 | Hose Assy | |
| | 31J0237 | 2 | Flange, Split | |
| | 20J0771 | 1 | O–ring | |
| | 126009029 | 4 | Capscrew | |
| | F8J0124 | 1 | Clamp Assy | |

Rotating Joint & Center Section

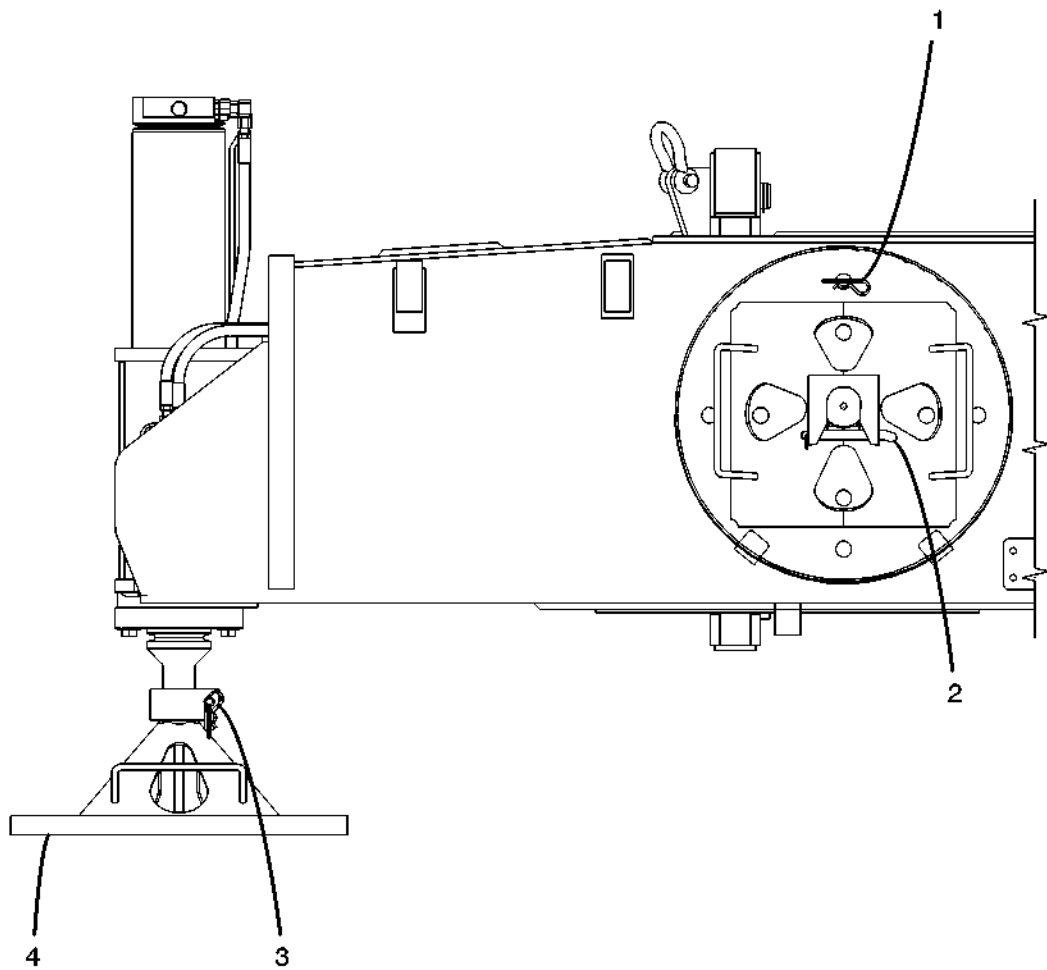


Parts List

0206

| Rotating Joint & Center Section | | | | |
|---------------------------------|-----------|-----|-----------------------------|---------|
| REF | PART NO. | QTY | DESCRIPTION | REMARKS |
| 15 | J7J0457 | 1 | Hose Assy | |
| | 31J0237 | 2 | Flange, Split | |
| | 20J0771 | 1 | O-ring | |
| | 126009029 | 4 | Capscrew | |
| | F8J0124 | 1 | Clamp Assy | |
| 16 | 1X 7597 | 2 | Capscrew | |
| | J7J0719 | 1 | 11 Way Rotating Joint Assy | |
| 17 | J7J0651 | 1 | Plate, End | |
| | 47J1395 | 1 | Ring, Wear | KA |
| | 126009014 | 6 | Capscrew | |
| | 128003004 | 6 | Washer | |
| 18 | J7J0674 | 1 | Housing, Rotor | |
| 19 | J7J0721 | 5 | Seal, Square Ring | KA |
| | J7J0310 | 5 | Ring, Piston | KA |
| 20 | 65J0148 | 2 | Bearing | KA |
| 21 | J6J0095 | 7 | Ring, Piston | KA |
| | 47J2188 | 7 | Seal, Square | KA |
| 22 | J7J0650 | 1 | Rotor, 11 Way | |
| 23 | 47J1873 | 1 | Seal, Rotor | KA |
| 24 | D7J0446 | 2 | Seal, U-cup | KA |
| | 3J 16429 | 1 | Kit, Seal – Items Marked KA | |

Pontoon Installation

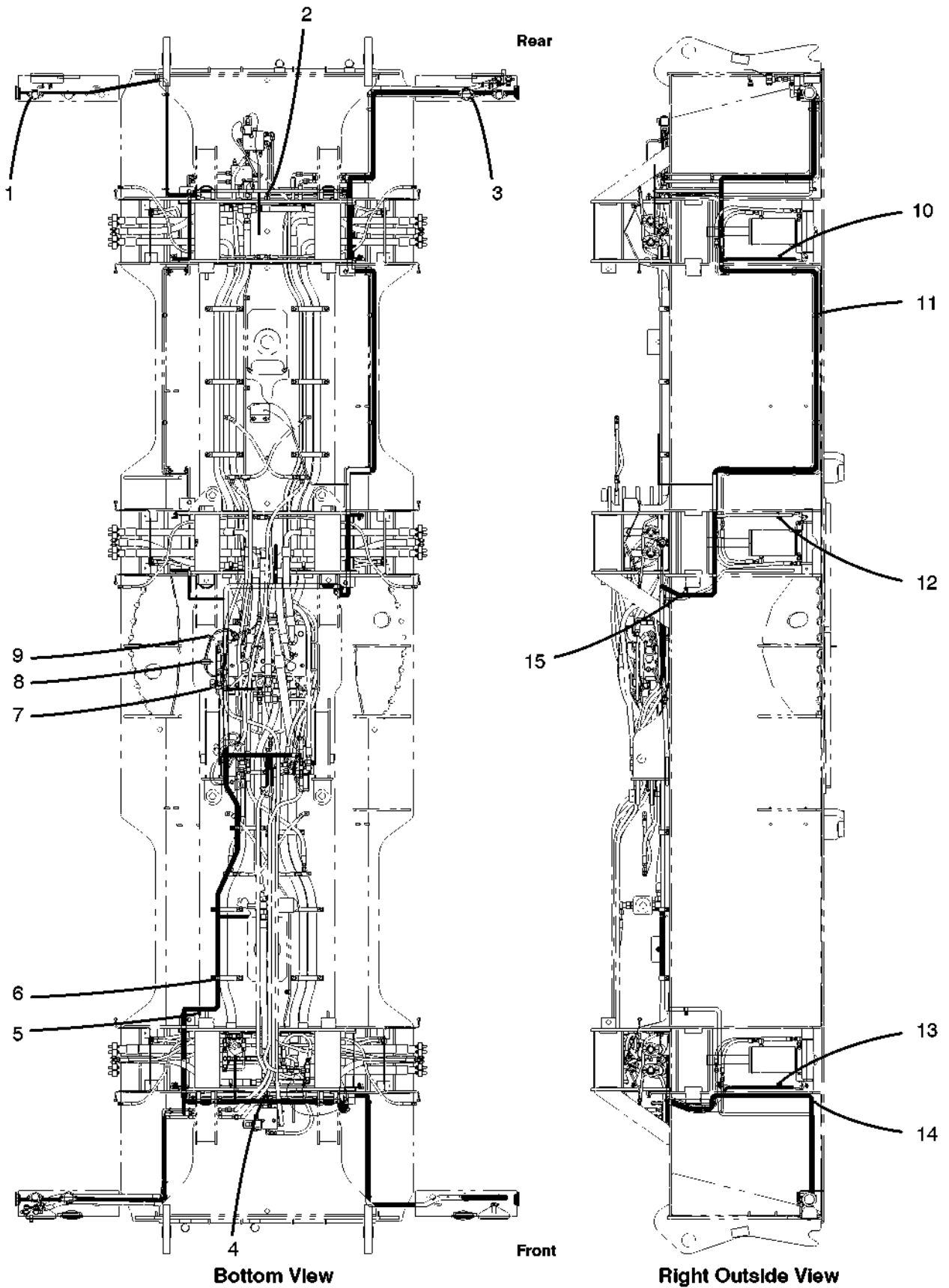


Parts List

1005

| Pontoon Installation | | | | |
|----------------------|----------|-----|--------------|---------|
| REF | PART NO. | QTY | DESCRIPTION | REMARKS |
| 1 | 32M1529 | 4 | Pin, Hair | |
| | J7A0586 | 4 | Pontoon Assy | |
| 2 | F8A1279 | 1 | Pin, Hitch | |
| 3 | 32M1529 | 1 | Pin, Hair | |
| 4 | J7A0706 | 1 | Pontoon | |

Carrier Wiring

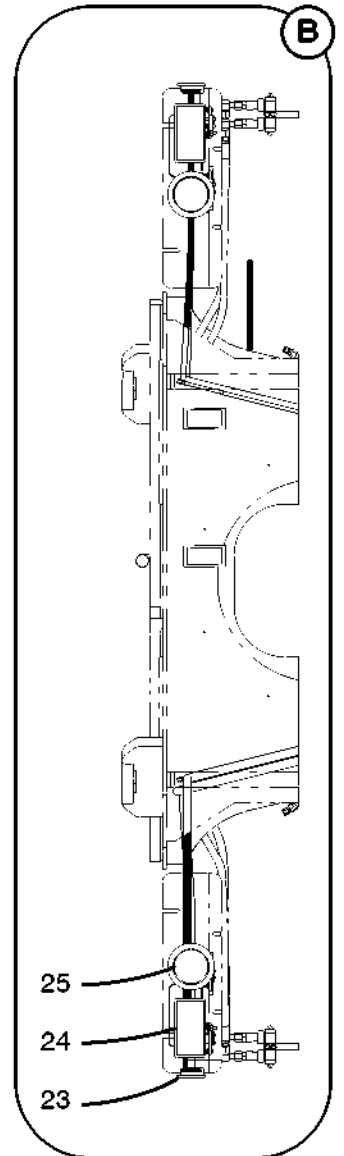
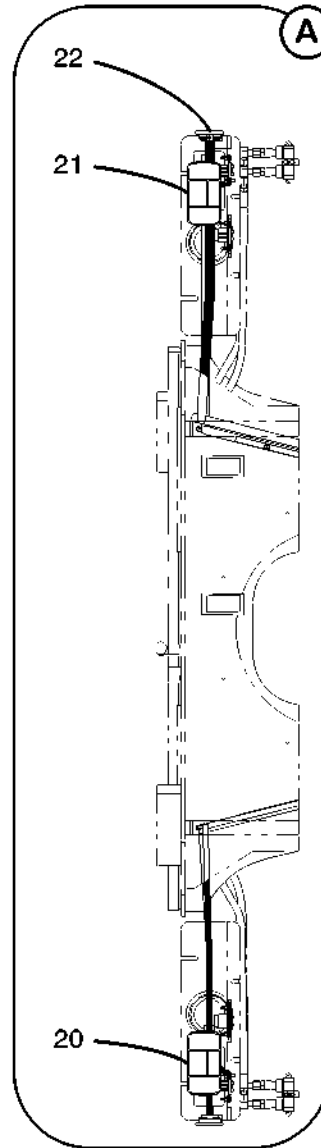
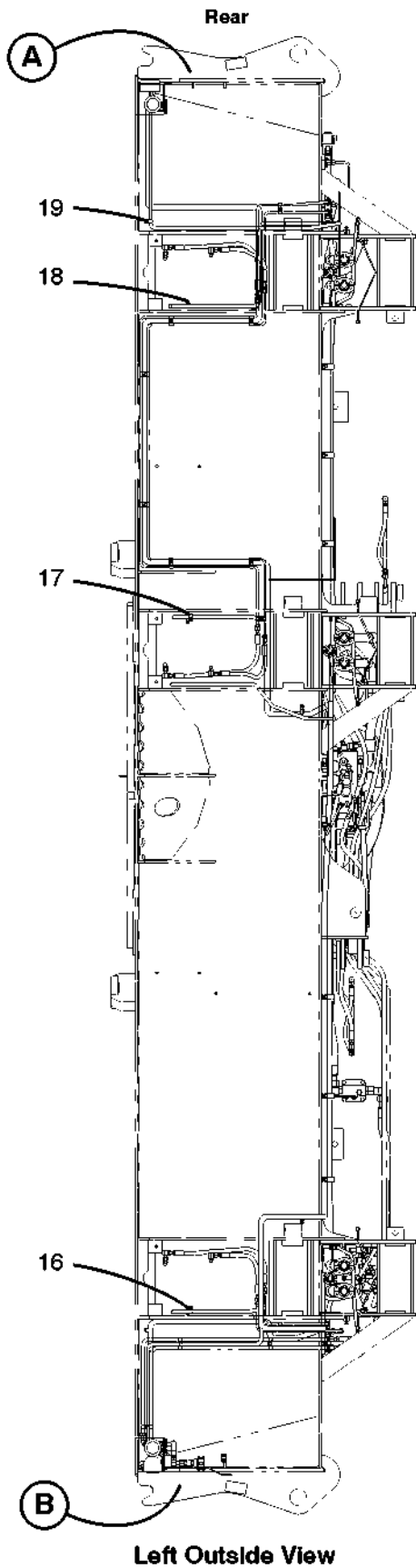


Parts List

0809

| Carrier Wiring | | | | |
|----------------|-----------|-----|----------------------------|---------|
| REF | PART NO. | QTY | DESCRIPTION | REMARKS |
| 1 | J7R0034 | 3 | Connector | |
| | 126009003 | 6 | Capscrew | |
| | 128003001 | 6 | Washer | |
| | 127004001 | 6 | Locknut | |
| 2 | 126009014 | 1 | Capscrew | |
| | 128003003 | 1 | Washer | |
| 3 | 65R0011 | 2 | Connector | |
| | 126009003 | 4 | Capscrew | |
| | 128003001 | 4 | Washer | |
| | 127004001 | 4 | Locknut | |
| 4 | 126009014 | 1 | Capscrew | |
| | 128003003 | 1 | Washer | |
| 5 | 1X 7192 | 1 | Clamp | |
| | 127004003 | 1 | Locknut | |
| 6 | 1X 7192 | 3 | Clamp | |
| 7 | 126009014 | 1 | Capscrew | |
| | 128003003 | 1 | Washer | |
| 8 | 155286002 | 1 | Lockwasher, Panel | |
| | 155285002 | 1 | Nut, Panel | |
| 9 | 1X 6407 | 1 | Clamp | |
| | 127004003 | 1 | Locknut | |
| 10 | 1X 6038 | 1 | Clamp | |
| | 127004003 | 1 | Locknut | |
| 11 | R3R0059 | 1 | Harness, Carrier Wire | |
| | D3R0154 | 1 | Module, 2 Diode | |
| | D3R0155 | 1 | Module, 1 Diode | |
| | 71J0005 | 30 | Tie, Cable – AR | |
| 12 | 1X 6038 | 1 | Clamp | |
| | 127004003 | 1 | Locknut | |
| 13 | 1X 6038 | 1 | Clamp | |
| | 127004003 | 1 | Locknut | |
| 14 | 1X 6511 | 2 | Clamp | |
| | 127004003 | 2 | Locknut | |
| 15 | 1X 7192 | 1 | Clamp | |
| | 127004003 | 1 | Locknut | |
| 16 | 1X 6038 | 1 | Clamp | |
| | 127004003 | 1 | Locknut | |
| 17 | 1X 6038 | 1 | Clamp | |
| | 127004003 | 1 | Locknut | |
| 18 | 1X 6038 | 1 | Clamp | |
| | 127004003 | 1 | Locknut | |
| 19 | 1X 6511 | 2 | Clamp | |
| | 127004003 | 2 | Locknut | |
| 20 | J6R0061 | 1 | Taillight, Left | |
| 21 | J6R0060 | 1 | Taillight, Right | |
| 22 | F7R0085 | 2 | Light, Red Marker | |
| | F7R0084 | 2 | Grommet, Light | |
| | F7R0088 | 2 | Harness, Marker Light Wire | |

Carrier Wiring

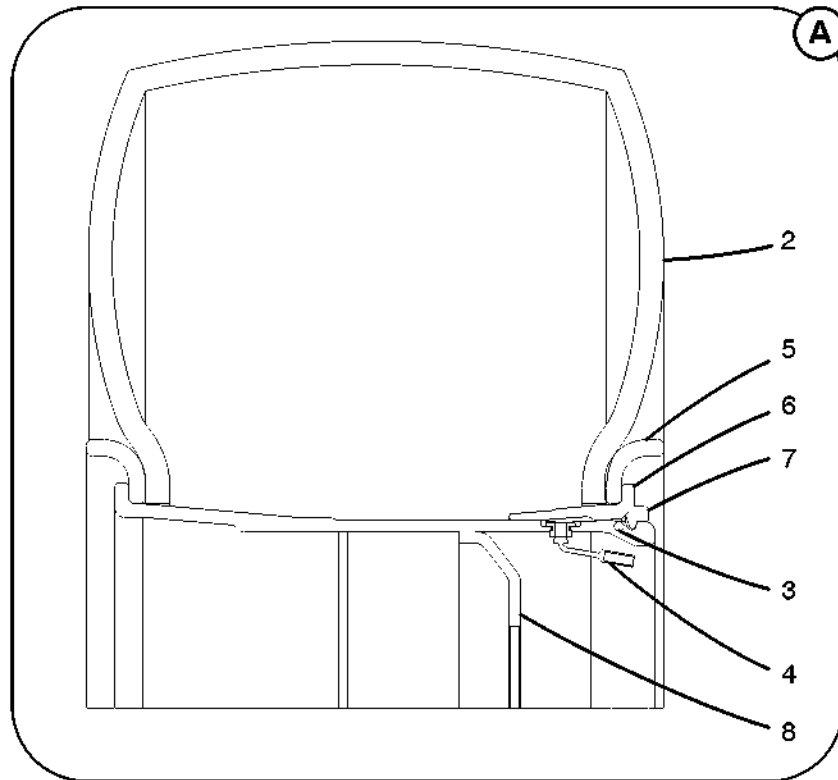
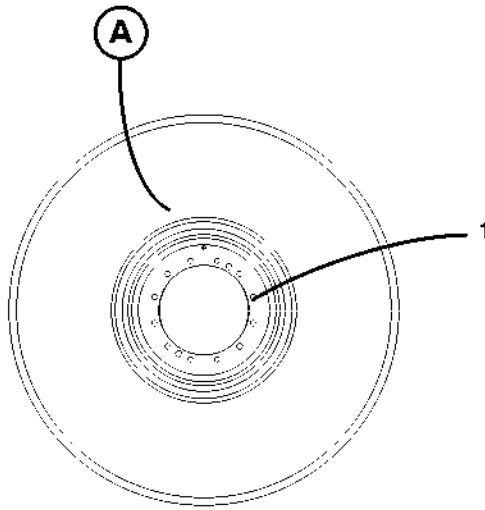


Parts List

0809

| Carrier Wiring | | | | |
|----------------|----------|-----|----------------------------|---------|
| REF | PART NO. | QTY | DESCRIPTION | REMARKS |
| 23 | F7R0083 | 2 | Light, Yellow Marker | |
| | F7R0084 | 2 | Grommet, Light | |
| | F7R0088 | 2 | Harness, Marker Light Wire | |
| 24 | D3R0138 | 2 | Light, Drive | |
| 25 | J7R0025 | 2 | Light, Yellow Turn/Park | |
| | J7R0024 | 2 | Grommet | |
| | F2R0049 | 2 | Harness, Pigtail | |

Tire & Wheel Assy

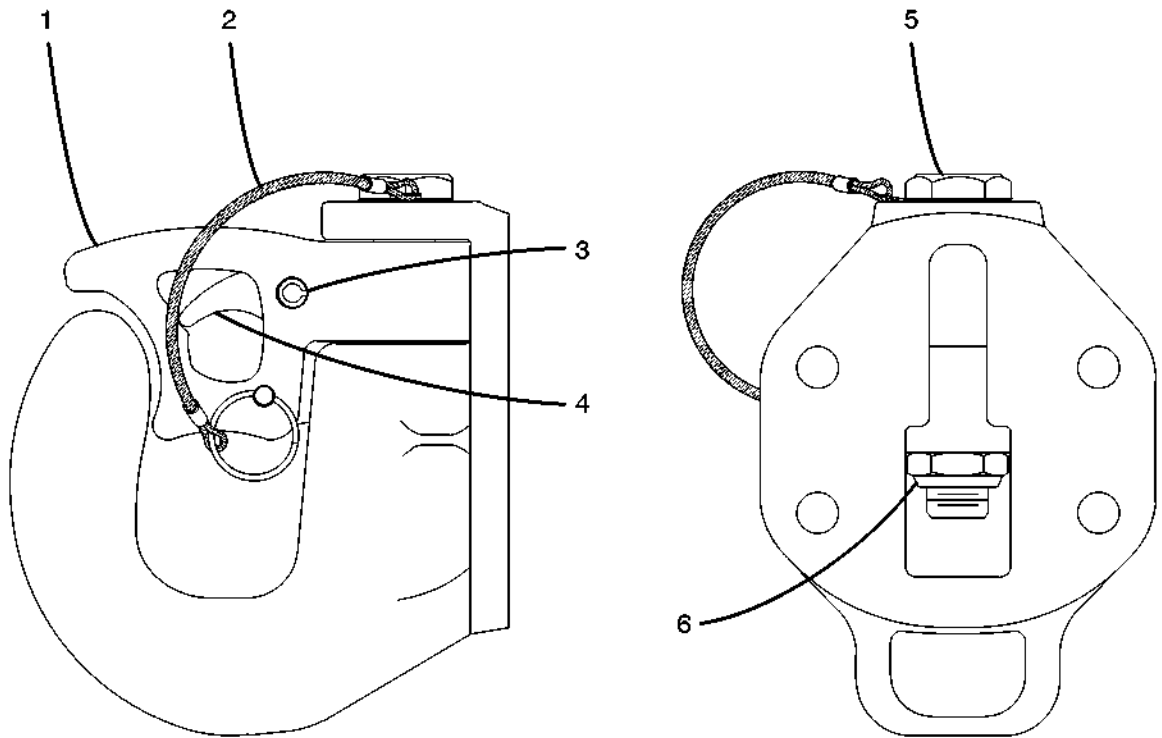


Parts List

0110

| Tire & Wheel Assy | | | | |
|-------------------|----------|-----|-------------------|---------|
| REF | PART NO. | QTY | DESCRIPTION | REMARKS |
| 1 | J7A0447 | 72 | Nut, Wheel | |
| | J7A0461 | 72 | Stud | |
| 2 | J7A0744 | 6 | Tire & Wheel Assy | |
| | J7A0743 | 1 | Tire | |
| 3 | 47A1435 | 1 | O-ring | |
| 4 | 45A0172 | 1 | Valve, Tire | |
| 5 | J7A0325 | 1 | Kit, Wheel | |
| | 58A0037 | 2 | Flange, Side | |
| 6 | 47A1437 | 1 | Ring, Bead Seat | |
| 7 | 47A1436 | 1 | Ring, Lock | |
| 8 | J7A0324 | 1 | Wheel | |

Pintle Hook Assy

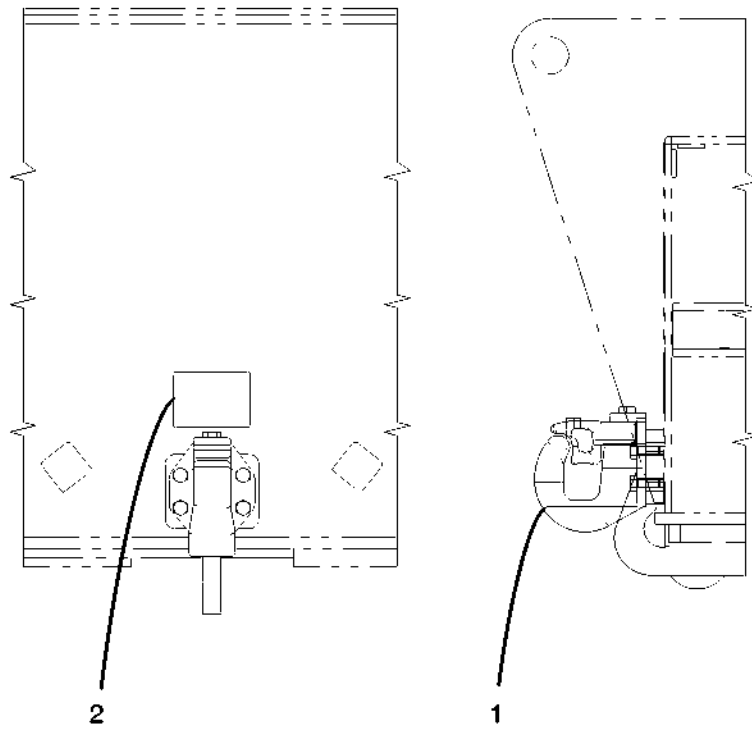


Parts List

0208

| Pintle Hook Assy | | | | |
|------------------|----------|-----|---------------------|---------|
| REF | PART NO. | QTY | DESCRIPTION | REMARKS |
| | P9A0550 | 1 | Pintle Hook Assy | |
| 1 | 3A 25216 | 1 | Latch | |
| 2 | 3A 25215 | 1 | Pin, Latch | |
| 3 | 3A 25219 | 1 | Pin, Roll | |
| 4 | 3A 25214 | 1 | Trigger | |
| 5 | 3A 25220 | 1 | Bolt | |
| 6 | 3A 25221 | 1 | Locknut | |
| | 3A 25218 | 1 | Spring – Not Shown | |
| | 3A 25217 | 1 | Bushing – Not Shown | |

Pintle Hook Installation

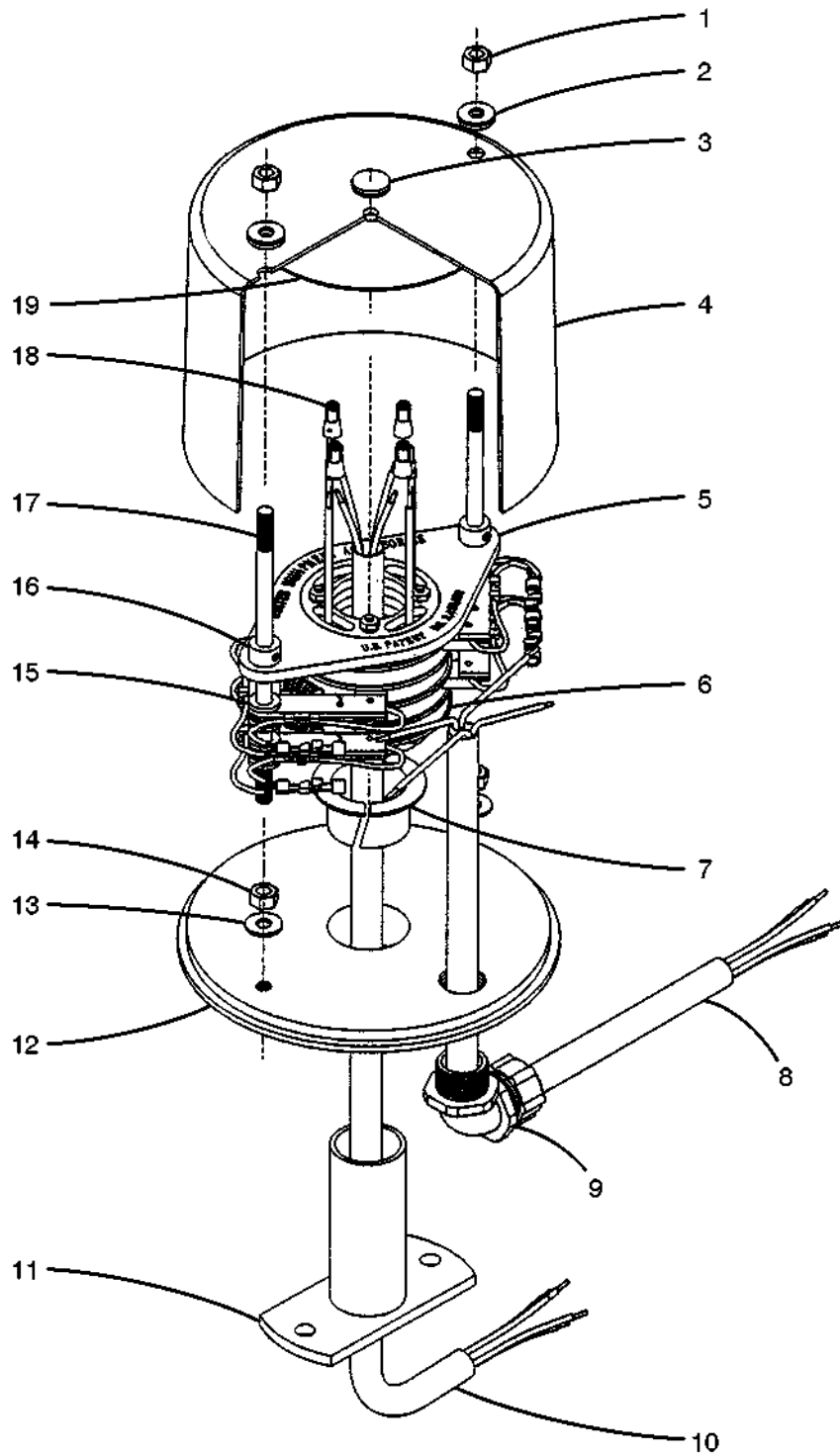


Parts List

0408

| Pintle Hook Installation | | | | |
|--------------------------|-----------|-----|--|---------|
| REF | PART NO. | QTY | DESCRIPTION | REMARKS |
| 1 | REF | 1 | Pintle Hook Assy – See Keysheet 01–070 | |
| | 126009027 | 4 | Capscrew | |
| 2 | F1P0075 | 1 | Label, Pintle Hook Load | |

Collector Ring Assy

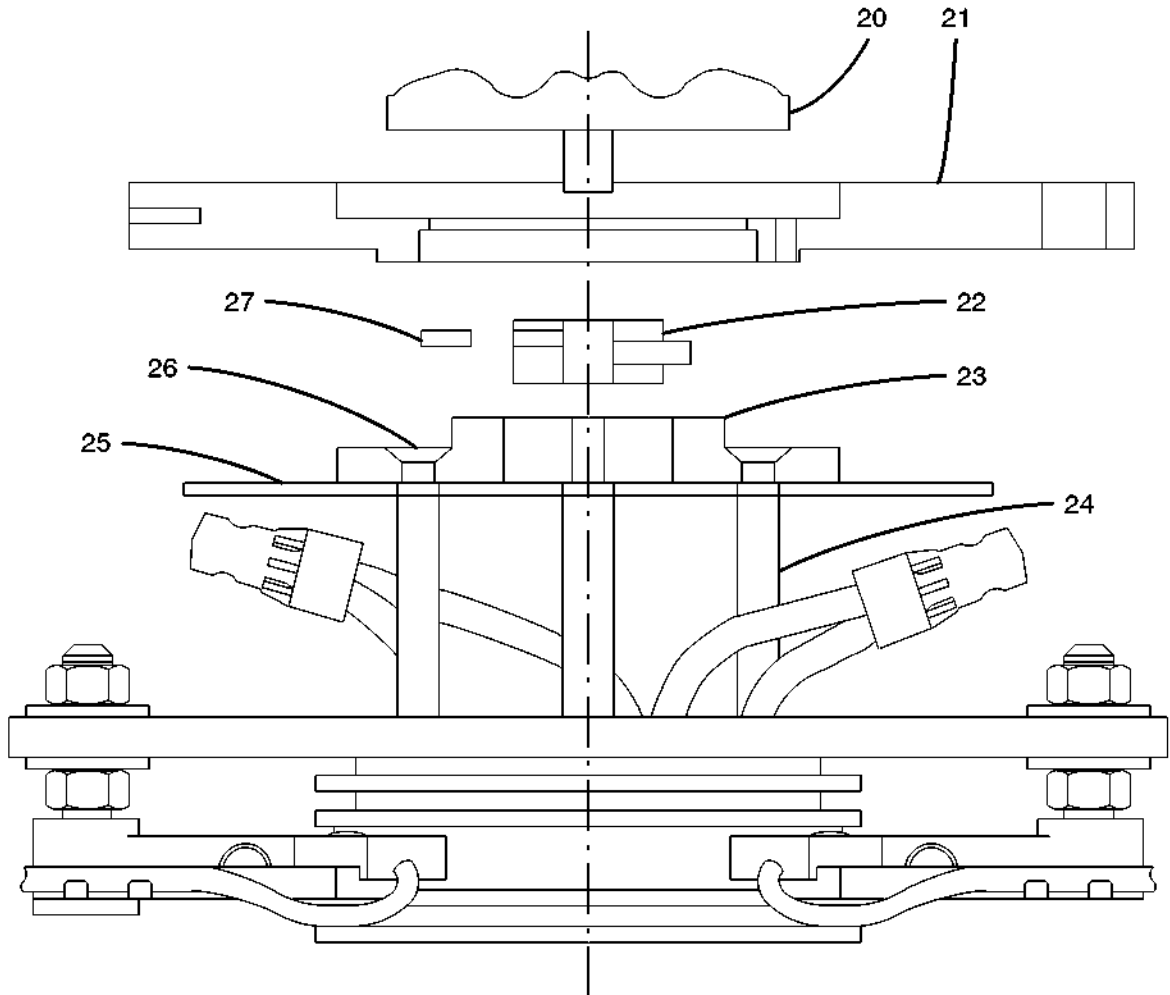


Parts List

0707

| Collector Ring Assy | | | | |
|---------------------|----------|-----|---|---------|
| REF | PART NO. | QTY | DESCRIPTION | REMARKS |
| | J7R0137 | 1 | Collector Ring Assy | |
| 1 | 3R 1458 | 2 | Locknut | |
| 2 | 3R 1459 | 2 | Washer | |
| 3 | 3R 1771 | 1 | Nut, Acorn | |
| 4 | 3R 1777 | 1 | Cover | |
| 5 | 3R 1386 | 1 | Bearing, Outboard | |
| 6 | J7R0140 | 1 | Slip Ring Core Assy | |
| 7 | 3R 1872 | 2 | Bearing, Nylon | |
| 8 | J7R0139 | 1 | Brush Harness Assy | |
| 9 | 3R 1776 | 1 | Connector | |
| | 3R 1865 | 1 | Washer, Sealing | |
| | 3R 1866 | 1 | Locknut | |
| 10 | J7R0138 | 1 | Center Harness Assy | |
| 11 | 3R 1895 | 1 | Tube, Mounting | |
| 12 | 3R 1775 | 1 | Bracket, Base | |
| 13 | 3R 1461 | 9 | Washer | |
| 14 | 3R 1538 | 9 | Nut, Jam | |
| 15 | 3R 0461 | 1 | Brush & Arm Assy – 45 Amp | |
| | 3R 0632 | 1 | Spring | |
| | 3R 0628 | 1 | Disconnect, Knife | |
| | 3R 1090 | 1 | Sleeve | |
| | 3H 0660 | 6 | Brush & Arm Assy – 15 Amp | |
| | 3R 1286 | 1 | Spring | |
| | 3R 1282 | 2 | Disconnect, Knife | |
| | 3R 1086 | 1 | Sleeve | |
| | 3R 1008 | 22 | Brush & Arm Assy – 7.5 Amp | |
| | 3R 1009 | 1 | Spring | |
| | 3R 1282 | 2 | Disconnect, Knife | |
| | 3R 1086 | 1 | Sleeve | |
| 16 | 3R 1772 | 2 | Collar, Set | |
| 17 | 3R 1726 | 2 | Stud, Brush Holding | |
| 18 | 3R 0622 | 9 | Connector, Setscrew – Use On 45 & 15 Amp Circuits | |
| | 3R 1387 | 22 | Connector, Setscrew – Use On 7.5 Amp Circuits | |
| 19 | 3R 1456 | 1 | Disk, Rub | |

Collector Ring Assy

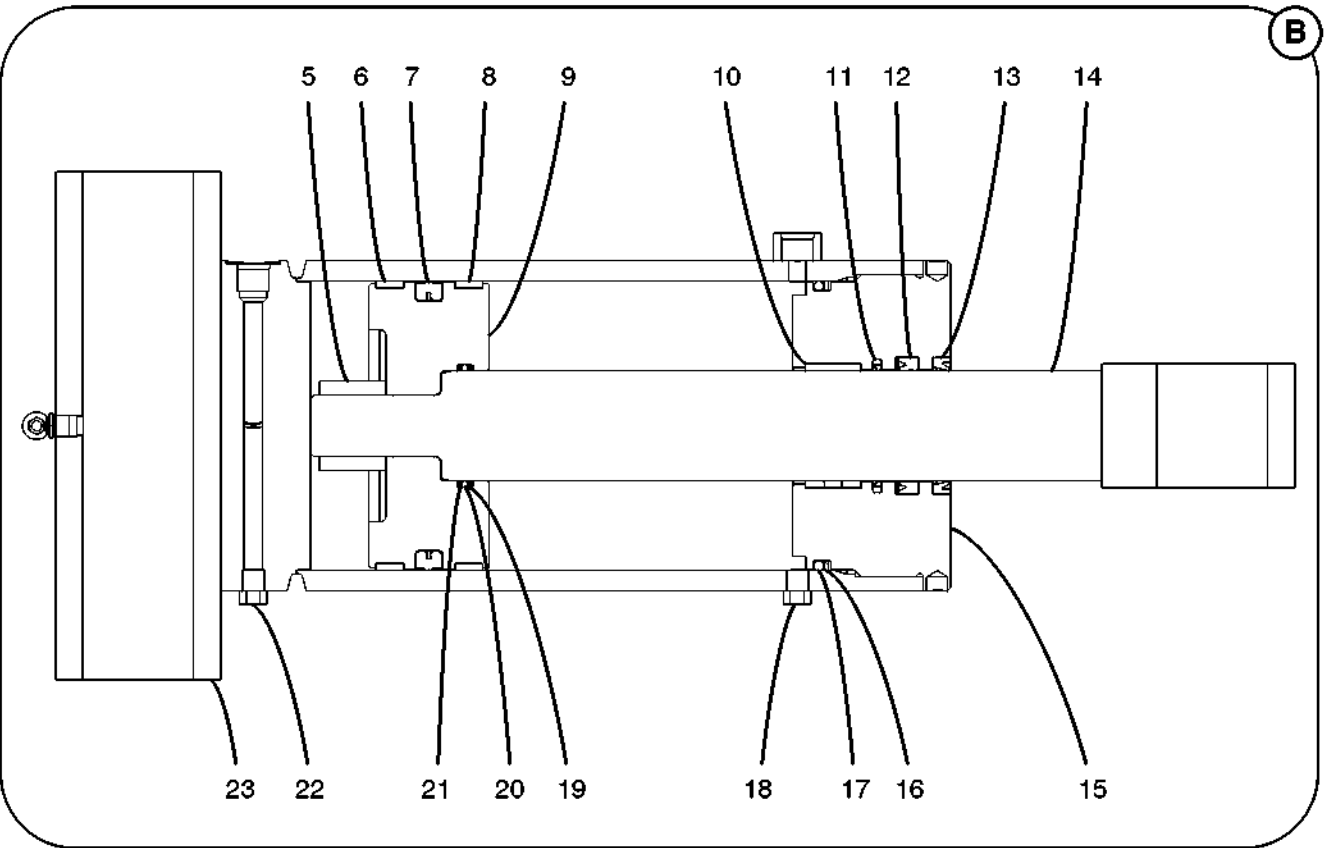
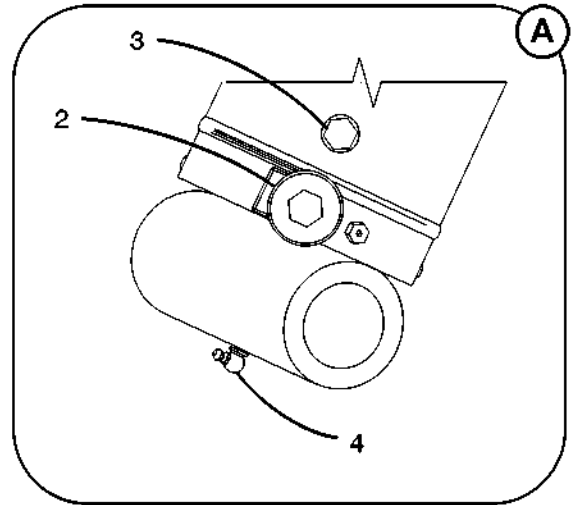
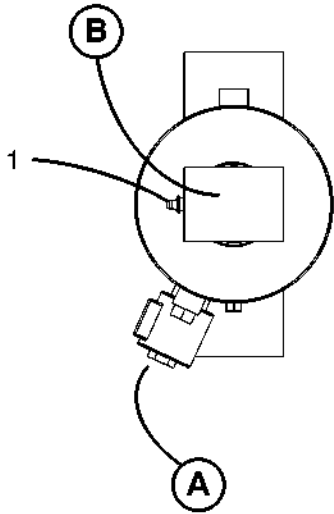


Parts List

0707

| Collector Ring Assy | | | | |
|---------------------|----------|-----|-----------------------------------|---------|
| REF | PART NO. | QTY | DESCRIPTION | REMARKS |
| 20 | 3R 1728 | 1 | Potentiometer, Slew | |
| 21 | 3R 1736 | 1 | Plate, Mounting | |
| 22 | 3R 1734 | 1 | Drive, Shaft | |
| 23 | 3R 1733 | 1 | Plate, Torque | |
| 24 | 3R 1853 | 4 | Spacer, Stand-Off | |
| 25 | 3R 1735 | 1 | Disc, Rub | |
| 26 | 3R 1809 | 4 | Screw | |
| 27 | 3R 1774 | 2 | Setscrew | |
| | 3R 1213 | 1 | Collar, Set – Not Shown | |
| | 3R 1599 | 1 | Stud, Leveling – Not Shown | |
| | 3R 1879 | 1 | Clamp, Cable – Not Shown | |
| | 3R 1737 | 3 | Clamp, Servo Mounting – Not Shown | |
| | 3R 1896 | 1 | Capscrew – Not Shown | |
| | 3R 1729 | 1 | Cam – Not Shown | |
| | 3R 1731 | 1 | Switch, Oscillation – Not Shown | |
| | 3R 1800 | 1 | Switch, Travel/Steer – Not Shown | |

Oscillation Cylinder Assy

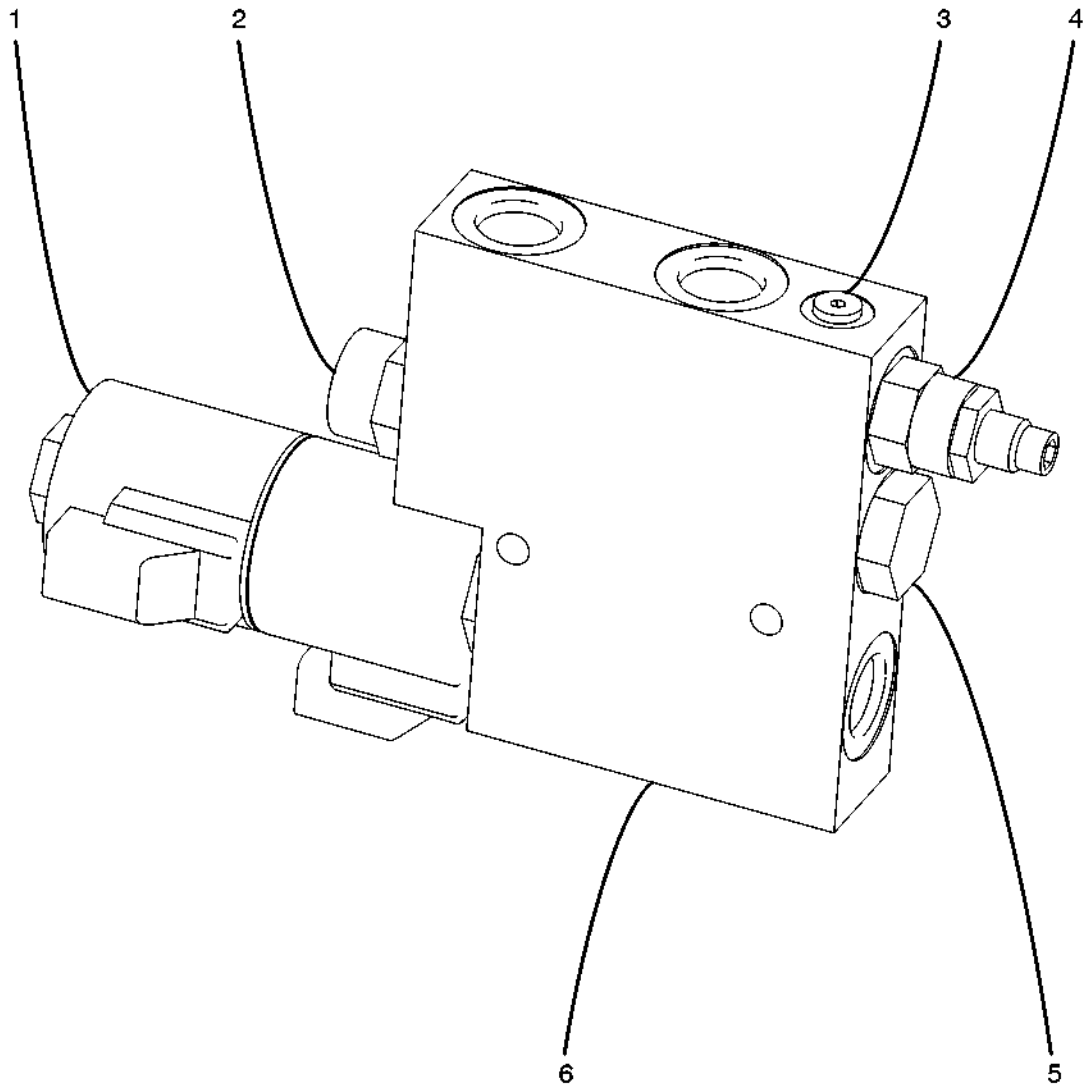


Parts List

0901

| Oscillation Cylinder Assy | | | | |
|---------------------------|----------|-----|---------------------------------|---------|
| REF | PART NO. | QTY | DESCRIPTION | REMARKS |
| | J7J0586 | 1 | Oscillation Cylinder Assy | |
| 1 | 1X 0812 | 1 | Fitting, Grease | |
| 2 | F7J0452 | 1 | Valve, Holding Cartridge | |
| | 3J 11666 | 1 | Cartridge | |
| | 3J 11667 | 1 | Kit, Seal | |
| | 3J 12813 | 1 | Coil | |
| 3 | 1X 3581 | 1 | Plug | |
| | 1J 2700 | 1 | O-ring | KA |
| 4 | 1X 1800 | 1 | Fitting, Grease | |
| 5 | F7J0357 | 1 | Locknut | |
| 6 | J7J0307 | 1 | Ring, Wear | KA |
| 7 | J7J0305 | 1 | Seal, Piston | KA |
| 8 | J7J0307 | 1 | Ring, Wear | KA |
| 9 | J7J0022 | 1 | Piston | |
| 10 | F7J0106 | 1 | Ring, Wear | KA |
| 11 | D6J0440 | 1 | Seal, Step | KA |
| 12 | F7J0105 | 1 | Seal, Double Lip | KA |
| 13 | F7J0104 | 1 | Wiper, Rod | KA |
| 14 | J7J0591 | 1 | Rod | |
| 15 | J7J0021 | 1 | Gland | |
| 16 | 31V0288 | 1 | Ring, Back Up | KA |
| 17 | 31V0287 | 1 | O-ring | KA |
| 18 | 69J0092 | 1 | Valve, Bleeder | |
| 19 | F7J0113 | 1 | Ring, Back Up | KA |
| 20 | 1X 8015 | 1 | O-ring | KA |
| 21 | F7J0113 | 1 | Ring, Back Up | KA |
| 22 | 69J0092 | 1 | Valve, Bleeder | |
| 23 | J7J0588 | 1 | Case | |
| | 3J 15735 | 1 | Kit, Seal – All Items Marked KA | |

Oscillation Lockout Manifold Assy

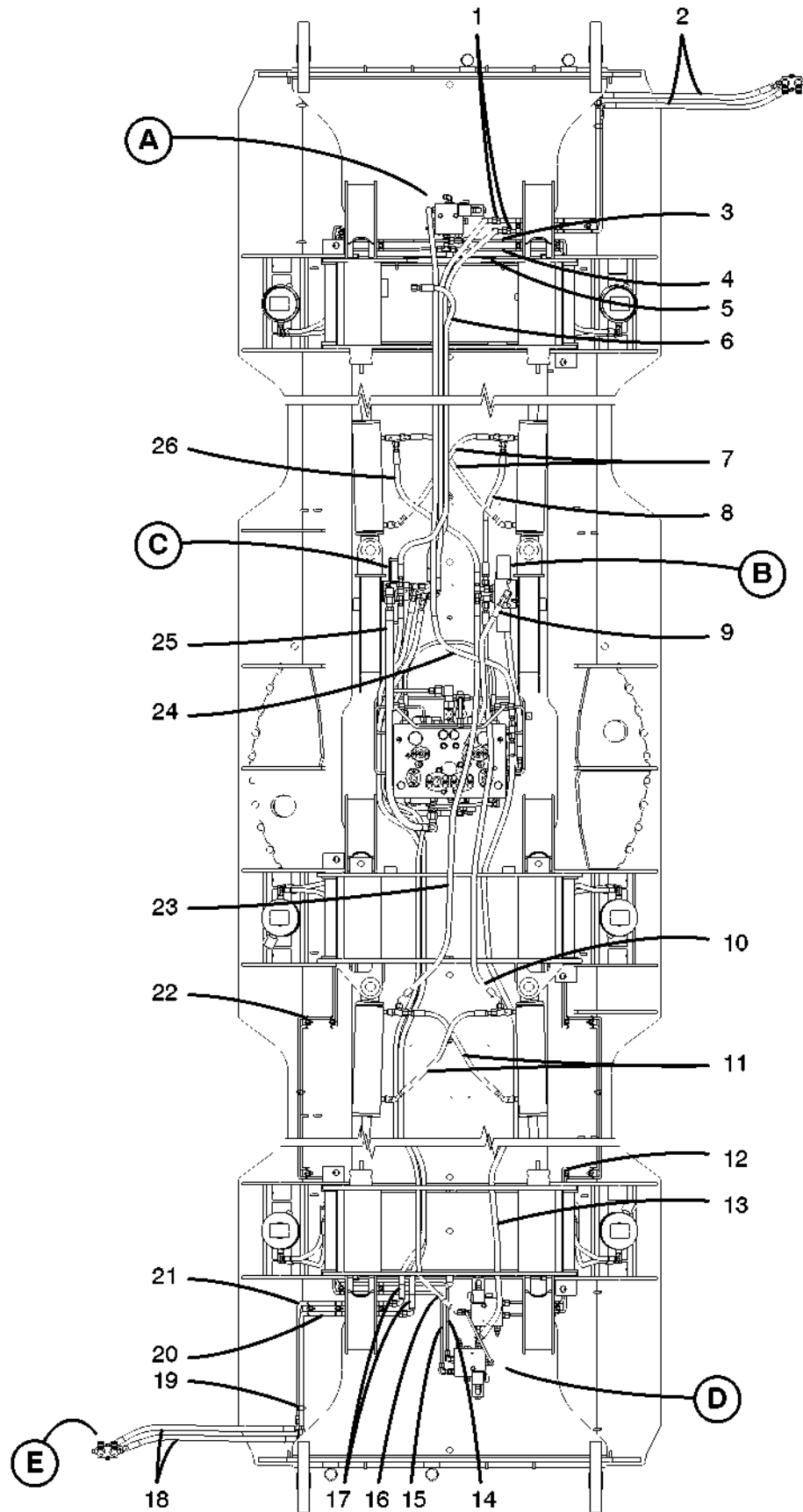


Parts List

1105

| Oscillation Lockout Manifold Assy | | | | |
|-----------------------------------|----------|-----|---|---------|
| REF | PART NO. | QTY | DESCRIPTION | REMARKS |
| 1 | N4J0071 | 1 | Oscillation Lockout Mainfold Assy | |
| | 3J 17512 | 2 | Cartridge, Motor Spool Valve | |
| | 3J 13664 | 1 | Kit, Seal | |
| 2 | F7J0193 | 1 | Cartridge, Check Valve W/Thermal Relief | |
| | 3J 11667 | 1 | Kit, Seal | |
| 3 | 1X 5922 | 3 | Plug | |
| 4 | 3J 14832 | 1 | Cartridge, Needle Valve | |
| | 3J 13994 | 1 | Kit, Seal | |
| | 3J 14695 | 1 | Orifice | |
| 5 | F7J0192 | 1 | Cartridge, Check Valve | |
| | 3J 14691 | 1 | Kit, Seal | |
| 6 | F7J0195 | 1 | Piston, Pilot | |
| | REF | 1 | Body | |

Lower Main Hydraulics

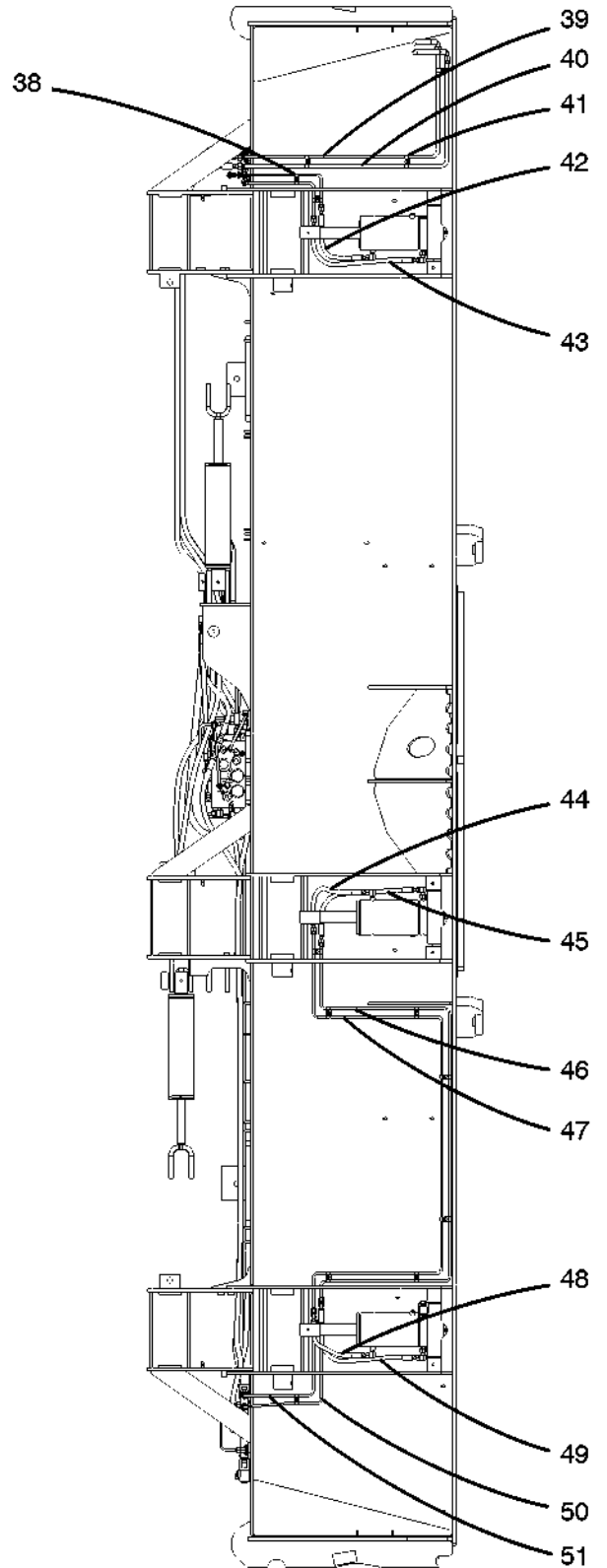
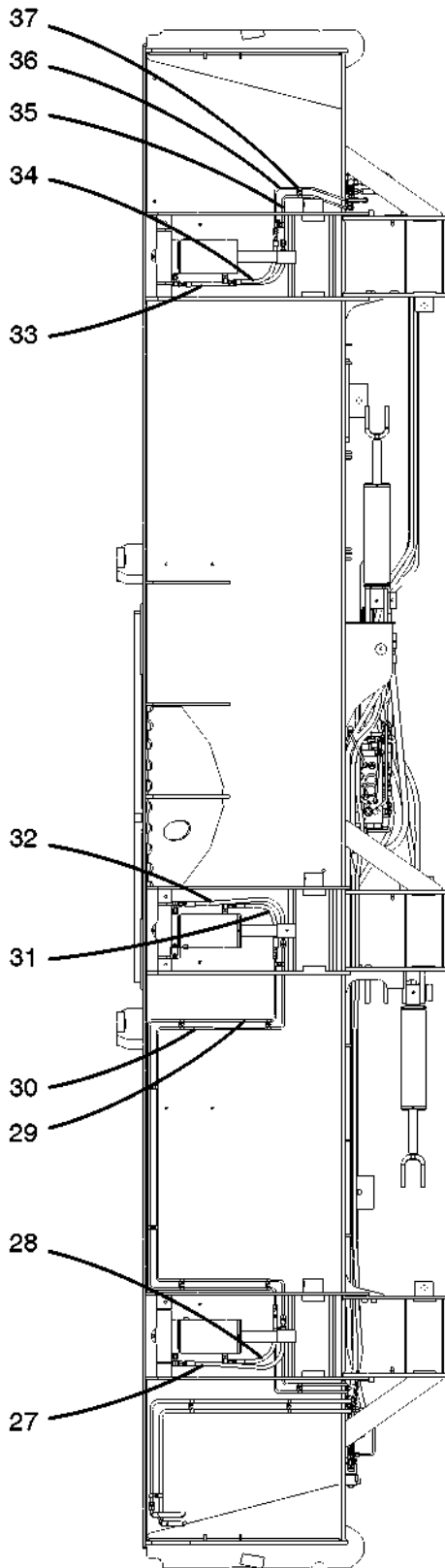


Parts List

0708

| Lower Main Hydraulics | | | | |
|-----------------------|-----------|-----|--------------|---------|
| REF | PART NO. | QTY | DESCRIPTION | REMARKS |
| 1 | J7J0668 | 2 | Hose Assy | |
| | 1X 7405 | 2 | Elbow | |
| 2 | E8J0410 | 2 | Hose Assy | |
| 3 | J7J0483 | 1 | Tube Assy | |
| 4 | J7J0482 | 1 | Tube Assy | |
| 5 | 824025010 | 1 | Trim – 1.48' | |
| 6 | 70J0082 | 1 | Hose Assy | |
| 7 | E8J0319 | 2 | Hose Assy | |
| | 1X 7552 | 2 | Elbow | |
| | 1X 7399 | 2 | Tee | |
| 8 | 65J0431 | 1 | Hose Assy | |
| 9 | H9J0054 | 1 | Hose Assy | |
| 10 | F7J0249 | 1 | Hose Assy | |
| | 71J0005 | 5 | Tie, Cable | |
| 11 | E8J0319 | 2 | Hose Assy | |
| | 1X 7552 | 2 | Elbow | |
| | 1X 7399 | 2 | Tee | |
| 12 | 39J0218 | 18 | Clamp | |
| | 127004003 | 9 | Locknut | |
| 13 | J7J0836 | 1 | Hose Assy | |
| 14 | J7J0490 | 1 | Tube Assy | |
| 15 | J7J0491 | 1 | Tube Assy | |
| 16 | J7J0500 | 1 | Hose Assy | |
| 17 | J7J0670 | 2 | Hose Assy | |
| 18 | E8J0410 | 2 | Hose Assy | |
| 19 | 1X 6511 | 8 | Clamp | |
| | 127004003 | 4 | Locknut | |
| 20 | J7J0624 | 1 | Tube Assy | |
| 21 | J7J0623 | 1 | Tube Assy | |
| 22 | 39J0218 | 20 | Clamp | |
| | 127004003 | 10 | Locknut | |
| 23 | F7J0391 | 1 | Hose Assy | |
| | 71J0005 | 5 | Tie, Cable | |
| 24 | D7J0250 | 1 | Hose Assy | |
| 25 | J7J0669 | 1 | Hose Assy | |
| 26 | H9J0032 | 1 | Hose Assy | |
| 27 | J7J0498 | 1 | Hose Assy | |
| | 1X 7404 | 1 | Elbow | |
| | 1X 7368 | 1 | Connector | |
| 28 | E8J0273 | 1 | Hose Assy | |
| | 1X 7385 | 1 | Elbow | |
| 29 | J7J0626 | 1 | Tube Assy | |
| 30 | J7J0625 | 1 | Tube Assy | |
| 31 | 65J1115 | 1 | Hose Assy | |
| | 1X 7385 | 1 | Elbow | |
| 32 | 65J0477 | 1 | Hose Assy | |
| | 1X 7404 | 1 | Elbow | |
| | 1X 7368 | 1 | Connector | |
| 33 | 65J0477 | 1 | Hose Assy | |
| | 1X 7404 | 1 | Elbow | |
| | 1X 7368 | 1 | Connector | |
| 34 | 65J1115 | 1 | Hose Assy | |
| | 1X 7385 | 1 | Elbow | |

Lower Main Hydraulics

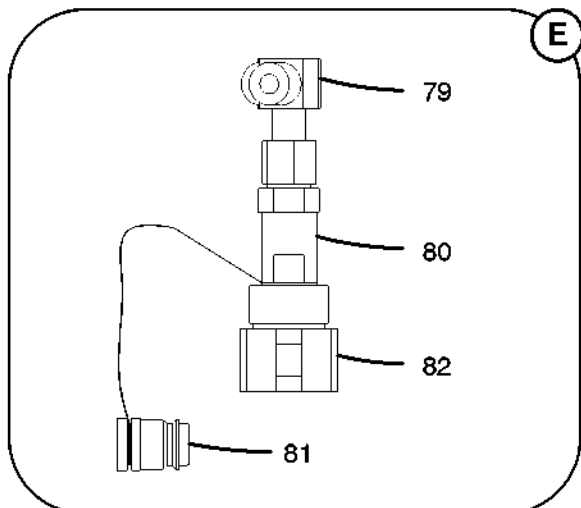
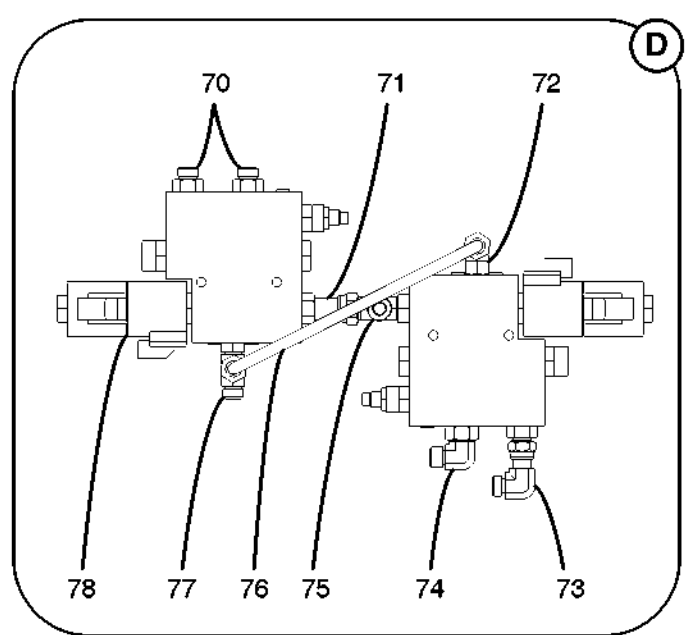
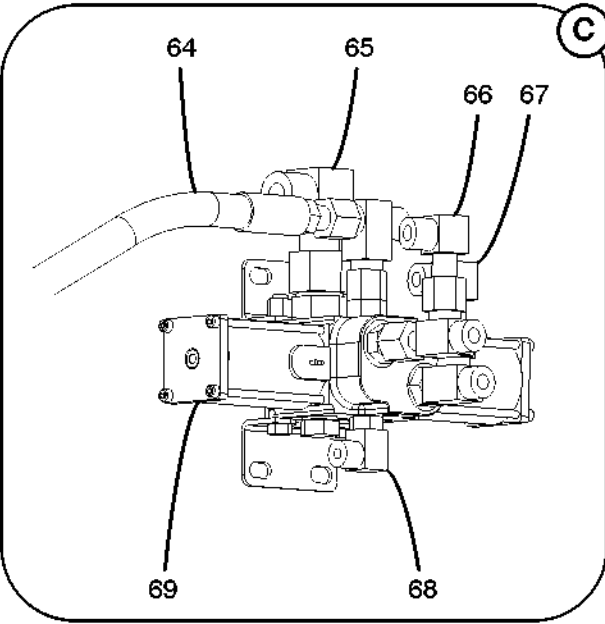
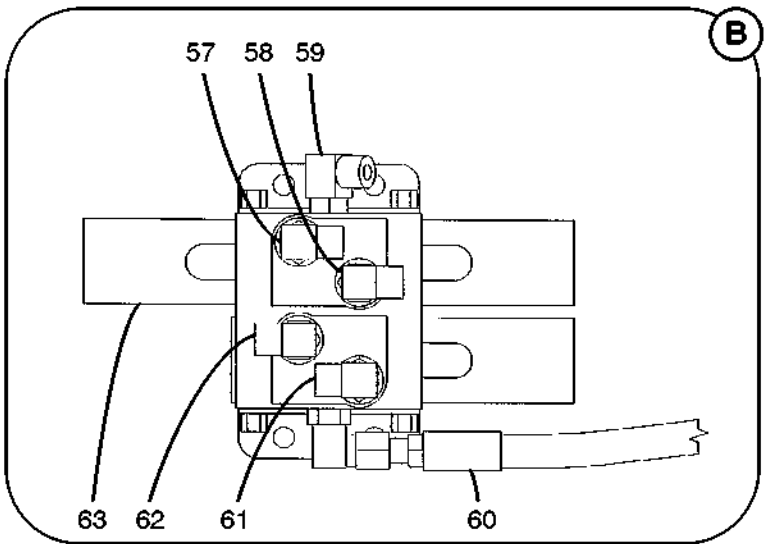
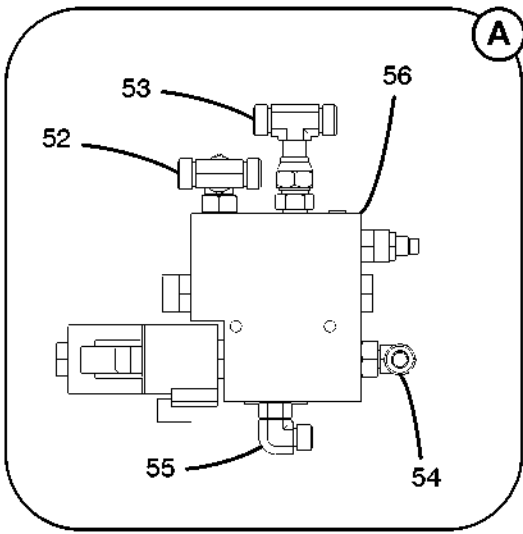


Parts List

0708

| Lower Main Hydraulics | | | | |
|-----------------------|-----------|-----|---|---------|
| REF | PART NO. | QTY | DESCRIPTION | REMARKS |
| 35 | J7J0488 | 1 | Tube Assy | NSS |
| 36 | J7J0489 | 1 | Tube Assy | |
| 37 | 39J0218 | 6 | Clamp | |
| | 127004003 | 3 | Locknut | |
| 38 | 39J0218 | 6 | Clamp | |
| | 127004003 | 3 | Locknut | |
| 39 | J7J0624 | 1 | Tube Assy | |
| 40 | J7J0623 | 1 | Tube Assy | |
| 41 | 1X 6511 | 8 | Clamp | |
| | 127004003 | 4 | Locknut | |
| 42 | 65J1115 | 1 | Hose Assy | |
| | 1X 7385 | 1 | Elbow | |
| 43 | 65J0477 | 1 | Hose Assy | |
| | 1X 7404 | 1 | Elbow | |
| | 1X 7368 | 1 | Connector | |
| 44 | 65J1115 | 1 | Hose Assy | |
| | 1X 7385 | 1 | Elbow | |
| 45 | 65J0477 | 1 | Hose Assy | |
| | 1X 7404 | 1 | Elbow | |
| | 1X 7368 | 1 | Connector | |
| 46 | J7J0626 | 1 | Tube Assy | |
| 47 | J7J0625 | 1 | Tube Assy | |
| 48 | E8J0273 | 1 | Hose Assy | |
| | 1X 7385 | 1 | Elbow | |
| 49 | J7J0498 | 1 | Hose Assy | |
| | 1X 7404 | 1 | Elbow | |
| | 1X 7368 | 1 | Connector | |
| 50 | J7J0485 | 1 | Tube Assy | |
| 51 | J7J0484 | 1 | Tube Assy | |
| | R3J0151 | 1 | Front Oscillation Valve S/A | |
| 52 | 1X 7411 | 1 | Tee | |
| | 1X 7388 | 1 | Elbow | |
| 53 | 1X 7411 | 1 | Tee | |
| | 1X 7371 | 1 | Connector | |
| 54 | 1X 7388 | 1 | Elbow | |
| 55 | 1X 7385 | 1 | Elbow | |
| 56 | REF | 1 | Oscillation Lockout Manifold Assy – See Keysheet 01-078 | |
| | 126009006 | 2 | Capscrew | |
| | 128003001 | 2 | Washer | |

Lower Main Hydraulics

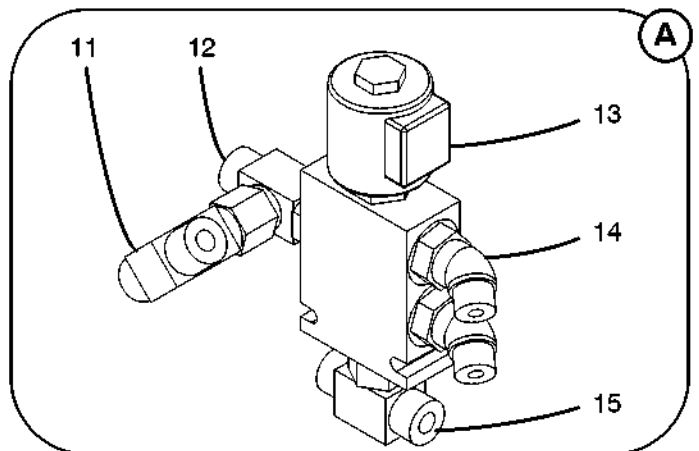
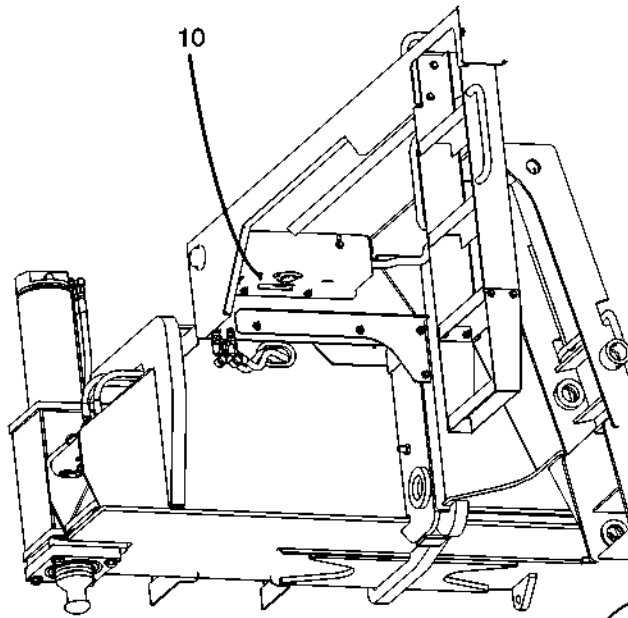
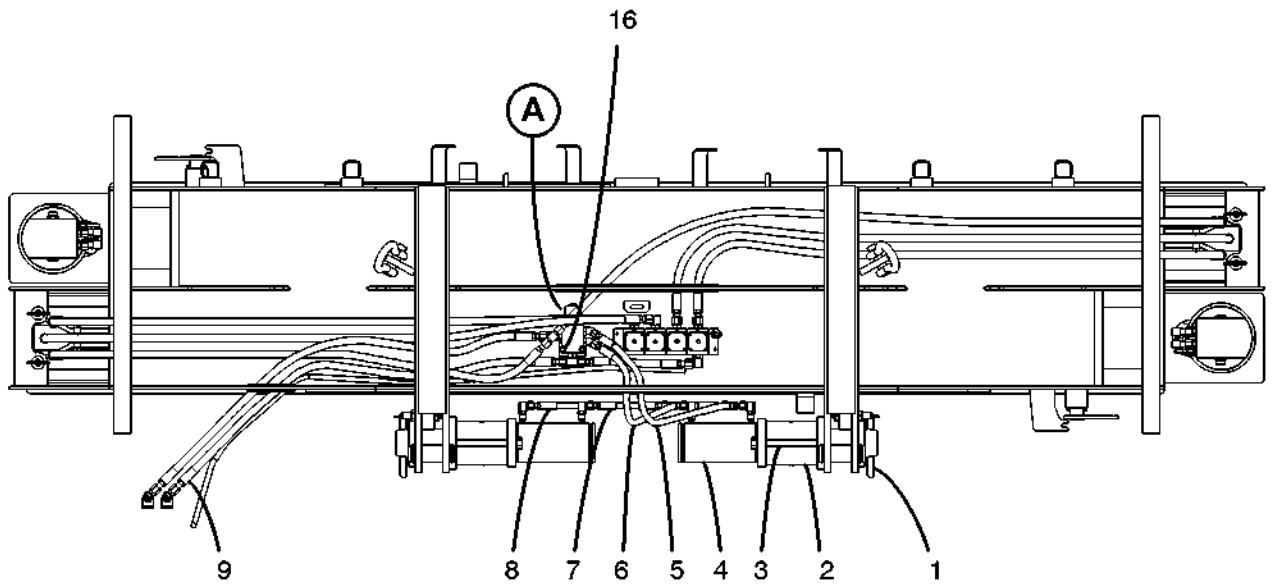


Parts List

0708

| Lower Main Hydraulics | | | | |
|-----------------------|-----------|-----|---|---------|
| REF | PART NO. | QTY | DESCRIPTION | REMARKS |
| | J7J0637 | 1 | Steer Mode Valve S/A | NSS |
| 57 | 1X 7405 | 1 | Elbow | |
| | 1X 7371 | 1 | Connector | |
| 58 | 1X 7388 | 1 | Elbow | |
| 59 | 1X 7388 | 1 | Elbow | |
| 60 | 65J0432 | 1 | Hose Assy | |
| | 1X 7388 | 1 | Elbow | |
| 61 | 1X 7405 | 1 | Elbow | |
| | 1X 7371 | 1 | Connector | |
| 62 | 1X 7388 | 1 | Elbow | |
| 63 | REF | 1 | 2 Section Steer Valve Assy – See Keysheet 01–043 | |
| | 128003004 | 2 | Washer – 1.00" OD | |
| | 128003006 | 2 | Washer – 1.25" OD | |
| | 127004003 | 2 | Locknut | |
| | J7J0926 | 1 | Outrigger Directional Valve S/A | NSS |
| 64 | D6J0079 | 1 | Hose Assy | |
| | 1X 7370 | 1 | Connector | |
| | 1X 7411 | 1 | Tee | |
| 65 | 1X 7407 | 1 | Elbow | |
| | 1X 7373 | 1 | Connector | |
| 66 | 1X 7405 | 1 | Elbow | |
| | 1X 7415 | 1 | Tee | |
| | 1X 7371 | 1 | Connector | |
| 67 | 1X 7405 | 1 | Elbow | |
| | 1X 7399 | 1 | Tee | |
| 68 | 1X 7385 | 1 | Elbow | |
| 69 | REF | 1 | 4 Way Directional Valve Assy – See Keysheet 01–043 | |
| | 128003004 | 2 | Washer – 1.00" OD | |
| | 128003006 | 2 | Washer – 1.25" OD | |
| | 127004003 | 2 | Locknut | |
| | R3J0152 | 1 | Rear Oscillation Valve S/A | NSS |
| 70 | 1X 7369 | 2 | Connector | |
| 71 | 1X 7463 | 1 | Connector | |
| 72 | 1X 7385 | 1 | Elbow | |
| 73 | 1X 7404 | 1 | Elbow | |
| | 1X 7369 | 1 | Connector | |
| 74 | 1X 7386 | 1 | Elbow | |
| 75 | 1X 7399 | 1 | Tee | |
| 76 | J7J0438 | 1 | Tube Assy | |
| 77 | 1X 7398 | 1 | Tee | |
| 78 | REF | 2 | Oscillation Lockout Manifold Assy – See Keysheet 01–078 | |
| | 126009006 | 2 | Capscrew | |
| | 128003001 | 2 | Washer | |
| | J7J0432 | 2 | Quick Disconnect S/A | NSS |
| 79 | 1X 7405 | 2 | Elbow | |
| | 1X 7456 | 2 | Connector | |
| 80 | 28A4062 | 2 | Body, Coupler | |
| 81 | 18A2063 | 2 | Plug, Dust | |
| 82 | 28A4061 | 1 | Bracket, Breakaway | |
| | 126009009 | 4 | Capscrew | |
| | 128003001 | 12 | Washer | |
| | 127004001 | 4 | Locknut | |

Hydraulic Outrigger Pin Removal

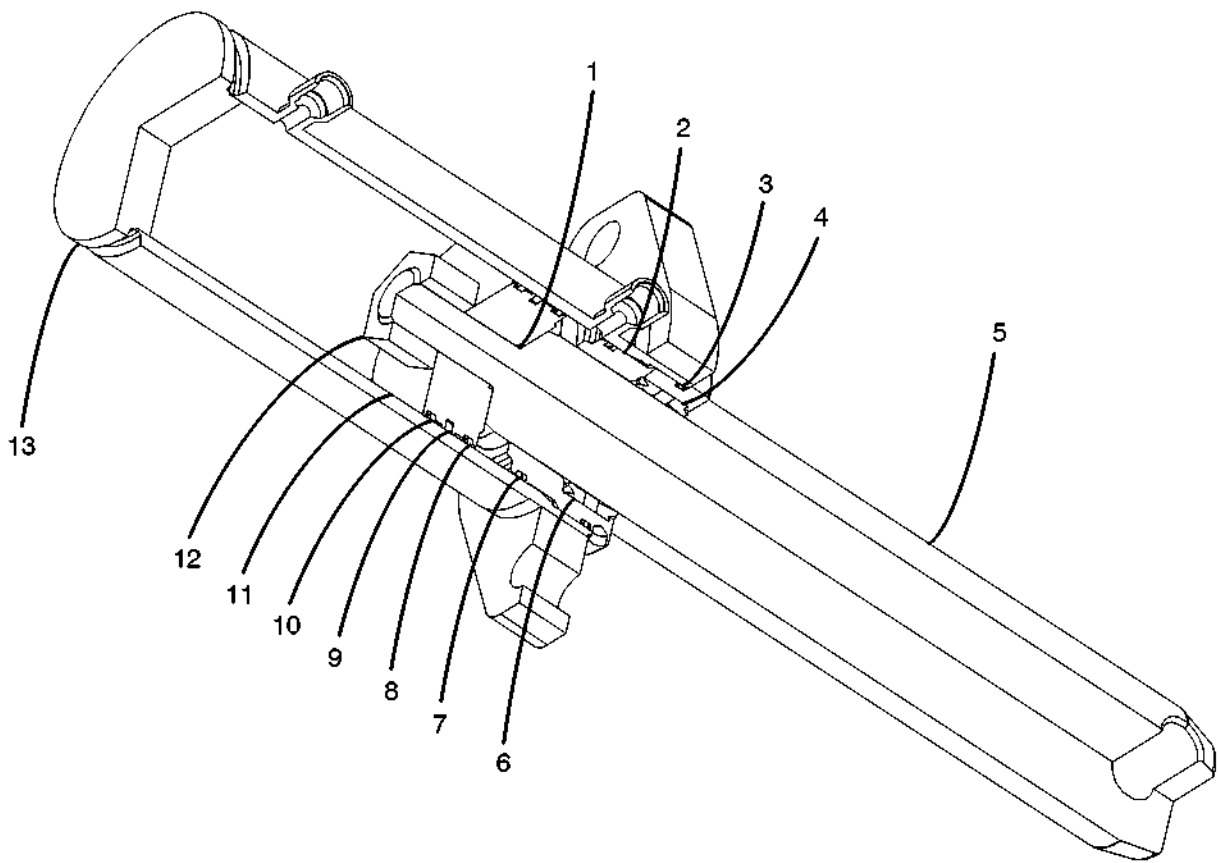


Parts List

0410

| Hydraulic Outrigger Pin Removal | | | | |
|---------------------------------|-----------|-----|--|---------|
| REF | PART NO. | QTY | DESCRIPTION | REMARKS |
| 1 | F8A1279 | 4 | Pin, Hitch | NSS |
| | 32M1529 | 4 | Pin, Hair | |
| 2 | J7A0617 | 4 | Tube | |
| 3 | 1X 4168 | 8 | Capscrew | |
| | 1X 5188 | 8 | Washer | |
| 4 | REF | 4 | Outrigger Pin Cylinder Assy – See Keysheet 1–82 | |
| 5 | 65J0517 | 2 | Hose Assy | |
| | 1X 7385 | 2 | Elbow | |
| | 1X 7414 | 2 | Tee | |
| 6 | 65J1114 | 2 | Hose Assy | |
| | 1X 7385 | 2 | Elbow | |
| | 1X 7414 | 2 | Tee | |
| 7 | 65J0444 | 2 | Hose Assy | |
| 8 | 65J0446 | 2 | Hose Assy | |
| | 1X 7385 | 4 | Elbow | |
| 9 | 25J0121 | 2 | Tie, Cable | |
| 10 | J7R0047 | 1 | Harness, Outrigger Pinning Wire | |
| | 18A2676 | 2 | Switch, | |
| | 38J0630 | 2 | Boot, Black | |
| | J7J0106 | 2 | Outrigger Pin Valve S/A | |
| 11 | 1X 7411 | 1 | Tee | |
| 12 | 1X 7399 | 1 | Tee | |
| 13 | J7J0243 | 1 | 4 Way Solenoid Valve Assy – See Keysheet 1–43–59.0 | |
| 14 | 1X 7552 | 2 | Elbow | |
| 15 | 1X 7395 | 1 | Tee | |
| 16 | 126009006 | 4 | Capscrew | |
| | 128003001 | 4 | Washer | |

Outrigger Pin Cylinder Assy

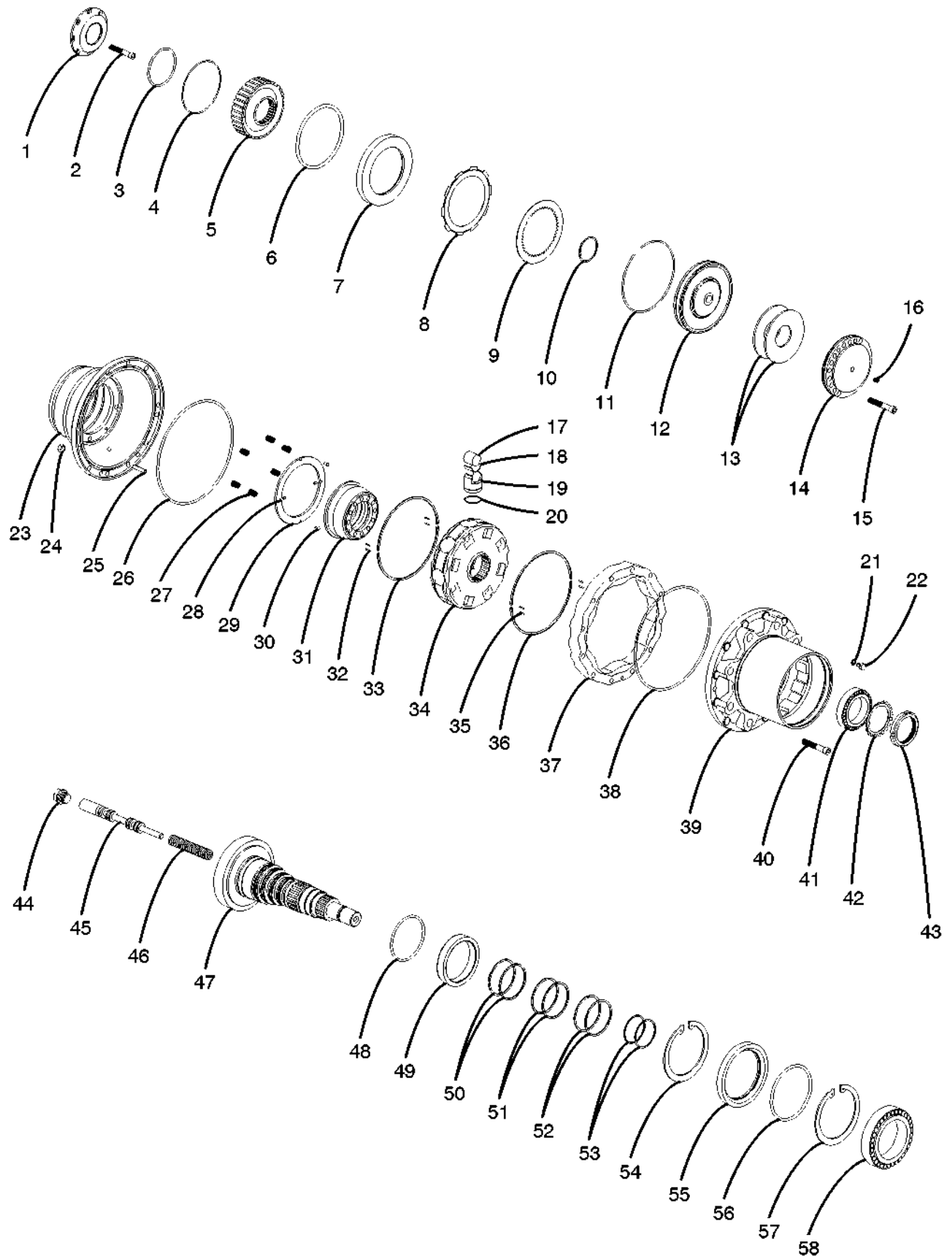


Parts List

1101

| Outrigger Pin Cylinder Assy | | | | |
|-----------------------------|----------|-----|---------------------------------|---------|
| REF | PART NO. | QTY | DESCRIPTION | REMARKS |
| | J7J0642 | 1 | Outrigger Pin Cylinder Assy | |
| 1 | 1X 7519 | 1 | O-ring | KA |
| 2 | J7J0647 | 1 | Gland | |
| 3 | 1X 8210 | 1 | O-ring | KA |
| 4 | J7J0661 | 1 | Wiper, Rod | KA |
| 5 | J7J0648 | 1 | Rod | |
| 6 | J7J0660 | 1 | Seal, Rod | KA |
| 7 | 46J0023 | 1 | O-ring | KA |
| | F7J0223 | 1 | Ring, Back Up | KA |
| 8 | J7J0324 | 1 | Ring, Wear | KA |
| 9 | F7J0267 | 1 | Seal, Piston | KA |
| | 1X 8029 | 1 | O-ring | KA |
| 10 | J7J0324 | 1 | Ring, Wear | KA |
| 11 | J7J0323 | 1 | Piston | |
| 12 | J6J0108 | 1 | Locknut | |
| 13 | J7J0643 | 1 | Body | |
| | 3J 16379 | 1 | Kit, Seal – All Items Marked KA | |

2 Speed Hydraulic Drive Motor Assy

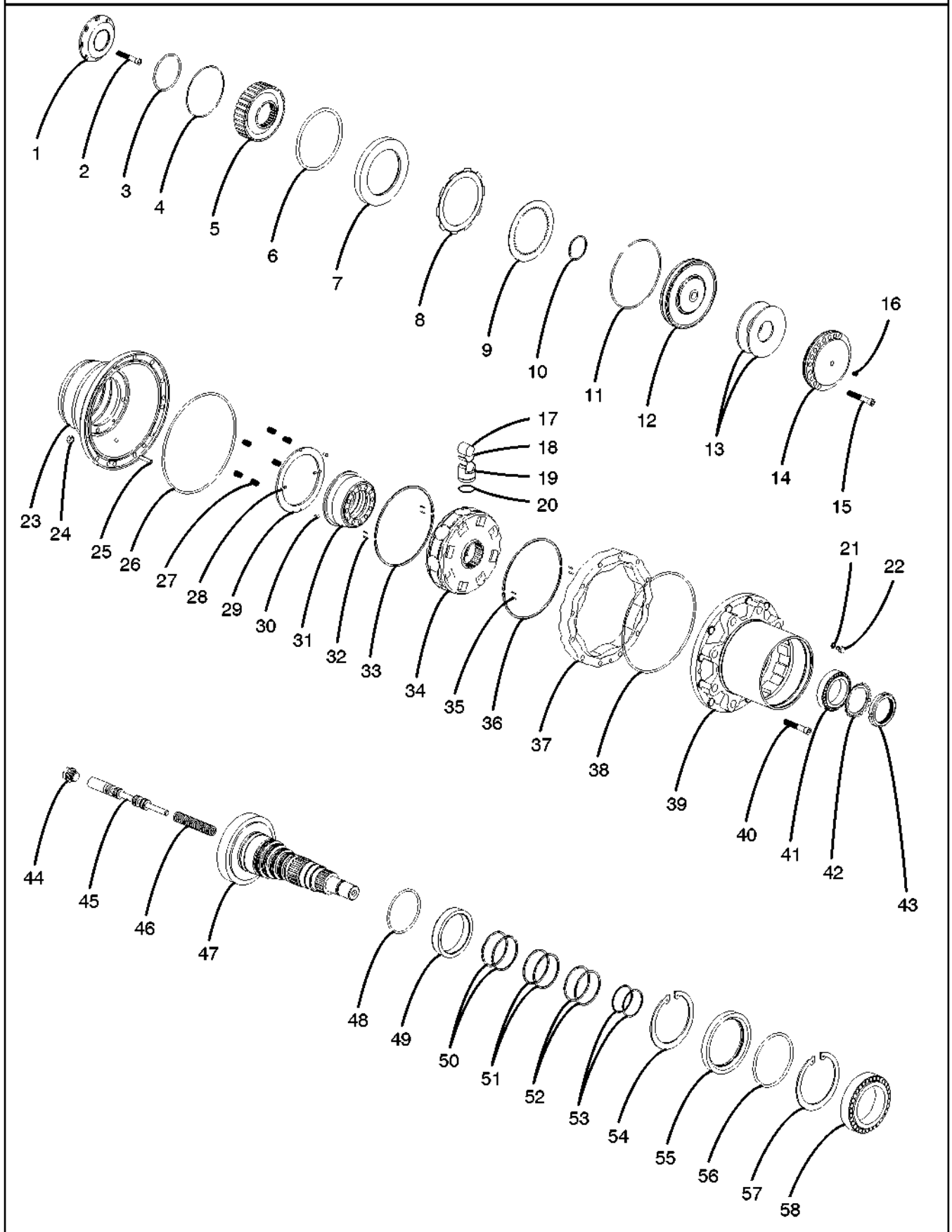


Parts List

0210

| 2 Speed Hydraulic Drive Motor Assy | | | | |
|------------------------------------|----------|-----|------------------------------------|---------|
| REF | PART NO. | QTY | DESCRIPTION | REMARKS |
| | J7J0894 | 1 | 2 Speed Hydraulic Drive Motor Assy | |
| 1 | 3J 16033 | 1 | Cover | |
| 2 | 3J 16034 | 12 | Screw | |
| 3 | 3J 16036 | 1 | Ring, Support | |
| 4 | 3J 16035 | 1 | O-ring | KA |
| 5 | 3J 16037 | 1 | Ring, Spline | |
| 6 | 3J 16045 | 2 | Ring | |
| 7 | 3J 16047 | 1 | Ring | |
| 8 | 3J 16041 | 12 | Disc, Brake - Inner | |
| 9 | 3J 16042 | 13 | Disc, Brake - Outer | |
| 10 | 3J 16046 | 1 | Ring, Retaining | |
| 11 | 3J 17402 | 2 | O-ring | KA |
| 12 | 3J 16038 | 1 | Piston, Ring | |
| 13 | 3J 16043 | 2 | Spring, Cup | |
| 14 | 3J 16039 | 1 | Cover | |
| 15 | 3J 16040 | 20 | Screw | |
| 16 | 3J 16048 | 1 | Plug | |
| 17 | 3J 15850 | 12 | Roller | KB |
| 18 | 3J 17119 | 12 | Bearing, Slide | KB |
| 19 | 3J 15847 | 12 | Piston | KB |
| 20 | 3J 15849 | 12 | Ring, Piston | KB |
| 21 | 3J 15871 | 2 | Washer | KA |
| 22 | 3J 15870 | 2 | Screw, Bleeder | |
| 23 | 3J 15861 | 1 | Cover, Rear | |
| 24 | 3J 15868 | 24 | Nut | |
| 25 | 3J 15869 | 1 | Pin | |
| 26 | 3J 15880 | 1 | O-ring | KA |
| 27 | 3J 15860 | 8 | Spring | |
| 28 | 3J 15859 | 2 | Pin, Guide | |
| 29 | 3J 15857 | 1 | Ring, Coupling | |
| 30 | 3J 15858 | 2 | Pin | |

2 Speed Hydraulic Drive Motor Assy

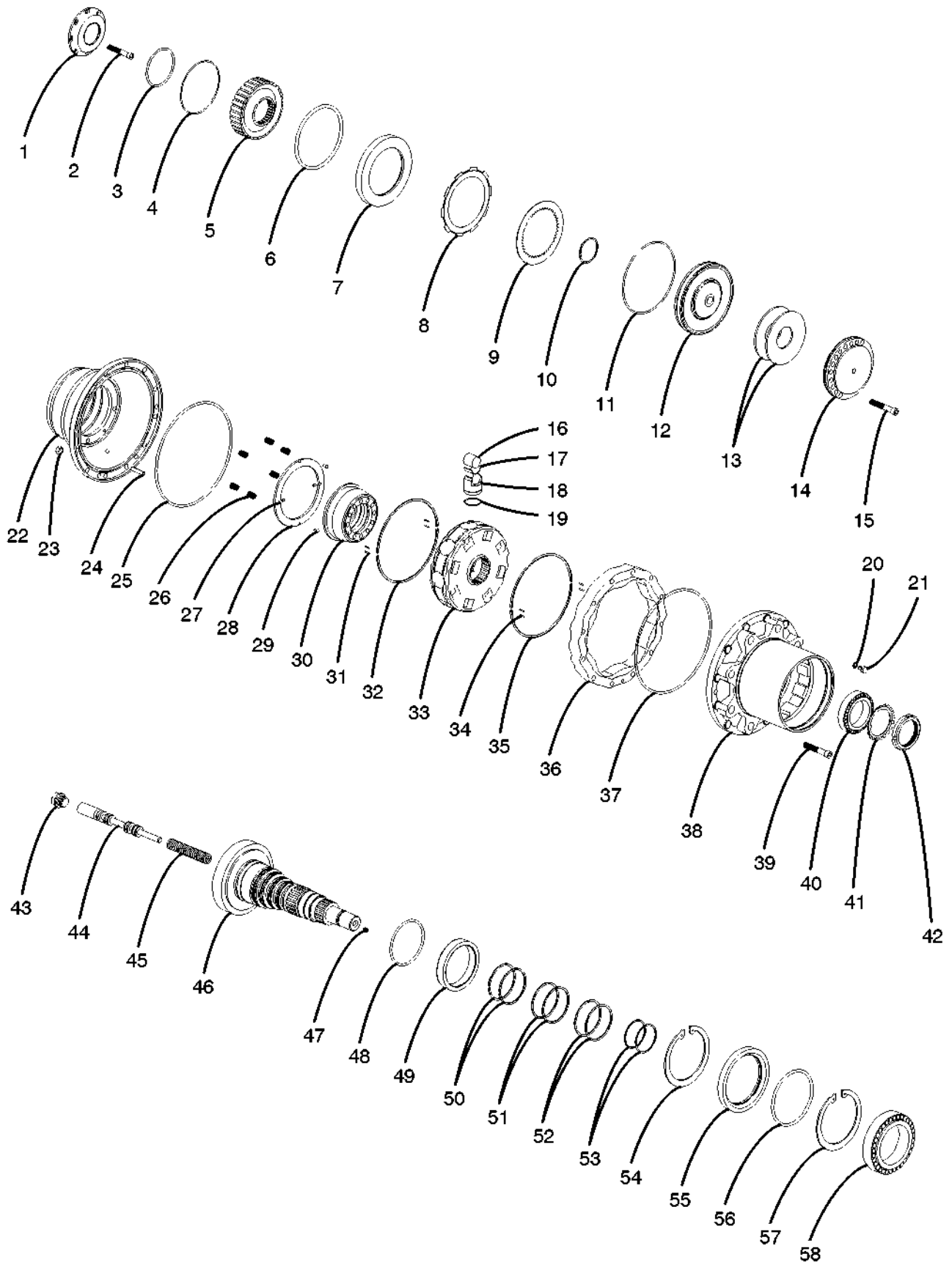


Parts List

0210

| 2 Speed Hydraulic Drive Motor Assy | | | | |
|------------------------------------|----------|-----|---|---------|
| REF | PART NO. | QTY | DESCRIPTION | REMARKS |
| 31 | 3J 17401 | 1 | Distributor | |
| 32 | 3J 15852 | 4 | Pin | KB |
| 33 | 3J 17400 | 1 | Ring, Guide | KB |
| 34 | 3J 15846 | 1 | Block, Cylinder | KB |
| 35 | 3J 15852 | 4 | Pin | KB |
| 36 | 3J 17400 | 1 | Ring, Guide | KB |
| 37 | 3J 17403 | 1 | Ring, Cam – 4000 ccm | |
| | 3J 17404 | 1 | Ring, Cam – 5000 ccm | |
| | 3J 15879 | 1 | Ring, Cam – 6300 ccm | |
| 38 | 3J 15880 | 1 | O–ring | KA |
| 39 | 3J 16032 | 1 | Cover, Hub | |
| 40 | 3J 15867 | 24 | Screw | |
| 41 | 3J 15873 | 1 | Bearing | |
| 42 | 3J 15875 | 1 | Lockwasher | |
| 43 | 3J 15874 | 1 | Nut, Shaft | |
| 44 | 3J 16028 | 1 | Plug | |
| 45 | 3J 16026 | 1 | Spool | |
| 46 | 3J 16027 | 1 | Spring | |
| 47 | 3J 16025 | 1 | Shaft | |
| 48 | 3J 15845 | 1 | O–ring | KA |
| 49 | 3J 15844 | 1 | Bushing | |
| 50 | 3J 15854 | 2 | Ring, Sealing | |
| 51 | 3J 15855 | 2 | Ring, Sealing | |
| 52 | 3J 16030 | 2 | Ring, Sealing | |
| 53 | 3J 15856 | 2 | Ring, Sealing | |
| 54 | 3J 15866 | 1 | Ring, Retaining | |
| 55 | 3J 15863 | 1 | Seal, Shaft | KA |
| 56 | 3J 15864 | 1 | Ring, Support | |
| 57 | 3J 15865 | 1 | Ring, Retaining | |
| 58 | 3J 15862 | 1 | Bearing | |
| | 3J 17318 | 1 | Kit, Seal – All Items Marked KA | |
| | 3J 17139 | 1 | Kit, Cylinder Block – All Items Marked KB | |

2 Speed Hydraulic Drive Motor Assy

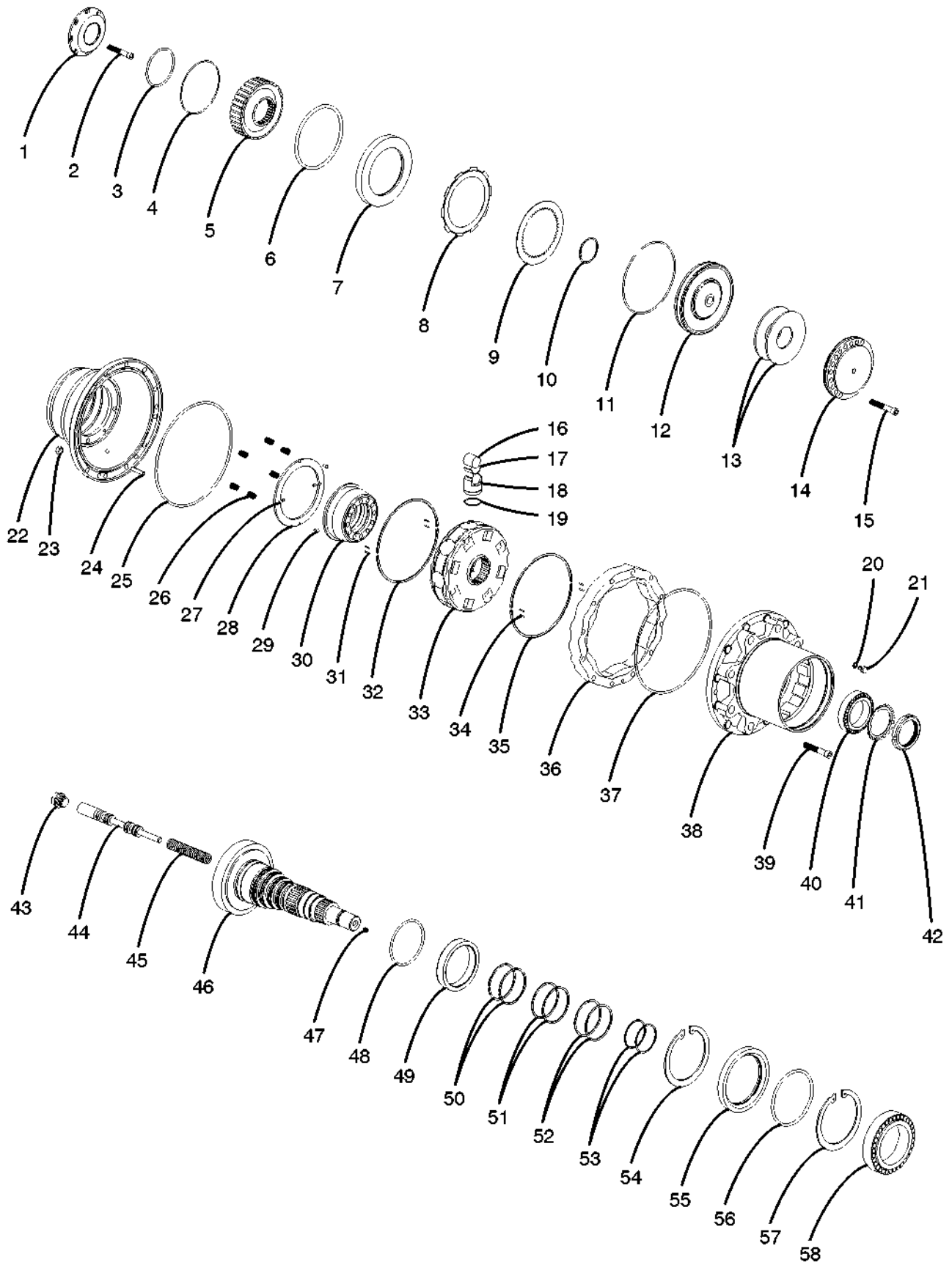


Parts List

0105

| 2 Speed Hydraulic Drive Motor Assy | | | | |
|------------------------------------|----------|-----|------------------------------------|---------|
| REF | PART NO. | QTY | DESCRIPTION | REMARKS |
| | J7J0895 | 1 | 2 Speed Hydraulic Drive Motor Assy | |
| 1 | 3J 16033 | 1 | Cover | |
| 2 | 3J 16034 | 12 | Screw | |
| 3 | 3J 16036 | 1 | Ring, Support | |
| 4 | 3J 16035 | 1 | O-ring | KA |
| 5 | 3J 16037 | 1 | Ring, Spline | |
| 6 | 3J 16045 | 2 | Ring | |
| 7 | 3J 16047 | 1 | Ring | |
| 8 | 3J 16041 | 12 | Disc, Brake – Inner | |
| 9 | 3J 16042 | 13 | Disc, Brake – Outer | |
| 10 | 3J 16046 | 1 | Ring, Retaining | |
| 11 | 3J 17402 | 2 | O-ring | KA |
| 12 | 3J 16038 | 1 | Piston, Ring | |
| 13 | 3J 16043 | 2 | Spring, Cup | |
| 14 | 3J 16039 | 1 | Cover | |
| 15 | 3J 16040 | 20 | Screw | |
| 16 | 3J 15850 | 12 | Roller | KB |
| 17 | 3J 17119 | 12 | Bearing, Slide | KB |
| 18 | 3J 15847 | 12 | Piston | KB |
| 19 | 3J 15849 | 12 | Ring, Piston | KB |
| 20 | 3J 15871 | 2 | Washer | KA |
| 21 | 3J 15870 | 2 | Screw, Bleeder | |
| 22 | 3J 15861 | 1 | Cover, Rear | |
| 23 | 3J 15868 | 24 | Nut | |
| 24 | 3J 15869 | 1 | Pin | |
| 25 | 3J 15880 | 1 | O-ring | KA |
| 26 | 3J 15860 | 8 | Spring | |
| 27 | 3J 15859 | 2 | Pin, Guide | |
| 28 | 3J 15857 | 1 | Ring, Coupling | |
| 29 | 3J 15858 | 2 | Pin | |

2 Speed Hydraulic Drive Motor Assy

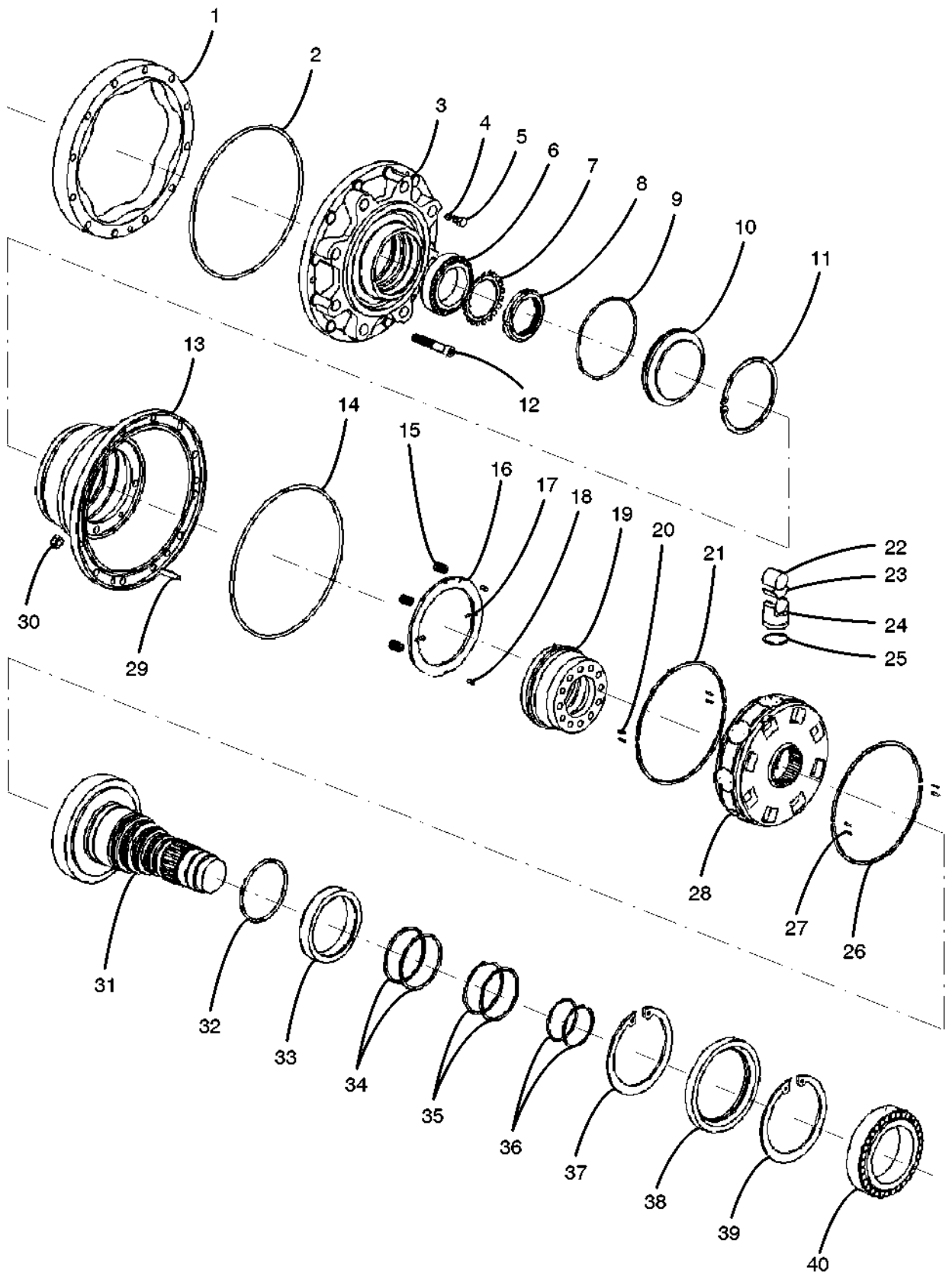


Parts List

0105

| 2 Speed Hydraulic Drive Motor Assy | | | | |
|------------------------------------|----------|-----|---|---------|
| REF | PART NO. | QTY | DESCRIPTION | REMARKS |
| 30 | 3J 17401 | 1 | Distributor | |
| 31 | 3J 15852 | 4 | Pin | KB |
| 32 | 3J 17400 | 1 | Ring, Guide | KB |
| 33 | 3J 15846 | 1 | Block, Cylinder | KB |
| 34 | 3J 15852 | 4 | Pin | KB |
| 35 | 3J 17400 | 1 | Ring, Guide | KB |
| 36 | 3J 17403 | 1 | Ring, Cam – 4000 ccm | |
| | 3J 17404 | 1 | Ring, Cam – 5000 ccm | |
| | 3J 15879 | 1 | Ring, Cam – 6300 ccm | |
| 37 | 3J 15880 | 1 | O-ring | KA |
| 38 | 3J 16032 | 1 | Cover, Hub | |
| 39 | 3J 15867 | 24 | Screw | |
| 40 | 3J 15873 | 1 | Bearing | |
| 41 | 3J 15875 | 1 | Lockwasher | |
| 42 | 3J 15874 | 1 | Nut, Shaft | |
| 43 | 3J 16028 | 1 | Plug | |
| 44 | 3J 16026 | 1 | Spool | |
| 45 | 3J 16027 | 1 | Spring | |
| 46 | 3J 16025 | 1 | Shaft | |
| 47 | 3J 16048 | 1 | Plug | |
| 48 | 3J 15845 | 1 | O-ring | KA |
| 49 | 3J 15844 | 1 | Bushing | |
| 50 | 3J 15854 | 2 | Ring, Sealing | |
| 51 | 3J 15855 | 2 | Ring, Sealing | |
| 52 | 3J 16030 | 2 | Ring, Sealing | |
| 53 | 3J 15856 | 2 | Ring, Sealing | |
| 54 | 3J 15866 | 1 | Ring, Retaining | |
| 55 | 3J 15863 | 1 | Seal, Shaft | KA |
| 56 | 3J 15864 | 1 | Ring, Support | |
| 57 | 3J 15865 | 1 | Ring, Retaining | |
| 58 | 3J 15862 | 1 | Bearing | |
| | 3J 17318 | 1 | Kit, Seal – All Items Marked KA | |
| | 3J 17139 | 1 | Kit, Cylinder Block – All Items Marked KB | |

1 Speed Hydraulic Drive Motor Assy

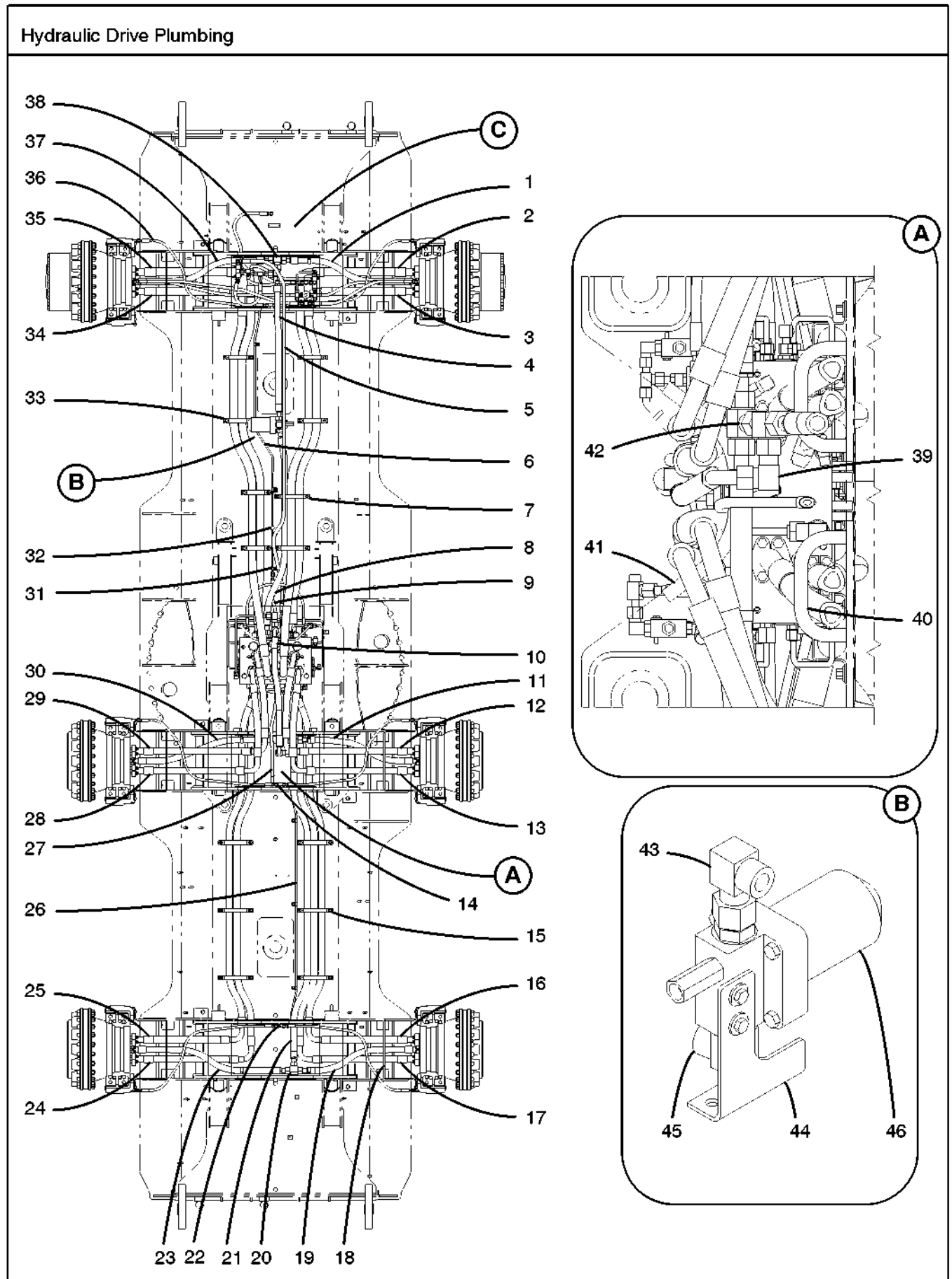


Parts List

1103

| 1 Speed Hydraulic Drive Motor Assy | | | | |
|------------------------------------|----------|-----|------------------------------------|---------|
| REF | PART NO. | QTY | DESCRIPTION | REMARKS |
| | J7J0896 | 1 | 1 Speed Hydraulic Drive Motor Assy | |
| 1 | 3J 15879 | 1 | Ring, Cam | |
| 2 | 3J 15880 | 1 | O-ring | KA |
| 3 | 3J 15872 | 1 | Cover, Hub | |
| 4 | 3J 15871 | 2 | Washer | KA |
| 5 | 3J 15870 | 2 | Screw, Bleeding | |
| 6 | 3J 15873 | 1 | Bearing | |
| 7 | 3J 15875 | 1 | Lockwasher | |
| 8 | 3J 15874 | 1 | Nut, Shaft | |
| 9 | 3J 15878 | 1 | O-ring | KA |
| 10 | 3J 15876 | 1 | Cover | |
| 11 | 3J 15877 | 1 | Ring, Retaining | |
| 12 | 3J 15867 | 24 | Screw | |
| 13 | 3J 15861 | 1 | Cover, Rear | |
| 14 | 3J 15880 | 1 | O-ring | KA |
| 15 | 3J 15860 | 8 | Spring | |
| 16 | 3J 15857 | 1 | Ring, Coupling | |
| 17 | 3J 15859 | 2 | Pin, Guide | |
| 18 | 3J 15858 | 2 | Pin | |
| 19 | 3J 15853 | 1 | Distributor | |
| | 3J 17139 | 1 | Cylinder Block Assy | |
| 20 | 3J 15852 | 4 | Pin | |
| 21 | 3J 15851 | 1 | Ring, Guide | |
| 22 | 3J 15850 | 12 | Roller | |
| 23 | 3J 17119 | 12 | Insert, Piston | |
| 24 | 3J 15847 | 12 | Piston | |
| 25 | 3J 15849 | 12 | Ring, Piston | |
| 26 | 3J 15851 | 1 | Ring, Guide | |
| 27 | 3J 15852 | 4 | Pin | |
| 28 | 3J 15846 | 1 | Block, Cylinder | |
| 29 | 3J 15869 | 1 | Pin | |
| 30 | 3J 15868 | 24 | Nut | |
| 31 | 3J 15843 | 1 | Shaft | |
| 32 | 3J 15845 | 1 | O-ring | KA |
| 33 | 3J 15844 | 1 | Bushing | |
| 34 | 3J 15854 | 2 | Ring, Sealing | |
| 35 | 3J 15855 | 2 | Ring, Sealing | |
| 36 | 3J 15856 | 2 | Ring, Sealing | |
| 37 | 3J 15865 | 1 | Ring, Retaining | |
| 38 | 3J 15863 | 1 | Seal, Shaft | KA |
| | 3J 15864 | 1 | Ring, Support | |
| 39 | 3J 15866 | 1 | Ring, Retaining | |
| 40 | 3J 15862 | 1 | Bearing | |
| | 3J 15883 | 1 | Kit, Seal – All Items Marked KA | |

Hydraulic Drive Plumbing



Parts List

0310

| Hydraulic Drive Plumbing | | | | |
|--------------------------|-----------|---------|---------------|-----------|
| REF | PART NO. | QTY | DESCRIPTION | REMARKS |
| 1 | J7J0713 | 1 | Hose Assy | |
| | 16J0201 | 2 | Flange, Split | |
| | 20J0990 | 1 | O-ring | |
| | 126007013 | 4 | Capscrew | |
| | 1X 5687 | 1 | Clamp | |
| | 127004003 | 1 | Locknut | |
| | 2 | J7J0608 | 1 | Hose Assy |
| KTJ0029 | | 2 | Flange, Split | |
| 20J0771 | | 1 | O-ring | |
| 3 | 126007037 | 4 | Capscrew | |
| | J7J0607 | 1 | Hose Assy | |
| | KTJ0029 | 2 | Flange, Split | |
| | 20J0771 | 1 | O-ring | |
| 4 | 126007037 | 4 | Capscrew | |
| | J7J0911 | 1 | Hose Assy | |
| | J7J0517 | 1 | Hose Assy | |
| | J7J0962 | 1 | Tube Assy | |
| 7 | J7J0709 | 2 | Bar | |
| | 128003004 | 4 | Washer | |
| | 127004003 | 4 | Locknut | |
| 8 | J7J0912 | 1 | Hose Assy | |
| 9 | 65J0445 | 1 | Hose Assy | |
| 10 | J7J0714 | 1 | Hose Assy | |
| 11 | J7J0618 | 1 | Hose Assy | |
| | 16J0201 | 2 | Flange, Split | |
| | 20J0990 | 1 | O-ring | |
| | 126007013 | 4 | Capscrew | |
| | 1X 5687 | 1 | Clamp | |
| | 127004003 | 1 | Locknut | |
| 12 | J7J0615 | 1 | Hose Assy | |
| | KTJ0029 | 2 | Flange, Split | |
| | 20J0771 | 1 | O-ring | |
| | 126007037 | 4 | Capscrew | |
| 13 | J7J0616 | 1 | Hose Assy | |
| | KTJ0029 | 2 | Flange, Split | |
| | 20J0771 | 1 | O-ring | |
| | 126007037 | 4 | Capscrew | |
| 14 | 1X 7410 | 1 | Tee | |
| 15 | J7J0709 | 6 | Bar | |
| | 128003004 | 12 | Washer | |
| | 127004003 | 12 | Locknut | |
| 16 | J7J0609 | 1 | Hose Assy | |
| | KTJ0029 | 2 | Flange, Split | |
| | 20J0771 | 1 | O-ring | |
| | 126007037 | 4 | Capscrew | |
| 17 | J7J0657 | 1 | Hose Assy | |
| | KTJ0029 | 2 | Flange, Split | |
| | 20J0771 | 1 | O-ring | |
| | 126007037 | 4 | Capscrew | |
| 18 | J7J0513 | 6 | Tube Assy | |

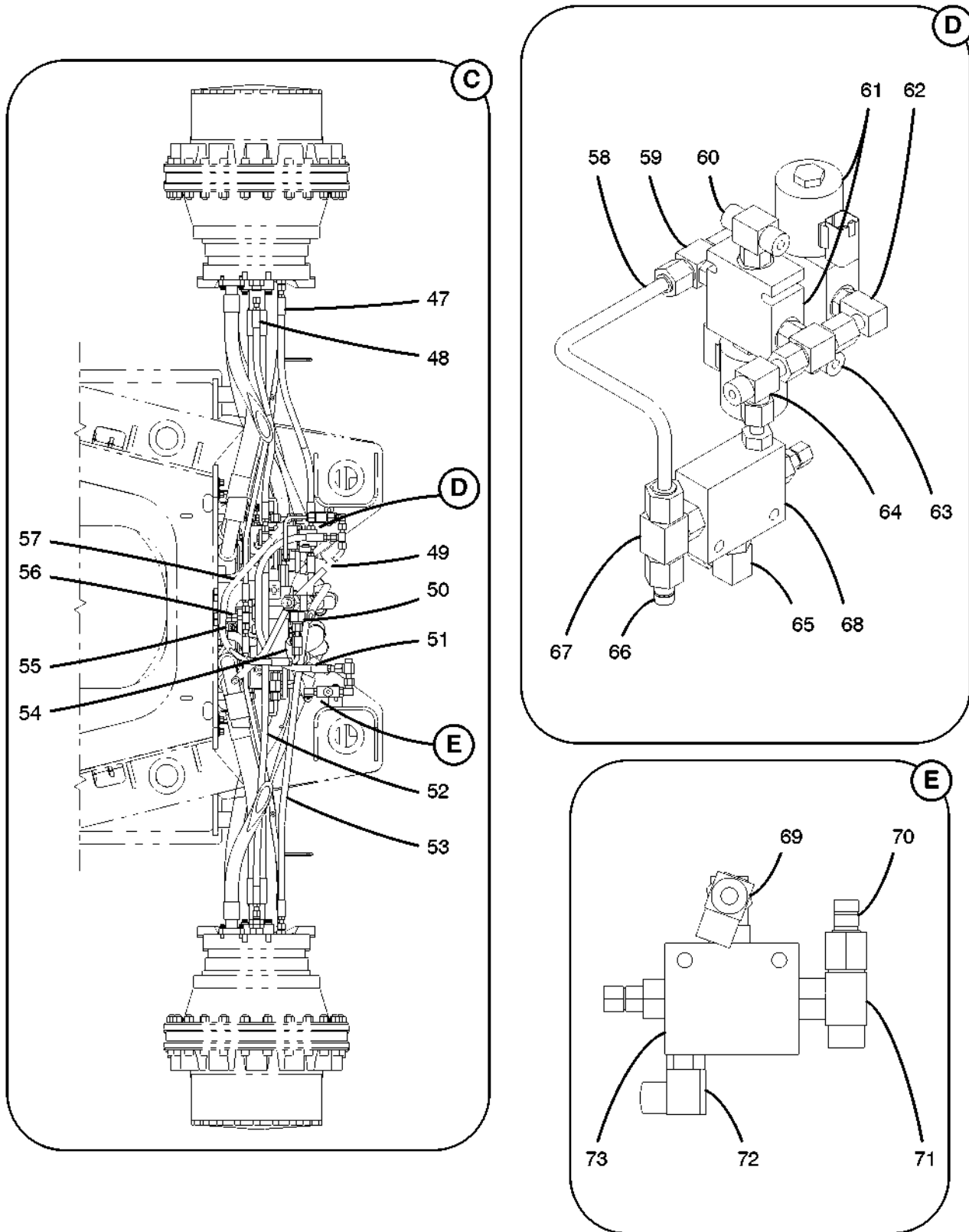
Parts List

0310

01-091-016.00

| Hydraulic Drive Plumbing | | | | |
|--------------------------|-----------|---------|------------------|-----------|
| REF | PART NO. | QTY | DESCRIPTION | REMARKS |
| 19 | J7J0618 | 1 | Hose Assy | |
| | 16J0201 | 2 | Flange, Split | |
| | 20J0990 | 1 | O-ring | |
| | 126007013 | 4 | Capscrew | |
| | 1X 5687 | 1 | Clamp | |
| | 127004003 | 1 | Locknut | |
| | 20 | 1X 7842 | 1 | Tee |
| J7J0619 | | 1 | Hose Assy | |
| 21 | J7J0619 | 1 | Hose Assy | |
| 22 | 1X 7410 | 1 | Tee | |
| 23 | J7J0617 | 1 | Hose Assy | |
| | 16J0201 | 2 | Flange, Split | |
| | 20J0990 | 1 | O-ring | |
| | 126007013 | 4 | Capscrew | |
| | 1X 5687 | 1 | Clamp | |
| | 127004003 | 1 | Locknut | |
| | 24 | J7J0657 | 1 | Hose Assy |
| KTJ0029 | | 2 | Flange, Split | |
| 20J0771 | | 1 | O-ring | |
| 126007037 | | 4 | Capscrew | |
| 25 | J7J0613 | 1 | Hose Assy | |
| | KTJ0029 | 2 | Flange, Split | |
| | 20J0771 | 1 | O-ring | |
| | 126007037 | 4 | Capscrew | |
| 26 | J7J0621 | 1 | Tube Assy | |
| | 39J0218 | 3 | Clamp | |
| | 127004003 | 3 | Locknut | |
| 27 | D3J0112 | 1 | Hose Assy | |
| 28 | J7J0614 | 1 | Hose Assy | |
| | KTJ0029 | 2 | Flange, Split | |
| | 20J0771 | 1 | O-ring | |
| | 126007037 | 4 | Capscrew | |
| 29 | J7J0611 | 1 | Hose Assy | |
| | KTJ0029 | 2 | Flange, Split | |
| | 20J0771 | 1 | O-ring | |
| | 126007037 | 4 | Capscrew | |
| 30 | J7J0617 | 1 | Hose Assy | |
| | 16J0201 | 2 | Flange, Split | |
| | 20J0990 | 1 | O-ring | |
| | 126007013 | 4 | Capscrew | |
| | 1X 5687 | 1 | Clamp | |
| | 127004003 | 1 | Locknut | |
| 31 | 39J0218 | 4 | Clamp | |
| | 127004003 | 4 | Locknut | |
| 32 | D3R0116 | 1 | Switch, Pressure | |
| | 1X 2230 | 1 | Bushing, Pipe | |
| 33 | J7J0711 | 6 | Bar | |
| | 128003004 | 12 | Washer | |
| | 127004003 | 12 | Locknut | |
| 34 | J7J0612 | 1 | Hose Assy | |
| | KTJ0029 | 2 | Flange, Split | |
| | 20J0771 | 1 | O-ring | |
| | 126007037 | 4 | Capscrew | |

Hydraulic Drive Plumbing



Parts List

0310

01-091-016.00

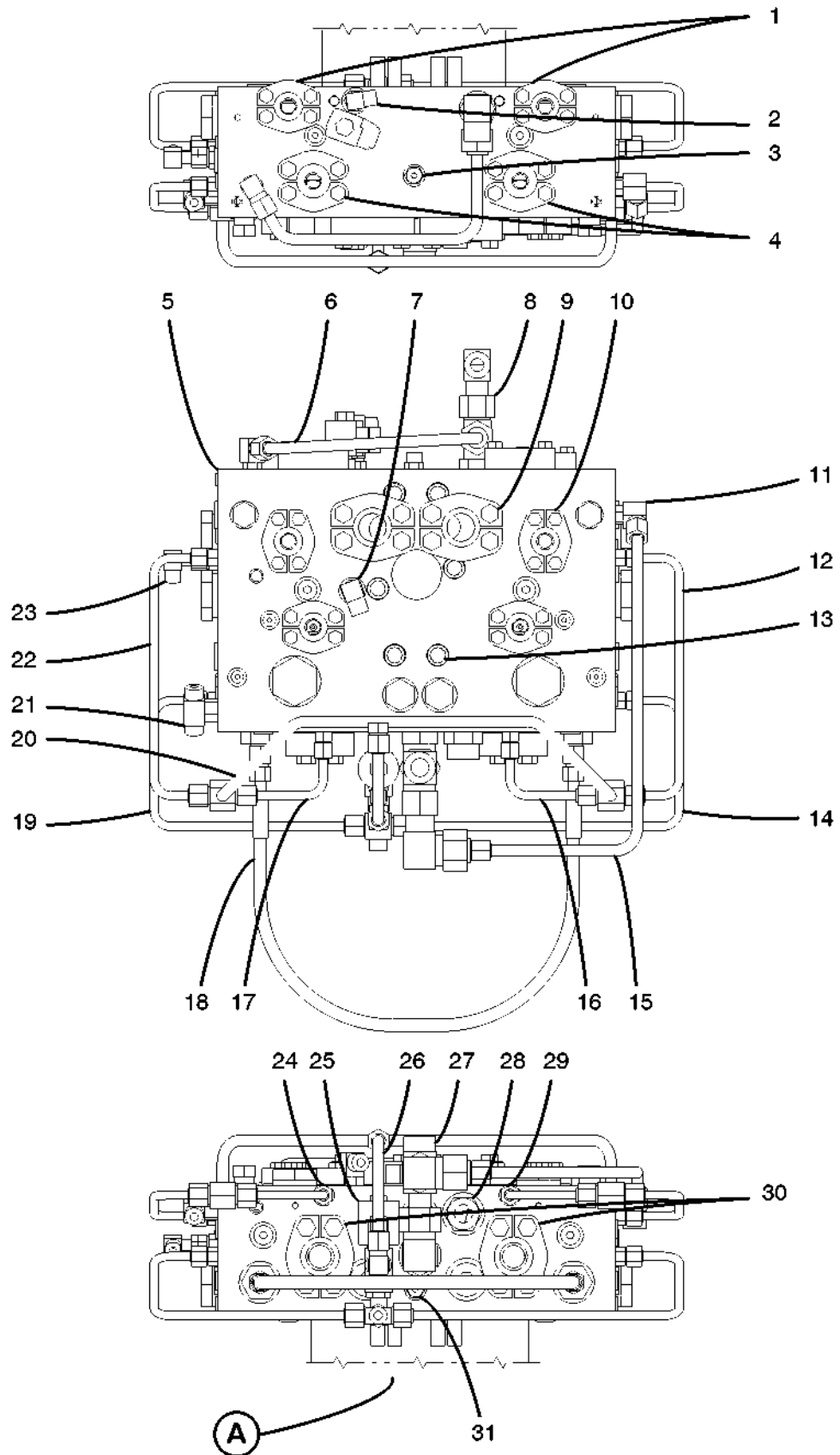
| Hydraulic Drive Plumbing | | | | |
|--------------------------|-----------|-----|--------------------------------|---------|
| REF | PART NO. | QTY | DESCRIPTION | REMARKS |
| 35 | J7J0656 | 1 | Hose Assy | NSS |
| | KTJ0029 | 2 | Flange, Split | |
| | 20J0771 | 1 | O-ring | |
| | 126007037 | 4 | Capscrew | |
| 36 | J7J0664 | 6 | Hose Assy | |
| 37 | J7J0713 | 1 | Hose Assy | |
| | 16J0201 | 2 | Flange, Split | |
| | 20J0990 | 1 | O-ring | |
| | 126007013 | 4 | Capscrew | |
| | 1X 5687 | 1 | Clamp | |
| | 127004003 | 1 | Locknut | |
| 38 | 1X 7482 | 1 | Tee, Swivel | |
| | 1X 7842 | 1 | Tee | |
| 39 | 1X 7408 | 1 | Elbow | |
| | 1X 7842 | 1 | Tee | |
| 40 | 824025010 | 12 | Trim - 1.48' | |
| 41 | 824025010 | 1 | Trim - 1.25' | |
| 42 | 1X 7482 | 1 | Tee | |
| | J7J0909 | 1 | Case Drain Filter S/A | |
| 43 | 1X 7408 | 1 | Elbow | |
| | 1X 7377 | 1 | Connector | |
| 44 | J7J0910 | 1 | Bracket | |
| | 126009119 | 2 | Capscrew | |
| | 128003004 | 2 | Washer | |
| 45 | 1X 7392 | 1 | Elbow | |
| 46 | J7J0908 | 1 | Filter | |
| | 128003004 | 2 | Washer | |
| | 127004003 | 2 | Locknut | |
| 47 | 65J0447 | 1 | Hose Assy | |
| 48 | 65J0447 | 1 | Hose Assy | |
| 49 | J7J0665 | 1 | Hose Assy | |
| 50 | 1X 7415 | 1 | Tee | |
| | 1X 7492 | 1 | Reducer | |
| | 1X 7365 | 1 | Nut, Tube | |
| 51 | J7J0740 | 1 | Hose Assy | |
| 52 | D6J0517 | 1 | Hose Assy | |
| 53 | D6J0517 | 1 | Hose Assy | |
| 54 | J7J0690 | 1 | Hose Assy | |
| 55 | 39J0218 | 3 | Clamp | |
| | 127004003 | 3 | Locknut | |
| 56 | 1X 7410 | 1 | Tee | |
| 57 | J7J0712 | 1 | Hose Assy | |
| | R3J0275 | 1 | Park Brake & 2 Speed Valve S/A | |
| 58 | J7J0606 | 1 | Tube Assy | |
| 59 | 1X 7394 | 1 | Tee | |
| | 1X 7559 | 1 | Elbow | |
| 60 | 1X 7394 | 1 | Tee | |
| 61 | N4J0152 | 2 | Valve, 3 Way Solenoid | |
| | 3J 12931 | 1 | Kit, Seal | |
| | 3J 12929 | 1 | Cartridge | |

Parts List

0310

| Hydraulic Drive Plumbing | | | | |
|--------------------------|-----------|-----|--|---------|
| REF | PART NO. | QTY | DESCRIPTION | REMARKS |
| 62 | 1X 7559 | 1 | Elbow | NSS |
| | 1X 7394 | 1 | Tee | |
| 63 | 1X 7394 | 1 | Tee | |
| 64 | 1X 7414 | 1 | Tee | |
| | 1X 7462 | 1 | Connector | |
| 65 | 1X 7386 | 1 | Elbow | |
| | 1X 7414 | 1 | Tee | |
| 66 | 65J0530 | 1 | Disconnect, Quick | |
| 67 | 1X 7395 | 1 | Tee | |
| 68 | REF | 1 | Pressure Reducing Valve Assy – See Keysheet 01-047 | |
| | 126009006 | 3 | Capscrew | |
| | 128003001 | 3 | Washer | |
| | J7J0928 | 1 | Charge Reducing Valve S/A | |
| 69 | 1X 7388 | 1 | Elbow | |
| | 1X 7415 | 1 | Tee | |
| 70 | 65J0530 | 1 | Disconnect, Quick | |
| 71 | 1X 7395 | 1 | Tee | |
| 72 | 1X 7385 | 1 | Elbow | |
| 73 | REF | 1 | Pressure Reducing Valve Assy – See Keysheet 01-047 | |
| | 126009006 | 2 | Capscrew | |
| | 128003001 | 2 | Washer | |

Wheel Drive Manifold Installation

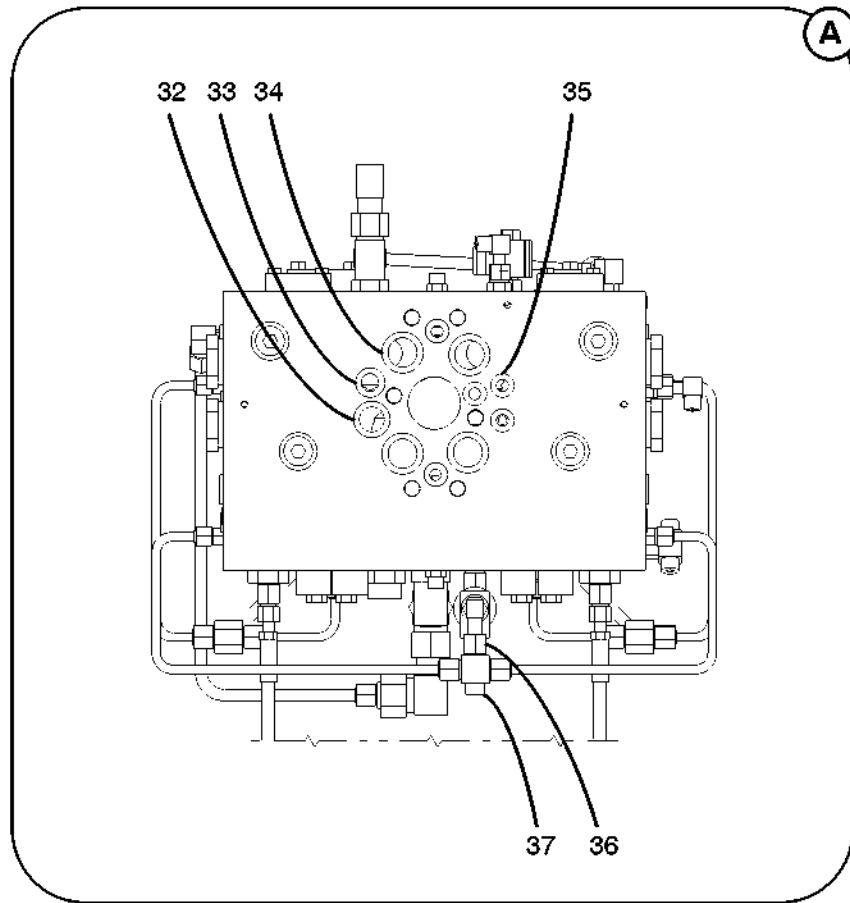


Parts List

0708

| Wheel Drive Manifold Installation | | | | |
|-----------------------------------|-----------|-----|---|---------|
| REF | PART NO. | QTY | DESCRIPTION | REMARKS |
| 1 | 1X 5955 | 4 | Flange, Split | |
| | 1X 5740 | 2 | O-ring | |
| | 126009100 | 8 | Capscrew | |
| 2 | 1X 7404 | 1 | Elbow | |
| | 1X 7371 | 1 | Connector | |
| 3 | 1X 7368 | 1 | Connector | |
| 4 | 26D0067 | 4 | Flange, Split | |
| | 20J0990 | 2 | O-ring | |
| | 126009103 | 8 | Capscrew | |
| 5 | REF | 1 | Manifold Block Assy – See Keysheet 01-091 | |
| 6 | J7J0899 | 1 | Tube Assy | |
| | 1X 7387 | 1 | Elbow | |
| | J7J0955 | 1 | Disc, Orifice | |
| 7 | 1X 7388 | 1 | Elbow | |
| 8 | 1X 7407 | 1 | Elbow | |
| | 1X 7400 | 1 | Tee | |
| 9 | 31J0237 | 4 | Flange, Split | |
| | 20J0771 | 2 | O-ring | |
| | 126009030 | 8 | Capscrew | |
| 10 | 1X 5955 | 8 | Flange, Split | |
| | 1X 5740 | 4 | O-ring | |
| | 126009100 | 16 | Capscrew | |
| 11 | 1X 7387 | 1 | Elbow | |
| | J7J0955 | 1 | Disc, Orifice | |
| 12 | J7J0903 | 1 | Tube Assy | |
| | J7J0343 | 1 | Valve, Check | |
| 13 | 1X 8171 | 6 | Capscrew | |
| 14 | J7J0906 | 1 | Tube Assy | |
| | J7J0343 | 1 | Valve, Check | |
| 15 | J7J0929 | 1 | Tube Assy | |
| | 1X 7408 | 1 | Elbow | |
| | 1X 7492 | 1 | Reducer | |
| | 1X 7365 | 1 | Nut, Tube | |
| 16 | J7J0902 | 1 | Tube Assy | |
| 17 | J7J0902 | 1 | Tube Assy | |
| 18 | J7J0769 | 1 | Hose Assy | |
| | 1X 7530 | 2 | Connector | |
| | 1X 7498 | 2 | Reducer | |
| 19 | J7J0905 | 1 | Tube Assy | |
| | J7J0343 | 1 | Valve, Check | |
| 20 | J7J0904 | 1 | Tube Assy | |
| 21 | 1X 7395 | 1 | Tee | |
| 22 | J7J0903 | 1 | Tube Assy | |
| | J7J0343 | 1 | Valve, Check | |
| 23 | 1X 7404 | 1 | Elbow | |
| | 1X 7371 | 1 | Connector | |
| 24 | J7J0343 | 1 | Valve, Check | |
| 25 | J7J0900 | 1 | Valve, 2 Way Solenoid | |
| | 3J 13193 | 1 | Kit, Seal | |
| | 3J 17141 | 1 | Cartridge | |
| 26 | J7J0907 | 1 | Tube Assy | |
| | 1X 7388 | 1 | Elbow | |

Wheel Drive Manifold Installation

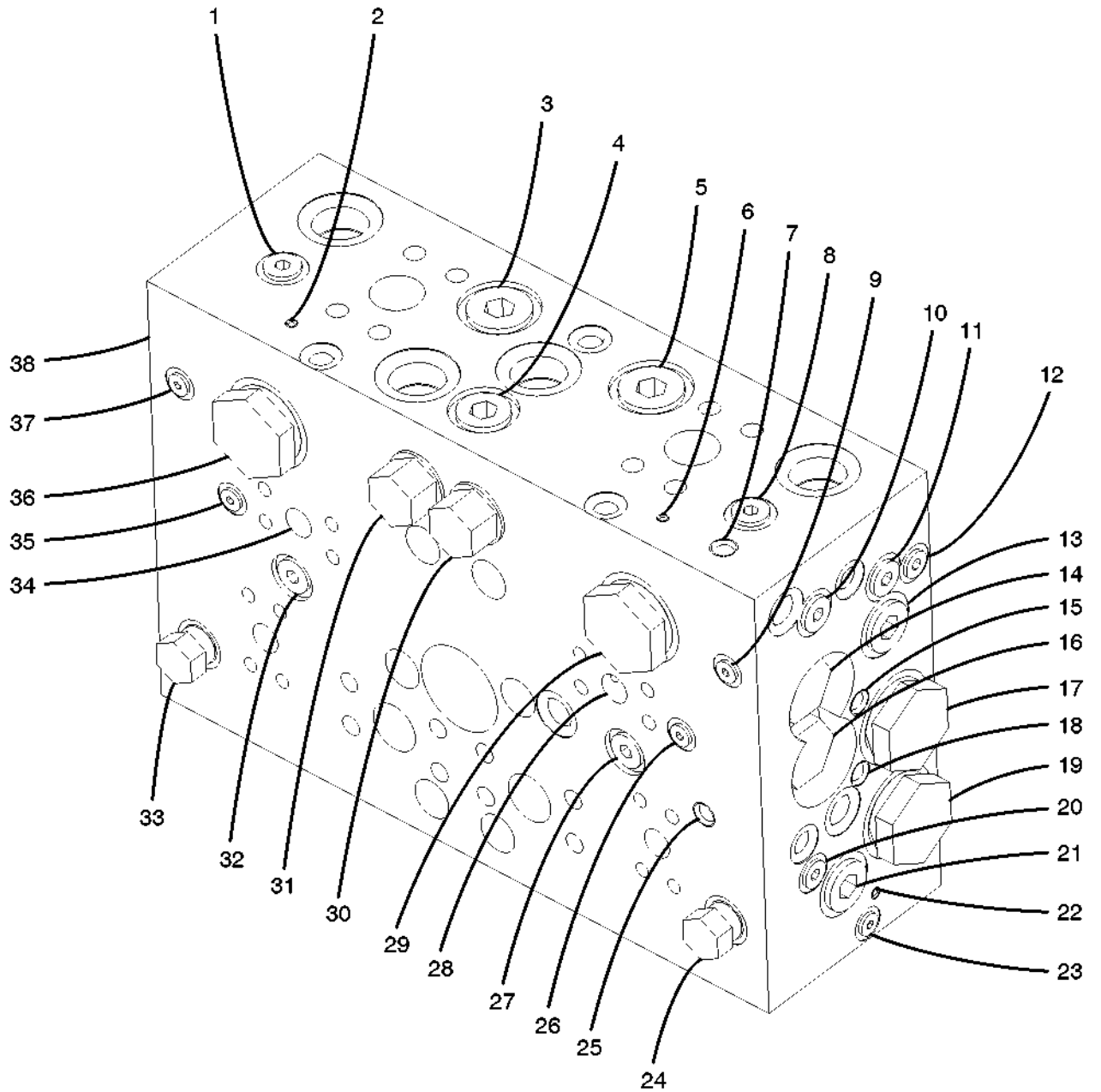


Parts List

0708

| Wheel Drive Manifold Installation | | | | |
|-----------------------------------|-----------|-----|---------------|---------|
| REF | PART NO. | QTY | DESCRIPTION | REMARKS |
| 27 | 1X 7418 | 1 | Tee | |
| | 1X 7392 | 1 | Elbow | |
| 28 | 1X 7377 | 1 | Connector | |
| 29 | J7J0343 | 1 | Valve, Check | |
| 30 | 31J0237 | 4 | Flange, Split | |
| | 20J0771 | 2 | O-ring | |
| | 126009030 | 8 | Capscrew | |
| 31 | 1X 7368 | 1 | Connector | |
| 32 | 20J0990 | 1 | O-ring | |
| 33 | 1X 5740 | 1 | O-ring | |
| 34 | 20J0771 | 4 | O-ring | |
| 35 | 8J 0346 | 5 | O-ring | |
| 36 | 1X 7514 | 1 | Elbow | |
| 37 | 1X 8129 | 1 | Cross | |

Manifold Block Assy

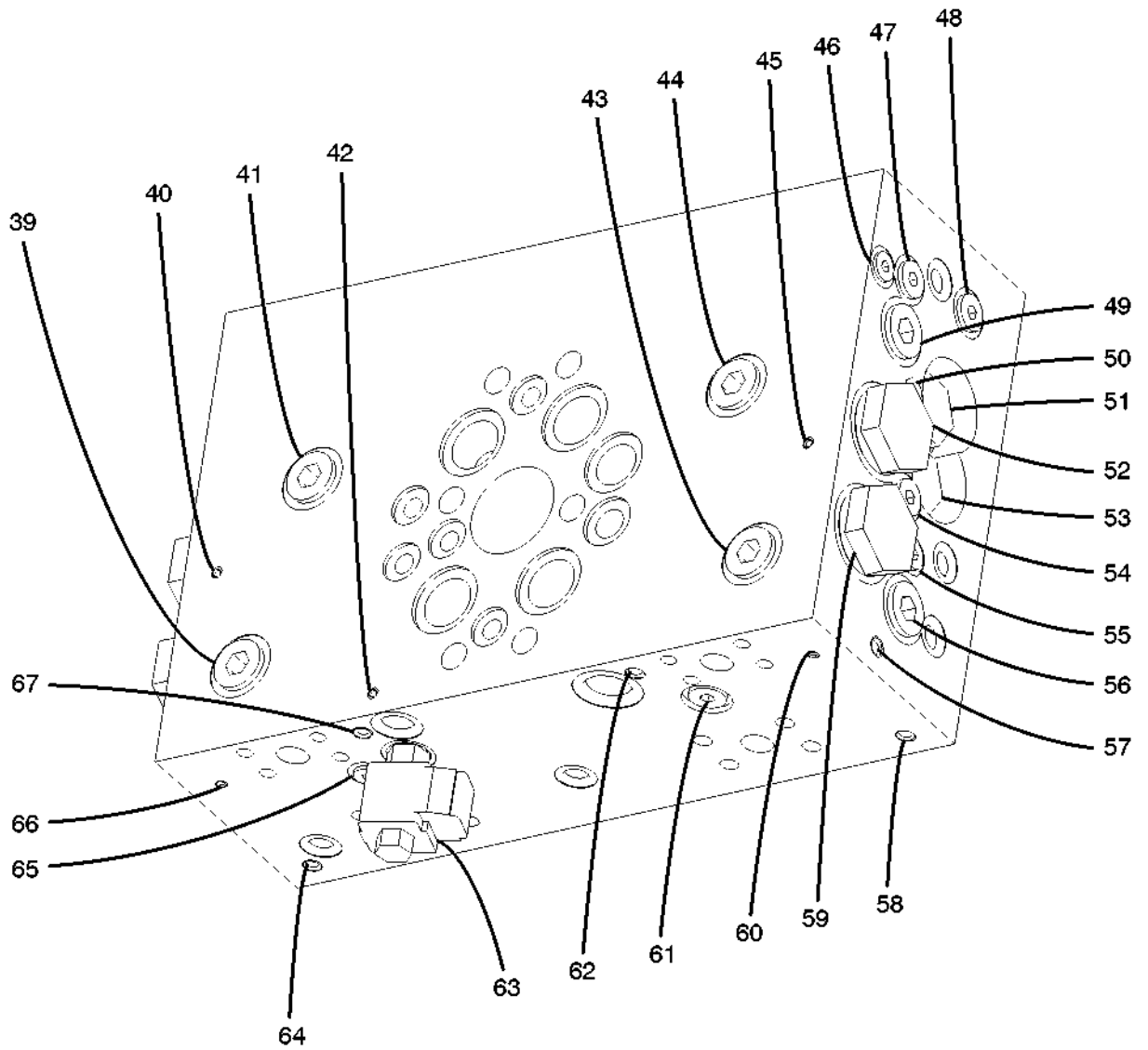


Parts List

1208

| Manifold Block Assy | | | | |
|---------------------|----------|-----|------------------------------|---------|
| REF | PART NO. | QTY | DESCRIPTION | REMARKS |
| | R3J0274 | 1 | Manifold Block Assy | |
| 1 | 1X 4194 | 1 | Plug | |
| 2 | 3J 16018 | 1 | Plug, Expander | |
| 3 | 1X 4469 | 1 | Plug | |
| 4 | 1X 4370 | 1 | Plug | |
| 5 | 1X 4469 | 1 | Plug | |
| 6 | 3J 16018 | 1 | Plug, Expander | |
| 7 | 1X 4526 | 1 | Plug | |
| 8 | 1X 4194 | 1 | Plug | |
| 9 | 1X 4448 | 1 | Plug | |
| 10 | 1X 4194 | 1 | Plug | |
| 11 | 1X 4194 | 1 | Plug | |
| 12 | 1X 4526 | 1 | Plug | |
| 13 | 1X 4370 | 1 | Plug | |
| 14 | 3J 16390 | 1 | Valve, Flow Divider/Combiner | |
| 15 | 1X 4526 | 1 | Plug | |
| 16 | 3J 16390 | 1 | Valve, Flow Divider/Combiner | |
| 17 | 3J 16391 | 1 | Valve, Directional | |
| | 3J 16396 | 1 | Kit, Seal | |
| 18 | 1X 4526 | 1 | Plug | |
| 19 | 3J 16391 | 1 | Valve, Directional | |
| | 3J 16396 | 1 | Kit, Seal | |
| 20 | 1X 4526 | 1 | Plug | |
| 21 | 1X 4370 | 1 | Plug | |
| 22 | 3J 16018 | 1 | Plug, Expander | |
| 23 | 1X 4448 | 1 | Plug | |
| 24 | 3J 16902 | 1 | Valve, Shuttle | |
| | 3J 16395 | 1 | Kit, Seal | |
| 25 | 1X 4526 | 1 | Plug | |
| 26 | 1X 4448 | 1 | Plug | |
| | J7J0924 | 1 | Orifice | |
| 27 | 1X 4194 | 1 | Plug | |
| | J7J0924 | 1 | Orifice | |
| 28 | J7J0924 | 1 | Orifice | |
| 29 | 3J 16903 | 1 | Valve, Directional | |
| | 3J 16396 | 1 | Kit, Seal | |
| 30 | 3J 16392 | 1 | Valve, Check | |
| | 3J 12943 | 1 | Kit, Seal | |
| 31 | 3J 16901 | 1 | Valve, Check | |
| | 3J 12943 | 1 | Kit, Seal | |
| 32 | 1X 4194 | 1 | Plug | |
| | J7J0924 | 1 | Orifice | |
| 33 | 3J 16902 | 1 | Valve, Shuttle | |
| | 3J 16395 | 1 | Kit, Seal | |
| 34 | J7J0924 | 1 | Orifice | |
| 35 | 1X 4448 | 2 | Plug | |
| | J7J0924 | 2 | Orifice | |
| 36 | 3J 16903 | 1 | Valve, Directional | |
| | 3J 16396 | 1 | Kit, Seal | |
| 37 | 1X 4448 | 1 | Plug | |
| 38 | J7J0897 | 1 | Block, Manifold | |

Manifold Block Assy

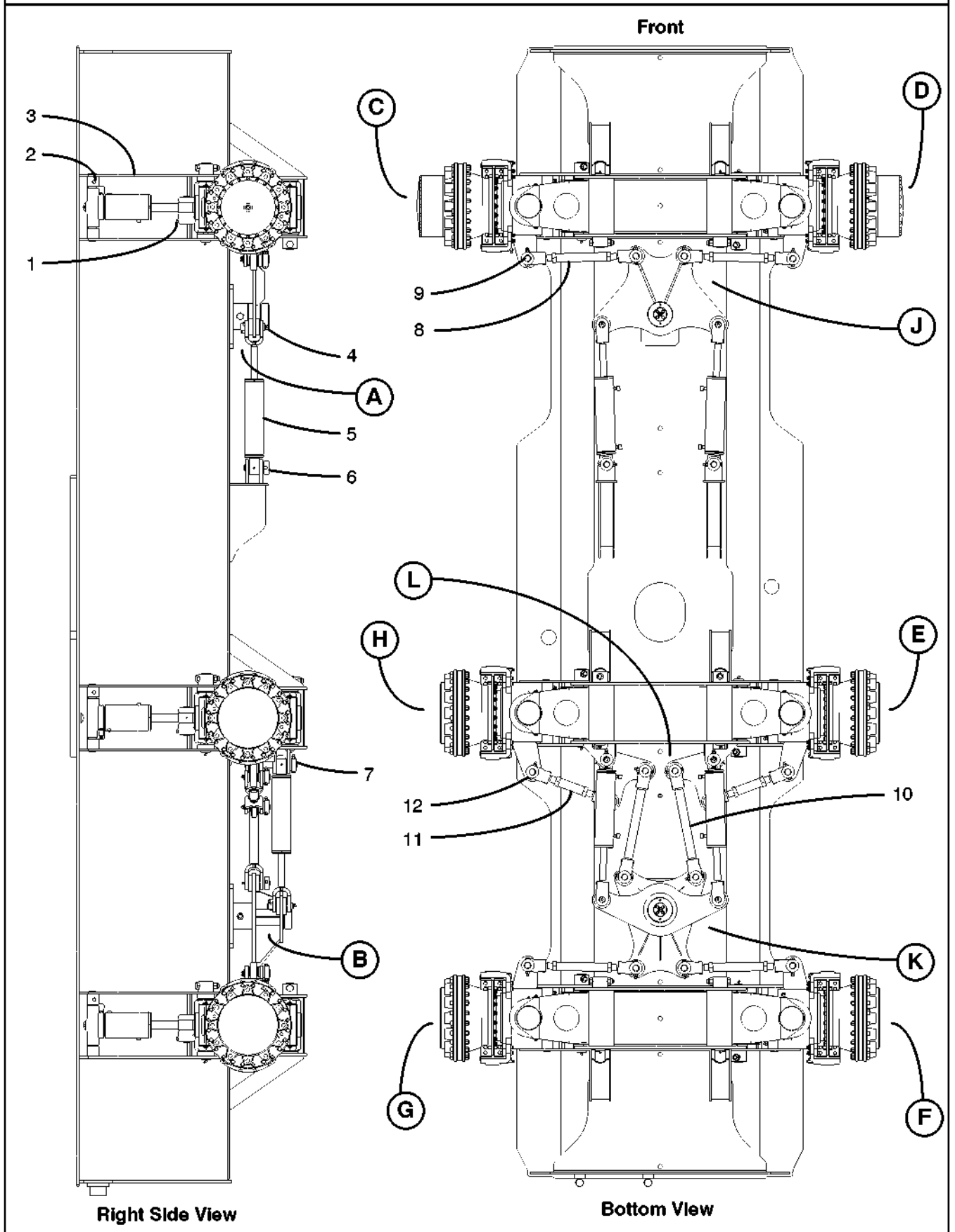


Parts List

1208

| Manifold Block Assy | | | | |
|---------------------|----------|-----|------------------------------|---------|
| REF | PART NO. | QTY | DESCRIPTION | REMARKS |
| 39 | 1X 4370 | 1 | Plug | |
| 40 | 3J 16018 | 1 | Plug, Expander | |
| 41 | 1X 4370 | 1 | Plug | |
| 42 | 3J 16018 | 1 | Plug, Expander | |
| 43 | 1X 4370 | 1 | Plug | |
| 44 | 1X 4370 | 1 | Plug | |
| 45 | 3J 16018 | 1 | Plug, Expander | |
| 46 | 1X 4526 | 1 | Plug | |
| 47 | 1X 4194 | 1 | Plug | |
| 48 | 1X 4194 | 1 | Plug | |
| 49 | 1X 4370 | 1 | Plug | |
| 50 | 1X 4526 | 1 | Plug | |
| 51 | 3J 16390 | 1 | Valve, Flow Divider/Combiner | |
| 52 | 3J 16391 | 1 | Valve, Directional | |
| | 3J 16396 | 1 | Kit, Seal | |
| 53 | 3J 16390 | 1 | Valve, Flow Divider/Combiner | |
| 54 | 1X 4194 | 1 | Plug | |
| 55 | 1X 4526 | 1 | Plug | |
| 56 | 1X 4370 | 1 | Plug | |
| 57 | 1X 4448 | 1 | Plug | |
| 58 | 1X 4448 | 1 | Plug | |
| 59 | 3J 16391 | 1 | Valve, Directional | |
| | 3J 16396 | 1 | Kit, Seal | |
| 60 | 3J 16018 | 1 | Plug, Expander | |
| 61 | 1X 4194 | 1 | Plug | |
| 62 | 1X 4448 | 1 | Plug | |
| 63 | 3J 16022 | 1 | Valve, Solenoid | |
| | 3J 16394 | 1 | Kit, Seal | |
| | 3J 17421 | 1 | Coil | |
| 64 | 3J 16020 | 1 | Plug, Expander | |
| 65 | 1X 4526 | 1 | Plug | |
| 66 | 3J 16018 | 1 | Plug, Expander | |
| 67 | 1X 4448 | 1 | Plug | |

Hydraulic Drive Motors & Suspension Installation

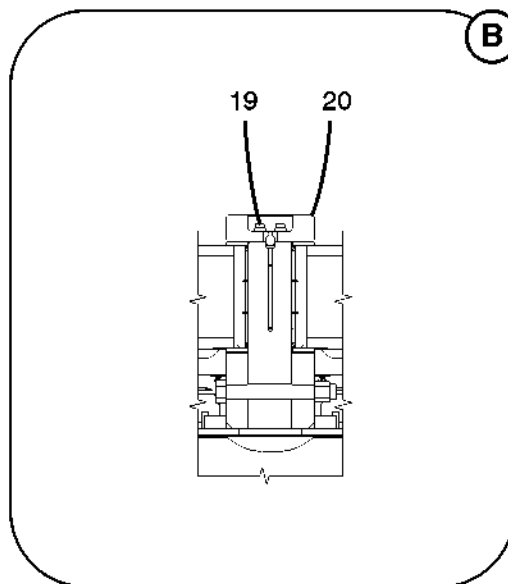
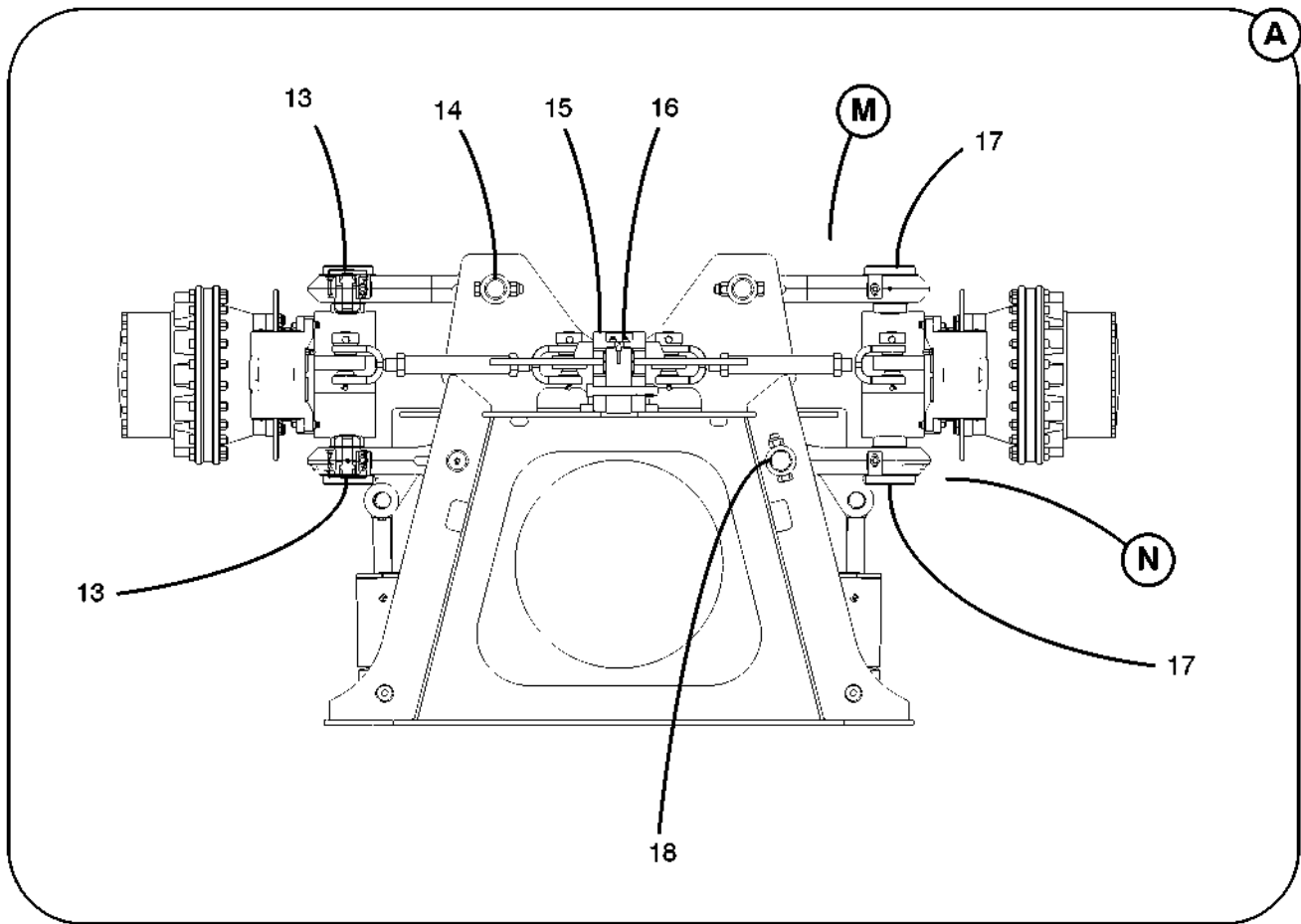


Parts List

0809

| Hydraulic Drive Motors & Suspension Installation | | | | |
|--|----------|-----|---|---------|
| REF | PART NO. | QTY | DESCRIPTION | REMARKS |
| 1 | REF | 6 | Oscillation Cylinder Assy – See Keysheet 01–078 | |
| 2 | J7A0597 | 6 | Pin | |
| | 1X 4055 | 6 | Capscrew | |
| | 1X 4987 | 6 | Locknut | |
| 3 | J7A0598 | 6 | Pin | |
| | 1X 4055 | 6 | Capscrew | |
| 4 | J7A0603 | 4 | Pin | |
| | 12V0119 | 4 | End, Rod | |
| | 1X 5472 | 4 | Capscrew | |
| | 1X 1800 | 4 | Fitting, Grease | |
| 5 | REF | 4 | Steer Cylinder Assy – See Keysheet 01–007 | |
| 6 | J7A0603 | 2 | Pin | |
| | 1X 4055 | 2 | Capscrew | |
| | 1X 4987 | 2 | Locknut | |
| | 1X 0823 | 2 | Plug | |
| 7 | J7A0580 | 2 | Pin | |
| | 1X 4055 | 2 | Capscrew | |
| | 1X 4987 | 2 | Locknut | |
| 8 | J7A0517 | 4 | Long Tie Rod Assy | |
| | J7A0503 | 1 | Rod, Tie | |
| | J7A0507 | 1 | Clevis, Right Hand | |
| | J7A0508 | 1 | Clevis, Left Hand | |
| | J7A0509 | 1 | Nut, Jam – LH | |
| | 1X 0203 | 1 | Nut, Jam – RH | |
| 9 | J7A0606 | 8 | Pin | |
| | 1X 4055 | 8 | Capscrew | |
| | 1X 4987 | 8 | Locknut | |
| | 1X 1800 | 8 | Fitting, Grease | |
| 10 | J7A0506 | 2 | Connector, Tie Rod | |
| | J7A0603 | 4 | Pin | |
| | 1X 4055 | 4 | Capscrew | |
| | 1X 4987 | 4 | Locknut | |
| | 1X 1800 | 4 | Fitting, Grease | |
| 11 | J7A0516 | 2 | Short Tie Rod Assy | |
| | J7A0504 | 1 | Rod, Tie | |
| | J7A0507 | 1 | Clevis, Right Hand | |
| | J7A0508 | 1 | Clevis, Left Hand | |
| | J7A0509 | 1 | Nut, Jam – LH | |
| | 1X 0203 | 1 | Nut, Jam – RH | |
| 12 | J7A0606 | 4 | Pin | |
| | 1X 4055 | 4 | Capscrew | |
| | 1X 4987 | 4 | Locknut | |
| | 1X 1800 | 4 | Fitting, Grease | |
| 13 | J7A0566 | 12 | Collar, King Pin | |
| | 1X 8176 | 12 | Capscrew | |

Hydraulic Drive Motors & Suspension Installation

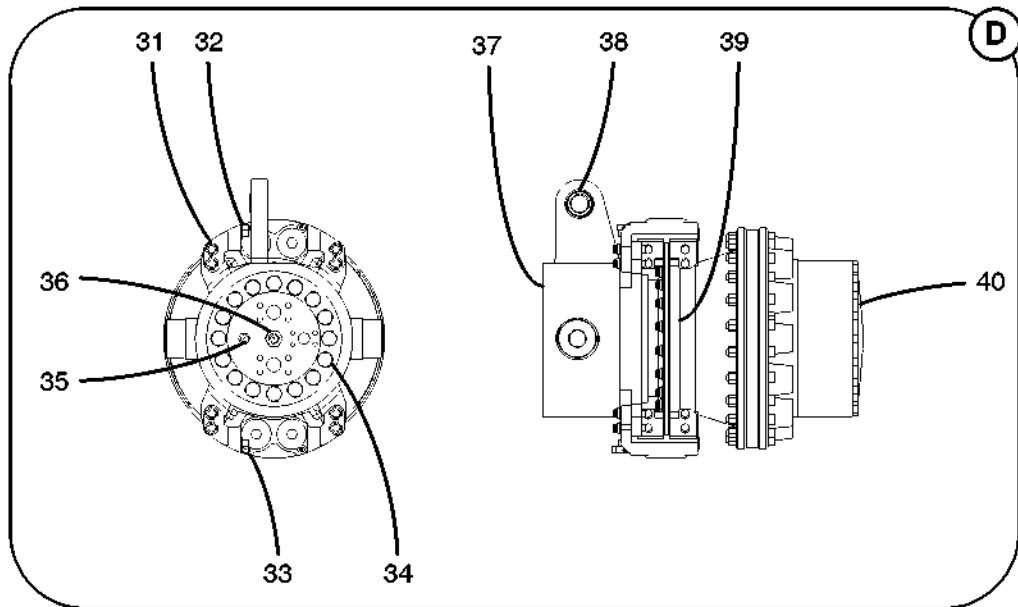
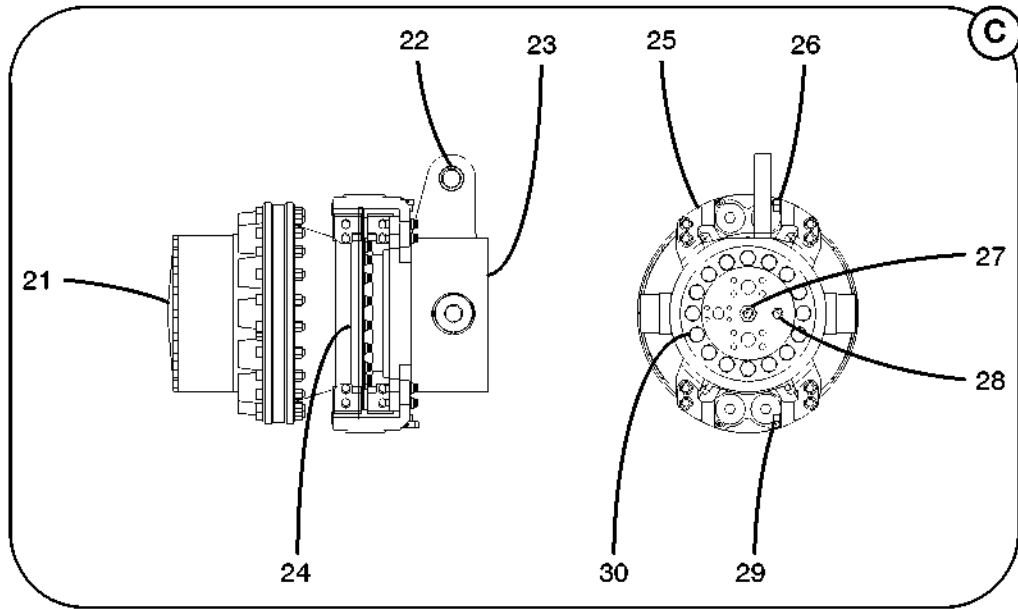


Parts List

0809

| Hydraulic Drive Motors & Suspension Installation | | | | |
|--|-----------|-----|--|---------|
| REF | PART NO. | QTY | DESCRIPTION | REMARKS |
| 14 | J7A0596 | 6 | Pin, Lower Control Arm | |
| | J7A0612 | 9 | Shim – .25" Thick – AR | |
| | J7A0732 | 9 | Shim – .13" Thick – AR | |
| | J7A0673 | 9 | Shim – .06" Thick – AR | |
| | 1X 3848 | 6 | Capscrew | |
| | 1X 4927 | 6 | Locknut | |
| | 1X 0817 | 6 | Fitting, Grease | |
| 15 | J7A0578 | 1 | Pin | |
| | J7A0266 | 1 | Cap, End | |
| | J7A0283 | 2 | Spacer | |
| | 1X 4032 | 1 | Capscrew | |
| | 1X 4927 | 1 | Locknut | |
| | 1X 0813 | 1 | Fitting, Grease | |
| 16 | 1X 2686 | 4 | Capscrew | |
| 17 | J7A0739 | 12 | Cover, Dust | |
| | 126009012 | 24 | Capscrew | |
| | 128003004 | 24 | Washer | |
| 18 | J7A0569 | 6 | Pin, Upper Control Arm | |
| | J7A0612 | 9 | Shim – .25" Thick – AR | |
| | J7A0732 | 9 | Shim – .13" Thick – AR | |
| | J7A0673 | 9 | Shim – .06" Thick – AR | |
| | 1X 3848 | 6 | Capscrew | |
| | 1X 4927 | 6 | Locknut | |
| | 1X 0817 | 6 | Fitting, Grease | |
| 19 | 1X 2686 | 4 | Capscrew | |
| 20 | J7A0579 | 1 | Pin | |
| | J7A0266 | 1 | Cap, End | |
| | J7A0283 | 2 | Spacer | |
| | 1X 4032 | 1 | Capscrew | |
| | 1X 4927 | 1 | Locknut | |
| | 1X 0813 | 1 | Fitting, Grease | |
| | J7A0687 | 1 | Right Front Motor S/A | |
| 21 | J7J0894 | 1 | 2 Speed Hydraulic Drive Motor Assy – See Keysheet 01-090-004.00 | NSS |
| | J7A0300 | 1 | Bearing | |
| | J7A0303 | 1 | Ring, Snap | |
| 23 | J7A0552 | 1 | Hub | |
| 24 | J7A0450 | 1 | Disc, Brake | |
| | J7A0451 | 1 | Spacer | |
| | 126007059 | 18 | Capscrew | |
| | 128002009 | 18 | Washer | |
| 25 | REF | 2 | Brake Caliper Assy – See Keysheet 01-025 | |
| | 126007059 | 8 | Capscrew | |
| | 128002009 | 8 | Washer | |
| 26 | 1X 7576 | 1 | Elbow | |
| 27 | J7J0413 | 1 | Adaptor | |
| | 1X 7441 | 1 | Reducer | |
| | 1X 7364 | 1 | Nut, Tube | |
| 28 | J7J0412 | 1 | Adaptor | |
| 29 | 1X 7577 | 1 | Elbow | |

Hydraulic Drive Motors & Suspension Installation

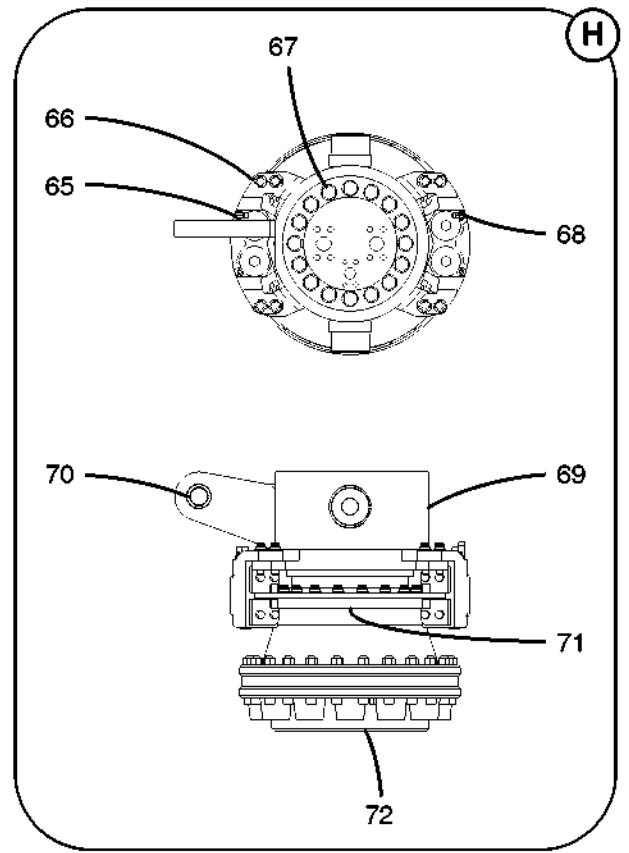
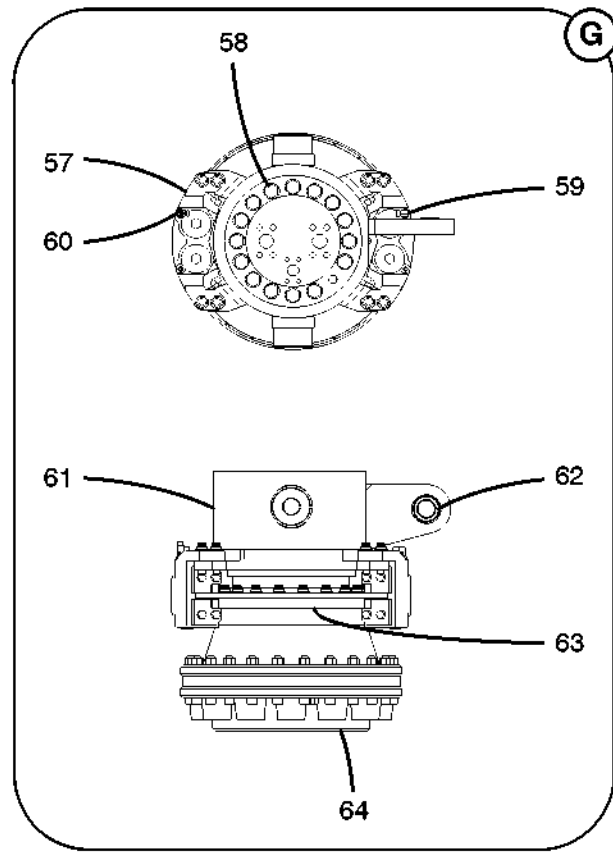
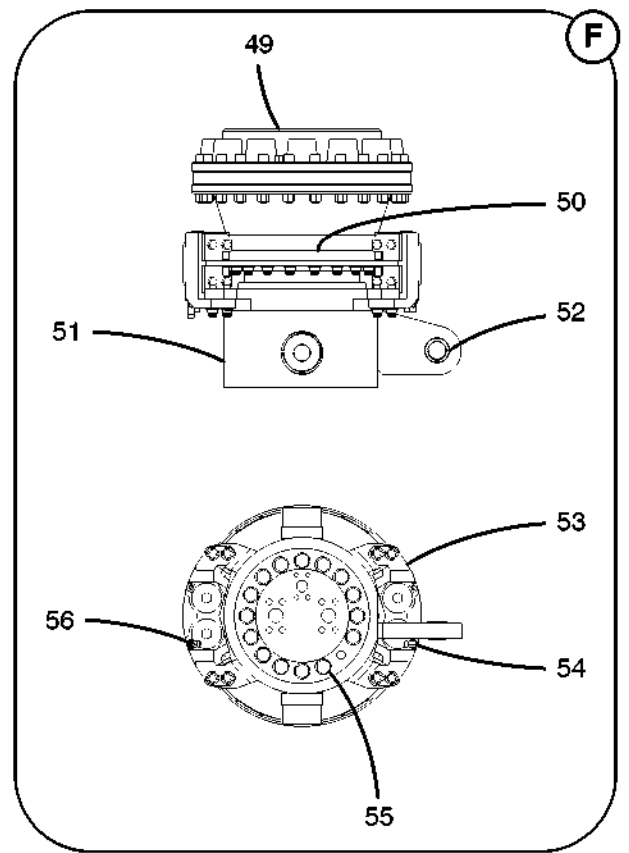
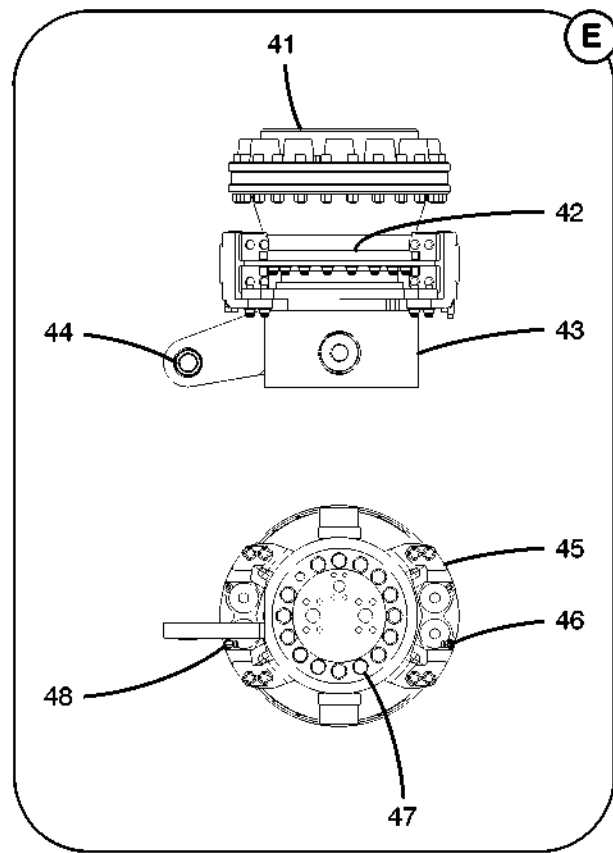


Parts List

0809

| Hydraulic Drive Motors & Suspension Installation | | | | |
|--|-----------|-----|---|---------|
| REF | PART NO. | QTY | DESCRIPTION | REMARKS |
| 30 | 126008010 | 16 | Capscrew | NSS |
| | 128002010 | 16 | Washer | |
| | J7A0684 | 1 | Left Front Motor S/A | |
| 31 | REF | 2 | Brake Caliper Assy – See Keysheet 01–025 | |
| | 126007059 | 8 | Capscrew | |
| | 128002009 | 8 | Washer | |
| 32 | 1X 7576 | 1 | Elbow | |
| 33 | 1X 7577 | 1 | Elbow | |
| 34 | 126008010 | 16 | Capscrew | |
| | 128002010 | 16 | Washer | |
| 35 | J7J0412 | 1 | Adaptor | NSS |
| 36 | J7J0413 | 1 | Adaptor | |
| | 1X 7441 | 1 | Reducer | |
| | 1X 7364 | 1 | Nut, Tube | |
| 37 | J7A0551 | 1 | Hub | |
| 38 | J7A0300 | 1 | Bearing | |
| | J7A0303 | 1 | Ring, Snap | |
| 39 | J7A0450 | 1 | Disc, Brake | |
| | J7A0451 | 1 | Spacer | |
| | 126007059 | 18 | Capscrew | |
| | 128002009 | 18 | Washer | |
| 40 | J7J0895 | 1 | 2 Speed Hydraulic Drive Motor Assy – See Keysheet 01–090–005.00 | NSS |
| | J7A0704 | 1 | Left Center Motor S/A | |
| 41 | J7J0896 | 1 | 1 Speed Hydraulic Drive Motor Assy – See Keysheet 01–090–006.00 | |
| 42 | J7A0450 | 1 | Disc, Brake | |
| | J7A0451 | 1 | Spacer | |
| | 126007059 | 18 | Capscrew | |
| | 128002009 | 18 | Washer | |
| 43 | J7A0703 | 1 | Hub | |
| 44 | J7A0300 | 1 | Bearing | |
| | J7A0303 | 1 | Ring, Snap | |
| 45 | REF | 2 | Brake Caliper Assy – See Keysheet 01–025 | |
| | 126007059 | 8 | Capscrew | |
| | 128002009 | 8 | Washer | |
| 46 | 1X 7577 | 1 | Elbow | |
| 47 | 126008010 | 16 | Capscrew | |
| | 128002010 | 16 | Washer | |
| 48 | 1X 7576 | 1 | Elbow | |
| | J7A0700 | 1 | Left Rear Motor S/A | NSS |
| 49 | J7J0896 | 1 | 1 Speed Hydraulic Drive Motor Assy – See Keysheet 01–090–006.00 | |
| 50 | J7A0450 | 1 | Disc, Brake | |
| | J7A0451 | 1 | Spacer | |
| | 126007059 | 18 | Capscrew | |
| | 128002009 | 18 | Washer | |
| 51 | J7A0699 | 1 | Hub | |
| 52 | J7A0300 | 1 | Bearing | |
| | J7A0303 | 1 | Ring, Snap | |

Hydraulic Drive Motors & Suspension Installation

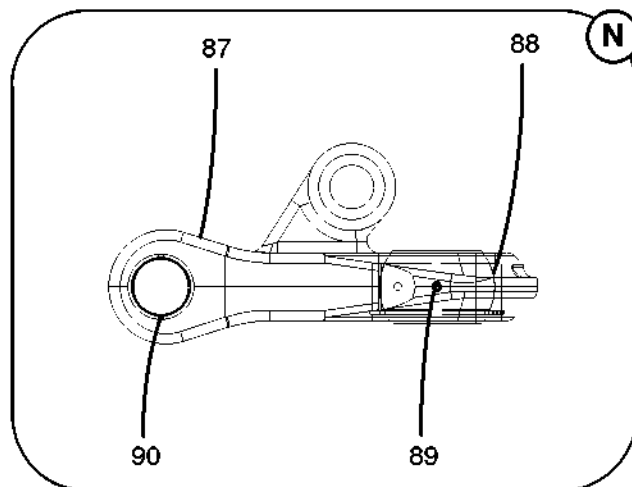
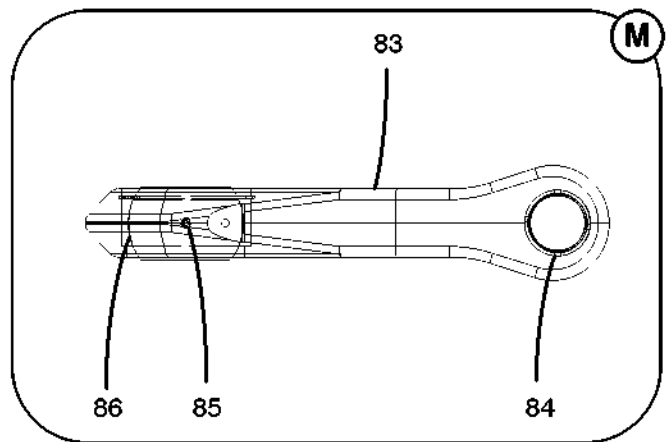
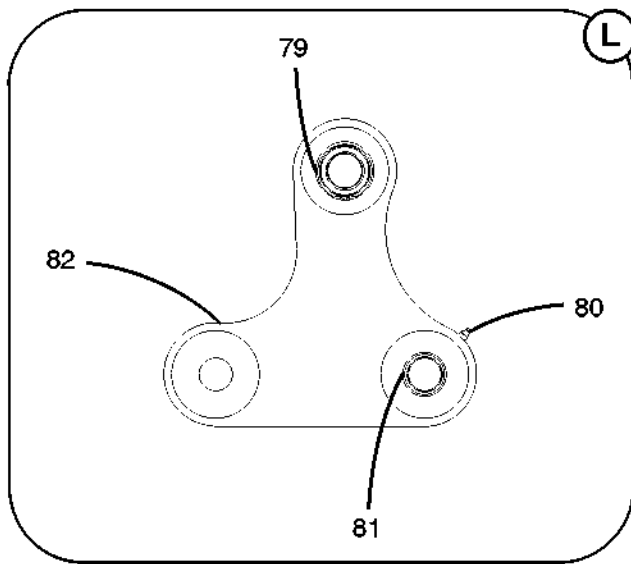
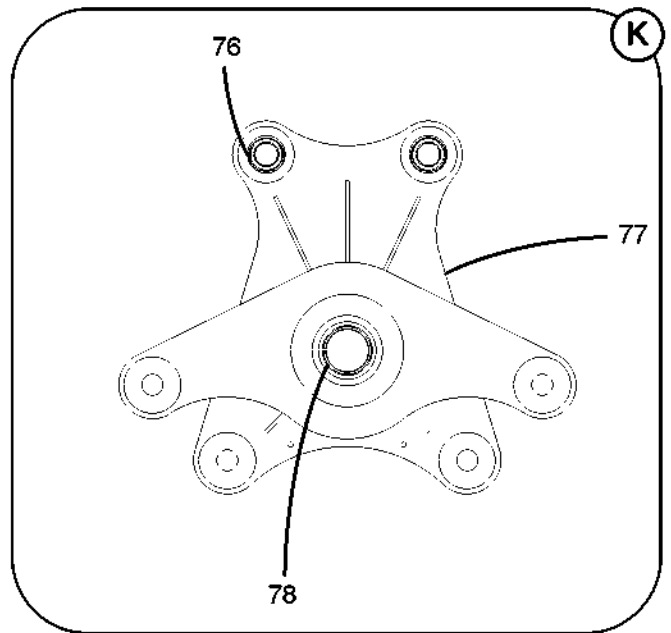
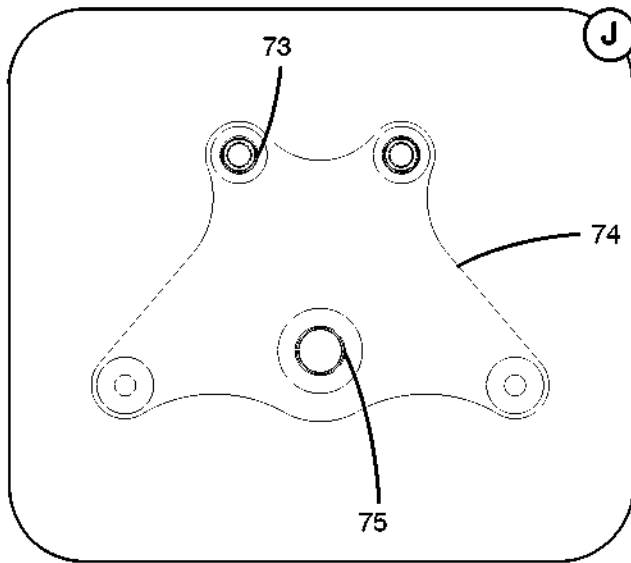


Parts List

0809

| Hydraulic Drive Motors & Suspension Installation | | | | |
|--|-----------|-----|---|---------|
| REF | PART NO. | QTY | DESCRIPTION | REMARKS |
| 53 | REF | 2 | Brake Caliper Assy – See Keysheet 01–025 | |
| | 126007059 | 8 | Capscrew | |
| | 128002009 | 8 | Washer | |
| 54 | 1X 7576 | 1 | Elbow | |
| 55 | 126008010 | 16 | Capscrew | |
| | 128002010 | 16 | Washer | |
| 56 | 1X 7577 | 1 | Elbow | |
| | J7A0698 | 1 | Right Rear Motor S/A | |
| 57 | REF | 2 | Brake Caliper Assy – See Keysheet 01–025 | |
| | 126007059 | 8 | Capscrew | |
| | 128002009 | 8 | Washer | |
| 58 | 126008010 | 16 | Capscrew | NSS |
| | 128002010 | 16 | Washer | |
| 59 | 1X 7576 | 1 | Elbow | |
| 60 | 1X 7577 | 1 | Elbow | |
| 61 | J7A0697 | 1 | Hub | |
| 62 | J7A0300 | 1 | Bearing | |
| | J7A0303 | 1 | Ring, Snap | |
| 63 | J7A0450 | 1 | Disc, Brake | |
| | J7A0451 | 1 | Spacer | |
| | 126007059 | 18 | Capscrew | |
| | 128002009 | 18 | Washer | |
| 64 | J7J0896 | 1 | 1 Speed Hydraulic Drive Motor Assy – See Keysheet 01–090–006.00 | NSS |
| | J7A0702 | 1 | Right Center Motor S/A | |
| 65 | 1X 7576 | 1 | Elbow | |
| 66 | REF | 2 | Brake Caliper Assy – See Keysheet 01–025 | |
| | 126007059 | 8 | Capscrew | |
| | 128002009 | 8 | Washer | |
| 67 | 126008010 | 16 | Capscrew | |
| | 128002010 | 16 | Washer | |
| 68 | 1X 7577 | 1 | Elbow | |
| 69 | J7A0701 | 1 | Hub | |
| 70 | J7A0300 | 1 | Bearing | |
| | J7A0303 | 1 | Ring, Snap | |
| 71 | J7A0450 | 1 | Disc, Brake | |
| | J7A0451 | 1 | Spacer | |
| | 126007059 | 18 | Capscrew | |
| | 128002009 | 18 | Washer | |
| 72 | J7J0896 | 1 | 1 Speed Hydraulic Drive Motor Assy – See Keysheet 01–090–006.00 | |
| | J7A0545 | 1 | Front Bell Crank Assy | |
| 73 | J7A0300 | 2 | Bearing | |
| | J7A0303 | 2 | Ring, Snap | |
| 74 | J7A0523 | 1 | Crank, Front Bell | |
| 75 | J7A0308 | 1 | Bushing | |
| | J7A0307 | 2 | Seal | |

Hydraulic Drive Motors & Suspension Installation

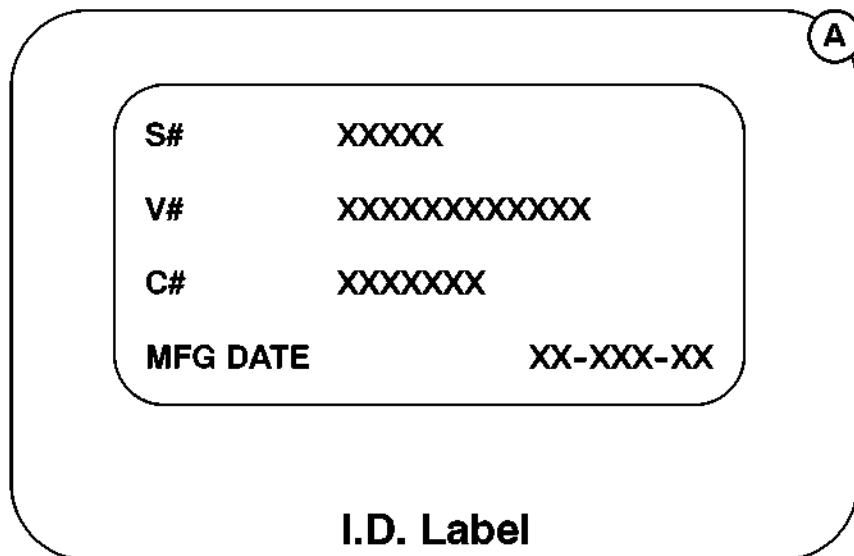
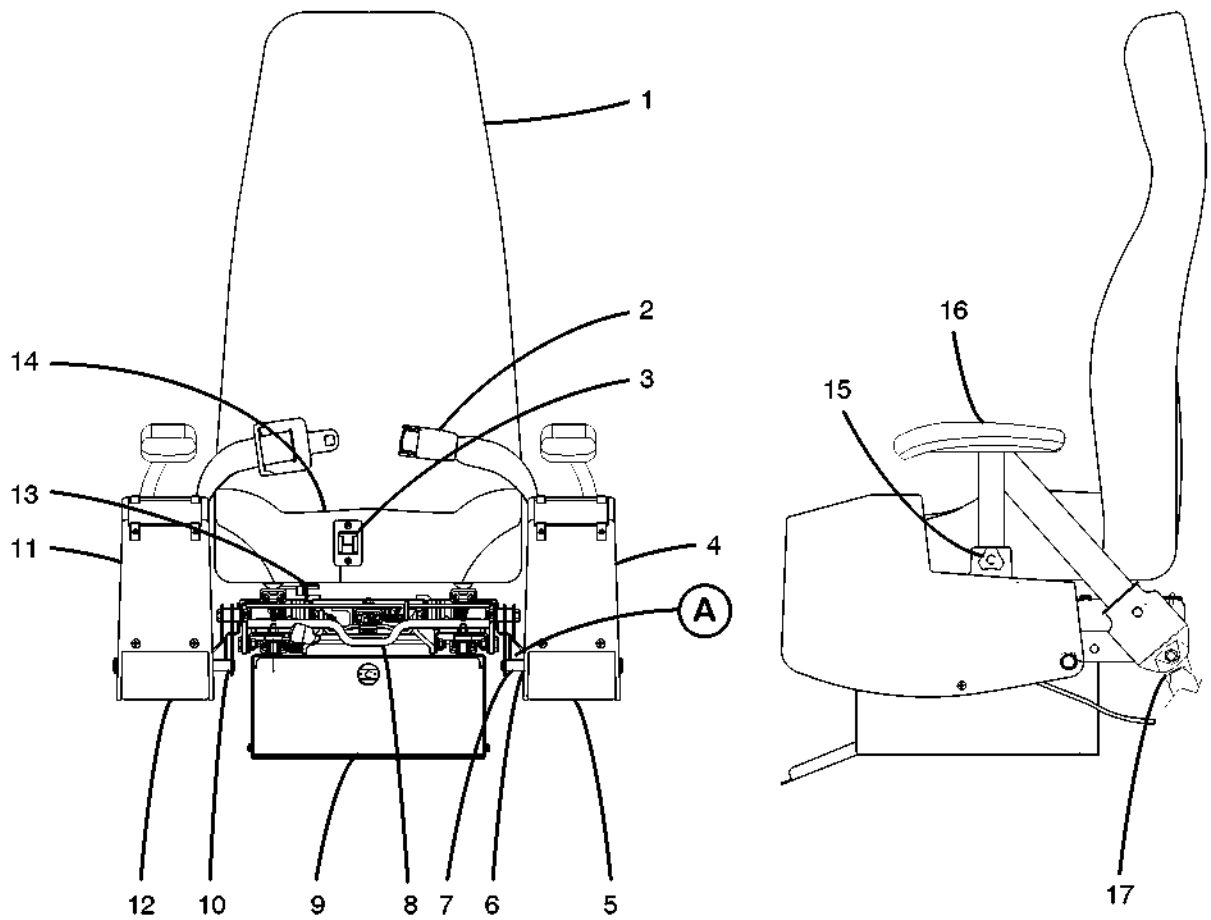


Parts List

0809

| Hydraulic Drive Motors & Suspension Installation | | | | |
|--|----------|-----|------------------------|---------|
| REF | PART NO. | QTY | DESCRIPTION | REMARKS |
| | J7A0546 | 1 | Rear Bell Crank Assy | |
| 76 | J7A0300 | 2 | Bearing | |
| | J7A0303 | 2 | Ring, Snap | |
| 77 | J7A0524 | 1 | Crank, Rear Bell | |
| 78 | J7A0308 | 2 | Bushing | |
| | 1X 0072 | 2 | Ring, Snap | |
| | J7A0307 | 2 | Seal | |
| | J7A0544 | 2 | Center Bell Crank Assy | |
| 79 | J7A0300 | 1 | Bearing | |
| | J7A0303 | 1 | Ring, Snap | |
| 80 | 1X 0812 | 1 | Fitting, Grease | |
| 81 | J7A0297 | 1 | Bushing | |
| | J7A0298 | 2 | Seal | |
| 82 | J7A0522 | 1 | Crank, Center Bell | |
| | J7A0384 | 4 | Spacer | |
| | J7A0742 | 6 | Lower Control Arm Assy | |
| 83 | J7A0740 | 1 | Arm, Lower Control | |
| 84 | J7A0305 | 2 | Seal | |
| | J7A0306 | 4 | Bushing | |
| 85 | 1X 0812 | 1 | Fitting, Grease | |
| 86 | J7A0301 | 1 | Bearing | |
| | J7A0302 | 1 | Ring, Snap | |
| | J7A0741 | 6 | Upper Control Arm Assy | |
| 87 | J7A0738 | 1 | Arm, Upper Control | |
| 88 | J7A0301 | 1 | Bearing | |
| | J7A0302 | 1 | Ring, Snap | |
| 89 | 1X 0812 | 1 | Fitting, Grease | |
| 90 | J7A0305 | 2 | Seal | |
| | J7A0306 | 4 | Bushing | |

Seat Assy

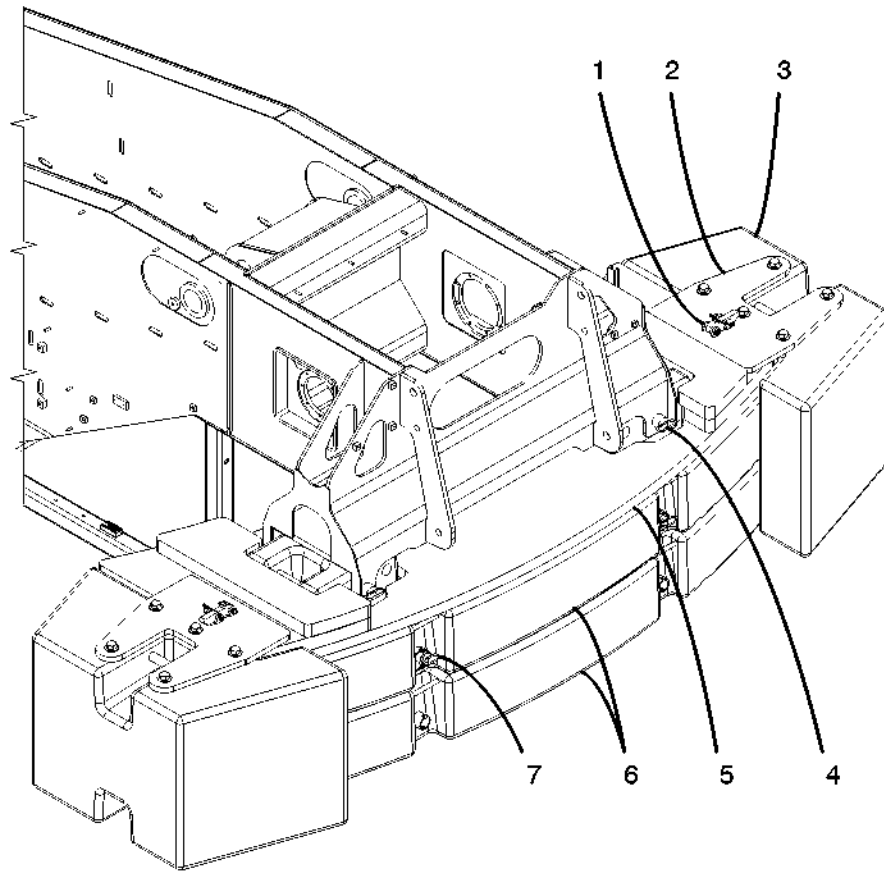


Parts List

0410

| Seat Assy | | | | |
|-----------|-----------|-----|--|---------|
| REF | PART NO. | QTY | DESCRIPTION | REMARKS |
| | N3N0064 | 1 | Seat Assy | |
| 1 | 3N 1221 | 1 | Cover, Highback | |
| 2 | 3N 0576 | 1 | Belt, Seat | |
| 3 | 3N 1222 | 1 | Cable & Control Assy | F1 |
| | 3N 0802 | 2 | Screw | F1 |
| | 3N 1311 | 1 | Cable & Control Assy | F2 |
| | 3N 1440 | 2 | Screw | F2 |
| 4 | 3N 1455 | 1 | Kit, LH Joystick Arm | |
| 5 | 3N 0718 | 1 | Cover, LH Joystick Arm | |
| 6 | 3N 1652 | 1 | Switch, Controls Lockout | |
| | E8L0005 | 1 | Relief, Strain | |
| | 829046002 | 1 | Cord, Service | |
| 7 | 3N 1107 | 1 | Bracket, Control Arm | |
| 8 | 3N 1129 | 1 | Seat Riser Assy | |
| 9 | 3N 1224 | 1 | Box, Tool | |
| 10 | 3N 1106 | 1 | Bracket, Control Arm | |
| 11 | 3N 1456 | 1 | Kit, RH Joystick Arm | |
| 12 | 3N 0717 | 1 | Cover, RH Joystick Arm | |
| 13 | 3N 0715 | 1 | Seat Adjustment Track Assy | |
| 14 | 3N 1103 | 1 | Cover, Cushion | |
| 15 | 3N 0586 | 1 | Knob, Arm Adjustment | |
| 16 | 3N 1453 | 1 | Armrest, Adjustable | |
| | 3N 1441 | 1 | Pad, Arm | |
| 17 | 3N 1223 | 1 | Kit, Tether | |
| | F1 | | Order This Part Number For Seats Manufactured Prior To August 1, 2005. The Manufacturing Date (MFG DATE) Can Be Found On The I.D. Label As Illustrated In View A. | |
| | F2 | | Order This Part Number For Seats Manufactured On Or After August 1, 2005. The Manufacturing Date (MFG DATE) Can Be Found On The I.D. Label As Illustrated In View A. | |

43,000 Lb Counterweight Installation

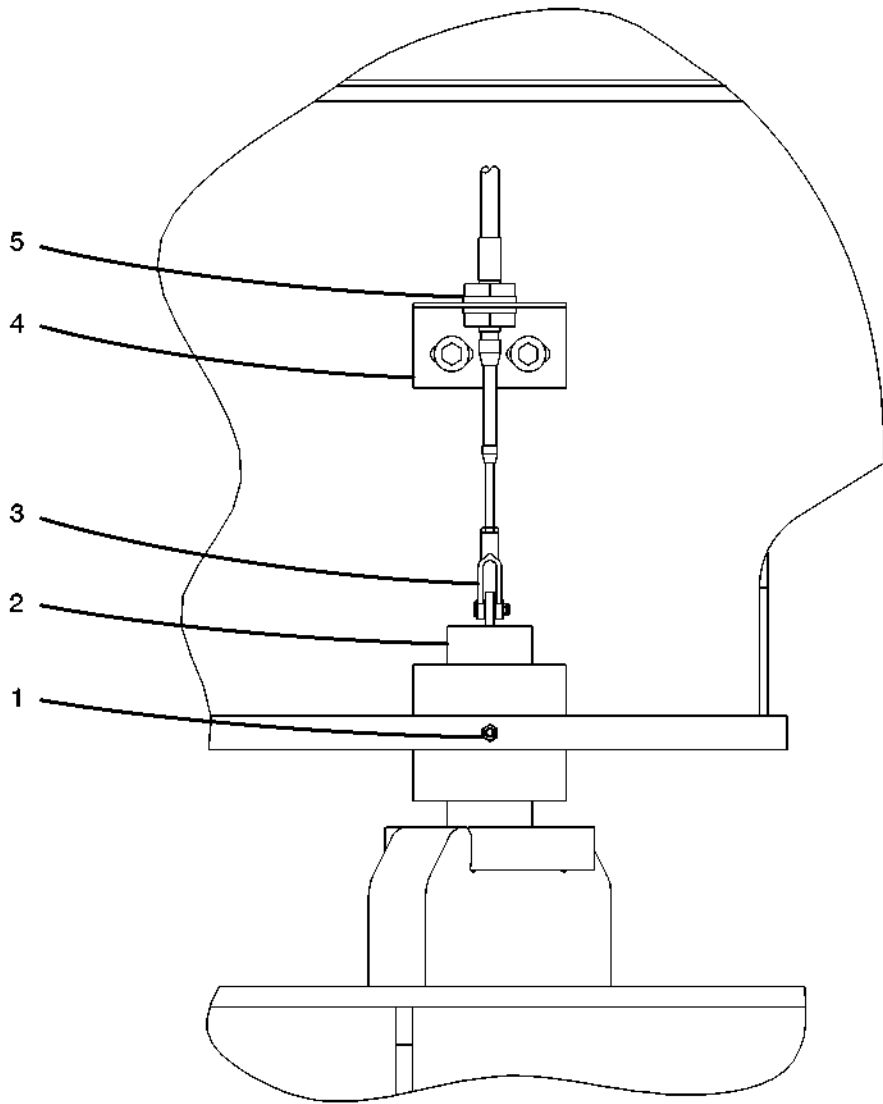


Parts List

1208

| 43,000 Lb Counterweight Installation | | | | |
|--------------------------------------|-----------|-----|--|------------|
| REF | PART NO. | QTY | DESCRIPTION | REMARKS |
| 1 | R3B0009 | 1 | Left Side Counterweight S/A | NSS NSS |
| | R3B0010 | 1 | Right Side Counterweight S/A | |
| | R3B0016 | 1 | Plate | |
| | 28M0648 | 1 | Pin, Lock | |
| | 126009022 | 1 | Capscrew | |
| | 128003004 | 2 | Washer | |
| | 127004003 | 1 | Locknut | |
| 2 | R3B0011 | 1 | Top, Side Counterweight | |
| | 126009079 | 5 | Capscrew | |
| | 128003012 | 5 | Washer | |
| 3 | R3B0008 | 1 | Counterweight, 7,000 Lb Side | |
| 4 | J7B0281 | 2 | Pin | |
| | 18M0273 | 2 | Pin, Lock | |
| 5 | R3B0019 | 1 | Counterweight, 3,000 Lb | |
| 6 | J7B0031 | 2 | Counterweight, 12,000 Lb | |
| 7 | J7B0092 | 2 | Pin | |
| | 28M0648 | 2 | Pin, Lock | |
| | REF | | 2,000 Lb Auxiliary Ctwt Or Rear Winch Assy – Not Shown | |

2 Position Swing Lock



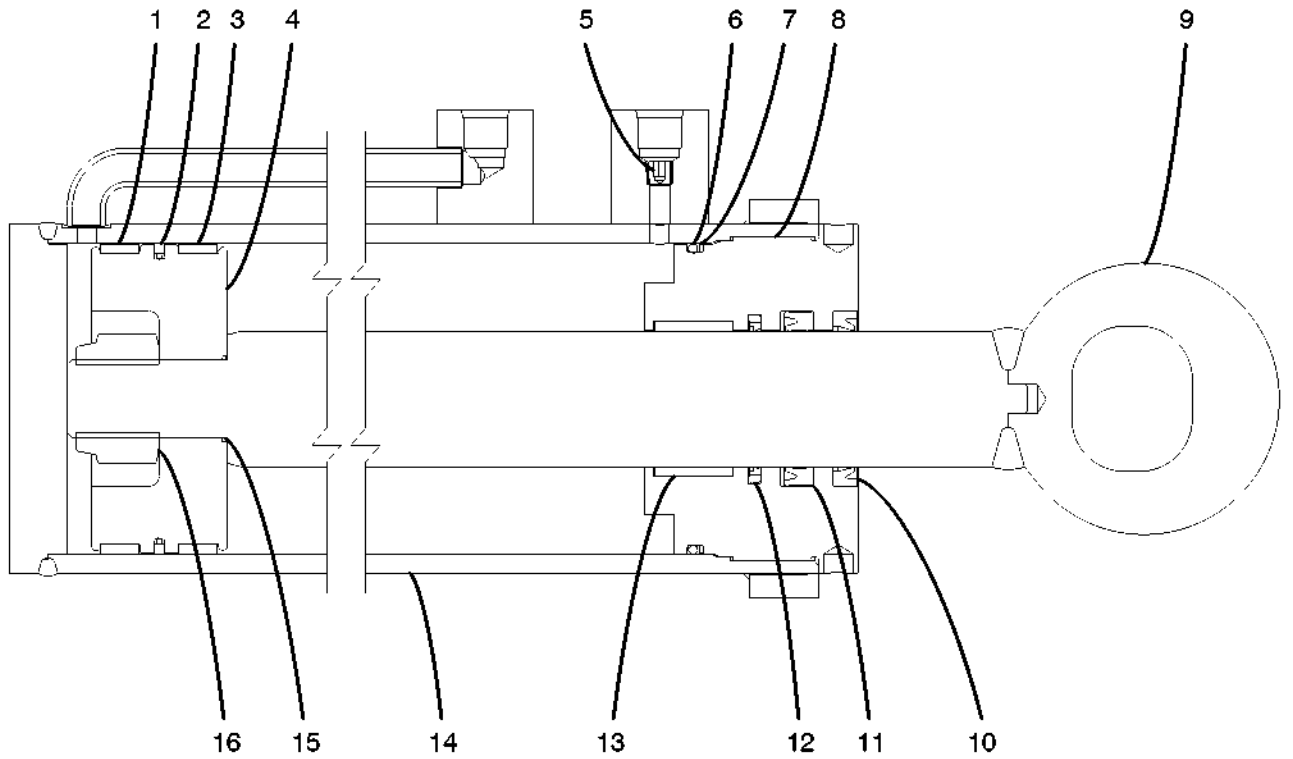
Parts List

0402

2 Position Swing Lock

| REF | PART NO. | QTY | DESCRIPTION | REMARKS |
|-----|-----------|-----|-----------------|---------|
| 1 | 1X 0812 | 1 | Fitting, Grease | |
| 2 | D7F0003 | 1 | Plunger | |
| 3 | 47F0034 | 1 | End, Yoke | |
| | 1X 0193 | 1 | Nut, Jam | |
| | HC 0115 | 1 | Pin, Clevis | |
| | 150007003 | 1 | Pin, Cotter | |
| 4 | 46F0171 | 1 | Bracket | |
| | 126009012 | 2 | Capscrew | |
| | 128003004 | 2 | Washer | |
| 5 | 128003008 | 2 | Washer | |

Counterweight Cylinder Assy

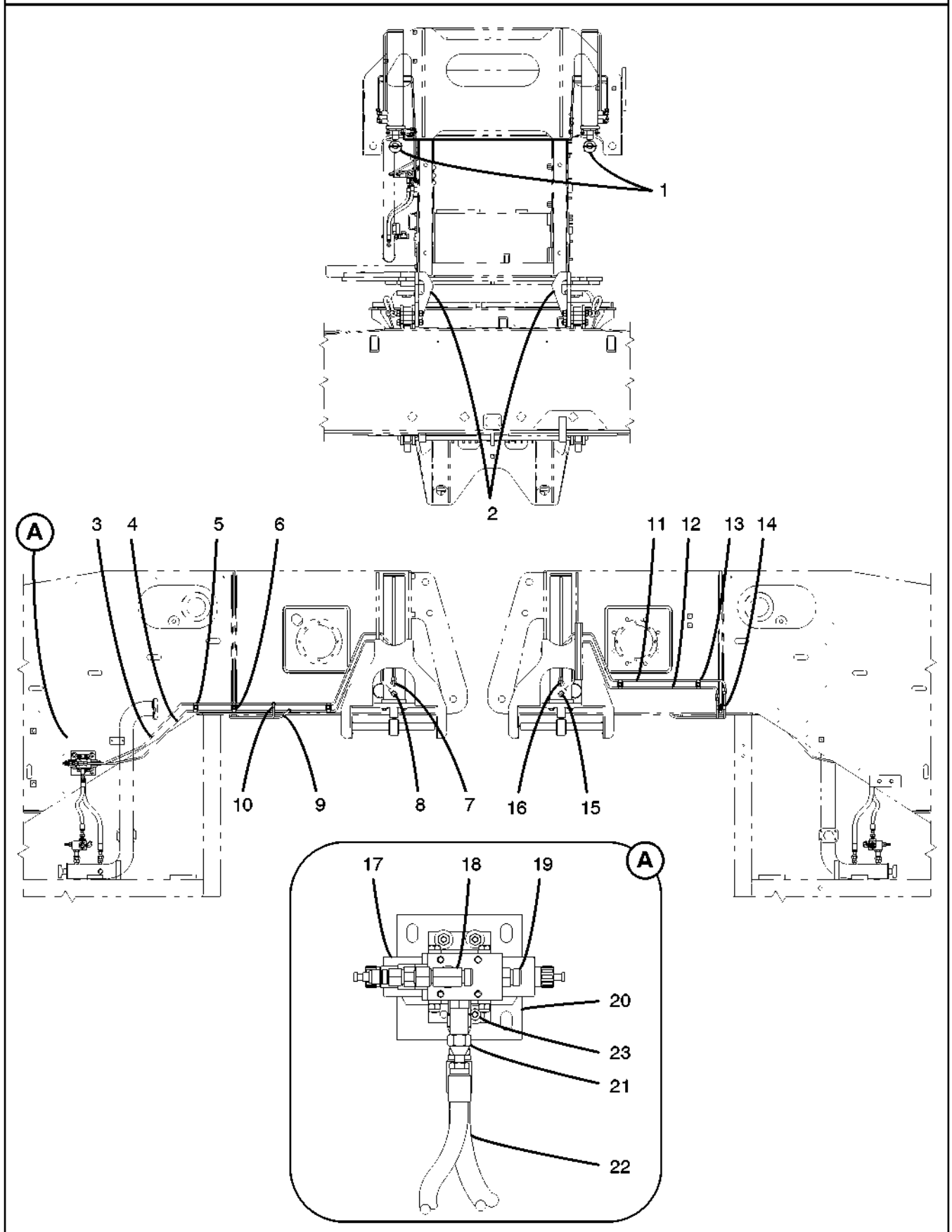


Parts List

1007

| Counterweight Cylinder Assy | | | | |
|-----------------------------|----------|-----|---------------------------------|---------|
| REF | PART NO. | QTY | DESCRIPTION | REMARKS |
| | R3J0096 | 1 | Counterweight Cylinder Assy | |
| 1 | E8J0080 | 1 | Ring, Wear | KA |
| 2 | F7J0267 | 1 | Ring, Piston | KA |
| | 1X 8029 | 1 | O-ring | KA |
| 3 | E8J0080 | 1 | Ring, Wear | KA |
| 4 | R3J0099 | 1 | Piston | |
| 5 | 36J2129 | 1 | Orifice | |
| 6 | 46J0023 | 1 | O-ring | KA |
| 7 | F7J0223 | 1 | Ring, Back Up | KA |
| 8 | R3J0098 | 1 | Gland | |
| 9 | J7J0357 | 1 | Rod, Cylinder | |
| 10 | J7J0373 | 1 | Wiper, Rod | KA |
| 11 | J7J0372 | 1 | Seal, Rod | KA |
| 12 | D6J0365 | 1 | Seal, Step | KA |
| 13 | J7J0371 | 1 | Ring, Wear | KA |
| 14 | R3J0097 | 1 | Case | |
| 15 | 1X 7519 | 1 | O-ring | KA |
| 16 | 1X 4927 | 1 | Locknut | |
| | 3J 18057 | 1 | Kit, Seal – All Items Marked KA | |

Counterweight Removal Plumbing

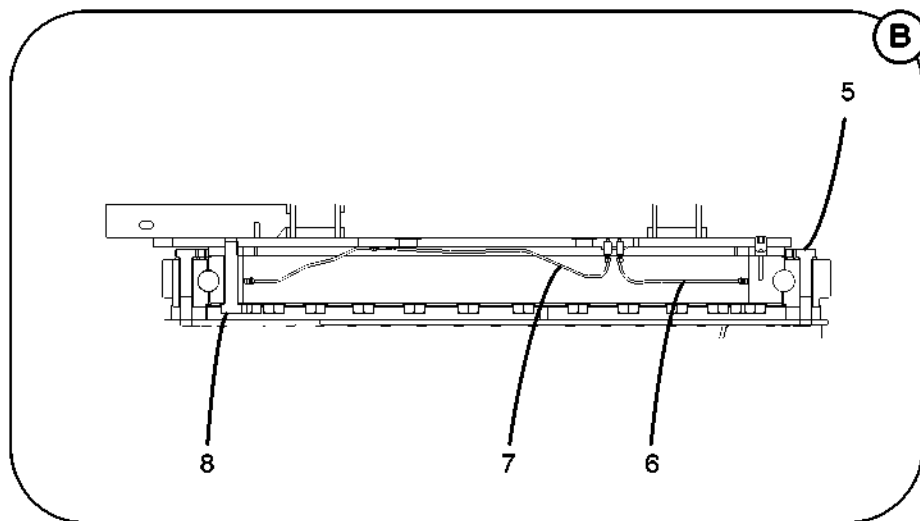
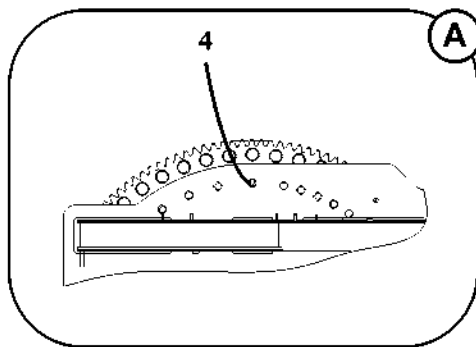
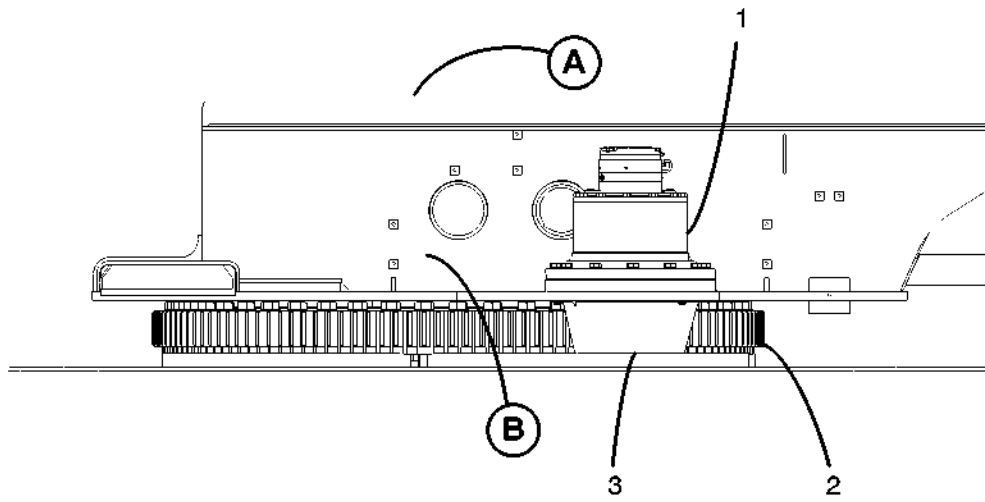


Parts List

1007

| Counterweight Removal Plumbing | | | | | |
|--------------------------------|-----------|-----|--|---------|-----|
| REF | PART NO. | QTY | DESCRIPTION | REMARKS | |
| 1 | REF | 2 | Counterweight Cylinder Assy – See Keysheet 03–010 | | |
| | J7B0075 | 2 | Pin | | |
| | 18M0273 | 2 | Pin, Lock | | |
| | 18A2956 | 8 | Capscrew | | |
| | 128003006 | 8 | Washer | | |
| 2 | R3B0032 | 2 | Bracket, Counterweight Support | | |
| | 126009087 | 8 | Capscrew | | |
| | 128003012 | 16 | Washer | | |
| | 127004008 | 8 | Locknut | | |
| 3 | R3J0183 | 1 | Tube Assy | | |
| 4 | R3J0184 | 1 | Tube Assy | | |
| 5 | 39J0218 | 4 | Clamp | | |
| | 126009099 | 2 | Capscrew | | |
| 6 | 39J0218 | 6 | Clamp | | |
| | 127004003 | 1 | Locknut | | |
| 7 | 1X 7385 | 1 | Elbow | | |
| 8 | 1X 7385 | 1 | Elbow | | |
| 9 | J7J0477 | 1 | Tube Assy | | |
| 10 | J7J0786 | 1 | Tube Assy | | |
| 11 | R3J0186 | 1 | Tube Assy | | |
| 12 | R3J0185 | 1 | Tube Assy | | |
| 13 | 39J0218 | 4 | Clamp | | |
| | 126009099 | 2 | Capscrew | | |
| 14 | 39J0218 | 2 | Clamp | | |
| | 128003004 | 2 | Washer – 1.00" OD | | |
| | 128003006 | 1 | Washer – 1.25" OD | | |
| | 127004003 | 1 | Locknut | | |
| 15 | 1X 7385 | 1 | Elbow | | |
| 16 | 1X 7385 | 1 | Elbow | | |
| | R3J0182 | 1 | Counterweight Valve S/A | | NSS |
| 17 | N4J0175 | 1 | 4 Way Solenoid Valve Assy – See Keysheet 07–003–079.00 | | |
| 18 | D6J0690 | 1 | Disconnect, Quick | | |
| | 1X 7394 | 1 | Tee | | |
| 19 | 1X 7368 | 1 | Connector | | |
| 20 | N4J0164 | 1 | Sheet | | |
| | 126009003 | 3 | Capscrew | | |
| | 128003001 | 6 | Washer | | |
| | 127004001 | 3 | Locknut | | |
| 21 | 65J0445 | 1 | Hose Assy | | |
| | 1X 7379 | 1 | Connector | | |
| | F8J0236 | 1 | Disc, Orifice | | |
| 22 | 65J0565 | 1 | Hose Assy | | |
| | 1X 7370 | 1 | Connector | | |
| 23 | 126009119 | 3 | Capscrew | | |
| | 128003004 | 3 | Washer | | |

Swing Reduction & Turntable Bearing Installation

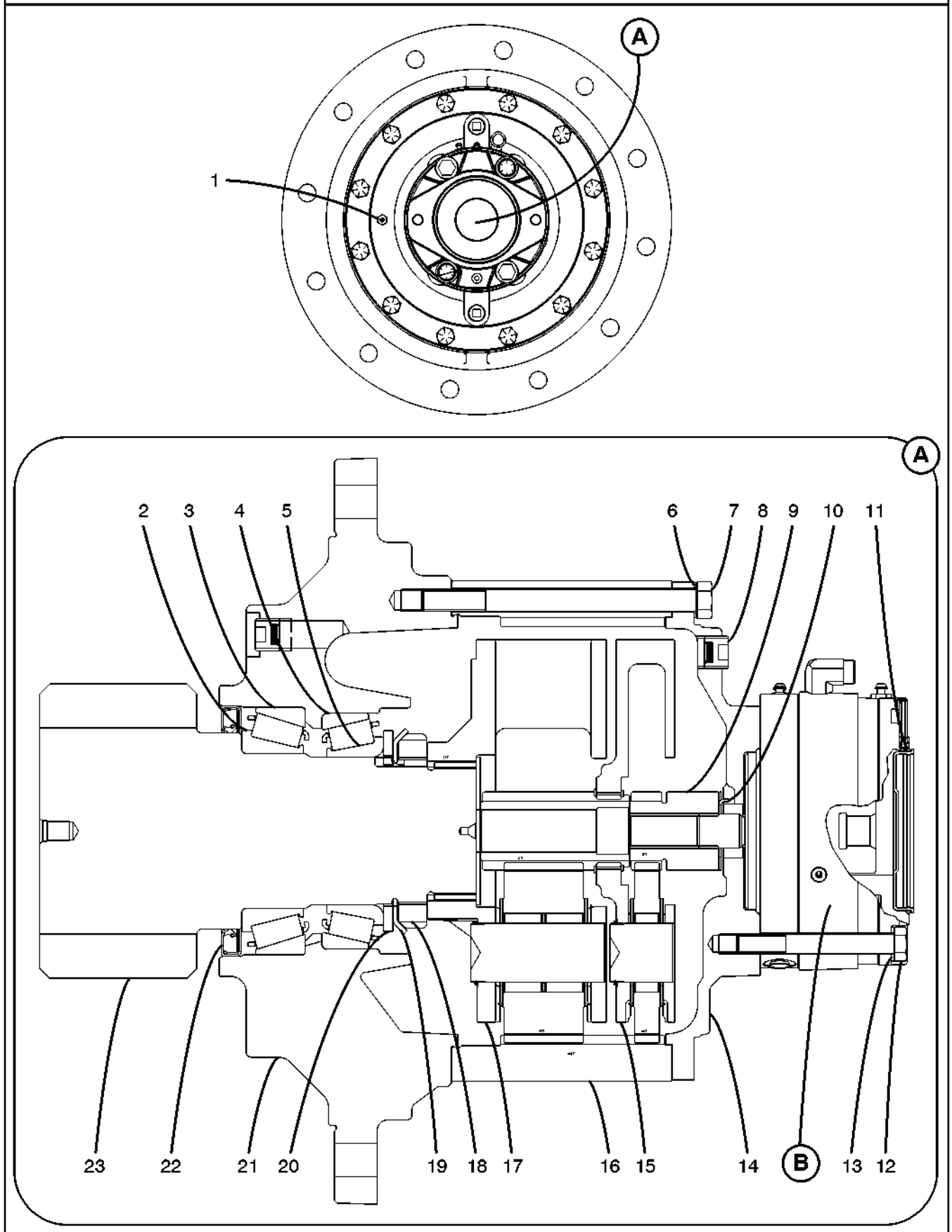


Parts List

0510

| Swing Reduction & Turntable Bearing Installation | | | | |
|--|-----------|-----|---|---------|
| REF | PART NO. | QTY | DESCRIPTION | REMARKS |
| 1 | REF | 1 | Swing Reduction Unit With Pinion Assy – See Keysheet 04–010 | |
| | 1X 5501 | 12 | Capscrew | |
| | 1X 5188 | 12 | Washer | |
| 2 | R3F0001 | 1 | Bearing, Turntable | |
| | 3B 0286 | 76 | Ball | |
| | 3B 0181 | 76 | Spacer | |
| | E2B0276 | 1 | Seal – 32' | |
| | 3B 0288 | 2 | Fitting, Grease | |
| 3 | J7F0006 | 1 | Cover, Pinion | |
| | 126009119 | 3 | Capscrew | |
| | 128003004 | 3 | Washer | |
| 4 | 1X 7740 | 1 | Setscrew | |
| 5 | 1X 5789 | 52 | Capscrew | |
| | 1X 5938 | 52 | Washer | |
| 6 | 810040005 | 1 | Tubing, Air Brake – 1.83' | |
| | 1X 0812 | 1 | Fitting, Grease | |
| | 1X 4772 | 1 | Connector | |
| | 1X 7337 | 1 | Elbow | |
| 7 | 810040005 | 1 | Tubing, Air Brake – 4' | |
| | 1X 0812 | 1 | Fitting, Grease | |
| | 1X 4772 | 1 | Connector | |
| | 1X 7337 | 1 | Elbow | |
| | 1X 6907 | 1 | Clamp | |
| 8 | 126009012 | 1 | Capscrew | |
| | 1X 8325 | 41 | Capscrew | |
| | 1X 5319 | 41 | Washer | |

Swing Reduction Unit With Pinion Assy

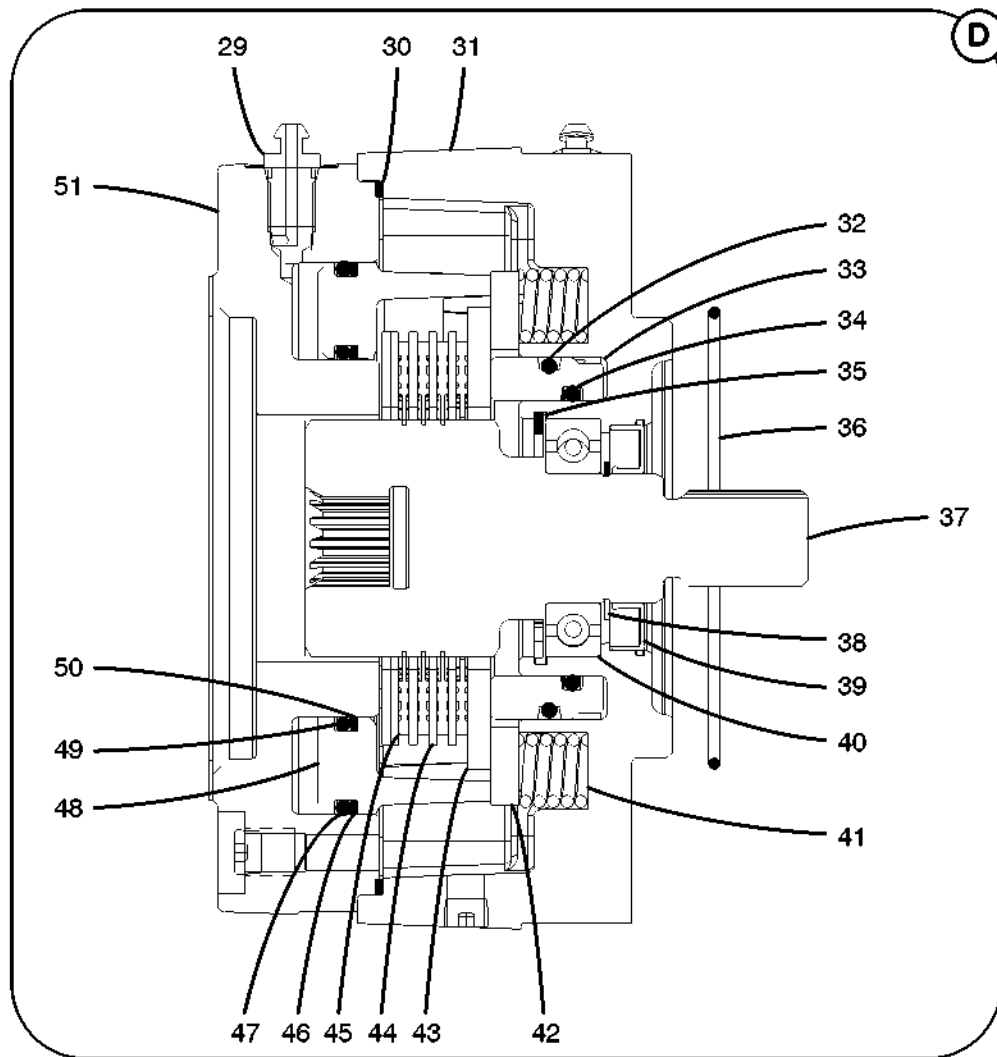
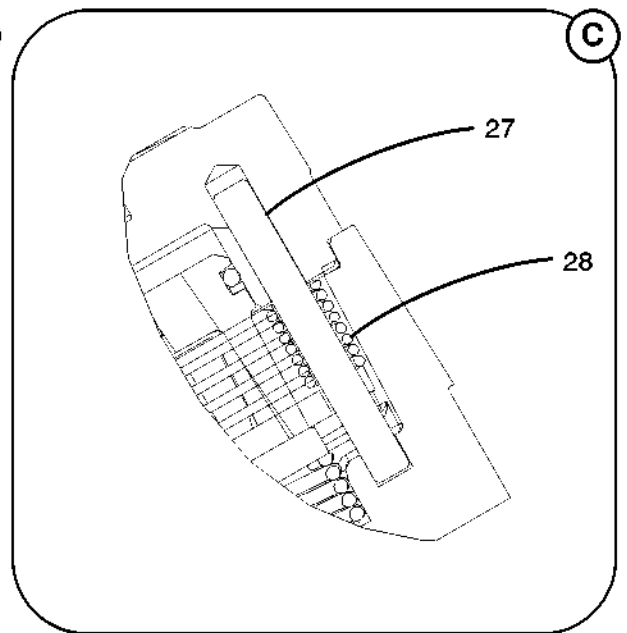
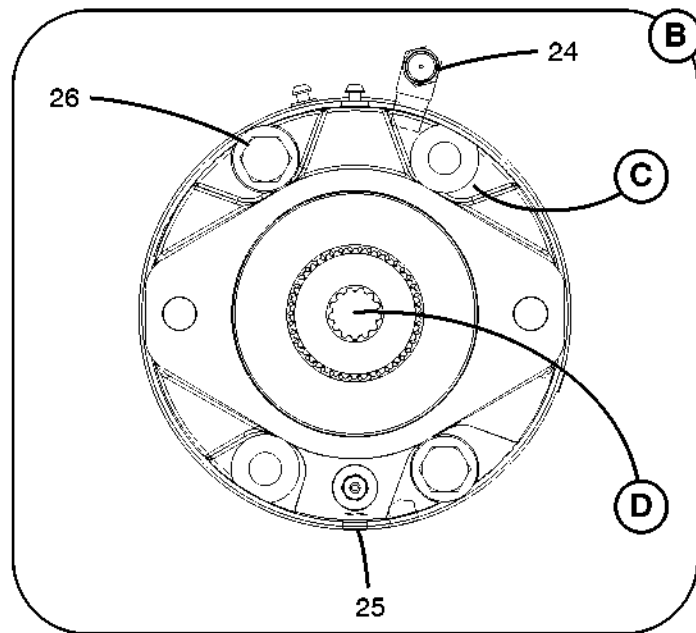


Parts List

0408

| Swing Reduction Unit With Pinion Assy | | | | |
|---------------------------------------|----------|-----|---------------------------------------|---------|
| REF | PART NO. | QTY | DESCRIPTION | REMARKS |
| | N3F0006 | 1 | Swing Reduction Unit With Pinion Assy | |
| 1 | 3F 0729 | 1 | Plug | |
| 2 | 3F 0738 | 1 | Cone, Bearing | |
| 3 | 3F 0739 | 1 | Cup, Bearing | |
| 4 | 3F 0925 | 1 | Cup, Bearing | |
| 5 | 3F 0924 | 1 | Cone, Bearing | |
| 6 | 3F 0737 | 12 | Washer | |
| 7 | 3F 0922 | 12 | Bolt | |
| 8 | 3D 0278 | 3 | Plug | |
| 9 | 3F 0741 | 1 | Gear, Sun | |
| 10 | 3F 0734 | 1 | Washer, Thrust | |
| 11 | 3F 0989 | 1 | O-ring | |
| 12 | 3F 0888 | 2 | Bolt | |
| 13 | 3F 0887 | 2 | Washer | |
| 14 | 3F 0886 | 1 | Cover | |
| 15 | 3F 0921 | 1 | Carrier, Primary | |
| 16 | 3F 0920 | 1 | Gear, Ring | |
| 17 | 3F 0919 | 1 | Carrier, Secondary | |
| 18 | 3F 0918 | 1 | Locknut | |
| 19 | 3F 0917 | 1 | Lockwasher | |
| 20 | 3F 0916 | 1 | Washer, Thrust | |
| 21 | 3F 0923 | 1 | Hub | |
| 22 | 3F 0736 | 1 | Seal, Oil | |
| 23 | 3F 0926 | 1 | Shaft, Output | |
| | 3F 0988 | 1 | Brake Assy | |
| 24 | 3F 0997 | 1 | Elbow | |
| 25 | 3F 0912 | 2 | Plug | |
| 26 | 3F 0891 | 2 | Bolt | |
| | 3F 0890 | 2 | Washer | |
| 27 | 3F 0911 | 4 | Pin, Torque | |
| 28 | 3F 0910 | 2 | Spring | |
| 29 | 3D 0197 | 2 | Bleeder | |
| 30 | 3F 0893 | 1 | Gasket | |
| 31 | 3F 0894 | 1 | Housing | |
| 32 | 3F 0895 | 1 | O-ring | |
| 33 | 3F 0896 | 1 | Piston | |
| 34 | 3F 0897 | 1 | O-ring | |
| 35 | 3F 0898 | 1 | Ring, Retaining | |
| 36 | 3F 0996 | 1 | O-ring | |
| 37 | 3F 0899 | 1 | Shaft | |
| 38 | 3F 0900 | 1 | Ring, Retaining | |
| 39 | 3F 0994 | 1 | Seal, Oil | |
| | 3F 0995 | 1 | Ring, Retaining | |
| 40 | 3F 0902 | 1 | Bearing, Ball | |
| 41 | 3F 0903 | 15 | Spring | |
| 42 | 3F 0905 | 1 | Disc, Primary | |
| 43 | 3F 0906 | 1 | Disc, Primary Service | |
| 44 | 3F 0907 | 5 | Disc, Stationary | |
| 45 | 3F 0908 | 4 | Disc, Rotating | |
| 46 | 3J 9499 | 1 | Ring, Back Up | |
| 47 | 3J 9500 | 1 | O-ring | |

Swing Reduction Unit With Pinion Assy

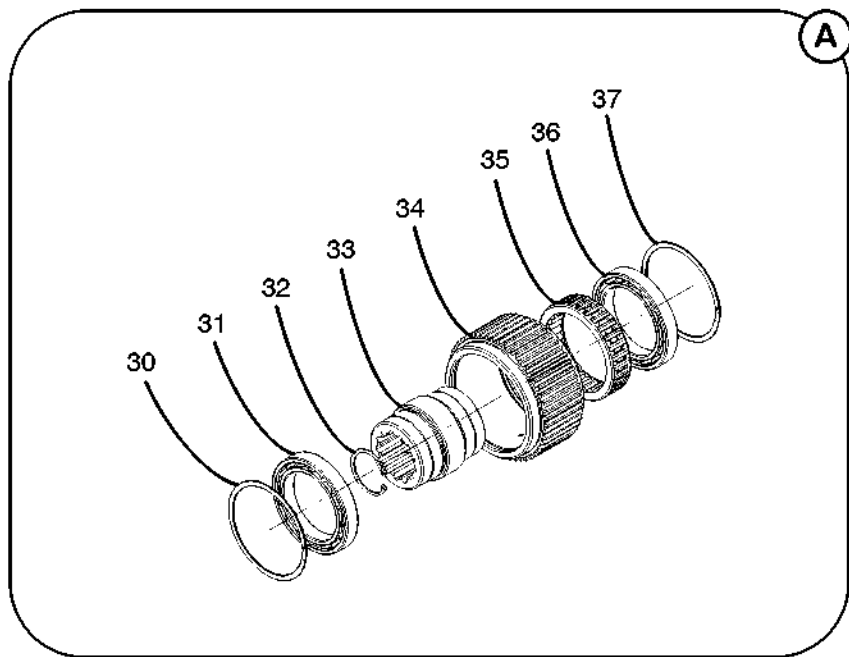
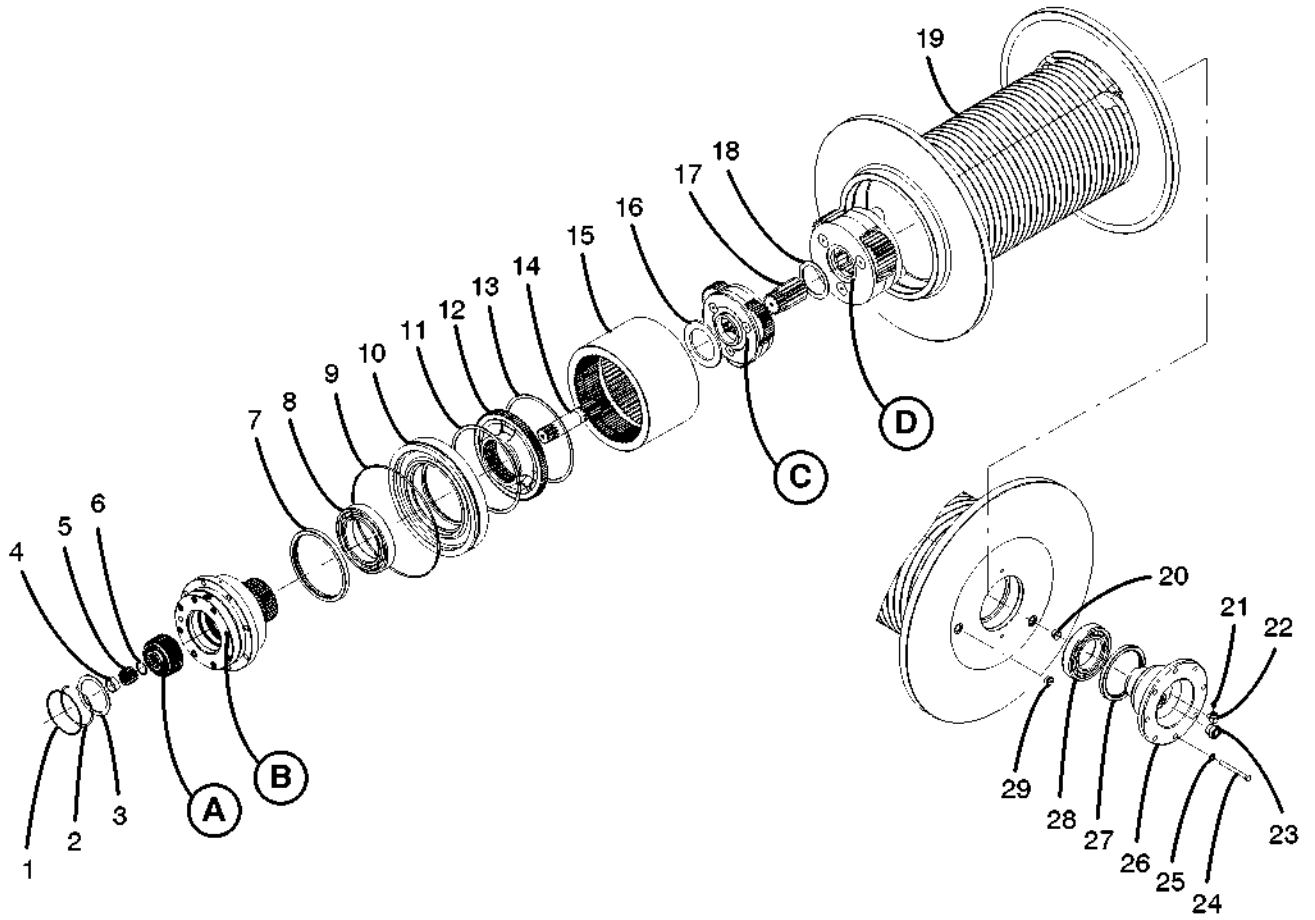


Parts List

0408

| Swing Reduction Unit With Pinion Assy | | | | |
|---------------------------------------|----------|-----|---------------|---------|
| REF | PART NO. | QTY | DESCRIPTION | REMARKS |
| 48 | 3F 0909 | 1 | Piston | |
| 49 | 3J 9498 | 1 | O-ring | |
| 50 | 3J 9497 | 1 | Ring, Back Up | |
| 51 | 3F 0892 | 1 | Plate, Power | |

Winch Assy

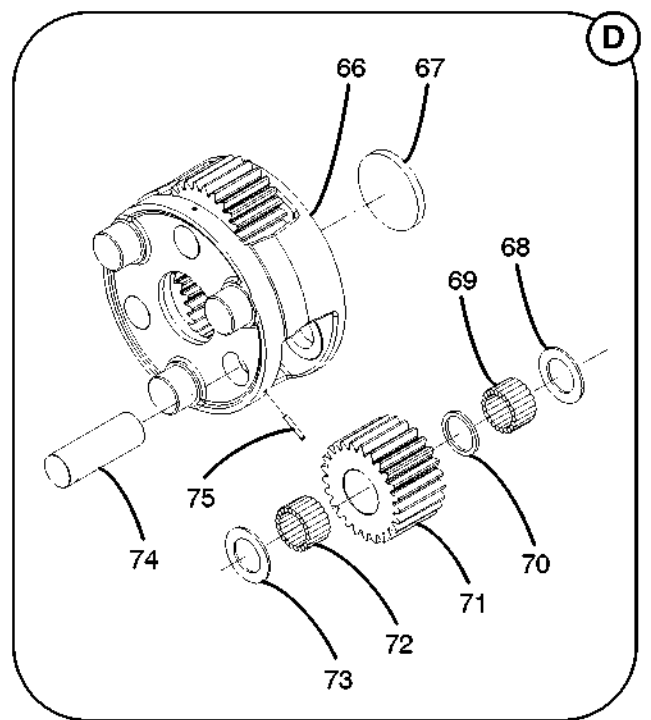
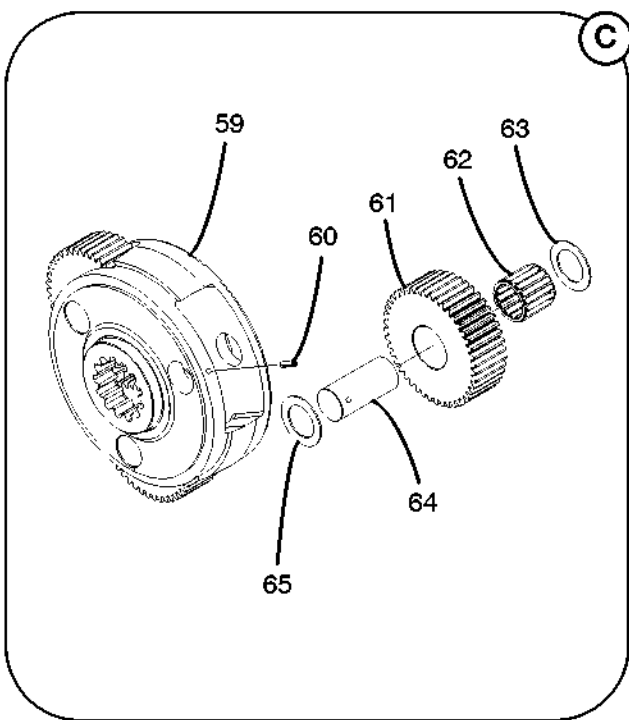
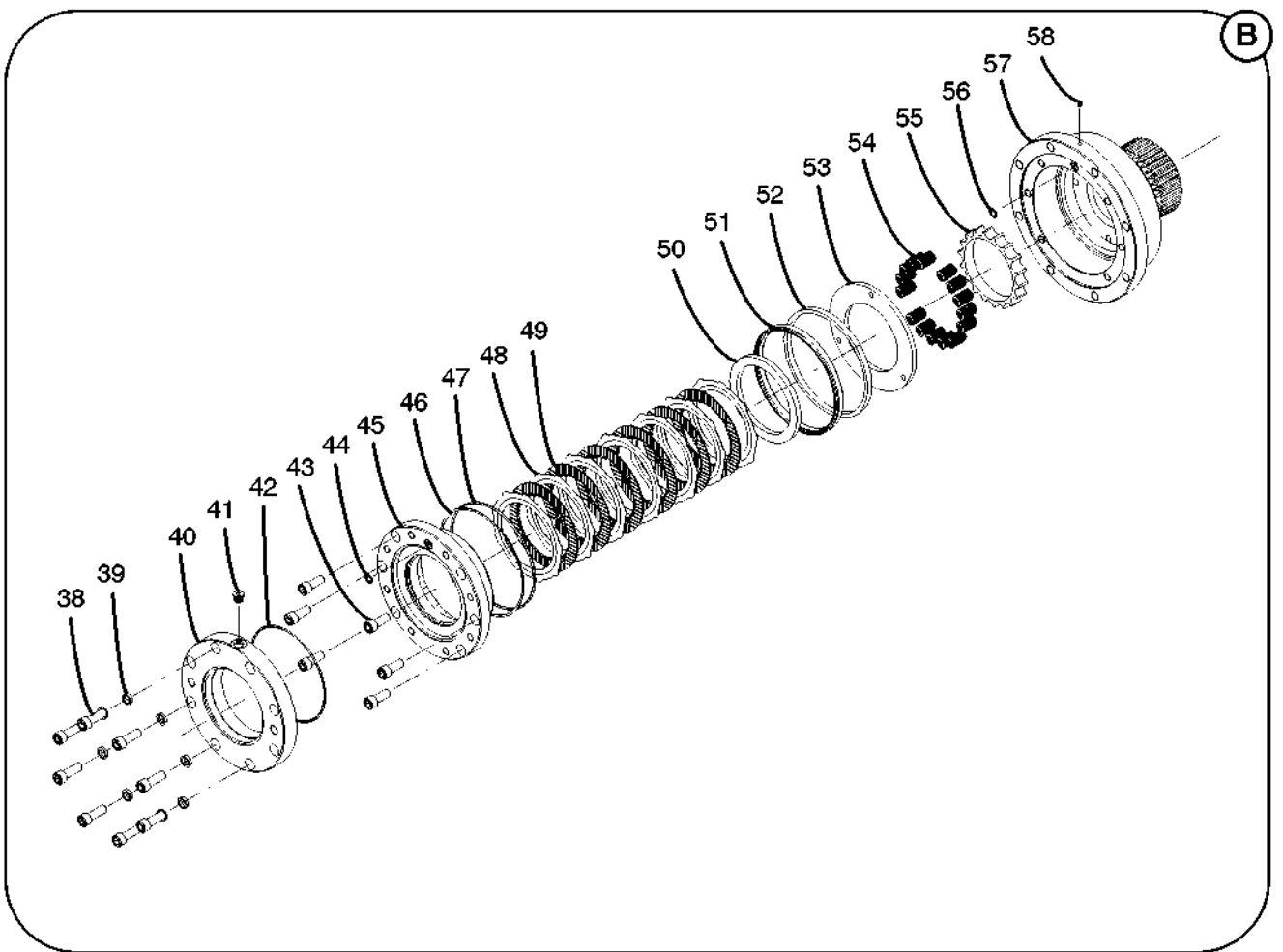


Parts List

1001

| Winch Assy | | | | |
|------------|----------|-----|--------------------------|---------|
| REF | PART NO. | QTY | DESCRIPTION | REMARKS |
| | J7D0001 | 1 | Winch Assy | |
| 1 | 3J 7064 | 1 | O-ring | |
| 2 | 3D 1582 | 1 | Ring, Retaining | |
| 3 | 3D 1581 | 1 | Washer | |
| 4 | 3D 1584 | 1 | Spacer | |
| 5 | 3D 1583 | 1 | Adaptor | |
| 6 | 3D 1550 | 1 | Ring, Retaining | |
| 7 | 3D 1579 | 1 | Seal | |
| 8 | 3D 0342 | 1 | Bearing, Ball | |
| 9 | 3D 1578 | 1 | O-ring | |
| 10 | 3D 1610 | 1 | Closure, Drum | |
| 11 | 3D 1570 | 1 | Ring, Retaining | |
| 12 | 3D 1572 | 1 | Adaptor, Ring Gear | |
| 13 | 3D 1570 | 1 | Ring, Retaining | |
| 14 | 3D 1573 | 1 | Gear, Primary Sun | |
| 15 | 3D 1571 | 1 | Gear, Ring | |
| 16 | 3D 0978 | 1 | Washer, Thrust | |
| 17 | 3D 1575 | 1 | Gear, Output Sun | |
| 18 | 3D 1577 | 1 | Washer, Thrust | |
| 19 | 3D 1576 | 1 | Drum, Cable | |
| 20 | 3J 11392 | 1 | Plug | |
| 21 | 3D 0841 | 1 | Plug, Vent | |
| 22 | 3D 0456 | 1 | Elbow | |
| 23 | 3D 0967 | 1 | Gauge, Sight | |
| 24 | 3D 0988 | 2 | Capscrew | |
| 25 | 3D 0989 | 2 | Washer | |
| 26 | 3D 0965 | 1 | Support, Drum | |
| 27 | 3D 0346 | 1 | Seal | |
| 28 | 3D 0343 | 1 | Bearing, Ball | |
| 29 | 3J 11392 | 1 | Plug | |
| | 3D 1566 | 1 | Over-running Clutch Assy | |
| 30 | 3D 1586 | 1 | Ring, Retaining | |
| 31 | 3D 1585 | 1 | Bearing, Ball | |
| 32 | 3D 1550 | 1 | Ring, Retaining | |
| 33 | REF | 1 | Race, Inner | NSS |
| 34 | REF | 1 | Race, Outer | NSS |
| 35 | REF | 1 | Clutch, Over-running | NSS |
| 36 | 3D 1585 | 1 | Bearing, Ball | |
| 37 | 3D 1586 | 1 | Ring, Retaining | |
| | 3D 1567 | 1 | Brake Cylinder Assy | |
| 38 | 3D 0980 | 8 | Capscrew | |
| 39 | 3D 0966 | 8 | Lockwasher | |
| 40 | 3D 1598 | 1 | Adaptor, Motor | |
| 41 | 3D 1011 | 1 | Plug | |
| 42 | 3D 0969 | 1 | O-ring | |
| 43 | 3D 1021 | 6 | Capscrew | |
| 44 | 3D 1220 | 1 | O-ring | |
| 45 | 3D 1588 | 1 | Pilot, Brake Cylinder | |

Winch Assy

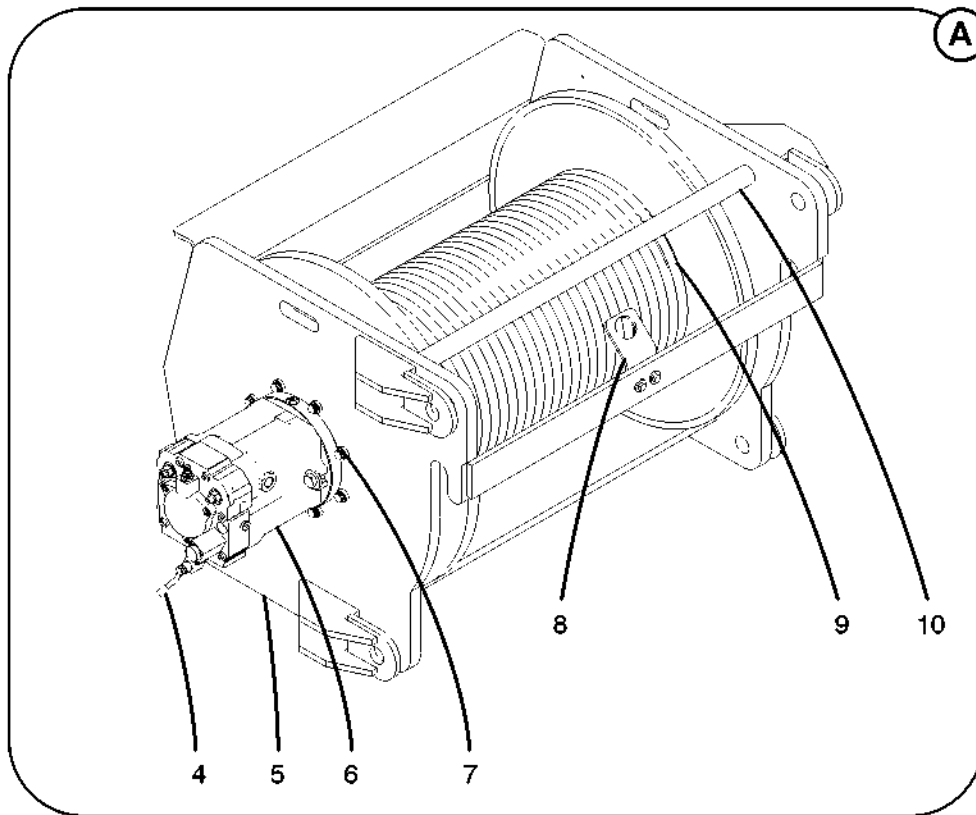
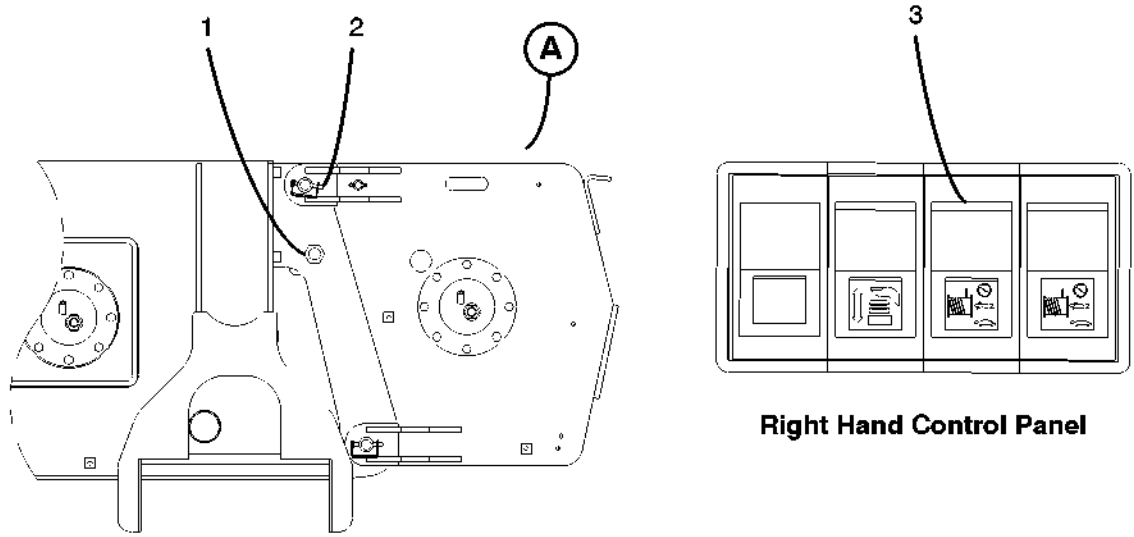


Parts List

1001

| Winch Assy | | | | |
|------------|----------|-----|-----------------------------|---------|
| REF | PART NO. | QTY | DESCRIPTION | REMARKS |
| 46 | 3D 1596 | 1 | Ring, Back Up | |
| 47 | 3D 1494 | 1 | O-ring | |
| 48 | 3D 1589 | 7 | Disc, Brake | |
| 49 | 3D 1590 | 6 | Disc, Friction | |
| 50 | 3D 1594 | 1 | Spacer, Brake Plate | |
| 51 | 3D 1591 | 1 | Seal | |
| 52 | 3D 1592 | 1 | Ring, Back Up | |
| 53 | 3D 1593 | 1 | Plate, Pressure | |
| 54 | 3D 0726 | 15 | Spring | |
| 55 | 3D 1595 | 1 | Spacer, Spring | |
| 56 | 3D 1220 | 1 | O-ring | |
| 57 | 3D 1587 | 1 | Cylinder, Brake | |
| 58 | 3D 1597 | 1 | Plug | |
| | 3D 1568 | 1 | Primary Planet Carrier Assy | |
| 59 | 3D 1599 | 1 | Carrier, Primary Planet | |
| 60 | 3D 0333 | 3 | Pin, Spirol | |
| 61 | 3D 1600 | 3 | Gear, Primary Planet | |
| 62 | 3D 1602 | 3 | Bearing, Roller | |
| 63 | 3J 11377 | 3 | Washer, Thrust | |
| 64 | 3D 1601 | 3 | Shaft, Primary Planet Gear | |
| 65 | 3J 11377 | 3 | Washer, Thrust | |
| | 3D 1569 | 1 | Output Planet Carrier Assy | |
| 66 | 3D 1603 | 1 | Carrier, Output Planet | |
| 67 | 3D 1609 | 1 | Plate, Thrust | |
| 68 | 3D 1606 | 3 | Washer, Thrust | |
| 69 | 3D 1607 | 66 | Roller | |
| 70 | 3D 1608 | 3 | Spacer, Bearing | |
| 71 | 3D 1604 | 3 | Gear, Output Planet | |
| 72 | 3D 1607 | 66 | Roller | |
| 73 | 3D 1606 | 3 | Washer, Thrust | |
| 74 | 3D 1605 | 3 | Shaft, Output Planet Gear | |
| 75 | 3D 0484 | 3 | Pin, Spirol | |

Rear Winch Installation

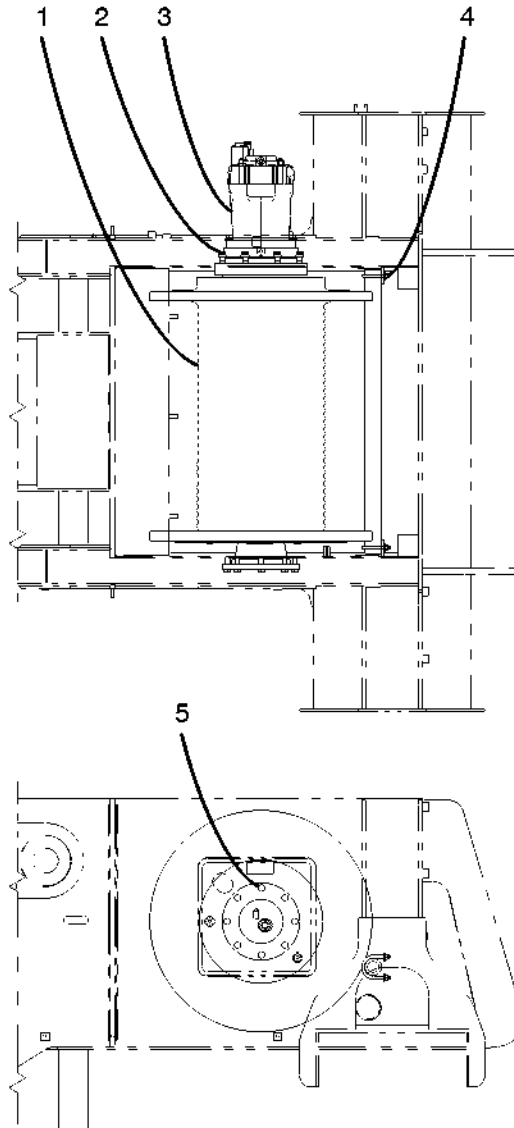


Parts List

0310

| Rear Winch Installation | | | | |
|-------------------------|-----------|-----|--|---------|
| REF | PART NO. | QTY | DESCRIPTION | REMARKS |
| 1 | D7B0047 | 2 | Pin | NSS |
| 2 | J7D0027 | 4 | Pin | |
| | 18M0273 | 8 | Pin, Lock | |
| 3 | C5A1558 | 1 | Switch | |
| | N3R0056 | 1 | Lens, Winch Control | |
| 4 | E1R0041 | 1 | Harness, Solenoid Wire | |
| | E1R0043 | 1 | Gasket | |
| | R3D0002 | 1 | Rear Winch S/A | |
| 5 | J7D0009 | 1 | Frame, Winch | |
| 6 | REF | 1 | Winch Motor Assy – See Keysheet 07–006 | |
| | 1X 6924 | 2 | Capscrew | |
| | 1X 5000 | 2 | Washer | |
| 7 | 1X 4593 | 8 | Capscrew | |
| 8 | J7D0015 | 1 | Plate | |
| | 126009015 | 2 | Capscrew | |
| | 128003004 | 4 | Washer | |
| | 127004003 | 2 | Locknut | |
| 9 | REF | 1 | Winch Assy – See Keysheet 05–006 | |
| | 18A2955 | 8 | Capscrew | |
| 10 | J7D0029 | 1 | Tube | |
| | J7D0028 | 1 | Pin | |
| | 150007005 | 1 | Pin, Cotter | |

Front Winch Installation

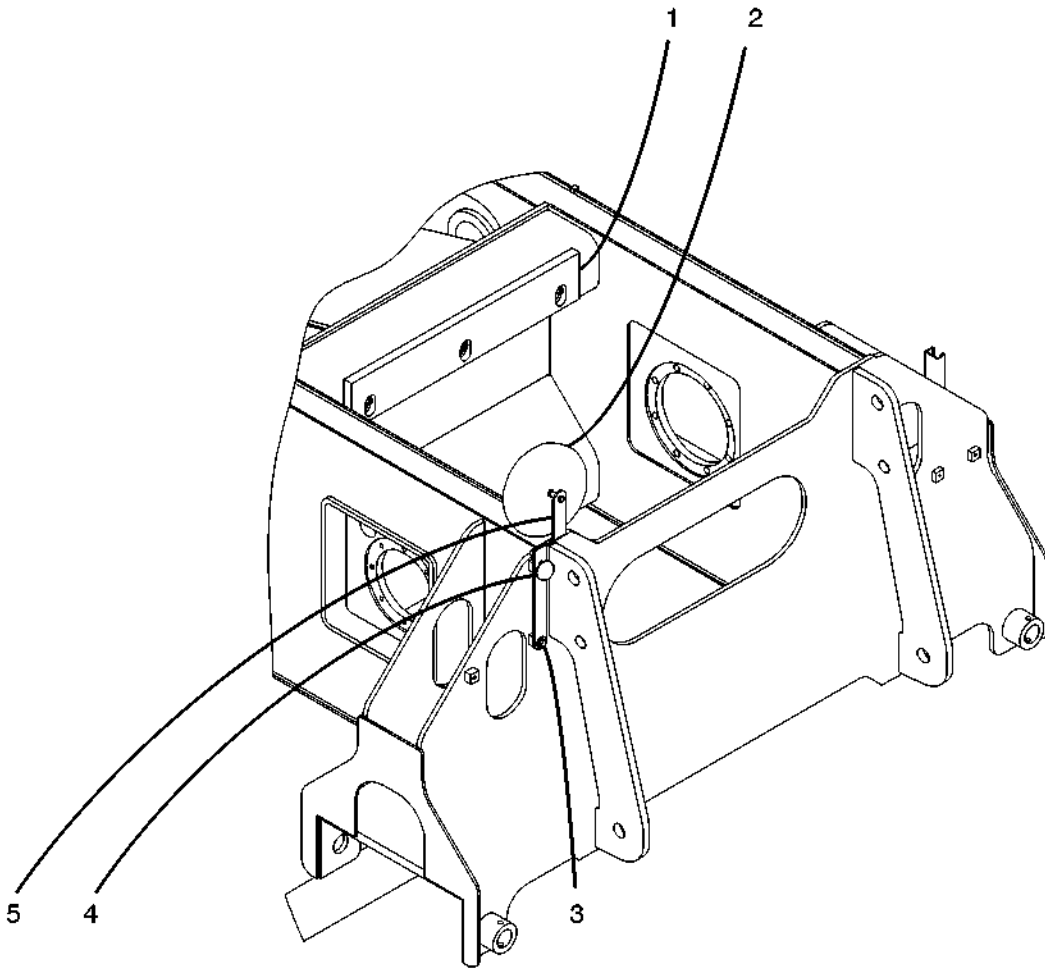


Parts List

0907

| Front Winch Installation | | | | |
|--------------------------|-----------|-----|--|---------|
| REF | PART NO. | QTY | DESCRIPTION | REMARKS |
| 1 | REF | 1 | Winch Assy – See Keysheet 05–006 | |
| 2 | 1X 4593 | 8 | Capscrew | |
| 3 | REF | 1 | Winch Motor Assy – See Keysheet 07–006 | |
| | 1X 6924 | 2 | Capscrew | |
| | 1X 5000 | 2 | Washer | |
| 4 | R3D0004 | 1 | Tube | |
| | J2L0021 | 2 | U–Bolt | |
| | 128003004 | 4 | Washer | |
| | 127004003 | 4 | Locknut | |
| 5 | 18A2955 | 8 | Capscrew | |

Front Winch Mirror & Deflector Installation



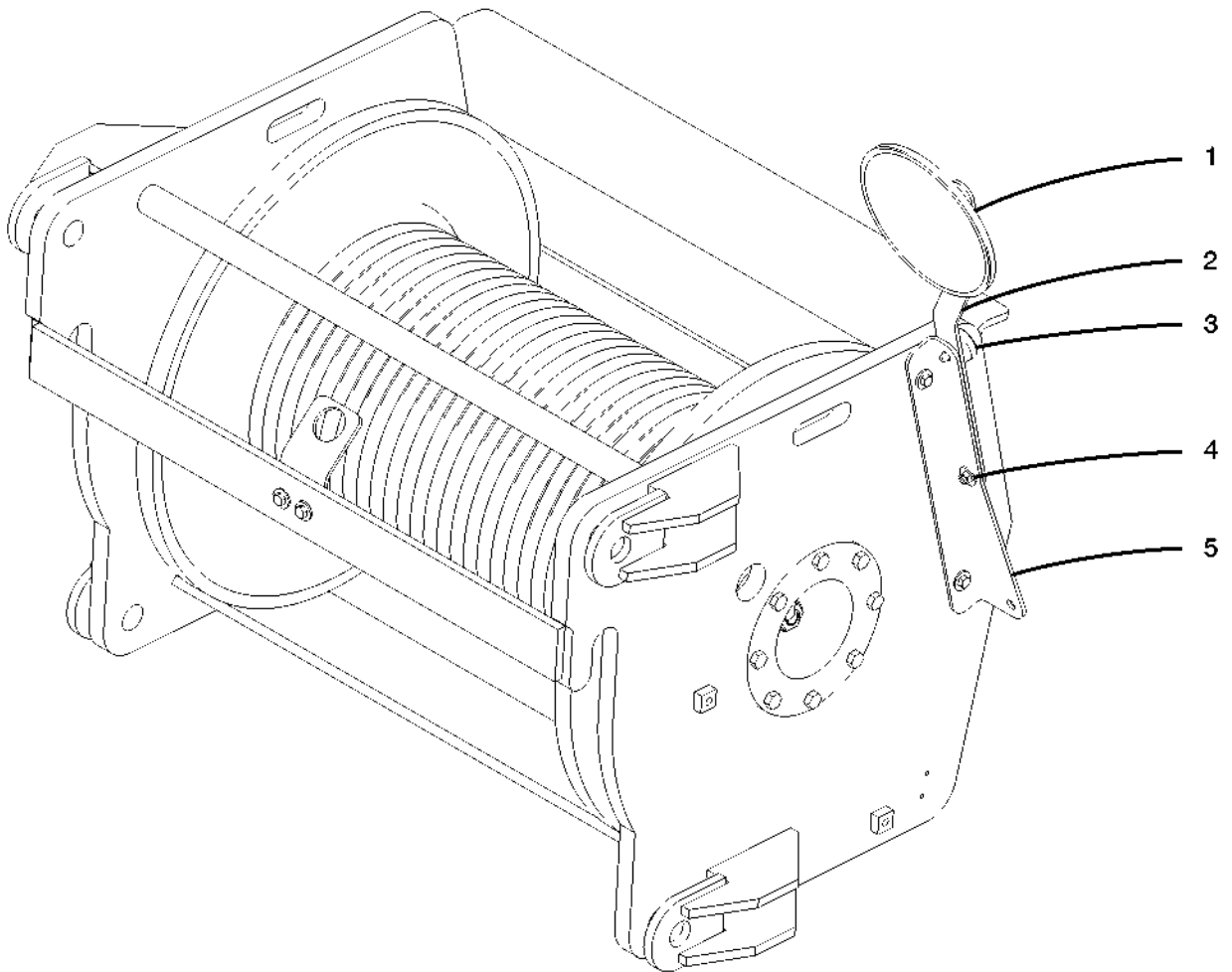
Parts List

0802

Front Winch Mirror & Deflector Installation

| REF | PART NO. | QTY | DESCRIPTION | REMARKS |
|-----|-----------|-----|----------------|---------|
| 1 | J7B0263 | 1 | Pad, Wear | |
| | 128003003 | 3 | Washer | |
| | 127004003 | 3 | Locknut | |
| 2 | 53A0455 | 1 | Mirror, Convex | |
| 3 | 126009013 | 1 | Capscrew | |
| | 46L0026 | 2 | Washer, Nylon | |
| | 128003004 | 1 | Washer | |
| 4 | J7A0576 | 1 | Knob | |
| 5 | J7A0568 | 1 | Bracket | |

Winch Mirror Installation

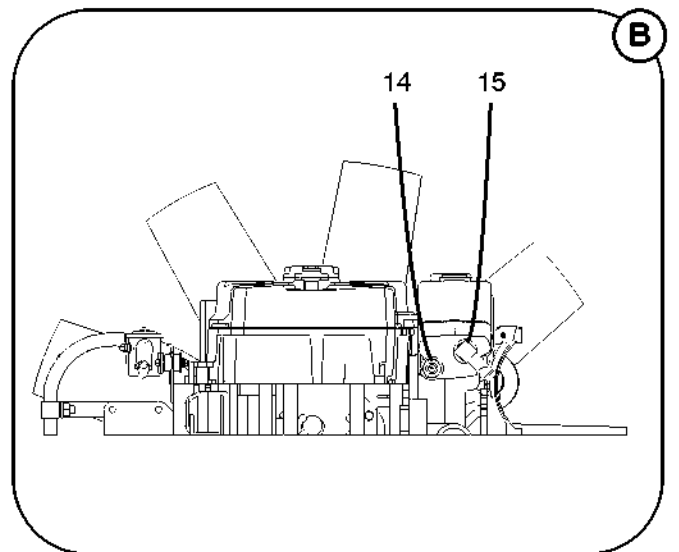
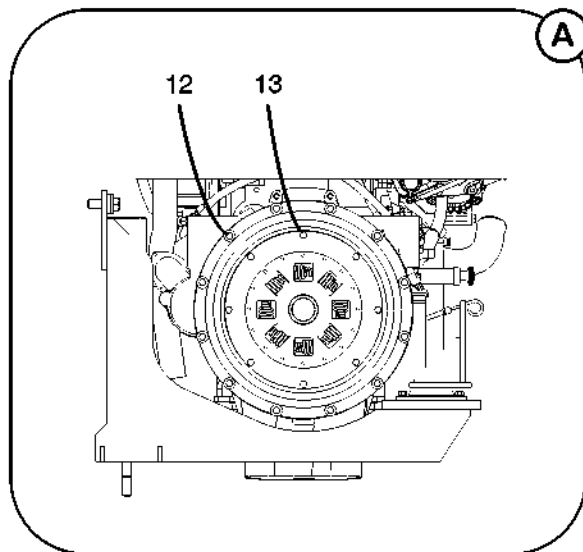
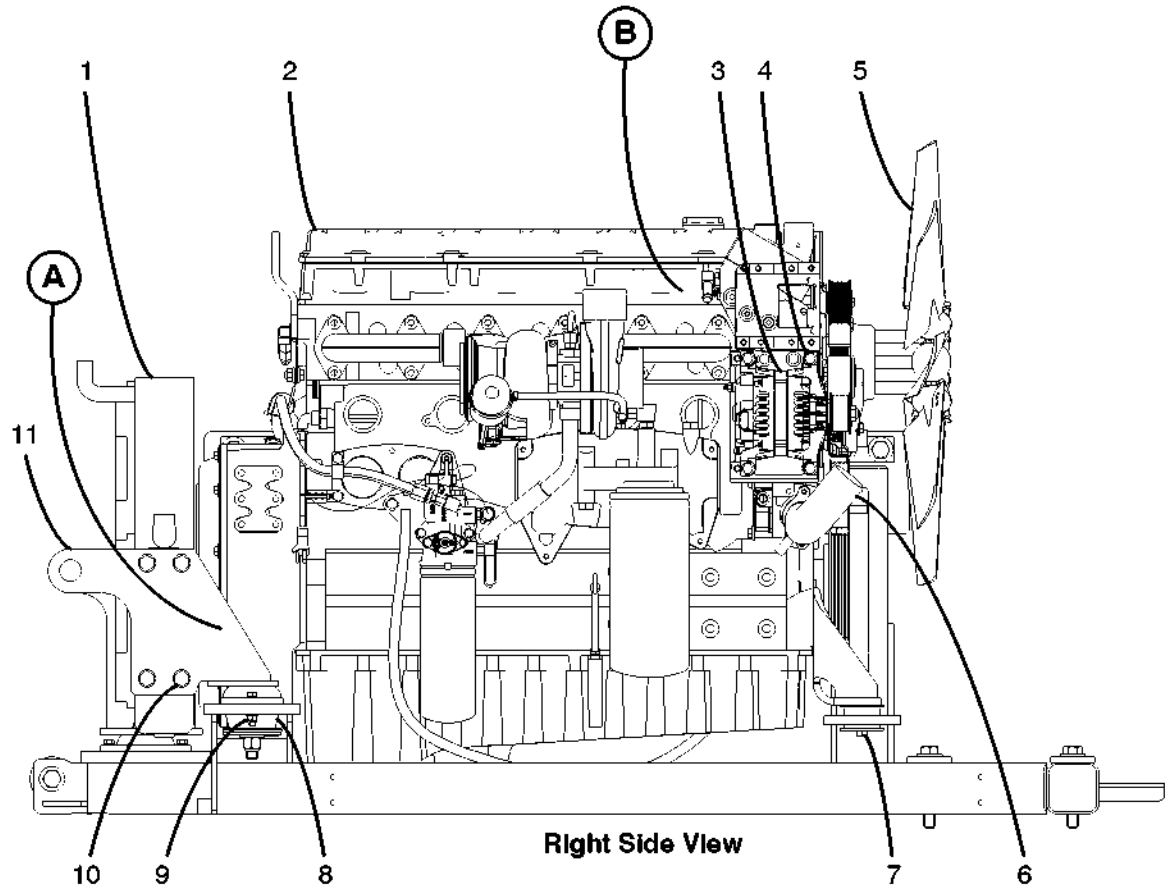


Parts List

0910

| Winch Mirror Installation | | | | |
|---------------------------|-----------|-----|-----------------|---------|
| REF | PART NO. | QTY | DESCRIPTION | REMARKS |
| 1 | 53A0455 | 1 | Mirror | |
| 2 | J7A0568 | 1 | Bracket | |
| 3 | J7A0576 | 1 | Knob | |
| 4 | 126009013 | 1 | Capscrew | |
| | 46L0026 | 2 | Washer, Nylon | |
| | 128003004 | 1 | Washer | |
| 5 | J7D0035 | 1 | Bracket, Mirror | |
| | 126009013 | 2 | Capscrew | |
| | 128003004 | 2 | Washer | |

Engine & Pump Drive Installation

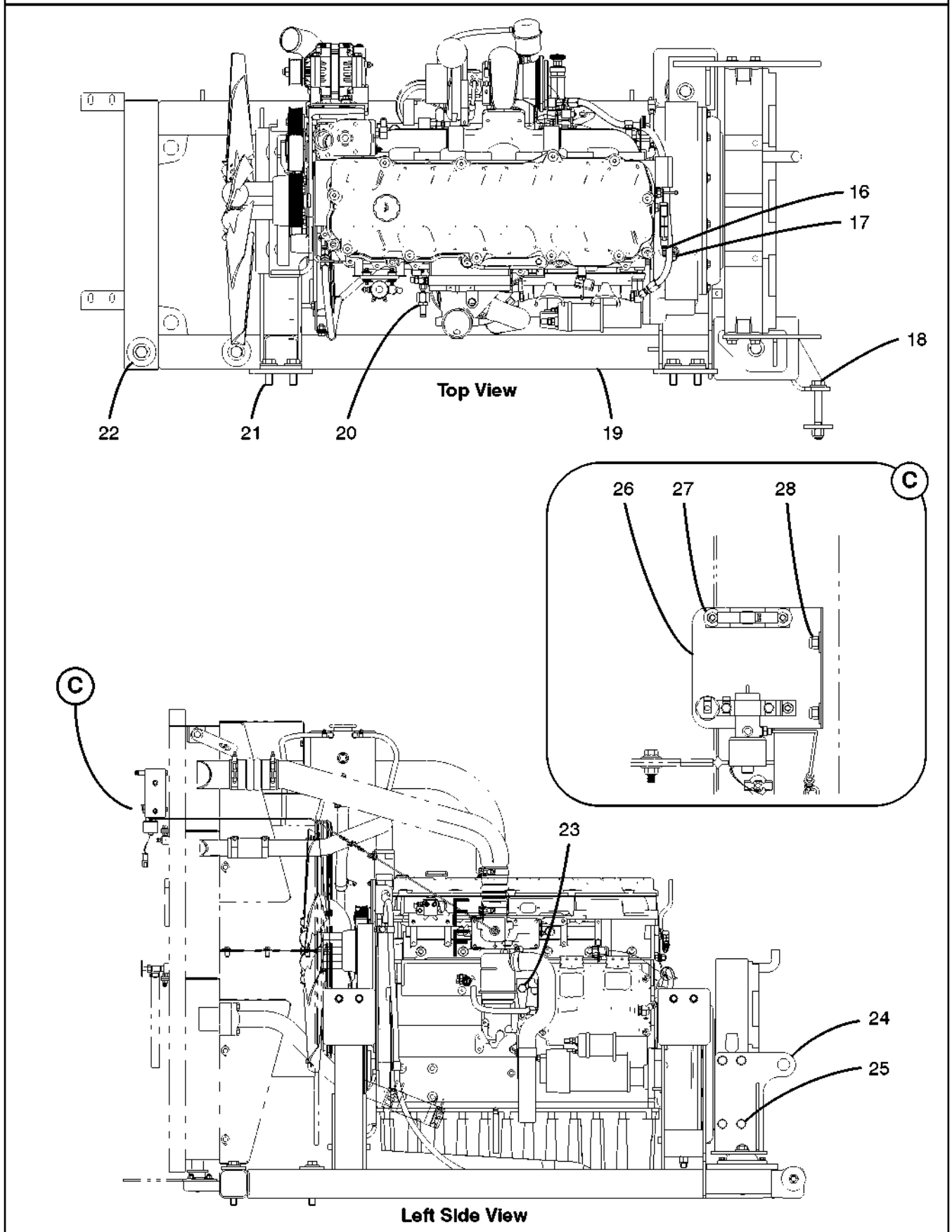


Parts List

0509

| Engine & Pump Drive Installation | | | | |
|----------------------------------|-----------|-----|---------------------------------------|---------|
| REF | PART NO. | QTY | DESCRIPTION | REMARKS |
| 1 | REF | 1 | Pump Drive Assy – See Keysheet 07–005 | |
| 2 | REF | 1 | Engine | |
| 3 | P9A0167 | 1 | Alternator | |
| 4 | 126004084 | 4 | Capscrew | |
| | 128001002 | 4 | Washer | |
| 5 | R3H0017 | 1 | Fan | |
| | 126004137 | 6 | Capscrew | |
| | 128002006 | 6 | Washer | |
| 6 | R3H0019 | 1 | Tube, Water Pump | |
| 7 | 65A0128 | 2 | Mount | |
| | 1X 6221 | 2 | Capscrew | |
| | 17H0159 | 4 | Spacer | |
| | 128003006 | 2 | Washer | |
| | 1X 4987 | 2 | Locknut | |
| 8 | F2A0029 | 2 | Damper, Vibration | |
| | 1X 4084 | 2 | Capscrew | |
| | F2A0037 | 4 | Shim | |
| | 8A 6586 | 2 | Washer, Rebound | |
| | 128003009 | 4 | Washer | |
| | 1X 4989 | 2 | Locknut | |
| 9 | 1X 7064 | 4 | Capscrew | |
| | 128003005 | 8 | Washer | |
| | 1X 6952 | 4 | Locknut | |
| 10 | 126004048 | 4 | Capscrew | |
| | 128002009 | 4 | Washer | |
| 11 | J7H0113 | 1 | Bracket, Right Side | |
| 12 | 18A2816 | 12 | Capscrew | |
| | 128003004 | 12 | Washer | |
| 13 | J7H0005 | 1 | Coupling, Torsion | |
| | 1X 6479 | 8 | Capscrew | |
| 14 | R3R0021 | 1 | Sender, Temperature | |
| | 23K0023 | 1 | O–ring | |
| 15 | 1X 8203 | 1 | Stem, Hose | |

Engine & Pump Drive Installation

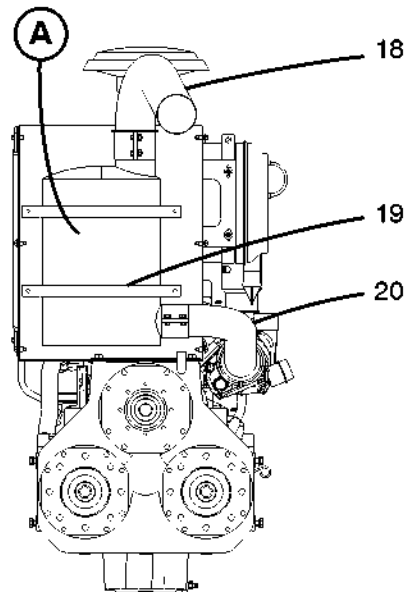
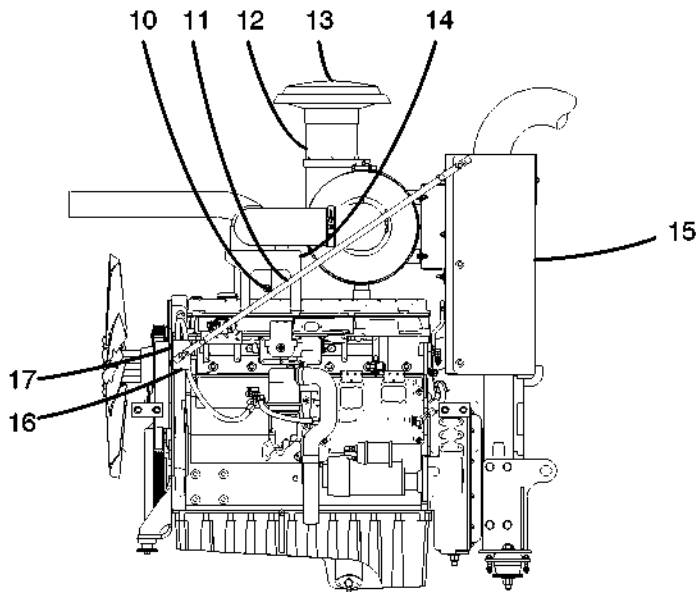
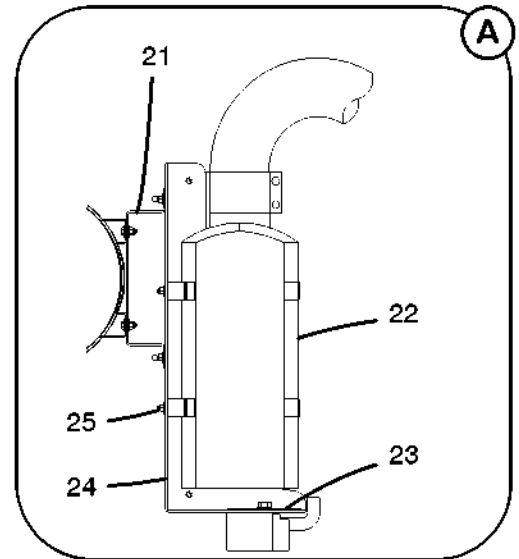
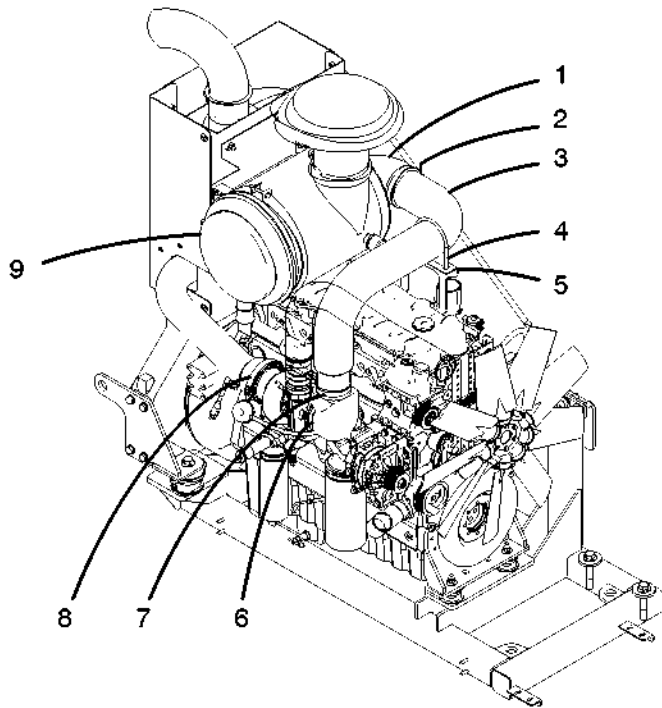


Parts List

0509

| Engine & Pump Drive Installation | | | | |
|----------------------------------|-----------|-----|--------------------|---------|
| REF | PART NO. | QTY | DESCRIPTION | REMARKS |
| 16 | 13H0531 | 1 | Barb, Hose | |
| 17 | F2R0026 | 1 | Sensor, Magnetic | |
| 18 | 1X 4084 | 1 | Capscrew | |
| | 128003009 | 1 | Washer – 1.5" Dia | |
| | NR 0867 | 1 | Washer – 3" Dia | |
| | 1X 4989 | 1 | Locknut | |
| 19 | R3H0008 | 1 | Frame, Engine | |
| 20 | 1X 5244 | 1 | Stem, Hose | |
| | 1X 6460 | 1 | Adaptor | |
| 21 | J7H0054 | 2 | Bar | |
| | 1X 6928 | 4 | Capscrew | |
| | 128003009 | 4 | Washer | |
| 22 | 1X 6244 | 2 | Capscrew | |
| | 128003009 | 2 | Washer – 1.5" Dia | |
| | NR 0867 | 2 | Washer – 3" Dia | |
| 23 | J6R0055 | 1 | Switch, Pressure | |
| | 1X 5171 | 1 | Connector | |
| | 1X 2230 | 1 | Bushing, Pipe | |
| 24 | J7H0111 | 1 | Bracket, Left Side | |
| 25 | 126004048 | 4 | Capscrew | |
| | 128002009 | 4 | Washer | |
| 26 | R3H0032 | 1 | Bracket | |
| 27 | 126009095 | 4 | Capscrew | |
| | 128003002 | 6 | Washer | |
| | 127004002 | 4 | Locknut | |
| 28 | 128003004 | 2 | Washer | |
| | 127004003 | 2 | Locknut | |

Air Intake & Exhaust Installation

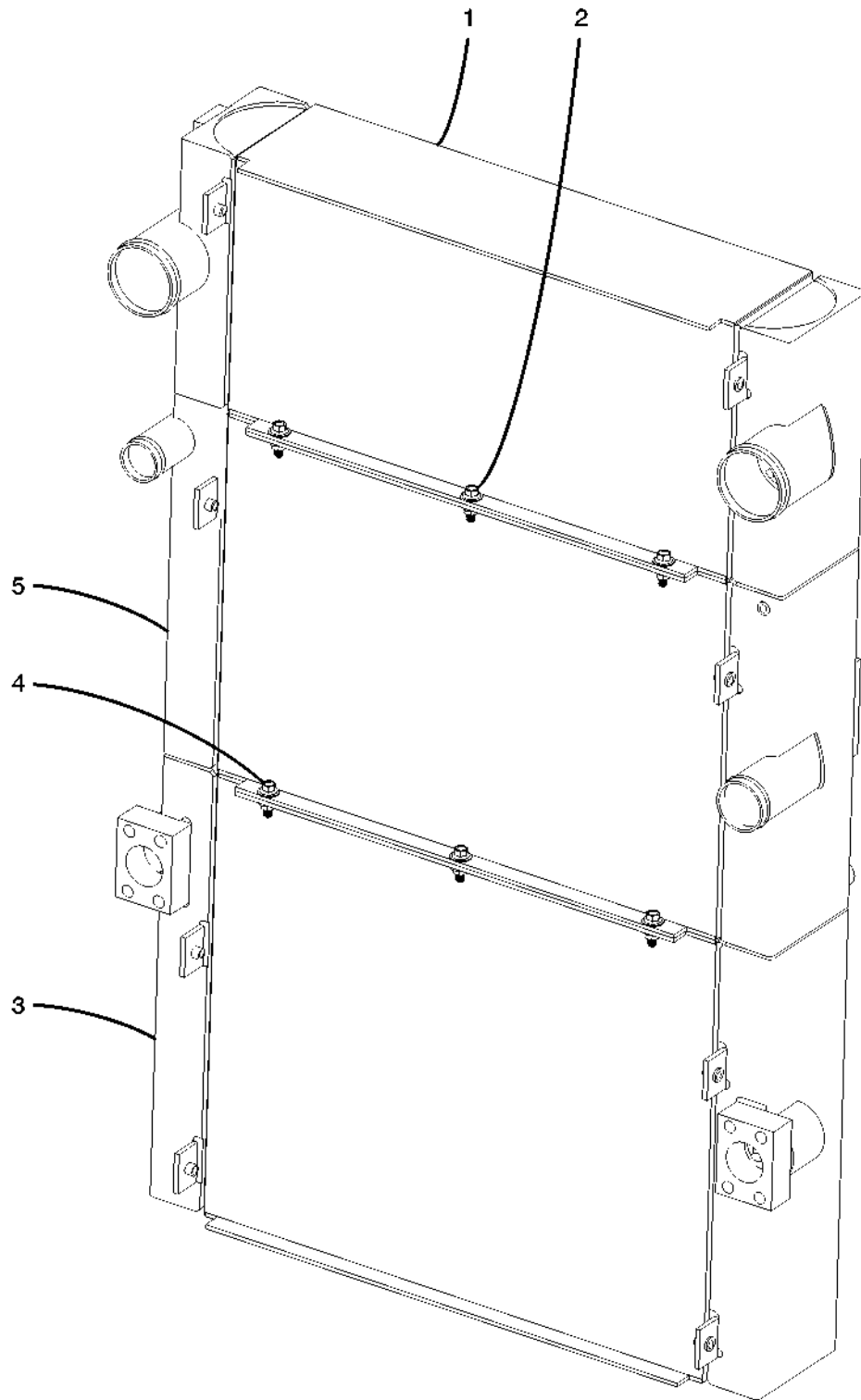


Parts List

0410

| Air Intake & Exhaust Installation | | | | |
|-----------------------------------|-----------|-----|--|---------|
| REF | PART NO. | QTY | DESCRIPTION | REMARKS |
| 1 | 65A1606 | 1 | Elbow | |
| | 1X 5904 | 1 | Clamp | |
| 2 | 1X 5901 | 1 | Clamp | |
| 3 | J7H0055 | 1 | Tube | |
| | 112015004 | 2 | Clamp | |
| 4 | 112015002 | 1 | Clamp | |
| 5 | R3H0038 | 1 | Bracket | |
| 6 | J7H0071 | 1 | Elbow | |
| 7 | 19A1223 | 2 | Clamp | |
| 8 | 1X 5094 | 1 | Clamp | |
| 9 | REF | 1 | Air Cleaner Assy – See Keysheet 06–005 | |
| | 1X 8156 | 2 | Band, Mounting | |
| | F7A0313 | 1 | Indicator, Air Filter | |
| 10 | 1X 0825 | 1 | Plug | |
| 11 | R3H0037 | 1 | Tube, Muffler Support | |
| 12 | J7H0057 | 1 | Extension, Air Stack | |
| 13 | 32H0213 | 1 | Hood | |
| 14 | R3H0021 | 1 | Bracket, Air Intake | |
| 15 | J7H0123 | 1 | Cover, Muffler | |
| | 126009014 | 6 | Capscrew | |
| | 128003004 | 6 | Washer | |
| 16 | R3H0023 | 1 | Bracket, Muffler Support | |
| | 126009014 | 1 | Capscrew | |
| | 128003004 | 2 | Washer | |
| | 127004003 | 1 | Locknut | |
| 17 | 126004010 | 2 | Capscrew | |
| | 128002007 | 2 | Washer | |
| 18 | R3H0059 | 1 | Pipe, Exhaust | |
| | 18A4305 | 1 | Clamp | |
| 19 | J7H0059 | 2 | Hanger, Muffler | |
| 20 | R3H0045 | 1 | Tube | |
| | 19H0340 | 1 | Clamp | |
| 21 | J7H0066 | 1 | Bracket, Air Cleaner | |
| | 126009013 | 4 | Capscrew | |
| | 128003004 | 8 | Washer | |
| | 127004003 | 4 | Locknut | |
| 22 | J7H0053 | 1 | Muffler | |
| 23 | J7H0095 | 1 | Plate | |
| | 126006035 | 2 | Capscrew | |
| | 128002009 | 2 | Washer | |
| 24 | J7H0079 | 1 | Bracket, Muffler | |
| | 128003004 | 4 | Washer | |
| | 127004003 | 4 | Locknut | |
| 25 | 126009013 | 4 | Capscrew | |
| | 128003004 | 8 | Washer | |
| | 127004003 | 4 | Locknut | |

Radiator, Air & Oil Cooler Assy

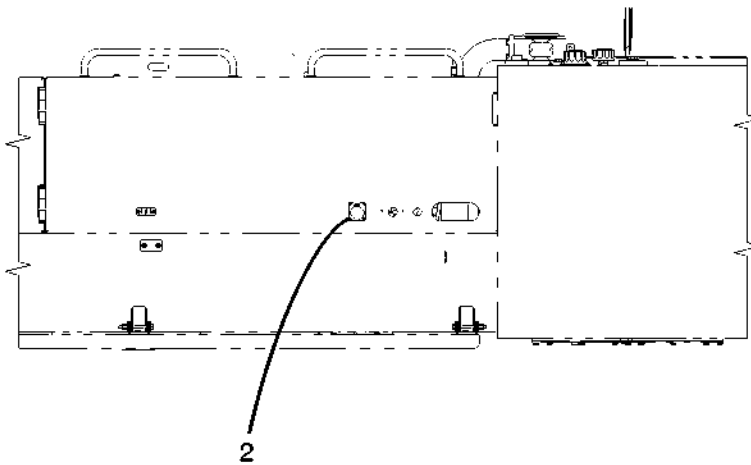
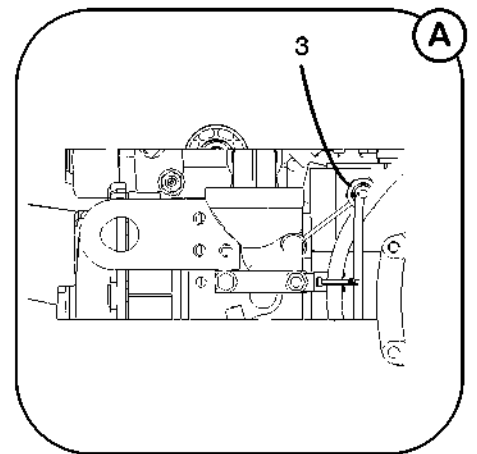
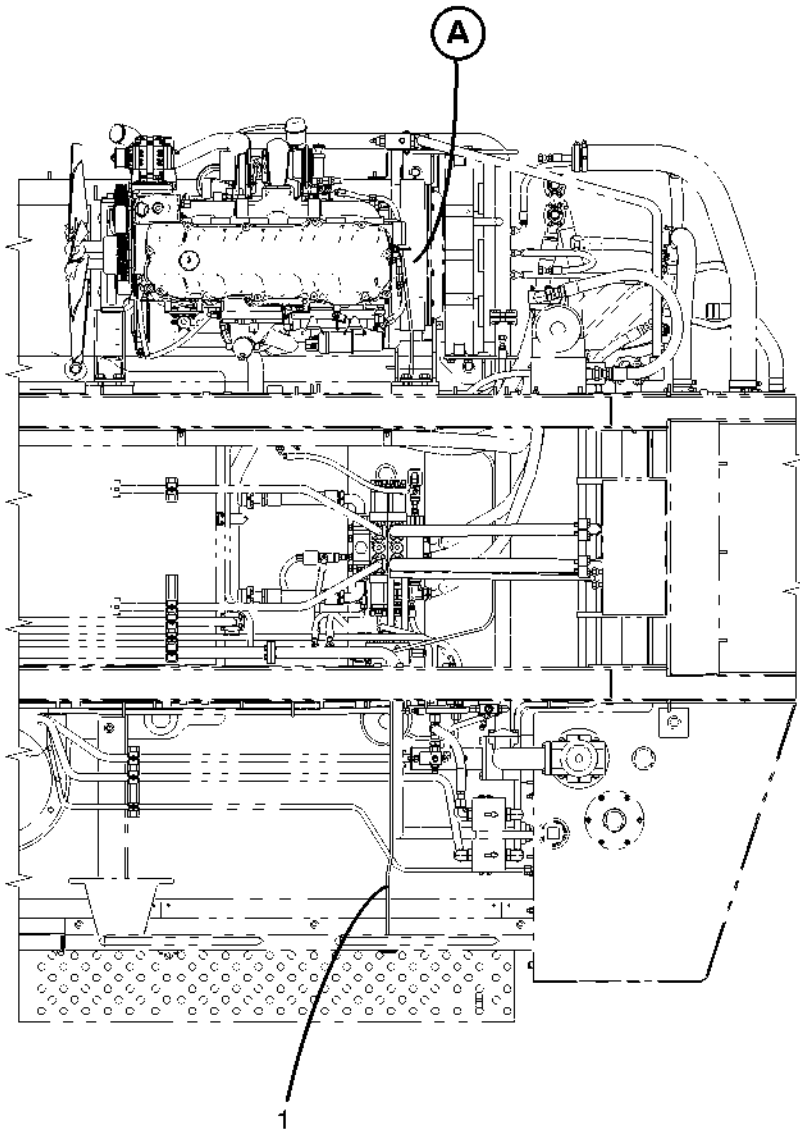


Parts List

1007

| Radiator, Air & Oil Cooler Assy | | | | |
|---------------------------------|----------|-----|---------------------------------|---------|
| REF | PART NO. | QTY | DESCRIPTION | REMARKS |
| 1 | R3H0022 | 1 | Radiator, Air & Oil Cooler Assy | |
| 1 | 3H 2262 | 1 | Cooler, Charge Air | |
| 2 | 3A 25011 | 6 | Capscrew | |
| | 3A 25010 | 12 | Washer, Flat | |
| | 3A 25060 | 6 | Nut, Flange | |
| 3 | 3H 2264 | 1 | Cooler, Hydraulic Oil | |
| 4 | 3A 25011 | 6 | Capscrew | |
| | 3A 25010 | 12 | Washer, Flat | |
| | 3A 25060 | 6 | Nut, Flange | |
| 5 | 3H 2263 | 1 | Radiator | |

Engine Block Heater Installation

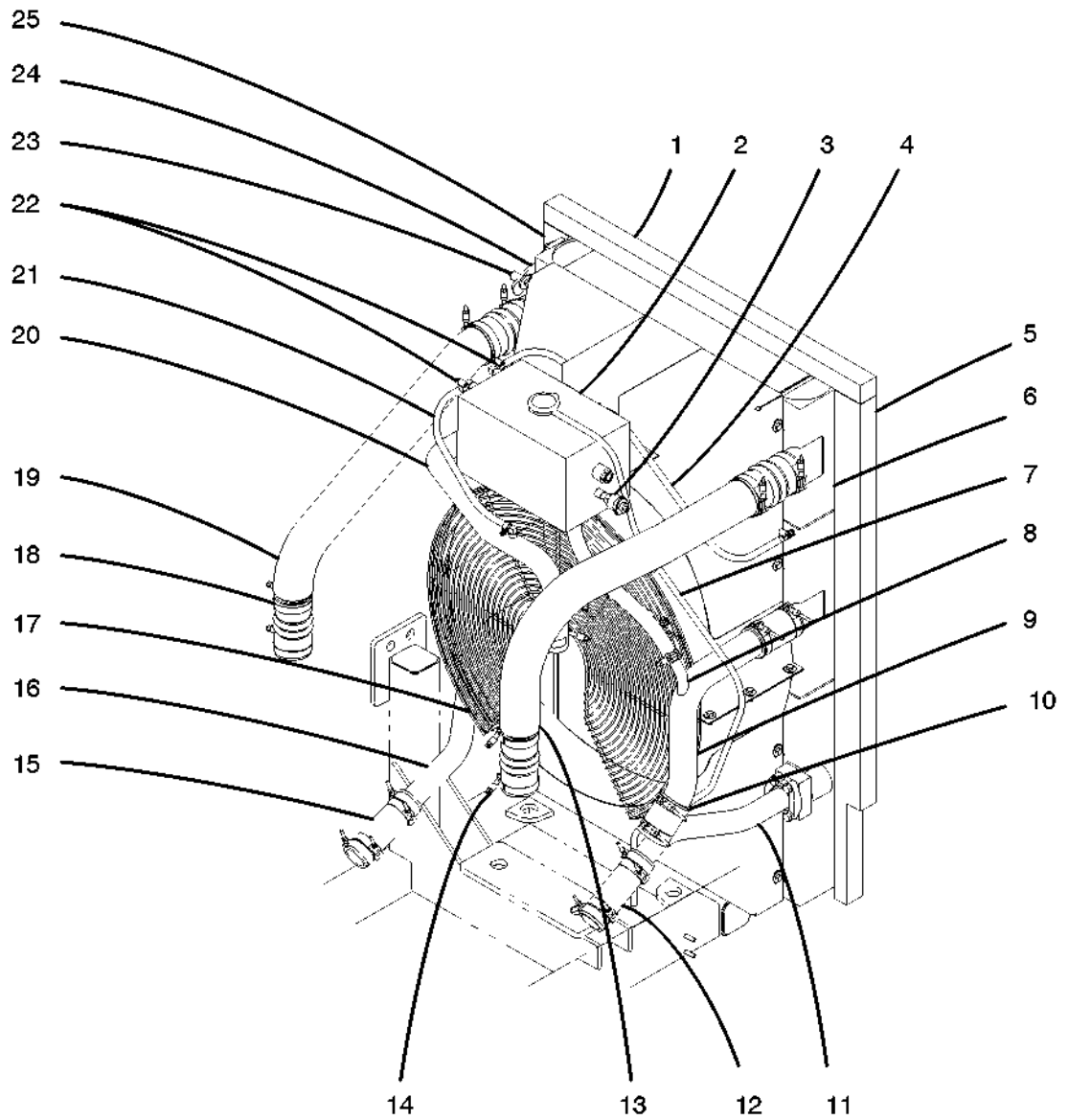


Parts List

1007

| Engine Block Heater Installation | | | | |
|----------------------------------|----------|-----|--------------------------|---------|
| REF | PART NO. | QTY | DESCRIPTION | REMARKS |
| 1 | 71J0005 | 5 | Tie, Cable | |
| 2 | J7H0101 | 1 | Cord And Receptacle Assy | |
| | 1X 6712 | 4 | Screw | |
| 3 | REF | | Engine Block Heater | |

Radiator Installation

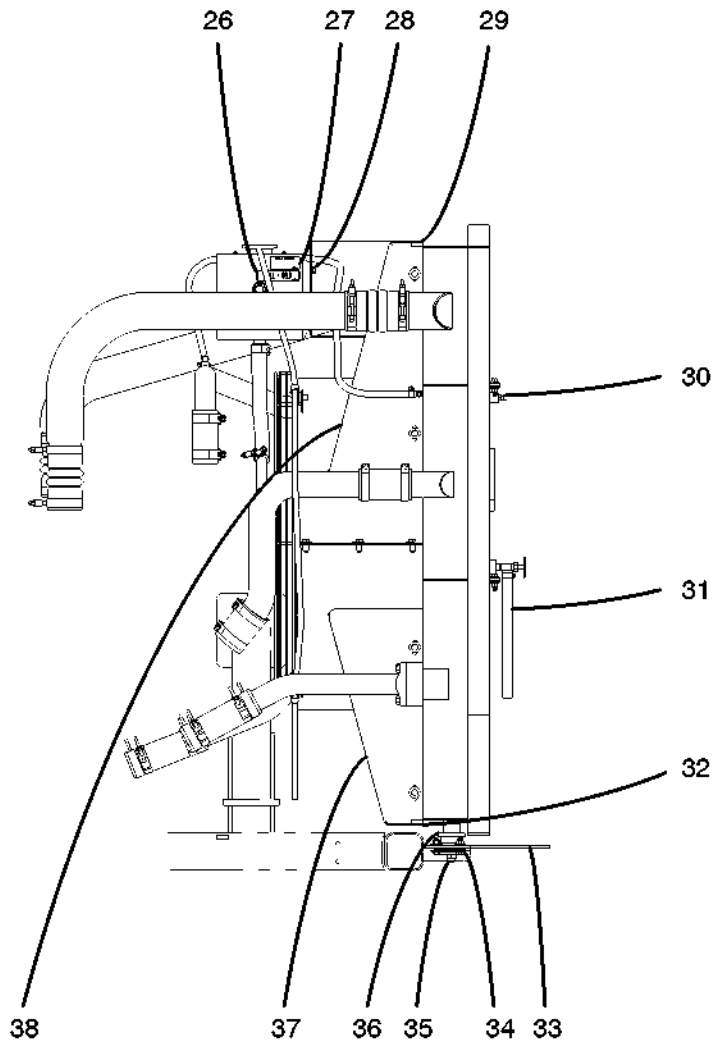


Parts List

0108

| Radiator Installation | | | | |
|-----------------------|-----------|-----|---|---------|
| REF | PART NO. | QTY | DESCRIPTION | REMARKS |
| 1 | J7H0097 | 1 | Baffle, Foam | |
| 2 | REF | 1 | Surge Tank Assy – See Keysheet 06–001 | |
| 3 | R3R0010 | 1 | Sensor, Coolant Level | |
| | 1X 0824 | 1 | Plug, Pipe | |
| 4 | 822033009 | 1 | Hose – 3.1' | |
| | 5Z 0118 | 1 | Barb, Hose | |
| | 1X 5056 | 1 | Clamp | |
| 5 | J7H0098 | 1 | Baffle, Foam | |
| 6 | REF | 1 | Radiator, Air & Oil Cooler Assy – See Keysheet 06–001 | |
| | 126009013 | 8 | Capscrew | |
| | 128003004 | 8 | Washer | |
| 7 | 822014005 | 1 | Hose – 6' | |
| | 5Z 0623 | 2 | Clamp | |
| | 126009013 | 4 | Capscrew | |
| | 128003004 | 4 | Washer | |
| 8 | 822035005 | 1 | Hose – 1.5' | |
| | F6A0322 | 2 | Clamp | |
| 9 | R3H0039 | 1 | Tube | |
| | 822036007 | 1 | Hose – 0.4' | |
| | F6A0028 | 2 | Clamp | |
| 10 | 822003021 | 1 | Hose – 0.3' | |
| | F6A0028 | 2 | Clamp | |
| 11 | R3J0187 | 1 | Tube Assy | |
| | 20J3041 | 1 | O–ring | |
| | 126009028 | 4 | Capscrew | |
| 12 | 822026003 | 1 | Hose – 0.63' | |
| | 1X 5647 | 4 | Clamp | |
| 13 | R3H0015 | 1 | Tube, CAC | |
| | J7H0068 | 1 | Hose | |
| | J7H0072 | 2 | Clamp | |
| 14 | D7A0611 | 1 | Hose | |
| | 71A0735 | 2 | Clamp | |
| 15 | 822026003 | 1 | Hose – 0.63' | |
| | 1X 5647 | 4 | Clamp | |
| 16 | R3J0188 | 1 | Tube Assy | |
| | 20J3041 | 1 | O–ring | |
| | 126009028 | 4 | Capscrew | |
| 17 | R3H0031 | 1 | Guard, Fan | |
| 18 | D7A0611 | 1 | Hose | |
| | 71A0735 | 2 | Clamp | |
| 19 | R3H0006 | 1 | Tube, CAC | |
| | J7H0068 | 1 | Hose | |
| | J7H0072 | 2 | Clamp | |
| 20 | R3H0007 | 1 | Tube | |
| | 1X 6938 | 1 | Barb, Hose | |
| | 822036005 | 2 | Hose – 0.42' | |
| | D7A0653 | 4 | Clamp | |
| 21 | 822033009 | 1 | Hose – 2.3' | |
| | 1X 5056 | 1 | Clamp | |
| 22 | 1X 6938 | 2 | Barb, Hose | |
| | 1X 5056 | 2 | Clamp | |

Radiator Installation

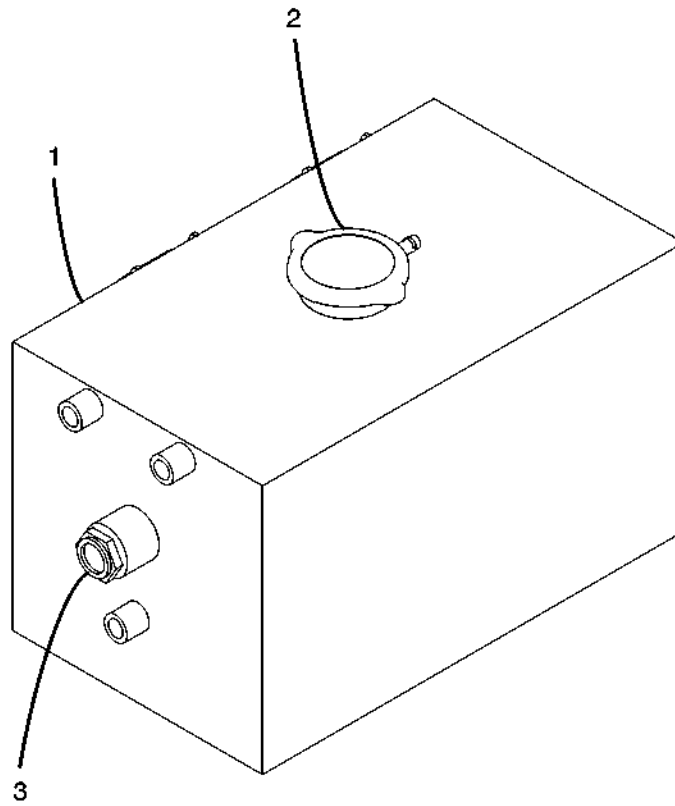


Parts List

0108

| Radiator Installation | | | | |
|-----------------------|-----------|-----|----------------------------|---------|
| REF | PART NO. | QTY | DESCRIPTION | REMARKS |
| 23 | J9M0185 | 1 | Spacer | |
| | 126009017 | 1 | Capscrew | |
| | 128003006 | 1 | Washer | |
| 24 | J7H0069 | 1 | Support, Radiator | |
| | 126009027 | 1 | Capscrew | |
| | 128003006 | 1 | Washer | |
| 25 | F7A0884 | 1 | Baffle, Foam | |
| 26 | F6A0008 | 1 | Label, Full Cold Coolant | |
| 27 | J9P0065 | 1 | Label, Coolant Information | |
| 28 | 1X 6792 | 4 | Capscrew | |
| | 65A0568 | 4 | Retainer, Nut | |
| 29 | 824033018 | 1 | Weatherstrip – 2.13' | |
| 30 | 12A0966 | 1 | Valve, Drain | |
| 31 | 822035003 | 1 | Hose – 6' | |
| | AC 4257 | 1 | Valve, Shutoff | |
| | 18A2838 | 1 | Clamp | |
| 32 | 824033018 | 1 | Weatherstrip – 2.13' | |
| 33 | J7H0135 | 1 | Plate | |
| 34 | 126009014 | 4 | Capscrew | |
| | 128003004 | 8 | Washer | |
| | 127004003 | 4 | Locknut | |
| 35 | 1X 7972 | 2 | Stud | |
| | AC 3328 | 2 | Plate | |
| | 128003015 | 2 | Washer | |
| | 127004005 | 2 | Locknut | |
| 36 | AC 3328 | 2 | Plate | |
| | 59A0324 | 2 | Damper, Vibration | |
| | 128003015 | 2 | Washer | |
| 37 | R3H0028 | 1 | Shroud, Lower | |
| | 126009013 | 6 | Capscrew | |
| | 128003004 | 6 | Washer | |
| 38 | R3H0009 | 1 | Shroud, Upper | |

Surge Tank Assy

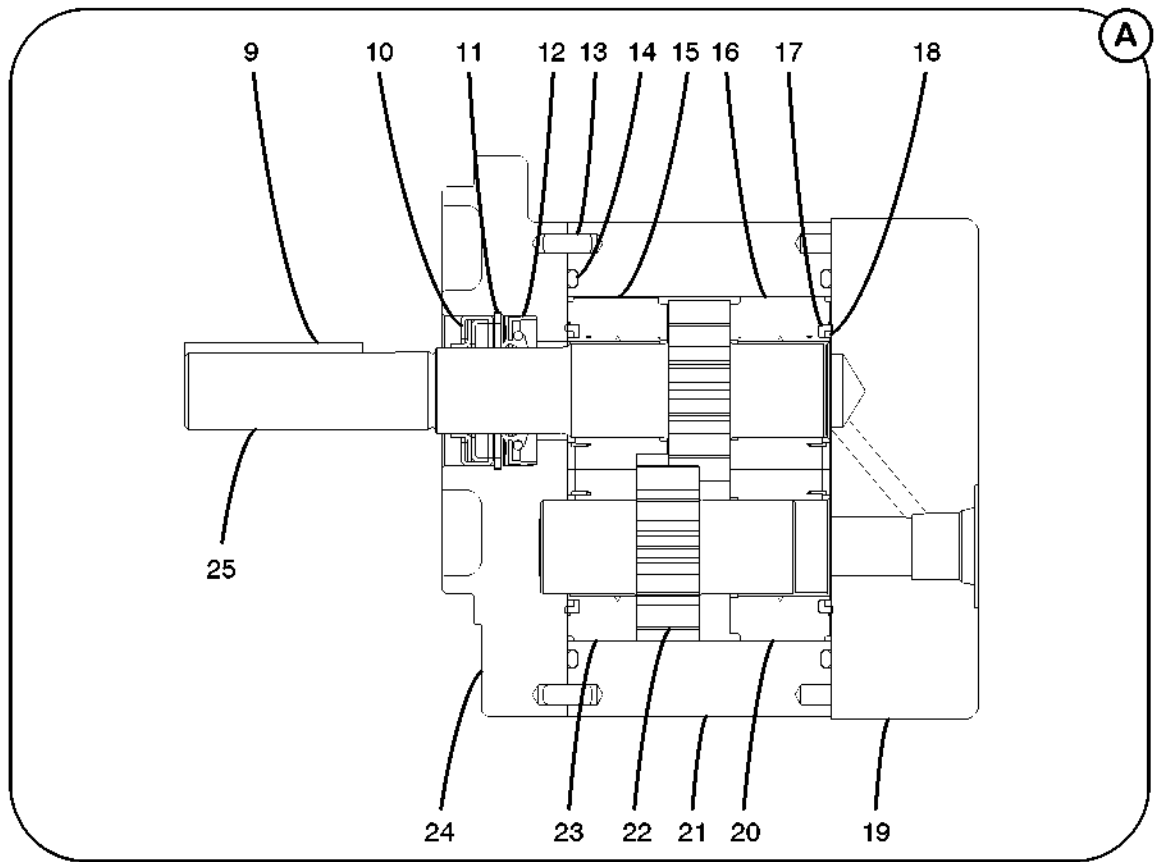
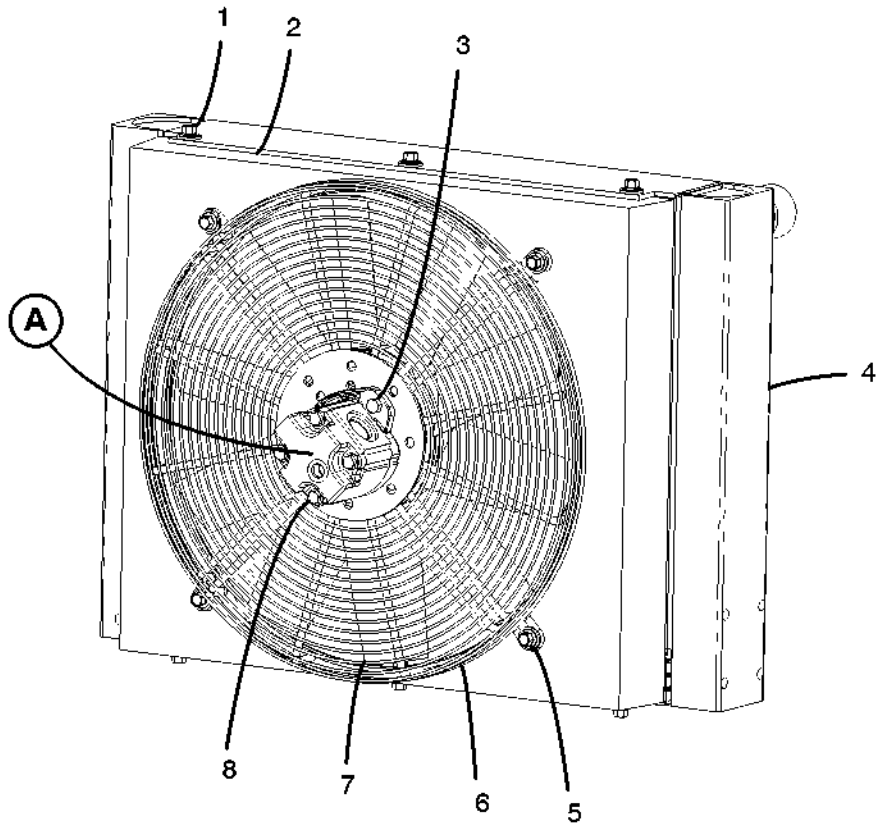


Parts List

1107

| Surge Tank Assy | | | | |
|-----------------|----------|-----|-----------------|---------|
| REF | PART NO. | QTY | DESCRIPTION | REMARKS |
| 1 | J8A0142 | 1 | Surge Tank Assy | |
| 2 | 3A 25181 | 1 | Tank, Surge | |
| 2 | 3A 25180 | 1 | Cap, Radiator | |
| 3 | 3A 25179 | 2 | Gauge, Sight | |

Oil Cooler Assy

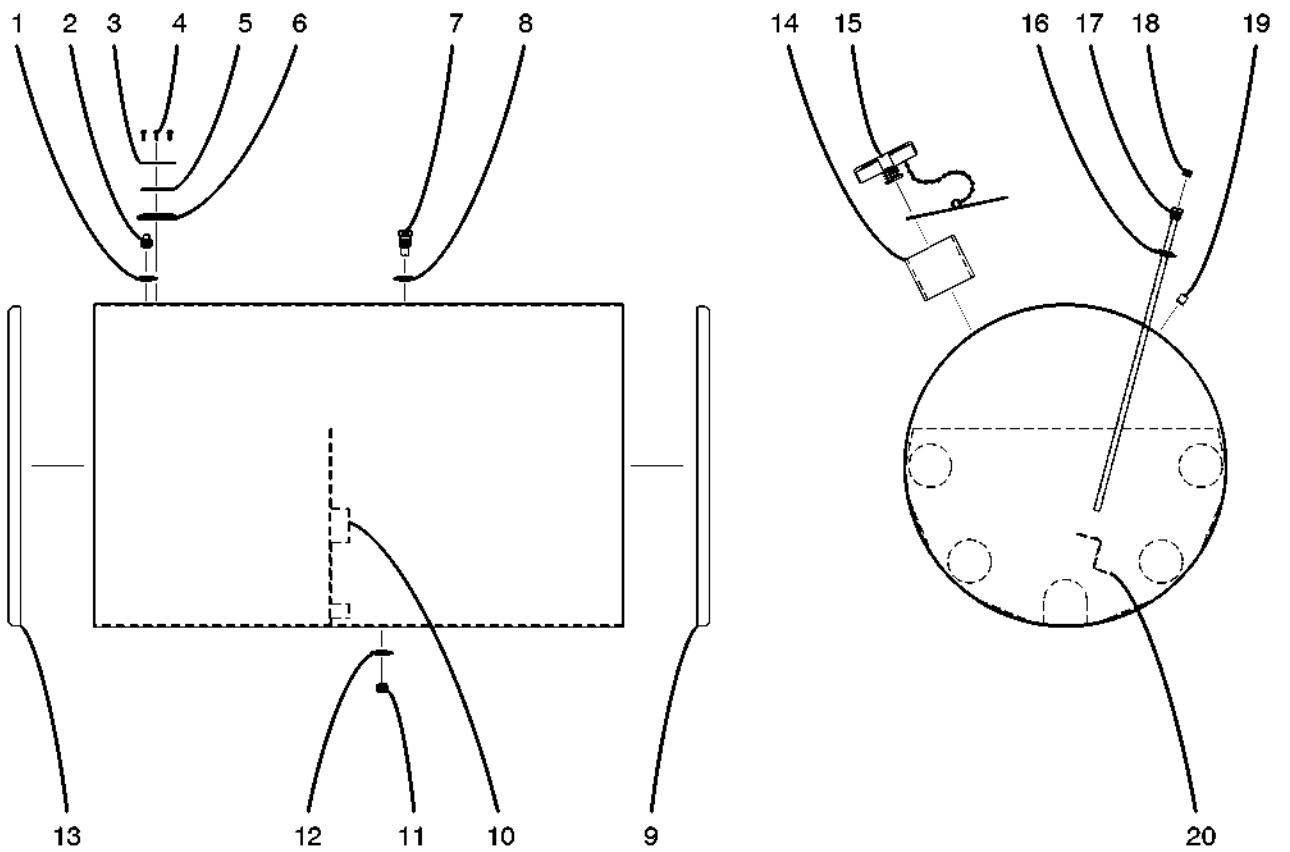


Parts List

0808

| Oil Cooler Assy | | | | |
|-----------------|----------|-----|----------------------------|---------|
| REF | PART NO. | QTY | DESCRIPTION | REMARKS |
| | R3J0255 | 1 | Oil Cooler Assy | |
| 1 | 3J 18235 | 6 | Capscrew | |
| | 3J 18234 | 6 | Washer | |
| 2 | 3J 18238 | 1 | Shroud | |
| 3 | 3J 18118 | 2 | Capscrew | |
| | 3A 25010 | 2 | Washer | |
| | 3A 25009 | 2 | Nut, Nyloc | |
| 4 | 3J 18240 | 1 | Cooler, Oil | |
| 5 | 3J 18235 | 4 | Capscrew | |
| | 3J 18234 | 4 | Washer | |
| 6 | 3J 18239 | 1 | Fingerguard | |
| 7 | 3J 18237 | 1 | Fan | |
| | 3J 18236 | 1 | Hydraulic Motor Assy | |
| 8 | 3J 18241 | 4 | Capscrew | |
| | 3J 13389 | 4 | Washer | |
| 9 | 3J 18109 | 1 | Key | |
| 10 | 3J 18114 | 1 | Seal, Dirt Excluder | |
| 11 | 3J 16069 | 1 | Ring, Snap | |
| 12 | 3J 18107 | 1 | Seal, Lip | |
| 13 | 3J 13385 | 2 | Pin, Dowel | |
| 14 | 3J 16076 | 2 | Seal, Section | |
| 15 | 3J 18106 | 1 | Bushing, Thrust Block | |
| 16 | 3J 18106 | 1 | Bushing, Thrust Block | |
| 17 | 3J 18103 | 4 | Seal, Channel | |
| | 3J 18104 | 4 | Seal, Channel | |
| 18 | 3J 18105 | 2 | Seal, Back Up | |
| 19 | 3J 18243 | 1 | Housing, Port End Carrier | |
| 20 | 3J 18106 | 1 | Bushing, Thrust Block | |
| 21 | 3J 18242 | 1 | Housing, Gear | |
| 22 | 3J 18110 | 1 | Gear, Driven | |
| 23 | 3J 18106 | 1 | Bushing, Thrust Block | |
| 24 | 3J 16075 | 1 | Housing, Shaft End Carrier | |
| 25 | 3J 18111 | 1 | Gear, Drive | |

Fuel Tank Assy

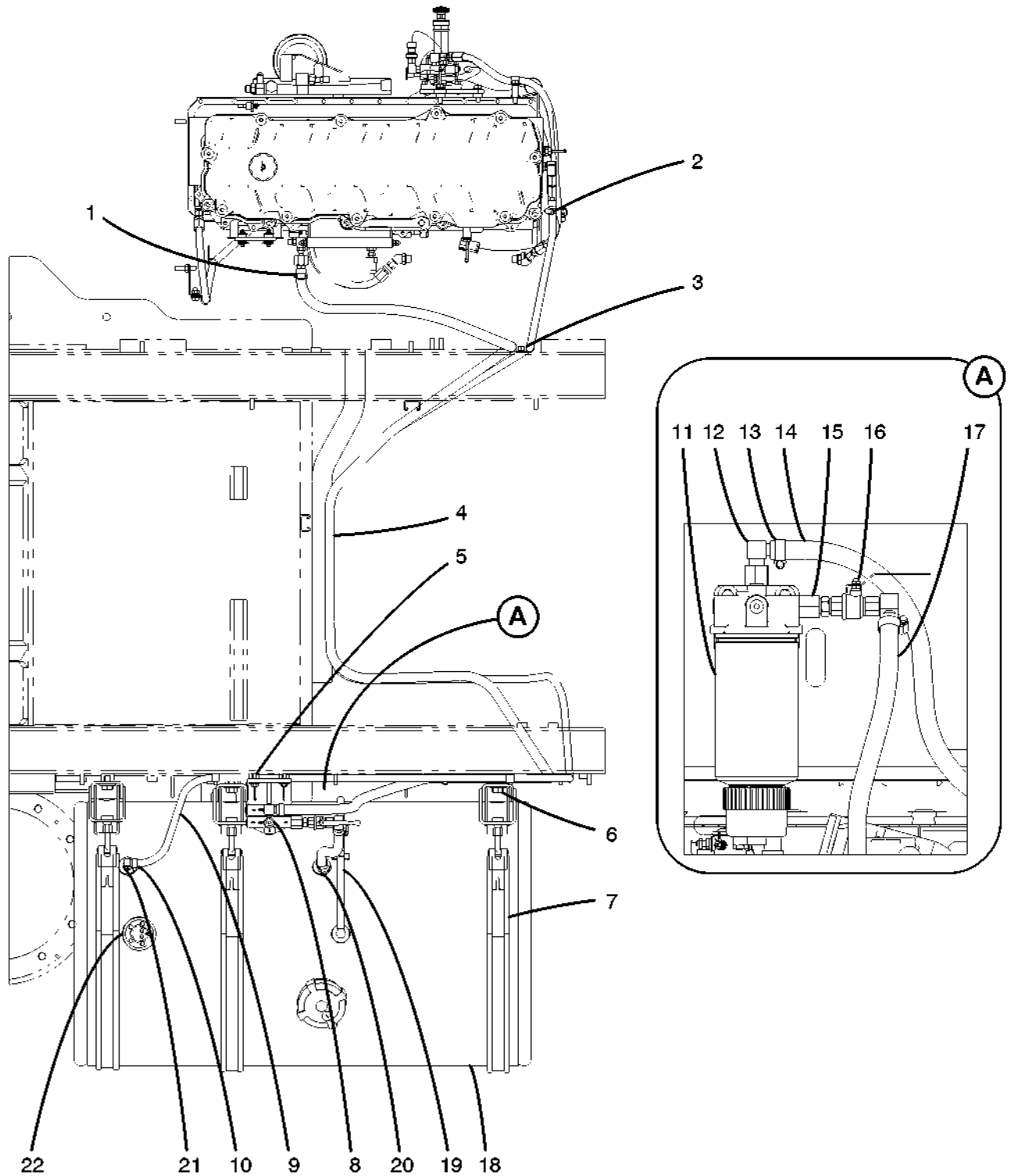


Parts List

1109

| Fuel Tank Assy | | | | |
|----------------|----------|-----|----------------|---------|
| REF | PART NO. | QTY | DESCRIPTION | REMARKS |
| | N3A1221 | 1 | Fuel Tank Assy | |
| 1 | 3A 24325 | 1 | Flange | |
| 2 | 3H 2283 | 1 | Plug | |
| 3 | 3A 24321 | 1 | Cover | |
| 4 | 3A 24322 | 5 | Screw | |
| 5 | 3A 24320 | 1 | Gasket | |
| 6 | 3A 24319 | 1 | Flange | |
| 7 | 3A 24324 | 1 | Vent | |
| 8 | 3A 24325 | 1 | Flange | |
| 9 | 3A 24318 | 1 | Head | |
| 10 | 3A 24331 | 1 | Baffle | |
| 11 | 3H 2283 | 1 | Plug | |
| 12 | 3A 24325 | 1 | Flange | |
| 13 | 3A 24318 | 1 | Head | |
| 14 | 3A 24329 | 1 | Neck, Fill | |
| 15 | 3A 25222 | 1 | Cap, Fuel | |
| | 3A 25223 | 1 | Key | |
| 16 | 3A 24325 | 1 | Flange | |
| 17 | 3A 24184 | 1 | Tube, Draw | |
| 18 | 3A 25807 | 1 | Plug | |
| 19 | 3A 24330 | 2 | Clip | |
| 20 | 3A 24326 | 1 | Clip | |

Fuel Tank Installation

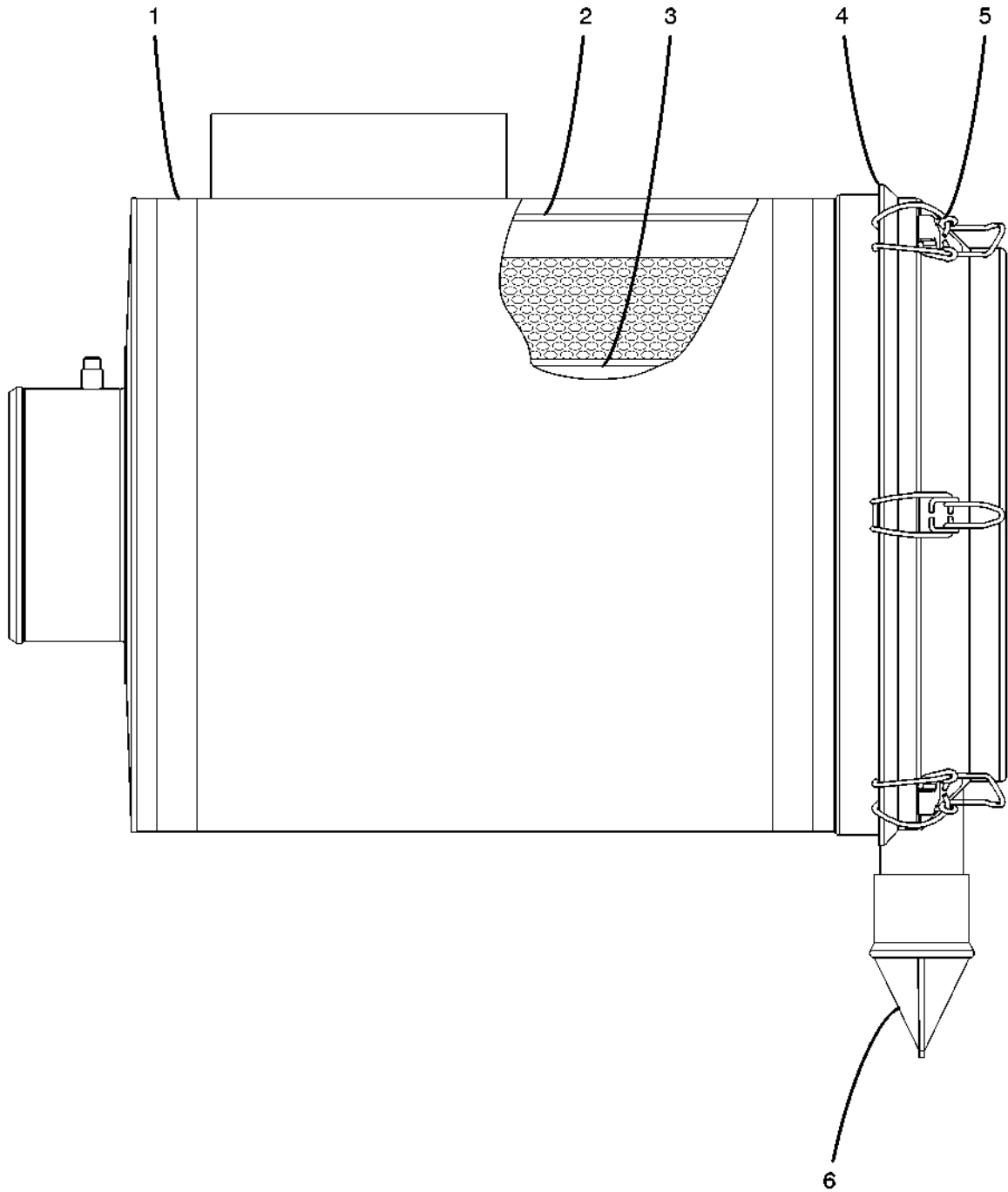


Parts List

0110

| Fuel Tank Installation | | | | |
|------------------------|-----------|-----|--------------------------------------|---------|
| REF | PART NO. | QTY | DESCRIPTION | REMARKS |
| 1 | 18A2838 | 1 | Clamp | |
| 2 | 1X 5056 | 1 | Clamp | |
| 3 | 1X 7192 | 1 | Clamp – 0.88" Dia | |
| | 5Z 0623 | 1 | Clamp – 0.69" Dia | |
| | 127004003 | 1 | Locknut | |
| 4 | 71J0005 | 7 | Tie, Cable | |
| 5 | 126009013 | 3 | Capscrew | |
| | 128003004 | 3 | Washer | |
| 6 | 126009108 | 6 | Capscrew | |
| | 128003008 | 6 | Washer | |
| 7 | 65A1072 | 3 | Bracket, Fuel Tank | |
| | D6A0554 | 3 | Insulator – 19" Lg | |
| | N3A0352 | 3 | Insulator – 58" Lg | |
| 8 | 1X 4526 | 5 | Plug | |
| 9 | 822013004 | 1 | Hose – 15' | |
| | 5Z 0623 | 4 | Clamp | |
| 10 | 1X 5056 | 1 | Clamp | |
| 11 | REF | | Fuel Filter | |
| 12 | 1X 5366 | 1 | Stem, Hose | |
| | 1X 8343 | 1 | Connector | |
| 13 | 18A2838 | 1 | Clamp | |
| 14 | 822013008 | 1 | Hose – 14' | |
| | 1X 7192 | 3 | Clamp | |
| | 127004003 | 5 | Locknut | |
| 15 | 1X 8343 | 1 | Connector | |
| | 1X 3196 | 1 | Fitting, Pipe | |
| 16 | 53A0155 | 1 | Valve, Fuel Shutoff | |
| | 1X 5366 | 1 | Stem, Hose | |
| 17 | 822013008 | 1 | Hose – 1.2' | |
| | 18A2838 | 2 | Clamp | |
| 18 | REF | 1 | Fuel Tank Assy – See Keysheet 06-001 | |
| 19 | 822013003 | 1 | Hose – 3.25' | |
| 20 | 1X 5205 | 1 | Stem, Hose | |
| 21 | 1X 5365 | 1 | Stem, Hose | |
| | 1X 2169 | 1 | Bushing, Pipe | |
| 22 | J8A0831 | 1 | Unit, Fuel Sending | |

Air Cleaner Assy



Parts List

0102

| Air Cleaner Assy | | | | |
|------------------|----------|-----|-------------------|---------|
| REF | PART NO. | QTY | DESCRIPTION | REMARKS |
| | E9A0785 | 1 | Air Cleaner Assy | |
| 1 | 1X 8156 | 2 | Band, Mounting | |
| 2 | E3H0180 | 1 | Filter, Primary | |
| 3 | E3H0179 | 1 | Filter, Secondary | |
| 4 | 3H 2130 | 1 | Cover | |
| 5 | 3A 23267 | 6 | Latch | |
| 6 | 3A 19859 | 1 | Valve, Vacuator | |

Battery Specifications

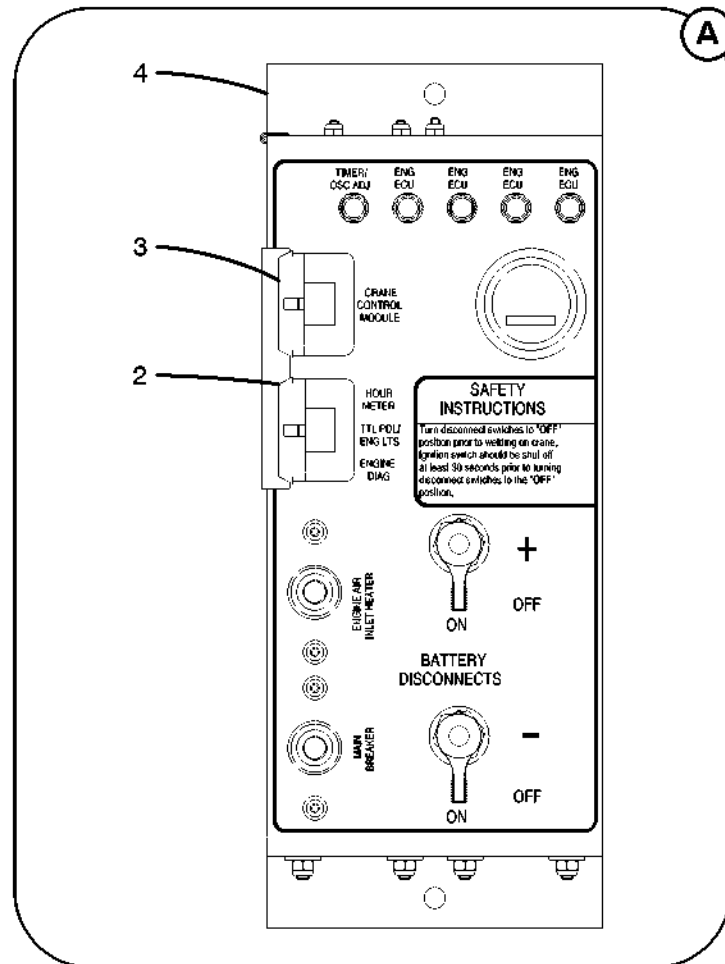
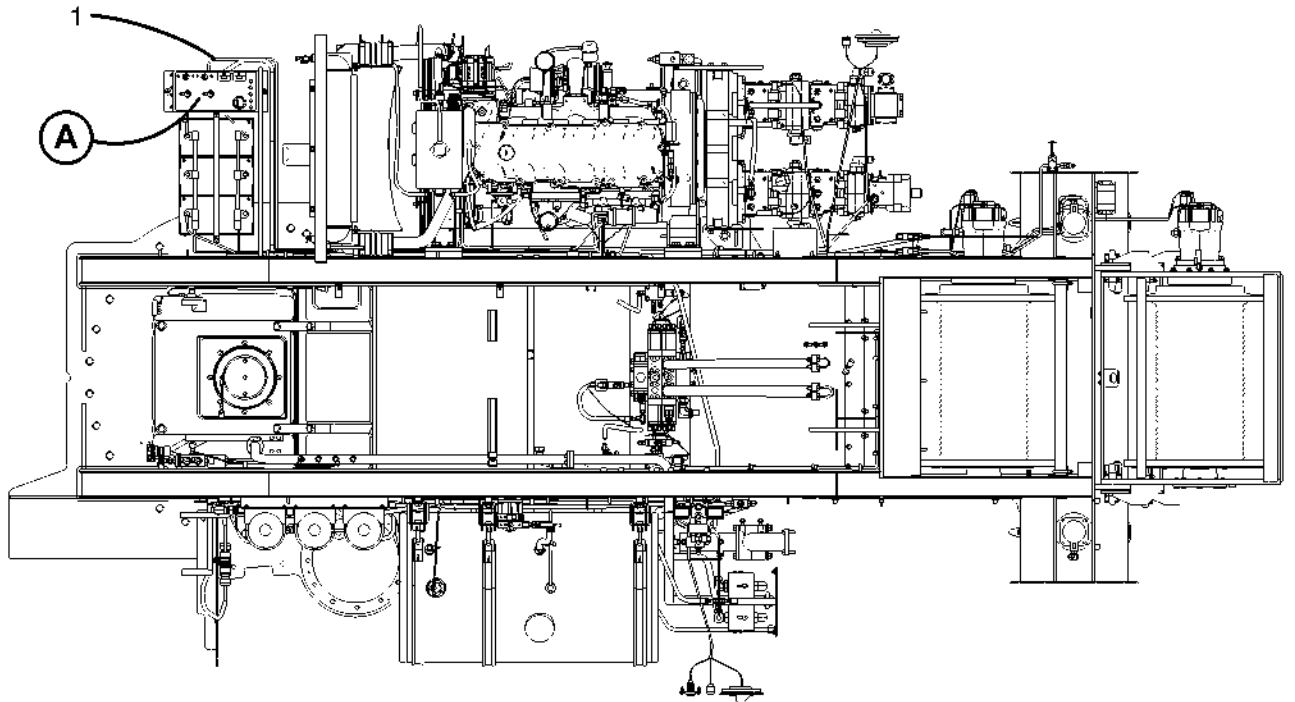
| | |
|--------------------------------|-------------------|
| Voltage | 12 Volts |
| Cold Cranking Amps @ 0°F | 1000 Amps |
| Length | 12.93" (328.42mm) |
| Width | 6.74" (171.2mm) |
| Height | 9.29" (235.97mm) |
| Approximate Weight | 58 lb (26.31kg) |

Parts List

0605

| Battery Specifications | | | | |
|------------------------|----------|-----|-----------------------------|---------|
| REF | PART NO. | QTY | DESCRIPTION | REMARKS |
| | J7R0069 | 1 | Battery, 12 Volt Heavy Duty | |

Upper Frame Wire Harness

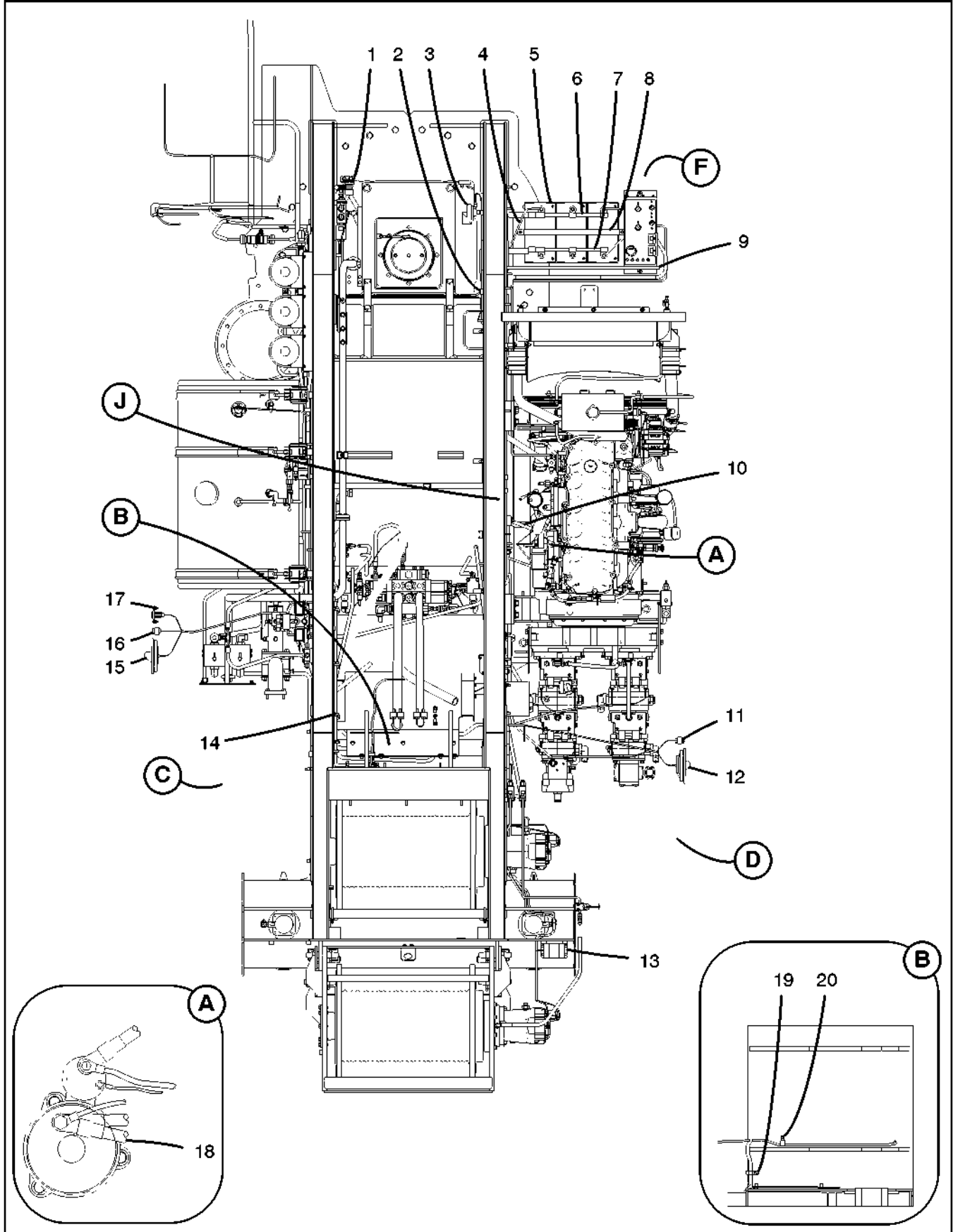


Parts List

0908

| Upper Frame Wire Harness | | | | |
|--------------------------|----------|-----|--|---------|
| REF | PART NO. | QTY | DESCRIPTION | REMARKS |
| 1 | R3R0058 | 1 | Harness, Upper Frame Wire | |
| | D6R0346 | 1 | Relay, Sealed – Oscillation Cylinder | |
| | D6R0346 | 1 | Relay, Sealed – Boom Extend Kickout | |
| | R3R0013 | 1 | Module, Resistor | |
| 2 | F8R0039 | 1 | Fuse, 5 Amp Mini – Hour Meter | |
| | F8R0039 | 1 | Fuse, 5 Amp Mini – Throttle Pedal & Engine Light | |
| | F8R0037 | 1 | Fuse, 10 Amp Mini – Engine Diagnostic Connector | |
| 3 | R3R0014 | 1 | Fuse, 2 Amp Mini – Crane Control Module | |
| | E9R0129 | 1 | Fuse, 20 Amp – Crane Control Module | |
| | E9R0129 | 1 | Fuse, 20 Amp – Crane Control Module | |
| 4 | REF | | Power Panel | |

Upper Wiring

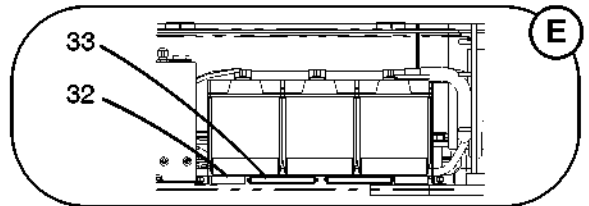
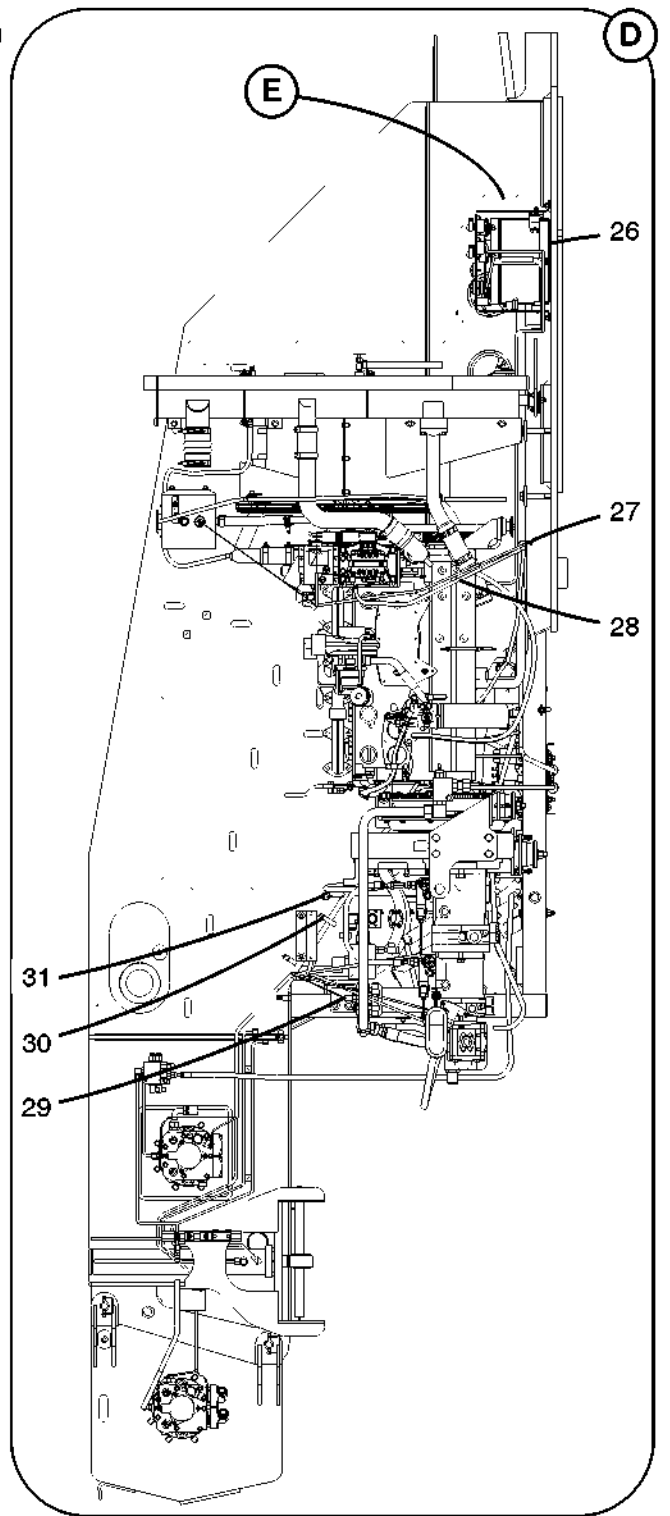
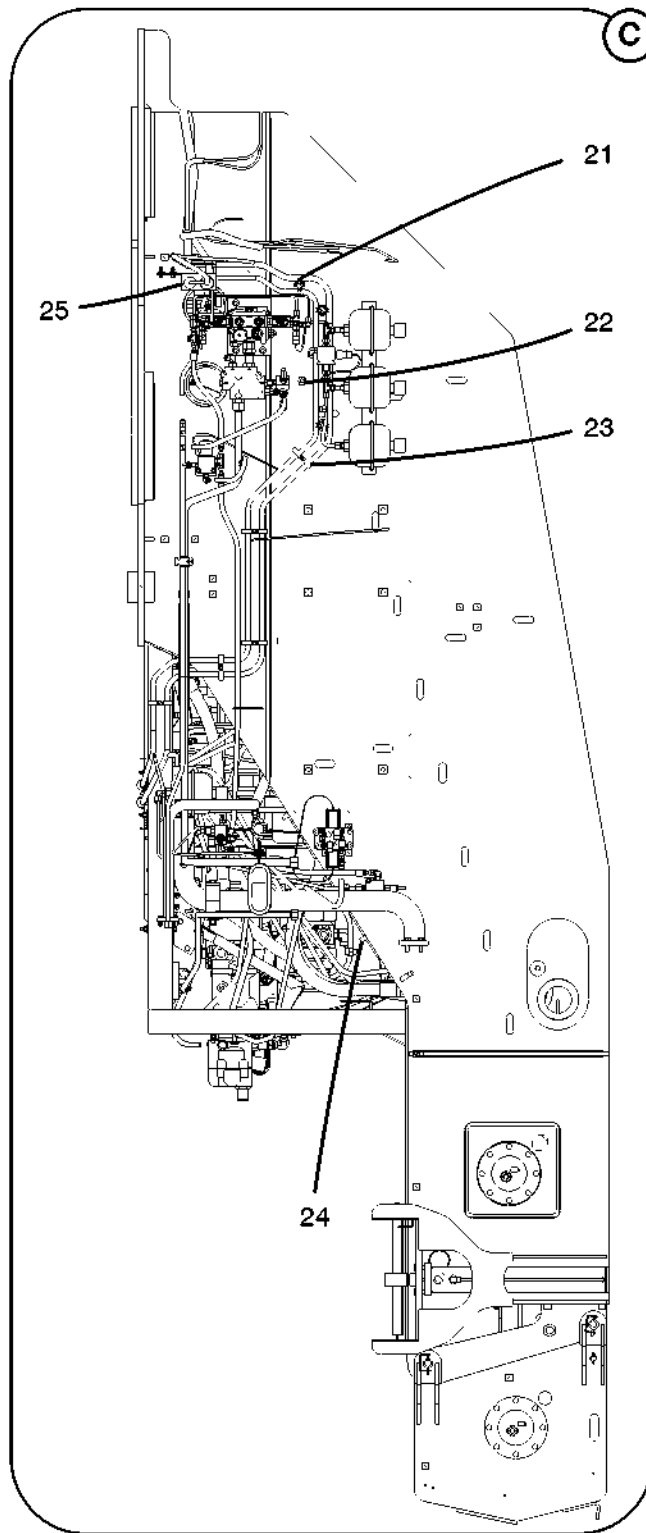


Parts List

0110

| Upper Wiring | | | | |
|--------------|-----------|-----|--|---------|
| REF | PART NO. | QTY | DESCRIPTION | REMARKS |
| 1 | J7R0086 | 1 | Bracket | NSS |
| | 126009012 | 2 | Capscrew | |
| | 128003004 | 2 | Washer | |
| | 155286002 | 1 | Lockwasher | |
| | 155285002 | 1 | Nut | |
| 2 | 126009012 | 1 | Capscrew | |
| | 128003004 | 1 | Washer | |
| 3 | E8R0038 | 1 | Horn | |
| | 126009001 | 1 | Capscrew | |
| | 128003001 | 1 | Washer | |
| 4 | J7R0033 | 1 | Cable, Ground | |
| 5 | REF | 3 | Battery Specifications – See Keysheet 06–029 | |
| 6 | J7R0029 | 1 | Cable, Negative Battery | |
| | F3R0042 | 3 | Nut | |
| 7 | J7R0030 | 1 | Cable, Positive Battery | |
| | F3R0042 | 3 | Nut | |
| 8 | R3R0114 | 1 | Bracket | |
| | 824033015 | 1 | Weatherstrip – 2' | |
| | 128003003 | 2 | Washer | |
| | 127004003 | 2 | Locknut | |
| 9 | 824025005 | 1 | Trim – 2.92' | |
| 10 | 36A2495 | 1 | Cable, Battery | |
| 11 | 1R 0811 | 1 | Alarm, Audio | |
| 12 | F2R0049 | 1 | Harness, Pigtail | |
| | E9R0005 | 1 | Grommet | |
| | E9R0007 | 1 | Light, Yellow Turn/Side | |
| 13 | E1R0028 | 1 | Back Up Alarm S/A | |
| | 155108001 | 1 | Connector | |
| | 155140001 | 1 | Lock, 2 Way | |
| | 155106001 | 2 | Terminal | |
| | 155064005 | 2 | Seal, Cable | |
| | E1R0027 | 1 | Alarm, Back Up | |
| | 126009001 | 2 | Capscrew | |
| | 128003001 | 2 | Washer | |
| 14 | 1X 5687 | 6 | Clamp | |
| | 127004003 | 3 | Locknut | |
| 15 | F2R0049 | 1 | Harness, Pigtail | |
| | E9R0005 | 1 | Grommet | |
| | E9R0007 | 1 | Light, Yellow Turn/Side | |
| 16 | 1R 0811 | 1 | Alarm, Audio | |
| 17 | J7R0034 | 1 | Connector | |
| | 126009003 | 2 | Capscrew | |
| | 128003001 | 2 | Washer | |
| | 127004001 | 2 | Locknut | |
| 18 | 36A2495 | 1 | Cable, Battery | |
| | 126009028 | 1 | Capscrew | |
| | 128003006 | 1 | Washer | |
| 19 | 1X 6408 | 1 | Clamp | |
| | 127004003 | 1 | Locknut | |
| 20 | 1N 1065 | 1 | Clamp | |
| | 127004003 | 1 | Locknut | |
| 21 | 155323001 | 3 | Mount, Fastener | |
| | 71J0005 | 6 | Tie, Cable | |

Upper Wiring

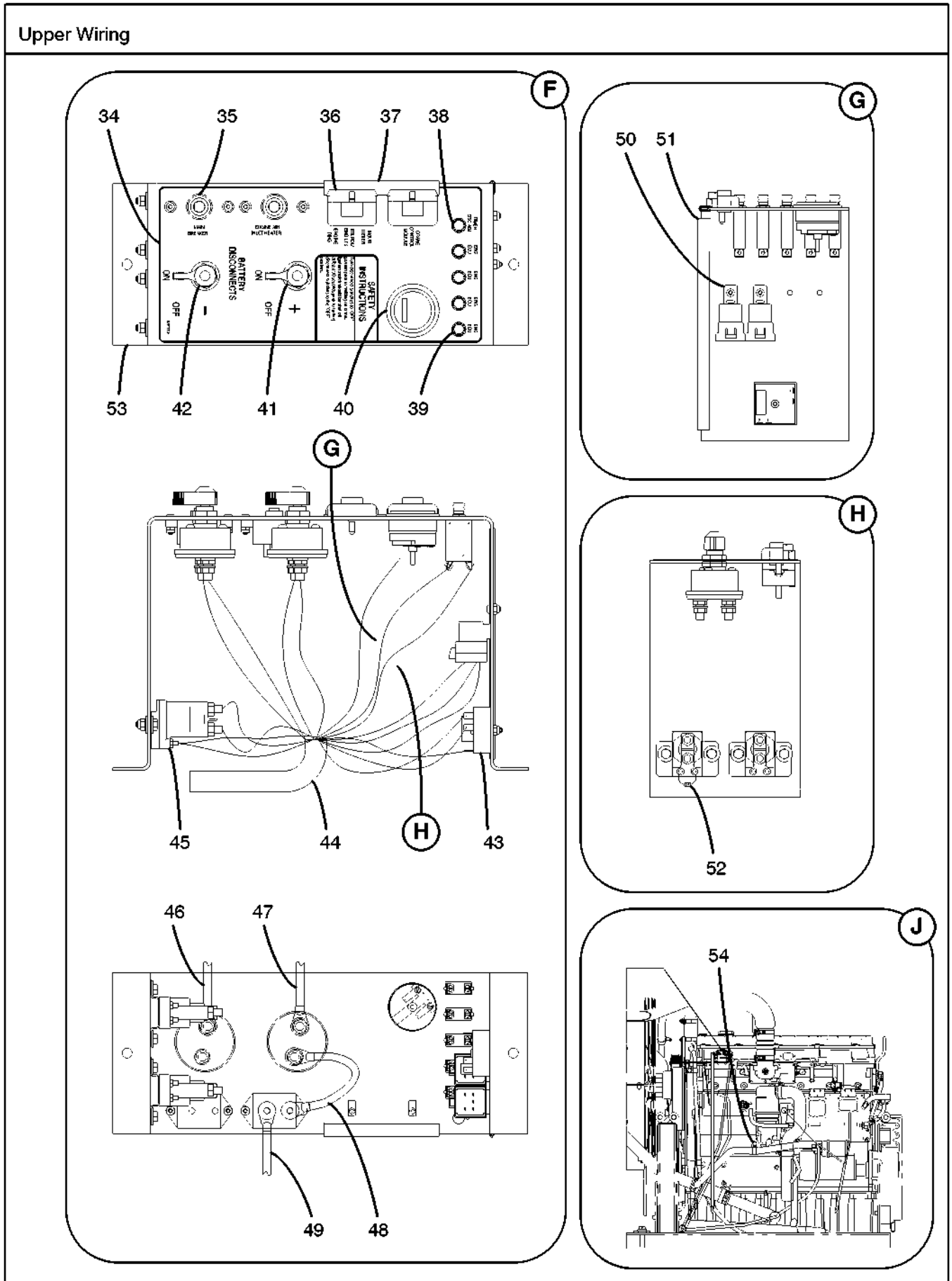


Parts List

0110

| Upper Wiring | | | | |
|--------------|-----------|-----|--|---------|
| REF | PART NO. | QTY | DESCRIPTION | REMARKS |
| 22 | 126009012 | 1 | Capscrew | NSS |
| | 128003004 | 1 | Washer | |
| 23 | 1X 6408 | 10 | Clamp | |
| | 127004003 | 5 | Locknut | |
| 24 | 1X 6408 | 4 | Clamp | |
| | 127004003 | 4 | Locknut | |
| 25 | J7R0154 | 1 | Bracket | |
| | 126009014 | 2 | Capscrew | |
| | 128003004 | 4 | Washer | |
| | 127004003 | 2 | Locknut | |
| | 155286002 | 2 | Lockwasher | |
| | 155285002 | 2 | Nut | |
| 26 | J7R0042 | 1 | Mat, Battery | |
| 27 | 1X 6408 | 2 | Clamp | |
| | 127004003 | 2 | Locknut | |
| 28 | P9R0039 | 1 | Harness, Alternator Wire | |
| 29 | 155065001 | 1 | Plug | |
| | 155061001 | 1 | Connector | |
| | 155062001 | 2 | Sleeve, Terminal | |
| | 155064001 | 2 | Seal, Cable | |
| 30 | 1X 6884 | 3 | Clamp | |
| | 127004003 | 3 | Locknut | |
| 31 | 126009012 | 1 | Capscrew | |
| | 128003004 | 1 | Washer | |
| 32 | R3R0115 | 2 | Rubber | |
| 33 | R3R0112 | 2 | Heater, Battery Box | |
| | R3R0060 | 1 | Power Panel S/A | |
| 34 | R3P0042 | 1 | Label, Power Panel | |
| 35 | D7R0041 | 2 | Breaker, 105 Amp Circuit | |
| | 1X 7905 | 4 | Screw, Machine | |
| | 1X 4638 | 4 | Locknut | |
| 36 | 155364001 | 2 | Clip | |
| 37 | 824025005 | 1 | Trim – 0.42' | |
| 38 | 37A0961 | 1 | Breaker, 15 Amp Circuit | |
| | 65R0070 | 1 | Seal | |
| 39 | 37A0960 | 4 | Breaker, 10 Amp Circuit | |
| | 65R0070 | 4 | Seal | |
| 40 | J6R0087 | 1 | Meter, Hour | |
| 41 | C4A0459 | 1 | Switch, Battery Disconnect | |
| 42 | C4A0459 | 1 | Switch, Battery Disconnect | |
| 43 | J7R0078 | 1 | Timer | |
| | 1X 7907 | 1 | Screw, Machine | |
| | 1X 4638 | 1 | Locknut | |
| 44 | REF | 1 | Upper Frame Wire Harness – See Keysheet 06–047 | |
| 45 | F8R0005 | 2 | Relay, 100 Amp | |
| | 126009002 | 4 | Capscrew | |
| | 128003001 | 8 | Washer | |
| | 127004001 | 4 | Locknut | |
| 46 | J7R0031 | 1 | Cable, Battery Disconnect Negative | |
| 47 | J7R0032 | 1 | Cable, Battery Disconnect Negative | |
| 48 | R3R0022 | 1 | Battery Cable Assy – Positive | |
| 49 | R3R0023 | 1 | Battery Cable Assy – Positive | |

Upper Wiring

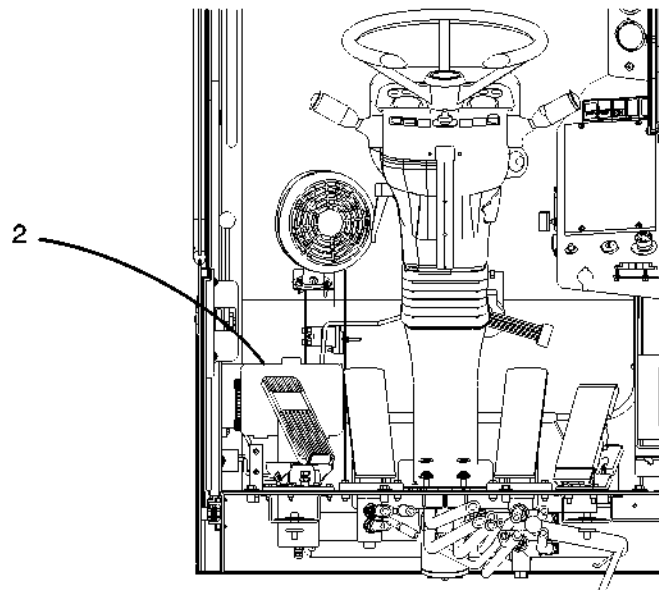
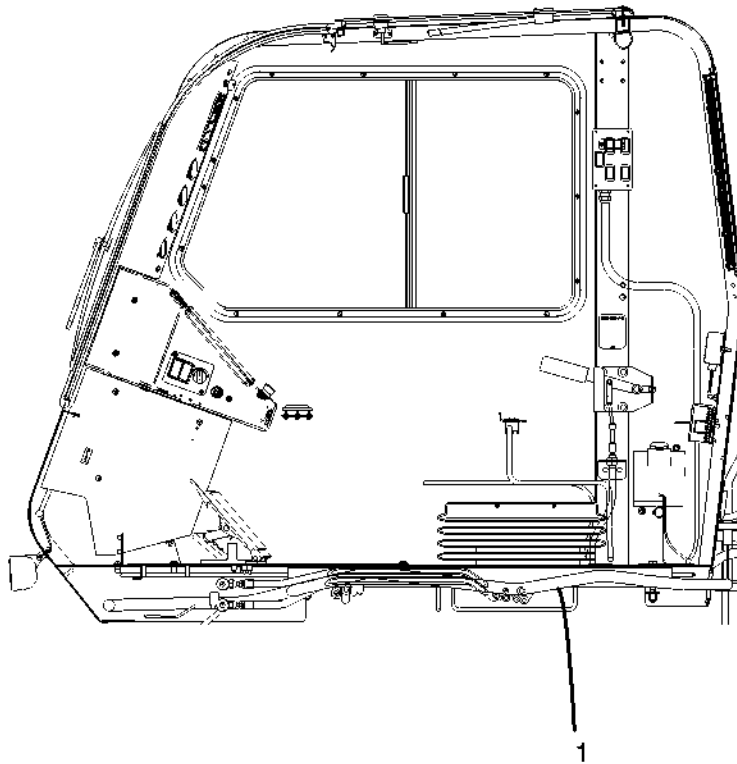


Parts List

0110

| Upper Wiring | | | | |
|--------------|-----------|-----|----------------------|---------|
| REF | PART NO. | QTY | DESCRIPTION | REMARKS |
| 50 | 1X 7904 | 2 | Screw, Machine | |
| | 1X 4638 | 2 | Locknut | |
| 51 | 824025005 | 1 | Trim – 0.83' | |
| 52 | F2R0094 | 1 | Diode Assy | |
| 53 | R3R0006 | 1 | Bracket, Power Panel | |
| | 128003004 | 2 | Washer | |
| 54 | 127004003 | 2 | Locknut | |
| | 1X 6408 | 1 | Clamp | |
| | 126006001 | 1 | Capscrew | |

Upper Cab Wire Harness



Parts List

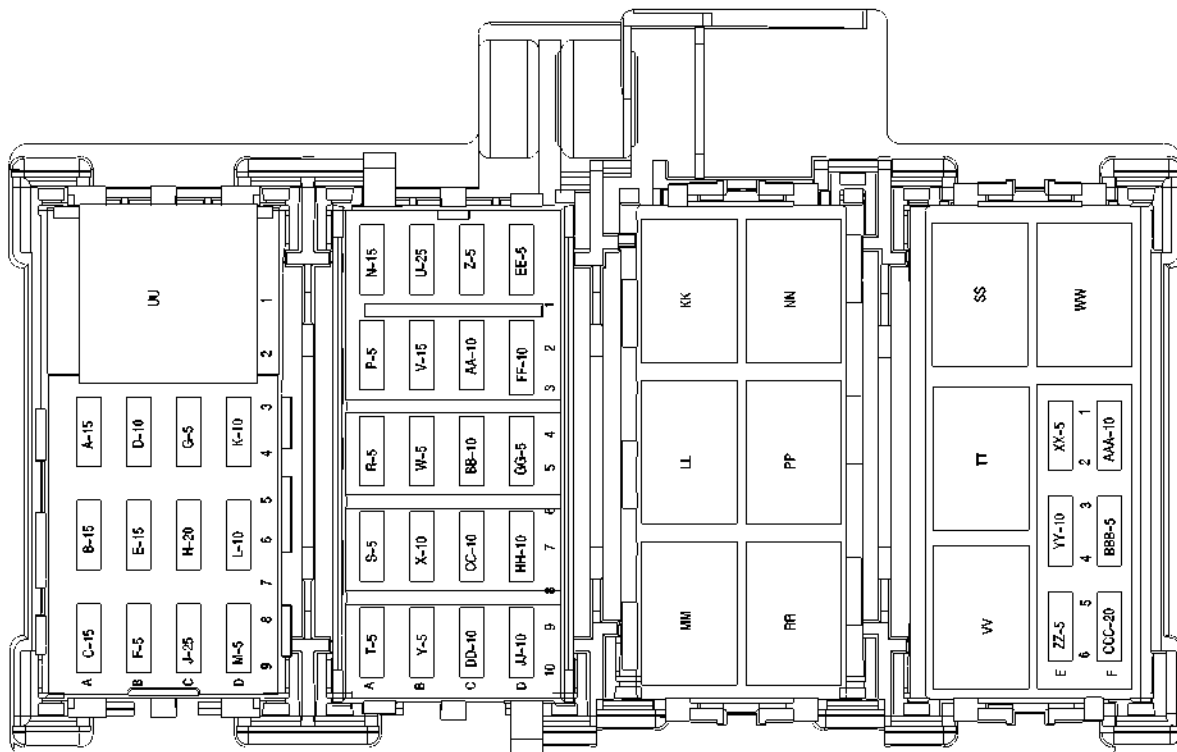
1109

Upper Cab Wire Harness

| | | | | | | | | | | | | | |
|------------------|------|------|------|------|------|-------|-------|---------------------|---------------------|--------------------------|-------------------------|-------------|---------------|
| HEATER FAN RELAY | | | | N-15 | U-25 | Z-5 | EE-5 | TRAVEL ALARM RELAY | RCL BYPASS RELAY | TRANS COOLER RELAY | REAR WINCH UP K/O RELAY | SPARE FUSES | |
| A-15 | D-10 | G-5 | K-10 | P-5 | V-15 | AA-10 | FF-10 | NEUTRAL START RELAY | THROTTLE LOCK RELAY | TRANS TEMP ALARM RELAY | XX-5 | AAA-10 | CAVITY RATING |
| B-15 | E-15 | H-20 | L-10 | R-5 | W-5 | BB-10 | GG-5 | DRIVING LIGHT RELAY | CRAB STEER RELAY | FRONT WINCH UP K/O RELAY | YY-10 | BBB-5 | BBB 5 |
| C-15 | F-5 | J-25 | M-5 | S-5 | X-10 | CC-10 | HH-10 | | | | ZZ-5 | CCC-20 | |

A-RUN RELAYS, GAUGES, START RELAY
B-UPPER LIGHTS
C-HZRD, TRN, BRK LIGHTS
D-DOME LIGHT, HORN
E-BOOM LIGHT
F-RCL DISPLAY
G-STROBE LIGHT
H-DRIVING LIGHTS
J-HEATER FAN
K-AXLE OSC LOCK, TRAVEL ALARM, STR REVERSAL
L-COMBINATION STEER
M-STEER ASSIST
N- WIPER, WASHER
P-SWING ALARM, FAN
R-DRI, WARNING LIGHTS
S-HEATER RELAY, HEAT CTRL
T-3RD WRAP INDICATOR (OPT)
U-OUTRIGGERS
V-TELESCOPE CONTROL
W-FUNCTION LOCKOUT
X-MAN TELE CTRL, AUTO/MAN BOOM
Y-TELE CNTRL, BOOM REEL SENSOR
Z-RCL DISPLAY
AA-O/R CONTROL
BB-12 VOLT ACCESSORY
CC-EXT LIGHT BAR (OPT)
DD-TRAN CPU, OVR SPD CTRL
EE-RCL BYPASS
FF-RCL BYPASS
GG-GAUGE ALARM
HH-WINCH CONTROL
JJ-PARK BRAKE, TRANS, OIL CLR
XX-SWG, B/H, WINCH CTRL
YY-TOP HATCH WIPER
ZZ-BRAKE WARNING
AAA-FINE METERING, CTWT
RMVL
BBB-FLY CNTRL (OPT)
CCC-TILT SEAT

Fuse ID Label



Fuse Panel

Upper Cab Wire Harness

| CHART #1 | | |
|-------------------|--------------|--------------------------------------|
| LBCE PART NUMBERS | Fuse Ratings | Fuse Locations |
| F8R0039 | 5 | F,G,M,P,R,S,T,W,Y,Z,EE,GG,XX,ZZ,BBB* |
| F8R0038 | 7.5 | |
| F8R0037 | 10 | D,K,L,X,AA,BB,CC,DD,FF,HH,JJ,YY,AAA |
| E9R0128 | 15 | A,B,C,E,N,V |
| E9R0129 | 20 | H,CCC |
| E9R0130 | 25 | J,U |
| | | |
| NOTE: *SPARE FUSE | | |

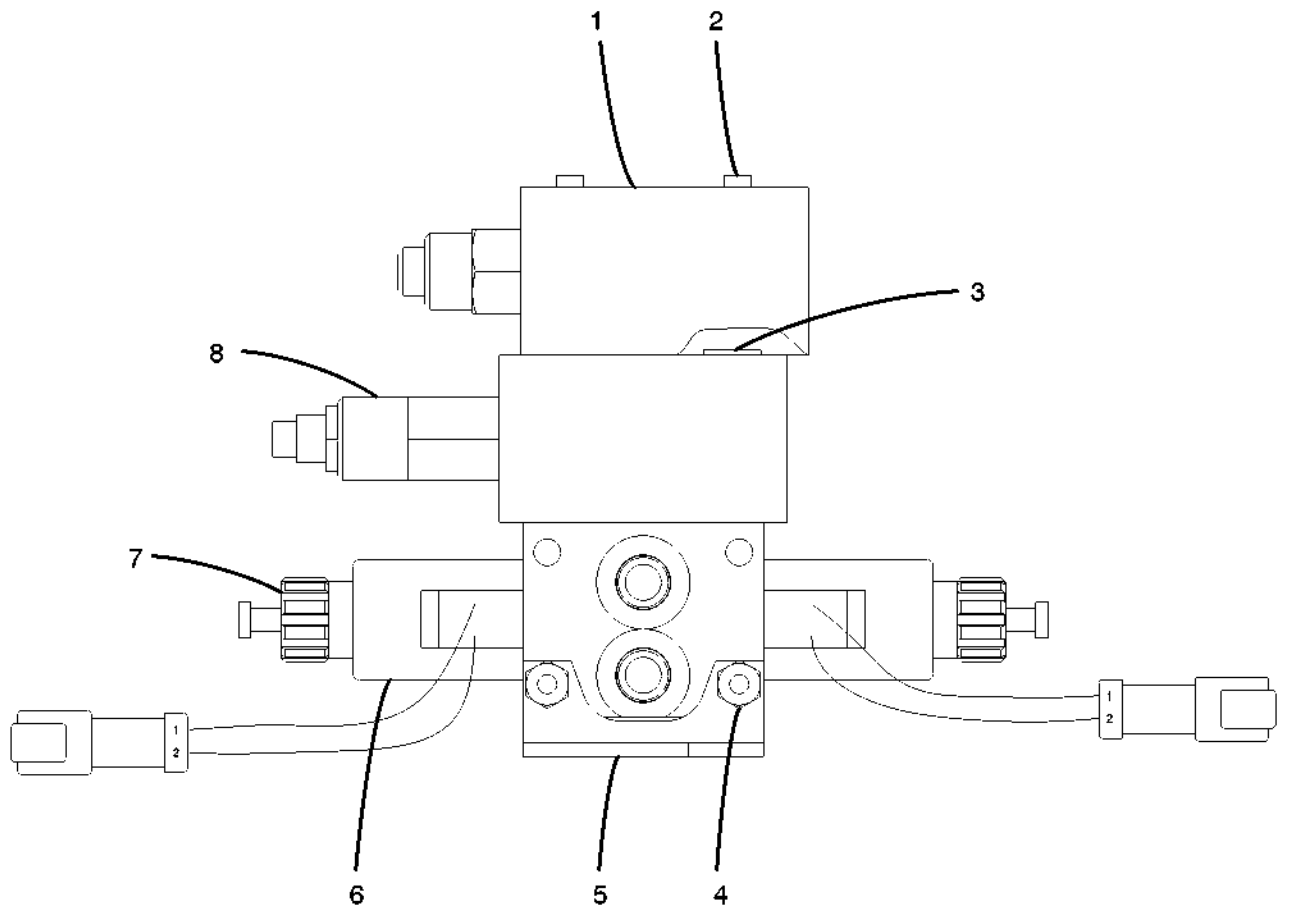
| CHART #2 | | | | | | |
|----------------------------|------------------|-----------------------|-------|----------|-------|----------|
| RELAY MODULE LOCATION | LBCE PART NUMBER | TERMINAL AND WIRE LOC | | | | |
| | | 85 | 86 | 87 | 87A | 30 |
| KK | N3R0066 | A1 | A2 | A5 | A4 | A3 |
| | | 430E | 430F* | 522A | ---- | 430A |
| LL | N3R0066 | B1 | B2 | B5 | B4 | B3 |
| | | 201E | 201D* | 201C | ---- | 201A |
| MM | N3R0066 | C1 | C2 | C5 | C4 | C3 |
| | | 401B | 401C* | 401E | ---- | 401D |
| NN | N3R0066 | F1 | F2 | F5 | F4 | F3 |
| | | 349N | 349R* | 349T | ---- | 349R |
| PP | N3R0066 | E1 | E2 | E5 | E4 | E3 |
| | | 201F | 201G* | CAT 035E | ----- | CAT 035B |
| RR | N3R0066 | D1 | D2 | D5 | D4 | D3 |
| | | 716E | 716F* | ---- | 716D | 716C |
| SS | N3R0066 | A1 | A2 | A5 | A4 | A3 |
| | | 231B | 231E | 231D* | ---- | 231C |
| TT | N3R0066 | B1 | B2 | B5 | B4 | B3 |
| | | 314F | 314G* | 314E | ---- | 314D |
| UU | E9R0127 | B3 | C1 | B1 | B2 | C3 |
| | | 602C | 602D | 602G | ---- | 602F |
| VV | N3R0066 | C1 | C2 | C5 | C4 | C3 |
| | | 724B | 724F* | ---- | 724D7 | 24C |
| WW | N3R0066 | D1 | D2 | D5 | D4 | D3 |
| | | 725B | 724E | ---- | 725D | 725C |
| NOTE: *SEE DUAL WIRE CHART | | | | | | |

Parts List

1109

| Upper Cab Wire Harness | | | | |
|------------------------|----------|-----|--|------------|
| REF | PART NO. | QTY | DESCRIPTION | REMARKS |
| 1 | R3R0077 | 1 | Upper Cab Wire Harness | |
| | F8R0039 | 15 | Fuse, 5 Amp | |
| | F8R0037 | 13 | Fuse, 10 Amp Mini | |
| | E9R0128 | 6 | Fuse, 15 Amp | |
| | E9R0129 | 2 | Fuse, 20 Amp | |
| | E9R0130 | 2 | Fuse, 25 Amp | |
| | N3R0066 | 10 | Relay, Micro ISO | |
| | E9R0127 | 1 | Relay, 40 Amp | |
| | D3R0153 | 1 | Module, 2 Diodes – (R3) Auto/Manual Boom | |
| | P9R0091 | 1 | Module, Resistor – (R3) Auto/Manual Boom | |
| | N4R0106 | 6 | Module, Resistor – (R3) Auto/Manual Boom | |
| | D3R0154 | 1 | Module, 2 Diodes – (H1) Manual Boom Controller | |
| | D3R0155 | 1 | Module, 1 Diode – (E2) Flasher | |
| | D3R0155 | 1 | Module, 1 Diode – (B2) Heater/AC | |
| | D3R0155 | 1 | Module, 1 Diode – (B1) Overspeed Alarm | |
| | D3R0154 | 1 | Module, 2 Diodes – (B1) Overspeed Alarm | |
| | 2 | REF | | Fuse Panel |

4 Way Solenoid Valve Assy

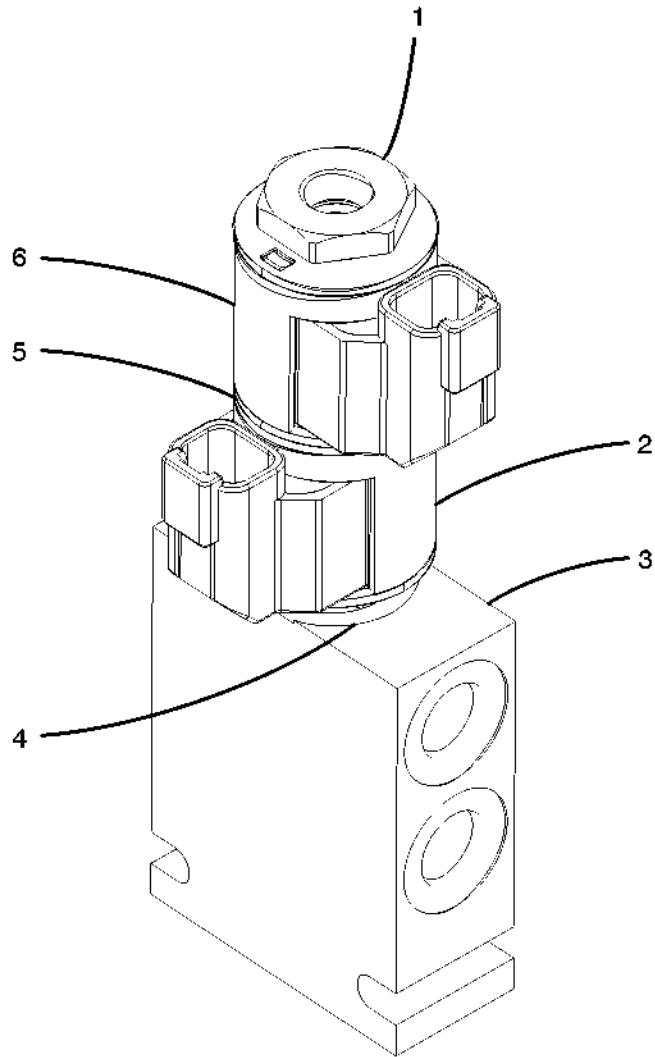


Parts List

0607

| 4 Way Solenoid Valve Assy | | | | |
|---------------------------|----------|-----|-------------------------------------|---------|
| REF | PART NO. | QTY | DESCRIPTION | REMARKS |
| | N4J0175 | 1 | 4 Way Solenoid Valve Assy | |
| 1 | 3J 17943 | 1 | Counterbalance Valve Assy | |
| 2 | 3J 17946 | 4 | Capscrew | KA |
| | 3J 14658 | 4 | Lockwasher | KA |
| 3 | 3J 17947 | 2 | O-ring | KA |
| 4 | 3J 17945 | 2 | Rod, Tie | KB |
| | 3J 14658 | 4 | Lockwasher | KB |
| | 3J 14659 | 4 | Nut | KB |
| 5 | 3J 11997 | 2 | Bracket, Mounting | KB |
| | 3J 17941 | 1 | Solenoid Valve Assy | |
| 6 | 3J 17948 | 1 | Coil, Solenoid | |
| | 3J 11991 | 1 | Nut, Coil | |
| 7 | 3J 17609 | 1 | Solenoid Tube Assy | |
| | 3J 17619 | 1 | Relief Valve Assy | |
| 8 | 3J 17621 | 1 | Valve, Cross-Over Relief | |
| | 3J 17618 | 1 | Kit, Seal | |
| | 3J 17944 | 1 | Kit, Stacking - All Items Marked KA | |
| | 3J 17942 | 1 | Kit, Banking - All Items Marked KB | |

Lock Valve Assy

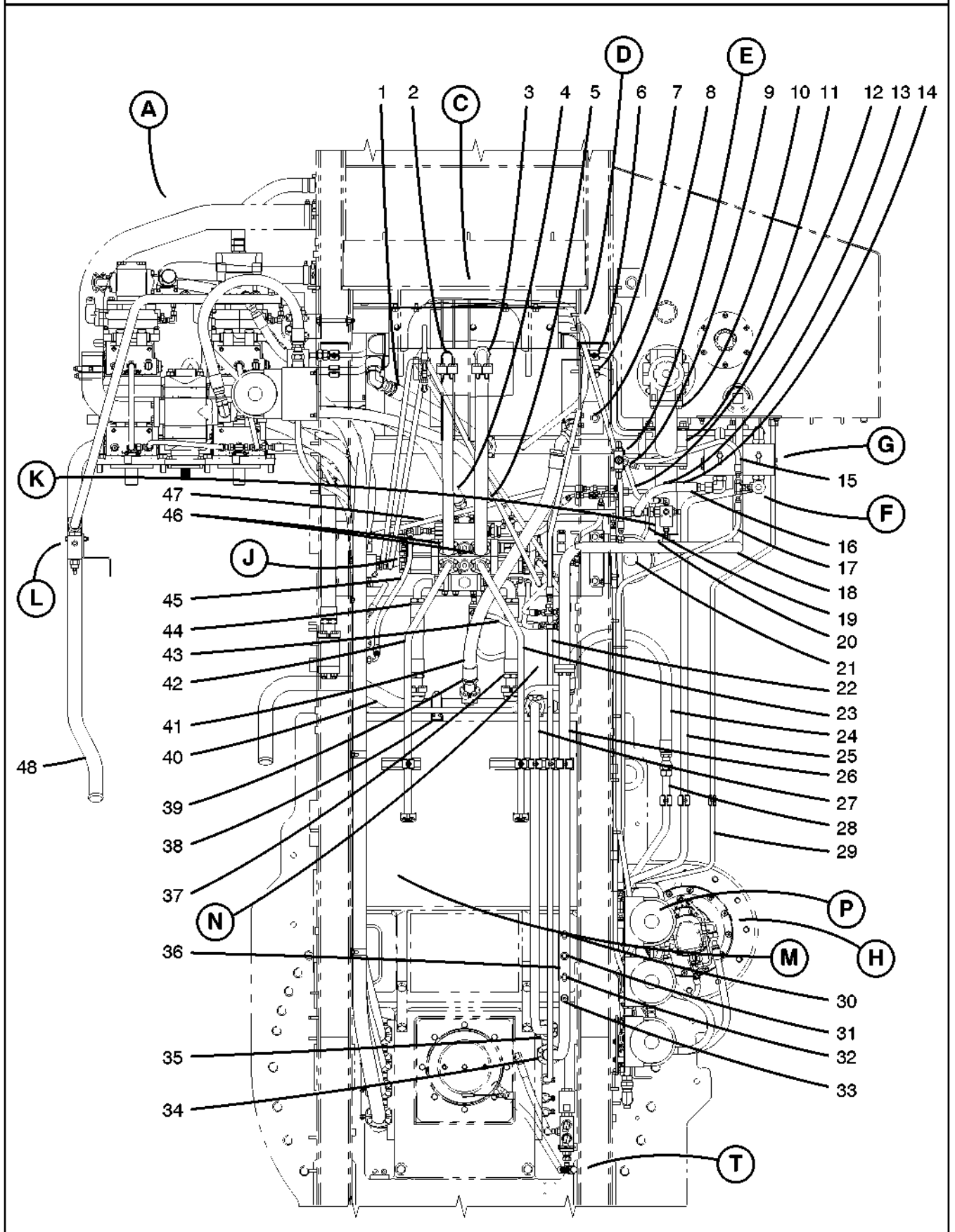


Parts List

1009

| Lock Valve Assy | | | | |
|-----------------|----------|-----|-----------------|---------|
| REF | PART NO. | QTY | DESCRIPTION | REMARKS |
| | J8J0130 | 1 | Lock Valve Assy | |
| 1 | 3J 18144 | 1 | Nut, Coil | |
| 2 | 3J 18146 | 1 | Coil | |
| 3 | REF | 1 | Body | NSS |
| 4 | 3J 18143 | 1 | Cartridge | |
| | 3J 12278 | 1 | Kit, Seal | |
| 5 | 3J 18145 | 1 | Spacer, Coil | |
| 6 | 3J 18146 | 1 | Coil | |

Upper Main Hydraulics



Parts List

0211

| Upper Main Hydraulics | | | | |
|-----------------------|-----------|-----|---------------------|---------|
| REF | PART NO. | QTY | DESCRIPTION | REMARKS |
| 1 | R3J0288 | 1 | Hose Assy | |
| | 20J0084 | 2 | Flange, Split | |
| | 20J0771 | 1 | O-ring | |
| | 126009102 | 4 | Capscrew | |
| 2 | R3J0108 | 1 | Hose Assy | |
| | 31J0237 | 2 | Flange, Split | |
| | 20J0771 | 1 | O-ring | |
| | 126009029 | 4 | Capscrew | |
| 3 | R3J0107 | 1 | Hose Assy | |
| | 31J0237 | 2 | Flange, Split | |
| | 20J0771 | 1 | O-ring | |
| | 126009029 | 4 | Capscrew | |
| 4 | R3J0110 | 1 | Hose Assy | |
| | 16J0201 | 2 | Flange, Split | |
| | 20J0990 | 1 | O-ring | |
| | 126009014 | 4 | Capscrew | |
| 5 | R3J0111 | 1 | Hose Assy | |
| 6 | R3J0304 | 1 | Tube Assy | |
| | 26F0089 | 2 | Clamp | |
| 7 | R3J0264 | 1 | Tube Assy | |
| | 20J2909 | 2 | Clamp | |
| 8 | 126009040 | 2 | Capscrew | |
| | 128003006 | 4 | Washer | |
| | 127004005 | 2 | Locknut | |
| 9 | D6J0690 | 1 | Disconnect, Quick | |
| 10 | R3J0064 | 1 | Tube Assy | |
| | 31J0179 | 1 | O-ring | |
| | 126009029 | 4 | Capscrew | |
| 11 | B6M0336 | 1 | Plate | |
| | F9M0075 | 1 | Clamp | |
| | 126009136 | 2 | Capscrew | |
| | 128003008 | 2 | Washer | |
| | 127004006 | 2 | Locknut | |
| 12 | 65J0446 | 1 | Hose Assy | |
| 13 | 1X 7443 | 1 | Cap | |
| 14 | 47R0122 | 1 | Sender, Temperature | |
| 15 | R3J0279 | 1 | Hose Assy | |
| 16 | J7J0880 | 1 | Hose Assy | |
| 17 | 70J0105 | 1 | Hose Assy | |
| 18 | R3J0085 | 1 | Tube Assy | |
| | 20J0771 | 1 | O-ring | |
| | 126009102 | 4 | Capscrew | |
| 19 | R3J0170 | 1 | Tube Assy | |
| 20 | 20J1795 | 1 | Plug, Split Flange | |
| | 16J0201 | 2 | Flange, Split | |
| | 20J0990 | 1 | O-ring | |
| | 126009014 | 4 | Capscrew | |
| 21 | E8J0229 | 1 | Accumulator | |
| | R3J0171 | 1 | Bracket | |
| | 112015007 | 1 | Clamp | |
| | 1X 7388 | 1 | Elbow | |

Parts List

0211

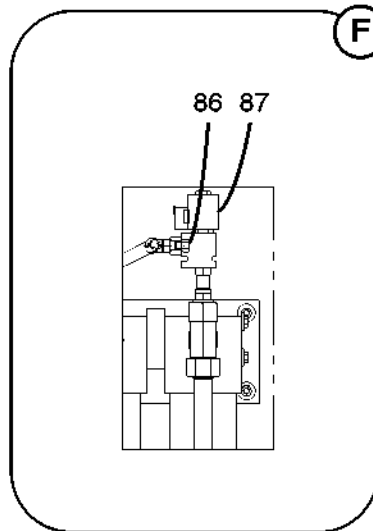
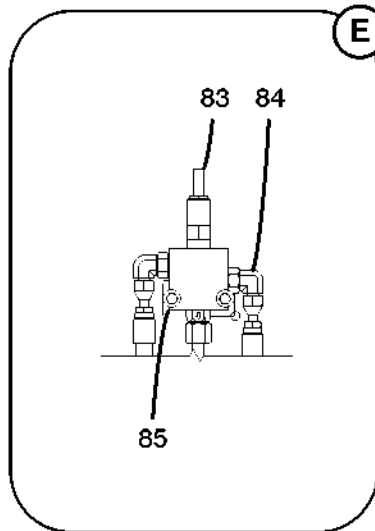
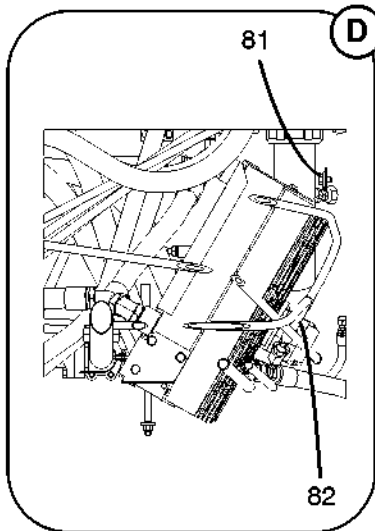
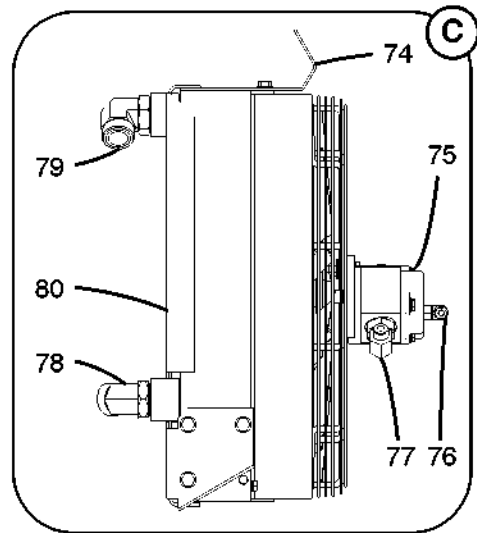
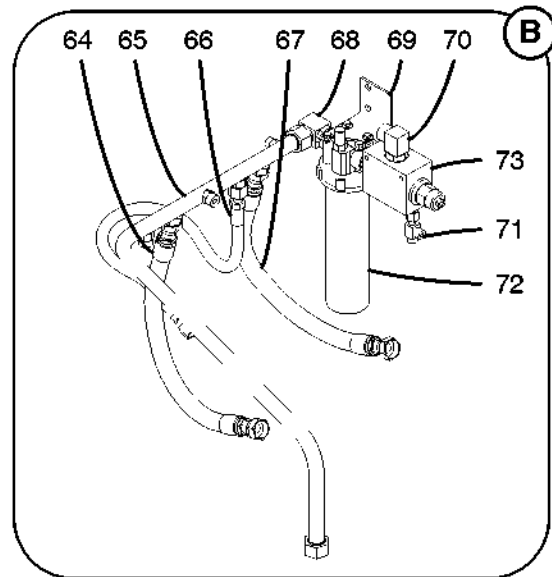
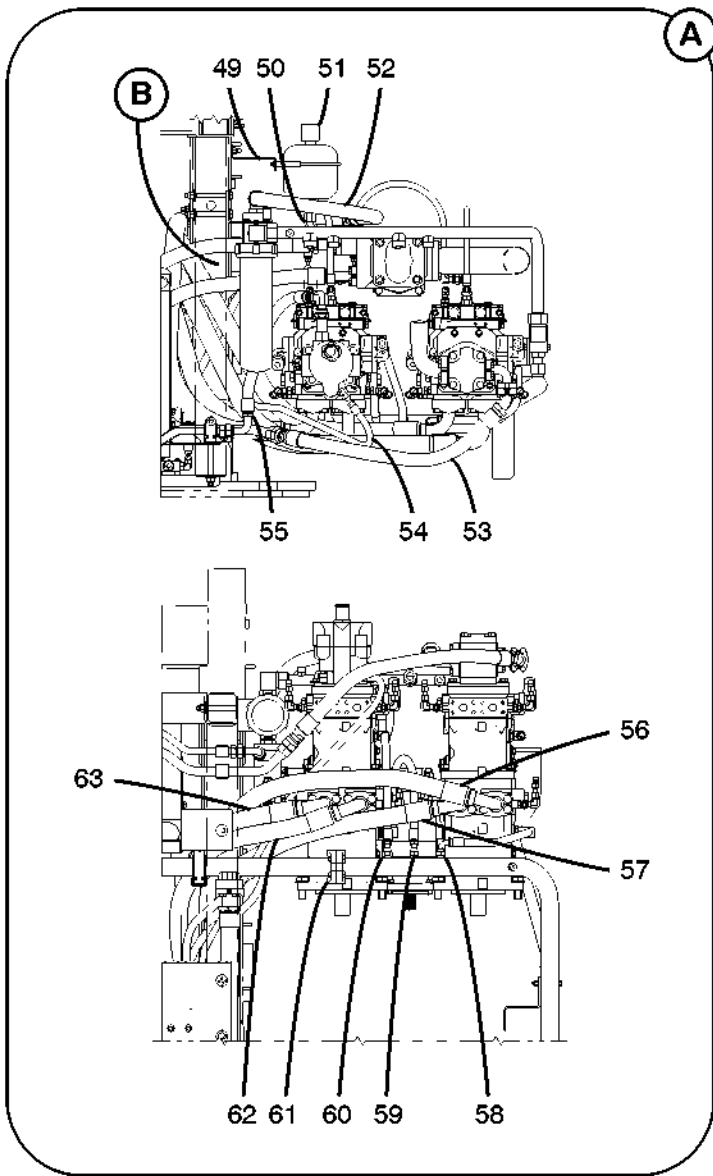
07-004-542.00

| Upper Main Hydraulics | | | | |
|-----------------------|-----------|-----|--|---------|
| REF | PART NO. | QTY | DESCRIPTION | REMARKS |
| 22 | R3J0086 | 1 | Tube Assy | |
| | 26F0089 | 1 | Clamp | |
| 23 | R3J0062 | 1 | Tube Assy | |
| | 20J0990 | 1 | O-ring | |
| | 126009014 | 4 | Capscrew | |
| | 20J2909 | 1 | Clamp | |
| 24 | J8J0133 | 1 | Hose Assy | |
| 25 | R3J0166 | 1 | Tube Assy | |
| | 20J2909 | 1 | Clamp | |
| 26 | J7J0963 | 1 | Tube Assy | |
| | 20J0771 | 1 | O-ring | |
| | 126009102 | 4 | Capscrew | |
| | 20J2910 | 1 | Clamp | |
| 27 | R3J0066 | 1 | Tube Assy | |
| | 20J0771 | 1 | O-ring | |
| | 126009102 | 4 | Capscrew | |
| | 25J0640 | 1 | Clamp | |
| 28 | R3J0262 | 1 | Tube Assy | |
| | 20J2909 | 1 | Clamp | |
| 29 | R3J0168 | 1 | Tube Assy | |
| | 29A0124 | 1 | Clamp | |
| 30 | J7R0145 | 1 | Switch, Thermostat | |
| 31 | J7R0146 | 1 | Switch, Thermostat | |
| 32 | J7R0147 | 1 | Switch, Thermostat | |
| 33 | J7R0108 | 1 | Sender, Temperature | |
| 34 | 126009102 | 4 | Capscrew | |
| | 20J0771 | 1 | O-ring | |
| 35 | 126009102 | 4 | Capscrew | |
| | 20J0771 | 1 | O-ring | |
| 36 | J7P0138 | 1 | Label, Transmission Oil Temperature Switch | |
| 37 | R3J0059 | 1 | Hose Assy | |
| | 20J0084 | 2 | Flange, Split | |
| | 20J0771 | 1 | O-ring | |
| | 126009102 | 4 | Capscrew | |
| 38 | 20J2914 | 1 | Clamp | |
| 39 | R3J0273 | 1 | Hose Assy | |
| | 20J0084 | 2 | Flange, Split | |
| | 20J0771 | 1 | O-ring | |
| | 126009102 | 4 | Capscrew | |
| 40 | R3J0260 | 1 | Tube Assy | |
| 41 | R3J0263 | 1 | Tube Assy | |
| | 20J3041 | 1 | O-ring | |
| | 126009028 | 4 | Capscrew | |
| 42 | R3J0063 | 1 | Tube Assy | |
| | 20J0990 | 1 | O-ring | |
| | 126009014 | 4 | Capscrew | |
| | 20J2909 | 1 | Clamp | |
| 43 | 65J0444 | 1 | Hose Assy | |
| 44 | R3J0059 | 1 | Hose Assy | |
| | 20J0084 | 2 | Flange, Split | |
| | 20J0771 | 1 | O-ring | |
| | 126009102 | 4 | Capscrew | |

Parts List

0211

Upper Main Hydraulics



Parts List

0211

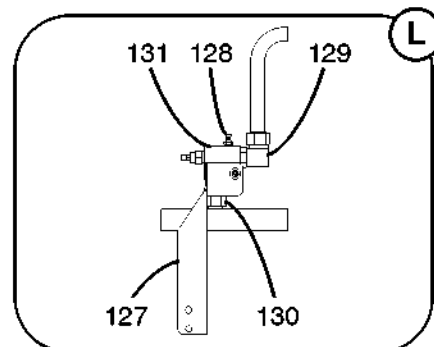
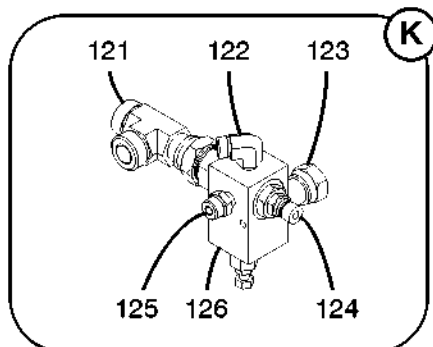
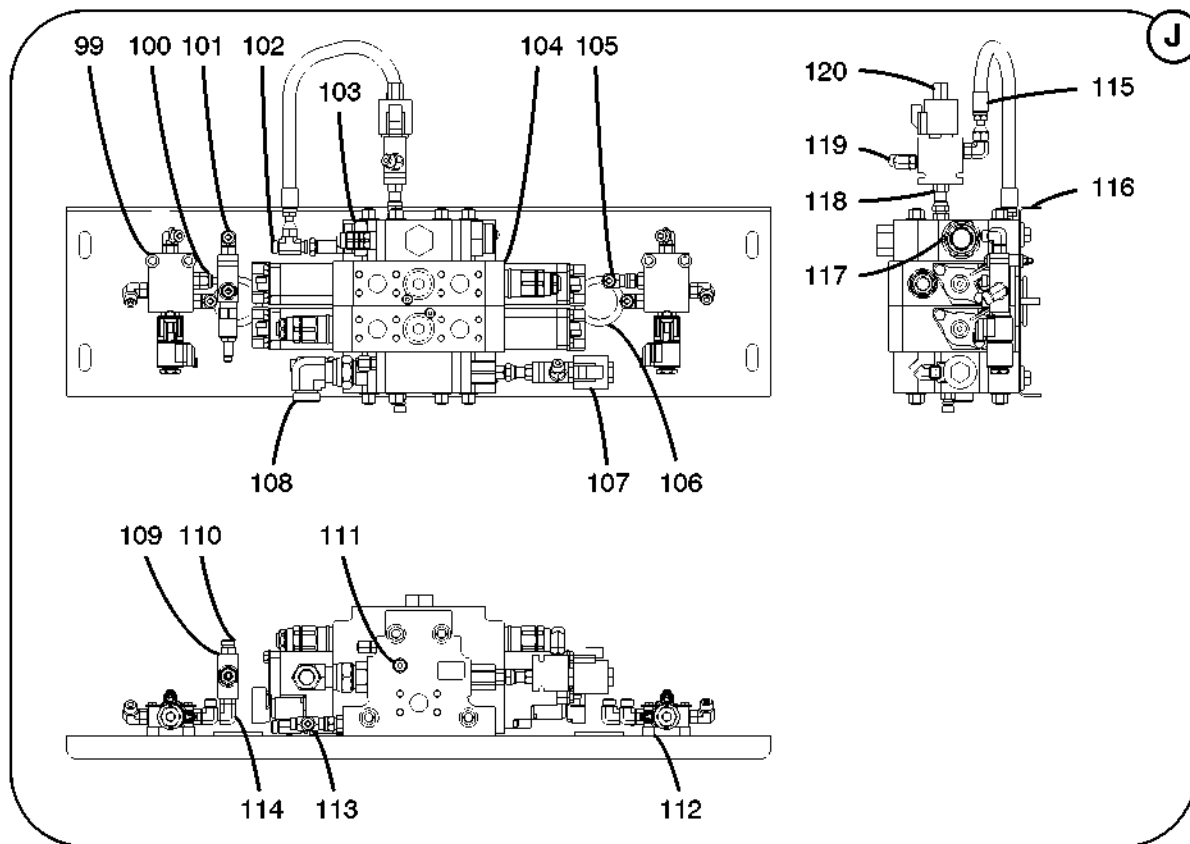
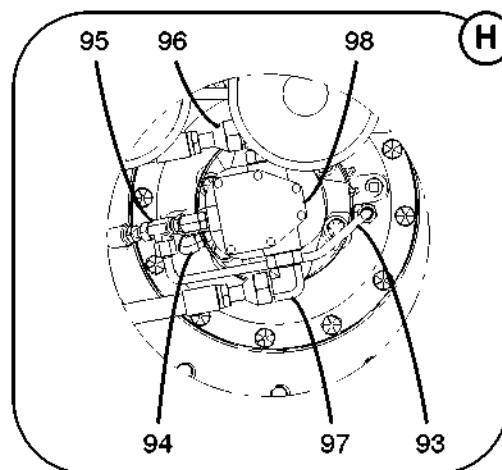
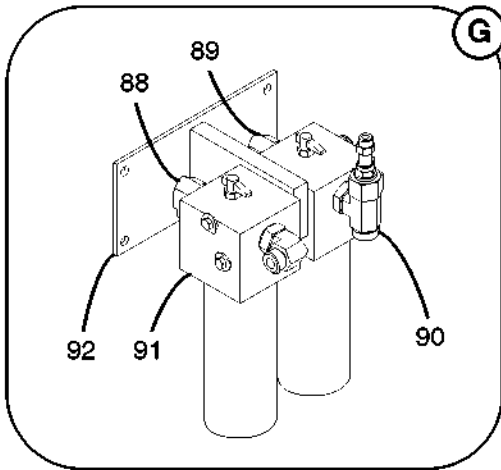
07-004-542.00

| Upper Main Hydraulics | | | | |
|-----------------------|-----------|-----|------------------------|---------|
| REF | PART NO. | QTY | DESCRIPTION | REMARKS |
| 45 | D6J0503 | 1 | Hose Assy | |
| 46 | 16J0201 | 4 | Flange, Split | |
| | 20J0990 | 2 | O-ring | |
| | 126009014 | 8 | Capscrew | |
| 47 | H9J0053 | 1 | Hose Assy | |
| | 1X 7415 | 1 | Tee | |
| 48 | R3J0173 | 1 | Tube Assy | |
| 49 | J7J0808 | 1 | Bracket | |
| | 128003004 | 2 | Washer | |
| | 127004003 | 2 | Locknut | |
| 50 | J7J0809 | 1 | Hose Assy | |
| 51 | E8J0229 | 1 | Accumulator | |
| | 1X 7447 | 1 | Connector | |
| | 112015007 | 1 | Clamp | |
| 52 | J7J0790 | 1 | Hose Assy | |
| 53 | R3J0106 | 1 | Hose Assy | |
| | 16J0201 | 2 | Flange, Split | |
| | 20J0990 | 1 | O-ring | |
| | 126009014 | 4 | Capscrew | |
| 54 | 70J0111 | 1 | Hose Assy | |
| 55 | R3J0105 | 1 | Hose Assy | |
| 56 | R3J0091 | 1 | Hose Assy | |
| | KTJ0029 | 2 | Flange, Split | |
| | 20J0771 | 1 | O-ring | |
| | 126006093 | 4 | Capscrew | |
| 57 | J7J0511 | 1 | Hose Assy | |
| | KTJ0029 | 2 | Flange, Split | |
| | 20J0771 | 1 | O-ring | |
| | 126006093 | 4 | Capscrew | |
| 58 | D7J0181 | 1 | Hose Assy | |
| 59 | H9J0039 | 1 | Hose Assy | |
| 60 | D6J0007 | 1 | Hose Assy | |
| 61 | 20J3041 | 1 | O-ring | |
| | 126009028 | 4 | Capscrew | |
| 62 | R3J0090 | 1 | Hose Assy | |
| | KTJ0029 | 2 | Flange, Split | |
| | 20J0771 | 1 | O-ring | |
| | 126006093 | 4 | Capscrew | |
| 63 | J7J0428 | 1 | Hose Assy | |
| | KTJ0029 | 2 | Flange, Split | |
| | 20J0771 | 1 | O-ring | |
| | 126006093 | 4 | Capscrew | |
| | R3J0204 | 1 | Charge Flow Filter S/A | NSS |
| 64 | R3J0203 | 1 | Hose Assy | |
| 65 | J7J0805 | 1 | Tube Assy | |
| 66 | J7J0426 | 1 | Hose Assy | |
| 67 | R3J0203 | 1 | Hose Assy | |
| 68 | 1X 7828 | 1 | Elbow | |
| 69 | J7J0509 | 1 | Bracket | |
| | 126009129 | 3 | Capscrew | |
| | 128003002 | 3 | Washer | |

Parts List

0211

Upper Main Hydraulics



Parts List

0211

07-004-542.00

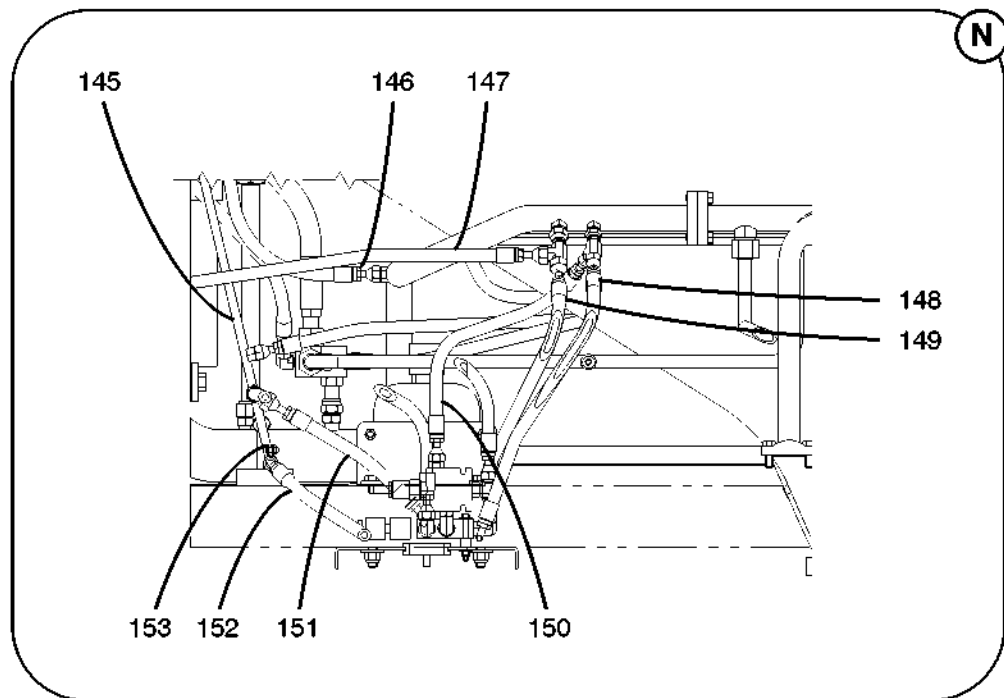
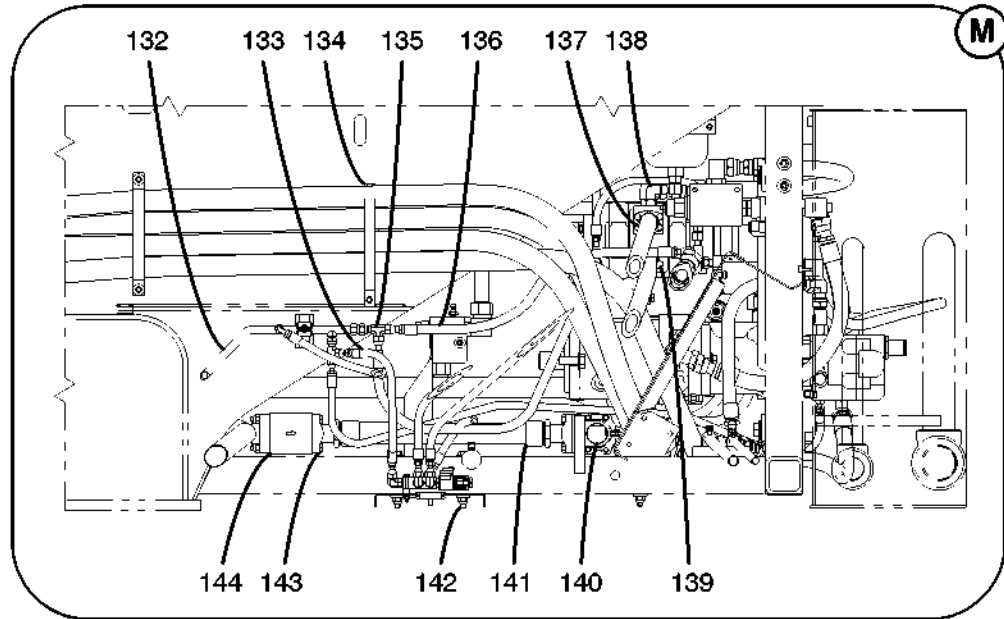
| Upper Main Hydraulics | | | | |
|-----------------------|-----------|-----|---|---------|
| REF | PART NO. | QTY | DESCRIPTION | REMARKS |
| 70 | 1X 7392 | 1 | Elbow | |
| 71 | 1X 7415 | 1 | Tee | |
| 72 | REF | 1 | Charge Pump Filter Assy – See Keysheet 07-005 | |
| 73 | 155061001 | 1 | Connector | |
| | 155062001 | 2 | Sleeve, Terminal | |
| | 155064001 | 2 | Seal, Cable | |
| | 155065001 | 1 | Plug | |
| | 1X 7789 | 1 | Adaptor | |
| | J7J0954 | 1 | Valve, Pressure Reducing | |
| | 3J 17333 | 1 | Valve, Relief | |
| | 3J 14519 | 1 | Kit, Seal | |
| | 126009040 | 2 | Capscrew | |
| | 128003006 | 4 | Washer | |
| | 127004005 | 2 | Locknut | |
| | R3J0259 | 1 | Auxiliary Oil Cooler S/A | NSS |
| 74 | R3J0302 | 1 | Guard, Oil Cooler | |
| | 126006001 | 3 | Capscrew | |
| | 128002007 | 3 | Washer | |
| 75 | 1X 7454 | 1 | Connector | |
| 76 | 1X 7385 | 1 | Elbow | |
| 77 | 1X 7710 | 1 | Elbow | |
| 78 | 1X 7942 | 1 | Elbow | |
| 79 | 1X 7450 | 1 | Elbow | |
| 80 | REF | 1 | Oil Cooler Assy – See Keysheet 06-001 | |
| | 126006016 | 6 | Capscrew | |
| | 128002007 | 6 | Washer | |
| 81 | 126009107 | 4 | Capscrew | |
| | 128003006 | 4 | Washer | |
| 82 | 71J0103 | 1 | Hose Assy | |
| | R3J0082 | 1 | Pressure Reducing Valve S/A | NSS |
| 83 | D7J0561 | 1 | Valve, Pressure Reducing | |
| | 3J 17262 | 1 | Cartridge | |
| | 3J 17263 | 1 | Kit, Seal | |
| 84 | 1X 7386 | 2 | Elbow | |
| 85 | 65J1330 | 1 | Valve, Check | |
| | 126009005 | 2 | Capscrew | |
| | 128003001 | 2 | Washer | |
| 86 | J7J0957 | 1 | Disc, Orifice | |
| | 1X 7394 | 1 | Tee | |
| | 1X 5596 | 1 | Reducer | |
| 87 | J7J0900 | 1 | Valve, 2 Way Solenoid | |
| | 3J 17141 | 1 | Cartridge | |
| | 3J 13193 | 1 | Kit, Seal | |
| | J7J0864 | 1 | Pressure Filter S/A | NSS |
| 88 | 1X 7744 | 2 | Elbow | |
| 89 | 1X 7392 | 1 | Elbow | |
| 90 | 1X 7397 | 1 | Tee | |
| | 1X 7463 | 1 | Connector | |
| | 1X 7492 | 1 | Reducer | |
| | 1X 7365 | 1 | Nut, Tube | |

Parts List

0211

| Upper Main Hydraulics | | | | |
|-----------------------|-----------|-----|--|---------|
| REF | PART NO. | QTY | DESCRIPTION | REMARKS |
| 91 | J7J0850 | 2 | Filter | |
| | J7J0893 | 1 | Element, Filter | |
| | 126009090 | 4 | Capscrew | |
| | 128003004 | 4 | Washer | |
| 92 | J7J0883 | 1 | Bracket | |
| | 128003004 | 4 | Washer | |
| | 127004003 | 4 | Locknut | |
| 93 | J7J0976 | 1 | Tube Assy | |
| | 1X 7446 | 1 | Connector | |
| 94 | 1X 7536 | 1 | Elbow | |
| | R3J0178 | 1 | Swing Motor S/A | NSS |
| 95 | 1X 7414 | 1 | Tee | |
| | 1X 7382 | 1 | Elbow | |
| 96 | E8J0147 | 1 | Hose Assy | |
| | 1X 7390 | 1 | Elbow | |
| 97 | J7J0406 | 1 | Hose Assy | |
| | 1X 7390 | 1 | Elbow | |
| 98 | REF | 1 | Swing Motor Assy – See Keysheet 07–006 | |
| | 126009040 | 2 | Capscrew | |
| | 38J0039 | 1 | O–ring | |
| | R3J0290 | 1 | Boom Hoist/Telescope Control Valve S/A | NSS |
| 99 | REF | 2 | Counterweight Lock Valve Assy – See Keysheet 03–010 | |
| | 1X 7385 | 6 | Elbow | |
| | 126009009 | 6 | Capscrew | |
| | 128003001 | 8 | Washer | |
| | 127004001 | 4 | Locknut | |
| 100 | 1X 7368 | 1 | Connector | |
| 101 | 1X 7385 | 1 | Elbow | |
| 102 | 1X 7414 | 1 | Tee | |
| | 1X 7379 | 1 | Connector | |
| 103 | 1X 7685 | 1 | Connector | |
| 104 | REF | 1 | Boom Hoist/Telescope Control Valve Assy – See Keysheet 07–008 | |
| 105 | 1X 7404 | 1 | Elbow | |
| | 1X 7368 | 1 | Connector | |
| 106 | J7N0025 | 2 | Grommet | |
| 107 | N4J0162 | 1 | Valve, Solenoid | |
| | 3J 17687 | 1 | Kit, Seal | |
| | 1X 7382 | 1 | Elbow | |
| | 1X 7462 | 1 | Connector, Swivel | |
| | 1X 7367 | 1 | Connector | |
| 108 | 1X 7408 | 1 | Elbow | |
| | 1X 7377 | 1 | Connector | |
| 109 | R3J0291 | 1 | Valve, Pressure Reducing | |
| | 3J 18232 | 1 | Cartridge | |
| | 3J 17263 | 1 | Kit, Seal | |
| 110 | 1X 7368 | 1 | Connector | |
| 111 | 43J2555 | 1 | Coupler, Quick Disconnect | |
| 112 | F7L0017 | 4 | Spacer | |

Upper Main Hydraulics



Parts List

0211

| Upper Main Hydraulics | | | | |
|-----------------------|-----------|-----|---|---------|
| REF | PART NO. | QTY | DESCRIPTION | REMARKS |
| 113 | 1X 7414 | 1 | Tee | |
| | 1X 7368 | 1 | Connector | |
| 114 | 1X 7559 | 1 | Elbow | |
| 115 | 65J1115 | 1 | Hose Assy | |
| | 1X 7385 | 1 | Elbow | |
| 116 | R3J0297 | 1 | Bracket | |
| | 126009028 | 3 | Capscrew | |
| | 128003006 | 3 | Washer | |
| 117 | 1X 7685 | 1 | Connector | |
| 118 | 1X 7462 | 1 | Connector, Swivel | |
| | 1X 7368 | 1 | Connector | |
| 119 | 1X 7382 | 1 | Elbow | |
| 120 | R3J0067 | 1 | Valve, Reducing | |
| | 3J 16420 | 1 | Cartridge | |
| | 3J 16419 | 1 | Kit, Seal | |
| | R3J0092 | 1 | Relief Valve S/A | NSS |
| 121 | 1X 7417 | 1 | Tee | |
| | 1X 7468 | 1 | Connector | |
| 122 | 1X 7460 | 1 | Elbow | |
| 123 | 1X 7625 | 1 | Connector | |
| 124 | 43J2552 | 1 | Coupler, Quick Disconnect | |
| | 1X 6782 | 1 | Reducer | |
| 125 | 1X 7446 | 1 | Connector | |
| 126 | REF | 1 | Relief Valve Assy – See Keysheet 07–008 | |
| | 1X 7513 | 1 | Cap | |
| 127 | J7J0794 | 1 | Plate | |
| | J7J0789 | 1 | Relief Valve S/A | NSS |
| 128 | 43J2551 | 1 | Coupling | |
| 129 | 1X 7828 | 1 | Elbow | |
| 130 | 1X 7623 | 1 | Connector | |
| 131 | D7J0393 | 1 | Valve, Relief | |
| | 3J 13570 | 1 | Cartridge | |
| | 3J 13571 | 1 | Kit, Seal | |
| | 126009021 | 1 | Capscrew | |
| | 128003004 | 2 | Washer | |
| | 127004003 | 1 | Locknut | |
| 132 | J7J0876 | 1 | Tube Assy | |
| | 26F0089 | 1 | Clamp | |
| 133 | 69J0393 | 1 | Hose Assy | |
| | 1X 7414 | 2 | Tee | |
| 134 | J7J0658 | 3 | Bracket | |
| | 128003004 | 6 | Washer | |
| | 127004003 | 6 | Locknut | |
| 135 | D7J0092 | 1 | Hose Assy | |
| | 1X 7415 | 1 | Tee | |
| 136 | 65J0433 | 1 | Hose Assy | |
| 137 | 65J1084 | 1 | Block, Manifold | |
| | 16J0201 | 2 | Flange, Split | |
| | 20J0990 | 2 | O–ring | |
| | 126009021 | 4 | Capscrew | |

Parts List

0211

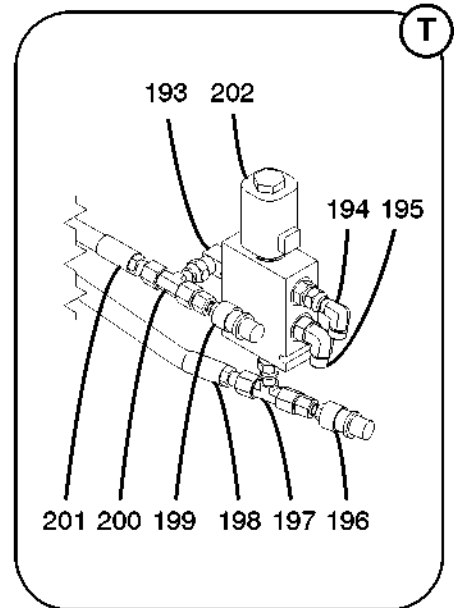
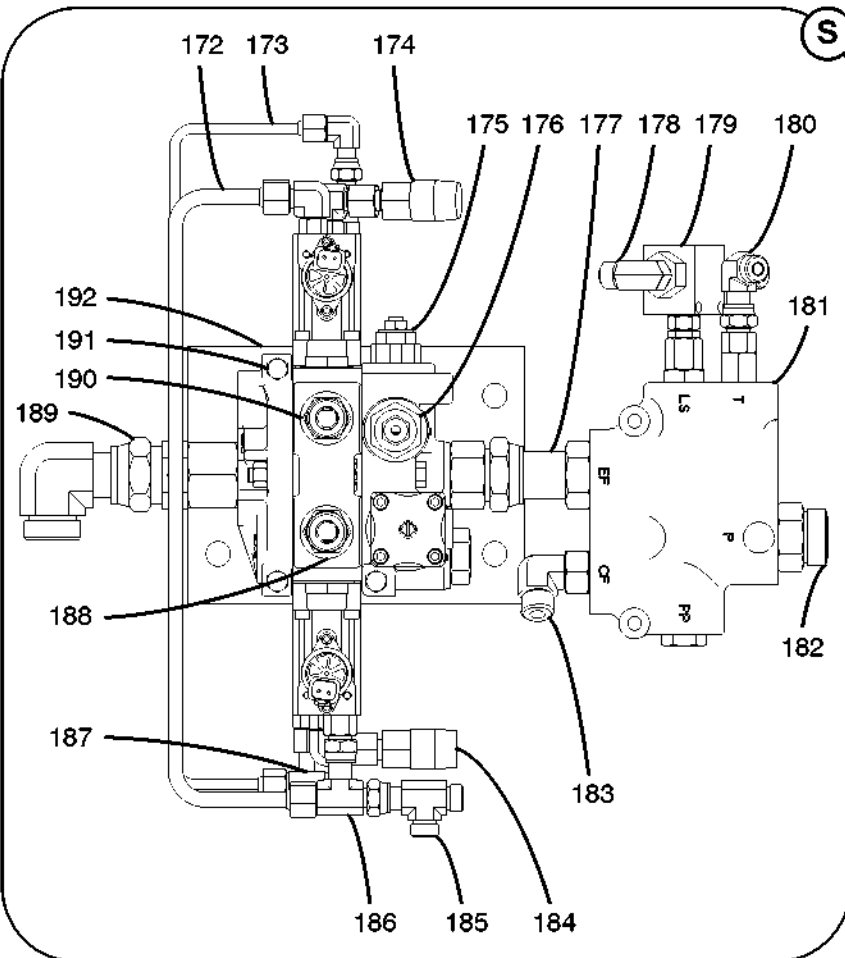
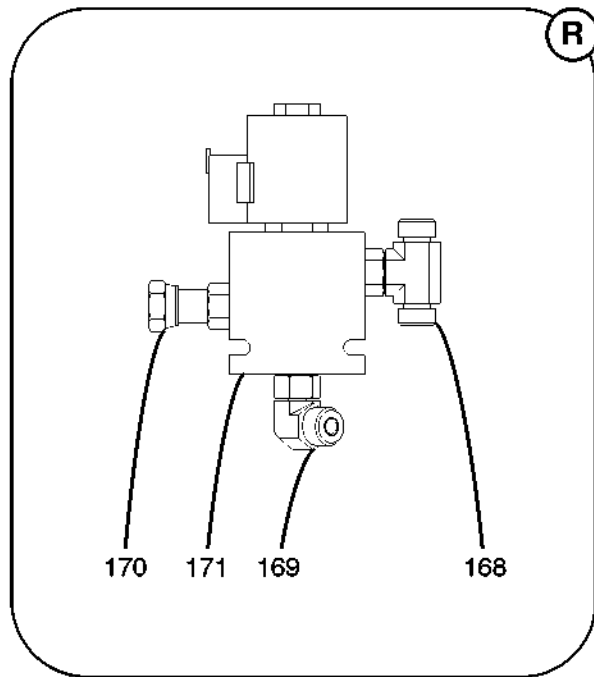
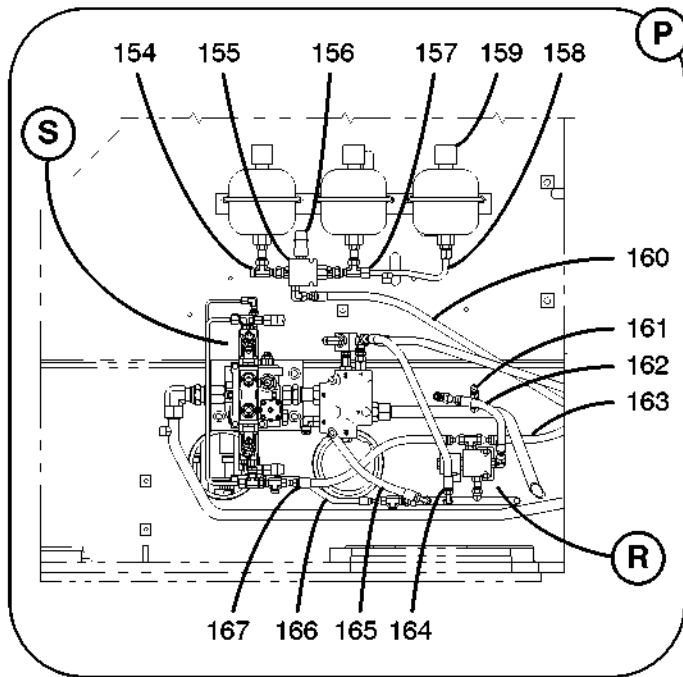
07-004-542.00

| Upper Main Hydraulics | | | | |
|-----------------------|-----------|-----|-------------------|---------|
| REF | PART NO. | QTY | DESCRIPTION | REMARKS |
| 138 | 1X 7391 | 1 | Elbow | |
| 139 | 16J0201 | 2 | Flange, Split | |
| | 20J0990 | 1 | O-ring | |
| | 126009014 | 4 | Capscrew | |
| 140 | 20J2914 | 1 | Clamp | |
| 141 | R3J0109 | 1 | Hose Assy | |
| | 20J3148 | 2 | Flange, Split | |
| | 20J0770 | 1 | O-ring | |
| | 126009028 | 4 | Capscrew | |
| 142 | 126009040 | 4 | Capscrew | |
| | 128003006 | 8 | Washer | |
| | 127004005 | 4 | Locknut | |
| 143 | 20J3148 | 2 | Flange, Split | |
| | 20J0770 | 2 | O-ring | |
| | 126009175 | 4 | Capscrew | |
| | 127004005 | 4 | Locknut | |
| 144 | N3J0399 | 1 | Valve, Check | |
| 145 | R3J0083 | 1 | Tube Assy | |
| 146 | 70J0107 | 1 | Hose Assy | |
| 147 | R3J0299 | 1 | Hose Assy | |
| | 1X 7415 | 1 | Tee | |
| 148 | F7J0179 | 1 | Hose Assy | |
| | 1X 7414 | 1 | Tee | |
| 149 | J7J0697 | 1 | Hose Assy | |
| 150 | 65J1115 | 1 | Hose Assy | |
| 151 | R3J0160 | 1 | Hose Assy | |
| 152 | R3J0158 | 1 | Hose Assy | |
| 153 | 36J0211 | 1 | Clamp | |
| | R3J0087 | 1 | Accumulator S/A | NSS |
| 154 | 65J1330 | 1 | Valve, Check | |
| | 1X 7415 | 1 | Tee | |
| | 1X 7463 | 1 | Connector | |
| 155 | J7J0414 | 1 | Body, Valve | |
| | J7J0343 | 1 | Valve, Check | |
| | 1X 7404 | 1 | Elbow | |
| 156 | J7R0020 | 1 | Switch, Pressure | |
| 157 | 65J1330 | 1 | Valve, Check | |
| | 1X 4384 | 1 | Reducer | |
| | 1X 7463 | 1 | Connector | |
| | 1X 7415 | 1 | Tee | |
| 158 | R3J0088 | 1 | Tube Assy | |
| | 1X 7371 | 1 | Connector | |
| 159 | E8J0229 | 3 | Accumulator | |
| | 112015007 | 3 | Clamp | |
| 160 | 70J0111 | 1 | Hose Assy | |
| 161 | D6J0690 | 1 | Disconnect, Quick | |
| 162 | 65J0444 | 1 | Hose Assy | |
| | 1X 7458 | 1 | Elbow | |
| 163 | F7J0488 | 1 | Hose Assy | |
| 164 | F7J0179 | 1 | Hose Assy | |
| 165 | D6J0503 | 1 | Hose Assy | |

Parts List

0211

Upper Main Hydraulics



Parts List

0211

07-004-542.00

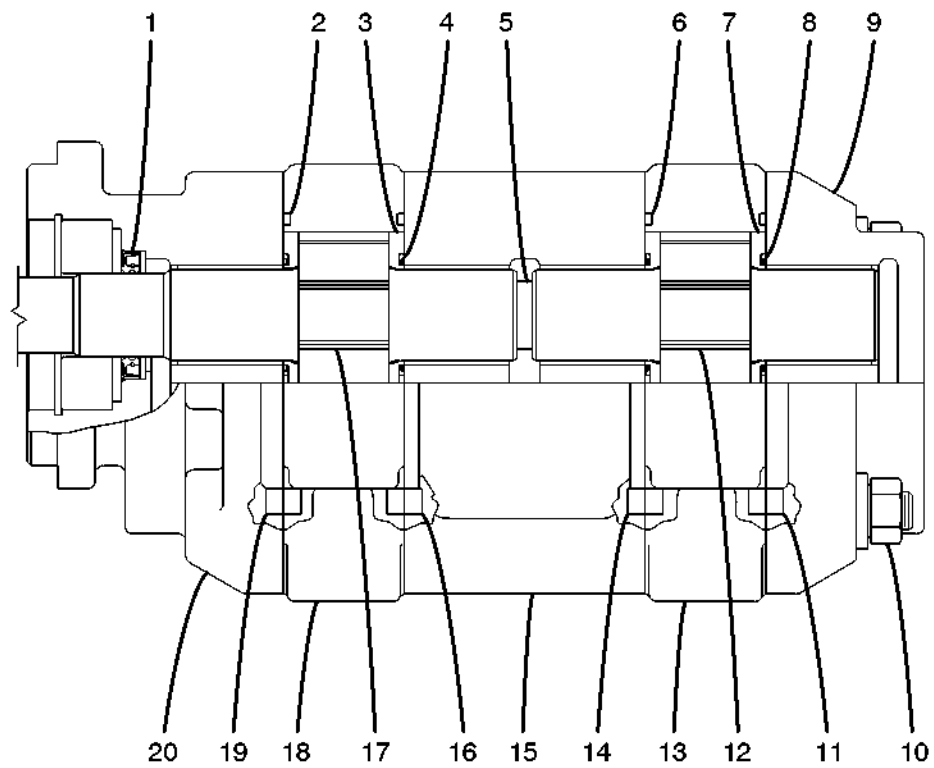
| Upper Main Hydraulics | | | | | |
|-----------------------|-----------|-----|--|---------|-----|
| REF | PART NO. | QTY | DESCRIPTION | REMARKS | |
| 166 | R3J0289 | 1 | Hose Assy | NSS | |
| | 1X 7414 | 1 | Tee | | |
| 167 | 65J1115 | 1 | Hose Assy | | |
| | R3J0169 | 1 | Swing Park Brake Valve S/A | | |
| 168 | 1X 7394 | 1 | Tee | | |
| 169 | 1X 7385 | 1 | Elbow | | |
| 170 | 1X 7462 | 1 | Connector | | |
| 171 | N4J0152 | 1 | Solenoid Valve Assy | | |
| | 3J 12929 | 1 | Cartridge | | |
| | 3J 12931 | 1 | Kit, Seal | | |
| | 126009005 | 2 | Capscrew | | |
| | 128003001 | 2 | Washer | | |
| | R3J0165 | 1 | Swing/Priority Valve S/A | | NSS |
| 172 | R3J0276 | 1 | Tube Assy | | |
| | 1X 7440 | 1 | Elbow | | |
| | 1X 8374 | 1 | Connector | | |
| 173 | R3J0175 | 1 | Tube Assy | | |
| | 1X 7458 | 1 | Elbow | | |
| 174 | D3R0116 | 1 | Switch, Pressure | | |
| | 70J0172 | 1 | Adaptor | | |
| | 1X 7368 | 1 | Connector | | |
| | 1X 7404 | 1 | Elbow | | |
| | 1X 7361 | 1 | Nut, Tube | | |
| 175 | REF | 1 | Swing Control Valve Assy – See Keysheet 07-008 | | |
| 176 | 43J2552 | 1 | Coupler, Quick Disconnect | | |
| 177 | 1X 7623 | 1 | Connector, Swivel | | |
| | 1X 7376 | 1 | Connector | | |
| 178 | 1X 7385 | 2 | Elbow | | |
| 179 | 65J0057 | 1 | Valve, Shuttle | | |
| | 1X 5170 | 1 | Union | | |
| | 1X 4383 | 1 | Reducer | | |
| 180 | 1X 7404 | 1 | Elbow | | |
| | 1X 7367 | 1 | Connector | | |
| 181 | REF | 1 | Priority Valve Assy – See Keysheet 07-008 | | |
| 182 | 1X 7377 | 1 | Connector | | |
| 183 | 1X 7455 | 1 | Elbow | | |
| 184 | D3R0116 | 1 | Switch, Pressure | | |
| | 70J0172 | 1 | Adaptor | | |
| | 1X 7385 | 1 | Elbow | | |
| | 1X 7361 | 1 | Nut, Tube | | |
| 185 | 1X 7414 | 1 | Tee | | |
| 186 | 1X 7410 | 1 | Tee | | |
| | 1X 7367 | 1 | Connector | | |
| 187 | 1X 7809 | 1 | Tee | | |
| | 1X 7564 | 1 | Connector | | |
| 188 | 1X 7372 | 1 | Connector | | |
| 189 | 1X 7408 | 1 | Elbow | | |
| | J7J0799 | 1 | Valve, Check | | |
| | 1X 5526 | 1 | Nut, Tube | | |

Parts List

0211

| Upper Main Hydraulics | | | | |
|-----------------------|-----------|-----|-------------------------------|---------|
| REF | PART NO. | QTY | DESCRIPTION | REMARKS |
| 190 | 1X 7372 | 1 | Connector | NSS |
| 191 | 126009113 | 3 | Capscrew | |
| | 128003002 | 3 | Washer | |
| | 127004002 | 3 | Locknut | |
| 192 | R3J0176 | 1 | Plate | |
| | 126009012 | 3 | Capscrew | |
| | 128003004 | 3 | Washer | |
| | J7J0969 | 1 | Steer Reversal Valve S/A | |
| 193 | 1X 7455 | 1 | Elbow | |
| 194 | 1X 7405 | 1 | Elbow | |
| | 1X 7456 | 1 | Connector | |
| 195 | 1X 7455 | 1 | Elbow | |
| 196 | J7R0019 | 1 | Switch, Pressure | |
| | 70J0172 | 1 | Adaptor | |
| | 1X 7498 | 1 | Reducer | |
| | 1X 7361 | 1 | Nut, Tube | |
| 197 | 1X 7411 | 1 | Tee | |
| | 1X 7456 | 1 | Connector | |
| 198 | 65J0433 | 1 | Hose Assy | |
| 199 | J7R0019 | 1 | Switch, Pressure | |
| | 70J0172 | 1 | Adaptor | |
| | 1X 7498 | 1 | Reducer | |
| | 1X 7361 | 1 | Nut, Tube | |
| 200 | 1X 7411 | 1 | Tee | |
| 201 | 65J0513 | 1 | Hose Assy | |
| 202 | J7J0374 | 1 | Valve, Solenoid | |
| | 3J 15804 | 1 | Kit, Seal | |
| | 3J 15803 | 1 | Cartridge | |
| | 126009008 | 2 | Capscrew | |
| | 128003001 | 2 | Washer | |
| | 850065004 | 1 | Wrap, Hose – 5.5' – Not Shown | |

Boom Hoist/Telescope/Charge Pump Assy

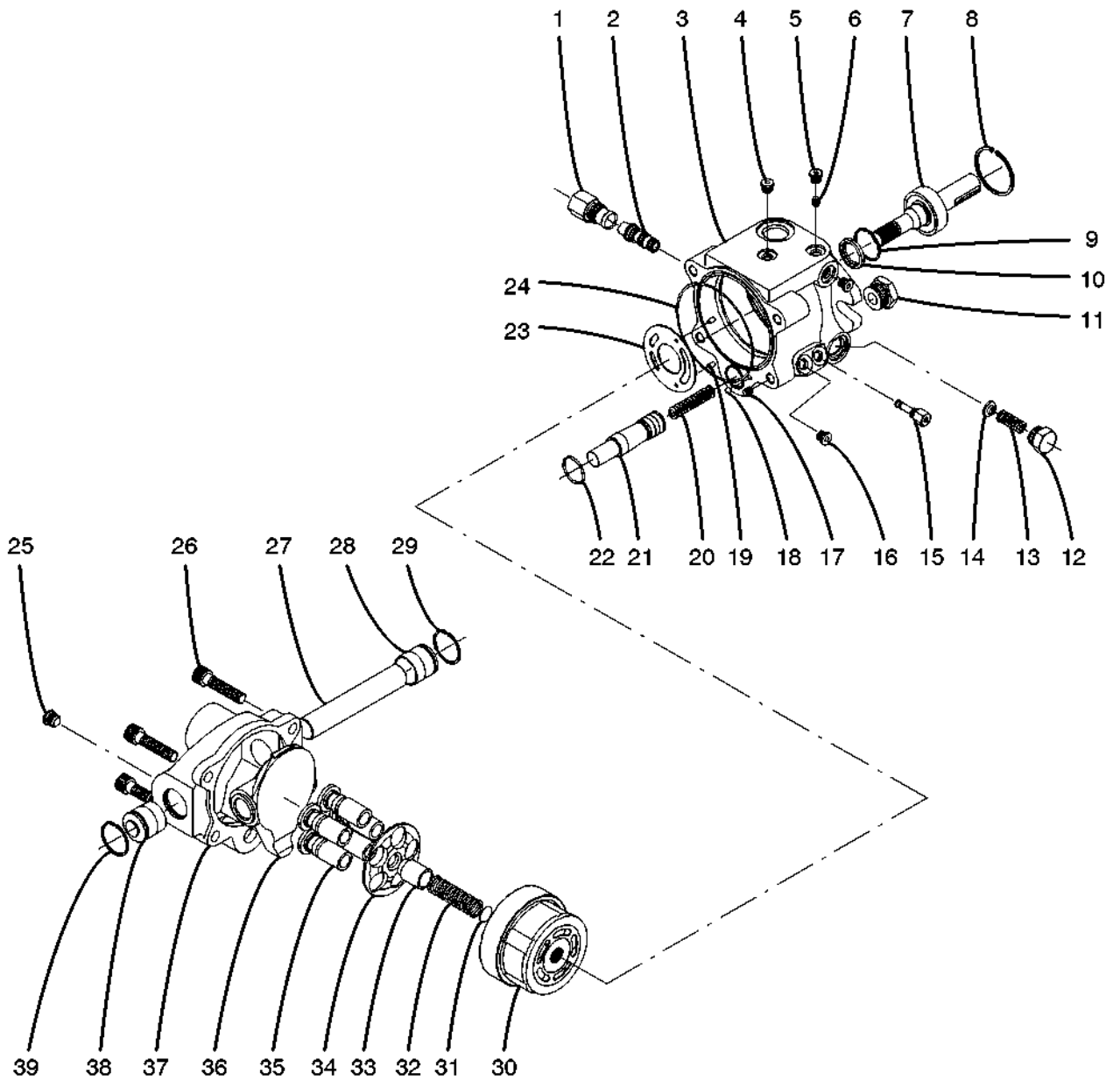


Parts List

1001

| Boom Hoist/Telescope/Charge Pump Assy | | | | |
|---------------------------------------|----------|-----|---------------------------------------|---------|
| REF | PART NO. | QTY | DESCRIPTION | REMARKS |
| | J7J0601 | 1 | Boom Hoist/Telescope/Charge Pump Assy | |
| 1 | 3A 5084 | 1 | Seal, Lip | KA |
| 2 | 3J 16013 | 2 | O-ring | KA |
| 3 | 3J 8977 | 2 | Plate, Thrust | |
| 4 | 3J 16011 | 2 | Seal, Channel | KA |
| | 3J 16012 | 2 | Seal, Back Up | KA |
| 5 | 3J 8973 | 1 | Shaft, Connecting | |
| 6 | 3J 16013 | 2 | O-ring | KA |
| 7 | 3J 8977 | 2 | Plate, Thrust | |
| 8 | 3J 16011 | 2 | Seal, Channel | KA |
| | 3J 16012 | 2 | Seal, Back Up | KA |
| 9 | 3J 14413 | 1 | Housing, Port End Cap | |
| 10 | 3J 5575 | 4 | Stud | |
| | 3J 0764 | 4 | Washer | |
| | 3J 0760 | 4 | Nut | |
| 11 | 3J 8974 | 4 | Pin, Dowel | |
| 12 | 3J 10406 | 1 | Set, Gear | |
| 13 | 3J 16008 | 1 | Housing, Gear | |
| 14 | 3J 8974 | 4 | Pin, Dowel | |
| 15 | 3J 16007 | 1 | Housing, Bearing Carrier | |
| 16 | 3J 8974 | 4 | Pin, Dowel | |
| 17 | 3J 16380 | 1 | Set, Gear Shaft | |
| 18 | 3J 16006 | 1 | Housing, Gear | |
| 19 | 3J 8974 | 4 | Pin, Dowel | |
| 20 | 3J 8241 | 1 | Housing, Shaft End Cap | |
| | 3J 16387 | 1 | Kit, Seal – All Items Marked KA | |

Controls Pump Assy

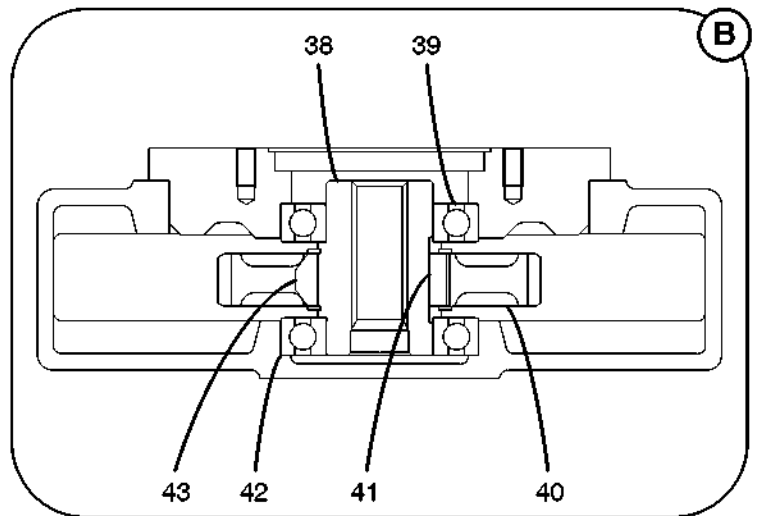
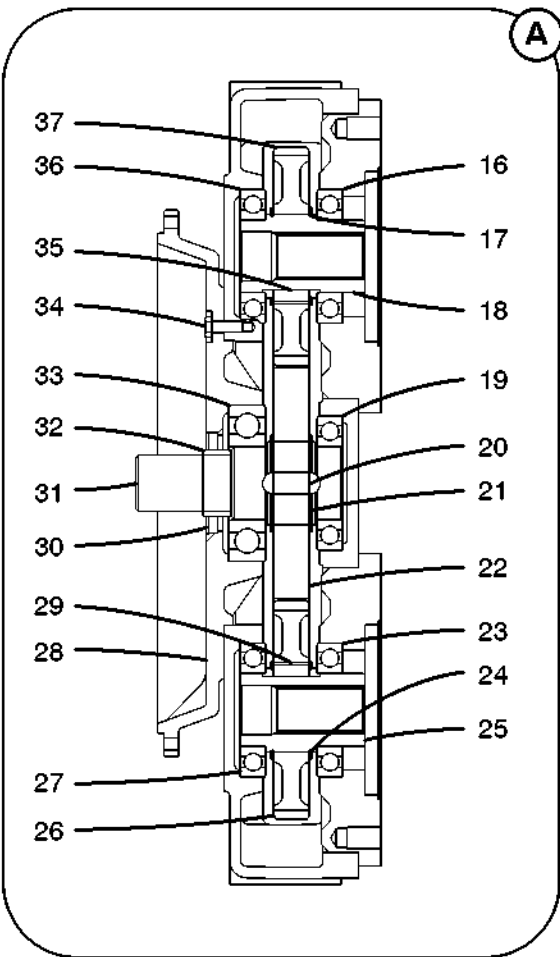
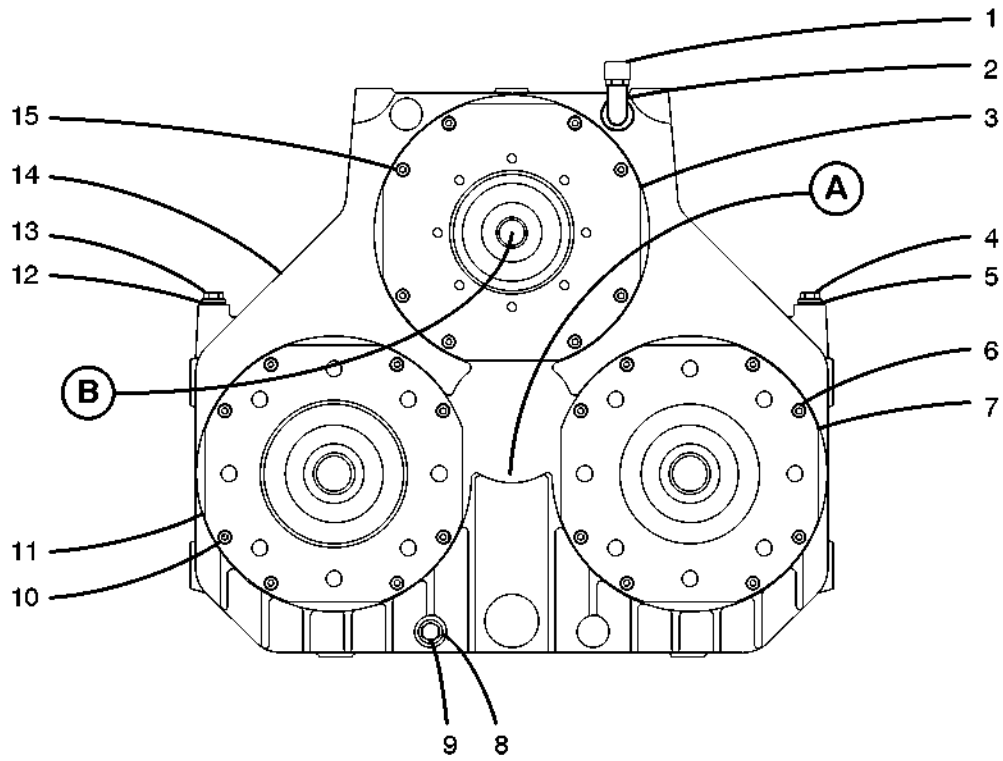


Parts List

0201

| Controls Pump Assy | | | | |
|--------------------|----------|-----|---------------------------|---------|
| REF | PART NO. | QTY | DESCRIPTION | REMARKS |
| | J7J0249 | 1 | Controls Pump Assy | |
| 1 | 3J 15762 | 1 | Airbleed Assy | |
| | 3J 15792 | 1 | O-ring | |
| 2 | 3J 15761 | 1 | Spool & Sleeve Assy | |
| 3 | 3J 15781 | 1 | Housing | |
| 4 | 3J 15768 | 1 | Plug | |
| | 3J 15791 | 1 | O-ring | |
| 5 | 3J 15768 | 1 | Plug | |
| | 3J 15791 | 1 | O-ring | |
| 6 | 3J 15788 | 1 | Plug, Orifice | |
| 7 | 3J 15776 | 1 | Shaft Assy | |
| 8 | 3J 15772 | 1 | Ring, Snap | |
| 9 | 3J 15771 | 1 | Ring, Snap | |
| 10 | 3J 15749 | 1 | Seal, Shaft | |
| 11 | 3J 15759 | 1 | Servo Plug Assy | |
| 12 | 3J 15782 | 1 | Differential Assy | |
| 13 | 3J 15764 | 1 | Spring | |
| 14 | 3J 15763 | 1 | Retainer, Spring | |
| 15 | 3J 15783 | 1 | Pressure Compensator Assy | |
| 16 | 3J 15784 | 1 | Torque Plug Assy | |
| 17 | 3J 15767 | 1 | Plug | |
| 18 | 3J 15758 | 1 | Ball | |
| 19 | 3J 15750 | 2 | Pin | |
| 20 | 3J 15757 | 1 | Spring, Servo | |
| 21 | 3J 15753 | 1 | Piston, Servo | |
| 22 | 3J 15765 | 1 | O-ring | |
| 23 | 3J 15780 | 1 | Plate, Port | |
| 24 | 3J 15766 | 1 | O-ring | |
| 25 | 3J 15779 | 1 | Plug | |
| 26 | 3J 15778 | 4 | Capscrew | |
| 27 | 3J 15752 | 1 | Pin, Trunnion | |
| 28 | 3J 15760 | 1 | Trunnion Cap Assy | |
| 29 | 3J 15773 | 1 | Ring, Snap | |
| 30 | 3J 15775 | 1 | Barrel | |
| | 3J 15770 | 1 | Bushing, Barrel | |
| 31 | 3J 15769 | 1 | Retainer | |
| 32 | 3J 15756 | 1 | Spring, Barrel | |
| 33 | 3J 15755 | 1 | Seat, Ball | |
| 34 | 3J 15754 | 1 | Retainer, Slipper | |
| 35 | 3J 15774 | 5 | Piston Assy | |
| 36 | 3J 15751 | 1 | Plate, Swash | |
| 37 | 3J 15777 | 1 | Housing, Trunnion | |
| 38 | 3J 15760 | 1 | Trunnion Cap Assy | |
| 39 | 3J 15773 | 1 | Ring, Snap | |

Pump Drive Assy

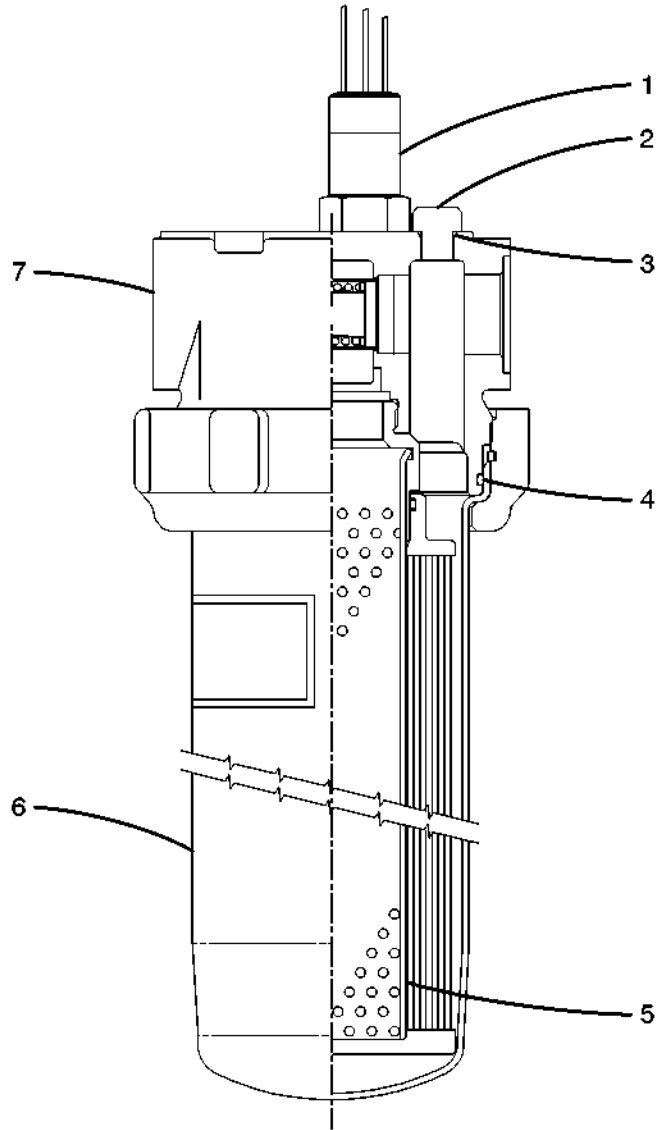


Parts List

0802

| Pump Drive Assy | | | | |
|-----------------|----------|-----|------------------|---------|
| REF | PART NO. | QTY | DESCRIPTION | REMARKS |
| | J7H0004 | 1 | Pump Drive Assy | |
| 1 | 3H 2186 | 1 | Filter, Vent | |
| 2 | 3H 2187 | 1 | Elbow | |
| 3 | 3H 2168 | 1 | Flange, Mounting | |
| 4 | 3H 2176 | 1 | Dipstick | |
| 5 | 3H 2188 | 1 | O-ring | |
| 6 | 3H 2183 | 8 | Bolt | |
| 7 | 3H 2169 | 1 | Flange, Mounting | |
| 8 | 3H 2188 | 1 | O-ring | |
| 9 | 3H 2185 | 1 | Plug | |
| 10 | 3H 2183 | 8 | Bolt | |
| 11 | 3H 2169 | 1 | Flange, Mounting | |
| 12 | 3H 2188 | 1 | O-ring | |
| 13 | 3H 2185 | 1 | Plug | |
| 14 | 3H 2166 | 1 | Housing | |
| 15 | 3H 2183 | 8 | Bolt | |
| 16 | 3H 2179 | 1 | Bearing, Ball | |
| 17 | 3H 2181 | 2 | Circlip | |
| 18 | 3H 2174 | 1 | Shaft | |
| 19 | 3H 2177 | 1 | Bearing, Ball | |
| 20 | 3H 2182 | 2 | Key | |
| 21 | 3H 2181 | 2 | Circlip | |
| 22 | 3H 2170 | 1 | Gear | |
| 23 | 3H 2179 | 1 | Bearing, Ball | |
| 24 | 3H 2181 | 2 | Circlip | |
| 25 | 3H 2174 | 1 | Shaft | |
| 26 | 3H 2171 | 1 | Gear | |
| 27 | 3H 2177 | 1 | Bearing, Ball | |
| 28 | 3H 2167 | 1 | Flange, Mounting | |
| 29 | 3H 2182 | 2 | Key | |
| 30 | 3H 2180 | 1 | Seal, Oil | |
| 31 | 3H 2172 | 1 | Shaft | |
| 32 | 3H 2175 | 1 | Ring, Wear | |
| 33 | 3H 2178 | 1 | Bearing, Ball | |
| 34 | 3H 2184 | 14 | Screw | |
| 35 | 3H 2182 | 2 | Key | |
| 36 | 3H 2177 | 1 | Bearing, Ball | |
| 37 | 3H 2171 | 1 | Gear | |
| 38 | 3H 2173 | 1 | Shaft | |
| 39 | 3H 2179 | 1 | Bearing, Ball | |
| 40 | 3H 2171 | 1 | Gear | |
| 41 | 3H 2182 | 2 | Key | |
| 42 | 3H 2177 | 1 | Bearing, Ball | |
| 43 | 3H 2181 | 2 | Circlip | |

Charge Pump Filter Assy

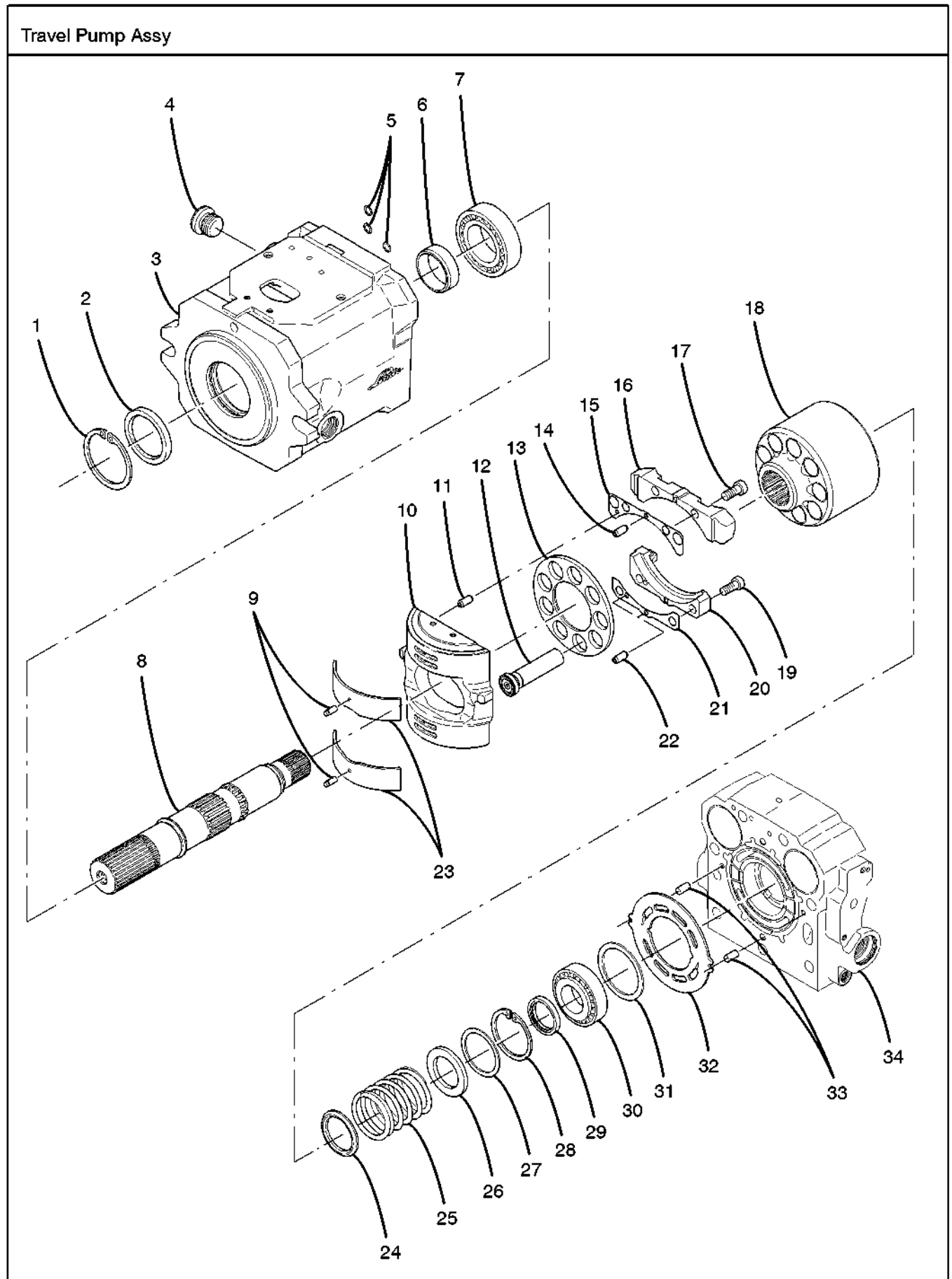


Parts List

0501

| Charge Pump Filter Assy | | | | |
|-------------------------|----------|-----|-------------------------|---------|
| REF | PART NO. | QTY | DESCRIPTION | REMARKS |
| 1 | J7J0246 | 1 | Charge Pump Filter Assy | NSS |
| | 3J 16016 | 1 | Indicator | |
| | 23K0023 | 1 | O-ring - SAE-908 | |
| | 3J 4418 | 1 | O-ring - SAE-014 | |
| 2 | 3J 16017 | 1 | Plug, Bleed | |
| 3 | 31V0234 | 1 | O-ring | |
| 4 | 3J 16015 | 1 | O-ring | |
| 5 | J7J0247 | 1 | Element, Filter | |
| 6 | 3J 16014 | 1 | Can Assy | |
| 7 | REF | 1 | Head Assy | |

Travel Pump Assy

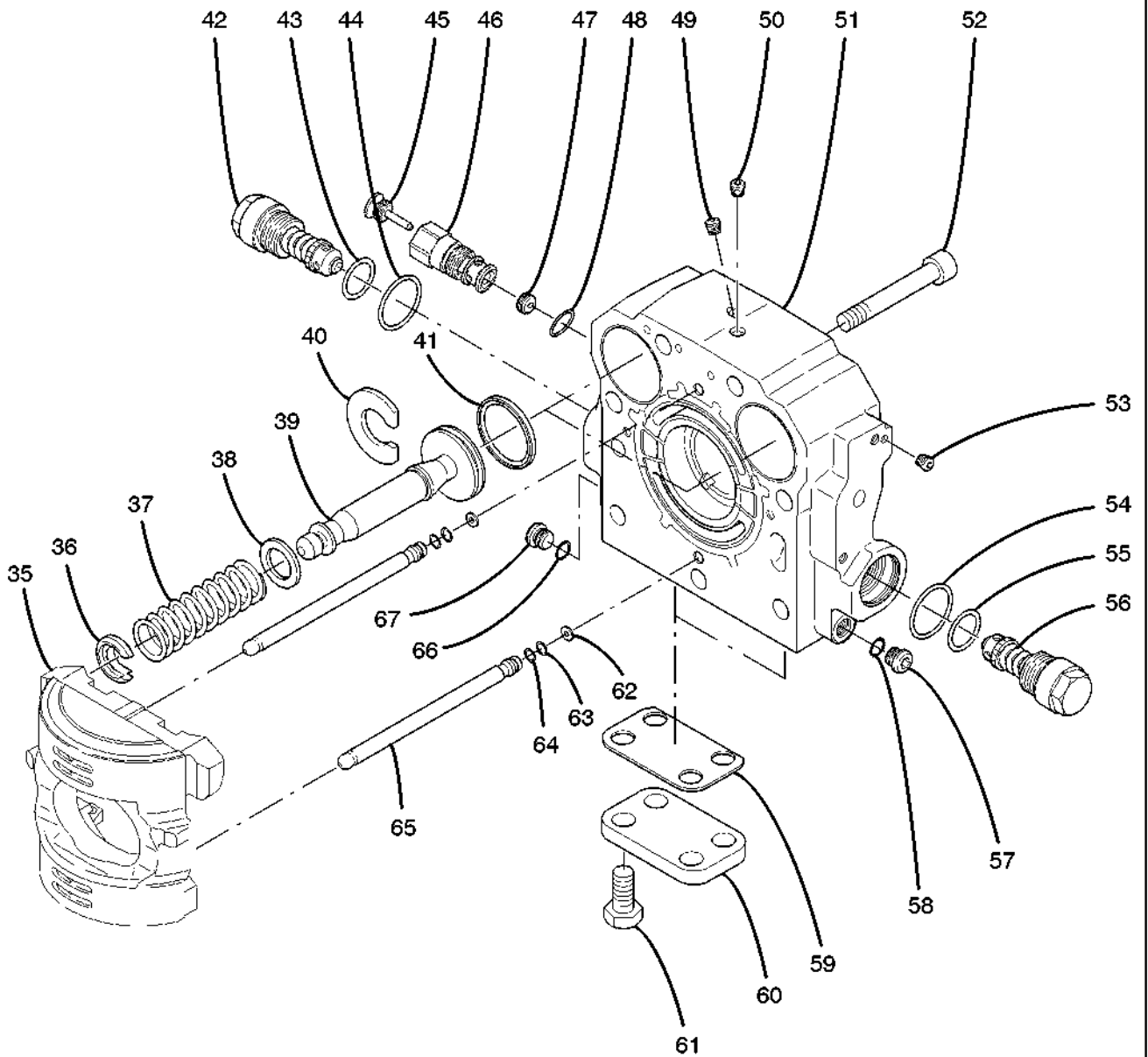


Parts List

0303

| Travel Pump Assy | | | | |
|------------------|----------|-----|-------------------------|---------|
| REF | PART NO. | QTY | DESCRIPTION | REMARKS |
| | J7J0815 | 1 | Travel Pump Assy | |
| 1 | 3J 16207 | 1 | Ring, Retaining | |
| 2 | 3J 16208 | 1 | Seal, Shaft | |
| 3 | 3J 16815 | 1 | Housing | |
| 4 | 3J 16816 | 1 | Plug Assy | |
| | 3J 16817 | 1 | O-ring | |
| 5 | 3J 16080 | 3 | O-ring | |
| 6 | 3J 16211 | 1 | Race, Seal | |
| 7 | 3J 16212 | 1 | Bearing | |
| 8 | 3J 16818 | 1 | Shaft | |
| 9 | 3J 15912 | 2 | Pin, Retaining | |
| 10 | 3J 16215 | 1 | Cradle | |
| 11 | 3J 15915 | 1 | Bushing | |
| 12 | 3J 16216 | 9 | Piston Assy | |
| 13 | 3J 16217 | 1 | Plate, Retaining | |
| 14 | 3J 15915 | 1 | Bushing | |
| 15 | 3J 16222 | 1 | Shim - 0.050 - AR | |
| | 3J 16223 | 1 | Shim - 0.075 - AR | |
| | 3J 16224 | 1 | Shim - 0.100 - AR | |
| 16 | 3J 16225 | 1 | Block, Hold Down | |
| 17 | 3J 15922 | 2 | Capscrew | |
| 18 | 3J 16226 | 1 | Barrel, Cylinder | |
| 19 | 3J 15922 | 2 | Capscrew | |
| 20 | 3J 16221 | 1 | Block, Hold Down | |
| 21 | 3J 16218 | 1 | Shim - 0.050 - AR | |
| | 3J 16219 | 1 | Shim - 0.075 - AR | |
| | 3J 16220 | 1 | Shim - 0.100 - AR | |
| 22 | 3J 15915 | 2 | Bushing | |
| 23 | 3J 16214 | 2 | Bearing, Slide | |
| 24 | 3J 16227 | 1 | Washer | |
| 25 | 3J 16228 | 1 | Spring | |
| 26 | 3J 16229 | 1 | Washer | |
| 27 | 3J 16230 | 1 | Shim - 0.1 - AR | |
| | 3J 16231 | 1 | Shim - 0.3 - AR | |
| | 3J 16232 | 1 | Shim - 1.0 - AR | |
| 28 | 3J 16233 | 1 | Ring, Retaining | |
| 29 | 3J 16234 | 1 | Washer | |
| 30 | 3J 16082 | 1 | Bearing, Tapered Roller | |
| 31 | 3J 16235 | 1 | Shim - 1.00 - AR | |
| | 3J 16236 | 1 | Shim - 1.05 - AR | |
| | 3J 16237 | 1 | Shim - 1.10 - AR | |
| | 3J 16238 | 1 | Shim - 1.15 - AR | |
| | 3J 16239 | 1 | Shim - 1.20 - AR | |
| | 3J 16240 | 1 | Shim - 1.25 - AR | |
| | 3J 16241 | 1 | Shim - 1.50 - AR | |
| | 3J 16242 | 1 | Shim - 1.75 - AR | |
| 32 | 3J 16243 | 1 | Plate, Port | |
| 33 | 3J 15943 | 2 | Pin, Guide | |
| 34 | REF | | Port Plate Housing | |

Travel Pump Assy

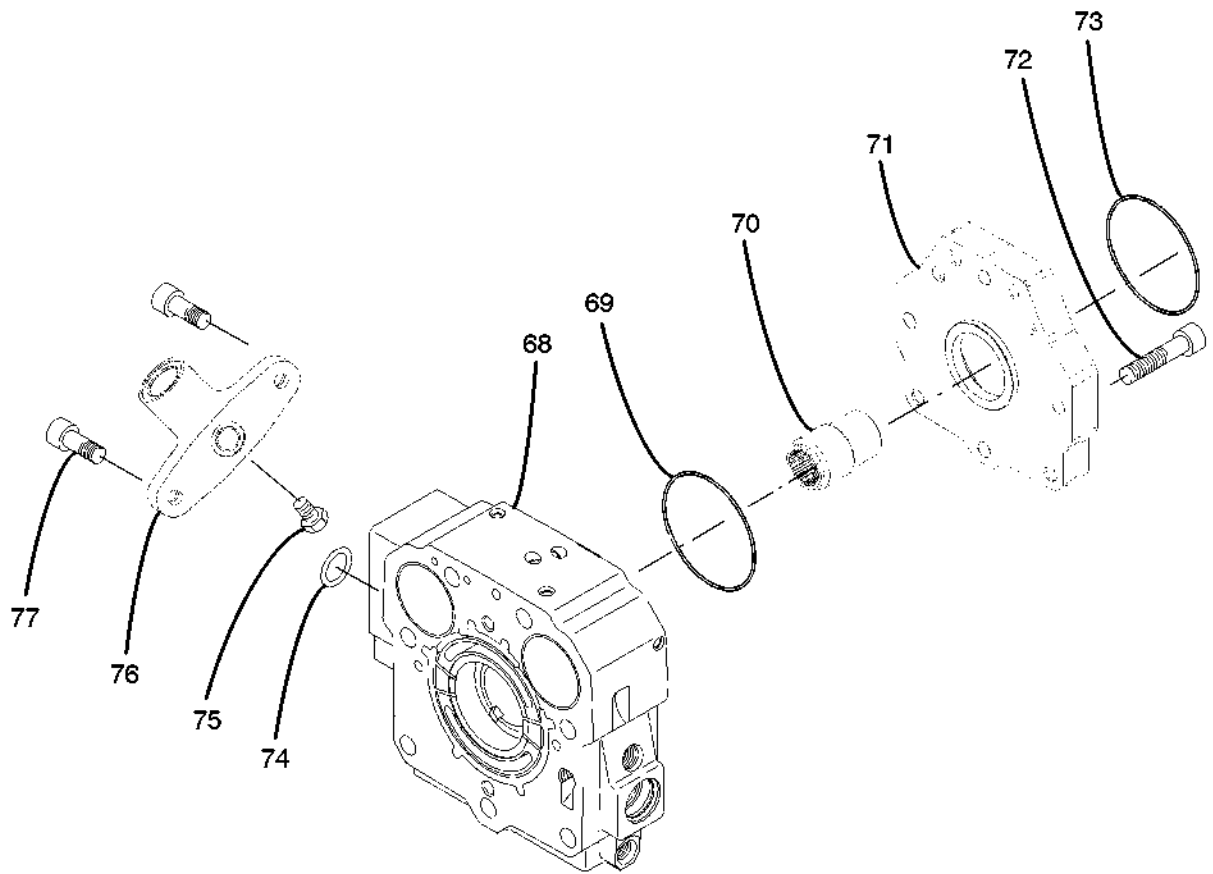


Parts List

0303

| Travel Pump Assy | | | | |
|------------------|----------|-----|-------------------------|---------|
| REF | PART NO. | QTY | DESCRIPTION | REMARKS |
| 35 | REF | | Cradle | |
| 36 | 3J 16258 | 2 | Guide, Spring | |
| 37 | 3J 16257 | 2 | Spring | |
| 38 | 3J 16256 | 2 | Washer | |
| 39 | 3J 16247 | 2 | Piston, Servo | |
| 40 | 3J 16248 | 2 | Washer – 4.55 – AR | |
| | 3J 16820 | 2 | Washer – 4.65 – AR | |
| | 3J 16249 | 2 | Washer – 4.75 – AR | |
| | 3J 16250 | 2 | Washer – 4.85 – AR | |
| | 3J 16251 | 2 | Washer – 4.95 – AR | |
| | 3J 16252 | 2 | Washer – 5.05 – AR | |
| | 3J 16253 | 2 | Washer – 5.15 – AR | |
| | 3J 16254 | 2 | Washer – 5.25 – AR | |
| | 3J 16255 | 2 | Washer – 5.35 – AR | |
| 41 | 3J 16246 | 2 | Ring, Seal | |
| 42 | 3J 16262 | 1 | Valve, Crossover Relief | |
| 43 | 3J 3417 | 1 | O–ring | |
| 44 | 3J 3418 | 1 | O–ring | |
| | 3J 16821 | 1 | Flushing Valve Assy | |
| 45 | REF | 1 | Cap | NSS |
| 46 | REF | 1 | Body, Flushing Orifice | NSS |
| 47 | REF | 1 | Orifice | NSS |
| 48 | 3J 4050 | 1 | O–ring | |
| 49 | 3J 15987 | 1 | Plug, Seal | |
| 50 | 3J 15987 | 1 | Plug, Seal | |
| 51 | 3J 16819 | 1 | Housing, Port Plate | |
| 52 | 3J 16266 | 7 | Capscrew | |
| 53 | 3J 15987 | 1 | Plug, Seal | |
| 54 | 3J 3418 | 1 | O–ring | |
| 55 | 3J 3417 | 1 | O–ring | |
| 56 | 3J 16262 | 1 | Valve, Crossover Relief | |
| 57 | 3J 16259 | 1 | Plug | |
| 58 | 3J 16613 | 1 | O–ring | |
| 59 | 3J 12263 | 2 | Gasket | |
| 60 | 3J 16264 | 2 | Cover, Port | |
| 61 | 3J 16265 | 4 | Capscrew | |

Travel Pump Assy

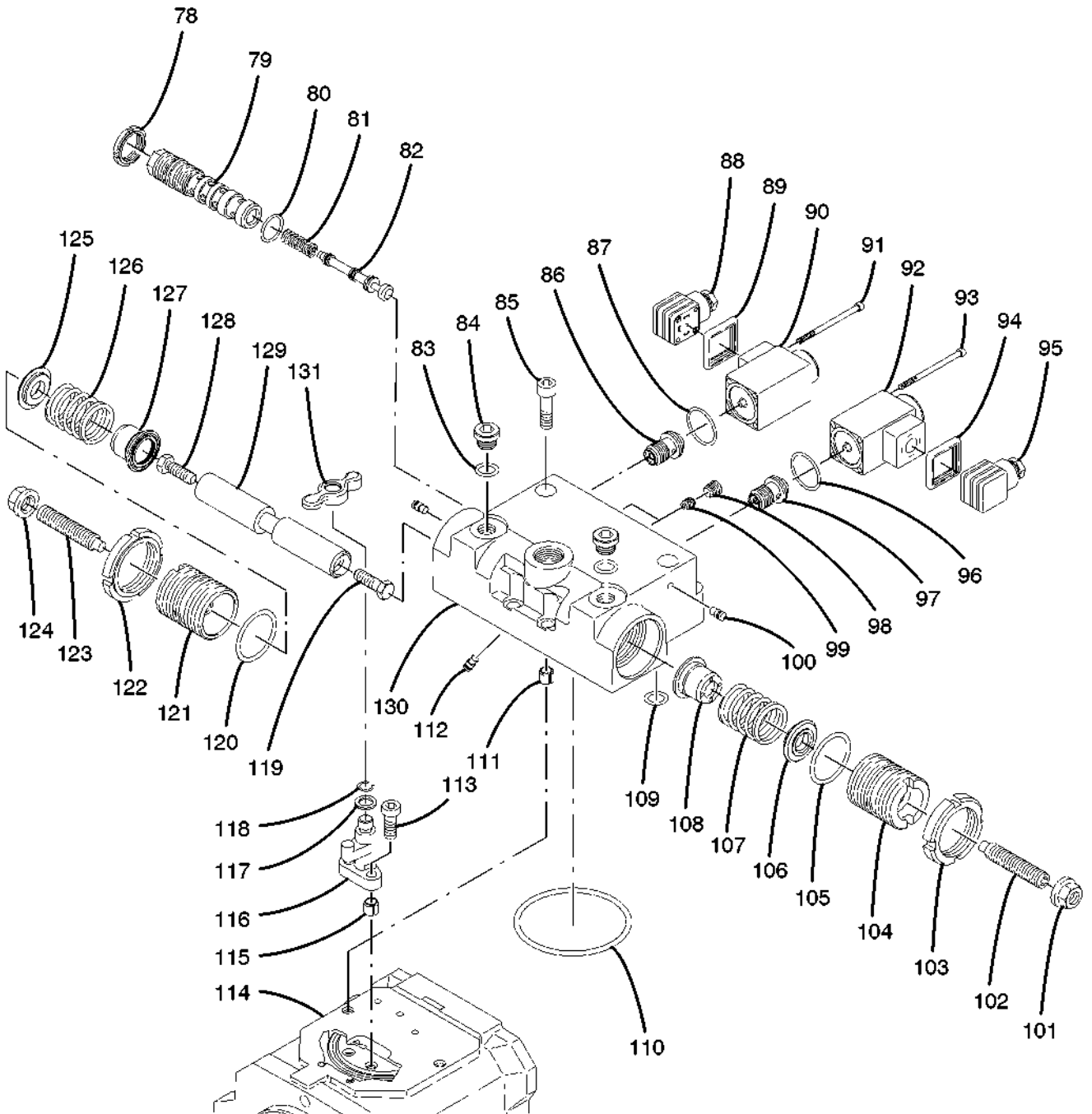


Parts List

0303

| Travel Pump Assy | | | | |
|------------------|----------|-----|---------------------------|---------|
| REF | PART NO. | QTY | DESCRIPTION | REMARKS |
| 62 | 3J 16118 | 2 | Washer – 1.95 – AR | |
| | 3J 16119 | 2 | Washer – 2.02 – AR | |
| | 3J 16120 | 2 | Washer – 2.10 – AR | |
| | 3J 16121 | 2 | Washer – 2.17 – AR | |
| | 3J 16122 | 2 | Washer – 2.25 – AR | |
| | 3J 16123 | 2 | Washer – 2.32 – AR | |
| | 3J 16124 | 2 | Washer – 2.40 – AR | |
| | 3J 16125 | 2 | Washer – 2.47 – AR | |
| | 3J 16126 | 2 | Washer – 2.55 – AR | |
| | 3J 16127 | 2 | Washer – 2.62 – AR | |
| | 3J 16128 | 2 | Washer – 2.70 – AR | |
| | 3J 16129 | 2 | Washer – 2.77 – AR | |
| | 3J 16130 | 2 | Washer – 2.85 – AR | |
| | 3J 16131 | 2 | Washer – 2.92 – AR | |
| | 3J 16132 | 2 | Washer – 3.00 – AR | |
| | 3J 16133 | 2 | Washer – 3.07 – AR | |
| | 3J 16134 | 2 | Washer – 3.15 – AR | |
| | 3J 16135 | 2 | Washer – 3.22 – AR | |
| | 3J 16136 | 2 | Washer – 3.30 – AR | |
| | 3J 16137 | 2 | Washer – 3.37 – AR | |
| | 3J 16138 | 2 | Washer – 3.45 – AR | |
| 63 | 3J 15951 | 2 | O–ring | |
| 64 | 3J 15952 | 2 | Ring, Support | |
| 65 | 3J 16245 | 2 | Tube, Lube | |
| 66 | 3J 16613 | 1 | O–ring | |
| 67 | 3J 16259 | 1 | Plug | |
| 68 | 3J 16824 | 1 | Block, Filter Elimination | |
| 69 | 3J 16161 | 1 | O–ring | |
| 70 | 3J 16822 | 1 | Coupling | |
| 71 | 3J 16823 | 1 | Mount, PTO | |
| 72 | 3J 16270 | 4 | Capscrew | |
| 73 | 3J 16271 | 1 | O–ring | |
| 74 | 3J 16167 | 1 | O–ring | |
| 75 | 3J 16168 | 1 | Plug | |
| 76 | REF | 1 | Flange | NSS |
| 77 | 3J 16169 | 2 | Capscrew | |
| | 3J 16825 | 1 | Electric Control Assy | |
| 78 | 3J 16188 | 1 | Nut, Slotted | |
| 79 | 3J 16187 | 1 | Spool, Threaded | |
| 80 | 3J 16167 | 1 | O–ring | |
| 81 | 3J 16185 | 1 | Spring | |
| 82 | 3J 16184 | 1 | Spool, Pilot | |
| | 3J 16259 | 2 | Seal Plug Assy | |
| 83 | 3J 16613 | 1 | O–ring | |
| 84 | REF | 1 | Plug | NSS |
| 85 | 3J 16199 | 4 | Capscrew | |
| 86 | 3J 16275 | 1 | Seat, Valve | |
| 87 | 3J 15969 | 1 | O–ring | |
| | 3J 16276 | 1 | Magnet Assy | |
| 88 | 3J 16277 | 1 | Connector, Electrical | |
| 89 | 3J 15984 | 1 | Seal, Plug | |
| 90 | REF | 1 | Magnet | |
| 91 | 3J 16278 | 4 | Capscrew | |

Travel Pump Assy

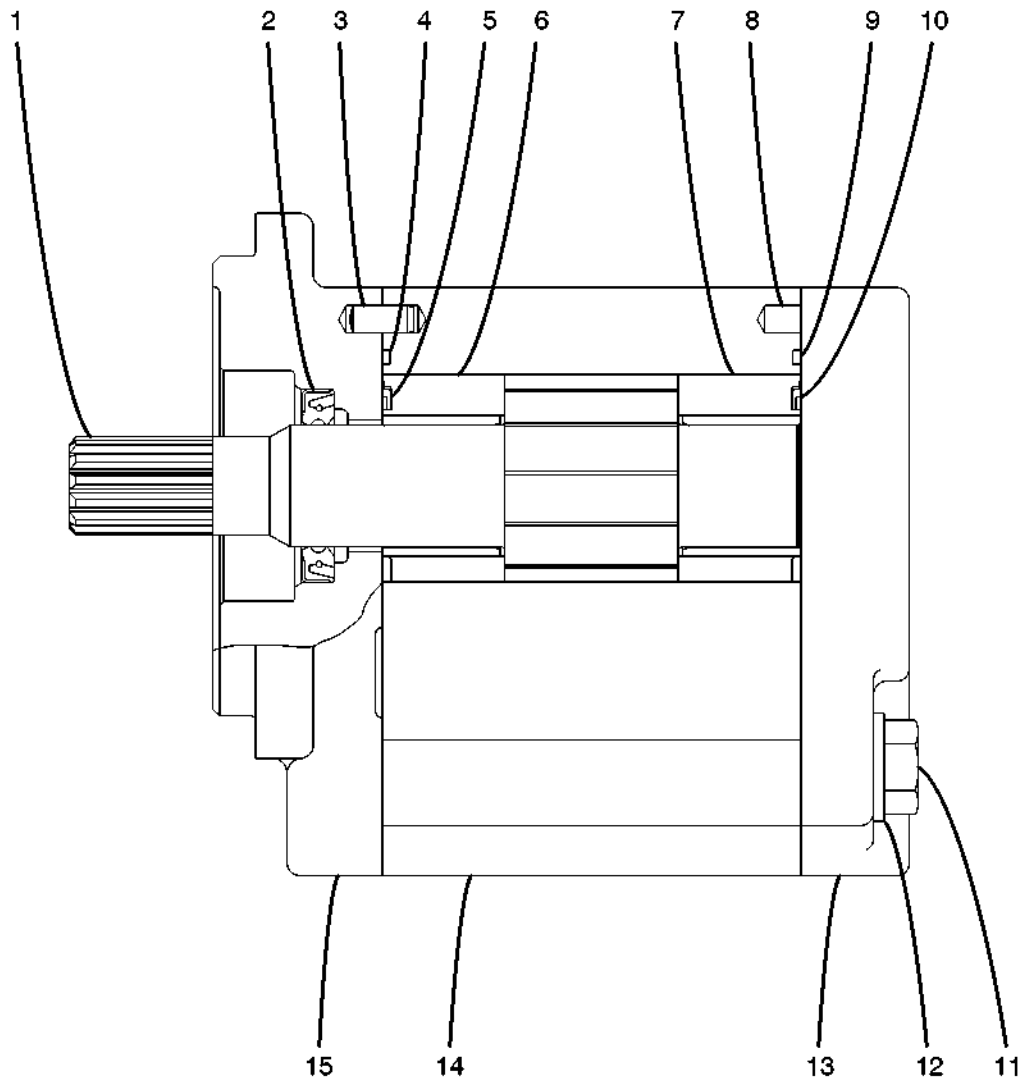


Parts List

0303

| Travel Pump Assy | | | | |
|------------------|----------|-----|--------------------------|---------|
| REF | PART NO. | QTY | DESCRIPTION | REMARKS |
| | 3J 16276 | 1 | Magnet Assy | |
| 92 | REF | 1 | Magnet | |
| 93 | 3J 16278 | 4 | Capscrew | |
| 94 | 3J 15984 | 1 | Seal, Plug | |
| 95 | 3J 16277 | 1 | Connector, Electrical | |
| 96 | 3J 15969 | 1 | O-ring | |
| 97 | 3J 16275 | 1 | Seat, Valve | |
| 98 | 3J 15987 | 2 | Plug, Seal | |
| 99 | 3J 16827 | 2 | Orifice | |
| 100 | 3J 16280 | 1 | Plug, Sealing | |
| 101 | 3J 16182 | 1 | Nut, Seal | |
| 102 | 3J 16181 | 1 | Pin, Threaded | |
| 103 | 3J 16180 | 1 | Nut, Slotted | |
| 104 | 3J 16179 | 1 | Screw, Plug | |
| 105 | 3J 16178 | 1 | O-ring | |
| 106 | 3J 16177 | 1 | Guide, Spring | |
| 107 | 3J 16274 | 1 | Spring | |
| 108 | 3J 16171 | 1 | Hat, Spring - 18.99 - AR | |
| | 3J 16172 | 1 | Hat, Spring - 19.01 - AR | |
| | 3J 16173 | 1 | Hat, Spring - 19.03 - AR | |
| | 3J 16174 | 1 | Hat, Spring - 19.05 - AR | |
| | 3J 16175 | 1 | Hat, Spring - 19.07 - AR | |
| 109 | 3J 16192 | 4 | O-ring | |
| 110 | 3J 16191 | 1 | O-ring | |
| 111 | 3J 16193 | 2 | Sleeve, Split | |
| 112 | 3J 16279 | 2 | Plug, Sealing | |
| 113 | 3J 16092 | 2 | Capscrew | |
| 114 | REF | | Housing | |
| 115 | 3J 16193 | 2 | Sleeve, Split | |
| 116 | 3J 16194 | 1 | Arm, Control | |
| 117 | 3J 16196 | 1 | Washer - 0.1 - AR | |
| | 3J 16197 | 1 | Washer - 0.5 - AR | |
| 118 | 3J 16198 | 1 | Ring, Spacer | |
| 119 | 3J 16170 | 1 | Capscrew | |
| 120 | 3J 16178 | 1 | O-ring | |
| 121 | 3J 16179 | 1 | Screw, Plug | |
| 122 | 3J 16180 | 1 | Nut, Slotted | |
| 123 | 3J 16181 | 1 | Pin, Threaded | |
| 124 | 3J 16182 | 1 | Nut, Seal | |
| 125 | 3J 16177 | 1 | Guide, Spring | |
| 126 | 3J 16274 | 1 | Spring | |
| 127 | 3J 16171 | 1 | Hat, Spring - 18.99 - AR | |
| | 3J 16172 | 1 | Hat, Spring - 19.01 - AR | |
| | 3J 16173 | 1 | Hat, Spring - 19.03 - AR | |
| | 3J 16174 | 1 | Hat, Spring - 19.05 - AR | |
| | 3J 16175 | 1 | Hat, Spring - 19.07 - AR | |
| 128 | 3J 16170 | 1 | Capscrew | |
| | 3J 16826 | 1 | Control Housing Assy | |
| 129 | REF | 1 | Spool | NSS |
| 130 | REF | 1 | Housing, Control | |
| 131 | 3J 16183 | 1 | Lever | |

Swing/Steer Pump Assy

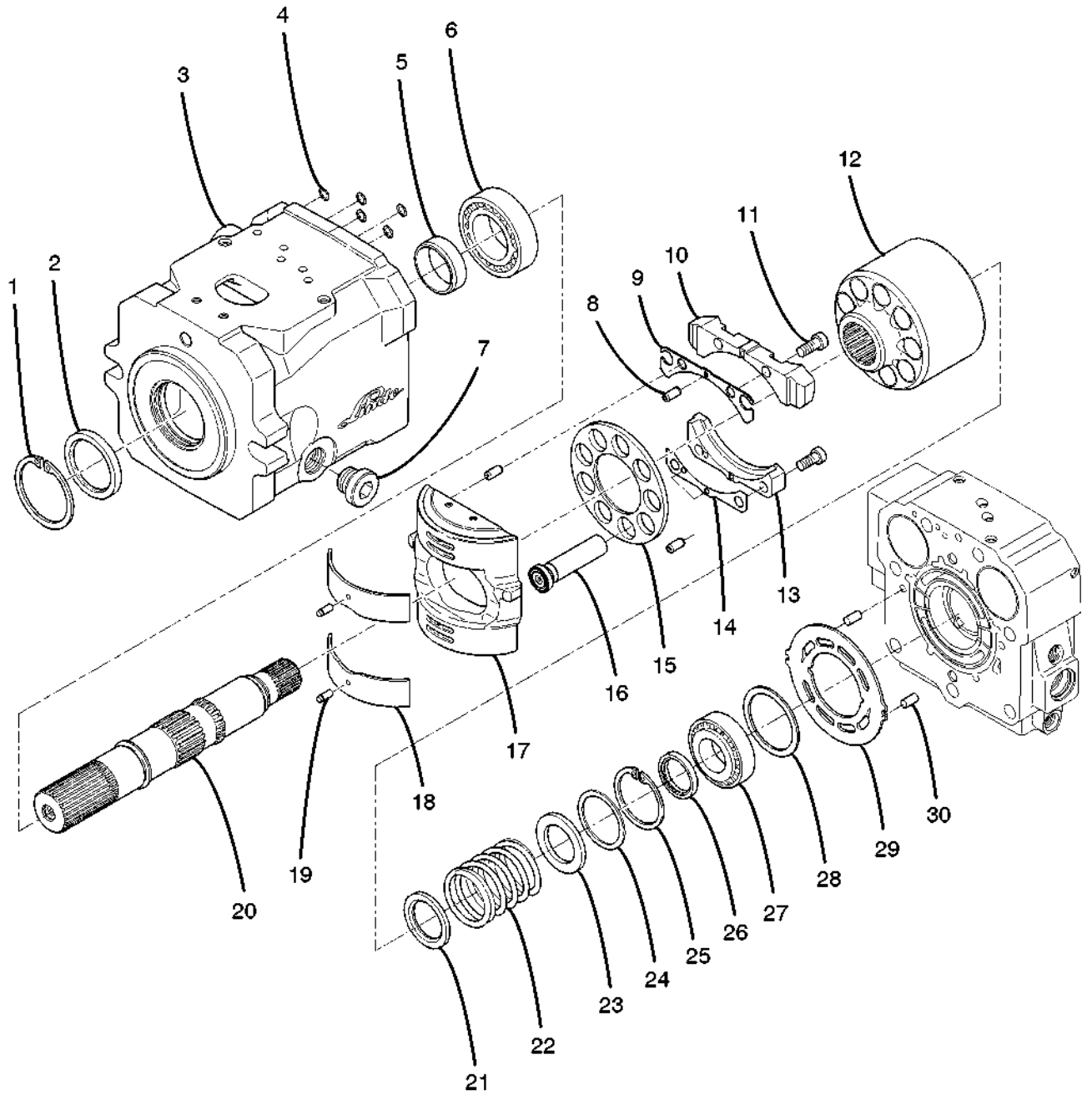


Parts List

1003

| Swing/Steer Pump Assy | | | | |
|-----------------------|----------|-----|--------------------------|---------|
| REF | PART NO. | QTY | DESCRIPTION | REMARKS |
| | J7J0885 | 1 | Swing/Steer Pump Assy | |
| 1 | 3J 16003 | 1 | Set, Gear Shaft | |
| 2 | 3J 2272 | 1 | Seal, Lip | |
| 3 | 3A 20487 | 1 | Pin, Dowel | |
| 4 | 3A 20488 | 1 | Seal, Section | |
| 5 | 3A 20483 | 1 | Seal, Channel | |
| | 3A 20484 | 1 | Seal, Back Up | |
| 6 | 3A 20482 | 1 | Bushing | |
| 7 | 3A 20482 | 1 | Bushing | |
| 8 | 3A 20487 | 1 | Pin, Dowel | |
| 9 | 3A 20483 | 1 | Seal, Channel | |
| | 3A 20484 | 1 | Seal, Back Up | |
| 10 | 3A 20488 | 1 | Seal, Section | |
| 11 | 3J 16001 | 4 | Capscrew | |
| 12 | 3A 20479 | 4 | Washer | |
| 13 | 3A 20471 | 1 | Housing, Port End Cover | |
| 14 | 3J 17098 | 1 | Housing, Gear | |
| 15 | 3A 20470 | 1 | Housing, Shaft End Cover | |

Winch Pump Assy

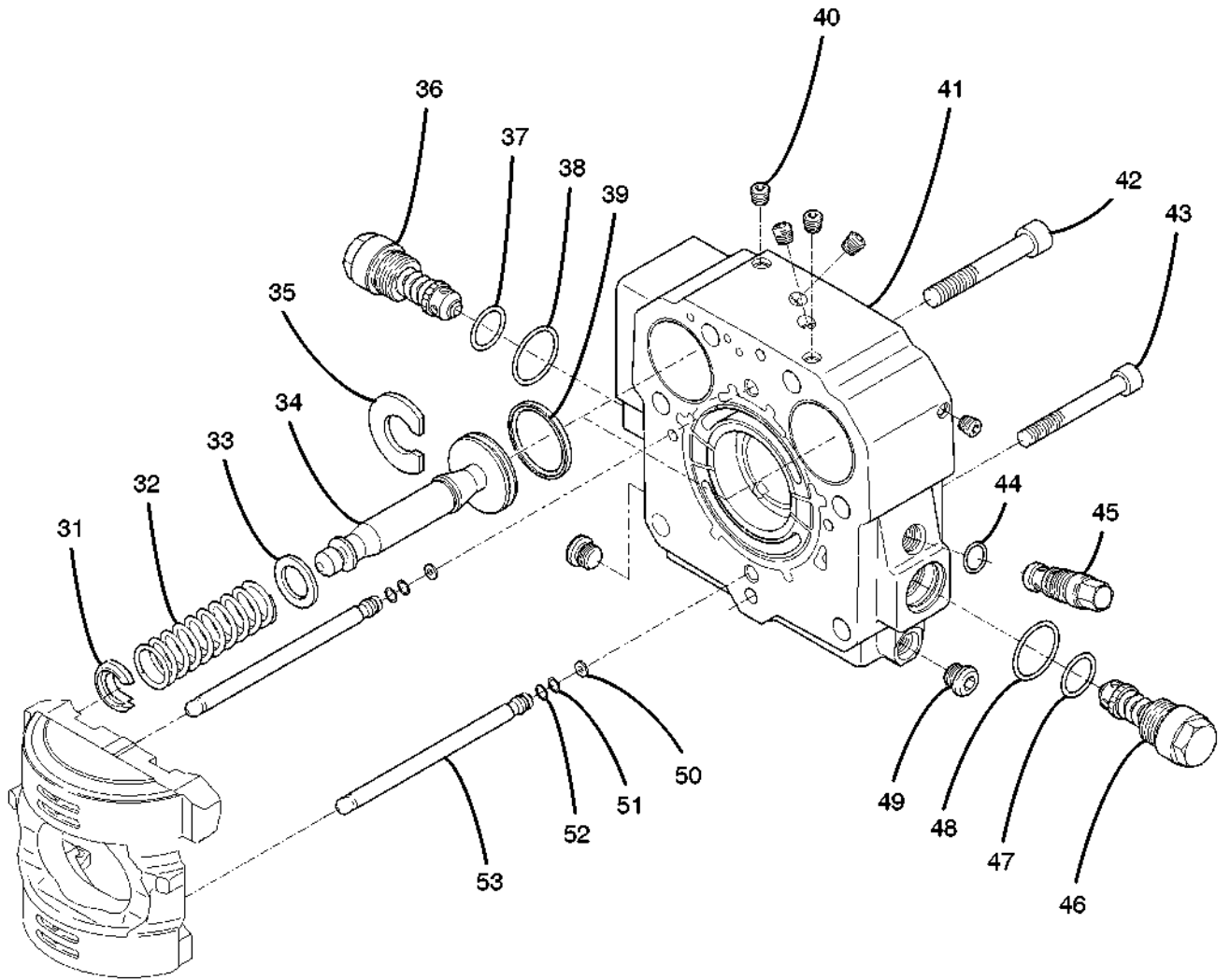


Parts List

1007

| Winch Pump Assy | | | | |
|-----------------|----------|-----|---------------------|---------|
| REF | PART NO. | QTY | DESCRIPTION | REMARKS |
| | R3J0080 | 1 | Winch Pump Assy | |
| 1 | 3J 16077 | 1 | Ring, Retaining | |
| 2 | 3J 16078 | 1 | Seal, Shaft | |
| 3 | 3J 16828 | 1 | Housing | |
| 4 | 3J 16080 | 5 | O-ring | |
| 5 | 3J 16081 | 1 | Race | |
| 6 | 3J 16082 | 1 | Bearing, Roller | |
| 7 | 3J 6534 | 1 | Plug | |
| 8 | 3J 15915 | 4 | Bushing | |
| 9 | 3J 16093 | 1 | Spacer – 0.05 – AR | |
| | 3J 16094 | 1 | Spacer – 0.075 – AR | |
| | 3J 16095 | 1 | Spacer – 0.10 – AR | |
| 10 | 3J 16096 | 1 | Plate, Lock | |
| 11 | 3J 16092 | 4 | Capscrew | |
| 12 | 3J 16097 | 1 | Block, Cylinder | |
| 13 | 3J 16091 | 1 | Plate, Lock | |
| 14 | 3J 16088 | 1 | Spacer – 0.05 – AR | |
| | 3J 16089 | 1 | Spacer – 0.075 – AR | |
| | 3J 16090 | 1 | Spacer – 0.10 – AR | |
| 15 | 3J 16087 | 1 | Plate, Back | |
| 16 | 3J 16086 | 9 | Piston | |
| 17 | 3J 16085 | 1 | Cradle | |
| 18 | 3J 16084 | 2 | Bearing, Sliding | |
| 19 | 3J 15912 | 2 | Pin | |
| 20 | 3J 16083 | 1 | Shaft, Drive | |
| 21 | 3J 16098 | 1 | Washer | |
| 22 | 3J 16099 | 1 | Spring, Compression | |
| 23 | 3J 16100 | 1 | Washer | |
| 24 | 3J 16101 | 1 | Shim – 0.10 – AR | |
| | 3J 16102 | 1 | Shim – 0.30 – AR | |
| | 3J 16103 | 1 | Shim – 0.50 – AR | |
| | 3J 16104 | 1 | Shim – 1.00 – AR | |
| 25 | 3J 16829 | 1 | Ring, Retaining | |
| 26 | 3J 16106 | 1 | Washer | |
| 27 | 3J 16107 | 1 | Bearing, Roller | |
| 28 | 3J 16108 | 1 | Shim – 1.00 – AR | |
| | 3J 16109 | 1 | Shim – 1.05 – AR | |
| | 3J 16110 | 1 | Shim – 1.10 – AR | |
| | 3J 16111 | 1 | Shim – 1.15 – AR | |
| | 3J 16112 | 1 | Shim – 1.20 – AR | |
| | 3J 16113 | 1 | Shim – 1.25 – AR | |
| | 3J 16114 | 1 | Shim – 1.50 – AR | |
| | 3J 16115 | 1 | Shim – 1.75 – AR | |
| 29 | 3J 16116 | 1 | Plate, Port | |
| 30 | 3J 15943 | 2 | Pin | |

Winch Pump Assy

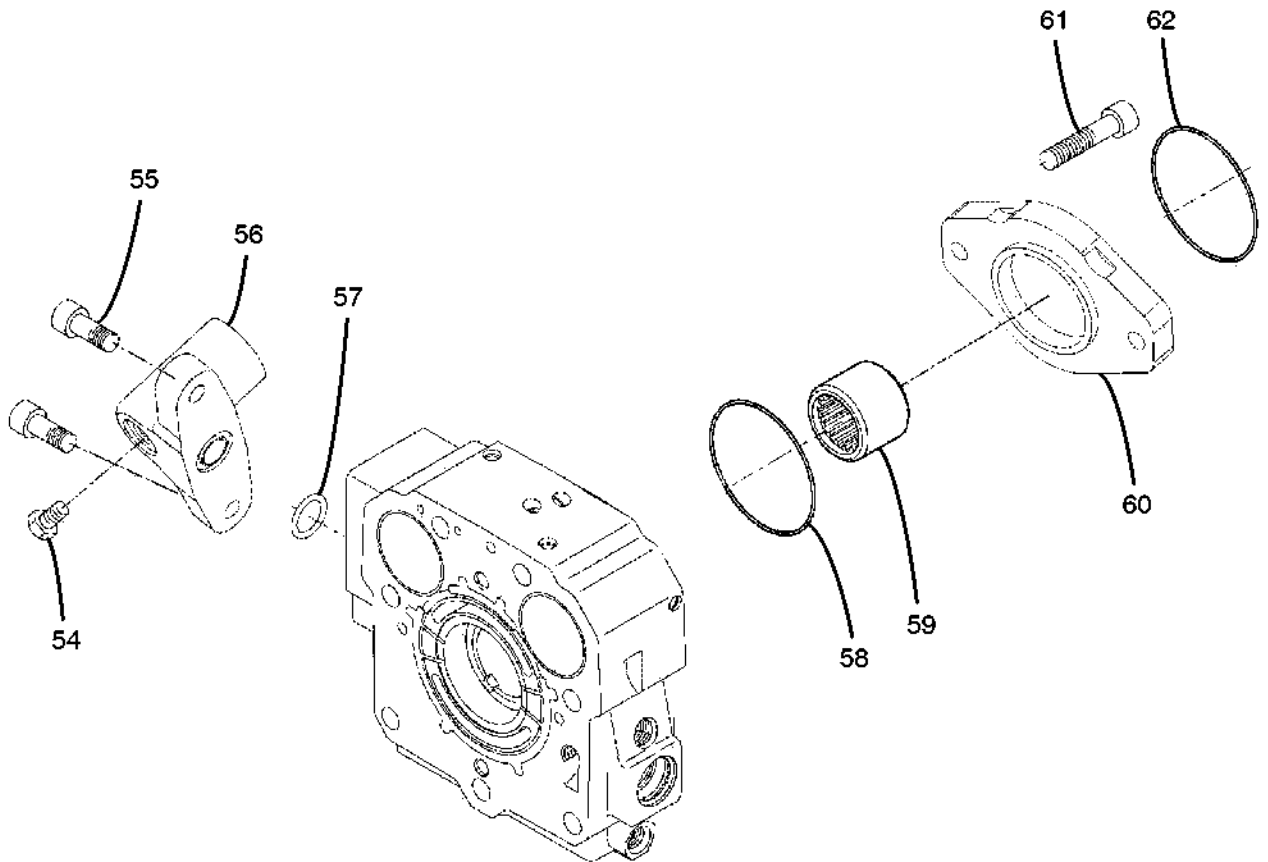


Parts List

1007

| Winch Pump Assy | | | | |
|-----------------|----------|-----|------------------------|---------|
| REF | PART NO. | QTY | DESCRIPTION | REMARKS |
| 31 | 3J 16153 | 2 | Plate, Spring | |
| 32 | 3J 16152 | 2 | Spring, Compression | |
| 33 | 3J 16151 | 2 | Washer | |
| 34 | 3J 16141 | 2 | Piston | |
| 35 | 3J 16142 | 1 | Washer – 4.55 – AR | |
| | 3J 16143 | 1 | Washer – 4.65 – AR | |
| | 3J 16144 | 1 | Washer – 4.75 – AR | |
| | 3J 16145 | 1 | Washer – 4.85 – AR | |
| | 3J 16146 | 1 | Washer – 4.95 – AR | |
| | 3J 16147 | 1 | Washer – 5.05 – AR | |
| | 3J 16148 | 1 | Washer – 5.15 – AR | |
| | 3J 16149 | 1 | Washer – 5.25 – AR | |
| | 3J 16150 | 1 | Washer – 5.35 – AR | |
| 36 | 3J 16831 | 1 | Valve, Pressure Relief | |
| 37 | 3J 15977 | 1 | O–ring | |
| 38 | 3J 15978 | 1 | O–ring | |
| 39 | 3J 16140 | 2 | Ring, Seal | |
| 40 | 3J 15987 | 5 | Plug | |
| 41 | 3J 16117 | 1 | Housing, Port Plate | |
| 42 | 3J 16160 | 6 | Capscrew – M8 X 70 | |
| 43 | 3J 16159 | 1 | Capscrew – M12 X 70 | |
| 44 | 3J 9377 | 1 | O–ring | |
| 45 | 3J 18046 | 1 | Flushing Valve Assy | |
| 46 | 3J 16831 | 1 | Valve, Pressure Relief | |
| 47 | 3J 15977 | 1 | O–ring | |
| 48 | 3J 15978 | 1 | O–ring | |
| 49 | 3J 16154 | 2 | Plug | |
| 50 | 3J 16118 | 2 | Washer – 1.95 – AR | |
| | 3J 16119 | 2 | Washer – 2.02 – AR | |
| | 3J 16120 | 2 | Washer – 2.10 – AR | |
| | 3J 16121 | 2 | Washer – 2.17 – AR | |
| | 3J 16122 | 2 | Washer – 2.25 – AR | |
| | 3J 16123 | 2 | Washer – 2.32 – AR | |
| | 3J 16124 | 2 | Washer – 2.40 – AR | |
| | 3J 16125 | 2 | Washer – 2.47 – AR | |
| | 3J 16126 | 2 | Washer – 2.55 – AR | |
| | 3J 16127 | 2 | Washer – 2.62 – AR | |
| | 3J 16128 | 2 | Washer – 2.70 – AR | |
| | 3J 16129 | 2 | Washer – 2.77 – AR | |
| | 3J 16130 | 2 | Washer – 2.85 – AR | |
| | 3J 16131 | 2 | Washer – 2.92 – AR | |
| | 3J 16132 | 2 | Washer – 3.00 – AR | |
| | 3J 16133 | 2 | Washer – 3.07 – AR | |
| | 3J 16134 | 2 | Washer – 3.15 – AR | |
| | 3J 16135 | 2 | Washer – 3.22 – AR | |
| | 3J 16830 | 2 | Washer – 3.30 – AR | |
| | 3J 16137 | 2 | Washer – 3.37 – AR | |
| | 3J 16138 | 2 | Washer – 3.45 – AR | |
| 51 | 3J 15951 | 2 | O–ring | |
| 52 | 3J 15952 | 2 | Ring, Support | |
| 53 | 3J 16139 | 2 | Pipe | |

Winch Pump Assy

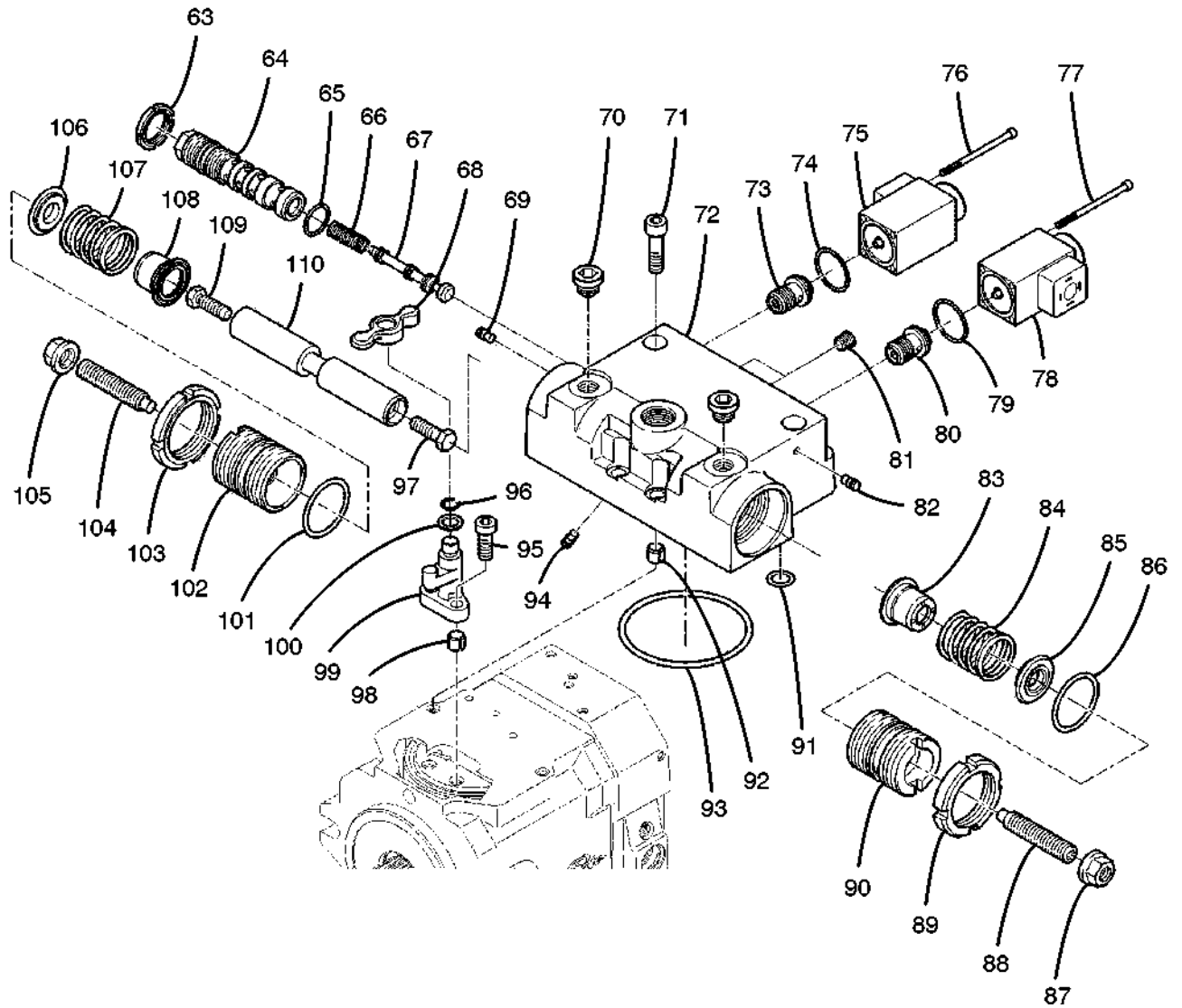


Parts List

1007

| Winch Pump Assy | | | | |
|-----------------|----------|-----|----------------------------|---------|
| REF | PART NO. | QTY | DESCRIPTION | REMARKS |
| 54 | 3J 16834 | 1 | Plug | NSS |
| 55 | 3J 16169 | 2 | Capscrew | |
| 56 | 3J 16824 | 1 | Flange | |
| 57 | 3J 16167 | 1 | O-ring | |
| 58 | 3J 16161 | 1 | O-ring | |
| 59 | 3J 16832 | 1 | Coupling | |
| 60 | 3J 18047 | 1 | Flange, PTO | |
| 61 | 3J 16164 | 2 | Capscrew | |
| 62 | 3J 18048 | 1 | O-ring | |
| 63 | 3J 16188 | 1 | Nut, Slotted | |
| 64 | 3J 16187 | 1 | Screw | |
| 65 | 3J 16167 | 1 | O-ring | |
| 66 | 3J 16185 | 1 | Spring, Compression | |
| 67 | 3J 16184 | 1 | Pilot | |
| 68 | 3J 16183 | 1 | Lever | |
| 69 | 3J 18049 | 1 | Plug | |
| 70 | 3J 16259 | 2 | Plug | |
| 71 | 3J 16842 | 4 | Capscrew | |
| 72 | REF | 1 | Housing | |
| 73 | 3J 16275 | 1 | Valve, Pilot | |
| 74 | 3J 15969 | 1 | O-ring | |
| 75 | 3J 16276 | 1 | Solenoid | |
| 76 | 3J 16278 | 4 | Capscrew | |
| 77 | 3J 16278 | 4 | Capscrew | |
| 78 | 3J 16276 | 1 | Solenoid | |
| 79 | 3J 15969 | 1 | O-ring | |
| 80 | 3J 16275 | 1 | Valve, Pilot | |
| 81 | 3J 15987 | 2 | Plug | |
| 82 | 3J 16189 | 1 | Plug | |
| 83 | 3J 16171 | 1 | Plate, Spring - 18.99 - AR | |
| | 3J 16172 | 1 | Plate, Spring - 19.01 - AR | |
| | 3J 16173 | 1 | Plate, Spring - 19.03 - AR | |
| | 3J 16174 | 1 | Plate, Spring - 19.05 - AR | |
| | 3J 16175 | 1 | Plate, Spring - 19.07 - AR | |
| 84 | 3J 16838 | 1 | Spring, Compression | |
| 85 | 3J 16177 | 1 | Plate, Spring | |
| 86 | 3J 16178 | 1 | O-ring | |
| 87 | 3J 16182 | 1 | Nut, Collar | |
| 88 | 3J 16839 | 1 | Pin, Threaded | |
| 89 | 3J 16180 | 1 | Nut, Slotted | |
| 90 | 3J 16179 | 1 | Plug | |
| 91 | 3J 18050 | 4 | O-ring | |
| 92 | 3J 16193 | 2 | Sleeve, Spring Dowel | |
| 93 | 3J 16191 | 1 | O-ring | |
| 94 | 3J 18049 | 1 | Plug | |
| 95 | 3J 16092 | 2 | Capscrew | |
| 96 | 3J 16198 | 1 | Ring, Retaining | |
| 97 | 3J 16170 | 1 | Capscrew | |
| 98 | 3J 16193 | 2 | Sleeve, Spring Dowel | |
| 99 | 3J 16194 | 1 | Spacer | |
| 100 | 3J 16196 | 1 | Shim - 0.10 - AR | |
| | 3J 16197 | 1 | Shim - 0.50 - AR | |

Winch Pump Assy

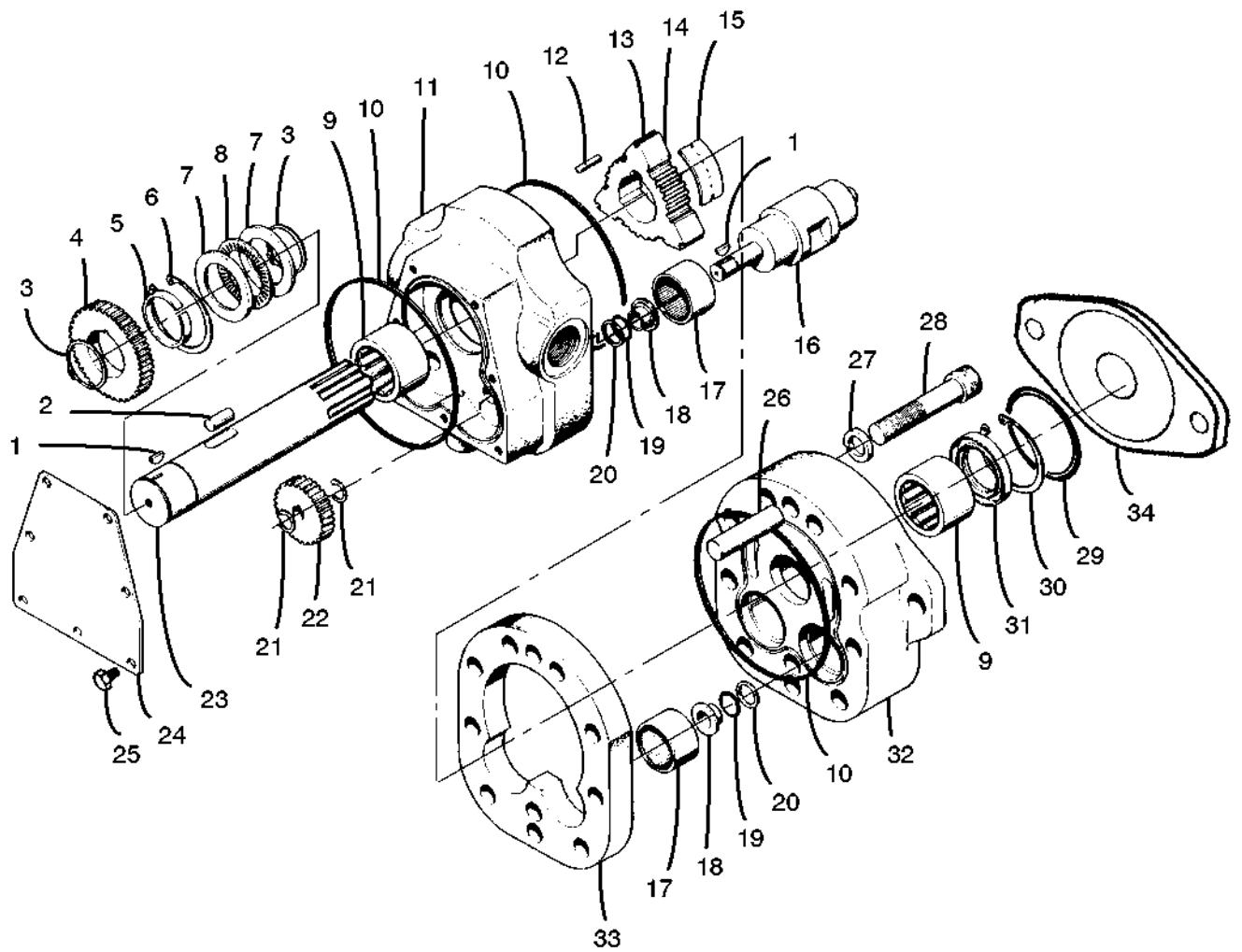


Parts List

1007

| Winch Pump Assy | | | | |
|-----------------|----------|-----|----------------------------|---------|
| REF | PART NO. | QTY | DESCRIPTION | REMARKS |
| 101 | 3J 16178 | 1 | O-ring | |
| 102 | 3J 16179 | 1 | Plug | |
| 103 | 3J 16180 | 1 | Nut, Slotted | |
| 104 | 3J 16839 | 1 | Pin, Threaded | |
| 105 | 3J 16182 | 1 | Nut, Collar | |
| 106 | 3J 16177 | 1 | Plate, Spring | |
| 107 | 3J 16838 | 1 | Spring, Compression | |
| 108 | 3J 16171 | 1 | Plate, Spring - 18.99 - AR | |
| | 3J 16172 | 1 | Plate, Spring - 19.01 - AR | |
| | 3J 16173 | 1 | Plate, Spring - 19.03 - AR | |
| | 3J 16174 | 1 | Plate, Spring - 19.05 - AR | |
| | 3J 16175 | 1 | Plate, Spring - 19.07 - AR | |
| 109 | 3J 16170 | 1 | Capscrew | |
| 110 | REF | 1 | Spool | NSS |

Swing Motor Assy

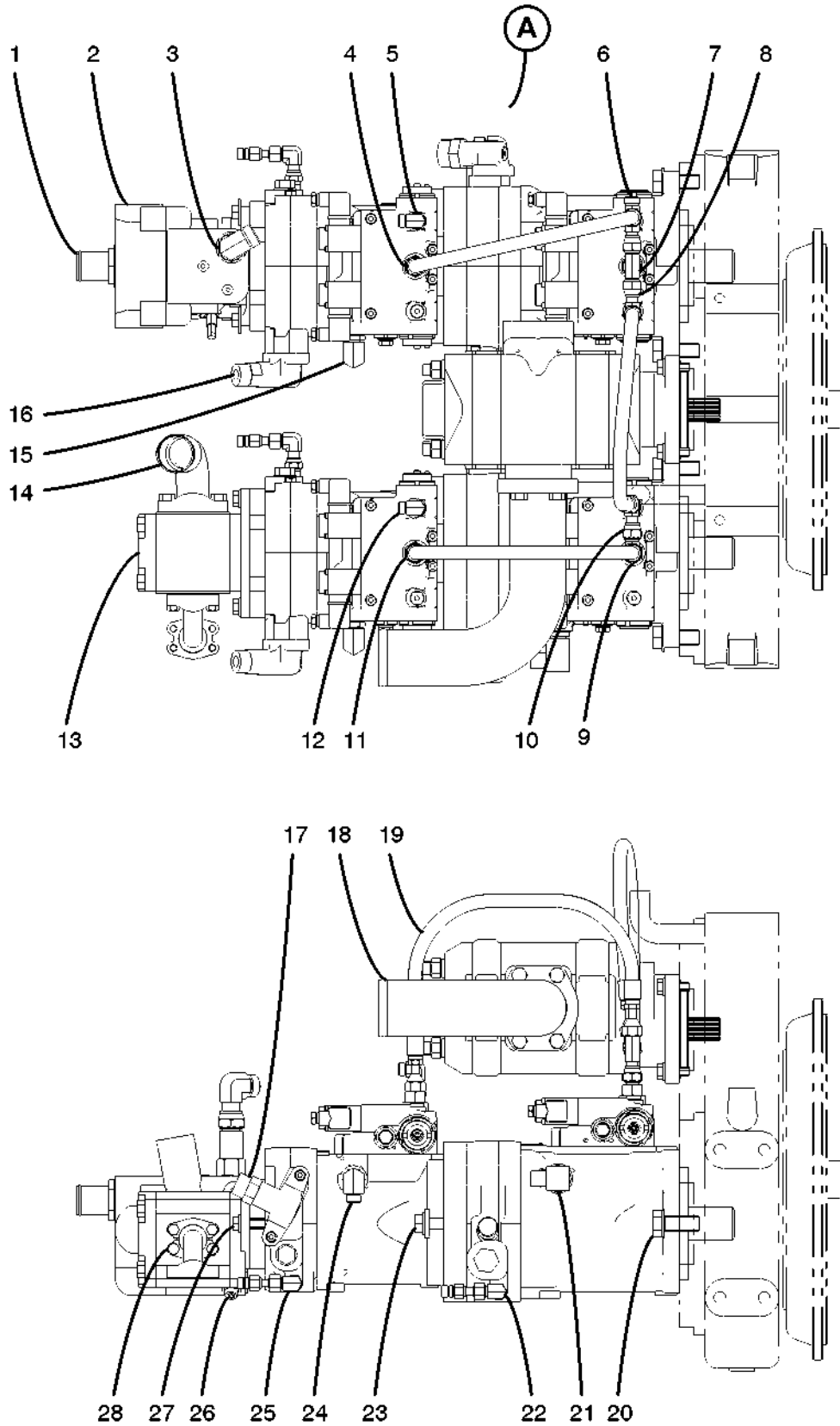


Parts List

0710

| Swing Motor Assy | | | | |
|------------------|----------|-----|---------------------------------|---------|
| REF | PART NO. | QTY | DESCRIPTION | REMARKS |
| | D3J0564 | 1 | Swing Motor Assy | |
| 1 | 3A 9043 | 3 | Key, Woodruff | |
| 2 | 3A 9063 | 1 | Pin, Drive | |
| 3 | 3A 9048 | 2 | Ring, Retaining | |
| 4 | 3A 9047 | 1 | Gear, Drive | |
| 5 | 3A 9065 | 1 | Spacer | |
| 6 | 3A 9058 | 1 | Ring, Retaining | |
| 7 | 3A 9055 | 2 | Race, Bearing | |
| 8 | 3A 9056 | 1 | Bearing, Thrust | |
| 9 | 3A 9052 | 2 | Bearing, Needle | |
| 10 | 3A 9054 | 3 | Seal, Oil | KA |
| 11 | 3J 8608 | 1 | Cap, End – Rear | |
| 12 | 3J 8609 | 18 | Roller, Body Seal | |
| 13 | 3A 9061 | 3 | Roller, Tip Seal | |
| 14 | 3A 9060 | 1 | Rotor | |
| 15 | 3A 9071 | 3 | Plate, Seal | |
| 16 | 3A 9062 | 2 | Valve, Abutment | |
| 17 | 3A 9051 | 4 | Bearing, Needle | |
| 18 | 3A 9045 | 4 | Bearing, Step | |
| 19 | 3A 9049 | 4 | O–ring | KA |
| 20 | 3A 9050 | 4 | Ring, Back Up | KA |
| 21 | 3A 9044 | 4 | Ring, Retaining | |
| 22 | 3A 9046 | 2 | Pinion, Gear | |
| 23 | 3A 9067 | 1 | Shaft – 13 Tooth | |
| 24 | 3A 9072 | 1 | Cover, Gear | |
| 25 | 3A 9066 | 7 | Capscrew | |
| 26 | 3A 9053 | 2 | Pin, Dowel | |
| 27 | 3A 9057 | 9 | Lockwasher | |
| 28 | 3A 9073 | 9 | Capscrew | |
| 29 | 3J 14412 | 1 | Ring, Quad | KA |
| 30 | 3A 9069 | 1 | Ring, Retaining | |
| 31 | 3A 9068 | 1 | Seal, Shaft | KA |
| 32 | 3J 13614 | 1 | Cap, End – Front | |
| 33 | 3A 9059 | 1 | Housing, Displacement | |
| 34 | 3J 13619 | 1 | Cap, Sealing – Front | |
| | 3J 13621 | 1 | Kit, Seal – All Items Marked KA | |

2 Winch Pumps Installation

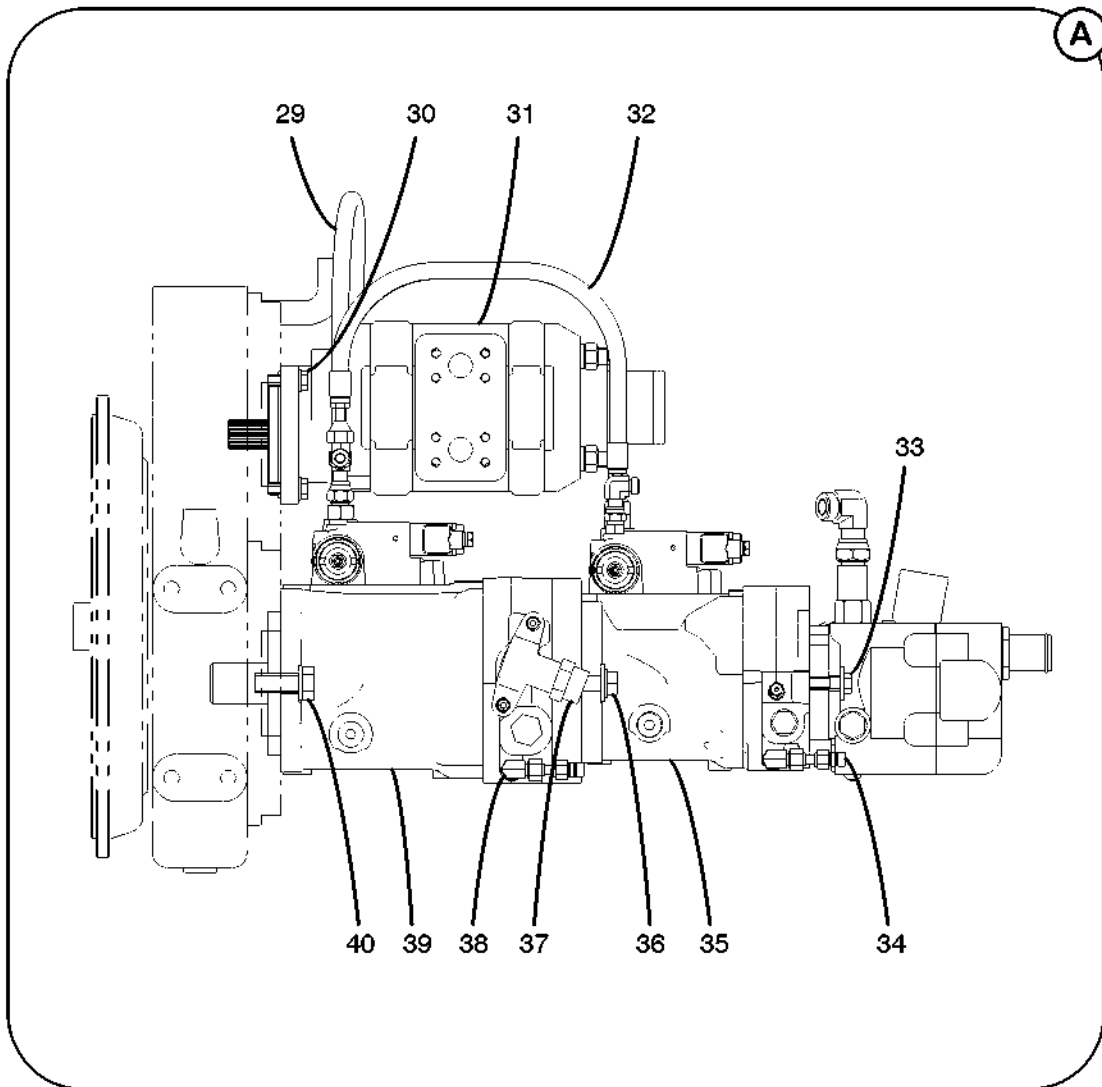


Parts List

0908

| 2 Winch Pumps Installation | | | | |
|----------------------------|-----------|-----|---|---------|
| REF | PART NO. | QTY | DESCRIPTION | REMARKS |
| 1 | 1X 7574 | 1 | Stem, Hose | |
| 2 | REF | 1 | Controls Pump Assy – See Keysheet 07–005 | |
| 3 | 1X 7407 | 1 | Elbow | |
| | 1X 7381 | 1 | Connector | |
| 4 | J7J0819 | 1 | Adaptor, Metric | |
| 5 | 1X 7404 | 1 | Elbow | |
| | R3J0305 | 1 | Adaptor, Metric | |
| 6 | 1X 7415 | 1 | Tee | |
| 7 | 1X 7411 | 1 | Tee | |
| | J7J0819 | 1 | Adaptor, Metric | |
| 8 | 1X 7405 | 1 | Elbow | |
| 9 | 1X 7415 | 1 | Tee | |
| | J7J0819 | 1 | Adaptor, Metric | |
| 10 | 1X 7405 | 1 | Elbow | |
| 11 | J7J0819 | 1 | Adaptor, Metric | |
| 12 | 1X 7404 | 1 | Elbow | |
| | R3J0305 | 1 | Adaptor, Metric | |
| 13 | REF | 1 | Swing/Steer Pump Assy – See Keysheet 07–005 | |
| 14 | L8J0261 | 1 | Tube Assy | |
| | 20J3148 | 2 | Flange, Split | |
| | 20J0770 | 1 | O–ring | |
| | 126009028 | 4 | Capscrew | |
| 15 | J7J0821 | 1 | Elbow | |
| 16 | J7J0820 | 1 | Adaptor, Metric | |
| 17 | J7J0820 | 1 | Adaptor, Metric | |
| 18 | J7J0291 | 1 | Tube Assy | |
| | 31J0179 | 1 | O–ring | |
| | 126009029 | 4 | Capscrew | |
| 19 | H9J0035 | 1 | Hose Assy | |
| 20 | 126004007 | 2 | Capscrew | |
| | 128002010 | 2 | Washer | |
| 21 | J7J0818 | 2 | Elbow | |
| 22 | D6J0690 | 2 | Disconnect, Quick | |
| | 1X 7404 | 2 | Elbow | |
| | J7J0757 | 2 | Adaptor, Metric | |
| 23 | 126004049 | 2 | Capscrew | |
| | 128003008 | 2 | Washer – 1.56" OD | |
| | 128002009 | 2 | Washer – 30mm OD | |
| 24 | J7J0821 | 1 | Elbow | |
| 25 | D6J0690 | 2 | Disconnect, Quick | |
| | 1X 7404 | 2 | Elbow | |
| | J7J0757 | 2 | Adaptor, Metric | |
| 26 | 1X 7367 | 1 | Connector | |
| 27 | 126004065 | 2 | Capscrew | |
| | 128002001 | 2 | Washer | |
| 28 | 1X 5743 | 1 | Elbow | |
| | 16J0201 | 2 | Flange, Split | |
| | 20J0990 | 1 | O–ring | |
| | 126009014 | 4 | Capscrew | |
| 29 | H9J0035 | 1 | Hose Assy | |
| 30 | 126004015 | 4 | Capscrew | |
| | 128002001 | 4 | Washer | |

2 Winch Pumps Installation

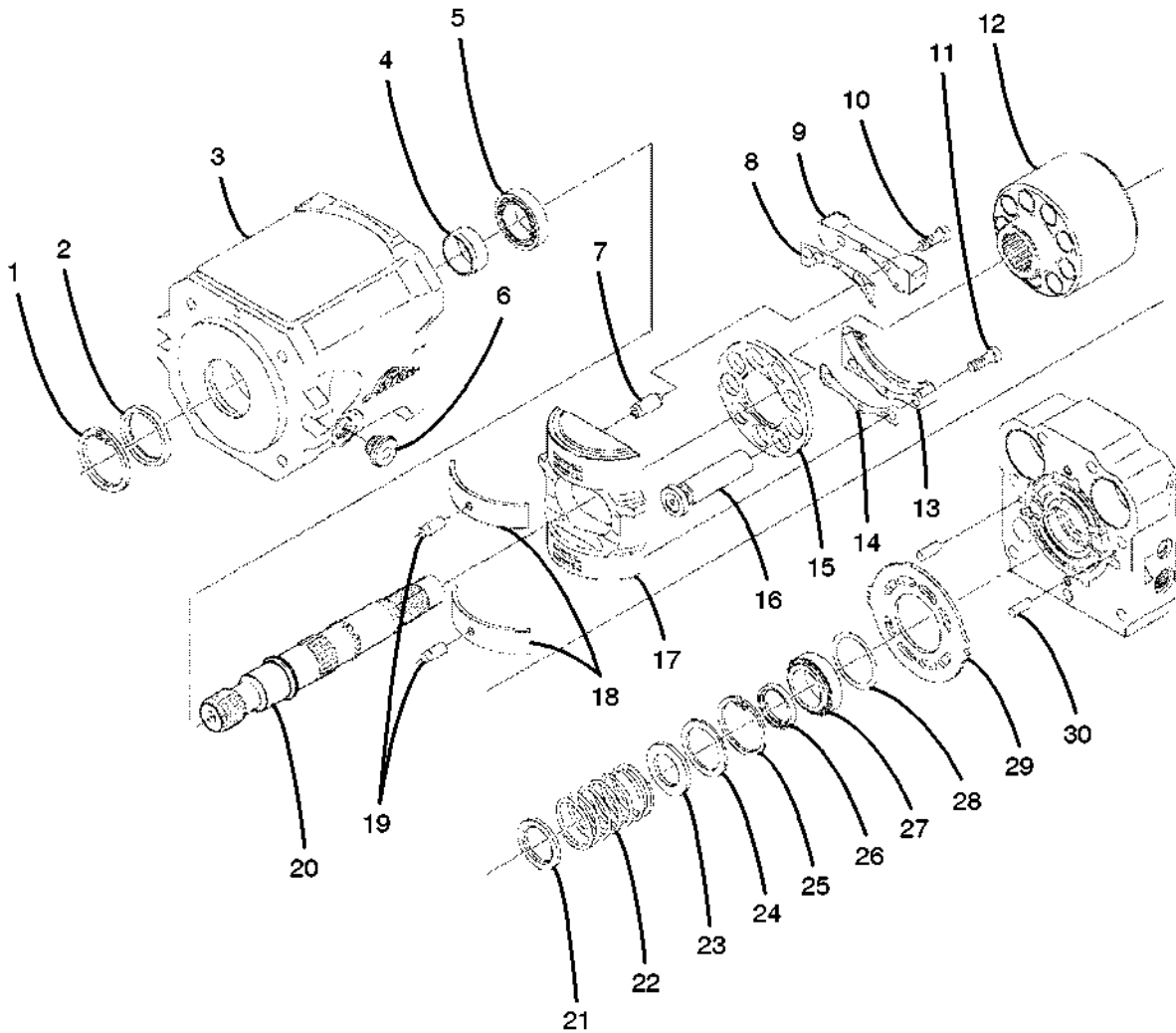


Parts List

0908

| 2 Winch Pumps Installation | | | | |
|----------------------------|-----------|-----|---|---------|
| REF | PART NO. | QTY | DESCRIPTION | REMARKS |
| 31 | REF | 1 | Boom Hoist/Telescope/Charge Pump Assy – See Keysheet 07–005 | |
| | 25V0330 | 1 | O–ring | |
| 32 | H9J0035 | 1 | Hose Assy | |
| 33 | 126004065 | 2 | Capscrew | |
| | 128003007 | 2 | Washer | |
| 34 | D6J0690 | 2 | Disconnect, Quick | |
| | 1X 7404 | 2 | Elbow | |
| | J7J0757 | 2 | Adaptor, Metric | |
| 35 | REF | 2 | Winch Pump Assy – See Keysheet 07–005 | |
| 36 | 126004049 | 2 | Capscrew | |
| | 128002009 | 2 | Washer – 30mm OD | |
| | 128003008 | 2 | Washer – 1.56" OD | |
| 37 | J7J0817 | 2 | Adaptor, Metric | |
| 38 | D6J0690 | 2 | Disconnect, Quick | |
| | 1X 7404 | 2 | Elbow | |
| | J7J0757 | 2 | Adaptor, Metric | |
| 39 | REF | 2 | Travel Pump Assy – See Keysheet 07–005 | |
| | 1X 8200 | 2 | O–ring | |
| 40 | 126004007 | 2 | Capscrew | |
| | 128002010 | 2 | Washer | |

Winch Motor Assy



Parts List

0210

| Winch Motor Assy | | | | |
|------------------|----------|-----|--------------------|---------|
| REF | PART NO. | QTY | DESCRIPTION | REMARKS |
| | R3J0070 | 1 | Winch Motor Assy | |
| 1 | 3J 15906 | 1 | Ring, Retaining | |
| 2 | 3J 15907 | 1 | Seal, Shaft | |
| 3 | 3J 18363 | 1 | Housing | |
| 4 | 3J 17893 | 1 | Race, Seal | |
| 5 | 3J 15910 | 1 | Bearing, Roller | |
| 6 | 3J 6534 | 1 | Plug | |
| 7 | 3J 15915 | 4 | Bushing | |
| 8 | 3J 17069 | 1 | Shim - 0.050" - AR | |
| | 3J 17070 | 1 | Shim - 0.075" - AR | |
| | 3J 17071 | 1 | Shim - 1.100" - AR | |
| 9 | 3J 15923 | 1 | Plate | |
| 10 | 3J 15922 | 2 | Capscrew | |
| 11 | 3J 15922 | 2 | Capscrew | |
| 12 | 3J 18364 | 1 | Barrel, Cylinder | |
| 13 | 3J 15921 | 1 | Plate | |
| 14 | 3J 15918 | 1 | Shim - 0.050" - AR | |
| | 3J 15919 | 1 | Shim - 0.075" - AR | |
| | 3J 15920 | 1 | Shim - 0.100" - AR | |
| 15 | 3J 15917 | 1 | Plate, Retaining | |
| 16 | 3J 15916 | 9 | Piston | |
| 17 | 3J 15914 | 1 | Cradle | |
| 18 | 3J 15913 | 2 | Bearing, Slide | |
| 19 | 3J 15912 | 2 | Pin, Guide | |
| 20 | 3J 18041 | 1 | Shaft | |
| 21 | 3J 15925 | 1 | Washer | |
| 22 | 3J 15926 | 1 | Spring | |
| 23 | 3J 15927 | 1 | Washer | |
| 24 | 3J 15928 | 1 | Shim - 0.100" - AR | |
| | 3J 15929 | 1 | Shim - 0.300" - AR | |
| | 3J 15930 | 1 | Shim - 1.000" - AR | |
| 25 | 3J 15931 | 1 | Ring, Retaining | |
| 26 | 3J 15932 | 1 | Washer | |
| 27 | 3J 15933 | 1 | Bearing, Roller | |
| 28 | 3J 15934 | 1 | Shim - 1.000" - AR | |
| | 3J 15935 | 1 | Shim - 1.050" - AR | |
| | 3J 15936 | 1 | Shim - 1.100" - AR | |
| | 3J 15937 | 1 | Shim - 1.150" - AR | |
| | 3J 15938 | 1 | Shim - 1.200" - AR | |
| | 3J 15939 | 1 | Shim - 1.250" - AR | |
| | 3J 15940 | 1 | Shim - 1.500" - AR | |
| | 3J 15941 | 1 | Shim - 1.750" - AR | |
| 29 | 3J 15942 | 1 | Plate, Port | |
| 30 | 3J 15943 | 2 | Pin, Guide | |
| 31 | 3J 15955 | 1 | Piston, Servo | |
| 32 | 3J 18373 | 1 | Tube, Lube | |
| 33 | 3J 15954 | 1 | Ring, Seal | |
| 34 | 3J 15952 | 1 | Ring, Support | |
| 35 | 3J 15951 | 1 | O-ring | |

Parts List

0210

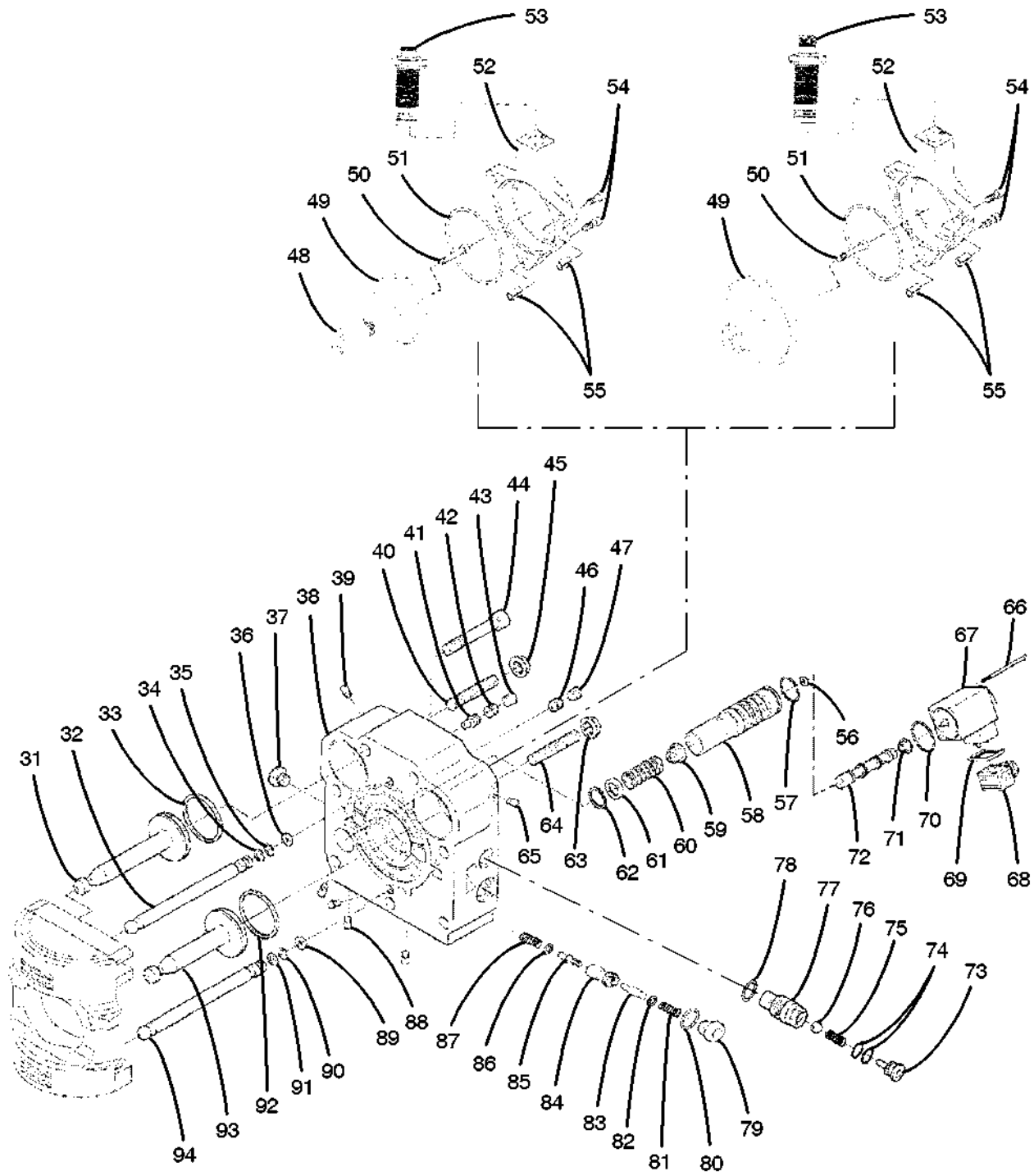
07-006-469.00

| Winch Motor Assy | | | | |
|------------------|----------|-----|---------------------------------|---------|
| REF | PART NO. | QTY | DESCRIPTION | REMARKS |
| 36 | 3J 16118 | 1 | Washer – 3" X 7.5" X 1.95" – AR | |
| | 3J 16119 | 1 | Washer – 3" X 7.5" X 2.02" – AR | |
| | 3J 16120 | 1 | Washer – 3" X 7.5" X 2.10" – AR | |
| | 3J 16121 | 1 | Washer – 3" X 7.5" X 2.17" – AR | |
| | 3J 16122 | 1 | Washer – 3" X 7.5" X 2.25" – AR | |
| | 3J 16123 | 1 | Washer – 3" X 7.5" X 2.32" – AR | |
| | 3J 16124 | 1 | Washer – 3" X 7.5" X 2.40" – AR | |
| | 3J 18366 | 1 | Washer – 3" X 7.5" X 2.44" – AR | |
| | 3J 16125 | 1 | Washer – 3" X 7.5" X 2.47" – AR | |
| | 3J 18367 | 1 | Washer – 3" X 7.5" X 2.51" – AR | |
| | 3J 16126 | 1 | Washer – 3" X 7.5" X 2.55" – AR | |
| | 3J 18368 | 1 | Washer – 3" X 7.5" X 2.59" – AR | |
| | 3J 16127 | 1 | Washer – 3" X 7.5" X 2.62" – AR | |
| | 3J 18369 | 1 | Washer – 3" X 7.5" X 2.66" – AR | |
| | 3J 16128 | 1 | Washer – 3" X 7.5" X 2.70" – AR | |
| | 3J 18370 | 1 | Washer – 3" X 7.5" X 2.74" – AR | |
| | 3J 16129 | 1 | Washer – 3" X 7.5" X 2.77" – AR | |
| | 3J 18371 | 1 | Washer – 3" X 7.5" X 2.81" – AR | |
| | 3J 16130 | 1 | Washer – 3" X 7.5" X 2.85" – AR | |
| | 3J 18694 | 1 | Washer – 3" X 7.5" X 2.89" – AR | |
| | 3J 16131 | 1 | Washer – 3" X 7.5" X 2.92" – AR | |
| | 3J 16132 | 1 | Washer – 3" X 7.5" X 3.00" – AR | |
| | 3J 16133 | 1 | Washer – 3" X 7.5" X 3.07" – AR | |
| | 3J 16134 | 1 | Washer – 3" X 7.5" X 3.15" – AR | |
| | 3J 16135 | 1 | Washer – 3" X 7.5" X 3.22" – AR | |
| | 3J 16136 | 1 | Washer – 3" X 7.5" X 3.30" – AR | |
| | 3J 16137 | 1 | Washer – 3" X 7.5" X 3.37" – AR | |
| | 3J 16138 | 1 | Washer – 3" X 7.5" X 3.45" – AR | |
| 37 | 3J 6137 | 1 | Plug | |
| 38 | REF | 1 | Housing | NSS |
| 39 | 3J 15944 | 1 | Plug | |
| 40 | 3J 15957 | 1 | Stud | |
| 41 | 3J 15989 | 1 | Orifice | |
| 42 | 3J 16840 | 1 | Orifice | |
| 43 | 3J 15987 | 1 | Plug | |
| 44 | 3J 15959 | 7 | Capscrew | |
| 45 | 3J 15958 | 1 | Nut, Seal | |
| 46 | 3J 16840 | 1 | Orifice | |
| 47 | 3J 15987 | 1 | Plug | |
| 48 | 3J 17628 | 1 | Extension, Shaft | F2 |
| 49 | 3J 18044 | 1 | Wheel, Impulse | F1 |
| | 3J 17625 | 1 | Wheel, Impulse | F2 |
| 50 | 3J 15992 | 1 | Capscrew | |
| 51 | 3J 15993 | 1 | O-ring | |
| 52 | 3J 17627 | 1 | Housing, Sensor | |
| 53 | 3J 16612 | 1 | Sensor, Proximity | |
| 54 | 3J 15997 | 3 | Capscrew | |
| 55 | 3J 15996 | 2 | Pin, Spring | |
| 56 | 3J 15979 | 1 | Washer, Support | |
| 57 | 3J 15978 | 1 | O-ring | |

Parts List

0210

Winch Motor Assy



Parts List

0210

07-006-469.00

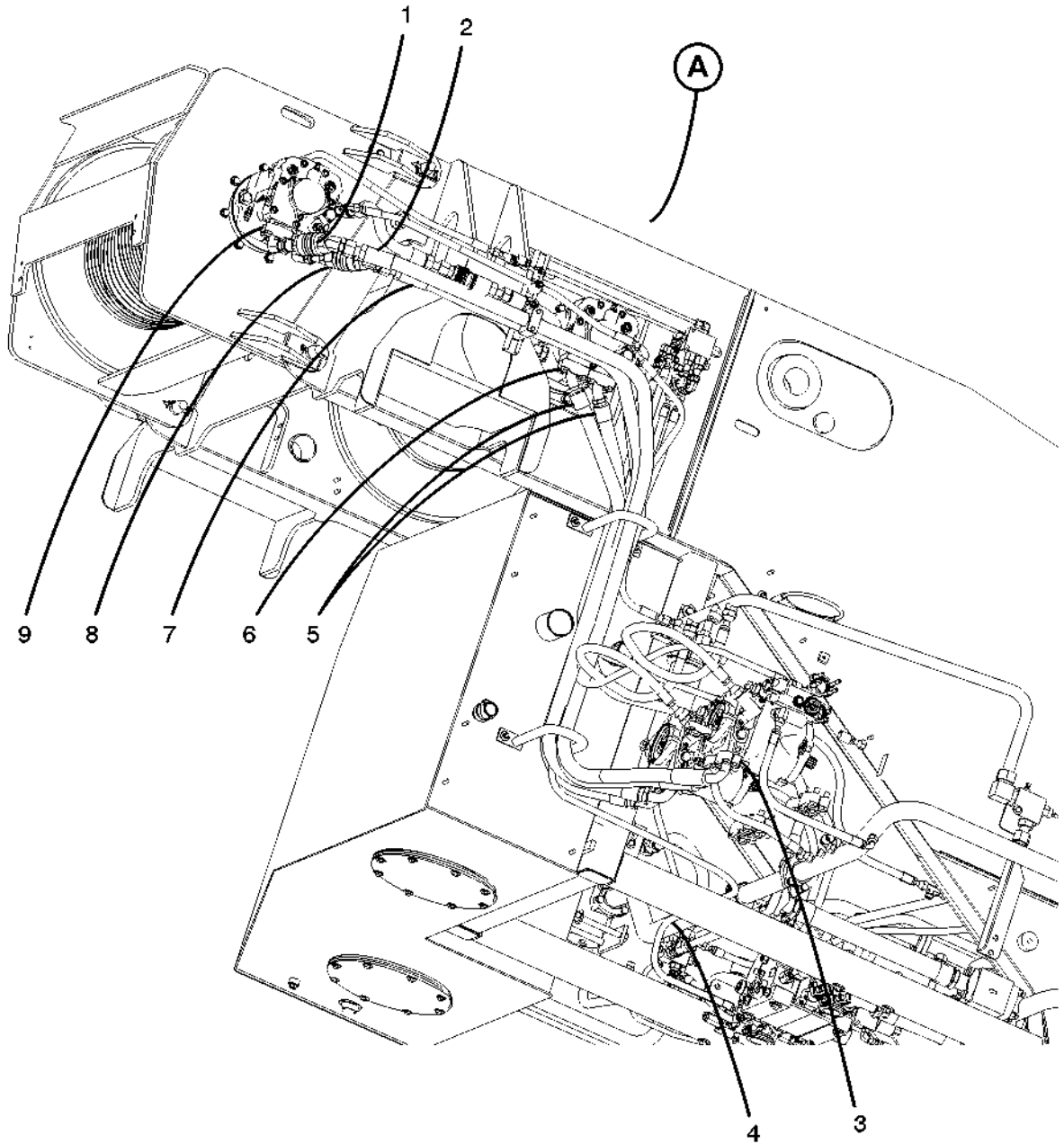
| Winch Motor Assy | | | | |
|------------------|----------|-----|----------------------|---------|
| REF | PART NO. | QTY | DESCRIPTION | REMARKS |
| 58 | 3J 15976 | 1 | Bushing | |
| 59 | 3J 17910 | 1 | Washer | |
| 60 | 3J 15973 | 1 | Spring | |
| 61 | 3J 15972 | 1 | Washer | |
| 62 | 3J 15971 | 1 | Ring, Retaining | |
| 63 | 3J 15958 | 1 | Nut, Seal | |
| 64 | 3J 15957 | 1 | Stud | |
| 65 | 3J 15944 | 1 | Plug | |
| 66 | 3J 15986 | 4 | Capscrew | |
| 67 | 3J 18043 | 1 | Magnet | |
| 68 | 3J 15985 | 1 | Solenoid | |
| 69 | 3J 15984 | 1 | Seal | |
| 70 | 3J 15969 | 1 | O-ring | |
| 71 | 3J 15981 | 1 | Bushing | |
| 72 | 3J 17911 | 1 | Spool | |
| | 3J 15960 | 1 | Flushing Valve Assy | |
| 73 | 3J 17341 | 1 | Cap | |
| 74 | 3J 15964 | 1 | Washer - 0.100" - AR | |
| | 3J 15965 | 1 | Washer - 0.500" - AR | |
| 75 | 3J 15963 | 1 | Spring | |
| 76 | 3J 15962 | 1 | Ball | |
| 77 | 3J 17339 | 1 | Housing | |
| 78 | 3J 15961 | 1 | O-ring | |
| 79 | 3J 15970 | 1 | Plug Assy | |
| 80 | 3J 15969 | 1 | O-ring | |
| | 3J 18697 | 1 | Shuttle Valve Assy | |
| 81 | 3J 15968 | 1 | Spring | |
| 82 | 3J 15967 | 1 | Shim | |
| 83 | 3J 18042 | 1 | Spool | |
| 84 | REF | 1 | Housing | NSS |
| 85 | 3J 18042 | 1 | Spool | |
| 86 | 3J 15967 | 1 | Shim | |
| 87 | 3J 15968 | 1 | Spring | |
| 88 | 3J 15944 | 4 | Plug | |

Parts List

0210

| Winch Motor Assy | | | | |
|------------------|----------|-----|--|---------|
| REF | PART NO. | QTY | DESCRIPTION | REMARKS |
| 89 | 3J 16118 | 1 | Washer – 3" X 7.5" X 1.95" – AR | |
| | 3J 16119 | 1 | Washer – 3" X 7.5" X 2.02" – AR | |
| | 3J 16120 | 1 | Washer – 3" X 7.5" X 2.10" – AR | |
| | 3J 16121 | 1 | Washer – 3" X 7.5" X 2.17" – AR | |
| | 3J 16122 | 1 | Washer – 3" X 7.5" X 2.25" – AR | |
| | 3J 16123 | 1 | Washer – 3" X 7.5" X 2.32" – AR | |
| | 3J 16124 | 1 | Washer – 3" X 7.5" X 2.40" – AR | |
| | 3J 18366 | 1 | Washer – 3" X 7.5" X 2.44" – AR | |
| | 3J 16125 | 1 | Washer – 3" X 7.5" X 2.47" – AR | |
| | 3J 18367 | 1 | Washer – 3" X 7.5" X 2.51" – AR | |
| | 3J 16126 | 1 | Washer – 3" X 7.5" X 2.55" – AR | |
| | 3J 18368 | 1 | Washer – 3" X 7.5" X 2.59" – AR | |
| | 3J 16127 | 1 | Washer – 3" X 7.5" X 2.62" – AR | |
| | 3J 18369 | 1 | Washer – 3" X 7.5" X 2.66" – AR | |
| | 3J 16128 | 1 | Washer – 3" X 7.5" X 2.70" – AR | |
| | 3J 18370 | 1 | Washer – 3" X 7.5" X 2.74" – AR | |
| | 3J 16129 | 1 | Washer – 3" X 7.5" X 2.77" – AR | |
| | 3J 18371 | 1 | Washer – 3" X 7.5" X 2.81" – AR | |
| | 3J 16130 | 1 | Washer – 3" X 7.5" X 2.85" – AR | |
| | 3J 18694 | 1 | Washer – 3" X 7.5" X 2.89" – AR | |
| | 3J 16131 | 1 | Washer – 3" X 7.5" X 2.92" – AR | |
| | 3J 16132 | 1 | Washer – 3" X 7.5" X 3.00" – AR | |
| | 3J 16133 | 1 | Washer – 3" X 7.5" X 3.07" – AR | |
| | 3J 16134 | 1 | Washer – 3" X 7.5" X 3.15" – AR | |
| | 3J 16135 | 1 | Washer – 3" X 7.5" X 3.22" – AR | |
| | 3J 16136 | 1 | Washer – 3" X 7.5" X 3.30" – AR | |
| | 3J 16137 | 1 | Washer – 3" X 7.5" X 3.37" – AR | |
| | 3J 16138 | 1 | Washer – 3" X 7.5" X 3.45" – AR | |
| 90 | 3J 15951 | 1 | O-ring | |
| 91 | 3J 15952 | 1 | Ring, Support | |
| 92 | 3J 15954 | 1 | Ring, Seal | |
| 93 | 3J 15956 | 1 | Piston, Servo | |
| 94 | 3J 15953 | 1 | Tube, Lube | |
| | F1 | | Used On Motors Manufactured In/After January 2010. Refer To The ID Plate Located On The Motor For Production Date. | |
| | F2 | | Used On Motors Manufactured Prior To January 2010. Refer To The ID Plate Located On The Motor For Production Date. | |

Two Winch Plumbing

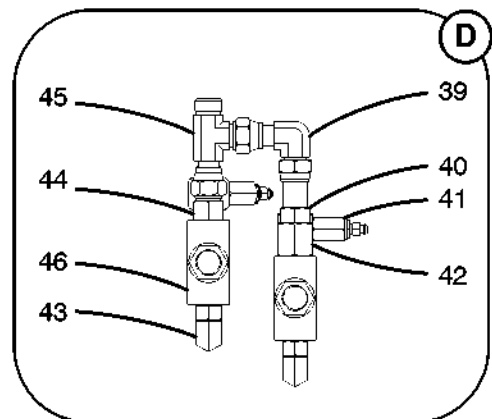
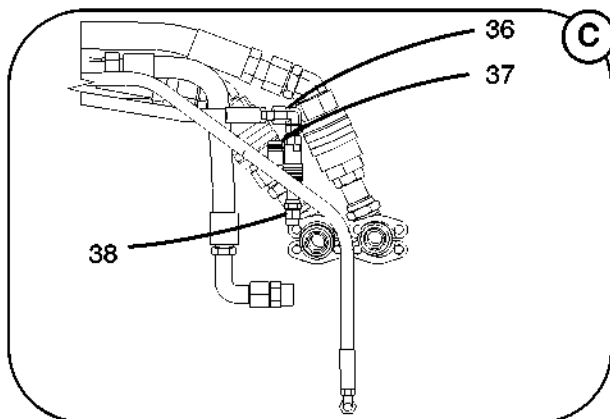
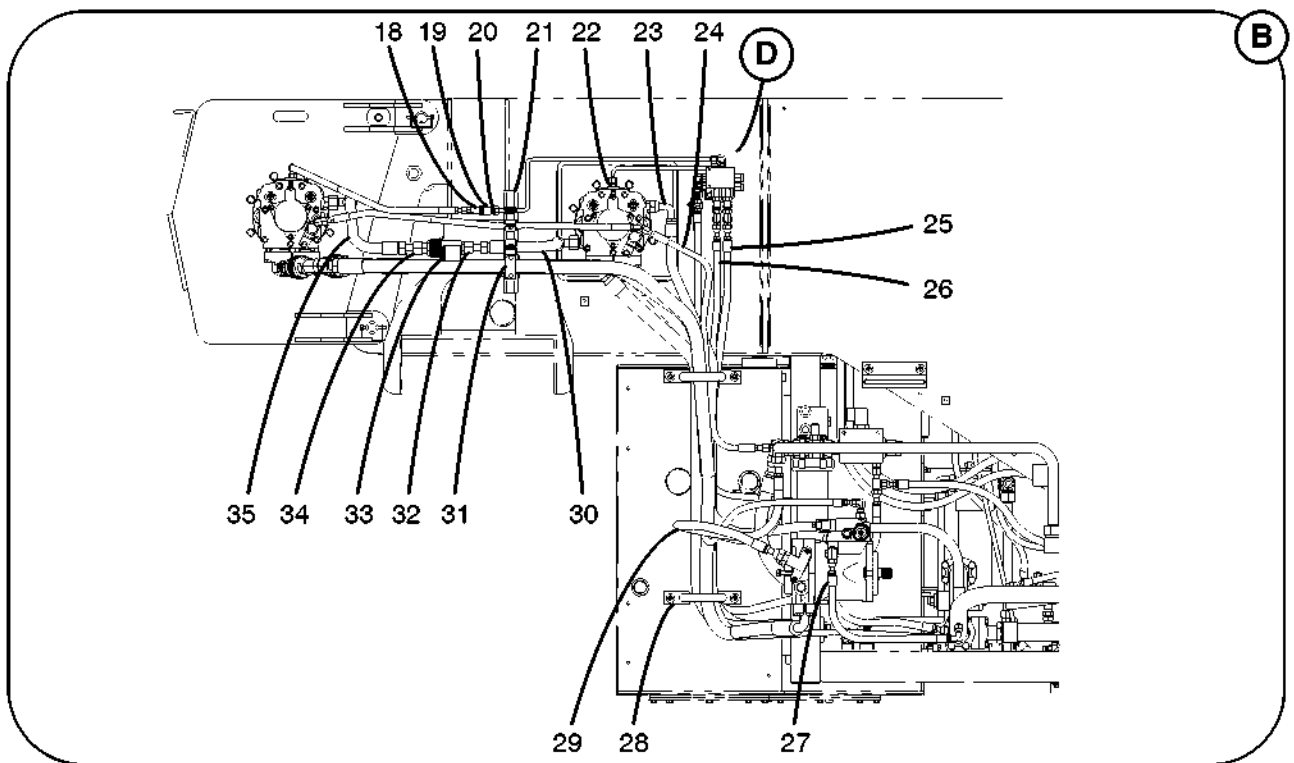
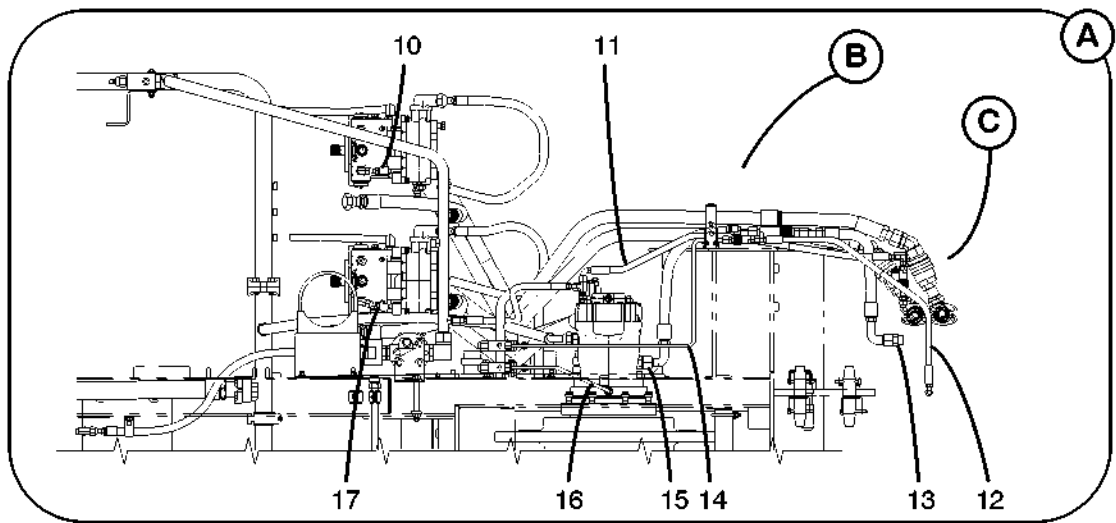


Parts List

0510

| Two Winch Plumbing | | | | |
|--------------------|-----------|-----|------------------------|---------|
| REF | PART NO. | QTY | DESCRIPTION | REMARKS |
| 1 | J7J0533 | 1 | Nose, Quick Disconnect | |
| | J7J0532 | 1 | Body, Quick Disconnect | |
| | 1X 7623 | 1 | Connector | |
| 2 | J7J0525 | 1 | Hose Assy | |
| | 1X 7705 | 1 | Elbow | |
| 3 | KTJ0168 | 8 | Flange, Split | |
| | 20J0990 | 4 | O-ring | |
| | 126006021 | 16 | Capscrew | |
| 4 | 71J0005 | 2 | Tie, Cable | |
| 5 | J7J0524 | 2 | Hose Assy | |
| 6 | KTJ0168 | 4 | Flange, Split | |
| | 20J0990 | 2 | O-ring | |
| | 126006021 | 8 | Capscrew | |
| 7 | J7J0543 | 1 | Hose Assy | |
| | 1X 7705 | 1 | Elbow | |
| 8 | J7J0533 | 1 | Nose, Quick Disconnect | |
| | J7J0532 | 1 | Body, Quick Disconnect | |
| | 1X 7623 | 1 | Connector | |
| 9 | KTJ0168 | 4 | Flange, Split | |
| | J7J0522 | 2 | Adaptor, Flange | |
| | 20J0990 | 2 | O-ring | |
| | 126006021 | 8 | Capscrew | |
| 10 | 70J0113 | 1 | Hose Assy | |
| 11 | D7J0457 | 1 | Hose Assy | |
| | J7J0507 | 1 | Adaptor, Metric | |
| | 1X 7414 | 1 | Tee | |
| 12 | D7J0340 | 1 | Hose Assy | |
| | 1X 7368 | 1 | Connector | |
| 13 | J7J0424 | 1 | Adaptor, Metric | |
| 14 | J7J0571 | 1 | Tube Assy | |
| 15 | J7J0424 | 1 | Adaptor, Metric | |
| 16 | J7J0570 | 1 | Tube Assy | |
| 17 | 65J0613 | 1 | Hose Assy | |
| 18 | 1X 5548 | 1 | Body, Quick Disconnect | |
| | 1X 7368 | 1 | Connector | |
| 19 | 1A 4401 | 1 | Plug, Dust | |
| | 1A 4402 | 1 | Cap, Dust | |
| 20 | 1X 7368 | 1 | Connector | |
| | 1X 5552 | 1 | Nose, Quick Disconnect | |
| 21 | 22A2501 | 1 | Clamp - .38" | |
| | 25J0640 | 1 | Clamp - 1.25" | |
| | 26F0089 | 1 | Clamp - .75" | |
| 22 | 1X 7368 | 1 | Connector | |
| 23 | J7J0530 | 1 | Hose Assy | |
| | J7J0424 | 1 | Adaptor, Metric | |
| 24 | H9J0037 | 1 | Hose Assy | |
| 25 | 65J0555 | 1 | Hose Assy | |
| 26 | R3J0196 | 1 | Hose Assy | |
| 27 | F8J0274 | 1 | Hose Assy | |
| 28 | J7J0540 | 2 | Bracket | |
| | 128003004 | 4 | Washer | |
| | 127004003 | 4 | Locknut | |
| 29 | J7J0426 | 1 | Hose Assy | |

Two Winch Plumbing

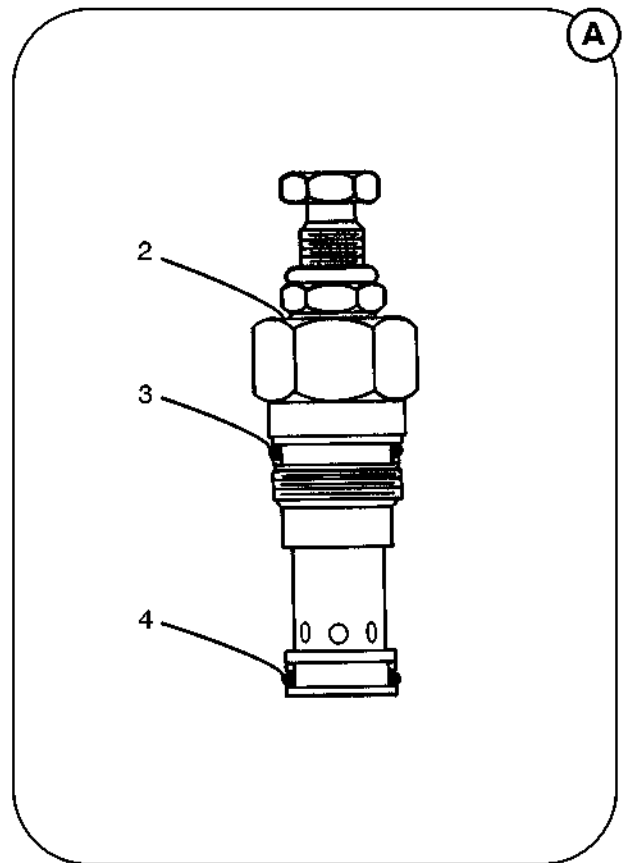
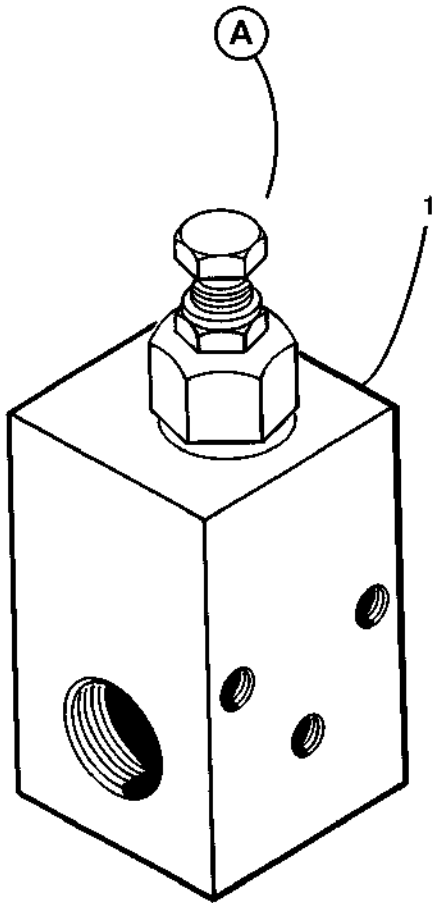


Parts List

0510

| Two Winch Plumbing | | | | |
|--------------------|-----------|-----|--------------------------------------|---------|
| REF | PART NO. | QTY | DESCRIPTION | REMARKS |
| 30 | F8J0214 | 1 | Hose Assy | |
| 31 | E8J0350 | 1 | Plate, Cover | |
| | J6J0136 | 2 | Bolt | |
| | E8J0364 | 2 | Nut, Rail | |
| | E8J0349 | 2 | Clamp, Tube | |
| | 126009006 | 2 | Capscrew | |
| 32 | 1X 7374 | 1 | Connector | |
| | 1X 5550 | 1 | Body, Quick Disconnect | |
| 33 | 8V 0751 | 1 | Plug, Dust | |
| | 8V 0752 | 1 | Cap, Dust | |
| 34 | 1X 7374 | 1 | Connector | |
| | 1X 5554 | 1 | Nose, Quick Disconnect | |
| 35 | F8J0214 | 1 | Hose Assy | |
| 36 | 1X 7385 | 1 | Elbow | |
| | 1X 5552 | 1 | Nose, Quick Disconnect | |
| | 1X 5548 | 1 | Body, Quick Disconnect | |
| 37 | 1A 4401 | 1 | Plug, Dust | |
| | 1A 4402 | 1 | Cap, Dust | |
| 38 | J7J0507 | 1 | Adaptor, Metric | |
| | 1X 7462 | 1 | Connector | |
| | J8J0503 | 1 | Front And Rear Winch Brake Valve S/A | NSS |
| 39 | 1X 7405 | 2 | Elbow | |
| 40 | 1X 7463 | 2 | Connector | |
| 41 | P9J0100 | 2 | Adaptor | |
| | 1X 8367 | 2 | Tee | |
| | 1X 7385 | 2 | Elbow | |
| 42 | 1X 4384 | 2 | Reducer | |
| 43 | 1X 7385 | 2 | Elbow | |
| 44 | 1X 7370 | 2 | Connector | |
| 45 | 1X 7415 | 2 | Tee | |
| 46 | J7J0103 | 2 | Valve, 3 Way | |
| | 3J 15802 | 1 | Cartridge | |
| | 3J 13664 | 1 | Kit, Seal | |
| | 126009009 | 2 | Capscrew | |
| | 128003001 | 2 | Washer | |

Relief Valve Assy

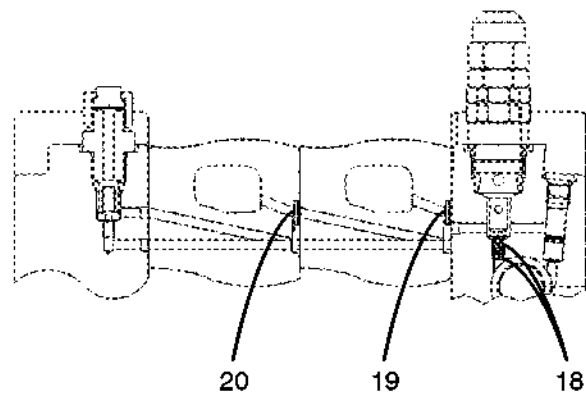
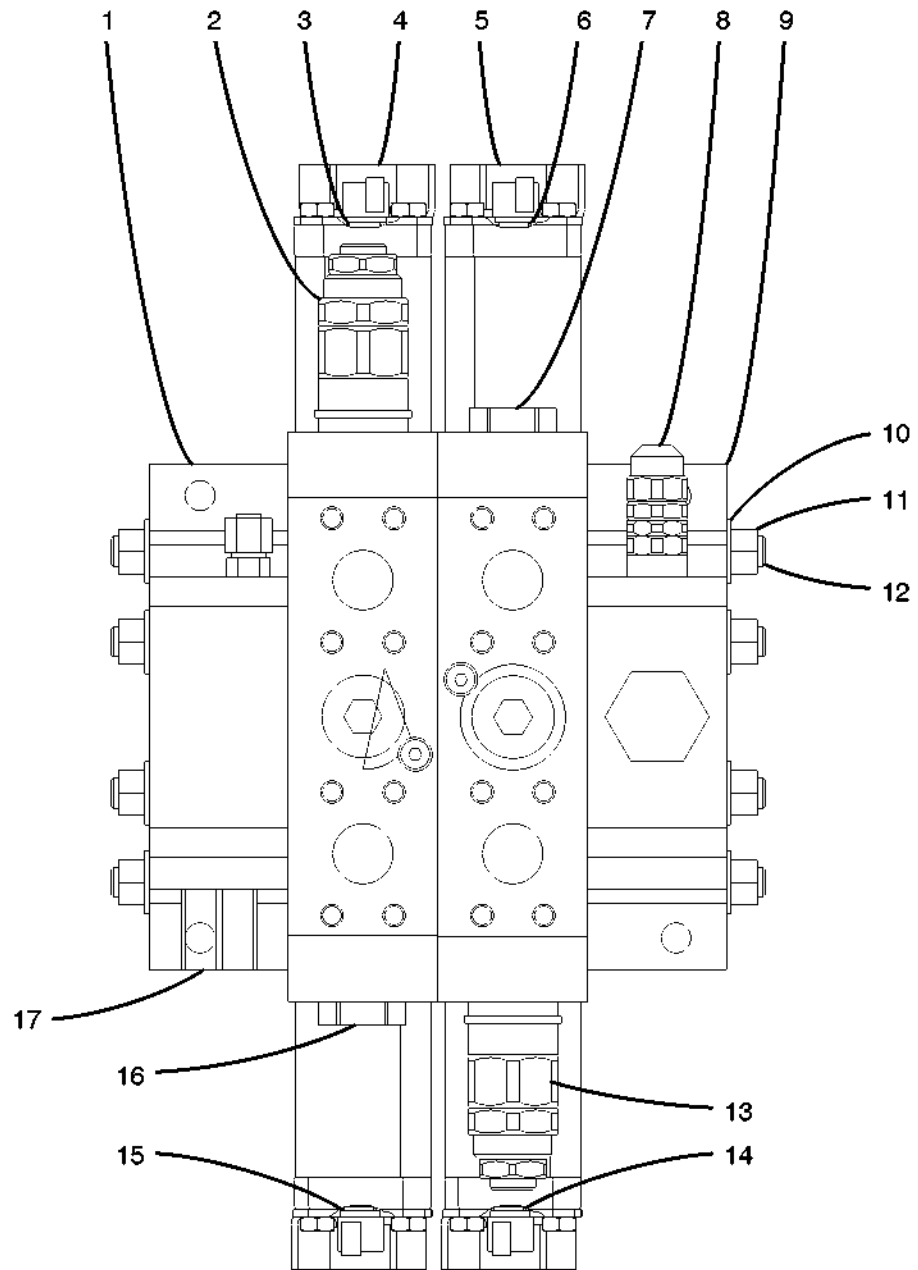


Parts List

0205

| Relief Valve Assy | | | | |
|-------------------|----------|-----|-------------------|---------|
| REF | PART NO. | QTY | DESCRIPTION | REMARKS |
| | 69J0286 | 1 | Relief Valve Assy | |
| 1 | REF | 1 | Body | |
| 2 | 3J 11685 | 1 | Cartridge | |
| 3 | REF | 1 | O-ring | |
| | REF | 1 | Washer, Back Up | |
| 4 | REF | 1 | O-ring | |
| | REF | 1 | Washer, Back Up | |
| | 3J 9744 | 1 | Kit, Seal | |

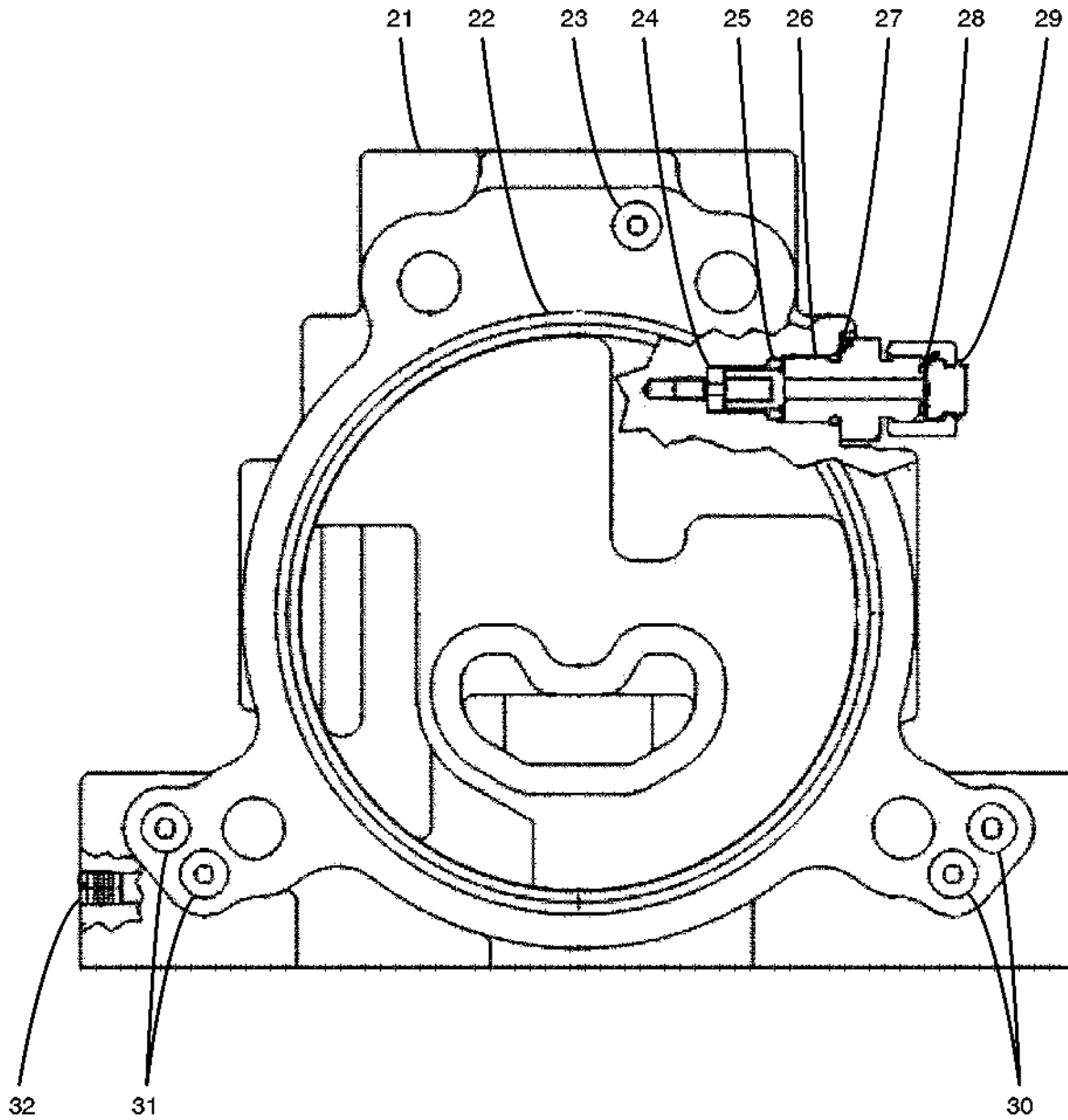
Boom Hoist/Telescope Control Valve Assy



Parts List

1009

Boom Hoist/Telescope Control Valve Assy



Parts List

1009

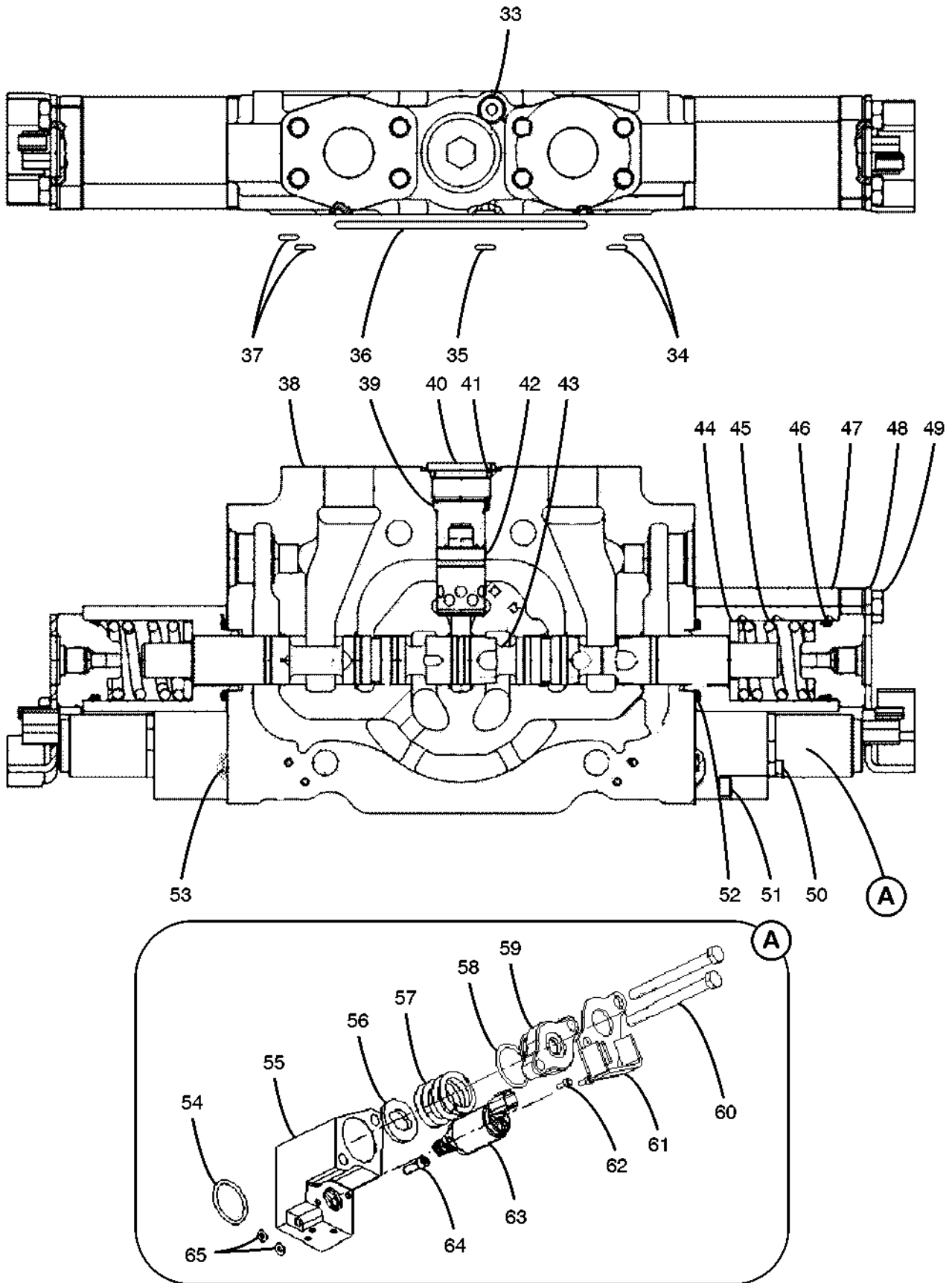
07-008-509.00

| Boom Hoist/Telescope Control Valve Assy | | | | |
|---|----------|-----|---|---------|
| REF | PART NO. | QTY | DESCRIPTION | REMARKS |
| | R3J0055 | 1 | Boom Hoist/Telescope Control Valve Assy | |
| 1 | REF | | Inlet Section Assy | |
| 2 | 3J 18354 | 1 | Relief Valve Assy | |
| | 3J 17018 | 1 | O-ring | |
| 3 | 3J 2205 | 1 | Plug Assy | |
| | REF | 1 | O-ring | NSS,KA |
| 4 | REF | | Spool Section Assy - Telescope | |
| 5 | REF | | Spool Section Assy - Boom Hoist | |
| 6 | 3J 2205 | 1 | Plug Assy | |
| | REF | 1 | O-ring | NSS,KA |
| 7 | 3J 17004 | 1 | Shut-off Plug Assy | |
| | 3J 17011 | 1 | Seal | |
| 8 | 3J 18355 | 1 | Relief Valve Assy | |
| | 3J 16512 | 1 | Seal | |
| | 3J 4215 | 2 | O-ring | |
| 9 | REF | | Outlet Section Assy | |
| 10 | 3J 16978 | 8 | Washer, Compression | |
| 11 | 3J 16979 | 8 | Nut | |
| 12 | 3J 17312 | 4 | Rod, Tie | |
| 13 | 3J 18660 | 1 | Relief Valve Assy | |
| | 3J 18661 | 1 | Kit, Seal & Spring | |
| 14 | 3J 2205 | 1 | Plug Assy | |
| | REF | 1 | O-ring | NSS,KA |
| 15 | 3J 2205 | 1 | Plug Assy | |
| | REF | 1 | O-ring | NSS,KA |
| 16 | 3J 17004 | 1 | Shut-off Plug Assy | |
| | 3J 17011 | 1 | Seal | |
| 17 | 3J 16984 | 1 | Anti-void Assy | |
| | 3J 17010 | 1 | Kit, Seal | |
| 18 | 3J 16985 | 2 | Orifice, Setscrew | |
| 19 | 3J 16469 | 1 | Disc, Shuttle | |
| 20 | 3J 16469 | 1 | Disc, Shuttle | |
| | 3J 18351 | 1 | Inlet Section Assy | |
| 21 | REF | 1 | Housing | NSS |
| 22 | REF | 1 | O-ring | NSS,KA |
| 23 | REF | 1 | O-ring | NSS,KA |
| 24 | 3J 16989 | 1 | Filter | |
| 25 | 3J 16988 | 1 | Spring | |
| 26 | 3J 16987 | 1 | Fitting Assy | |
| 27 | REF | 1 | O-ring | NSS,KA |
| 28 | REF | 1 | O-ring | NSS,KA |
| 29 | 3J 16986 | 1 | Cap | |
| 30 | REF | 2 | O-ring | NSS,KA |
| 31 | REF | 2 | O-ring | NSS,KA |
| 32 | REF | 1 | Plug, Expander | NSS |

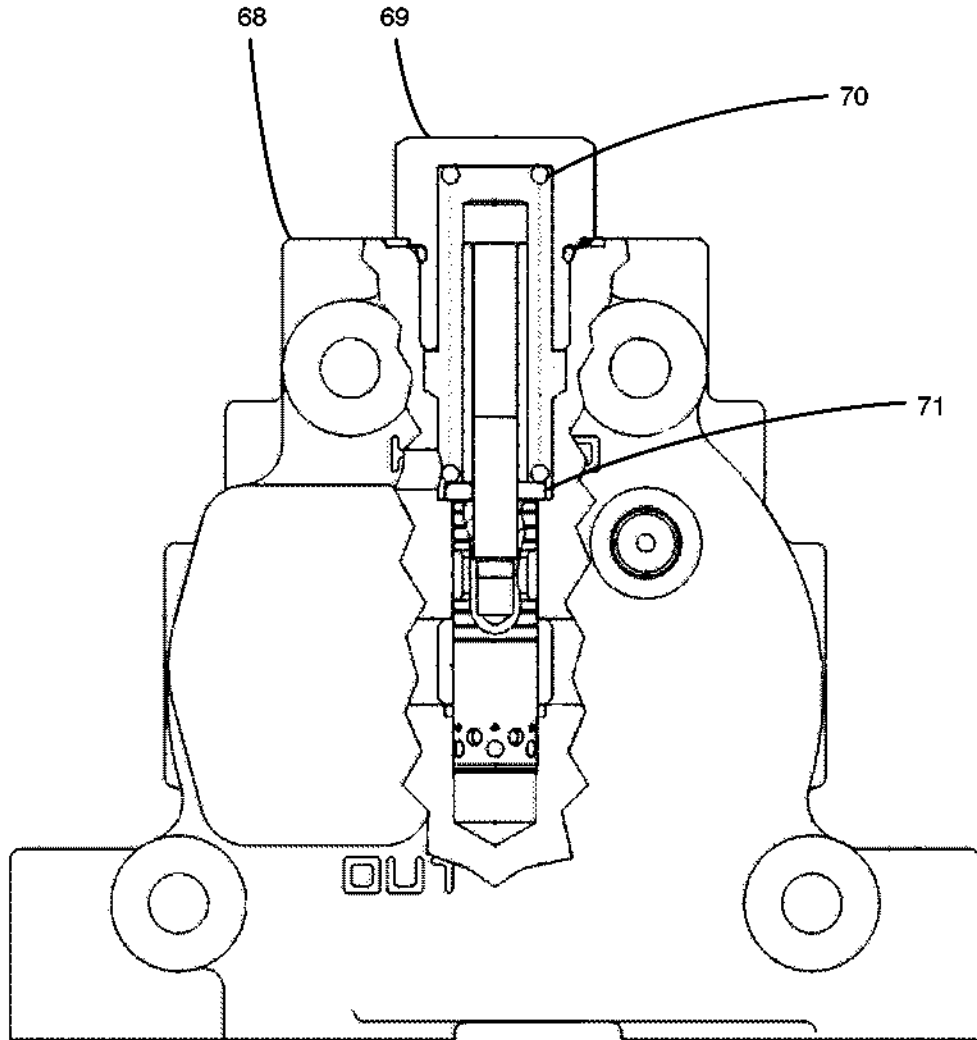
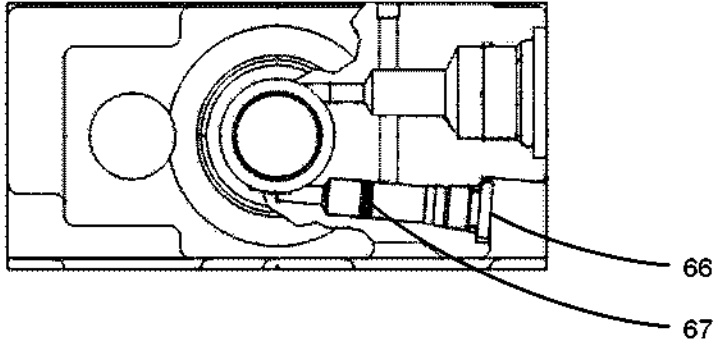
Parts List

1009

Boom Hoist/Telescope Control Valve Assy



Boom Hoist/Telescope Control Valve Assy

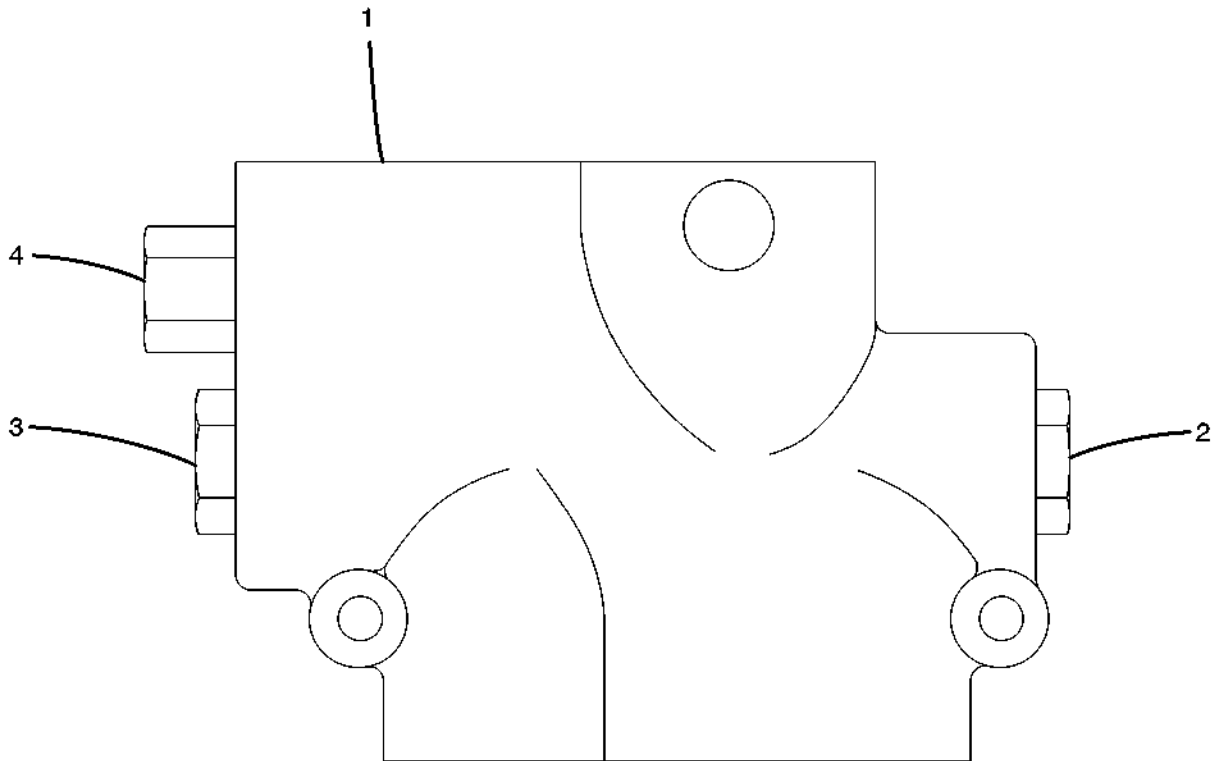


Parts List

1009

| Boom Hoist/Telescope Control Valve Assy | | | | |
|---|----------|-----|--------------------------------------|---------|
| REF | PART NO. | QTY | DESCRIPTION | REMARKS |
| 33 | 3J 18352 | 2 | Spool Section Assy | |
| | 3J 17642 | 1 | Plug Assy | |
| | REF | 1 | O-ring | NSS,KA |
| | 3J 16519 | 1 | Orifice, Setscrew | |
| 34 | REF | 2 | O-ring | NSS,KA |
| 35 | REF | 1 | O-ring | NSS,KA |
| 36 | REF | 1 | O-ring | NSS,KA |
| 37 | REF | 2 | O-ring | NSS,KA |
| 38 | REF | 1 | Housing | NSS |
| 39 | 3J 17002 | 1 | Spring | |
| 40 | 3J 17643 | 1 | Plug Assy | |
| 41 | REF | 1 | O-ring | NSS,KA |
| 42 | REF | 1 | Spool, Compensator | NSS |
| 43 | REF | 1 | Spool | NSS |
| 44 | 3J 17645 | 2 | Solenoid Assy | |
| | 3J 16998 | 1 | Spacer | |
| 45 | 3J 16997 | 1 | Spring | |
| 46 | REF | 2 | O-ring | NSS,KA |
| 47 | REF | 1 | Cap | NSS |
| 48 | 3J 17653 | 1 | Bracket | |
| 49 | 3J 16992 | 2 | Capscrew | |
| 50 | 3J 17651 | 2 | Capscrew | |
| 51 | 3J 17649 | 1 | Capscrew | |
| 52 | REF | 2 | O-ring | NSS,KA |
| 53 | REF | 1 | O-ring | NSS,KA |
| 54 | REF | 1 | O-ring | NSS,KA |
| 55 | REF | 1 | Housing, Spool | NSS |
| 56 | 3J 16998 | 1 | Spacer | |
| 57 | 3J 16997 | 1 | Spring | |
| 58 | REF | 1 | O-ring | NSS,KA |
| 59 | 3J 16994 | 1 | Cap | |
| 60 | 3J 16992 | 2 | Capscrew | |
| 61 | 3J 17653 | 1 | Bracket | |
| 62 | 3J 17651 | 2 | Capscrew | |
| 63 | 3J 17650 | 1 | Cartridge | |
| 64 | 3J 18358 | 1 | Kit, Seal | |
| | 3J 17649 | 1 | Capscrew | |
| 65 | REF | 2 | O-ring | NSS,KA |
| 66 | 3J 18353 | 1 | Outlet Section Assy | |
| | 3J 17642 | 1 | Plug Assy | |
| 67 | REF | 1 | O-ring | NSS,KA |
| | REF | 1 | Valve, Check | NSS |
| 68 | REF | 1 | Housing | NSS |
| 69 | 3J 17657 | 1 | Plug Assy | |
| 70 | REF | 1 | O-ring | NSS,KA |
| | 3J 17006 | 1 | Spring | |
| 71 | REF | 1 | Spool Assy | NSS |
| | 3J 18357 | 1 | Kit, Main Seal – All Items Marked KA | |

Priority Valve Assy

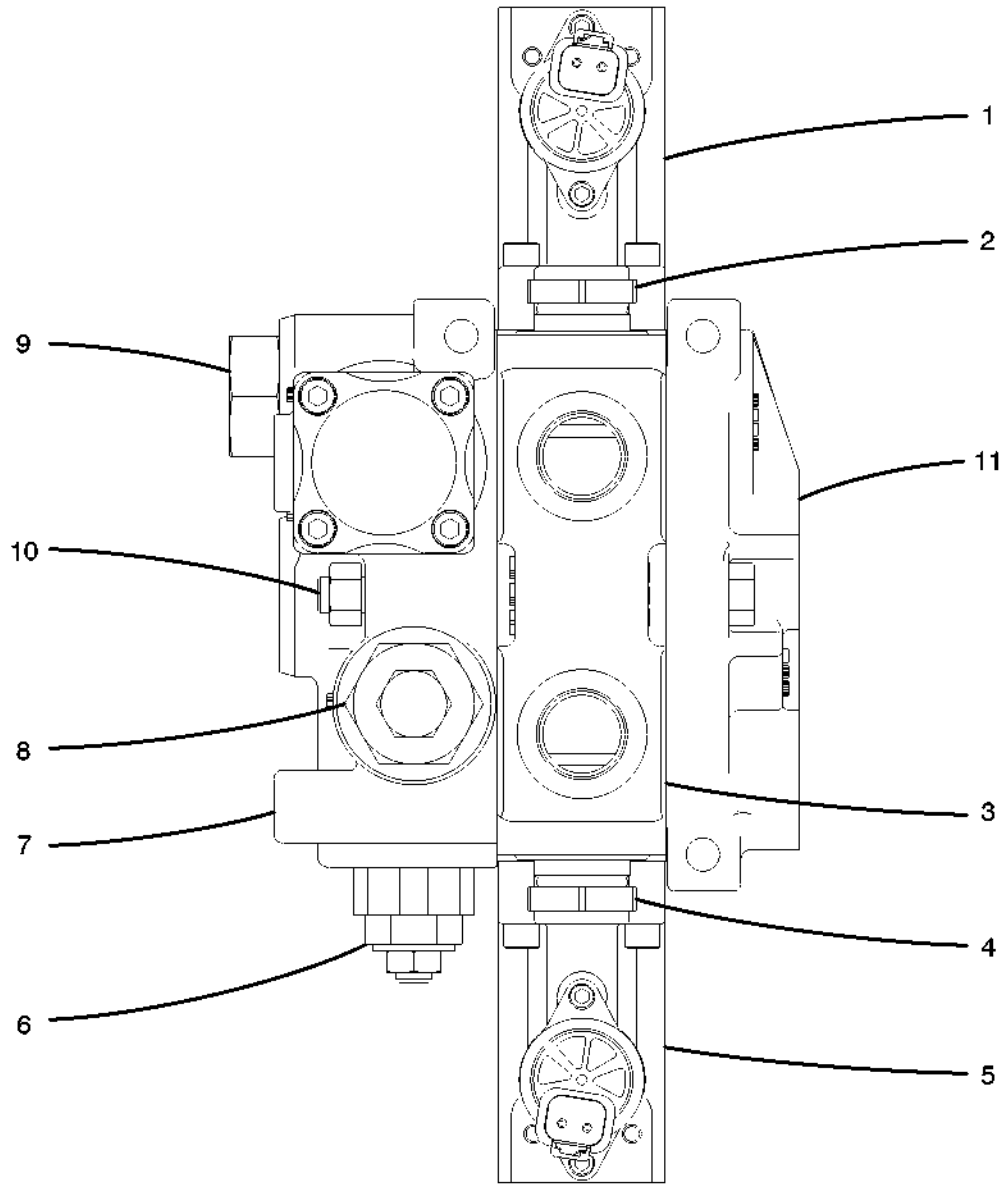


Parts List

1007

| Priority Valve Assy | | | | |
|---------------------|----------|-----|---------------------|---------|
| REF | PART NO. | QTY | DESCRIPTION | REMARKS |
| 1 | R3J0163 | 1 | Priority Valve Assy | |
| 1 | 3J 9185 | 1 | Housing | |
| 2 | 3J 6663 | 1 | Plug | |
| | 3J 12009 | 1 | Setscrew | |
| 3 | 3J 11506 | 1 | Plug | |
| | 3A 21156 | 1 | O-ring | |
| 4 | 3J 18059 | 1 | Valve, Relief | |
| | 3J 18020 | 1 | Spool | |
| | 3J 12010 | 1 | Spring | |
| | 3J 12008 | 1 | Setscrew | |

Swing Control Valve Assy

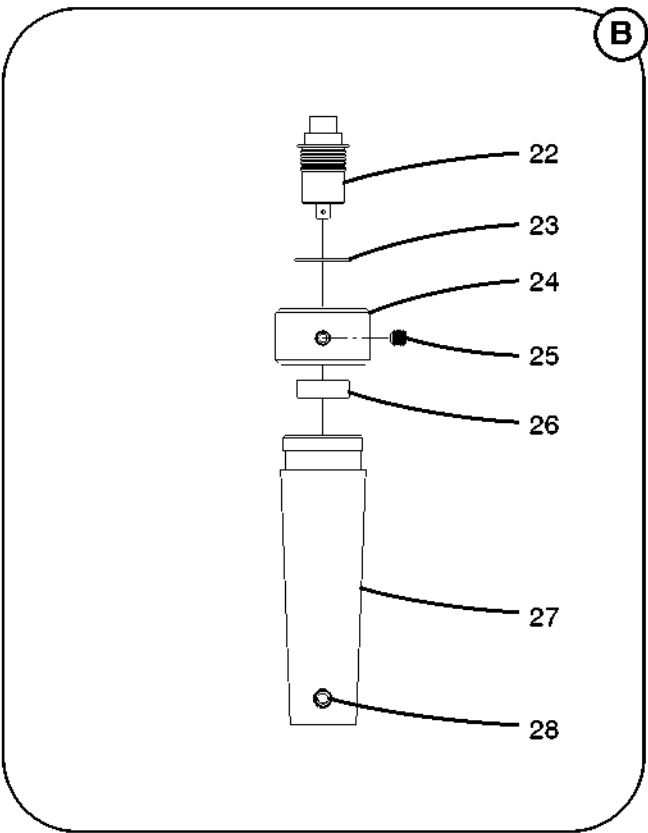
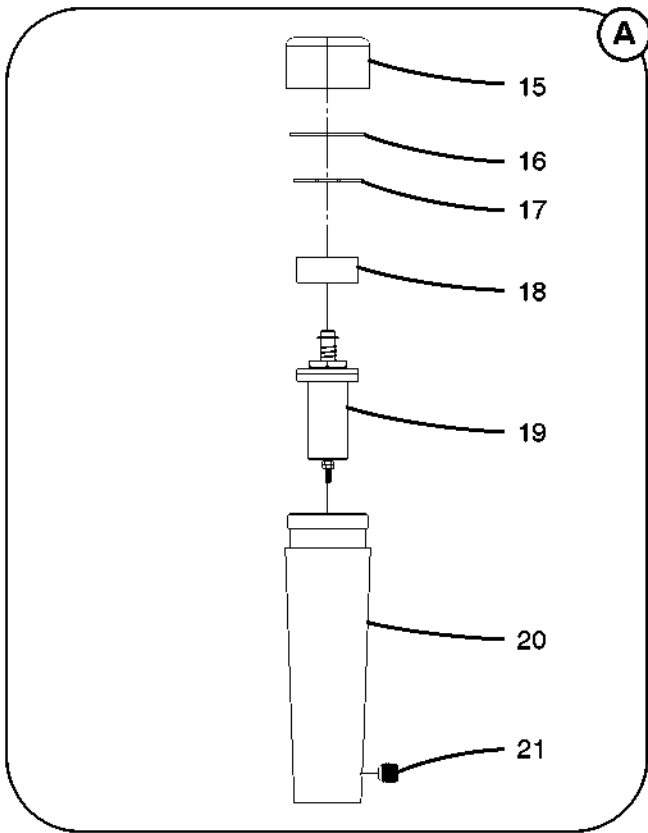
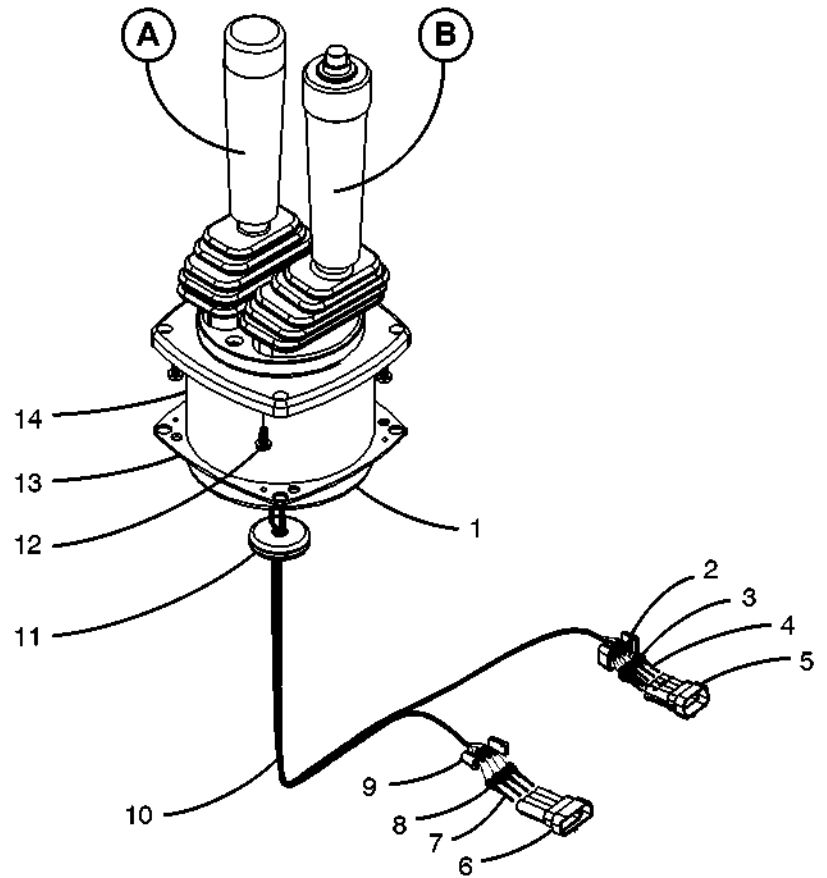


Parts List

0409

| Swing Control Valve Assy | | | | |
|--------------------------|----------|-----|-------------------------------|---------|
| REF | PART NO. | QTY | DESCRIPTION | REMARKS |
| | R3J0164 | 1 | Swing Control Valve Assy | |
| 1 | 3J 17931 | 1 | Work Section Assy | |
| | 3J 17929 | 1 | Positioner | |
| | 3J 17925 | 2 | Seal, Positioner Pilot | |
| 2 | 3J 17926 | 1 | Seal, Spool Face | |
| | 3J 17737 | 1 | Valve, Check | |
| | 3J 17922 | 1 | Kit, Seal | |
| 3 | REF | 1 | Section, Work | NSS |
| 4 | 3J 17737 | 1 | Valve, Check | |
| | 3J 17922 | 1 | Kit, Seal | |
| 5 | 3J 17930 | 1 | Positioner | |
| | 3J 17925 | 2 | Seal, Positioner Pilot | |
| | 3J 17926 | 1 | Seal, Spool Face | |
| | 3J 17932 | 1 | Inlet Cover Assy | |
| 6 | 3J 17732 | 1 | Valve, Relief | |
| | 3J 17923 | 1 | Kit, Seal | |
| 7 | REF | 1 | Cover, Inlet | NSS |
| 8 | 3J 17927 | 1 | Plug | |
| 9 | 3J 17730 | 1 | Plug | |
| 10 | 3J 17725 | 1 | Stud Assy | |
| 11 | 3J 17928 | 1 | Outlet Cover Assy | |
| | 3J 17933 | 1 | Kit, Section Seal – Not Shown | |
| | 3J 18390 | 1 | Spool – Not Shown | |

RH Single Axis Controller Assy

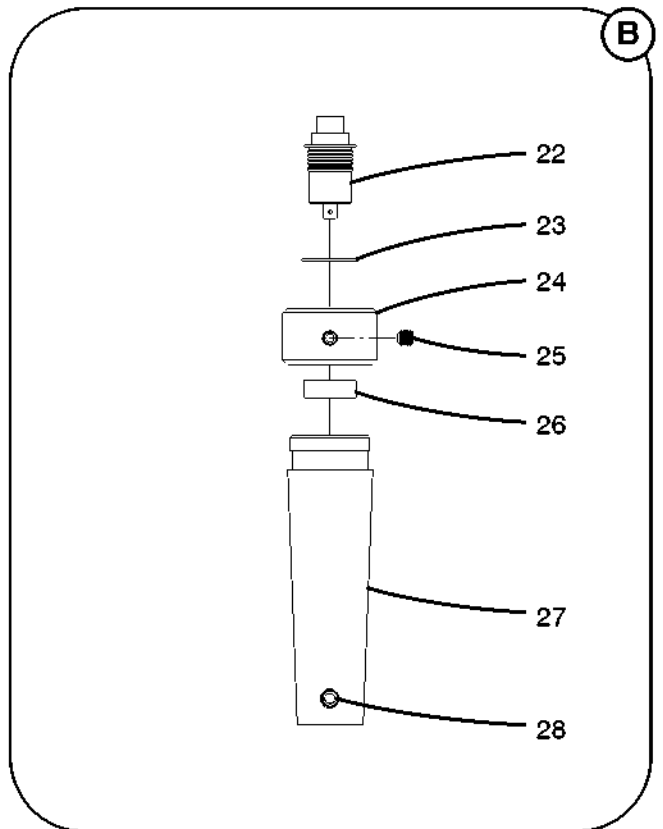
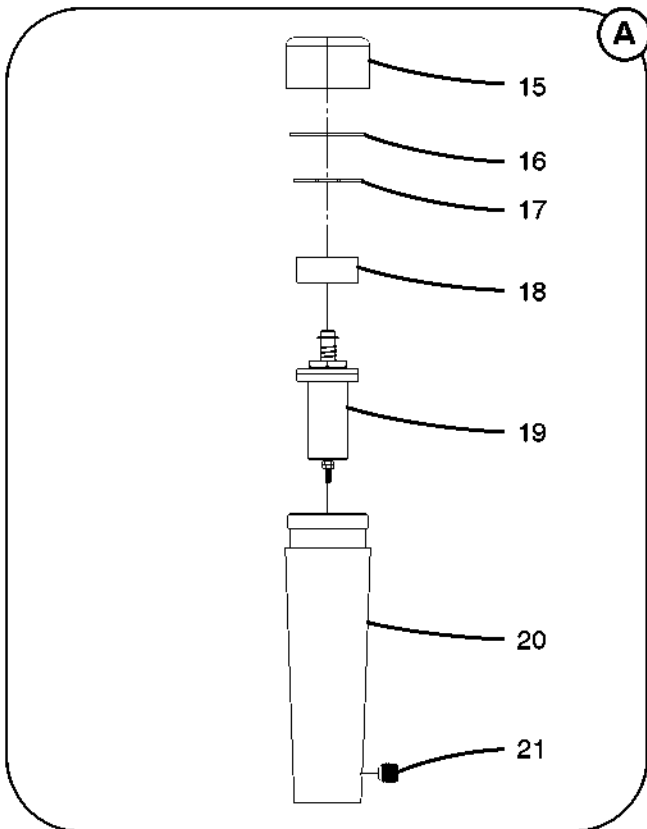
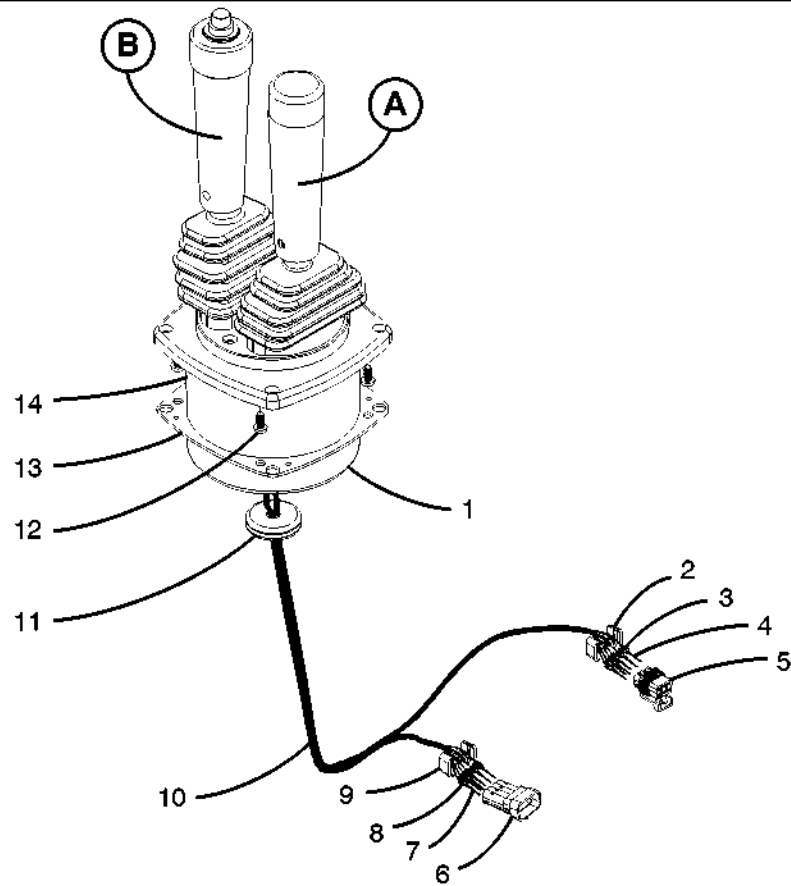


Parts List

0311

| RH Single Axis Controller Assy | | | | |
|--------------------------------|----------|-----|---|---------|
| REF | PART NO. | QTY | DESCRIPTION | REMARKS |
| | R3N0012 | 1 | RH Single Axis Controller Assy | |
| 1 | 3N 1418 | 1 | Head Assy | |
| 2 | 3N 1407 | 1 | Lock | |
| 3 | 3N 1417 | 6 | Seal | |
| 4 | 3N 1405 | 6 | Pin | |
| 5 | 3N 1408 | 1 | Connector | |
| 6 | 3N 1402 | 1 | Connector | |
| 7 | 3N 1430 | 4 | Pin | |
| 8 | 3N 1404 | 4 | Seal | |
| 9 | 3N 1403 | 1 | Lock | |
| 10 | 3N 1406 | 1 | Sleeve | |
| 11 | 3N 1394 | 1 | Grommet, Rubber | |
| 12 | 3N 1392 | 4 | Screw | |
| 13 | 3N 1393 | 1 | Gasket | |
| 14 | 3N 1391 | 1 | Enclosure | |
| | 3N 1419 | 1 | Handle Assy | |
| 15 | 3N 1422 | 1 | Cap | |
| 16 | 3N 1426 | 1 | Spacer | |
| 17 | 3N 1425 | 1 | Ring, Retaining | |
| 18 | 3N 1421 | 1 | Spacer | |
| 19 | 3N 1424 | 1 | Wiring Assy | |
| 20 | 3N 1420 | 1 | Handle | |
| 21 | 3N 1423 | 1 | Setscrew | |
| | 3N 1427 | 1 | Handle Assy | |
| 22 | 3N 1053 | 1 | Switch | |
| | 3N 1429 | 1 | Wiring Assy | |
| 23 | 3N 1054 | 1 | O-ring | |
| 24 | 3N 1428 | 1 | Cap | |
| 25 | 3N 1389 | 1 | Setscrew | |
| 26 | 3N 1055 | 1 | Nut | |
| 27 | 3N 1420 | 1 | Handle | |
| 28 | 3N 1423 | 1 | Setscrew | |
| | 3N 1401 | 2 | Screw – M5 x 8mm – Not Shown | |
| | 3N 1061 | 3 | Screw – M4 x 10mm – Not Shown | |
| | 3N 1431 | 1 | Screw – 4mm x 16mm – Not Shown | |
| | 3N 1395 | 1 | Clamp – 1/4" Black Nylon Loop – Not Shown | |
| | 3N 1432 | 3 | Ty-wrap – Not Shown | |

LH Single Axis Controller Assy

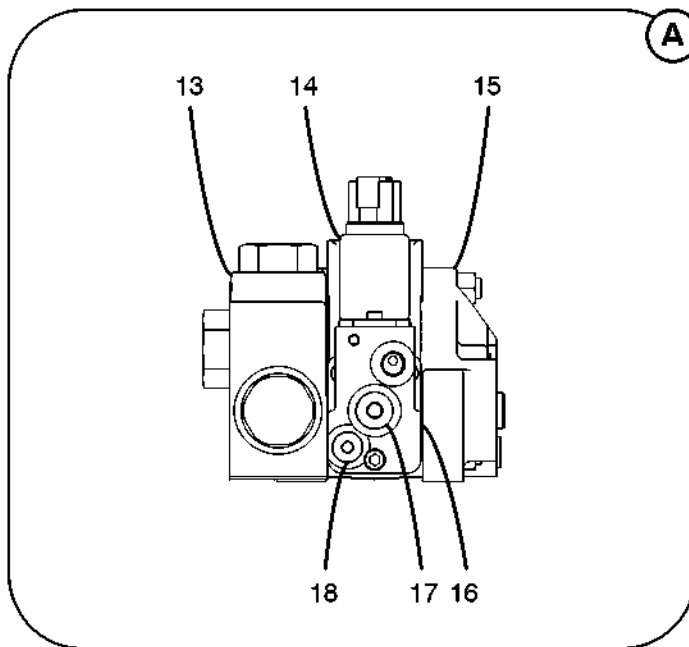
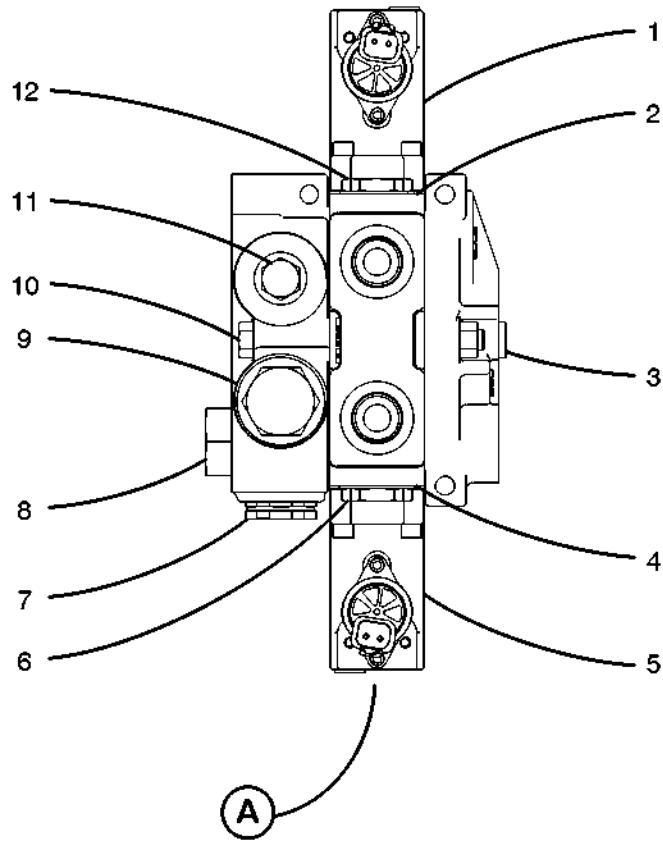


Parts List

0311

| LH Single Axis Controller Assy | | | | |
|--------------------------------|----------|-----|---|---------|
| REF | PART NO. | QTY | DESCRIPTION | REMARKS |
| | R3N0013 | 1 | LH Single Axis Controller Assy | |
| 1 | 3N 1418 | 1 | Head Assy | |
| 2 | 3N 1413 | 1 | Lock | |
| 3 | 3N 1416 | 5 | Seal | |
| 4 | 3N 1435 | 5 | Pin | |
| 5 | 3N 1414 | 1 | Connector | |
| 6 | 3N 1408 | 1 | Connector | |
| 7 | 3N 1405 | 6 | Pin | |
| 8 | 3N 1417 | 6 | Seal | |
| 9 | 3N 1407 | 1 | Lock | |
| 10 | 3N 1406 | 1 | Sleeve | |
| 11 | 3N 1394 | 1 | Grommet, Rubber | |
| 12 | 3N 1392 | 4 | Screw | |
| 13 | 3N 1393 | 1 | Gasket | |
| 14 | 3N 1391 | 1 | Enclosure | |
| | 3N 1419 | 1 | Handle Assy | |
| 15 | 3N 1422 | 1 | Cap | |
| 16 | 3N 1426 | 1 | Spacer | |
| 17 | 3N 1425 | 1 | Ring, Retaining | |
| 18 | 3N 1421 | 1 | Spacer | |
| 19 | 3N 1424 | 1 | Wiring Assy | |
| 20 | 3N 1420 | 1 | Handle | |
| 21 | 3N 1423 | 1 | Setscrew | |
| | 3N 1433 | 1 | Handle Assy | |
| 22 | 3N 1067 | 1 | Switch | |
| | 3N 1434 | 1 | Wiring Assy | |
| 23 | 3N 1054 | 1 | O-ring | |
| 24 | 3N 1428 | 1 | Cap | |
| 25 | 3N 1389 | 1 | Setscrew | |
| 26 | 3N 1055 | 1 | Nut | |
| 27 | 3N 1420 | 1 | Handle | |
| 28 | 3N 1423 | 1 | Setscrew | |
| | 3N 1401 | 2 | Screw – M5 x 8mm – Not Shown | |
| | 3N 1061 | 3 | Screw – M4 x 10mm – Not Shown | |
| | 3N 1431 | 1 | Screw – 4mm x 16mm – Not Shown | |
| | 3N 1395 | 1 | Clamp – 1/4" Black Nylon Loop – Not Shown | |
| | 3N 1432 | 3 | Ty-wrap – Not Shown | |

Hydraulic Offset Fly Control Valve Assy

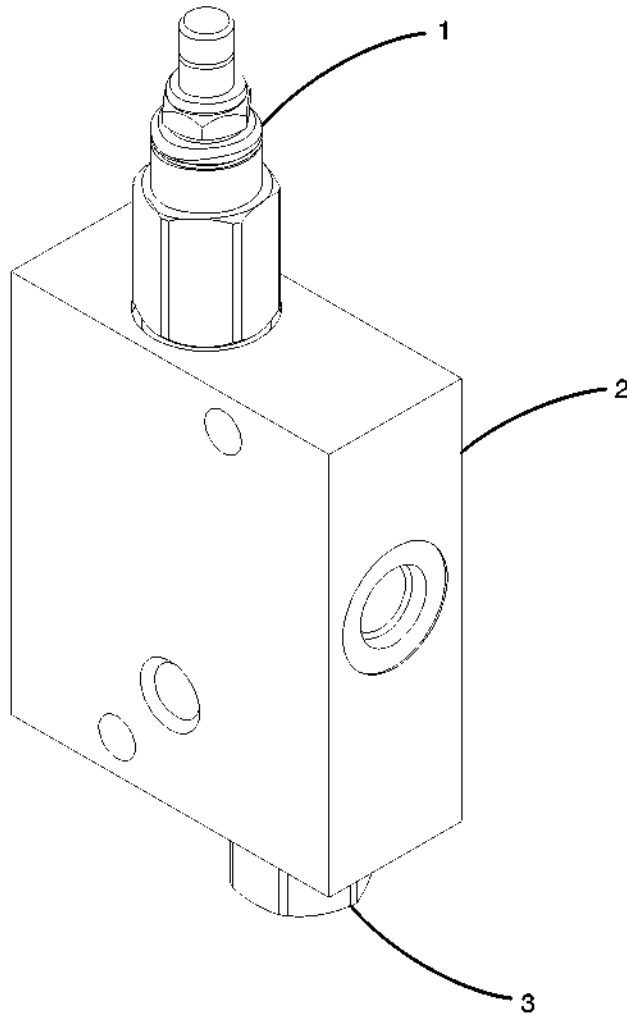


Parts List

1008

| Hydraulic Offset Fly Control Valve Assy | | | | |
|---|----------|-----|---|---------|
| REF | PART NO. | QTY | DESCRIPTION | REMARKS |
| | J8J0257 | 1 | Hydraulic Offset Fly Control Valve Assy | |
| 1 | 3J 18276 | 1 | Positioner | |
| 2 | 3J 17926 | 1 | Seal, Spool Face | |
| 3 | 3J 18275 | 1 | Plug | |
| 4 | 3J 17926 | 1 | Seal, Spool Face | |
| 5 | 3J 18277 | 1 | Positioner | |
| 6 | 3J 18004 | 1 | Plug, Load Check | |
| 7 | 3J 18279 | 1 | Plug | |
| 8 | 3J 13620 | 1 | Plug | |
| 9 | 3J 13620 | 1 | Plug | |
| 10 | 3J 17725 | 1 | Stud Assy | |
| 11 | 3J 18274 | 1 | Plug | |
| 12 | 3J 18005 | 1 | Plug, Load Check | |
| 13 | 3J 18282 | 1 | Inlet Cover Assy | |
| 14 | 3J 18281 | 1 | Work Section Assy | |
| 15 | 3J 18280 | 1 | Outlet Cover Assy | |
| 16 | 3J 18278 | 1 | Kit, Section Seal | |
| | 3J 16755 | 10 | Seal | |
| 17 | 3J 17275 | 2 | Plug | |
| 18 | 3J 18275 | 2 | Plug | |

Pressure Reducing Valve Assy

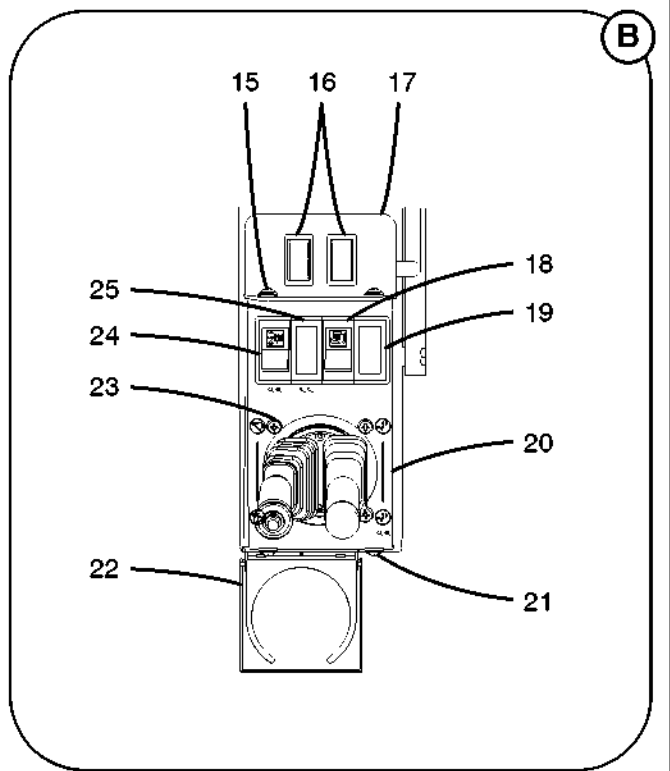
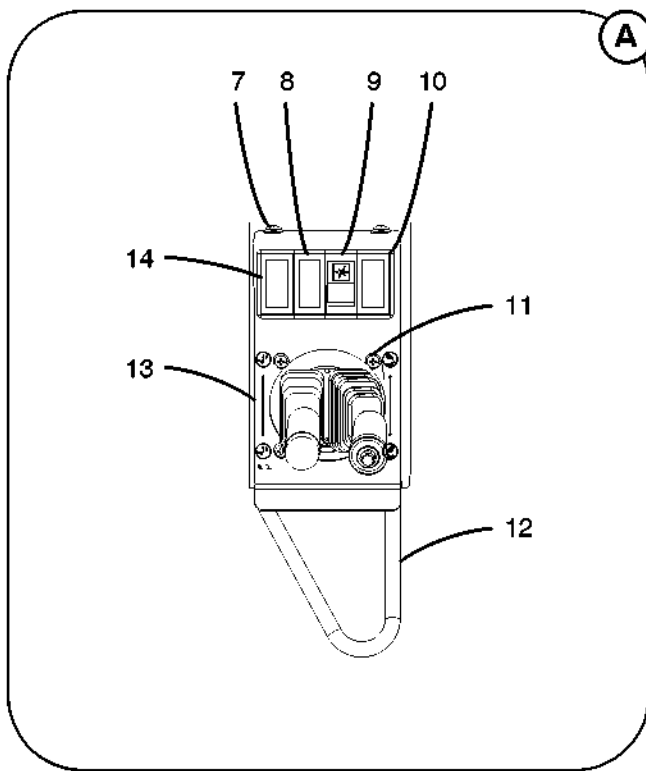
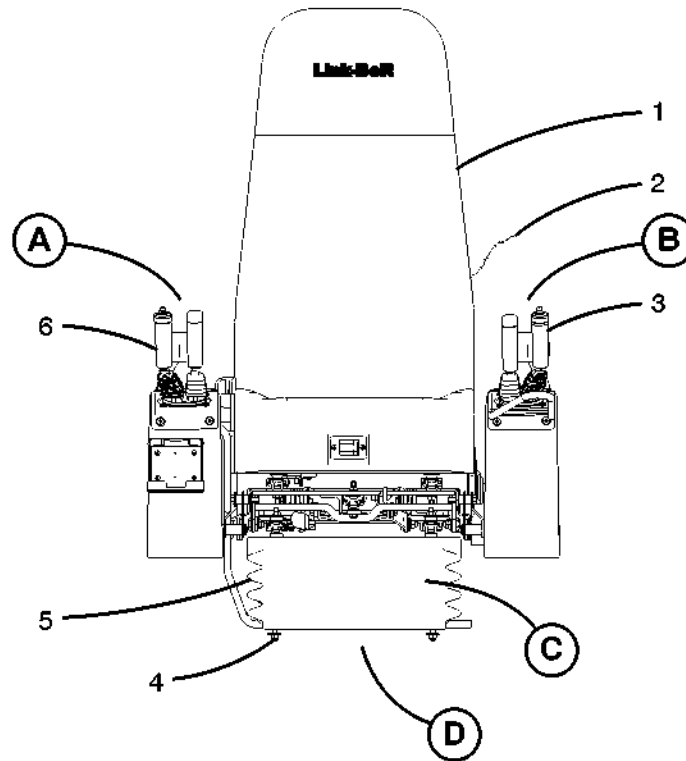


Parts List

0109

| Pressure Reducing Valve Assy | | | | |
|------------------------------|----------|-----|------------------------------|---------|
| REF | PART NO. | QTY | DESCRIPTION | REMARKS |
| 1 | J8J0449 | 1 | Pressure Reducing Valve Assy | NSS |
| | 3J 18341 | 1 | Cartridge | |
| | 3J 11689 | 1 | Kit, Seal | |
| 2 | REF | 1 | Block, Manifold | |
| 3 | 3J 18342 | 1 | Cartridge | |
| | 3J 11690 | 1 | Kit, Seal | |

Seat & Single Axis Controls

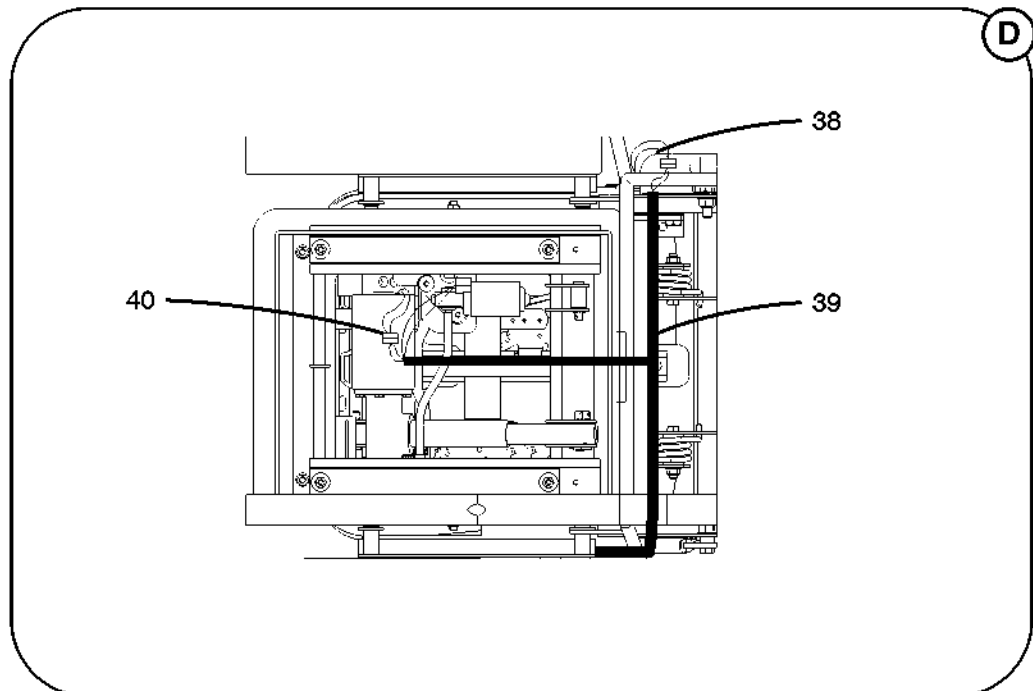
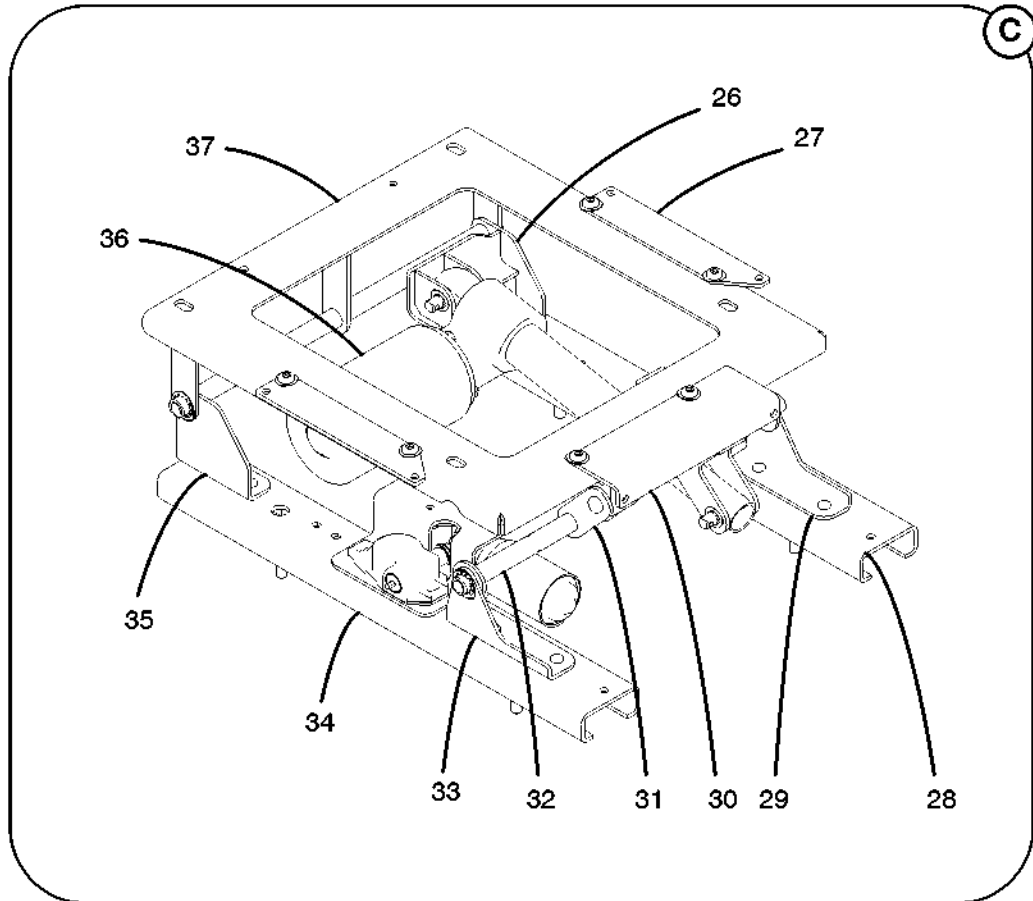


Parts List

1009

| Seat & Single Axis Controls | | | | |
|-----------------------------|-----------|-----|--|---------|
| REF | PART NO. | QTY | DESCRIPTION | REMARKS |
| 1 | REF | 1 | Seat Assy – See Keysheet 03–002 | |
| 2 | 1P 1413 | 1 | Chain, Ball | |
| | F7N0085 | 1 | Sleeve, Coupling | |
| 3 | R3N0013 | 1 | Single Axis Controller Assy – See Keysheet 07–008–518.00 | |
| 4 | 128003002 | 4 | Washer | |
| | 127004002 | 4 | Locknut | |
| 5 | R3N0110 | 1 | Bellows, Seat | |
| | R3N0073 | 8 | Rivet | |
| 6 | R3N0012 | 1 | Single Axis Controller Assy – See Keysheet 07–008–517.00 | |
| 7 | 1X 5314 | 2 | Screw | |
| 8 | 28A5061 | 1 | Housing, Switch Intermediate | |
| | 28A5060 | 1 | Cover, Switch | |
| 9 | 28A5061 | 1 | Housing, Switch Intermediate | |
| | 28A5051 | 1 | Switch | |
| | J7R0141 | 1 | Lens, Fine Metering | |
| 10 | 28A5062 | 1 | Housing, Switch End | |
| | 28A5060 | 1 | Cover, Switch | |
| 11 | 1X 8344 | 4 | Screw | |
| | 1X 4638 | 4 | Locknut | |
| 12 | J7N0023 | 1 | Gate | |
| | 1X 6044 | 2 | Screw | |
| 13 | R3N0029 | 1 | Panel, LH Single Axis | |
| 14 | 28A5062 | 1 | Housing, Switch End | |
| | 28A5060 | 1 | Cover, Switch | |
| 15 | 1X 5314 | 2 | Screw | |
| 16 | F7R0072 | 2 | Switch | |
| 17 | R3N0045 | 1 | Panel, Seat Switch | |
| 18 | 28A5061 | 1 | Housing, Switch Intermediate | |
| | D6R0424 | 1 | Switch | |
| | N3R0057 | 1 | Lens, DRI | |
| 19 | 28A5062 | 1 | Housing, Switch End | |
| | 28A5060 | 1 | Cover, Switch | |
| 20 | R3N0030 | 1 | Panel, RH Single Axis | |
| 21 | 1X 5314 | 2 | Screw | |
| 22 | E1N0222 | 1 | Holder, Cup | |
| | 1X 8111 | 4 | Screw | |
| 23 | 1X 8344 | 4 | Screw | |
| | 1X 4638 | 4 | Locknut | |
| 24 | 28A5062 | 1 | Housing, Switch End | |
| | C5A1558 | 1 | Switch | |
| | N3R0056 | 1 | Lens, Winch Control | |
| 25 | 28A5061 | 1 | Housing, Switch Intermediate | |
| | 28A5060 | 1 | Cover, Switch | |

Seat & Single Axis Controls

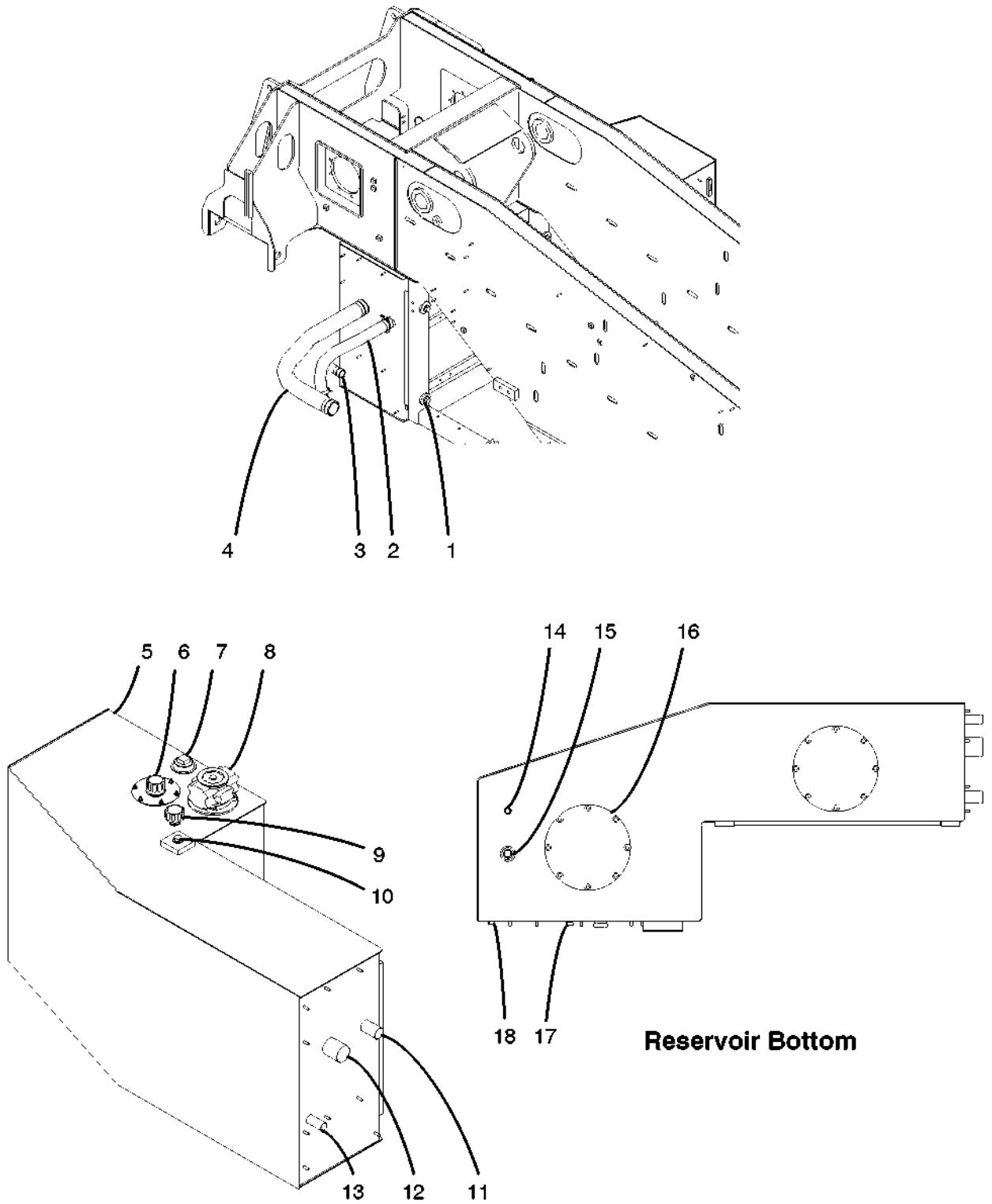


Parts List

1009

| Seat & Single Axis Controls | | | | |
|-----------------------------|-----------|-----|-------------------------|---------|
| REF | PART NO. | QTY | DESCRIPTION | REMARKS |
| | R3N0049 | 1 | Tilting Seat Base S/A | NSS |
| 26 | R3N0050 | 1 | Bracket, RH Pivot | |
| 27 | R3N0074 | 2 | Sheet | |
| 28 | R3N0068 | 1 | Slide, RH Track | |
| 29 | R3N0077 | 1 | Pivot, RH | |
| 30 | R3N0075 | 1 | Bracket | |
| 31 | R3N0056 | 1 | Bellcrank | |
| 32 | R3N0060 | 2 | Bar | |
| | R3N0061 | 4 | Pin | |
| | R3N0062 | 4 | Ring, Lock | |
| 33 | R3N0076 | 1 | Pivot, LH | |
| 34 | R3N0063 | 1 | Slide, LH Track | |
| 35 | R3N0051 | 1 | Sheet | |
| 36 | R3N0046 | 1 | Actuator, Seat Lift | |
| | R3N0061 | 2 | Pin | |
| | R3N0062 | 2 | Ring, Lock | |
| 37 | R3N0057 | 1 | Top Plate Assy | |
| 38 | 155108001 | 1 | Connector | |
| | 155140001 | 1 | Lock, 2 Way | |
| | 155106001 | 2 | Terminal | |
| | 155064005 | 2 | Seal, Cable | |
| 39 | R3R0041 | 1 | Harness, Tilt Seat Wire | |
| 40 | 155156001 | 1 | Connector | |
| | 155155001 | 1 | Lock, 2 Way | |
| | 155075003 | 2 | Terminal | |
| | 155064008 | 2 | Seal, Cable | |
| | 71J0005 | 5 | Tie, Cable – Not Shown | |

Hydraulic Reservoir

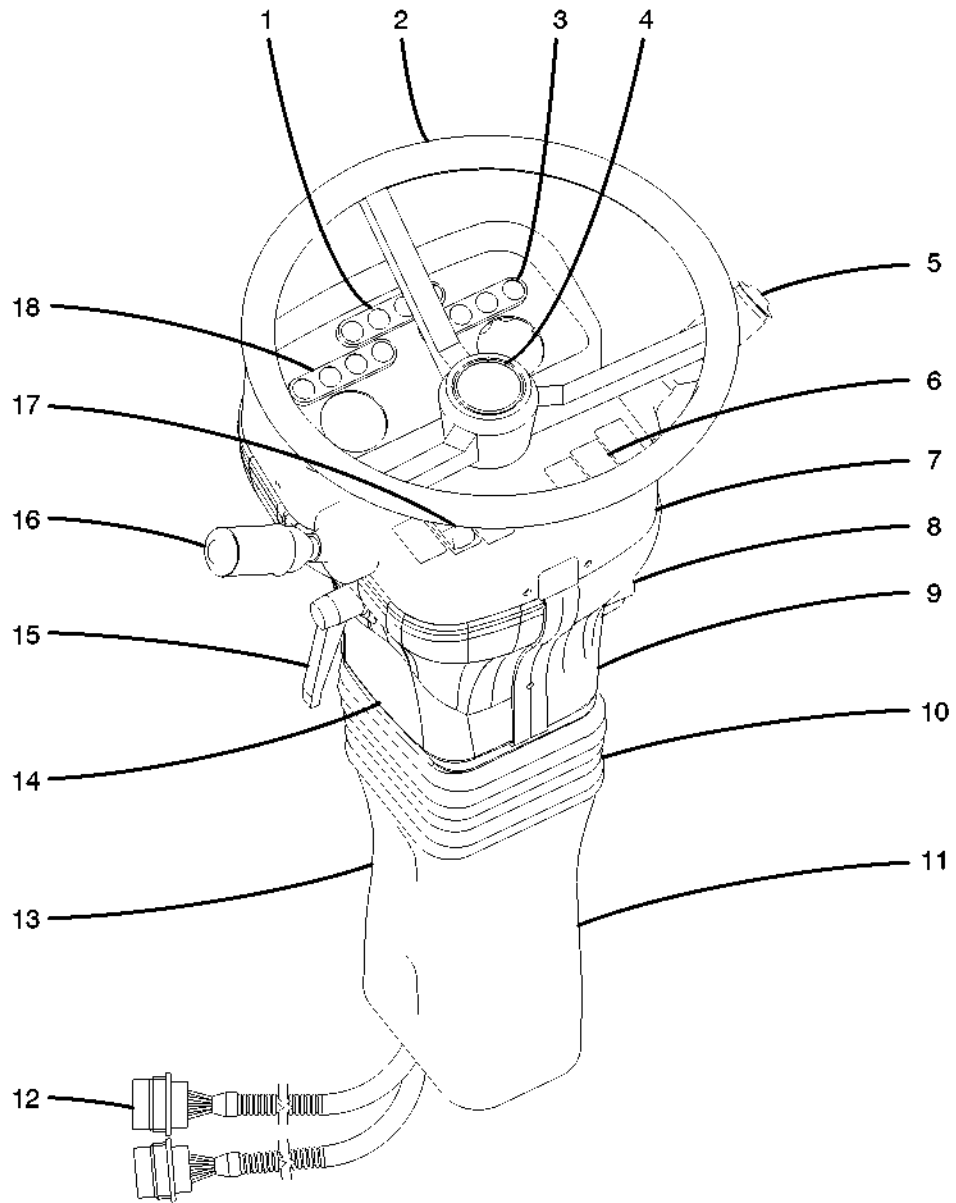


Parts List

1208

| Hydraulic Reservoir | | | | |
|---------------------|-----------|-----|-----------------------------|---------|
| REF | PART NO. | QTY | DESCRIPTION | REMARKS |
| 1 | 126009069 | 4 | Capscrew | NSS |
| | 128003009 | 8 | Washer – 1.5" OD | |
| | NR 0867 | 4 | Washer – 3.0" OD | |
| 2 | 822034005 | 1 | Hose, Suction – 2.38' | |
| | 1X 5647 | 4 | Clamp | |
| 3 | 822034004 | 1 | Hose, Suction – 1.41' | |
| | 1X 8017 | 4 | Clamp | |
| 4 | 822034012 | 1 | Hose, Suction – 4.09' | |
| | 1X 5144 | 4 | Clamp | |
| | J7J0852 | 1 | Hydraulic Reservoir S/A | |
| 5 | J7J0853 | 1 | Reservoir | |
| 6 | J7J0225 | 1 | Bayonet, Filler Breather | |
| | 69J0611 | 1 | Tank, Filler | |
| | 69J0603 | 1 | Gasket | |
| | 128003001 | 6 | Washer | |
| | 127004001 | 6 | Locknut | |
| 7 | J7J0851 | 1 | Magnet, Hydraulic Reservoir | |
| 8 | J7J0226 | 1 | Filter Assy | |
| | J7J0232 | 1 | Element, Filter | |
| | 3J 18335 | 1 | Indicator | |
| | 126009028 | 4 | Capscrew | |
| 9 | J7J0901 | 1 | Breather, Reservoir | |
| 10 | 126009092 | 1 | Capscrew | |
| | 128003009 | 1 | Washer | |
| 11 | J7J0858 | 1 | Strainer, Suction – 50 GPM | |
| 12 | J7J0856 | 1 | Strainer, Suction – 100 GPM | |
| 13 | J7J0857 | 1 | Strainer, Suction – 30 GPM | |
| 14 | 22A2567 | 1 | Plug, Bleed | |
| | 1J 2700 | 1 | O-ring | |
| 15 | GC 0160 | 1 | Plug | |
| 16 | 46J1187 | 2 | Gasket | |
| | 46J1189 | 2 | Plate | |
| | 126009013 | 16 | Capscrew | |
| | 128003004 | 16 | Washer | |
| 17 | 1X 7326 | 1 | O-ring | |
| 18 | F7J0081 | 1 | Gauge, Sight | |

Steering Column Assy

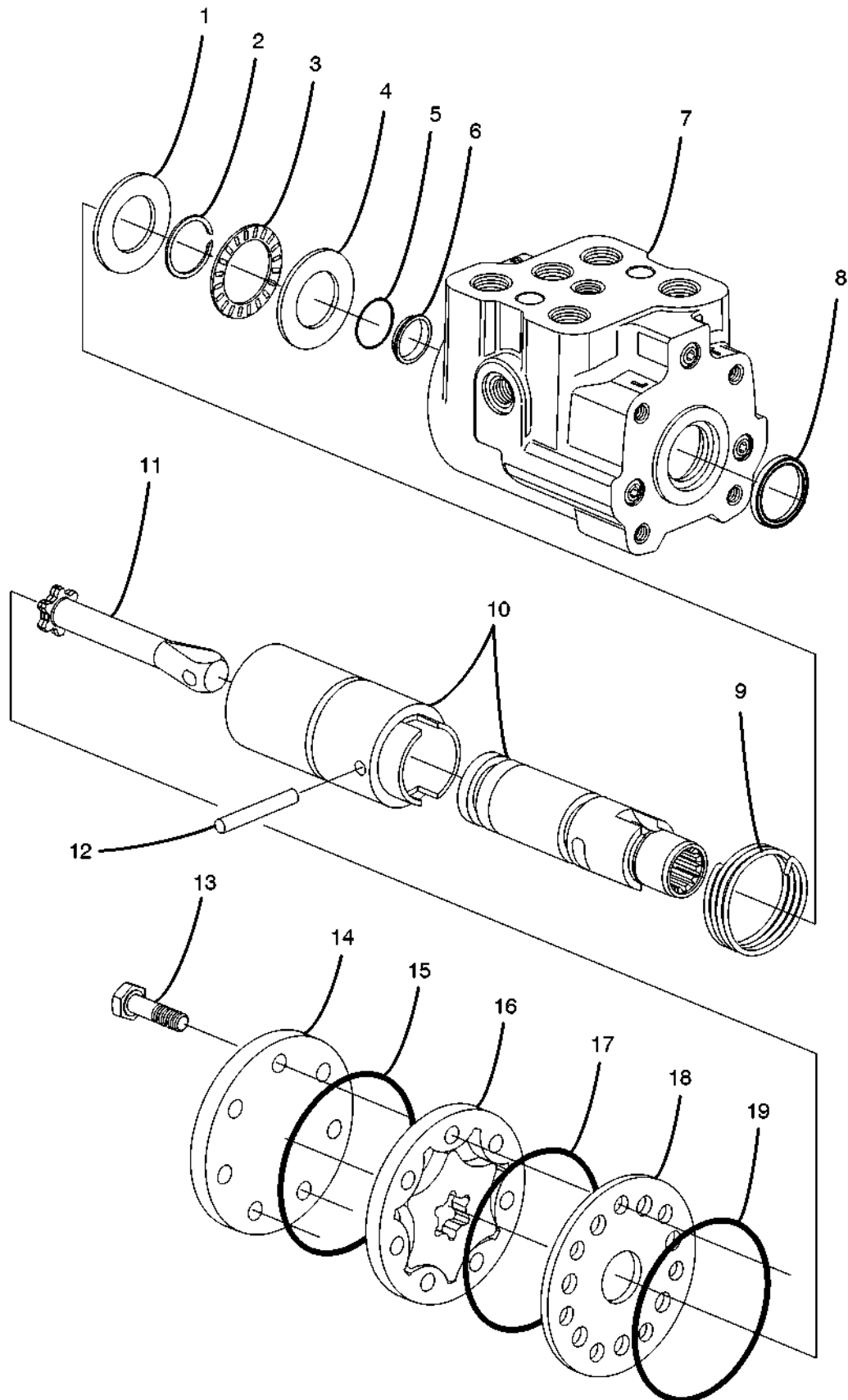


Parts List

0809

| Steering Column Assy | | | | |
|----------------------|----------|-----|------------------------------|---------|
| REF | PART NO. | QTY | DESCRIPTION | REMARKS |
| | D7N0179 | 1 | Steering Column Assy | |
| 1 | 3N 1259 | 1 | Light, Indicator | |
| 2 | 3N 1279 | 1 | Wheel, Steering | |
| 3 | 3N 1260 | 1 | Light, Indicator | |
| 4 | 3N 1280 | 1 | Cover, Hub | |
| 5 | 3N 1262 | 1 | Lever, Transmission | |
| 6 | 3N 1268 | 1 | Plug | |
| 7 | 3N 1272 | 1 | Console | |
| 8 | 3N 1277 | 1 | Plate, Cover | |
| 9 | 3N 1274 | 1 | Housing, Upper Pedestal – RH | |
| 10 | 3N 1271 | 1 | Boot | |
| 11 | 3N 1276 | 1 | Housing, Lower Pedestal – RH | |
| 12 | 3N 1278 | 1 | Harness, Wire | |
| 13 | 3N 1275 | 1 | Housing, Lower Pedestal – LH | |
| 14 | 3N 1273 | 1 | Housing, Upper Pedestal – LH | |
| 15 | 3N 1477 | 1 | Lever, Tilt/Telescope | |
| 16 | 3N 1261 | 1 | Lever, Turn Signal | |
| 17 | 3N 1263 | 1 | Switch, Travel/Park Brake | |
| | 3N 1264 | 1 | Rocker | |
| 18 | 3N 1258 | 1 | Light, Indicator | |
| | 3N 1269 | 1 | Switch, Hazard – Not Shown | |
| | 3N 1452 | 1 | Board, Circuit – Not Shown | |
| | 3N 1270 | 1 | Shaft, Main – Not Shown | |

Steering Control Valve Assy

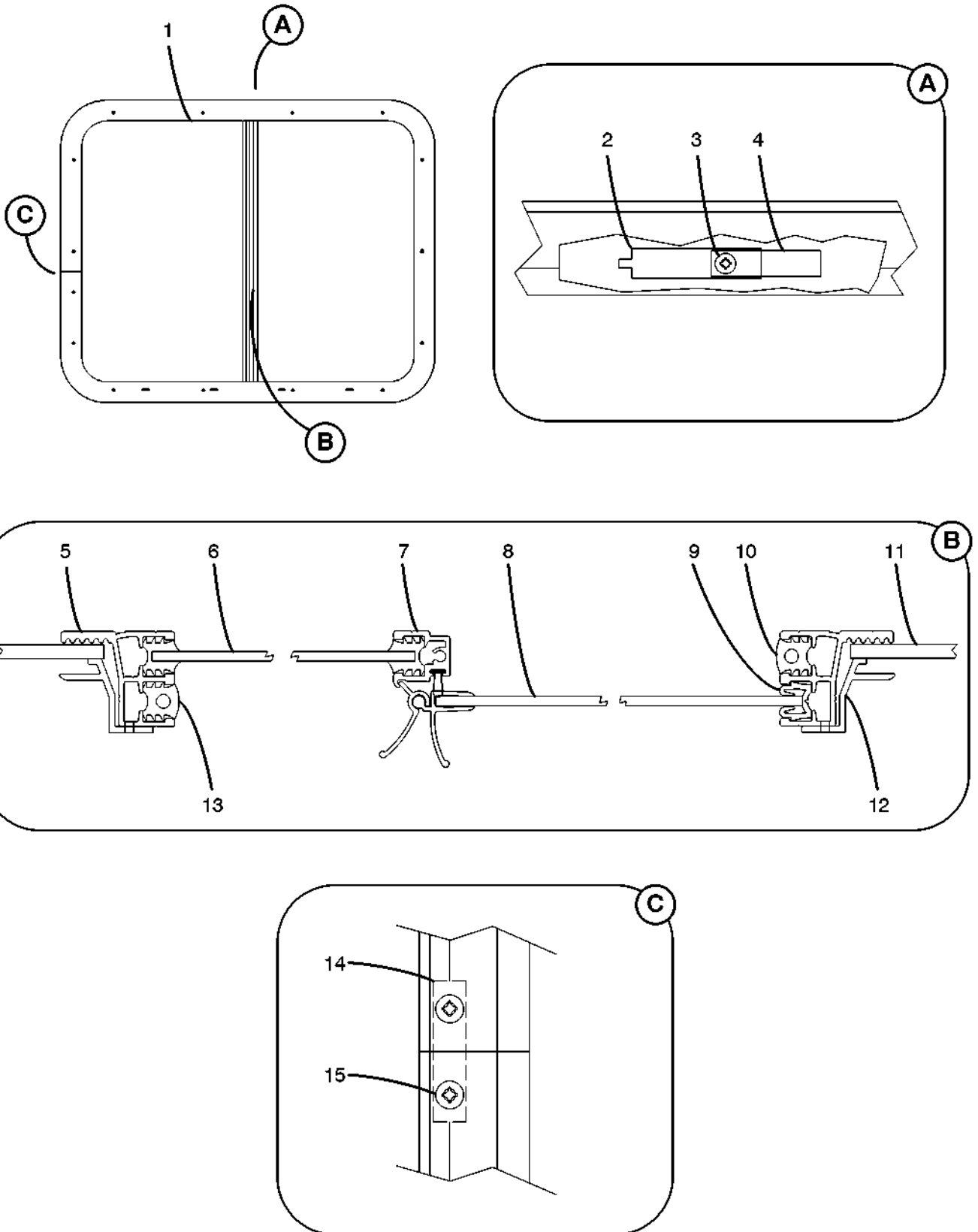


Parts List

1205

| Steering Control Valve Assy | | | | |
|-----------------------------|----------|-----|---------------------------------|---------|
| REF | PART NO. | QTY | DESCRIPTION | REMARKS |
| | J7J0960 | 1 | Steering Control Valve Assy | |
| 1 | 3J 15898 | 1 | Race, Bearing | |
| 2 | 3J 15899 | 1 | Ring, Retaining | |
| 3 | 3J 15897 | 1 | Bearing, Needle Thrust | |
| 4 | 3J 15898 | 1 | Race, Bearing | |
| 5 | 3J 17382 | 1 | O-ring | KA |
| 6 | 3J 17378 | 1 | Seal | KA |
| 7 | 3J 15893 | 1 | Housing | |
| 8 | 3J 17528 | 1 | Seal, Dust | KA |
| 9 | 3J 15896 | 1 | Spring, Centering | |
| 10 | 3J 15894 | 1 | Spool & Sleeve Assy | |
| 11 | 3J 17588 | 1 | Drive | |
| 12 | 3J 15895 | 1 | Pin | |
| 13 | 3J 15887 | 7 | Capscrew | |
| 14 | 3J 15888 | 1 | Cap, End | |
| 15 | 3J 15889 | 1 | O-ring | KA |
| 16 | 3J 15890 | 1 | Gerotor | |
| 17 | 3J 15889 | 1 | O-ring | KA |
| 18 | 3J 15891 | 1 | Plate, Spacer | |
| 19 | 3J 15889 | 1 | O-ring | KA |
| | 3J 17587 | 1 | Kit, Seal – All Items Marked KA | |

Rear Sliding Window Assy

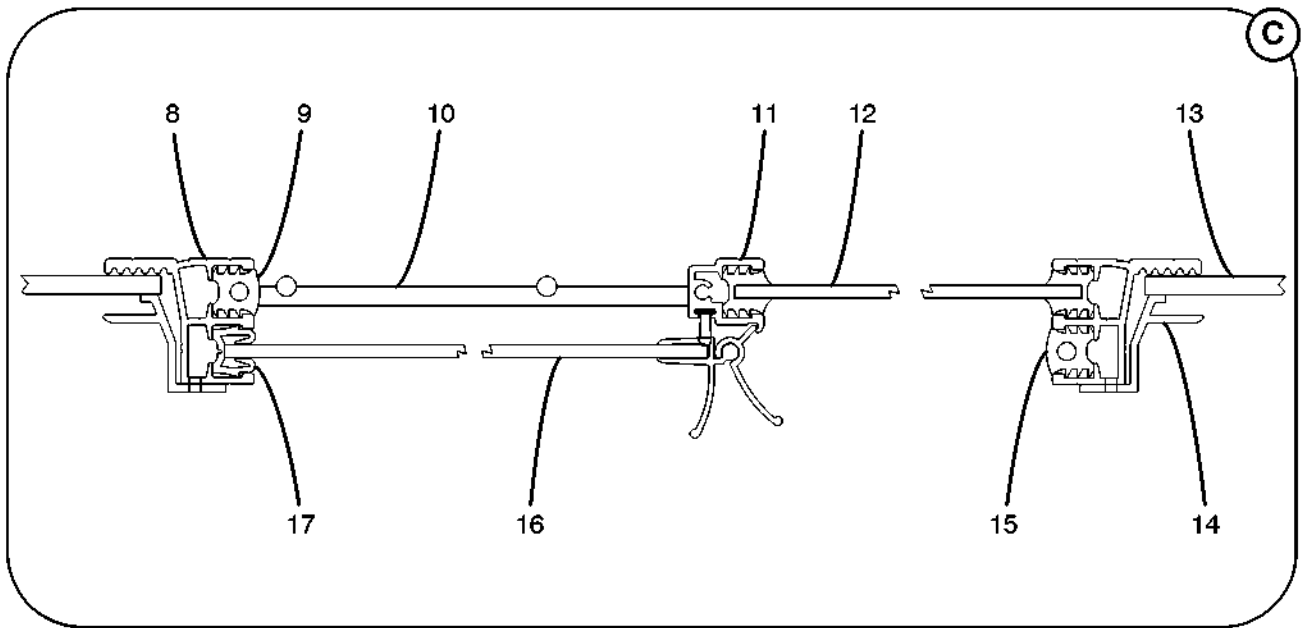
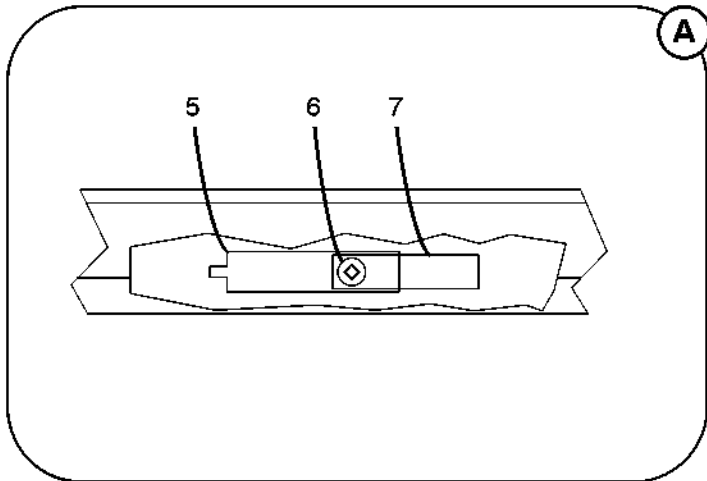
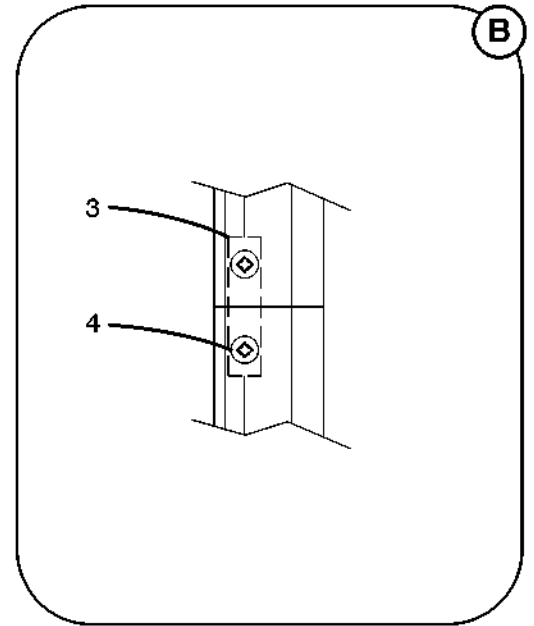
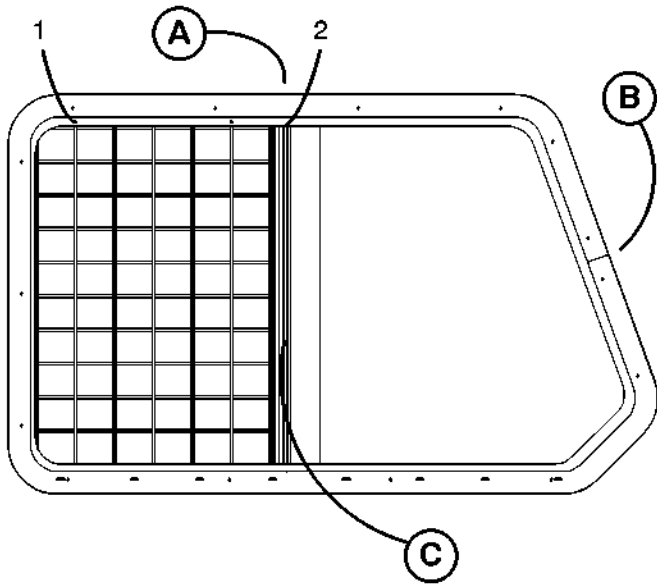


Parts List

0307

| Rear Sliding Window Assy | | | | |
|--------------------------|----------|-----|--------------------------|---------|
| REF | PART NO. | QTY | DESCRIPTION | REMARKS |
| | J7N0039 | 1 | Rear Sliding Window Assy | |
| 1 | 3N 1084 | 1 | Rubber, Flocked | |
| 2 | 3N 0682 | 2 | Retainer, Keeper | |
| 3 | 3N 1087 | 2 | Screw | |
| 4 | 3N 0681 | 2 | Nut, Tinnerman | |
| 5 | 3N 1080 | 1 | Frame, Main | |
| 6 | 3N 1077 | 1 | Glass, Stationary | |
| 7 | 3N 1079 | 1 | Rail, Keeper | |
| 8 | 3N 1078 | 1 | Sliding Glass Assy | |
| | 3N 1379 | 1 | Rail, Locking | |
| | 3N 1380 | 1 | Glass | |
| 9 | 3N 1085 | 1 | Rubber, Flocked | |
| 10 | 3N 1083 | 1 | Trim, Cover | |
| 11 | 3N 1086 | 1 | Tape, Butyl | |
| 12 | 3N 1081 | 1 | Liner, Inner | |
| 13 | 3N 1082 | 1 | Trim, Stop | |
| 14 | 3N 0314 | 1 | Nut, Tinnerman | |
| 15 | 3N 0855 | 2 | Screw | |

Right Side Sliding Window Assy

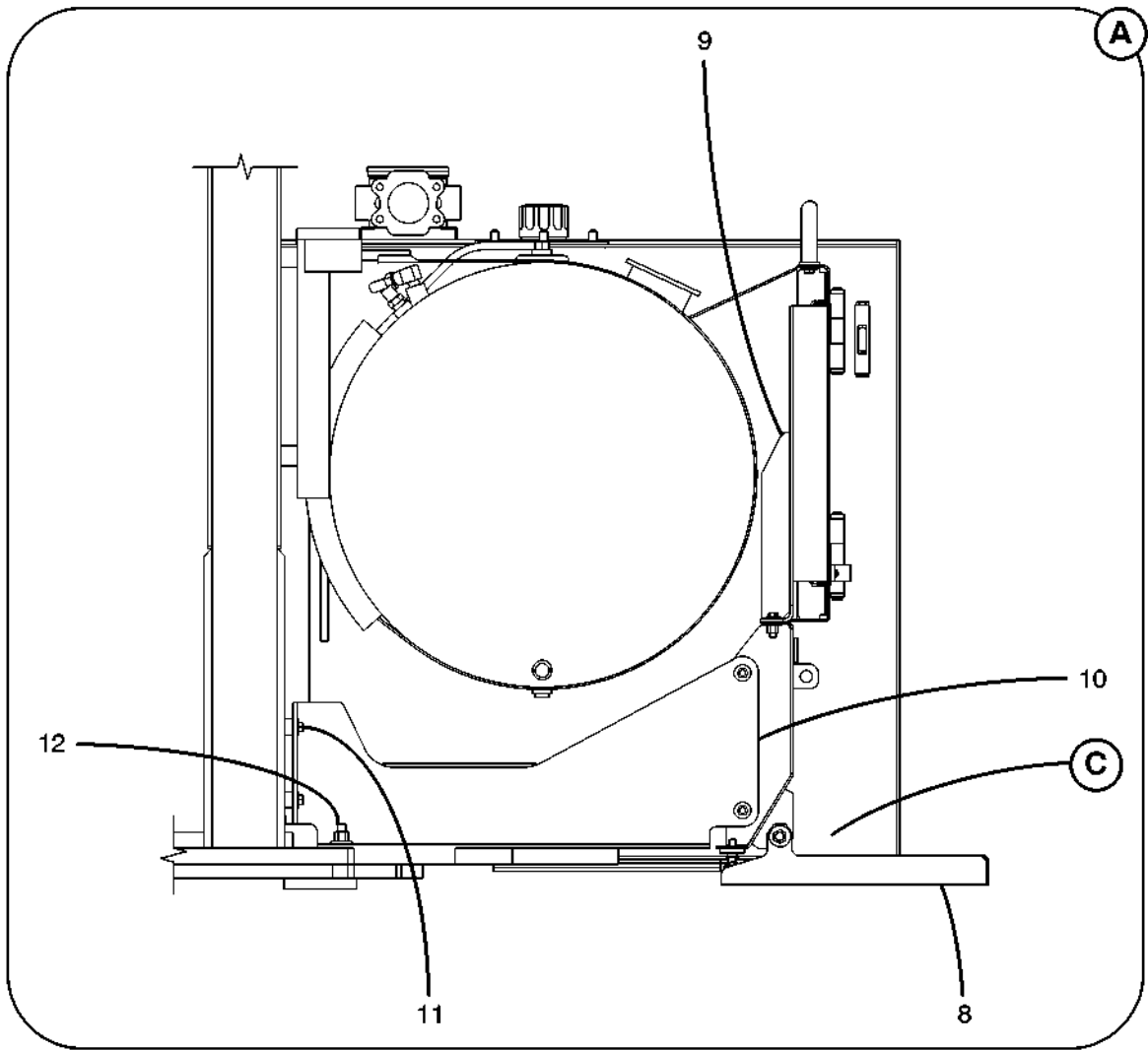
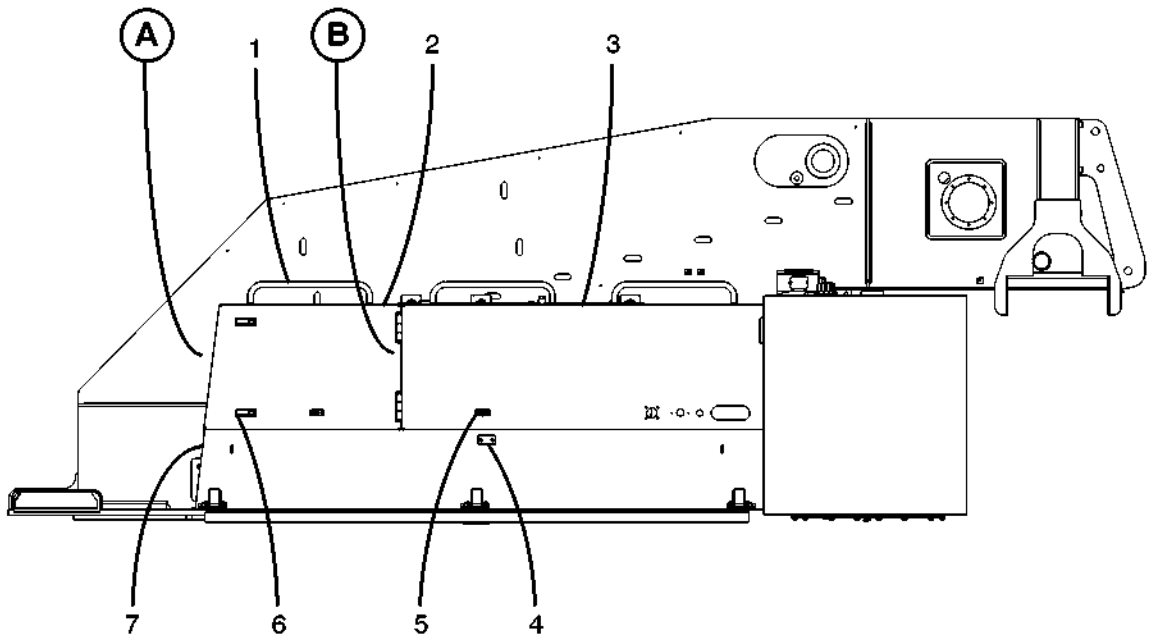


Parts List

1102

| Right Side Sliding Window Assy | | | | |
|--------------------------------|----------|-----|--------------------------------|---------|
| REF | PART NO. | QTY | DESCRIPTION | REMARKS |
| | J7N0040 | 1 | Right Side Sliding Window Assy | |
| 1 | 3N 0855 | 2 | Screw | |
| 2 | 3N 0340 | 1 | Rubber, Flocked | |
| 3 | 3N 0314 | 1 | Nut, Tinnerman | |
| 4 | 3N 0855 | 2 | Screw | |
| 5 | 3N 0681 | 2 | Retainer, Rail | |
| 6 | 3N 0991 | 2 | Screw | |
| 7 | 3N 0682 | 2 | Retainer, Keeper | |
| 8 | 3N 1090 | 1 | Frame, Main | |
| 9 | 3N 1093 | 1 | Trim, Side | |
| 10 | 3N 1095 | 1 | Guard | |
| 11 | 3N 0789 | 1 | Rail, Keeper | |
| 12 | 3N 1088 | 1 | Glass, Stationary | |
| 13 | 3N 0762 | 1 | Tape, Butyl | |
| 14 | 3N 1091 | 1 | Liner, Inner | |
| 15 | 3N 1092 | 1 | Trim, Stop | |
| 16 | 3N 1089 | 1 | Glass, Sliding | |
| 17 | 3N 1094 | 1 | Rubber, Flocked | |

Left Side Sheet Metal Installation

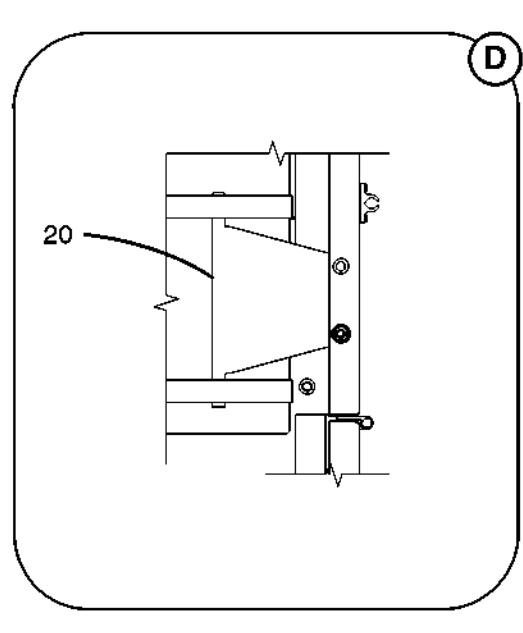
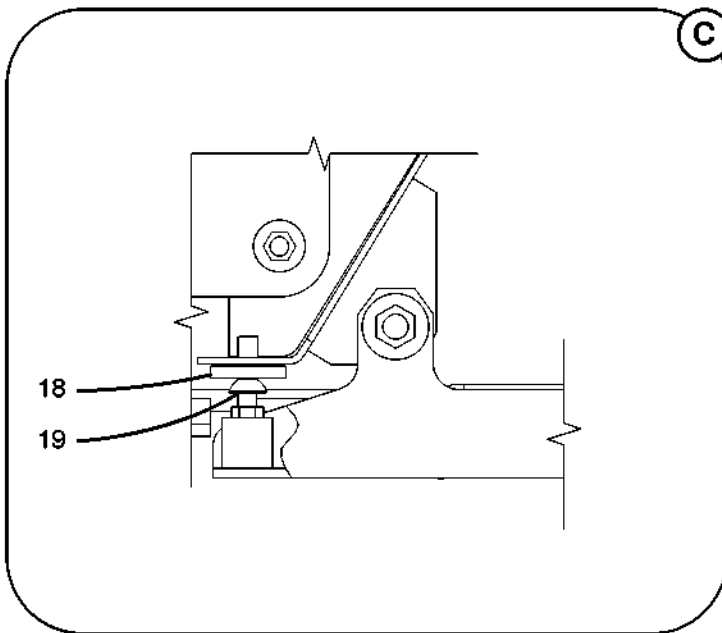
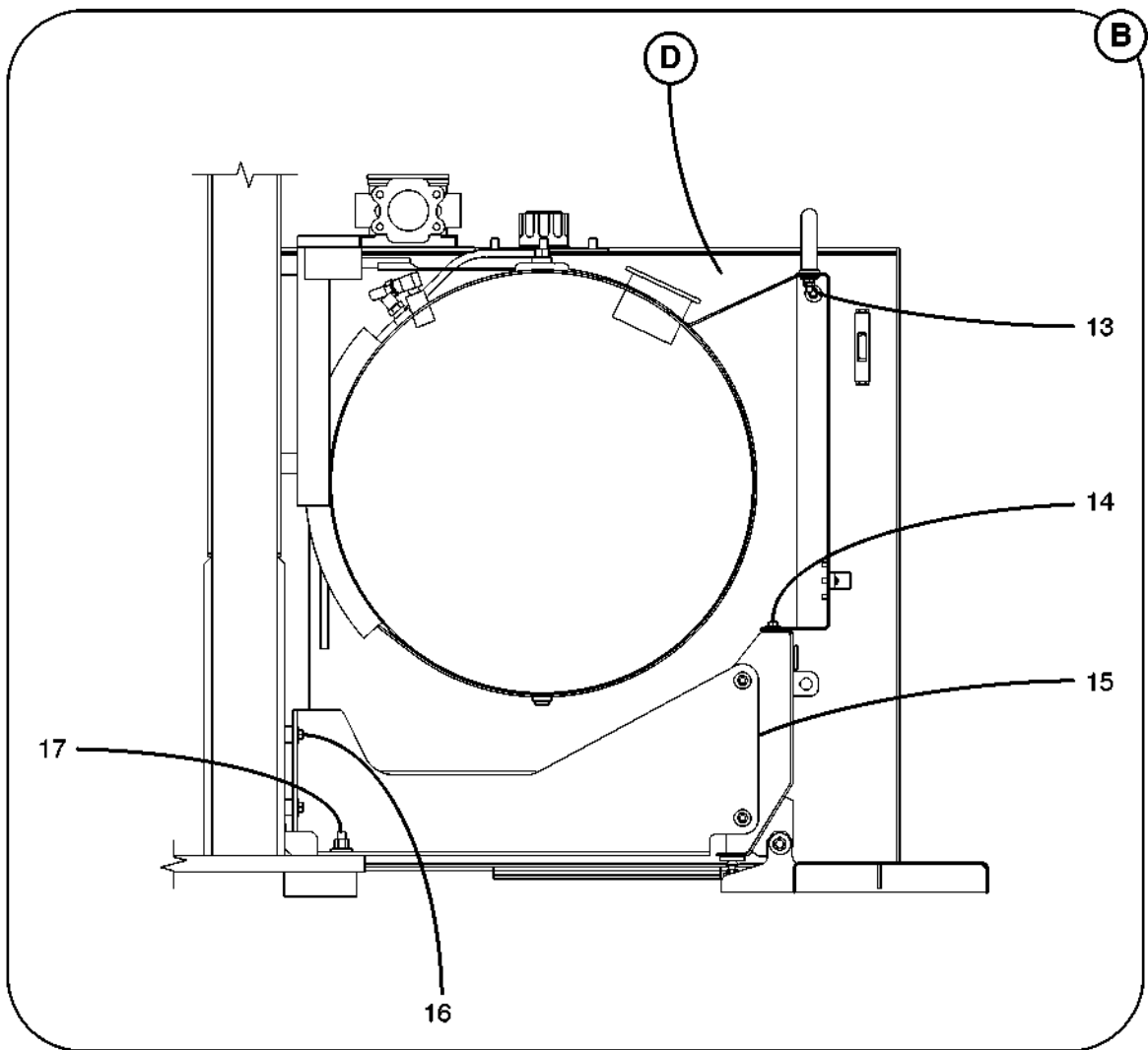


Parts List

0602

| Left Side Sheet Metal Installation | | | | |
|------------------------------------|-----------|-----|----------------------|---------|
| REF | PART NO. | QTY | DESCRIPTION | REMARKS |
| 1 | D7A0462 | 3 | Handle, Grab | NSS |
| | 126009014 | 6 | Capscrew | |
| | 128003004 | 6 | Washer | |
| 2 | J7B0134 | 1 | Upper Panel S/A | |
| | J7B0114 | 1 | Door | |
| | 126009014 | 4 | Capscrew | |
| | 128003004 | 4 | Washer | |
| 3 | J7B0119 | 1 | Panel, Upper | |
| 4 | J7B0123 | 1 | Pad, Nylon | |
| | 1X 0651 | 2 | Screw | |
| 5 | F6N0014 | 1 | Holder, Door | |
| | 1X 6712 | 4 | Screw | |
| 6 | 28A5334 | 2 | Latch | |
| | J7B0246 | 1 | Lower Panel S/A | NSS |
| 7 | J7B0226 | 1 | Panel, Lower | |
| | J7B0245 | 1 | Step | |
| 8 | 126009039 | 3 | Capscrew | |
| | 128003006 | 6 | Washer | |
| | 28A5716 | 6 | Washer, Nylon | |
| 9 | 127004005 | 3 | Locknut | |
| | J7B0118 | 1 | Post, Door | |
| | 126009014 | 2 | Capscrew | |
| | 128003004 | 4 | Washer | |
| | 127004003 | 2 | Locknut | |
| 10 | 824033014 | 1 | Weatherstrip – 16.8" | |
| | J7B0110 | 1 | Bracket | |
| | 126009014 | 2 | Capscrew | |
| | 128003004 | 4 | Washer | |
| 11 | 127004003 | 2 | Locknut | |
| | 126009012 | 2 | Capscrew | |
| | 128003004 | 2 | Washer | |
| 12 | 128003006 | 1 | Washer | |
| | 127004005 | 1 | Locknut | |

Left Side Sheet Metal Installation



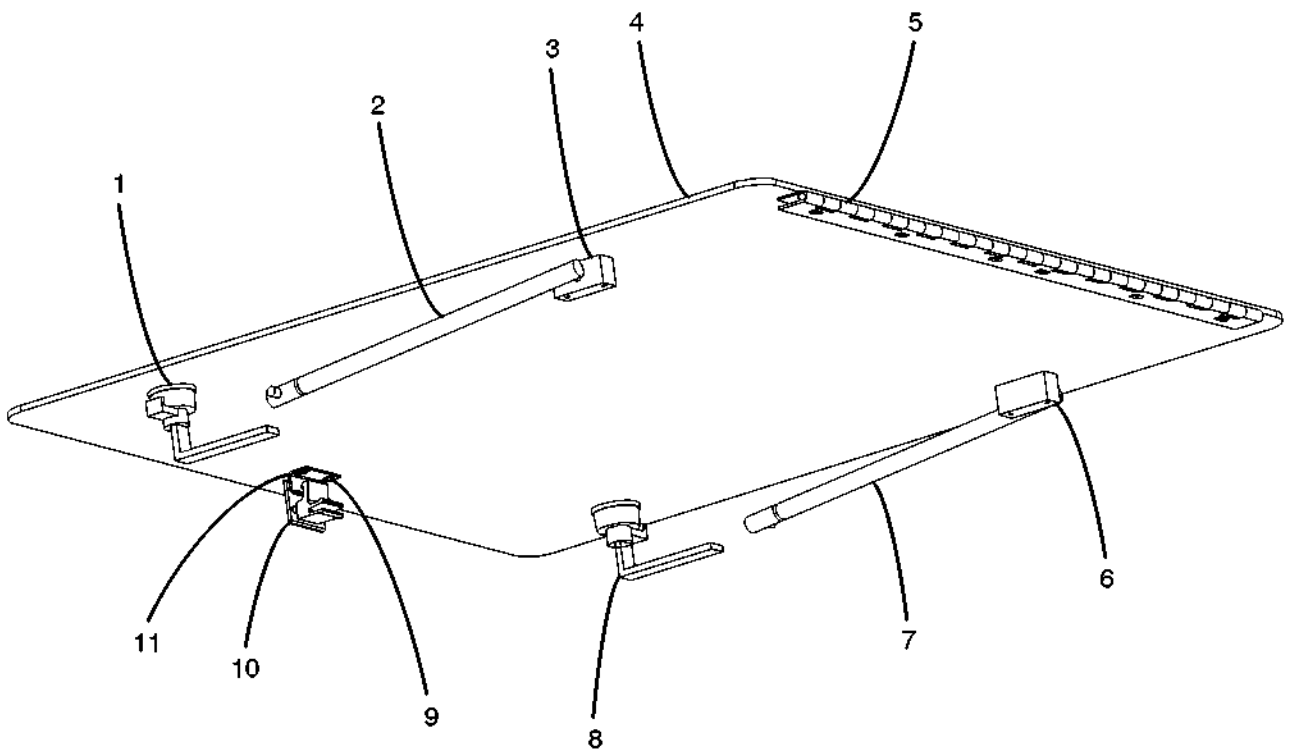
Parts List

0602

Left Side Sheet Metal Installation

| REF | PART NO. | QTY | DESCRIPTION | REMARKS |
|-----|-----------|-----|-------------|---------|
| 13 | 128003004 | 3 | Washer | |
| | 127004003 | 3 | Locknut | |
| 14 | 126009014 | 3 | Capscrew | |
| | 128003004 | 6 | Washer | |
| 15 | 127004003 | 3 | Locknut | |
| | J7B0111 | 1 | Bracket | |
| | 126009014 | 2 | Capscrew | |
| | 128003004 | 4 | Washer | |
| 16 | 127004003 | 2 | Locknut | |
| | 126009012 | 2 | Capscrew | |
| | 128003004 | 2 | Washer | |
| 17 | 128003006 | 1 | Washer | |
| | 127004005 | 1 | Locknut | |
| 18 | J7B0123 | 3 | Pad, Nylon | |
| | 1X 0651 | 6 | Screw | |
| 19 | F6A0076 | 3 | Screw | |
| | 1X 0182 | 3 | Nut, Jam | |
| 20 | J7B0112 | 1 | Brace | |
| | 126009014 | 1 | Capscrew | |
| | 128003004 | 2 | Washer | |
| | 127004003 | 1 | Locknut | |

Top Hatch Window Assy

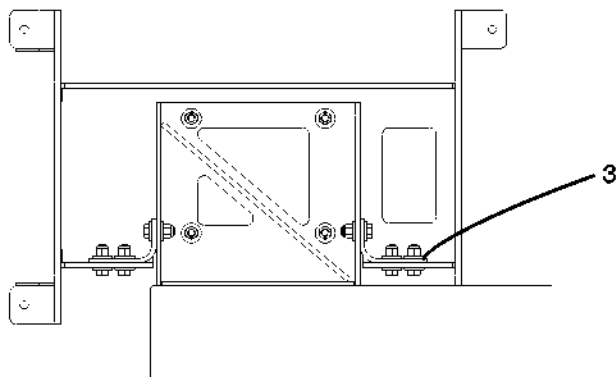
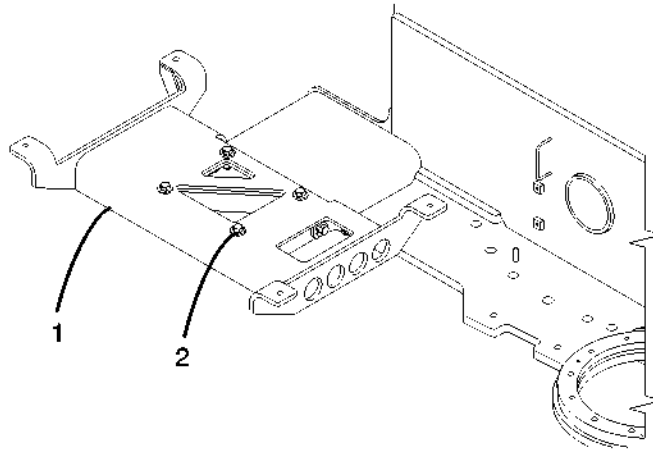


Parts List

0505

| Top Hatch Window Assy | | | | |
|-----------------------|----------|-----|----------------------------|---------|
| REF | PART NO. | QTY | DESCRIPTION | REMARKS |
| | N3N0036 | 1 | Top Hatch Window Assy | |
| 1 | 3N 0652 | 1 | Latch, LH | |
| | 3N 0642 | 1 | Latch Plate Assy | |
| 2 | 3N 1295 | 1 | Shock, Gas | |
| | 3N 1296 | 1 | Stud, Ball | |
| | 3N 0647 | 1 | Nut | |
| 3 | 3N 0658 | 1 | Plate Assy | |
| | 3N 0659 | 1 | Block Assy | |
| 4 | 3N 1287 | 1 | Glass | |
| 5 | 3N 1288 | 1 | Hinge | |
| | 3N 1289 | 1 | Urethane – AR | |
| 6 | 3N 0658 | 1 | Plate Assy | |
| | 3N 0659 | 1 | Block Assy | |
| 7 | 3N 1295 | 1 | Shock, Gas | |
| | 3N 1296 | 1 | Stud, Ball | |
| | 3N 0647 | 1 | Nut | |
| 8 | 3N 0651 | 1 | Latch, RH | |
| | 3N 0642 | 1 | Latch Plate Assy | |
| 9 | 3N 1291 | 2 | Screw | |
| | 3N 1294 | 2 | Washer | |
| | 3N 1293 | 2 | Bushing | |
| | 3N 1290 | 2 | Nut, Acorn | |
| 10 | 3N 1297 | 1 | Latch Assy | |
| 11 | 3N 1292 | 1 | Keeper, Latch | |
| | 3N 0656 | 8 | Washer, Rubber – Not Shown | |

Upper Cab Mounting

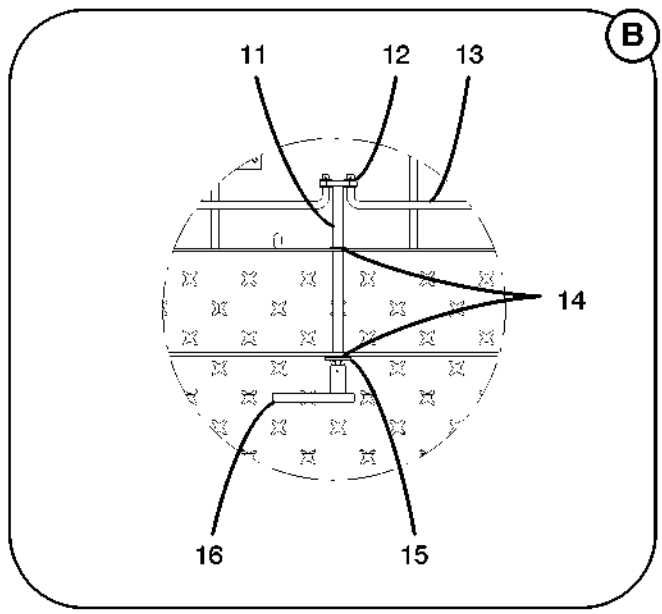
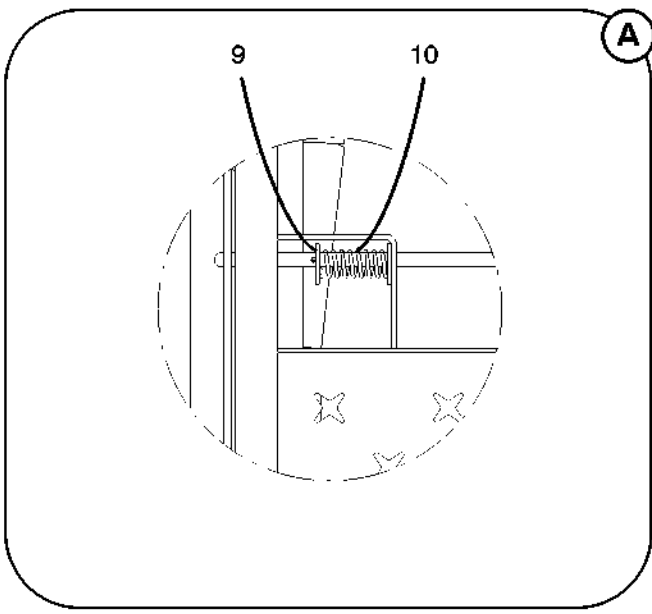
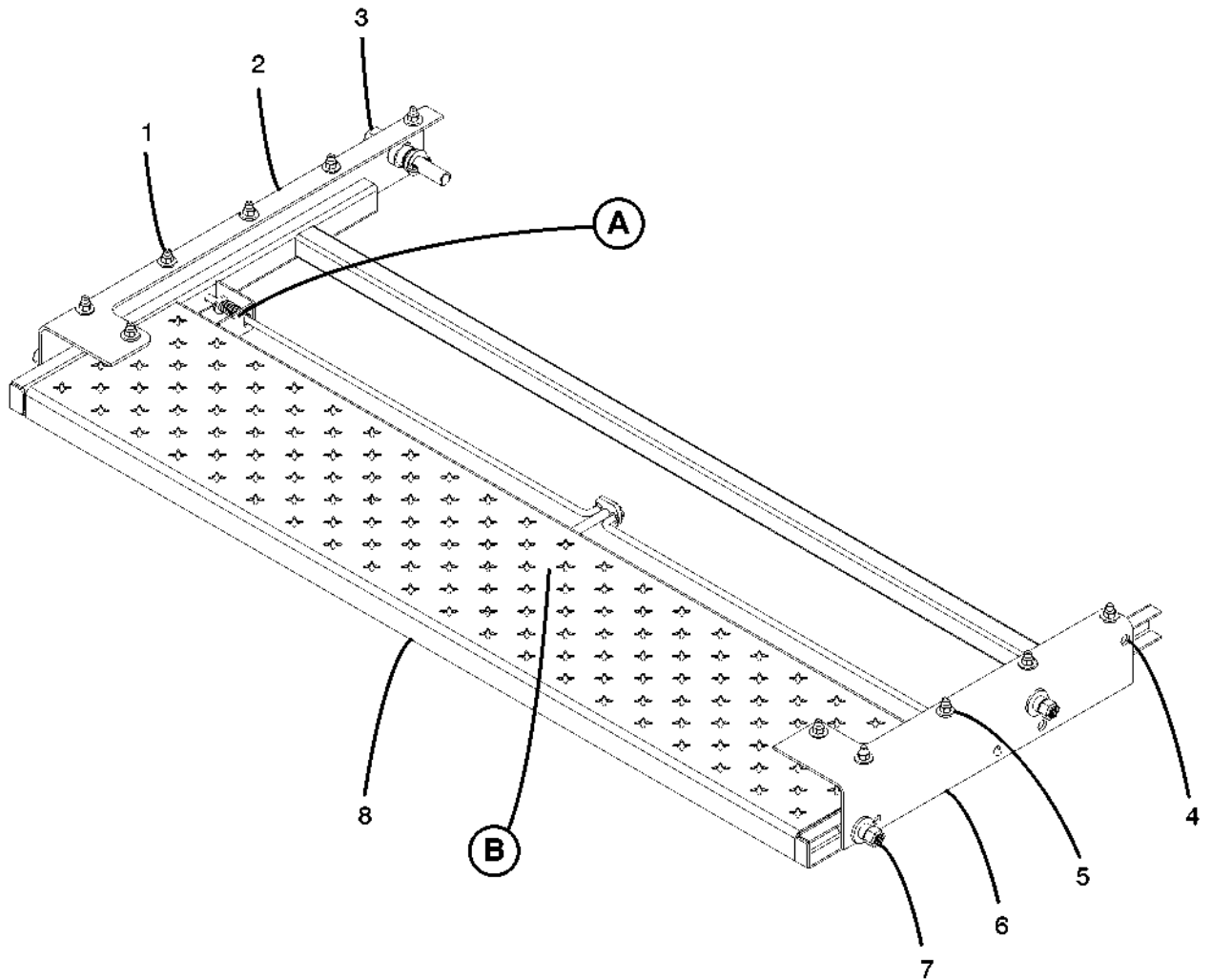


Parts List

0907

| Upper Cab Mounting | | | | |
|--------------------|-----------|-----|-------------|---------|
| REF | PART NO. | QTY | DESCRIPTION | REMARKS |
| 1 | R3B0034 | 1 | Mount, Cab | |
| 2 | 126009044 | 4 | Capscrew | |
| | 128003008 | 8 | Washer | |
| | 127004006 | 4 | Locknut | |
| 3 | J7B0077 | 2 | Bracket | |
| | 126009044 | 6 | Capscrew | |
| | 128003008 | 12 | Washer | |
| | 127004006 | 6 | Locknut | |

Upper Cab Step Assy

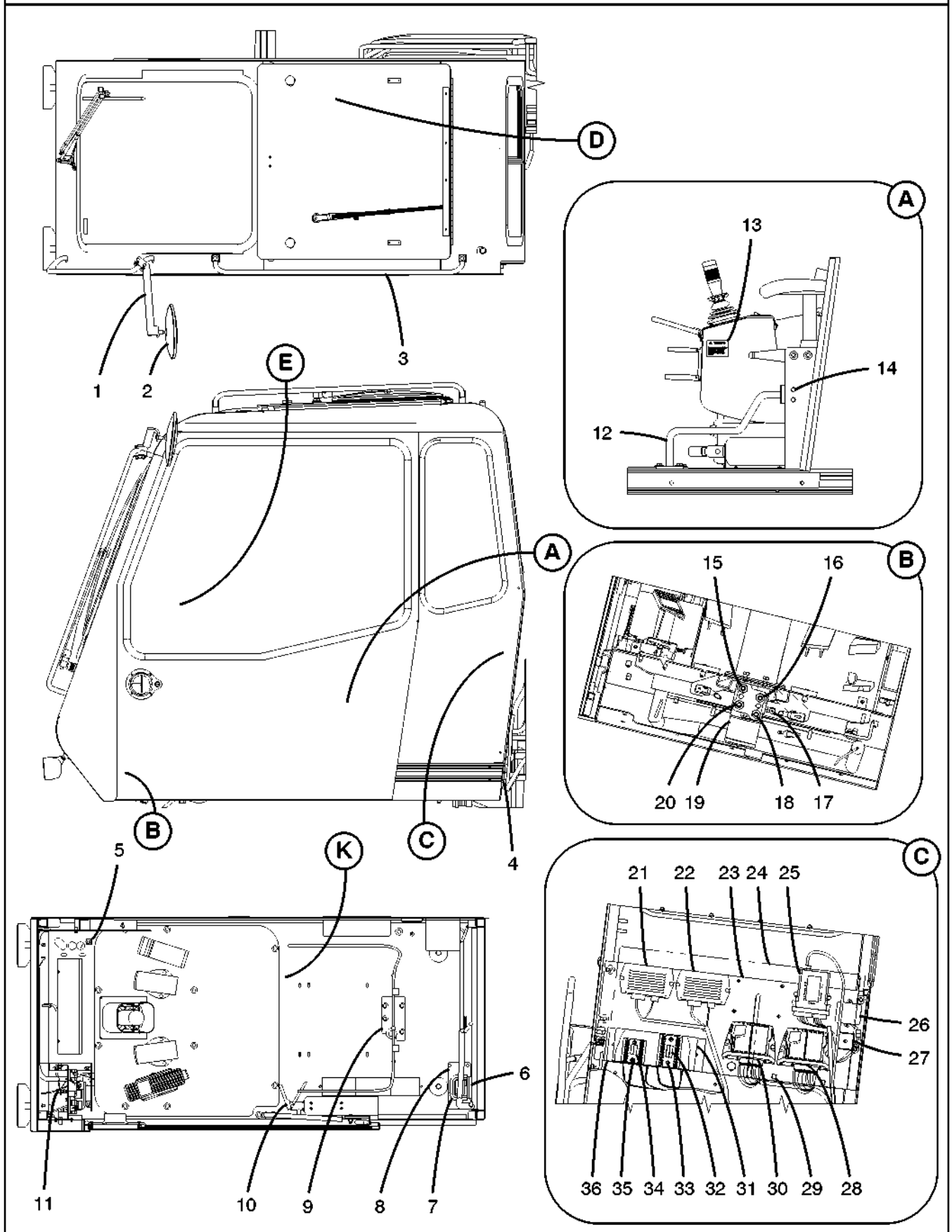


Parts List

1208

| Upper Cab Step Assy | | | | |
|---------------------|-----------|-----|---------------------|---------|
| REF | PART NO. | QTY | DESCRIPTION | REMARKS |
| 1 | 126009014 | 6 | Capscrew | |
| | 128003004 | 12 | Washer | |
| | 127004003 | 6 | Locknut | |
| 2 | R3N0083 | 1 | Bracket | |
| 3 | 155286001 | 1 | Lockwasher | |
| | 155285001 | 1 | Nut | |
| 4 | 1X 7904 | 1 | Screw, Machine | |
| | 1X 4638 | 1 | Locknut | |
| 5 | 126009014 | 5 | Capscrew | |
| | 128003004 | 10 | Washer | |
| | 127004003 | 5 | Locknut | |
| 6 | R3N0084 | 1 | Bracket | |
| 7 | R3N0095 | 4 | Follower, Cam | |
| | D6D0010 | 4 | Spacer | |
| | 128003008 | 4 | Washer | |
| | 1X 4976 | 4 | Locknut | |
| 8 | J7N0029 | 1 | Step, Cab | |
| 9 | 150007003 | 2 | Pin, Cotter | |
| 10 | F8N0040 | 2 | Spring, Compression | |
| | 128003004 | 4 | Washer | |
| 11 | F8N0029 | 1 | Shaft | |
| 12 | 150007003 | 2 | Pin, Cotter | |
| | 128003003 | 2 | Washer | |
| 13 | F8N0026 | 2 | Rod | |
| 14 | 28A5716 | 2 | Washer, Nylon | |
| 15 | 128003006 | 1 | Washer | |
| 16 | F8N0030 | 1 | Handle, Cab Step | |

Upper Cab Assy

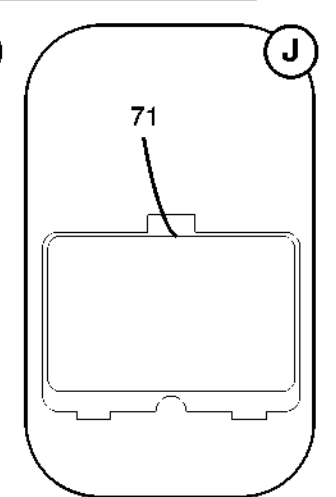
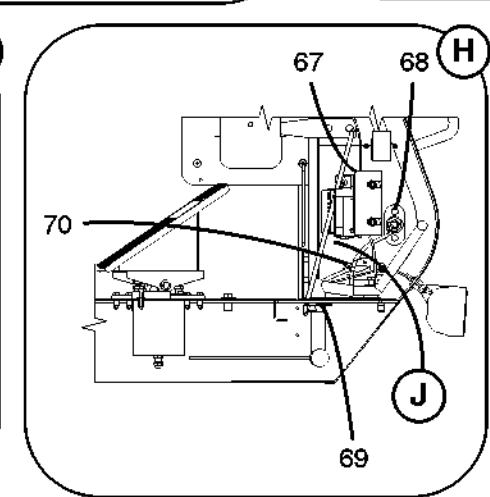
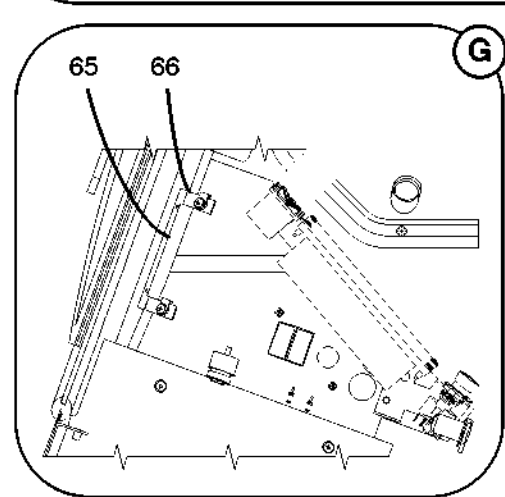
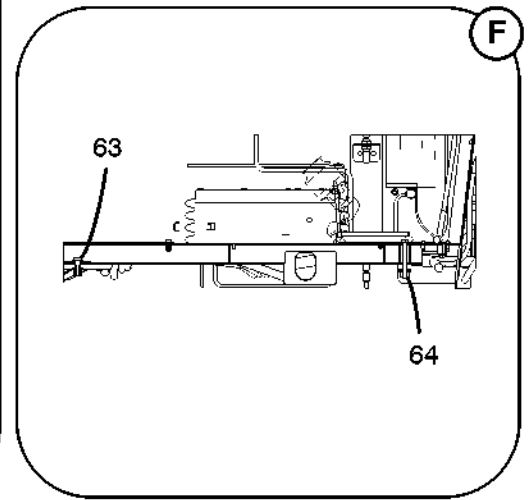
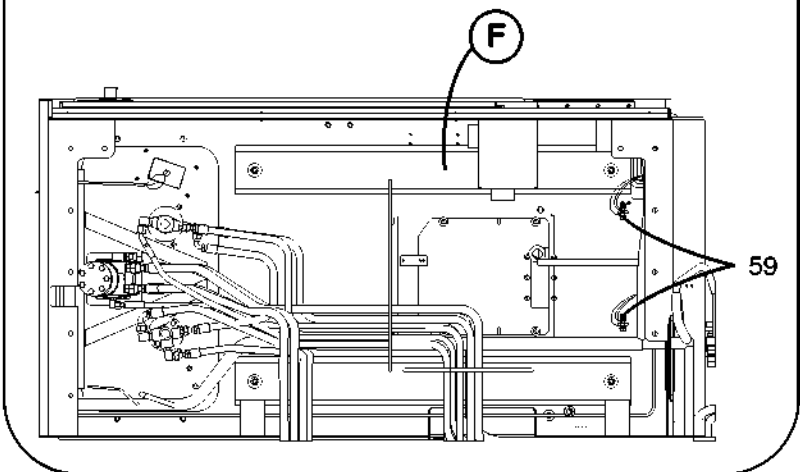
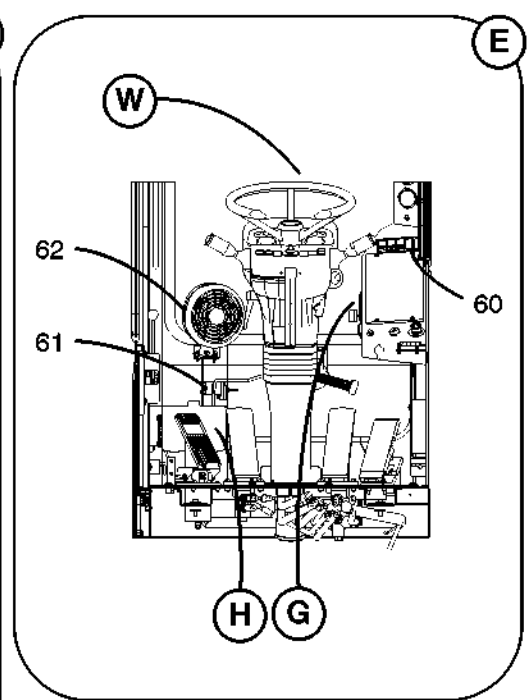
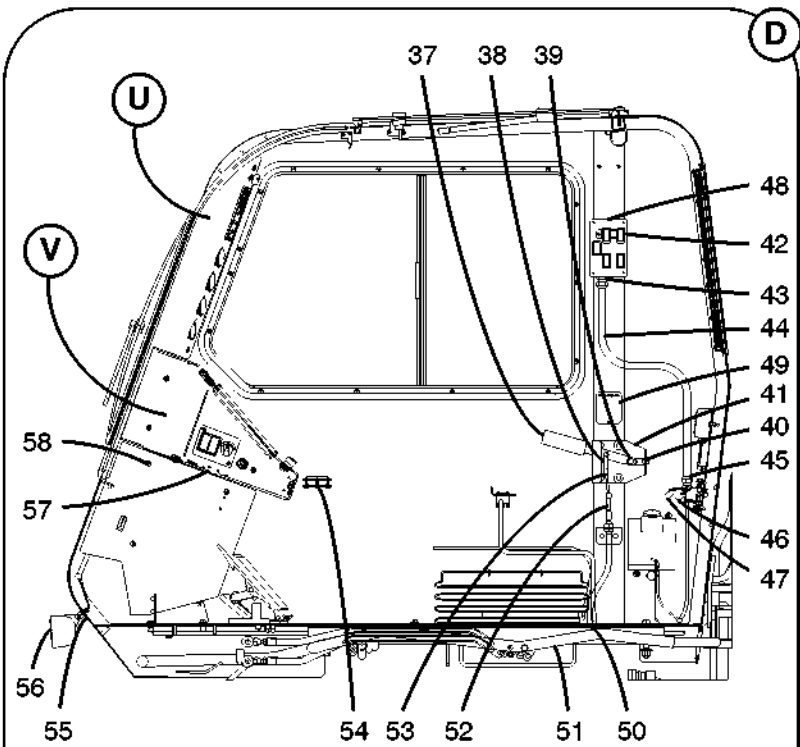


Parts List

0411

| Upper Cab Assy | | | | |
|----------------|-----------|-----|---|---------|
| REF | PART NO. | QTY | DESCRIPTION | REMARKS |
| 1 | N3N0170 | 1 | Bracket | |
| | F8J0220 | 1 | Plate, Cover | |
| | N3J0332 | 1 | Clamp | |
| | 126009008 | 2 | Capscrew | |
| | 127004001 | 2 | Locknut | |
| 2 | 53A0455 | 1 | Mirror | |
| 3 | J7N0104 | 1 | Handle, Grab | |
| | 126009016 | 2 | Capscrew | |
| | 128003004 | 2 | Washer | |
| 4 | 824025005 | 1 | Trim – 1.62' | |
| 5 | N3N0105 | 2 | Bracket, Heater Mounting | |
| | 126009095 | 2 | Capscrew | |
| | 128003002 | 2 | Washer | |
| 6 | 824046001 | 1 | Trim – 0.29' | |
| 7 | 824046001 | 1 | Trim – 0.66' | |
| 8 | R3N0090 | 1 | Sheet | |
| | 126009003 | 3 | Capscrew | |
| 9 | R3N0109 | 1 | Sheet | |
| | 126009095 | 4 | Capscrew | |
| | 128003002 | 4 | Washer | |
| | 23A0376 | 1 | Grommet, Rubber | |
| 10 | REF | 1 | Fire Extinguisher – See Keysheet 18-014 | |
| | 1X 8117 | 4 | Screw | |
| 11 | 126009015 | 1 | Capscrew | |
| | 128003003 | 2 | Washer | |
| | 127004003 | 1 | Locknut | |
| 12 | J8N0154 | 1 | Handle, Grab | |
| | 126009013 | 2 | Capscrew | |
| | 128003004 | 2 | Washer | |
| 13 | 70N0167 | 1 | Label, Raise Console Warning | |
| 14 | 126009014 | 2 | Capscrew | |
| | 128003004 | 2 | Washer | |
| 15 | D6J0859 | 1 | Hose Assy | |
| | 1X 7371 | 1 | Connector | |
| 16 | D6J0169 | 1 | Hose Assy | |
| | 1X 7371 | 1 | Connector | |
| 17 | F2J0040 | 1 | Hose Assy | |
| | 1X 7576 | 1 | Elbow | |
| 18 | 65J0555 | 1 | Hose Assy | |
| | 1X 7371 | 1 | Connector | |
| 19 | REF | 1 | Steering Control Valve Assy – See Keysheet 07-022 | |
| | 126004064 | 4 | Capscrew | |
| 20 | 70J0082 | 1 | Hose Assy | |
| | E8J0171 | 1 | Valve, Check | |
| 21 | R3R0038 | 1 | Controller, Boom Latching | |
| | 126009003 | 2 | Capscrew | |
| 22 | R3R0038 | 1 | Controller, Boom Latching | |
| | 126009003 | 2 | Capscrew | |

Upper Cab Assy



Parts List

0411

| Upper Cab Assy | | | | |
|----------------|-----------|-----|----------------------------|---------|
| REF | PART NO. | QTY | DESCRIPTION | REMARKS |
| 23 | J8N0108 | 1 | Bracket S/A | NSS |
| | J8N0109 | 1 | Bracket, Controller/CPU | |
| | D7N0050 | 3 | Nutsert | |
| | 1X 8378 | 4 | Insert, Threaded | |
| | 71N0005 | 12 | Nutsert | |
| | 128003004 | 4 | Washer | |
| | 127004003 | 4 | Locknut | |
| 24 | J8N0161 | 1 | Cover, Electrical Panel | |
| 25 | R3R0009 | 1 | Controller, Pump | |
| | 126009004 | 2 | Capscrew | |
| 26 | P9R0174 | 1 | Controller, DRI | |
| | 1X 7901 | 2 | Screw, Machine | |
| 27 | J8R0099 | 1 | Flasher | |
| | 1X 7907 | 1 | Screw, Machine | |
| 28 | R3R0012 | 1 | Module, Controller | |
| | 126009003 | 2 | Capscrew | |
| 29 | L8R0049 | 4 | Mount, Cable Tie | |
| | 71J0005 | 4 | Tie, Cable | |
| 30 | R3R0004 | 1 | Module, Crane Control | |
| | 126009003 | 2 | Capscrew | |
| 31 | R3N0096 | 1 | Cover, Relay | NSS |
| | R3R0069 | 1 | Auto/Manual Boom Relay S/A | |
| 32 | J7R0046 | 1 | Relay | |
| | J7R0050 | 1 | Clip, Relay Spring | |
| 33 | J7R0048 | 1 | Socket, 6 Pole Relay | |
| | R3R0065 | 1 | Harness, Wire | |
| | J7R0049 | 2 | Isolator, Relay Socket | |
| | 1X 6543 | 2 | Screw | |
| 34 | R3R0073 | 1 | Relay, 4 Pole | |
| | R3R0071 | 1 | Clip, Spring | |
| 35 | R3R0070 | 1 | Socket, 4 Pole Relay | |
| | R3R0066 | 1 | Harness, Wire | |
| | J7R0049 | 2 | Isolator, Relay Socket | |
| | 1X 6543 | 2 | Screw | |
| 36 | R3N0080 | 1 | Support, Boom Relay | NSS |
| | 1X 8346 | 2 | Screw, Machine | |
| | J9N0004 | 1 | Swing Lock Lever S/A | |
| 37 | J9N0003 | 1 | Lever, Swing Lock | |
| | N4N0042 | 1 | Grip, Handle | |
| 38 | 47F0034 | 1 | End, Yoke | |
| | HC 0115 | 1 | Pin | |
| | 150007003 | 1 | Pin, Cotter | |
| 39 | 126009015 | 1 | Capscrew | |
| | 128003003 | 1 | Washer | |
| | 127004003 | 1 | Locknut | |
| 40 | 1X 7502 | 1 | Capscrew | |
| | 39J0293 | 1 | End, Rod | |
| 41 | J9N0019 | 1 | Bracket | |
| | 126009119 | 4 | Capscrew | |
| | 128003004 | 4 | Washer | |

Parts List

0411

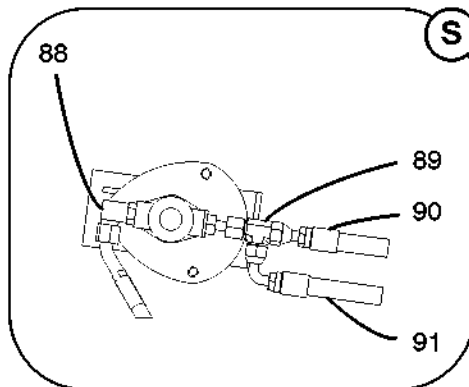
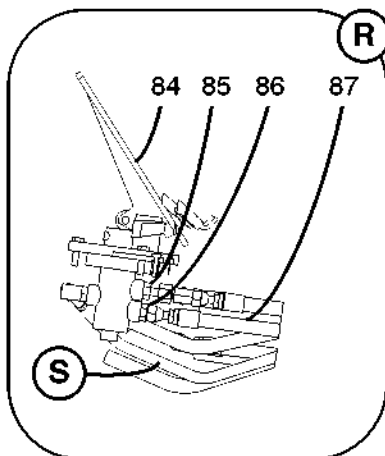
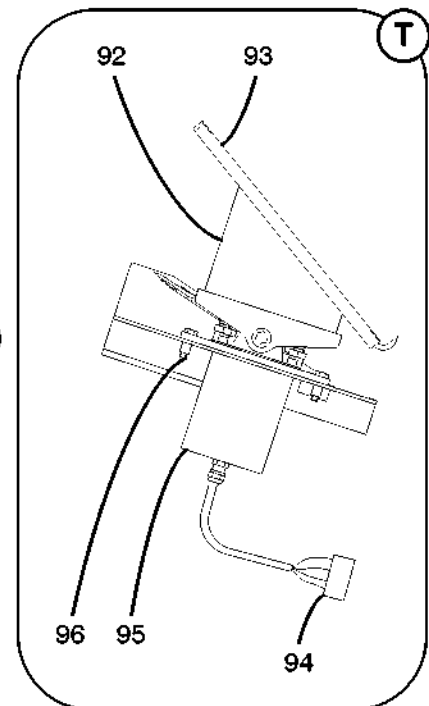
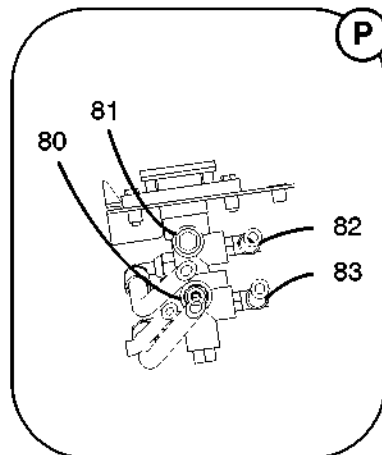
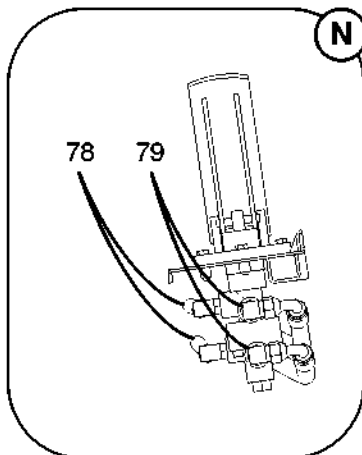
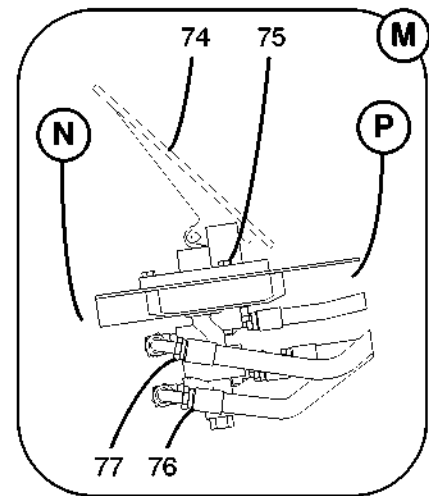
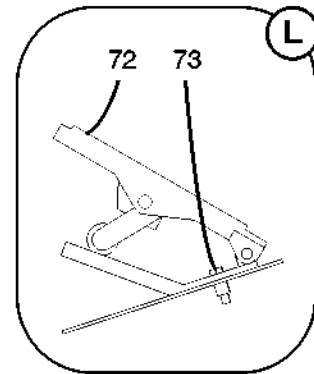
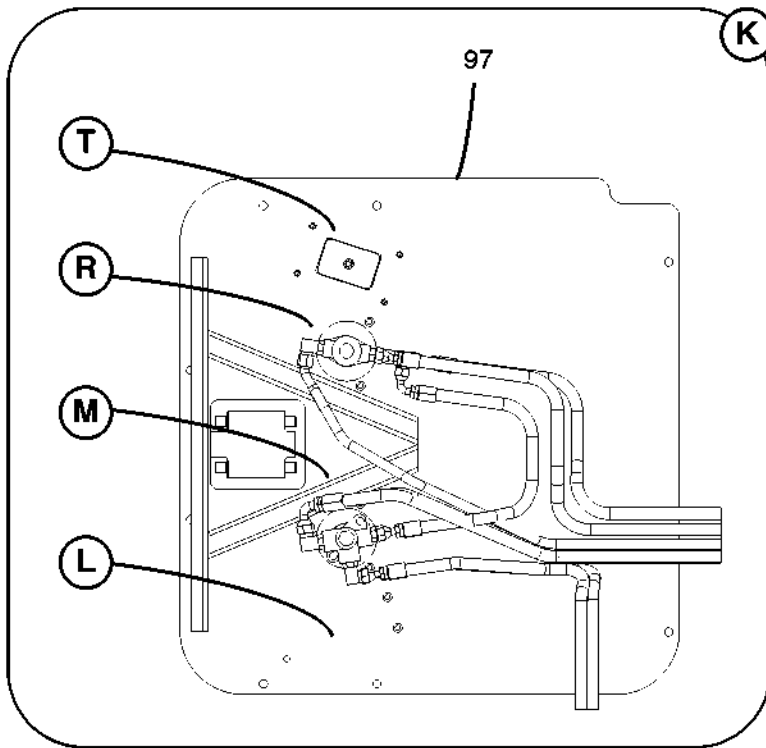
14-001-779.00

| Upper Cab Assy | | | | | |
|----------------|-----------|-----|--|---------|-----|
| REF | PART NO. | QTY | DESCRIPTION | REMARKS | |
| | N4R0122 | 1 | Outrigger Remote Control S/A | NSS | |
| 42 | F7R0072 | 5 | Switch | | |
| 43 | F7R0066 | 1 | Relief, Strain | | |
| 44 | N4R0111 | 1 | Harness, Wire | | |
| 45 | F7R0066 | 1 | Relief, Strain | | |
| 46 | 155103001 | 1 | Connector, 8 Way | | |
| | 155146001 | 1 | Lock, Secondary | | |
| | 155065003 | 1 | Plug | | |
| | 155064005 | 7 | Seal, Cable | | |
| | 155106001 | 7 | Terminal | | |
| 47 | 155113001 | 1 | Connector, 6 Way | | |
| | 155136001 | 1 | Lock, Secondary | | |
| | 155064005 | 6 | Seal, Cable | | |
| | 155100001 | 6 | Terminal | | |
| 48 | F7R0080 | 1 | Box, Remote Control Outrigger | | |
| | F7R0068 | 1 | Hanger, Outrigger Controls | | |
| | 1X 7750 | 2 | Capscrew | | |
| 49 | J9N0018 | 1 | Label, Travel Swing Lock | | |
| 50 | 16H0024 | 1 | Grommet, Rubber | | |
| 51 | REF | 1 | Upper Cab Wire Harness – See Keysheet 06-048 | | |
| 52 | 36J3279 | 1 | Cable, Control | | |
| 53 | 1X 0193 | 1 | Nut, Jam | | |
| 54 | J9N0005 | 1 | Level, Circular | | |
| 55 | N3N0144 | 2 | Grommet | | |
| 56 | D3R0138 | 2 | Light, Drive | | |
| 57 | 1X 7118 | 2 | Capscrew | | |
| | 1X 5090 | 2 | Locknut | | |
| 58 | N3N0039 | 1 | Holder, Flip Chart | | |
| | 1X 5314 | 4 | Screw | | |
| 59 | 126009015 | 2 | Capscrew | | |
| | 128003003 | 4 | Washer | | |
| | 127004003 | 2 | Locknut | | |
| 60 | 1X 8117 | 1 | Screw | | |
| 61 | F8R0005 | 1 | Relay, 100 Amp | | |
| | 1X 7907 | 2 | Screw, Machine | | |
| | 1X 4638 | 2 | Locknut | | |
| 62 | D3R0090 | 1 | Fan S/A | | NSS |
| | 810008006 | 1 | Tubing – 0.66' | | |
| | 155106001 | 2 | Terminal | | |
| | 155064005 | 2 | Seal, Cable | | |
| | 155108001 | 1 | Connector | | |
| | 155140001 | 1 | Lock, Secondary | | |
| | D3R0074 | 1 | Fan, Cab | | |
| | 1X 8117 | 3 | Screw | | |
| 63 | 126009029 | 2 | Capscrew | | |
| | 128003007 | 4 | Washer – 1.38" OD | | |
| | HC 2418 | 2 | Washer – 3" OD | | |
| | 127004005 | 2 | Locknut | | |
| 64 | 126009038 | 2 | Capscrew | | |
| | 128003007 | 2 | Washer – 1.38" OD | | |
| | HC 2418 | 2 | Washer – 3" OD | | |
| | 127004005 | 2 | Locknut | | |
| 65 | 824025005 | 1 | Trim – 0.75' | | |
| 66 | 58A0796 | 2 | Retainer, Nut | | |

Parts List

0411

Upper Cab Assy



Parts List

0411

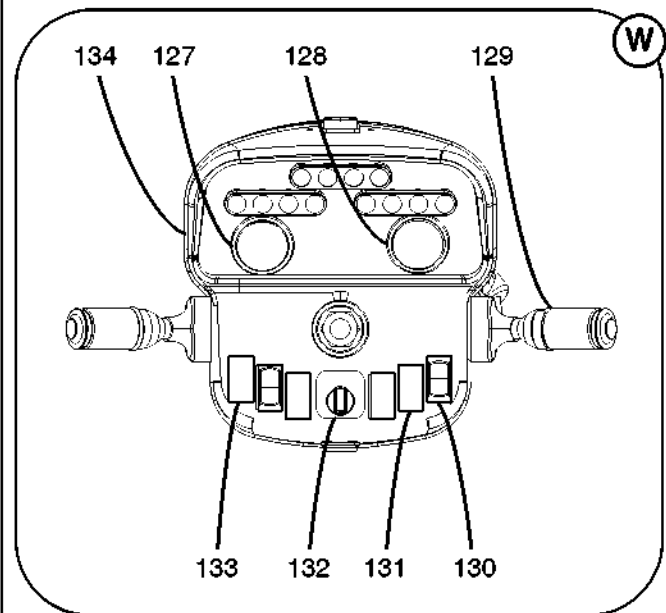
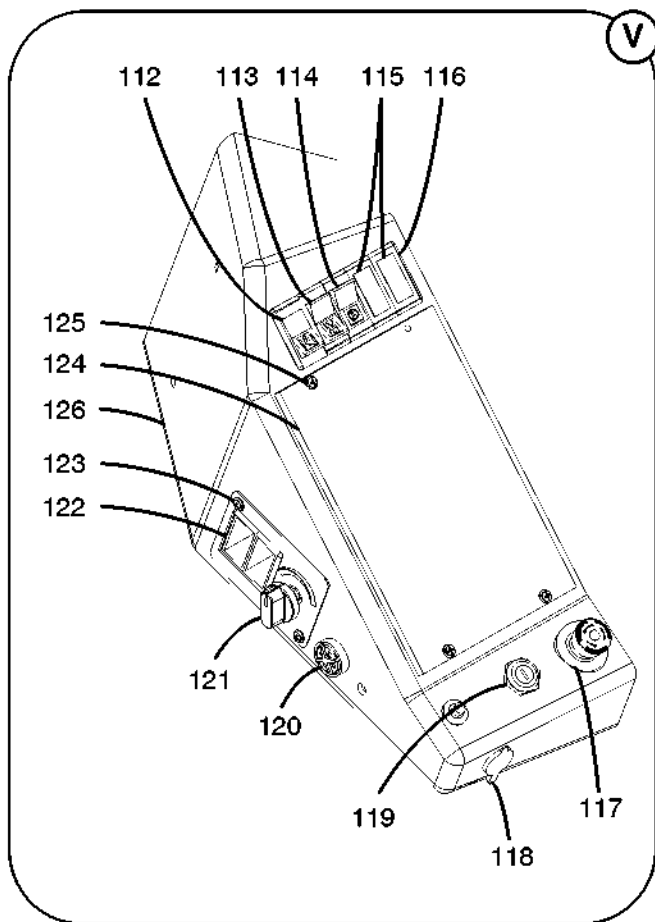
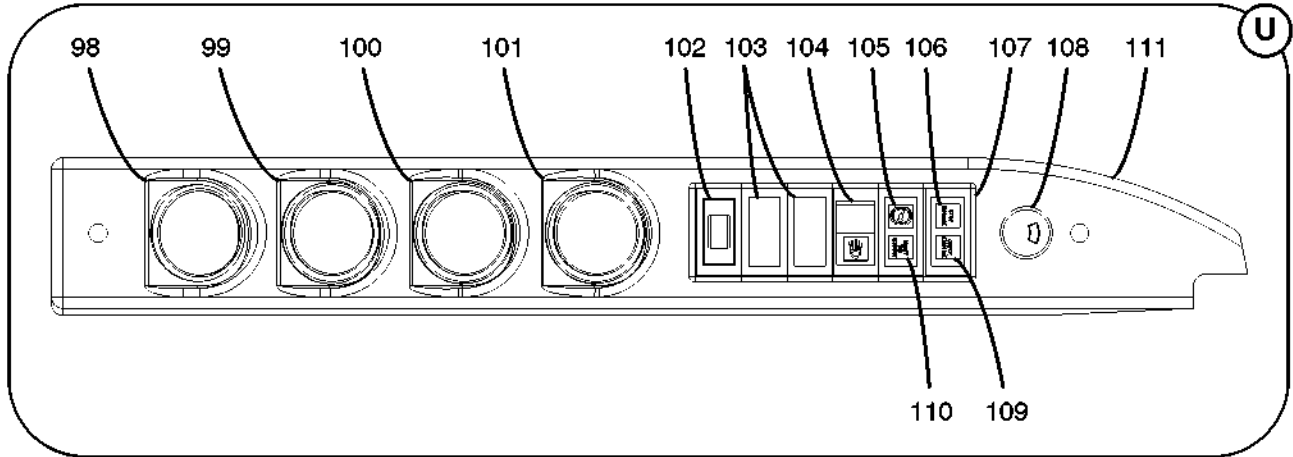
14-001-779.00

| Upper Cab Assy | | | | |
|----------------|-----------|-----|-------------------------|---------|
| REF | PART NO. | QTY | DESCRIPTION | REMARKS |
| 67 | N3N0227 | 1 | Bracket, Fuse Panel | NSS |
| | 126009013 | 2 | Capscrew | |
| | 128003004 | 4 | Washer | |
| | 127004003 | 2 | Locknut | |
| 68 | C4A0458 | 1 | Block, Junction | |
| | 126009003 | 2 | Capscrew | |
| 69 | 824025005 | 1 | Trim - 0.5' | |
| 70 | F2R0067 | 1 | Flasher | |
| | 1X 7901 | 2 | Screw, Machine | |
| | 1X 1776 | 2 | Washer | |
| 71 | R3P0094 | 1 | Label, Upper Fuse ID | |
| | R3N0002 | 1 | Floor Plate S/A | |
| 72 | L8R0062 | 1 | Pedal, Throttle | |
| 73 | 126009096 | 2 | Capscrew | |
| 74 | R3J0351 | 1 | Pedal, Modulating Valve | |
| | 3J 14495 | 1 | Pedal & Base Assy | |
| | 3J 18595 | 1 | Valve Assy | |
| | 3J 14496 | 1 | Kit, Rebuild | |
| 75 | 126009096 | 3 | Capscrew | |
| 76 | J7J0668 | 1 | Hose Assy | |
| 77 | J7J0668 | 1 | Hose Assy | |
| 78 | 1X 7385 | 2 | Elbow | |
| 79 | 1X 7387 | 2 | Elbow | |
| 80 | 1X 7368 | 1 | Connector | |
| 81 | 1X 3581 | 1 | Plug, O-ring Boss | |
| 82 | 69J0194 | 1 | Hose Assy | |
| 83 | 69J0194 | 1 | Hose Assy | |
| 84 | N3J0125 | 1 | Pedal, Modulating Valve | |
| | 3J 17290 | 1 | Kit, Seal | |
| | 126009096 | 3 | Capscrew | |
| 85 | 1X 7368 | 1 | Connector | |
| 86 | 1X 7368 | 1 | Connector | |
| 87 | E8J0251 | 1 | Hose Assy | |
| 88 | L8J0323 | 1 | Hose Assy | |
| | 1X 7385 | 1 | Elbow | |
| 89 | 1X 7414 | 1 | Tee | |
| 90 | 70J0110 | 1 | Hose Assy | |
| 91 | D7J0175 | 1 | Hose Assy | |
| | N3N0236 | 1 | Foot Pedal S/A | |
| 92 | N3N0234 | 1 | Pedal, Telescope | |
| | 126009001 | 2 | Capscrew | |
| | 128003001 | 2 | Washer | |
| 93 | 68J0075 | 1 | Pad | |
| 94 | 155074003 | 5 | Terminal | |
| | 155064006 | 5 | Seal, Cable | |
| | 155124001 | 1 | Connector | |
| | 155141001 | 1 | Lock, Secondary | |
| 95 | N3N0153 | 1 | Pedal, Foot | |
| 96 | 126009003 | 4 | Capscrew | |
| 97 | N4N0021 | 1 | Plate, Floor | |
| | 126009013 | 10 | Capscrew | |
| | 128003004 | 10 | Washer | |

Parts List

0411

Upper Cab Assy



Parts List

0411

14-001-779.00

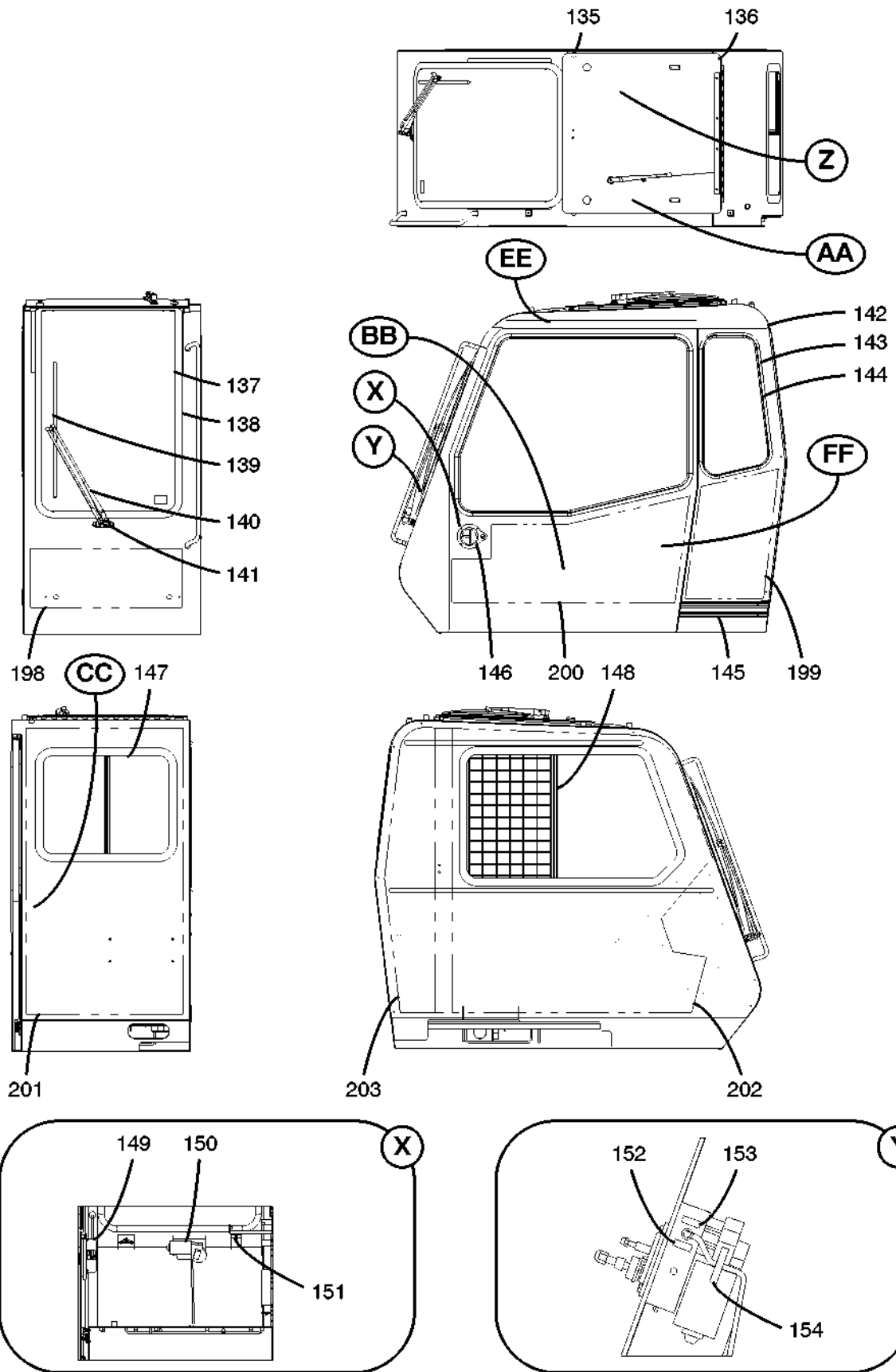
| Upper Cab Assy | | | | |
|----------------|----------|-----|----------------------------------|---------|
| REF | PART NO. | QTY | DESCRIPTION | REMARKS |
| 98 | R3N0081 | 1 | Gauge Panel S/A | NSS |
| | J7R0143 | 1 | Tachometer | |
| 99 | E8R0019 | 1 | Light | NSS |
| | E8R0013 | 1 | Gauge, Water Temperature | |
| 100 | E8R0019 | 1 | Light | NSS |
| | E8R0011 | 1 | Gauge, Fuel | |
| 101 | E8R0019 | 1 | Light | NSS |
| | E8R0014 | 1 | Gauge, Hydraulic Oil Temperature | |
| 102 | 28A5052 | 1 | Switch, Dimmer | NSS |
| 103 | 28A5060 | 2 | Cover, Switch | |
| 104 | 28A5053 | 1 | Switch | NSS |
| | N3R0039 | 1 | Lens, Upper Light | |
| 105 | N3R0046 | 1 | Lens, Swing Lock | NSS |
| 106 | F2R0077 | 1 | Light, Indicator | |
| | F2R0078 | 1 | Lens, Stop Engine | |
| 107 | 28A5061 | 4 | Housing, Switch Intermediate | NSS |
| | 28A5062 | 2 | Housing, Switch End | |
| 108 | 69R0012 | 1 | Switch, Wiper/Washer | NSS |
| 109 | F2R0077 | 1 | Light, Indicator | |
| | F2R0079 | 1 | Lens, Check Engine | |
| 110 | F8R0027 | 1 | Lens, Wait To Start | NSS |
| 111 | P9N0080 | 1 | Panel, Gauge | |
| | 1X 5314 | 2 | Screw | |
| 112 | R3N0082 | 1 | RCL Display S/A | NSS |
| | N3R0071 | 1 | Switch, Rocker | |
| 113 | N3N0281 | 1 | Lens, Throttle Lock | NSS |
| | 28A5054 | 1 | Switch | |
| 114 | L8R0144 | 1 | Lens, Set/Resume | NSS |
| | N3R0070 | 1 | Switch | |
| 115 | N3R0044 | 1 | Lens, Function Lockout | NSS |
| | 28A5060 | 2 | Cover, Switch | |
| 116 | 28A5061 | 3 | Housing, Switch Intermediate | NSS |
| | 28A5062 | 2 | Housing, Switch End | |
| 117 | N3R0268 | 1 | Switch, Emergency Stop | NSS |
| | N3R0355 | 1 | Label, Emergency Stop | |
| 118 | F7R0058 | 1 | Outlet, 12 Volt | NSS |
| 119 | 57R0027 | 1 | Switch, Ignition | |
| | 57R0050 | 1 | Cylinder, Ignition Lock | |
| 120 | 3P 0521 | 1 | Key | NSS |
| | D3R0081 | 2 | Alarm, Audio | |
| 121 | L8R0031 | 1 | Knob, Heater Control | NSS |
| | L8R0084 | 1 | Potentiometer | |
| 122 | 28A5062 | 2 | Housing, Switch End | NSS |
| 123 | J6N0078 | 1 | Panel, Heater | |
| | 1X 7347 | 2 | Screw | |
| 124 | F7N0030 | 2 | Insert, Threaded | NSS |
| | N3L0012 | 1 | Display | |
| 125 | 1X 8117 | 3 | Screw | NSS |
| | F7N0030 | 3 | Insert, Threaded | |
| 126 | N3N0282 | 1 | Panel, RCL Display | NSS |
| | 1X 5314 | 3 | Screw | |

Parts List

0411

| Upper Cab Assy | | | | |
|----------------|-----------|-----|--|---------|
| REF | PART NO. | QTY | DESCRIPTION | REMARKS |
| | R3N0028 | 1 | Steering Column S/A | NSS |
| 127 | J7R0109 | 1 | Gauge, Transmission Oil Temperature | |
| | E8R0019 | 1 | Light | |
| | D3R0035 | 1 | Connector | |
| 128 | E8R0012 | 1 | Voltmeter | |
| | E8R0019 | 1 | Light | |
| | D3R0035 | 1 | Connector | |
| 129 | J9P0039 | 1 | Label, Transmission Shift | |
| 130 | J7R0132 | 1 | Switch | |
| 131 | J6R0059 | 1 | Cover, Switch | |
| 132 | N4N0037 | 1 | Panel, Combination Steering | |
| | N4R0004 | 1 | Switch | |
| | 37R0064 | 4 | Terminal | |
| 133 | J6R0059 | 2 | Cover, Switch | |
| 134 | REF | 1 | Steering Column Assy – See Keysheet 07–022 | |
| | 126009013 | 4 | Capscrew | |
| | 128003004 | 4 | Washer | |
| | J8N0110 | 1 | Cab, Window, & Vinyl Assy | |
| 135 | N3N0205 | 2 | Bumper, Rubber | |
| 136 | REF | 1 | Top Hatch Window Assy – See Keysheet 14–001 | |
| 137 | J8N0152 | 1 | Windshield | |
| 138 | 824015022 | 1 | Weatherstrip – 13.0' | |
| 139 | D3N0028 | 1 | Blade, Wiper | |
| 140 | N3N0201 | 1 | Arm, Wiper | |
| 141 | N3N0206 | 1 | Adaptor | |
| | 1X 7226 | 2 | Capscrew | |
| 142 | J8N0112 | 1 | Shell, Cab | |
| 143 | 824015007 | 1 | Weatherstrip – 6.04' | |
| 144 | N3N0128 | 1 | Window | |
| 145 | N3N0134 | 1 | Door Track Assy | |
| | N3N0135 | 1 | Track, Door | |
| | D7N0099 | 8 | Insert, Threaded | |
| | 1X 7905 | 8 | Screw | |
| 146 | 28N0157 | 1 | Handle, Door | |
| | 0001250 | 1 | Key | |
| | 1X 7904 | 4 | Screw | |
| | 1X 4638 | 4 | Locknut | |
| 147 | REF | 1 | Rear Sliding Window Assy – See Keysheet 14–001 | |
| | 1X 7797 | 15 | Screw | |
| 148 | REF | 1 | Right Side Sliding Window Assy – See Keysheet 14–001 | |
| | 1X 7797 | 15 | Screw | |
| 149 | J8N0036 | 1 | Cover, Door Latch | |
| | 1X 6044 | 4 | Screw | |
| 150 | D3N0050 | 1 | Motor, Wiper | |
| 151 | 58A0796 | 1 | Retainer, Nut | |
| 152 | 824033003 | 1 | Weatherstrip – 0.08' | |
| 153 | 824033003 | 1 | Weatherstrip – 0.08' | |
| 154 | 824033003 | 1 | Weatherstrip – 0.17' | |
| 155 | 824046001 | 1 | Weatherstrip – 11.25' | |
| 156 | N3N0138 | 1 | Blind, Sunscreen | |
| 157 | N3N0137 | 1 | Bracket | |
| | 1X 7905 | 2 | Screw | |
| 158 | N3N0200 | 1 | Arm, Wiper | |

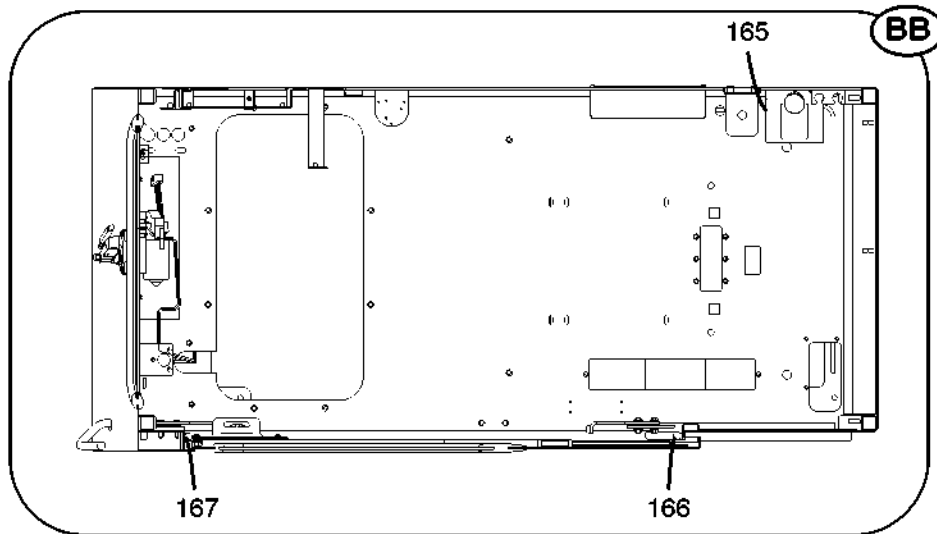
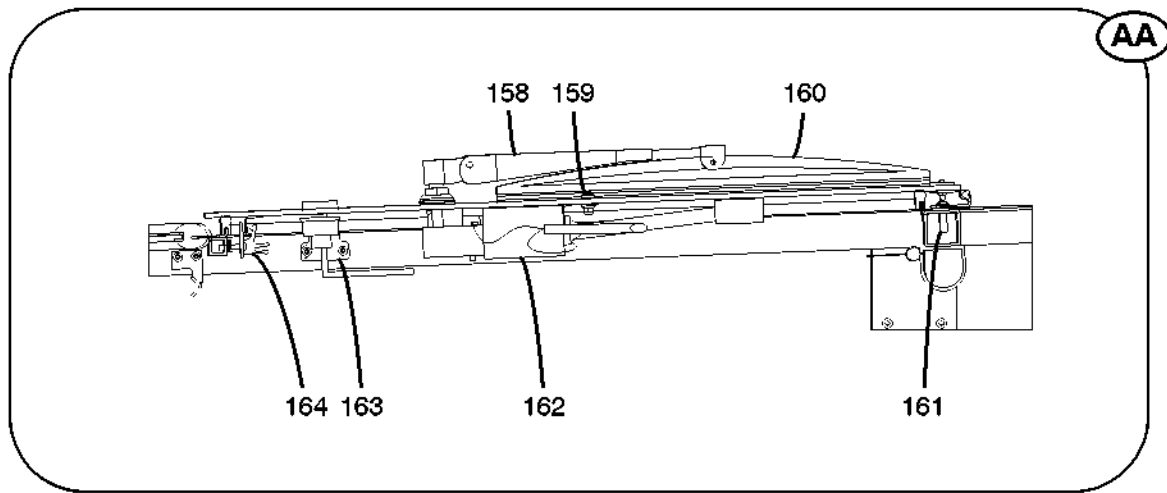
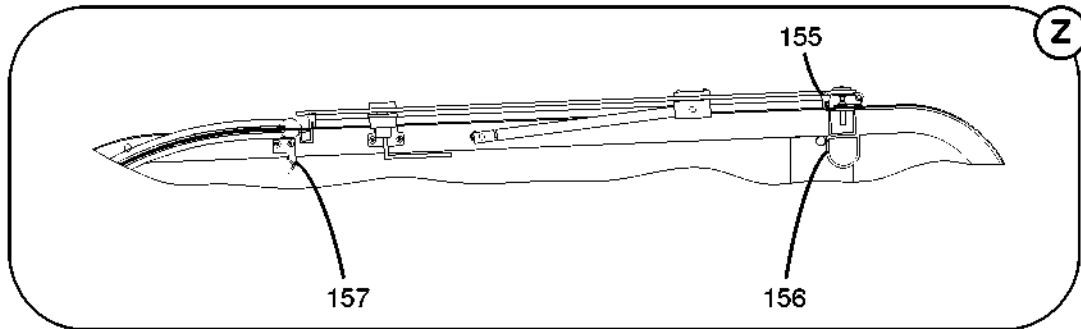
Upper Cab Assy



Parts List

0411

Upper Cab Assy



Parts List

0411

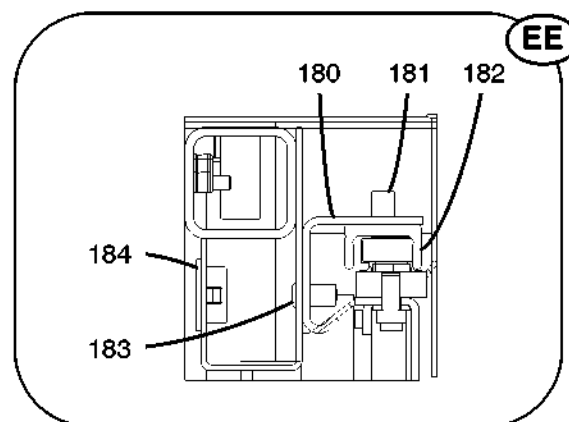
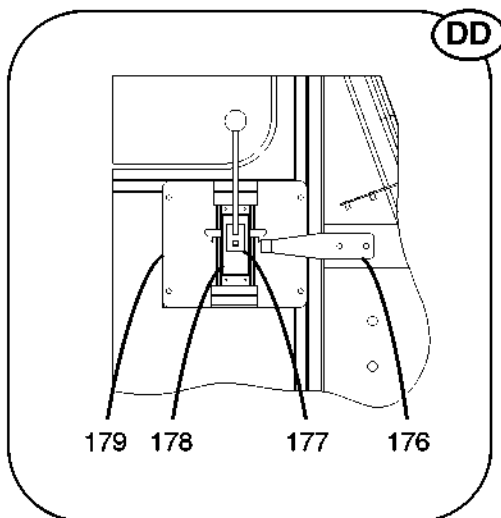
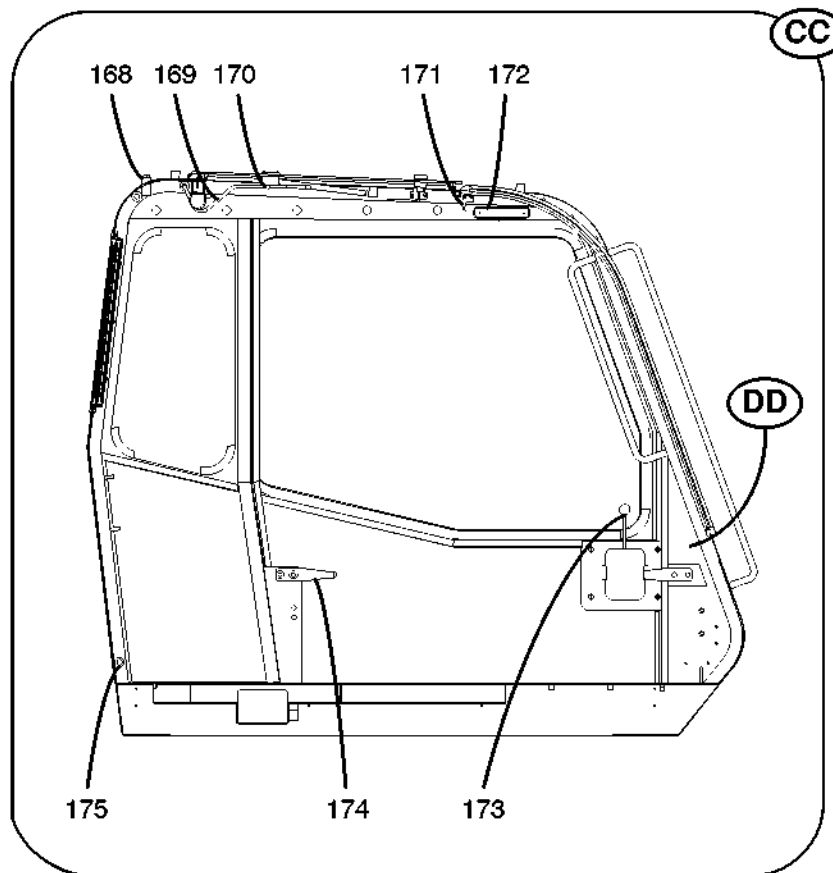
14-001-779.00

| Upper Cab Assy | | | | |
|----------------|-----------|-----|-------------------------------|---------|
| REF | PART NO. | QTY | DESCRIPTION | REMARKS |
| 159 | 1X 6712 | 1 | Screw | |
| | 68N0039 | 1 | Grommet | |
| | 1X 1776 | 1 | Washer | |
| | 1X 6049 | 1 | Lockwasher | |
| | 1X 4638 | 1 | Locknut | |
| 160 | N3N0199 | 1 | Blade, Wiper | |
| 161 | N3N0179 | 2 | Bar | |
| | 1X 7906 | 6 | Screw | |
| | 1X 1776 | 6 | Washer | |
| 162 | 47N0446 | 1 | Motor, Wiper | |
| 163 | N3N0204 | 2 | Bracket | |
| | 1X 7906 | 4 | Screw | |
| | 1X 1776 | 12 | Washer | |
| 164 | 1X 7906 | 2 | Screw | |
| | 1X 1776 | 6 | Washer | |
| 165 | 28A1649 | 1 | Kit, Reservoir | |
| | 822014002 | 1 | Hose - 15' | |
| | 128003001 | 2 | Washer | |
| | 127004001 | 2 | Locknut | |
| 166 | 824009001 | 1 | Weatherstrip - 4.57' | |
| 167 | 824047001 | 1 | Weatherstrip - 5.19' | |
| 168 | 126006018 | 1 | Capscrew | |
| 169 | N3R0064 | 1 | Harness, Cab Accessories Wire | |
| 170 | 1X 2817 | 1 | Clamp | |
| 171 | N3N0136 | 1 | Bracket | |
| | 1X 7905 | 2 | Screw | |
| 172 | F8R0167 | 1 | Light, Dome | |
| | 3R 1760 | 1 | Bulb | |
| | 1X 7902 | 2 | Screw | |
| 173 | D3N0120 | 1 | Knob | |
| | N3N0190 | 1 | Lever | |
| 174 | N3N0082 | 1 | Plate, Striker | |
| | F7N0054 | 1 | Stop, Rubber | |
| | D3N0311 | 1 | Shim | |
| | 126009096 | 2 | Capscrew | |
| | 128003002 | 4 | Washer | |
| | 127004002 | 2 | Locknut | |
| 175 | 16H0024 | 3 | Grommet, Rubber | |
| 176 | N3N0082 | 1 | Plate, Striker | |
| | D3N0311 | 2 | Shim | |
| | 126009109 | 2 | Capscrew | |
| 177 | 1X 7907 | 1 | Screw | |
| | 1X 4638 | 1 | Locknut | |
| 178 | 18N1071 | 1 | Lock, Sliding Door | |
| | 1X 7905 | 4 | Screw | |
| | 1X 1776 | 4 | Washer | |
| | 1X 4638 | 4 | Locknut | |
| 179 | N3N0081 | 1 | Bracket | |
| 180 | R8N0093 | 1 | Sheet Assy | |
| | R8N0094 | 1 | Sheet | |
| | D7N0099 | 12 | Insert, Threaded | |
| 181 | 1X 7904 | 6 | Screw, Machine | |
| 182 | R8N0092 | 1 | Roller, Track | |
| 183 | 1X 7904 | 6 | Screw, Machine | |
| 184 | R8N0095 | 5 | Cover | |

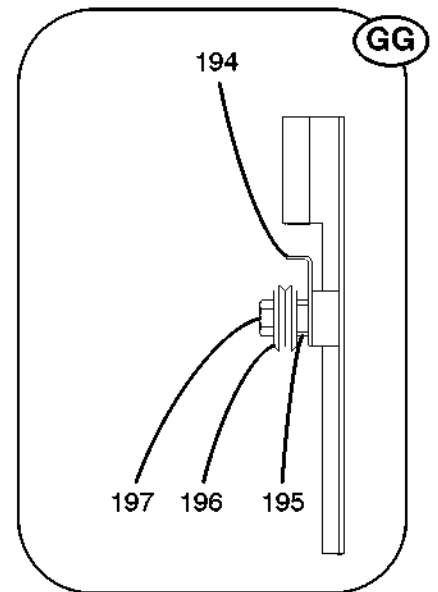
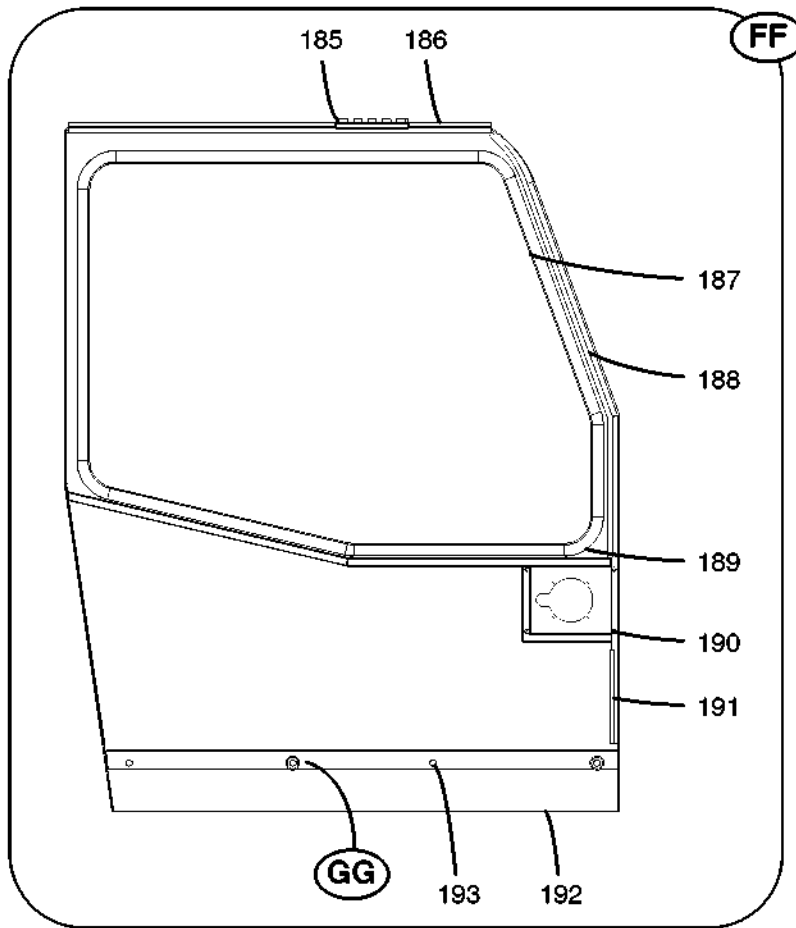
Parts List

0411

Upper Cab Assy



Upper Cab Assy

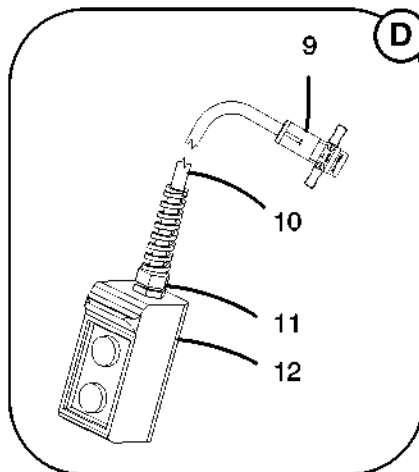
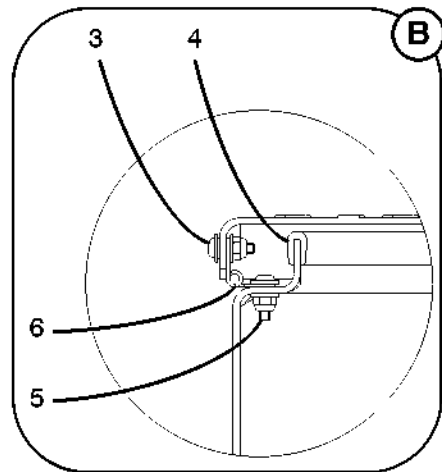
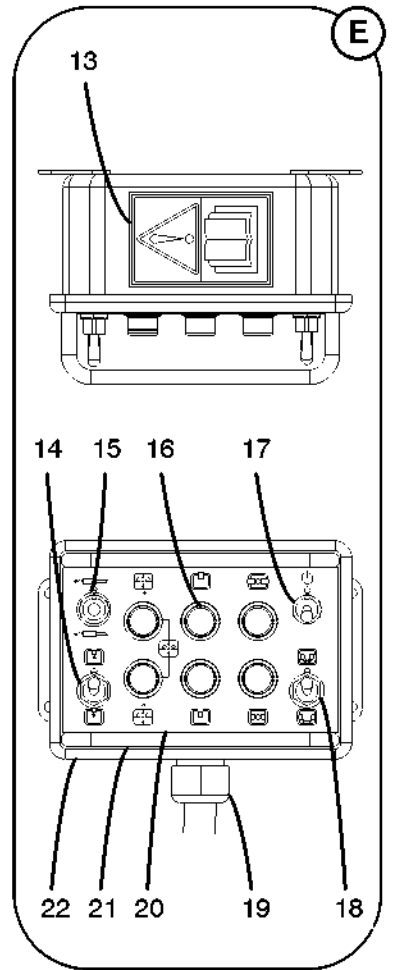
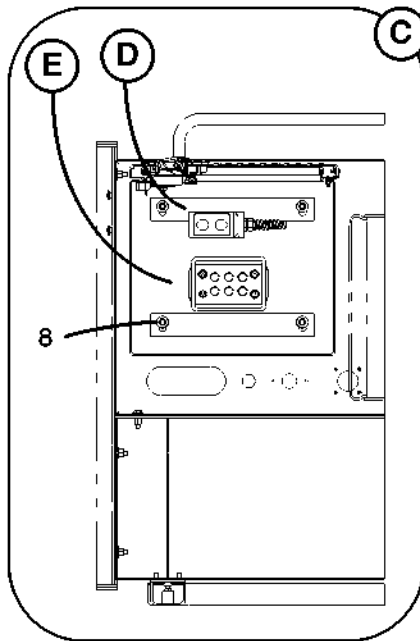
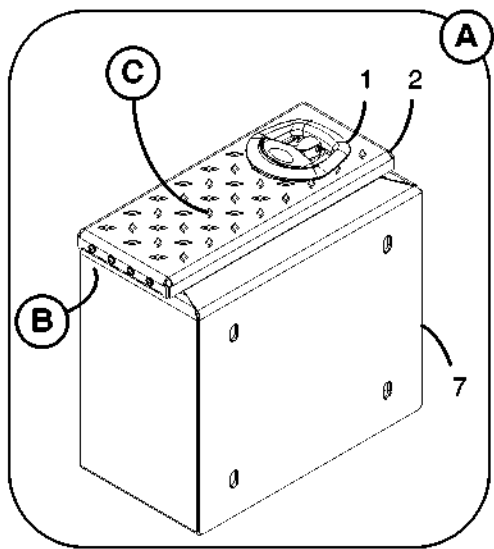
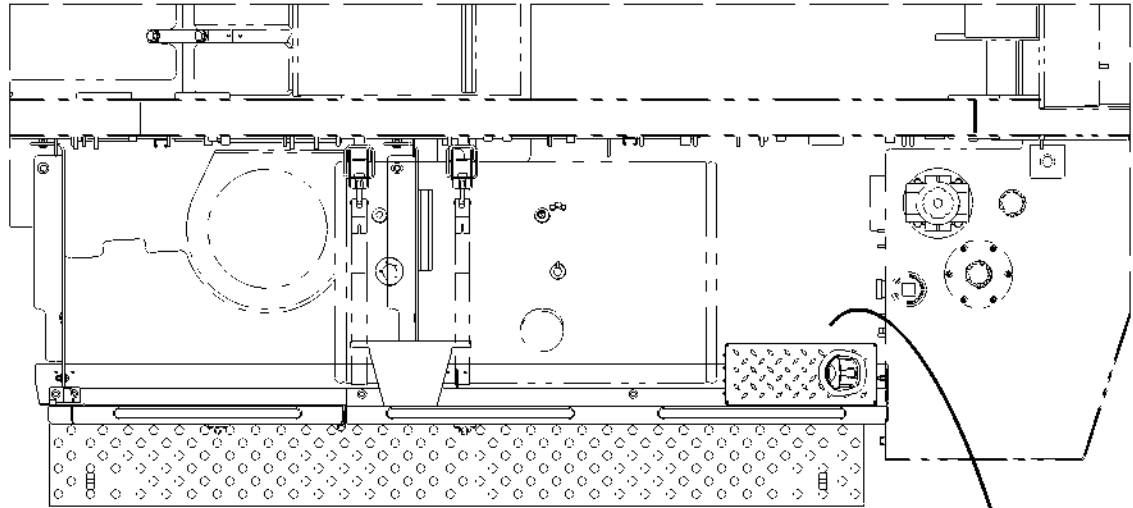


Parts List

0411

| Upper Cab Assy | | | | |
|----------------|-----------|-----|-------------------------|---------|
| REF | PART NO. | QTY | DESCRIPTION | REMARKS |
| | J8N0111 | 1 | Upper Cab Door Assy | |
| 185 | R8N0091 | 1 | Roller, Carriage | |
| | 126006024 | 4 | Capscrew | |
| | 128002005 | 4 | Washer | |
| 186 | J8N0124 | 1 | Guide, Door | |
| | 1X 7904 | 7 | Screw, Machine | |
| 187 | N3N0129 | 1 | Window, Door | |
| 188 | 824009004 | 1 | Weatherstrip – 3.29' | |
| 189 | 824015022 | 1 | Weatherstrip – 12' | |
| 190 | 71N0005 | 4 | Nutsert | |
| 191 | 824009004 | 1 | Weatherstrip – 0.69' | |
| 192 | J8N0113 | 1 | Door | |
| 193 | 126009099 | 2 | Capscrew | |
| 194 | J8N0129 | 1 | Seal, Sheet | |
| 195 | D3N0042 | 2 | Spacer | |
| 196 | D7N0060 | 2 | Guide, Wheel | |
| 197 | 126009013 | 2 | Capscrew | |
| | J6N0077 | 1 | Kit, Vinyl | |
| 198 | N3N0155 | 1 | Vinyl, Front Wall | |
| 199 | N3N0159 | 1 | Vinyl, Left Side | |
| 200 | N3N0160 | 1 | Vinyl, Door | |
| 201 | N3N0156 | 1 | Vinyl, Back Wall | |
| 202 | J6N0076 | 1 | Vinyl, Right Side Front | |
| 203 | N3N0185 | 1 | Vinyl, Right Side Rear | |

Boom Control Storage Box Installation

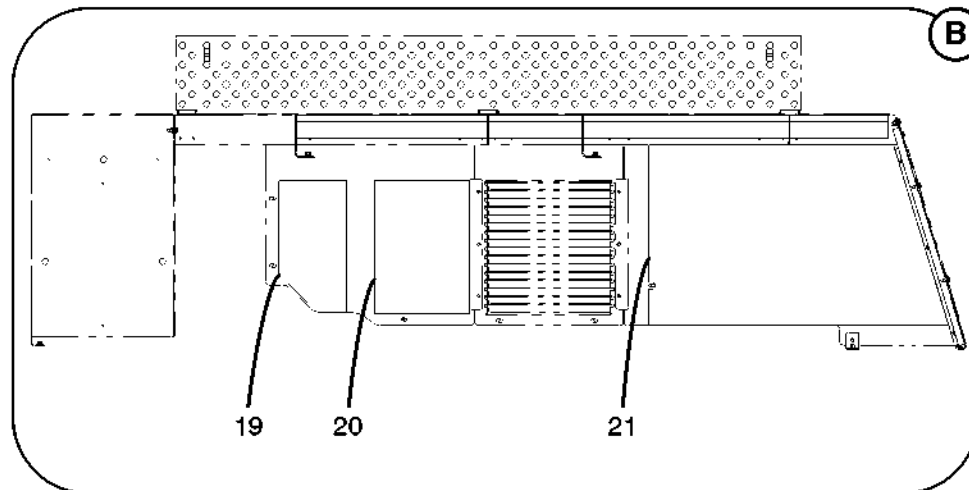
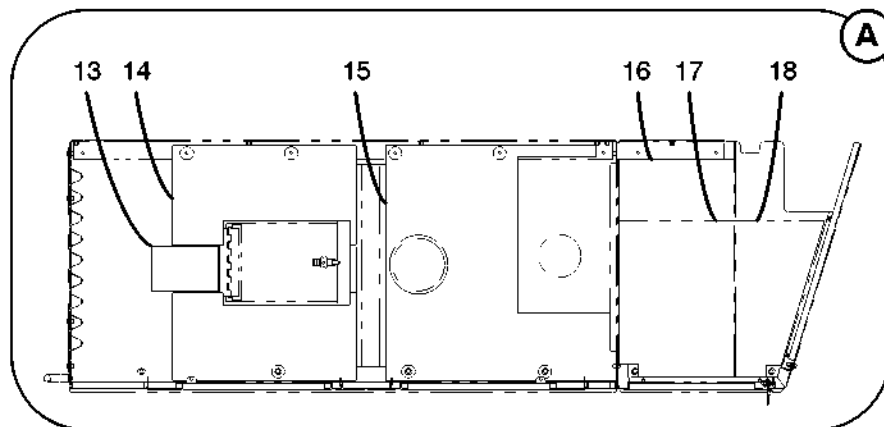
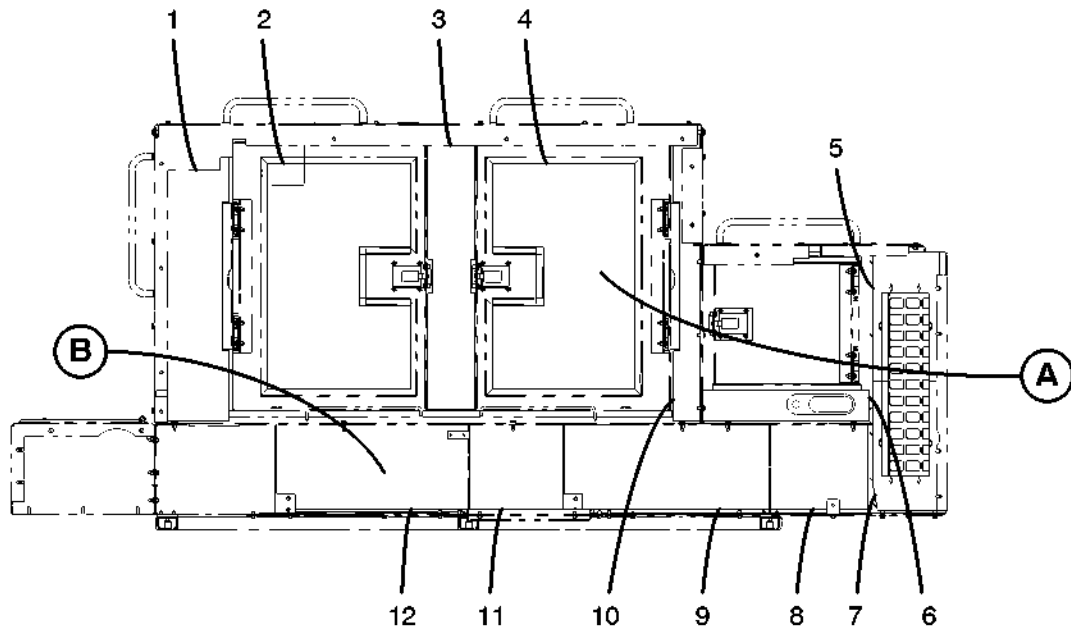


Parts List

1109

| Boom Control Storage Box Installation | | | | | |
|---------------------------------------|-----------|---------|-----------------------------------|---------|--------|
| REF | PART NO. | QTY | DESCRIPTION | REMARKS | |
| 1 | J8B0229 | 1 | Upper Storage Box Assy | | |
| | N3A1100 | 1 | Latch | | |
| | 3A 25516 | 1 | Key | | |
| 2 | J8B0227 | 1 | Lid | | |
| 3 | 1X 7905 | 4 | Screw, Machine | | |
| | 1X 1776 | 8 | Washer | | |
| | 31J1849 | 4 | Washer, Nylon | | |
| 4 | 1X 4638 | 4 | Locknut | | |
| | 824056001 | 2 | Trim – 1.6' | | |
| | 1X 7905 | 4 | Screw, Machine | | |
| 5 | 1X 1776 | 8 | Washer | | |
| | 1X 4638 | 4 | Locknut | | |
| | J8B0230 | 1 | Hinge | | |
| 7 | J8B0226 | 1 | Box, Storage | | |
| 8 | 128003004 | 4 | Washer | | |
| | 46L0026 | 4 | Washer, Nylon | | |
| | 127004003 | 4 | Locknut | | |
| 9 | J7R0054 | 1 | Hand Held Box S/A | | NSS |
| | J7R0055 | 1 | Connector | | |
| | 829045012 | 1 | Cord, Service – 25' | | |
| 11 | J7R0053 | 1 | Relief, Strain | | |
| 12 | J7R0052 | 1 | Box, Hand Held | | |
| 13 | R3R0061 | 1 | Manual Boom Controller S/A | NSS | |
| | N3P0242 | 1 | Label, Caution | | |
| | 14 | 45J0781 | 1 | | Switch |
| 15 | 38J0630 | 1 | Boot, Rubber | | |
| | 47R0107 | 1 | Switch | | |
| | 38J0630 | 1 | Boot, Rubber | | |
| 16 | N4R0084 | 6 | Lens, Green | | |
| | N4R0081 | 6 | Base, Lamp | | |
| | N4R0082 | 6 | Lamp, LED | | |
| 17 | 58R0120 | 1 | Switch | | |
| | 38J0630 | 1 | Boot, Rubber | | |
| | 18 | 45J0781 | 1 | | Switch |
| 19 | 38J0630 | 1 | Boot, Rubber | | |
| | R3R0063 | 1 | Harness, Manual Boom Control Wire | | |
| | N3R0066 | 2 | Relay – Pin/Latch | | |
| 20 | R3P0047 | 1 | Label, Manual Boom Control Box | | |
| 21 | N4R0080 | 2 | Handle | | |
| 22 | R3R0062 | 1 | Box, Control | | |

Upper Acoustic Installation

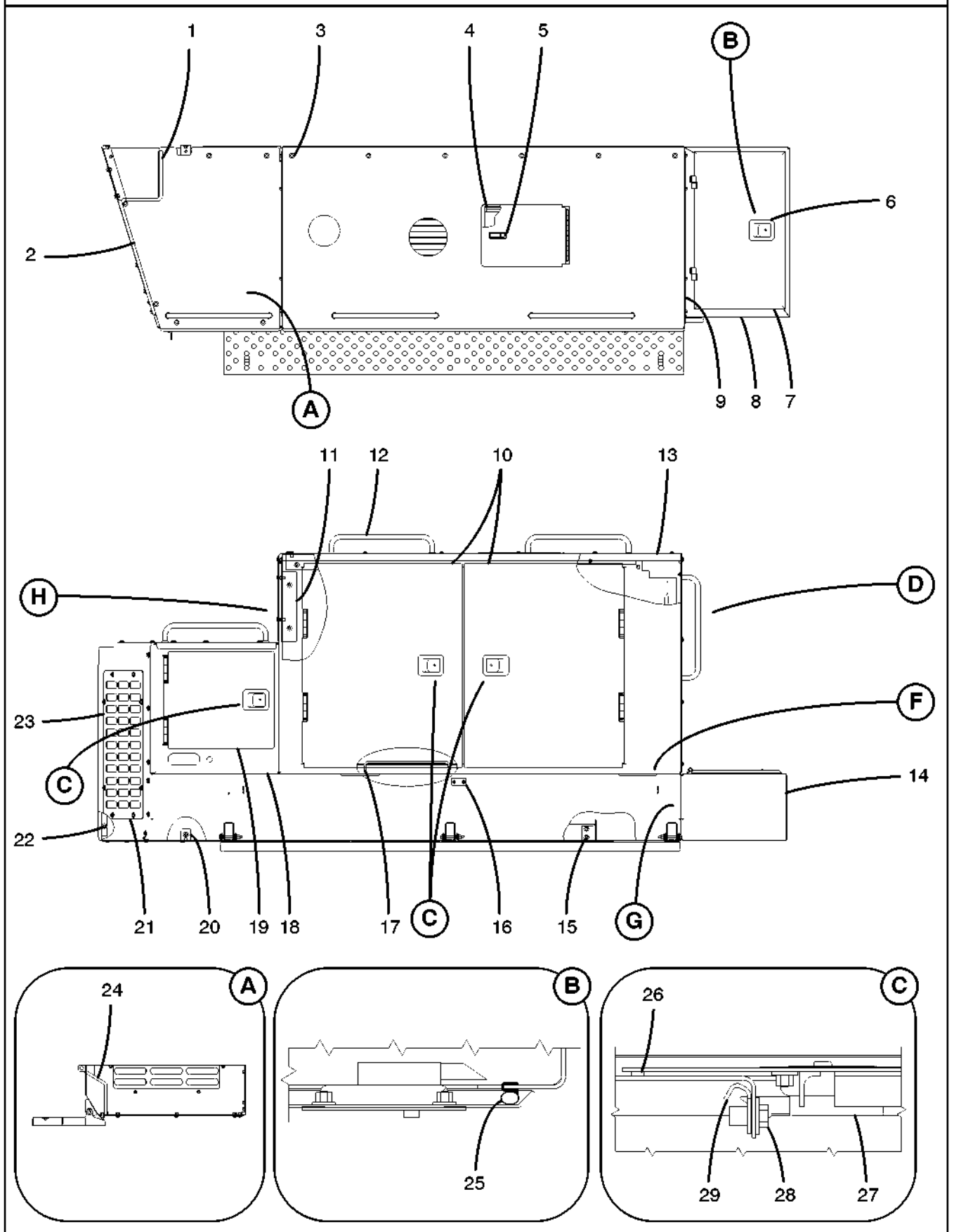


Parts List

1209

| Upper Acoustic Installation | | | | |
|-----------------------------|----------|-----|-----------------------|---------|
| REF | PART NO. | QTY | DESCRIPTION | REMARKS |
| 1 | R3B0071 | 1 | Pad, Sound Absorption | |
| 2 | R3B0068 | 1 | Pad, Sound Absorption | |
| 3 | R3B0070 | 1 | Pad, Sound Absorption | |
| 4 | R3B0069 | 1 | Pad, Sound Absorption | |
| 5 | R3B0094 | 1 | Pad, Sound Absorption | |
| 6 | R3B0077 | 1 | Pad, Sound Absorption | |
| 7 | R3B0095 | 1 | Pad, Sound Absorption | |
| 8 | R3B0076 | 1 | Pad, Sound Absorption | |
| 9 | R3B0081 | 1 | Pad, Sound Absorption | |
| 10 | R3B0072 | 1 | Pad, Sound Absorption | |
| 11 | R3B0082 | 1 | Pad, Sound Absorption | |
| 12 | R3B0083 | 1 | Pad, Sound Absorption | |
| 13 | R3B0100 | 1 | Pad, Sound Absorption | |
| 14 | R3B0074 | 1 | Pad, Sound Absorption | |
| 15 | R3B0075 | 1 | Pad, Sound Absorption | |
| 16 | R3B0078 | 1 | Pad, Sound Absorption | |
| 17 | R3B0079 | 1 | Pad, Sound Absorption | |
| 18 | R3B0080 | 1 | Pad, Sound Absorption | |
| 19 | R3B0093 | 1 | Pad, Sound Absorption | |
| 20 | R3B0092 | 1 | Pad, Sound Absorption | |
| 21 | R3B0091 | 1 | Pad, Sound Absorption | |

Right Side Sheet Metal Installation

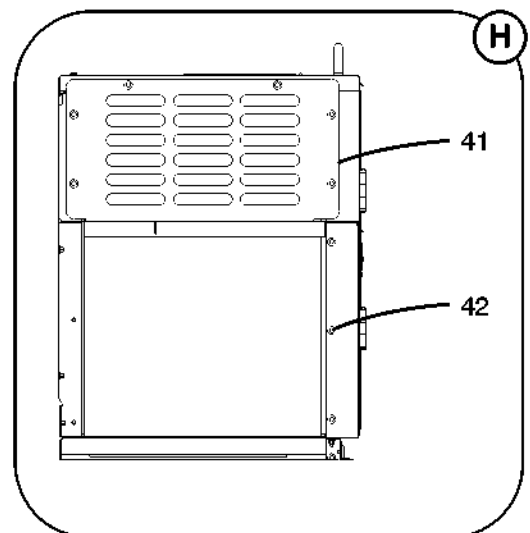
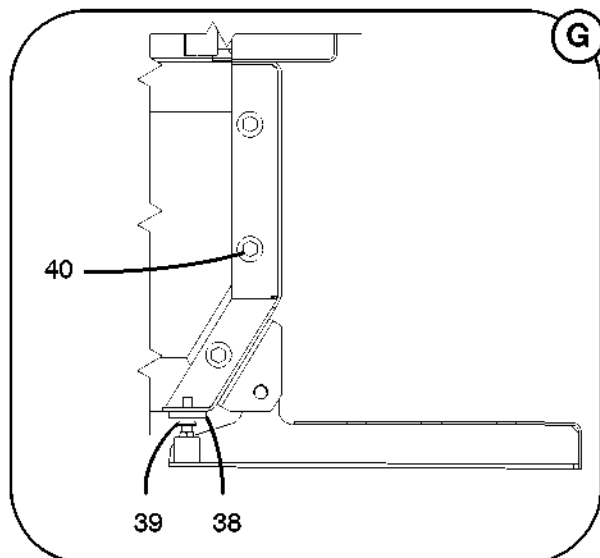
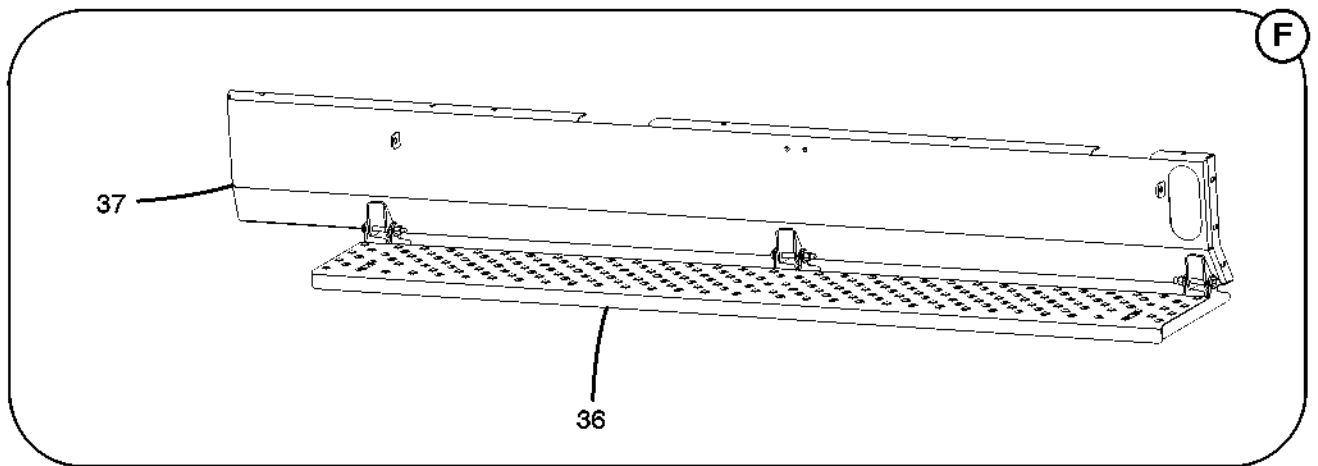
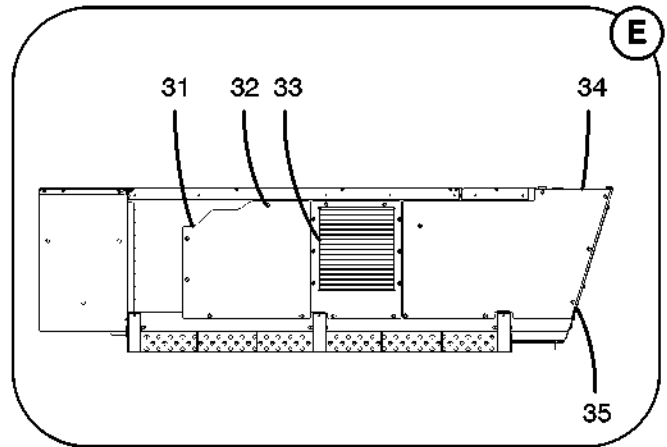
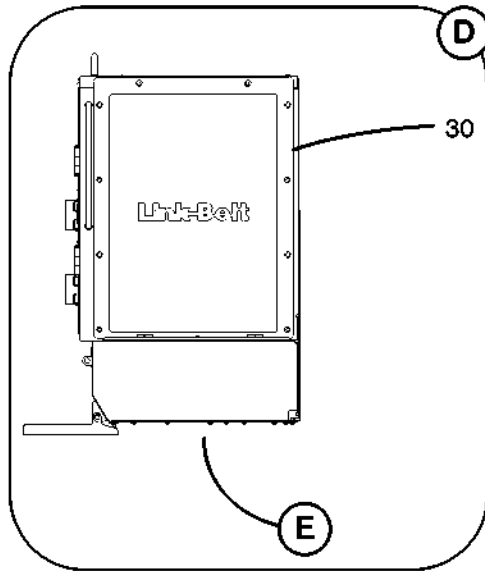


Parts List

0110

| Right Side Sheet Metal Installation | | | | |
|-------------------------------------|-----------|-----|---------------------|---------|
| REF | PART NO. | QTY | DESCRIPTION | REMARKS |
| 1 | 824025005 | 1 | Trim – 1.6' | |
| 2 | J7B0173 | 1 | Cover, Top | |
| | 126009012 | 6 | Capscrew | |
| | 128003004 | 6 | Washer | |
| 3 | 126009012 | 6 | Capscrew | |
| | 128003004 | 6 | Washer | |
| 4 | 824033014 | 2 | Weatherstrip – 0.9' | |
| 5 | 28A5334 | 1 | Latch, Lever | |
| 6 | 59A1750 | 1 | Lock, Flush | |
| | 0001250 | 1 | Key | |
| | 128003001 | 4 | Washer | |
| | 127004001 | 4 | Locknut | |
| | J7B0131 | 1 | Battery Box S/A | NSS |
| 7 | J7B0162 | 1 | Door | |
| | 69A0261 | 2 | Pin, Hinge | |
| 8 | J7B0276 | 1 | Box, Battery | |
| | R3B0038 | 1 | Hood S/A | NSS |
| 9 | R3B0039 | 1 | Hood | |
| 10 | R3B0043 | 2 | Door | |
| | 126009014 | 8 | Capscrew | |
| | 128003004 | 8 | Washer | |
| 11 | J7B0179 | 1 | Mount, Rear | |
| | 128003004 | 3 | Washer | |
| | 127004003 | 3 | Locknut | |
| 12 | D7A0462 | 4 | Handle, Grab | |
| | 126009014 | 8 | Capscrew | |
| | 128003004 | 8 | Washer | |
| 13 | J7B0287 | 1 | Mount, Side | |
| | 128003004 | 7 | Washer | |
| | 127004003 | 7 | Locknut | |
| 14 | 128003004 | 4 | Washer | |
| | 127004003 | 4 | Locknut | |
| 15 | 128003004 | 4 | Washer | |
| | 127004003 | 4 | Locknut | |
| 16 | J7B0123 | 1 | Pad, Nylon | |
| | 1X 0651 | 2 | Screw | |
| 17 | J7B0250 | 2 | Rod, Prop | |
| | 1X 1086 | 2 | Pin, Cotter | |
| | J7B0181 | 1 | Front Panel S/A | NSS |
| 18 | J7B0175 | 1 | Panel, Front | |
| 19 | J7B0174 | 1 | Door | |
| | 126009014 | 4 | Capscrew | |
| | 128003004 | 4 | Washer | |
| 20 | J7B0195 | 1 | Bracket | |
| | 128003004 | 1 | Washer | |
| | 127004003 | 1 | Locknut | |
| 21 | J7B0168 | 1 | Grille | |
| | 126009012 | 8 | Capscrew | |
| | 128003004 | 8 | Washer | |

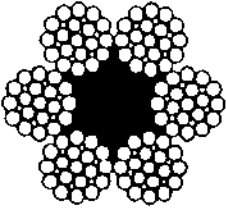
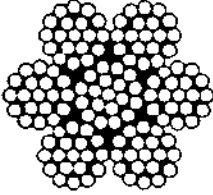
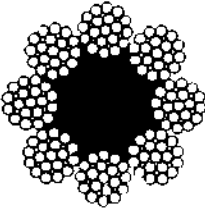
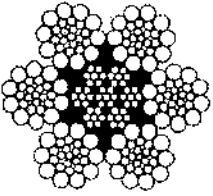
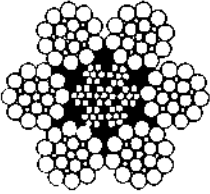
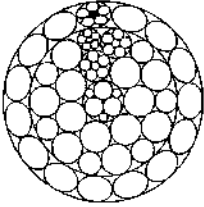
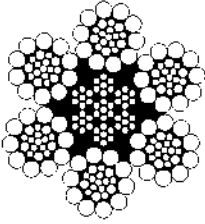
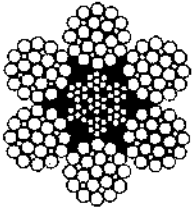
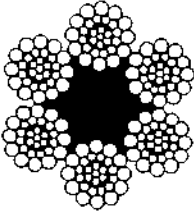
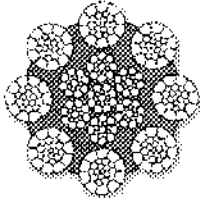
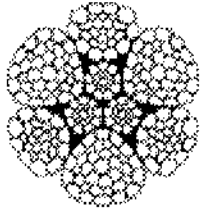
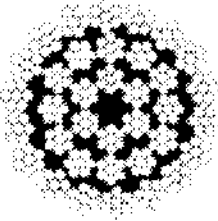
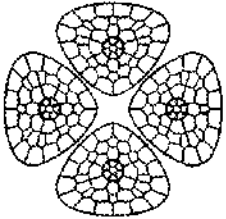
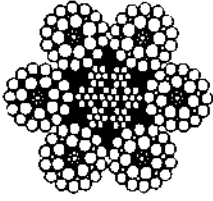
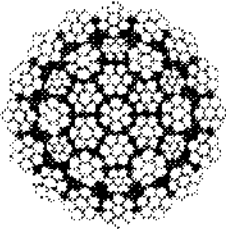
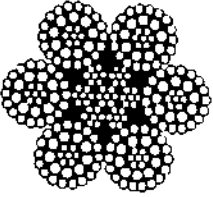
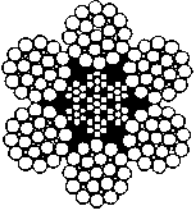
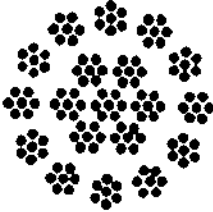
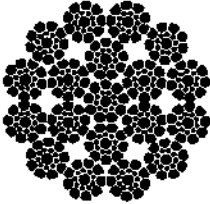
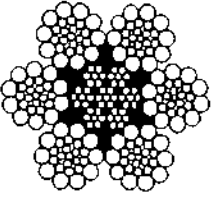
Right Side Sheet Metal Installation



Parts List

0110

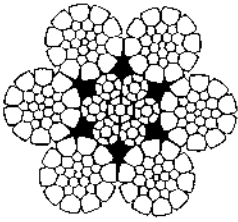
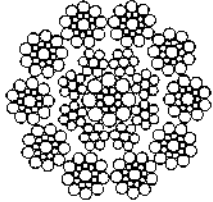
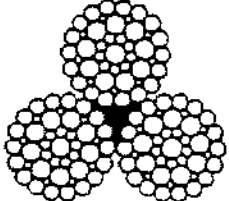
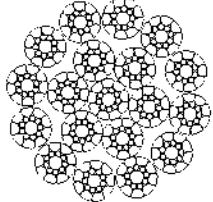
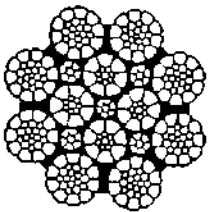
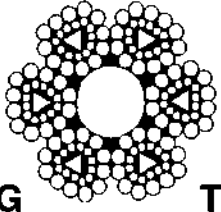
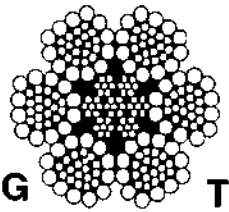
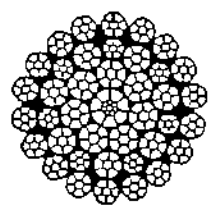
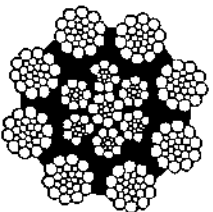
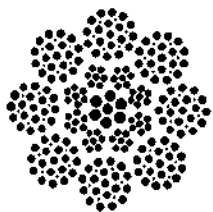
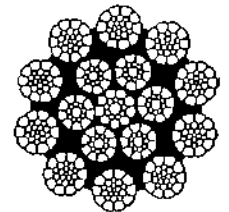
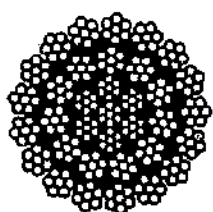
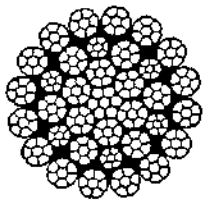
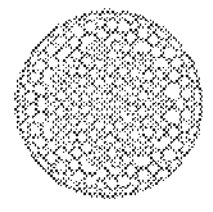
| Right Side Sheet Metal Installation | | | | |
|-------------------------------------|-----------|-----|--|---------|
| REF | PART NO. | QTY | DESCRIPTION | REMARKS |
| 22 | 128003004 | 4 | Washer | |
| | 127004003 | 4 | Locknut | |
| 23 | J7B0169 | 1 | Plate, End | |
| | 126009014 | 6 | Capscrew | |
| | 128003004 | 12 | Washer | |
| | 127004003 | 6 | Locknut | |
| 24 | 824025005 | 1 | Trim – 1.03' | |
| 25 | 824009001 | 1 | Weatherstrip – 7.7' | |
| 26 | 824033014 | 1 | Weatherstrip – 5.3' – Use With Small Door | |
| | 824033014 | 2 | Weatherstrip – 8.7' – Use With Large Doors | |
| 27 | 59A1750 | 3 | Lock, Flush | |
| | 0001250 | 1 | Key | |
| | 128003001 | 12 | Washer | |
| | 127004001 | 12 | Locknut | |
| 28 | 126009012 | 6 | Capscrew | |
| | 128003004 | 6 | Washer | |
| 29 | R3B0098 | 3 | Latch Plate Assy | |
| | D7A0041 | 2 | Insert, Threaded | |
| 30 | R3B0050 | 1 | Grille | |
| | 126009012 | 10 | Capscrew | |
| | 128003004 | 10 | Washer | |
| 31 | R3B0084 | 1 | Cover Panel Assy | |
| | D7A0041 | 3 | Insert, Threaded | |
| 32 | 126009012 | 5 | Capscrew | |
| | 128003004 | 5 | Washer | |
| 33 | R3B0085 | 1 | Panel, Louver | |
| | 126009012 | 10 | Capscrew | |
| | 128003004 | 10 | Washer | |
| 34 | R3B0089 | 1 | Cover Panel Assy | |
| | D7A0041 | 3 | Insert, Threaded | |
| 35 | 126009012 | 7 | Capscrew | |
| | 128003004 | 7 | Washer | |
| | J7B0265 | 1 | Lower Right Side Panel S/A | NSS |
| 36 | J7B0245 | 1 | Step | |
| 37 | J7B0266 | 1 | Panel, Lower Right | |
| | 126009014 | 6 | Capscrew | |
| | 128003004 | 12 | Washer | |
| | 127004003 | 6 | Locknut | |
| 38 | J7B0123 | 3 | Pad, Nylon | |
| | 1X 0651 | 6 | Screw | |
| 39 | F6A0076 | 3 | Screw | |
| | 1X 0182 | 3 | Nut, Jam | |
| 40 | 126009014 | 3 | Capscrew | |
| | 128003004 | 6 | Washer | |
| | 127004003 | 3 | Locknut | |
| 41 | J7B0081 | 1 | Grille | |
| | 126009012 | 6 | Capscrew | |
| | 128003004 | 6 | Washer | |
| 42 | 126009012 | 3 | Capscrew | |
| | 128003004 | 3 | Washer | |

| Wire Rope Specifications | | | |
|---|---|--|---|
|  |  |  |  |
| A | Aircord | B | BC |
|  |  |  |  |
| C,D,F,M,N | CC | DB | DC |
|  |  |  |  |
| E | EC | FC | GB |
|  |  |  |  |
| GC | H,R,S | HC | J |
|  |  |  |  |
| JB,W | K,P | KB,RB | L |

Parts List

0408

Wire Rope Specifications

| | | | |
|---|---|---|--|
|  |  |  |  |
| LB | MB | NB,Z | PB |
|  |  |  |  |
| SB,TB | G T Style B | G T Style V | VB |
|  |  |  |  |
| WB | X | XB | Y |
|  |  | | |
| YB | ZB | | |



Right Regular Lay Left Regular Lay Right Lang Lay Left Lang Lay Alternate (Reverse) Lay

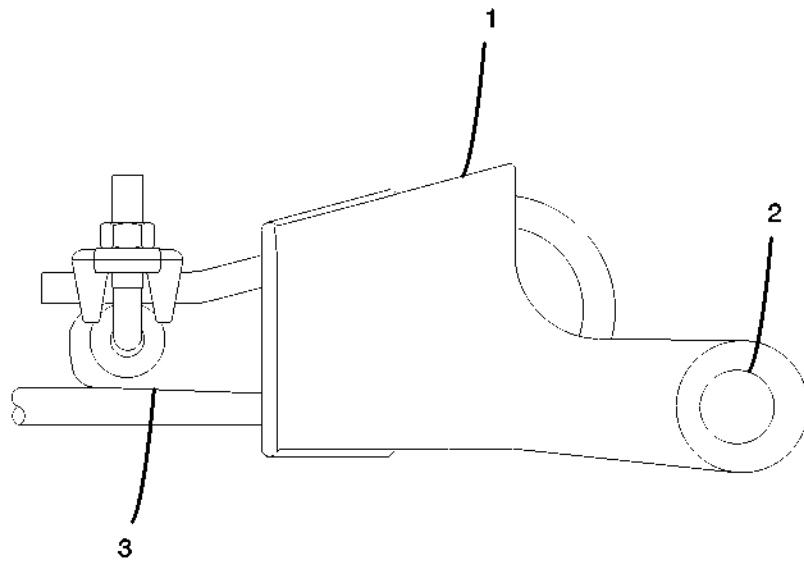
| Wire Rope Specifications | |
|--------------------------|---|
| TYPE | DESCRIPTION |
| A | Use Type "N" |
| Aircord | 7 X 19, Preformed, Carbon Steel, Galvanized |
| B | 8 X 25 (8 X 19 Class), Filler Wire, I.P.S., Preformed, Fiber Center, Right Lay, Regular Lay |
| BC | 6 X 26 (6 X 19 Class), E.E.I.P.S., Preformed, Right Regular Lay, I.W.R.C. |
| C | 6 X 25 (6 X 19 Class), Filler Wire, I.P.S., I.W.R.C., Regular Lay |
| CC | 36 X 7 Non-Rotating, E.E.I.P.S., Right Regular Lay, Compacted |
| D | Use Type "M" |
| DB | 6 X 26 (6 X 19 Class), Warrington Seale, E.I.P.S., Preformed, Right Regular Lay, I.W.R.C. |
| DC | 6 X 25 (6 X 19 Class), Filler Wire, E.E.I.P.S., XXIP, Preformed, I.W.R.C., Right Lay, Regular Lay |
| E | 6 X 31 (6 X 37 Class), Flexible Seale, I.P.S., Fiber Center, Regular Lay |
| EC | 6 Strand, Compacted Strand, Swaged, Preformed, I.W.R.C., Right Lay, Regular Lay |
| F | Use Type "N" |
| FC | 6 Strand, Compacted Strand, Swaged, Preformed, I.W.R.C., Right Lay, Regular Lay |
| G, Style B | 6 X 25 Flattened Strand, I.P.S., I.W.R.C., Lang Lay, Up to 3/4" Dia. |
| G, Style V | 6 X 31 Flattened Strand, E.I.P.S., Preformed, I.W.R.C., Right Lay, Lang Lay, 7/8" Dia. & Larger |
| GB | 36 X 7 Rotation Resistant, Core Strand: Left Lay, Center Layer of 6 Strands: Left Lay, Intermediate Layer of 12 Strands: Left Regular Lay, Outer Layer of 17 Strands: Right Regular Lay |
| GC | 4 Strand, Compacted Strand, Swaged, Preformed, Right Lay, Regular Lay |
| H | 6 X 36 (6 X 37 Class), Filler Wire, I.P.S., I.W.R.C., Regular Lay |
| HC | 35 X 7 Rotation Resistant, Compacted Outer Strands, I.W.R.C., Right Lang Lay |
| J | 6 X 43 (6 X 37 Class), Filler Wire, I.P.S., I.W.R.C., Regular Lay |
| JB | 6 X 26 (6 X 19 Class), Preformed, I.W.R.C., Right Lay, Alternate Lay |
| K | 19 X 7 Non-Rotating, I.P.S., Wire Center Core |
| KB | Rotation Resistant, Wire Strand Core (WSC) |
| L | 6 X 21 (6 X 19 Class), Filler Wire, E.I.P.S., I.W.R.C., Lang Lay |
| LB | 6 Strand, Compacted Strand, Seale or Warrington Seale, I.W.R.C., Preformed, Right Lay, Regular Lay |
| M | 6 X 25 (6 X 19 Class), Filler Wire, E.I.P.S., Preformed, I.W.R.C., Right Lay, Lang Lay |
| MB | 10 X 19 Rotation Resistant, E.I.P.S. |
| N | 6 X 25 (6 X 19 Class), Filler Wire, E.I.P.S., Preformed, I.W.R.C., Right Lay, Regular Lay |
| NB | 3 X 46, Torque Balanced, No Core, E.I.P.S., Preformed, Pretensioned, Right Regular Lay |
| P | 19 X 7 Rotation Resistant, E.I.P.S., Preformed, Wire Strand Core (WSC) |
| PB | 19 X 19 Rotation Resistant, E.I.P.S., Preformed, Right Lay, Regular Lay, Swaged, Inner 7 Strands: Left Lang Lay, Outer 12 Strands: Right Regular Lay |
| R | 6 X 36 (6 X 37 Class), Filler Wire, E.I.P.S., I.W.R.C., Regular Lay |
| RB | 18 X 19 Rotation Resistant, E.E.I.P.S., Preformed, Right Lay, Regular Lay, Swaged |
| S | 6 X 36 (6 X 37 Class), Filler Wire, E.I.P.S., I.W.R.C., Lang Lay |
| SB | 8 Strand, Preformed, Right Lay, Regular Lay |

Parts List

0408

| Wire Rope Specifications | |
|--|--|
| TYPE | DESCRIPTION |
| T, Style B | 6 X 25 Flattened Strand, E.I.P.S., I.W.R.C., Lang Lay, Up To 3/4" Dia. |
| T, Style V | 6 X 31 Flattened Strand, E.I.P.S., Preformed, I.W.R.C., Right Lay, Lang Lay, 7/8" Dia. & Larger |
| TB | 8 Strand, Preformed, Right Lay, Regular Lay |
| VB | 28 mm Diameter, Flexible, Rotation Resistant, Regular Lay |
| W | 6 X 26 (6 X 19 Class), E.I.P.S., Preformed, I.W.R.C., Right Lay, Alternate Lay |
| WB | 8 Strand, Preformed, Regular Lay |
| X | 8 X 25 (8 X 19 Class), E.I.P.S., I.W.R.C., Regular Lay |
| XB | 10 Strand, Preformed, Regular Lay |
| Y | 35 X 7 Non-Rotating, Special Tensile Formset, Core Strand: Left Direction, Center Layer of 6 Strands: Left Direction, Intermediate Layer of 11 Strands: Left Direction, Outer Layer of 17 Strands: Right Direction |
| YB | 34 X 7 (6/1) Rotation Resistant, Wire Rope Core 34 X 19 (9/9/1) Wire Strand Core (WSC) (1-1/2" Dia. Rope) |
| Z | 3 X 46 E.I.P.S., No Core, Pretensioned, Regular Lay |
| ZB | 34 X 7 Non-Rotating, E.I.P.S., Right Regular Lay or Right Lang Lay |
| <p>NOTE: All Types Are Right Lay & Preformed Except K, P, & Y Where Inner 7 Strands Are Left Lang Lay And Outer 12 Are Right Regular Lay.</p> <p>I.P.S. = Improved Plow Steel. I.W.R.C. = Independent Wire Rope Core E.I.P.S. = Extra Improved Plow Steel E.E.I.P.S. = Extra Extra Improved Plow Steel</p> | |

Terminator Socket & Wedge & Drum Wedge



Parts List

0606

| Terminator Socket & Wedge & Drum Wedge | | | | |
|--|----------|-----|--------------------------------|---------|
| REF | PART NO. | QTY | DESCRIPTION | REMARKS |
| 1 | J7Y0002 | 1 | Terminator Socket & Wedge Assy | |
| 2 | 3Y 0154 | 1 | Pin With Cotter Pin | |
| 3 | 3Y 0157 | 1 | Wedge & Clip | |
| | J7Y0001 | 1 | Wedge, Drum – Not Shown | |

Wire Rope – Type RB – 850 Ft

No Illustration Required

Parts List

1105

Wire Rope – Type RB – 850 Ft

| REF | PART NO. | QTY | DESCRIPTION | REMARKS |
|-----|-----------|-----|--------------------------------------|---------|
| | 990797417 | 1 | Wire Rope, Type RB – .88" Dia x 850' | |

Wire Rope – Type RB – 600 Ft

No Illustration Required

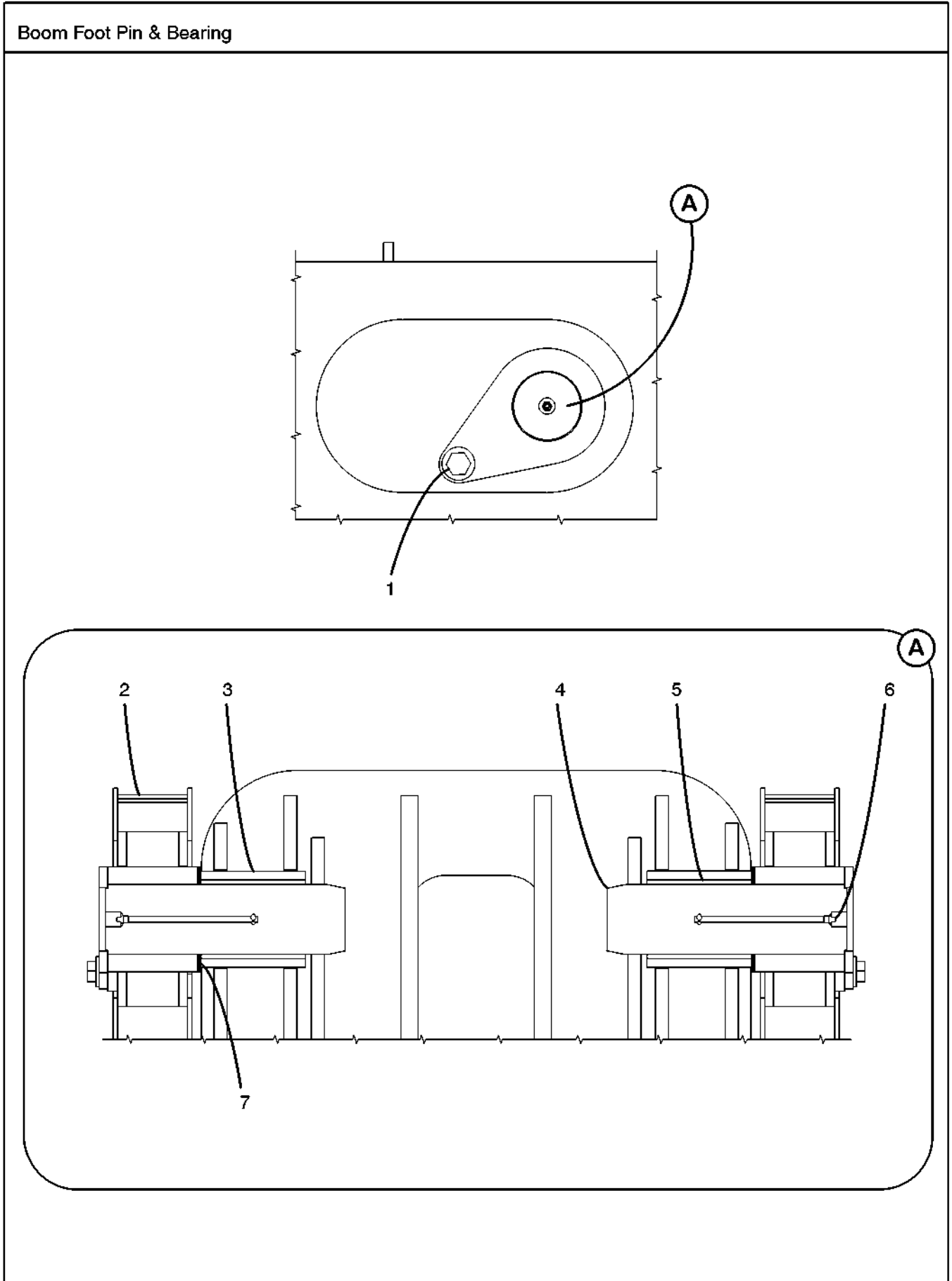
Parts List

1007

Wire Rope – Type RB – 600 Ft

| REF | PART NO. | QTY | DESCRIPTION | REMARKS |
|-----|-----------|-----|---------------------------------------|---------|
| | 990797433 | 1 | Rope, Type RB Wire – 0.88" Dia x 600' | |

Boom Foot Pin & Bearing

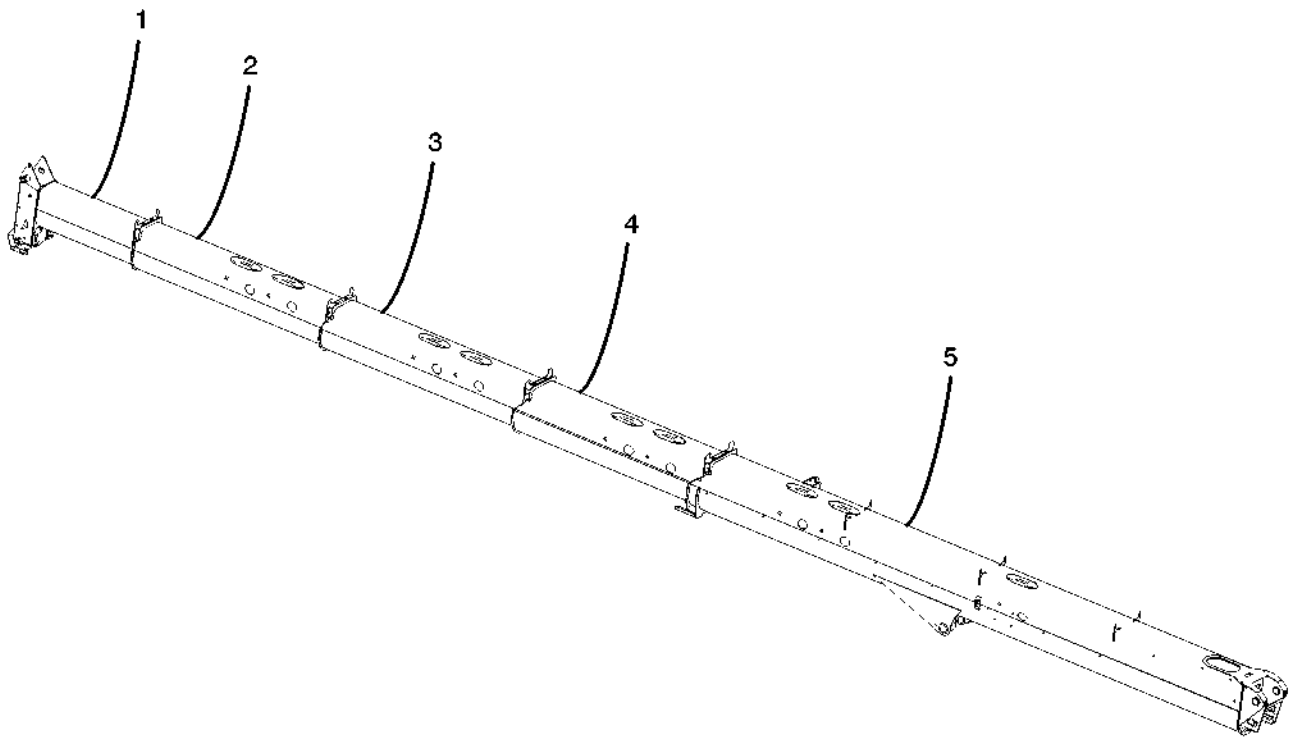


Parts List

0302

| Boom Foot Pin & Bearing | | | | |
|-------------------------|-----------|-----|-----------------|---------|
| REF | PART NO. | QTY | DESCRIPTION | REMARKS |
| 1 | 126009057 | 2 | Capscrew | |
| | 128003009 | 2 | Washer | |
| 2 | REF | | Upper Frame | |
| 3 | REF | | Boom Base | |
| 4 | J7M1300 | 2 | Pin | |
| 5 | 53M0073 | 2 | Bushing | |
| 6 | 1X 0812 | 2 | Fitting, Grease | |
| 7 | 46M0440 | 6 | Washer, Thrust | |

Base Section

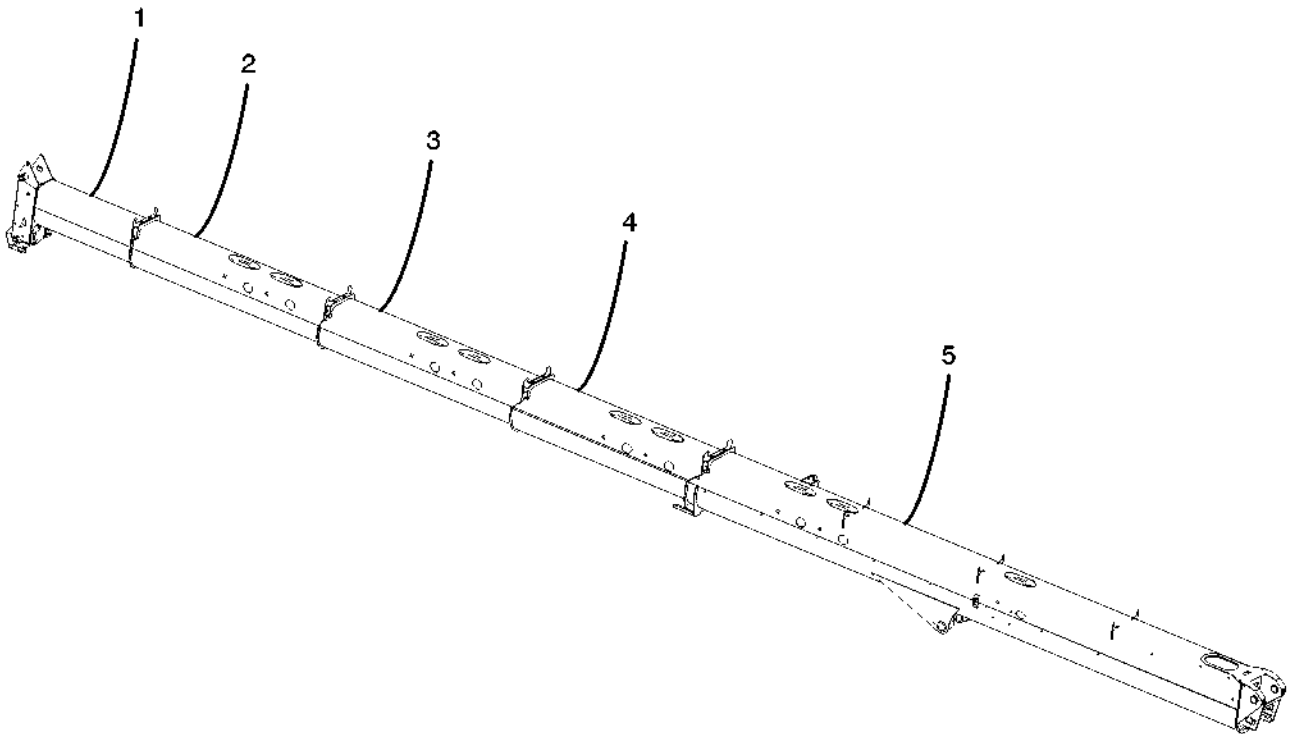


Parts List

0510

| Base Section | | | | |
|--------------|----------|-----|----------------|---------|
| REF | PART NO. | QTY | DESCRIPTION | REMARKS |
| 1 | REF | | Tip Section | |
| 2 | REF | | Outer Section | |
| 3 | REF | | Center Section | |
| 4 | REF | | Inner Section | |
| 5 | R3M1119 | 1 | Section, Base | |

Inner Section

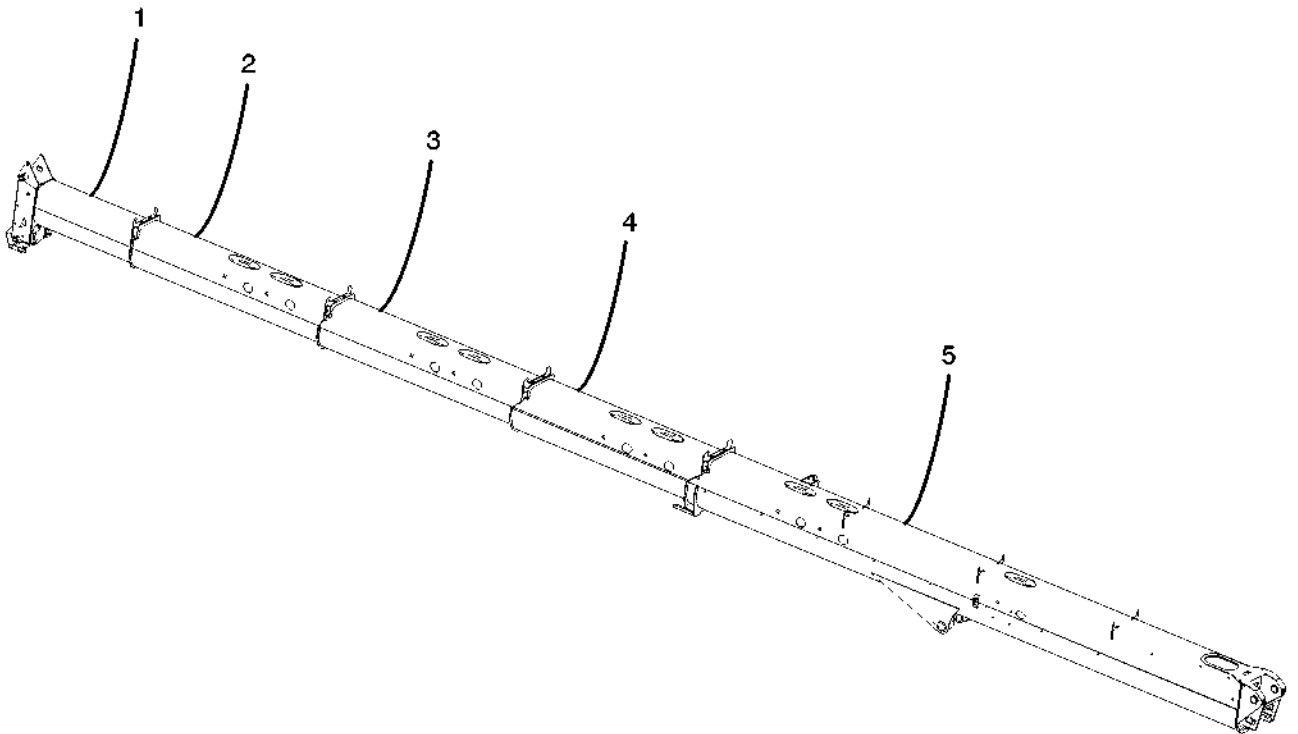


Parts List

1208

| Inner Section | | | | |
|---------------|----------|-----|----------------|---------|
| REF | PART NO. | QTY | DESCRIPTION | REMARKS |
| 1 | REF | | Tip Section | |
| 2 | REF | | Outer Section | |
| 3 | REF | | Center Section | |
| 4 | R3M0860 | 1 | Section, Inner | |
| 5 | REF | | Base Section | |

Center Section

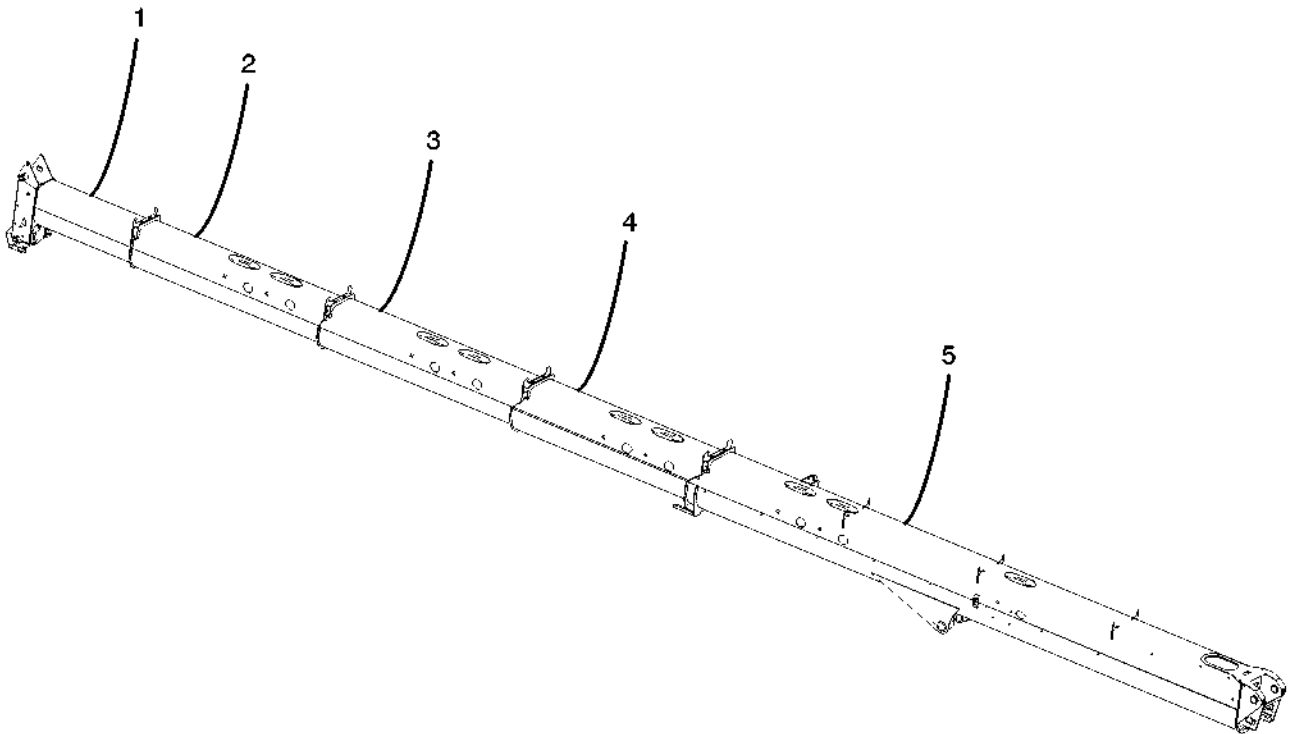


Parts List

1208

| Center Section | | | | |
|----------------|----------|-----|-----------------|---------|
| REF | PART NO. | QTY | DESCRIPTION | REMARKS |
| 1 | REF | | Tip Section | |
| 2 | REF | | Outer Section | |
| 3 | R3M0859 | 1 | Section, Center | |
| 4 | REF | | Inner Section | |
| 5 | REF | | Base Section | |

Outer Section

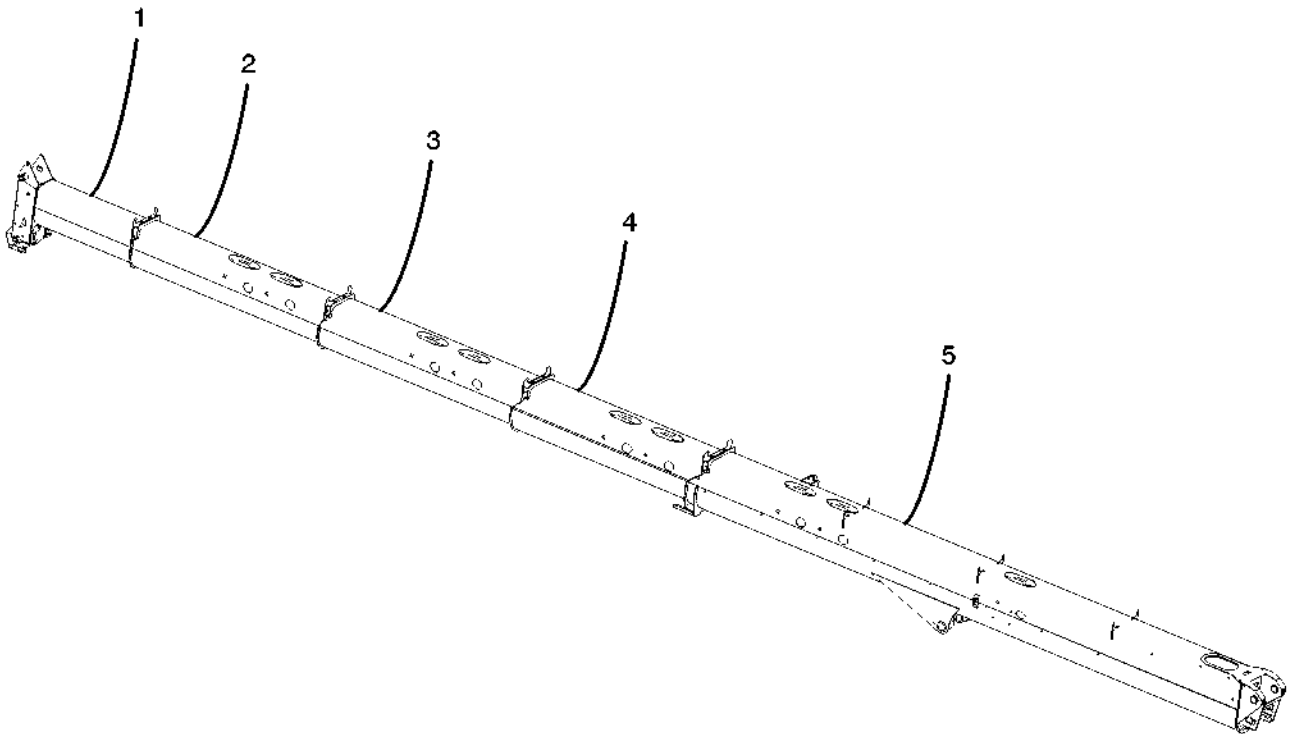


Parts List

1208

| Outer Section | | | | |
|---------------|----------|-----|----------------|---------|
| REF | PART NO. | QTY | DESCRIPTION | REMARKS |
| 1 | REF | | Tip Section | |
| 2 | R3M0858 | 1 | Section, Outer | |
| 3 | REF | | Center Section | |
| 4 | REF | | Inner Section | |
| 5 | REF | | Base Section | |

Tip Section

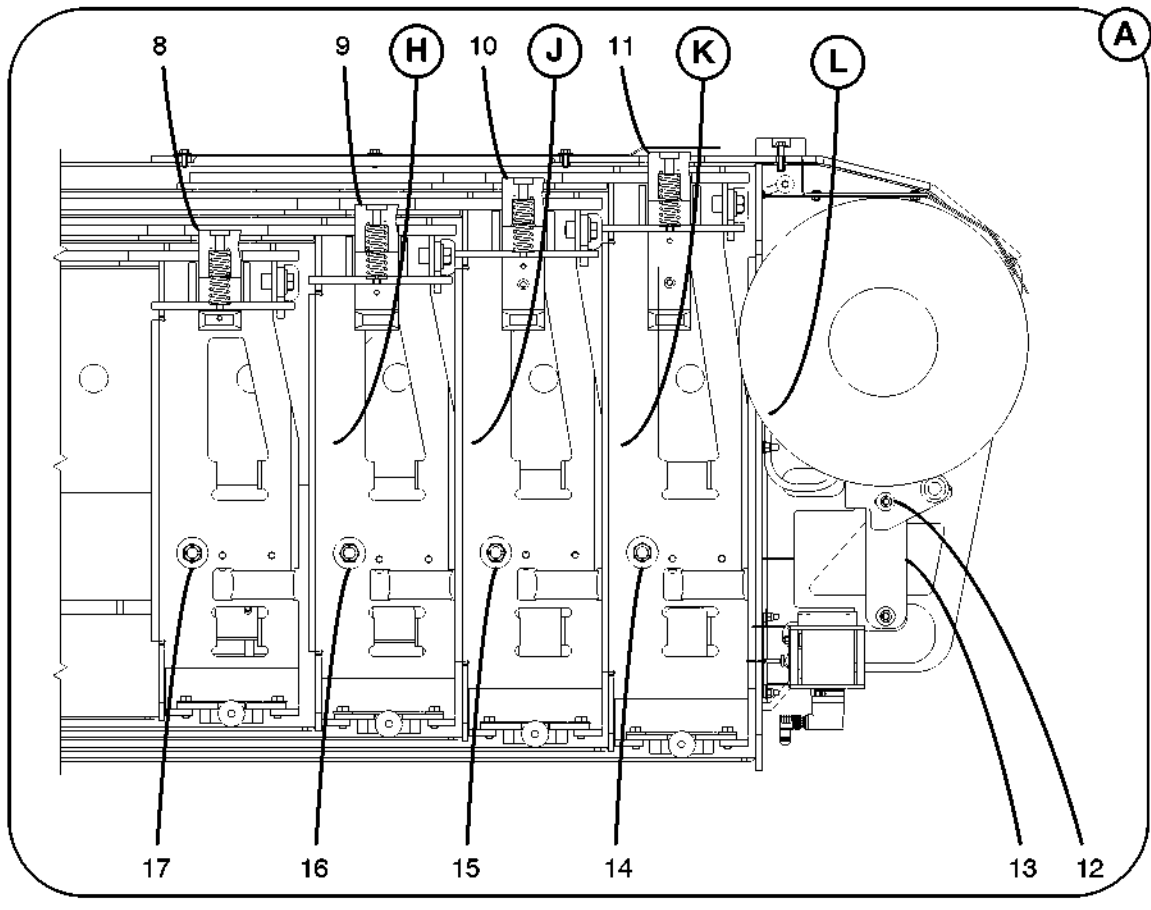
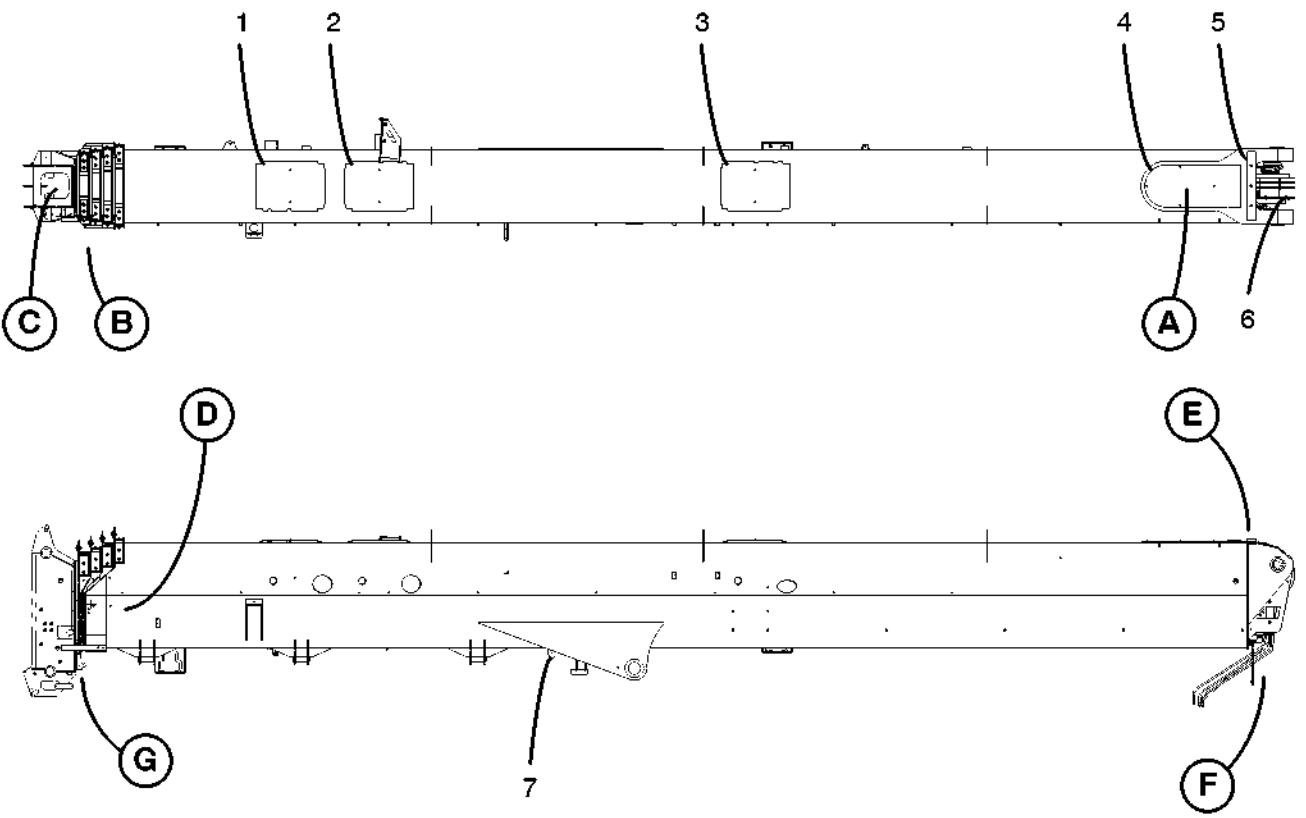


Parts List

0809

| Tip Section | | | | |
|-------------|----------|-----|----------------|---------|
| REF | PART NO. | QTY | DESCRIPTION | REMARKS |
| 1 | R3M1088 | 1 | Section, Tip | |
| 2 | REF | | Outer Section | |
| 3 | REF | | Center Section | |
| 4 | REF | | Inner Section | |
| 5 | REF | | Base Section | |

5 Section Boom Assy

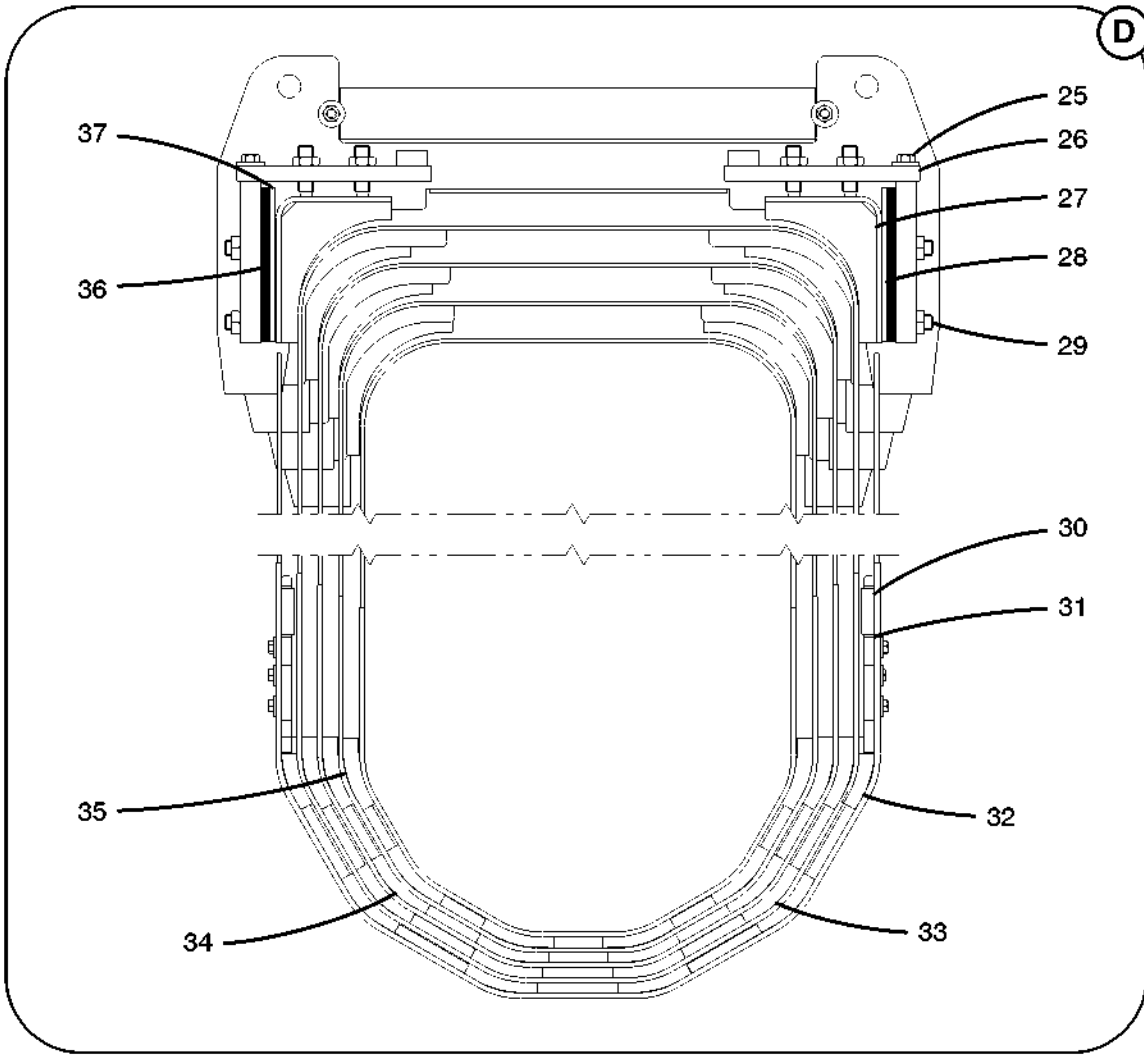
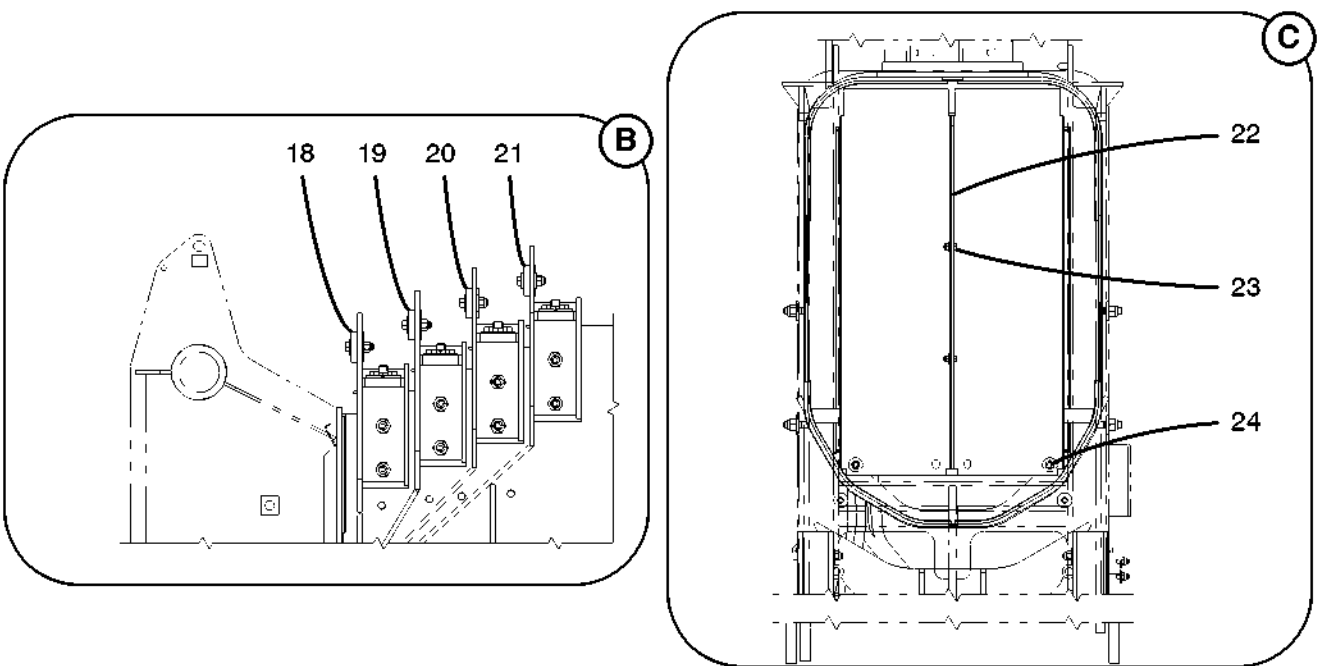


Parts List

0410

| 5 Section Boom Assy | | | | |
|---------------------|-----------|-----|---------------------|---------|
| REF | PART NO. | QTY | DESCRIPTION | REMARKS |
| 1 | R3M0964 | 1 | Cover, Pin Hole | |
| | 128003004 | 2 | Washer | |
| 2 | R3M0964 | 1 | Cover, Pin Hole | |
| | 128003004 | 2 | Washer | |
| 3 | R3M0964 | 1 | Cover, Pin Hole | |
| | 128003004 | 2 | Washer | |
| 4 | R3M0963 | 1 | Cover, Base | |
| | 126009013 | 4 | Capscrew | |
| | 128003004 | 4 | Washer | |
| 5 | R3M0076 | 1 | Pad, Wear | |
| | 126009016 | 3 | Capscrew | |
| | 128003004 | 6 | Washer | |
| | 127004003 | 3 | Locknut | |
| 6 | 1N 1065 | 2 | Clamp | |
| | 126009002 | 2 | Capscrew | |
| | 128003001 | 4 | Washer | |
| | 127004001 | 2 | Locknut | |
| 7 | J7M1270 | 2 | Plate | |
| | 126009097 | 4 | Capscrew | |
| | 128003002 | 8 | Washer | |
| | 127004002 | 4 | Locknut | |
| 8 | R3M1093 | 1 | Plate | |
| | N3M0326 | 1 | Spring, Compression | |
| 9 | R3M1076 | 1 | Plate | |
| | N3M0326 | 1 | Spring, Compression | |
| 10 | R3M1077 | 1 | Plate | |
| | N3M0326 | 1 | Spring, Compression | |
| 11 | R3M1078 | 1 | Plate | |
| | N3M0326 | 1 | Spring, Compression | |
| 12 | 126009038 | 1 | Capscrew | |
| 13 | R3M0874 | 2 | Plate | |
| | 126009034 | 3 | Capscrew | |
| | 128003006 | 8 | Washer | |
| | 127004005 | 4 | Locknut | |
| 14 | N3M0355 | 2 | Follower, Cam | |
| | 1X 4978 | 2 | Locknut | |
| 15 | N3M0355 | 2 | Follower, Cam | |
| | 1X 4978 | 2 | Locknut | |
| 16 | N3M0355 | 2 | Follower, Cam | |
| | 1X 4978 | 2 | Locknut | |
| 17 | N3M0355 | 2 | Follower, Cam | |
| | 1X 4978 | 2 | Locknut | |
| 18 | N3M0459 | 1 | Pad, Wear | |
| | 126009030 | 2 | Capscrew | |
| | 128003006 | 4 | Washer | |
| | 127004005 | 2 | Locknut | |
| 19 | N3M0459 | 1 | Pad, Wear | |
| | 126009030 | 2 | Capscrew | |
| | 128003006 | 4 | Washer | |
| | 127004005 | 2 | Locknut | |
| 20 | N3M0459 | 1 | Pad, Wear | |
| | 126009030 | 2 | Capscrew | |
| | 128003006 | 4 | Washer | |
| | 127004005 | 2 | Locknut | |

5 Section Boom Assy

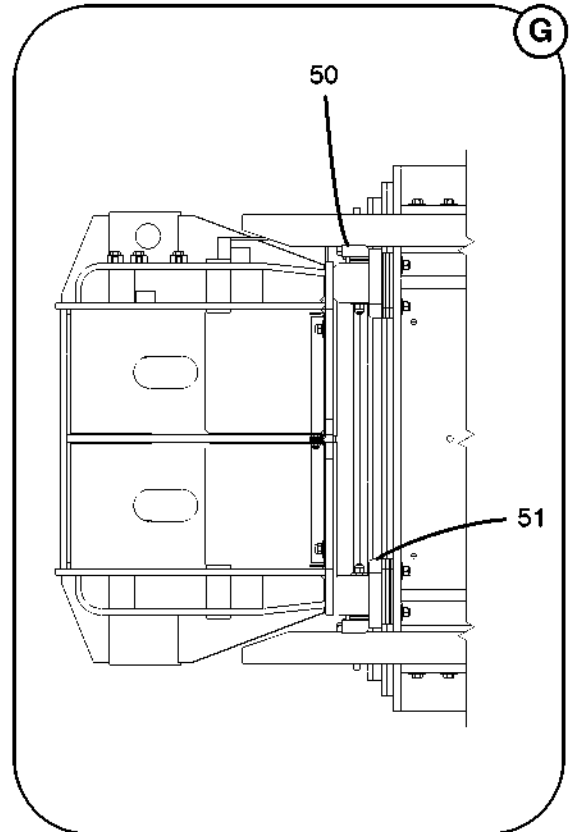
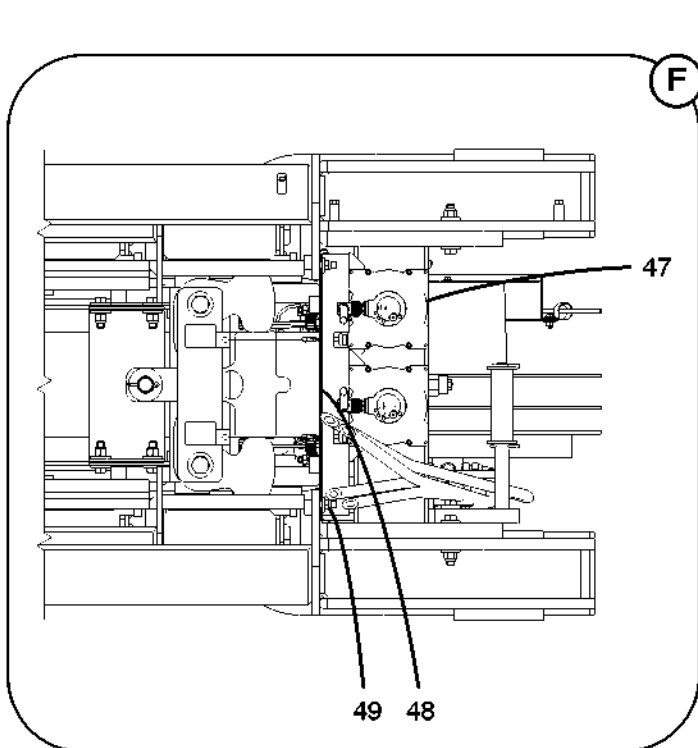
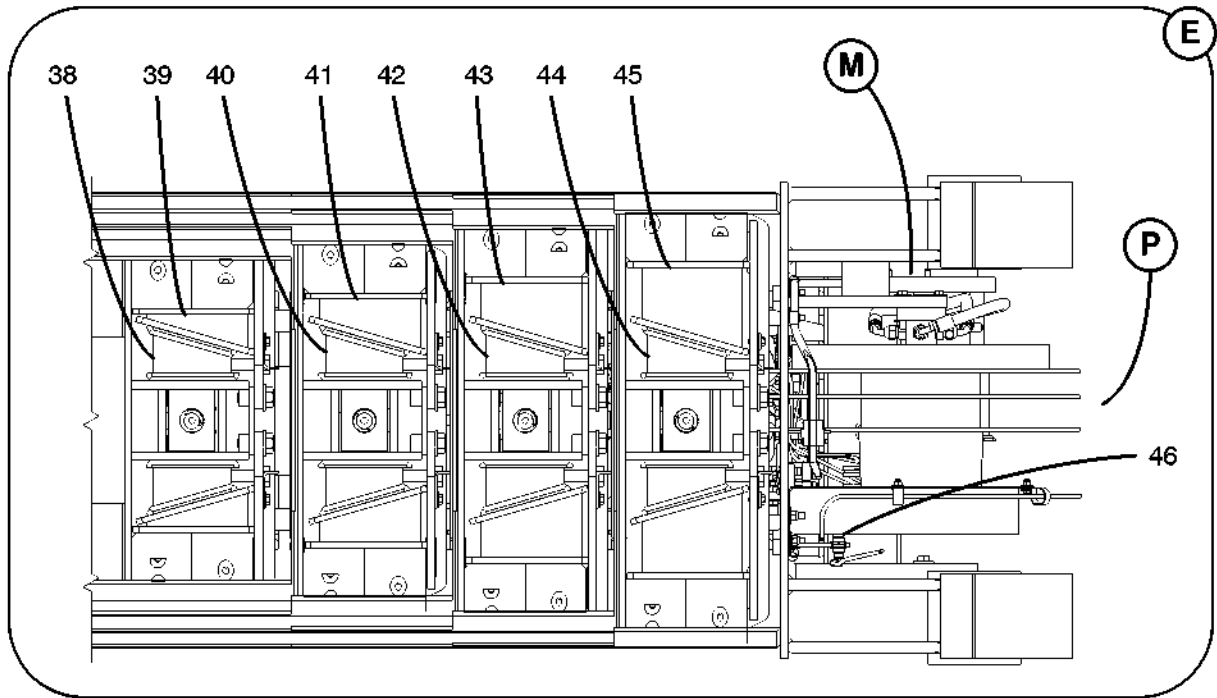


Parts List

0410

| 5 Section Boom Assy | | | | |
|---------------------|-----------|-----|---------------------|---------|
| REF | PART NO. | QTY | DESCRIPTION | REMARKS |
| 21 | N3M0459 | 1 | Pad, Wear | |
| | 126009030 | 2 | Capscrew | |
| | 128003006 | 4 | Washer | |
| | 127004005 | 2 | Locknut | |
| 22 | R3M1065 | 2 | Cover | |
| 23 | 126009002 | 2 | Capscrew | |
| | 128003001 | 4 | Washer | |
| | 127004001 | 2 | Locknut | |
| 24 | 128003004 | 2 | Washer | |
| | 127004003 | 2 | Locknut | |
| 25 | 126009028 | 16 | Capscrew | |
| | 128003006 | 16 | Washer | |
| 26 | N3M0456 | 8 | Plate | |
| 27 | N3M0258 | 8 | Pad, Wear | |
| 28 | N3M0457 | 8 | Plate | |
| 29 | 1X 0730 | 32 | Setscrew | |
| | 1X 0185 | 32 | Nut, Jam | |
| 30 | J8M0390 | 2 | Pad, Wear | |
| 31 | J8M0389 | 2 | Bracket | |
| | 126009012 | 8 | Capscrew | |
| | 128003004 | 8 | Washer | |
| 32 | R3M1066 | 2 | Pad, Wear – Slotted | |
| | R3M0900 | 4 | Pad, Wear | |
| | R3M0773 | 4 | Spacer | |
| | R3M0623 | 60 | Insert, Teflon | |
| 33 | R3M0901 | 6 | Pad, Wear | |
| | R3M0294 | 4 | Spacer | |
| | R3M0623 | 24 | Insert, Teflon | |
| 34 | R3M0901 | 6 | Pad, Wear | |
| | R3M0289 | 4 | Spacer | |
| | R3M0623 | 24 | Insert, Teflon | |
| 35 | R3M0901 | 6 | Pad, Wear | |
| | R3M0295 | 4 | Spacer | |
| | R3M0623 | 24 | Insert, Teflon | |
| 36 | R3M1103 | 16 | Shim – AR | |
| 37 | R3M0930 | 2 | Shim – AR | |
| 38 | R3M0822 | 2 | Wedge, Sliding | |
| 39 | R3M0823 | 2 | Wedge, Fixed | |
| 40 | R3M0822 | 2 | Wedge, Sliding | |
| 41 | R3M0824 | 2 | Wedge, Fixed | |

5 Section Boom Assy

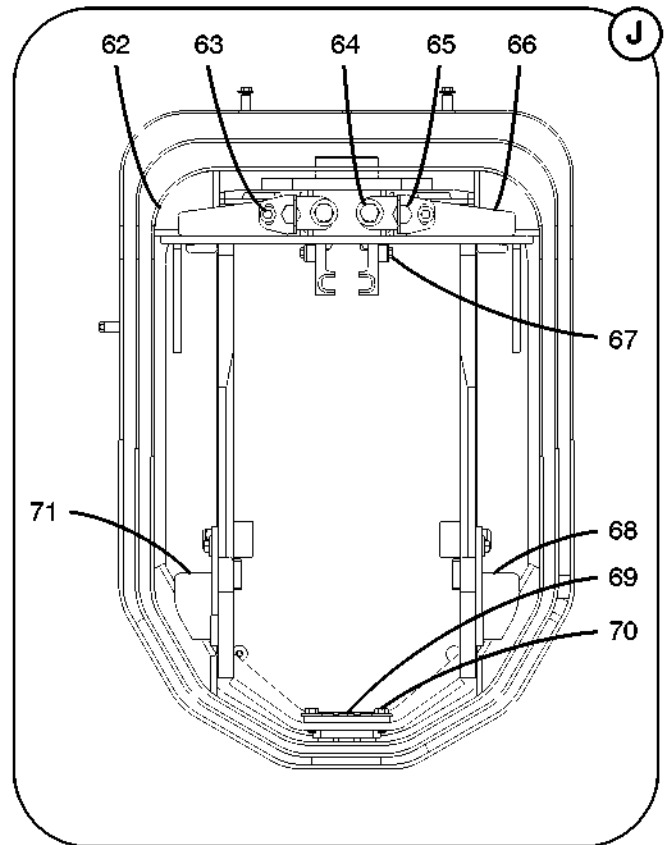
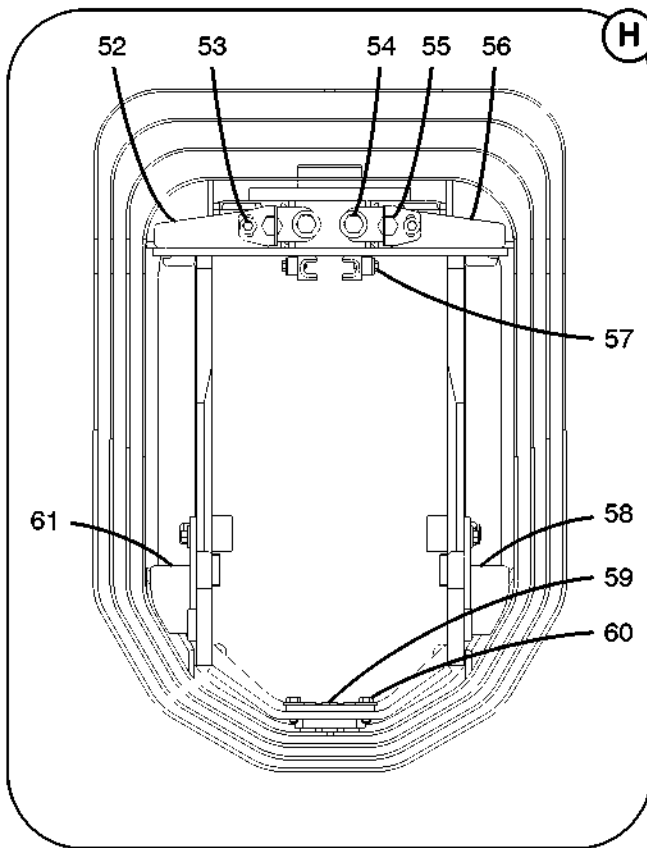


Parts List

0410

| 5 Section Boom Assy | | | | |
|---------------------|-----------|-----|---------------------|---------|
| REF | PART NO. | QTY | DESCRIPTION | REMARKS |
| 42 | R3M0822 | 2 | Wedge, Sliding | |
| 43 | R3M0825 | 2 | Wedge, Fixed | |
| 44 | R3M0822 | 2 | Wedge, Sliding | |
| 45 | R3M0826 | 2 | Wedge, Fixed | |
| 46 | R3R0068 | 1 | Sensor, Proximity | |
| 47 | R3M1118 | 1 | Encoder Assy | |
| | R3M0958 | 1 | Cover | |
| | R3R0109 | 1 | Encoder, Top | |
| | R3R0044 | 1 | Encoder, Bottom | |
| | J8R0168 | 1 | Cable Assy | |
| | 1X 4477 | 4 | Capscrew | |
| 48 | R3M1036 | 1 | Plate | |
| 49 | 128003004 | 4 | Washer | |
| | 127004003 | 4 | Locknut | |
| 50 | N3M0322 | 2 | Plate – 0.75" Thick | |
| | N3M0321 | 6 | Plate – 0.13" Thick | |
| | 126009025 | 4 | Capscrew | |
| | 128003004 | 4 | Washer | |
| | 127004003 | 4 | Locknut | |
| 51 | N3M0322 | 2 | Plate – 0.75" Thick | |
| | N3M0321 | 4 | Plate – 0.13" Thick | |
| | N3M0319 | 4 | Plate – 0.25" Thick | |
| | 126009018 | 4 | Capscrew | |
| | 128003004 | 4 | Washer | |
| | 127004003 | 4 | Locknut | |
| 52 | R3M0293 | 4 | Pad, Wear | |
| | N3M0302 | 16 | Insert, Teflon | |
| 53 | R3M0897 | 2 | Sheet | |
| | 126009012 | 2 | Capscrew | |
| | 128003004 | 2 | Washer | |
| 54 | 126009058 | 2 | Capscrew | |
| | 128003009 | 2 | Washer | |
| 55 | 1X 8031 | 2 | Bolt | |
| 56 | R3M1021 | 2 | Plate | |
| 57 | R3M0977 | 2 | Pin, Retainer | |
| | 126009014 | 2 | Capscrew | |
| | 128003004 | 2 | Washer | |
| 58 | R3M1050 | 1 | Bracket | |
| | R3M1030 | 1 | Pad, Wear | |
| | 126009027 | 2 | Capscrew | |
| | 128003006 | 2 | Washer | |
| 59 | R3M0696 | 1 | Roller Bracket S/A | NSS |
| | R3M0695 | 1 | Bracket | |
| | J7M1244 | 3 | Roller | |
| | N3M0928 | 1 | Pin | |
| | 150007008 | 1 | Pin, Cotter | |
| 60 | 126009027 | 4 | Capscrew | |
| | 128003006 | 4 | Washer | |
| 61 | R3M1049 | 1 | Bracket | |
| | R3M1030 | 1 | Pad, Wear | |
| | 126009027 | 2 | Capscrew | |
| | 128003006 | 2 | Washer | |
| 62 | R3M0293 | 4 | Pad, Wear | |
| | N3M0302 | 16 | Insert, Teflon | |

5 Section Boom Assy

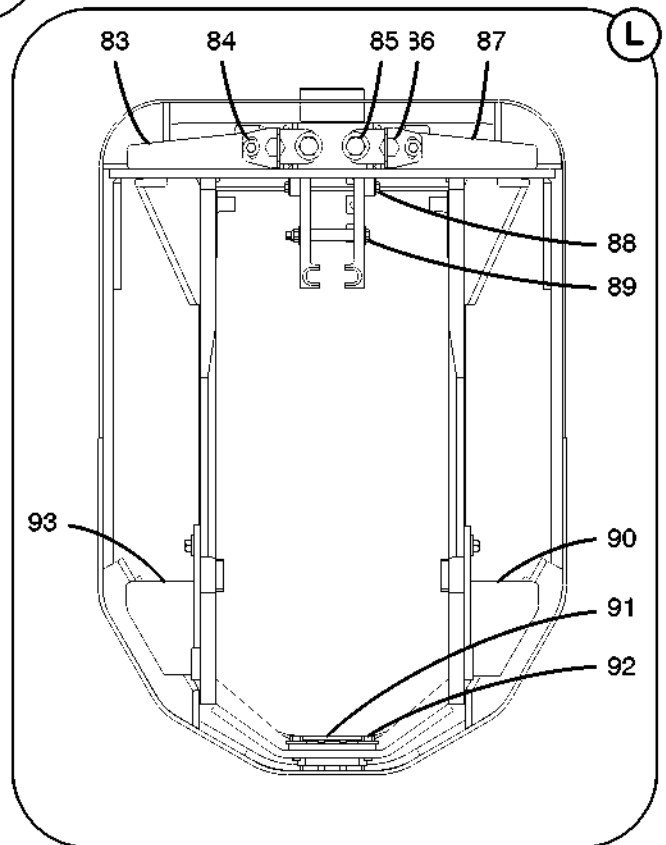
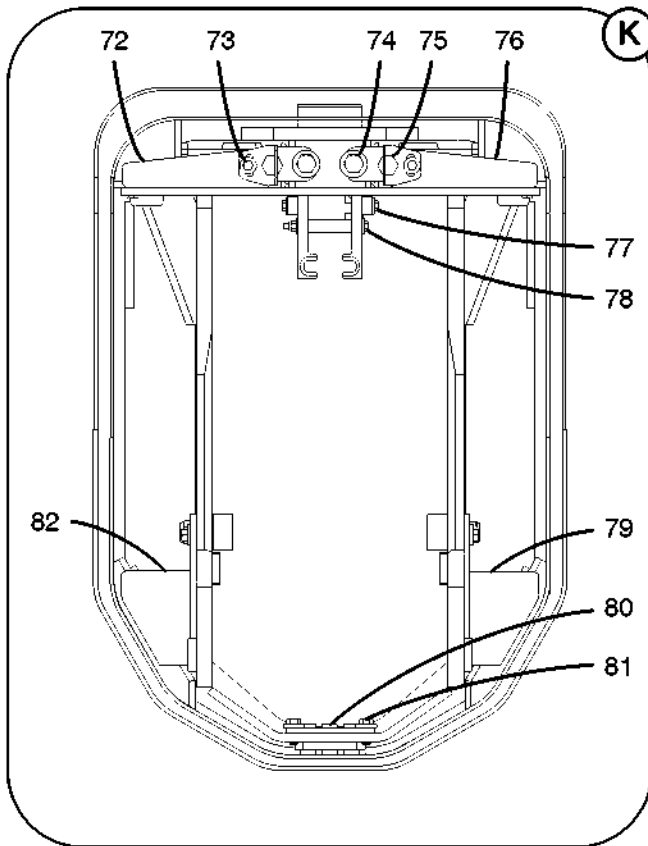


Parts List

0410

| 5 Section Boom Assy | | | | |
|---------------------|-----------|-----|--------------------|---------|
| REF | PART NO. | QTY | DESCRIPTION | REMARKS |
| 63 | R3M0897 | 2 | Sheet | NSS |
| | 126009012 | 2 | Capscrew | |
| | 128003004 | 2 | Washer | |
| 64 | 126009058 | 2 | Capscrew | |
| | 128003009 | 2 | Washer | |
| 65 | 1X 8031 | 2 | Bolt | |
| 66 | R3M1021 | 2 | Plate | |
| 67 | R3M0977 | 2 | Pin, Retainer | |
| | 126009014 | 2 | Capscrew | |
| | 128003004 | 2 | Washer | |
| 68 | R3M1048 | 1 | Bracket | |
| | R3M1031 | 1 | Pad, Wear | |
| | 126009027 | 2 | Capscrew | |
| | 128003006 | 2 | Washer | |
| 69 | R3M0696 | 1 | Roller Bracket S/A | |
| | R3M0695 | 1 | Bracket | |
| | J7M1244 | 3 | Roller | |
| | N3M0928 | 1 | Pin | |
| | 150007008 | 1 | Pin, Cotter | |
| 70 | 126009027 | 4 | Capscrew | |
| | 128003006 | 4 | Washer | |
| 71 | R3M1047 | 1 | Bracket | |
| | R3M1031 | 1 | Pad, Wear | |
| | 126009027 | 2 | Capscrew | |
| | 128003006 | 2 | Washer | |
| 72 | R3M0293 | 4 | Pad, Wear | |
| | N3M0302 | 16 | Insert, Teflon | |
| 73 | R3M0897 | 2 | Sheet | |
| | 126009012 | 2 | Capscrew | |
| | 128003004 | 2 | Washer | |
| 74 | 126009058 | 2 | Capscrew | |
| | 128003009 | 2 | Washer | |
| 75 | 1X 8031 | 2 | Bolt | |
| 76 | R3M1022 | 2 | Plate | |
| 77 | R3M0977 | 2 | Pin, Retainer | |
| | 126009014 | 2 | Capscrew | |
| | 128003004 | 2 | Washer | |
| 78 | R3M0793 | 1 | Spacer | |
| | 126009090 | 1 | Capscrew | |
| | 128003004 | 2 | Washer | |
| | 127004003 | 1 | Locknut | |
| 79 | R3M1046 | 1 | Bracket | |
| | R3M1032 | 1 | Pad, Wear | |
| | 126009027 | 2 | Capscrew | |
| | 128003006 | 2 | Washer | |
| 80 | R3M0696 | 1 | Roller Bracket S/A | |
| | R3M0695 | 1 | Bracket | |
| | J7M1244 | 3 | Roller | |
| | N3M0928 | 1 | Pin | |
| | 150007008 | 1 | Pin, Cotter | |
| 81 | 126009027 | 4 | Capscrew | |
| | 128003006 | 4 | Washer | |

5 Section Boom Assy

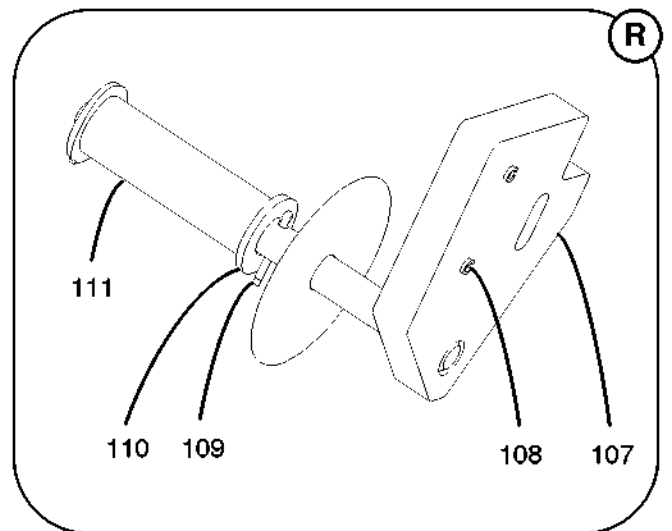
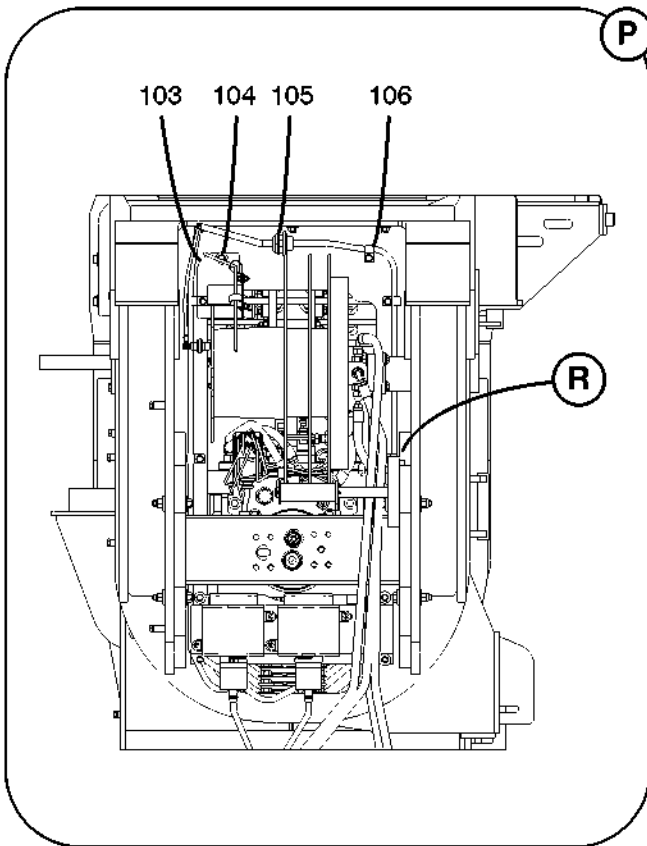
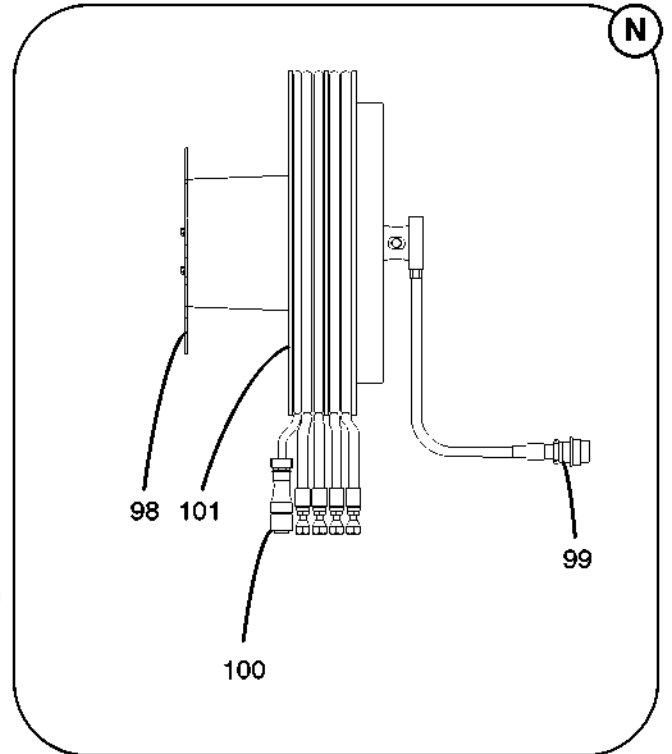
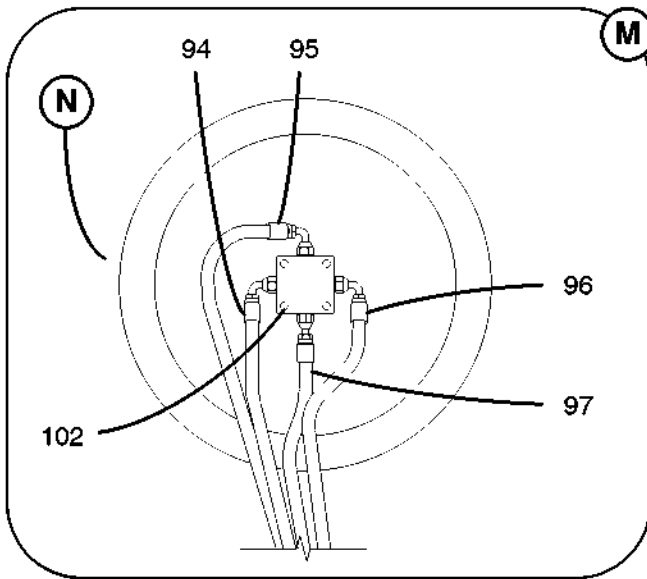


Parts List

0410

| 5 Section Boom Assy | | | | |
|---------------------|-----------|-----|--------------------|---------|
| REF | PART NO. | QTY | DESCRIPTION | REMARKS |
| 82 | R3M1045 | 1 | Bracket | |
| | R3M1032 | 1 | Pad, Wear | |
| | 126009027 | 2 | Capscrew | |
| | 128003006 | 2 | Washer | |
| 83 | R3M0293 | 4 | Pad, Wear | |
| | N3M0302 | 16 | Insert, Teflon | |
| 84 | R3M0897 | 2 | Sheet | |
| | 126009012 | 2 | Capscrew | |
| | 128003004 | 2 | Washer | |
| 85 | 126009058 | 2 | Capscrew | |
| | 128003009 | 2 | Washer | |
| 86 | 1X 8031 | 2 | Bolt | |
| 87 | R3M1022 | 2 | Plate | |
| 88 | R3M0977 | 2 | Pin, Retainer | |
| | 126009014 | 2 | Capscrew | |
| | 128003004 | 2 | Washer | |
| 89 | 126009090 | 1 | Capscrew | |
| | R3M0793 | 1 | Spacer | |
| | 128003004 | 2 | Washer | |
| | 127004003 | 1 | Locknut | |
| 90 | R3M1046 | 1 | Bracket | |
| | R3M1033 | 1 | Pad, Wear | |
| | 126009027 | 2 | Capscrew | |
| | 128003006 | 2 | Washer | |
| 91 | R3M0696 | 1 | Roller Bracket S/A | NSS |
| | R3M0695 | 1 | Bracket | |
| | J7M1244 | 3 | Roller | |
| | N3M0928 | 1 | Pin | |
| | 150007008 | 1 | Pin, Cotter | |
| 92 | 126009027 | 4 | Capscrew | |
| | 128003006 | 4 | Washer | |
| 93 | R3M1045 | 1 | Bracket | |
| | R3M1033 | 1 | Pad, Wear | |
| | 126009027 | 2 | Capscrew | |
| | 128003006 | 2 | Washer | |

5 Section Boom Assy

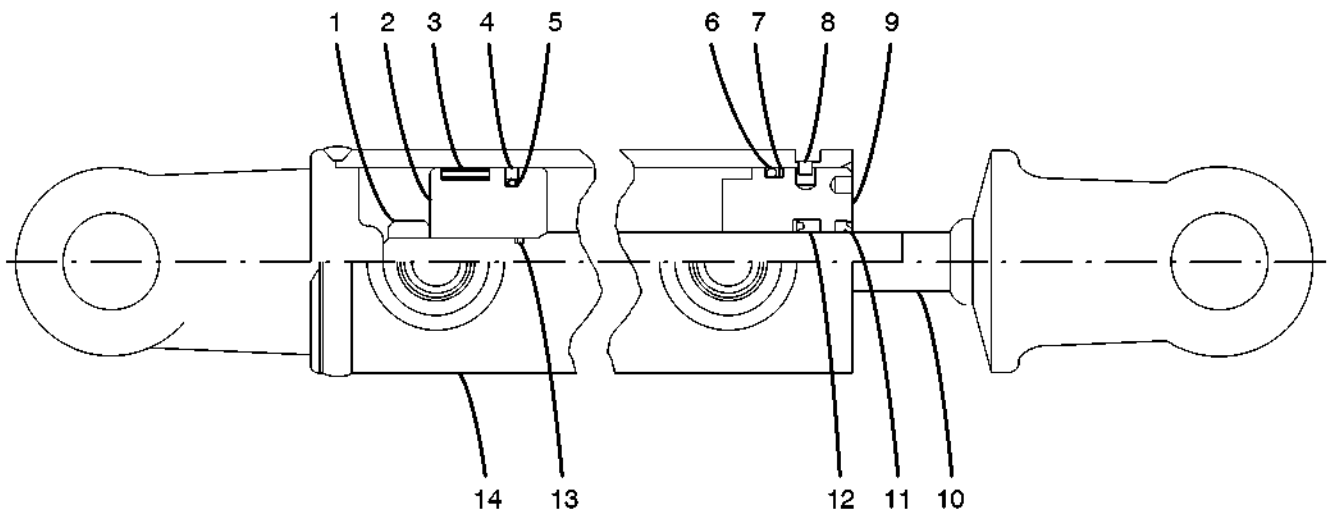


Parts List

0410

| 5 Section Boom Assy | | | | |
|---------------------|-----------|-----|---|---------|
| REF | PART NO. | QTY | DESCRIPTION | REMARKS |
| | R3M1112 | 1 | Hose & Electrical Reel S/A | NSS |
| 94 | E9J0116 | 1 | Hose Assy | |
| | J7J0412 | 1 | Connector | |
| 95 | E9J0116 | 1 | Hose Assy | |
| | J7J0412 | 1 | Connector | |
| 96 | E9J0117 | 1 | Hose Assy | |
| | J7J0412 | 1 | Connector | |
| 97 | 69J0310 | 1 | Hose Assy | |
| | J7J0412 | 1 | Connector | |
| 98 | R3M0941 | 1 | Sheet | |
| | R3R0116 | 1 | Electrical Reel S/A | NSS |
| 99 | 155284001 | 1 | Connector | |
| | 155290003 | 13 | Terminal | |
| | 155193001 | 1 | Plug | |
| | 155414001 | 1 | Splice, Butt | |
| | 810020007 | 2 | Tubing, Heat Shrink – 0.08' | |
| 100 | 15554001 | 1 | Plug | |
| | 155414001 | 1 | Splice, Butt | |
| | 810020007 | 1 | Tubing, Heat Shrink – 0.08' | |
| | 829025001 | 1 | Wire, 16 Gauge Black – 0.08' | |
| 101 | REF | 1 | Hose & Electrical Reel Assy – See Keysheet 17-002 | |
| 102 | 126009018 | 4 | Capscrew | |
| | 128003004 | 8 | Washer | |
| | 127004003 | 4 | Locknut | |
| 103 | R3M1116 | 1 | Bracket | |
| 104 | 128003004 | 1 | Washer | |
| 105 | 155286001 | 1 | Lockwasher, Panel | |
| | 155285001 | 1 | Nut, Panel | |
| 106 | 5Z 0621 | 5 | Clamp | |
| | 128003003 | 5 | Washer | |
| | 127004003 | 6 | Locknut | |
| | R3M1110 | 1 | Roller Assy | |
| 107 | R3M1109 | 1 | Bracket, Roller | |
| 108 | 1C 0038 | 2 | Pin, Roll | |
| 109 | 150007010 | 2 | Pin, Cotter | |
| 110 | 128003011 | 2 | Washer | |
| 111 | R3M0975 | 1 | Tubing | |

Latching Cylinder Assy

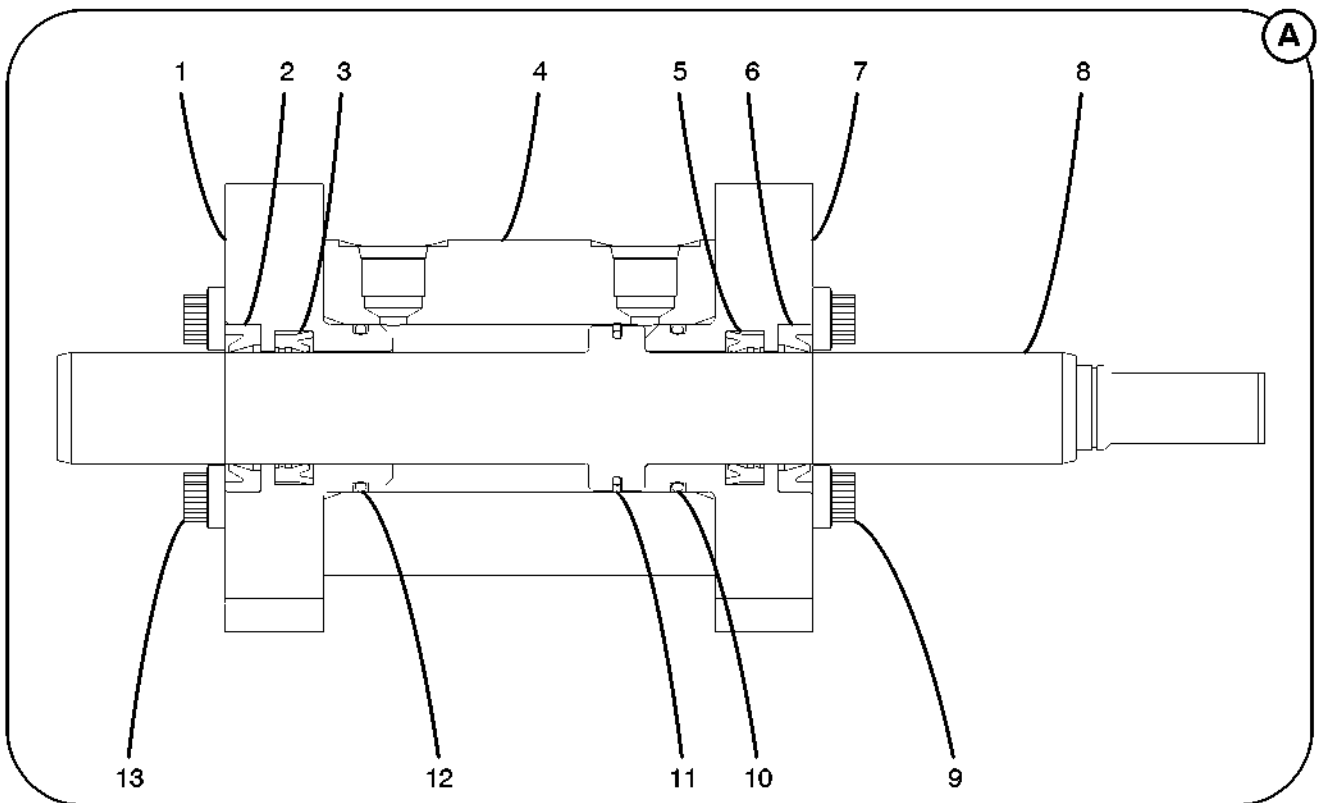
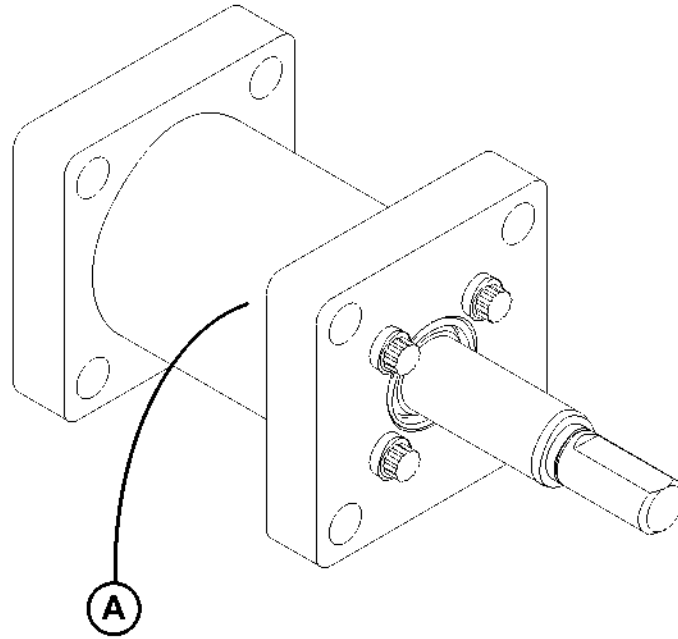


Parts List

0106

| Latching Cylinder Assy | | | | |
|------------------------|----------|-----|---------------------------------|---------|
| REF | PART NO. | QTY | DESCRIPTION | REMARKS |
| | N3J0473 | 1 | Latching Cylinder Assy | |
| 1 | 3J 9673 | 1 | Locknut | |
| 2 | 3J 17521 | 1 | Piston | |
| 3 | 3J 12610 | 1 | Ring, Wear | KA |
| 4 | 3J 17520 | 1 | Seal | KA |
| 5 | 3J 17519 | 1 | O-ring | KA |
| 6 | 3J 9677 | 1 | O-ring | KA |
| 7 | 3J 9678 | 1 | Ring, Back Up | KA |
| 8 | 3J 9672 | 1 | Ring, Retaining | |
| 9 | 3J 17522 | 1 | Head | |
| 10 | 3J 17523 | 1 | Rod | |
| 11 | 3J 9681 | 1 | Wiper | KA |
| 12 | 3J 17518 | 1 | Seal | KA |
| 13 | 3J 9674 | 1 | O-ring | KA |
| 14 | 3J 17589 | 1 | Case | |
| | 3J 17517 | 1 | Kit, Seal – All Items Marked KA | |

Pinning Cylinder Assy

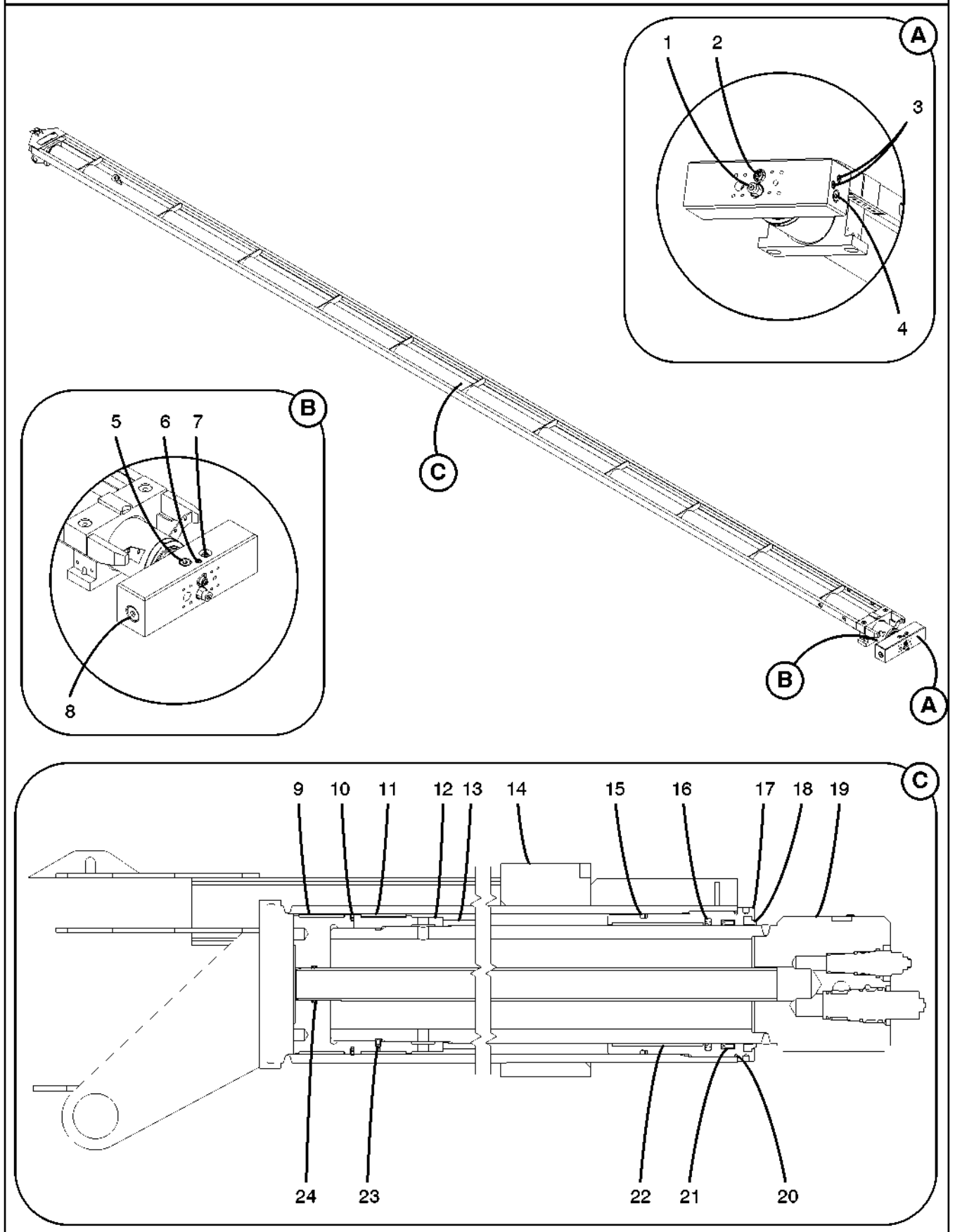


Parts List

0109

| Pinning Cylinder Assy | | | | |
|-----------------------|----------|-----|---------------------------------|---------|
| REF | PART NO. | QTY | DESCRIPTION | REMARKS |
| | R3J0313 | 1 | Pinning Cylinder Assy | |
| 1 | R3J0268 | 1 | Gland | |
| 2 | R3J0266 | 1 | Wiper, Rod | KA |
| 3 | R3J0265 | 1 | Seal | KA |
| 4 | R3J0269 | 1 | Cylinder | |
| 5 | R3J0265 | 1 | Seal | KA |
| 6 | R3J0266 | 1 | Wiper, Rod | KA |
| 7 | R3J0268 | 1 | Gland | |
| 8 | R3J0312 | 1 | Rod | |
| 9 | 1X 5059 | 4 | Capscrew | |
| 10 | 36J0111 | 1 | O-ring | KA |
| 11 | R3J0267 | 1 | Ring, Piston | KA |
| | 13H0560 | 1 | O-ring | KA |
| 12 | 36J0111 | 1 | O-ring | KA |
| 13 | 1X 5059 | 4 | Capscrew | |
| | 3J 18245 | 1 | Kit, Seal – All Items Marked KA | |

Telescope Cylinder Assy

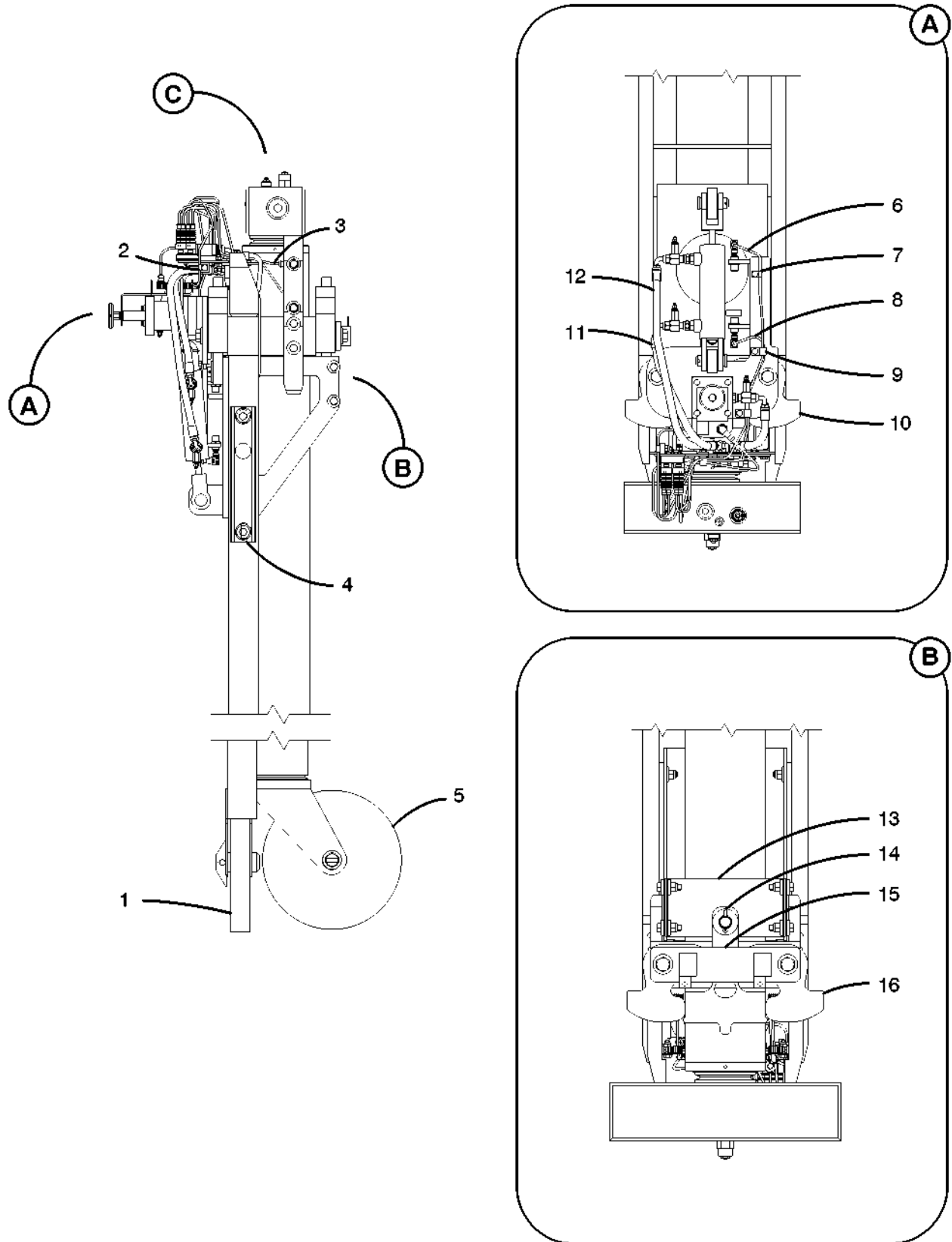


Parts List

0411

| Telescope Cylinder Assy | | | | |
|-------------------------|----------|-----|---------------------------------|---------|
| REF | PART NO. | QTY | DESCRIPTION | REMARKS |
| | R3J0354 | 1 | Telescope Cylinder Assy | |
| 1 | E8J0029 | 1 | Cartridge, Counterbalance | |
| | 3J 12641 | 1 | Kit, Seal | |
| 2 | J7J0042 | 1 | Cartridge, Counterbalance | |
| | 3J 13549 | 1 | Kit, Seal | |
| 3 | 1X 4526 | 2 | Plug | |
| 4 | 1X 4370 | 1 | Plug | |
| 5 | 1X 4370 | 1 | Plug | |
| 6 | 1X 4448 | 1 | Plug | |
| 7 | J7J0042 | 1 | Cartridge, Counterbalance | |
| | 3J 13549 | 1 | Kit, Seal | |
| 8 | 1X 4718 | 1 | Plug | |
| 9 | R3J0381 | 1 | Ring, Wear | KA |
| 10 | R3J0113 | 1 | Ring, Piston | KA |
| | R3J0117 | 1 | Seal, Square Ring | KA |
| 11 | R3J0381 | 1 | Ring, Wear | KA |
| 12 | R3J0028 | 1 | Piston | |
| 13 | R3J0044 | 1 | Tube, Stop | |
| 14 | R3J0358 | 1 | Case | |
| 15 | R3J0114 | 1 | Ring, Back Up | KA |
| | 1X 6192 | 1 | O-ring | KA |
| 16 | R3J0053 | 1 | Seal, Step | KA |
| 17 | R3J0027 | 1 | Gland | |
| 18 | R3J0116 | 1 | Wiper, Rod | KA |
| 19 | R3J0247 | 1 | Rod | |
| 20 | 1X 7224 | 1 | O-ring | KA |
| 21 | R3J0051 | 1 | Seal | KA |
| 22 | R3J0382 | 1 | Ring, Wear | KA |
| 23 | 36J0356 | 1 | Setscrew | |
| 24 | 31V0185 | 1 | O-ring | KA |
| | 28J2147 | 2 | Ring, Back Up | KA |
| | 3J 18244 | 1 | Kit, Seal – All Items Marked KA | |

Telescope, Pin & Latching Cylinders Installation

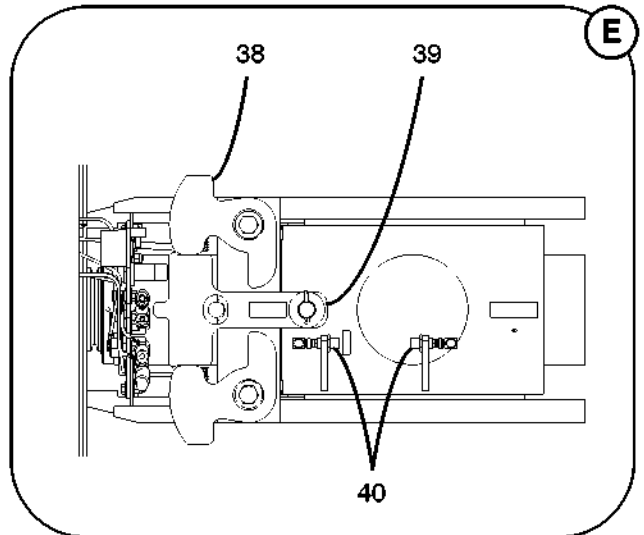
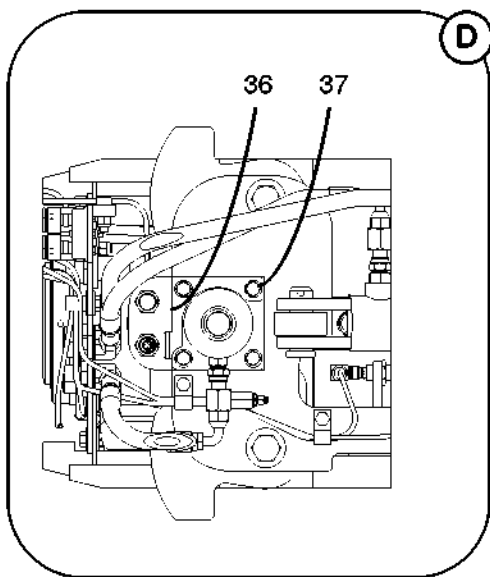
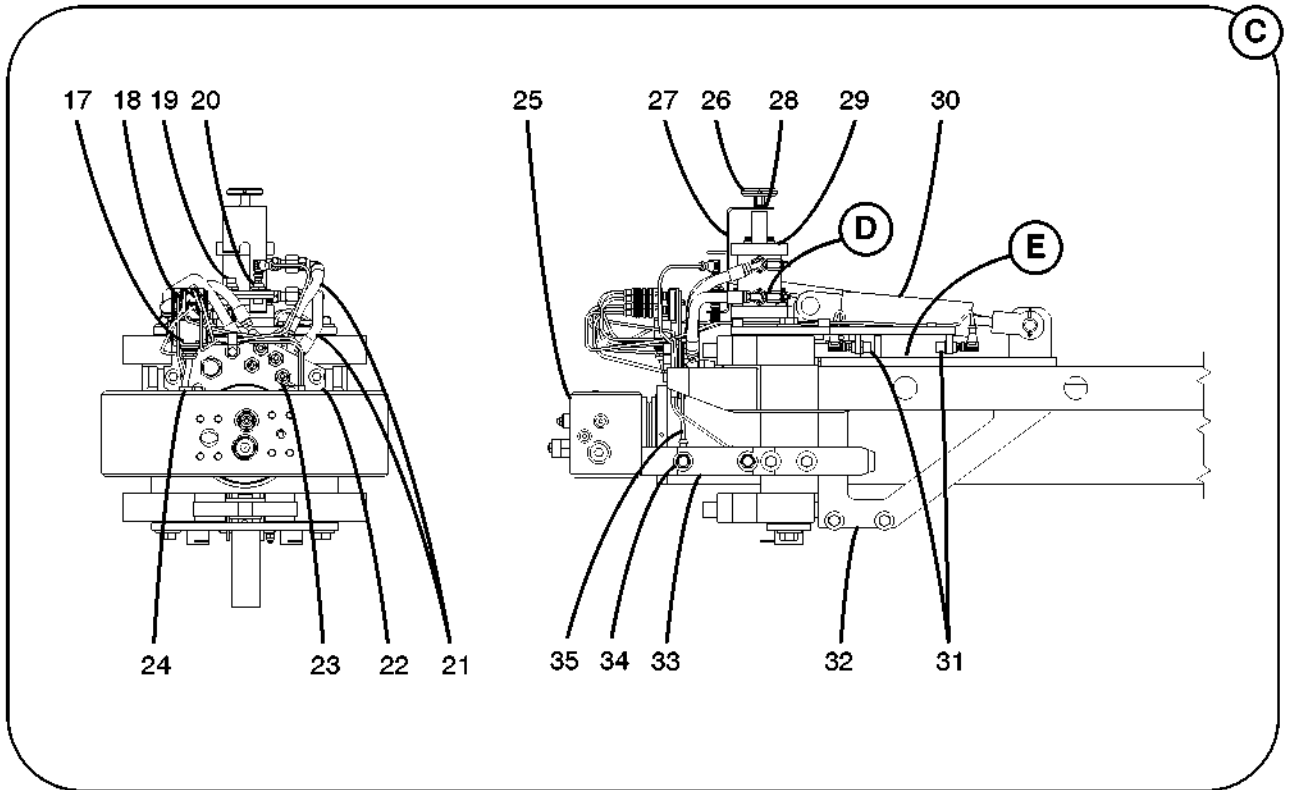


Parts List

0810

| Telescope, Pin & Latching Cylinders Installation | | | | |
|--|-----------|-----|------------------|---------|
| REF | PART NO. | QTY | DESCRIPTION | REMARKS |
| 1 | R3M0093 | 1 | Wheel, Nose | |
| | R3M1101 | 1 | Tube | |
| | 126009022 | 1 | Capscrew | |
| | 127004003 | 1 | Locknut | |
| 2 | 1X 6907 | 1 | Clamp | |
| | 126009014 | 1 | Capscrew | |
| | 127004003 | 1 | Locknut | |
| 3 | R3R0099 | 2 | Cable | |
| 4 | P9M0098 | 2 | Pad, Wear | |
| | 126009031 | 4 | Capscrew | |
| | 128003006 | 8 | Washer | |
| | 127004005 | 4 | Locknut | |
| 5 | R3M0093 | 1 | Wheel, Nose | |
| | R3M1101 | 1 | Tube | |
| | 126009021 | 1 | Capscrew | |
| | 127004003 | 1 | Locknut | |
| 6 | R3R0102 | 1 | Cable | |
| | 1X 6907 | 1 | Clamp | |
| | 126009099 | 1 | Capscrew | |
| 8 | R3R0101 | 1 | Cable | |
| 9 | 5Z 0621 | 2 | Clamp | |
| | 126009099 | 2 | Capscrew | |
| 10 | R3M0940 | 1 | Bracket | |
| | 1X 8240 | 2 | Bearing, Journal | |
| | N4M0337 | 2 | Spacer | |
| | 1X 4138 | 2 | Capscrew | |
| | 128003009 | 2 | Washer | |
| 11 | 69J0275 | 1 | Hose Assy | |
| | 1X 7369 | 1 | Connector | |
| | 1X 8367 | 1 | Tee | |
| | P9J0100 | 1 | Adaptor | |
| 12 | D3J0161 | 1 | Hose Assy | |
| | 1X 7369 | 1 | Connector | |
| | 1X 8367 | 1 | Tee | |
| | P9J0100 | 1 | Adaptor | |
| 13 | R3M0756 | 1 | Bracket | |
| | 126009029 | 4 | Capscrew | |
| | 128003006 | 8 | Washer | |
| | 127004005 | 4 | Locknut | |
| 14 | R3M0948 | 1 | Plate | |
| | 128003012 | 1 | Washer | |
| | 150007013 | 1 | Pin, Cotter | |
| 15 | R3M1029 | 1 | Bracket | |
| | 1X 8240 | 2 | Bearing, Journal | |
| | N4M0337 | 2 | Spacer | |
| | 1X 4138 | 2 | Capscrew | |
| | 128003009 | 2 | Washer | |
| 16 | R3M0831 | 2 | Plate | |
| 17 | R3R0117 | 1 | Box, Junction | |
| | 1X 7902 | 3 | Screw, Machine | |
| | 1X 5064 | 3 | Locknut | |
| 18 | R3R0118 | 4 | Splitter | |

Telescope, Pin & Latching Cylinders Installation



Parts List

0810

| Telescope, Pin & Latching Cylinders Installation | | | | |
|--|-----------|-----|---|---------|
| REF | PART NO. | QTY | DESCRIPTION | REMARKS |
| 19 | R3R0068 | 1 | Sensor, 18mm Proximity | NSS |
| | R3R0099 | 1 | Cable | |
| 20 | R3R0068 | 1 | Sensor, 18mm Proximity | |
| | R3R0099 | 1 | Cable | |
| 21 | R3J0355 | 2 | Hose Assy | |
| | 1X 8367 | 2 | Tee | |
| | P9J0100 | 2 | Adaptor | |
| 22 | R3R0106 | 1 | Plate | |
| | 126009014 | 5 | Capscrew | |
| | 128003004 | 10 | Washer | |
| | 127004003 | 5 | Locknut | |
| 23 | 1X 7442 | 4 | Elbow | |
| 24 | 1J 0483 | 2 | Clamp | |
| 25 | REF | 1 | Telescope Cylinder Assy – See Keysheet 17–002 | |
| 26 | R3J0270 | 1 | End, Rod | |
| | 1X 4680 | 1 | Setscrew | |
| | R3J0368 | 1 | Boom Pinning Cylinder S/A | |
| 27 | R3J0356 | 1 | Bracket, Sensor | |
| 28 | 1X 1860 | 1 | Ring, Retaining | |
| 29 | REF | 1 | Pinning Cylinder Assy – See Keysheet 17–002 | |
| | 1X 7368 | 2 | Connector | |
| 30 | REF | 1 | Latching Cylinder Assy – See Keysheet 17–002 | |
| | N4M0338 | 2 | Pin | |
| | 150007010 | 2 | Pin, Cotter | |
| 31 | R3R0055 | 2 | Sensor, Embeddable Proximity | |
| 32 | R3M0947 | 1 | Bracket | |
| 33 | R3M1017 | 2 | Plate | |
| | 126009029 | 4 | Capscrew | |
| 34 | R3R0055 | 4 | Sensor, Embeddable Proximity | |
| 35 | R3R0100 | 2 | Cable | |
| 36 | R3M0950 | 1 | Plate – 0.25" Thick | |
| | R3J0336 | 1 | Plate – 0.5" Thick | |
| | R3M0949 | 1 | Pad, Wear | |
| 37 | 1X 2686 | 4 | Capscrew | |
| 38 | R3M0831 | 2 | Plate | |
| 39 | R3M0948 | 1 | Plate | |
| | 128003012 | 1 | Washer | |
| | 150007013 | 1 | Pin, Cotter | |
| 40 | R3R0055 | 2 | Sensor, Embeddable Proximity | |

Hose & Electrical Reel Assy

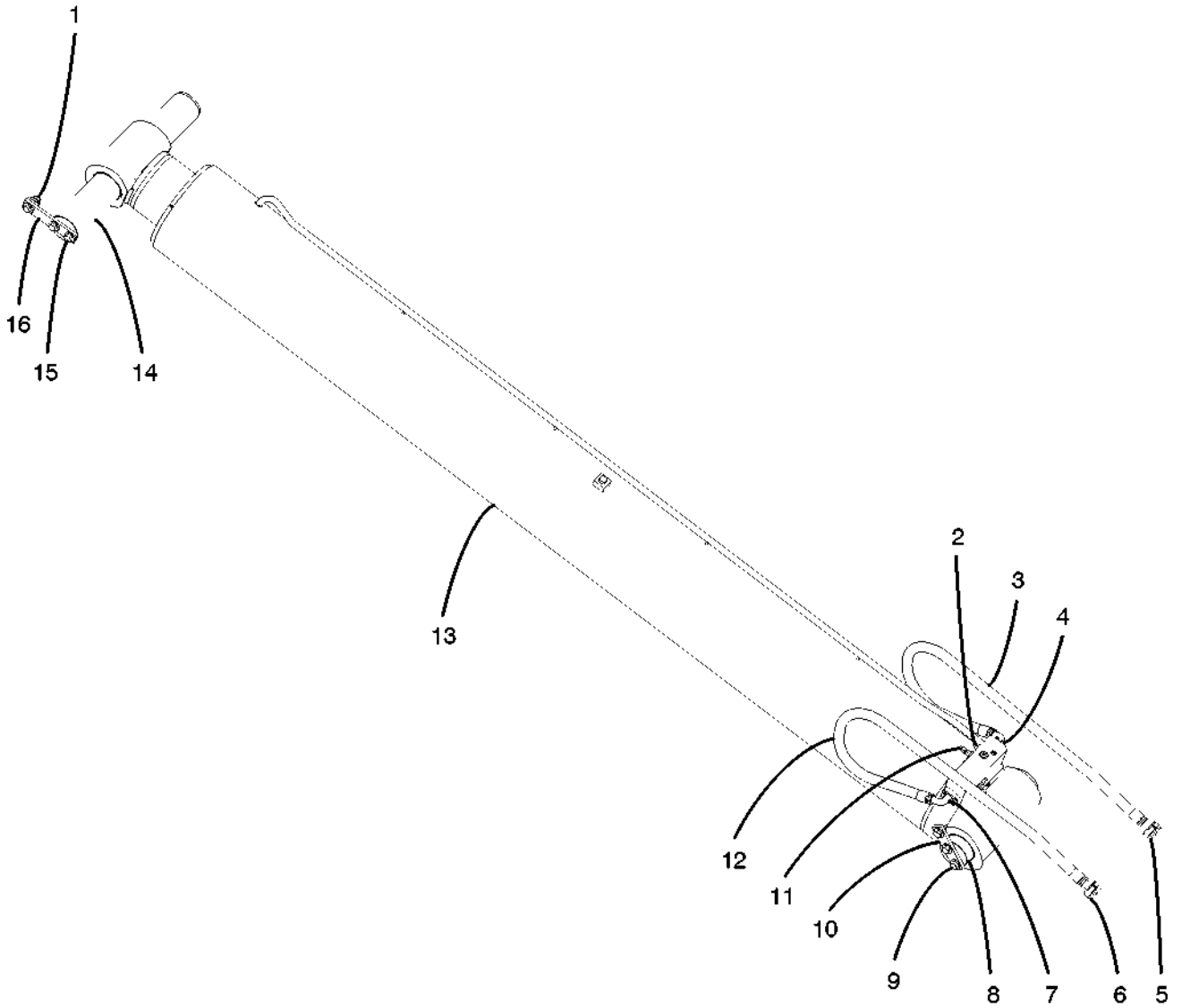
No Illustration Required

Parts List

0311

| Hose & Electrical Reel Assy | | | | |
|-----------------------------|---------------|-----|---|---------|
| REF | PART NO. | QTY | DESCRIPTION | REMARKS |
| | S2J0588 F1 | 1 | Hose & Electrical Reel Assy Note: Parts Breakdown Unavailable At Time Of Publication. Complete Breakdown To Follow With Later Revision. | F1 |

Boom Hoist Cylinder & Lines

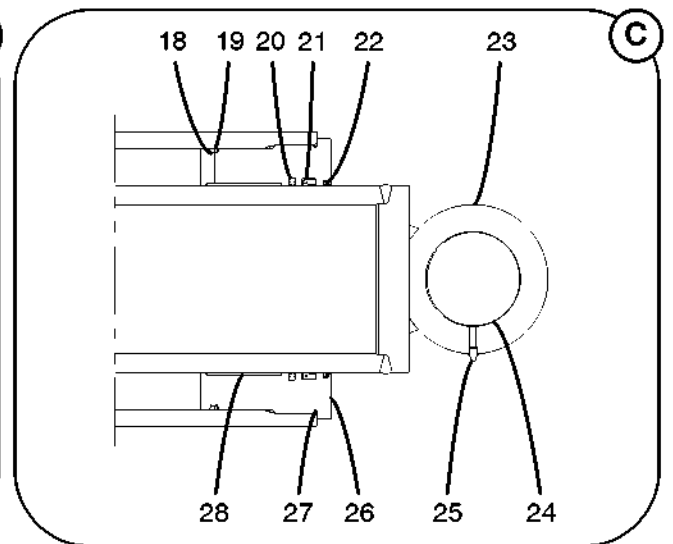
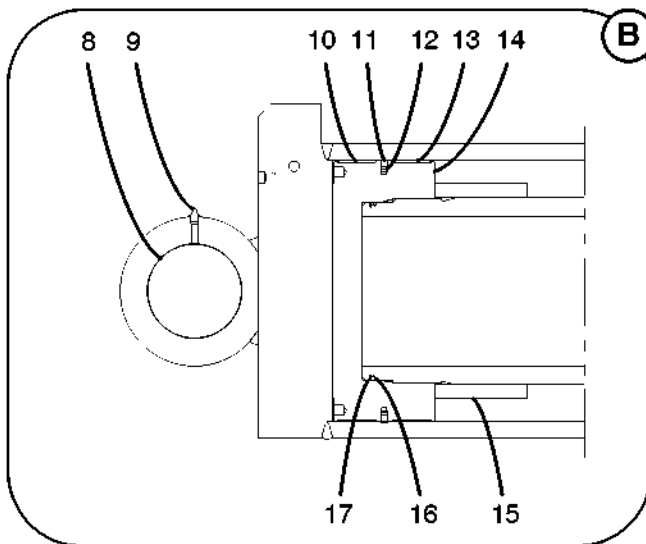
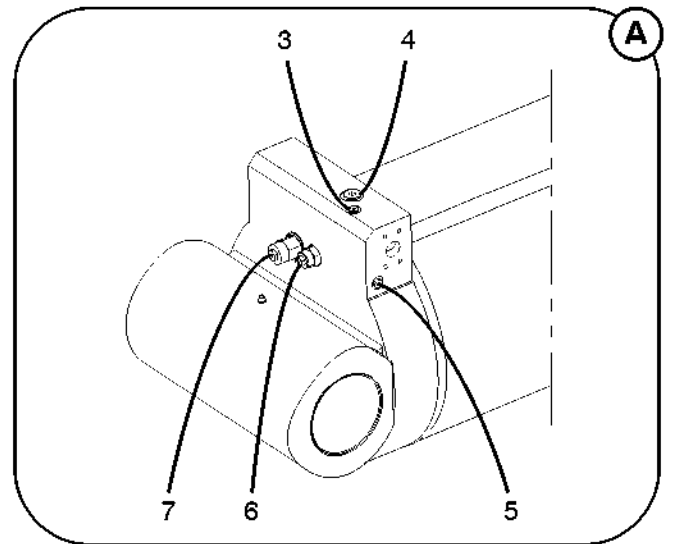
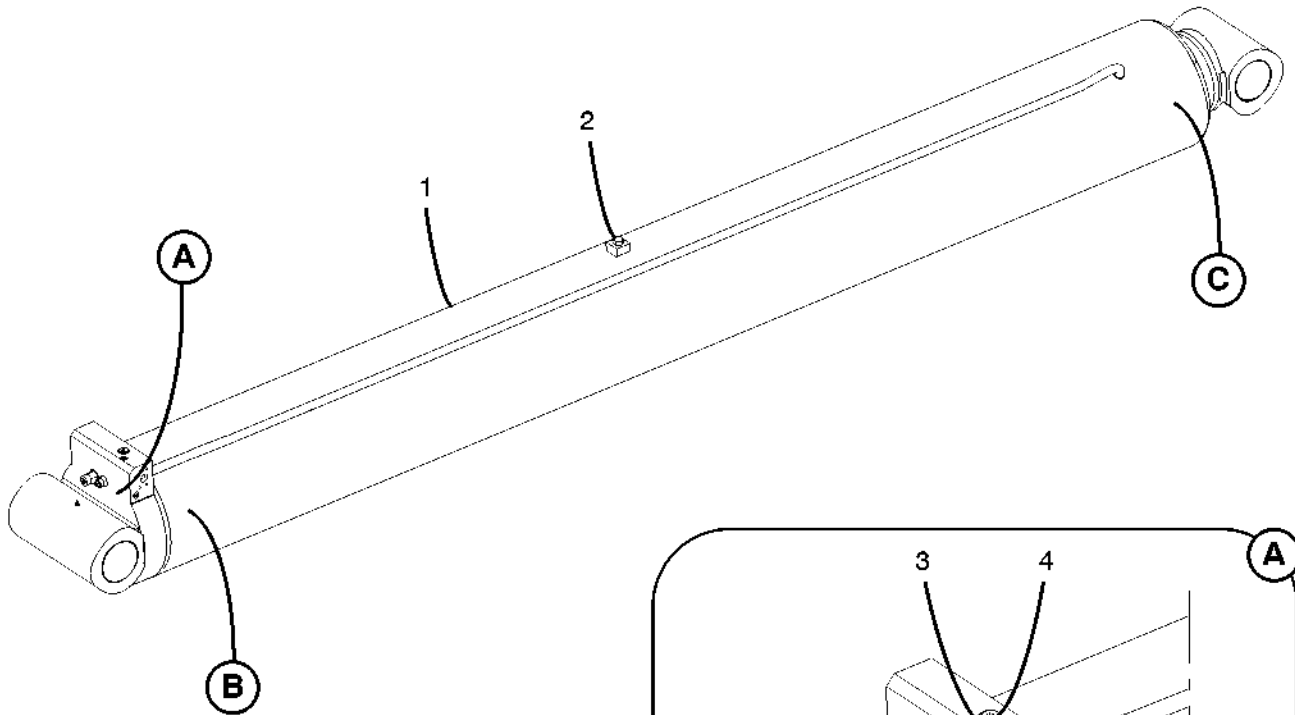


Parts List

0109

| Boom Hoist Cylinder & Lines | | | | |
|-----------------------------|-----------|-----|--|---------|
| REF | PART NO. | QTY | DESCRIPTION | REMARKS |
| 1 | 126009062 | 1 | Capscrew | |
| | 128003009 | 2 | Washer | |
| | R3M0142 | 1 | Plate | |
| | 127004007 | 1 | Locknut | |
| 2 | 1X 7439 | 1 | Connector | |
| | 1X 8345 | 1 | Reducer | |
| 3 | J7J0340 | 1 | Hose Assy | |
| 4 | 16J0201 | 2 | Flange, Split | |
| | 126009014 | 4 | Capscrew | |
| 5 | 20J0990 | 1 | O-ring | |
| | 16J0201 | 2 | Flange, Split | |
| | 126009014 | 4 | Capscrew | |
| 6 | 20J0990 | 1 | O-ring | |
| | 16J0201 | 2 | Flange, Split | |
| | 126009014 | 4 | Capscrew | |
| 7 | 20J0990 | 1 | O-ring | |
| | 16J0201 | 2 | Flange, Split | |
| | 126009014 | 4 | Capscrew | |
| 8 | 20J0990 | 1 | O-ring | |
| | J7J0341 | 1 | Pin | |
| 9 | 126009057 | 3 | Capscrew | |
| | 128003009 | 3 | Washer | |
| 10 | J7J0345 | 1 | Plate | |
| 11 | N3J0519 | 1 | Fuse, Velocity | |
| | 1X 7561 | 1 | Reducer - .25 x .38 | |
| | 1X 8345 | 1 | Reducer - .38 x .75 | |
| 12 | J7J0340 | 1 | Hose Assy | |
| 13 | REF | 1 | Boom Hoist Cylinder Assy - See Keysheet 17-003 | |
| 14 | J8M0040 | 1 | Pin | |
| 15 | 126009057 | 2 | Capscrew | |
| | 128003009 | 2 | Washer | |
| 16 | R3J0013 | 1 | Plate | |

Boom Hoist Cylinder Assy

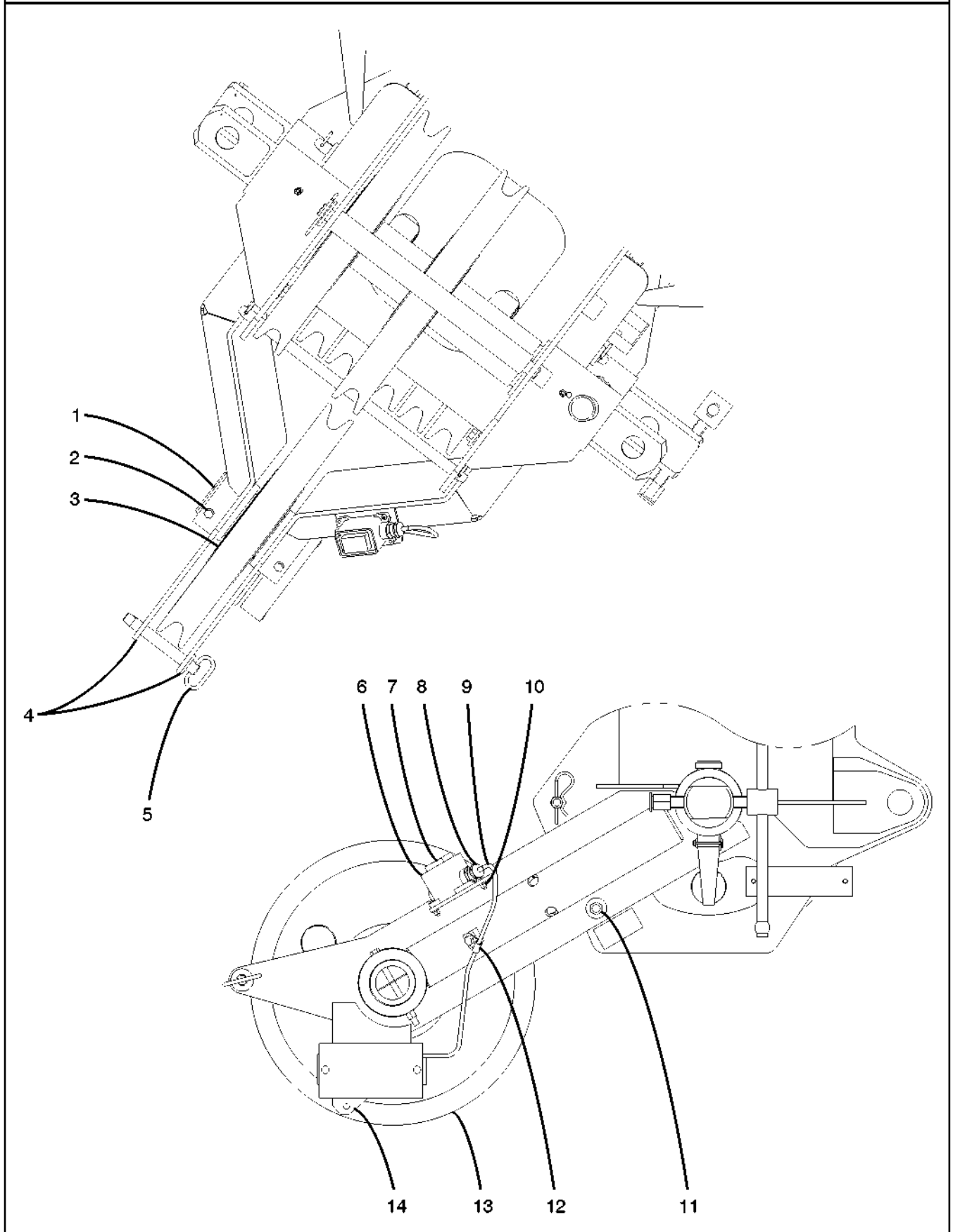


Parts List

0211

| Boom Hoist Cylinder Assy | | | | |
|--------------------------|-----------|-----|---------------------------------|---------|
| REF | PART NO. | QTY | DESCRIPTION | REMARKS |
| | J8J0338 | 1 | Boom Hoist Cylinder Assy | |
| 1 | J8J0339 | 1 | Case | |
| 2 | 126009092 | 1 | Capscrew | |
| 3 | 1X 4448 | 1 | Plug | |
| 4 | 1X 4631 | 1 | Plug | |
| 5 | 1X 4448 | 1 | Plug | |
| 6 | J7J0042 | 1 | Cartridge, Counterbalance | |
| | 3J 14672 | 1 | Kit, Seal | |
| 7 | J7J0783 | 1 | Cartridge, Counterbalance | |
| | 3J 12641 | 1 | Kit, Seal | |
| 8 | J7J0044 | 2 | Bearing | |
| 9 | 1X 0812 | 1 | Fitting, Grease | |
| 10 | J8J0510 | 1 | Ring, Wear | KA |
| 11 | R3J0077 | 1 | Ring, Piston | KA |
| 12 | R3J0078 | 1 | Seal, Square Ring | KA |
| 13 | J8J0510 | 1 | Ring, Wear | KA |
| 14 | R3J0001 | 1 | Piston | |
| 15 | R3J0079 | 1 | Tube, Stop | |
| 16 | 1X 8326 | 1 | O-ring | KA |
| 17 | R3J0061 | 1 | Ring, Back Up | KA |
| 18 | 1X 8320 | 1 | O-ring | KA |
| 19 | R3J0074 | 1 | Ring, Back Up | KA |
| 20 | R3J0073 | 1 | Stepseal | KA |
| 21 | R3J0072 | 1 | Seal | KA |
| 22 | R3J0071 | 1 | Wiper, Rod | KA |
| 23 | R3J0004 | 1 | Rod | |
| 24 | J7J0044 | 2 | Bearing | |
| 25 | 1X 0812 | 1 | Fitting, Grease | |
| 26 | R3J0003 | 1 | Gland | |
| 27 | 1X 8327 | 1 | O-ring | KA |
| 28 | J8J0511 | 1 | Ring, Wear | KA |
| | 3J 17746 | 1 | Kit, Seal – All Items Marked KA | |

Auxiliary Lifting Sheave

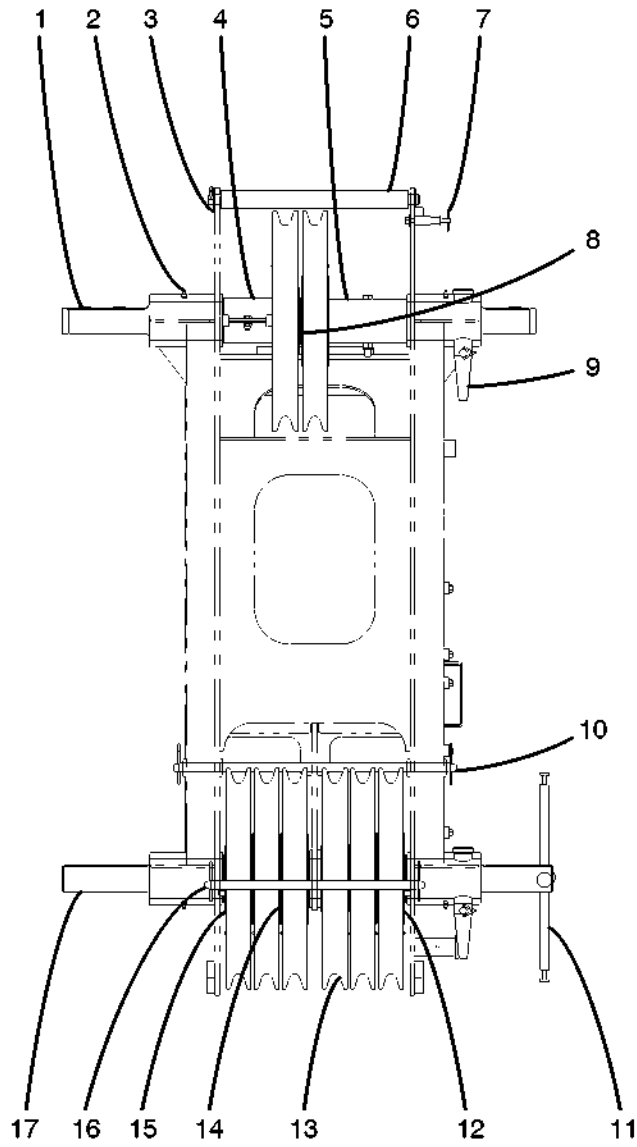


Parts List

0810

| Auxiliary Lifting Sheave | | | | |
|--------------------------|------------|-----|--|---------|
| REF | PART NO. | QTY | DESCRIPTION | REMARKS |
| | J7M0491 | 1 | Auxiliary Lifting Sheave S/A | NSS |
| 1 | E9M0105 | 1 | Tube | |
| 2 | 126009101 | 2 | Capscrew | |
| | 127004003 | 2 | Locknut | |
| 3 | D6M0329 | 2 | Shim – AR | |
| 4 | J7M0616 | 1 | Brackets, Auxiliary Arm | |
| | J7M1116 | 1 | Bracket, Auxiliary Arm – LH | |
| | J7M1118 | 1 | Bracket, Auxiliary Arm – RH | |
| 5 | 47M0295 | 1 | Pin, Hitch | |
| | J8L0026 | 1 | ATB Connector Receptacle Assy | |
| 6 | E8L0001 | 1 | Base, ATB Receptacle | |
| 7 | J8L0023 | 1 | Terminal, ATB Receptacle | |
| 8 | E8L0035 | 1 | Relief, Strain | |
| 9 | 8290590001 | 1 | Cable – 2.3' | |
| | E8R0056 | 2 | Terminal | |
| 10 | 1X 7906 | 2 | Screw | |
| | 1X 1776 | 2 | Washer | |
| | 1X 4638 | 2 | Locknut | |
| 11 | 126009031 | 2 | Capscrew | |
| | 36A2343 | 4 | Washer | |
| | 127004005 | 2 | Locknut | |
| 12 | 39J0218 | 1 | Clamp | |
| | 126009099 | 1 | Capscrew | |
| 13 | J7M0666 | 1 | Sheave Assy | |
| | J7M0665 | 1 | Sheave, Nylon | |
| | 1X 2550 | 2 | Bearing, Ball | |
| | 1X 3255 | 1 | Fitting, Grease | |
| 14 | REF | 1 | Attachment ATB Switch Assy – See Keysheet 18–007 | |

6 Sheave Head Machinery

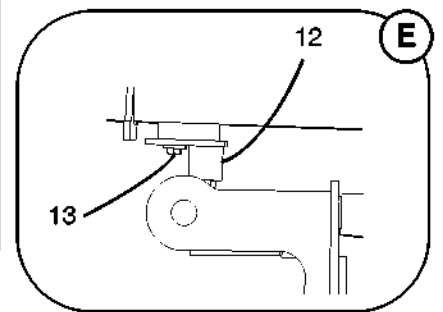
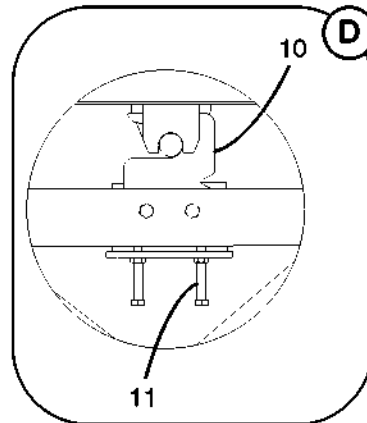
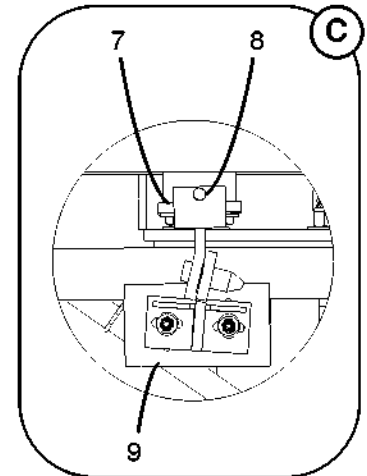
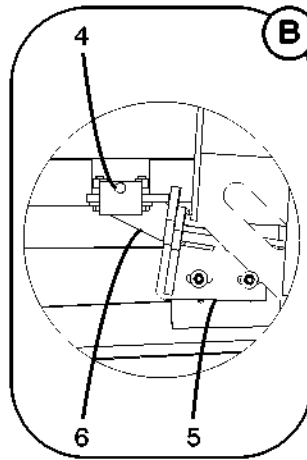
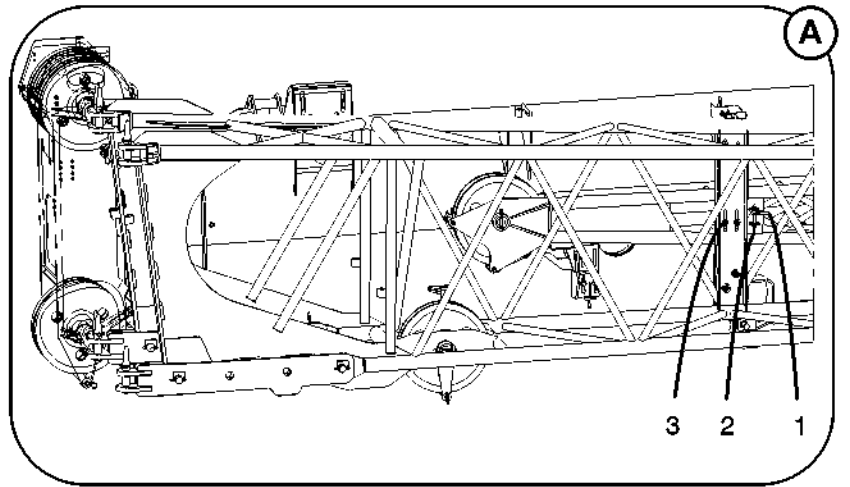
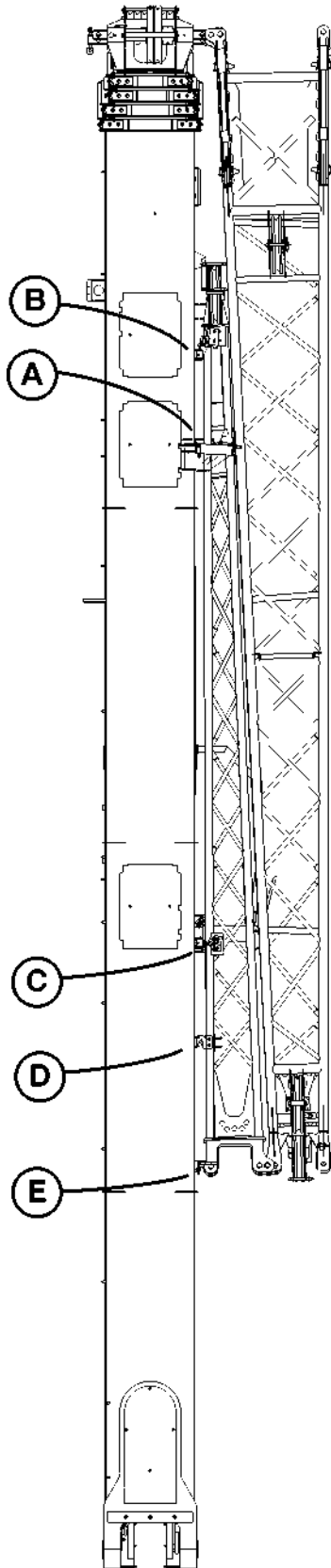


Parts List

0709

| 6 Sheave Head Machinery | | | | |
|-------------------------|-----------|-----|--------------------|---------|
| REF | PART NO. | QTY | DESCRIPTION | REMARKS |
| 1 | R3M0343 | 1 | Shaft, Top | |
| 2 | 1X 0812 | 4 | Fitting, Grease | |
| 3 | 128003011 | 1 | Washer | |
| 4 | R3M0346 | 2 | Spacer, Sheave | |
| | 126009013 | 2 | Capscrew | |
| | 127004003 | 2 | Locknut | |
| 5 | J7M0871 | 1 | Spacer | |
| | 126009040 | 1 | Capscrew | |
| | 127004005 | 1 | Locknut | |
| 6 | J7M1110 | 1 | Tube | |
| | J7M1109 | 1 | Pin | |
| | D6M0500 | 1 | Pin, Hair | |
| 7 | R3L0015 | 1 | Rod | |
| | R3L0012 | 1 | Pin, Bowtie Cotter | |
| | 126009015 | 1 | Capscrew | |
| | 128003004 | 1 | Washer | |
| 8 | D6M0329 | 3 | Shim | |
| 9 | J7M1111 | 2 | Pin | |
| | 18M0818 | 2 | Pin, Lock | |
| 10 | J7M1175 | 1 | Pin | |
| | D6M0500 | 2 | Pin, Hair | |
| 11 | J6M0100 | 1 | T-Handle | |
| | D3M0222 | 1 | Pad, Swivel | |
| 12 | D6M0329 | 3 | Shim - AR | |
| 13 | J7M0666 | 8 | Sheave Assy | |
| | J7M0665 | 1 | Sheave | |
| | 1X 2550 | 2 | Bearing, Ball | |
| | 1X 3255 | 1 | Fitting, Grease | |
| 14 | D6M0329 | 6 | Shim | |
| 15 | D6M0329 | 3 | Shim - AR | |
| 16 | J7M1174 | 1 | Pin | |
| | D6M0500 | 2 | Pin, Hair | |
| 17 | R3M0344 | 1 | Shaft, Bottom | |
| | 126009099 | 1 | Capscrew | |

Fly Tip Storage Brackets

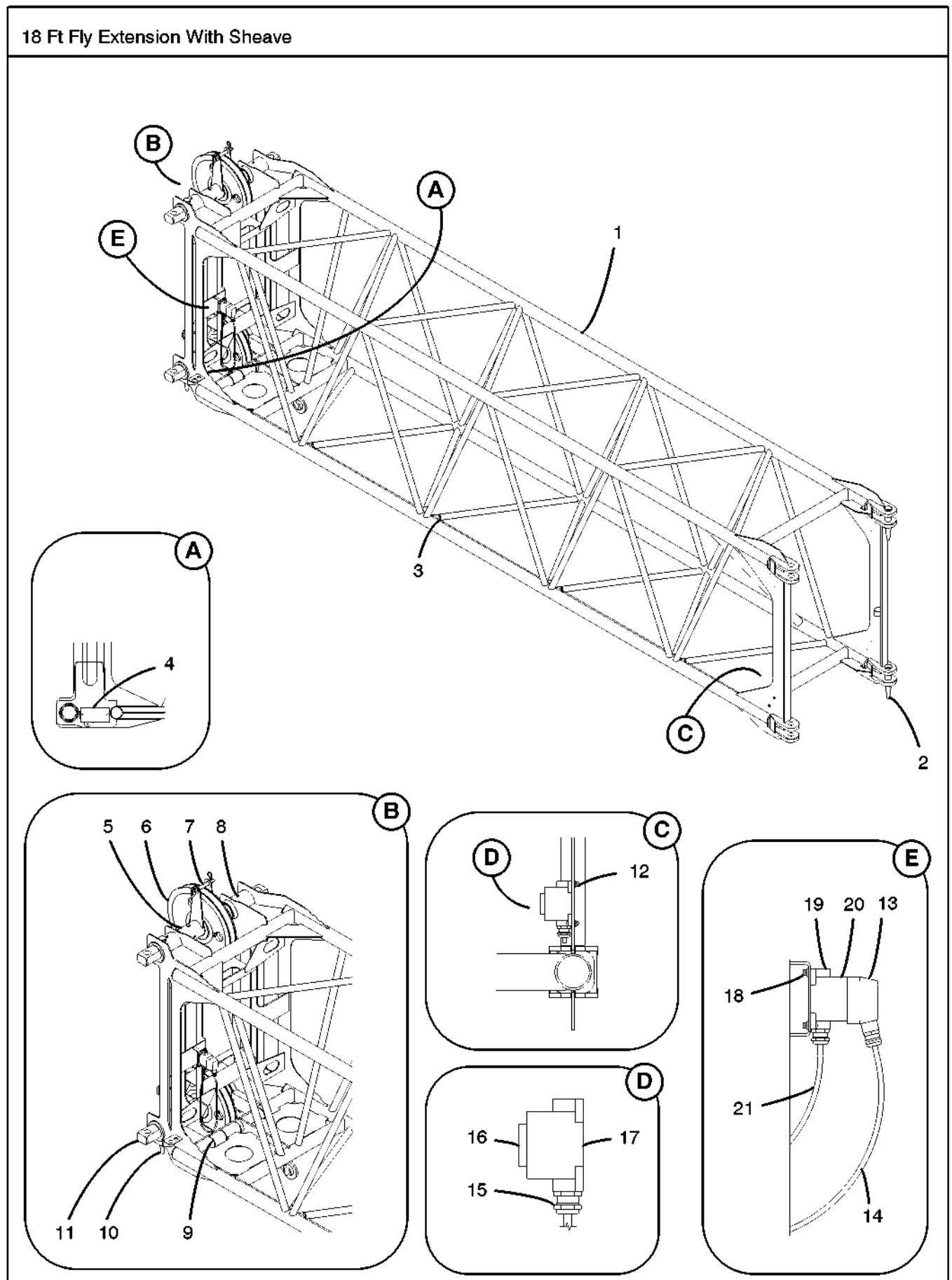


Parts List

0410

| Fly Tip Storage Brackets | | | | |
|--------------------------|-----------|-----|------------------|---------|
| REF | PART NO. | QTY | DESCRIPTION | REMARKS |
| 1 | J8M0472 | 1 | Bracket, Storage | |
| 2 | F7M0335 | 1 | Pin, Hitch | |
| | 16D0028 | 1 | Clip, Hitch Pin | |
| 3 | 126009029 | 2 | Capscrew | |
| | 128003006 | 4 | Washer | |
| | 127004005 | 2 | Locknut | |
| 4 | 1X 8003 | 1 | Bolt | |
| | 1X 0182 | 1 | Nut, Jam | |
| 5 | F2M0365 | 1 | Bracket, Storage | |
| | 126009015 | 2 | Capscrew | |
| | 128003004 | 4 | Washer | |
| | 127004003 | 2 | Locknut | |
| 6 | F2M0330 | 1 | Bracket, Storage | |
| | 126009029 | 3 | Capscrew | |
| | 128003006 | 3 | Washer | |
| 7 | F2M0327 | 1 | Bracket, Storage | |
| | 126009029 | 3 | Capscrew | |
| | 128003006 | 3 | Washer | |
| 8 | 1X 8003 | 1 | Bolt | |
| | 1X 0182 | 1 | Nut, Jam | |
| 9 | D6M0147 | 1 | Bracket, Storage | |
| | 126009015 | 2 | Capscrew | |
| | 128003004 | 4 | Washer | |
| | 127004003 | 2 | Locknut | |
| 10 | F2M0362 | 1 | Plate | |
| | 126009015 | 2 | Capscrew | |
| | 128003004 | 4 | Washer | |
| | 127004003 | 2 | Locknut | |
| 11 | 1X 7999 | 2 | Bolt | |
| | 1X 0182 | 2 | Nut, Jam | |
| 12 | J9M0134 | 1 | Bracket, Storage | |
| | D6M0463 | 1 | Rod, Threaded | |
| | 1X 0185 | 1 | Nut, Jam | |
| 13 | 126009027 | 2 | Capscrew | |
| | 128003006 | 2 | Washer | |

18 Ft Fly Extension With Sheave

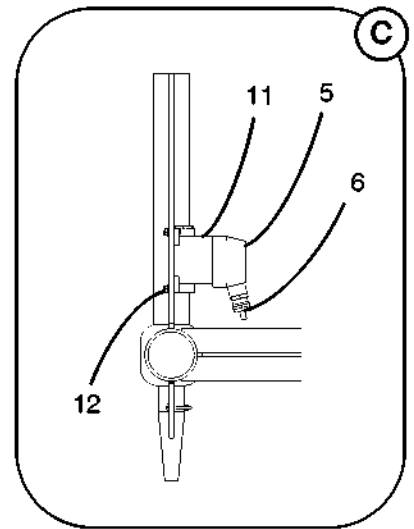
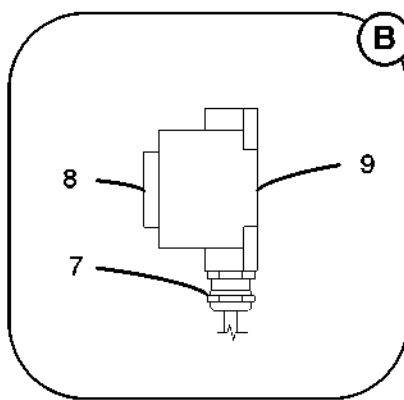
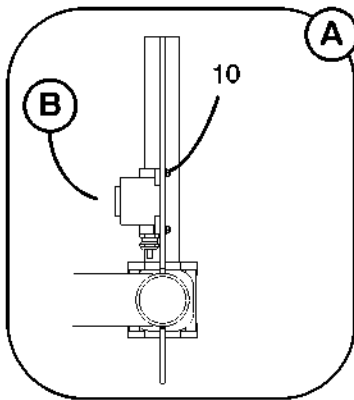
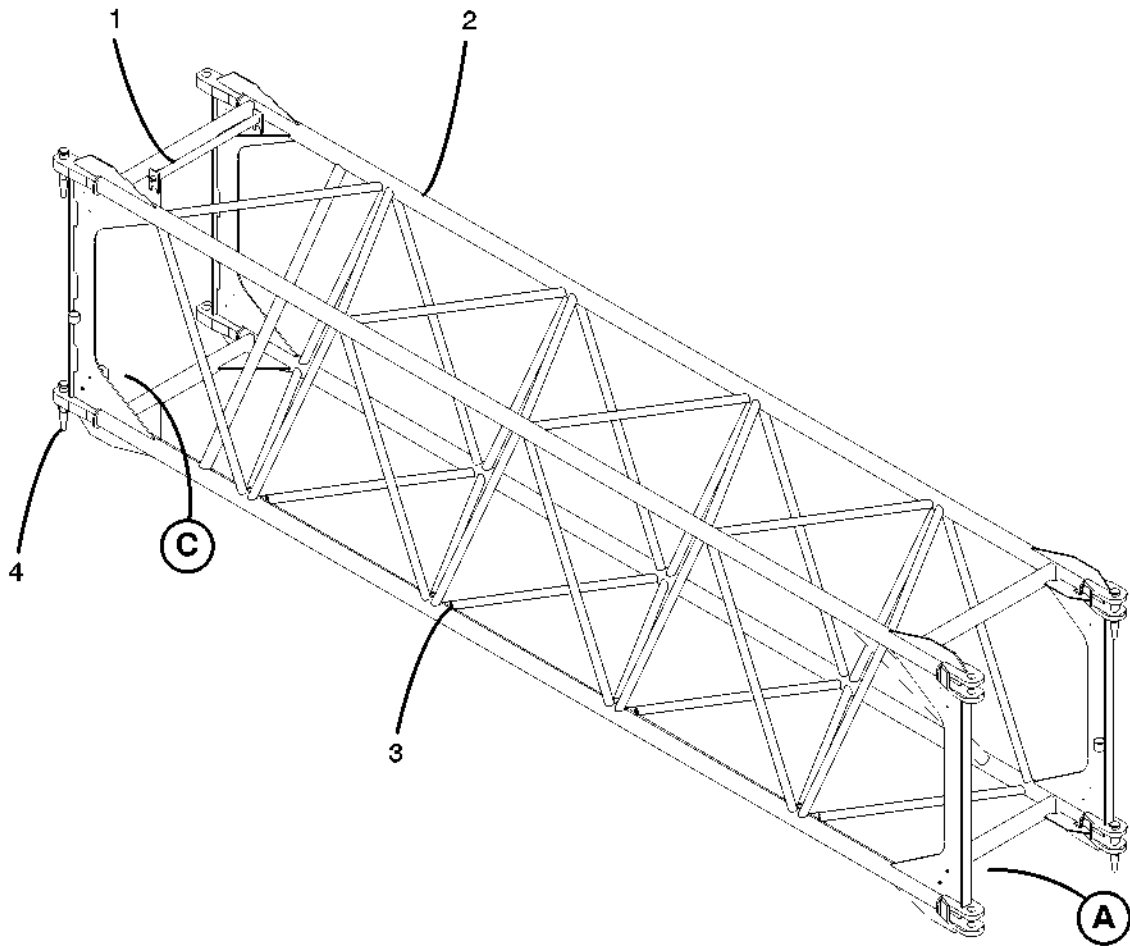


Parts List

0310

| 18 Ft Fly Extension With Sheave | | | | |
|---------------------------------|-----------|-----|--|---------|
| REF | PART NO. | QTY | DESCRIPTION | REMARKS |
| | J8M0423 | 1 | 18' Fly Extension Assy With Sheave | |
| 1 | J8M0422 | 1 | Extension, 18 Ft Fly | |
| 2 | J7M1111 | 2 | Pin | |
| | 18M0818 | 2 | Pin, Lock | |
| 3 | 71J0005 | 8 | Tie, Cable | |
| 4 | REF | 1 | Attachment ATB Switch Assy – See Keysheet 18–007 | |
| 5 | N3M0544 | 4 | Spacer | |
| | 126009040 | 4 | Capscrew | |
| | 127004005 | 4 | Locknut | |
| 6 | J7M0666 | 2 | Sheave Assy | |
| | J7M0665 | 1 | Sheave | |
| | 1X 2550 | 2 | Bearing, Ball | |
| | 1X 3255 | 1 | Fitting, Grease | |
| | D6M0329 | 8 | Shim | |
| 7 | 47M0295 | 2 | Pin, Hitch | |
| 8 | 1X 0812 | 4 | Fitting, Grease | |
| 9 | 71J0005 | 4 | Tie, Cable | |
| 10 | J7M1111 | 2 | Pin | |
| | 18M0818 | 2 | Pin, Lock | |
| 11 | R3M0394 | 2 | Shaft, Fly Extension | |
| 12 | 1X 7905 | 2 | Screw, Machine | |
| | 1X 1776 | 2 | Washer | |
| | 1X 4638 | 2 | Locknut | |
| | J8L0019 | 1 | ATB Connector Assy | |
| 13 | E8L0002 | 1 | Hood, ATB Plug | |
| | E8L0004 | 1 | Terminal, ATB Plug | |
| 14 | 829045021 | 1 | Cord, Service – 22' | |
| | E8L0035 | 1 | Relief, Metric Strain | |
| 15 | E8L0035 | 1 | Relief, Metric Strain | |
| 16 | E8L0003 | 1 | Terminal, ATB Receptacle | |
| 17 | E8L0001 | 1 | Base, ATB Receptacle | |
| 18 | 1X 7905 | 2 | Screw, Machine | |
| | 1X 1776 | 2 | Washer | |
| | 1X 4638 | 2 | Locknut | |
| 19 | N3L0008 | 1 | ATB Receptacle Assy | |
| | E8L0003 | 1 | Terminal, ATB Receptacle | |
| 20 | E8L0001 | 1 | Base, ATB Receptacle | |
| 21 | E8L0035 | 2 | Relief, Metric Strain | |
| | 829045041 | 1 | Cord, Service – 3.79' | |
| | E8R0056 | 2 | Terminal, Spade | |

18 Ft Fly Extension Assy

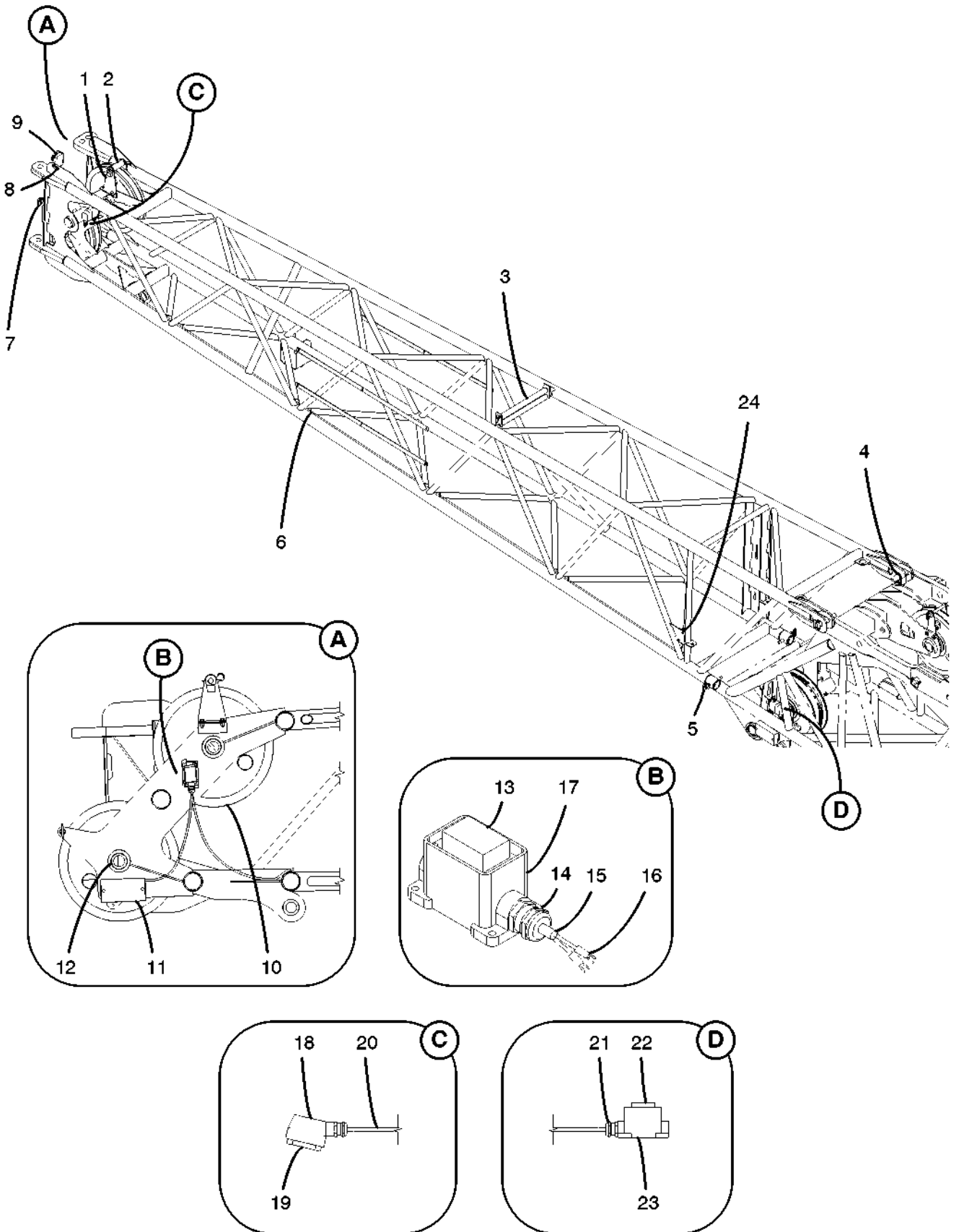


Parts List

0310

| 18 Ft Fly Extension Assy | | | | |
|--------------------------|-----------|-----|--------------------------|---------|
| REF | PART NO. | QTY | DESCRIPTION | REMARKS |
| 1 | R3M0390 | 1 | 18 Ft Fly Extension Assy | |
| | N3M0546 | 1 | Tubing | |
| | D6M0454 | 1 | Pin | |
| | 150007005 | 1 | Pin, Cotter | |
| 2 | R3M0325 | 1 | Extension, 18 Ft Fly | |
| 3 | 71J0005 | 8 | Tie, Cable | |
| 4 | J7M1111 | 4 | Pin | |
| | 18M0818 | 4 | Pin, Lock | |
| 5 | J8L0019 | 1 | ATB Connector Assy | |
| | E8L0002 | 1 | Hood, ATB Plug | |
| | E8L0004 | 1 | Terminal, ATB Plug | |
| 6 | 829045021 | 1 | Cord, Service – 22' | |
| | E8L0035 | 1 | Relief, Metric Strain | |
| 7 | E8L0035 | 1 | Relief, Metric Strain | |
| 8 | E8L0003 | 1 | Terminal, ATB Receptacle | |
| 9 | E8L0001 | 1 | Base, ATB Receptacle | |
| 10 | 1X 7905 | 2 | Screw, Machine | |
| | 1X 1776 | 2 | Washer | |
| | 1X 4638 | 2 | Locknut | |
| 11 | E8L0036 | 1 | Cap | |
| | E8L0001 | 1 | Base, ATB Receptacle | |
| 12 | 1X 7905 | 2 | Screw, Machine | |
| | 1X 1776 | 2 | Washer | |
| | 1X 4638 | 2 | Locknut | |

Fly Center Assy

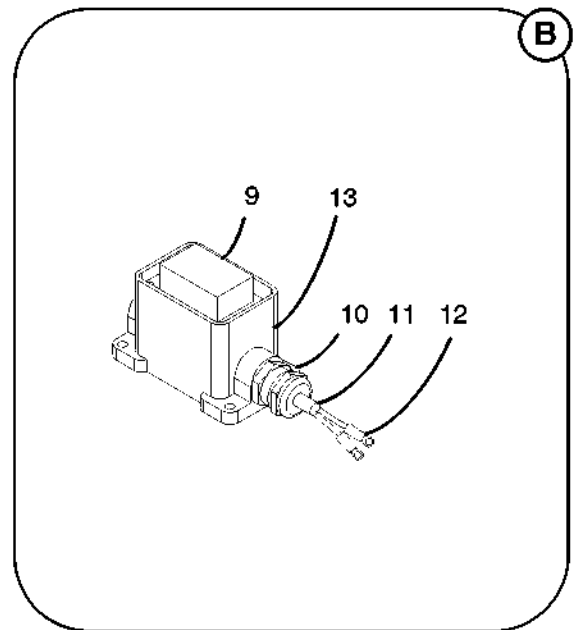
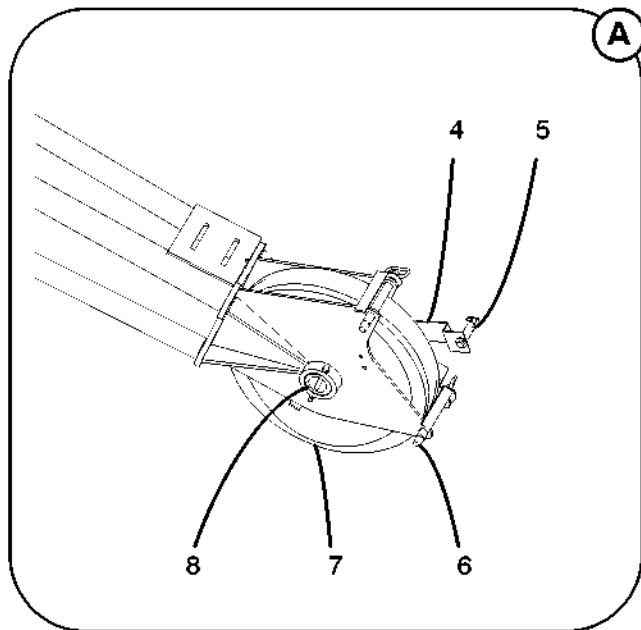
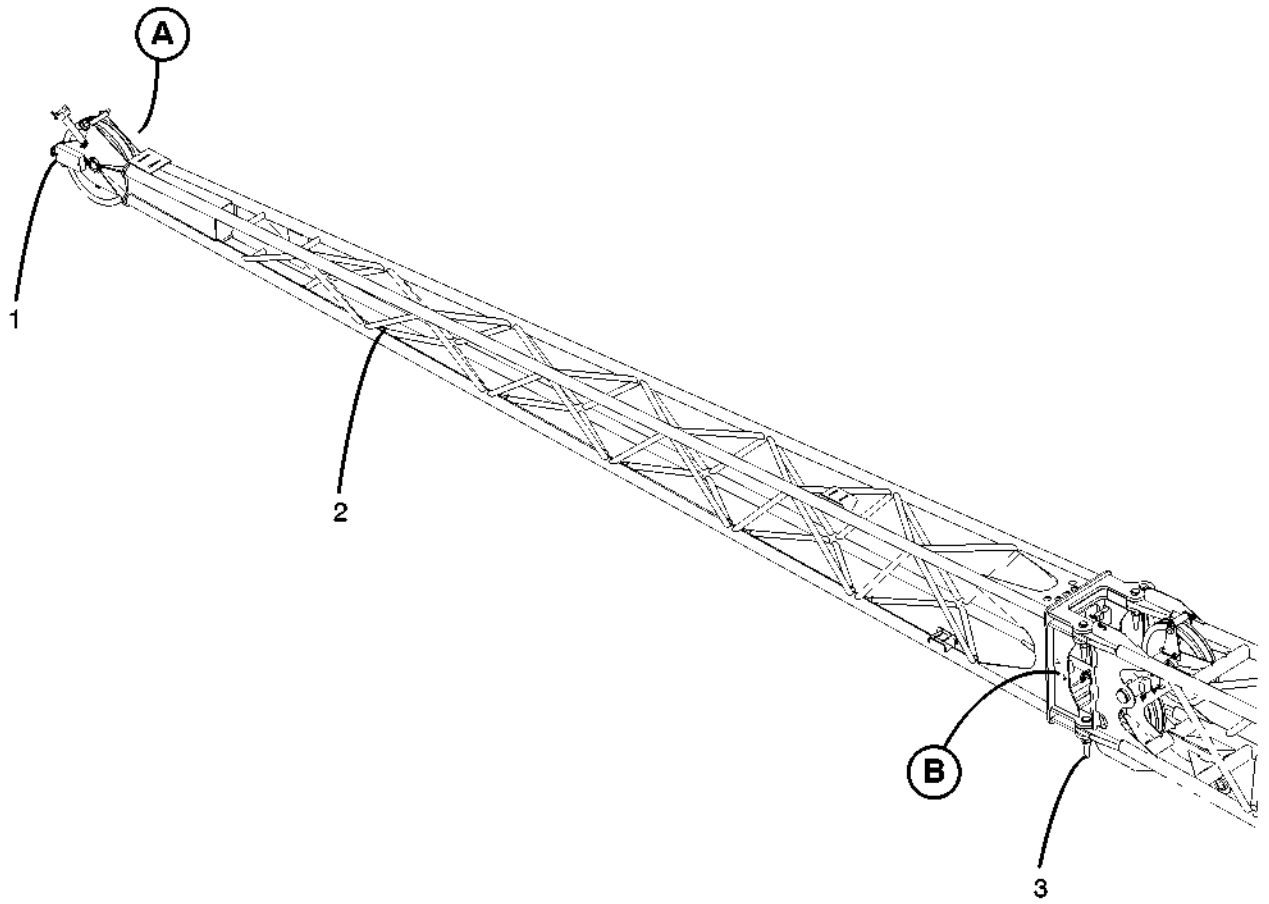


Parts List

0709

| Fly Center Assy | | | | |
|-----------------|-----------|-----|--|---------|
| REF | PART NO. | QTY | DESCRIPTION | REMARKS |
| 1 | J7M1128 | 2 | Bracket | |
| | 126009013 | 4 | Capscrew | |
| | 127004003 | 4 | Locknut | |
| 2 | J7M1130 | 1 | Tube | |
| | J7M1129 | 1 | Pin | |
| | D6M0500 | 1 | Pin, Hair | |
| 3 | J7M1127 | 1 | Tube | |
| | J7M1126 | 1 | Pin | |
| | 150007005 | 1 | Pin, Cotter | |
| 4 | J7M1394 | 2 | Pin | |
| | 18M0273 | 4 | Pin, Lock | |
| 5 | 47M0295 | 2 | Pin, Hitch | |
| 6 | REF | | ATB Cable | |
| | 71J0005 | 9 | Tie, Cable | |
| 7 | 47M0295 | 1 | Pin, Hitch | |
| 8 | N3M1008 | 1 | Plate | |
| | 126009014 | 2 | Capscrew | |
| | 128003004 | 4 | Washer | |
| | 127004003 | 2 | Locknut | |
| 9 | R3L0015 | 1 | Rod | |
| | R3L0012 | 1 | Pin, Bowtie Cotter | |
| | 126009015 | 1 | Capscrew | |
| | 128003004 | 1 | Washer | |
| 10 | J7M1123 | 2 | Sheave Assy | |
| | 1X 0812 | 1 | Fitting, Grease | |
| | 1X 1979 | 2 | Bearing, Ball | |
| | J7M1122 | 1 | Sheave, Nylon | |
| | 1D 0235 | 4 | Shim – AR | |
| 11 | REF | 1 | Attachment ATB Switch Assy – See Keysheet 18–007 | |
| 12 | J7M1124 | 2 | Pin | |
| | 126009089 | 2 | Capscrew | |
| | 127004003 | 2 | Locknut | |
| | E8L0009 | 1 | ATB Receptacle Assy | |
| 13 | E8L0003 | 1 | Terminal, ATB Receptacle | |
| 14 | E8L0035 | 1 | Relief, Metric Strain | |
| 15 | 829045041 | 1 | Cord, Service – 2.33' | |
| 16 | E8R0056 | 2 | Terminal, Spade | |
| 17 | E8L0001 | 1 | Base, ATB Receptacle | |
| | 1X 7905 | 2 | Screw, Machine | |
| | 1X 1776 | 2 | Washer | |
| | 1X 4638 | 2 | Locknut | |
| | J8L0002 | 1 | ATB Connector Plug/Receptacle Assy | |
| 18 | E8L0002 | 1 | Hood, ATB Plug | |
| | E8L0035 | 1 | Relief, Metric Strain | |
| 19 | E8L0004 | 1 | Terminal, ATB Plug | |
| 20 | 829045041 | 1 | Cord, Service – 24' | |
| 21 | E8L0035 | 1 | Relief, Metric Strain | |
| 22 | E8L0003 | 1 | Terminal, ATB Receptacle | |
| 23 | E8L0001 | 1 | Base, ATB Receptacle | |
| 24 | 1X 7905 | 2 | Screw, Machine | |
| | 1X 1776 | 2 | Washer | |
| | 1X 4638 | 2 | Locknut | |

Fly Tip Assy

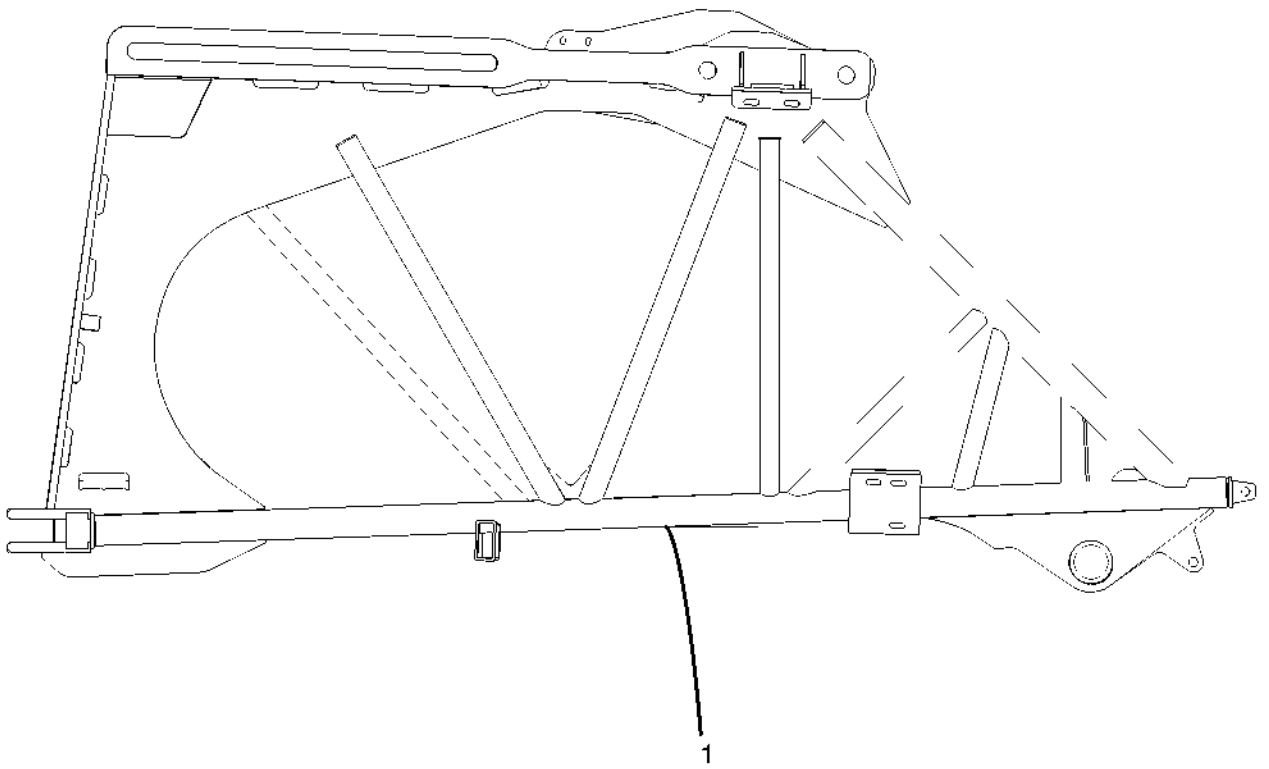


Parts List

0709

| Fly Tip Assy | | | | |
|--------------|-----------|-----|--|---------|
| REF | PART NO. | QTY | DESCRIPTION | REMARKS |
| 1 | J7M1111 | 6 | Pin | |
| | 18M0818 | 6 | Pin, Lock | |
| 2 | REF | | ATB Cable – 24' | |
| | 71J0005 | 13 | Tie, Cable | |
| 3 | REF | 1 | Attachment ATB Switch Assy – See Keysheet 18–007 | |
| 4 | R3L0015 | 1 | Rod | |
| | R3L0012 | 1 | Pin, Bowtie Cotter | |
| | 126009015 | 1 | Capscrew | |
| | 128003004 | 1 | Washer | |
| 5 | J8M0412 | 1 | Plate | |
| | 126009014 | 2 | Capscrew | |
| | 128003004 | 4 | Washer | |
| | 127004003 | 2 | Locknut | |
| 6 | 46A0584 | 2 | Pin, Hitch | |
| 7 | J7M1123 | 1 | Sheave Assy | |
| | 1X 0812 | 1 | Fitting, Grease | |
| | 1X 1979 | 2 | Ball, Bearing | |
| | J7M1122 | 1 | Sheave, Nylon | |
| | 1D 0235 | 2 | Shim – AR | |
| 8 | D6M0099 | 1 | Pin | |
| | 126009089 | 1 | Capscrew | |
| | 127004003 | 1 | Locknut | |
| 9 | D7L0008 | 1 | ATB Connector Receptacle Assy | |
| | E8L0003 | 1 | Terminal, ATB Receptacle | |
| 10 | E8L0035 | 1 | Relief, Metric Strain | |
| 11 | 829045041 | 1 | Cord, Service – 25' | |
| 12 | E8R0056 | 2 | Terminal, Spade | |
| 13 | E8L0001 | 1 | Base, ATB Receptacle | |
| | 1X 7906 | 2 | Screw, Machine | |
| | 1X 1776 | 2 | Washer | |
| | 1X 4638 | 2 | Locknut | |

10 Ft Fly Base

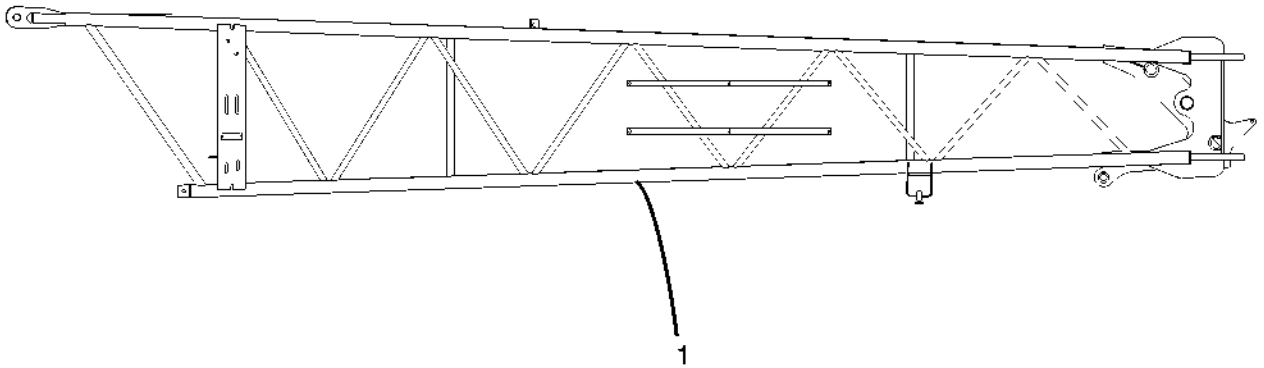


Parts List

0909

| 10 Ft Fly Base | | | | |
|----------------|----------|-----|-----------------|---------|
| REF | PART NO. | QTY | DESCRIPTION | REMARKS |
| 1 | J8M0430 | 1 | Base, 10 Ft Fly | |

21 Ft Fly Center



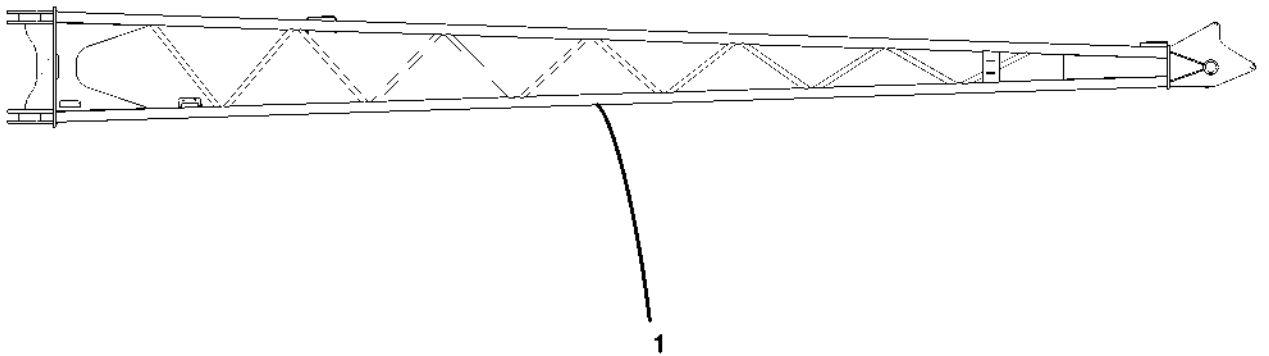
Parts List

0508

21 Ft Fly Center

| REF | PART NO. | QTY | DESCRIPTION | REMARKS |
|-----|----------|-----|-------------------|---------|
| 1 | J8M0047 | 1 | Center, 21 Ft Fly | |

24 Ft Fly Tip



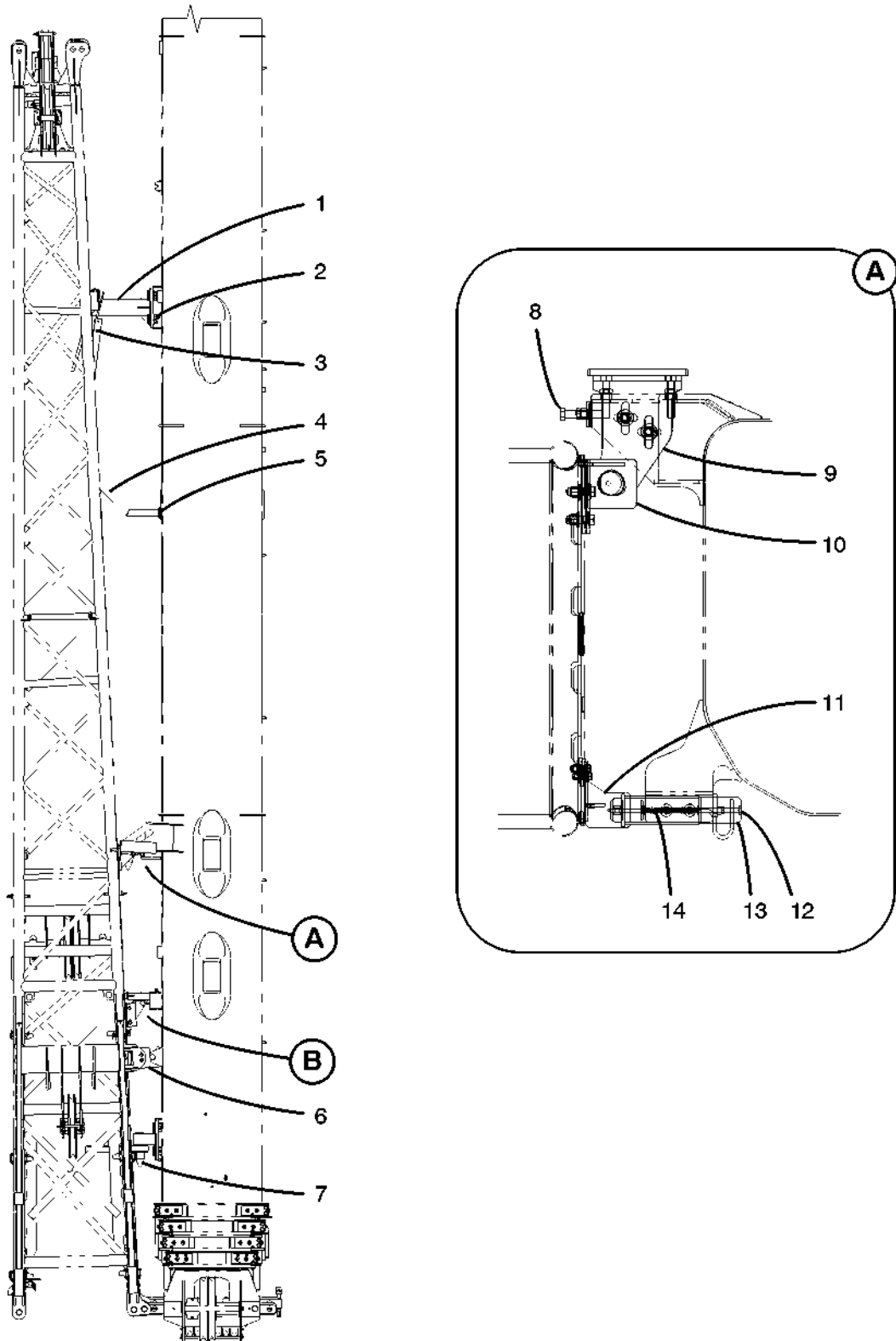
Parts List

0508

24 Ft Fly Tip

| REF | PART NO. | QTY | DESCRIPTION | REMARKS |
|-----|----------|-----|----------------|---------|
| 1 | J8M0089 | 1 | Tip, 24 Ft Fly | |

Fly Base & Center Storage Brackets

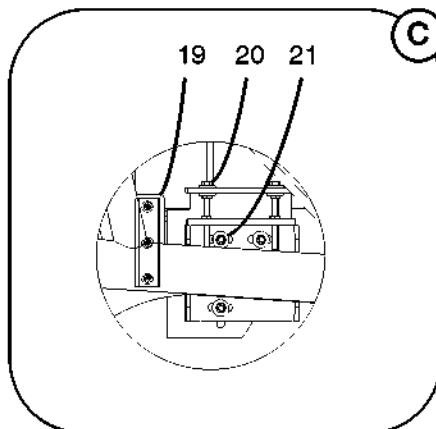
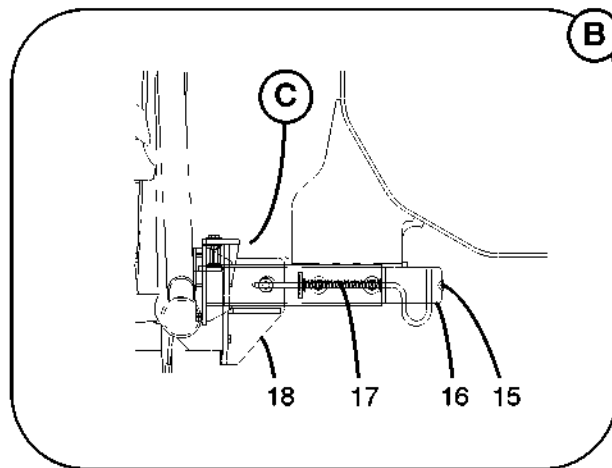


Parts List

0510

| Fly Base & Center Storage Brackets | | | | |
|------------------------------------|-----------|-----|----------------|---------|
| REF | PART NO. | QTY | DESCRIPTION | REMARKS |
| 1 | J8M0304 | 1 | Bracket | |
| | 1X 8233 | 2 | Bolt | |
| | 128003009 | 4 | Washer | |
| | 1X 0185 | 2 | Nut, Jam | |
| 2 | 126009061 | 4 | Capscrew | |
| | 128003009 | 8 | Washer | |
| | 127004007 | 4 | Locknut | |
| 3 | 126009015 | 3 | Capscrew | |
| | 128003004 | 6 | Washer | |
| | 127004003 | 3 | Locknut | |
| 4 | R3M0771 | 1 | Bracket | |
| 5 | 126009012 | 2 | Capscrew | |
| | 128003004 | 2 | Washer | |
| 6 | J8M0221 | 1 | Bracket | |
| | 126009017 | 2 | Capscrew | |
| | 128003004 | 4 | Washer | |
| | 127004003 | 2 | Locknut | |
| | 1X 8471 | 2 | Bolt | |
| | 128003006 | 4 | Washer | |
| 7 | 1X 0183 | 2 | Nut, Jam | |
| | J8M0404 | 1 | Bracket | |
| | 126009061 | 4 | Capscrew | |
| | 128003009 | 8 | Washer | |
| | 127004007 | 4 | Locknut | |
| | 1X 8233 | 2 | Bolt | |
| 8 | 128003009 | 4 | Washer | |
| | 1X 0185 | 2 | Nut, Jam | |
| | 1X 8000 | 3 | Bolt | |
| | 1X 0185 | 3 | Nut, Jam | |
| 9 | J8M0178 | 1 | Bracket | |
| | 126009061 | 2 | Capscrew | |
| | 128003009 | 4 | Washer | |
| | 127004007 | 2 | Locknut | |
| 10 | R3M0378 | 1 | Bracket | |
| | 126009061 | 2 | Capscrew | |
| | 128003009 | 4 | Washer | |
| | 127004007 | 2 | Locknut | |
| 11 | J8M0189 | 1 | Bracket | |
| | 126009029 | 2 | Capscrew | |
| | 128003006 | 4 | Washer | |
| | 127004005 | 2 | Locknut | |
| 12 | 1X 8032 | 1 | Bolt | |
| | 1X 0183 | 1 | Nut, Jam | |
| | J6M0093 | 1 | Bracket | |
| 13 | 126009036 | 2 | Capscrew | |
| | 128003006 | 4 | Washer | |
| | 127004005 | 2 | Locknut | |
| | F7M0450 | 1 | Pin, Retaining | |
| 14 | 128003004 | 2 | Washer | |
| | F7M0333 | 1 | Spring | |
| | 150007008 | 1 | Pin, Cotter | |
| 15 | 1X 8032 | 1 | Bolt | |
| | 1X 0183 | 1 | Nut, Jam | |

Fly Base & Center Storage Brackets

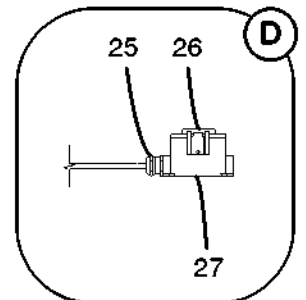
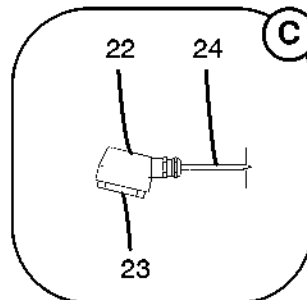
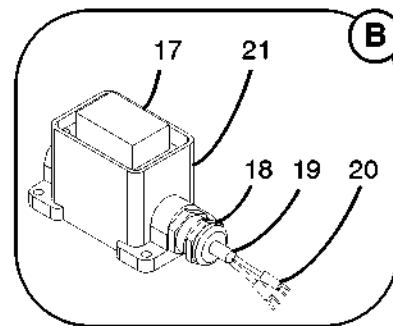
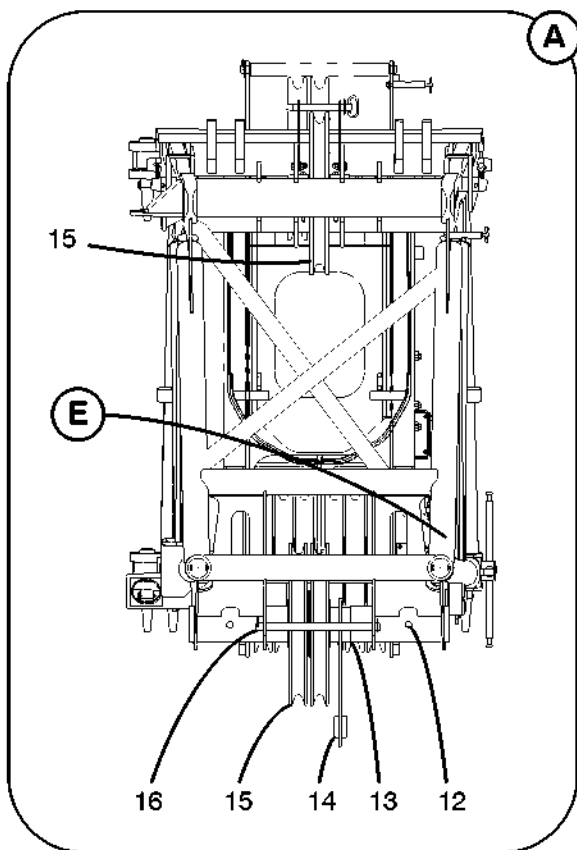
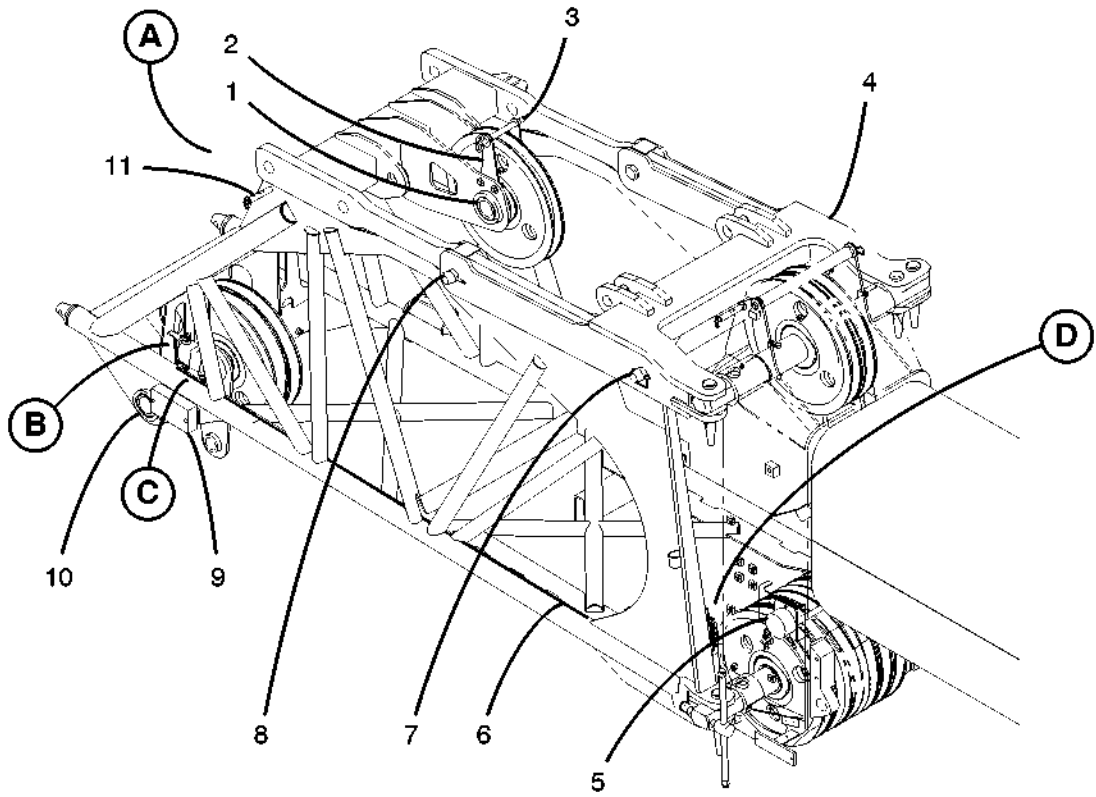


Parts List

0510

| Fly Base & Center Storage Brackets | | | | |
|------------------------------------|-----------|-----|----------------|---------|
| REF | PART NO. | QTY | DESCRIPTION | REMARKS |
| 16 | J8M0108 | 1 | Bracket | |
| | 126009036 | 2 | Capscrew | |
| | 128003006 | 4 | Washer | |
| | 127004005 | 2 | Locknut | |
| 17 | F7M0450 | 1 | Pin, Retaining | |
| | 128003004 | 2 | Washer | |
| | F7M0333 | 1 | Spring | |
| | 150007008 | 1 | Pin, Cotter | |
| 18 | J8M0433 | 1 | Bracket | |
| 19 | J8M0212 | 1 | Pad | |
| | 1X 0650 | 3 | Screw, Machine | |
| 20 | 1X 8003 | 2 | Bolt | |
| | 128003004 | 4 | Washer | |
| | 1X 0182 | 2 | Nut, Jam | |
| 21 | 126009015 | 3 | Capscrew | |
| | 128003004 | 6 | Washer | |
| | 127004003 | 3 | Locknut | |

Hydraulic Fly Base Assy

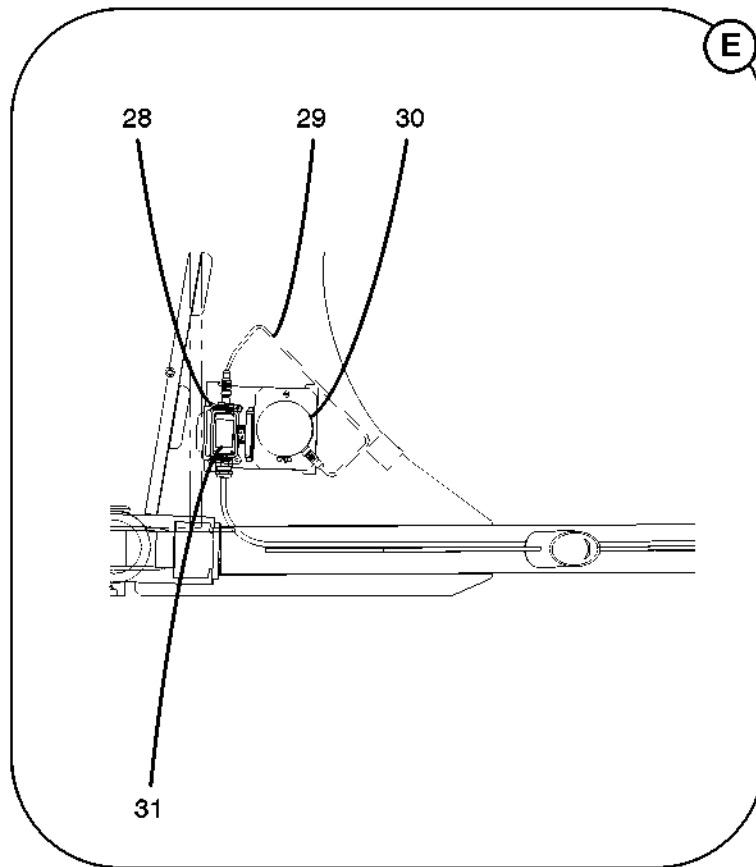


Parts List

1109

| Hydraulic Fly Base Assy | | | | |
|-------------------------|-----------|-----|--|---------|
| REF | PART NO. | QTY | DESCRIPTION | REMARKS |
| 1 | J8M0154 | 1 | Tubing | |
| | 126009101 | 2 | Capscrew | |
| | 127004003 | 2 | Locknut | |
| 2 | J8M0172 | 2 | Plate | |
| | 126009015 | 4 | Capscrew | |
| | 128003004 | 8 | Washer | |
| | 127004003 | 4 | Locknut | |
| 3 | 46A0584 | 1 | Pin, Hitch | |
| 4 | J8M0446 | 1 | Mount, Cylinder | |
| | J7M1111 | 4 | Pin | |
| | 18M0818 | 4 | Pin, Lock | |
| 5 | J8L0004 | 1 | Sensor, Angle | |
| | 1X 7905 | 2 | Screw, Machine | |
| | 1X 1776 | 2 | Washer | |
| | 1X 4638 | 2 | Locknut | |
| 6 | REF | | ATB Cable – 12' | |
| | 71J0005 | 5 | Tie, Cable | |
| 7 | J8M0280 | 2 | Pin | |
| | 18M0273 | 2 | Pin, Lock | |
| 8 | J8M0280 | 2 | Pin | |
| | 150007029 | 2 | Pin, Cotter | |
| 9 | REF | 1 | Attachment ATB Switch Assy – See Keysheet 18–007 | |
| 10 | J8M0092 | 1 | Shaft | |
| 11 | R3L0015 | 1 | Rod | |
| | R3L0012 | 1 | Pin, Bowtie Cotter | |
| | 126009015 | 1 | Capscrew | |
| | 128003004 | 1 | Washer | |
| 12 | 126009040 | 2 | Capscrew | |
| | 127004005 | 2 | Locknut | |
| 13 | D6M0329 | 1 | Shim – AR | |
| 14 | J8M0099 | 1 | Link, Dead End | |
| 15 | J7M0666 | 3 | Sheave Assy | |
| | 1X 3255 | 1 | Fitting, Grease | |
| | 1X 2550 | 2 | Bearing, Ball | |
| | J7M0665 | 1 | Sheave, Nylon | |
| | D6M0329 | 5 | Shim – AR | |
| 16 | D6M0432 | 1 | Pin | |
| | D6M0500 | 1 | Pin, Hair | |
| | E8L0009 | 1 | ATB Receptacle Assy | |
| 17 | E8L0003 | 1 | Terminal, ATB Receptacle | |
| 18 | E8L0035 | 1 | Relief, Metric Strain | |
| 19 | 829045041 | 1 | Cord, Service – 2.33' | |
| 20 | E8R0056 | 2 | Terminal, Spade | |
| 21 | E8L0001 | 1 | Base, ATB Receptacle | |
| | 1X 7905 | 2 | Screw, Machine | |
| | 1X 1776 | 2 | Washer | |
| | 1X 4638 | 2 | Locknut | |

Hydraulic Fly Base Assy

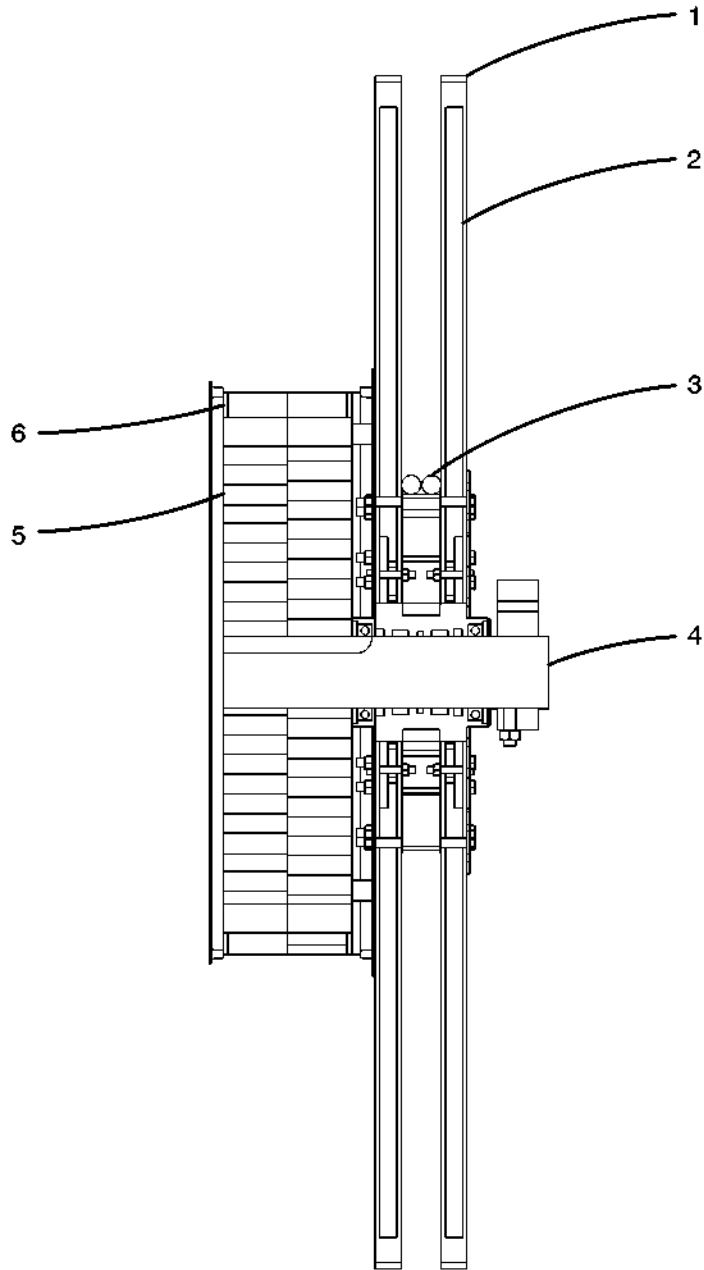


Parts List

1109

| Hydraulic Fly Base Assy | | | | |
|-------------------------|-----------|-----|------------------------------------|---------|
| REF | PART NO. | QTY | DESCRIPTION | REMARKS |
| | J8L0010 | 1 | ATB Connector Plug/Receptacle Assy | |
| 22 | E8L0002 | 1 | Hood, ATB Plug | |
| | E8L0035 | 1 | Relief, Metric Strain | |
| 23 | E8L0004 | 1 | Terminal, ATB Plug | |
| 24 | 829045041 | 1 | Cord, Service – 13' | |
| 25 | E8L0035 | 1 | Relief, Metric Strain | |
| 26 | E8L0003 | | Terminal, ATB Receptacle | |
| 27 | J8L0008 | 1 | Base, ATB Receptacle | |
| | 1X 7905 | 2 | Screw, Machine | |
| | 1X 1776 | 2 | Washer | |
| | 1X 4638 | 2 | Locknut | |
| 28 | J8L0006 | 1 | Receptacle | |
| 29 | J8R0059 | 1 | Cable, 4–Pin | |
| 30 | J8L0004 | 1 | Sensor, Angle | |
| | 1X 7905 | 2 | Screw, Machine | |
| | 1X 1776 | 2 | Washer | |
| | 1X 4638 | 2 | Locknut | |
| 31 | REF | | ATB Receptacle Base | |

Hose Reel Assy

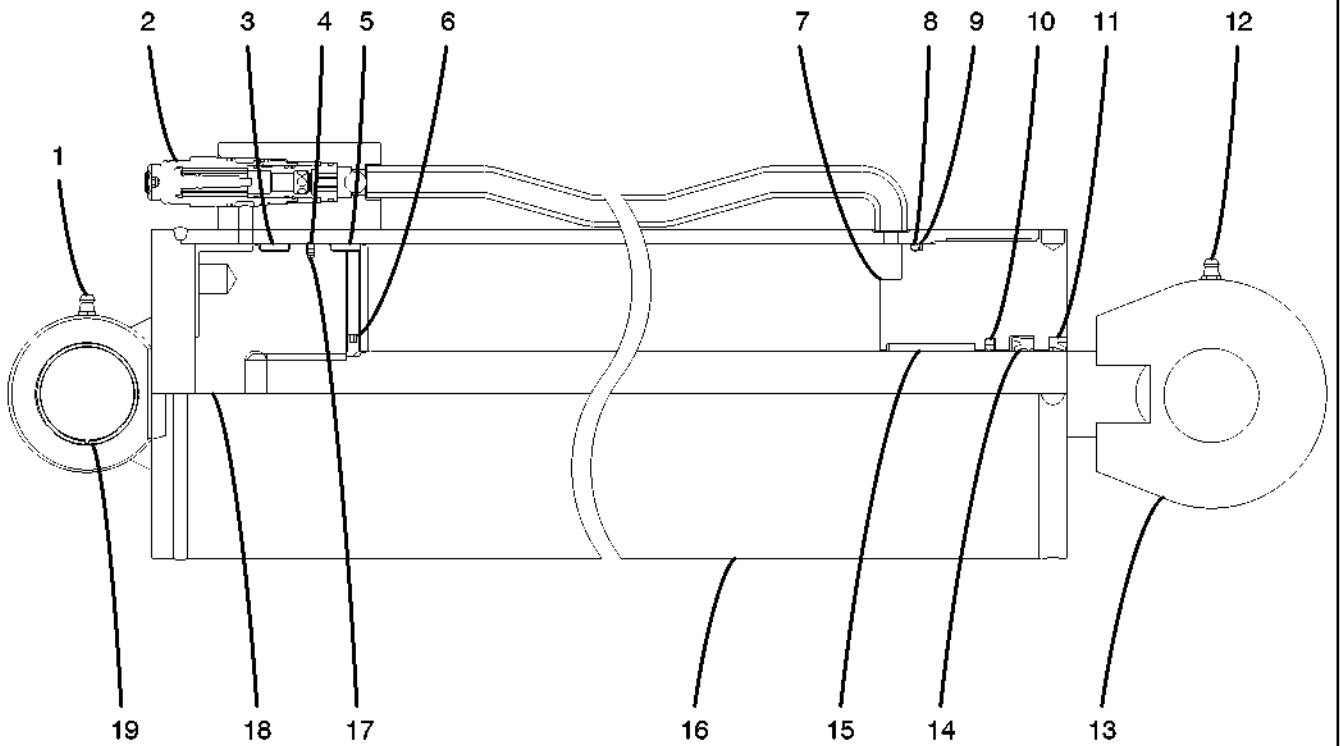


Parts List

1008

| Hose Reel Assy | | | | |
|----------------|----------|-----|----------------|---------|
| REF | PART NO. | QTY | DESCRIPTION | REMARKS |
| | J8J0237 | 1 | Hose Reel Assy | |
| 1 | 3J 18318 | 2 | Ring | |
| 2 | 3J 18319 | 20 | Arm, Torque | |
| 3 | 3J 18321 | 1 | Hose, Double | |
| 4 | 3J 18316 | 1 | Tube, Rotary | |
| 5 | 3J 18317 | 2 | Spring | |
| 6 | 3J 18320 | 2 | Gasket | |

Hydraulic Offset Fly Cylinder Assy

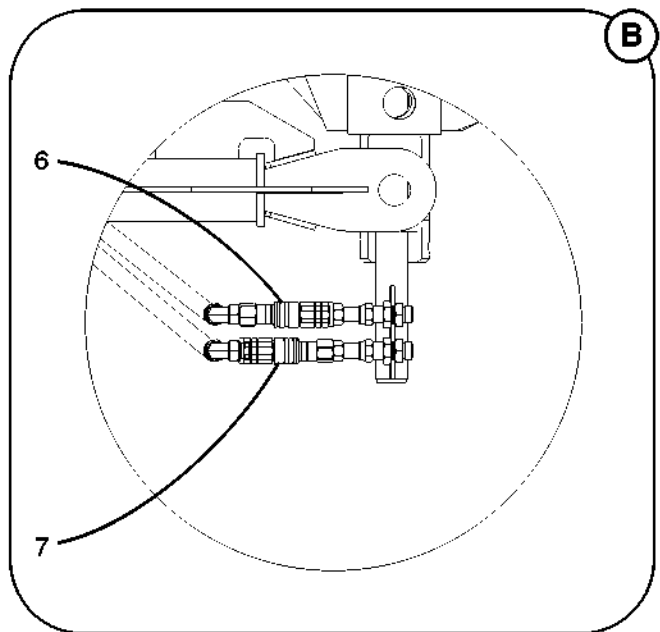
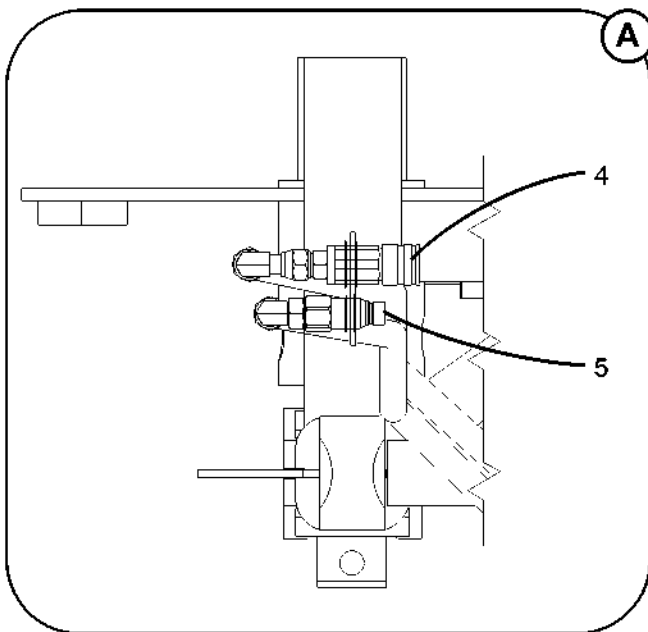
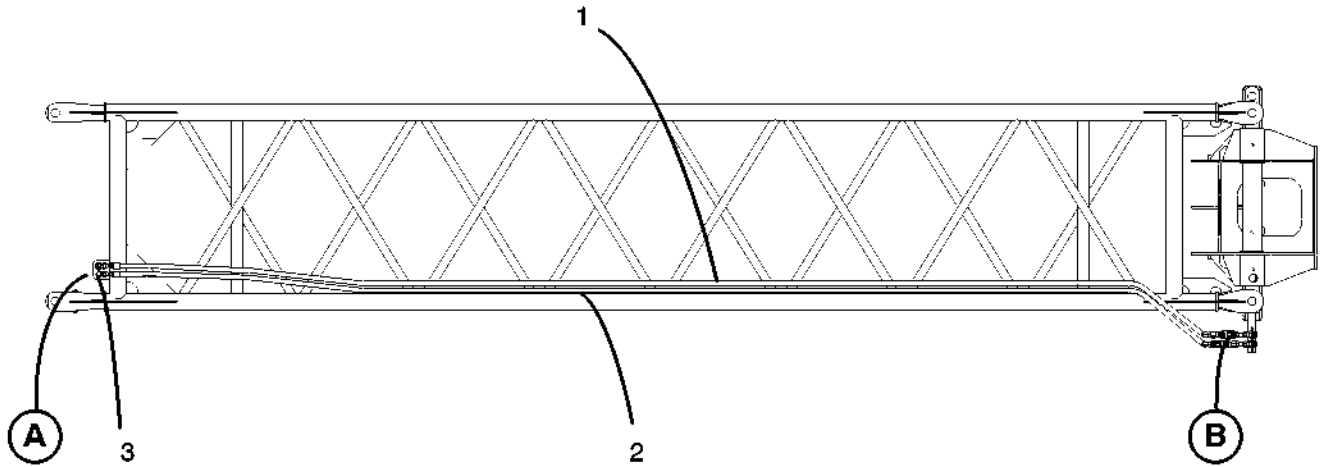


Parts List

1108

| Hydraulic Offset Fly Cylinder Assy | | | | |
|------------------------------------|----------|-----|------------------------------------|---------|
| REF | PART NO. | QTY | DESCRIPTION | REMARKS |
| | J8J0435 | 1 | Hydraulic Offset Fly Cylinder Assy | |
| 1 | 1X 5335 | 1 | Fitting, Grease | |
| 2 | J8J0251 | 1 | Cartridge, Counterbalance | |
| | 3J 11689 | 1 | Kit, Seal | |
| 3 | J7J0307 | 1 | Ring, Wear | KA |
| 4 | J8J0427 | 1 | Ring, Piston | KA |
| 5 | J7J0307 | 1 | Ring, Wear | KA |
| 6 | 36J0356 | 1 | Setscrew | |
| 7 | J8J0429 | 1 | Gland | |
| 8 | 9E 0053 | 1 | O-ring | KA |
| 9 | 28J2415 | 1 | Ring, Back Up | KA |
| 10 | 69J0071 | 1 | Seal | KA |
| 11 | D6J0305 | 1 | Wiper, Rod | KA |
| 12 | 1X 5335 | 1 | Fitting, Grease | |
| 13 | J8J0398 | 1 | Rod | |
| 14 | D6J0304 | 1 | Seal, Rod | KA |
| 15 | J8J0246 | 1 | Ring, Wear | KA |
| 16 | J8J0431 | 1 | Case | |
| 17 | J8J0428 | 1 | Seal, Square Ring | KA |
| 18 | J8J0430 | 1 | Piston | |
| 19 | J8J0232 | 2 | Bushing | |
| | 3J 18327 | 1 | Kit, Seal – All Items Marked KA | |

Fly Extension Plumbing

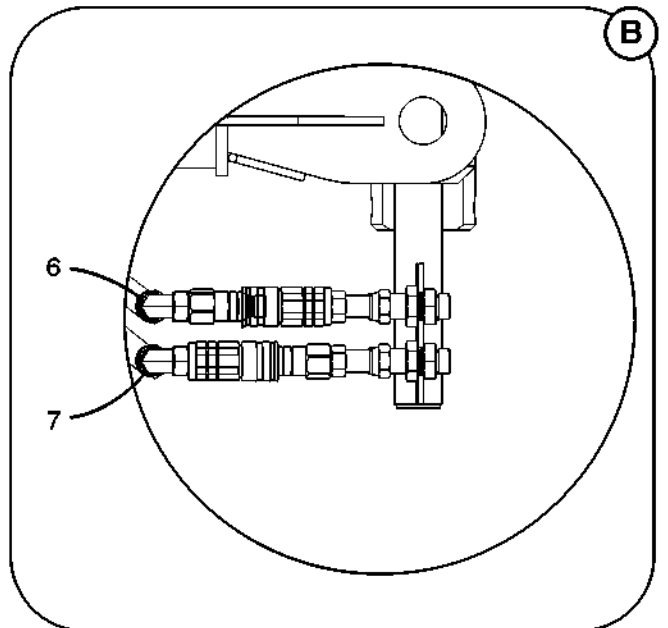
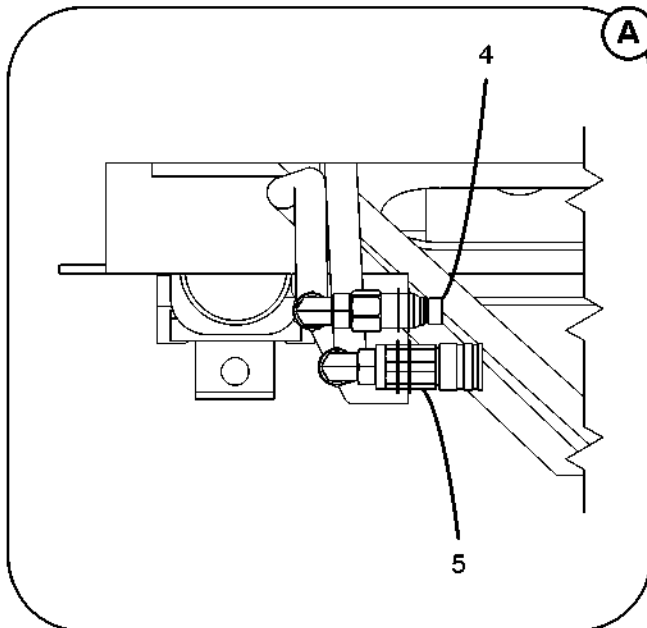
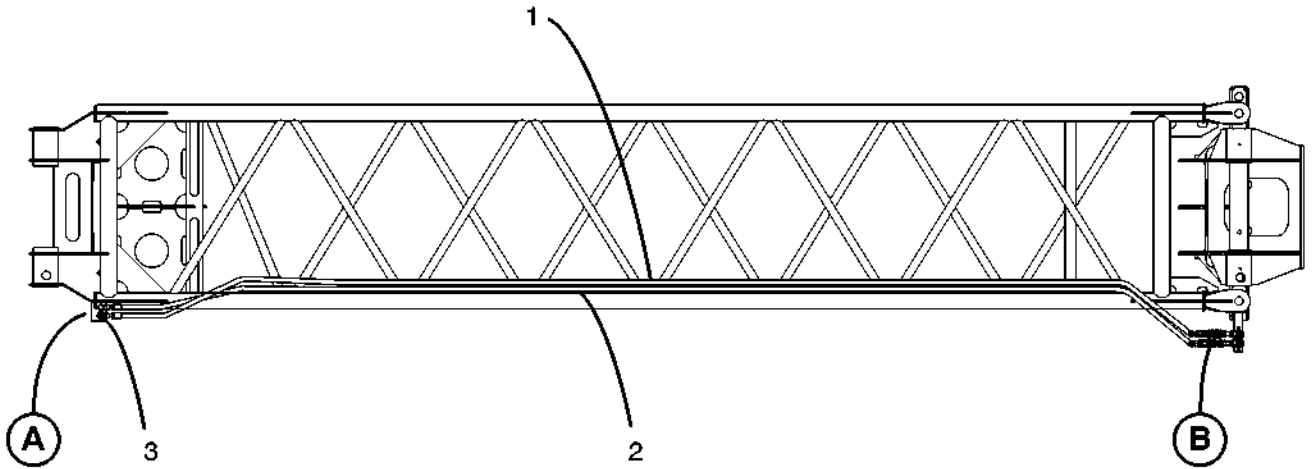


Parts List

0909

| Fly Extension Plumbing | | | | |
|------------------------|----------|-----|------------------------|---------|
| REF | PART NO. | QTY | DESCRIPTION | REMARKS |
| 1 | J8J0335 | 1 | Hose Assy – Extend | |
| 2 | J8J0335 | 1 | Hose Assy – Retract | |
| 3 | J8M0439 | 2 | Washer, Bulkhead – AR | |
| 4 | 28J3958 | 1 | Coupling | |
| | 1X 0061 | 2 | Ring, Snap | |
| | 1X 7371 | 1 | Connector | |
| | 1X 7405 | 1 | Elbow | |
| 5 | 28J3957 | 1 | Coupling, Bulkhead | |
| | 1X 7388 | 1 | Elbow | |
| | 1X 1739 | 2 | Ring, Retaining | |
| 6 | 28J3957 | 1 | Coupling, Bulkhead | |
| | 1X 7388 | 1 | Elbow | |
| 7 | 28J3958 | 1 | Coupling | |
| | 1X 7388 | 1 | Elbow | |
| | 71J0005 | 8 | Tie, Cable – Not Shown | |

Fly Extension W/Sheave Plumbing

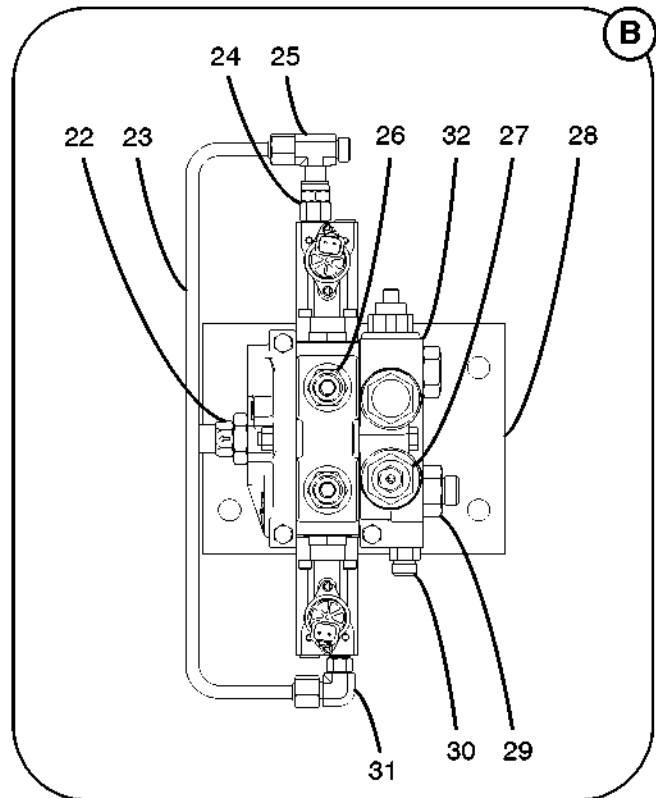
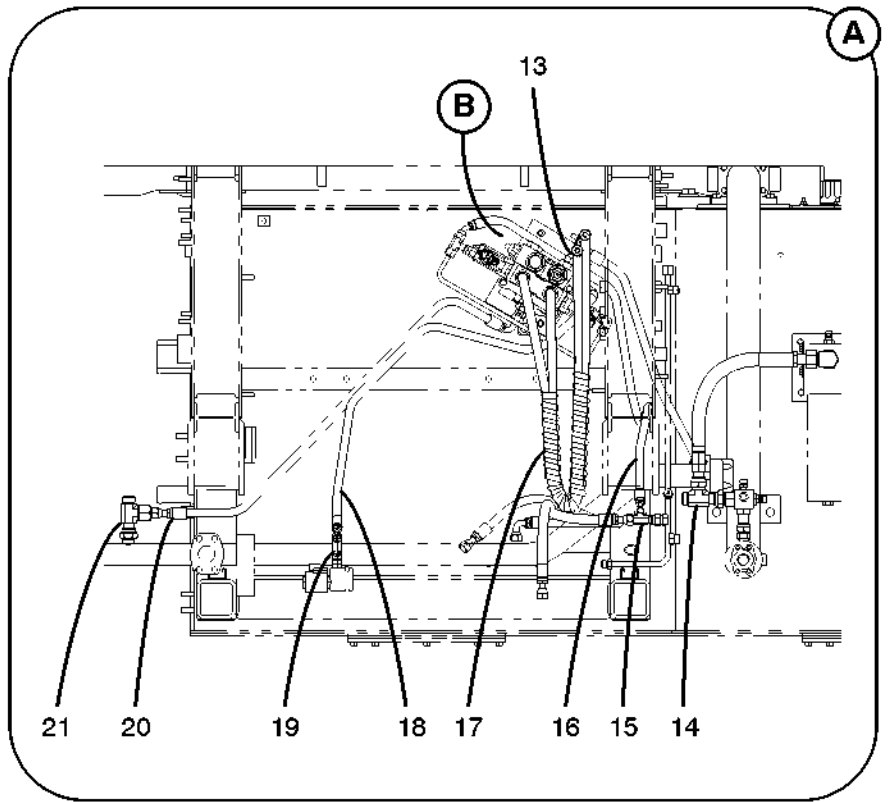
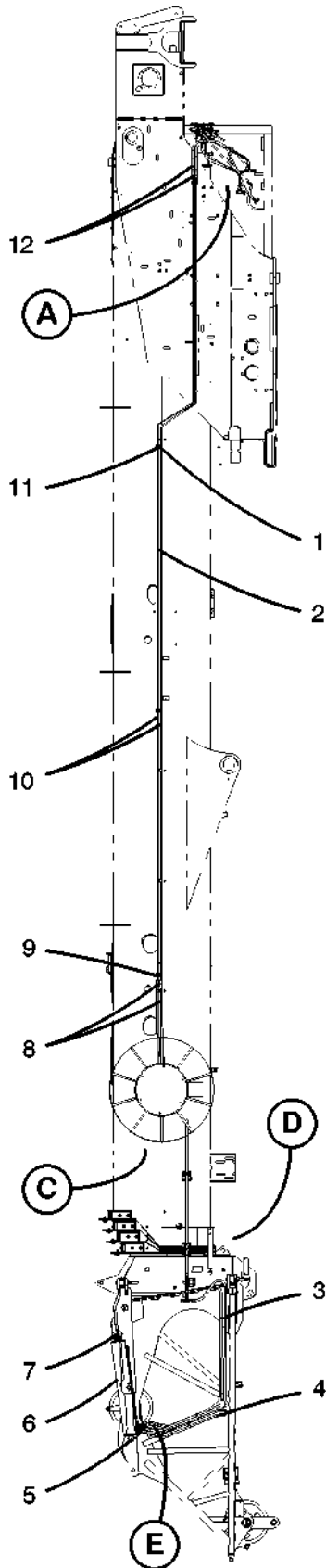


Parts List

0909

| Fly Extension W/Sheave Plumbing | | | | |
|---------------------------------|----------|-----|------------------------|---------|
| REF | PART NO. | QTY | DESCRIPTION | REMARKS |
| 1 | J8J0335 | 1 | Hose Assy – Extend | |
| 2 | J8J0335 | 1 | Hose Assy – Retract | |
| 3 | J8M0439 | 1 | Washer, Bulkhead – AR | |
| 4 | 28J3957 | 1 | Coupling, Bulkhead | |
| | 1X 7388 | 1 | Elbow | |
| | 1X 1739 | 2 | Ring, Retaining | |
| 5 | 28J3958 | 1 | Coupling | |
| | 1X 0061 | 2 | Ring, Snap | |
| | 1X 7388 | 1 | Elbow | |
| 6 | 28J3957 | 1 | Coupling, Bulkhead | |
| | 1X 7388 | 1 | Elbow | |
| 7 | 28J3958 | 1 | Coupling | |
| | 1X 7388 | 1 | Elbow | |
| | 71J0005 | 8 | Tie, Cable – Not Shown | |

Hydraulic Offset Fly Plumbing

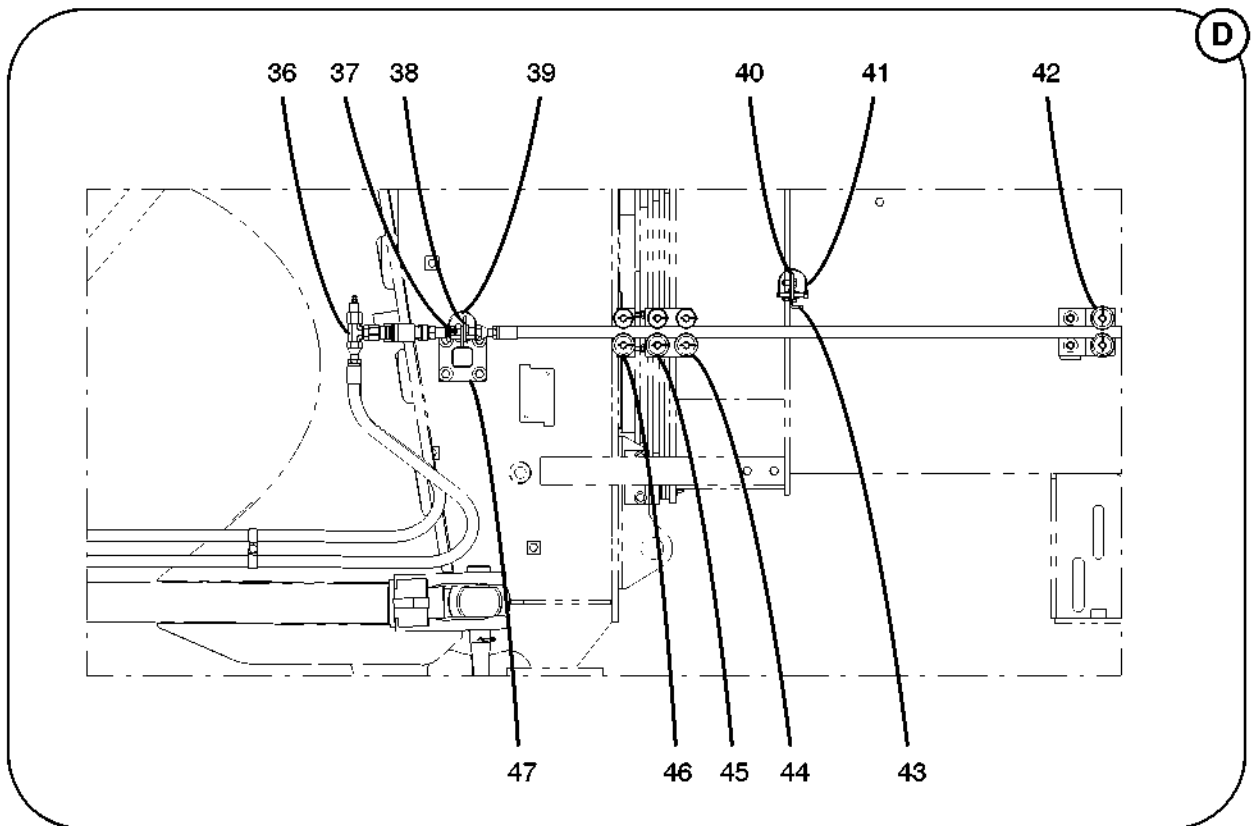
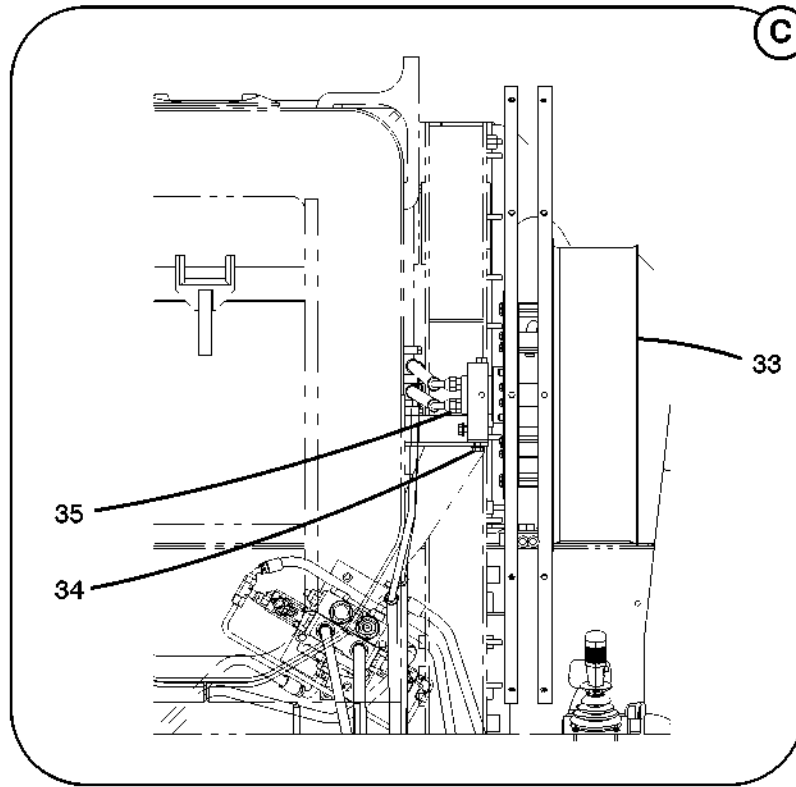


Parts List

0311

| Hydraulic Offset Fly Plumbing | | | | |
|-------------------------------|-----------|-----|--|---------|
| REF | PART NO. | QTY | DESCRIPTION | REMARKS |
| 1 | R3J0362 | 1 | Tube Assy | |
| 2 | 5Z 0621 | 14 | Clamp | |
| | 126009012 | 8 | Capscrew | |
| 3 | 1X 7192 | 4 | Clamp | |
| | 126009099 | 2 | Capscrew | |
| 4 | 5Z 0623 | 6 | Clamp – 0.69" Dia | |
| | 5Z 0621 | 3 | Clamp – 0.5" Dia | |
| | 126009099 | 3 | Capscrew | |
| 5 | J8M0158 | 2 | Pin | |
| | 150007029 | 2 | Pin, Cotter | |
| 6 | REF | 2 | Hydraulic Offset Fly Cylinder Assy – See Keysheet 17–011 | |
| 7 | J8M0103 | 2 | Pin | |
| | 150007029 | 2 | Pin, Cotter | |
| 8 | F3J0075 | 2 | Hose Assy | |
| | 1X 7192 | 2 | Clamp | |
| | 126009012 | 1 | Capscrew | |
| 9 | 1X 8230 | 2 | Union | |
| 10 | J8J0249 | 4 | Tube Assy | |
| 11 | R3J0361 | 1 | Tube Assy | |
| 12 | D6J0169 | 2 | Hose Assy | |
| | 1X 5487 | 2 | Clamp | |
| 13 | J7J0443 | 1 | Hose Assy | |
| 14 | 1X 7417 | 1 | Tee | |
| | 1X 7432 | 1 | Reducer | |
| | 1X 7364 | 1 | Nut, Tube | |
| 15 | 1X 7415 | 1 | Tee | |
| 16 | R3J0364 | 1 | Hose Assy | |
| 17 | 850065004 | 1 | Wrap, Hose – 3' | |
| 18 | E8J0428 | 1 | Hose Assy | |
| 19 | 1X 7414 | 1 | Tee | |
| 20 | L8J0158 | 1 | Hose Assy | |
| 21 | 1X 7417 | 1 | Tee | |
| | 1X 7432 | 1 | Reducer | |
| | 1X 7364 | 1 | Nut, Tube | |
| | J8J0258 | 1 | Hydraulic Offset Fly Control Valve S/A | NSS |
| 22 | J8J0261 | 1 | Valve, Check | |
| | 1X 4919 | 1 | Reducer | |
| 23 | R3J0175 | 1 | Tube Assy | |
| 24 | 1X 7367 | 1 | Connector | |
| 25 | 1X 7410 | 1 | Tee | |
| 26 | 1X 7456 | 2 | Connector | |
| 27 | 43J2552 | 1 | Coupler, Quick Disconnect | |
| 28 | R3J0176 | 1 | Plate | |
| | 126009113 | 3 | Capscrew | |
| | 128003002 | 3 | Washer | |
| | 127004002 | 3 | Locknut | |
| 29 | 1X 7454 | 1 | Connector | |
| 30 | 1X 7368 | 1 | Connector | |
| 31 | 1X 7458 | 1 | Elbow | |
| 32 | REF | 1 | Hyd Offset Fly Control Valve Assy – See Keysheet 07–008 | |
| | 126009012 | 3 | Capscrew | |
| | 128003004 | 3 | Washer | |

Hydraulic Offset Fly Plumbing

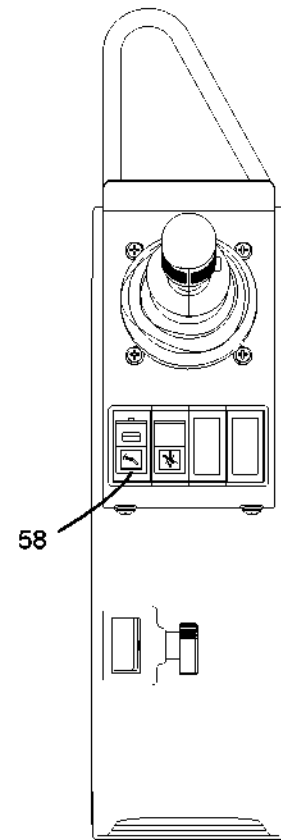
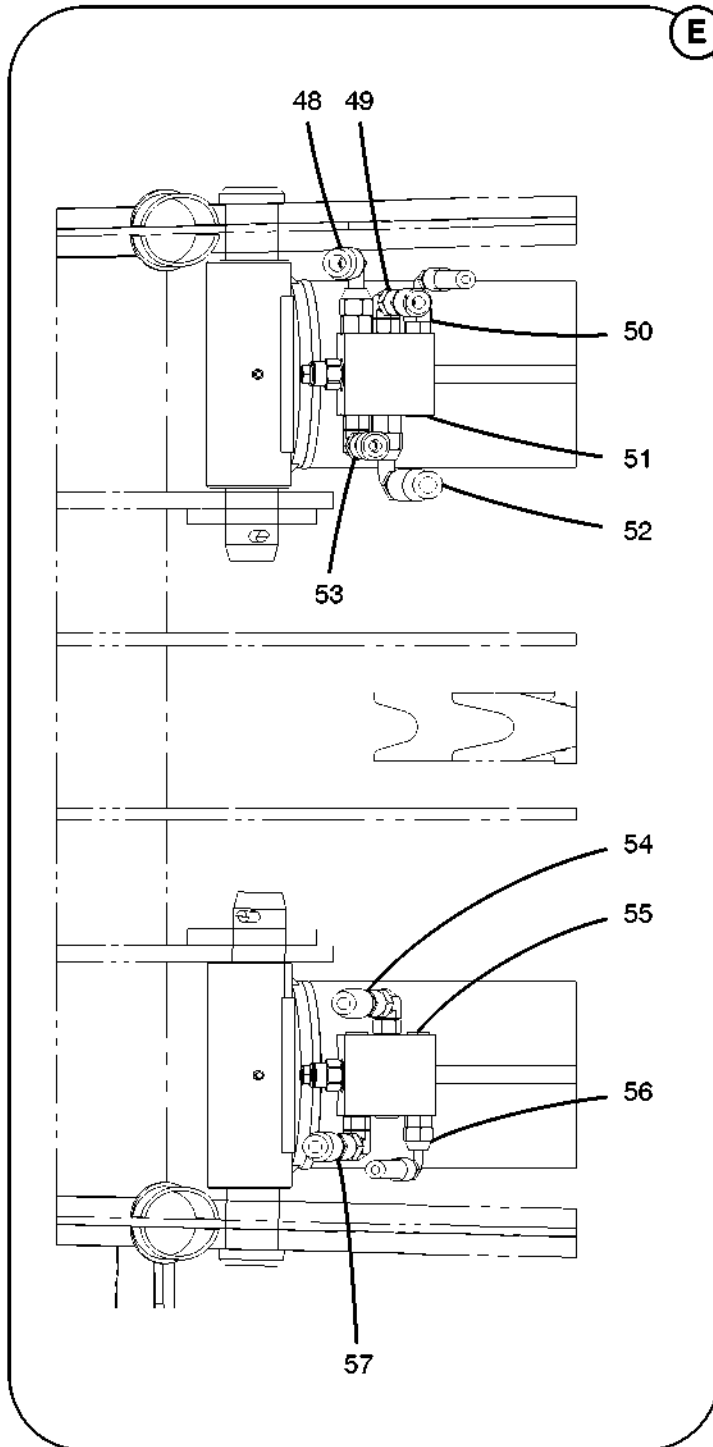


Parts List

0311

| Hydraulic Offset Fly Plumbing | | | | |
|-------------------------------|-----------|-----|--------------------------------------|---------|
| REF | PART NO. | QTY | DESCRIPTION | REMARKS |
| 33 | REF | 1 | Hose Reel Assy – See Keysheet 17–011 | |
| 34 | 126006019 | 3 | Capscrew | |
| | 128002001 | 3 | Washer | |
| 35 | 1X 7371 | 2 | Connector | |
| 36 | 1X 7395 | 2 | Tee | |
| | F7J0457 | 2 | Valve, Bleeder | |
| | 1X 7362 | 2 | Nut, Tube | |
| 37 | 1X 7421 | 2 | Union | |
| | 1X 7463 | 2 | Connector | |
| | 28J3957 | 2 | Coupling, Bulkhead | |
| | 28J3958 | 2 | Coupling | |
| 38 | J8J0290 | 1 | Plate, Lock | |
| | 126009003 | 1 | Capscrew | |
| | 128003001 | 2 | Washer | |
| | 127004001 | 1 | Locknut | |
| 39 | 76A0833 | 1 | Pin, Snap Lock | |
| 40 | J8J0290 | 1 | Plate, Lock | |
| | 126009003 | 1 | Capscrew | |
| | 128003001 | 2 | Washer | |
| | 127004001 | 1 | Locknut | |
| 41 | 76A0833 | 1 | Pin, Snap Lock | |
| 42 | R3J0240 | 1 | Hose Roller Guide S/A | NSS |
| | J8J0265 | 2 | Roller, Nylon | |
| | 128003006 | 2 | Washer | |
| | 1X 1083 | 2 | Pin, Cotter | |
| | R3J0238 | 1 | Guide, Hose Roller | |
| | 128003004 | 2 | Washer | |
| | 127004003 | 2 | Locknut | |
| 43 | R3J0236 | 1 | Bracket | |
| | 126009012 | 2 | Capscrew | |
| | 128003004 | 2 | Washer | |
| 44 | J8J0270 | 1 | Hose Roller Guide S/A | NSS |
| | J8J0265 | 1 | Roller, Nylon | |
| | J8J0266 | 2 | End, Roller | |
| | J8J0267 | 1 | Spring | |
| | 128003006 | 2 | Washer | |
| | 1X 1083 | 2 | Pin, Cotter | |
| | J8J0319 | 1 | Guide, Hose Roller | |
| | 1X 8365 | 2 | Capscrew | |
| 45 | J8J0272 | 1 | Hose Roller Guide S/A | NSS |
| | J8J0265 | 1 | Roller, Nylon | |
| | J8J0266 | 2 | End, Roller | |
| | J8J0267 | 1 | Spring | |
| | 128003006 | 2 | Washer | |
| | 1X 1083 | 2 | Pin, Cotter | |
| | J8J0320 | 1 | Guide, Hose Roller | |
| | 1X 8365 | 2 | Capscrew | |

Hydraulic Offset Fly Plumbing



Parts List

0311

| Hydraulic Offset Fly Plumbing | | | | |
|-------------------------------|-----------|-----|------------------------------|---------|
| REF | PART NO. | QTY | DESCRIPTION | REMARKS |
| 46 | J8J0274 | 1 | Hose Roller Guide S/A | NSS |
| | J8J0265 | 1 | Roller, Nylon | |
| | J8J0266 | 2 | End, Roller | |
| | J8J0267 | 1 | Spring | |
| | 128003006 | 2 | Washer | |
| | 1X 1083 | 2 | Pin, Cotter | |
| | J8J0321 | 1 | Guide, Hose Roller | |
| | 1X 8365 | 2 | Capscrew | |
| 47 | J8J0281 | 1 | Guide, Roller | |
| | 126009012 | 4 | Capscrew | |
| | 128003004 | 4 | Washer | |
| 48 | J6J0160 | 1 | Hose Assy | |
| | 1X 7370 | 1 | Connector | |
| 49 | 1X 7385 | 1 | Elbow | |
| 50 | E8J0194 | 1 | Fuse, Velocity | |
| 51 | 1X 4526 | 1 | Plug | |
| 52 | J6J0160 | 1 | Hose Assy | |
| | 1X 7370 | 1 | Connector | |
| 53 | 1X 7385 | 1 | Elbow | |
| 54 | 70J0104 | 1 | Hose Assy | |
| | 1X 7385 | 1 | Elbow | |
| 55 | 1X 4526 | 3 | Plug | |
| 56 | J8J0316 | 1 | Hose Assy | |
| | E8J0194 | 1 | Fuse, Velocity | |
| 57 | 70J0104 | 1 | Hose Assy | |
| | 1X 7385 | 1 | Elbow | |
| 58 | L8R0061 | 1 | Switch | |
| | J8R0141 | 1 | Lens, Hydraulic Fly Controls | |

12 Ton Swivel Hookball

No Illustration Required

Parts List

0202

| 12 Ton Swivel Hookball | | | | |
|------------------------|----------|-----|-------------------------|---------|
| REF | PART NO. | QTY | DESCRIPTION | REMARKS |
| | J7M0591 | 1 | Hookball, 12 Ton Swivel | |

80 Ton 5 Sheave Hook Block

No Illustration Required

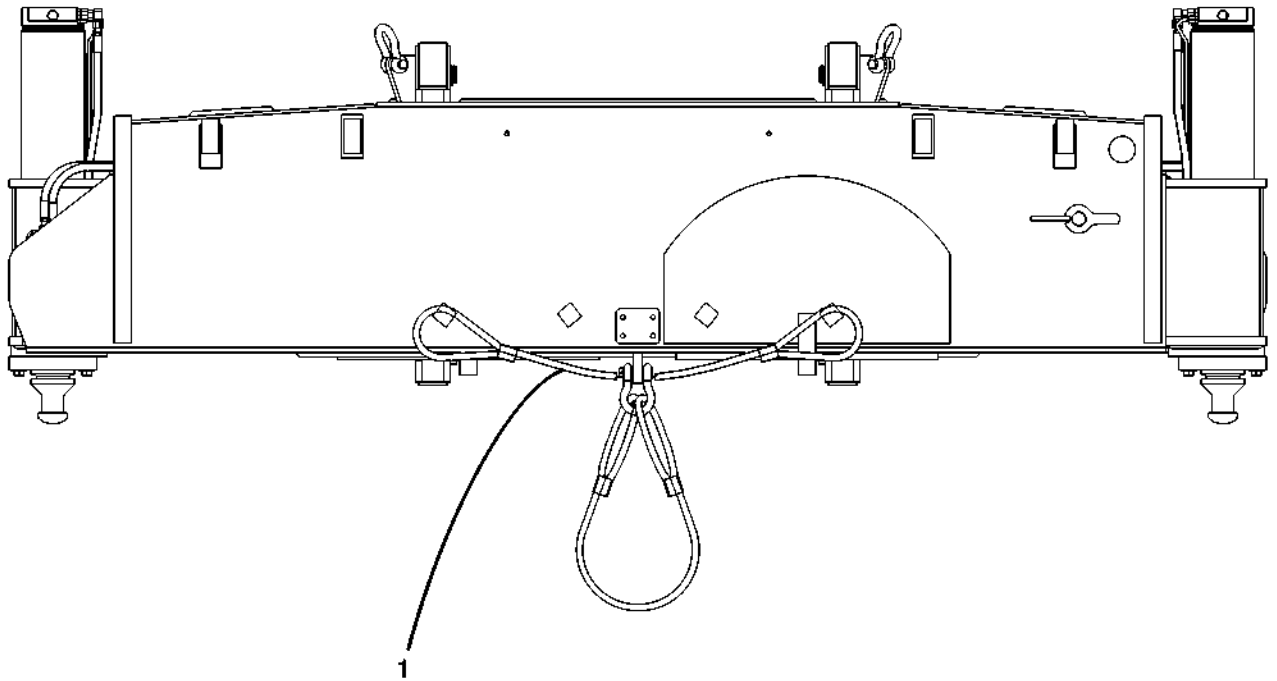
Parts List

0202

80 Ton 5 Sheave Hook Block

| REF | PART NO. | QTY | DESCRIPTION | REMARKS |
|-----|----------|-----|-----------------------------|---------|
| | J7M0609 | 1 | Hook Block, 80 Ton 5 Sheave | |

Hook Block Tie Down Cable Installation

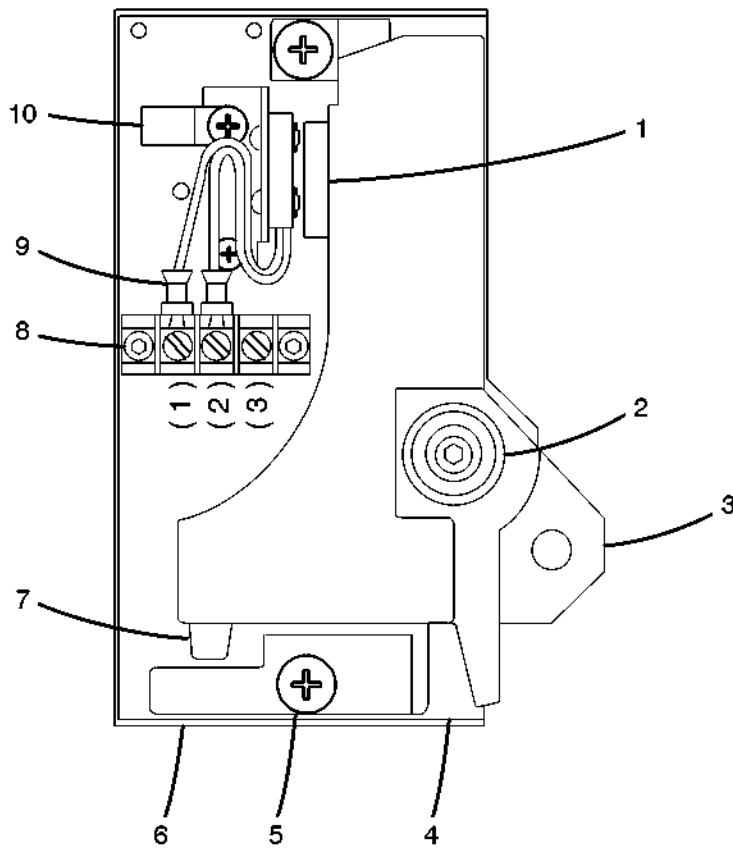


Parts List

0302

| Hook Block Tie Down Cable Installation | | | | |
|--|----------|-----|----------------------------|---------|
| REF | PART NO. | QTY | DESCRIPTION | REMARKS |
| 1 | J6A0198 | 1 | Cable, Hook Block Tie Down | |

Attachment ATB Switch Assy

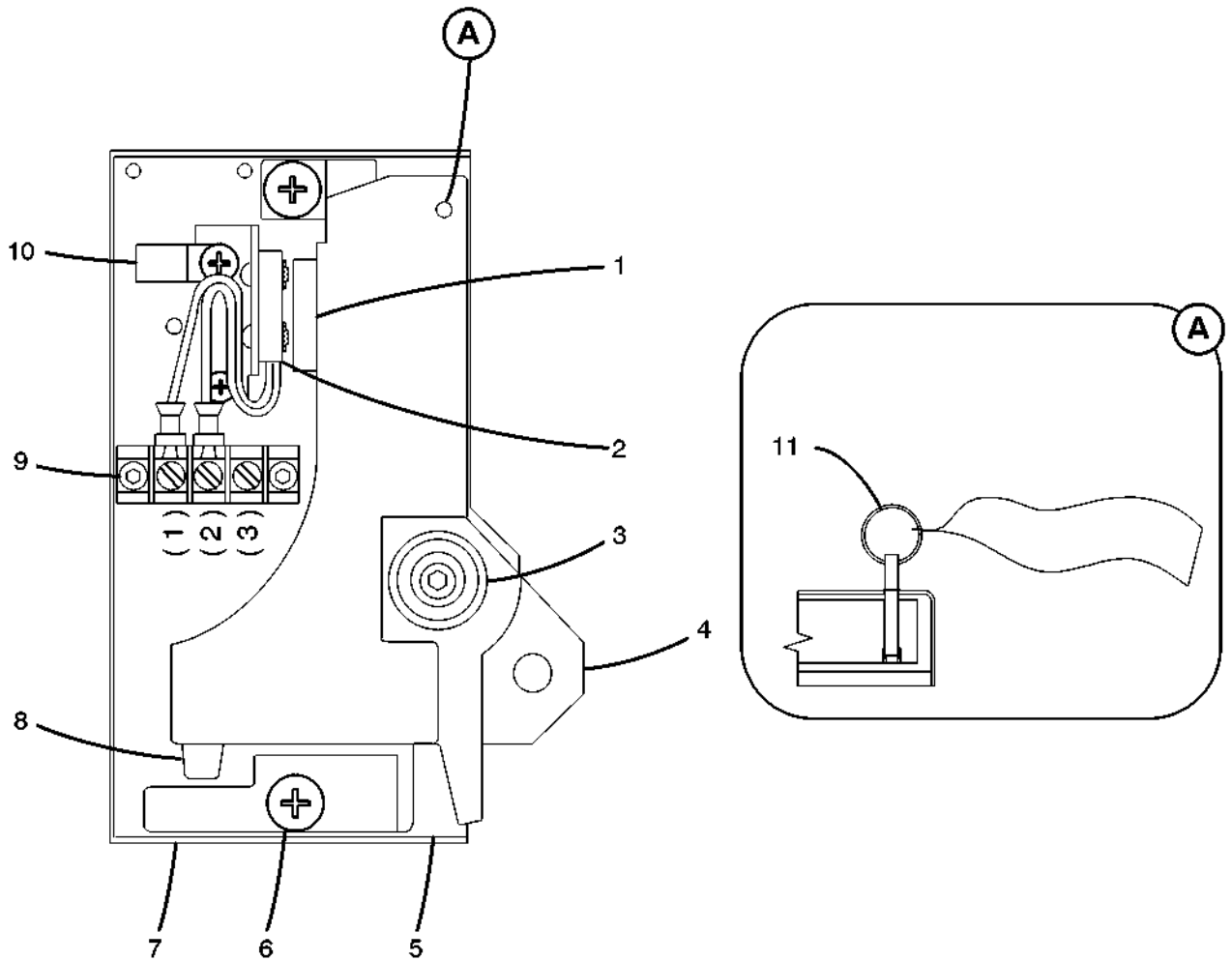


Parts List

0606

| Attachment ATB Switch Assy | | | | |
|----------------------------|----------|-----|----------------------------|---------|
| REF | PART NO. | QTY | DESCRIPTION | REMARKS |
| 1 | E8L0014 | 1 | Attachment ATB Switch Assy | |
| | 3L 0506 | 1 | Magnet | |
| | 3L 0507 | 2 | Screw | |
| 2 | 3L 0505 | 2 | Washer | |
| | 3L 0509 | 1 | Pin, Pivot | |
| | 3L 0510 | 2 | Bearing | |
| 3 | 3L 0511 | 1 | Washer | |
| | 3L 0521 | 1 | Arm, Swing | |
| 4 | 3L 0512 | 1 | Plate, Base | |
| 5 | 3L 0515 | 2 | Spacer | |
| | 3L 0516 | 2 | Nut | |
| 6 | 3L 0522 | 1 | Cover | |
| | 3L 0514 | 2 | Screw | |
| 7 | 3L 0517 | 1 | Bumper | |
| | 3L 0518 | 1 | Screw | |
| 8 | 3L 0499 | 1 | Terminal | |
| | 3L 0500 | 2 | Screw | |
| | 3L 0501 | 2 | Spacer | |
| 9 | 3L 0502 | 1 | Bracket Assy | |
| | 3L 0503 | 2 | Screw | |
| 10 | 3L 0504 | 1 | P-Clip | |
| | 3L 0417 | 1 | Washer | |

ATB Switch Assy

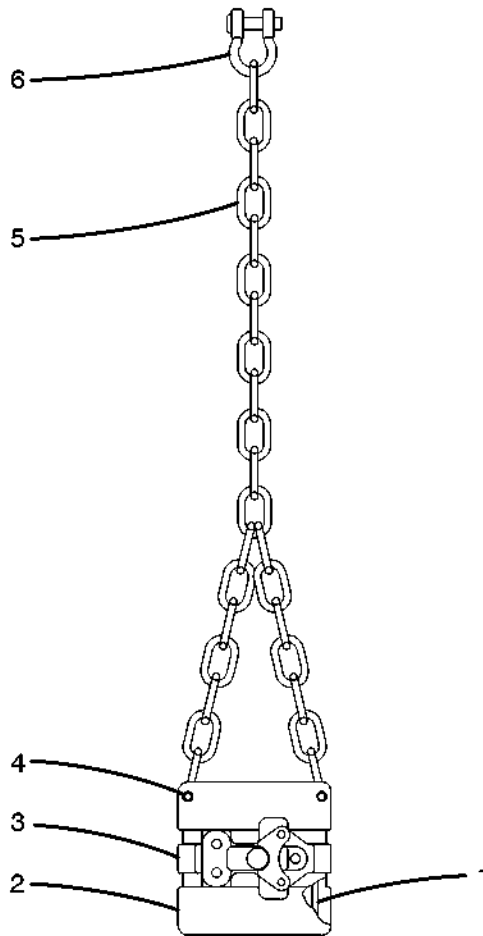


Parts List

1209

| ATB Switch Assy | | | | |
|-----------------|----------|-----|----------------------|---------|
| REF | PART NO. | QTY | DESCRIPTION | REMARKS |
| 1 | E8L0043 | 1 | ATB Switch Assy | |
| | 3L 0506 | 1 | Magnet | |
| | 3L 0507 | 2 | Screw | |
| 2 | 3L 0505 | 2 | Washer | |
| | 3L 0502 | 1 | Magnetic Sensor Assy | |
| 3 | 3L 0503 | 2 | Screw | |
| | 3L 0509 | 1 | Pin, Pivot | |
| 4 | 3L 0510 | 2 | Bearing | |
| | 3L 0511 | 1 | Washer | |
| 5 | 3L 0508 | 1 | Arm, Swing | |
| 6 | 3L 0512 | 1 | Plate, Base | |
| 7 | 3L 0515 | 2 | Spacer | |
| | 3L 0516 | 2 | Nut | |
| 8 | 3L 0513 | 1 | Cover | |
| | 3L 0514 | 2 | Screw | |
| 9 | 3L 0517 | 1 | Bumper | |
| | 3L 0518 | 1 | Screw | |
| 10 | 3L 0499 | 1 | Terminal | |
| | 3L 0500 | 2 | Screw | |
| 11 | 3L 0501 | 2 | Spacer | |
| | 3L 0504 | 1 | P-Clip | |
| | 3L 0417 | 1 | Washer | |
| | 3L 0519 | 1 | Flag | |
| | 3L 0520 | 1 | Pin, Detent | |

ATB Weight Assy

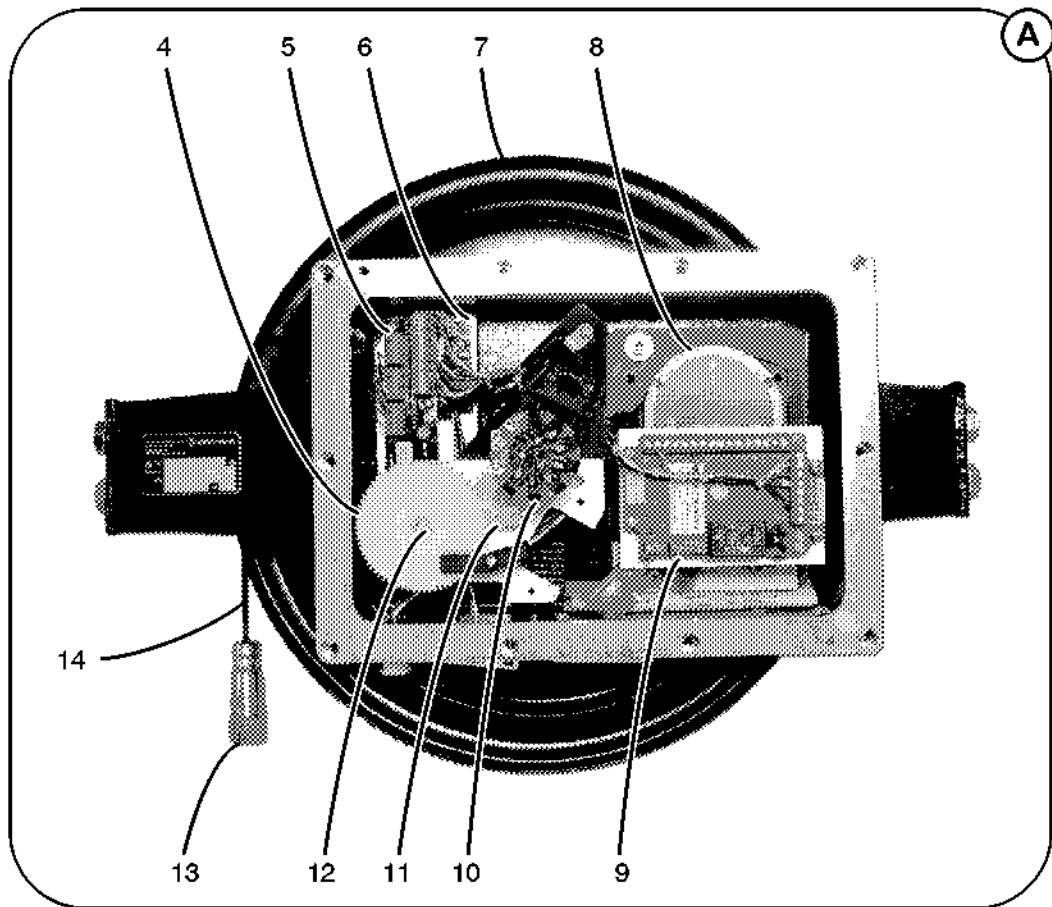
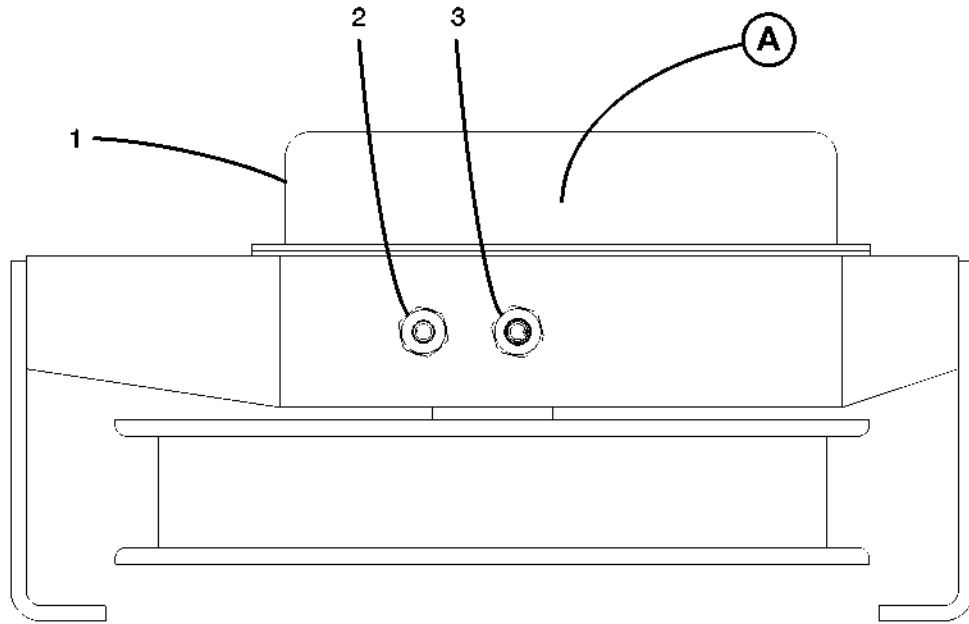


Parts List

0606

| ATB Weight Assy | | | | |
|-----------------|----------|-----|--------------------------|---------|
| REF | PART NO. | QTY | DESCRIPTION | REMARKS |
| | F8L0005 | 1 | ATB Weight Assy | |
| 1 | 3L 0543 | 1 | Pin, Hinge | |
| 2 | REF | 2 | Weight | NSS |
| 3 | 3L 0545 | 1 | Latch Assy | |
| 4 | 3L 0544 | 2 | Pin, Spring | |
| 5 | 3L 0542 | 1 | Chain | |
| 6 | 3L 0540 | 1 | Shackle, Anchor | |
| | 3L 0541 | 1 | Link, Repair – Not Shown | |

Boom Length & ATB Reel Assy



Parts List

0810

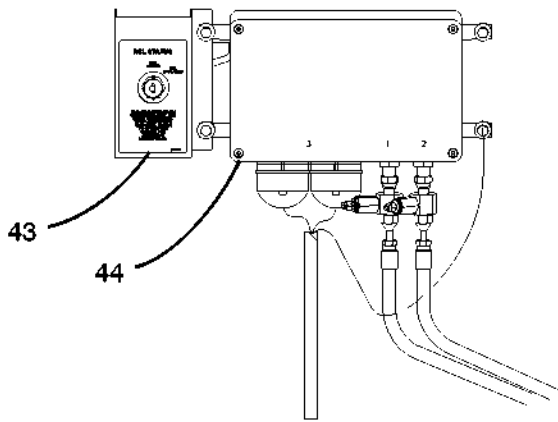
| Boom Length & ATB Reel Assy | | | | |
|-----------------------------|----------|-----|---------------------------------|---------|
| REF | PART NO. | QTY | DESCRIPTION | REMARKS |
| | J8L0020 | 1 | Boom Length & ATB Reel Assy | |
| 1 | 3L 0736 | 1 | Cover, Cable Reel – W/Seal | |
| 2 | 3L 0729 | 1 | Connector, M12 Male – W/Cable | |
| 3 | 3L 0728 | 1 | Connector, M12 Female – W/Cable | |
| 4 | 3L 0733 | 1 | Wheel, Gear – W/Friction Clutch | |
| 5 | 3L 0734 | 1 | Board, Length/Angle Connection | |
| 6 | 3L 0735 | 1 | Board, Length Sensing | |
| 7 | 3L 0725 | 1 | Housing, Cable Reel – W/Spring | |
| 8 | 3L 0726 | 1 | Sensor, Angle | |
| 9 | 3L 0727 | 1 | Board, Analog Converter | |
| 10 | 3L 0695 | 1 | Slip Ring Assy | |
| 11 | 3L 0731 | 1 | Length Sensor Assy | |
| 12 | 3L 0732 | 1 | Potentiometer | |
| 13 | 3L 0730 | 1 | Connector, M23/12 | |
| 14 | 3L 0694 | 1 | Cable, Length Sensor – 213' | |

Parts List

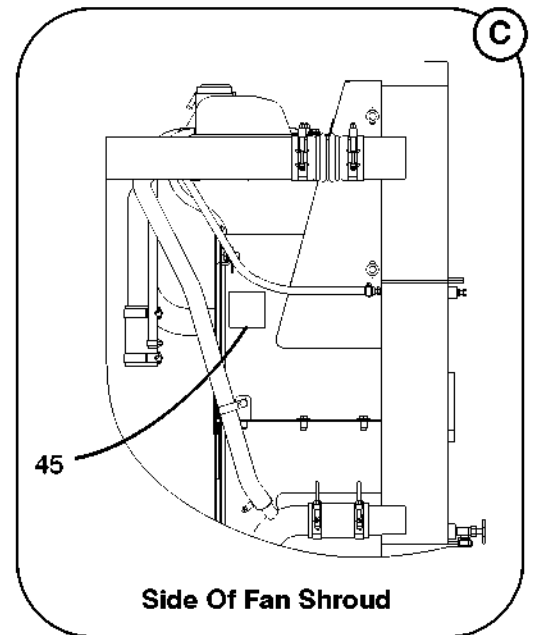
0111

| Labels | | | | |
|--------|-----------|-----|---|---------|
| REF | PART NO. | QTY | DESCRIPTION | REMARKS |
| 1 | D6P0041 | 1 | Label, No Walk Surface | |
| 2 | D6P0041 | 1 | Label, No Walk Surface | |
| 3 | D6P0049 | 1 | Label, Fly Tip Stored | |
| 4 | 804020002 | 2 | Tape, Reflective – 2.5' | |
| 5 | 28A3853 | 2 | Label, Swinging Upper | |
| 6 | 43P0056 | 1 | Label, Moving Parts | |
| 7 | 28A3853 | 2 | Label, Swinging Upper | |
| 8 | 12A3476 | 6 | Label, Tire Inflation | |
| 9 | 28A3853 | 1 | Label, Swinging Upper | |
| 10 | J7P0131 | 1 | Label, Outrigger Connections | |
| 11 | J7P0059 | 2 | Label, No Boom On Counterweight Bracket | |
| 12 | 804020002 | 2 | Tape, Reflective – 1.25' | |
| 13 | D6P0045 | 1 | Label, Left Fly Base Connecting Pin | |
| | D6P0046 | 1 | Label, Right Fly Base Connecting Pin | |
| 14 | 47P0144 | 2 | Label, No Walk Safety | |
| 15 | 43P0056 | 6 | Label, Moving Parts | |
| 16 | 8A 5629 | 4 | Label, Lifting Information | |
| 17 | J7P0131 | 1 | Label, Outrigger Connections | |
| 18 | J7P0014 | 2 | Label, Outrigger Pin | |
| 19 | 43P0056 | 1 | Label, Moving Parts | |
| 20 | 31H0290 | 1 | Label, Diesel Fuel Only | |
| 21 | 47P0144 | 2 | Label, No Walk Safety | |
| 22 | 28A3853 | 4 | Label, Swinging Upper | |
| 23 | 804020003 | 8 | Tape, Reflective – 0.83' | |
| 24 | J8P0008 | 1 | Label, 2,000 Lb Counterweight | |
| 25 | J7P0006 | 1 | Label, Tire Inflation | |
| 26 | J7P0016 | 6 | Label, Chain Location | |

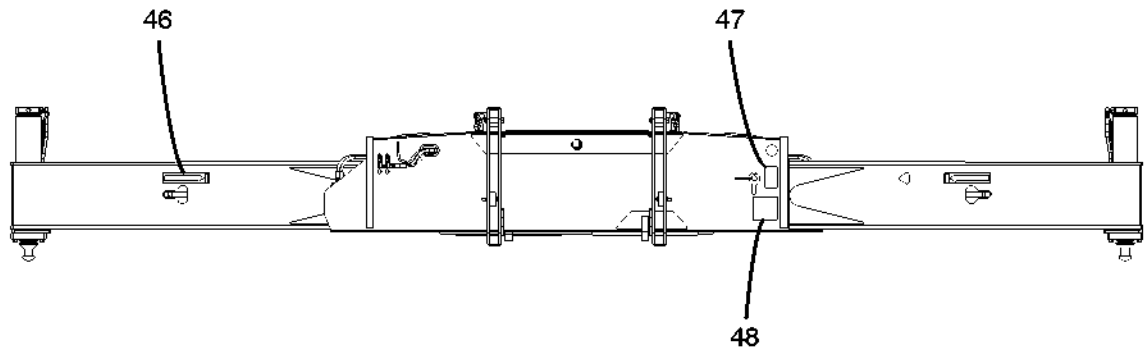
Labels



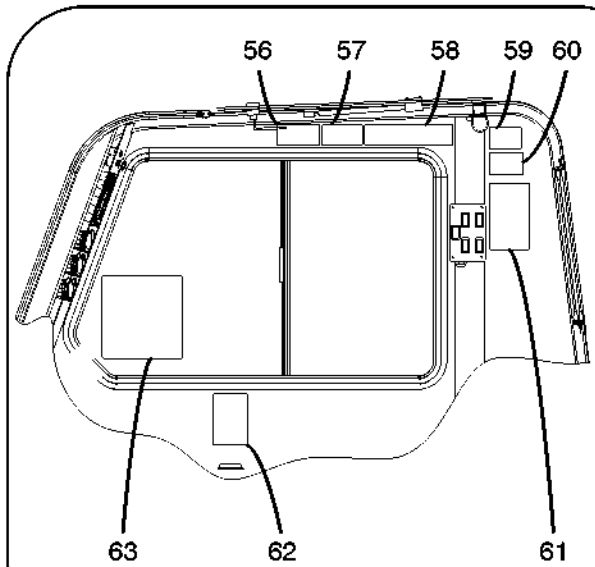
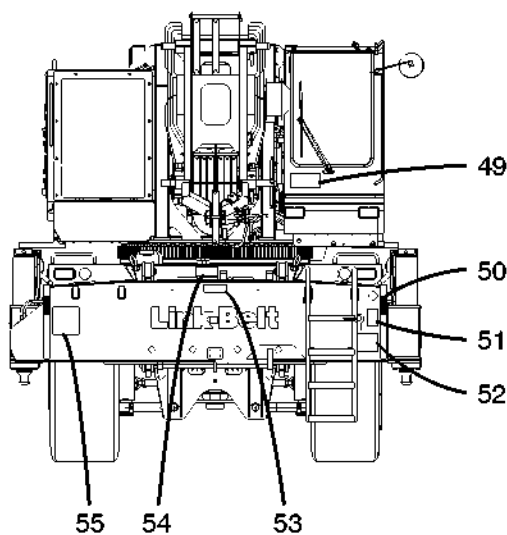
Behind Cab



Side Of Fan Shroud



Inside Front & Rear Outrigger



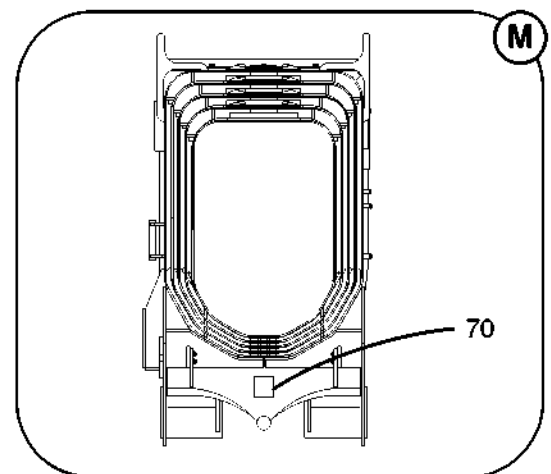
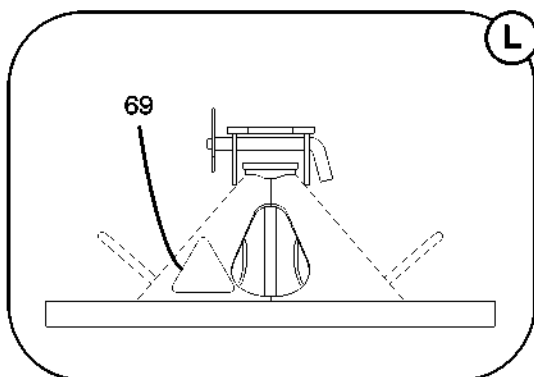
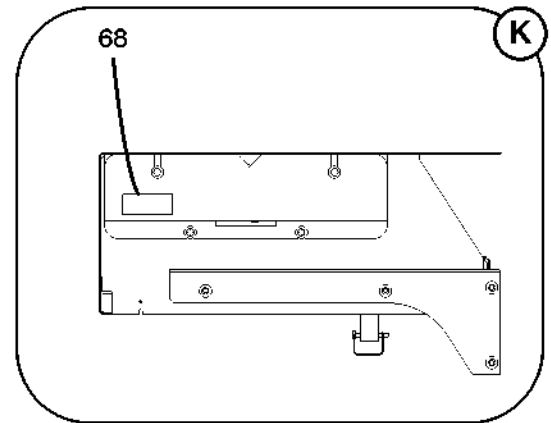
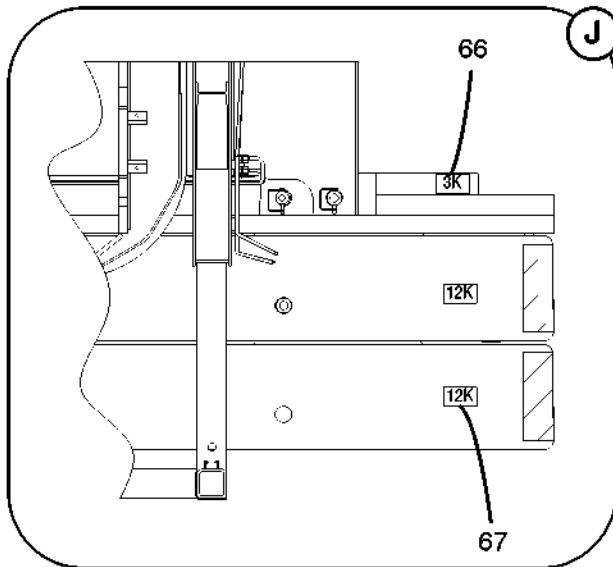
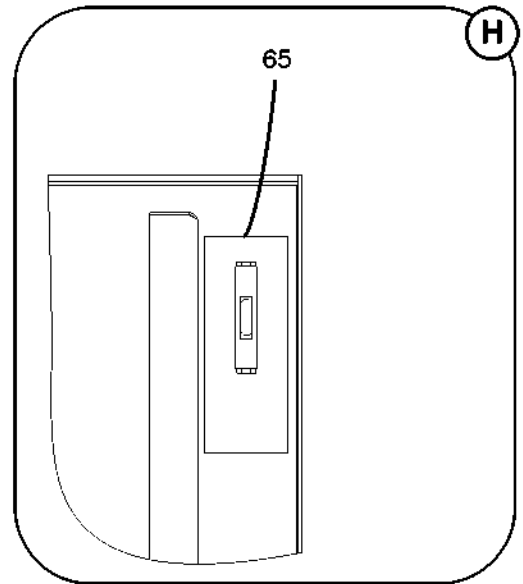
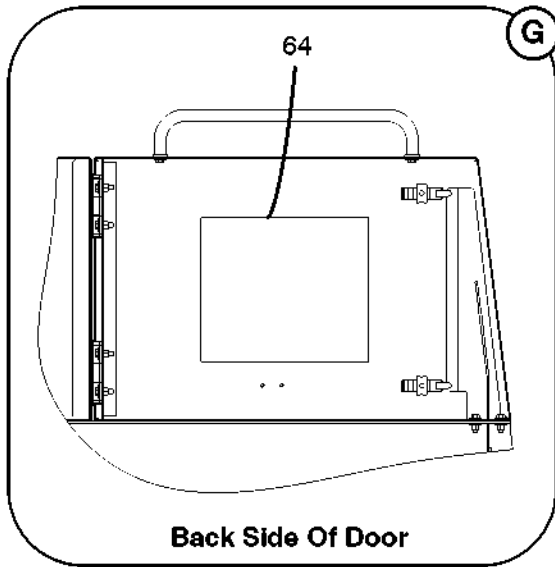
Inside Cab

Parts List

0111

| Labels | | | | |
|--------|----------|-----|-------------------------------|---------|
| REF | PART NO. | QTY | DESCRIPTION | REMARKS |
| 27 | 28A3853 | 1 | Label, Swinging Upper | |
| 28 | D6P0041 | 1 | Label, No Walk Surface | |
| 29 | J7P0017 | 1 | Label, Counterweight Removal | |
| 30 | J7P0028 | 1 | Label, Engine Heater | |
| 31 | 43P0439 | 1 | Label, PCSA Insignia | |
| 32 | D3P0054 | 1 | Label, CALC | |
| 33 | F1P0004 | 1 | Label, ASME | |
| 34 | E8P0047 | 1 | Label, Series II | |
| 35 | E8L0046 | 1 | Label, ATB Lockout Pin | |
| 36 | 43P0056 | 2 | Label, Moving Parts | |
| 37 | J7P0016 | 2 | Label, Chain Location | |
| 38 | C5A0534 | 1 | Label, Outrigger Beam Warning | |
| 39 | J7P0012 | 1 | Label, Outrigger Position | |
| 40 | J7P0010 | 1 | Label, Load Radius | |
| 41 | J7P0011 | 1 | Label, Load Radius | |
| 42 | R3P0035 | 1 | Label, Lube Chart | |
| 43 | N3P0006 | 1 | Label, RCL Bypass | |
| 44 | REF | | Computer | |
| 45 | J9P0040 | 1 | Label, Fan Caution | |
| 46 | D3P0064 | 4 | Label, Arrow | |
| 47 | C5A0534 | 2 | Label, Outrigger Beam Warning | |
| 48 | J7P0012 | 2 | Label, Outrigger Position | |
| 49 | 1P 2722 | 1 | Label, Power Line Danger | |
| 50 | J7P0016 | 2 | Label, Chain Location | |
| 51 | C5A0534 | 1 | Label, Outrigger Beam Warning | |
| 52 | J7P0012 | 1 | Label, Outrigger Position | |

Labels

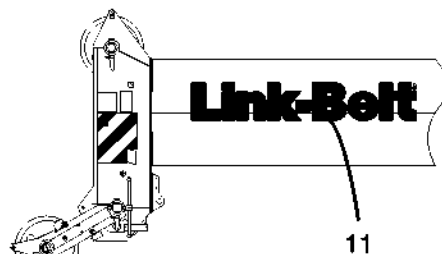
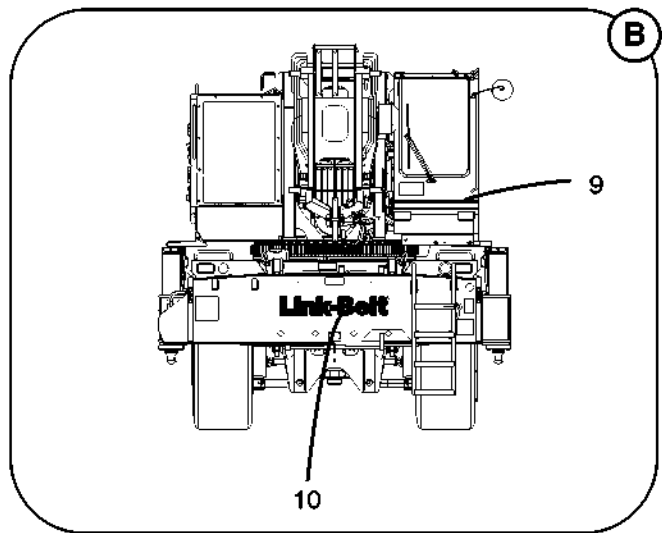
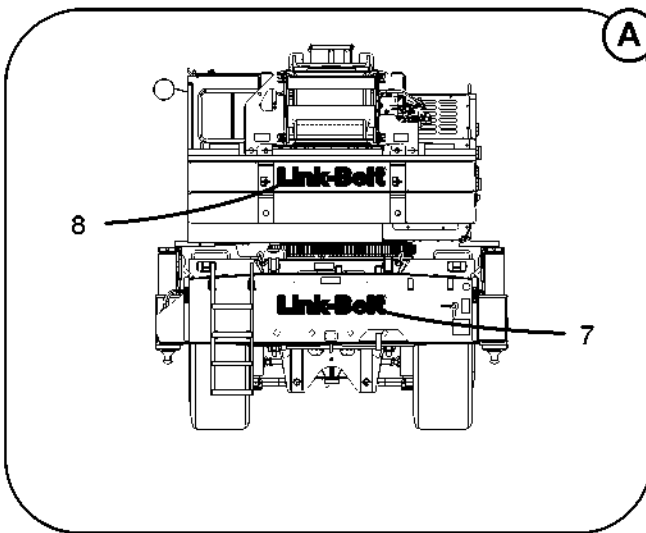
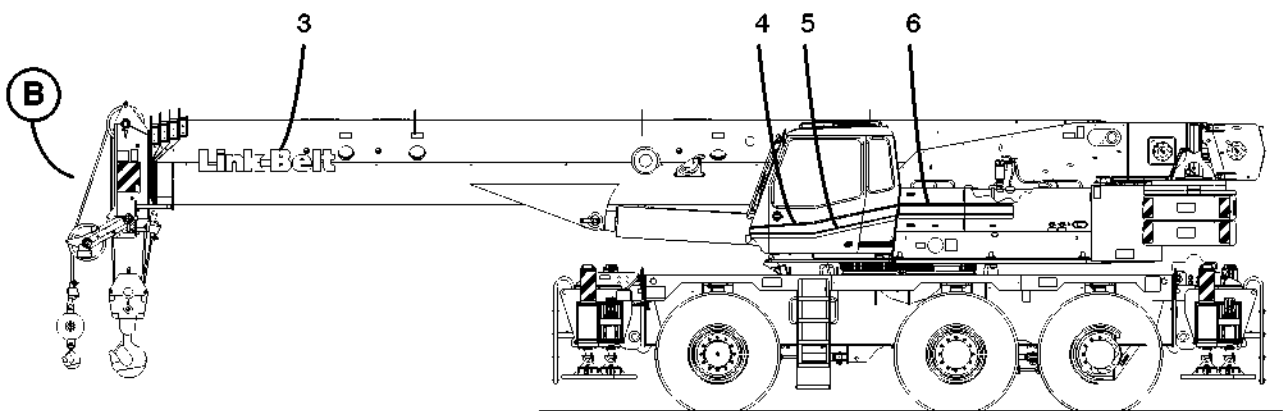
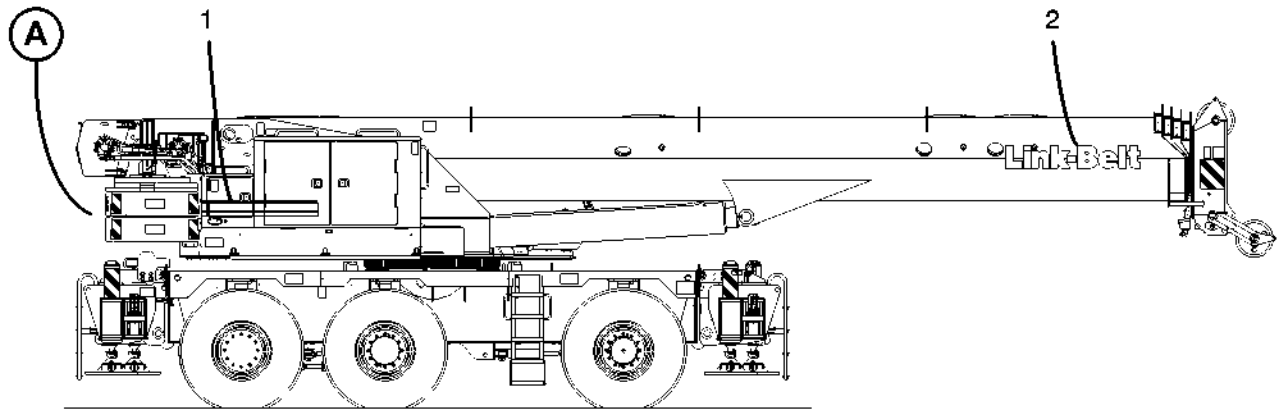


Parts List

0111

| Labels | | | | |
|--------|----------|-----|--------------------------------------|---------|
| REF | PART NO. | QTY | DESCRIPTION | REMARKS |
| 53 | J7P0010 | 1 | Label, Load Radius | |
| 54 | J7P0011 | 1 | Label, Load Radius | |
| 55 | 12P0095 | 1 | Label, Hand Signals | |
| 56 | 1P 2721 | 1 | Label, Power Line Danger | |
| 57 | J7P0135 | 1 | Label, Engine Overspeed | |
| 58 | R3P0049 | 1 | Label, Backstability | |
| 59 | F8P0124 | 1 | Label, Swing Brake | |
| 60 | 1P 2256 | 1 | Label, Operating Safety | |
| 61 | D3P0004 | 1 | Label, Warning & Safety Instructions | |
| 62 | R3P0091 | 1 | Label, Speed Caution | |
| 63 | J6P0003 | 1 | Label, Hand Signals | |
| 64 | R3P0082 | 1 | Label, Lift & Tow | |
| 65 | J7P0027 | 1 | Label, Oil Level | |
| 66 | R3P0032 | 1 | Label, 3,000 lb Counterweight | |
| 67 | R3P0033 | 2 | Label, 12,000 lb Counterweight | |
| 68 | N4P0086 | 3 | Label, Weight Adjust | |
| 69 | J8P0025 | 4 | Label, Two Man Lift 97 Lbs | |
| 70 | R3P0053 | 1 | Label, Wire Rope Tie-back | |

Link-Belt Labels & Stripe



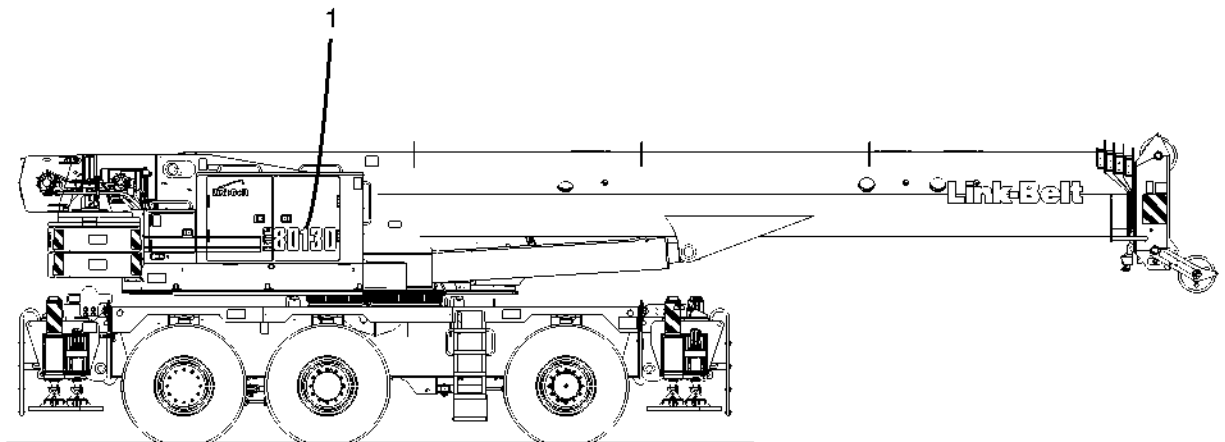
Tip Section

Parts List

0809

| Link-Belt Labels & Stripe | | | | |
|---------------------------|-----------|-----|------------------------|---------|
| REF | PART NO. | QTY | DESCRIPTION | REMARKS |
| 1 | 876009016 | 1 | Stripe – 5' | |
| 2 | R3P0023 | 1 | Label, Red Link-Belt | |
| 3 | R3P0023 | 1 | Label, Red Link-Belt | |
| 4 | N3P0020 | 1 | Stripe, LS Cab | |
| 5 | N3P0024 | 1 | Stripe, Front Cab | |
| 6 | 876009016 | 1 | Stripe – 5' | |
| 7 | R3P0021 | 1 | Label, Grey Link-Belt | |
| 8 | R3P0021 | 1 | Label, Grey Link-Belt | |
| 9 | 876009014 | 1 | Stripe – 3' | |
| 10 | R3P0021 | 1 | Label, Grey Link-Belt | |
| 11 | R3P0026 | 2 | Label, White Link-Belt | |

Crane Rating Manual & ID Label

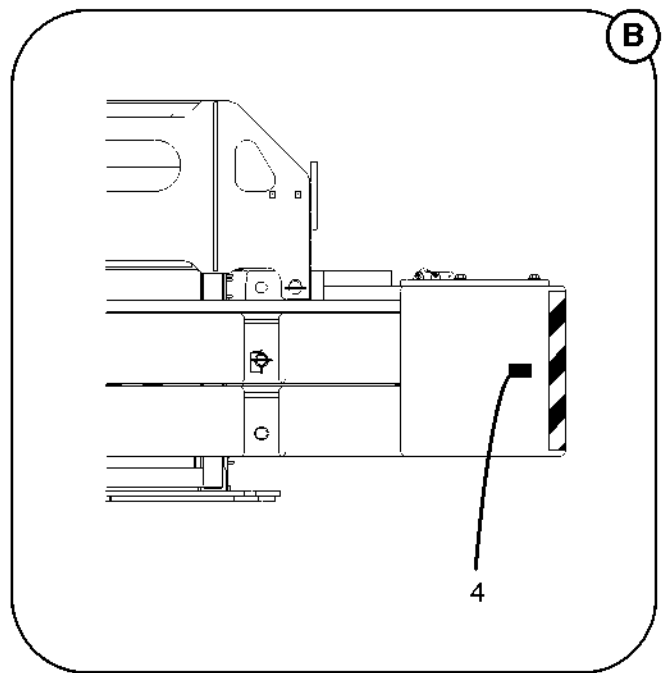
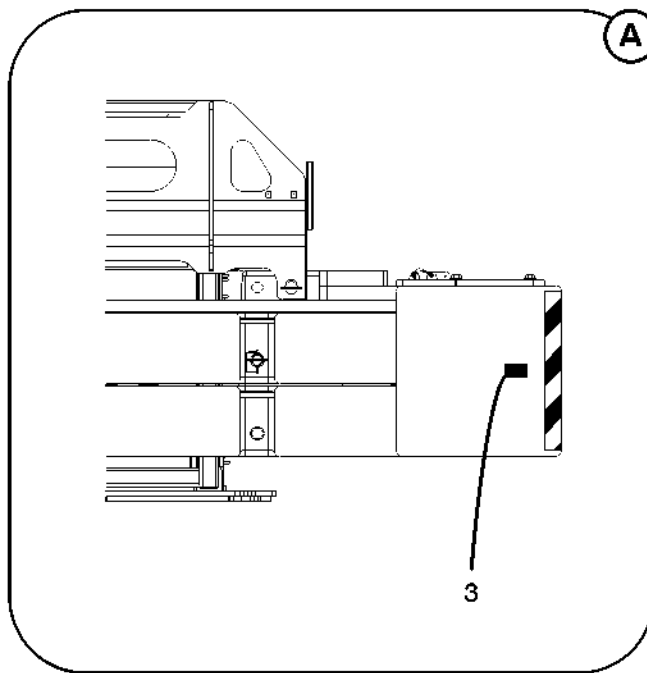
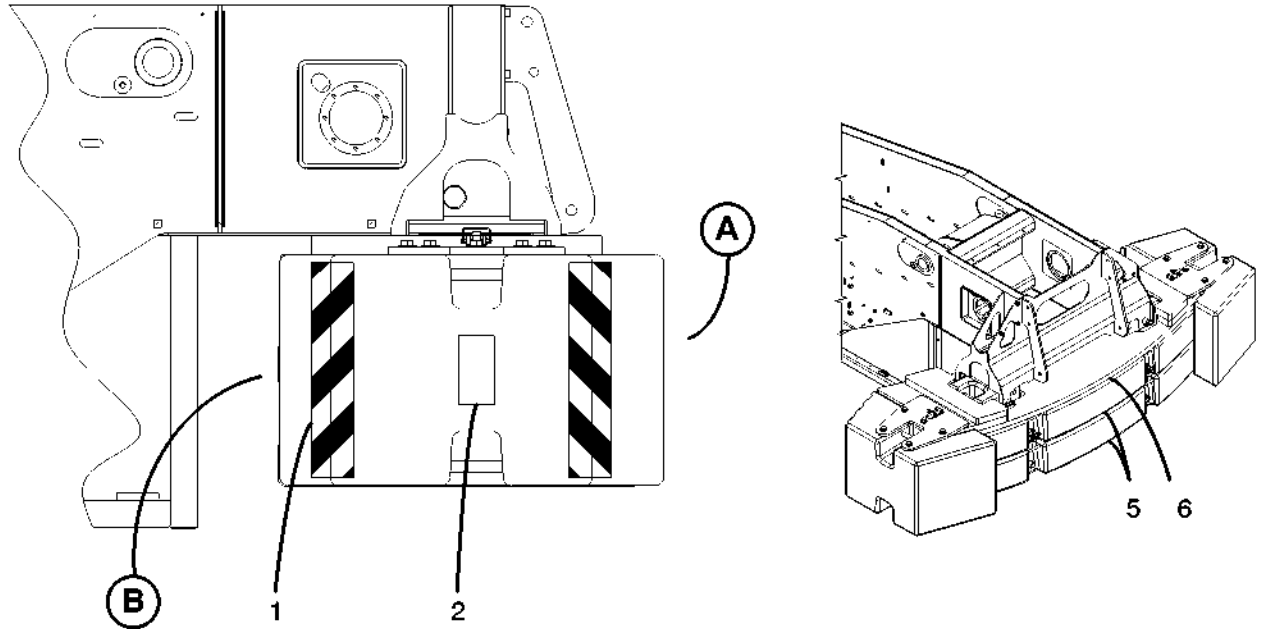


Parts List

0109

| Crane Rating Manual & ID Label | | | | |
|--------------------------------|----------|-----|---|---------|
| REF | PART NO. | QTY | DESCRIPTION | REMARKS |
| 1 | R3P0027 | 2 | Label, RTC-80130 - Black | |
| | R3P0028 | 2 | Label, RTC-80130 - Gray | |
| | REF | 1 | Manual, Crane Rating - Not Shown - Located In Cab | |

43,000 Lb Counterweight Labels



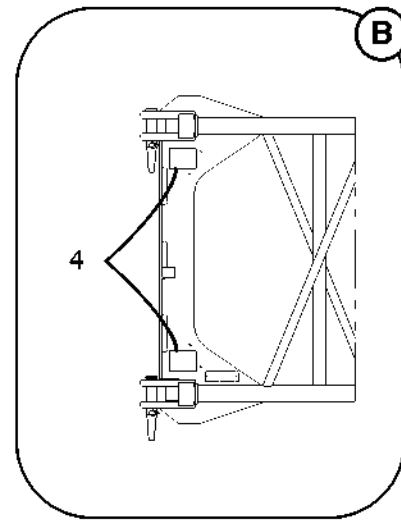
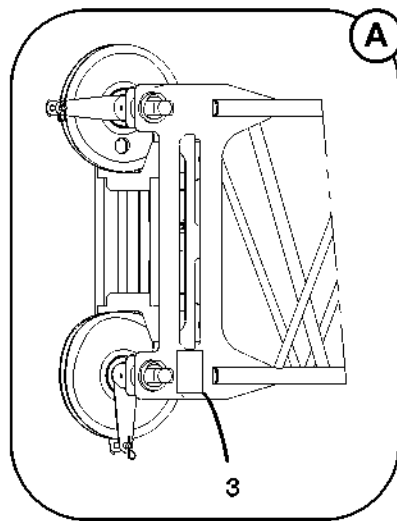
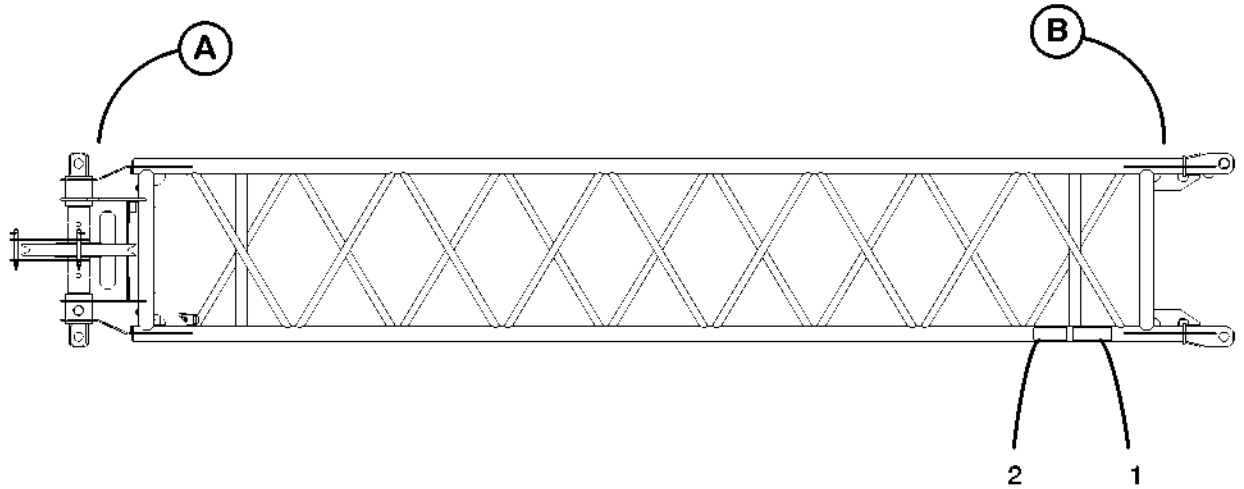
Parts List

1208

43,000 Lb Counterweight Labels

| REF | PART NO. | QTY | DESCRIPTION | REMARKS |
|-----|-----------|-----|--|---------|
| 1 | 804020003 | 1 | Tape – 9.3' | |
| 2 | 38P0108 | 2 | Label, Pinch Point | |
| 3 | R3P0029 | 1 | Label, 7,000 Lb Counterweight | |
| 4 | R3P0029 | 1 | Label, 7,000 Lb Counterweight | |
| 5 | REF | | 12,000 Lb Counterweight | |
| 6 | REF | | 3,000 Lb Counterweight | |
| | REF | | 2,000 Lb Auxiliary Counterweight Or Rear Winch Assy – Not Shown | |

Fly Extension Labels

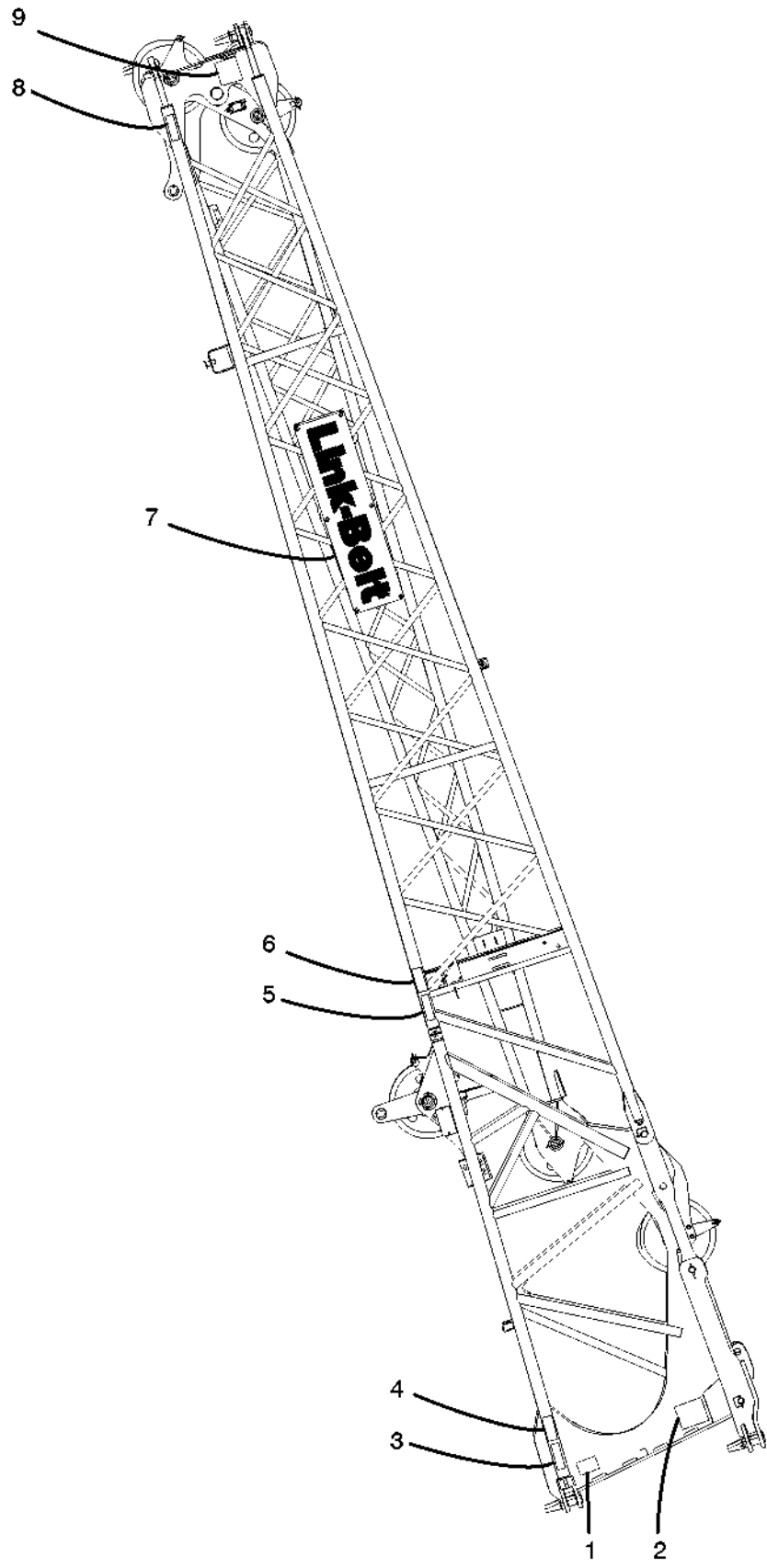


Parts List

0310

| Fly Extension Labels | | | | |
|----------------------|----------|-----|--------------------------------|---------|
| REF | PART NO. | QTY | DESCRIPTION | REMARKS |
| 1 | L8P0007 | 2 | Label, Fly Pin Removal Warning | |
| 2 | 18M0916 | 1 | Label, Boom Material | |
| 3 | R3P0034 | 2 | Label, Fly Extension Warning | |
| 4 | N3P0111 | 2 | Label, Fly Extension Caution | |

Hydraulic Offset Fly Labels

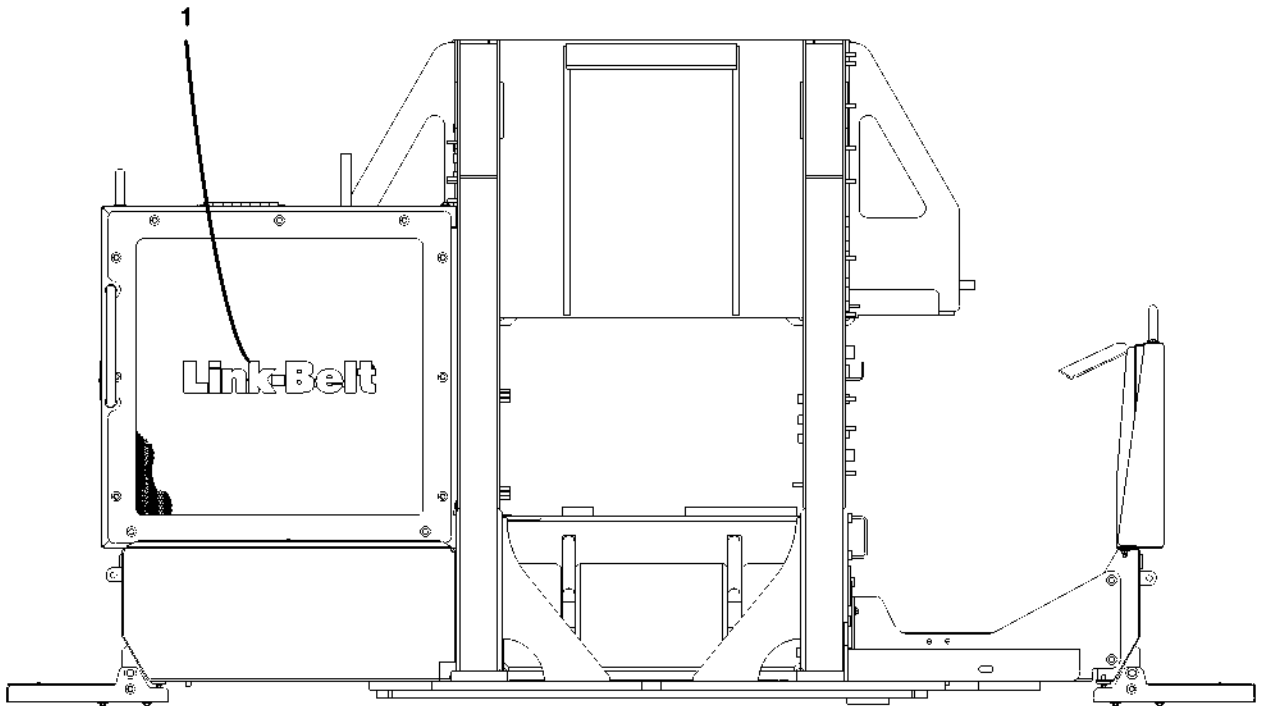


Parts List

0309

| Hydraulic Offset Fly Labels | | | | |
|-----------------------------|-----------|-----|---|---------|
| REF | PART NO. | QTY | DESCRIPTION | REMARKS |
| 1 | R3P0041 | 2 | Label, Fly Storage Caution | |
| 2 | R3P0051 | 1 | Label, Offset Fly Pin Warning – Near Side | |
| | R3P0052 | 1 | Label, Offset Fly Pin Warning – Far Side | |
| 3 | L8P0007 | 2 | Label, Fly Pin Removal | |
| 4 | 18M0916 | 1 | Label, Boom Material | |
| 5 | L8P0007 | 2 | Label, Fly Pin Removal | |
| 6 | 18M0916 | 1 | Label, Boom Material | |
| 7 | J7M1547 | 2 | Nameplate | |
| | R3P0022 | 2 | Label, White Link – Belt | |
| | 126009015 | 12 | Capscrew | |
| | 128003004 | 24 | Washer | |
| | 127004003 | 12 | Locknut | |
| 8 | L8P0007 | 2 | Label, Fly Pin Removal | |
| 9 | D6P0047 | 1 | Label, Fly Tip Connecting – Near Side | |
| | D6P0048 | 1 | Label, Fly Tip Connecting – Far Side | |

Link-Belt Grille Label

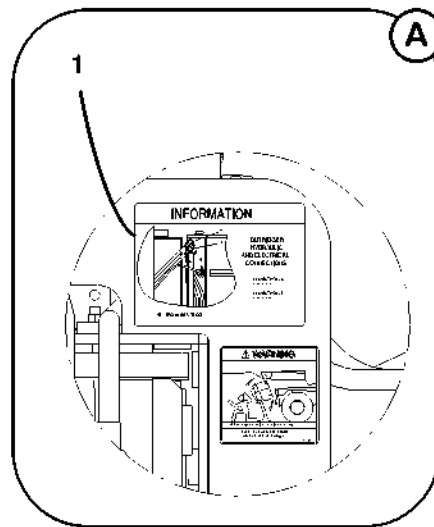
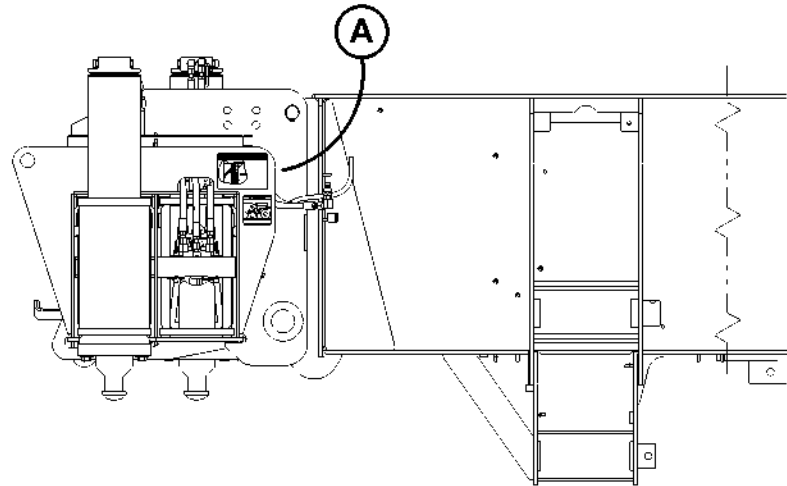


Parts List

0309

| Link – Belt Grille Label | | | | |
|--------------------------|----------|-----|-------------------------|---------|
| REF | PART NO. | QTY | DESCRIPTION | REMARKS |
| 1 | P9P0145 | 1 | Plate, Link – Belt Logo | |

Outrigger Pin Removal Label

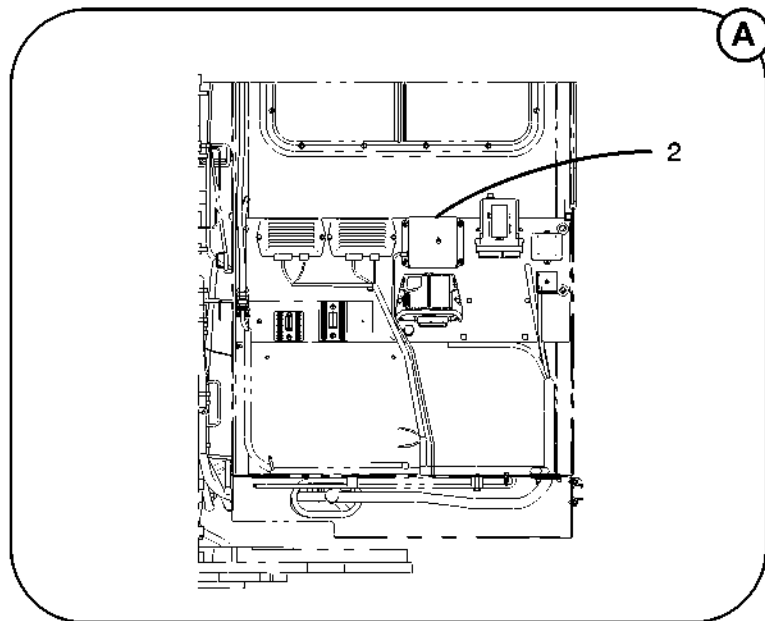
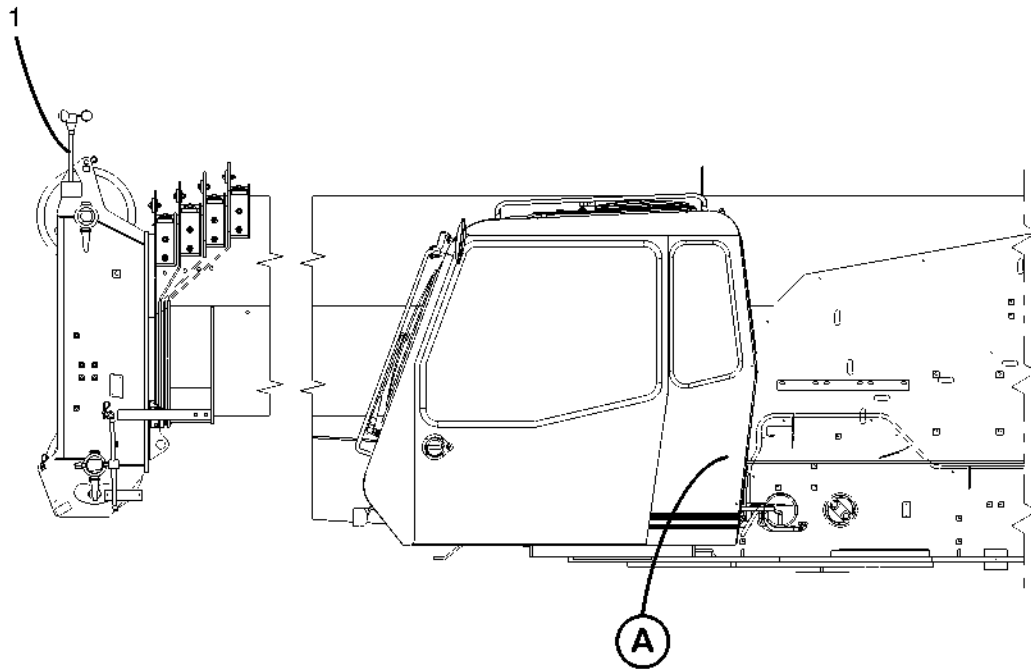


Parts List

0510

| Outrigger Pin Removal Label | | | | |
|-----------------------------|----------|-----|--------------------------|---------|
| REF | PART NO. | QTY | DESCRIPTION | REMARKS |
| 1 | J7P0013 | 2 | Label, Outrigger Warning | |

Wind Speed System Installation

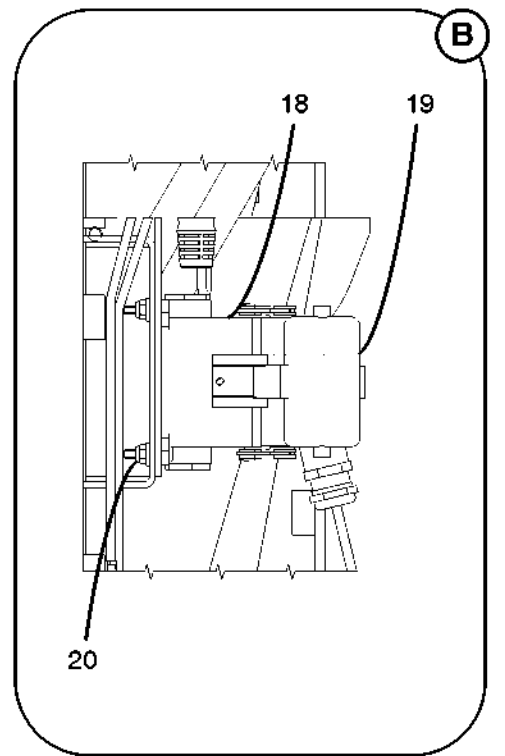
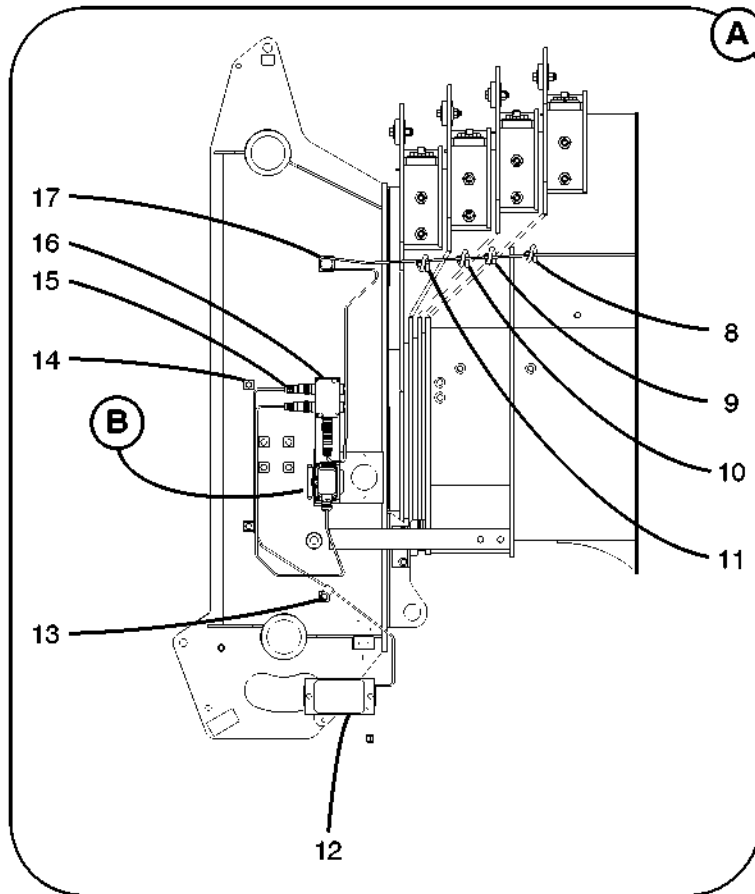
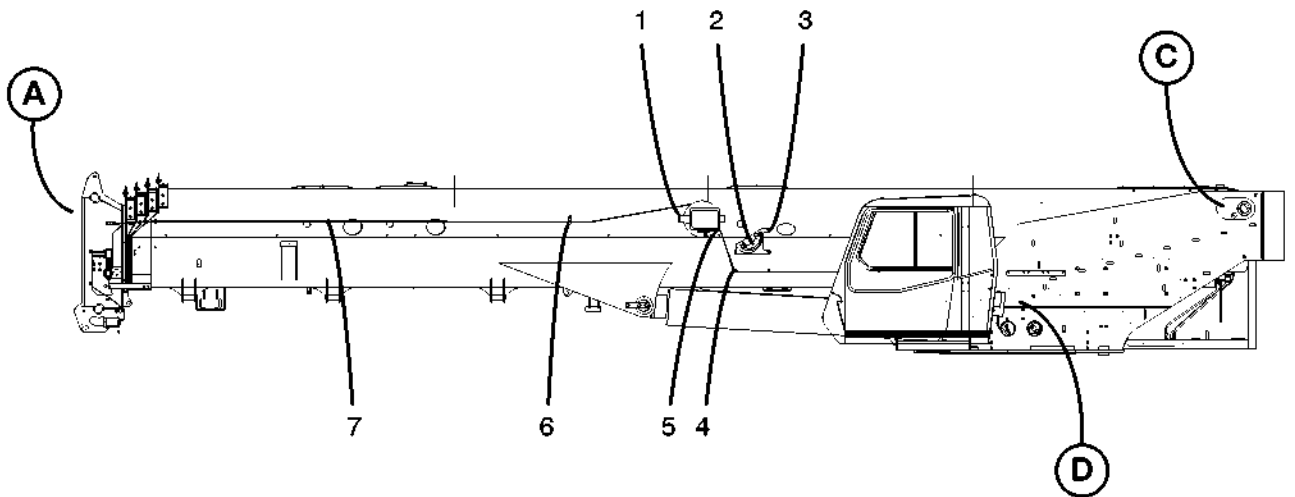


Parts List

0909

| Wind Speed System Installation | | | | |
|--------------------------------|----------|-----|---|---------|
| REF | PART NO. | QTY | DESCRIPTION | REMARKS |
| 1 | R3L0016 | 1 | Kit, Wireless Wind Speed | |
| | 3L 0656 | 1 | Sensor, Wind Speed | |
| 2 | 3L 0689 | 1 | Receiver W/Power Cable W/O Resistor | |
| | 1X 4296 | 4 | Screw, Machine | |
| | | | Note: Wind Speed Kit Can Be Installed As Shown On The Boom Head Machinery Or On The Fly Base, Center Or Tip Sections. | |

RCL System & Boom Angle Indicator Installation

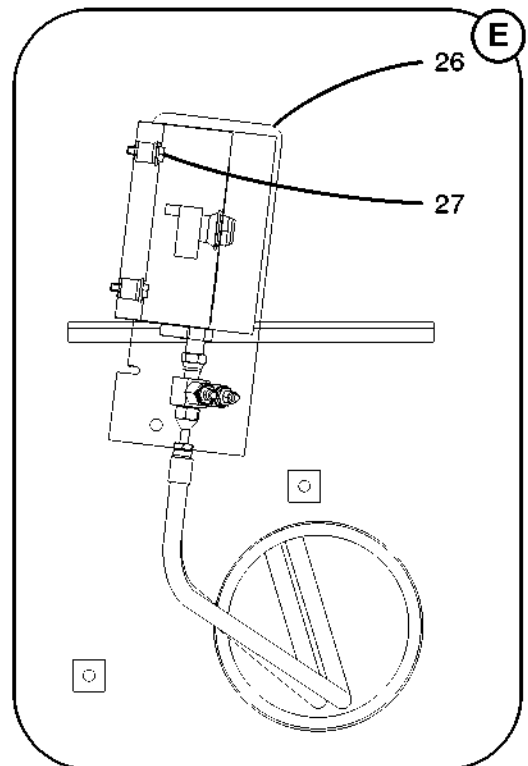
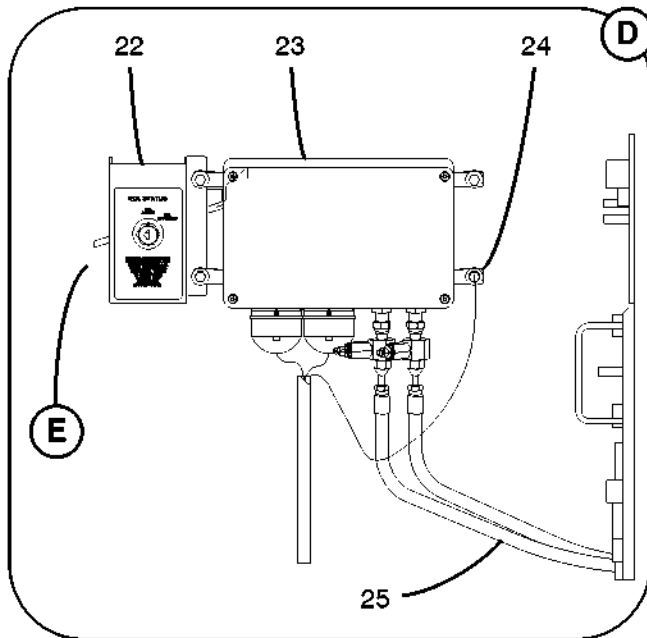
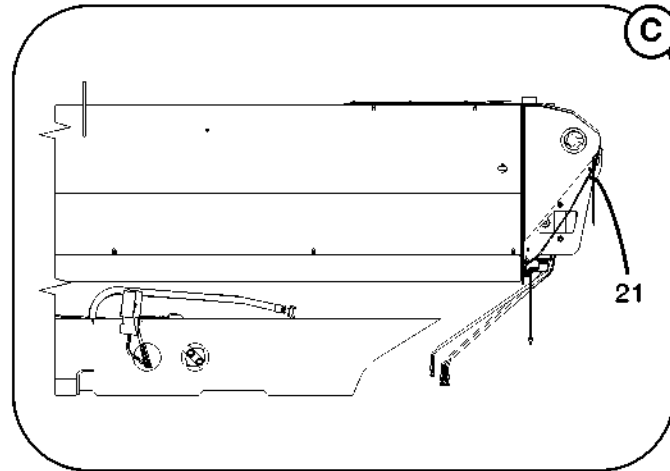


Parts List

0311

| RCL System & Boom Angle Indicator Installation | | | | |
|--|-----------|-----|---|---------|
| REF | PART NO. | QTY | DESCRIPTION | REMARKS |
| 1 | REF | 1 | Boom Length & ATB Reel Assy – See Keysheet 18–007 | |
| | 126009014 | 3 | Capscrew | |
| | 128003004 | 3 | Washer | |
| 2 | F8M0022 | 1 | Indicator, Boom Angle | |
| | 1X 7905 | 2 | Screw, Machine | |
| | 1X 1776 | 2 | Washer | |
| | 1X 4638 | 2 | Locknut | |
| 3 | S2M0875 | 1 | Bracket | |
| | 126009119 | 3 | Capscrew | |
| | 128003004 | 3 | Washer | |
| 4 | 1X 8088 | 8 | Clamp | |
| 5 | 1X 2818 | 1 | Clamp | |
| | 1X 7347 | 1 | Screw, Pan | |
| | 1X 4438 | 1 | Washer | |
| | 1X 5064 | 1 | Locknut | |
| 6 | J8L0033 | 1 | Guide, Cable | |
| 7 | R3L0006 | 1 | Eyebolt | |
| | 1X 0182 | 1 | Nut, Jam | |
| 8 | R3L0006 | 1 | Eyebolt | |
| | 1X 0182 | 1 | Nut, Jam | |
| 9 | R3L0007 | 1 | Eyebolt | |
| | 1X 0182 | 1 | Nut, Jam | |
| 10 | R3L0008 | 1 | Eyebolt | |
| | 1X 0182 | 1 | Nut, Jam | |
| 11 | R3L0009 | 1 | Eyebolt | |
| | 1X 0182 | 1 | Nut, Jam | |
| 12 | REF | 1 | ATB Switch Assy – See Keysheet 18–007 | |
| | E8L0046 | 1 | Label, ATB Lockout Pin | |
| | 990701001 | 1 | Rope, Aircord Wire – 1.3' | |
| | 46M0424 | 2 | Loopsleeve | |
| 13 | 1X 7821 | 1 | Clamp | |
| 14 | 1X 8088 | 1 | Clamp | |
| 15 | J8R0166 | 1 | Cable | |
| 16 | J8L0031 | 1 | Box, Junction | |
| | J8L0034 | 1 | Bracket | |
| | 126009007 | 2 | Capscrew | |
| | 128003001 | 2 | Washer | |
| | 127004001 | 2 | Locknut | |
| 17 | 126009073 | 1 | Capscrew | |
| | 1X 0185 | 1 | Nut, Jam | |
| 18 | J8L0035 | 1 | Connector, ATB Jumper | |
| 19 | J8R0164 | 1 | ATB Connector Plug S/A | NSS |
| | E8L0002 | 1 | Hood, ATB Plug | |
| | J8L0024 | 1 | Terminal, ATB Plug | |
| | E8L0035 | 1 | Relief, Metric Strain | |
| | J8R0161 | 1 | Cable | |
| 20 | 1X 7906 | 2 | Screw, Machine | |
| | 1X 1776 | 2 | Washer | |
| | 1X 4638 | 2 | Locknut | |
| 21 | 1X 6907 | 1 | Clamp | |
| | 127004003 | 1 | Locknut | |

RCL System & Boom Angle Indicator Installation



Parts List

0311

| RCL System & Boom Angle Indicator Installation | | | | |
|--|-----------|-----|-------------------|---------|
| REF | PART NO. | QTY | DESCRIPTION | REMARKS |
| 22 | F7R0108 | 1 | Switch, Key | |
| | 3R 1861 | 1 | Key | |
| | N3P0006 | 1 | Label, RCL Bypass | |
| | N3R0062 | 1 | Bracket | |
| 23 | N3L0018 | 1 | Computer | |
| 24 | 1X 6051 | 1 | Lockwasher | |
| 25 | 71J0303 | 2 | Hose Assy | |
| | 1X 8319 | 2 | Tee | |
| | P9J0100 | 2 | Adaptor | |
| 26 | F8L0003 | 1 | Cover, RCL Box | |
| 27 | 126009003 | 4 | Capscrew | |
| | 128003001 | 4 | Washer | |
| | F7L0017 | 4 | Spacer | |

Park Brake Release Tools

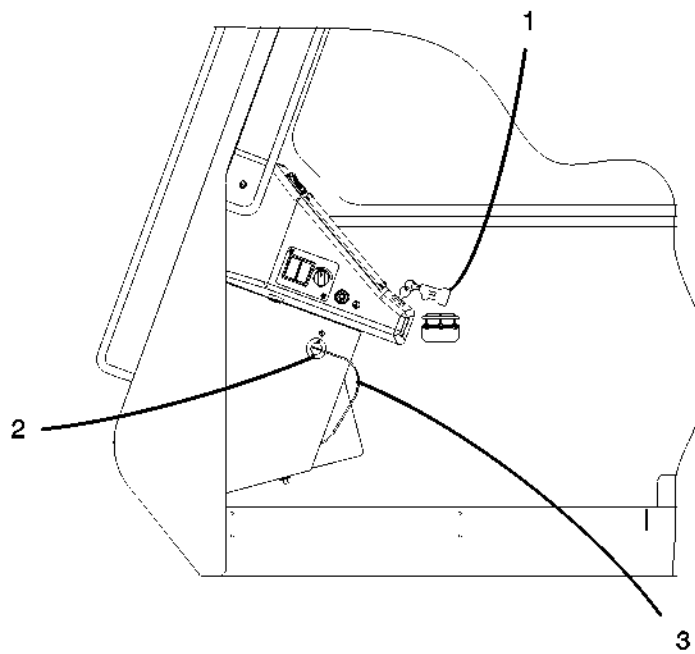
No Illustration Required

Parts List

0209

| Park Brake Release Tools | | | | |
|--------------------------|-----------|-----|-------------|---------|
| REF | PART NO. | QTY | DESCRIPTION | REMARKS |
| | 126004002 | 2 | Capscrew | |
| | 128003012 | 2 | Washer | |
| | 127001001 | 2 | Nut | |

Key Ring & Crane Rating Manual Installation

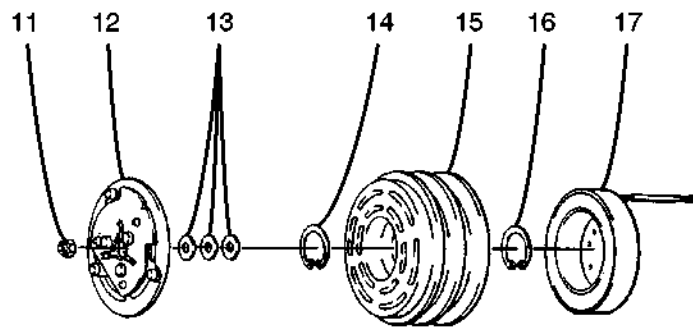
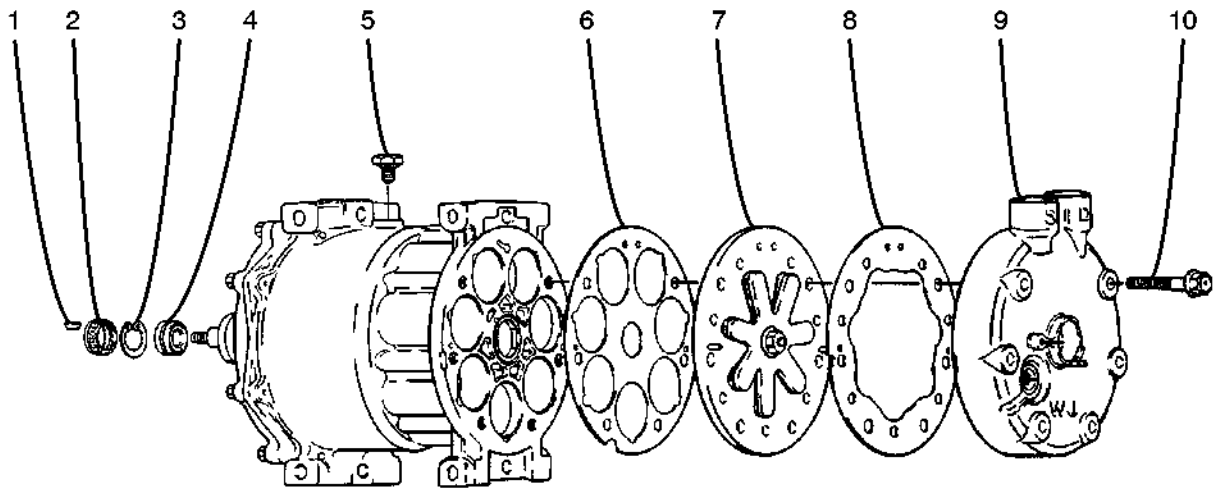


Parts List

0609

| Key Ring & Crane Rating Manual Installation | | | | |
|---|----------|-----|---------------------------|---------|
| REF | PART NO. | QTY | DESCRIPTION | REMARKS |
| 1 | E8N0052 | 1 | Ring, Key | |
| 2 | D6A0750 | 2 | Rivet | |
| 3 | REF | | Crane Rating Manual Cable | |

Compressor Assy

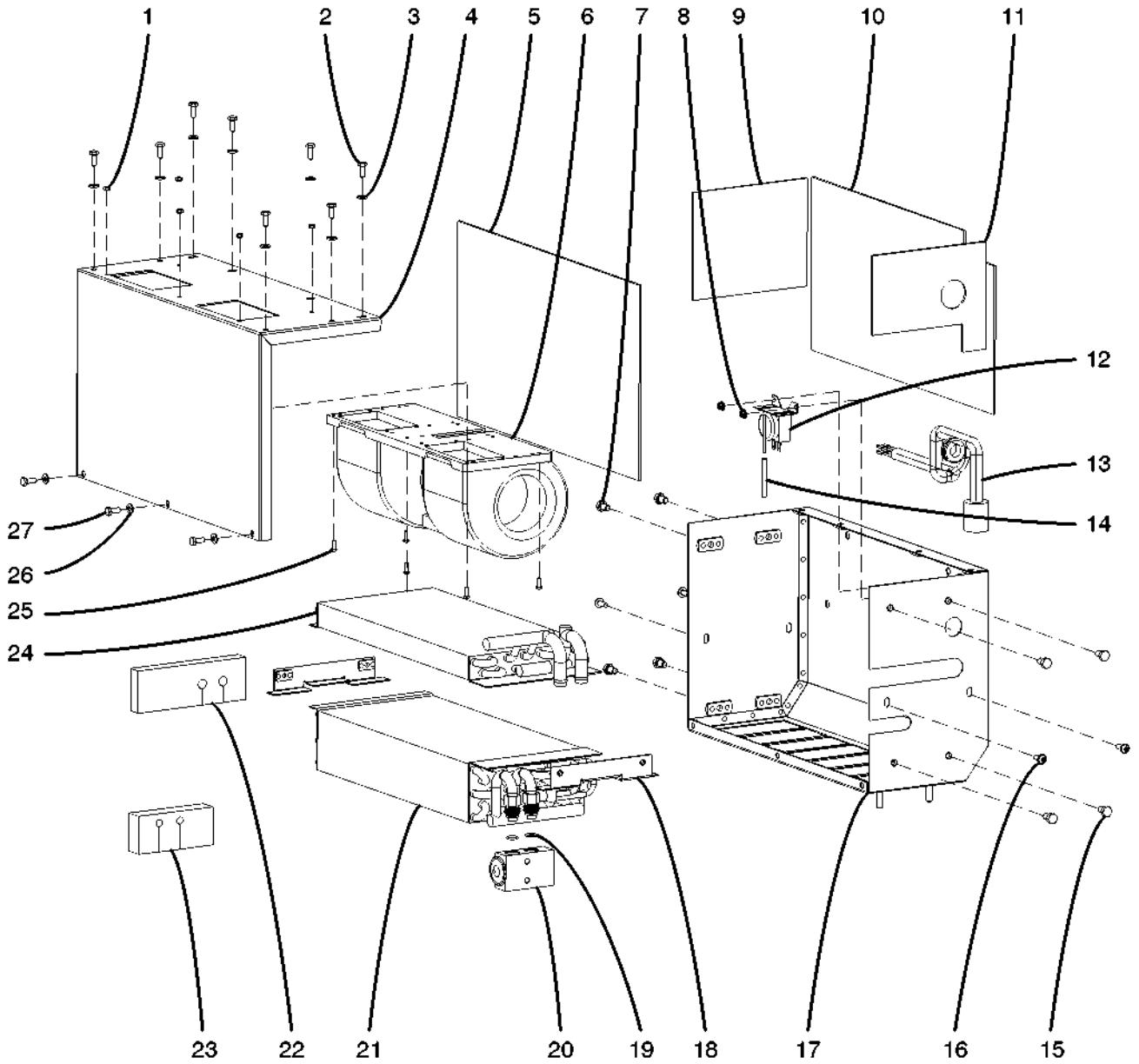


Parts List

0301

| Compressor Assy | | | | |
|-----------------|----------|-----|---|-----------------|
| REF | PART NO. | QTY | DESCRIPTION | REMARKS |
| | F2A0599 | 1 | Compressor Assy | |
| 1 | REF | 1 | Key, Shaft | NSS, KD |
| 2 | REF | 1 | Ring, Felt | NSS, KE |
| 3 | REF | 1 | Ring, Snap | NSS, KE |
| 4 | REF | 1 | Seal, Lip | NSS, KE |
| 5 | REF | 1 | Plug, Oil | NSS |
| 6 | REF | 1 | Gasket, Block | NSS, KF, KG |
| 7 | REF | 1 | Plate, Valve | NSS, KF |
| 8 | REF | 1 | Gasket, Head | NSS, KA, KF, KG |
| 9 | REF | 1 | Head, Cylinder | NSS, KA |
| 10 | REF | 5 | Bolt, Cylinder Head | NSS |
| 11 | REF | 1 | Nut, Shaft | NSS, KB, KD |
| 12 | REF | 1 | Plate, Armature | NSS, KB, KC |
| 13 | REF | 3 | Shim | NSS, KB, KD |
| 14 | REF | 1 | Ring, Snap | NSS, KB, KD |
| 15 | REF | 1 | Rotor | NSS, KB, KC |
| 16 | REF | 1 | Ring, Snap | NSS, KB, KD |
| 17 | 3A 22965 | 1 | Coil, Field | NSS, KB |
| | 3A 22962 | 1 | Kit, Cylinder Head – All Items Marked KA | |
| | 3A 22963 | 1 | Kit, Clutch – All Items Marked KB | |
| | 3A 22964 | 1 | Kit, Armature & Rotor – All Items Marked KC | |
| | 3A 22966 | 1 | Kit, Accessory – All Items Marked KD | |
| | 3A 22959 | 1 | Kit, Shaft Seal – All Items Marked KE | |
| | 3A 22967 | 1 | Kit, Valve Plate – All Items Marked KF | |
| | 3A 22968 | 1 | Kit, Gasket – All Items Marked KG | |

Upper Heater & Evaporator Assy

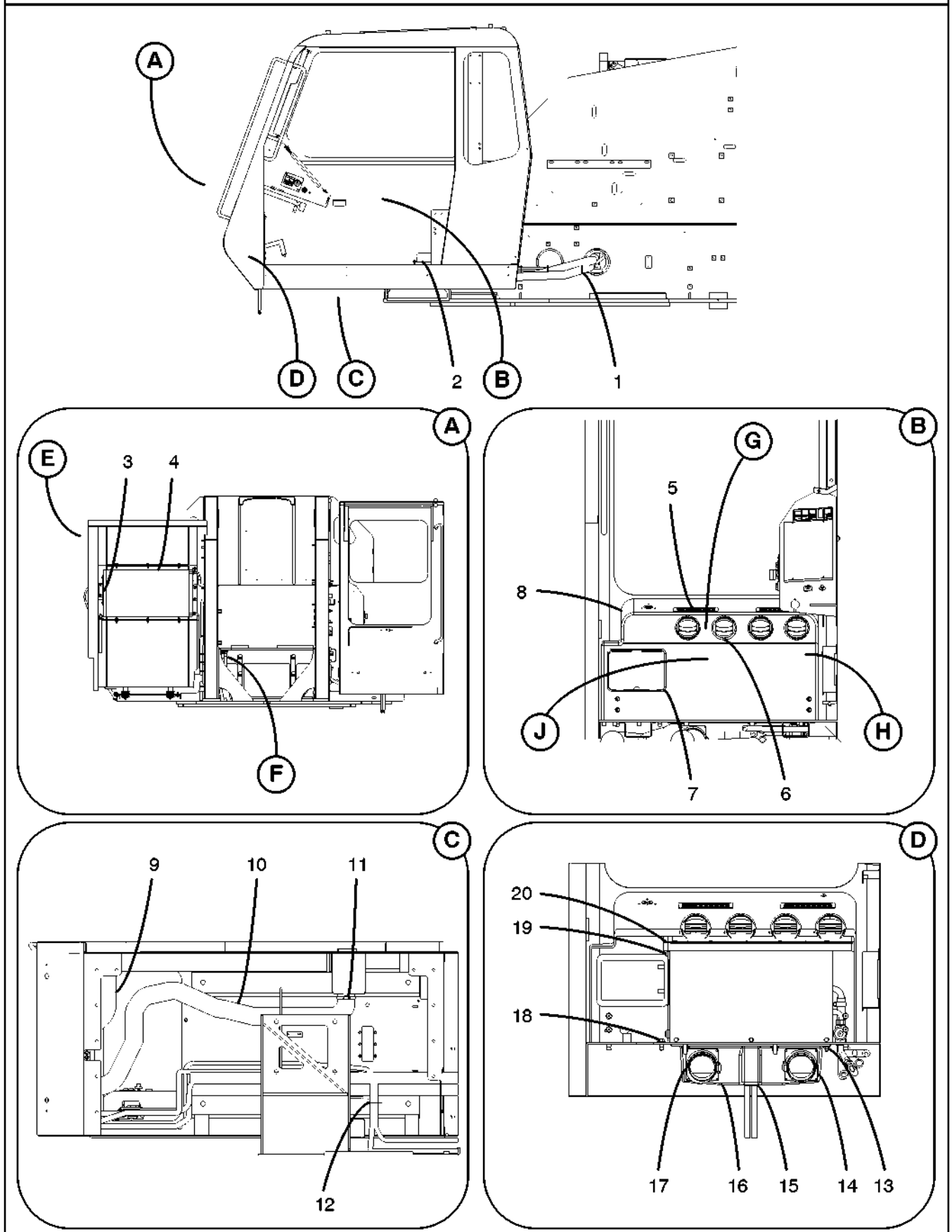


Parts List

0208

| Upper Heater & Evaporator Assy | | | | |
|--------------------------------|----------|-----|-------------------------------|---------|
| REF | PART NO. | QTY | DESCRIPTION | REMARKS |
| | N3N0126 | 1 | Heater & Evaporator Assy | |
| 1 | 3N 1241 | 5 | Nut | |
| 2 | 3J 17221 | 8 | Screw | |
| 3 | 3J 17220 | 8 | Washer | |
| 4 | 3N 1244 | 1 | Housing | |
| 5 | 3N 1249 | 1 | Foam | |
| 6 | 3N 1236 | 1 | Blower | |
| 7 | 3N 1243 | 4 | Capscrew | |
| 8 | 3N 1240 | 2 | Nut | |
| 9 | 3N 1248 | 1 | Foam | |
| 10 | 3N 1249 | 1 | Foam | |
| 11 | 3N 1248 | 1 | Foam | |
| 12 | 3N 1238 | 1 | Switch, Thermostat | |
| 13 | 3N 1232 | 1 | Harness, Wire | |
| 14 | 3N 1251 | 1 | Tubing – 12" | |
| 15 | 3N 1243 | 4 | Capscrew | |
| 16 | 3N 1239 | 4 | Screw | |
| 17 | 3N 1246 | 1 | Housing | |
| 18 | 3N 1245 | 2 | Bracket | |
| 19 | 3N 1235 | 2 | O–ring | |
| 20 | 3N 1237 | 1 | Block, Valve | |
| 21 | 3N 1234 | 1 | Coil, Evaporator | |
| 22 | 3N 1247 | 1 | Foam | |
| 23 | 3N 1250 | 1 | Foam | |
| 24 | 3N 1233 | 1 | Coil, Evaporator | |
| 25 | 3N 1242 | 5 | Screw | |
| 26 | 3J 17220 | 3 | Washer | |
| 27 | 3J 17221 | 3 | Screw | |
| | 3N 1254 | 1 | Bag, Parts – Not Shown | |
| | 3N 1255 | 1 | Hose, Drain – 72" – Not Shown | |
| | 3N 1256 | 2 | Valve, Condensate – Not Shown | |
| | 3N 1257 | 2 | Fitting – Not Shown | |

Upper Air Conditioning

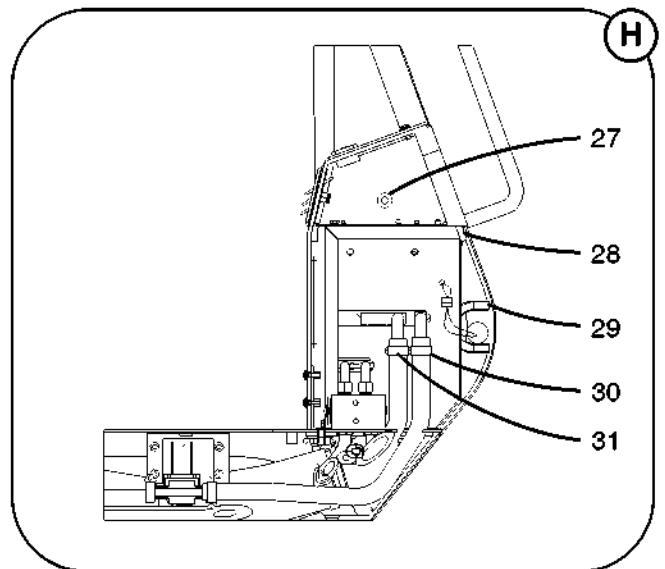
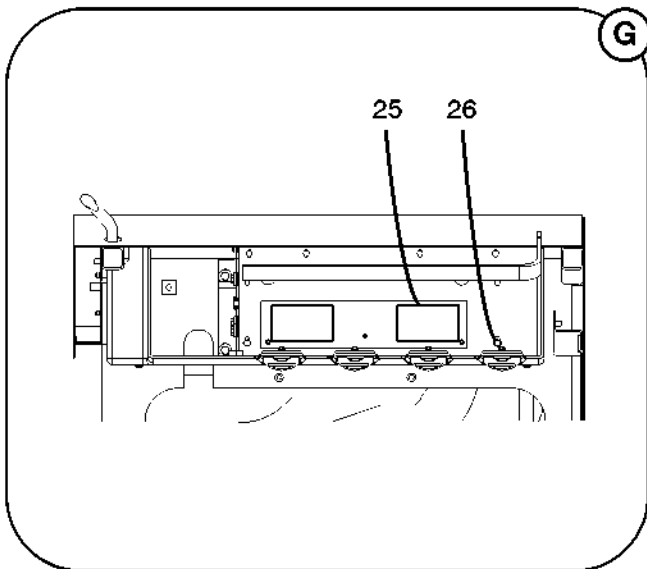
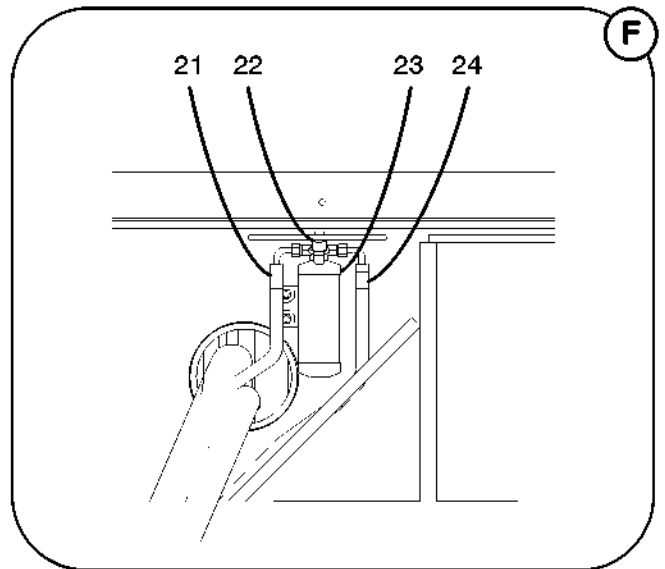
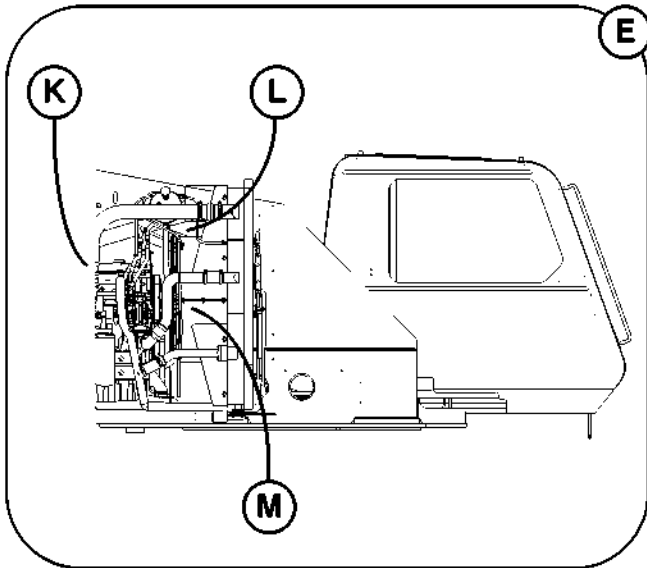


Parts List

1109

| Upper Air Conditioning | | | | |
|------------------------|-----------|-----|----------------------|---------|
| REF | PART NO. | QTY | DESCRIPTION | REMARKS |
| 1 | 71J0005 | 4 | Tie, Cable | NSS |
| 2 | N3N0219 | 1 | Filter | |
| | 126009004 | 2 | Capscrew | |
| | 128003001 | 2 | Washer – 0.75" OD | |
| | 128003004 | 2 | Washer – 1" OD | |
| | 38J1064 | 2 | Spacer | |
| 3 | J7H0102 | 2 | Bracket | |
| | 126009129 | 4 | Capscrew | |
| | 128003002 | 4 | Washer | |
| 4 | J7J0557 | 1 | Condenser | |
| | 126009001 | 4 | Capscrew | |
| | 128003001 | 4 | Washer | |
| | J9N0027 | 1 | Heater Cover S/A | |
| 5 | N3N0089 | 2 | Louver | |
| 6 | N3N0090 | 4 | Louver | |
| 7 | N3N0052 | 1 | Cover, Fuse | |
| 8 | N3N0037 | 1 | Panel | |
| | 824033010 | 1 | Weatherstrip – 5.34' | |
| | 1X 5314 | 5 | Screw | |
| 9 | 822025005 | 1 | Trim – 4.5' | |
| 10 | 822025005 | 1 | Trim – 5.1' | |
| 11 | 1X 5270 | 2 | Clamp | |
| 12 | 71J0005 | 1 | Tie, Cable | |
| 13 | 128003002 | 2 | Washer | |
| | 127004002 | 2 | Locknut | |
| | J9N0025 | 1 | Air Duct Assy | |
| 14 | N3N0212 | 2 | Adaptor, Hose | |
| 15 | N3N0230 | 2 | Adaptor, Hose | |
| 16 | J9N0024 | 1 | Duct, Air | |
| | 128003004 | 2 | Washer | |
| | 127004003 | 2 | Locknut | |
| 17 | 1X 5270 | 2 | Clamp | |
| 18 | 126009095 | 2 | Capscrew | |
| | 128003002 | 2 | Washer | |
| 19 | N4N0027 | 1 | Baffle | |
| | 126009095 | 4 | Capscrew | |
| | 128003002 | 8 | Washer | |
| 20 | N3N0180 | 1 | Baffle | |

Upper Air Conditioning

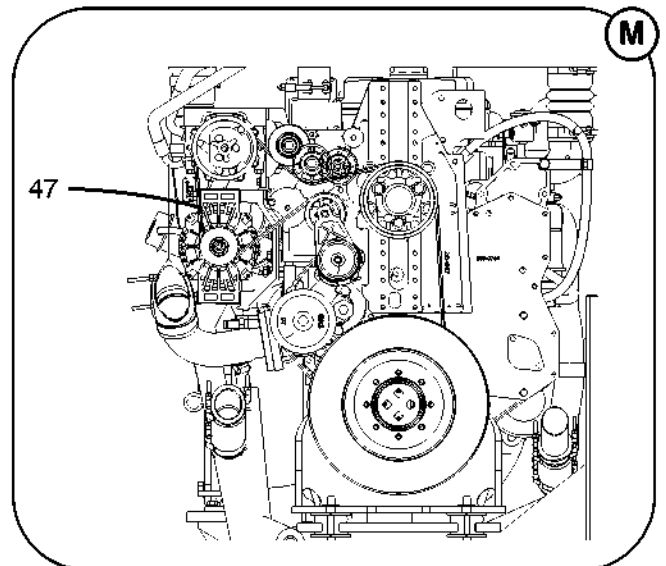
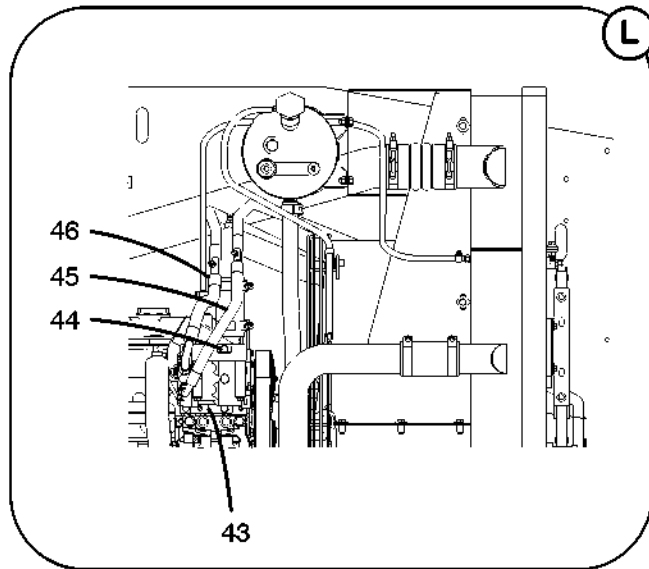
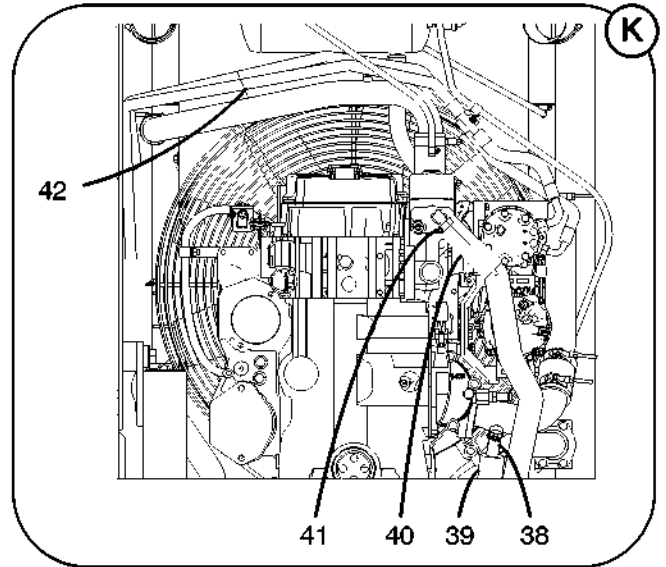
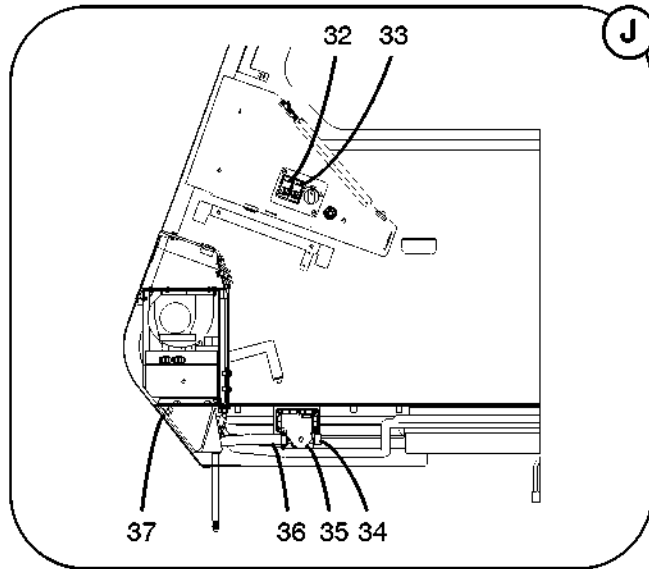


Parts List

1109

| Upper Air Conditioning | | | | |
|------------------------|-----------|-----|--|---------|
| REF | PART NO. | QTY | DESCRIPTION | REMARKS |
| 21 | J7J0562 | 1 | Hose Assy | |
| 22 | J7J0558 | 1 | Switch, Binary | |
| 23 | J7J0559 | 1 | Drier | |
| | 128003004 | 2 | Washer | |
| | 127004003 | 2 | Locknut | |
| 24 | J7J0964 | 1 | Hose Assy | |
| 25 | REF | 1 | Upper Heater & Evaporator Assy – See Keysheet 18–018 | |
| 26 | 126006006 | 2 | Capscrew | |
| | 128002005 | 2 | Washer | |
| 27 | 36J0772 | 1 | Grommet, Rubber | |
| 28 | 824033010 | 1 | Weatherstrip – 1.75' | |
| 29 | 824025005 | 1 | Trim – 0.38' | |
| 30 | 18A2838 | 1 | Clamp | |
| 31 | 18A2838 | 1 | Clamp | |

Upper Air Conditioning



Parts List

1109

| Upper Air Conditioning | | | | |
|------------------------|-----------|-----|--|---------|
| REF | PART NO. | QTY | DESCRIPTION | REMARKS |
| 32 | C5A1558 | 1 | Switch | NSS |
| | N3N0267 | 1 | Lens, Heater/AC | |
| 33 | C5A1558 | 1 | Switch | |
| | N3N0268 | 1 | Lens, Heater | |
| 34 | 18A2838 | 2 | Clamp | |
| 35 | L8R0252 | 1 | Water Valve S/A | |
| | L8R0251 | 1 | Valve | |
| | 1X 7920 | 4 | Screw, Machine | |
| | 127004001 | 4 | Locknut | |
| | L8J0407 | 1 | Bracket | |
| | 128003004 | 1 | Washer | |
| | 127004003 | 1 | Locknut | |
| 36 | 822001003 | 1 | Hose – 1.75' | |
| 37 | 128003004 | 2 | Washer | |
| | 127004003 | 2 | Locknut | |
| 38 | 822001003 | 1 | Hose – 19.4' | |
| | 18A2838 | 1 | Clamp | |
| 39 | 850075001 | 1 | Sleeve, Insulation – 16.3' | |
| 40 | 850075001 | 1 | Sleeve, Insulation – 18.5' | |
| 41 | 822001003 | 1 | Hose – 19.4' | |
| | 18A2838 | 1 | Clamp | |
| 42 | 71J0005 | 4 | Tie, Cable | |
| 43 | F2A0599 | 1 | Compressor Assy – See Keysheet 18-018-070.00 | |
| 44 | R3A0051 | 1 | Mount, A/C Compressor | |
| 45 | R3J0201 | 1 | Hose Assy | |
| 46 | R3J0202 | 1 | Hose Assy | |
| 47 | R3H0041 | 1 | Belt | |

Schematics

No Illustration Required

Parts List

0310

| Schematics | | | | |
|------------|----------|-----|--|---------|
| REF | PART NO. | QTY | DESCRIPTION | REMARKS |
| | R3J0045S | 1 | Schematic, Hydraulic | |
| | R3R0107S | 1 | Schematic, Electrical | |
| | | | <p>NOTE: USE THE SCHEMATICS FOR TROUBLESHOOTING ONLY. DO NOT ORDER PARTS FROM THE INFORMATION ON THE SCHEMATIC DRAWINGS.</p> <p>The schematic drawings are available as a set (individual drawings are not available) from the Customer Information Center at LBCE. The crane serial number is required for ordering.</p> | |