



LINK-BELT CRANES
2651 Palumbo Drive
Lexington, KY 40509
(859) 263-5200

RTC-8050XP II J6K8-5700

PARTS MANUAL

CRANE SERIAL NUMBER

The crane serial number is on the Crane Rating Manual or Capacity Plate which is located inside the operator's cab. The serial number should always be furnished when ordering parts for the crane or when corresponding with the Distributor or Factory concerning the crane. Providing the serial number is the only way of ensuring the correct parts and/or information can be furnished.

In the event the serial number is not readable, a number is stamped on the upper revolving frame which can be used to help to identify the crane. On cable cranes this number is on the right hand boom foot mounting lug. On hydraulic cranes the number is stamped just below the boom hoist cylinder mounting lugs.

THIS PAGE LEFT INTENTIONALLY BLANK

How To Use This Manual

The following information is provided to help guide the user of this manual. This manual is a collection of Parts Lists which are used to identify the serviceable parts for a specific crane. An explanation of how this manual is organized, as well as some additional general information on this Parts Manual, are provided.

Keysheet And General Information

The Keysheet is the heart of the Parts Manual. It is used to organize all of the Parts Lists contained in the Parts Manual and serve as a Table Of Contents. The Keysheet is purposely designed to simplify the process of locating parts and their respective service part numbers. A general information area can also be found at the top of most Keysheets. This area is provided as a quick reference location for key crane information such as serial numbers and reference literature.

Each Parts List has been given a numerical code, or Parts Page Code, which is unique to that grouping of parts. The Keysheet is used to locate the applicable Parts List using this Parts Page Code system. The first two characters of each Parts Page Code identify a general area on the crane. By understanding these first two characters, the user can quickly identify the approximate location of the Parts List they require. For example, if the user of this manual is looking for a component that may be associated with the Rubber Tire Lower of the crane, they can refer to Area 01 Parts Page Codes on the Keysheet as a good place to start identifying the Parts List that will contain the part they are searching for. A quick reference to these general area, two character descriptions is provided below.

General Area Descriptions

Link- Belt Based Crane Models

- 01 - Rubber Tire Lower
- 02 - Crawler Lower
- 03 - Upper Frame & Machinery
- 04 - Vertical Shafts
- 05 - Horizontal Shafts
- 06 - Upper Engine & Electrical
- 07 - Upper Hydraulics & Air
- 08 - Angle Boom
- 09 - Tubular Boom
- 10 - Tagline Winder
- 11 - Fairleader
- 12 - Shovel Attachment (Discontinued)
- 13 - Trench Hoe, Logger & Scrapper Attachment & Prop Handler (Discontinued)
- 14 - Upper Cab & House Assembly
- 15 - Rotascope Attachment (Discontinued)
- 16 - Wire Rope Requirements
- 17 - Hydraulic Boom
- 18 - Special Attachments
- 19 - Diesel Pile Hammer (Discontinued)
- 20 - Tower, Climbing Assembly, Traveling Base, & Gantry (Discontinued)
- 21 - Log Skidder (Discontinued)
- 22 - Hydraulic Hammer (Discontinued)

Sumitomo (SCM/HSC) Based Crane Models

- 41 - Rubber Tire Lower
- 42 - Crawler Lower
- 43 - Upper Frame & Machinery
- 44 - Vertical Shafts
- 45 - Horizontal Shafts
- 46 - Engines
- 47 - Hydraulic Power Supply
- 48 - Air Controls
- 49 - Mast
- 50 - Crane Attachments
- 51 - Telescopic Boom Attachment
- 52 - Lifting Magnet
- 53 - Pile Driver Attachments
- 54 - Shovel Attachments
- 55 - Other Attachments
- 56 - Cab And House
- 57 - Electric Parts
- 58 - Wire Rope Requirements
- 59 - Name Plates & Accessories
- DA - Lowers
- DB - Swing Frames, Bed, & Counterweight
- DC - Horizontal Shafts
- DD - Winch System
- DE - Boom Hoist System
- DF - Swing System
- DH - Engines & Power Units
- DJ - Controllers & Lines
- DK - Gantries (Masts)
- DM - Attachments
- DN - Operator's Cab, House, & Covers
- DP - Accessories & Name Plates
- DR - Electric Parts
- DT - Fairleader
- DY - Wire Rope Requirements
- DZ - Miscellaneous
- ZA - Inner Parts

Identifying the Applicable Parts List

Each major installation or assembly is broken down in detail to its serviceable parts on a Parts List. Each of these Parts Lists consist of illustrations and/or text to help identify the serviceable parts. To best identify the applicable Parts List, follow these steps:

1. Using the General Area Descriptions provided earlier in this document, determine the two character code that most likely identifies the area of the crane where the part you need would be found.
2. Locate that General Area on the Keysheet.
3. Identify the Parts List title that best describes the location where the part might be found.
4. Note the Parts Page Code opposite that Parts List title.
5. In this Parts Manual, turn to the Parts Page Code identified in Step 4.
6. Find the part needed on the illustration.
7. Using the reference number of the part on the illustration, refer to the same reference number on the Parts List to identify the service part number.

Parts Ordering Instructions

1. Always give crane model and serial number.
2. Always order parts from authorized distributors. By doing so one is assured of prompt service and guaranteed quality.
3. Give full instructions for shipment. State whether air express, truck, parcel post, freight, etc., stock or emergency order, and to whom and where the parts are to be shipped.
4. Do not specify quantity by sets. Indicate specifically how many of each part are required.
5. If a part on an illustration does not coincide with a part on your crane, contact your local Link-Belt distributor with a description and/or picture of the part.
6. Prices on parts listed in the Parts Manual may be obtained from any Link-Belt distributor.

KEYSHEET AND GENERAL INFORMATION

DATE 10/16/17
PAGE 1

ORDER NO.- J6XP011 MODEL - RTC-8050XP II SERIAL NO. - J6K8-5700

DISTRIBUTOR: PARAMOUNT GRUAS
ENGINE:
 MODEL- CUMMINS QSB6.7 T3
 S/N- 73959418
 OPERATION- 4915973
 PARTS- NONE

O/M BOOK- 1288060117
ADDENDUMS - NONE
TECH BULLETINS - NONE
MISCELLANEOUS - HOIST ROPE CAUTION

SALES ORDER: 025700
TRANSMISSION:
 MODEL- DANA 32000
 S/N- ZBEA074008
 OPERATION- NONE

AEM: BOOK- MC-1407
 VIDEO- DVD-CR

PARTS PAGE	DESCRIPTION	PARTS PAGE	DESCRIPTION
01	RUBBER TIRE LOWER	01	RUBBER TIRE LOWER

01-001-330.00	TOWING SHACKLES	01-066-332.00	POWER PANEL ASSY
01-001-382.00	MIRROR INSTALLATION	01-067-296.00	O/R POSITION SENSOR INSTL
01-001-436.00	FRONT STORAGE BOX INSTALL	01-067-445.00	CARRIER WIRING
01-001-667.00	CARRIER ACOUSTIC INSTALL	01-069-332.00	TIRE & WHEEL ASSY
01-002-272.00	FRONT AXLE S/A	01-071-482.00	HOOD ASSY
01-002-273.00	FRONT AXLE ASSY	01-071-537.00	CARRIER SHEET METAL INSTALLATION
01-004-152.00	SUSPENSION LINK ASSY	01-071-538.00	CARRIER SHEET METAL KIT
01-004-165.00	FRONT & REAR AXLE INSTALL	01-075-397.00	AIR CLEANER ASSY
01-007-040.00	STEER CYLINDER ASSY	01-075-598.00	ENGINE, TRANSMISSION, & PUMPS
01-009-085.00	REAR STEER INDICATOR	01-075-602.00	MUFFLER INSTALLATION
01-012-237.00	FUEL TANK ASSY	01-075-605.00	AIR CLEANER INSTALLATION
01-012-279.00	FUEL TANK INSTALLATION	01-075-606.00	RADIATOR, CAC, TOC, & SURGE TANK INSTALLATION
01-018-165.00	MAIN TRANSMISSION ASSY	01-075-607.00	RADIATOR, CAC, & HOC ASSY
01-022-331.00	DRIVE TRAIN	01-076-156.00	COLLECTOR RING ASSY
01-024-390.00	REAR AXLE S/A	01-078-067.00	OSCILLATION LOCKOUT MANIFOLD ASSY
01-024-391.00	REAR AXLE ASSY	01-078-091.00	LOCKOUT CYLINDER ASSY
01-030-027.00	PARK BRAKE ASSY	01-079-218.00	SUCTION, PRESSURE & RETURN LINES
01-037-042.00	O/R BEAM CYLINDER ASSY	01-079-219.00	LOWER MAIN HYDRAULICS
01-039-100.00	FILTER ASSY	01-080-180.00	PUMP DISCONNECT INSTALL
01-039-127.00	HYDRAULIC RESERVOIR INSTALLATION	01-081-112.00	2 SECTION GEAR PUMP ASSY
01-039-128.00	HYDRAULIC RESERVOIR S/A	01-081-113.00	2 SECTION GEAR PUMP ASSY
01-043-047.00	2 WAY VALVE STACK ASSY	03	UPPER FRAME & MACHY
01-043-050.00	4 WAY SOLENOID VALVE ASSY	*****	
01-043-056.00	2 SECT STEER VALVE ASSY	03-002-060.00	SEAT ASSY
01-043-065.00	4 WAY SOLENOID VALVE ASSY	03-003-284.00	MAIN COUNTERWEIGHT INSTL
01-045-175.00	O/R BEAM, CYLINDERS, & LINES	03-006-152.00	2 POSITION SWING LOCK
01-046-084.00	JACK CYLINDER ASSY	03-006-167.00	SWING LOCK LEVER S/A
01-048-265.00	ROTATING JOINT & CENTER SECTION		
01-049-046.00	PONTOON INSTALLATION		
01-050-033.00	TRANSMISSION OIL COOLER INSTALLATION		
01-066-212.00	BATTERY SPECIFICATIONS		

KEYSHEET AND GENERAL INFORMATION

DATE 10/16/17
PAGE 2

ORDER NO.- J6XP011 MODEL - RTC-8050XP II SERIAL NO. - J6K8-5700

PARTS PAGE	DESCRIPTION	PARTS PAGE	DESCRIPTION
04	VERTICAL SHAFTS	07	UPPER HYDRAULICS & AIR

04-010-085.00	SWING REDUCTION & TT BRG INSTALLATION	07-008-519.00	PRIORITY VALVE ASSY
04-010-096.00	SWING REDUCTION UNIT ASSY	07-008-526.00	FLOW DIVIDER VALVE ASSY
		07-008-560.00	2 SECTION CONTROL VALVE ASSY
05	HORIZONTAL SHAFTS	07-008-608.00	WINCH DISABLE VALVE S/A

05-006-242.00	WINCH ASSY	07-008-609.00	WINCH VALVE S/A
05-006-243.00	REAR WINCH INSTALLATION	07-008-610.00	WINCH VALVE S/A
		07-008-615.00	PILOT OIL SUPPLY VALVE S/A
06	UPPER ENGINE & WIRING	07-008-616.00	SWING/TELESCOPE VALVE S/A

06-013-248.00	240V ENGINE BLOCK HEATER INSTALLATION	07-008-617.00	ACCUMULATOR CHARGE VALVE S/A
06-024-186.00	UPPER ELECTRICAL CONTROL PANEL ASSY	07-008-618.00	SWING PARK BRAKE VALVE S/A
06-025-264.00	DIESEL COOLANT HEATER ASSY	07-008-619.00	BOOM HOIST VALVE S/A
06-047-366.00	UPPER WIRING	07-008-620.00	FLOW DIVIDER VALVE S/A
06-048-169.00	CAN-BUS CABLE ASSY	07-010-549.00	SEAT & JOYSTICK CONTROLS
06-048-170.00	CAN-BUS CABLE ASSY	07-022-056.00	STEERING CONTROL VALVE ASSY
06-048-235.00	UPPER CAB WIRE HARNESS	07-022-063.00	STEERING COLUMN ASSY
06-049-009.00	OUTRIGGER REMOTE CONTROL ASSY	07-022-075.00	STEERING COLUMN S/A
		14	CAB & HOUSE ASSEMBLY

07	UPPER HYDRAULICS & AIR	14-001-608.00	MIRROR INSTALLATION

07-002-084.00	SHUTTLE VALVE S/A	14-001-728.00	CAB MOUNTING
07-003-062.00	SOLENOID VALVE ASSY	14-001-935.00	RIGHT SIDE SLIDING WINDOW ASSY
07-003-094.00	FUNCTION DISABLE VALVE S/A	14-001-936.00	REAR SLIDING WINDOW ASSY
07-004-680.00	UPPER MAIN HYDRAULICS	14-005-112.00	UPPER PLATFORM & RAILS
07-004-681.00	PRESSURE TRANSDUCER S/A	14-005-114.00	PLATFORM & RAILS KIT
07-006-397.00	SWING MOTOR ASSY	14-006-039.00	TOP HATCH WINDOW ASSY
07-006-623.00	REAR WINCH PLUMBING	14-006-099.00	RADIO INSTALLATION
07-006-625.00	SWING MOTOR S/A	14-006-124.00	UPPER CAB DOOR, WINDOWS, & VINYL ASSY
07-008-397.00	PILOT OIL SUPPLY VALVE ASSY	14-006-125.00	UPPER CAB VINYL KIT
07-008-479.00	LH JOYSTICK HANDLE ASSY	14-006-126.00	DOOR ASSY
07-008-480.00	RH JOYSTICK HANDLE ASSY	14-006-127.00	FLOOR PLATE S/A
07-008-497.00	BOOM TELESCOPE FOOT PEDAL	14-006-161.00	LATCH ASSY
07-008-499.00	SWING/TELESCOPE CONTROL VALVE ASSY	14-006-377.00	UPPER CAB ASSY
07-008-500.00	BOOM HOIST CONTROL VALVE ASSY	14-007-010.00	FAN S/A
07-008-513.00	CONTROLLER VALVE ASSY		

KEYSHEET AND GENERAL INFORMATION

DATE 10/16/17
PAGE 3

ORDER NO.- J6XP011 MODEL - RTC-8050XP II SERIAL NO. - J6K8-5700

PARTS PAGE	DESCRIPTION	PARTS PAGE	DESCRIPTION
16	WIRE ROPE REQUIREMENTS	18	SPECIAL ATTACHMENTS

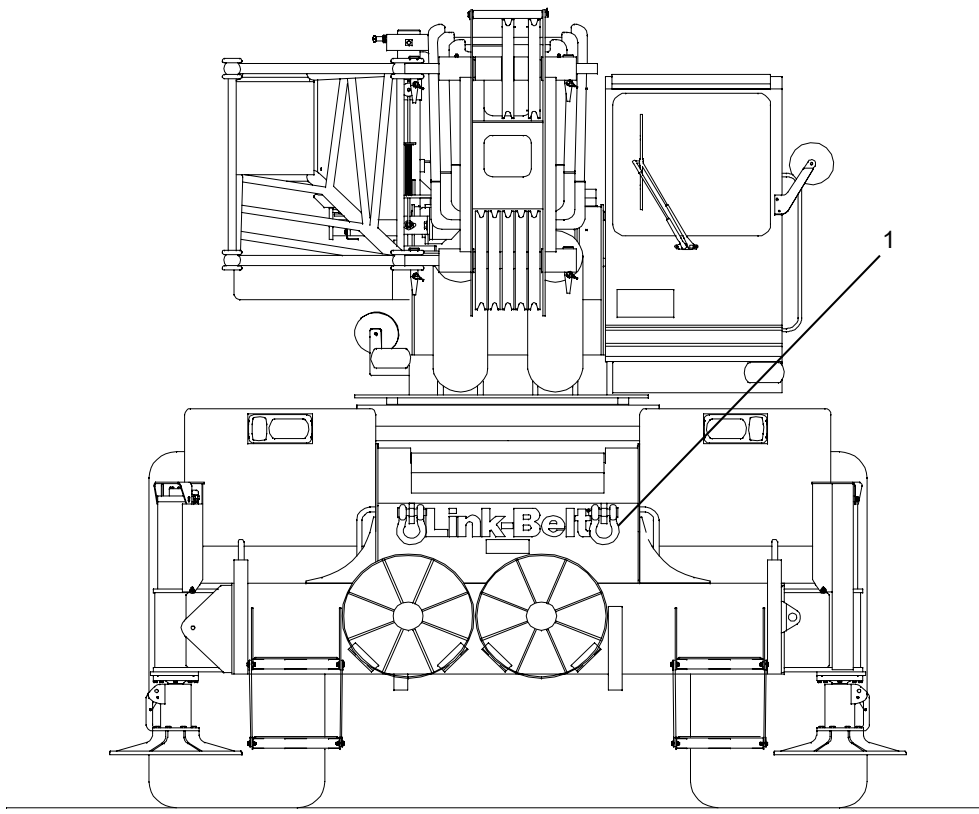
16-000-001.00	WIRE ROPE SPECIFICATIONS	18-014-129.00	KEY RING & CRANE RATING
16-000-166.00	TERMINATOR SOCKET & WEDGE & DRUM WEDGE	18-014-176.00	MANUAL INSTALLATION
16-005-143.00	WIRE ROPE-TYPE KC-600'	18-018-176.00	FILTER KIT
		18-018-049.00	COMPRESSOR ASSY
		18-018-095.00	GEAR MOTOR ASSY
17	HYDRAULIC BOOM	18-018-098.00	UPPER HEATER & EVAPORATOR

17-001-154.00	BOOM FOOT PIN & BEARING	18-018-105.00	ASSY
17-001-158.00	4 SECTION BOOM ASSY	18-018-105.00	CONDENSER ASSY
17-001-175.00	INNER MID SECTION	18-018-238.00	UPPER AIR CONDITIONING &
17-001-176.00	OUTER MID SECTION		HEATER INSTALLATION
17-001-425.00	BASE SECTION	18-018-252.00	HEATER COVER S/A
17-001-426.00	TIP SECTION	18-020-404.00	SCHEMATICS
17-002-298.00	TELESCOPE CYLINDER ASSY	18-024-330.00	LINK-BELT LABELS & STRIPE
17-003-152.00	BOOM HOIST CYLINDER ASSY	18-024-354.00	ICRANETRAX LABEL INSTALL
17-003-209.00	BOOM HOIST CYLINDER & LINES	18-024-468.00	LABELS
		18-025-088.00	TELEMATICS INSTALLATION
17-009-102.00	4 SHEAVE HEAD MACHINERY	18-025-101.00	UPPER CAMERA SYSTEM
18	SPECIAL ATTACHMENTS		

18-001-056.00	BOOM ANGLE INDICATOR		
18-004-014.00	8.5 TON SWIVEL HOOKBALL		
18-004-111.00	60 TON 4 SHV HOOK BLOCK		
18-004-130.00	HOOK BLOCK TIE BACK CABLE INSTALLATION		
18-005-161.00	UPPER CAB STROBE LIGHT INSTALLATION		
18-007-272.00	ATB WEIGHT ASSY		
18-007-278.00	ATB CONNECTOR PLUG S/A		
18-007-279.00	ATB SWITCH S/A		
18-007-280.00	ATB SWITCH S/A		
18-007-308.00	BOOM LENGTH & ATB REEL ASSY		
18-009-821.00	CRANE RATING MANUAL & ID LABEL		
18-009-976.00	LINK-BELT GRILLE LABEL		
18-013-499.00	RCL BAR GRAPH INSTALL		
18-013-581.00	RCL DISPLAY ASSY		
18-013-584.00	WIRELESS WIND SPEED SYSTEM INSTALLATION		
18-013-600.00	RCL SYSTEM & BOOM ANGLE INDICATOR INSTALLATION		
18-014-007.00	FIRE EXTINGUISHER		
18-014-105.00	BOOM WRENCH		

THIS PAGE LEFT INTENTIONALLY BLANK

Towing Shackles

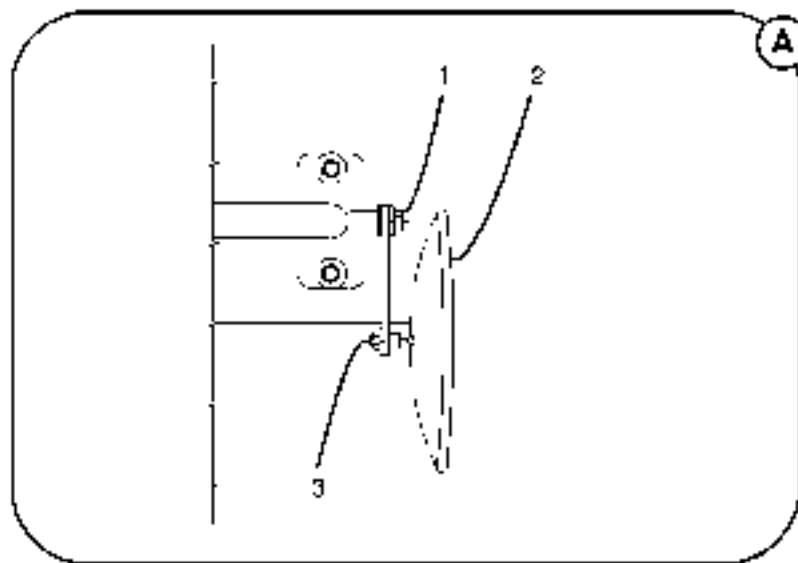
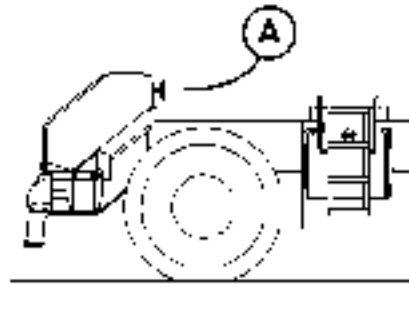


Parts List

0615

Towing Shackles				
REF	PART NO.	QTY	DESCRIPTION	REMARKS
1	188017001	2	Anchor Shackle	

Mirror Installation

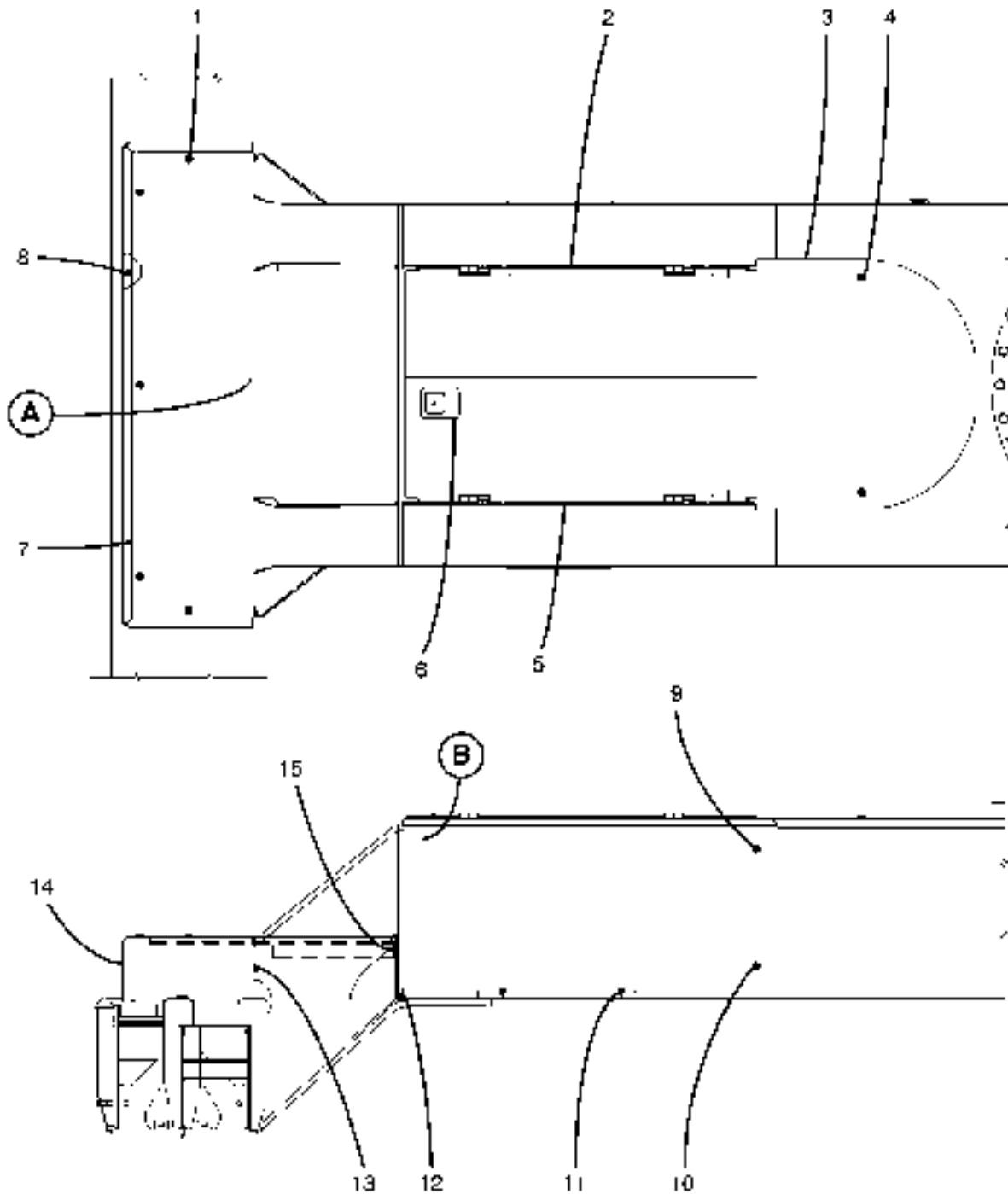


Parts List

0606

Mirror Installation				
REF	PART NO.	QTY	DESCRIPTION	REMARKS
1	F7A0747	2	Plate	
	126009013	2	Capscrew	
	128003002	1	Washer	
	46L0026	1	Washer, Nylon	
2	53A0455	2	Mirror	
3	128003002	2	Washer	

Front Storage Box Installation

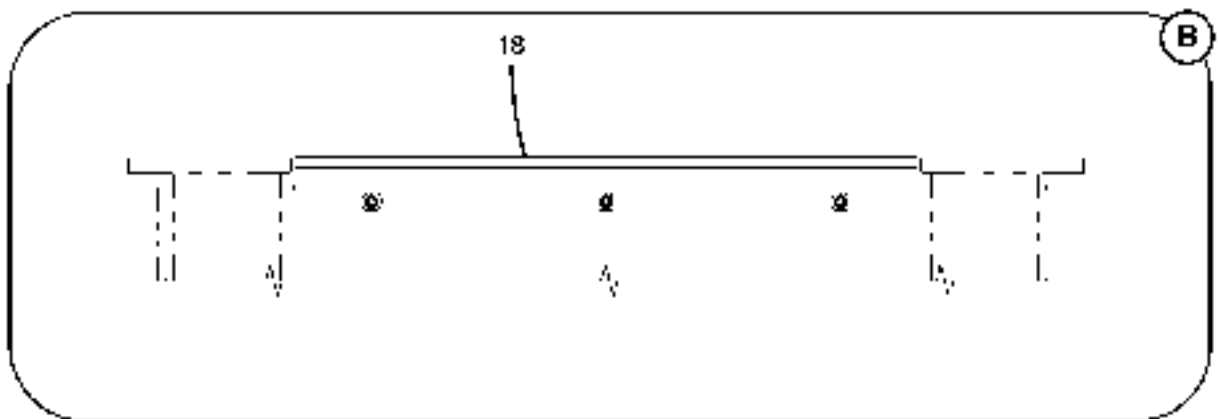
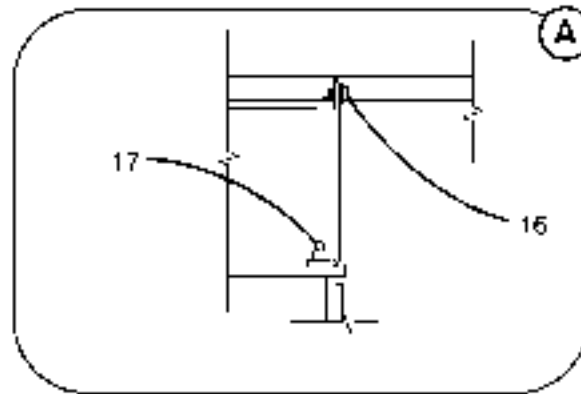


Parts List

0606

Front Storage Box Installation				
REF	PART NO.	QTY	DESCRIPTION	REMARKS
1	F6A0076	5	Screw	
	128003004	5	Washer	
	65A0568	5	Nut, Retainer	
2	F7A0714	1	Lid. Right Side	
	69A0261	2	Pin. Hinge	
3	J6A0305	2	Cover	
4	F6A0076	2	Screw	
	128003004	2	Washer	
	65A0568	2	Nut, Retainer	
5	F7A0715	1	Lid. Left Side	
	69A0261	2	Pin. Hinge	
6	59A1750	1	Lock	
	0001250	1	Key	
	127004001	4	Locknut	
7	J6A0103	1	Cover, Front	
8	128003004	4	Washer	
	127004003	4	Locknut	
9	J6A0304	1	Tub. Storage	
	126009013	2	Capscrew	
	128003004	2	Washer	
	65A0568	2	Nut, Retainer	
10	126009013	3	Capscrew	
	128003004	3	Washer	
	65A0568	3	Nut, Retainer	

Front Storage Box Installation

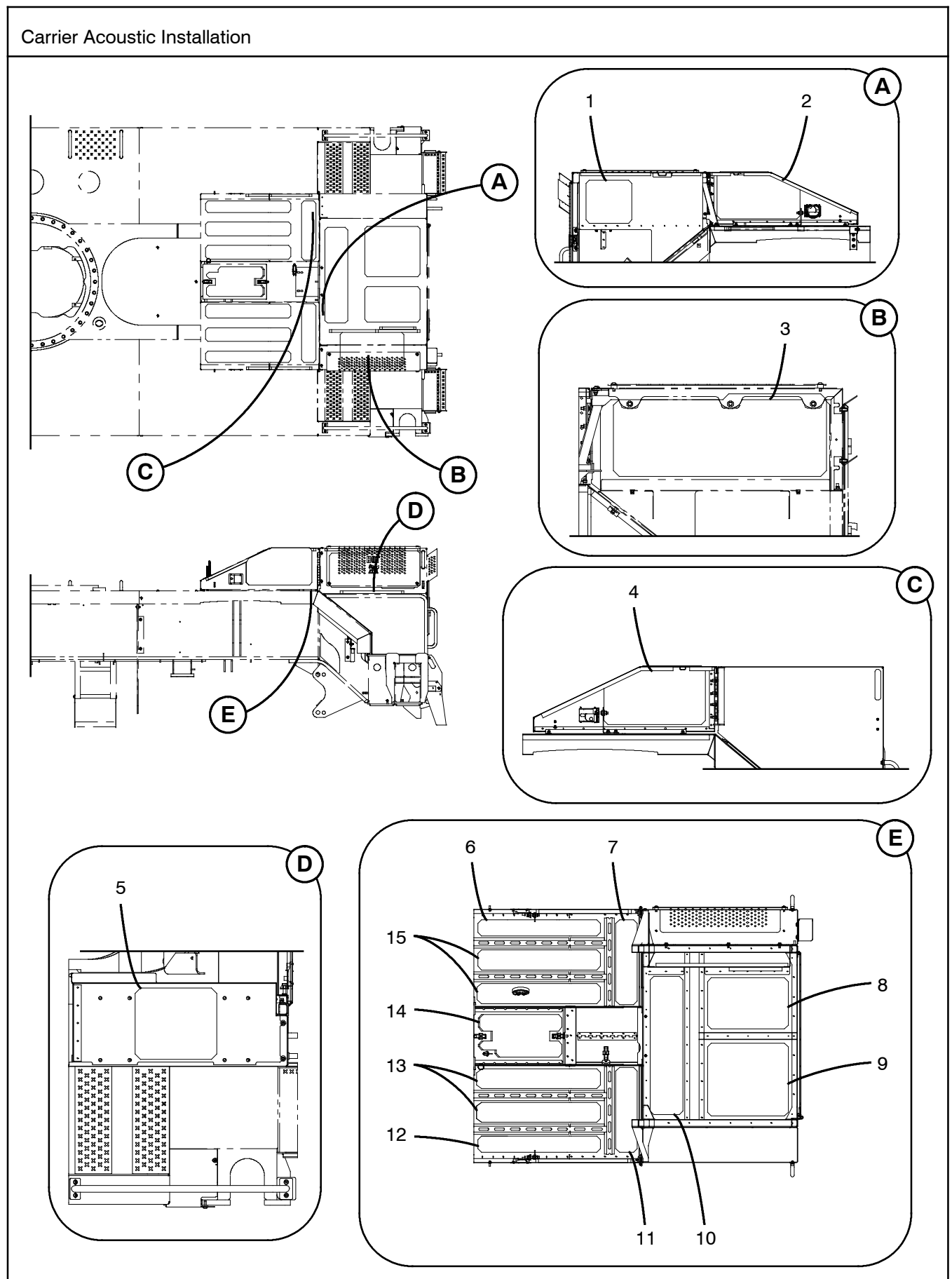


Parts List

0606

Front Storage Box Installation				
REF	PART NO.	QTY	DESCRIPTION	REMARKS
11	126009014	4	Capscrew	
	128003004	8	Washer	
	127004003	4	Locknut	
12	128003004	3	Washer	
	127004003	3	Locknut	
	126009013	2	Capscrew	
13	128003004	2	Washer	
	65A0568	2	Nut, Retainer	
	J6A0105	1	Housing, Front Light	
14	128003004	3	Washer	
	127004003	3	Locknut	
	J6A0221	2	Sheet	
15	126009013	2	Capscrew	
	128003004	4	Washer	
	65A0568	2	Nut, Retainer	
17	128003004	2	Washer	
	127004003	2	Locknut	
	F7A0719	1	Sheet	
18	128003004	3	Washer	
	127004003	3	Locknut	

Carrier Acoustic Installation

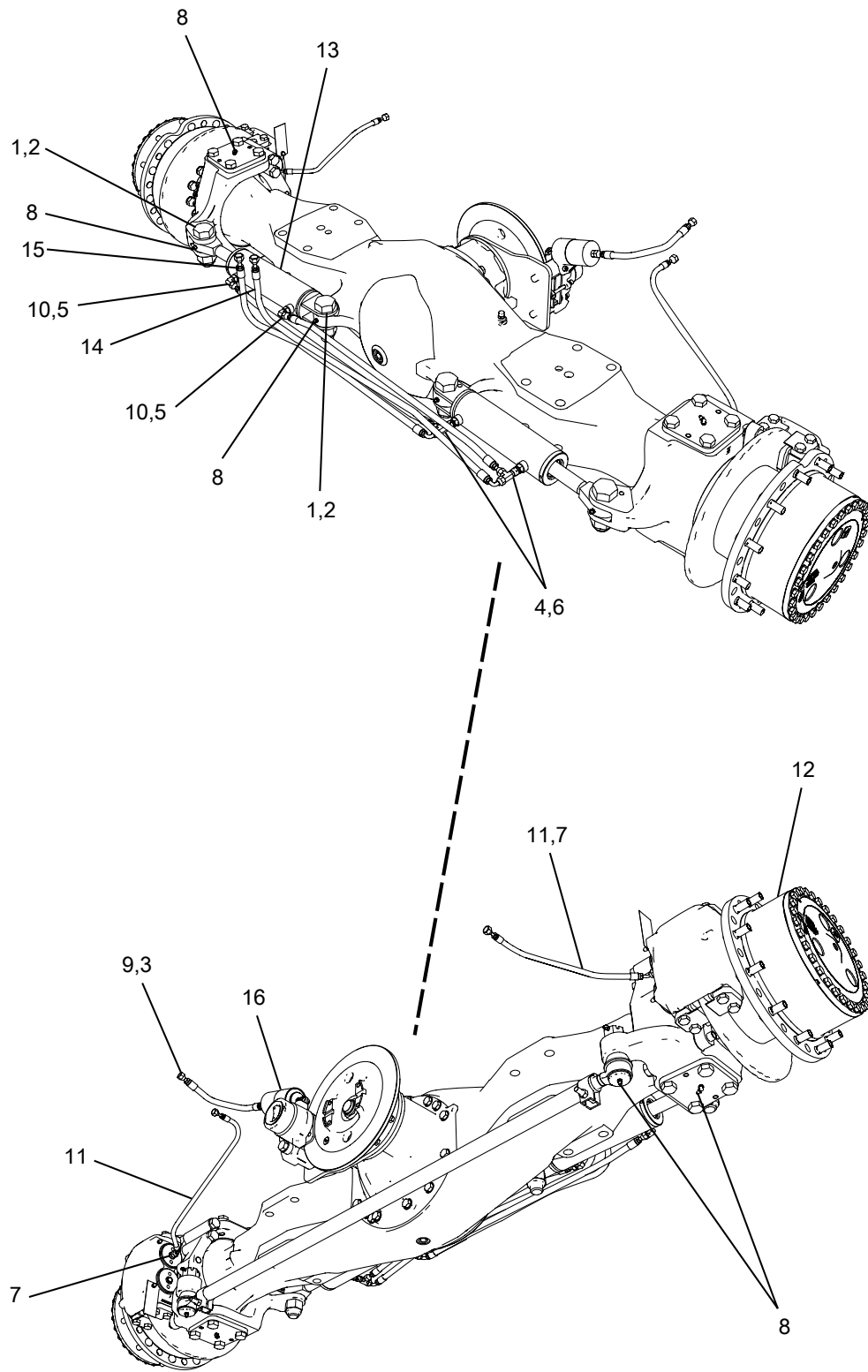


Parts List

0714

Carrier Acoustic Installation				
REF	PART NO.	QTY	DESCRIPTION	REMARKS
	J9A1237	1	Sound Absorb Kit	
1	N4A0815	1	Pad, Sound Absorption	
2	J9A1119	1	Pad, Sound Absorption	
3	J9A1069	1	Pad, Sound Absorption	
4	J9A1116	1	Pad, Sound Absorption	
5	J9A1236	1	Sound Insulation	
6	J9A1115	1	Pad, Sound Absorption	
7	N4A0809	1	Pad, Sound Absorption	
8	J9A1117	1	Pad, Sound Absorption	
9	J9A1118	1	Pad, Sound Absorption	
10	J9A1114	1	Pad, Sound Absorption	
11	N4A0809	1	Pad, Sound Absorption	
12	J9A1115	1	Pad, Sound Absorption	
13	J9A1112	2	Pad, Sound Absorption	
14	J9A1113	1	Pad, Sound Absorption	
15	J9A1112	2	Pad, Sound Absorption	

Front Axle S/A

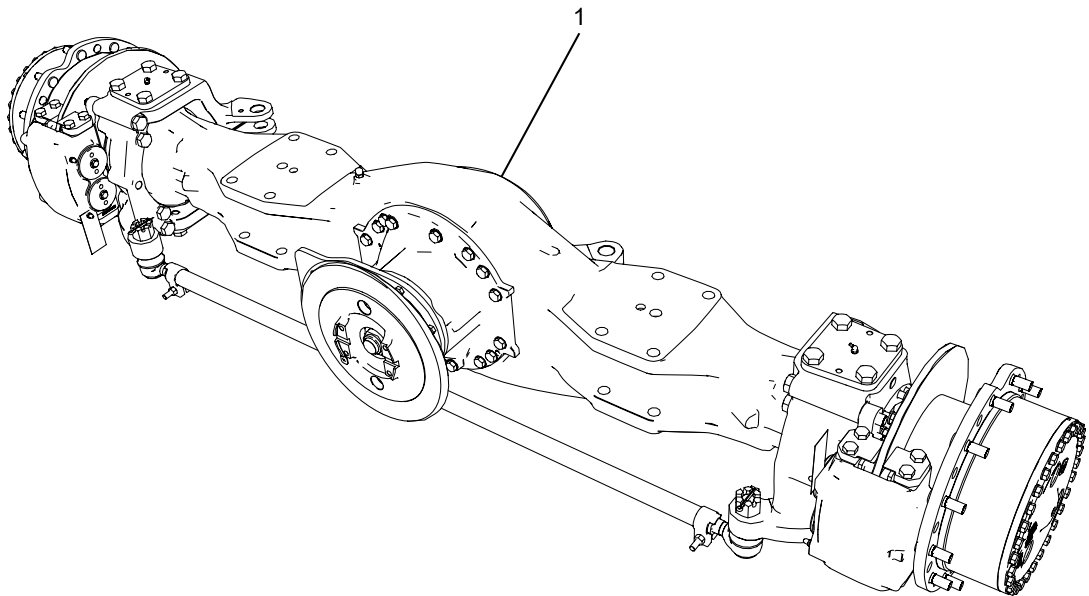


Parts List

1216

Front Axle S/A				
REF	PART NO.	QTY	DESCRIPTION	REMARKS
	J6A0679	1	Front Axle S/A	NSS
1	126009137	4	•Capscrew	
2	127004009	4	•Locknut	
3	1X 7367	1	•Connector	
4	1X 7369	2	•Connector	
5	1X 7386	2	•Elbow	
6	1X 7414	2	•Tee	
7	1X 7464	2	•Connector	
8	1X 8002	10	•Cap	
9	65J0475	1	•Hose Assy	
10	65J0517	2	•Hose Assy	
11	E8J0108	2	•Hose Assy	
12	J6A0678	1	•Front Axle Assy - See 01-002-273.00	
13	J6J0100	2	•Steer Cylinder Assy - See 01-007-040.00	
14	J6J0261	1	•Hose Assy	
15	J6J0262	1	•Hose Assy	
16	J9A1277	1	•Park Brake Assy - See 01-030-028.00	

Front Axle Assy

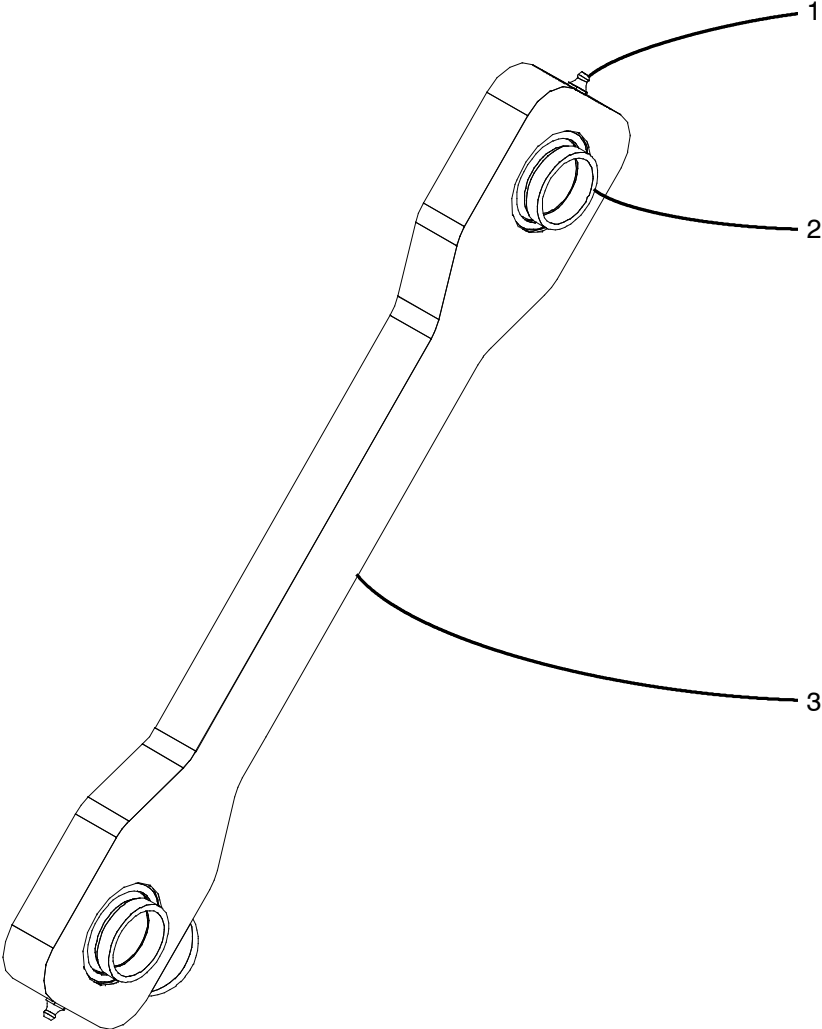


Parts List

0117

Front Axle Assy				
REF	PART NO.	QTY	DESCRIPTION	REMARKS
1	J6A0678 F1	1	Front Axle Assy Note: Parts Breakdown Unavailable At Time Of Publication. Complete Parts Breakdown To Follow With Later Revision.	F1

Suspension Link Assy

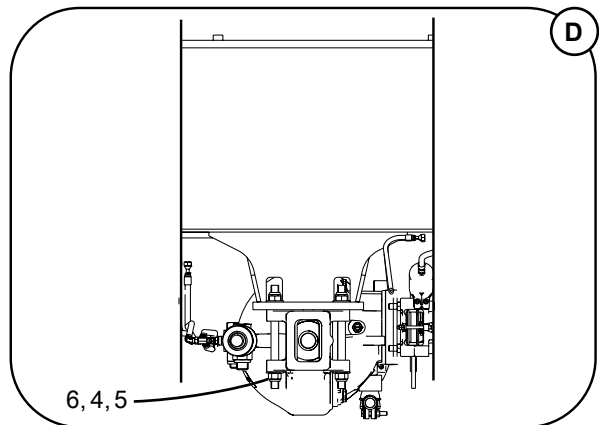
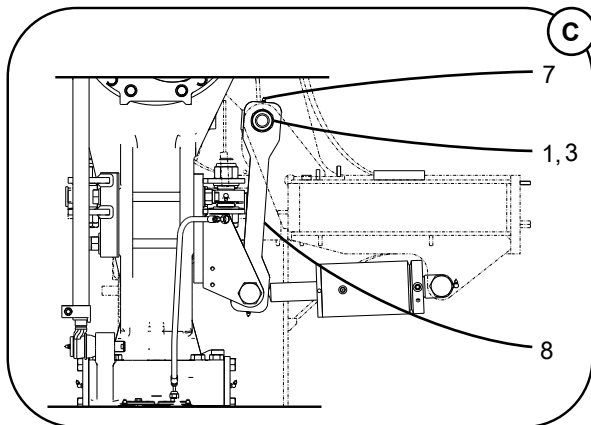
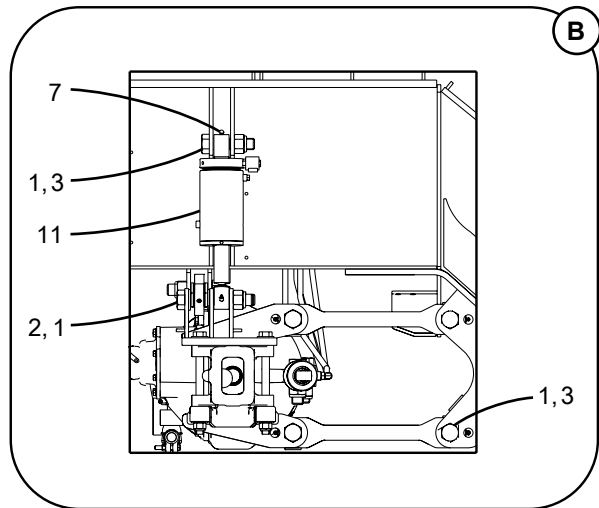
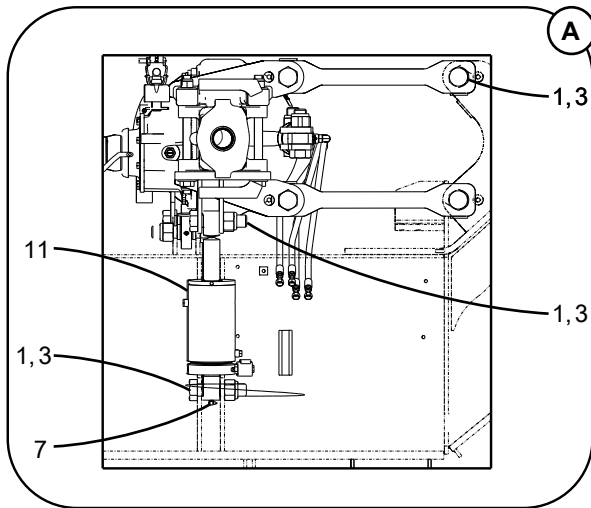
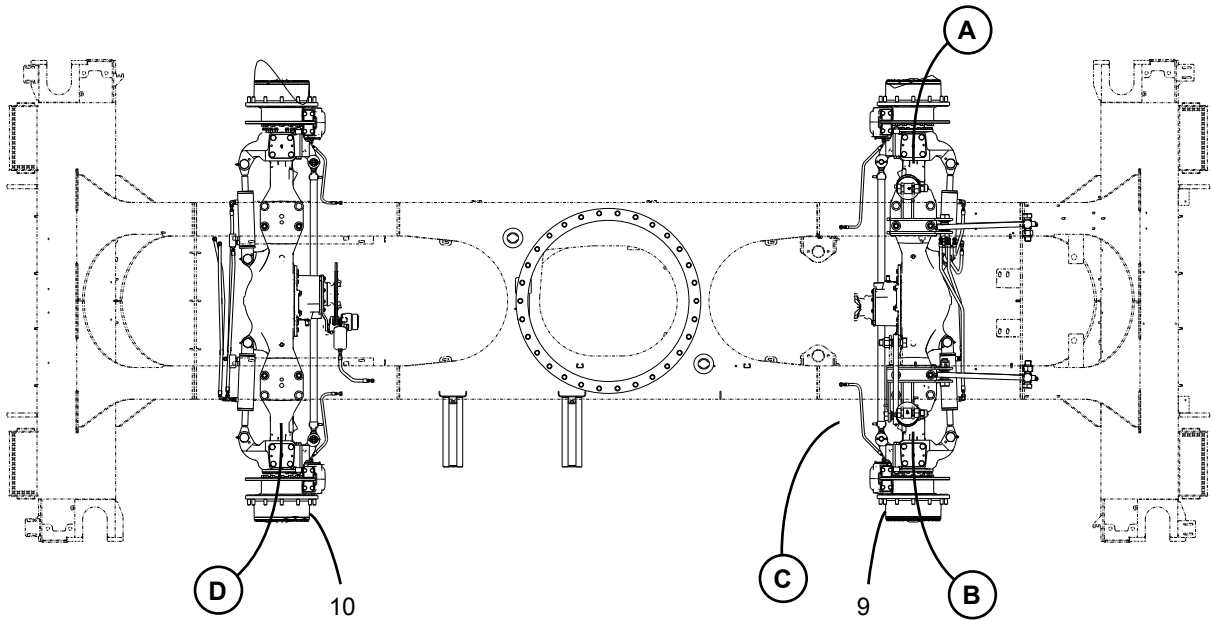


Parts List

0914

Suspension Link Assy				
REF	PART NO.	QTY	DESCRIPTION	REMARKS
1	F7A0786	1	Suspension Link Assy	
1	1X 0812	2	Fitting, Grease	
2	F7A0784	2	Bearing	
3	F7A0417	1	Link	

Front & Rear Axle Installation

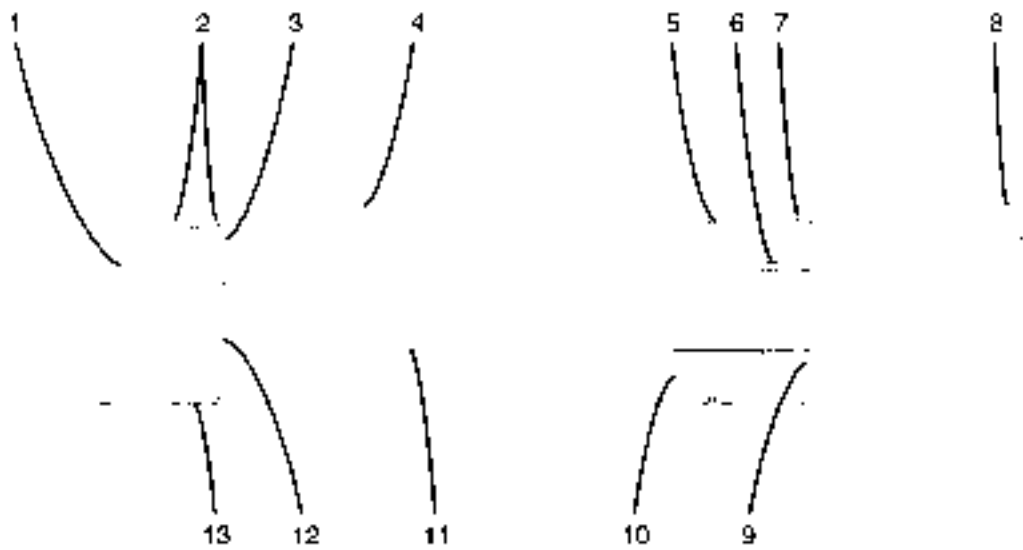


Parts List

1216

Front & Rear Axle Installation				
REF	PART NO.	QTY	DESCRIPTION	REMARKS
1	126009138	8	Capscrew	
2	126009174	1	Capscrew	
3	127004009	9	Locknut	
4	128003012	16	Washer	
5	1X 4927	8	Locknut	
6	1X 6867	8	Capscrew	
7	1X 8002	6	Cap	
8	F7A0786	1	Suspension Link Assy - See 01-004-152.00	
9	J6A0677	1	Rear Axle - See 01-024-371.00	
10	J6A0679	1	Front Axle - See 01-002-272.00	
11	J9J0337	2	Lockout Cylinder Assy - See 01-078-091.00	

Steer Cylinder Assy

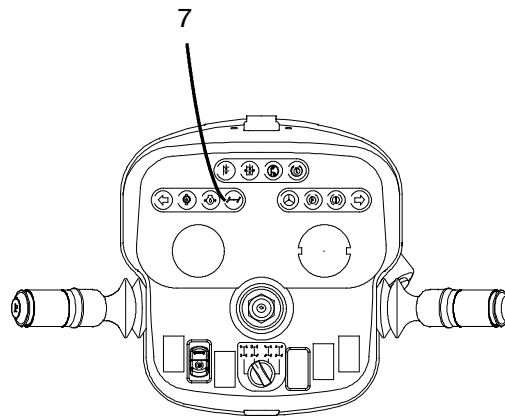
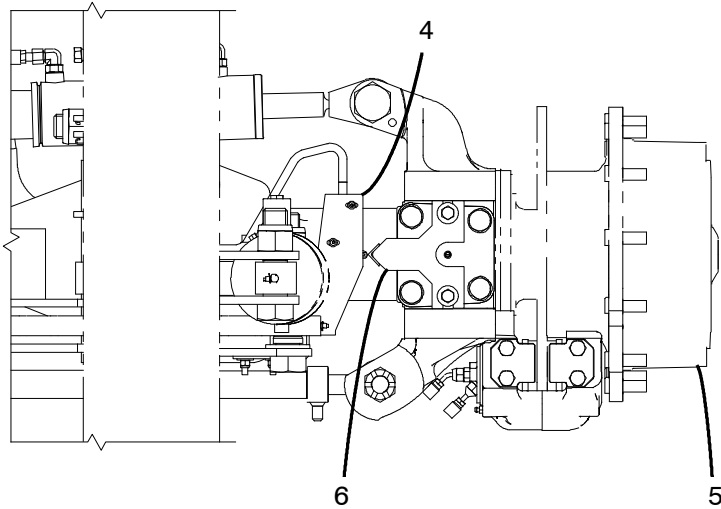
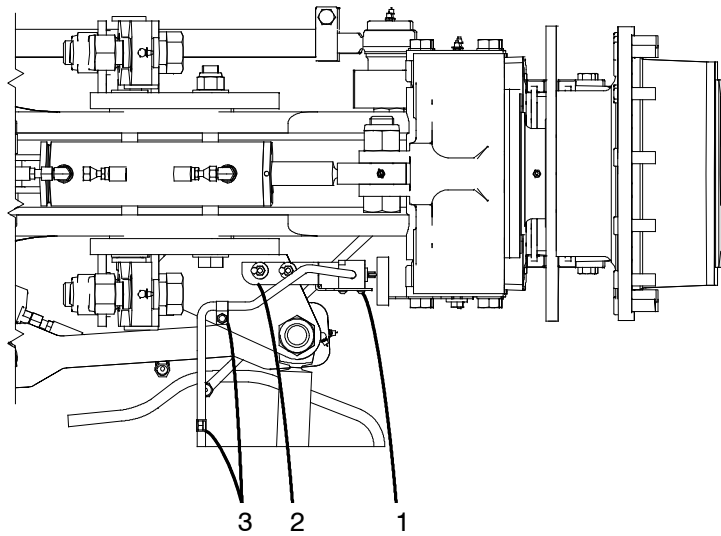


Parts List

0303

Steer Cylinder Assy				
REF	PART NO.	QTY	DESCRIPTION	REMARKS
	J6J0100	1	Steer Cylinder Assy	
1	J6J0108	1	Locknut	
2	J6J0109	2	Ring. Wear	KA
3	J6J0104	1	Piston	
4	J6J0101	1	Case	
5	12A2074	1	O-ring	KA
	28J0467	1	Ring. Back Up	KA
6	F7J0235	1	Seal. Rod	KA
7	1X 8076	1	O-ring	KA
8	1X 0812	1	Fitting. Grease	
9	D6J0305	1	Wiper. Rod	KA
10	J6J0103	1	Head	
11	J6J0106	1	Rod	
12	1X 7519	1	O-ring	KA
13	26J0468	1	Seal. Piston	KA
	D6J0303	1	Seal. Square Ring	KA
	3J 16606	1	Kit. Seal - All Items Marked KA	

Rear Steer Indicator



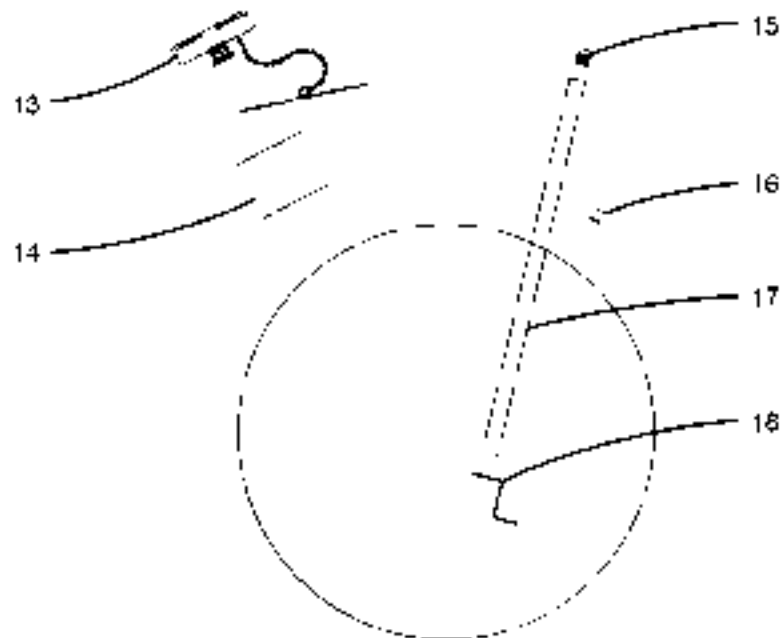
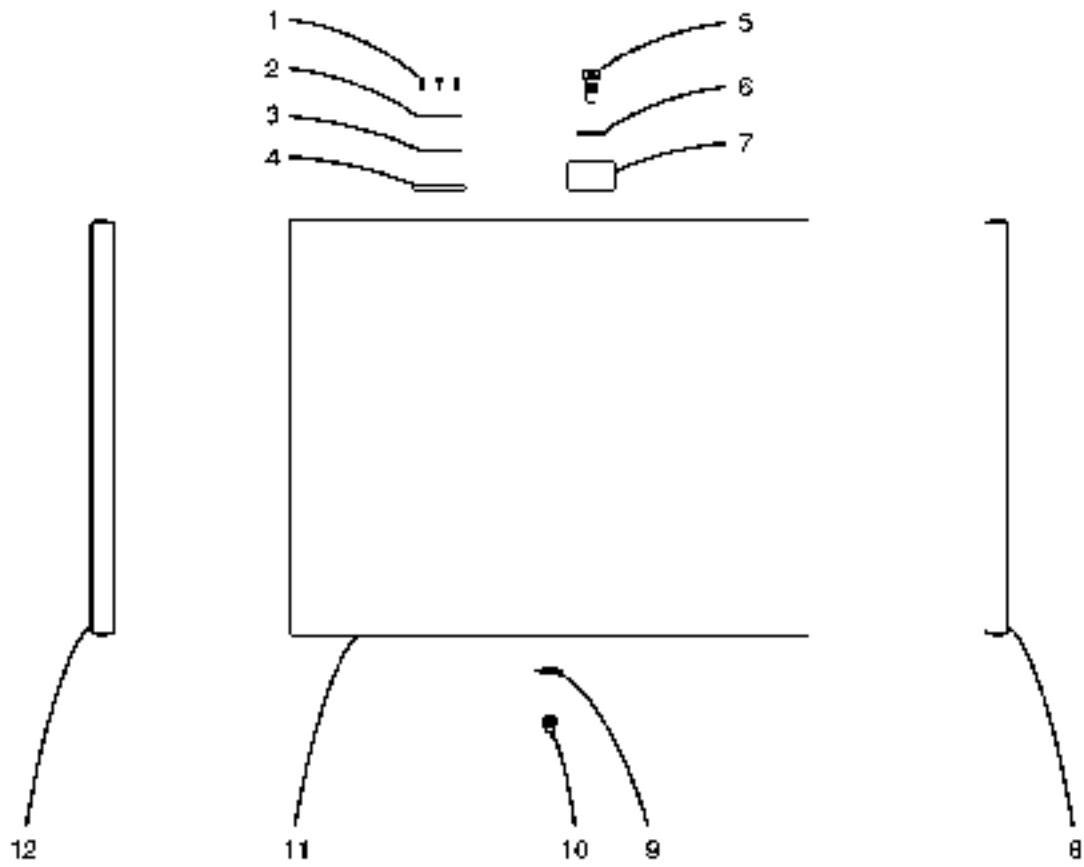
Steering Console

Parts List

1214

Rear Steer Indicator				
REF	PART NO.	QTY	DESCRIPTION	REMARKS
1	69R0092	1	Switch, Limit	
2	128003004	4	Washer	
	127004003	4	Locknut	
3	5Z 0621	2	Clamp	
	127004003	2	Locknut	
4	J6A0514	1	Bracket	
	1X 7307	2	Capscrew	
	1X 1776	2	Washer	
5	REF		Left Rear Wheel & Drive Axle Assy	
6	J6A0636	1	Bracket	
	126009107	2	Capscrew	
	128003006	2	Washer	
7	REF		Rear Wheel Offset Warning Light	

Fuel Tank Assy

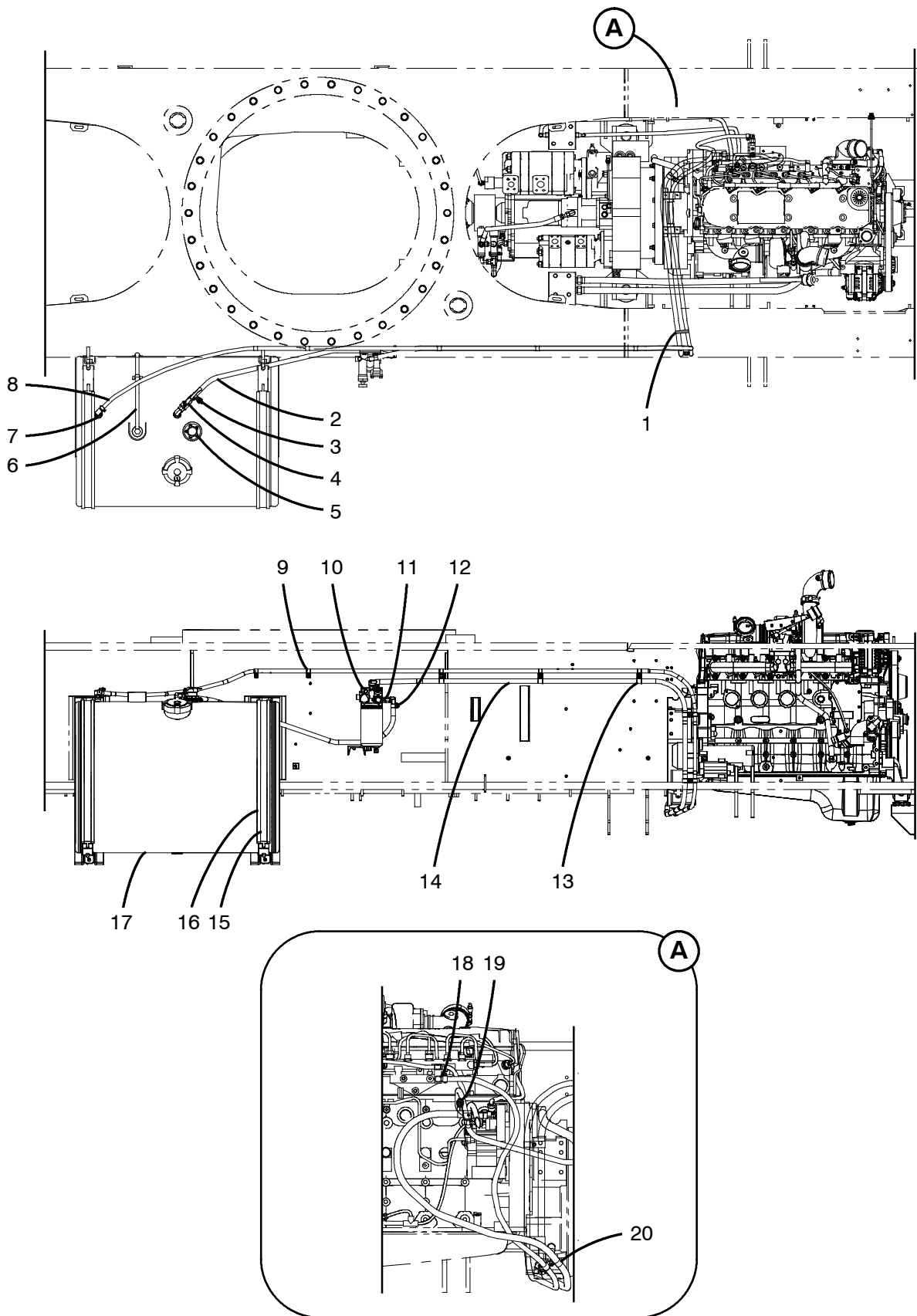


Parts List

0811

Fuel Tank Assy				
REF	PART NO.	QTY	DESCRIPTION	REMARKS
	J9A0472	1	Fuel Tank Assy	
1	3A 24322	5	Screw	
2	3A 24321	1	Cover	
3	3A 24320	1	Gasket	
4	3A 24319	1	Flange	
5	3A 24324	1	Vent	
6	3A 24325	2	Flange	
7	3H 2285	1	Guard, Vent	
8	3A 24318	1	Head	
9	3A 24325	2	Flange	
10	3H 2283	2	Plug	
11	REF	1	Tank, Fuel	NSS
12	3A 24318	1	Head	
13	3A 25534	1	Cap. Fuel - With Safety Release Valve	
	3A 25223	1	Key	
14	3A 24329	1	Neck, Fill	
15	3H 2283	1	Plug	
16	3A 24330	1	Glp. Tube	
17	3H 2284	1	Tube, Draw	
18	3A 24326	1	Glp. Tube	

Fuel Tank Installation

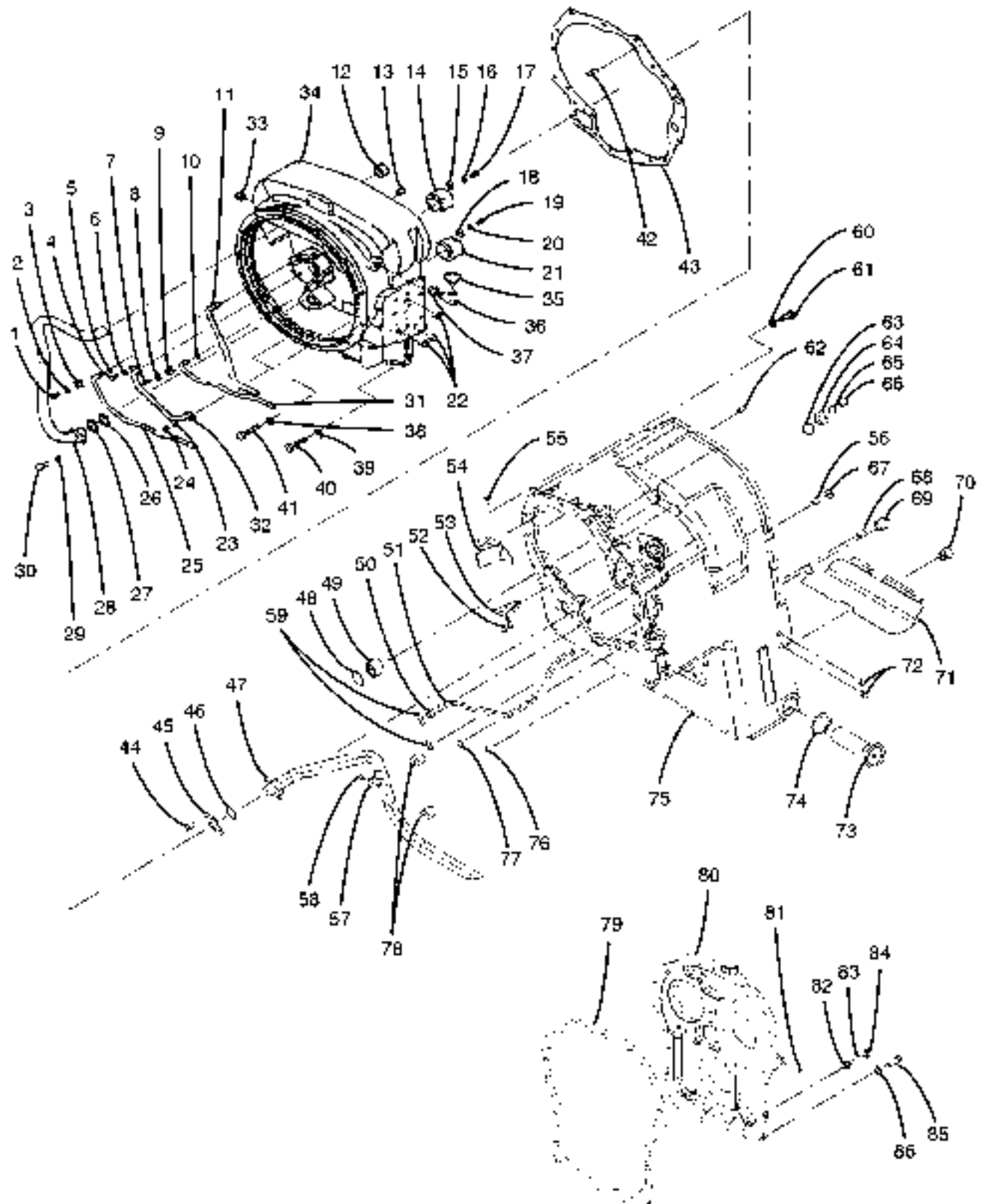


Parts List

0614

Fuel Tank Installation				
REF	PART NO.	QTY	DESCRIPTION	REMARKS
1	71J0005	10	Tie, Cable	
2	822017006	1	Hose - 3.56'	
3	112017001	1	Clamp	
4	204159002	1	Barb, Hose	
	53A0155	1	Valve, Fuel Shutoff	
	1X 7665	1	Elbow	
5	S2H0100	1	Unit, Fuel Sending	
6	822013003	1	Hose - 2.50'	
7	1X 6703	1	Barb, Hose	
	1X 2743	1	Bushing, Pipe	
8	822017005	1	Hose - 15.74'	
	1X 5056	1	Clamp	
9	1X 6511	7	Clamp - 0.62" Dia	
	127004003	7	Locknut	
10	126009013	2	Capscrew	
11	1X 8459	2	Adaptor, Metric	
	1X 8460	2	Barb, Hose	
12	112017001	2	Clamp	
13	1X 5487	5	Clamp - 0.75" Dia	
14	822017006	1	Hose - 12.68'	
	112017001	2	Clamp	
15	J9A0203	2	Strap, Fuel Tank	
16	J9A0207	2	Insulator - 40" Lg	
17	REF	1	Fuel Tank Assy - See Keysheet 01 - 012	
	J9A0211	2	Insulator - 24" Lg	
18	1X 8393	1	Adaptor	
	1X 6727	1	Barb, Hose	
	1X 5056	1	Clamp	
19	112017001	1	Clamp	
20	1X 5487	1	Clamp - 0.75" Dia	
	1X 6511	1	Clamp - 0.62" Dia	
	126005023	1	Capscrew	

Main Transmission Assy

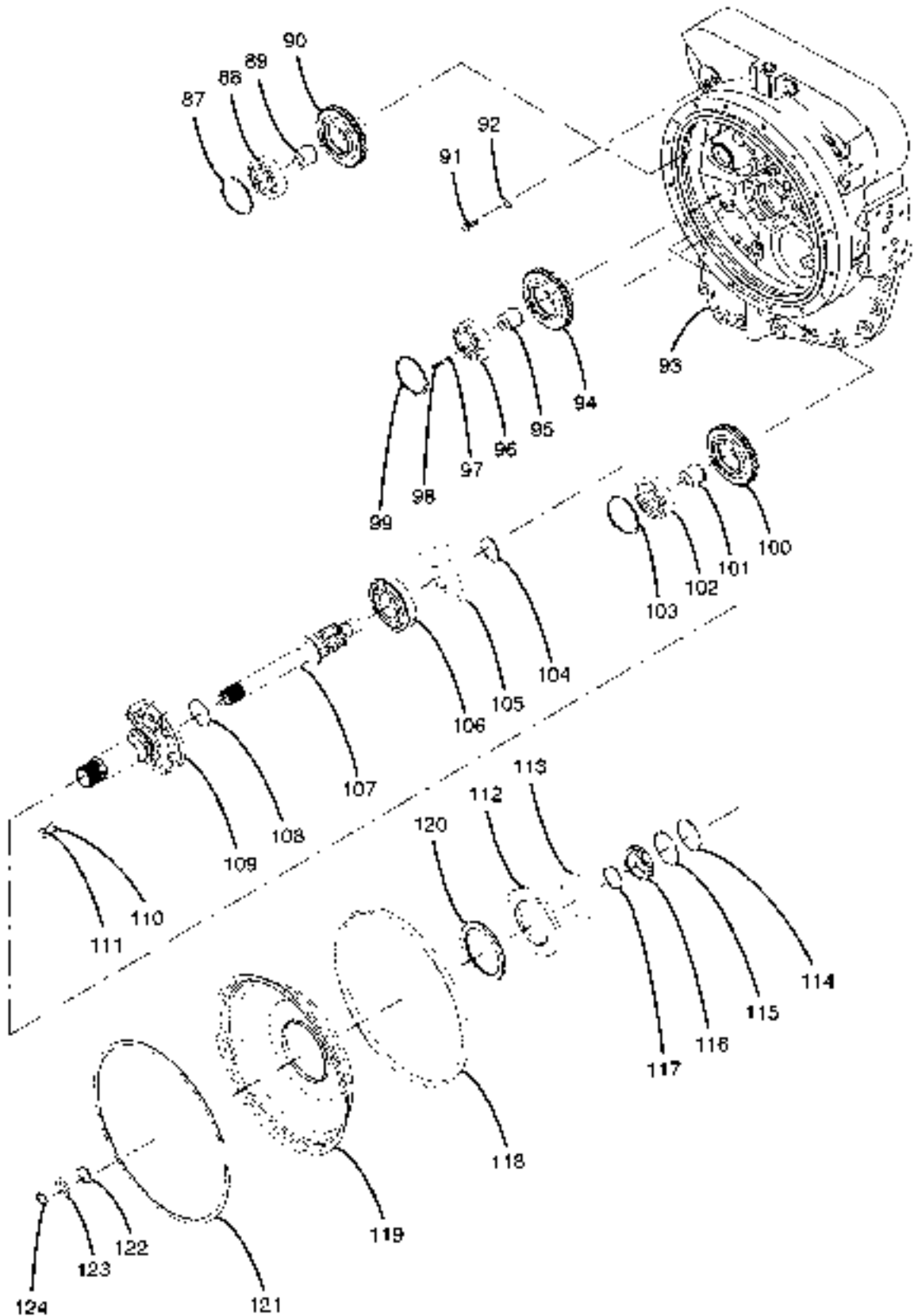


Parts List

0913

Main Transmission Assy				
REF	PART NO.	QTY	DESCRIPTION	REMARKS
	N4A0461	1	Main Transmission Assy	
	3A 24455	1	Converter Housing & Tube Assy	
1	1X 3818	1	Capscrew	
2	3A 23424	1	Lockwasher	
3	3A 7816	1	Clip	
4	1X 3818	1	Capscrew	
5	3A 7814	1	O-ring	
6	3A 23424	1	Lockwasher	
7	1X 3818	1	Capscrew	
8	3A 23424	1	Lockwasher	
9	3A 7816	1	Clip	
10	3A 7814	1	O-ring	
11	3A 7813	1	Tube - Valve Oil Supply	
12	3A 7804	1	Sleeve	
13	3A 7805	1	Sleeve	
14	3A 9371	1	Sleeve	
15	3A 7807	1	Lock	
16	3A 23424	1	Lockwasher	
17	1X 3818	1	Capscrew	
18	3A 7807	1	Lock	
19	1X 3818	1	Capscrew	
20	3A 23424	1	Lockwasher	
21	3A 9371	1	Sleeve	
22	3A 7805	3	Sleeve	
23	3A 23424	1	Lockwasher	
24	1X 3818	1	Capscrew	
25	3A 7818	1	Tube - Reverse	
26	3A 7819	1	O-ring	
27	3A 7803	1	Ring, Spacer	
28	3A 7802	1	Tube - Suction	
29	1X 0028	1	Lockwasher	
30	1X 6479	1	Capscrew	
31	3A 7815	1	Tube - 3rd Speed	
32	3A 7817	1	Tube - Lube	
33	3A 1448	1	Plug	
34	REF	1	Housing, Converter	NSS
35	3A 7808	1	Breather	
36	3A 24456	1	Elbow	
37	3A 24457	1	Bushing	
38	1X 0029	4	Lockwasher	
39	1X 0029	4	Lockwasher	
40	3A 7811	4	Capscrew	
41	3A 7812	4	Capscrew	
42	3A 7824	2	Pin, Dowel	
43	3A 7823	1	Gasket	
	3A 26677	1	Transmission Case & Tube Assy	
44	3A 26679	2	Capscrew	
45	3A 7843	1	Retainer	
46	3A 23320	1	O-ring	
47	3A 7838	1	Tube - Suction	
48	3A 26680	1	Ring, Snap	
49	3A 26681	1	Bearing	
50	3A 7805	1	Sleeve	
51	3A 7825	1	Tube - Low Speed Clutch Pressure	

Main Transmission Assy

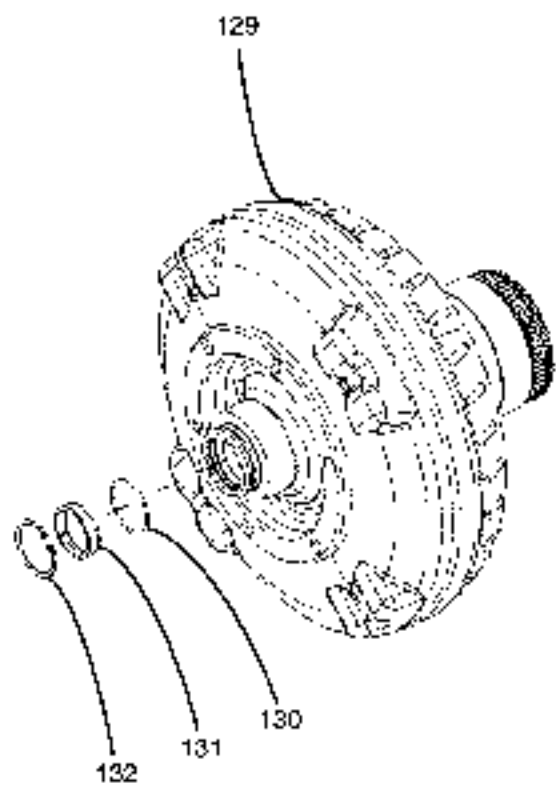
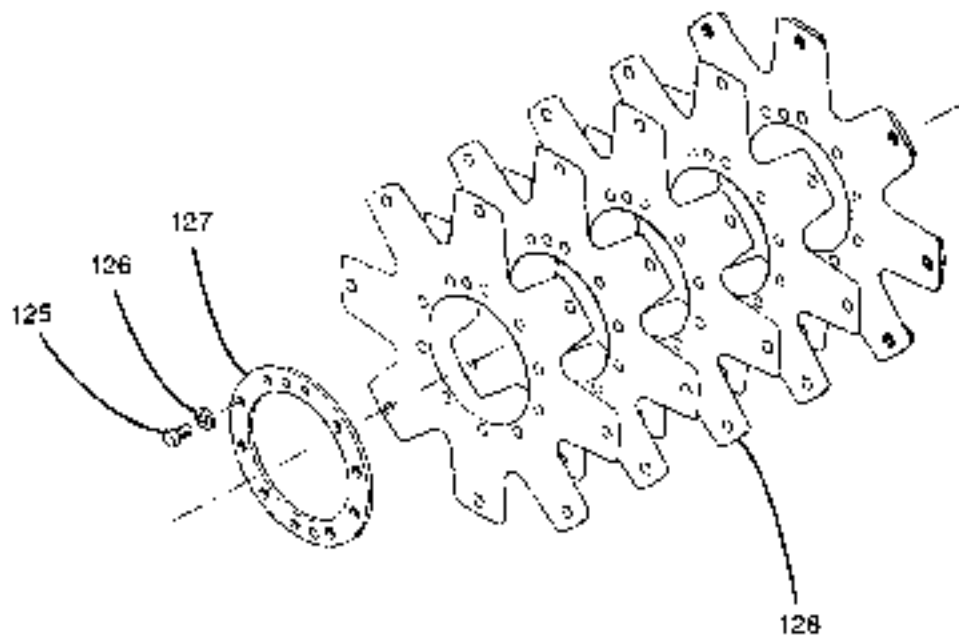


Parts List

0913

Main Transmission Assy				
REF	PART NO.	QTY	DESCRIPTION	REMARKS
52	3A 23252	2	Rivet	
53	3A 23254	1	Baffle, Oil	
54	3A 23253	1	Baffle, Oil	
55	3A 23252	2	Rivet	
56	3A 7805	1	Sleeve	
57	3A 23249	1	Clip	
58	3A 23252	1	Rivet	
59	3A 7747	2	O-ring	
60	1X 0029	10	Lockwasher	
61	3A 9377	10	Capscrew	
62	3A 7827	1	Pin, Dowel	
63	3A 23256	1	Shim - AR	
64	3A 23255	1	Bushing	
65	3A 23258	1	O-ring	
66	3A 23257	1	Plug	
67	3A 7747	1	O-ring	
68	3A 7827	1	Pin, Dowel	
69	3A 7841	1	Plug	
70	3A 7834	1	Plug, Magnetic Drain	
71	3A 7893	1	Baffle, Oil	
72	3A 25454	2	Plug	
73	3A 7837	1	Screen	
74	3A 7836	1	Gasket	
75	REF	1	Case	NSS
76	3A 25455	1	Plug	
77	3A 7845	1	Plug	
78	3A 7841	2	Plug	
79	3A 7828	1	Gasket	
80	3A 23222	1	Cover, Rear	
81	3W 0118	1	Plug	
82	1X 0029	2	Lockwasher	
83	3A 7892	2	Stud	
84	3A 1704	2	Nut	
85	3A 9377	21	Capscrew	
86	1X 0029	21	Lockwasher	
87	3A 25472	1	Ring, Snap	
88	3A 7737	1	Bearing	
89	3A 7738	1	Support, Bearing	
90	3A 7739	1	Gear	
91	3W 0143	4	Capscrew	
92	1X 0029	4	Lockwasher	
93	REF		Converter Housing	
94	3A 25473	1	Gear	
95	3A 25474	1	Support, Idler	
96	3A 25475	1	Bearing	
97	1X 0029	2	Lockwasher	
98	3W 0143	2	Capscrew	
99	3A 25476	1	Ring, Snap	
100	3A 7734	1	Gear	
101	3A 7738	1	Support, Bearing	
102	3A 7737	1	Bearing	
103	3A 25472	1	Ring, Snap	
104	3A 7759	1	Ring, Snap	
105	3A 23243	1	Gear	

Main Transmission Assy

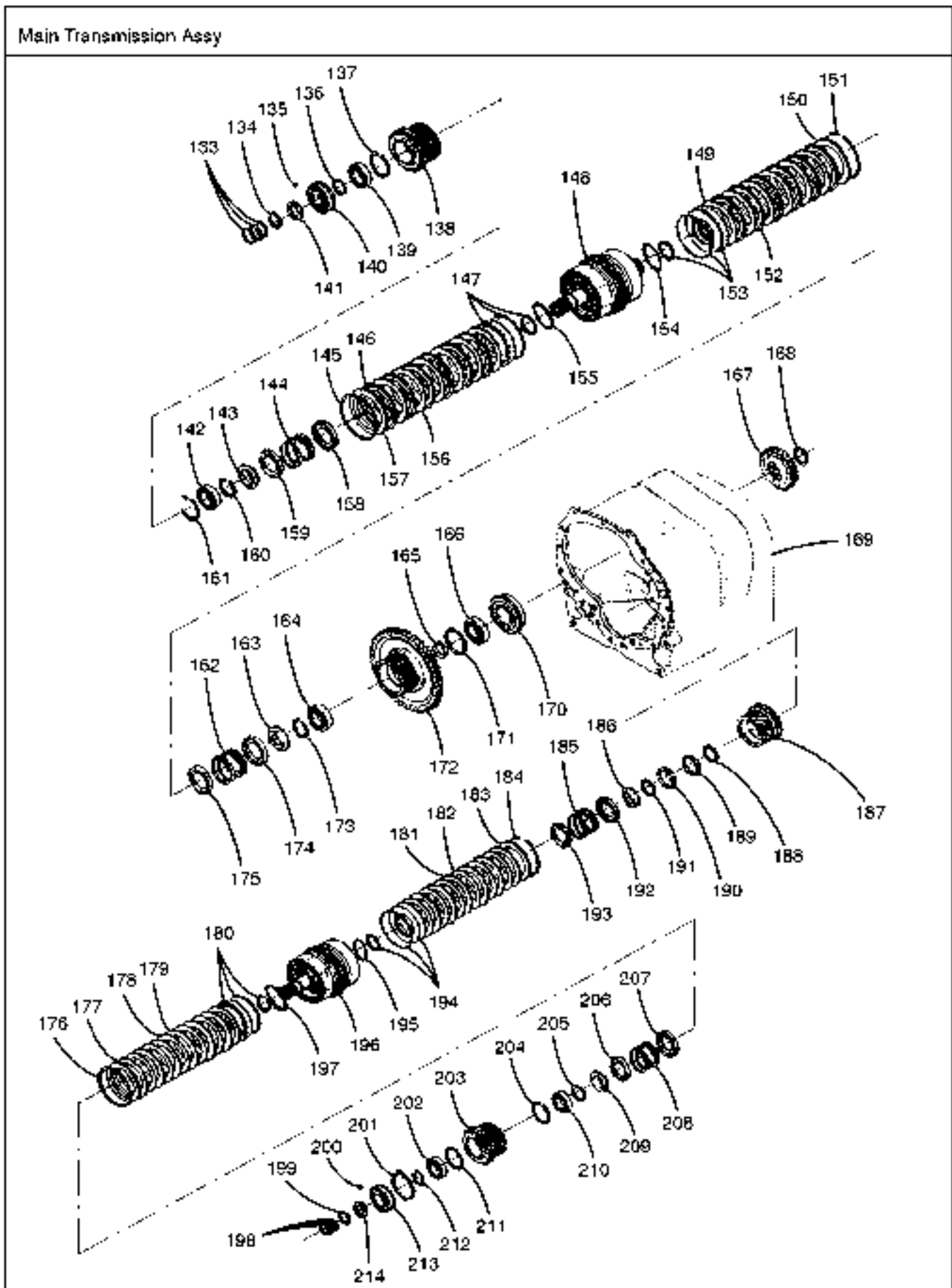


Parts List

0913

Main Transmission Assy				
REF	PART NO.	QTY	DESCRIPTION	REMARKS
106	3A 25470	1	Bearing	
107	3A 26690	1	Shaft, Turbine	
108	3A 26691	1	Ring, Piston	
109	3A 26692	1	Support, Stator	
110	1X 0030	6	Lockwasher	
111	3A 26693	8	Cap screw	
112	3A 7748	1	Gear	
113	3A 7749	1	Ring, Snap	
114	3A 26695	1	Spring	
115	3A 17565	1	Ring, Piston	
116	3A 17574	1	Bearing	
117	3A 26697	1	Ring, Snap	
118	3A 7768	1	Ring, Seal	
119	3A 17571	1	Oil Bottle Assy	
120	3A 22039	1	Seal, Oil	
121	3A 7766	1	Ring, Retaining	
122	3W 0826	1	Ring, Snap	
123	3A 26696	1	Spacer	
124	3A 26698	1	Ring, Snap	
	3A 26688	1	Kit, Drive Plate	
125	3A 26689	8	Cap screw	
126	1X 0028	6	Lockwasher	
127	3A 16926	1	Ring, Backing	
128	REF	4	Plate, Drive	NSS
129	3A 26699	1	Converter, Torque	
	3A 26700	1	Kit, Torque Converter Plug	
130	3A 26703	1	O-ring	
131	3A 26701	1	Plug	
132	3A 26702	1	Ring, Snap	
133	3A 24904	3	Ring, Piston	
134	3A 7847	1	Ring, Retainer	
135	3A 26706	1	Ball	
136	3A 7847	1	Ring, Retainer	
137	3A 7850	1	Ring, Snap	
138	3A 23280	1	Gear, Clutch Driven	
139	3A 7849	1	Bearing	
140	3A 23326	1	Bearing	
141	3A 23324	1	Plate, End	
142	3A 7853	1	Bearing	
143	3A 10355	1	Retainer, Spring	
144	3A 7858	1	Spring, Piston Return	
145	3A 7934	1	Ring, Retainer	
146	3A 23328	6	Disc, Inner	
147	3A 27242	1	Reverse Clutch Piston Assy	
148	3A 24447	1	Drum, Reverse & 3rd Clutch	
149	3A 7937	7	Drive, Clutch	
150	3A 23327	1	Plate, End	
151	3A 7934	1	Ring, Retainer	
152	3A 23328	7	Disc, Inner	
153	3A 27242	1	3rd Clutch Piston Assy	

Main Transmission Assy

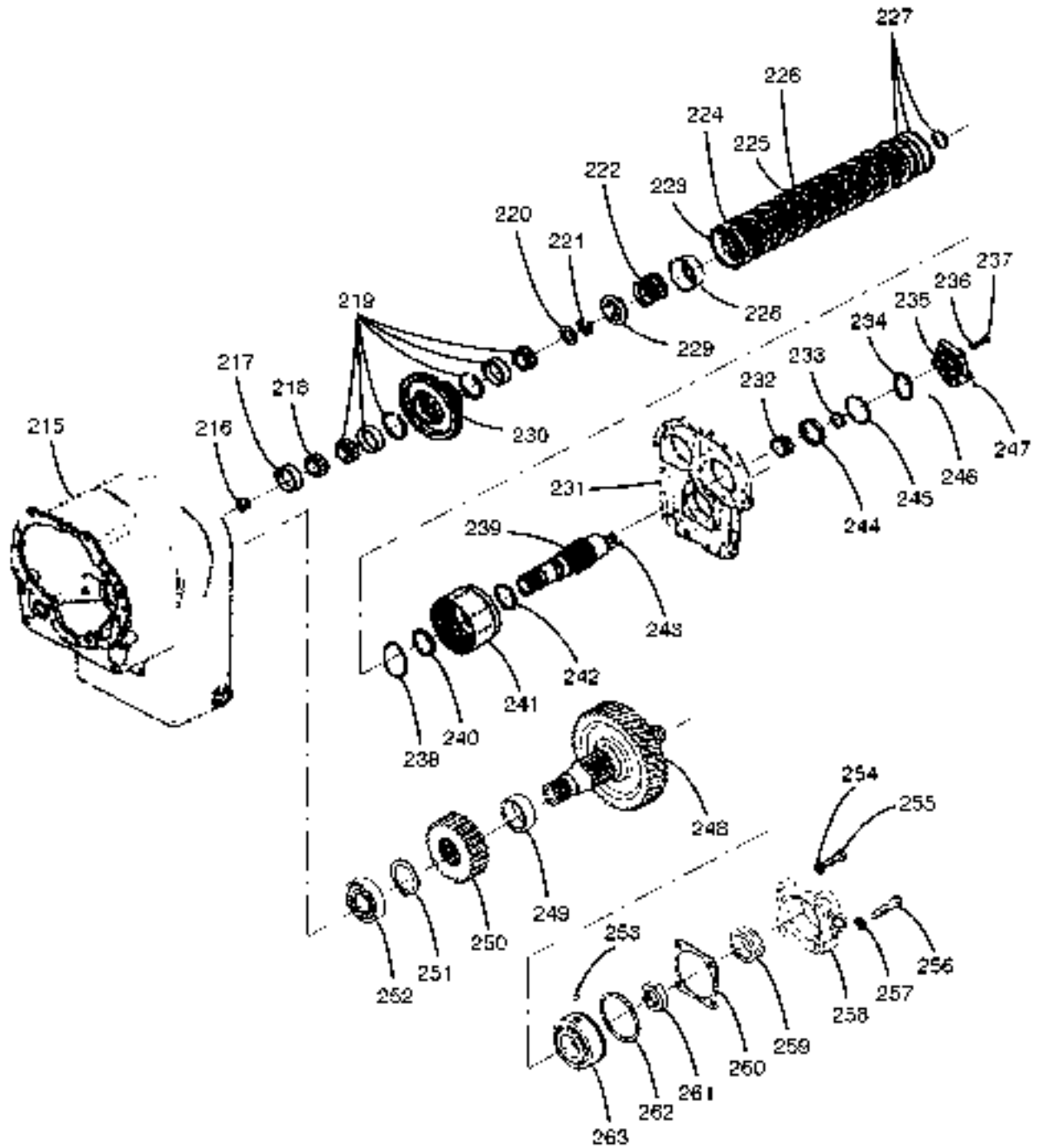


Parts List

0913

Main Transmission Assy				
REF	PART NO.	QTY	DESCRIPTION	REMARKS
154	3A 24446	1	Seal, Metering	
155	3A 24446	1	Seal, Metering	
156	3A 7937	6	Disc, Outer	
157	3A 7995	1	Plate, End	
158	3A 7857	1	Retainer, Spring	
159	3A 7855	1	Retainer, Spring	
160	3A 10356	1	Ring, Snap	
161	3A 7850	1	Ring, Snap	
162	3A 7856	1	Spring	
163	3A 10355	1	Retainer	
164	3A 7858	1	Bearing	
165	3A 7861	1	Spacer	
166	3A 7862	1	Bearing	
167	3A 23315	1	Gear, Low Clutch Drive	
168	3A 7874	1	Ring, Retaining	
169	REF		Case	
170	3A 23333	1	Bearing	
171	3A 7859	1	Ring, Snap	
172	3A 7860	1	Gear	
173	3A 10956	1	Ring, Snap	
174	3A 7855	1	Retainer, Spring	
175	3A 7857	1	Retainer, Spring	
176	3A 7934	1	Ring, Retainer	
177	3A 7995	1	Plate, End	
178	3A 23328	6	Disc, Inner	
179	3A 7937	6	Disc, Outer	
180	3A 27242	1	Forward Clutch Piston Assy	
181	3A 23328	7	Disc, Inner	
182	3A 7937	7	Disc, Outer	
183	3A 23327	1	Plate, End	
184	3A 7934	1	Ring, Retainer	
185	3A 7856	1	Spring	
186	3A 10355	1	Retainer, Spring	
187	3A 7868	1	Gear	
188	3A 10356	1	Ring, Retainer	
189	3A 23335	1	Retainer	
190	3A 9142	1	Ring, Snap	
191	3A 10356	1	Ring, Snap	
192	3A 7855	1	Retainer, Spring	
193	3A 7857	1	Retainer, Spring	
194	3A 27242	1	2nd Clutch Piston Assy	
195	3A 24446	1	Seal, Metering	
196	3A 24449	1	Forward & 2nd Shaft, Hub, Drum & Plug Assy	
197	3A 24446	1	Seal, Metering	
198	3A 24904	3	Ring, Piston	
199	3A 7847	1	Ring, Retainer	
200	3A 23325	1	Ball	

Main Transmission Assy

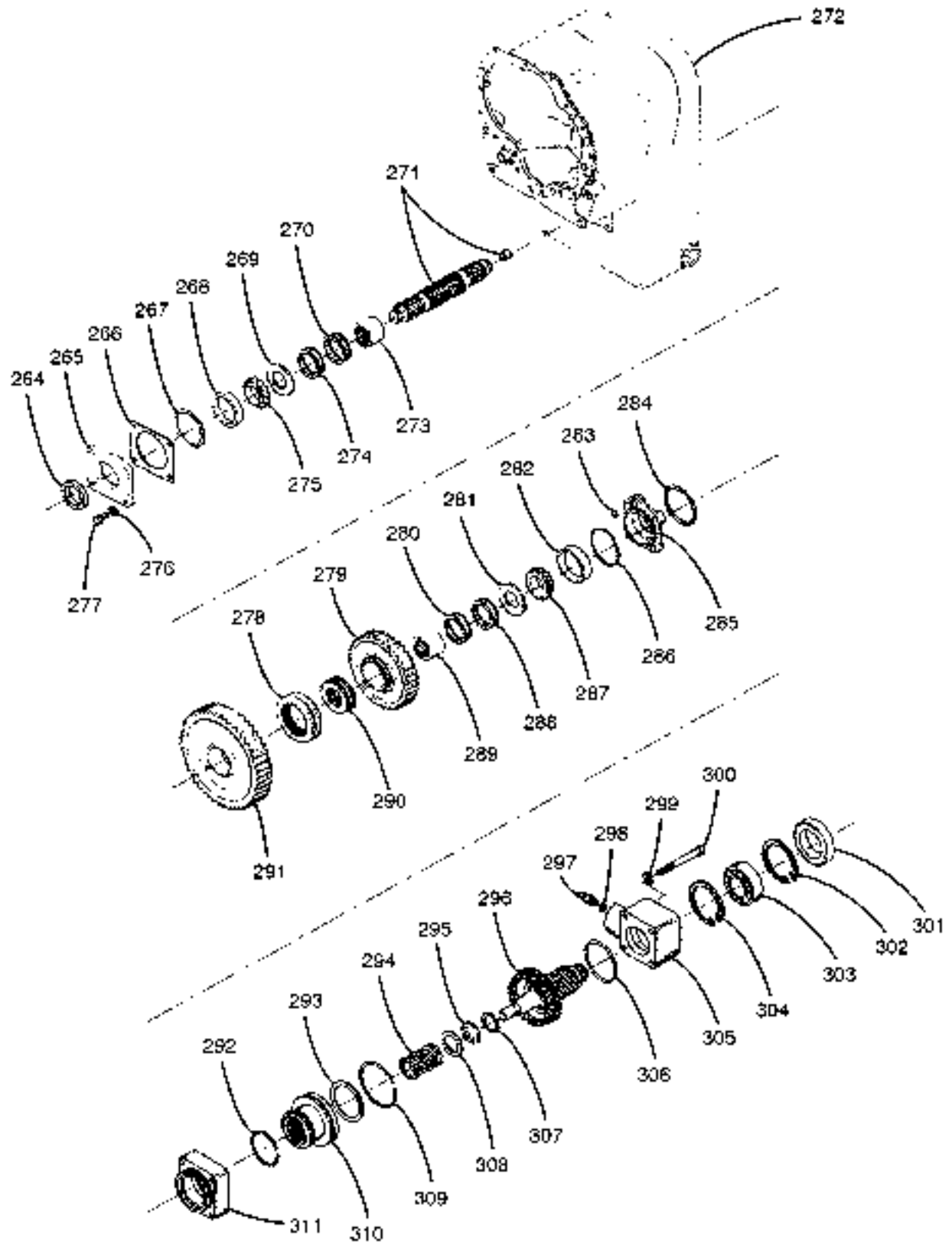


Parts List

0913

Main Transmission Assy				
REF	PART NO.	QTY	DESCRIPTION	REMARKS
201	3A 7865	1	Ring, Locating	
202	3A 7849	1	Bearing	
203	3A 23260	1	Gear, Forward Clutch Driven	
204	3A 7850	1	Ring, Snap	
205	3A 10356	1	Ring, Snap	
206	3A 7855	1	Retainer, Spring	
207	3A 7857	1	Retainer, Spring	
208	3A 7856	1	Spring	
209	3A 10355	1	Retainer	
210	3A 7853	1	Bearing	
211	3A 7850	1	Ring, Snap	
212	3A 7847	1	Ring, Retainer	
213	3A 23326	1	Bearing	
214	3A 23324	1	Plate, End	
215	REF		Case	
216	3A 7867	1	Bearing, Pilot	
217	3A 23344	1	Cup, Bearing	
218	3A 23343	1	Cone, Bearing	
219	3A 23341	1	Low Speed Gear Bearing Assy	
220	3A 23939	1	Retainer	
	3A 23340	1	Washer, Bearing Spacer	
221	3A 7759	1	Ring, Retaining	
222	3A 23337	1	Spring, Wave	
223	3A 7934	1	Ring, Retainer	
224	3A 7935	1	Plate, End	
225	3A 7943	9	Disc, Inner	
226	3A 7937	9	Disc, Outer	
227	3A 27242	1	Clutch Piston Assy	
228	3A 13428	1	Retainer, Spring	
229	3A 23338	1	Retainer, Spring	
230	3A 23342	1	Gear, Low Speed	
231	REF		Rear Cover	
232	3A 17031	1	Cone, Bearing	
233	3A 22091	1	Ring, Piston	
234	3A 23353	1	Shim - 0.004 - AR	
	3A 23354	1	Shim - 0.007 - AR	
	3A 23355	1	Shim - 0.010 - AR	
	3A 23356	1	Shim - 0.020 - AR	
235	3A 23351	1	Cap. Bearing	
236	1X 0028	5	Lockwasher	
237	3A 7880	5	Capscrew	
238	3A 24446	1	Seal, Metering	
	3A 24451	1	Low Shaft & Drum Assy	
239	3A 23346	1	Shaft	
240	3A 4478	1	Ring, Retaining	
241	3A 24450	1	Low Clutch Hub & Drum Assy	
242	3A 23347	1	O-ring	
243	3A 23348	1	Plug	
244	3A 17029	1	Cup, Bearing	
245	3A 23350	1	O-ring	
246	3A 23352	1	O-ring	
247	3W 0118	1	Plug	

Main Transmission Assy

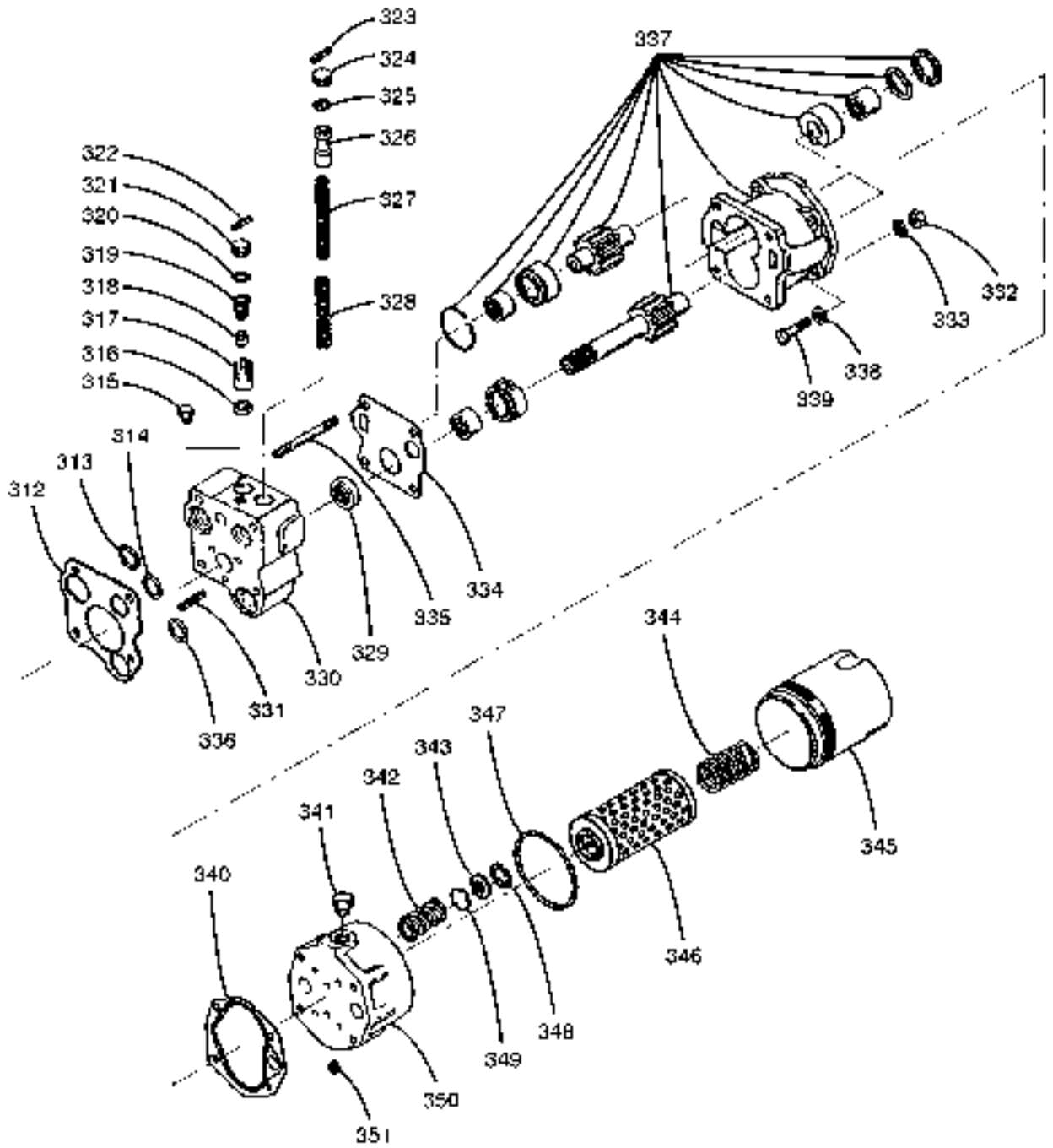


Parts List

0913

Main Transmission Assy				
REF	PART NO.	QTY	DESCRIPTION	REMARKS
248	3A 23362	1	Gear	
249	3A 23361	1	Spacer	
250	3A 23360	1	Gear, Idler Shaft Low Range	
251	3A 23359	1	Ring, Retaining	
252	3A 23357	1	Bearing	
	3A 23358	1	Spacer	
	3A 10356	1	Ring, Retaining	
253	3A 7882	1	Ball	
254	1X 2995	2	Lockwasher	
255	3A 17791	2	Capscrew	
256	3A 17791	2	Capscrew	
257	1X 2995	2	Lockwasher	
258	3A 25479	1	Cap. Bearing	
259	3A 23316	1	Spacer	
260	3A 17829	1	Gasket	
261	3A 7886	1	Nut	
262	3A 7884	1	Ring, Locating	
263	3A 23363	1	Bearing	
264	3A 7931	1	Seal, Oil	
265	3A 9379	1	Cap. Bearing	
266	3A 7914	1	Shim 0.004 AR	
	3A 7915	1	Shim - 0.007 - AR	
	3A 7916	1	Shim - 0.010 - AR	
	3A 7917	1	Shim - 0.020 - AR	
267	3A 7918	1	O-ring	
268	3A 17028	1	Cup, Bearing	
269	3A 7906	1	Washer, Thrust	
270	3A 7907	1	Bearing	
271	3A 23486	1	Output Shaft & Bushing Assy	
	3A 23487	1	Bushing	
272	REF		Case	
273	3A 7908	1	Race, Bearing	
274	3A 7907	1	Bearing	
275	3A 17523	1	Cone, Bearing	
276	1X 2995	4	Lockwasher	
277	3A 9378	4	Capscrew	
278	3A 7920	1	Hub, High/Low Shift	
279	3A 23367	1	Gear, High Range	
280	3A 7907	1	Bearing	
281	3A 7906	1	Washer, Thrust	
282	3A 17029	1	Cup, Bearing	
283	3A 7927	2	O-ring	
284	3A 7918	1	O-ring	
285	3A 23488	1	Adaptor	
286	3A 7926	1	O-ring	
287	3A 17031	1	Cone, Bearing	
288	3A 7907	1	Bearing	
289	3A 7906	1	Race, Inner	
290	3A 7921	1	Sleeve	
291	3A 7919	1	Gear, Low Range	
292	3A 23490	1	Ring, Piston	
293	3A 23492	1	Expander	
294	3A 23494	1	Spring	
295	3A 10355	1	Retainer	

Main Transmission Assy

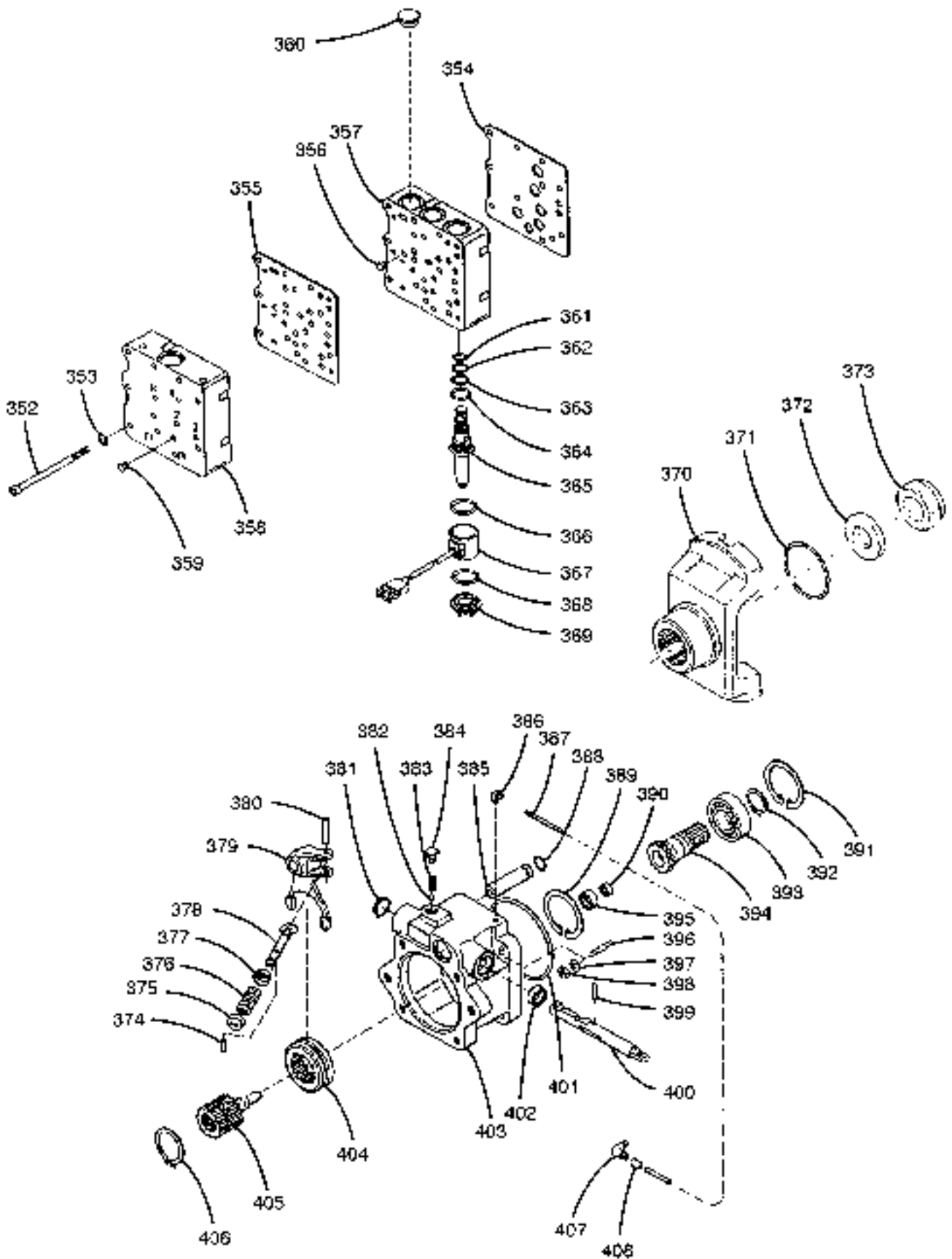


Parts List

0913

Main Transmission Assy				
REF	PART NO.	QTY	DESCRIPTION	REMARKS
296	3A 23496	1	Shaft, Disconnect	
297	3A 17563	1	Plug	
298	3A 18979	1	O-ring	
299	1X 2995	4	Lockwasher	
300	3A 9368	4	Cap screw	
301	3A 7913	1	Seal, Oil	
302	3A 7975	1	Ring, Retainer	
303	3A 7782	1	Bearing	
304	3A 7975	1	Ring, Retainer	
305	3A 23496	1	Housing, Disconnect	
306	3A 23497	1	O-ring	
307	3A 10956	1	Ring, Snap	
308	3A 23495	1	Washer, Thrust	
309	3A 23493	1	Ring, Piston	
310	3A 23491	1	Piston	
311	3A 23489	1	Cap, Bearing	
312	3W 0145	1	Gasket	
313	3A 7745	1	O-ring	
314	3A 7747	1	O-ring	
	3A 27240	1	Pressure Regulator Valve Assy	
315	3A 7835	1	Plug	
316	3A 7976	1	Seat	
317	3A 7977	1	Spacer	
318	3A 7978	1	Plunger	
319	3A 27241	1	Spring, Helical	
320	3W 0025	1	O-ring	
321	3A 7980	1	Stop, Valve	
322	3A 7950	1	Pin, Roll	
323	3A 7950	1	Pin, Roll	
324	3A 7983	1	Stop, Valve	
325	3A 9119	1	O-ring	
326	3A 24466	1	Piston	
327	3A 7985	1	Spring - Inner	
328	3A 7986	1	Spring - Outer	
329	3A 7993	1	Seal, Oil	
330	REF	1	Body, Valve	NSS
331	3A 7995	3	Pin, Roll	
332	3A 24468	4	Nut	
333	1X 0029	4	Lockwasher	
334	3A 7988	1	Gasket	
335	3A 7987	4	Stud	
336	3A 7746	1	O-ring	
337	3A 25481	1	Charging Pump Assy	
338	3A 24469	4	Lockwasher	
339	3A 24470	4	Screw	
340	3A 7996	1	Gasket	
341	3W 0724	1	Plug	
342	3W 0025	1	Spring	
343	3W 0031	1	Seal, Disc	
344	3W 0035	1	Spring	
345	3W 0036	1	Housing	
346	3A 25482	1	Element, Filter	
347	3W 0034	1	O-ring	
348	3W 0032	1	Ring, Retainer	

Main Transmission Assy

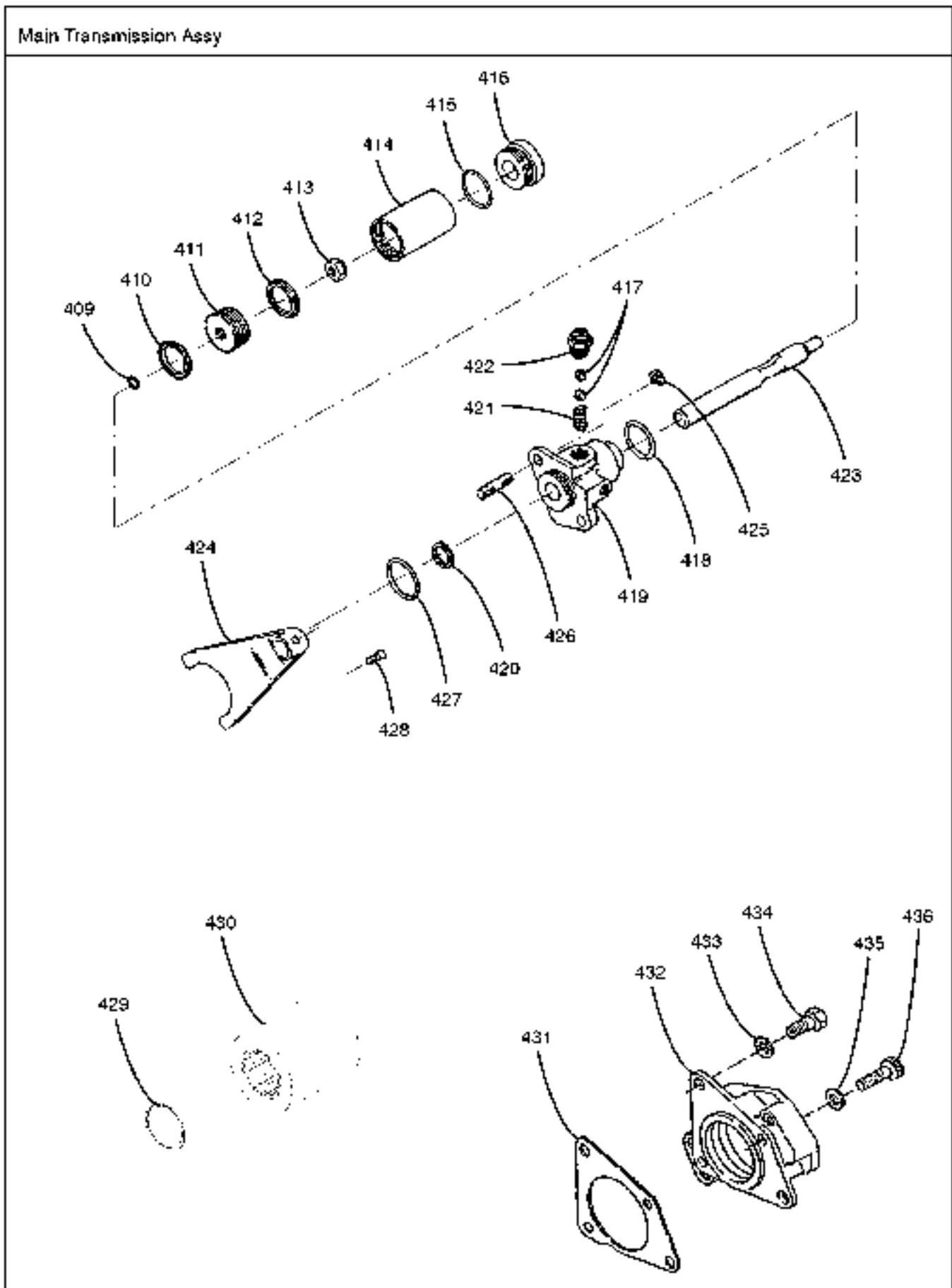


Parts List

0913

Main Transmission Assy				
REF	PART NO.	QTY	DESCRIPTION	REMARKS
349	3W 0030	1	Disc	
350	3A 24471	1	Adaptor, Filler	
351	3W 0724	1	Plug	
352	3A 23987	7	Capscrew	
353	1X 0028	7	Lockwasher	
354	3A 23374	1	Gasket	
	3A 23375	1	Control Valve Housing Assy	
355	3A 23385	1	Gasket	
356	3A 23390	1	Plug	
357	REF	1	Housing, Valve	NSS
358	3A 23387	2	Capscrew	
	1X 0028	2	Lockwasher	
	3A 23388	1	Cover	
359	3A 24475	6	Plug	
360	3A 17535	1	Plug	
	3A 16824	1	O-ring	
	3A 26740	4	Solenoid Cartridge Assy	
361	3A 17803	1	O-ring	
362	3A 23376	1	O-ring	
363	3A 23377	1	O-ring	
364	3A 23378	1	O-ring	
365	REF	1	Cartridge	NSS
366	3A 23380	1	O-ring	
367	REF	1	Coil, Solenoid	NSS
368	3A 23382	1	O-ring	
369	REF	1	Nut	NSS
370	3A 25071	1	Flange, Output	
371	3A 25485	1	O-ring	
372	3A 7910	1	Washer	
373	3A 7909	1	Nut	
374	3A 9177	1	Pin, Roll	
375	3A 15183	1	Retainer, Spring	
376	3A 7947	1	Spring	
377	3A 15183	1	Retainer, Spring	
378	3A 7948	1	Link, Actuating	
379	3A 7949	1	Fork, Shift	
380	3A 7950	1	Pin, Roll	
381	3A 7897	1	Seal, Oil	
382	3A 7900	1	Ball	
383	3A 15184	1	Spring	
384	3A 23241	1	Plug	
385	3A 7955	1	Rail	
386	3A 11351	1	Elbow	
387	3A 25518	1	Tube Assy	
388	3A 9119	1	O-ring	
389	3A 7957	1	Ring, Snap	
390	3A 7961	1	Bearing	
391	3A 7957	1	Ring, Snap	
392	3A 7960	1	Ring, Snap	
393	3A 7959	1	Bearing	
394	3A 7958	1	Shaft	
395	3A 7962	1	Bearing	
396	3A 9186	4	Stud	

Main Transmission Assy

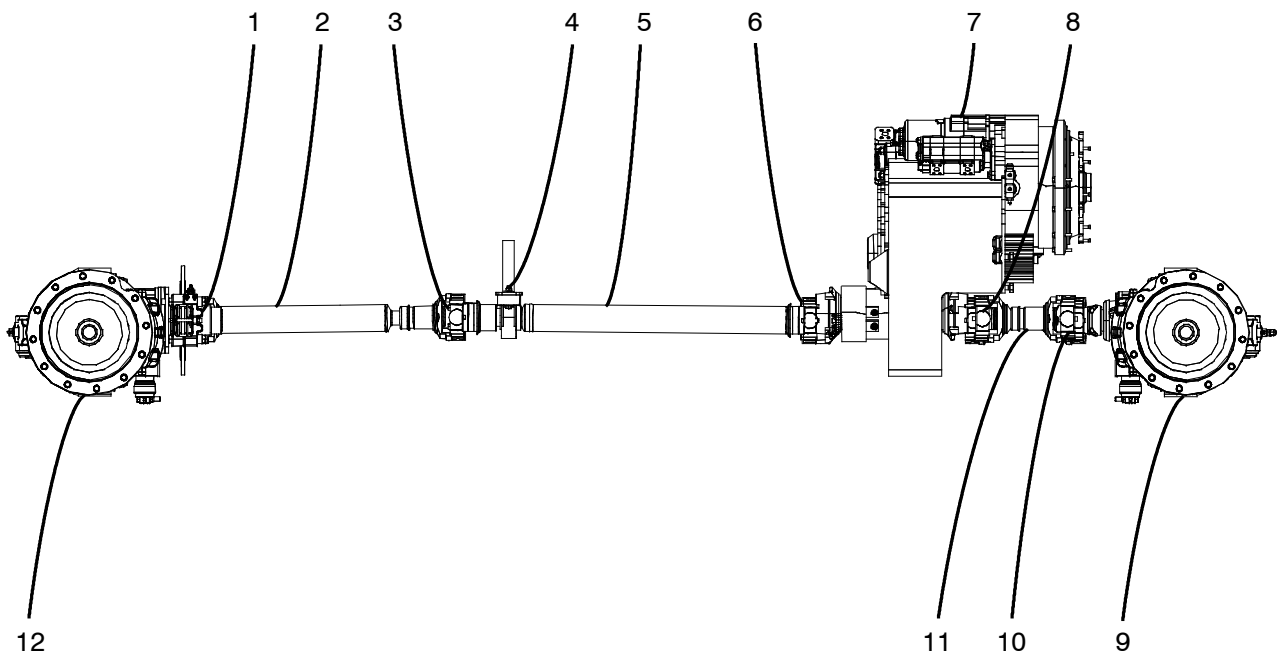


Parts List

0913

Main Transmission Assy				
REF	PART NO.	QTY	DESCRIPTION	REMARKS
397	1X 0030	4	Lockwasher	
398	3A 9187	4	Nut	
399	3A 25520	1	Pin, Roll	
400	3A 21843	1	Rail, Shift	
401	3A 10017	1	O ring	
402	3A 7897	1	Seal, Oil	
403	3A 7964	1	Housing, Pump Disconnect	
404	3A 7985	1	Hub	
405	3A 7966	1	Shaft	
406	3A 7967	1	Ring, Snap	
407	3A 11351	1	Elbow	
408	3A 25519	1	Bushing, Reducer	
409	3W 0134	1	Seal	
410	3A 12106	1	Seal, Piston	
411	3A 23500	1	Piston	
412	3A 12106	1	Seal, Piston	
413	3A 12108	1	Nut	
414	3A 16300	1	Tube	
415	3A 22121	1	O-ring	
416	3A 16298	1	Cap, End	
417	3A 7900	2	Ball, Detent	
418	3A 12102	1	O-ring	
419	3A 23501	1	Body	
420	3A 12104	1	Seal, Rod	
421	3A 7899	1	Ball, Detent	
422	3A 8002	1	Switch, Neutral	
423	3A 23502	1	Rail, Shift	
424	3A 7929	1	Fork, Shift	
425	1X 0028	2	Lockwasher	
426	3A 7880	2	Screw	
427	3A 9147	1	O-ring	
428	3A 7930	1	Lockscrew	
429	3A 7743	1	Ring, Snap	
430	3A 25484	1	Sleeve	
431	3W 0021	1	Gasket	
432	3W 0022	1	Adaptor, Pump	
433	1X 0029	2	Lockwasher	
434	3W 0023	2	Screw	
435	1X 0028	2	Lockwasher	
436	3W 0024	2	Screw	
	3A 23255	1	Bushing - Not Shown - Converter Housing Group	
	3A 23256	1	Shim - AR - Not Shown - Converter Housing Group	
	3A 11353	1	Plug - Not Shown - Converter Housing Group	
	3A 7956	1	O-ring - Not Shown - Output Shaft Group	
	3A 25480	1	Plug - Not Shown - Output Shaft Group	
	3W 0070	1	Plug - Not Shown - Output Shaft Group	
	3A 25454	2	Plug - Not Shown - Airshift Cylinder Group	
	3W 0118	1	Plug - Not Shown - Control Valve Assy	
	3A 24794	1	Tee - Not Shown	

Drive Train

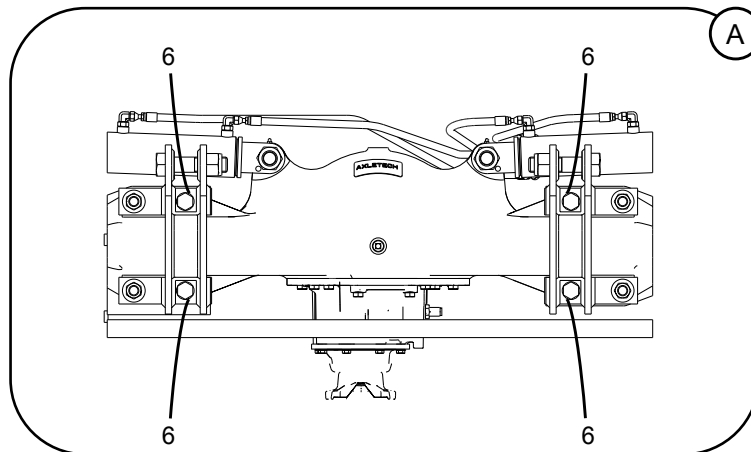
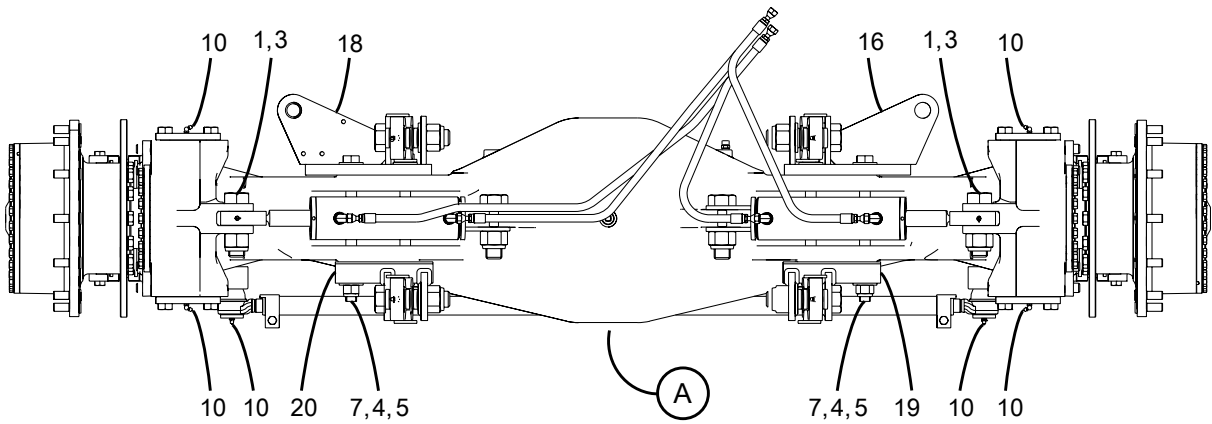
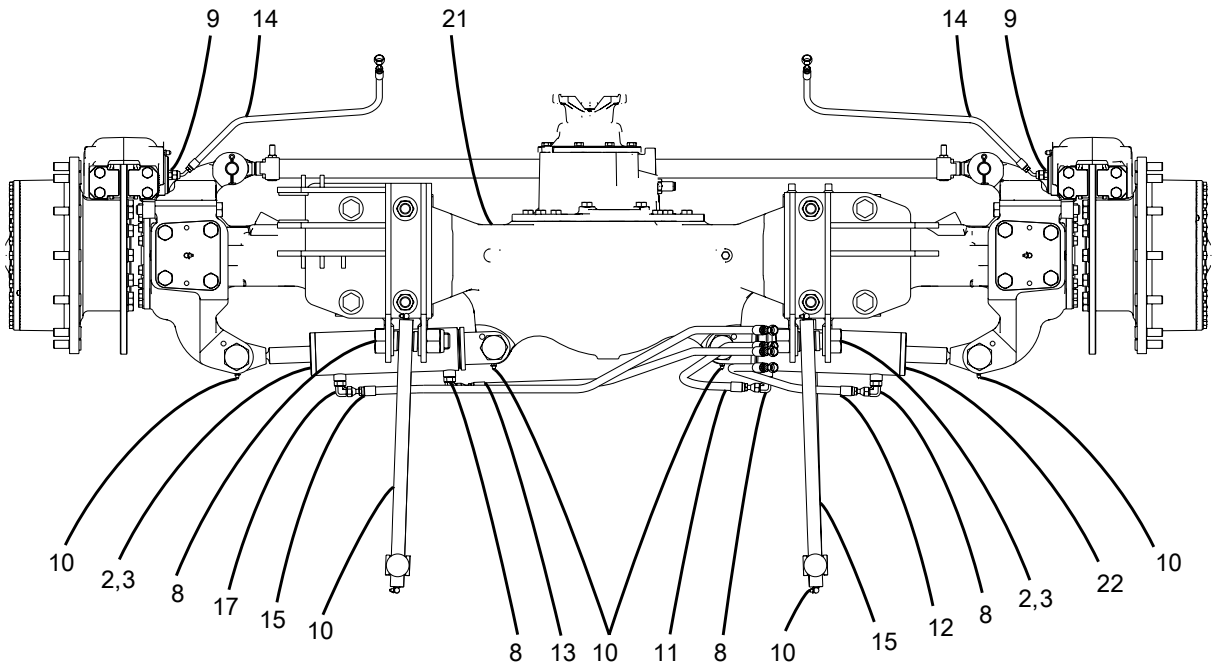


Parts List

0614

Drive Train				
REF	PART NO.	QTY	DESCRIPTION	REMARKS
1	18A2582	4	Capscrew	
2	J6A0463	1	Tube, Drive	
	3A 24900	1	Kit, Cross & Bearing	
3	126004082	4	Capscrew	
4	126009034	2	Capscrew	
	128003007	4	Washer	
	127004005	2	Locknut	
5	J6A0462	1	Tube, Drive	
	3A 24900	1	Kit, Cross & Bearing	
6	1X 8274	4	Capscrew	
7	REF		Transmission	
8	1X 8274	4	Capscrew	
9	REF		Rear Axle	
10	1X 8274	4	Capscrew	
11	J9A0112	1	Tube, Drive	
	3A 24788	1	Kit, Cross & Bearing	
12	REF		Front Axle	

Rear Axle S/A

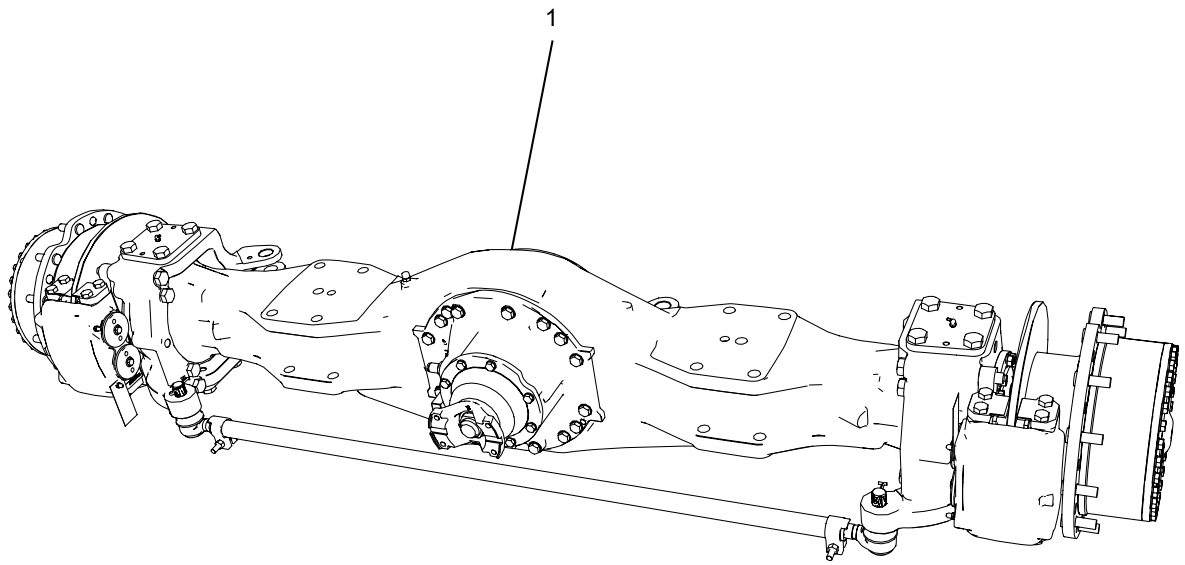


Parts List

1216

Rear Axle S/A				
REF	PART NO.	QTY	DESCRIPTION	REMARKS
	J6A0677	1	Rear Axle S/A	NSS
1	126009137	4	•Capscrew	
2	126009138	4	•Capscrew	
3	127004009	8	•Locknut	
4	128003012	12	•Washer	
5	1X 4927	8	•Locknut	
6	1X 5190	4	•Washer	
7	1X 6912	8	•Capscrew	
8	1X 7386	4	•Elbow	
9	1X 7464	2	•Connector	
10	1X 8002	18	•Cap	
11	65J0446	1	•Hose Assy	
12	65J0477	1	•Hose Assy	
13	65J0517	1	•Hose Assy	
14	E8J0108	2	•Hose Assy	
15	F7A0785	4	•Suspension Link Assy	
	F7A0416	1	••Link	
	F7A0784	2	••Bearing	
	1X 1800	2	••Fitting Grease	
16	F7A0841	1	•Bracket	
17	F7J0219	1	•Hose Assy	
18	J6A0390	1	•Bracket	
19	J6A0525	1	•Bracket	
20	J6A0526	1	•Bracket	
21	J6A0676	1	•Rear Axle Assy - See 01-024-391.00	
22	J6J0100	2	•Steer Cylinder Assy - See 01-007-040.00	

Rear Axle Assy



Parts List

0117

Rear Axle Assy				
REF	PART NO.	QTY	DESCRIPTION	REMARKS
1	J6A0676 F1	1	Rear Axle Assy Note: Parts Breakdown Unavailable At Time Of Publication. Complete Parts Breakdown To Follow With Later Revision.	F1

Park Brake Assy



Parts List

0715

Park Brake Assy				
REF	PART NO.	QTY	DESCRIPTION	REMARKS
	J9A0456	1	Park Brake Assy	F1
	J9A1277	1	Park Brake Assy	F2
1	3A 25233	1	•Plug, Cap	F1,F2
2	3A 24424	1	•Cylinder, Hydraulic	KF,F1
	3A 27432	1	•Cylinder, Hydraulic	F2
3	3A 24426	1	•Piston	KF,F1,F2
4	3A 24427	1	•Seal	KF,KH,KK, F1,F2
5	3A 24428	1	•Ring, Sliding	KF,KH,KK, F1,F2
6	3A 24429	1	•Rod	KF,F1,F2
7	3A 24430	1	•Ring, Retaining	KF,F1,F2
8	3A 24431	1	•Excluder, Rod	KF,KH,F1
	3A 27433	1	•Excluder, Rod	KK,F2
9	3A 24421	1	•Nut	KF,F1,F2
10	3A 24422	1	•Pin, Cotter	KF,F1,F2
11	3A 24433	1	•Clevis	KF,F1,F2
12	3A 24434	1	•Pin, Clevis	KF,F1,F2
13	3A 24436	1	•Spring	F1,F2
14	3A 24437	1	•Washer	KB,F1,F2
15	3A 24404	1	•Bolt	F1,F2
16	3A 24409	5	•Spring, Disc	F1,F2
17	3A 25234	1	•Housing, Spring	F1,F2
18	3A 24406	1	•Plug, Screw-In	F1,F2
19	3A 24420	1	•Capscrew	KG,F1,F2
20	3A 25235	1	•Nut, Coupling	KB,F1,F2
21	3A 25236	1	•Setscrew	KB,F1,F2
22	3A 24435	3	•Pin, Dowel	KA,KI,F1, F2
23	3A 24410	1	•Cam	KA,KI,F1, F2
24	3A 24411	3	•Bearing, Ball	KA,F1
	3A 27434	3	•Bearing, Ball	KI,F2
25	3A 24412	1	•Cam	KA,KI,F1, F2
26	3A 24414	1	•Washer	KB,F1,F2
27	3A 24413	1	•Bearing, Needle	KB,F1,F2
28	3A 24414	1	•Washer	KB,F1,F2

Park Brake Assy

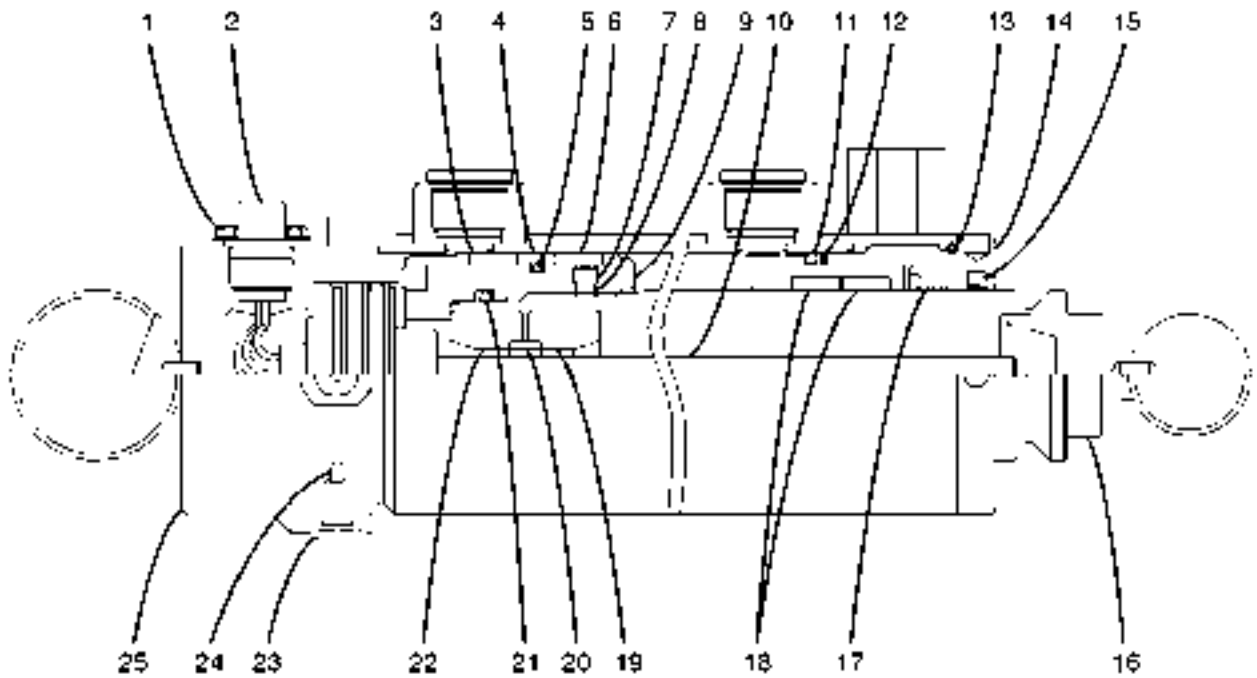


Parts List

0715

Park Brake Assy				
REF	PART NO.	QTY	DESCRIPTION	REMARKS
29	3A 25239	1	•O-ring	F1,F2
30	3A 25238	1	•Piston	KB,F1,F2
31	3A 24417	1	•O-ring	F1,F2
32	3A 25237	1	•Magnet	F1,F2
33	3A 24404	1	•Bolt	F1,F2
34	3A 24437	1	•Washer	KB,F1,F2
35	3A 24436	1	•Spring	F1,F2
36	3A 24418	1	•Lever	KF,F1,F2
37	3A 24419	1	•Ring, Retaining	F1,F2
38	3A 25240	1	•Plate, Torque	F1,F2
39	3A 25232	1	•O-ring	F1
	3A 24439	1	•O-ring	F2
40	3A 24405	1	•Nut, Sleeve/Jam	F1,F2
41	3A 24421	2	•Nut	KG,F1,F2
42	3A 24405	1	•Nut, Sleeve/Jam	F1,F2
43	3A 25232	1	•O-ring	F1
	3A 24439	1	•O-ring	F2
44	3A 24423	2	•Lining & Carrier Assy	KG,F1,F2
45	3A 24425	2	•Bolt	KF,F1,F2
	3A 24400	1	•Kit, Cam Overhaul - All Items Marked KA	F1
	3A 25231	1	•Kit, Overhaul - All Items Marked KB	F1,F2
	3A 25230	1	•Kit, Spring - All Items Marked KC	KE,KJ,F1, F2
	3A 25229	1	•Kit, Disc Spring - All Items Marked KD	KE,KJ,F1, F2
	3A 25228	1	•Kit, Brake Overhaul - All Items Marked KE	F1
	3A 24402	1	•Kit, Hydraulic Cylinder Overhaul - All Items Marked KF	F1,F2
	3A 24403	1	•Kit, Lining - All Items Marked KG	KE,KJ,F1, F2
	3A 25227	1	•Kit, Seal - All Items Marked KH	KE,F1
	3A 27431	1	•Kit, Cam Overhaul - All Items Marked KI	F2
	3A 27430	1	•Kit, Brake Overhaul - All Items Marked KJ	F2
	3A 27429	1	•Kit, Seal - All Items Marked KK	KJ,F2
	F1		OEM part number is impresssion stamped on brake casting. Use F1 for OEM 419-9022 and F2 for 419-9310-1.	

Outrigger Beam Cylinder Assy

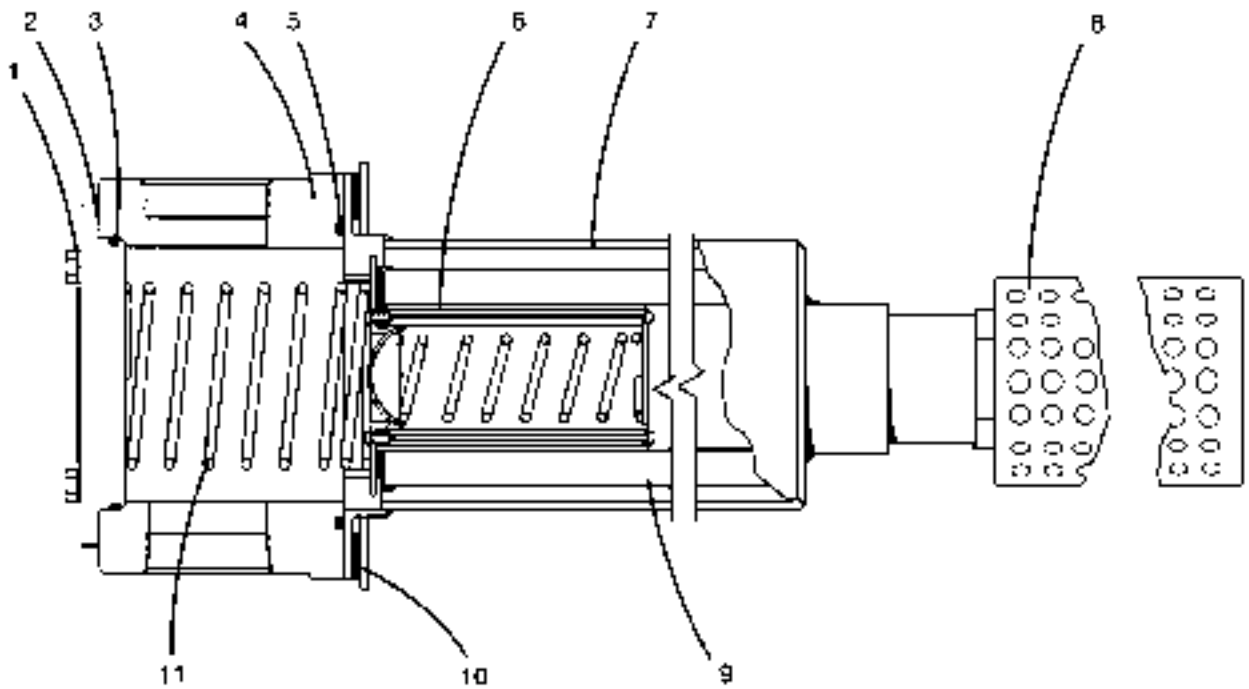


Parts List

0811

Outrigger Beam Cylinder Assy				
REF	PART NO.	QTY	DESCRIPTION	REMARKS
	L8J0428	1	Outrigger Beam Cylinder Assy	
1	3J 19203	4	Screw, Self-Tapping	
2	3J 19200	1	Connector	
3	3J 16878	1	Ring, Wear	KA
4	3J 16882	1	Seal	KA
5	3J 16881	1	O-ring	KA
6	3J 16878	1	Ring, Wear	KA
7	3J 12575	2	Setscrew	
8	3J 12558	2	Plug	
9	3J 19196	1	Piston	
10	3J 19386	1	Sensor	
11	3A 9430	1	O-ring	KA
12	3A 9432	1	Ring, Back Up	KA
13	3J 12547	1	O-ring	KA
14	3J 17162	1	Head	
15	3J 12613	1	Wiper, Rod	KA
16	3J 19384	1	Rod	
17	3J 12612	1	Seal	KA
18	3J 12610	2	Ring, Wear	KA
19	3J 19195	1	Retainer, Magnet	
20	3J 19201	1	Magnet, Ring	
21	3J 19194	1	O-ring	KA
22	3J 19195	1	Retainer, Magnet	
23	3J 19202	2	Plug	
24	3J 19204	2	Setscrew	
25	3J 19385	1	Case	
	3J 19193	1	Klt. Seal - All Items Marked KA	

Filter Assy

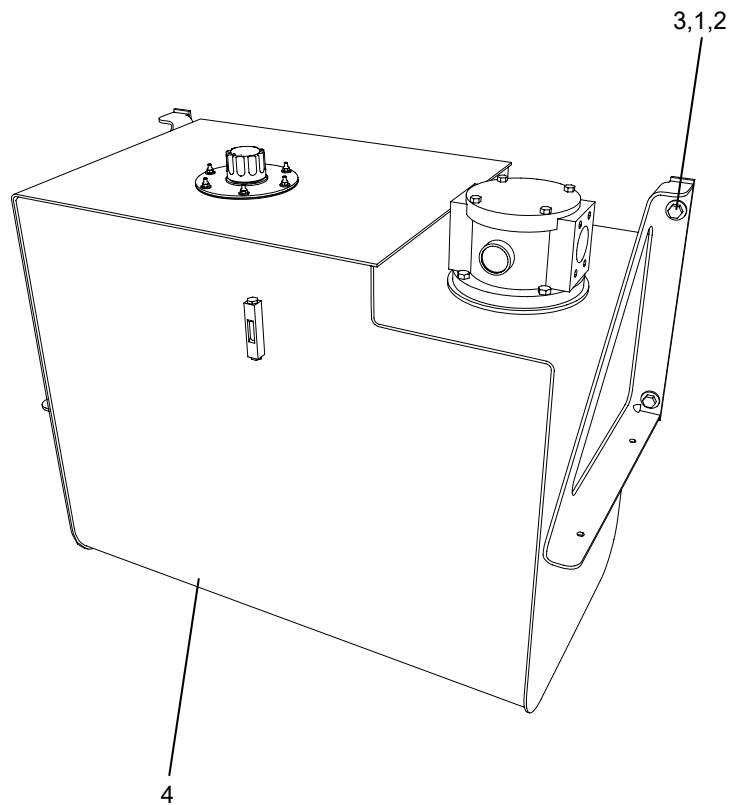


Parts List

0511

Filter Assy				
REF	PART NO.	QTY	DESCRIPTION	REMARKS
	F2J0261	1	Filter Assy	
	3J 13366	1	Cap Assy	
1	3J 13380	4	Capscrew	
	3J 13372	4	Lockwasher	
2	3J 18663	1	Cap	
3	3J 13379	1	O-ring	KA
4	REF	1	Head Assy	NSS
5	3J 13375	1	O-ring	KA
6	3J 13371	1	By-Pass Valve Assy	
7	3J 13368	1	Can Assy	
8	REF	1	Diffuser	NSS
9	D7J0149	1	Element, Filter	
10	3J 13376	1	Gasket	KA
11	3J 13370	1	Spring	
	3W 0957	1	Alarm, Dirt - Not Shown	
	3J 13373	1	Switch, Pressure - Not Shown	
	3J 13374	1	Plug, Pipe - Not Shown	
	3J 13377	1	Kit, Seal - Items Marked KA	

Hydraulic Reservoir Installation



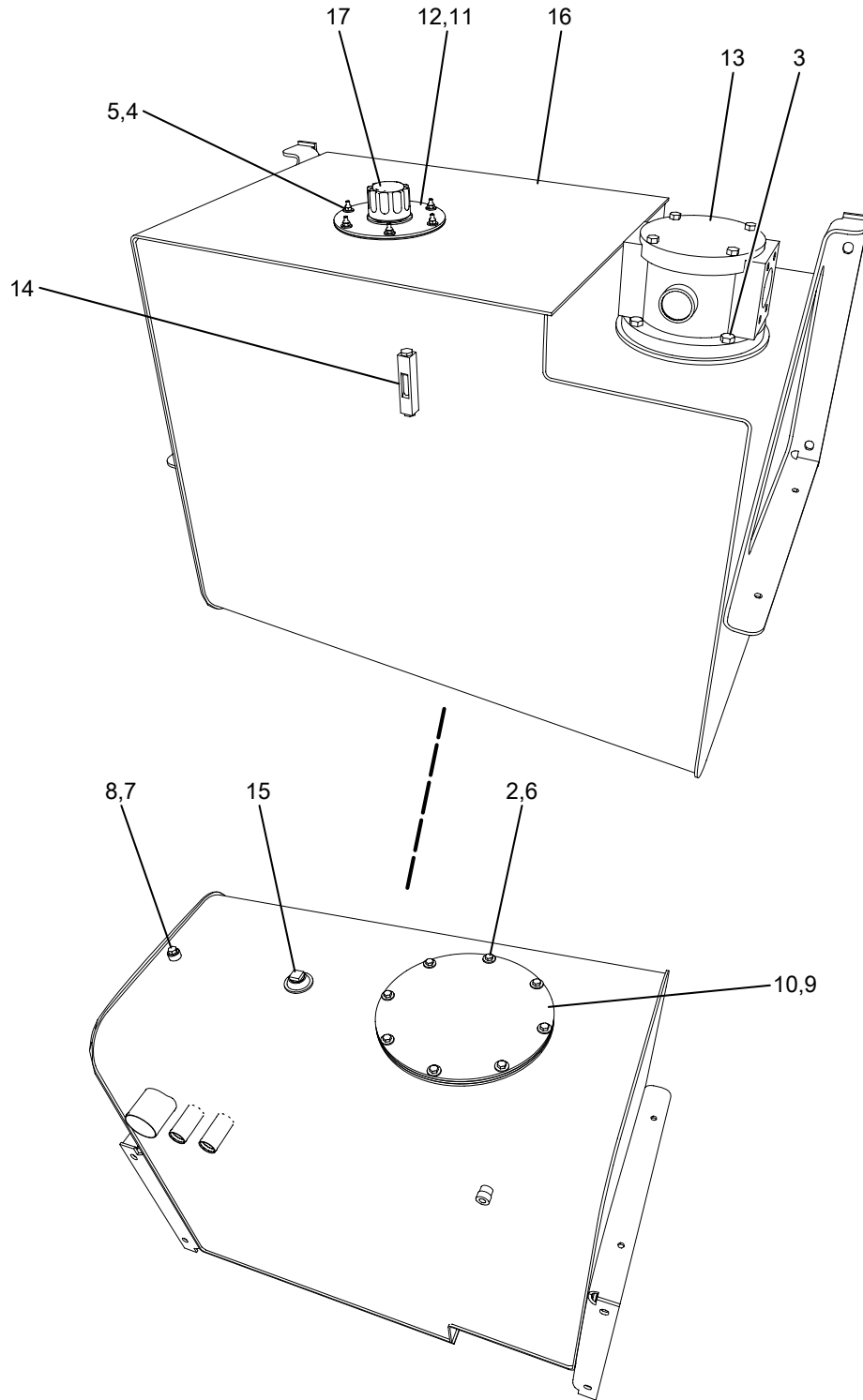
Parts List

0615

Hydraulic Reservoir Installation				
REF	PART NO.	QTY	DESCRIPTION	REMARKS
1	128003008	8	Washer	NSS
2	1X 4988	4	Locknut	
3	1X 5262	4	Capscrew	
4	J6J0334	1	Hydraulic Reservoir S/A - See 01-039-128.00	

Hydraulic Reservoir S/A

1 - Includes items 2-17

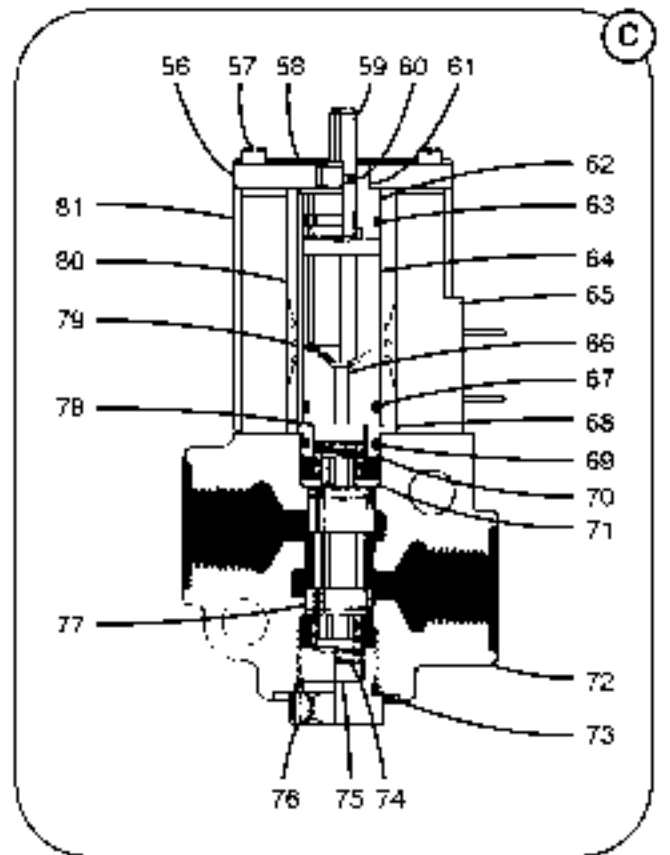
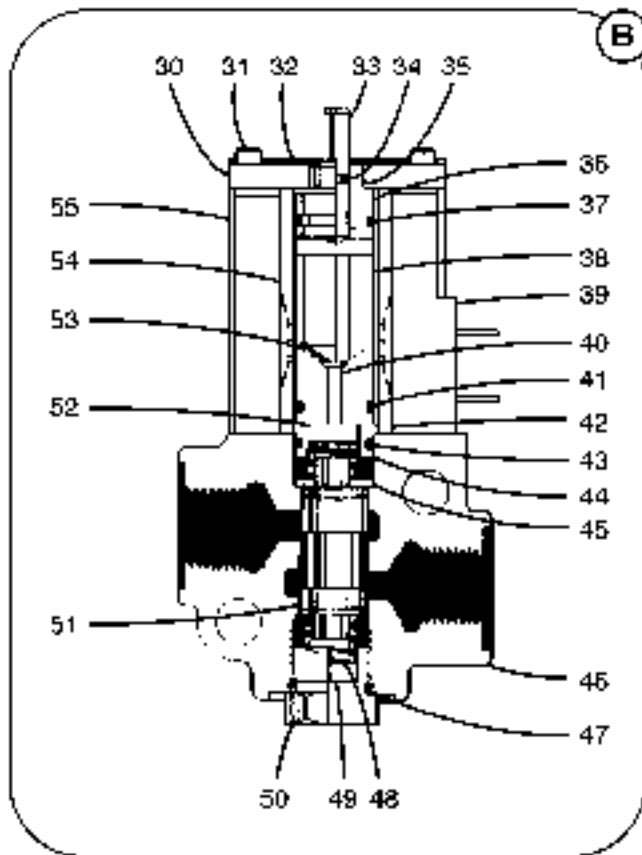
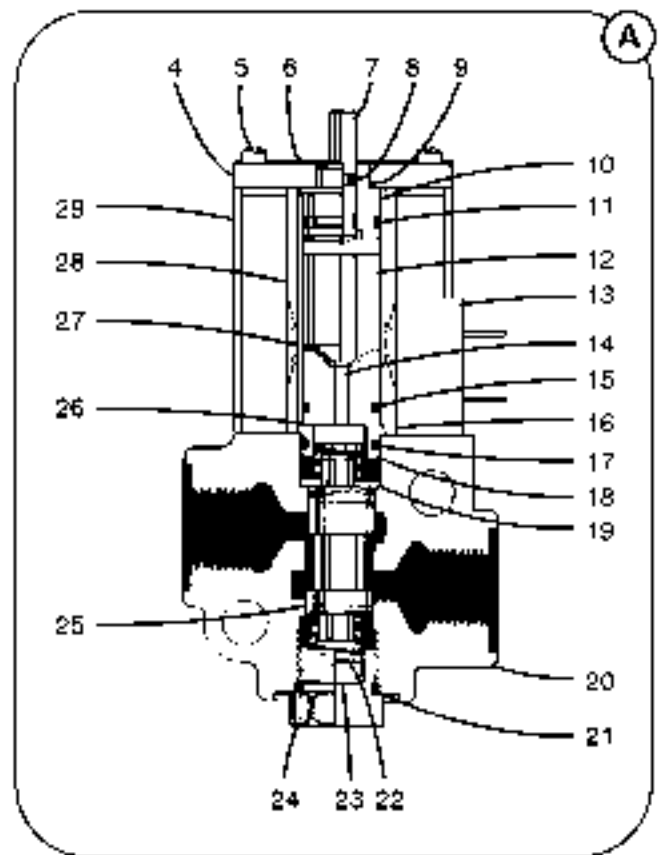
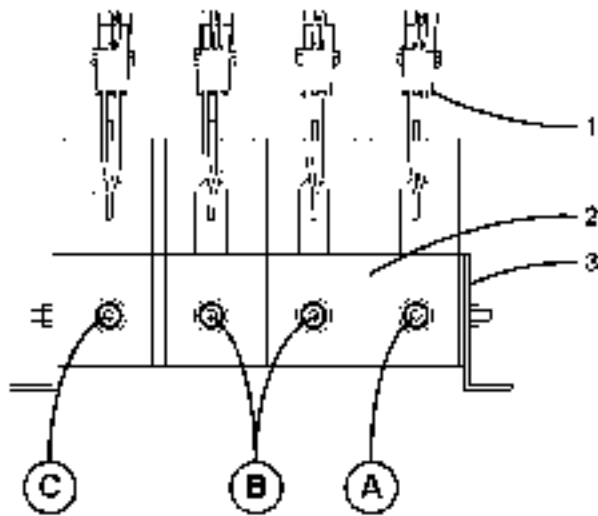


Parts List

0615

Hydraulic Reservoir S/A				
REF	PART NO.	QTY	DESCRIPTION	REMARKS
1	J6J0334	1	Hydraulic Reservoir S/A	NSS
2	126009013	8	•Capscrew	
3	126009028	4	•Capscrew	
4	127004001	6	•Locknut	
5	128003001	6	•Washer	
6	128003004	8	•Washer	
7	1J 2700	1	•O-ring	
8	22A2567	1	•Plug, Bleed	
9	46J1187	1	•Gasket	
10	46J1189	1	•Plate, Cover	
11	69J0603	1	•Gasket	
12	69J0611	1	•Filler, Tank	
13	F2J0261	1	•Filter Assy - See 01-039-100.00	
14	F7J0081	1	•Gauge, Sight	
15	GC 0160	1	•Plug, Magnetic Drain	
16	J6J0333	1	•Hydraulic Reservoir	
17	J7J0225	1	•Cap, Filler/Breather	

2 Way Valve Stack Assy

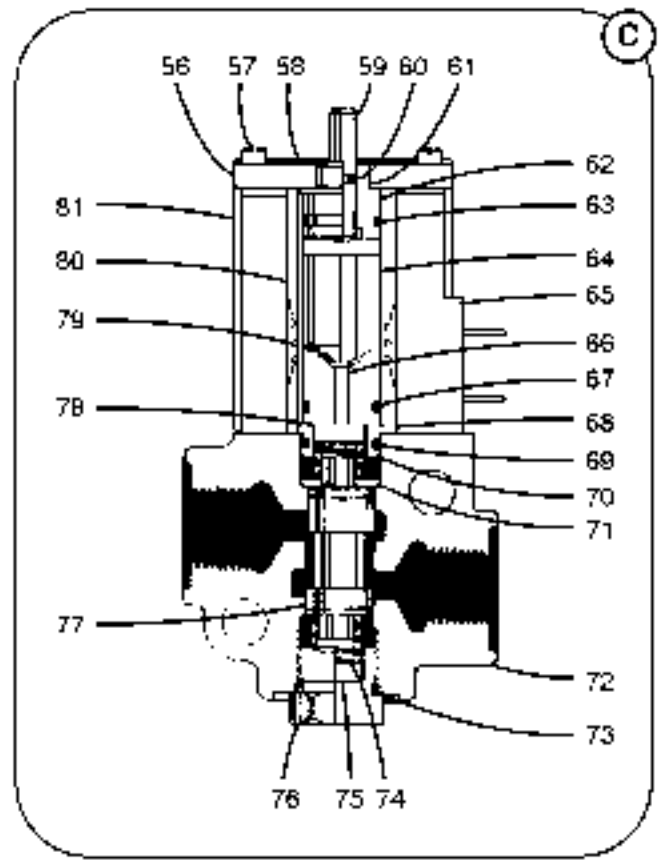
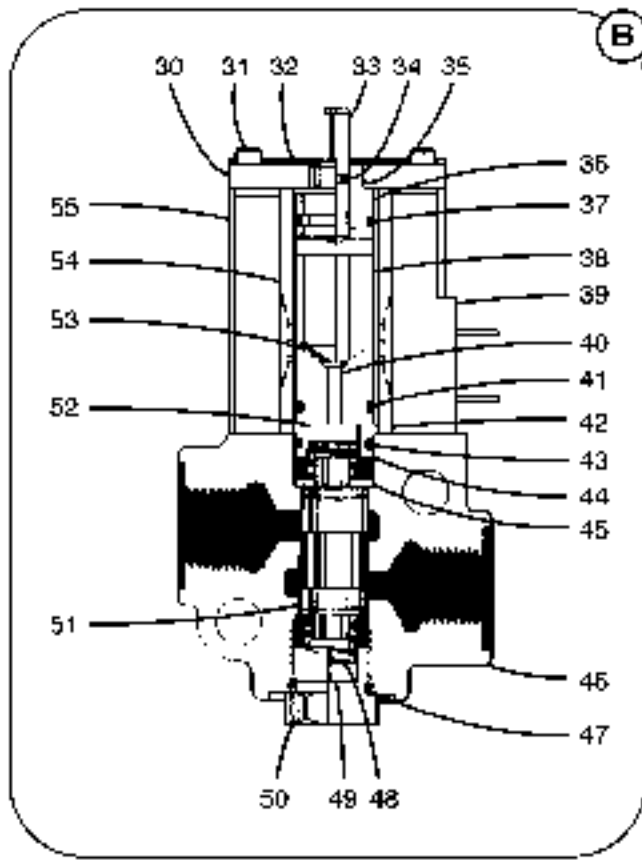
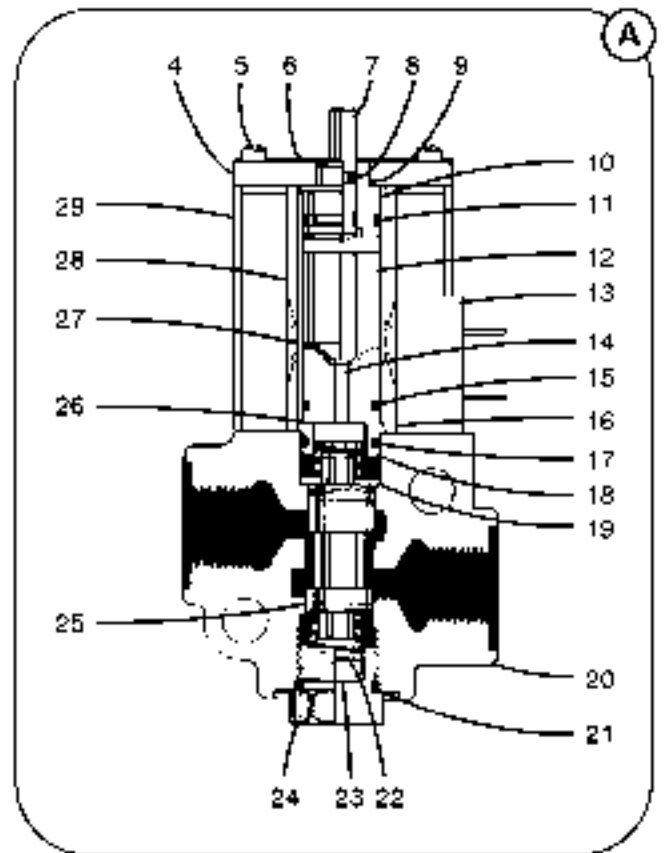
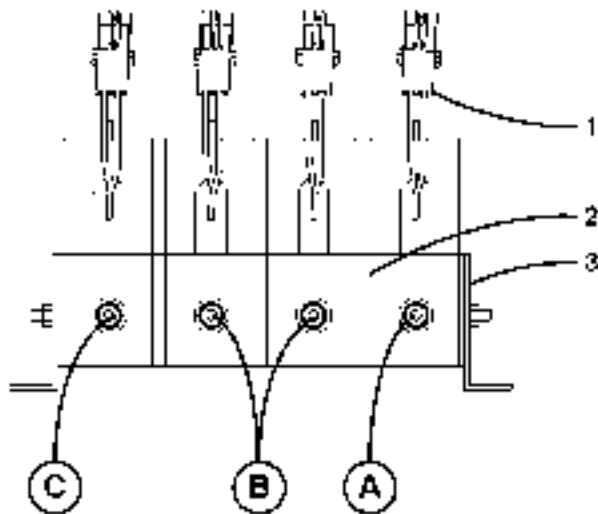


Parts List

1212

2 Way Valve Stack Assy				
REF	PART NO.	QTY	DESCRIPTION	REMARKS
	F1J0079	1	2 Way Valve Stack Assy	
1	155058001	4	Connector, 2 Way	
	155063001	8	Terminal	
	155064006	8	Seal, Cable	
2	3A 13687	3	Plate, Seal	
	3A 0521	3	O-ring	
3	3J 13942	2	Bracket Assy	
	3J 13907	1	Section, End	
4	3J 13910	1	Plate, End	
5	3J 13915	4	Screw	
6	3J 13904	1	Plate, Name	
7	3J 13924	1	Pin	
8	3J 13916	1	Ring	
9	3J 13923	1	Guide	
10	3J 13917	1	Tube, Guide	
11	3J 13922	1	O-ring	
12	3J 13919	1	Plunger	
13	3J 14104	1	Coil	
14	3J 13918	1	Pin, Push	
15	3J 13922	1	O-ring	
16	3J 13912	1	Sleeve, Inner Flux	
17	3J 13921	1	O-ring	
18	3J 13920	1	Cone	
19	3J 13674	1	Washer	
20	REF	1	Body	NSS
21	3J 13906	1	O-ring	
22	3J 13673	2	Spring	
23	3J 13925	1	Spacer, Spring	
24	3J 13909	1	Plug	
25	3J 13906	1	Spool	
26	3J 13925	1	Spacer, Spring	
27	3J 13914	1	Spring	
28	3J 13913	1	Sleeve, Outer Flux	
29	3J 13911	1	Case, Solenoid	
	3J 13906	2	Section, Mid	
30	3J 13910	1	Plate, End	
31	3J 13915	4	Screw	
32	3J 13904	1	Plate, Name	
33	3J 13924	1	Pin	
34	3J 13916	1	Ring	
35	3J 13923	1	Guide	
36	3J 13917	1	Tube, Guide	
37	3J 13922	1	O-ring	
38	3J 13919	1	Plunger	
39	3J 14104	1	Coil	
40	3J 13918	1	Pin, Push	
41	3J 13922	1	O-ring	
42	3J 13912	1	Sleeve, Inner Flux	
43	3J 13921	1	O-ring	
44	3J 13920	1	Cone	
45	3J 13674	1	Washer	

2 Way Valve Stack Assy

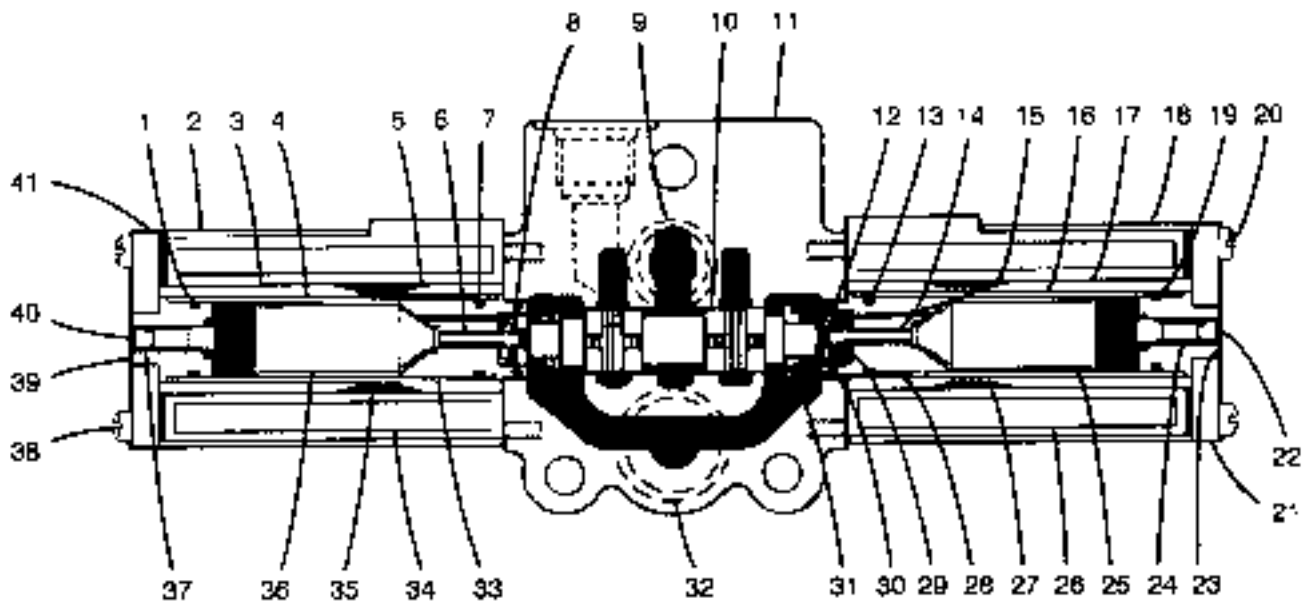


Parts List

1212

2 Way Valve Stack Assy				
REF	PART NO.	QTY	DESCRIPTION	REMARKS
46	REF	1	Body	NSS
47	3J 13906	1	O-ring	
48	3J 13673	2	Spring	
49	3J 13925	1	Spacer, Spring	
50	3J 13909	1	Plug	
51	3J 13903	1	Spool	
52	3J 13925	1	Spacer, Spring	
53	3J 13914	1	Spring	
54	3J 13913	1	Sleeve, Outer Flux	
55	3J 13911	1	Case, Solenoid	
	3J 13905	1	Section, Inlet	
56	3J 13910	1	Plate, End	
57	3J 13915	4	Screw	
58	3J 13904	1	Plate, Name	
59	3J 13924	1	Pin	
60	3J 13916	1	Ring	
61	3J 13923	1	Guide	
62	3J 13917	1	Tube, Guide	
63	3J 13922	1	O-ring	
64	3J 13919	1	Plunger	
65	3J 14104	1	Coil	
66	3J 13918	1	Pin, Push	
67	3J 13922	1	O-ring	
68	3J 13912	1	Sleeve, Inner Flux	
69	3J 13921	1	O-ring	
70	3J 13920	1	Cone	
71	3J 13674	1	Washer	
72	REF	1	Body	NSS
73	3J 13906	1	O-ring	
74	3J 13673	2	Spring	
75	3J 13925	1	Spacer, Spring	
76	3J 13909	1	Plug	
77	3J 13903	1	Spool	
78	3J 13925	1	Spacer, Spring	
79	3J 13914	1	Spring	
80	3J 13913	1	Sleeve, Outer Flux	
81	3J 13911	1	Case, Solenoid	

4 Way Solenoid Valve Assy

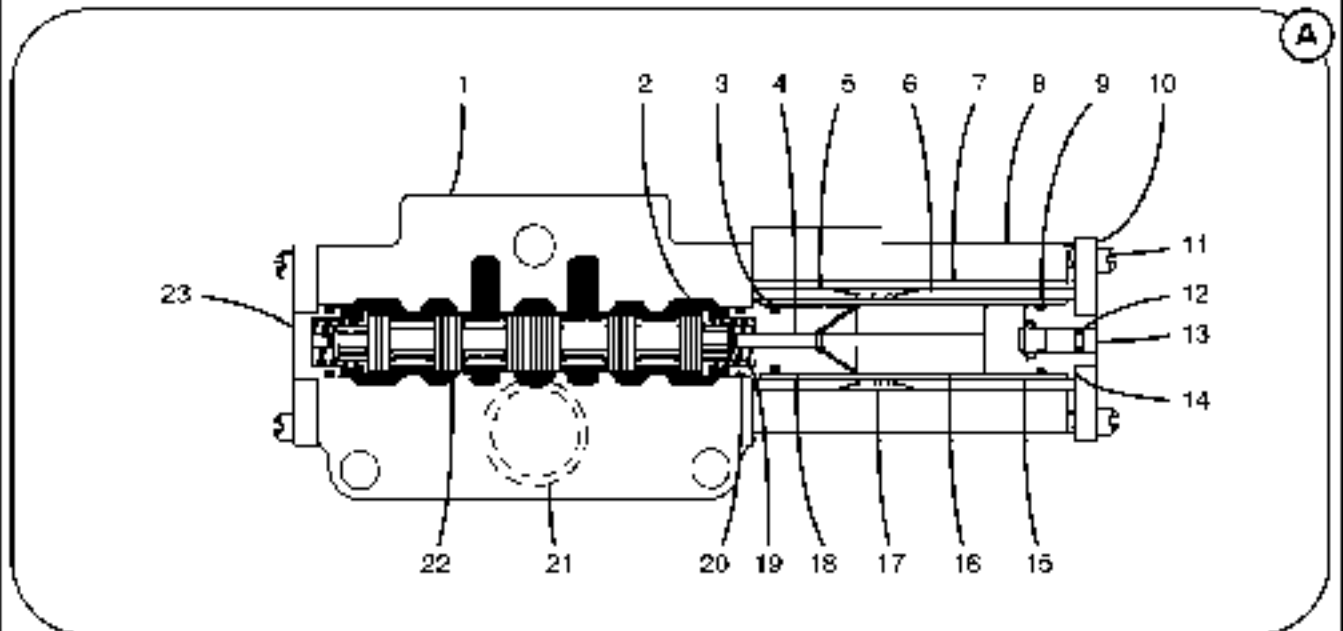
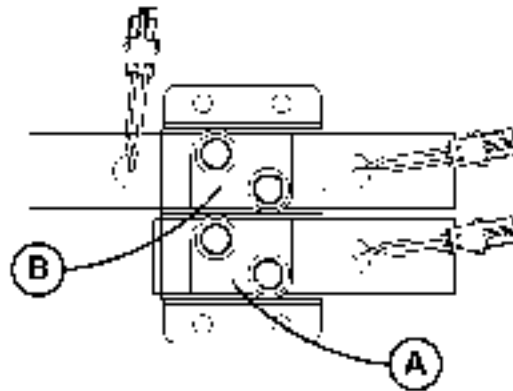


Parts List

0499

4 Way Solenoid Valve Assy				
REF	PART NO.	QTY	DESCRIPTION	REMARKS
	D7J0438	1	4 Way Solenoid Valve Assy	
1	3J 13922	1	O-ring	KA
2	3J 13936	1	Case, Solenoid	
3	3J 13937	1	Sleeve, Outer Flux	
4	3J 13938	1	Tube, Guide	
5	3J 13939	1	Sleeve, Inner Flux	
6	3J 13918	1	Pin, Push	
7	3J 13922	1	O-ring	KA
8	3J 13921	1	O-ring	KA
9	3J 13682	1	O-ring	KA
10	REF	1	Spool	NSS
11	REF	1	Body	NSS
12	3J 13921	1	O-ring	KA
13	3J 13922	1	O-ring	KA
14	3J 13918	1	Pin, Push	
15	3J 13939	1	Sleeve, Inner Flux	
16	3J 13938	1	Tube, Guide	
17	3J 13937	1	Sleeve, Outer Flux	
18	3J 13936	1	Case, Solenoid	
19	3J 13922	1	O-ring	KA
20	3J 13933	4	Screw	
21	3J 13910	1	Plate, End	
22	3J 13934	1	Pin, Actuator	
23	3J 13923	1	Guide, Push Pin	
24	3J 13916	1	Ring, Quad	KA
25	3J 13932	1	Plunger	
26	3J 14649	1	Coil	
27	3J 13914	1	Spring	
28	3J 13931	1	Cone	
29	3J 13683	2	Spring	
30	3J 13921	1	O-ring	KA
31	3J 13684	2	Washer, Hat	
32	3J 13977	1	O-ring	KA
33	3J 13931	1	Cone	
34	3J 14649	1	Coil	
35	3J 13914	1	Spring	
36	3J 13932	1	Plunger	
37	3J 13916	1	Ring, Quad	KA
38	3J 13933	4	Screw	
39	3J 13923	1	Guide, Push Pin	
40	3J 13934	1	Pin, Actuator	
41	3J 13910	1	Plate, End	
	3J 13940	1	Kit, Sep. - All Items Marked KA	

2 Section Steer Valve Assy

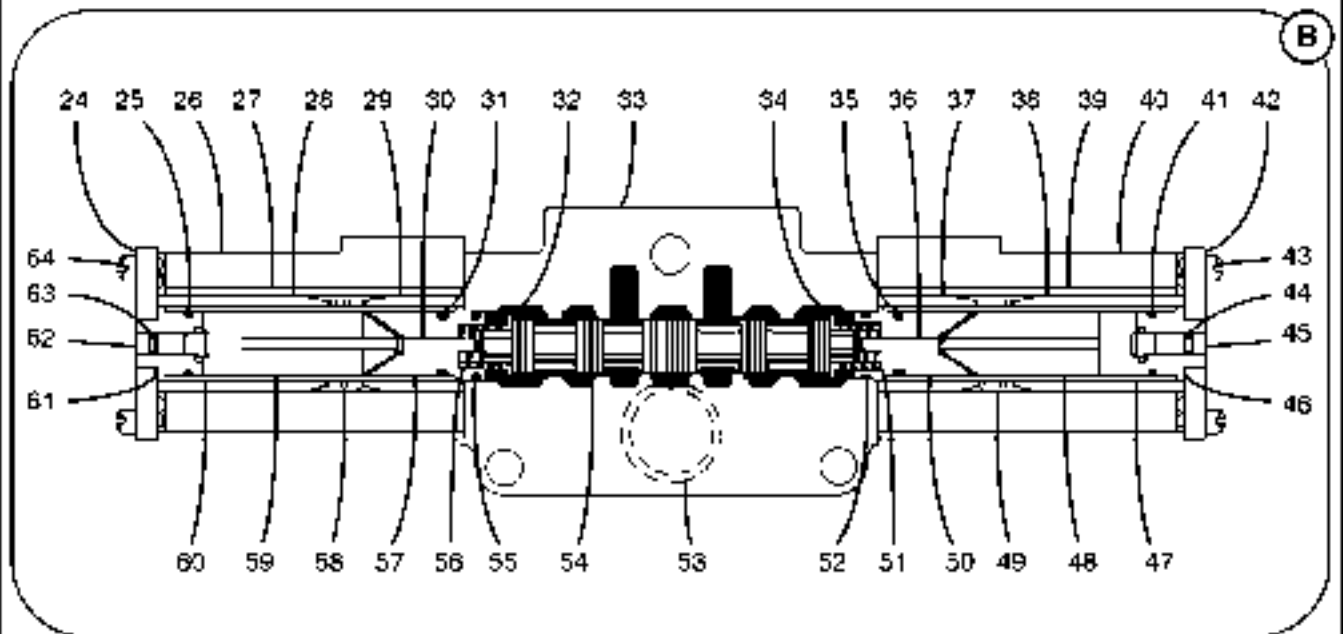


Parts List

0703

2 Section Steer Valve Assy				
REF	PART NO.	QTY	DESCRIPTION	REMARKS
	F7J0355	1	2 Section Steer Valve Assy	
	3J 14690	1	Valve Assy	
1	3J 13927	1	Body	
2	3J 13674	1	Washer	
3	3J 13922	1	O-ring	
4	3J 13918	1	Pin	
5	3J 13939	1	Sleeve, Inner Flux	
6	3J 13937	1	Sleeve, Outer Flux	
7	3J 14687	1	Coil	
8	3J 13936	1	Case, Solenoid	
9	3J 13922	1	O-ring	
10	3J 13910	1	Plate, End	
11	3J 13933	4	Screw	
12	3J 13916	1	Ring, Quad	
13	3J 13934	1	Pin, Actuator	
14	3J 13923	1	Guide	
15	3J 14688	1	Tube, Guide	
16	3J 13932	1	Plunger	
17	3J 13914	1	Spring	
18	3J 13931	1	Cone	
19	3J 13673	1	Spring	
20	3J 13921	1	O ring	
21	3J 13677	1	O ring	
22	3J 13676	1	Spool	
23	3J 13990	1	Plug	
	3J 14689	1	Valve Assy	
24	3J 13910	1	Plate, End	
25	3J 13922	1	O-ring	
26	3J 13936	1	Case, Solenoid	
27	3J 14687	1	Coil	
28	3J 13937	1	Sleeve, Outer Flux	
29	3J 13939	1	Sleeve, Inner Flux	
30	3J 13918	1	Pin	
31	3J 13922	1	O-ring	
32	3J 13674	1	Washer	
33	3J 13927	1	Body	
34	3J 13674	1	Washer	
35	3J 13922	1	O-ring	
36	3J 13918	1	Pin	
37	3J 13939	1	Sleeve, Inner Flux	
38	3J 13937	1	Sleeve, Outer Flux	
39	3J 14687	1	Coil	
40	3J 13936	1	Case, Solenoid	
41	3J 13922	1	O-ring	
42	3J 13910	1	Plate, End	
43	3J 13933	4	Screw	
44	3J 13916	1	Ring, Quad	
45	3J 13934	1	Pin, Actuator	
46	3J 13923	1	Guide	
47	3J 13680	1	Tube, Guide	
48	3J 13932	1	Plunger	
49	3J 13914	1	Spring	

2 Section Steer Valve Assy



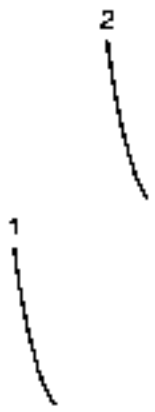
Parts List

0703

2 Section Steer Valve Assy

REF	PART NO.	QTY	DESCRIPTION	REMARKS
50	3J 13931	1	Cone	
51	3J 13673	1	Spring	
52	3J 13921	1	O-ring	
53	3J 13677	1	O-ring	
54	3J 13676	1	Spool	
55	3J 13921	1	O-ring	
56	3J 13673	1	Spring	
57	3J 13931	1	Cone	
58	3J 13914	1	Spring	
59	3J 13932	1	Plunger	
60	3J 13680	1	Tube. Guide	
61	3J 13923	1	Guide	
62	3J 13934	1	Pin, Actuator	
63	3J 13916	1	Ring. Quad	
64	3J 13933	4	Screw	

4 Way Solenoid Valve Assy

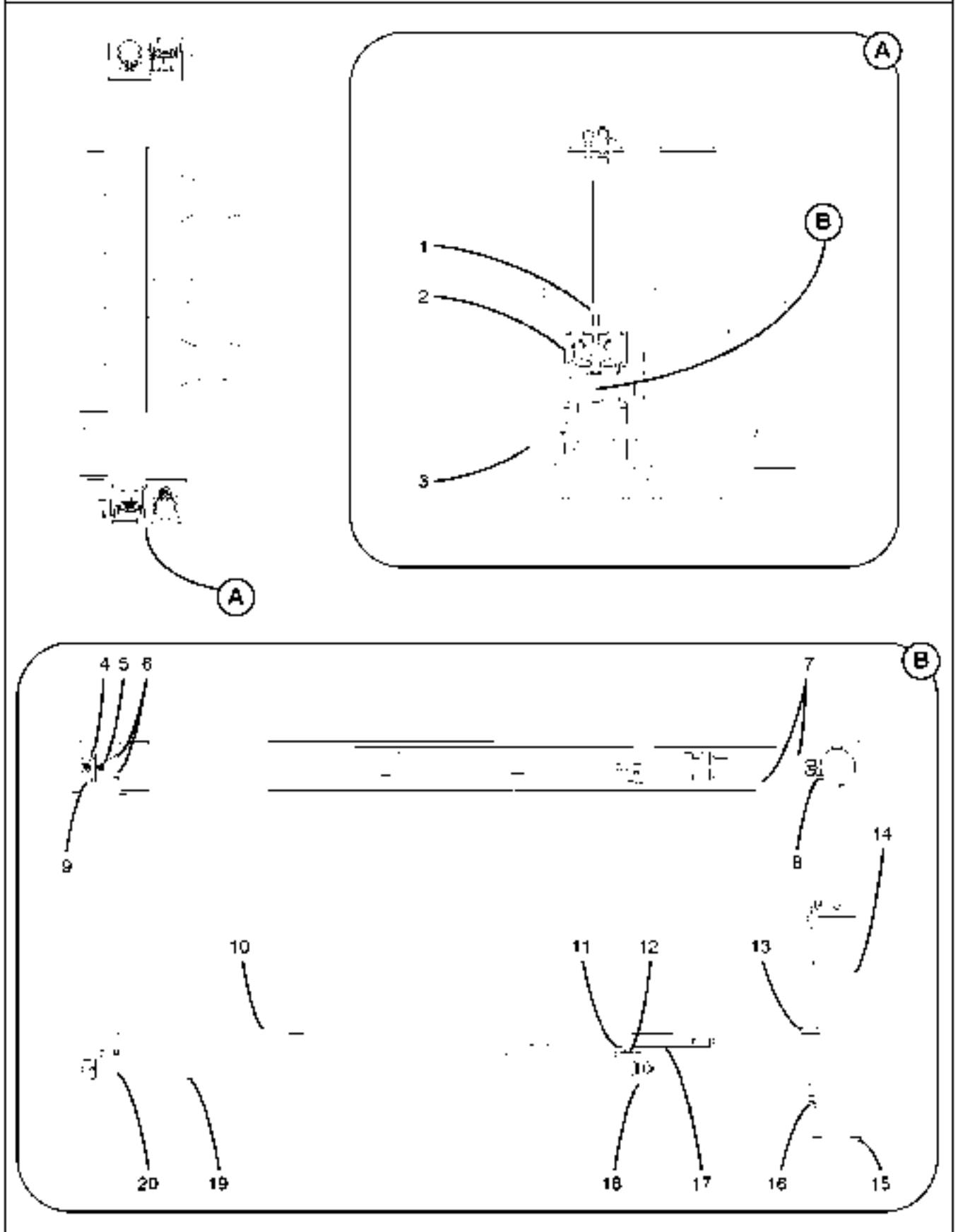


Parts List

0910

4 Way Solenoid Valve Assy				
REF	PART NO.	QTY	DESCRIPTION	REMARKS
1	N4J0069	1	4 Way Solenoid Valve Assy	NSS
	REF	1	Body	
2	3J 13194	1	Cartridge	
	3J 12276	1	Kit, Seal	
	3J 18230	1	Coil	
	3J 18144	1	Nut, Coil	

Outrigger Beam, Cylinders, & Lines

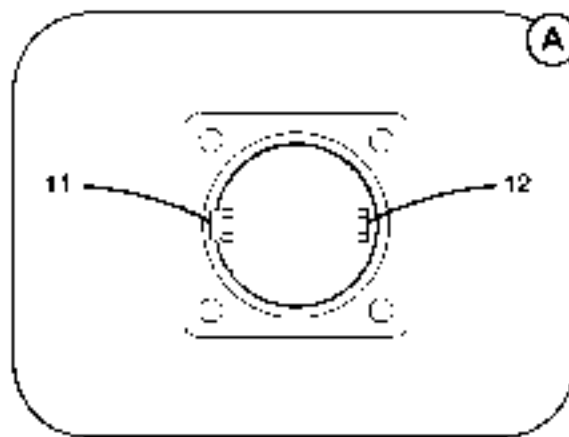
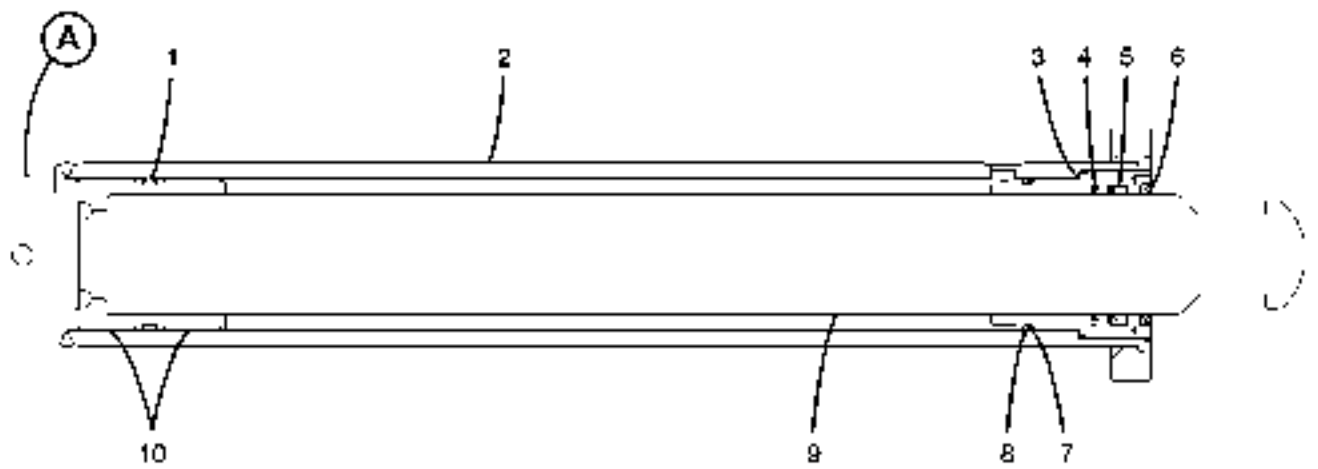


Parts List

0811

Outrigger Beam, Cylinders, & Lines				
REF	PART NO.	QTY	DESCRIPTION	REMARKS
1	J6J0284	4	Tube Assy	
2	E8A0102	8	Pin, Hitch	
3	J6A0313	4	Pin, CALC	
	D6D0016	4	Collar	
	J6J0281	4	Outrigger Beam S/A	NSS
4	J6J0282	1	Tube Assy	
5	1X 7371	1	Connector	
6	5Z 0621	2	Clamp	
	127004003	2	Locknut	
7	70J0117	2	Hose Assy	
	1X 7405	2	Elbow	
	1X 7371	2	Connector	
	71J0005	2	Tie, Cable	
8	F7J0420	1	Tube Assy	
	1X 7368	1	Connector	
9	J6J0283	1	Tube Assy	
10	REF	1	Beam, Outrigger	NSS
11	1X 7463	1	Connector	
12	1X 5790	1	Clamp	
	126009107	1	Capscrew	
13	824025010	1	Trim - 0.5'	
14	REF	1	Jack Cylinder Assy - See Keysheet 01-046	
15	1X 5501	4	Capscrew	
	1X 3650	4	Washer	
16	1X 7368	1	Elbow	
17	J6J0031	1	Bracket	
18	E8A0102	2	Pin, Hitch	
19	REF	1	Outrigger Beam Cylinder Assy - See Keysheet 01-037	
20	112015005	1	Clamp	

Jack Cylinder Assy

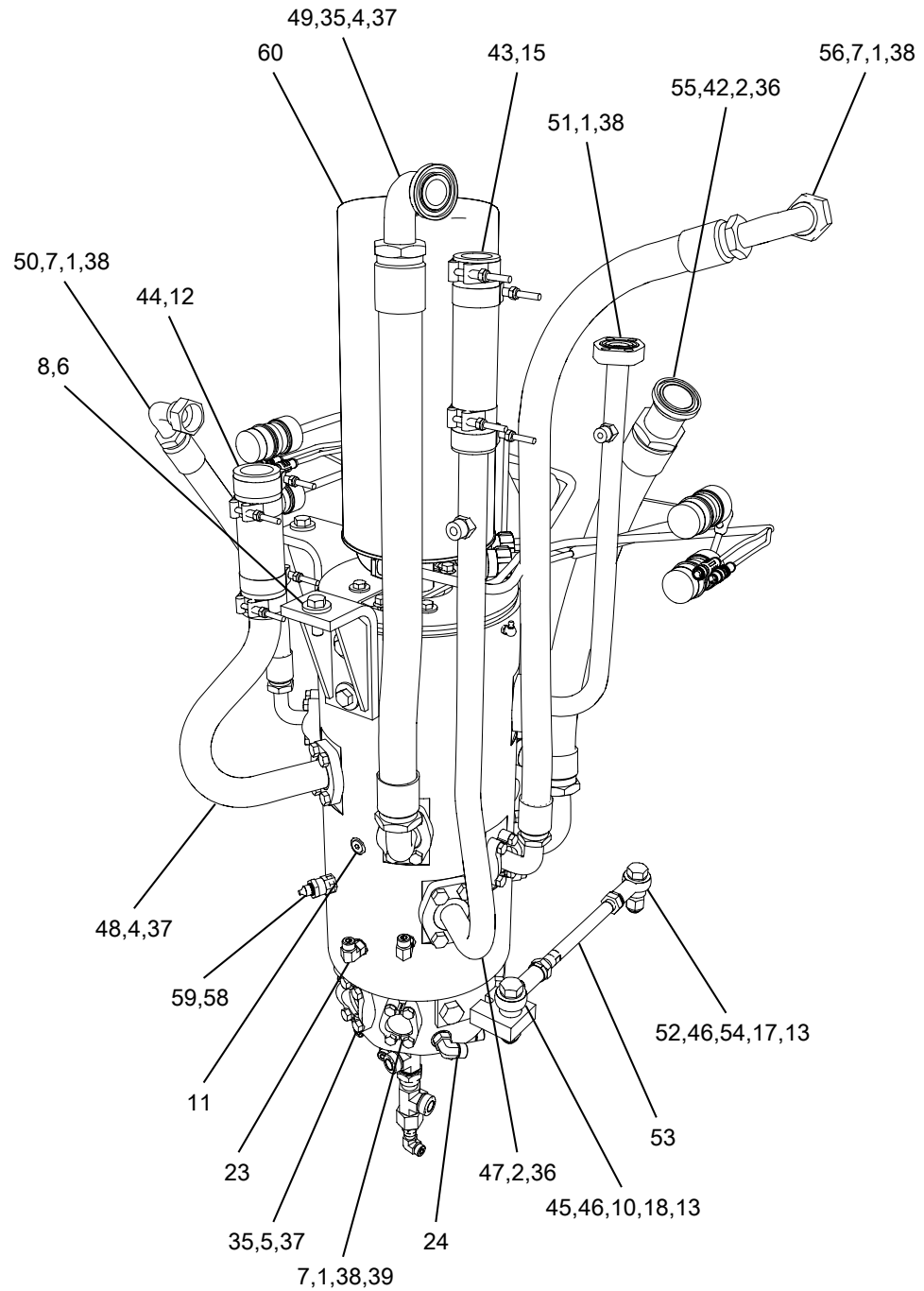


Parts List

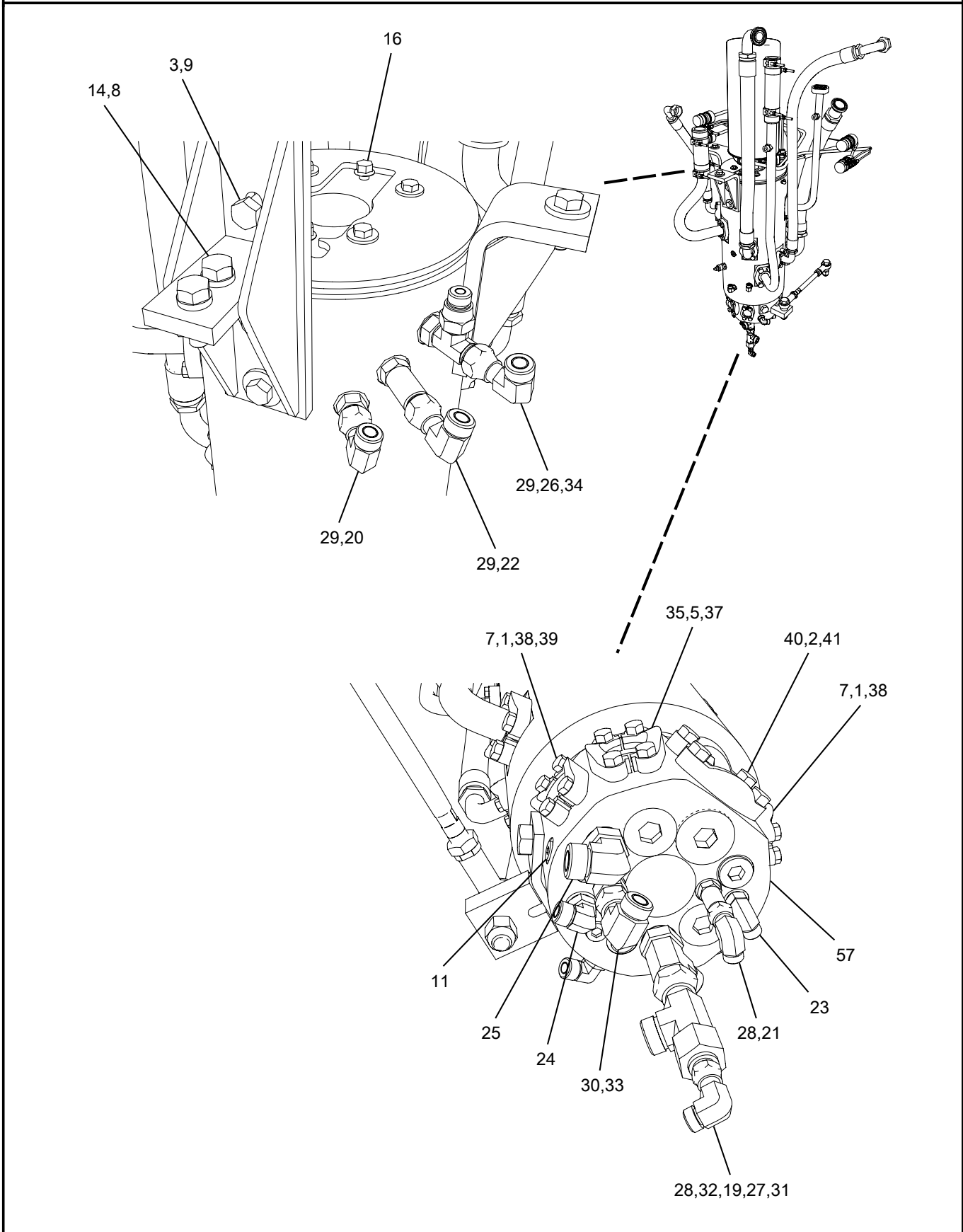
1208

Jack Cylinder Assy				
REF	PART NO.	QTY	DESCRIPTION	REMARKS
	L8J0014	1	Jack Cylinder Assy	
1	J6J0011	1	T-seal, Piston	KA
2	J6J0003	1	Body, Cylinder	
3	J6J0010	1	Gland	
4	D6J0421	1	Seal, Step	KA
5	J6J0012	1	Seal, Rod	KA
6	J6J0013	1	Wiper, Rod	KA
7	1A 0790	1	Ring, Back Up	KA
8	1X 5510	1	O-ring	KA
9	L8J0015	1	Rod, Piston	
10	D3J0582	2	Ring, Wear	KA
11	F7J0193	1	Cartridge, Check Valve W/Thermal Relief	
	3J 11667	1	Kit, Seal	
12	F7J0192	1	Cartridge, Check Valve	
	3J 14691	1	Kit, Seal	
	F7J0195	1	Piston, Pilot	
	3J 15593	1	Kit, Seal - All Items Marked KA	

Rotating Joint & Center Section



Rotating Joint & Center Section



Parts List

0816

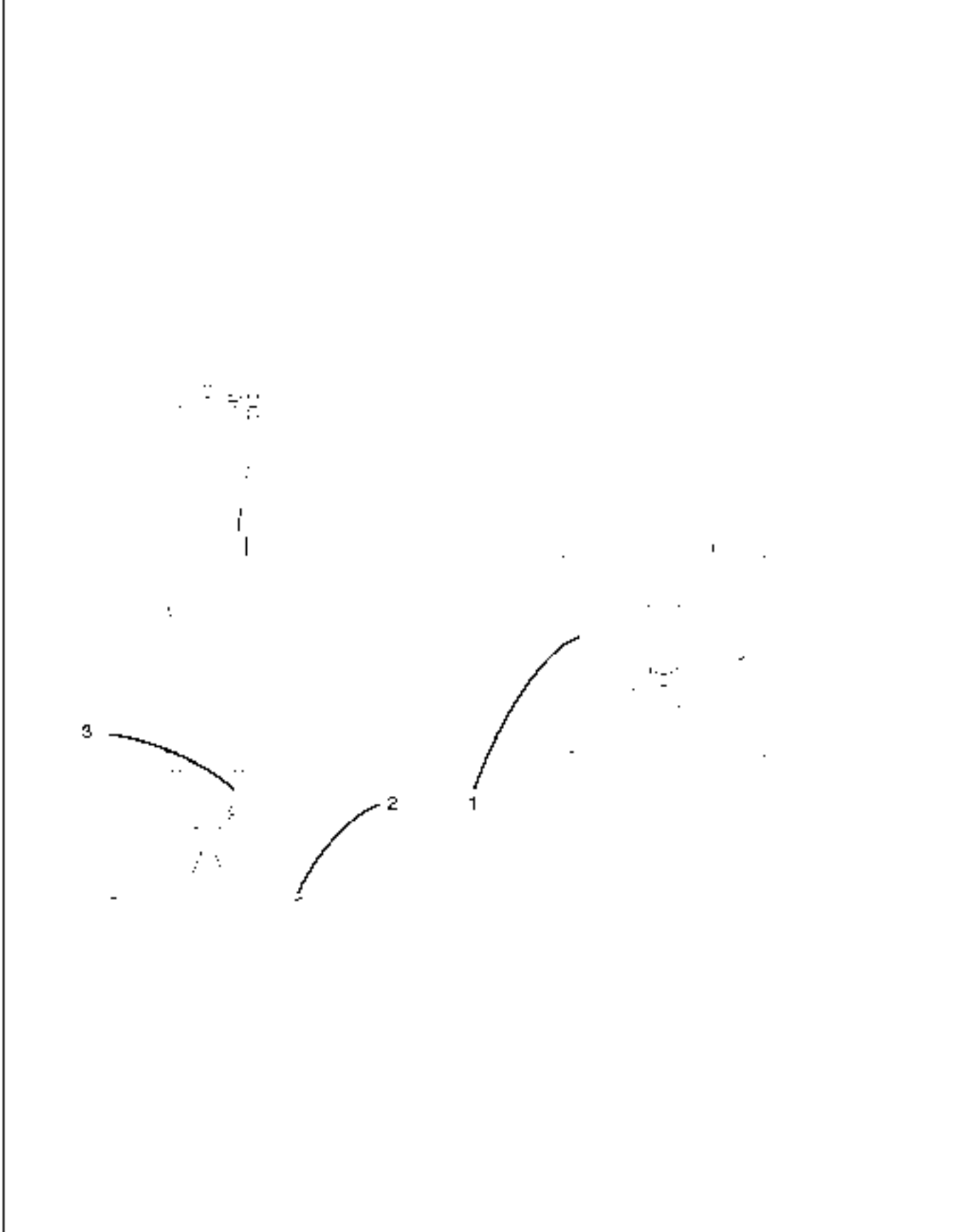
Rotating Joint & Center Section				
REF	PART NO.	QTY	DESCRIPTION	REMARKS
1	126009014	24	Capscrew	
2	126009027	12	Capscrew	
3	126009034	1	Capscrew	
4	126009102	8	Capscrew	
5	126009112	8	Capscrew	
6	128003006	2	Washer	
7	16J0201	10	Flange, Split	
8	18A2955	4	Capscrew	
9	1X 0183	1	Nut, Jam	
10	1X 0199	1	Nut, Jam	
11	1X 4526	2	Plug	
12	1X 4958	4	Clamp	
13	1X 4989	2	Locknut	
14	1X 5186	2	Washer	
15	1X 5582	4	Clamp	
16	1X 6793	2	Capscrew	
17	1X 6900	1	Capscrew	
18	1X 6930	1	Capscrew	
19	1X 7364	1	Nut, Tube	
20	1X 7371	1	Connector	
21	1X 7379	1	Connector	
22	1X 7380	1	Connector	
23	1X 7385	3	Elbow	
24	1X 7388	2	Elbow	
25	1X 7390	1	Elbow	
26	1X 7399	1	Tee	
27	1X 7400	1	Tee	
28	1X 7404	2	Elbow	
29	1X 7405	3	Elbow	
30	1X 7406	1	Elbow	
31	1X 7417	1	Tee	
32	1X 7441	1	Reducer	
33	1X 7447	1	Connector	
34	1X 7498	1	Reducer	
35	20J0084	6	Flange, Split	

Parts List

0816

Rotating Joint & Center Section				
REF	PART NO.	QTY	DESCRIPTION	REMARKS
36	20J0770	2	O-ring	
37	20J0771	4	O-ring	
38	20J0990	6	O-ring	
39	20J1795	2	Plug	
40	20J1948	2	Flange, Split	
41	20J3041	1	O-ring	
42	20J3148	2	Flange, Split	
43	822026001	1	Hose	0.66'
44	822026002	1	Hose	0.59'
45	D6A1435	1	End, Rod	
46	D6A1436	2	Spacer	
47	F7J0069	1	Tube Assy	
48	F7J0379	1	Tube Assy	
49	F7J0445	1	Hose Assy	
50	F7J0446	1	Hose Assy	
51	F7J0447	1	Tube Assy	
52	J6J0074	1	End, Rod	
53	J6J0076	1	Rod	
54	J6J0096	1	Nut, Jam	
55	J6J0193	1	Hose Assy	
56	J6J0194	1	Hose Assy	
57	J6J0279	1	14 Way Rotating Joint Assy	
58	N4J0355	1	Adaptor	
59	R8J0218	1	Sender, Temperature	
60	S4R0063	1	Collector Ring Assy - See 01-076-156.00	

Pontoon Installation

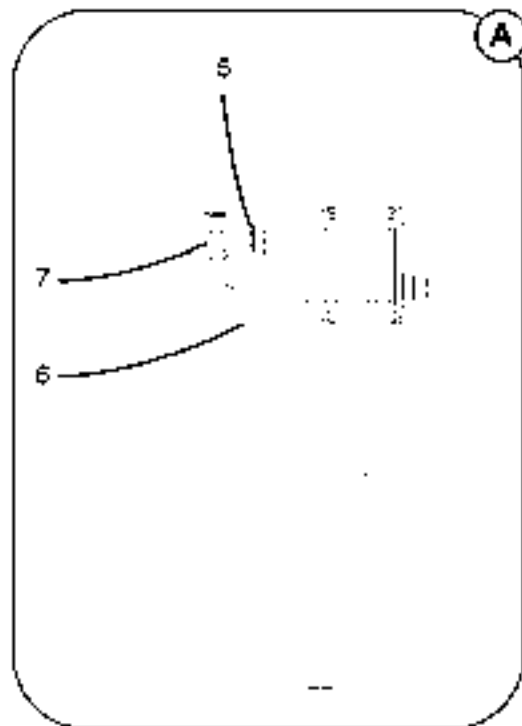
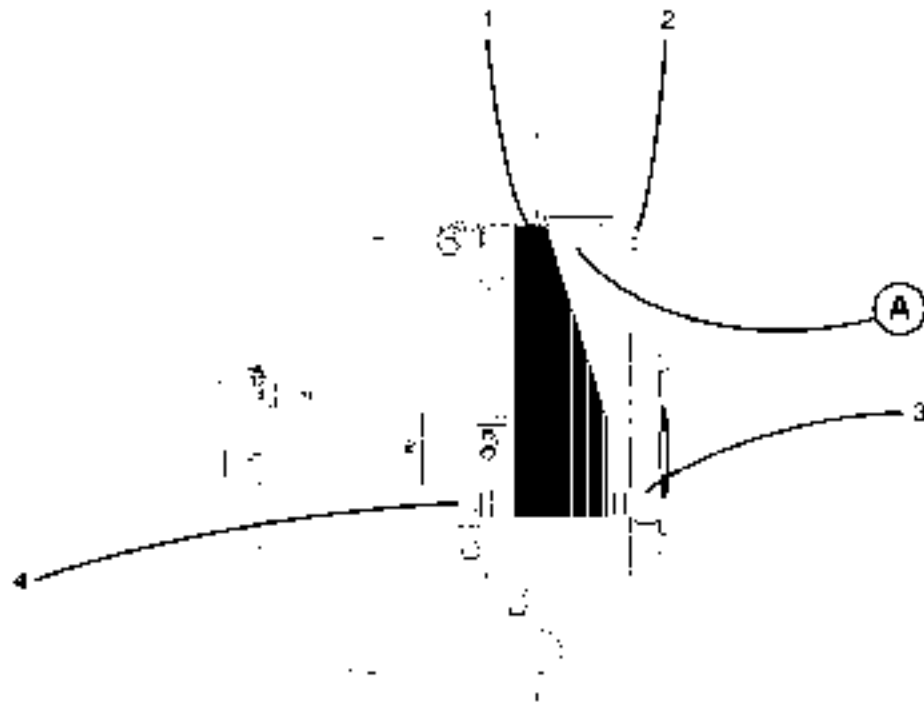


Parts List

1005

Pontoon Installation				
REF	PART NO.	QTY	DESCRIPTION	REMARKS
1	32M1529	8	Pin, Hitch	
	J6A0282	4	Pontoon Assy	
2	J6A0338	1	Pontoon	
3	F6A1279	1	Pin	
	32M1529	1	Pin, Hitch	

Transmission Oil Cooler Installation



Parts List

0208

Transmission Oil Cooler Installation				
REF	PART NO.	QTY	DESCRIPTION	REMARKS
1	J9A0119	1	Cooler, Transmission Oil	
	128003004	4	Washer	
	127004003	4	Locknut	
2	1X 7829	1	Connector	
3	1X 8268	1	Elbow	
4	J8J0067	1	Hose Assy	
	1X 7744	1	Elbow	
5	1X 7375	1	Connector	
6	J6A0413	1	Hose Assy	
7	1X 7413	1	Tee	
	1X 7838	1	Cap	

Battery Specifications

Voltage	12 Volts
Cold Cranking Amps @ 0° F	1000 Amps
Length 12.93" (328.42mm)
Width 6.74" (171.2mm)
Height 9.29" (236.97mm)
Approximate Weight 58 lb (26.31kg)

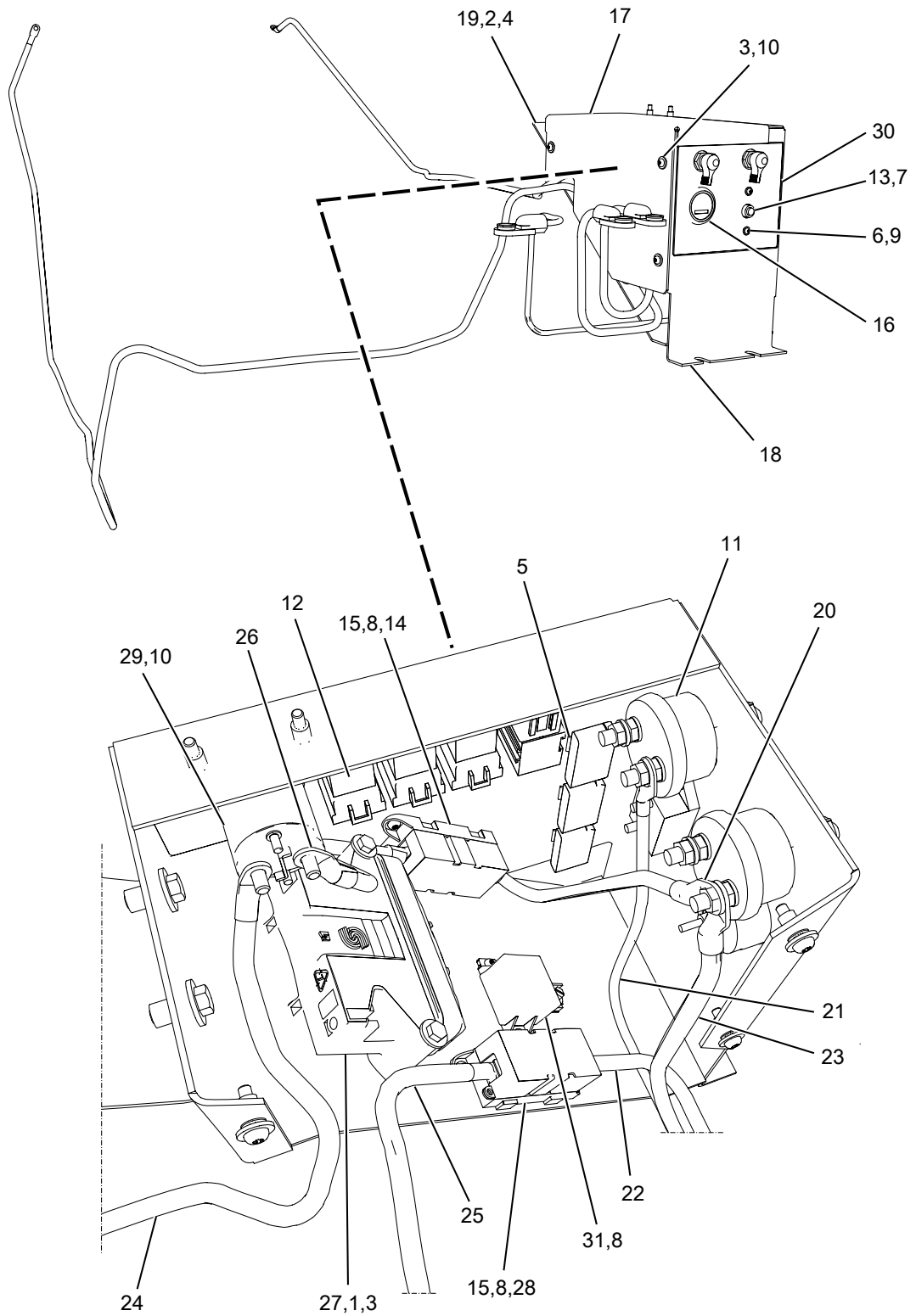
Parts List

0605

Battery Specifications

REF	PART NO.	QTY	DESCRIPTION	REMARKS
	J7R0069	1	Battery. 12 Volt Heavy Duty	

Power Panel Assy

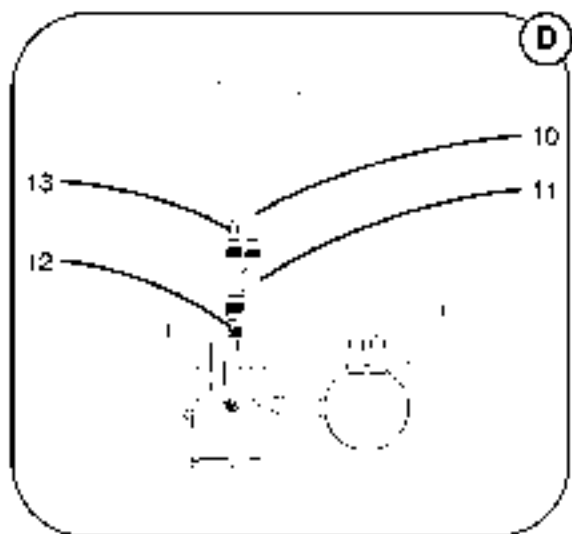
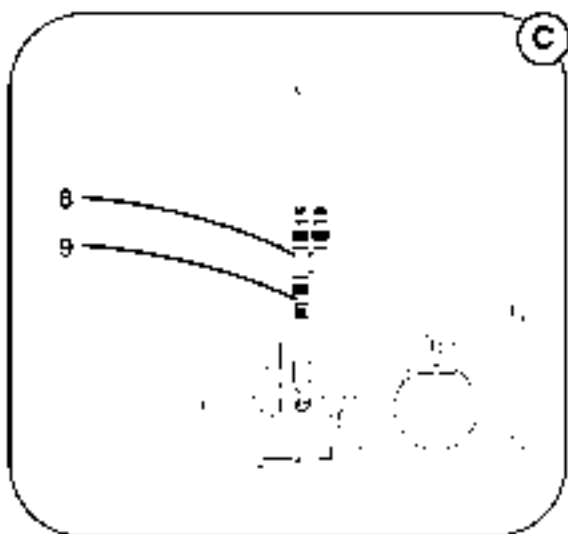
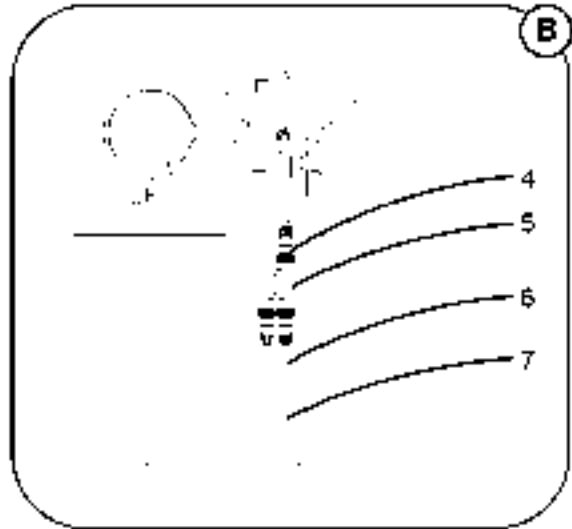
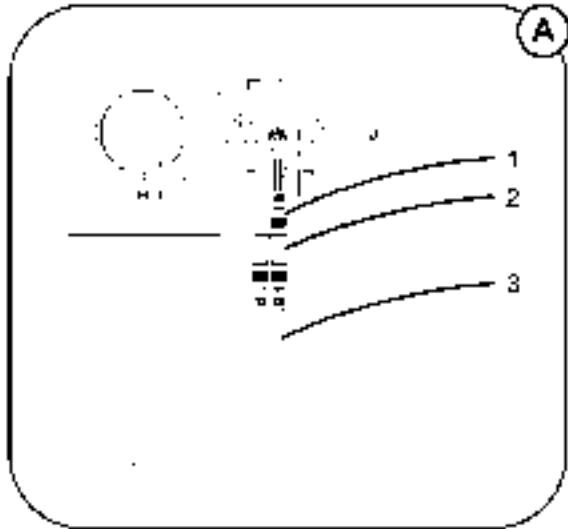
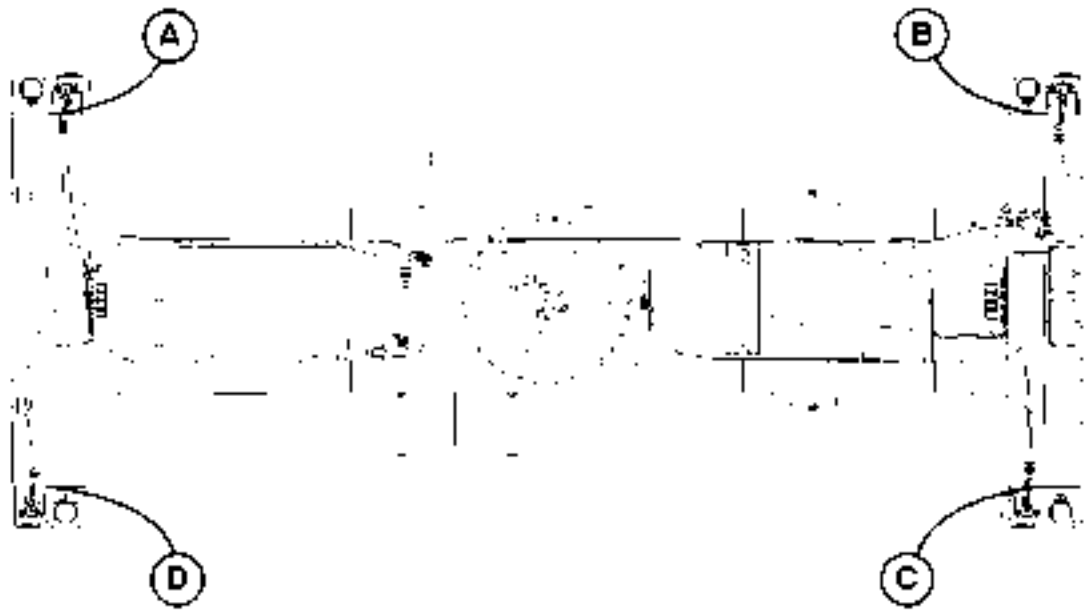


Parts List

0717

Power Panel Assy				
REF	PART NO.	QTY	DESCRIPTION	REMARKS
	J6R0167	1	Power Panel Assy	
1	126009009	2	•Capscrew	
2	126009013	2	•Capscrew	
3	128003001	5	•Washer	
4	128003004	2	•Washer	
5	155364001	3	•Clip	
6	1X 1776	2	•Washer	
7	1X 4638	2	•Locknut	
8	1X 7905	6	•Screw, Machine	
9	1X 7906	2	•Screw, Machine	
10	1X 8373	5	•Screw, Machine	
11	C4A0459	2	•Switch, Battery Disconnect	
12	D6R0346	4	•Relay, Sealed	
13	D7R0041	1	•Breaker, 105 Amp Circuit	
14	F8R0006	1	•Fuse, 125 Amp	
15	F8R0024	2	•Holder, Fuse	
16	J6R0087	1	•Meter, Hour	
17	J6R0145	1	•Sheet	
18	J6R0168	1	•Power Panel Box	
19	N4A0571	1	•Bracket	
20	N4R0252	1	•Heater Fuse Cable	
21	N4R0253	1	•Cable, Battery Disconnect - Negative	
22	N4R0270	1	•Cable, Alternator Fuse To Battery	
23	N4R0271	1	•Cable, Battery Disconnect- Positive	
24	N4R0272	1	•Cable, Air Intake Heater	
25	N4R0279	1	•Cable, Alternator - Positive	
26	S1R0069	1	•Cable, Heater Relay	
27	S1R0158	1	•Controller, Fan	
28	S2R0036	1	•Fuse, Mega - 250 Amp	
29	S2R0280	1	•Relay, 200 Amp	
30	S4P0010	1	•Label, Power Panel	
31	S5R0062	1	•Relay, 75 Amp	

Outrigger Position Sensor Installation

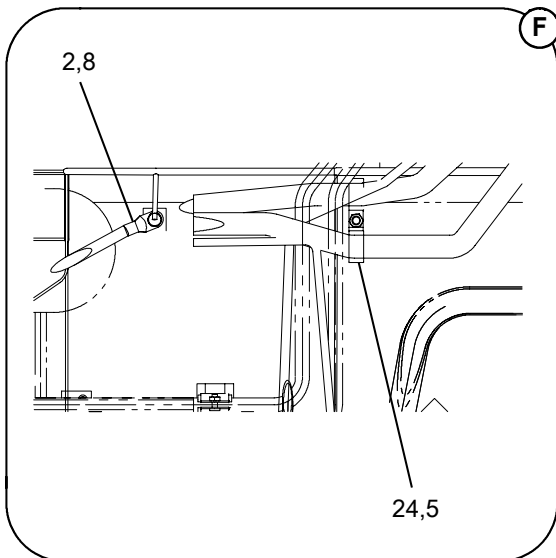
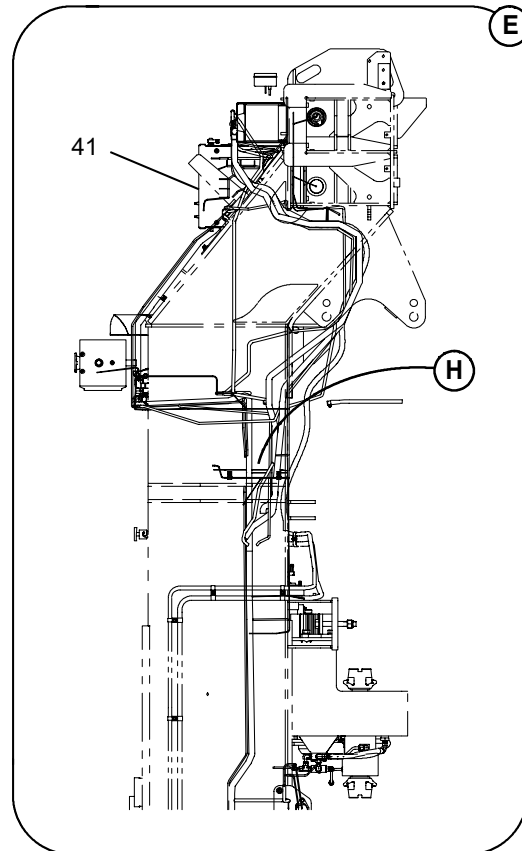
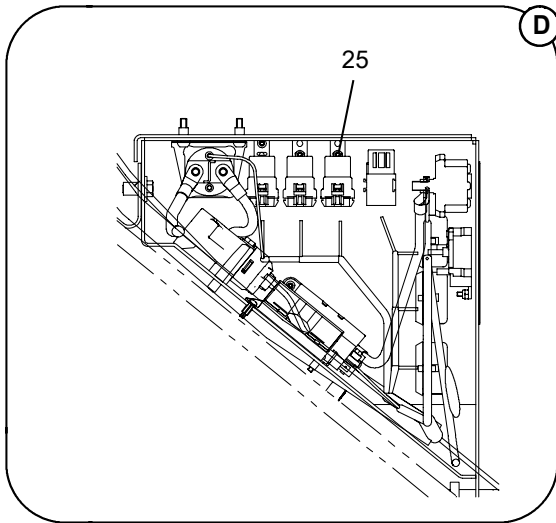
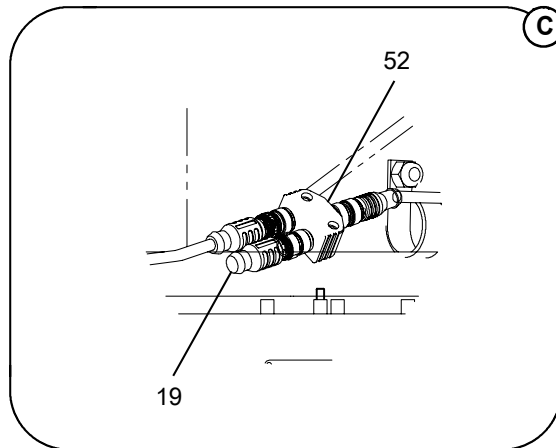
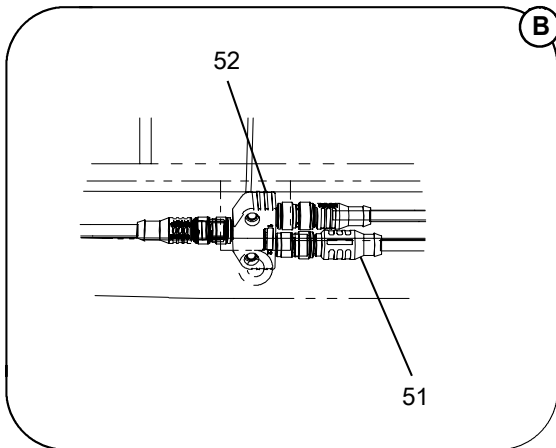


Parts List

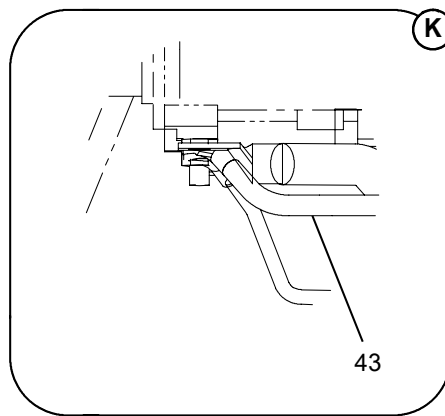
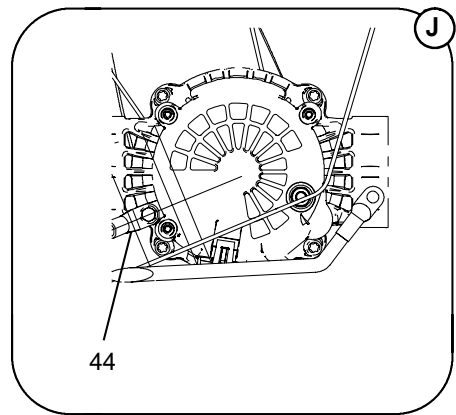
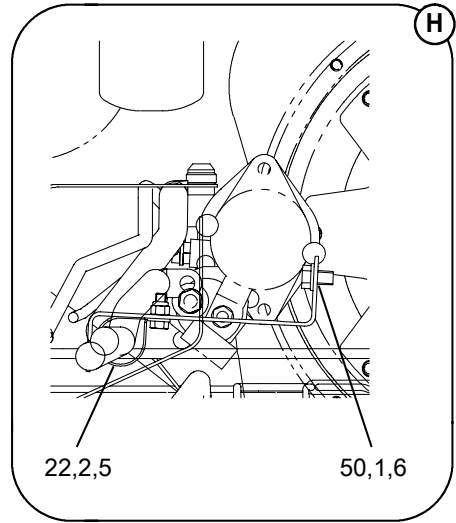
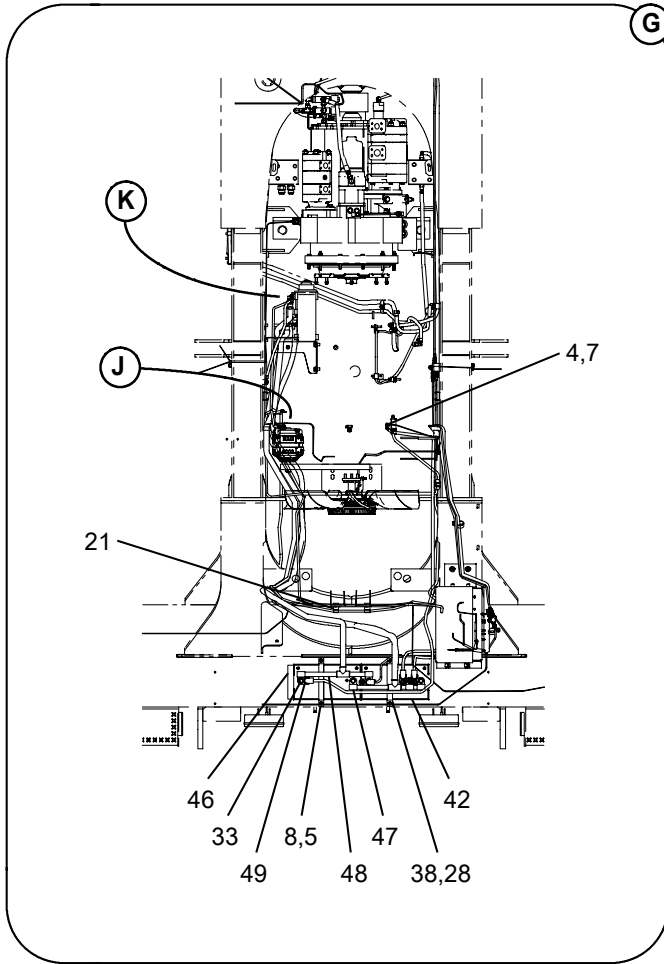
0711

Outrigger Position Sensor Installation				
REF	PART NO.	QTY	DESCRIPTION	REMARKS
1	J7R0218	1	Cable, DeviceNet	
2	S2R0078	1	Tee, H-Style MiniFast	
3	N4R0220	1	Cable, DeviceNet	
4	J7R0218	1	Cable, DeviceNet	
5	S2R0078	1	Tee, H-Style MiniFast	
6	N4R0221	1	Cable, DeviceNet	
7	N4R0223	1	Cable, DeviceNet	
8	S2R0078	1	Tee, H-Style MiniFast	
9	J7R0218	1	Cable, DeviceNet	
10	156557001	1	Terminal	
11	S2R0078	1	Tee, H-Style MiniFast	
12	J7R0218	1	Cable, DeviceNet	
13	N4R0221	1	Cable, DeviceNet	
	71J0005	25	Tie, Cable - Not Shown	

Carrier Wiring



Carrier Wiring



Parts List

0717

Carrier Wiring				
REF	PART NO.	QTY	DESCRIPTION	REMARKS
1	126004024	2	Capscrew	
2	126009013	2	Capscrew	
3	126009014	3	Capscrew	
4	127003007	1	Locknut	
5	127004003	21	Locknut	
6	128002001	2	Washer	
7	128002006	1	Washer	
8	128003003	8	Washer	
9	128003004	6	Washer	
10	155065003	3	Plug	
11	155110001	1	Connector	
12	155135001	1	Lock, Secondary	
13	155193001	1	Plug, Sealing	
14	155285002	2	Nut	
15	155286002	2	Lockwasher	
16	155323001	3	Mount, Fastener	
17	155463001	3	Receptacle	
18	155468001	3	Lock, Wedge	
19	155556002	1	Terminating Resistor	
20	1X 5687	2	Clamp	
21	1X 5790	2	Clamp	
22	1X 6136	1	Clamp	
23	1X 6407	1	Clamp	
24	1X 6408	4	Clamp	
25	1X 7905	4	Screw, Machine	
26	39J0218	4	Clamp	
27	71J0005	40	Tie, Cable	
28	824033015	2	Weatherstrip	0.55'
29	D3R0138	2	Light, Drive	
30	E9R0005	2	Grommet	
31	E9R0008	2	Light, Yellow Turn/Park	
32	F2R0049	2	Harness, Pigtail	
33	F3R0042	5	Nut	
34	F7R0083	2	Light, Yellow Marker	
35	F7R0084	4	Grommet, Light	

Parts List

0717

Carrier Wiring				
REF	PART NO.	QTY	DESCRIPTION	REMARKS
36	F7R0085	2	Light, Red Marker	
37	F7R0088	4	Harness, Marker Light Wire	
38	J6R0027	2	Bracket, Battery Hold-Down	
39	J6R0060	1	Taillight	
40	J6R0061	1	Taillight	
41	J6R0167	1	Power Panel Assy - See 01-066-332.00	
42	J7R0069	2	Battery Specifications - See 01-066-212.00	
43	J8R0033	1	Cable, Engine Ground	
44	J8R0197	1	Cable, Alternator - Negative	
45	L8R0418	1	Bracket	
46	N4R0049	1	Mat, Battery	
47	N4R0246	1	Cable, Battery - Positive	
48	N4R0247	1	Cable, Battery - Negative	
49	N4R0269	1	Cable, Engine Ground	
50	S2R0028	1	Bracket	
51	S2R0147	1	Cable, PROFIBUS	
52	S2R0149	2	Splitter, Cable	
53	S4R0021	1	Cable, PROFIBUS	
54	S4R0109	1	Harness, Carrier Wire	

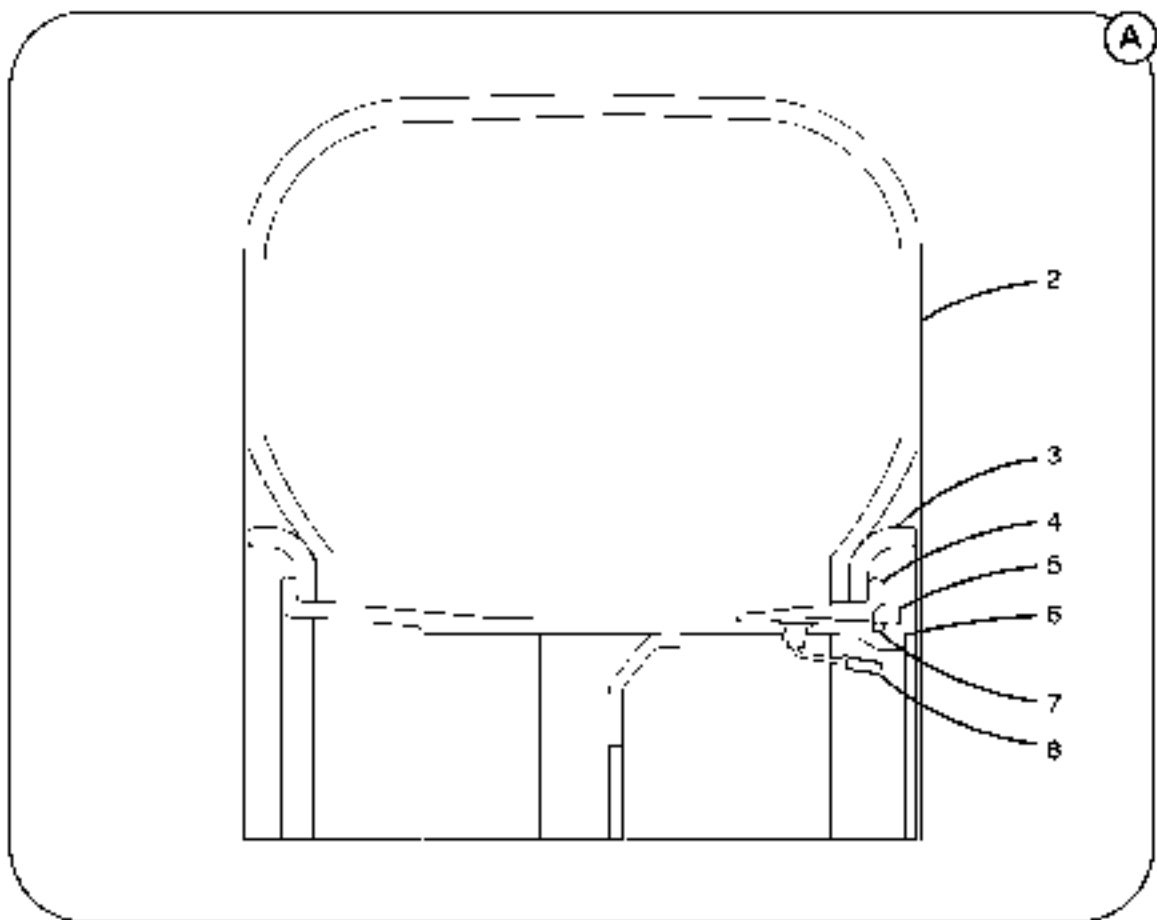
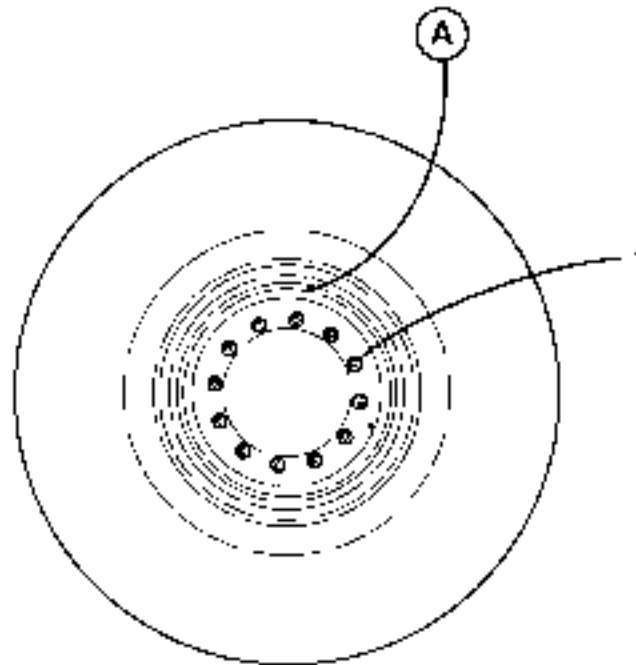
Parts List

0717

Carrier Wiring

Notes:

Tire & Wheel Assy

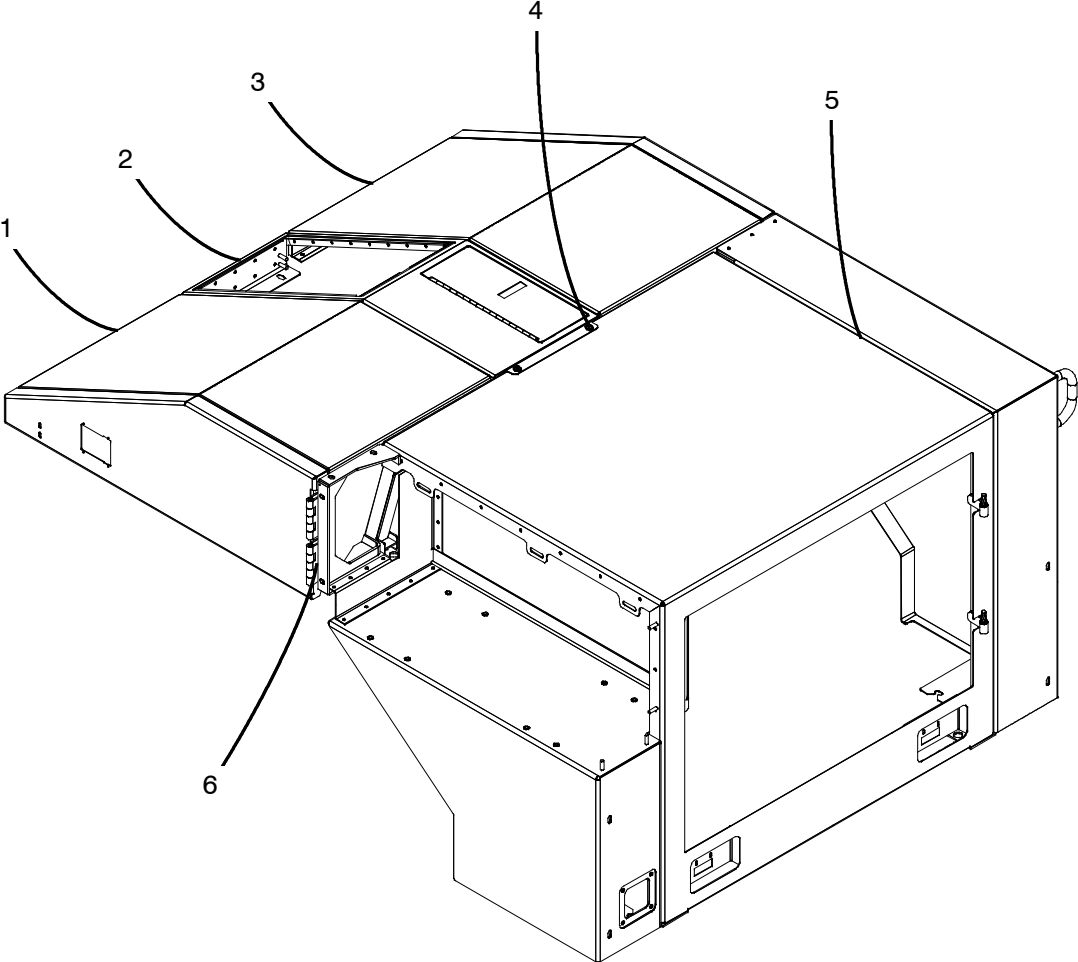


Parts List

0809

Tire & Wheel Assy				
REF	PART NO.	QTY	DESCRIPTION	REMARKS
1	128003009	48	Washer	
	F7A0492	48	Nut, Wheel	
	J6A0509	4	Tire & Wheel Assy	
2	J6A0508	1	Tire	
3	58A0037	2	Flange, Side	KA
4	47A1437	1	Ring, Bead Seat	KA
5	47A1436	1	Ring, Lock	KA
6	F7A0849	1	Wheel	KA
7	47A1435	1	O-ring	
8	45A0172	1	Valve, Tire	
	F7A0850	1	Kit, Wheel - All Items Marked KA	

Hood Assy

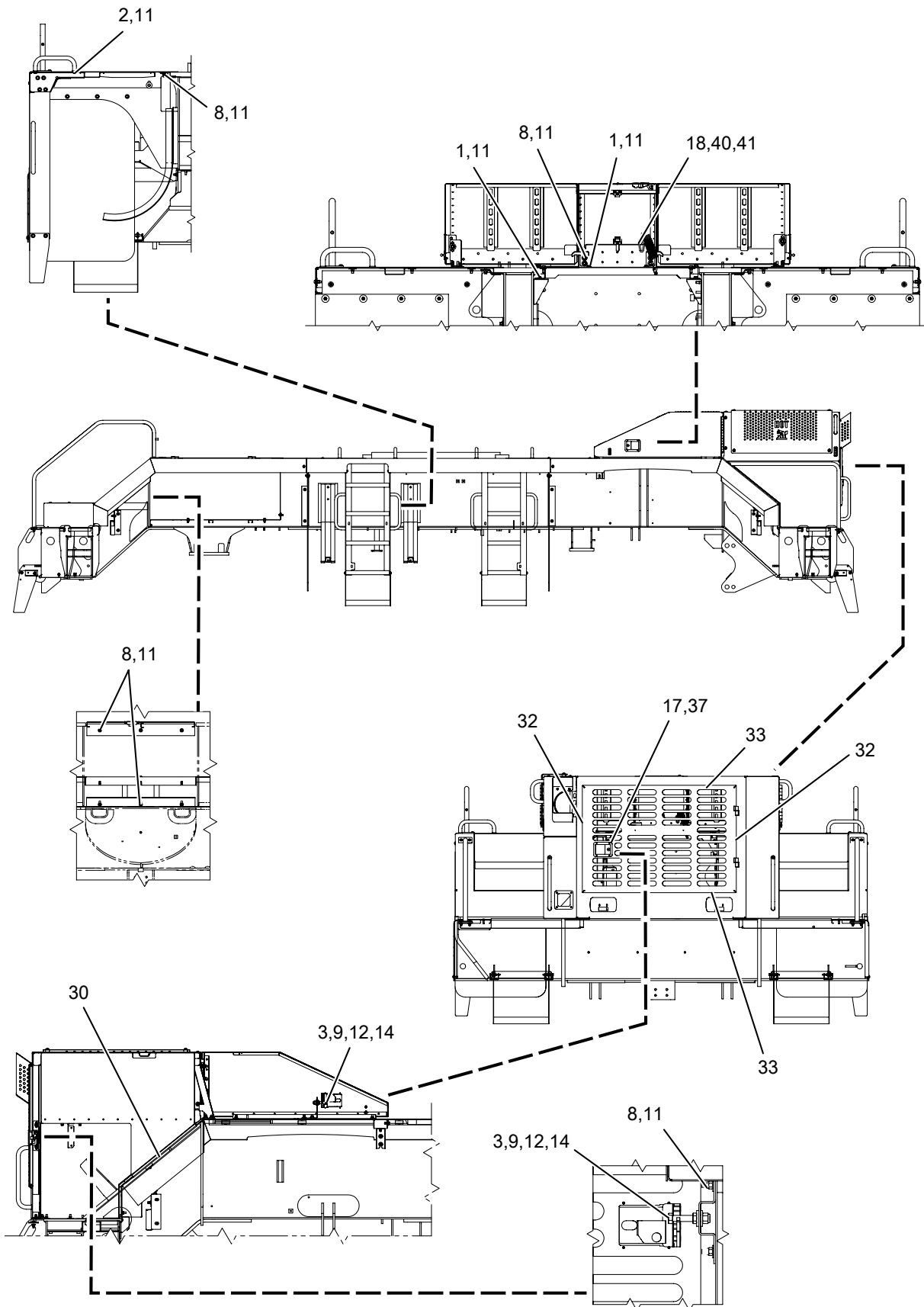


Parts List

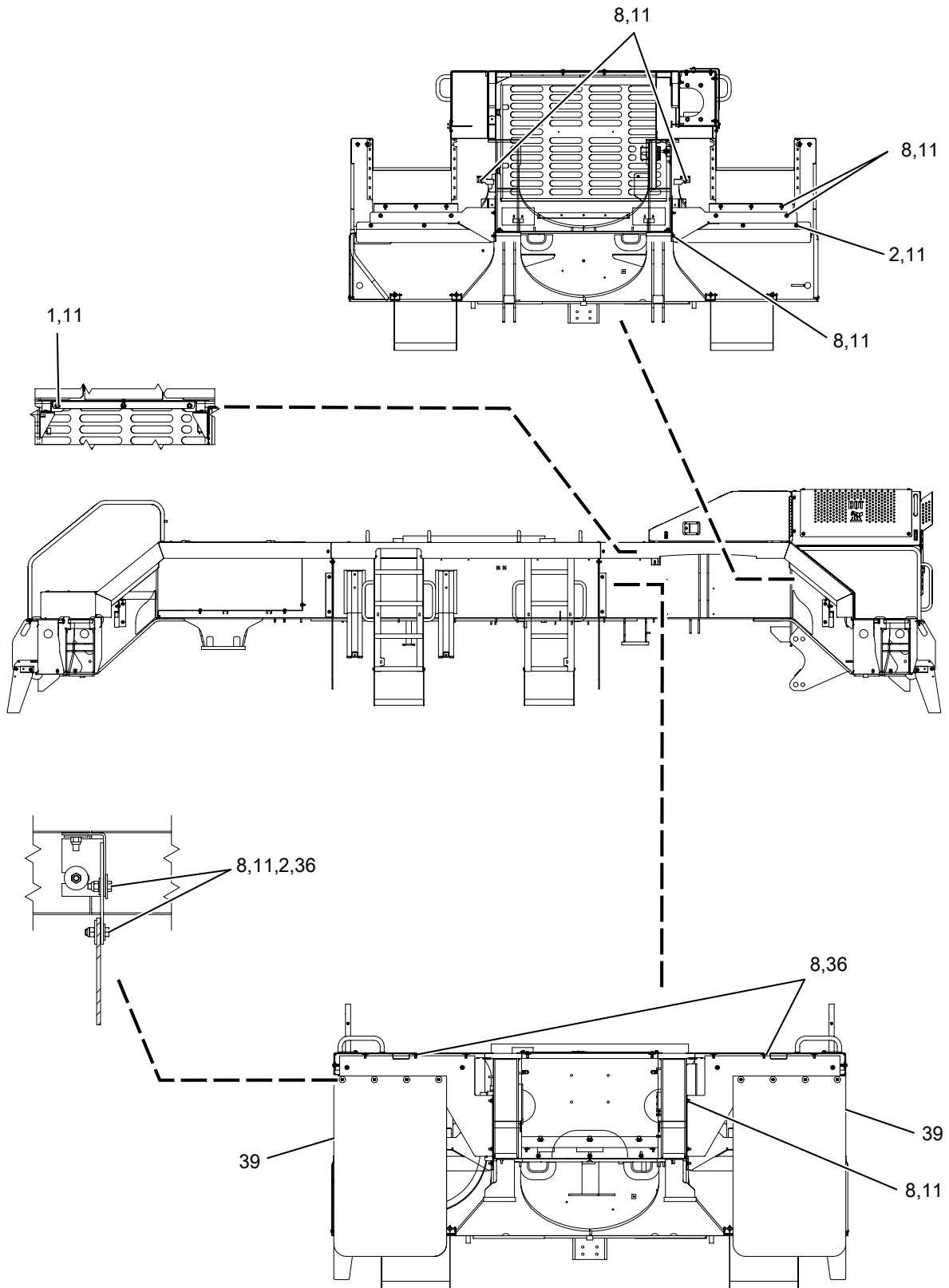
0714

Hood Assy				
REF	PART NO.	QTY	DESCRIPTION	REMARKS
	J8A1153	1	Hood Assy	
1	J9A1059	1	Door, Left Hood	
2	J9A1097	1	Section, Hood Door	
3	J9A1056	1	Door, Right Hood	
4	126018002	2	Screw, Machine	
	C5A1044	2	Washer	
5	J9A1152	1	Hood	
6	126009014	8	Capscrew	
	128003004	8	Washer	

Carrier Sheet Metal Installation



Carrier Sheet Metal Installation



Parts List

0717

Carrier Sheet Metal Installation				
REF	PART NO.	QTY	DESCRIPTION	REMARKS
1	126009013	24	Capscrew	
2	126009014	71	Capscrew	
3	126009034	3	Capscrew	
4	126009096	8	Capscrew	
5	126018002	38	Screw, Machine	
6	127004001	4	Locknut	
7	127004002	8	Locknut	
8	127004003	202	Locknut	
9	127004005	3	Locknut	
10	128003002	16	Washer	
11	128003004	257	Washer	
12	128003006	6	Washer	
13	18M0273	8	Pin, Lock	
14	1X 0183	3	Nut, Jam	
15	1X 1776	8	Washer	
16	1X 4638	8	Locknut	
17	1X 6199	12	Rivet	
18	1X 6712	1	Screw	
19	1X 7911	8	Screw, Machine	
20	28A5334	3	Latch, Lever	
21	46L0026	28	Washer, Nylon	
22	59A1750	1	Lock, Flush	
	0001250	1	•Key	
23	65A0568	24	Retainer, Nut	
24	69A0261	4	Pin, Hinge	
25	824033015	2	Weatherstrip	19.0"
26	824033015	2	Weatherstrip	26.0"
27	824033015	2	Weatherstrip	31.0"
28	824033015	2	Weatherstrip	36.0"
29	824047001	2	Weatherstrip	8.30"
30	824047001	1	Weatherstrip	20.5"
31	824047001	2	Weatherstrip	23.0"
32	824047001	2	Weatherstrip	30.0"
33	824047001	2	Weatherstrip	44.0"
34	C5A1044	46	Washer	

Parts List

0717

Carrier Sheet Metal Installation

REF	PART NO.	QTY	DESCRIPTION	REMARKS
35	F6A0076	8	Screw	
36	F7A0658	40	Washer	
37	F7A0778	3	Latch, Door	
	3A 18945	1	•Key	
38	J6A0668	1	Carrier Sheet Metal Kit - See 01-071-538.00	
39	J9A0230	4	Flap, Mud	
40	J9A0967	1	Lanyard	
41	J9A0968	1	Carabiner	
42	J9A0969	2	Catch, 4 Way	

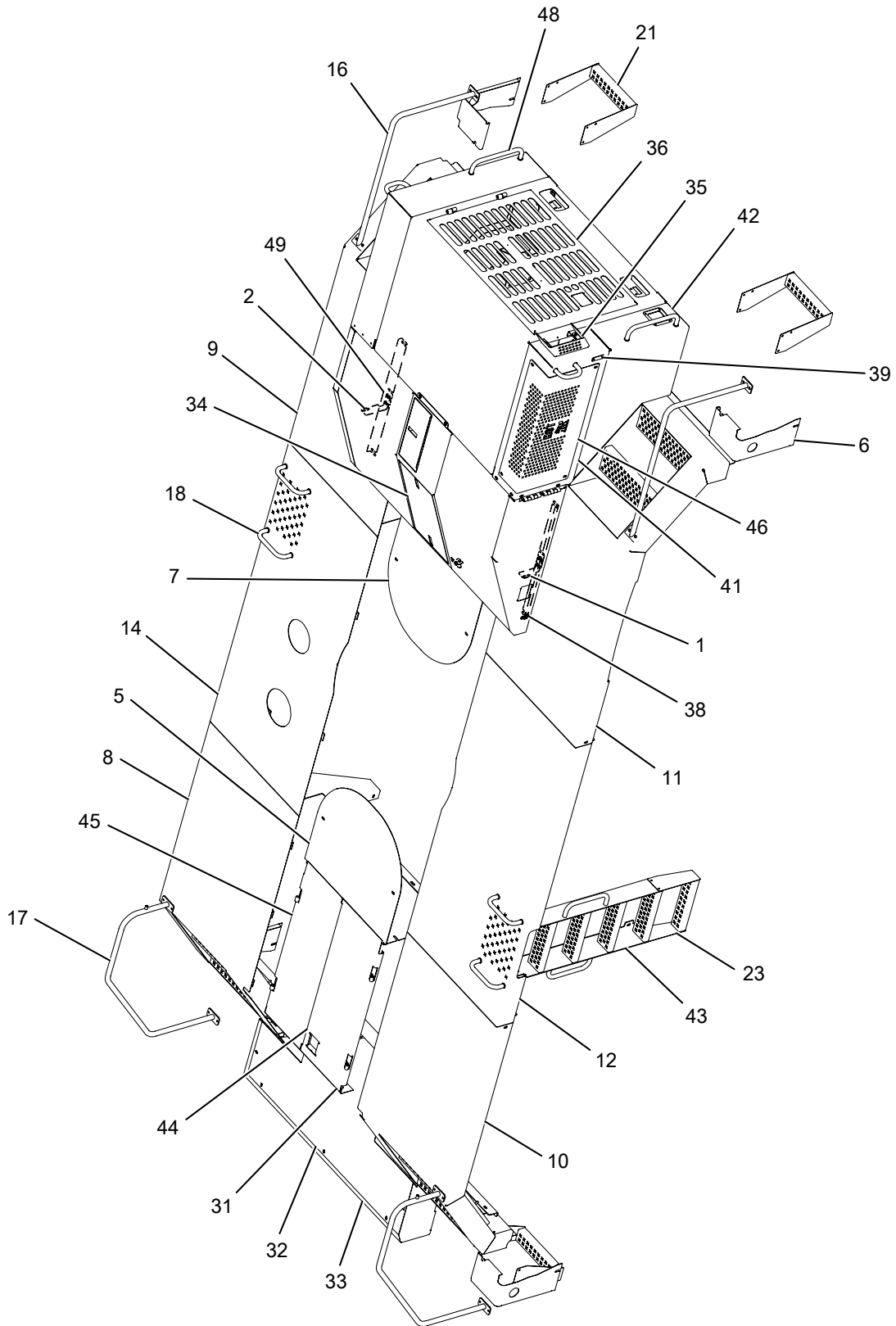
Parts List

0717

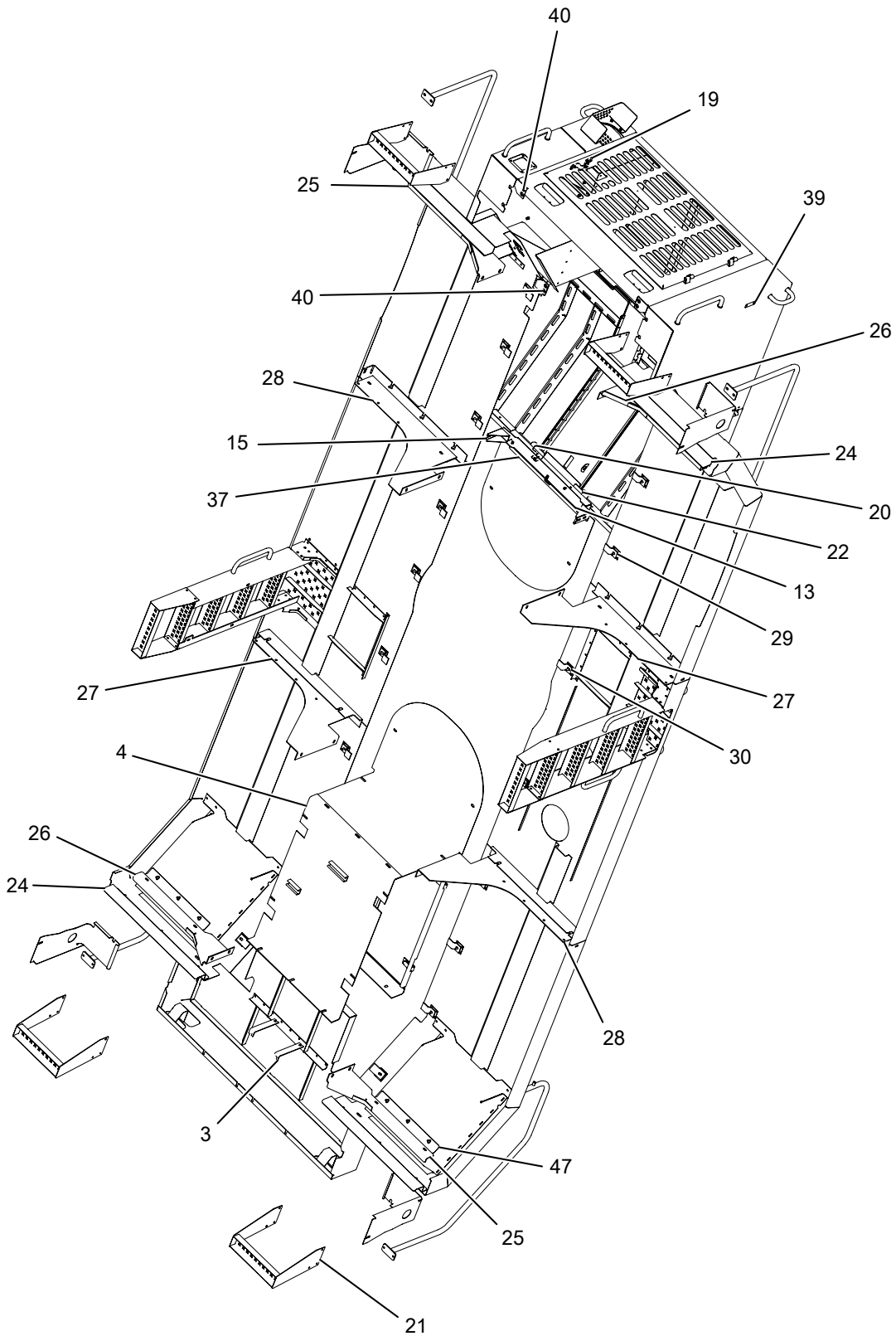
Carrier Sheet Metal Installation

Notes:

Carrier Sheet Metal Kit



Carrier Sheet Metal Kit



Parts List

0717

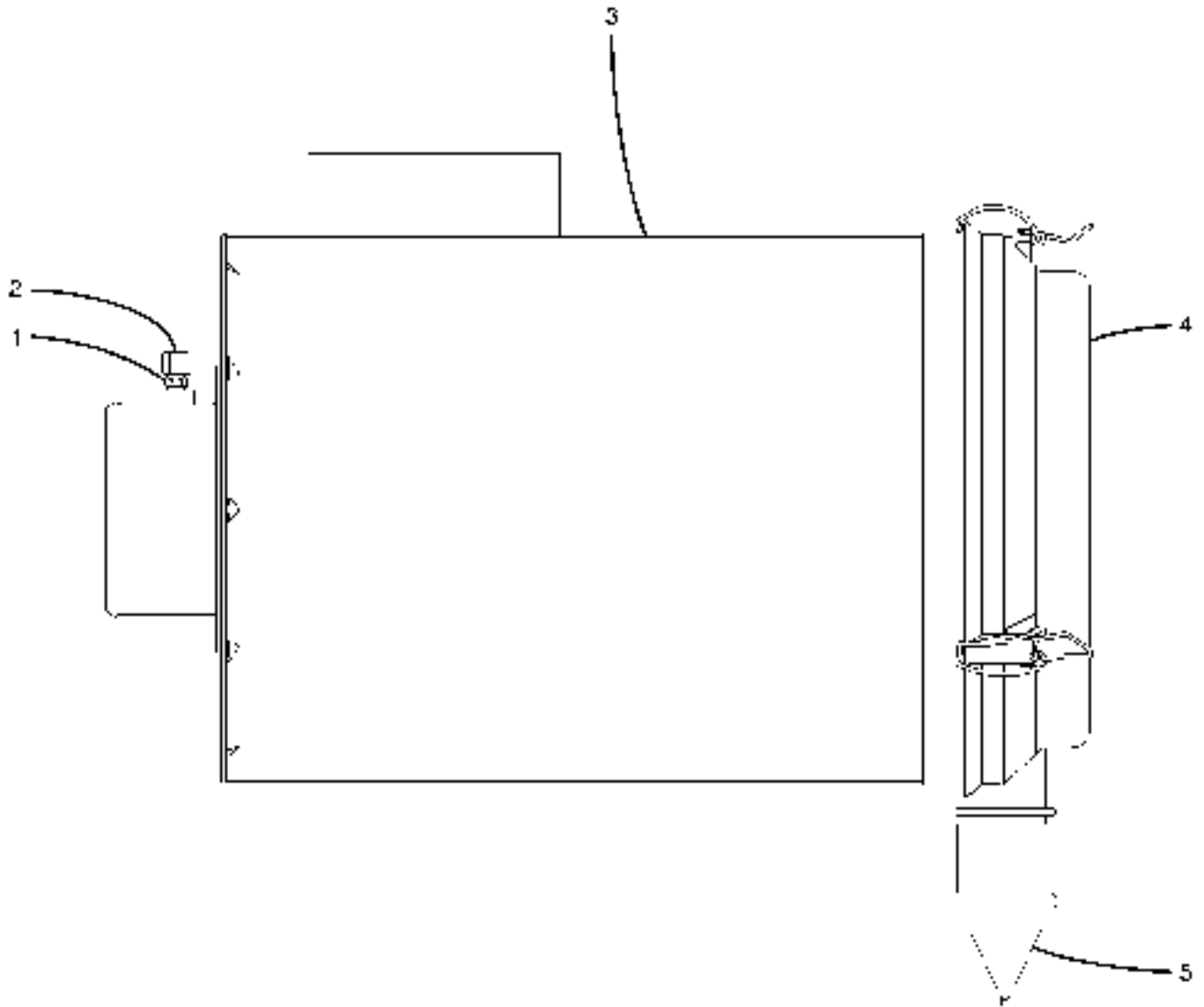
Carrier Sheet Metal Kit				
REF	PART NO.	QTY	DESCRIPTION	REMARKS
	J6A0668	1	Carrier Sheet Metal Kit	
1	E8A0365	1	•Bracket	
2	E8A0426	1	•Bracket	
3	J6A0221	2	•Bracket	
4	J6A0304	1	•Tub, Storage	
5	J6A0305	1	•Cover	
6	J6A0422	4	•Bracket, Side Marker Light	
7	J6A0541	1	•Sheet	
8	J6A0546	1	•Right Front Fender	
9	J6A0548	1	•Right Rear Fender	
10	J6A0550	1	•Left Front Fender	
11	J6A0552	1	•Left Rear Fender	
12	J6A0557	1	•Left Center Fender	
13	J6A0569	1	•Sheet	
14	J6A0637	1	•Right Center Fender	
15	J6A0646	2	•Hood Bracket	
16	J9A0245	2	•Handle, Grab	
17	J9A0247	2	•Handle, Grab	
18	J9A0250	4	•Handle, Grab	
19	J9A0840	1	•Bracket, Door Striker	
20	J9A0872	1	•Sheet	
21	J9A0875	4	•Hanger, Step	
22	J9A0877	1	•Sheet	
23	J9A0881	2	•Step, Hanger	
24	J9A0888	4	•Guard, Fender	
25	J9A0889	2	•Bracket	
26	J9A0892	2	•Bracket	
27	J9A0894	2	•Bracket	
28	J9A0895	2	•Bracket	
29	J9A0897	16	•Sheet	
30	J9A0898	5	•Bracket	
31	J9A0901	1	•Bracket	
32	J9A0902	1	•Cover, Front	
33	J9A0907	1	•Housing, Front Light	
34	J9A0962	1	•Sheet	

Parts List

0717

Carrier Sheet Metal Kit				
REF	PART NO.	QTY	DESCRIPTION	REMARKS
35	J9A1027	1	•Guard, Heat	
36	J9A1030	1	•Door, Grille	
37	J9A1037	1	•Bracket	
38	J9A1071	2	•Cover	
39	J9A1072	2	•Cover	
40	J9A1100	4	•Plate	
41	J9A1106	1	•Cover, DPF	
42	J9A1153	1	•Hood Assy - See 01-071-482.00	
43	J9A1242	2	•Ladder, Side	
44	N4A0537	1	•Door, Left Storage	
45	N4A0540	1	•Door, Right Storage	
46	N4A0601	1	•Sheet	
47	N4A0662	4	•Sheet	
48	N4A0690	2	•Handle, Grab	
49	N4A0774	2	•Bracket	

Air Cleaner Assy

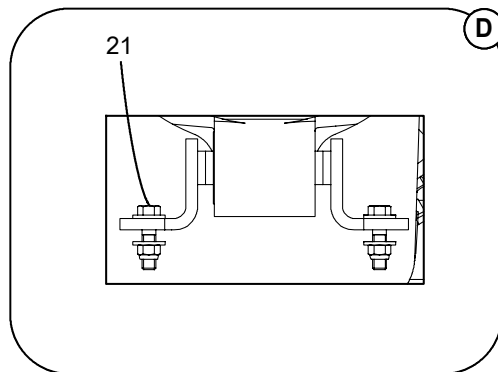
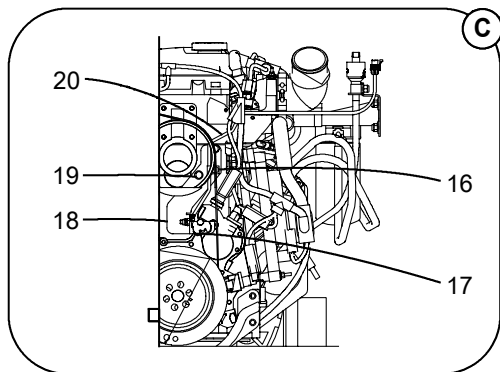
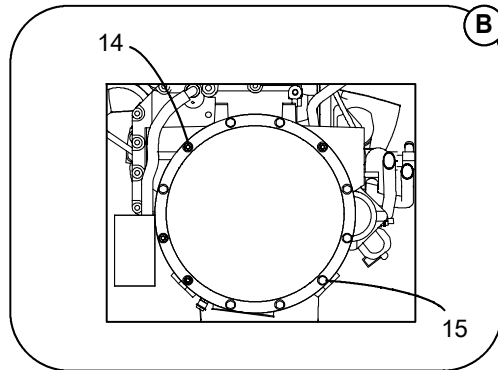
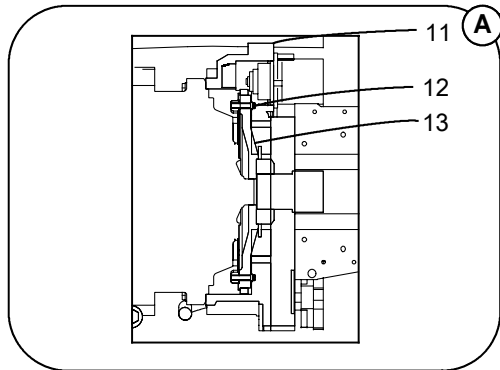
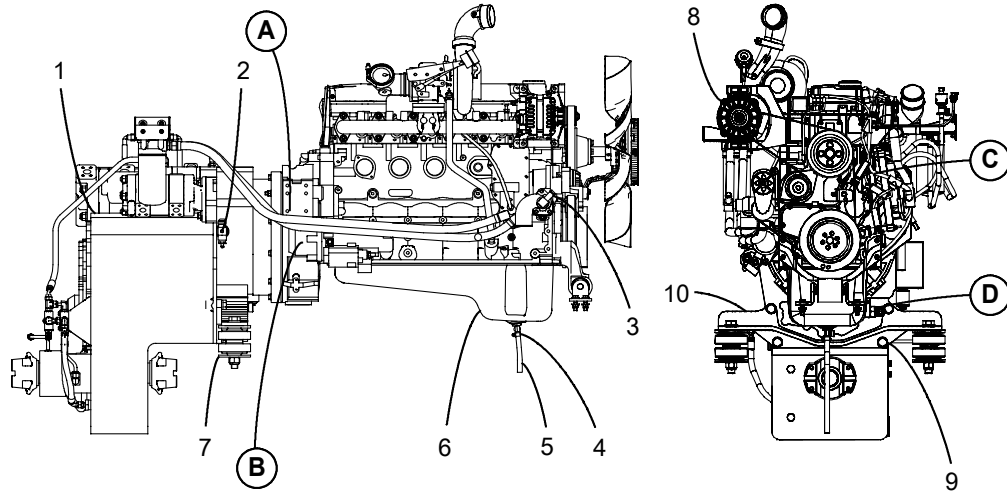


Parts List

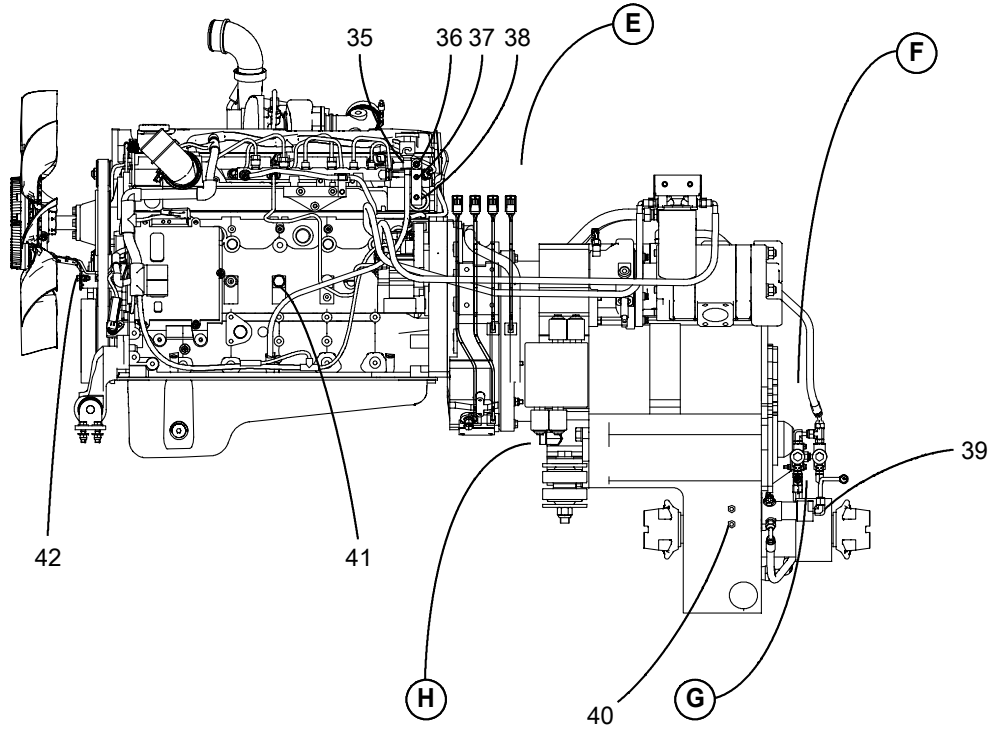
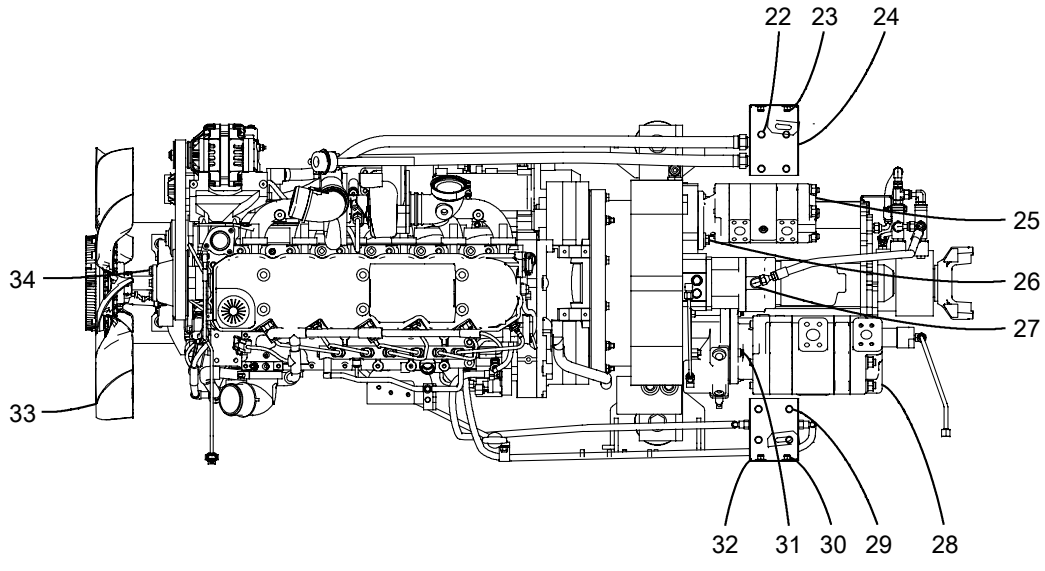
1002

Air Cleaner Assy				
REF	PART NO.	QTY	DESCRIPTION	REMARKS
	71A1210	1	Air Cleaner Assy	
	71A1461	1	Air Cleaner Assy	
1	9A 20140	1	Adaptor	
2	9A 20142	1	Cap	
3	3A 22375	1	Body	
	E3H0146	1	Element. Primary - Outer	
	E3H0147	1	Element. Safety - Inner	F1
4	3A 21675	1	Cover Assy	
	3A 23267	3	Latch	
	3A 21674	1	Gasket	
5	3A 19858	1	Valve. Vacuator	
	F1		Used Only On 71A1210	

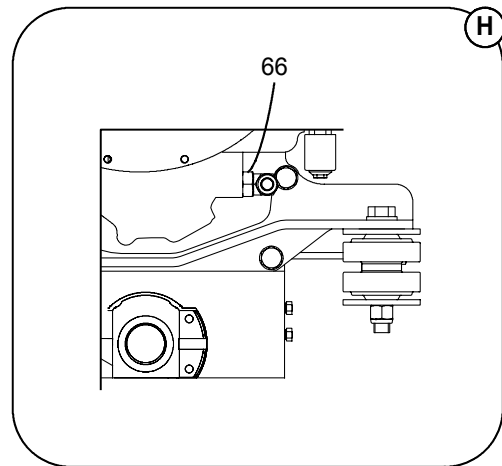
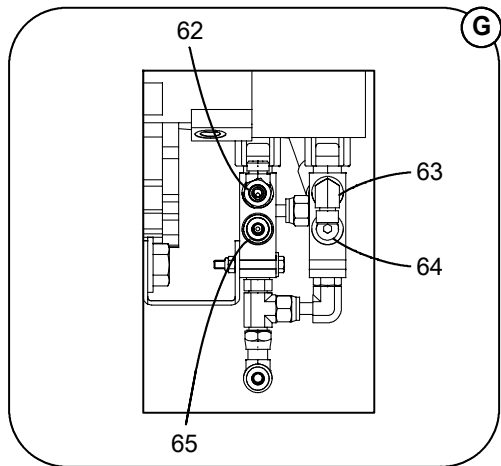
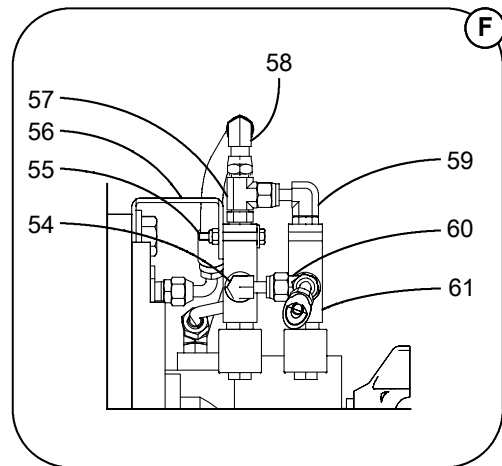
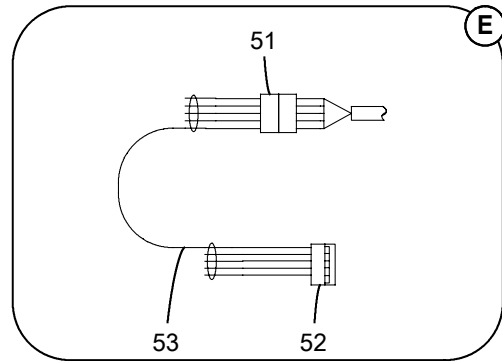
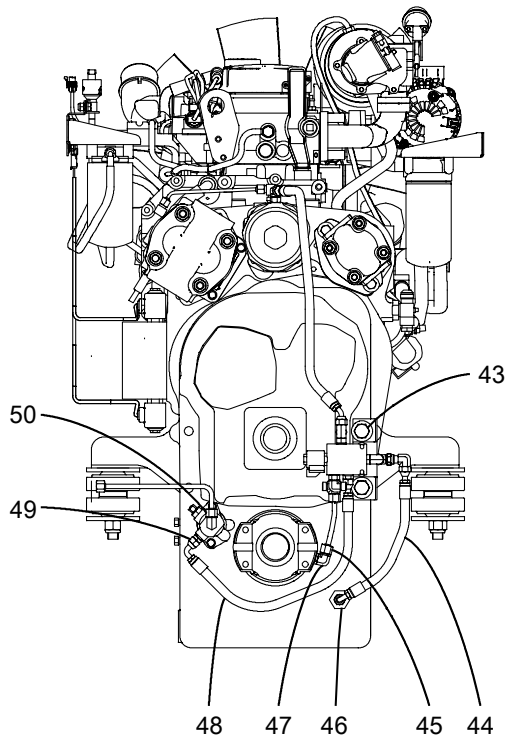
Engine, Transmission, & Pumps



Engine, Transmission, & Pumps



Engine, Transmission, & Pumps



Parts List

0517

Engine, Transmission, & Pumps				
REF	PART NO.	QTY	DESCRIPTION	REMARKS
1	N4A0461	1	Main Transmission Assy - See 01-018-165.00	
2	47R0122	1	Sender, Temperature	
	1X 0826	1	Plug, Pipe	
3	1X 6222	1	Stem, Hose	
4	1X 5056	1	Clamp	
5	822017005	1	Hose	
6	REF1	1	Engine	
7	1X 7099	2	Capscrew	
	1X 3650	2	Washer	
	N4A0642	4	Washer, Rebound	
	H9A0727	4	Mount, Engine	
	1X 4990	2	Locknut	
8	T6A0170	1	Alternator	
9	1X 4332	4	Capscrew	
	1X 5188	4	Washer	
10	J9A0123	1	Mount, Transmission	
11	REF		Flywheel Housing	
12	1X 2195	8	Capscrew	
13	REF2		Engine Flywheel	
14	N4A0556	4	Stud	
	128001002	4	Washer	
	127003003	4	Locknut	
15	126004117	8	Capscrew	
	128001002	8	Washer	
16	1X 6907	1	Clamp	
	126006012	1	Capscrew	
17	1X 6907	1	Clamp	
	126009095	1	Capscrew	
18	N4A0453	1	Bracket	
19	126006012	2	Capscrew	
	128001003	2	Washer	
20	REF3		Fan Clutch Harness	
21	1X 6706	4	Capscrew	
	128003004	8	Washer	
	1X 6952	4	Locknut	

Parts List

0517

Engine, Transmission, & Pumps				
REF	PART NO.	QTY	DESCRIPTION	REMARKS
22	126004017	4	Capscrew	
	128002006	4	Washer	
23	128003004	2	Washer	
	127004003	2	Locknut	
24	N4A0641	1	Bracket	
25	J6J0202	1	2 Section Gear Pump Assy - See 01-081-112.00	
	46A1329	1	Gasket	
26	18A2955	2	Capscrew	
	128003006	2	Washer	
27	1X 7385	1	Elbow	
	P9J0156	1	Hose Assy	
28	J6J0201	1	2 Section Gear Pump Assy - See 01-081-113.00	
	32H0245	1	Gasket	
29	126004017	4	Capscrew	
	128002006	4	Washer	
30	128003004	2	Washer	
	127004003	2	Locknut	
31	1X 2685	4	Capscrew	
32	N4A0835	1	Bracket	
33	N4A0430	1	Kit, Fan Clutch	
34	126006004	4	Capscrew	
	128002007	4	Washer	
35	1X 5487	1	Clamp	
36	126009012	1	Capscrew	
	128003004	1	Washer	
	127004003	1	Locknut	
37	128003004	2	Washer	
	127004003	2	Locknut	
38	N4A0650	1	Bracket	
39	1X 7460	1	Elbow	
40	J9A0111	2	Gauge, Sight	
41	R8R0149	1	Switch, Pressure	
42	126009095	1	Capscrew	
43	1X 6906	2	Capscrew	
	128003009	2	Washer	

Parts List

0517

Engine, Transmission, & Pumps				
REF	PART NO.	QTY	DESCRIPTION	REMARKS
44	69J0274	1	Hose Assy	
45	J9J0062	1	Tube Assy	
46	1X 6577	1	Bushing	
	1X 8265	1	Connector	
47	1X 7385	1	Elbow	
48	D7J0174	1	Hose Assy	
49	1X 7446	1	Connector	
50	J9J0061	1	Tube Assy	
51	155125001	1	Connector	
	155133001	1	Lock, Secondary	
	155100001	1	Terminal	
	155100002	4	Terminal	
	155064005	5	Seal, Cable	
52	155129001	1	Connector	
	155130001	1	Terminal, Bus-Bar	
	155131001	1	Cover, Connector	
	155153001	1	Lock, 6 Way	
	155073003	5	Terminal	
	155064006	4	Seal, Cable	
	155064001	1	Seal, Cable	
	155065001	1	Plug	
53	829025001	1	Wire, 16 Gauge Black	
54	1X 7559	1	Elbow	
55	126009007	2	Capscrew	
	128003001	2	Washer	
	127004001	2	Locknut	
56	J9A0146	1	Bracket	
57	1X 7398	1	Tee	
58	1X 7404	1	Elbow	
59	1X 7559	1	Elbow	
60	1X 7398	1	Tee	
61	N4J0069	2	4 Way Solenoid Valve Assy - See 01-043-065.00	
62	1X 7398	1	Tee	
63	1X 7385	1	Elbow	
64	1X 4526	1	Plug	

Parts List

0517

Engine, Transmission, & Pumps				
REF	PART NO.	QTY	DESCRIPTION	REMARKS
65	1X 7368	1	Connector	Not Shown
66	1X 7390	1	Elbow	
	71J0005	1	Tie, Cable	

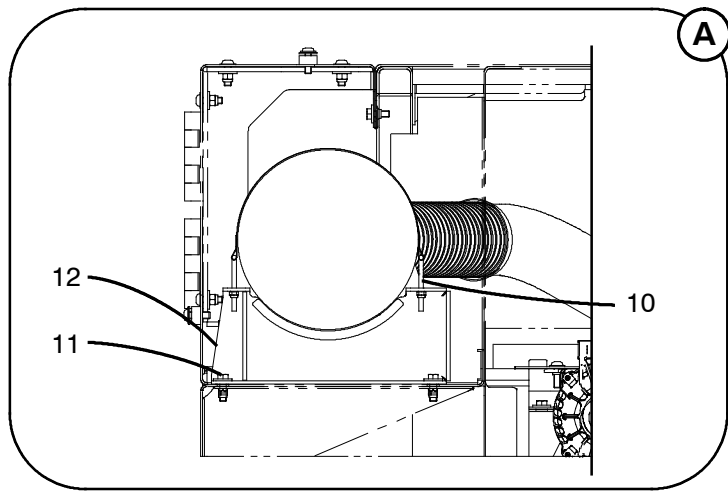
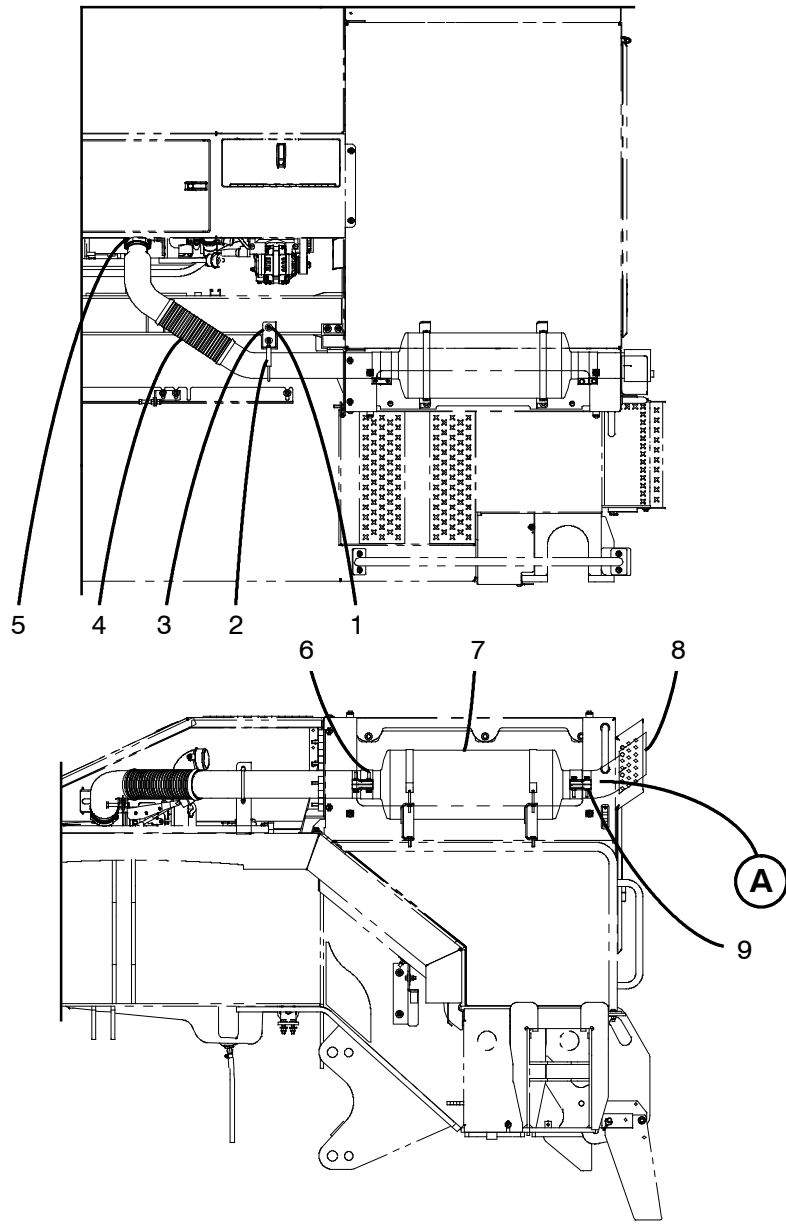
Parts List

0517

Engine, Transmission, & Pumps

Notes:

Muffler Installation

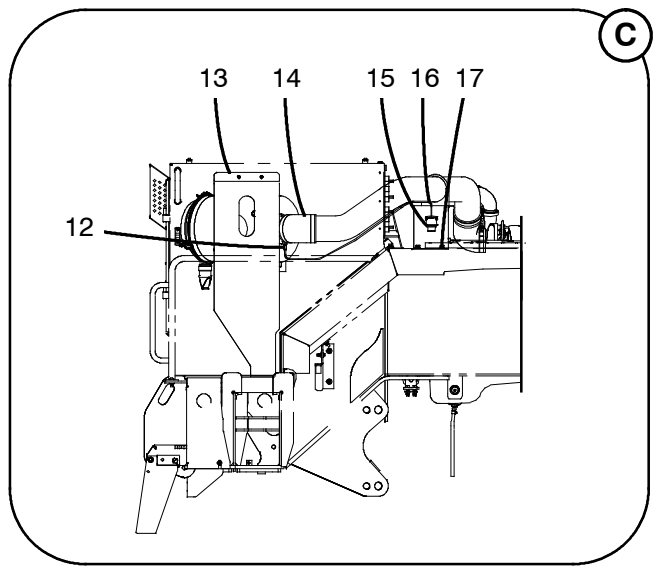
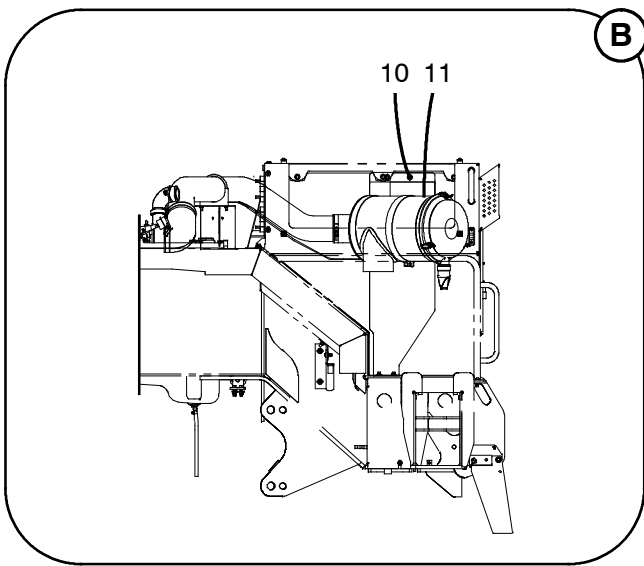
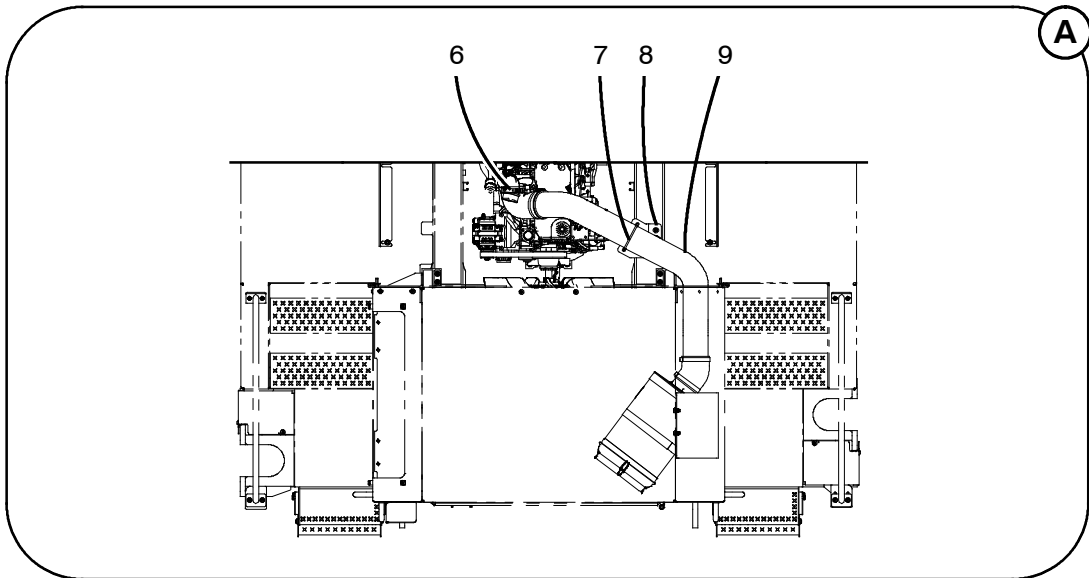
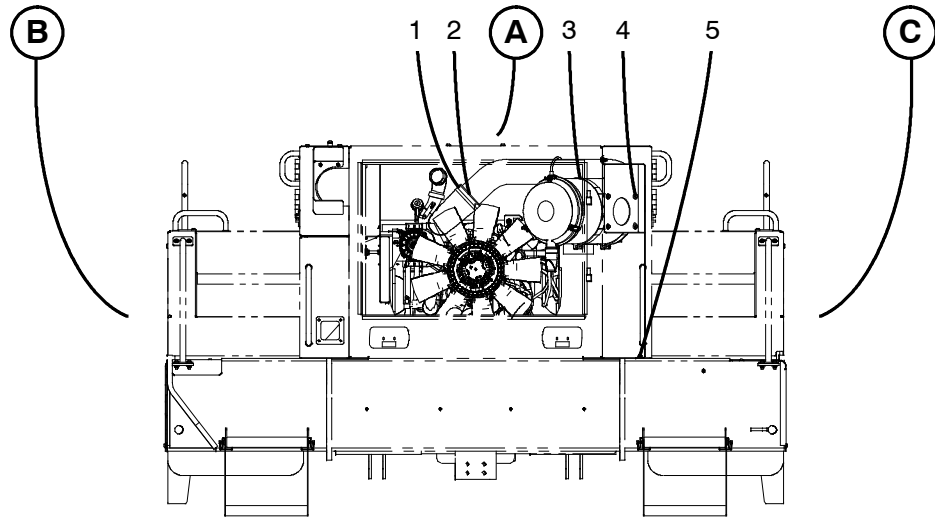


Parts List

0614

Muffler Installation				
REF	PART NO.	QTY	DESCRIPTION	REMARKS
1	128003004	2	Washer	
	127004003	2	Locknut	
2	1X 8576	1	Clamp	
3	J9A0932	1	Bracket	
4	J6A0534	1	Tube, Exhaust	
5	1X 7525	1	Clamp	
6	S1H0186	1	Clamp	
7	N4A0781	1	Muffler	
8	N4A0730	1	Tip, Exhaust	
9	S1H0186	1	Clamp	
10	J8H0110	2	Strap	
11	126009014	4	Capscrew	
	128003004	4	Washer	
12	N4A0476	2	Bracket	

Air Cleaner Installation

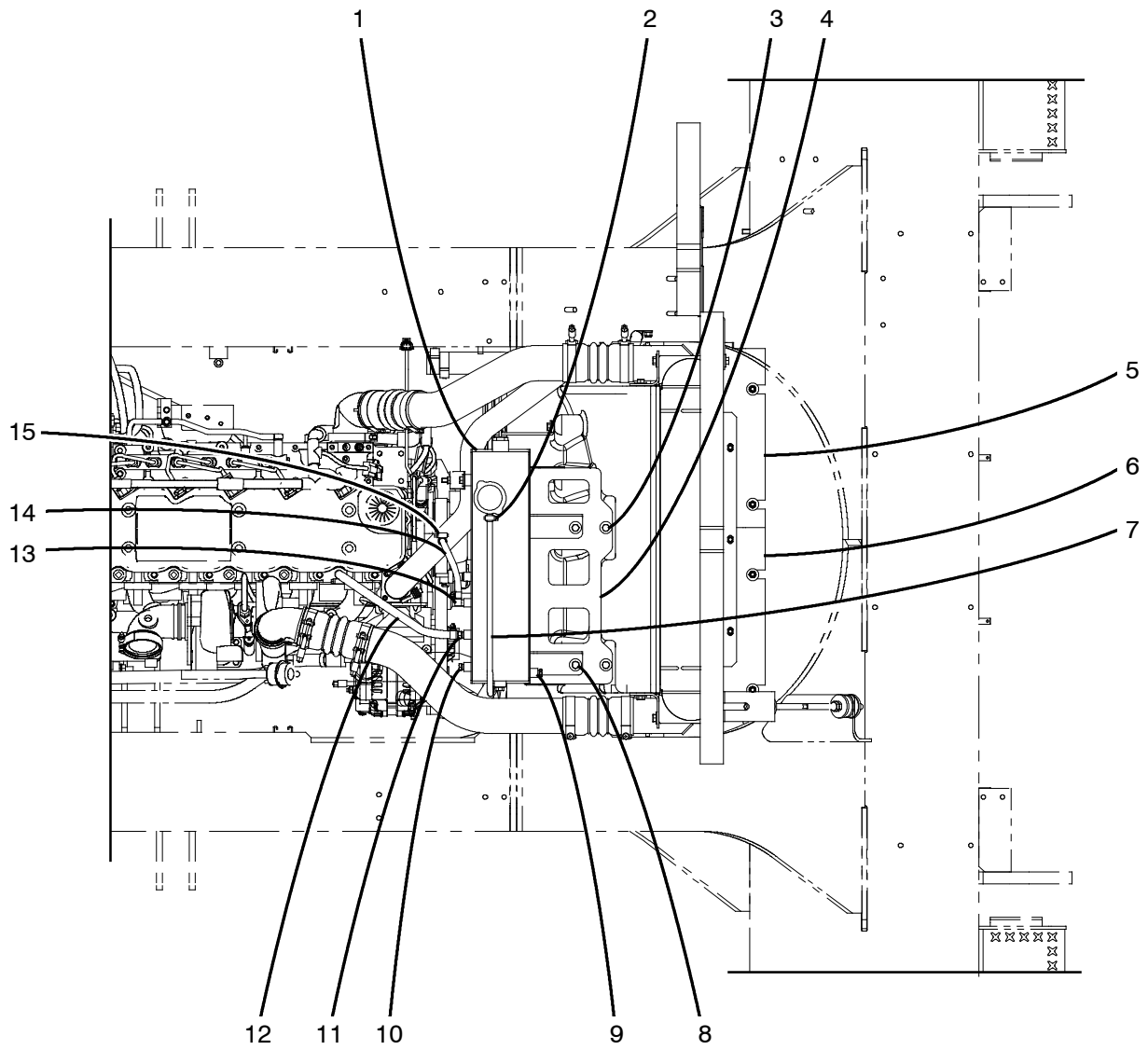


Parts List

0614

Air Cleaner Installation				
REF	PART NO.	QTY	DESCRIPTION	REMARKS
1	1X 7593	1	Clamp	
2	J6A0576	1	Elbow, Rubber	
3	1X 6691	2	Band, Mounting	
4	126009013	4	Capscrew	
	128003004	4	Washer	
	127004003	4	Locknut	
5	128003004	2	Washer	
	127004003	2	Locknut	
6	39J0194	1	Clamp	
7	18A2315	1	Clamp	
8	J9A0921	1	Bracket	
9	J6A0535	1	Tube, Air Intake	
10	126009013	2	Capscrew	
	128003004	2	Washer	
11	REF	1	Air Cleaner Assy - See Keysheet 01- 075	
12	AC 0079	1	Coupling, Extension	
	E9A0861	1	Fitting, Barb	
13	J6A0544	1	Bracket, Air Cleaner	
14	N4A0789	1	Elbow, Rubber	
	1X 5901	2	Clamp	
15	1X 8281	2	Screw, Machine	
	1X 4438	2	Washer	
	E9A0882	1	Kit, Remote Restriction Indicator	
16	822014001	1	Hose - 3.5'	
17	127004003	2	Locknut	
	128003004	2	Washer	

Radiator, Charged Air Cooler, Hydraulic Oil Cooler, & Surge Tank Installation

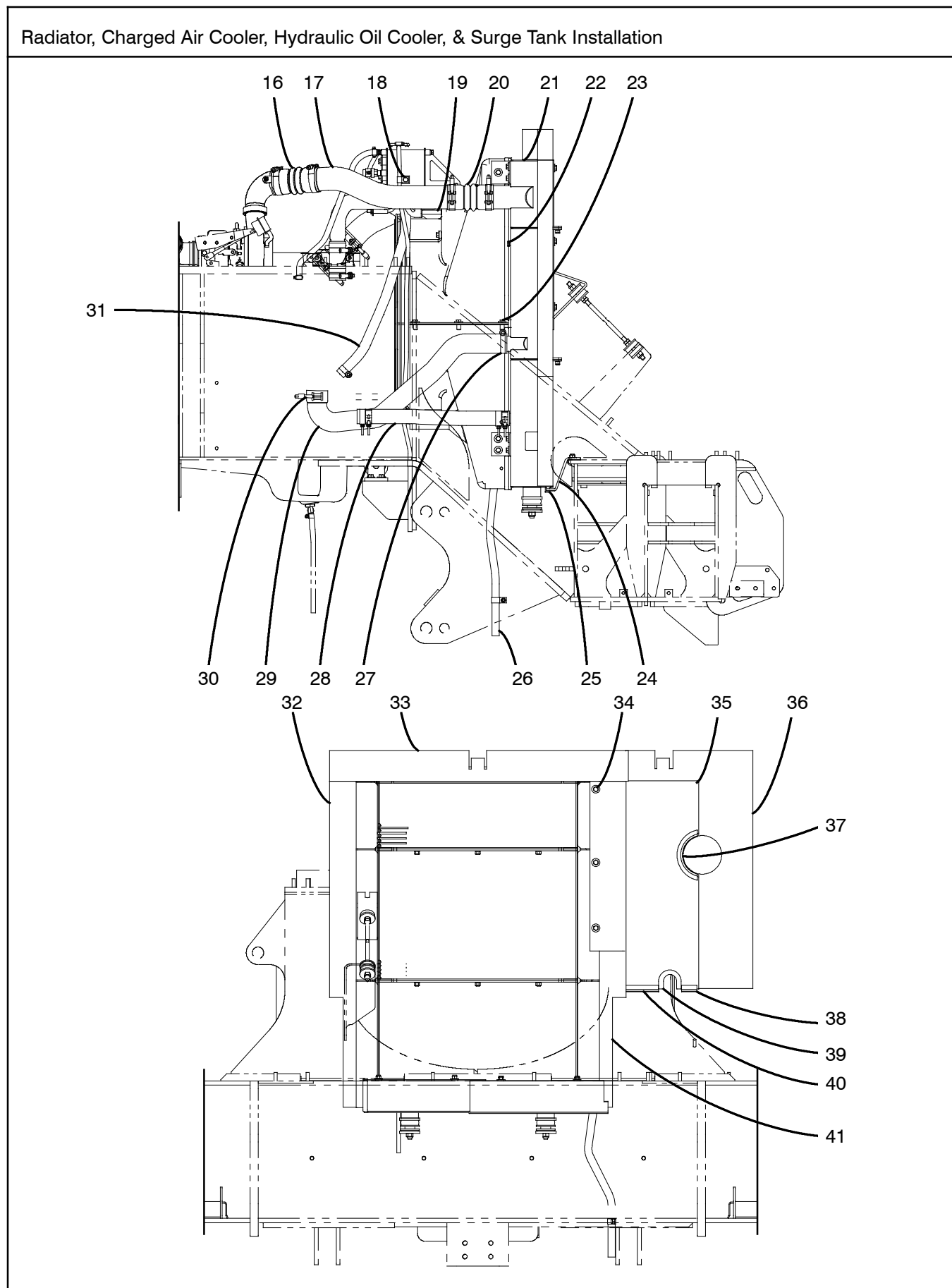


Parts List

0814

Radiator, Charged Air Cooler, Hydraulic Oil Cooler, & Surge Tank Installation				
REF	PART NO.	QTY	DESCRIPTION	REMARKS
1	N4A1043	1	Tank, Surge	
	3A 25923	1	Sensor, Coolant Level	
	3A 25180	1	Cap, Radiator	
2	112020001	1	Clamp	
3	126009013	2	Capscrew	
	128003004	2	Washer	
4	J6A0577	1	Bracket	
5	J6A0559	1	Baffle	
	127004003	2	Locknut	
	128003004	2	Washer	
6	J6A0560	1	Baffle	
	127004003	2	Locknut	
	128003004	2	Washer	
7	822014005	1	Hose	
8	128003004	2	Washer	
	126009013	2	Capscrew	
9	1X 3856	1	Plug	
10	1X 3856	1	Plug	
11	4H 0010	1	Barb, Hose	
12	822044002	1	Hose	
	112020001	2	Clamp	
13	1X 6938	1	Barb, Hose	
14	822044001	1	Hose	
	112020001	2	Clamp	
15	5Z 0118	1	Barb, Hose	
16	D7A0611	1	Hose	
	71A0735	2	Clamp	
17	J6A0537	1	Tube	
18	5Z 0621	1	Clamp	
	126009119	1	Capscrew	
19	1X 8675	3	Spacer	
20	D7A0611	1	Hose	
	71A0735	2	Clamp	
21	J6A0533	1	Radiator, Charged Air Cooler, & Hydraulic Oil Cooler Assy - See 01 - 075 - 607.00	
22	1X 3856	1	Plug	
23	126009013	3	Capscrew	
	128003004	3	Washer	
24	824025005	1	Trim	
25	824009001	1	Weatherstrip	
26	822044004	1	Hose	
	127004003	1	Capscrew	
	1X 5255	1	Clamp	
27	112017005	1	Clamp, Hose	
28	822026001	1	Hose	
	1X 5582	4	Clamp	
29	J6A0590	1	Hose	
30	F8A0402	1	Clamp	
31	J6A0543	1	Tube	
	112017001	2	Clamp	

Radiator, Charged Air Cooler, Hydraulic Oil Cooler, & Surge Tank Installation



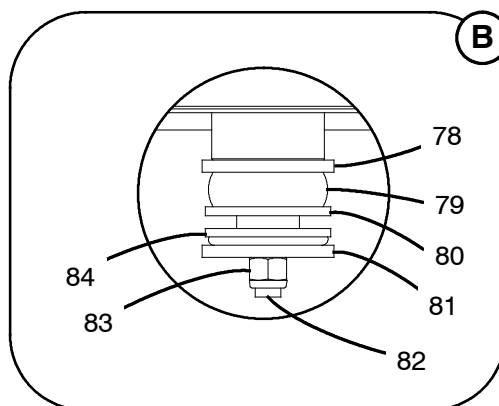
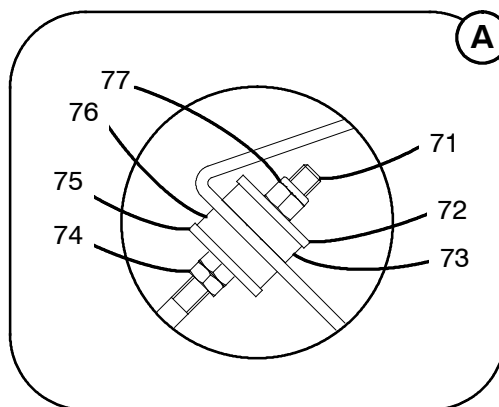
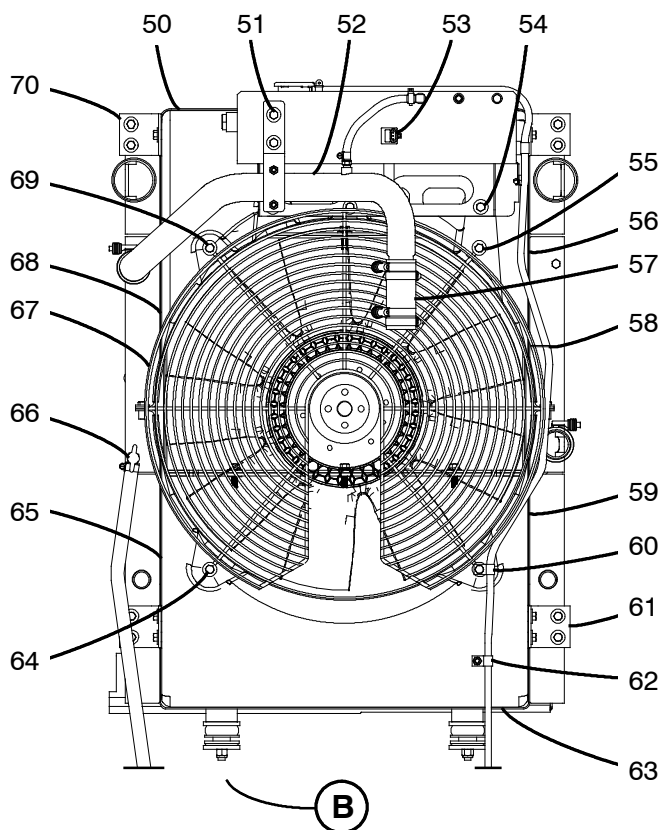
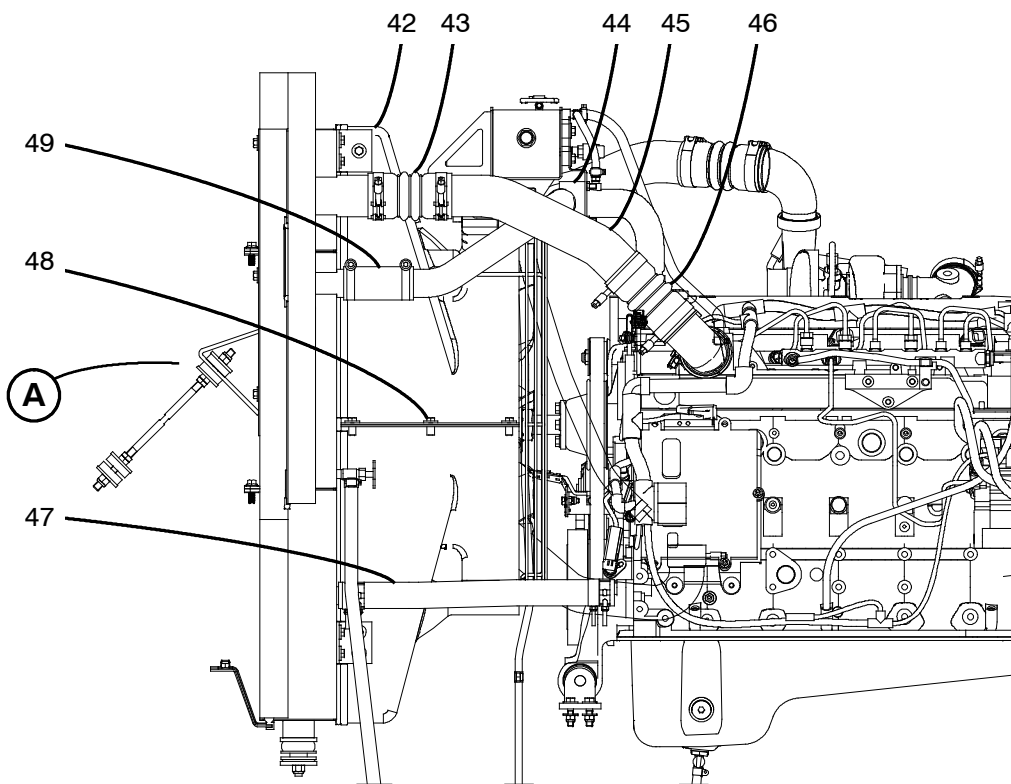
Parts List

0814

Radiator, Charged Air Cooler, Hydraulic Oil Cooler, & Surge Tank Installation

REF	PART NO.	QTY	DESCRIPTION	REMARKS
32	J6A0563	1	Baffle	
33	J6A0588	1	Baffle	
34	128003004	3	Washer	
	126009013	3	Capscrew	
35	J6A0561	1	Baffle	
36	J6A0562	1	Baffle	
37	824046001	1	Weatherstrip	
38	824046001	1	Weatherstrip	
39	824025005	1	Trim	
40	824046001	1	Weatherstrip	
41	J6A0563	1	Baffle	
42	J6A0573	1	Shroud, Fan	
43	D7A0611	1	Hose	
	71A0735	2	Clamp	
44	112015011	1	Clamp, Muffler	
45	N4A0780	1	Tube	
46	D7A0611	1	Hose	
	71A0735	2	Clamp	
47	822026001	1	Hose	
	1X 5582	4	Clamp	
48	126009013	3	Capscrew	
	128003004	3	Washer	
49	822045017	1	Hose	
	112017005	2	Clamp, Hose	

Radiator, Charged Air Cooler, Hydraulic Oil Cooler, & Surge Tank Installation

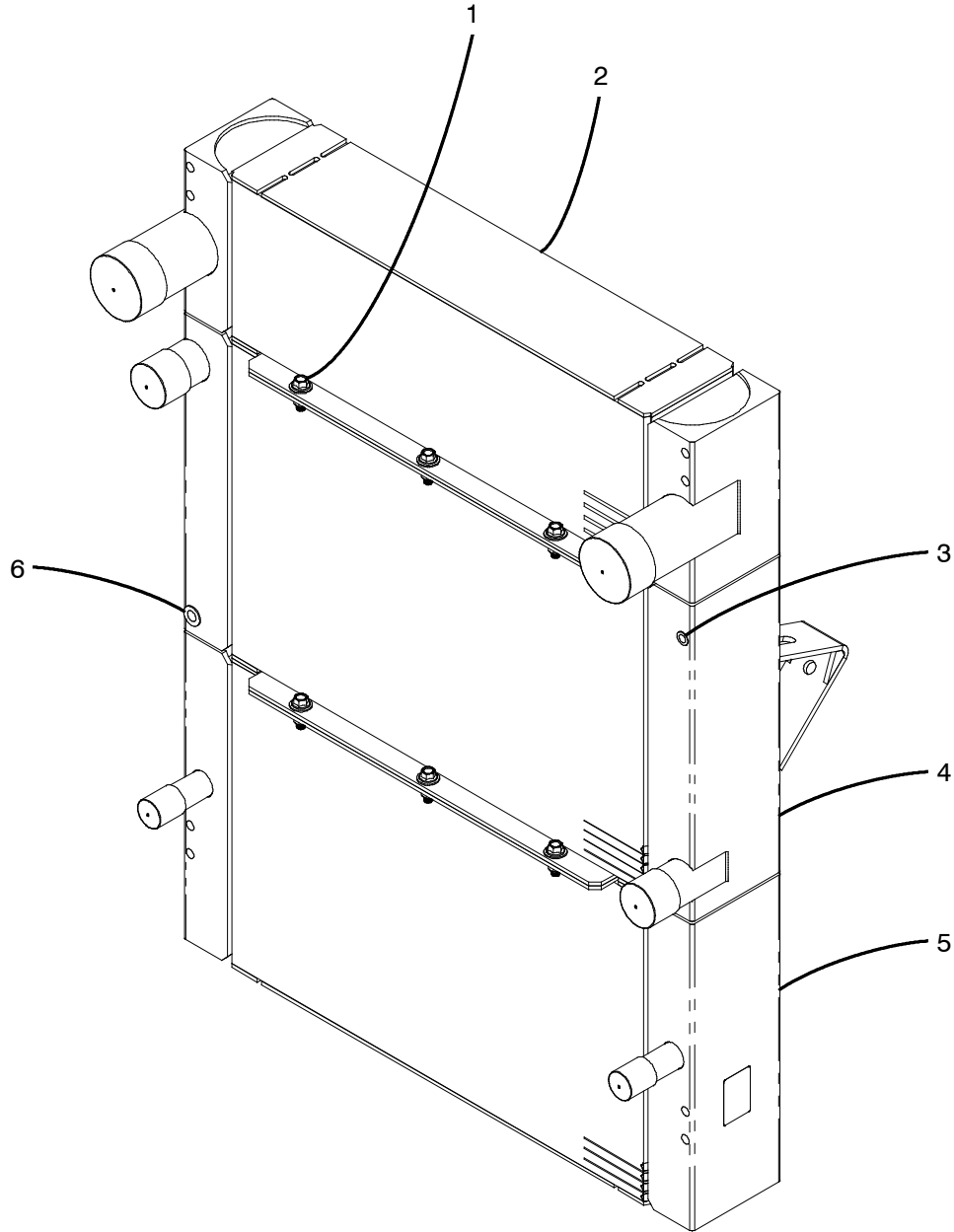


Parts List

0814

Radiator, Charged Air Cooler, Hydraulic Oil Cooler, & Surge Tank Installation				
REF	PART NO.	QTY	DESCRIPTION	REMARKS
50	824046001	1	Weatherstrip	
51	N4A0555	1	Bracket	
	128003004	2	Washer	
	126009119	2	Capscrew	
52	J6A0538	1	Tube	
53	S2R0122	1	Sensor, Coolant Level	
54	128003004	3	Washer	
	126009024	3	Capscrew	
55	128003004	1	Washer	
	126009016	1	Capscrew	
56	824046001	1	Weatherstrip	
57	822045015	1	Hose	
	112017005	4	Clamp, Hose	
58	71J0005	5	Tie, Cable	
59	824046001	1	Weatherstrip	
60	5Z 0621	1	Clamp	
	128003004	1	Washer	
	126009101	1	Capscrew	
	J6A0302	1	Spacer	
61	N4A0499	2	Bracket	
	126009013	8	Capscrew	
	128003004	8	Washer	
62	5Z 0621	1	Clamp	
	127004003	1	Locknut	
63	824046001	1	Weatherstrip	
64	J6A0302	1	Spacer	
	128003004	1	Washer	
	126009101	1	Capscrew	
65	824046001	1	Weatherstrip	
66	AC 4257	1	Valve, Shutoff	
	112020004	1	Clamp	
67	J6A0301	1	Guard, Fan	
68	824046001	1	Weatherstrip	
69	128003004	1	Washer	
	126009016	1	Capscrew	
70	J6A0616	2	Bracket	
	126009013	6	Capscrew	
	128003004	6	Washer	
71	J8H0077	1	Rod	
72	N3A0682	2	Washer	
73	HC 0028	2	Pad, Rubber	
74	1X 0183	4	Nut, Jam	
75	N3A0682	2	Washer	
76	HC 0028	2	Pad, Rubber	
77	127004005	2	Locknut	
78	AC 3328	2	Plate	
79	59A0324	2	Damper, Vibration	
80	128003015	2	Washer	
81	AC 3328	2	Plate	
82	1X 7972	2	Stud	
83	127004005	2	Locknut	
84	128003015	2	Washer	

Radiator, Charged Air Cooler, & Hydraulic Oil Cooler Assy



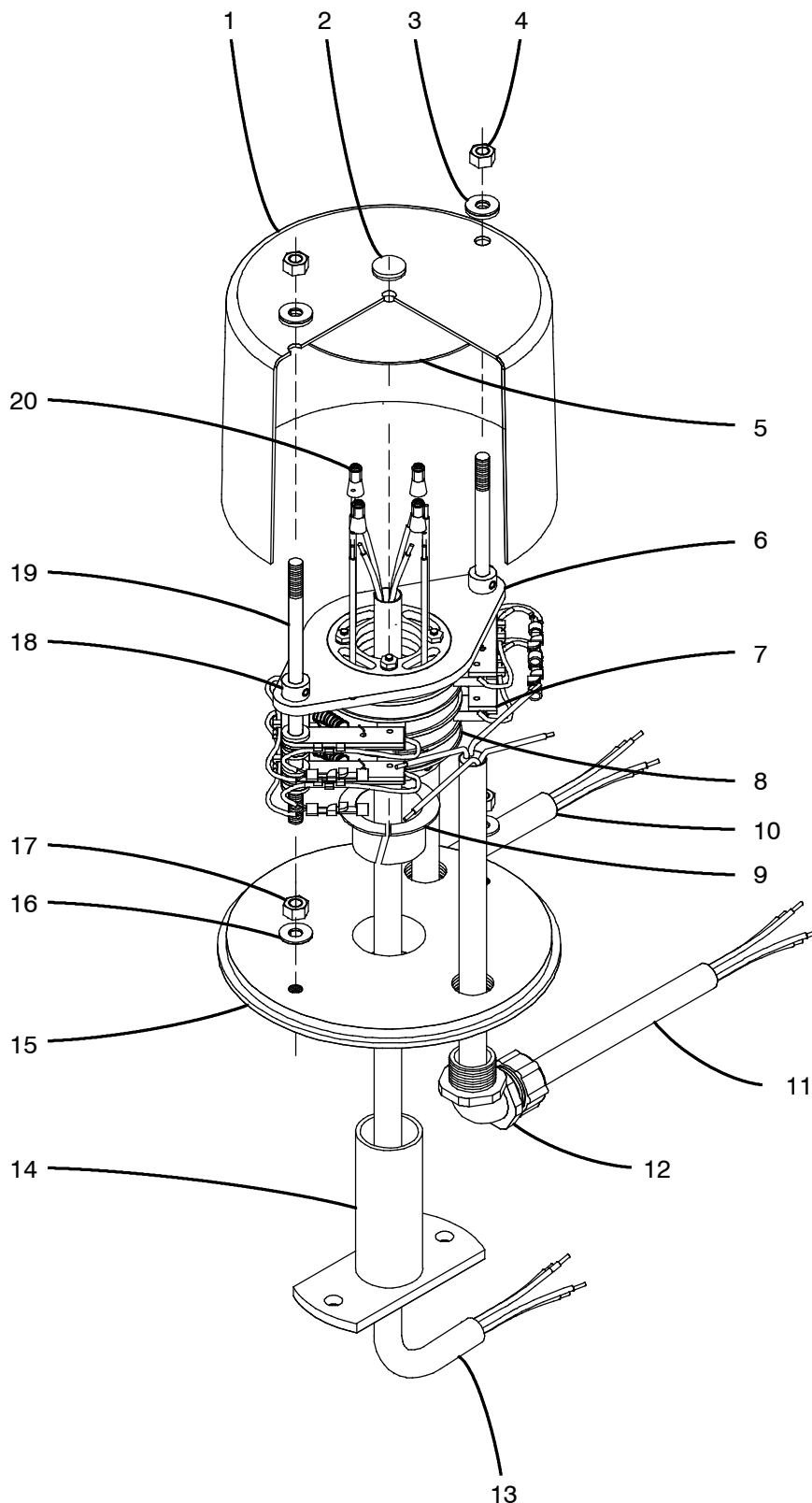
Parts List

0814

Radiator, Charged Air Cooler, & Hydraulic Oil Cooler Assy

REF	PART NO.	QTY	DESCRIPTION	REMARKS
1	J6A0533	1	Radiator, Charged Air Cooler, & Hydraulic Oil Cooler Assy	
	3A 25011	12	Capscrew	
	3A 25010	24	Washer, Flat	
	3A 25009	12	Nut, Nylock	
2	3A 27410	1	Charged Air Cooler	
3	3A 25915	1	Plug	
4	3A 27411	1	Radiator	
5	3A 27412	1	Hydraulic Oil Cooler	
6	3A 27396	1	Plug	

Collector Ring Assy

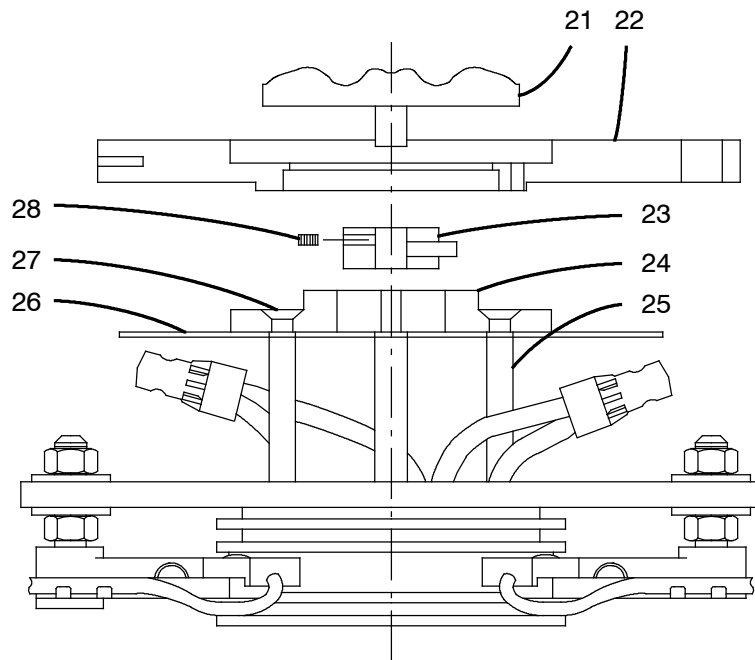


Parts List

0414

Collector Ring Assy				
REF	PART NO.	QTY	DESCRIPTION	REMARKS
	S4R0063	1	Collector Ring Assy	
1	3R 1805	1	Cover	
2	3R 1771	1	Seal	
3	3R 1459	2	Washer, Sealing	
4	3R 1458	4	Locknut	
5	3R 1735	1	Disk, Rub	
6	3R 1386	1	Bearing, Outboard	
7	3R 1396	4	Brush & Arm Assy - 75 Amp	
	3R 0632	1	Spring	
	3R 0628	2	Disconnect, Knife	
	3R 1090	1	Sleeve	
	3R 1922	1	Brush & Arm Assy - 45 Amp	
	3R 0632	1	Spring	
	3R 1400	2	Disconnect, Knife	
	3R 1090	1	Sleeve	
	3H 0660	6	Brush & Arm Assy - 15 Amp	
	3R 1286	1	Spring	
	3R 1282	2	Disconnect, Knife	
	3R 1086	1	Sleeve	
	3R 1904	6	Brush & Arm Assy - 7.5 Amp	
	3R 1009	1	Spring	
	3R 1282	2	Disconnect, Knife	
	3R 1086	1	Sleeve	
	3R 1008	27	Brush & Arm Assy - 7.5 Amp	
	3R 1009	1	Spring	
	3R 1282	2	Disconnect, Knife	
	3R 1086	1	Sleeve	
	3R 1569	9	Brush & Arm Assy - 7.5 Amp	
	3R 1009	1	Spring	
	3R 1282	2	Disconnect, Knife	
	3R 1086	1	Sleeve	
8	S4R0064	1	Collector Ring Core Assy	
9	3R 1872	2	Bearing, Nylon	
	S4R0066	1	Harness, Upper Wire	
10	3R 2113	1	Harness, Front Brush	
11	3R 2112	1	Harness, Rear Brush	
12	3R 1773	2	Connector	
	3R 1866	2	Locknut	
13	S4R0065	1	Harness, Lower Wire	
	3R 2028	1	Connector	
	3R 2032	1	Locknut	
14	3R 1806	1	Tube, Mounting	
15	3R 2060	1	Bracket, Base	
16	3R 1461	9	Washer	
17	3R 1538	9	Nut, Jam	
18	3R 1772	2	Collar, Set	
19	3R 2088	2	Stud, Brush Holding - 16.25"	
20	3R 0623	7	Connector - Use On 75 & 45 Amp Circuits	
	3R 0622	8	Connector - Use On 15 Amp Circuits	
	3R 1387	40	Connector - Use On 7.5 Amp Circuits	

Collector Ring Assy

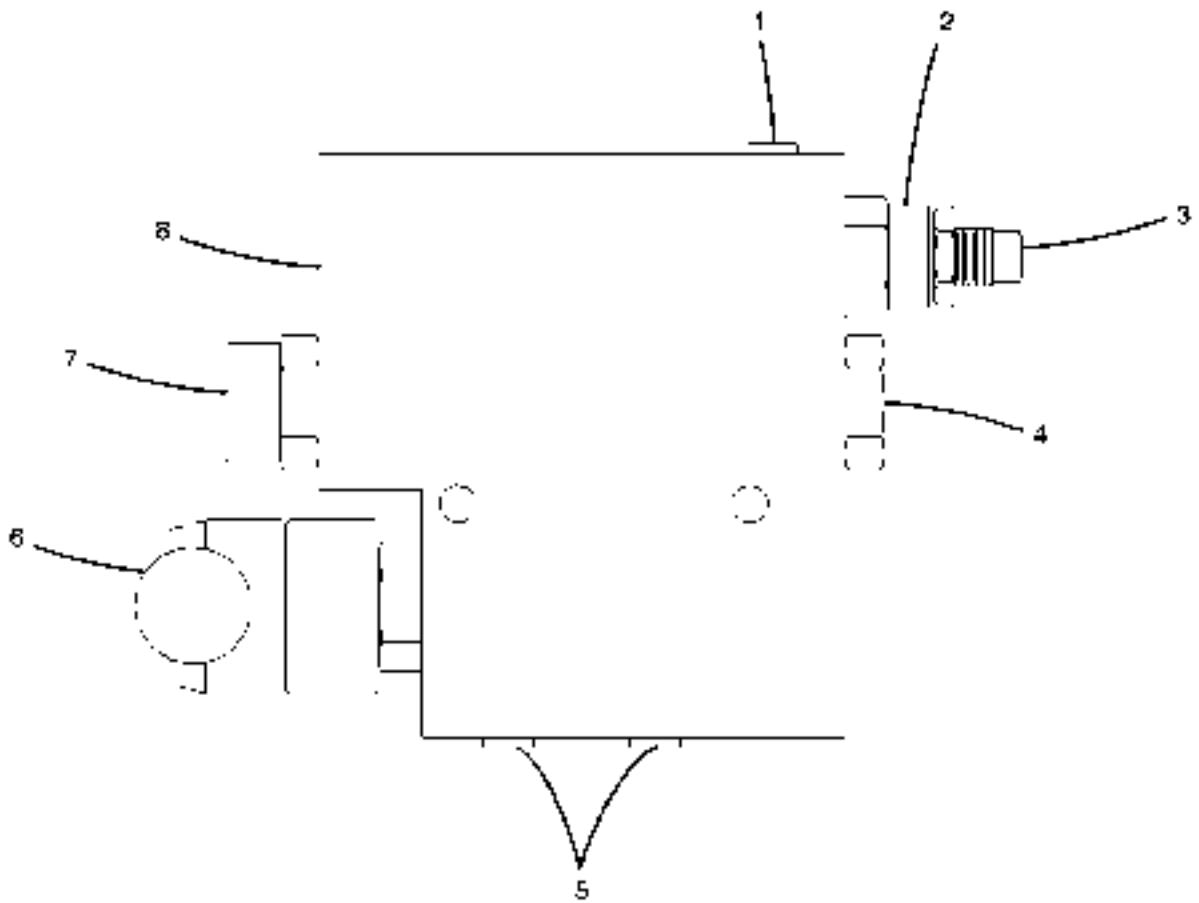


Parts List

0414

Collector Ring Assy				
REF	PART NO.	QTY	DESCRIPTION	REMARKS
21	3R 1728	1	Potentiometer, Slew	
22	3R 1736	1	Plate, Mounting	
23	3R 1734	1	Drive, Shaft	
24	3R 1733	1	Plate, Torque	
25	3R 1732	4	Spacer, Stand- Off	
26	3R 1735	1	Disk, Rub	
27	3R 1809	4	Screw	
28	3R 1774	2	Setscrews	
	3R 1213	1	Collar, Set - Not Shown	
	3R 2111	1	Stud, Leveling - 14.44" - Not Shown	
	3R 1864	1	Capscrew - 5/16- 18 - Not Shown	
	3R 1737	3	Clamp, Servo Mounting - Not Shown	

Oscillation Lockout Manifold Assy

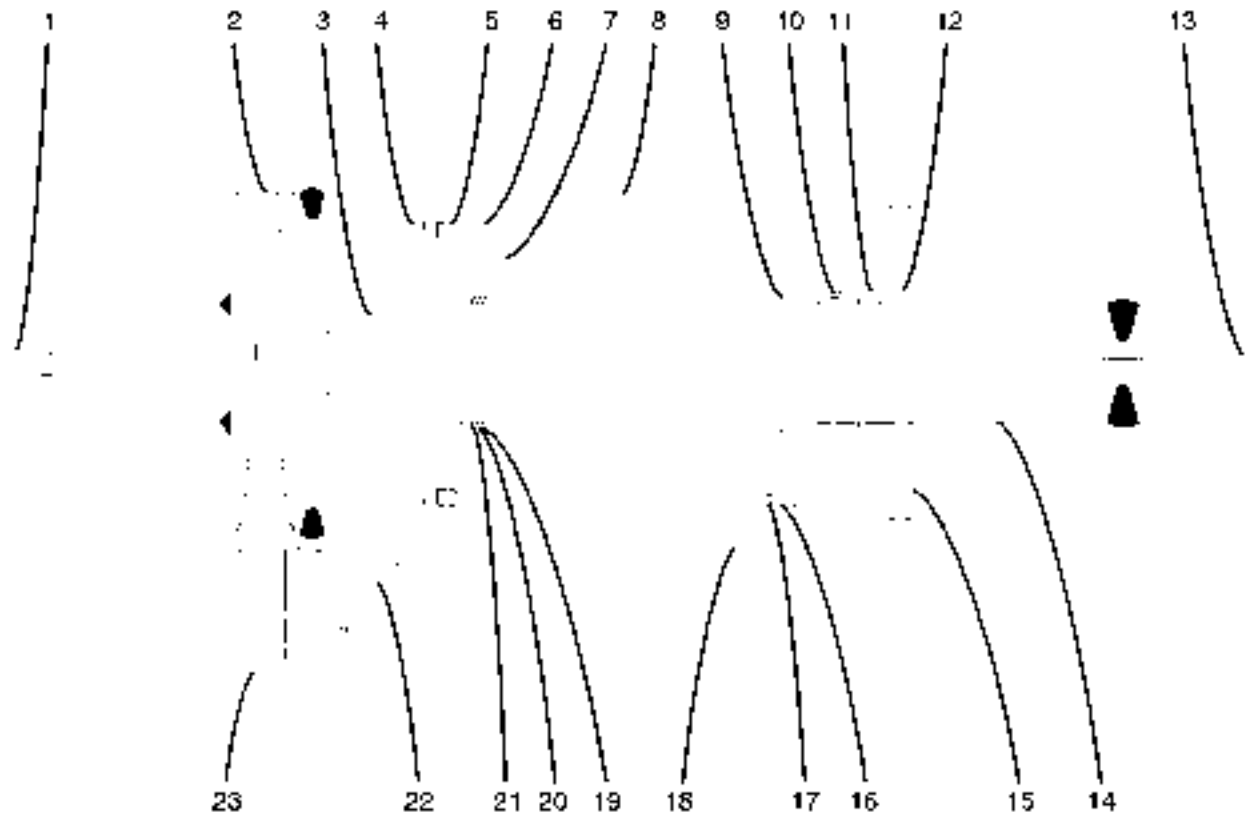


Parts List

0205

Oscillation Lockout Manifold Assy				
REF	PART NO.	QTY	DESCRIPTION	REMARKS
	F7J0437	1	Oscillation Lockout Manifold Assy	
1	1X 5922	1	Plug	
2	3J 14832	1	Cartridge, Needle Valve	
	3J 13994	1	Kit, Seal	
3	3J 14695	1	Disc, Orifice	
4	F7J0192	1	Cartridge, Check Valve	
	3J 14691	1	Kit, Seal	
	F7J0195	1	Piston, Pilot	
5	1X 5922	2	Plug	
6	3J 14692	1	Cartridge, Motor Spool Valve	
	3J 13664	1	Kit, Seal	
	3J 14693	1	Handle, Ball	
7	F7J0193	1	Cartridge, Check Valve W/Thermal Relief	
	3J 11667	1	Kit, Seal	
8	REF	1	Body	

Lockout Cylinder Assy

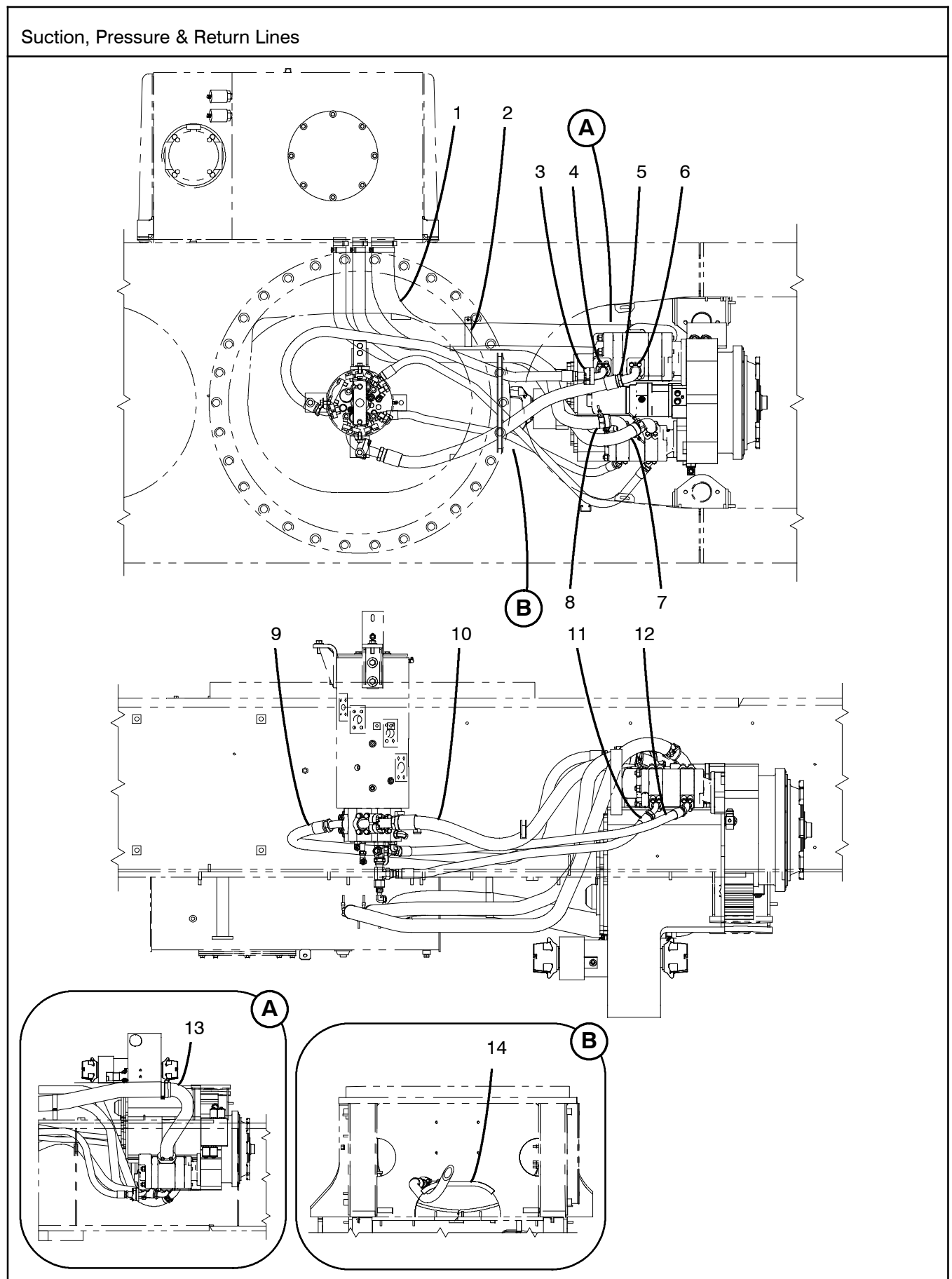


Parts List

0312

Lockout Cylinder Assy				
REF	PART NO.	QTY	DESCRIPTION	REMARKS
	J9J0337	1	Lockout Cylinder Assy	
1	1X 1800	1	Fitting, Grease	
2	69J0092	1	Valve, Bleeder	
3	F7J0357	1	Locknut	
4	F7J0102	1	Ring, Wear	KA
5	F7J0103	1	Seal, Piston	KA
6	F7J0102	1	Ring, Wear	KA
7	F7J0076	1	Piston	
8	F7J0473	1	Case, Cylinder	
9	F7J0106	1	Ring, Wear	KA
10	D6J0440	1	Seal	KA
11	F7J0105	1	Seal, Double Lip	KA
12	F7J0104	1	Wiper, Rod	KA
13	1X 0816	1	Fitting, Grease	
14	F7J0100	1	Rod	
15	F7J0075	1	Gland	
16	1X 5510	1	O-ring	KA
17	1A 0790	1	Ring, Back Up	KA
18	69J0092	1	Valve, Bleeder	
19	F7J0113	1	Ring, Back Up	KA
20	1X 6015	1	O-ring	KA
21	F7J0113	1	Ring, Back Up	KA
22	1X 3581	1	Plug	
23	J9J0336	1	Holding Valve Assy	
	3J 11666	1	Cartridge	
	3J 11667	1	Kit, Seal	
	3J 18144	1	Nut, Coil	
	3J 18135	1	Coil	
	3J 19584	1	Kit, Seal - All Items Marked KA	

Suction, Pressure & Return Lines

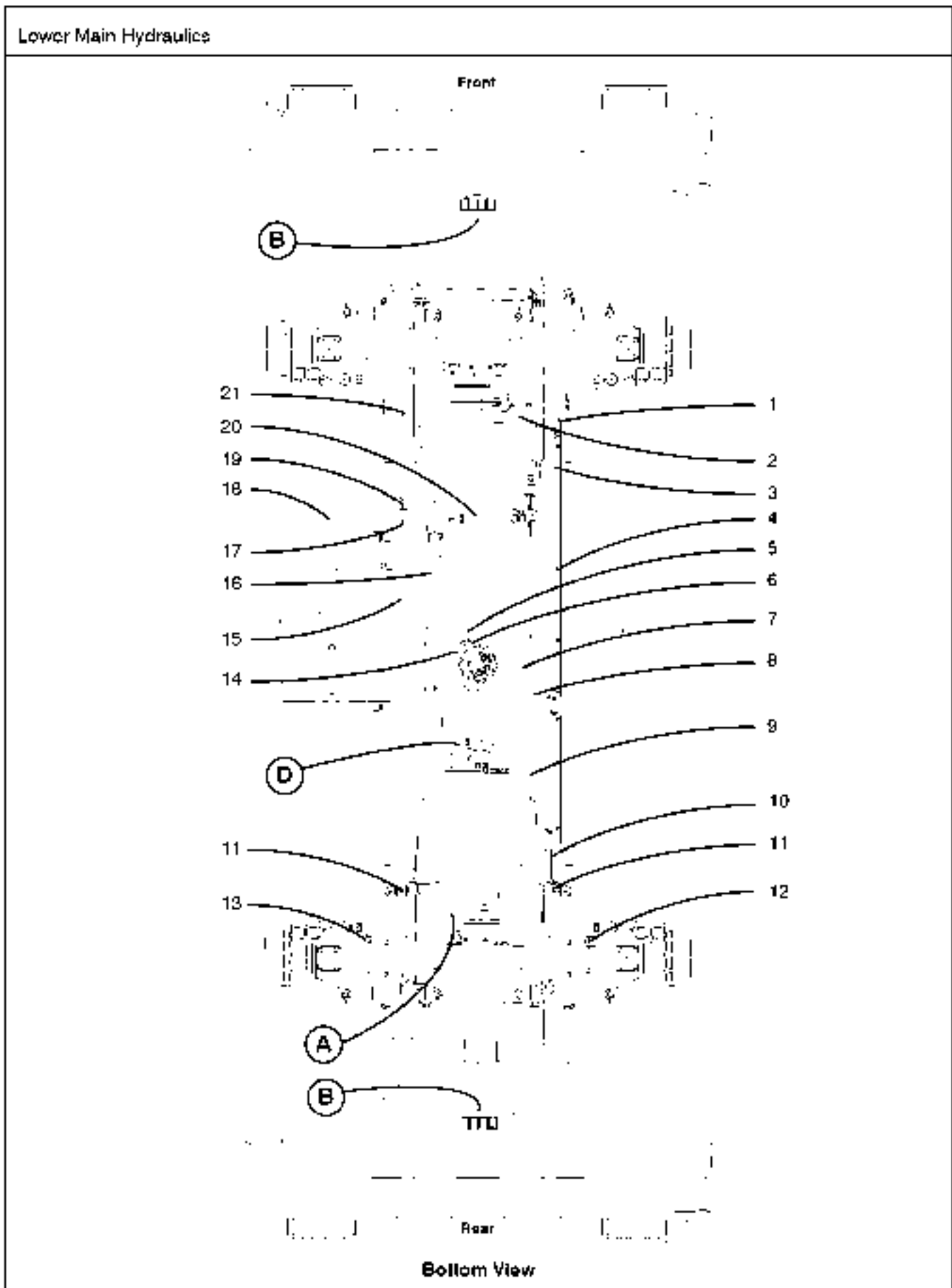


Parts List

0415

Suction, Pressure & Return Lines				
REF	PART NO.	QTY	DESCRIPTION	REMARKS
1	822034012	1	Hose - 4.25'	
	1X 5144	2	Clamp	
2	1X 7598	1	Clamp	
	126009013	1	Capscrew	
	128003004	1	Washer	
3	16J0201	2	Flange, Split	
	20J0990	1	O- ring	
	126009014	4	Capscrew	
4	16J0201	2	Flange, Split	
	20J0990	1	O- ring	
	126009014	4	Capscrew	
	1X 5743	1	Elbow	
5	20J0084	2	Flange, Split	
	20J0771	1	O- ring	
	126009102	4	Capscrew	
6	20J0084	2	Flange, Split	
	20J0771	1	O- ring	
	126009102	4	Capscrew	
	1X 5734	1	Elbow	
7	822034004	1	Hose - 6.71'	
	1X 8017	4	Clamp	
	20J0084	2	Flange, Split	
	20J0771	1	O- ring	
	126009102	4	Capscrew	
	1X 7555	1	Stem, Hose	
8	822034004	1	Hose - 5.88'	
	1X 8017	4	Clamp	
	20J0084	2	Flange, Split	
	20J0771	1	O- ring	
	126009102	4	Capscrew	
	1X 7555	1	Stem, Hose	
9	J6J0235	1	Hose Assy	
	20J0990	1	O- ring	
10	J6J0246	1	Hose Assy	
	20J0771	1	O- ring	
11	J6J0237	1	Hose Assy	
	16J0203	2	Flange, Split	
	1X 5740	1	O- ring	
	126009014	4	Capscrew	
12	J6J0236	1	Hose Assy	
	16J0203	2	Flange, Split	
	1X 5740	1	O- ring	
	126009014	4	Capscrew	
13	J9J0195	1	Tube	
	1X 5144	2	Clamp	
	31J0179	1	O- ring	
	126009029	4	Capscrew	
14	824025009	1	Trim - 2.0'	

Lower Main Hydraulics

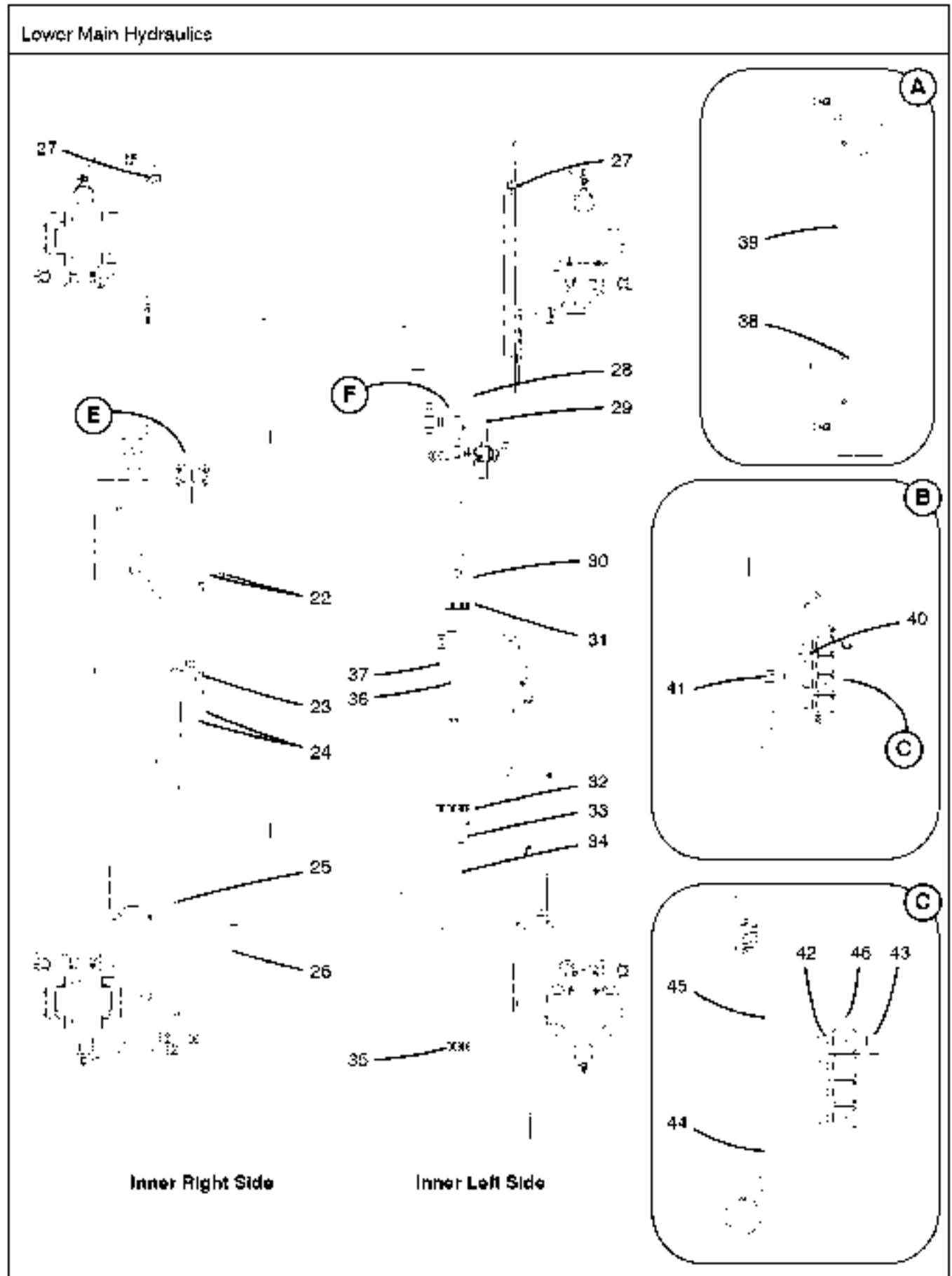


Parts List

0210

Lower Main Hydraulics				
REF	PART NO.	QTY	DESCRIPTION	REMARKS
1	J9J0086	1	Tube Assy	NSS
2	J9J0158	1	Tube Assy	
3	J9J0090	1	Tube Assy	
4	39J0218	13	Clamp	
	127004003	7	Locknut	
5	20J1948	2	Flange. Split	
	20J3041	1	O-ring	
	126009028	4	Capscrew	
6	F7J0172	1	Tube Assy	
	20J3041	1	O-ring	
7	J6J0228	1	Hose Assy	
8	J6J0228	1	Hose Assy	
9	J6J0229	1	Hose Assy	
10	J6J0200	1	Tube Assy	
11	128003004	2	Washer	
	127004003	2	Locknut	
12	1X 7368	2	Connector	
13	1X 7368	2	Connector	
14	J6J0231	1	Hose Assy	
15	L8J0192	1	Hose Assy	
	1X 7326	1	O-ring	
	J6J0214	1	Return Line S/A	
16	F7J0123	1	Hose Assy	
	20J1948	2	Flange. Split	
	20J3041	1	O-ring	
	126009028	4	Capscrew	
17	65A0596	1	Bracket	
	112015001	1	Clamp	
	128003004	2	Washer	
18	J6J0213	1	Tube Assy	
	31J0179	1	O-ring	
	126009029	4	Capscrew	
19	128003004	2	Washer	
	127004003	2	Locknut	
20	J6J0230	1	Hose Assy	
	20J0084	2	Flange. Split	
	126009102	4	Capscrew	
21	39J0218	1	Clamp	
	127004003	1	Locknut	
22	1X 8511	4	Clamp	
	127004003	2	Locknut	
23	1X 8511	2	Clamp	
	127004003	1	Locknut	
24	F7J0351	2	Tube Assy	
25	1X 8511	6	Clamp	
	127004003	3	Locknut	
26	J6J0232	1	Tube Assy	
	25J0640	1	O-ring	
27	29A0124	4	Clamp	
28	J6J0224	1	Tube Assy	
29	J6J0223	1	Tube Assy	
30	71J0005	4	Tie Cable	

Lower Main Hydraulics

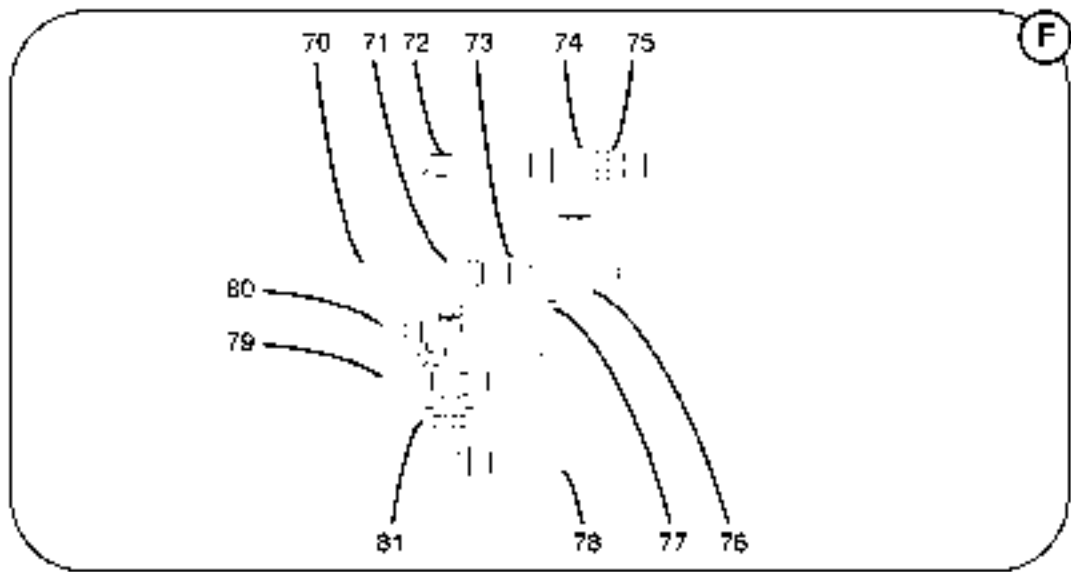
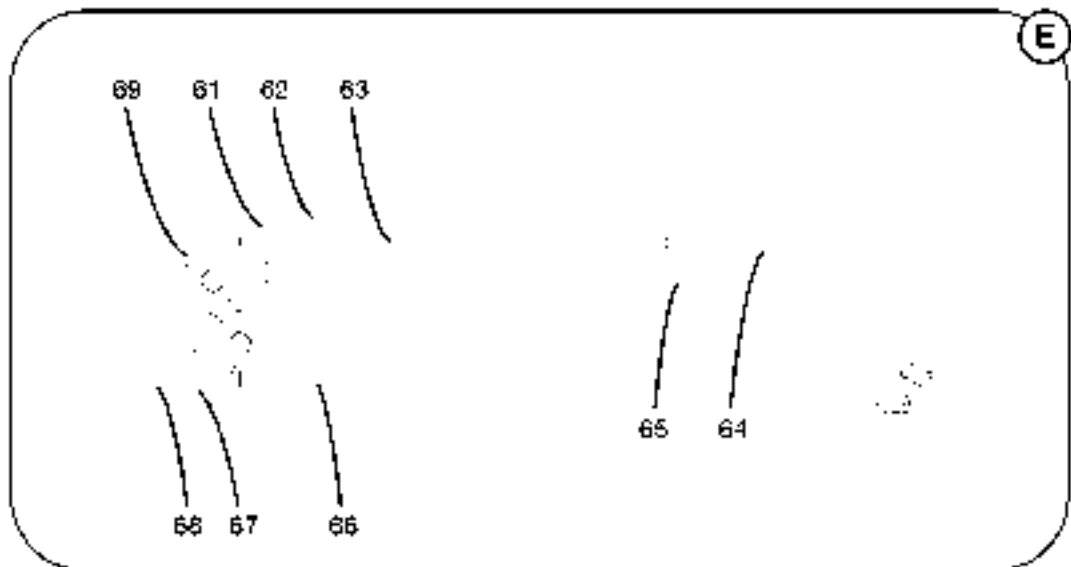
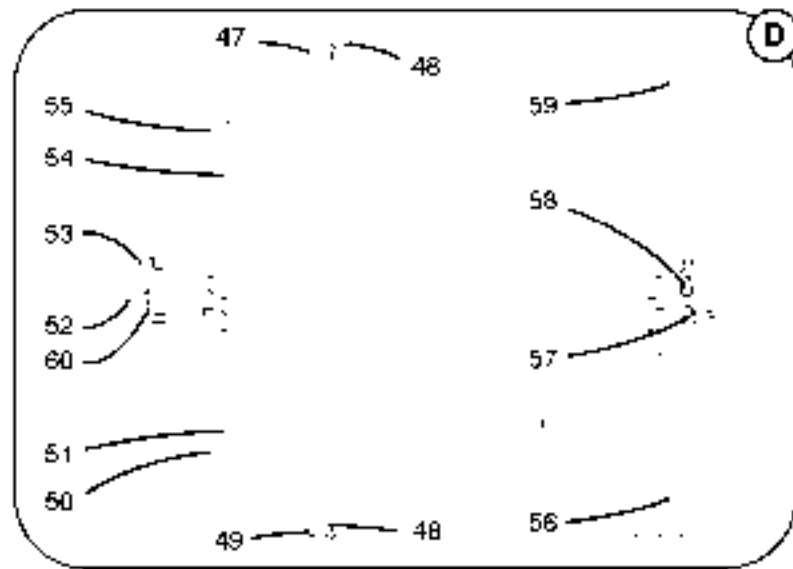


Parts List

0210

Lower Main Hydraulics				
REF	PART NO.	QTY	DESCRIPTION	REMARKS
31	29A0124	2	Clamp	
	25J0640	1	O-ring	
32	29A0124	2	Clamp	
	25J0640	2	O-ring	
33	J6J0241	1	Tube Assy	
34	J6J0240	1	Tube Assy	
35	29A0124	2	Clamp	
	25J0640	1	O-ring	
36	J6J0217	1	Tube Assy	
37	J6J0204	1	Tube Assy	
38	D3R0116	1	Switch, Pressure	
39	N4J0151	1	Tube Assy	
	39J0218	2	Clamp	
	127004003	2	Locknut	
40	1X 8511	2	Clamp	
	127004003	2	Locknut	
41	1X 7411	2	Tee	
	J6J0220	1	Front Outrigger Selector Valve S/A	NSS
	J6J0239	1	Rear Outrigger Selector Valve S/A	NSS
42	1X 7384	4	Elbow	
43	1X 7389	1	Elbow	
44	65J0555	3	Hose Assy	
	850065004	1	Wrap. Hose - 0.67'	
45	H9J0038	3	Hose Assy	
	850065004	1	Wrap. Hose - 0.67'	
46	F1J0079	1	2 Way Valve Stack Assy - See Keysheet 01-043-047.00	
	128003004	4	Washer - 1.0" OD	
	128003006	4	Washer - 1.31" OD	
	127004003	4	Locknut	
	J6J0238	1	Oscillation Suspension Lockout Valve S/A	NSS
47	D7J0174	1	Hose Assy	
48	D7J0175	2	Hose Assy	
49	D7J0174	1	Hose Assy	
50	F7J0269	1	Tube Assy	
51	F7J0270	1	Tube Assy	
52	65J1115	1	Hose Assy	
	1X 7388	1	Connector	
53	E9J0175	1	Hose Assy	
	1X 7386	1	Elbow	
54	F7J0272	1	Tube Assy	
55	F7J0271	1	Tube Assy	
56	J6J0197	1	Bracket	
57	F7J0273	1	Tube Assy	
	1X 7405	1	Elbow	
	1X 7371	1	Connector	
58	F7J0274	1	Tube Assy	
	1X 7388	1	Elbow	
59	J6J0197	1	Bracket	
60	REF	1	Oscillation Lockout Manifold Assy See Keysheet 01-078	
	128009006	2	Capcrew	
	128003001	2	Washer	

Lower Main Hydraulics

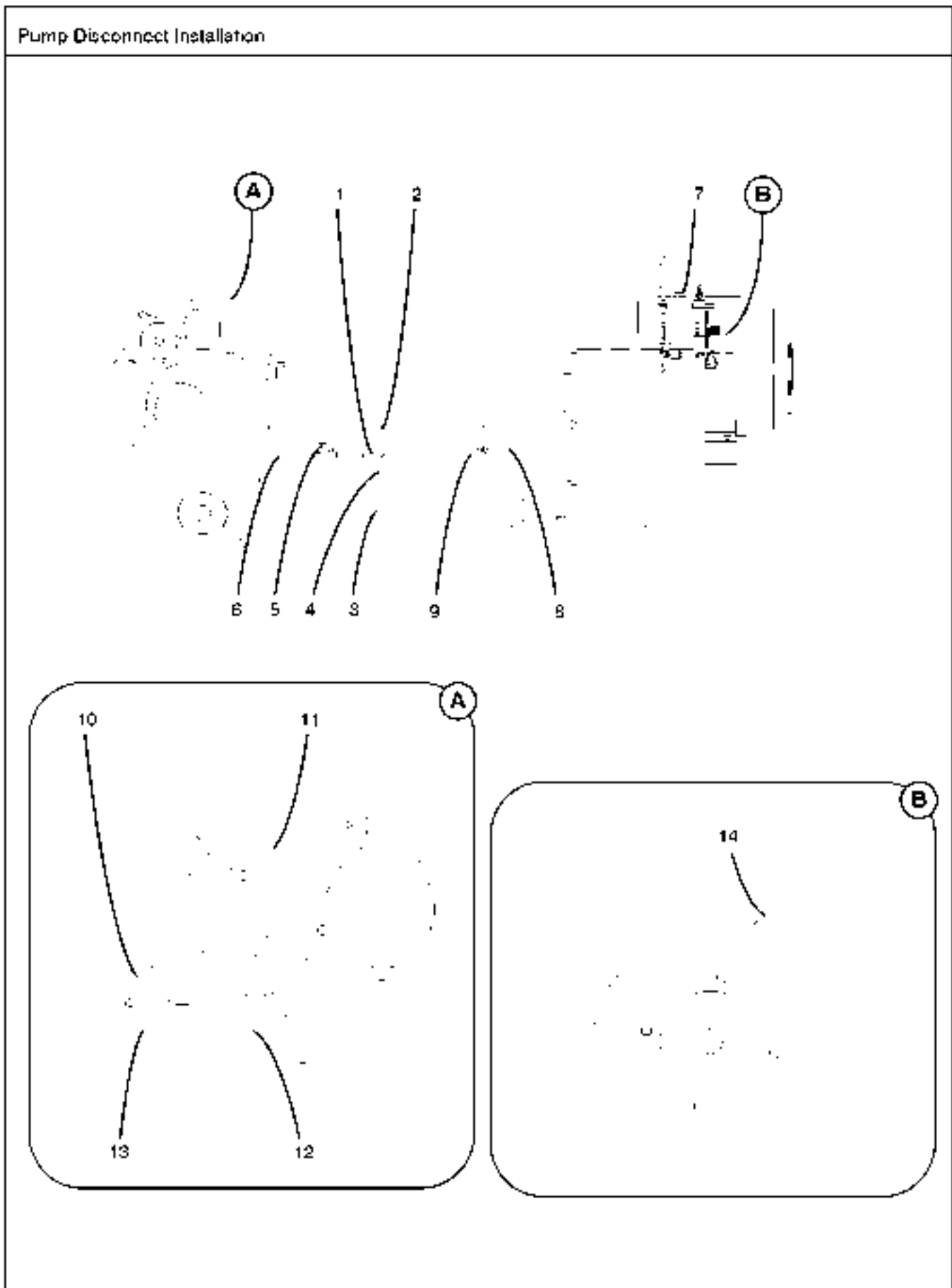


Parts List

0210

Lower Main Hydraulics				
REF	PART NO.	QTY	DESCRIPTION	REMARKS
61	J6J0226	1	Power Steer Valve S/A	NSS
	F7J0349	1	Tube Assy	
	1X 7406	1	Elbow	
	1X 7447	1	Connector	
62	F7J0350	1	Tube Assy	
	1X 7389	1	Elbow	
63	F7J0363	1	Tube Assy	
	1X 7389	1	Elbow	
64	65J0432	1	Hose Assy	
65	65J0564	1	Hose Assy	
66	F7J0364	1	Tube Assy	
	1X 7389	1	Elbow	
67	J6J0221	1	Tube Assy	
	1X 7406	1	Elbow	
	1X 7447	1	Connector	
68	J6J0222	1	Tube Assy	
	1X 7389	1	Elbow	
69	REF	1	2 Section Steer Valve Assy – See Keysheet 01-043	
	128003004	2	Washer – 1.0" OD	
	128003008	2	Washer – 1.56" OD	
	127004003	2	Locknut	
70	J6J0211	1	Directional & Relief Valve S/A	NSS
	69J0434	1	Hose Assy	
71	1X 7413	1	Tee	
	1X 7373	1	Connector	
	1X 4364	1	Reducer	
72	J6J0199	1	Tube Assy	
73	1X 7605	1	Connector	
	1X 5630	1	Reducer	
74	1X 7483	1	Tee	
	1X 7378	1	Connector	
75	1X 7929	1	Reducer	
76	D7J0393	1	Valve, Relief	
	3J 13570	1	Cartridge	
	3J 13571	1	Kit, Seal	
77	43J2551	1	Coupling	
	JR 0895	1	Elbow	
78	J6J0225	1	Tube Assy	
	1X 7408	1	Elbow	
	1X 7967	1	Connector	
79	J6J0218	1	Tube Assy	
	1X 7412	1	Tee	
	1X 7447	1	Connector	
80	J6J0219	1	Tube Assy	
	1X 7412	1	Tee	
	1X 7560	1	Elbow	
81	D7J0436	1	4 Way Solenoid Valve Assy See Keysheet 01 043 050.00	
	128003004	2	Washer – 1.0" OD	
	128003006	2	Washer – 1.31" OD	
	127004003	2	Locknut	

Pump Disconnect Installation

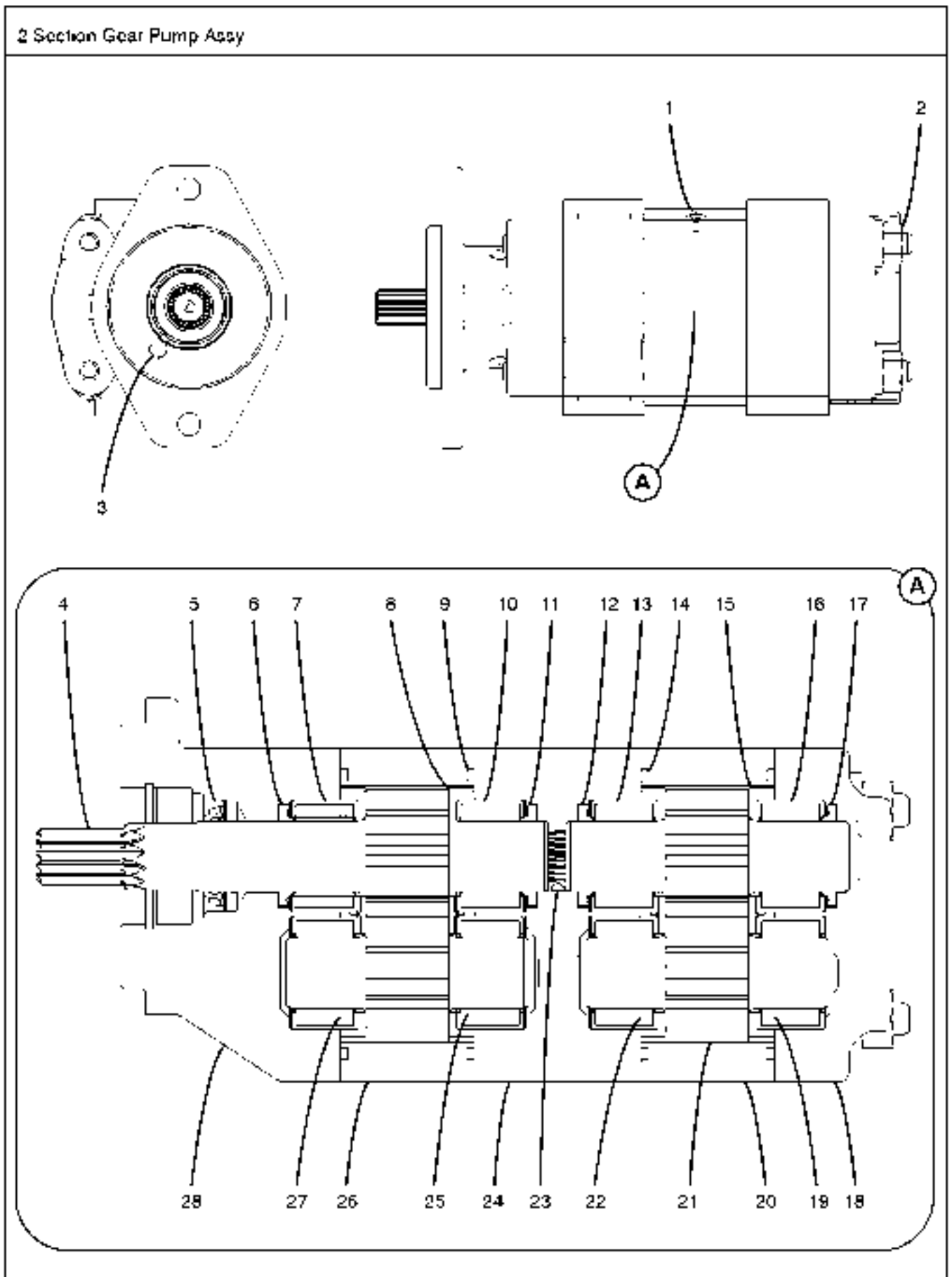


Parts List

0409

Pump Disconnect Installation				
REF	PART NO.	QTY	DESCRIPTION	REMARKS
1	16A0165	1	End Yoke	
	HB 0173	1	Pin, Yoke	
	1X 1093	1	Pin, Cotter	
	1X 0193	1	Nut, Jam	
2	1X 2149	1	Screw	
	128003006	1	Washer	
3	38A0920	1	Grip	
4	46A1480	1	Tube	
5	128003004	2	Washer	
	127004003	2	Locknut	
6	47J2025	1	Cable, Control	
7	REF		Pump Disconnect Assy	
8	HC 2273	1	Switch	
9	J9A0251	1	Bracket	
10	HC 0104	1	End, Yoke	
	HC 0105	1	Pin, Yoke	
	150007001	1	Pin, Cotter	
	1X 0193	1	Nut, Jam	
11	J9A0252	1	Bracket	
	126009041	1	Capscrew	
12	J9A0261	1	Plate	
	126009041	1	Capscrew	
13	J9A0264	1	Level, Pump Disconnect	
	1X 1749	1	Screw, Shoulder	
14	126009015	1	Capscrew	
	128003004	1	Washer	
	127004003	1	Locknut	

2 Section Gear Pump Assy

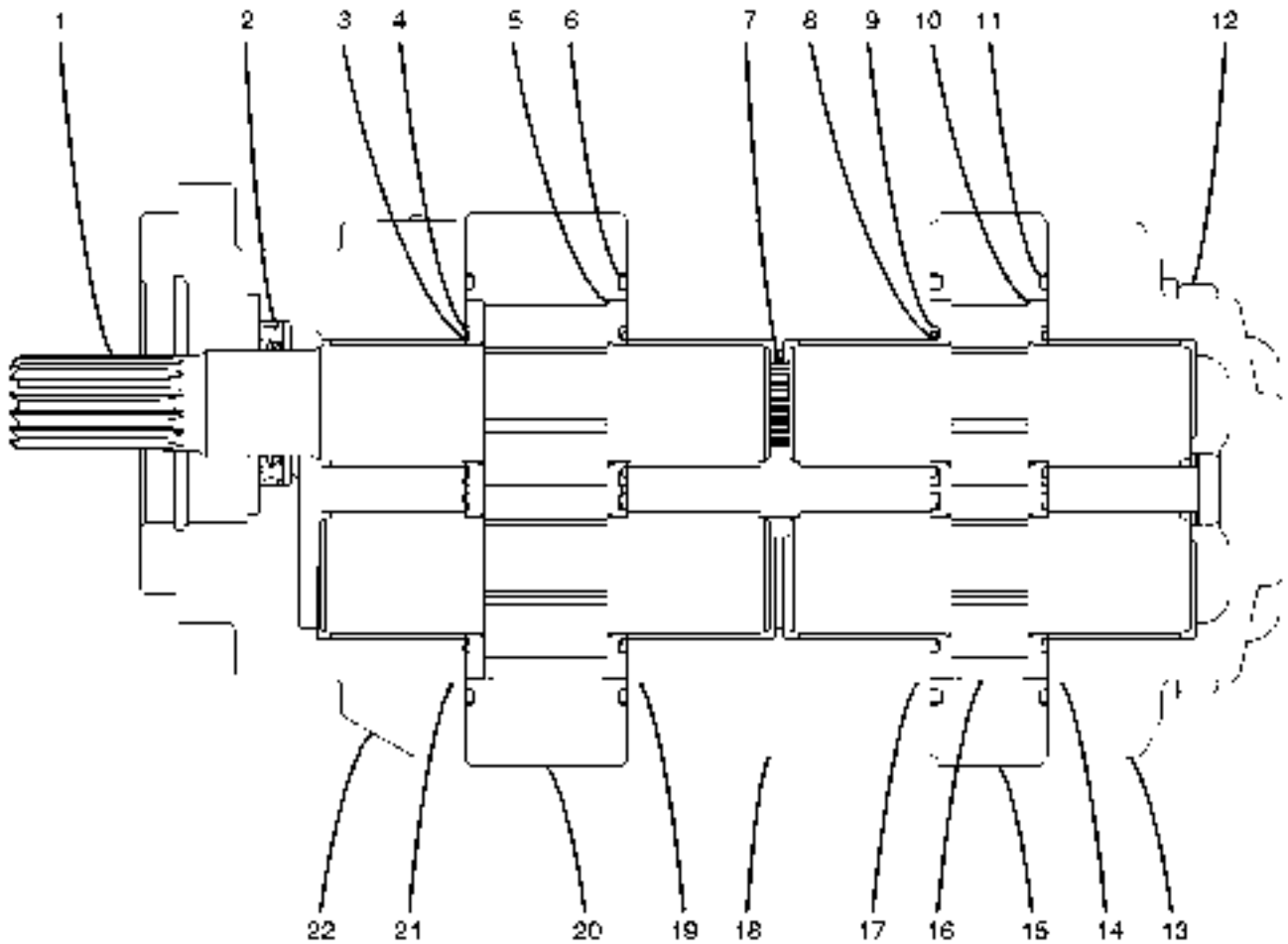


Parts List

1107

2 Section Gear Pump Assy				
REF	PART NO.	QTY	DESCRIPTION	REMARKS
	J6J0202	1	2 Section Gear Pump Assy	
1	3J 6865	1	Plug	
2	3J 18070	4	Stud	
	3J 13331	4	Washer	
	3J 18068	4	Nut	
3	3A 5080	1	Plug	
4	3J 18071	1	Set, Gear & Shaft	
5	3J 2272	1	Seal, Lip	
6	3J 2270	1	Seal, Ring	
7	3J 2262	2	Bearing, Roller	
8	3J 2267	2	Plate, Thrust	
9	3J 3334	2	Seal, Square Ring	
10	3J 2262	2	Bearing, Roller	
11	3J 2270	1	Seal, Ring	
12	3J 2270	1	Seal, Ring	
13	3J 2262	2	Bearing, Roller	
14	3J 3334	2	Seal, Square Ring	
15	3J 2267	2	Plate, Thrust	
16	3J 2262	2	Bearing, Roller	
17	3J 2270	1	Seal, Ring	
18	3J 13334	1	Housing, Port End Cover	
19	3J 5007	6	Seal, Pocket	
20	3J 18073	1	Housing, Gear	
21	3A 13303	1	Set, Gear	
22	3J 5007	6	Seal, Pocket	
23	3J 2253	1	Shaft, Connecting	
24	3J 18072	1	Housing, Bearing Corner	
25	3J 5007	6	Seal, Pocket	
26	3J 18075	1	Housing, Gear	
27	3J 5007	6	Seal, Pocket	
28	3J 18074	1	Housing, Shaft End Cover	

2 Section Gear Pump Assy

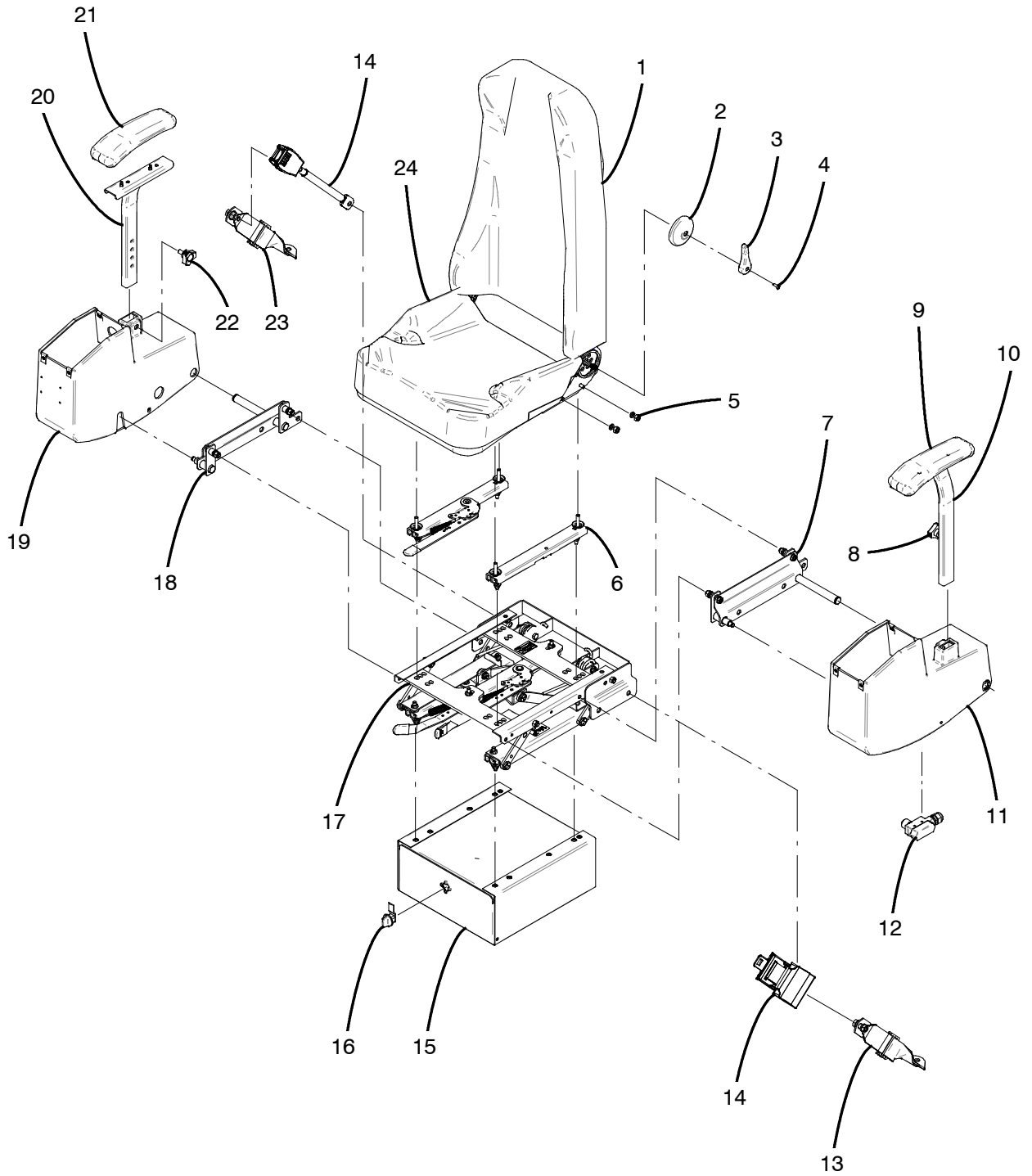


Parts List

1107

2 Section Gear Pump Assy				
REF	PART NO.	QTY	DESCRIPTION	REMARKS
	J6J0201	1	2 Section Gear Pump Assy	
1	3J 18075	1	Set, Gear Shaft	
2	3A 5084	1	Seal, Lip	
3	3J 16012	2	Seal, Back Up	
4	3J 16011	2	Seal, Channel	
5	3J 8977	2	Plate, Thrust	
6	3J 8949	2	Seal, Square Ring	
7	3J 8973	1	Shaft, Connecting	
8	3J 16012	2	Seal, Back Up	
9	3J 16011	2	Seal, Channel	
10	3J 8977	2	Plate, Thrust	
11	3J 8949	2	Seal, Square Ring	
12	3J 1703	4	Stud	
	3J 0764	4	Washer	
	3J 0760	4	Nut	
13	3J 9457	1	Housing, Port End Cover	
14	3J 8974	4	Pin, Dowel	
15	3J 10436	1	Housing, Gear	
16	3J 10406	1	Set, Gear	
17	3J 8974	4	Pin, Dowel	
18	3J 9455	1	Housing, Bearing Carrier	
19	3J 8974	4	Pin, Dowel	
20	3J 18076	1	Housing, Gear	
21	3J 8974	4	Pin, Dowel	
22	3J 8241	1	Housing, Shaft End Cover	

Seat Assy

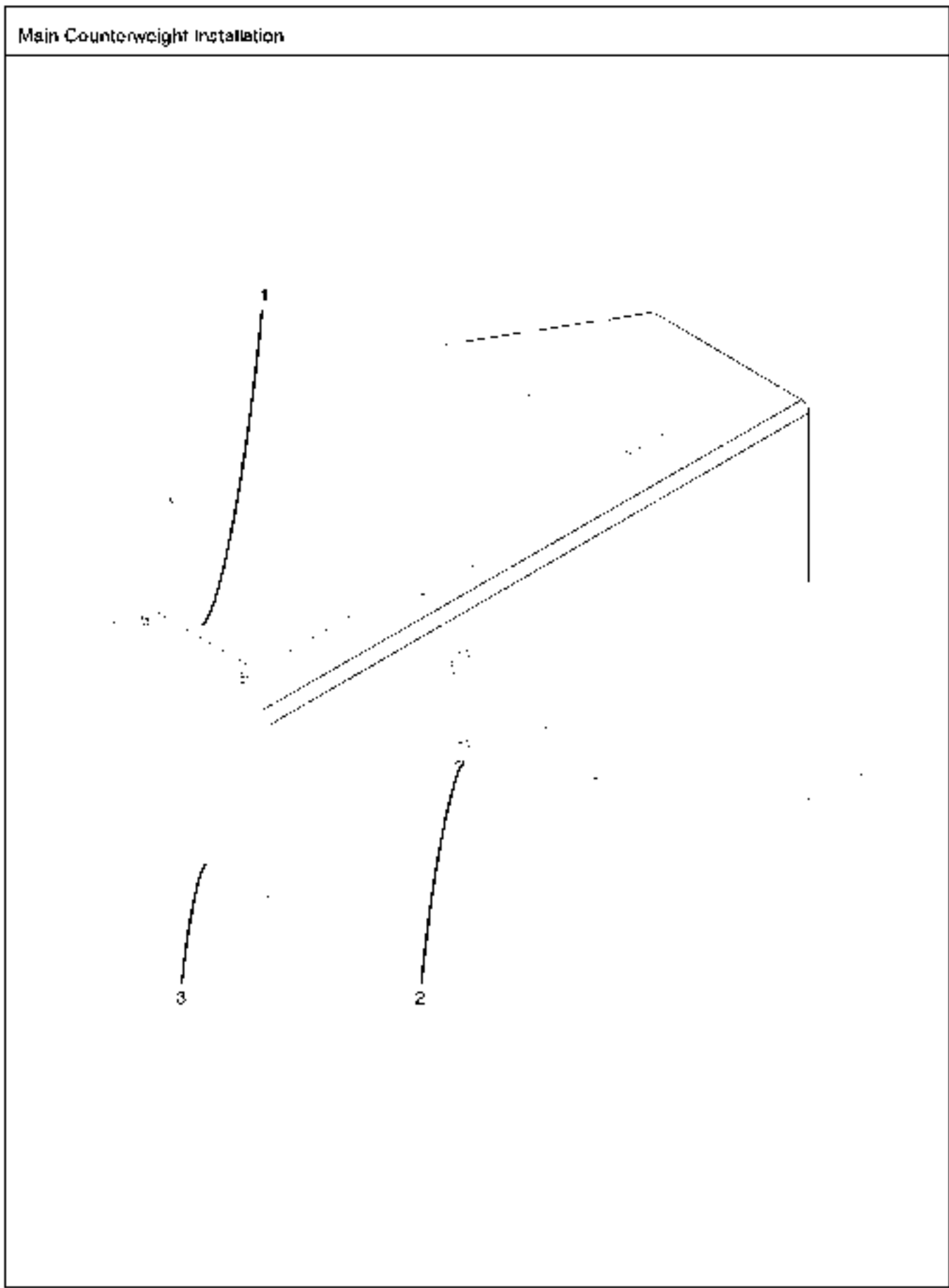


Parts List

0714

Seat Assy				
REF	PART NO.	QTY	DESCRIPTION	REMARKS
	S3N0107	1	Seat Assy	
1	3N 1805	1	Cover, Highback	
2	3N 1809	1	Cover, Recliner	
	3N 1808	1	Kit, Recliner Lever	
3	REF	1	Lever	
4	REF	1	Screw	
5	3N 1816	1	Hardware, Recliner	
	REF	3	Washer	
	REF	3	Nut	
6	3N 1810	1	Seat Adjustment Track Assy	
7	3N 1815	1	Bracket, Joystick Mounting	
8	3N 1669	1	Knob, Armrest Adjustment	
9	3N 1812	1	Pad, Armrest	
10	3N 1453	1	Armrest	
11	3N 1455	1	Cover, Joystick Arm	
12	D3R0049	1	Switch, Limit	
13	3N 1807	1	Kit, Tether	
	REF	1	Tether	
	REF	2	Screw	
	REF	2	Washer	
	REF	2	Nut	
14	3N 1670	1	Kit, Seat Belt	
	REF	1	Belt, Seat	
	REF	2	Screw	
	REF	1	Spacer	
	REF	1	Washer	
	REF	2	Nut	
15	3N 1811	1	Box, Tool	
16	3N 1667	1	Lock, Adjustable Latch	
17	3N 1129	1	Riser, Seat	
18	3N 1814	1	Bracket, Joystick Mounting	
19	3N 1813	1	Cover, Joystick Arm	
20	3N 1453	1	Armrest	
21	3N 1812	1	Pad, Armrest	
22	3N 1669	1	Knob, Armrest Adjustment	
23	3N 1807	1	Kit, Tether	
	REF	1	Tether	
	REF	2	Screw	
	REF	2	Washer	
	REF	2	Nut	
24	3N 1806	1	Cover, Cushion	

Main Counterweight Installation

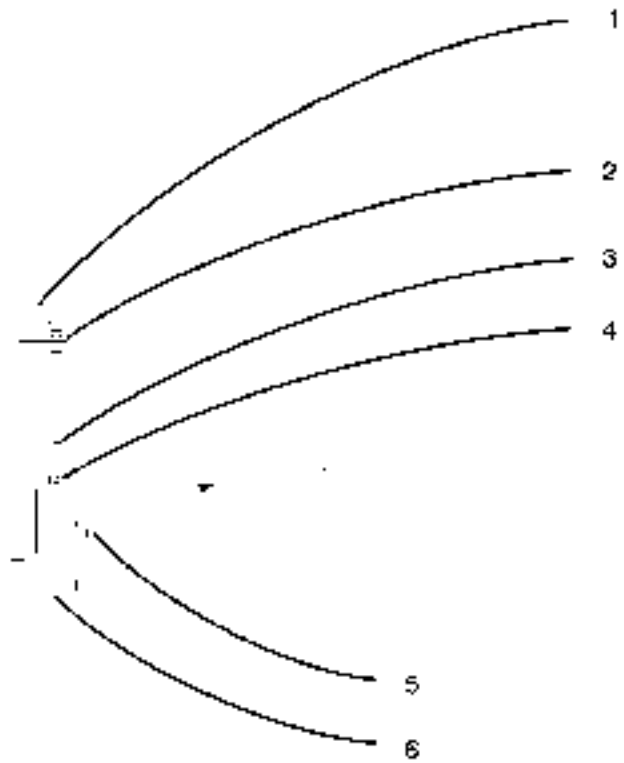


Parts List

0313

Main Counterweight Installation				
REF	PART NO.	QTY	DESCRIPTION	REMARKS
1	F1B0009	3	Handle, Grab	
	128003004	6	Washer	
	127004003	6	Locknut	
2	1X 7002	4	Capscrew	
	128003014	4	Washer - 2" OD	
	D7B0008	4	Washer - 3" OD	
3	J6B0040	1	Counterweight	

2 Position Swing Lock

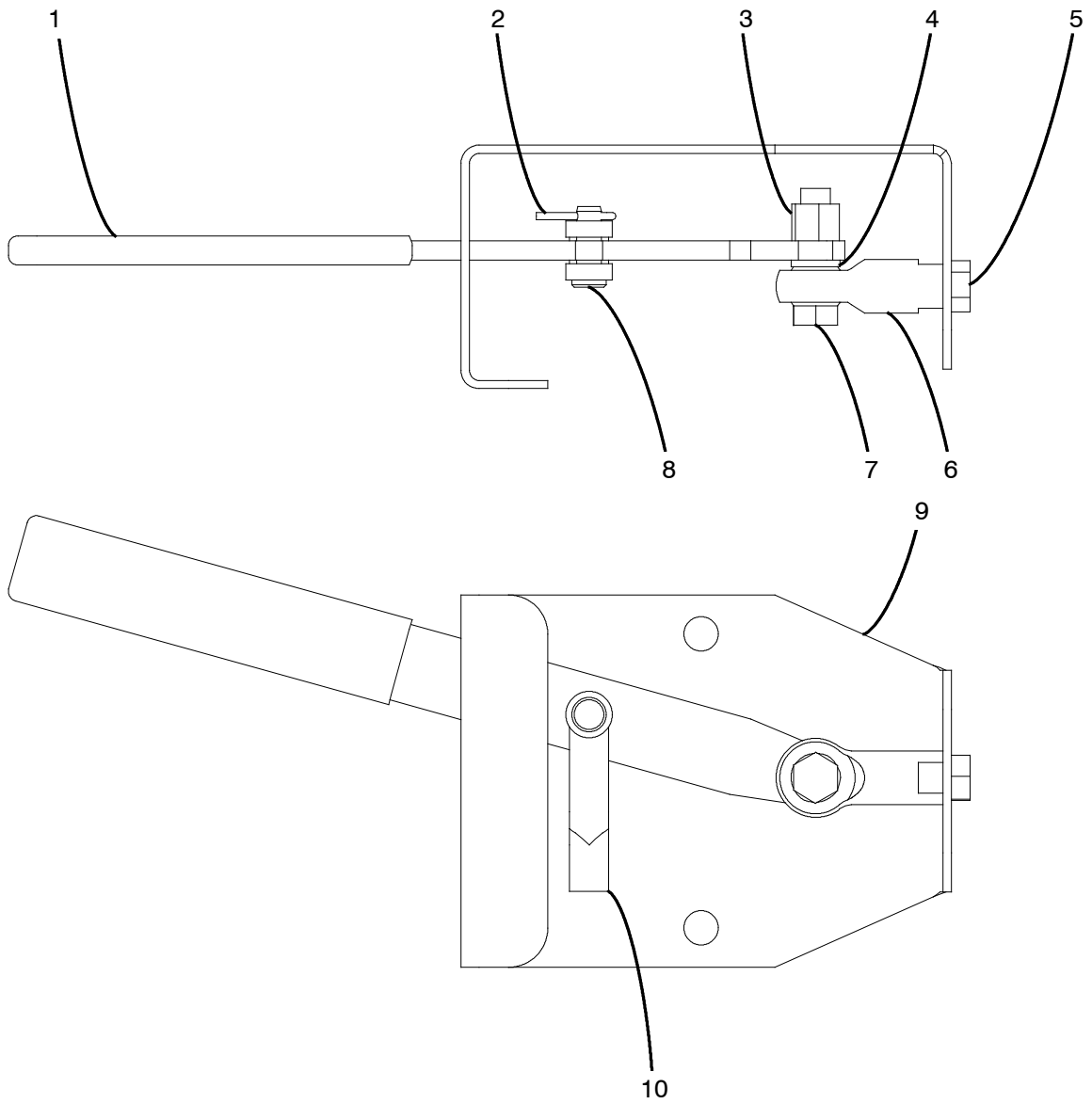


Parts List

0609

2 Position Swing Lock				
REF	PART NO.	QTY	DESCRIPTION	REMARKS
1	J9F0008	1	Bracket	
	128003004	2	Washer	
	127004003	2	Locknut	
2	128003008	2	Washer	
3	IX 0193	1	Nut, Jam	
	47F0034	1	End. Yoke	
4	150007003	1	Pin. Cotter	
	HC 0115	1	Pin. Clevis	
5	IX 0812	1	Fitting, Grease	
6	D7F0003	1	Plunger	

Swing Lock Lever S/A

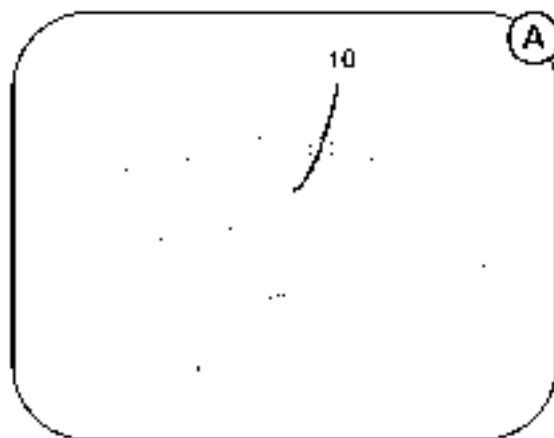
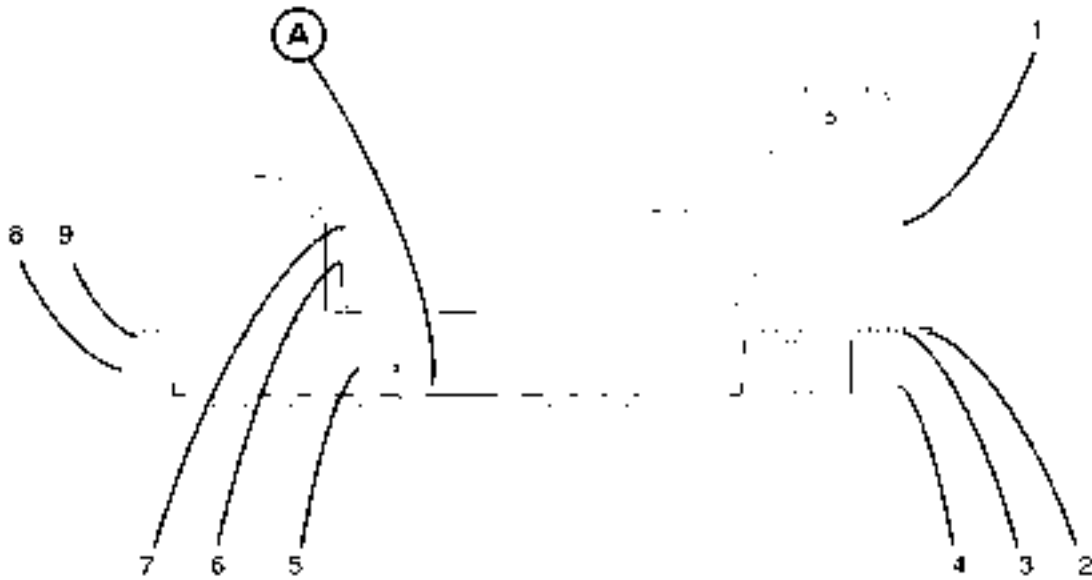


Parts List

0714

Swing Lock Lever S/A				
REF	PART NO.	QTY	DESCRIPTION	REMARKS
1	J9N0004	1	Swing Lock Lever S/A	NSS
	J9N0003	1	Lever, Swing Lock	
	N4N0138	1	Grip, Handle	
2	150007003	1	Pin, Cotter	
3	127004003	1	Locknut	
4	128003003	1	Washer	
5	1X 7502	1	Capscrew	
6	39J0293	1	End, Rod	
7	126009015	1	Capscrew	
8	HC 0115	1	Pin	
9	J9N0019	1	Bracket, Swing Lock	
10	47F0034	1	End, Yoke	

Swing Reduction & Turntable Bearing Installation

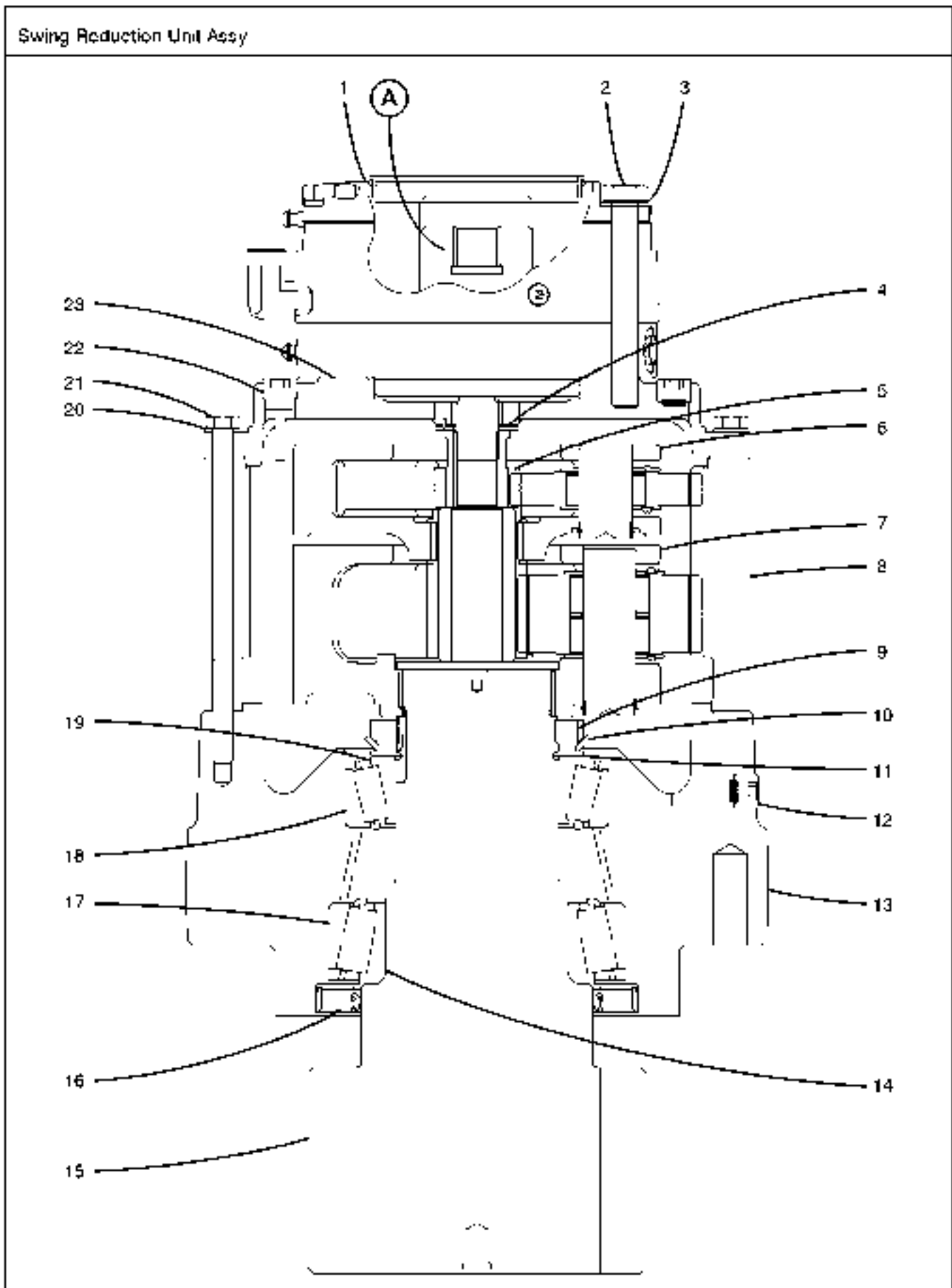


Parts List

0510

Swing Reduction & Turntable Bearing Installation				
REF	PART NO.	QTY	DESCRIPTION	REMARKS
1	REF	1	Swing Reduction Unit Assy – See Keysheet 04-010	
	AC 1788	1	O-ring	
2	126009012	3	Capscrew	
	128003004	3	Washer	
3	1X 5501	10	Capscrew	
4	F7F0002	1	Cover Pinion	
5	810040005	2	Tubing, Air Brake – 2.33'	
	1X 7337	2	Elbow	
6	1X 4772	2	Connector	
7	1X 0812	2	Fitting, Grease	
8	F7B0001	1	Bearing, Turntable – Rolek	
	36 0289	71	Ball	
	36 0290	71	Spacer	
	E2B0276	1	Seal – 22'	
	36 0287	1	Setscrew	
	36 0288	2	Fitting, Grease	
	F7B0002	1	Bearing, Turntable Kaydon	F1
9	1X 3929	67	Capscrew	
	1X 5191	67	Washer	
10	1X 8011	1	Setscrew	
	F1		No Service Parts Are Available For Kaydon Turntable Bearings.	

Swing Reduction Unit Assy

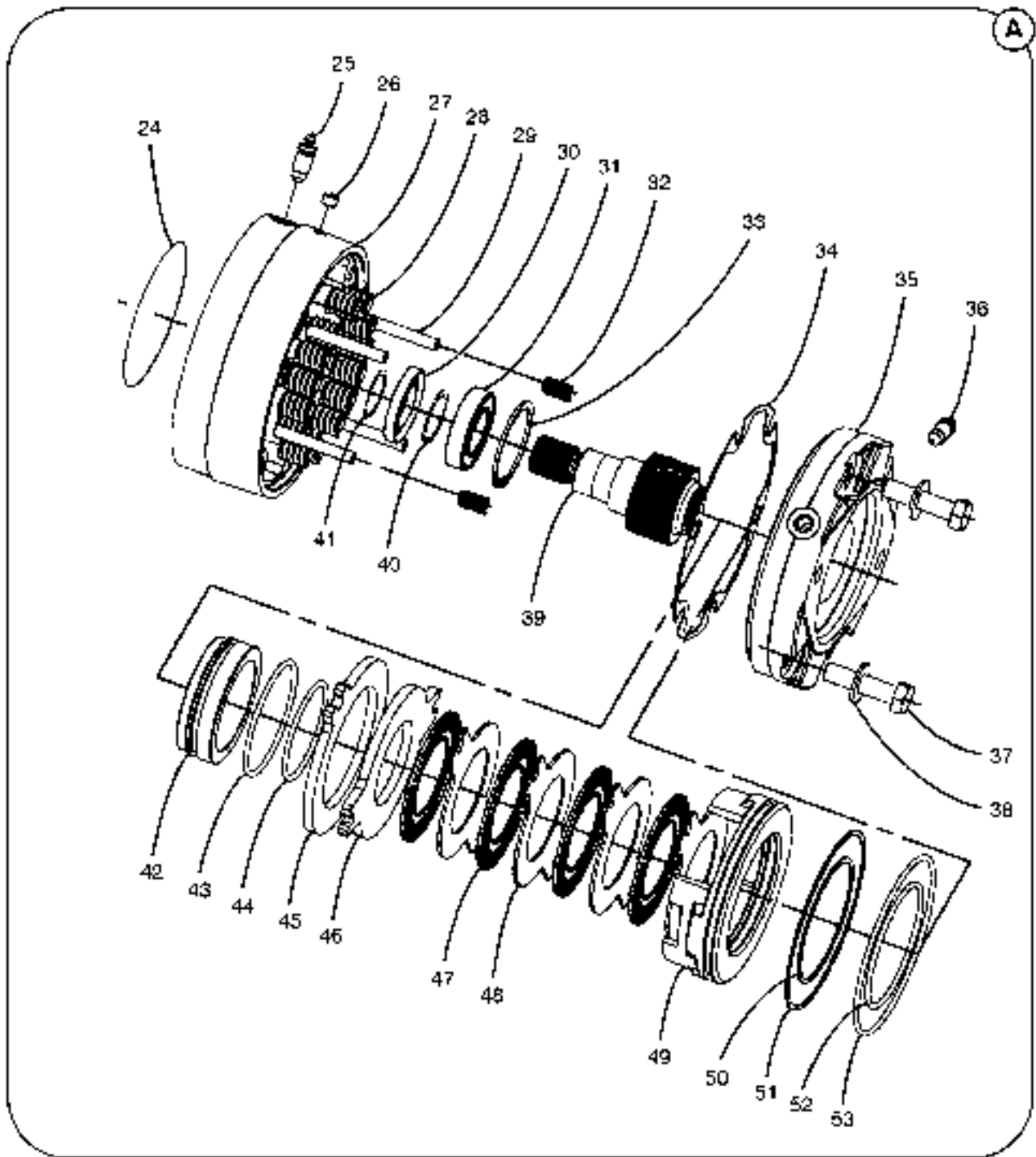


Parts List

0111

Swing Reduction Unit Assy				
REF	PART NO.	QTY	DESCRIPTION	REMARKS
	J6F0005	1	Swing Reduction Unit Assy	
1	3F 0989	1	O-ring	
2	3F 0886	2	Bolt	
3	3F 0887	2	Washer	
4	3D 0222	1	Washer, Thrust	
5	3F 0730	1	Gear, Sun	
6	3F 0991	1	Primary Carrier Assy	
7	3F 0990	1	Secondary Carrier Assy	
8	3F 0695	1	Gear, Ring	
9	3F 0694	1	Locknut	
10	3F 0693	1	Lockwasher	
11	3F 0692	1	Washer, Thrust	
12	3F 0728	3	Plug	
13	3F 0732	1	Hub	
14	3F 0686	1	Cone, Bearing	
15	3F 0731	1	Shall, Output	
16	3F 0727	1	Seal, Oil	
17	3F 0587	1	Cup, Bearing	
18	3F 0590	1	Cup, Bearing	
19	3F 0591	1	Cone, Bearing	
20	3F 0700	24	Washer	
21	3F 0599	24	Bolt	
22	3F 1011	1	Plug	
23	3F 0993	1	Cover	
	3F 0588	1	Plug - Not Shown	

Swing Reduction Unit Assy

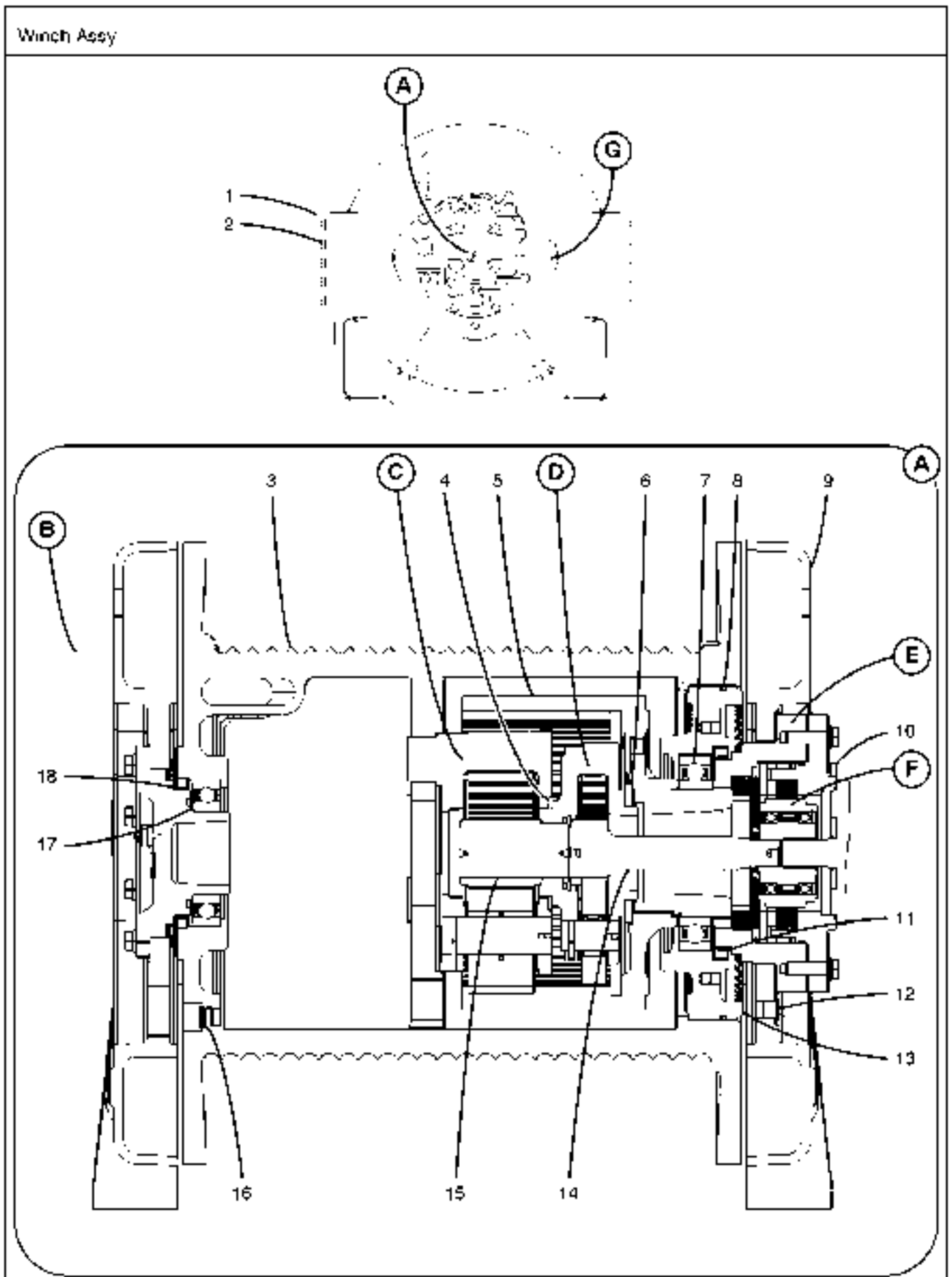


Parts List

0111

Swing Reduction Unit Assy				
REF	PART NO.	QTY	DESCRIPTION	REMARKS
	3F 0992	1	Brake Assy	
24	3F 0996	1	O-ring	
25	3D 0197	1	Bleeder	
26	3F 0912	3	Plug	
27	3F 0894	1	Housing	
28	3F 0903	11	Spring	
29	3F 0911	4	Pin, Torque	
30	3F 0994	1	Seal, Oil	
31	3F 0902	1	Bearing, Ball	
32	3F 0910	2	Spring	
33	3F 0898	1	Ring, Retaining	
34	3F 0893	1	Gasket	
35	3F 0892	1	Plate, Power	
36	3D 0197	1	Bleeder	
37	3F 0891	2	Capscrew	
38	3F 0890	2	Washer	
39	3F 0899	1	Shaft	
40	3F 0900	1	Ring, Retaining	
41	3F 0995	1	Ring, Retaining	
42	3F 0896	1	Piston, Service	
43	3F 0895	1	O-ring	
44	3F 0897	1	O-ring	
45	3F 0905	1	Disc, Primary	
46	3F 0906	1	Disc, Secondary	
47	3F 0908	4	Disc, Rotating	
48	3F 0907	5	Disc, Stationary	
49	3F 0909	1	Piston	
50	3J 9497	1	Ring, Back Up	
51	3J 9499	1	Ring, Back Up	
52	3J 9498	1	O-ring	
53	3J 9500	1	O-ring	
	3F 0997	1	Elbow - Not Shown	

Winch Assy

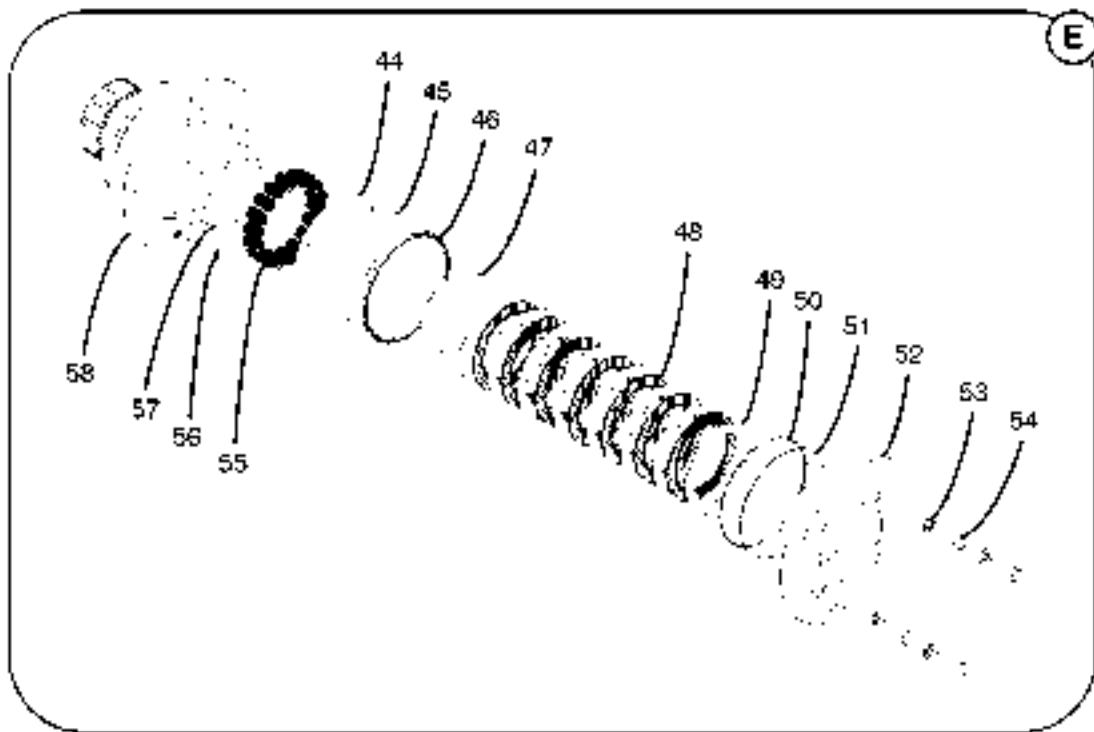
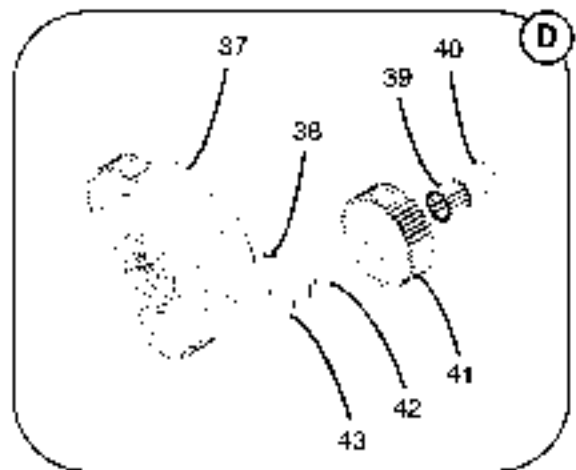
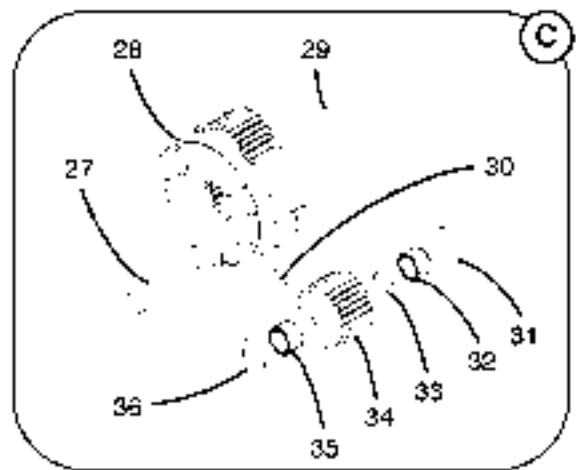
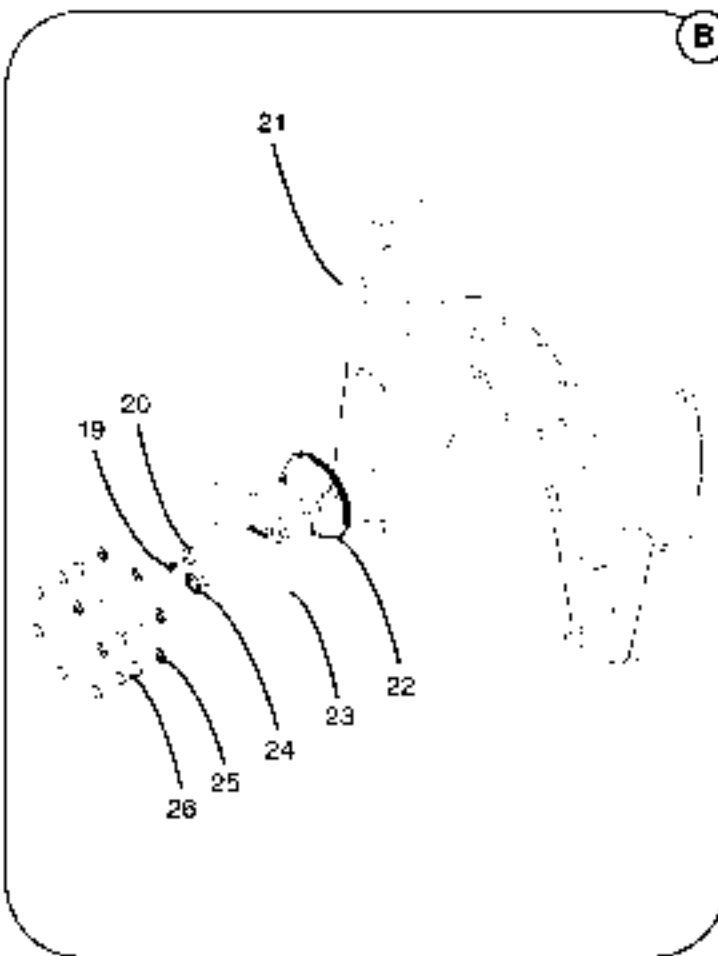


Parts List

1012

Winch Assy				
REF	PART NO.	QTY	DESCRIPTION	REMARKS
	J6D0011	1	Winch Assy	
1	3D 1639	1	Plate, Tie	
	3D 1640	1	Plate, Tie - With Cutout	
2	3D 1779	20	Capscrew	
	3D 0364	20	Lockwasher	
3	3D 1638	1	Drum, Cable	
4	3D 1577	1	Washer, Thrust	
5	3D 2440	1	Gear, Ring	
6	3D 0978	1	Washer, Thrust	
7	3D 0343	1	Bearing, Ball	
8	3D 1578	1	O-ring	
9	3D 1634	1	Plate, Motor End	
10	3D 1635	8	Capscrew	
	3D 0364	8	Lockwasher	
11	3D 1579	1	Seal	
12	3D 2103	1	Caplug	
13	3D 1610	1	Closure, Drum	
14	3D 1637	1	Gear, Primary Sun	
15	3D 1575	1	Gear, Output Sun	
16	3J 11392	2	Plug Assy	
17	3D 0342	1	Bearing, Ball	
18	3D 2390	1	Seal	

Winch Assy

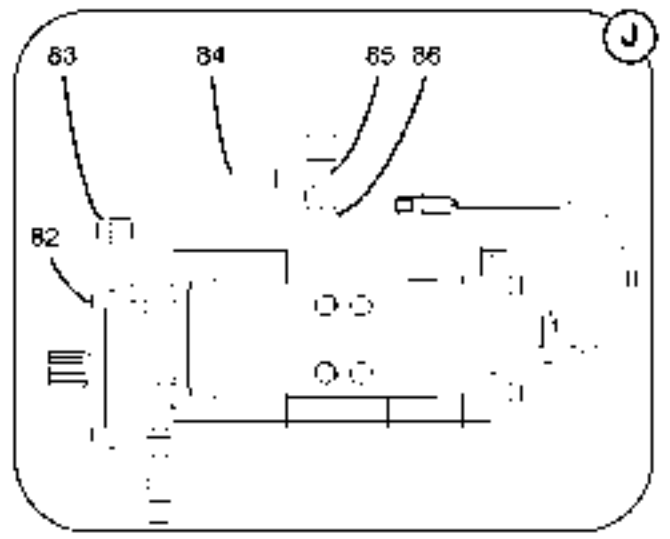
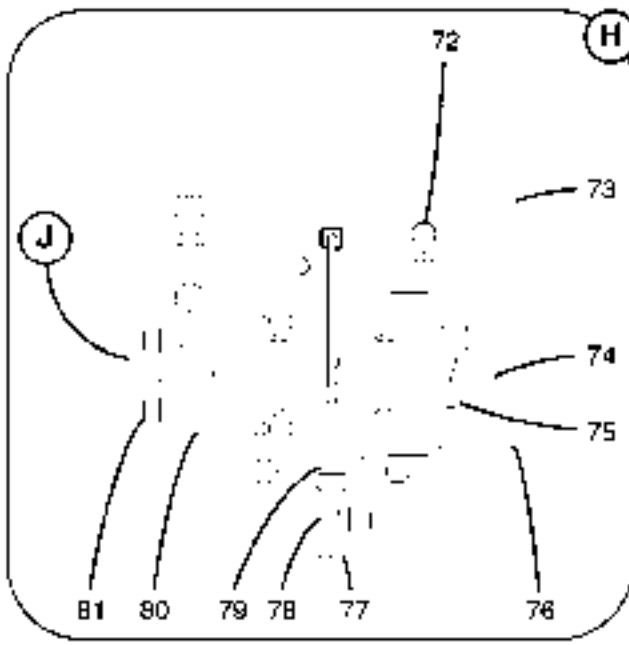
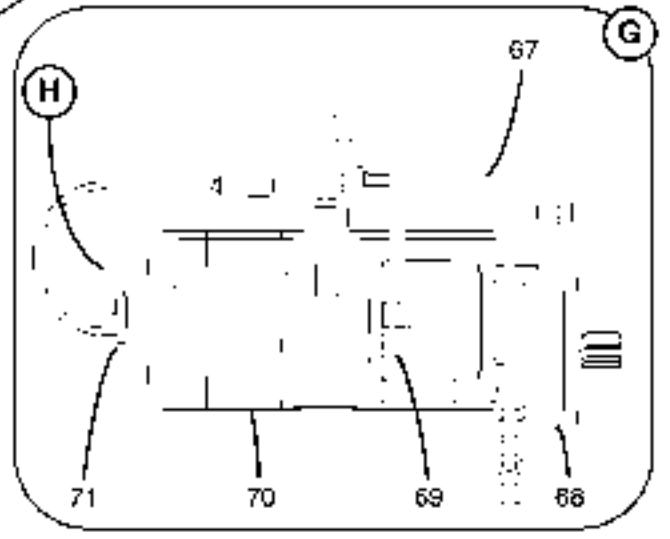
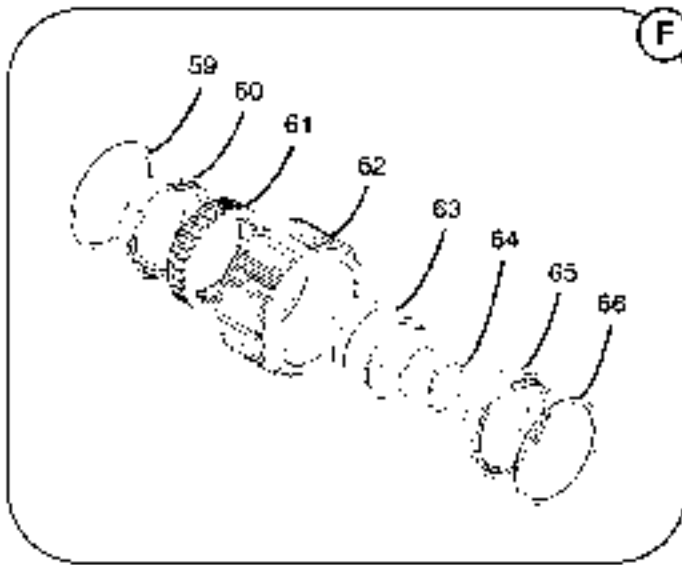


Parts List

1012

Winch Assy				
REF	PART NO.	QTY	DESCRIPTION	REMARKS
	3D 1632	1	Drum Support Assy	
19	3D 0841	1	Plug, Vent	
20	3D 0336	1	Bushing, Reducer	
21	3D 1646	1	Plate, Support End	
22	3D 2109	1	Seal, V-ring	
23	3D 0334	1	Support, Bearing	
24	3D 0967	1	Gauge, Sight	
25	3D 0364	8	Lockwasher	
26	3D 1993	8	Capscrew	
	3D 1569	1	Output Planet Carrier Assy	
27	3D 1805	3	Shaft, Output Planet	
28	3D 1803	1	Carrier, Output Planet	
29	3D 1809	1	Plate, Thrust	
30	3D 0484	3	Pin, Spirol	
31	3D 1806	3	Washer, Thrust	
32	3D 1807	66	Roller	
33	3D 1808	3	Spacer, Bearing	
34	3D 1804	3	Gear, Output Planet	
35	3D 1807	66	Roller	
36	3D 1806	3	Washer, Thrust	
	3D 2429	1	Primary Carrier Assy	
37	3D 2430	1	Carrier, Primary Planet	
38	3D 0333	3	Pin, Spirol	
39	3J 11375	3	Bearing, Roller	
40	3J 11377	3	Washer, Thrust	
41	3D 2431	3	Gear, Primary Planet	
42	3D 2432	3	Shaft, Primary Planet Gear	
43	3J 11377	3	Washer, Thrust	
	3D 1630	1	Brake Cylinder Assy	
44	3D 1593	1	Plate, Pressure	
45	3D 1592	1	Ring, Back Up	
46	3D 1591	1	Seal	
47	3D 1594	1	Spacer	
48	3D 1590	7	Disc, Friction	
49	3D 1589	8	Disc, Brake	
50	3D 1494	1	O-ring	
51	3D 1596	1	Ring, Back Up	
52	3D 1643	1	Adaptor	
53	3D 0364	4	Lockwasher	
54	3D 2097	4	Capscrew	
55	3D 0726	18	Spring	
56	3D 1220	1	O-ring	
57	3D 1595	1	Spacer, Spring	
58	3D 1642	1	Cylinder, Brake	
	3D 1597	1	Plug	

Winch Assy

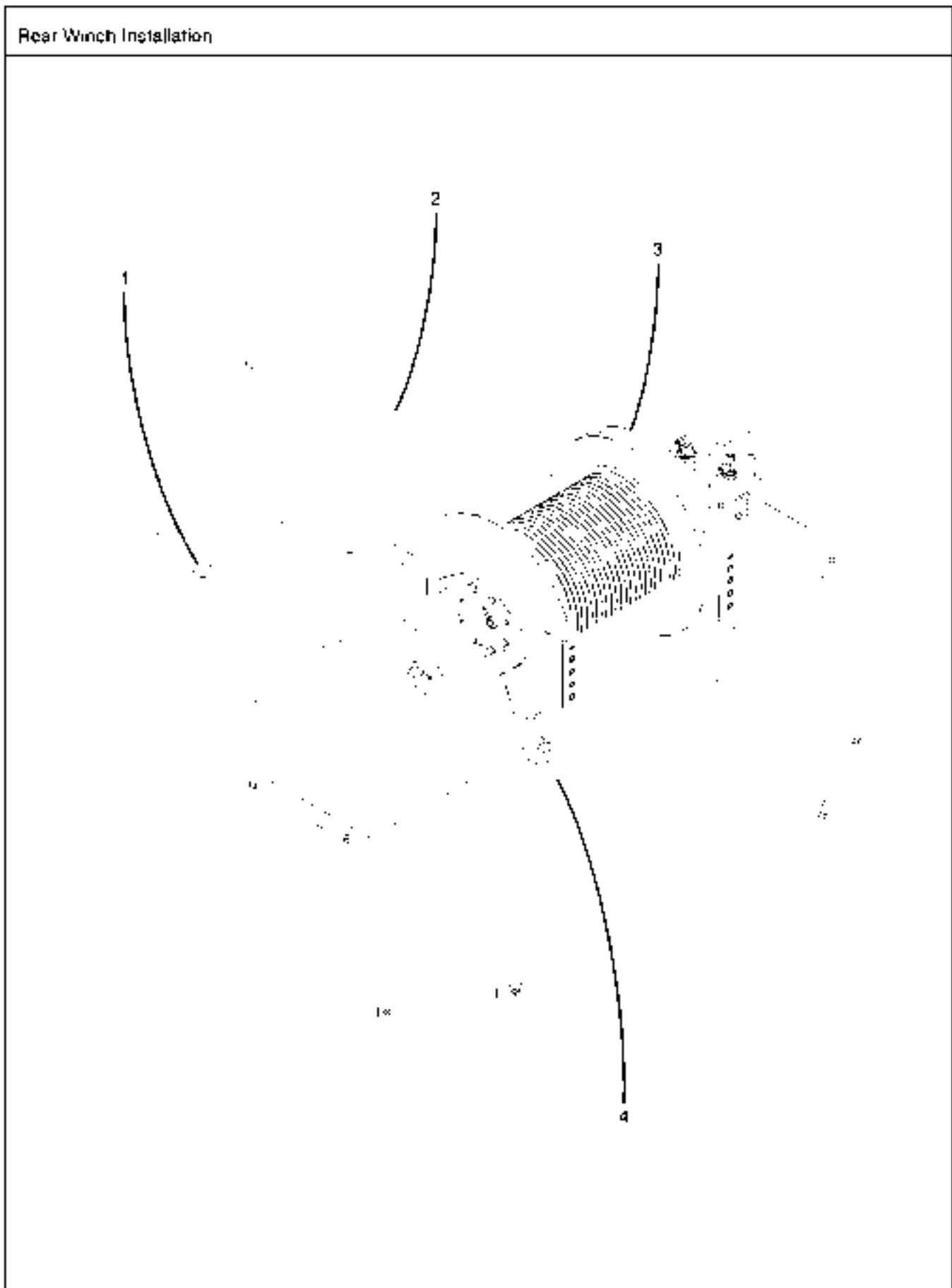


Parts List

1012

Winch Assy				
REF	PART NO.	QTY	DESCRIPTION	REMARKS
	3D 1629	1	Over-running Clutch Assy	
59	3D 1586	1	Ring, Retaining	
60	3D 1585	1	Bearing, Ball	
61	3D 2385	1	Clutch, Over-running	
62	3D 2117	1	Race, Outer	
63	3D 2119	1	Race, Inner	
64	3D 0350	1	Ring, Retaining	
65	3D 1585	1	Bearing, Ball	
66	3D 1586	1	Ring, Retaining	
	3D 2433	1	Hydraulic Motor Assy	
67	3D 1648	1	Tube Assy	
68	3J 7064	1	O-ring	
69	3D 1223	1	Elbow	
70	3D 1470	1	Winch Motor Assy - See Keysheet 07-006-455.00	
71	3D 2436	1	Sensor, Speed/Direction	
	3D 2437	1	Clamp	
	3D 2439	1	Capscrew	
	3D 2438	1	Washer	
72	3D 1359	1	Elbow	
73	3D 1227	1	Tube Assy	
74	3D 0777	1	O-ring	
75	3D 1363	1	Plug	
76	3D 1228	1	Block, Manifold	
77	3D 1425	1	Cap	
78	3D 1451	1	Tee	
79	3D 1420	1	Fitting, Adaptor	
80	3D 2434	1	Valve, Brake	
	3D 2435	1	Kit, Relief	
81	3D 1314	4	Capscrew	
	3D 1231	4	Lockwasher	
82	3D 1469	4	Capscrew	
	3D 0364	4	Lockwasher	
83	3D 1447	1	Fitting, Adaptor	
84	3D 1647	1	Tube Assy	
85	3D 1225	1	Tee	
86	3D 1224	1	Fitting, Reducer	

Rear Winch Installation

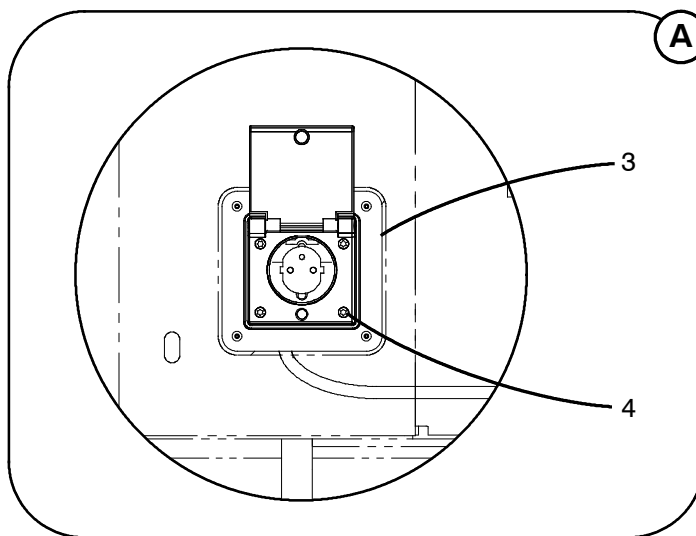
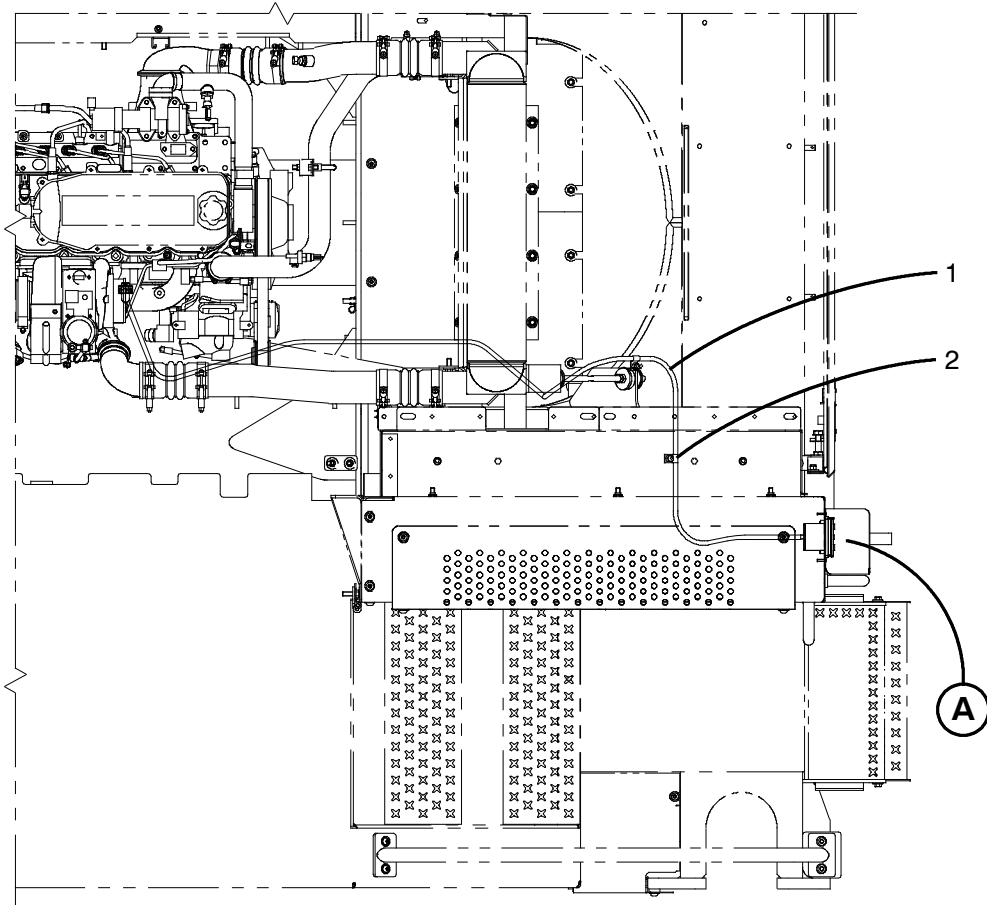


Parts List

0213

Rear Winch Installation				
REF	PART NO.	QTY	DESCRIPTION	REMARKS
1	1260C9074	4	Capscrew	
	1280C3012	4	Washer	
2	E9B0015	1	Counterweight, Auxiliary	
3	REF	1	Winch Assy See Keysheet 05 005	
4	F7B0033	4	Spacer	
	1X 3848	4	Capscrew	
	1X 5190	4	Washer	

240V Engine Block Heater Installation



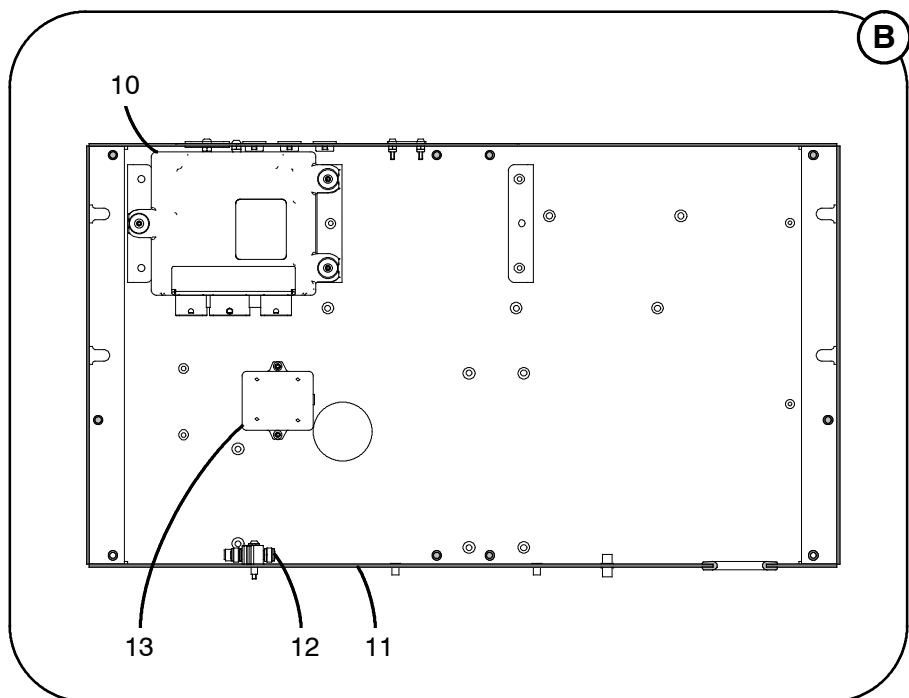
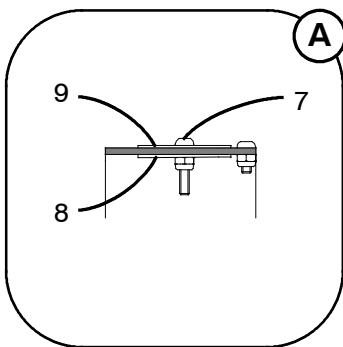
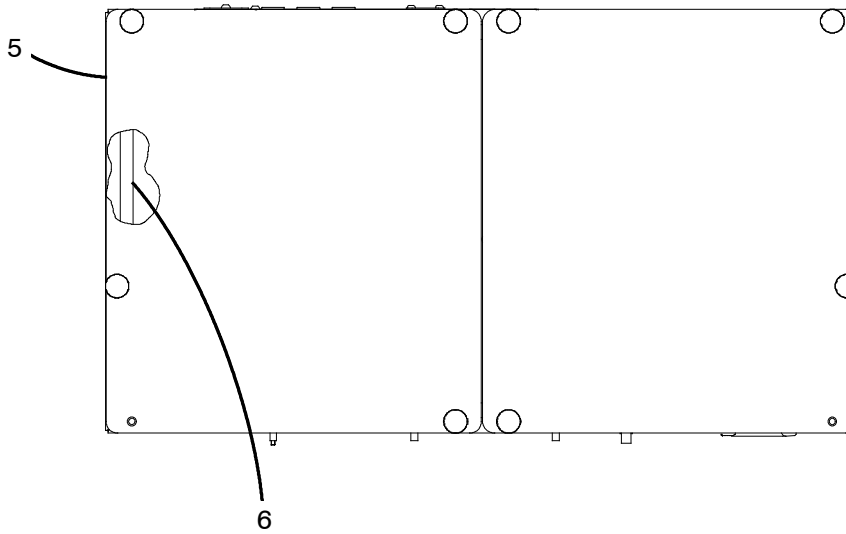
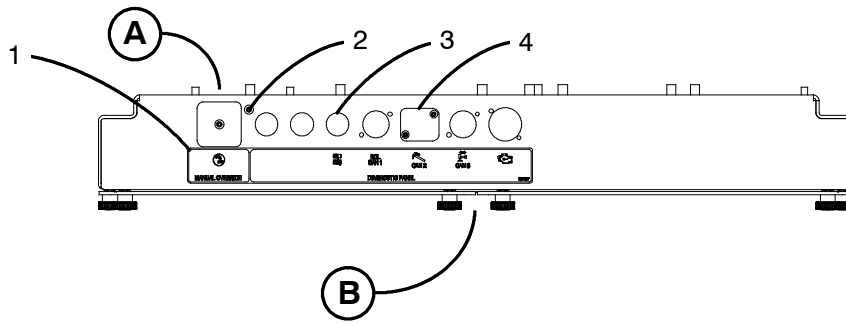
Parts List

0814

240V Engine Block Heater Installation

REF	PART NO.	QTY	DESCRIPTION	REMARKS
1	N4A0881	1	Cord, Engine Heater	
	71J0005	3	Tie, Cable	
2	39J0218	2	Clamp	
	127004003	2	Locknut	
3	N4A0988	1	Plate, Mounting	
	126018008	4	Screw	
4	1X 8446	4	Screw, Machine	

Upper Electrical Control Panel Assy

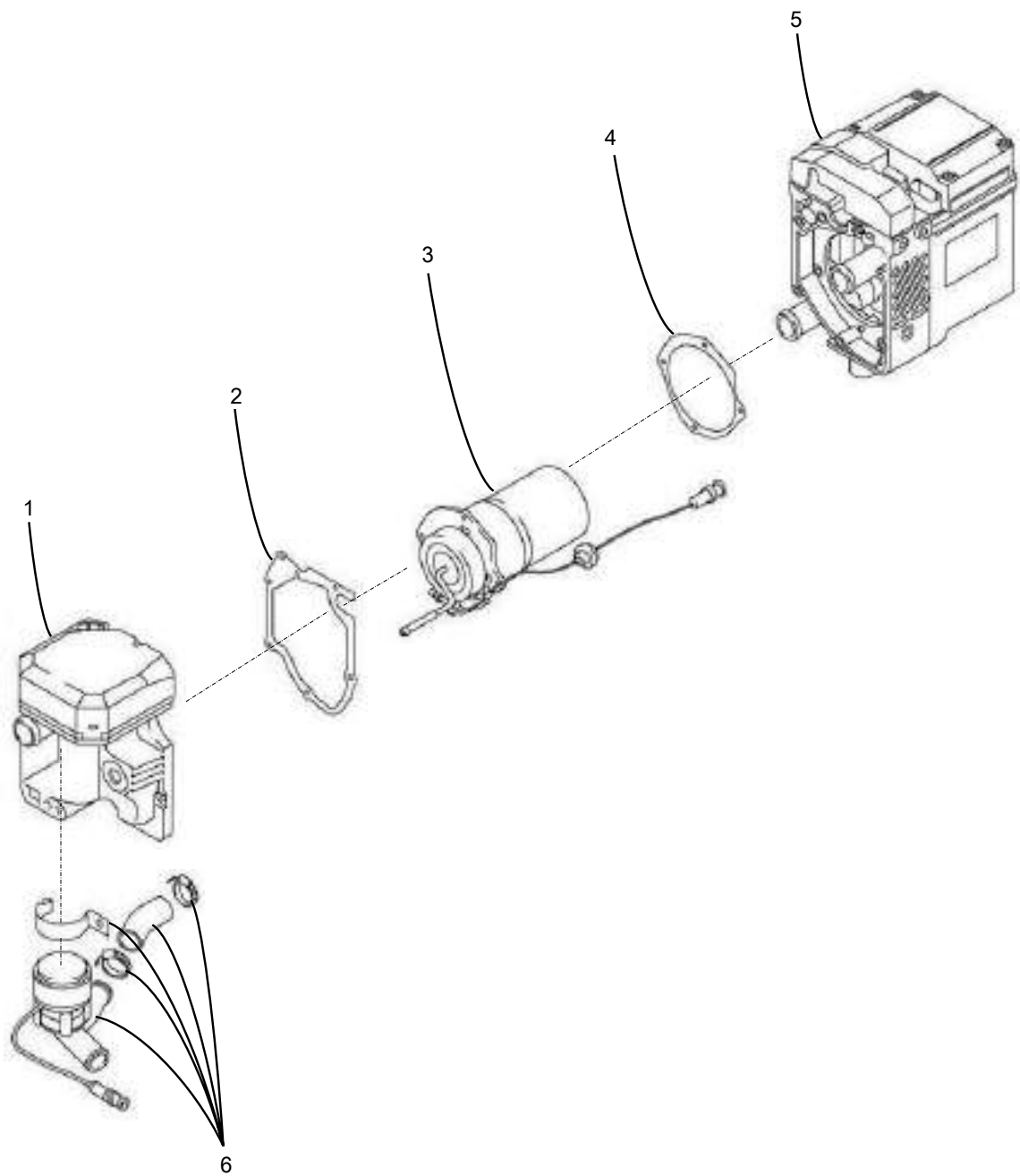


Parts List

0814

Upper Electrical Control Panel Assy				
REF	PART NO.	QTY	DESCRIPTION	REMARKS
	J9N0058	1	Upper Electrical Control Panel Assy	
1	N3P0377	1	Label, Upper Diagnostics ID	
2	1X 7904	1	Screw, Machine	
	1X 4638	1	Locknut	
3	R8N0095	3	Cover	
4	J9N0052	1	Sheet	
	1X 8281	2	Screw, Machine	
	1X 5064	2	Locknut	
5	N4N0118	2	Door	
	S2N0095	8	Knob	
6	824056001	1	Trim	
7	1X 7906	1	Screw, Machine	
	1X 4638	1	Locknut	
8	J9N0051	1	Sheet	
9	J9N0051	1	Sheet	
10	S2R0005	1	Module, Electronic Control	
	1X 7906	1	Screw, Machine	
11	N3N0496	1	Panel, Upper Electrical	
12	S2R0149	1	Splitter, Cable	
	1X 8412	1	Screw	
	1X 4438	1	Washer	
13	P9R0174	1	Controller, DRI	
	1X 7904	2	Screw, Machine	

Diesel Coolant Heater Assy

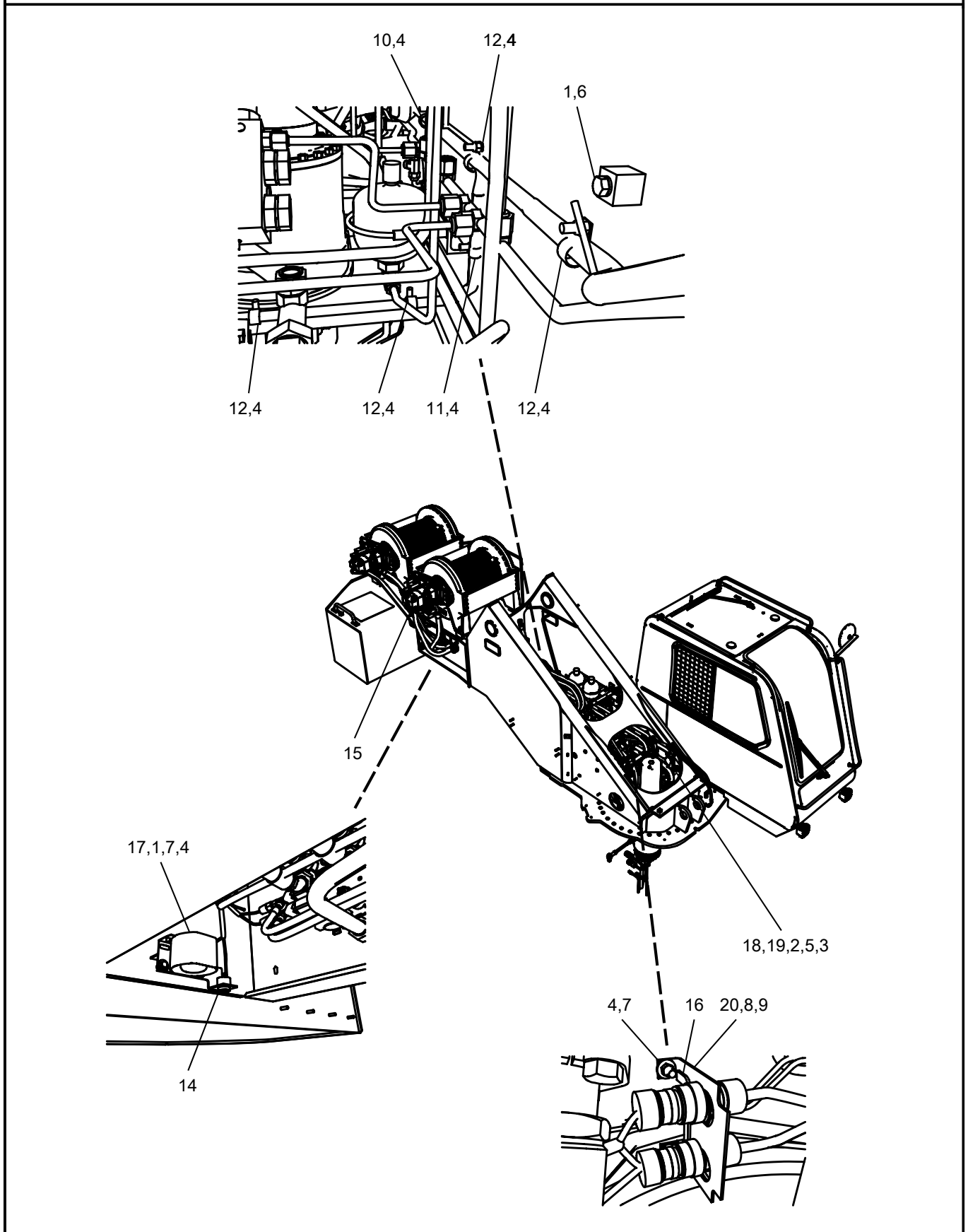


Parts List

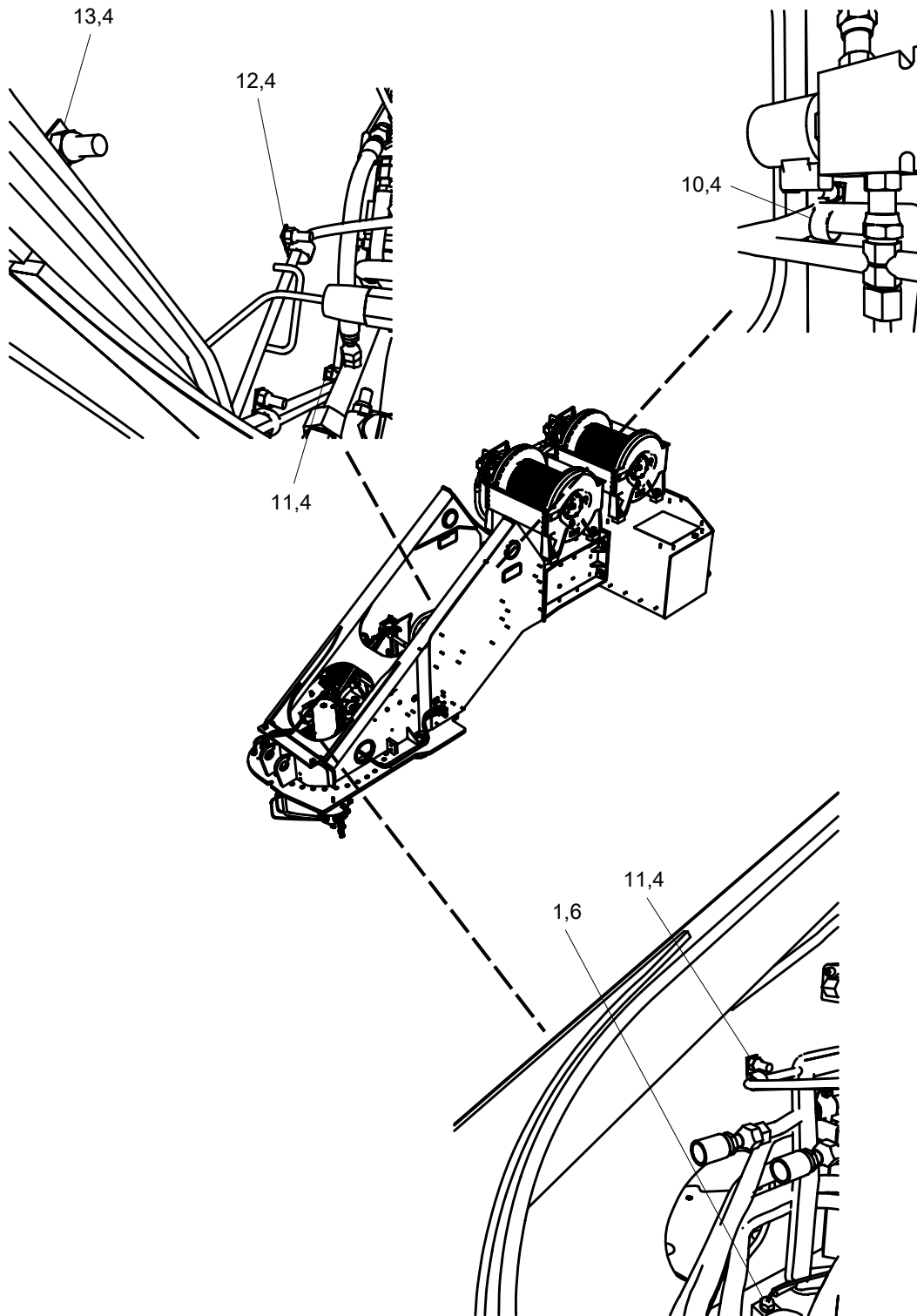
0117

Diesel Coolant Heater Assy				
REF	PART NO.	QTY	DESCRIPTION	REMARKS
	N4N0043	1	Diesel Coolant Heater Assy	
1	3N 1326	1	•Fan, Combustion Air	
2	REF	1	••Gasket	
3	3N 1325	1	•Burner	
4	REF	1	••Gasket	
5	3N 1328	1	•Unit, Burner Head/Heat Exchanger/Control	
6	3N 1327	1	•Pump, Circulation	
7	3N 1329	1	•Kit, Seal - All Items Marked KA	
	Note 1		The Following Parts Are Available to be Purchased Separately for Diagnostic Purposes on the Diesel Coolant Heater	
	3N 1330	1	Kit, PC Diagnostics Interface	
	3N 1331	1	Adapter	
	N4R0150	1	Wire Assy, Diagnostic	

Upper Wiring



Upper Wiring



Parts List

0916

Upper Wiring				
REF	PART NO.	QTY	DESCRIPTION	REMARKS
1	126009013	5	Capscrew	
2	126009094	1	Capscrew	
3	127004002	1	Locknut	
4	127004003	17	Locknut	
5	128003002	1	Washer	
6	128003003	3	Washer	
7	128003004	4	Washer	
8	155285002	2	Nut	
9	155286002	2	Lockwasher	
10	1X 6407	2	Clamp	
11	1X 6511	4	Clamp	
12	1X 7192	6	Clamp	
13	39J0218	1	Clamp	
14	65R0203	1	Alarm, Audio	
15	71J0005	32	Tie, Cable	
16	824025005	1	Trim	0.58'
17	E1R0028	1	Back-Up Alarm S/A	NSS
	155064005	2	•Seal, Cable	
	155106001	2	•Terminal	
	155108001	1	•Connector	
	155140001	1	•Lock, Secondary	
	E1R0027	1	•Alarm, Back Up	
18	E8R0038	1	Horn	
19	E8R0040	1	Bracket	
20	L8R0418	1	Bracket Bulkhead	

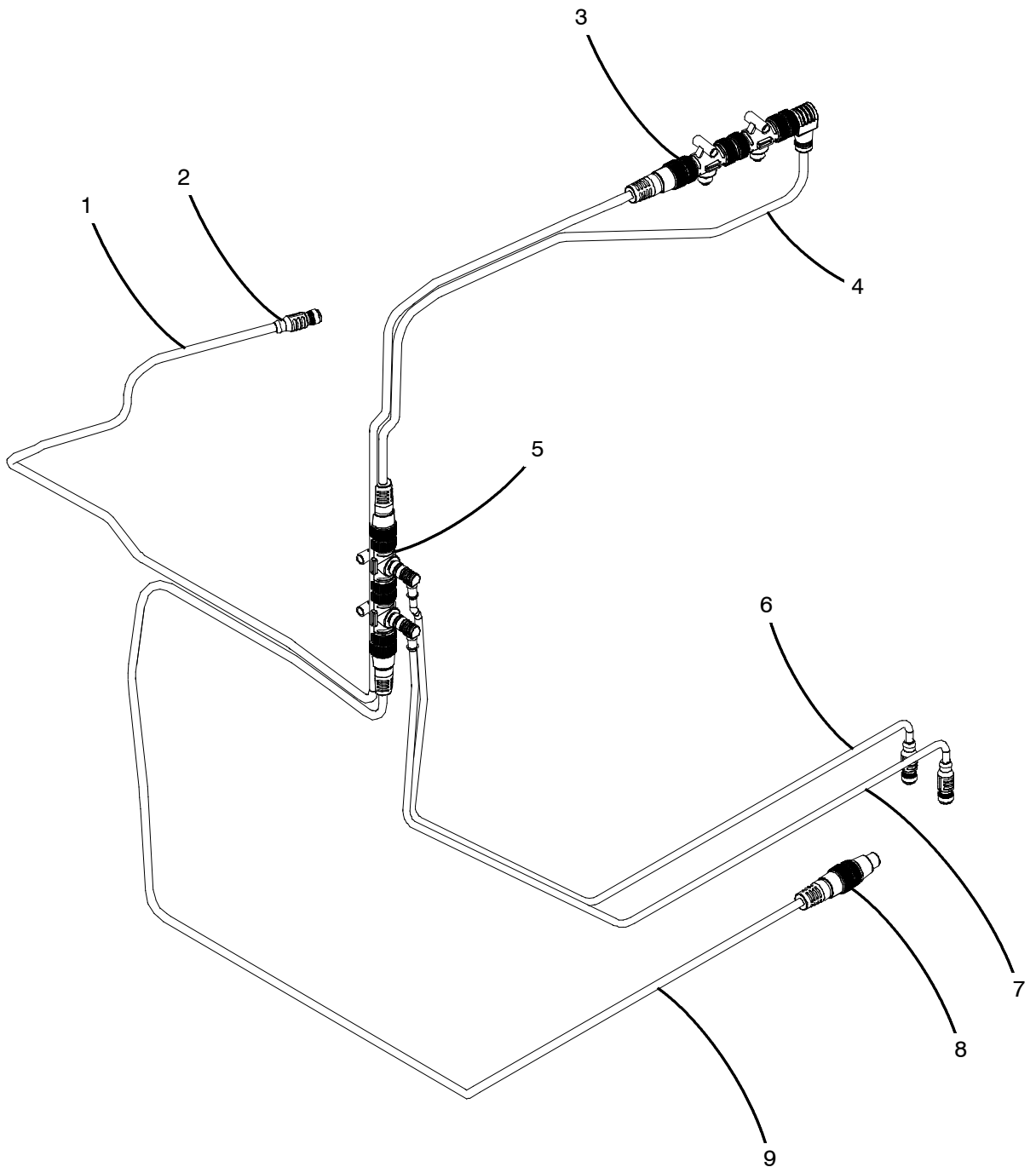
Parts List

0916

Upper Wiring

Notes:

CAN- Bus Cable Assy

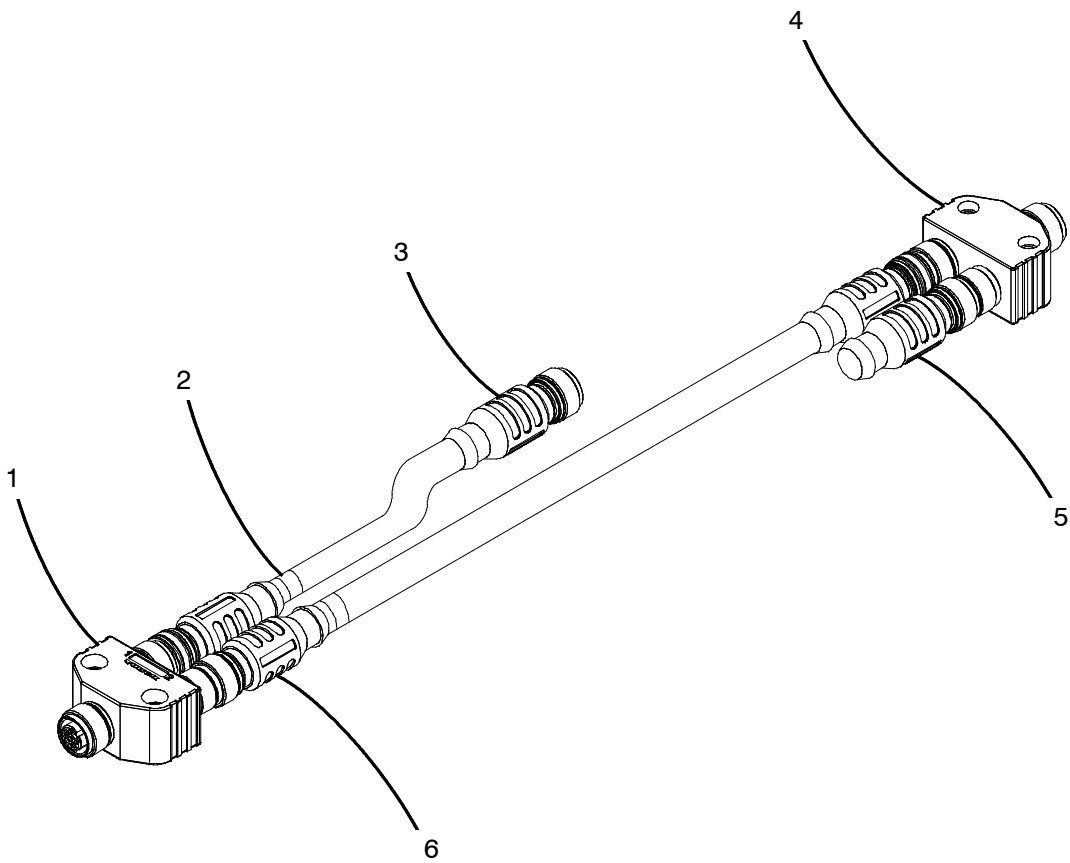


Parts List

0714

CAN- Bus Cable Assy				
REF	PART NO.	QTY	DESCRIPTION	REMARKS
	N4R0256	1	CAN- Bus Cable Assy	
1	N4R0259	1	Cable, PROFIBUS	
2	804002001	1	Tape	
3	S2R0076	2	Tee, M12 Minifast Bus	
4	N4R0210	1	Cable, DeviceNet	
5	S2R0076	2	Tee, M12 Minifast Bus	
6	S2R0093	1	Cable, DeviceNet	
7	S2R0093	1	Cable, DeviceNet	
8	155557002	1	Connector, Terminating Resistor	
9	N4R0211	1	Cable, DeviceNet	

CAN- Bus Cable Assy

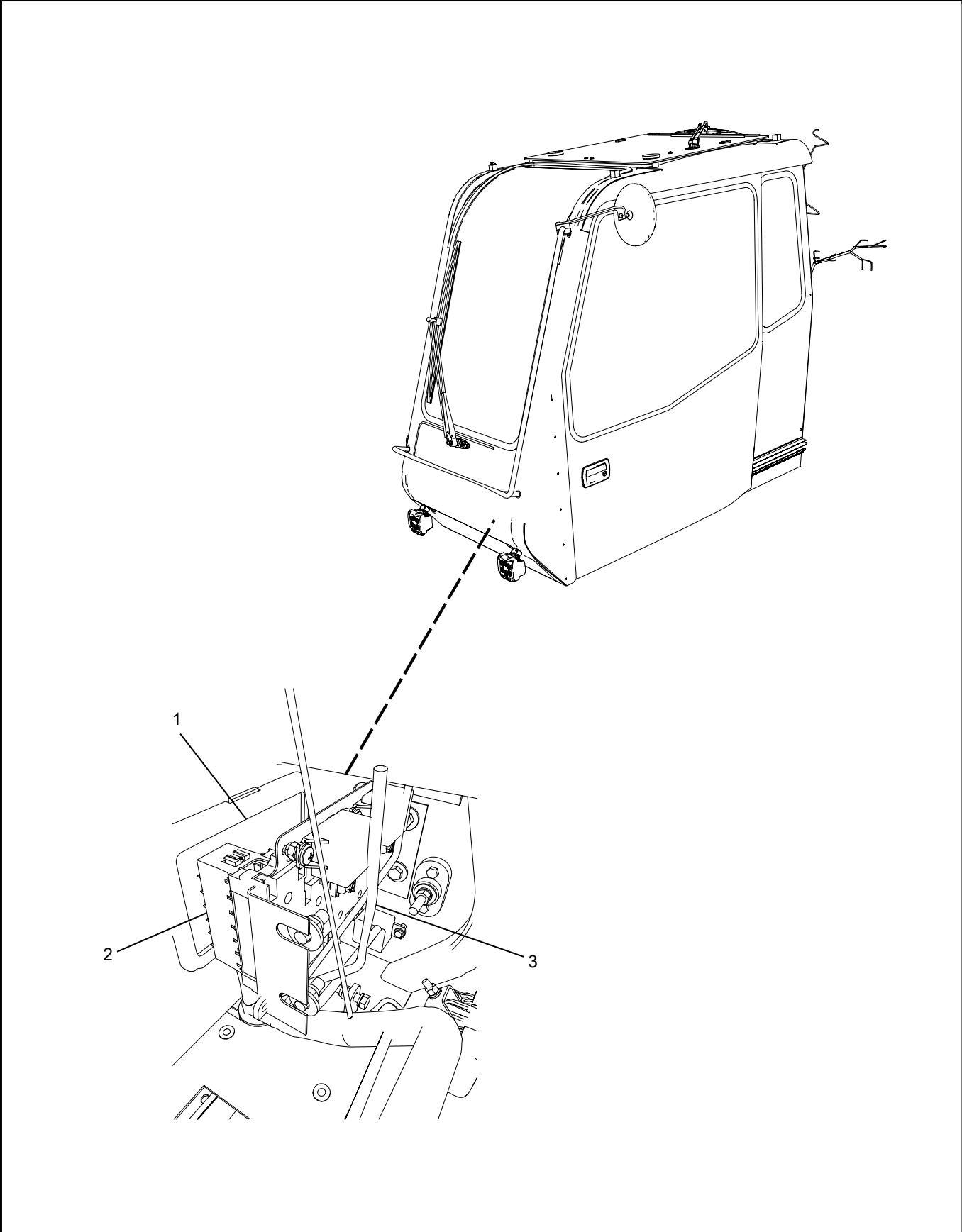


Parts List

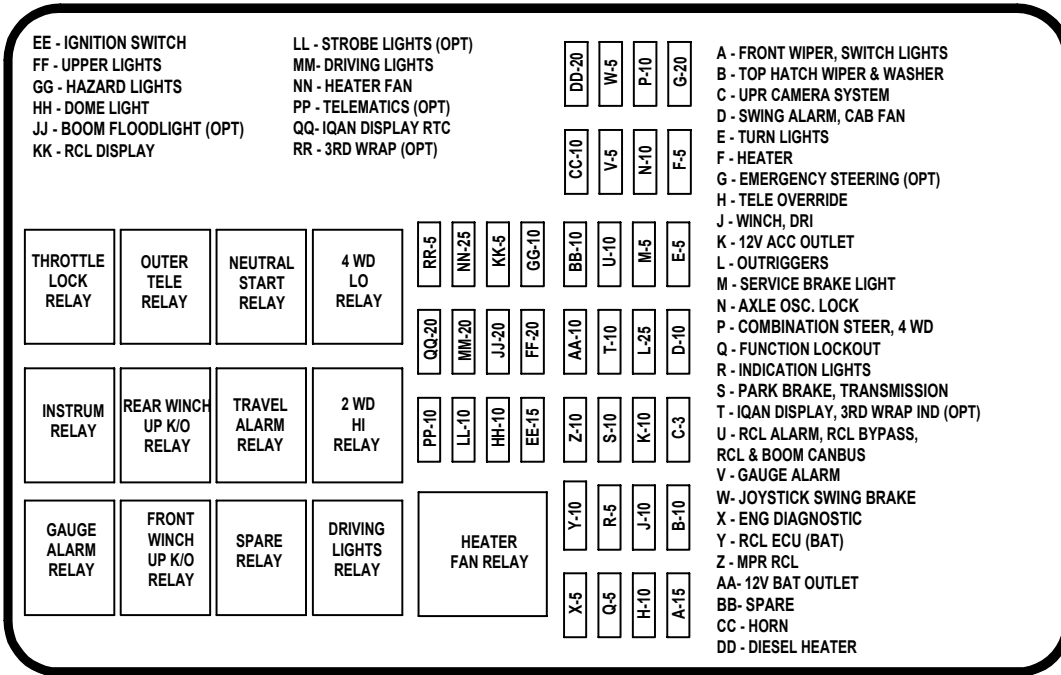
0714

CAN- Bus Cable Assy				
REF	PART NO.	QTY	DESCRIPTION	REMARKS
	N4R0257	1	CAN- Bus Cable Assy	
1	S2R0149	1	Splitter, Cable	
2	804002002	1	Tape	
3	S2R0147	1	Cable, PROFIBUS	
4	S2R0149	1	Splitter, Cable	
5	155556002	1	Connector, Terminating Resistor	
6	S2R0275	1	Cable, PROFIBUS	

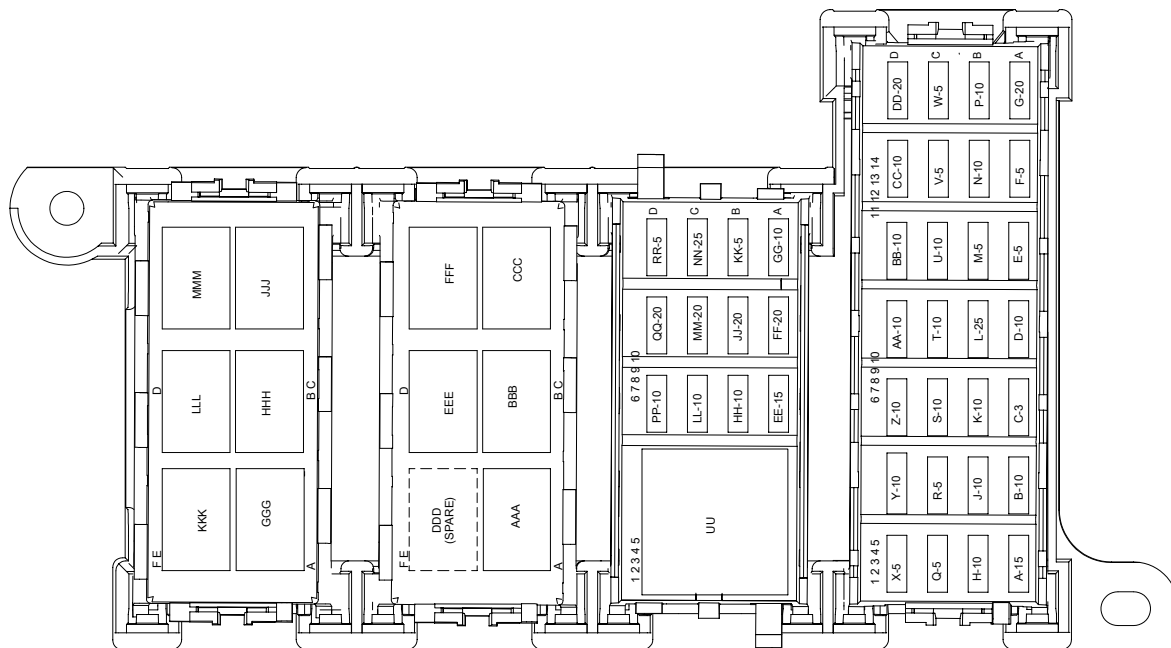
Upper Cab Wire Harness



Upper Cab Wire Harness



Fuse ID Label



Fuse Panel

Upper Cab Wire Harness

CHART #1		
LBCE PART NUMBER	FUSE RATING	FUSE LOCATION
S2R0123	3	C
F8R0039	5	E, F, M, Q, R, V, W, X, KK, RR
F8R0037	10	B, D, H, J, K, N, P, S, T, U, Y, Z, AA, BB, CC, GG, HH, LL, PP
E9R0128	15	A, EE
E9R0129	20	G, DD, FF, JJ, MM, QQ
E9R0130	25	L, NN

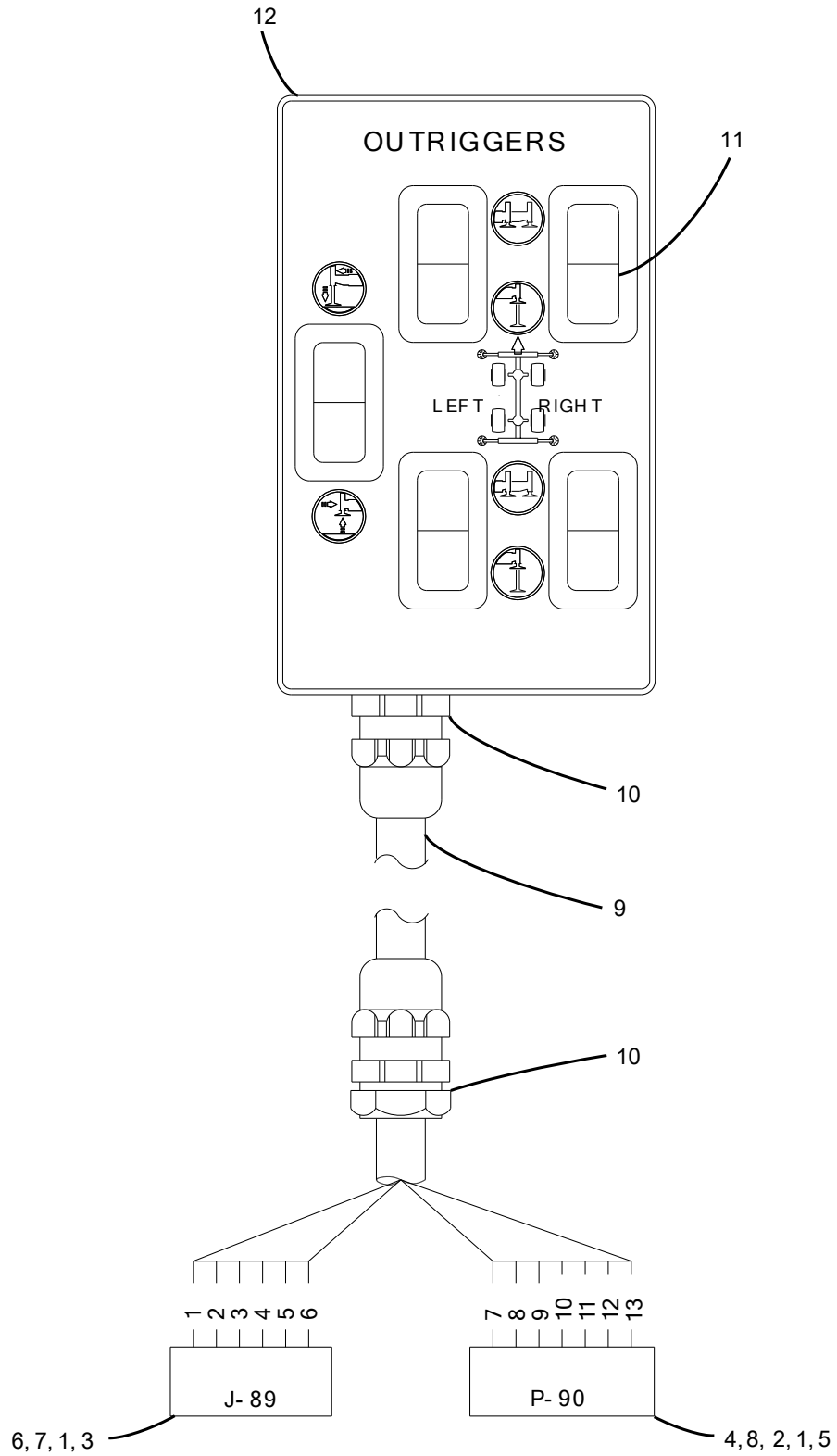
CHART #2						
RELAY MODULE LOCATION	LBCE PART NUMBER	TERMINAL AND WIRE LOC				
		85	86	87	87A	30
UU	E9R0127	B3	C1	B1	B2	C3
		602C	602D	602G	----	602F
AAA	N3R0066	A1	A2	A5	A4	A3
		401C	401B	401E	----	401D
BBB	N3R0066	B1	B2	B5	B4	B3
		524F	524A	231C	----	524C
CCC	N3R0066	C1	C2	C5	C4	C3
		201D	525B	----	231C	231D
DDD	-----	F1	F2	F5	F4	F3
		----	----	----	----	----
EEE	N3R0066	E1	E2	E5	E4	E3
		430F	430E	----	430B	430A
FFF	N3R0066	D1	D2	D5	D4	D3
		201D	201E	202C	---	201B
GGG	N3R0066	A1	A2	A5	A4	A3
		724H	349F	724E	----	724D
HHH	N3R0066	B1	B2	B5	B4	B3
		201G	349M	725E	----	725D
JJJ	N3R0066	C1	C2	C5	C4	C3
		535J	535L	535D	----	535K
KKK	N3R0066	F1	F2	F5	F4	F3
		361J	361C	361D	----	361B
LLL	N3R0066	E1	E2	E5	E4	E3
		113B	113A	113C	----	104C
MMM	N3R0066	D1	D2	D5	D4	D3
		113B	201F	CEC 134C	----	CEC 134D

Parts List

0717

Upper Cab Wire Harness				
REF	PART NO.	QTY	DESCRIPTION	REMARKS
1	REF 1		Upper Fuse ID Label	
2	REF 2		Fuse Label	
3	J6R0175	1	Upper Wire Harness	
	S2R0101	5	•Cable, PROFIBUS	
	S2R0118	2	•Cable, DeviceNet	
	S2R0289	2	•Cable, USB	
	155485001	5	•Pack, Diode - 4 Pin, 3 Diode	
	S2R0123	1	•Fuse, 3 Amp Mini	
	F8R0039	10	•Fuse, 5 Amp	
	F8R0037	19	•Fuse, 10 Amp Mini	
	E9R0128	2	•Fuse, 15 Amp	
	E9R0129	6	•Fuse, 20 Amp	
	E9R0130	2	•Fuse, 25 Amp	
	E9R0127	1	•Relay, 40 Amp	
	N3R0066	11	•Relay, Micro ISO	
	S4R0041	1	•Cable, PROFIBUS	
	155538001	1	•Pack, Diode - 4 Pin, 2 Diode	

Outrigger Remote Control Assy



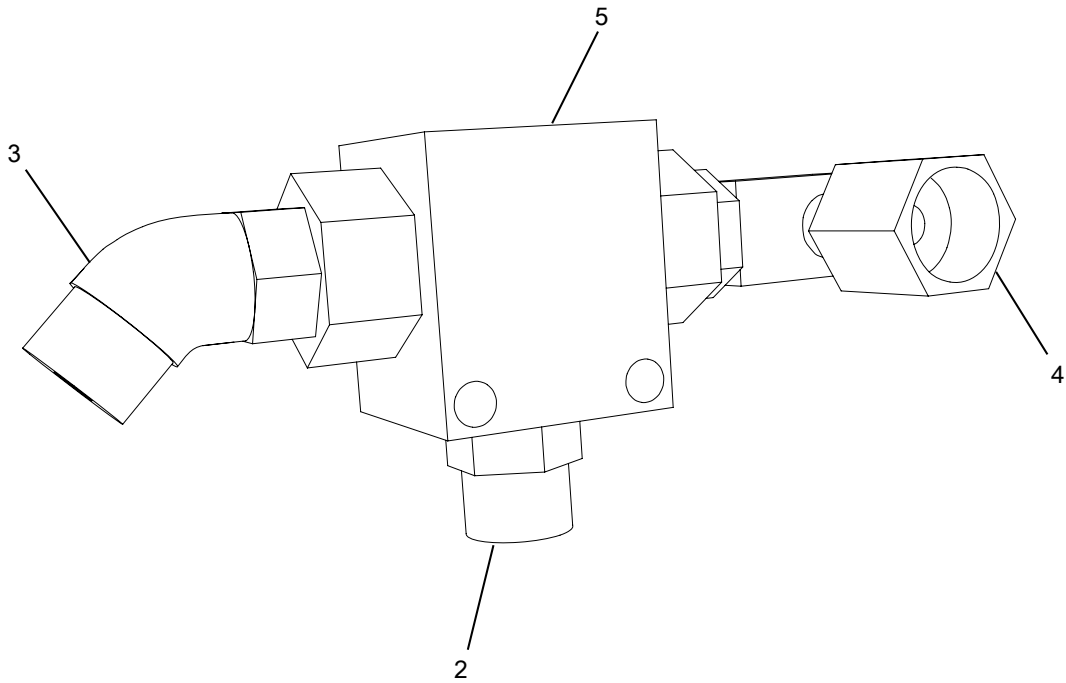
Parts List

0517

Outrigger Remote Control Assy				
REF	PART NO.	QTY	DESCRIPTION	REMARKS
	F7R0065	1	Outrigger Remote Control Assy	
1	155064005	13	•Seal, Cable	
2	155065003	1	•Plug	
3	155100001	6	•Terminal	
4	155103001	1	•Connector, 8-Way	
5	155106001	7	•Terminal	
6	155113001	1	•Connector, 6-Way	
7	155136001	1	•Lock, Secondary	
8	155146001	1	•Lock, Secondary	
9	F7R0064	1	•Wire Harness, Outrigger Box	
10	F7R0066	2	•Relief, Strain	
11	F7R0072	5	•Switch	
12	F7R0080	1	•Box, Outrigger Remote Control	

Shuttle Valve S/A

1 - Includes items 2-5

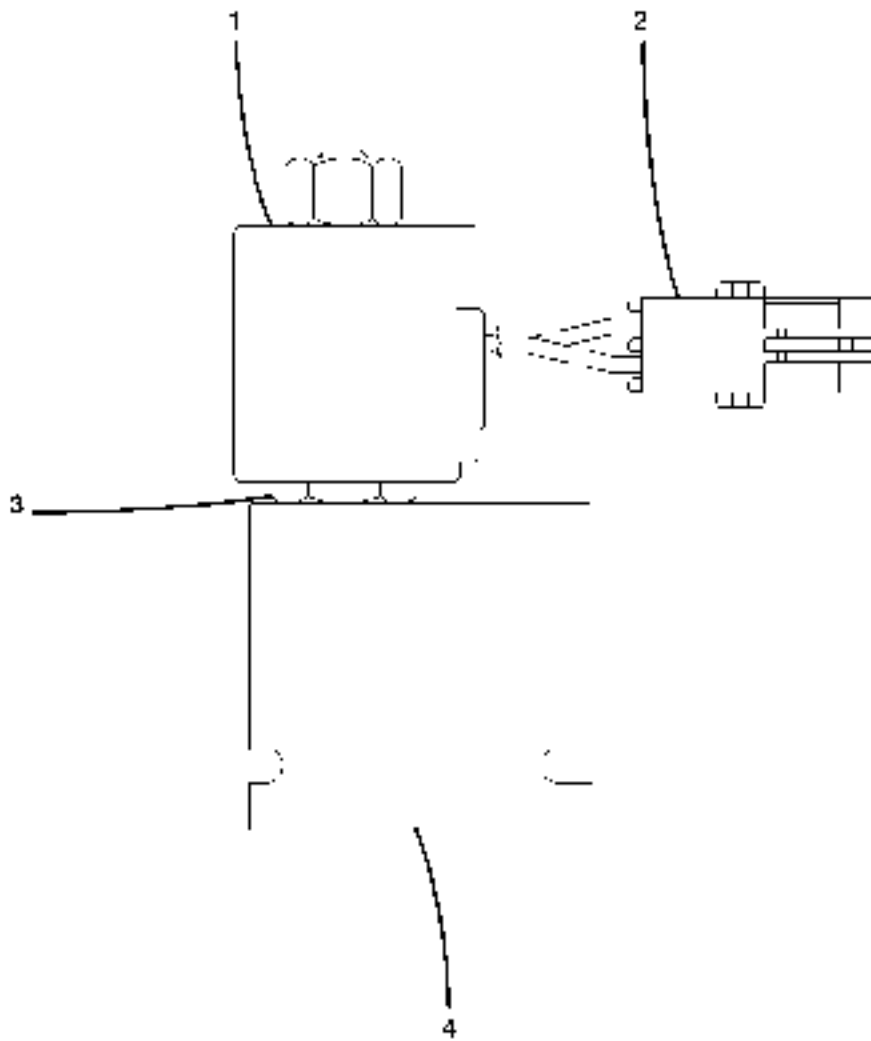


Parts List

0115

Shuttle Valve S/A				
REF	PART NO.	QTY	DESCRIPTION	REMARKS
1	F7J0162	1	Shuttle Valve S/A	NSS
2	1X 7368	1	•Connector	
3	1X 7382	1	•Elbow	
4	1X 7559	1	•Elbow	
5	65J0057	1	•Valve, Shuttle	

Solenoid Valve Assy



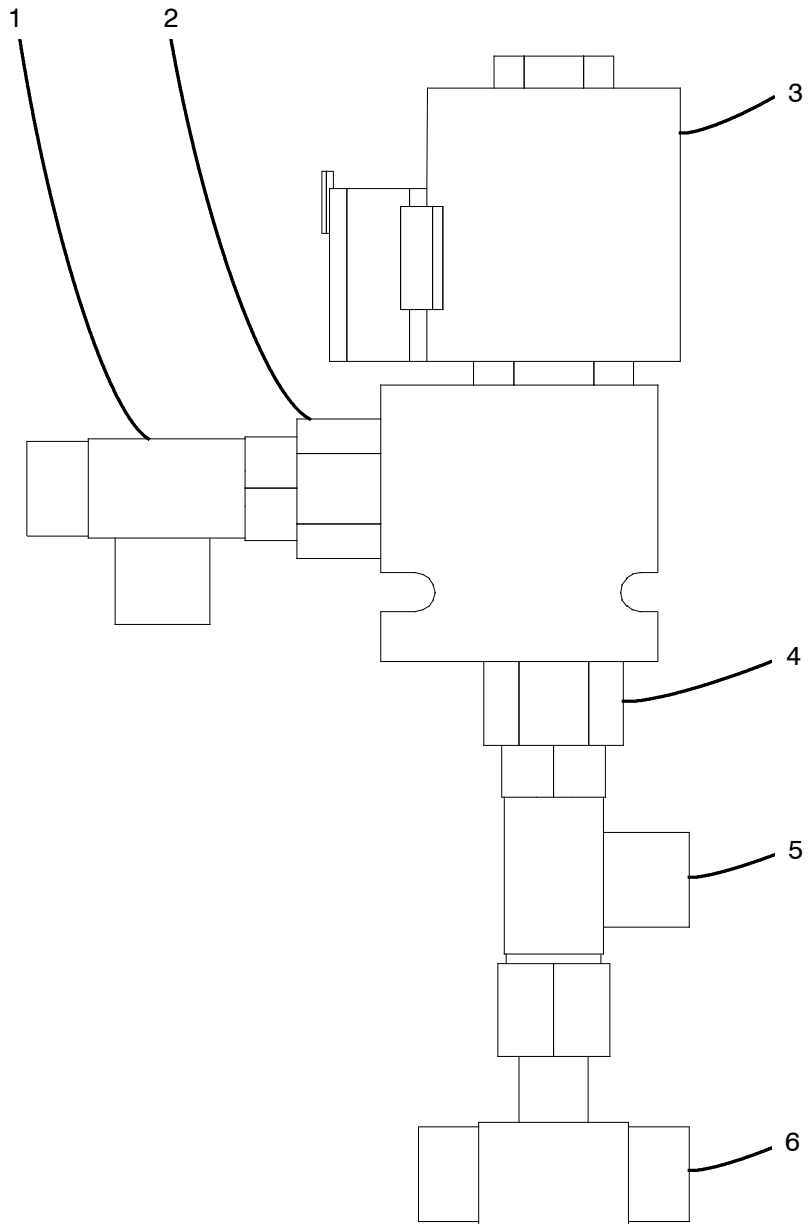
Parts List

0202

Solenoid Valve Assy

REF	PART NO.	QTY	DESCRIPTION	REMARKS
	E1J0357	1	Solenoid Valve Assy	
1	9J 12813	1	Coil	
2	155063002	2	Terminal	
	155064001	2	Seal	
	155058001	1	Connector	
3	3J 13323	1	Cartridge	
	3J 11685	1	Kit. Seal	
4	3J 13324	1	Body	

Function Disable Valve S/A

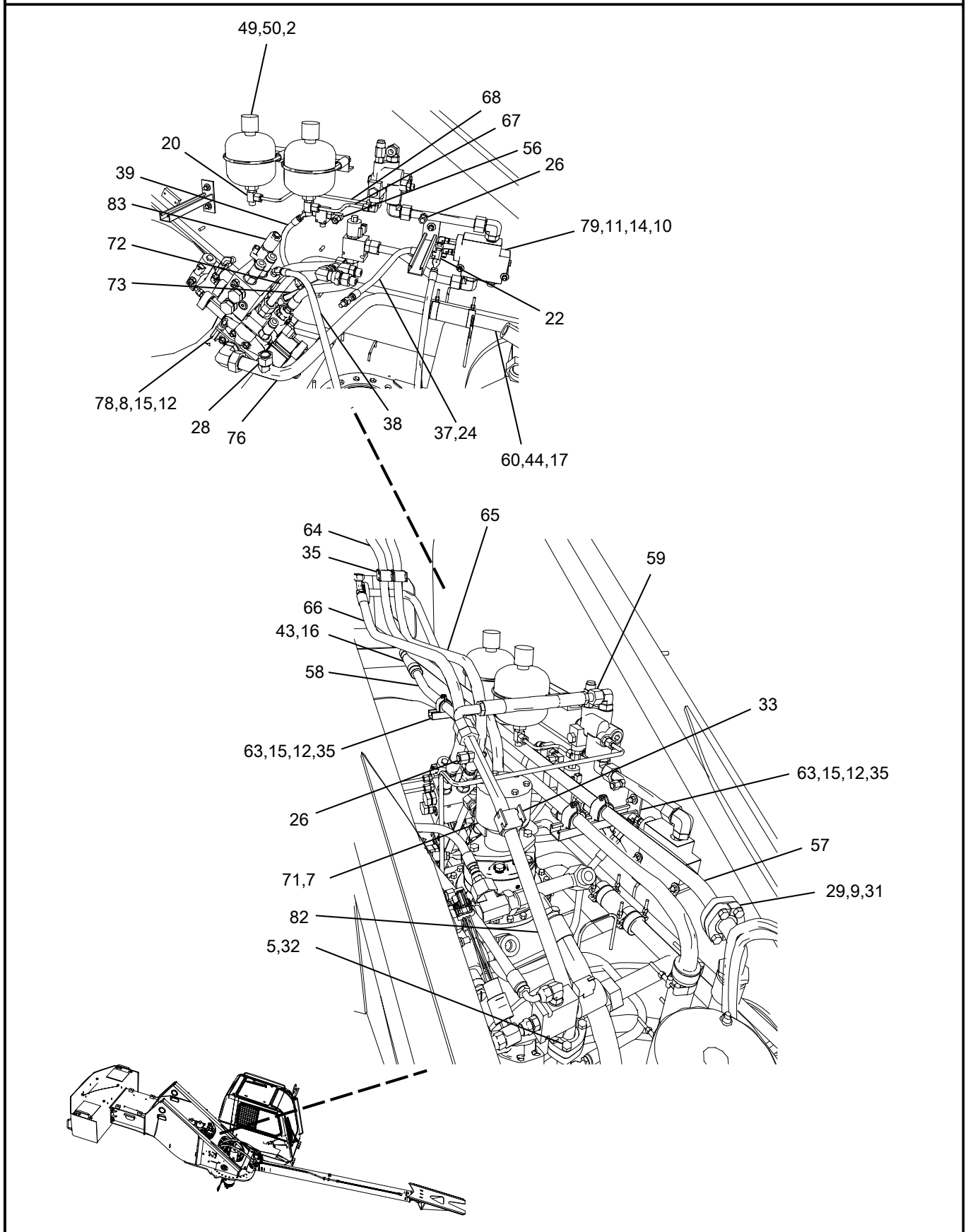


Parts List

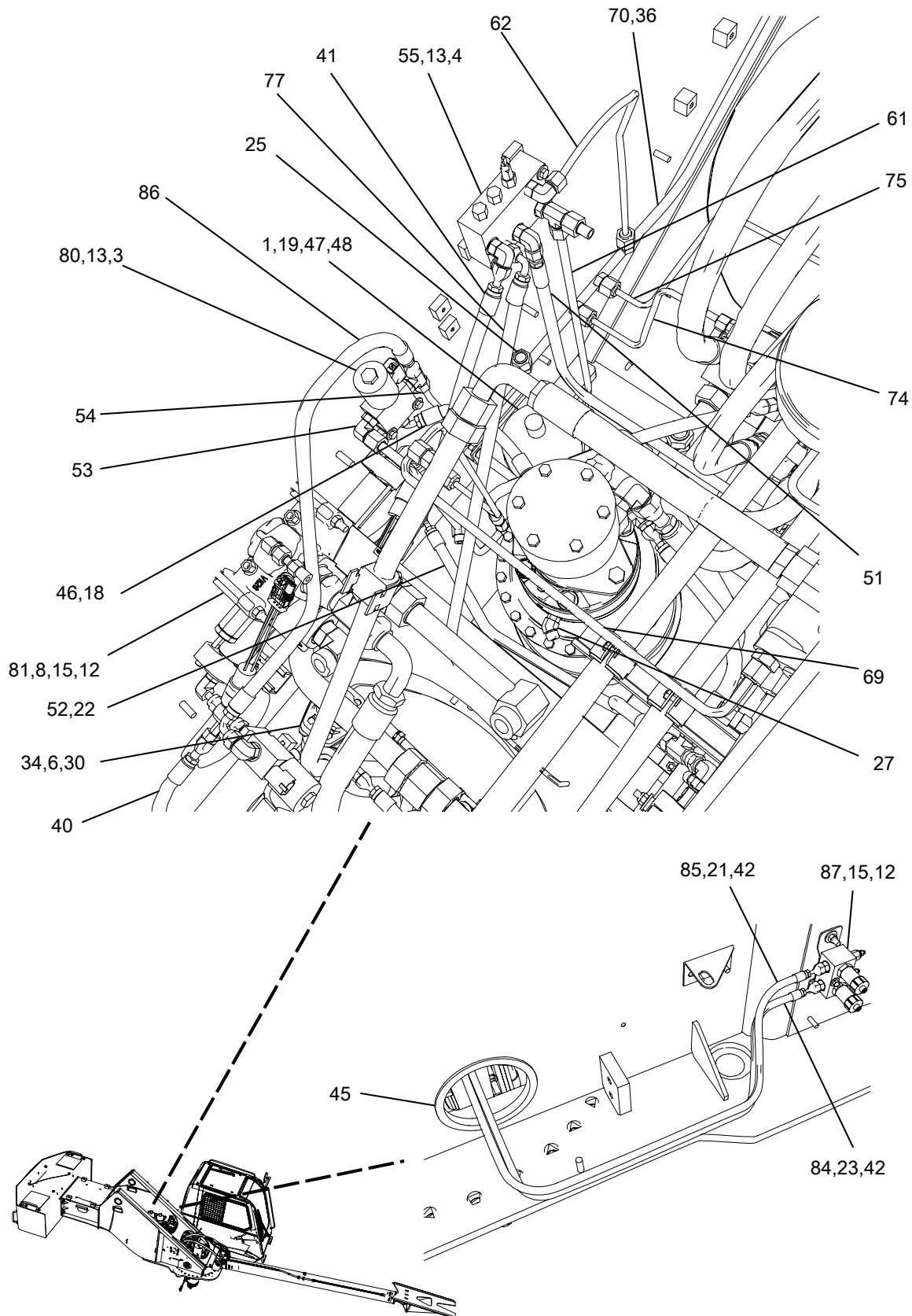
0714

Function Disable Valve S/A				
REF	PART NO.	QTY	DESCRIPTION	REMARKS
	L8N0134	1	Function Disable Valve S/A	NSS
1	1X 7398	1	Tee	
2	1X 5596	1	Reducer	
3	J7J0900	1	Valve, 2 Way Solenoid	
	3J 17141	1	Cartridge	
	3J 13193	1	Kit, Seal	
4	1X 5596	1	Reducer	
5	1X 7398	1	Tee	
6	1X 7410	1	Tee	

Upper Main Hydraulics



Upper Main Hydraulics



Parts List

0215

Upper Main Hydraulics				
REF	PART NO.	QTY	DESCRIPTION	REMARKS
1	112015006	1	Clamp	
2	112015007	2	Clamp	
3	126009005	2	Capscrew	
4	126009007	2	Capscrew	
5	126009014	4	Capscrew	
6	126009028	4	Capscrew	
7	126009040	2	Capscrew	
8	126009089	6	Capscrew	
9	126009102	4	Capscrew	
10	126009127	2	Capscrew	
11	127004002	2	Locknut	
12	127004003	12	Locknut	
13	128003001	4	Washer	
14	128003002	4	Washer	
15	128003004	12	Washer	
16	1X 5582	4	Clamp	
17	1X 5815	4	Clamp	
18	1X 7367	1	Connector	
19	1X 7395	1	Tee	
20	1X 7399	2	Tee	
21	1X 7404	1	Elbow	
22	1X 7414	2	Tee	
23	1X 7440	1	Elbow	
24	1X 7446	1	Connector	
25	1X 7459	1	Cap	
26	1X 7513	2	Cap	
27	1X 7536	1	Elbow	
28	1X 8092	1	Cap	
29	20J0084	2	Flange, Split	
30	20J0770	1	O-ring	
31	20J0771	1	O-ring	
32	20J0990	1	O-ring	
33	20J2909	1	Clamp	
34	20J3148	2	Flange, Split	
35	25J0640	6	Clamp	

Parts List

0215

Upper Main Hydraulics				
REF	PART NO.	QTY	DESCRIPTION	REMARKS
36	29A0124	1	Clamp	
37	65J0445	1	Hose Assy	
38	65J0446	1	Hose Assy	
39	65J0475	1	Hose Assy	
40	65J0565	1	Hose Assy	
41	65J1115	1	Hose Assy	
42	71J0005	3	Tie, Cable	
43	822026001	1	Hose - 0.5'	
44	822026002	1	Hose - 0.5'	
45	824025009	1	Trim - 2.0'	
46	D3J0310	1	Hose Assy	
47	D6J1130	1	Accumulator	
48	J9J0361	1	Accumulator - CRN Certified	
49	E8J0229	2	Accumulator	
50	J9J0360	2	Accumulator - CRN Certified	
51	E8J0246	1	Hose Assy	
52	E8J0362	1	Hose Assy	
53	F7J0146	1	Tube Assy	
54	F7J0150	1	Tube Assy	
55	F7J0155	1	Pilot Oil Supply Valve S/A - See 07-008-615.00	NSS
56	F7J0162	1	Shuttle Valve S/A - See 07-002-084.00	NSS
57	F7J0170	1	Tube Assy	
58	F7J0171	1	Tube Assy	
59	F7J0374	1	Hose Assy	
60	F7J0378	1	Tube Assy	
61	F7J0401	1	Tube Assy	
62	F7J0402	1	Tube Assy	
63	F7J0463	2	Bracket	
64	F7J0484	1	Hose Assy	
65	F7J0514	1	Hose Assy	
66	F7J0515	1	Hose Assy	
67	J6J0092	1	Tube Assy	
68	J6J0098	1	Tube Assy	
69	J6J0153	1	Tube Assy	
70	J6J0158	1	Tube Assy	

Parts List

0215

Upper Main Hydraulics				
REF	PART NO.	QTY	DESCRIPTION	REMARKS
71	J6J0177	1	Swing Motor S/A - See 07-006-625.00	NSS
72	J6J0178	1	Tube Assy	
73	J6J0179	1	Tube Assy	
74	J6J0181	1	Tube Assy	
75	J6J0182	1	Tube Assy	
76	J6J0184	1	Tube Assy	
77	J6J0233	1	Hose Assy	
78	J6J0289	1	Swing/Telescope Valve S/A - See 07-008-616.00	NSS
79	J6J0290	1	Accumulator Charge Valve S/A - See 07-008-617.00	NSS
80	J6J0291	1	Swing Park Brake Valve S/A - See 07-008-618.00	NSS
81	J6J0292	1	Boom Hoist Valve S/A - See 07-008-619.00	NSS
82	J6J0295	1	Tube Assy	
83	J6J0297	1	Flow Divider Valve S/A - See 07-008-620.00	NSS
84	J6J0305	1	Hose Assy	
85	J6J0306	1	Hose Assy	
86	J7J0498	1	Hose Assy	
87	J9J0313	1	Pressure Transducer S/A - See 07-004-681.00	NSS

Parts List

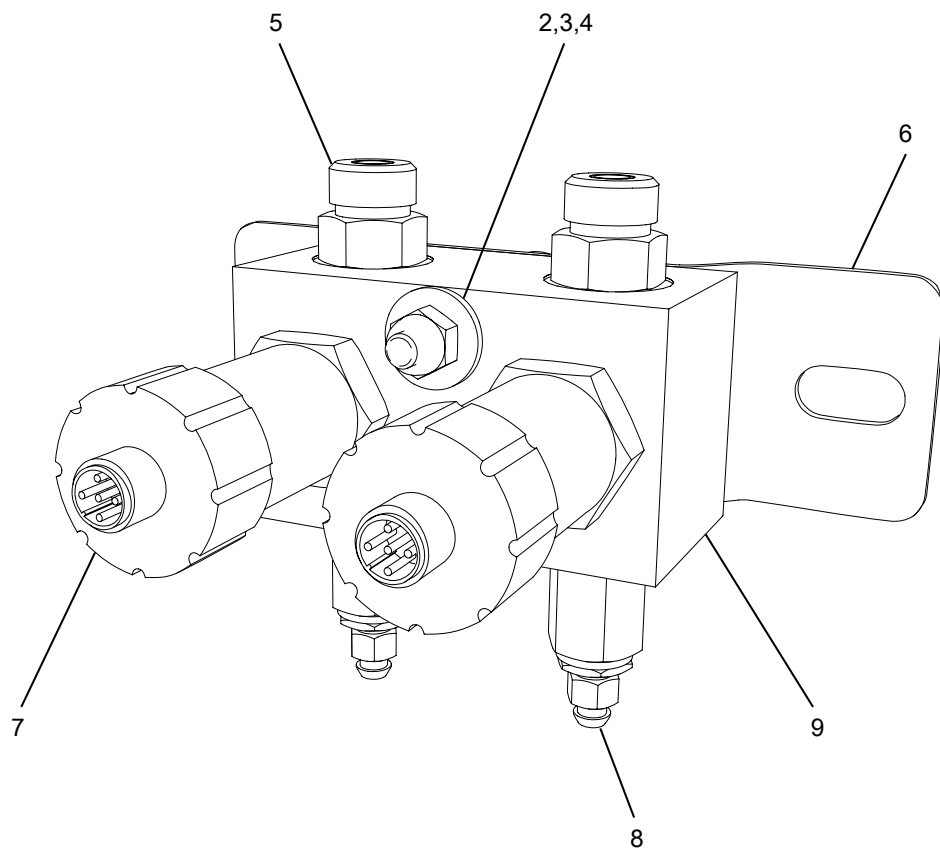
0215

Upper Main Hydraulics

Notes:

Pressure Trasducer S/A

1 - Item includes 2-9

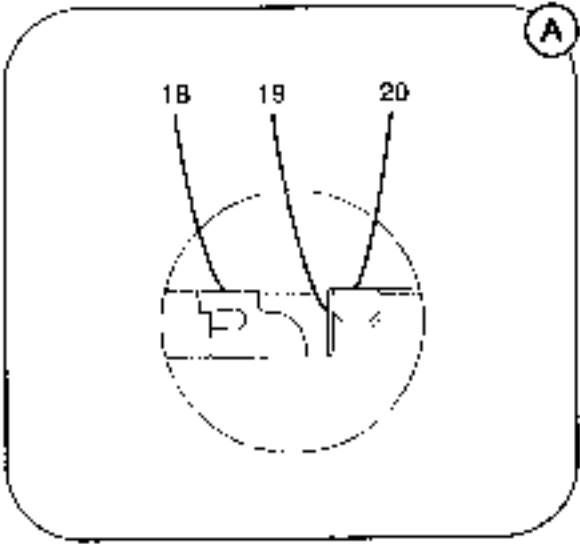
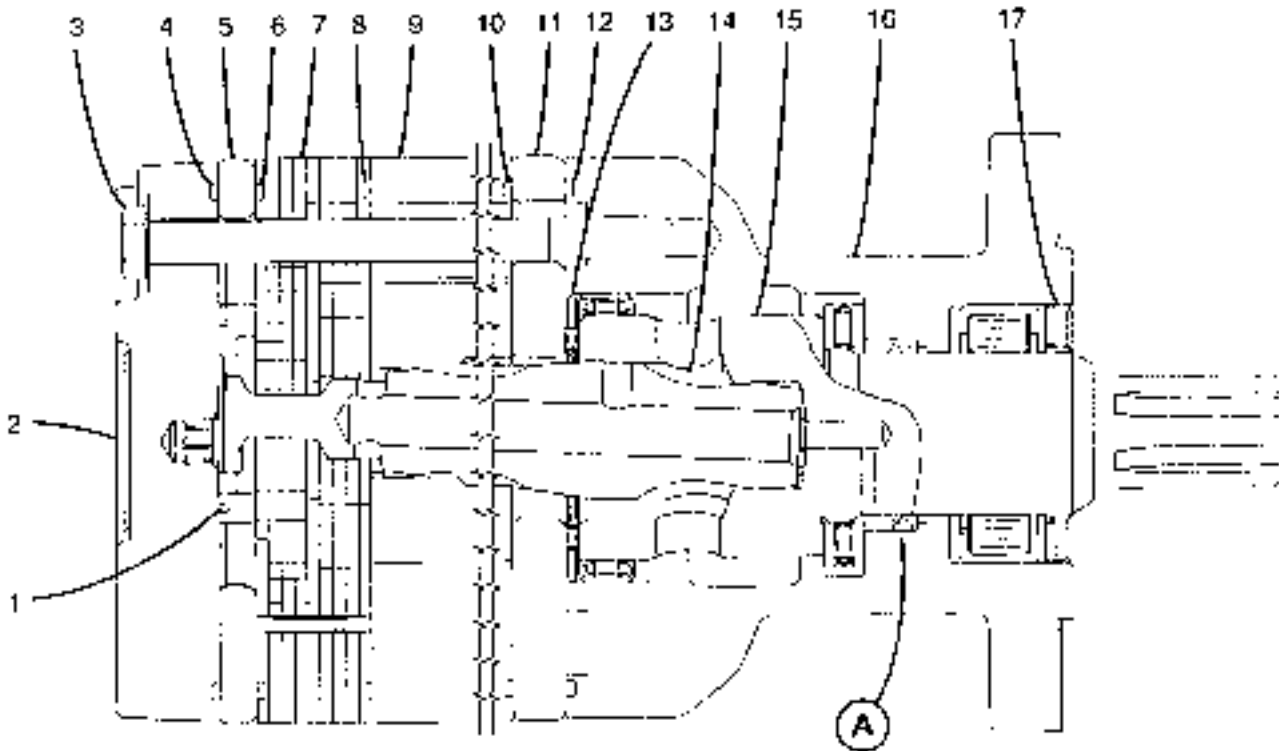


Parts List

0215

Pressure Trasducer S/A				
REF	PART NO.	QTY	DESCRIPTION	REMARKS
1	J9J0313	1	Pressure Transducer S/A	NSS
2	126009009	2	•Capscrew	
3	127004001	2	•Locknut	
4	128003001	4	•Washer	
5	1X 7368	2	•Connector	
6	N4J0297	1	•Bracket	
7	N4R0203	2	•Transducer, Pressure	
8	P9J0100	2	•Adaptor	
9	S2J0614	1	•Manifold, Pressure Transducer	

Swing Motor Assy

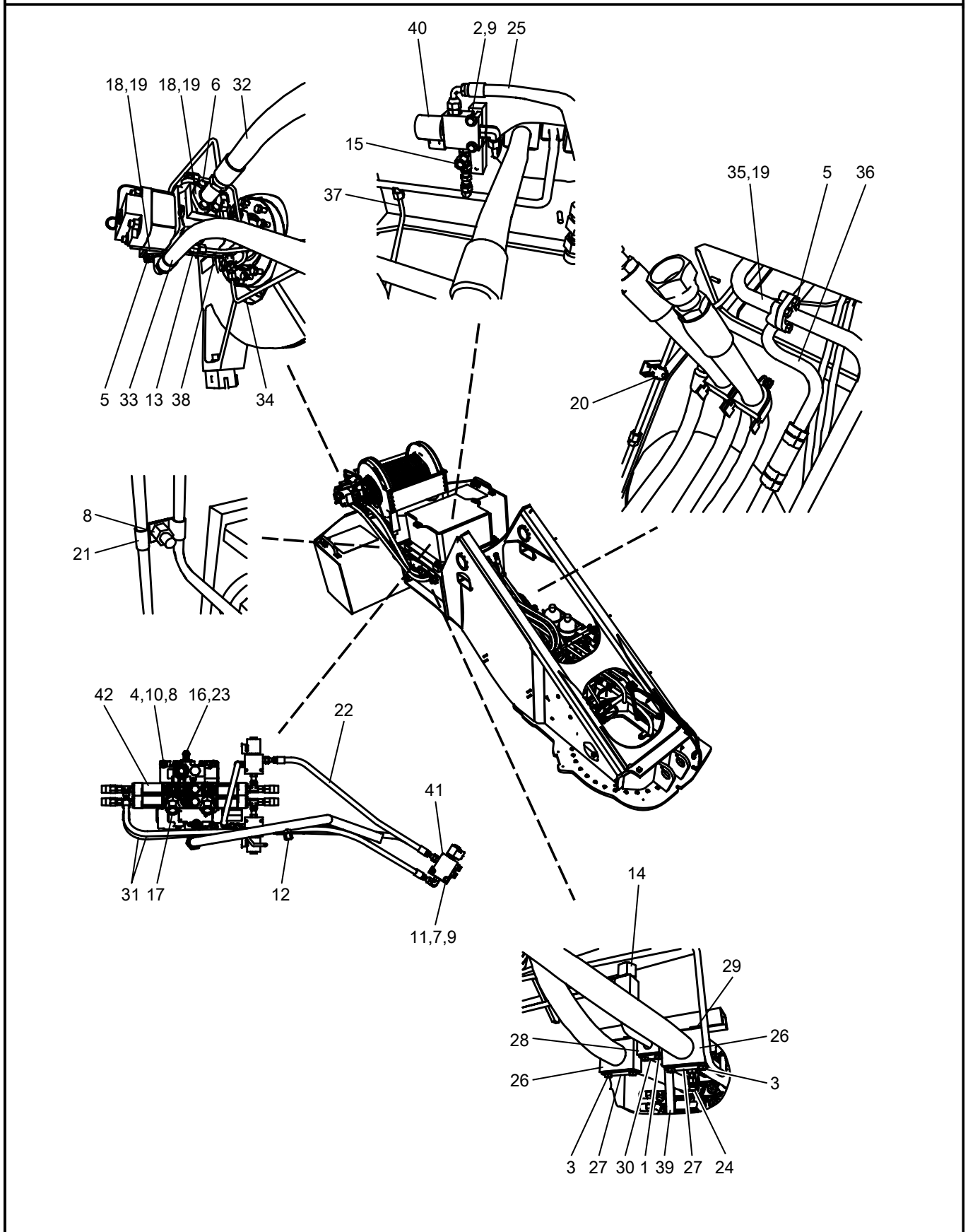


Parts List

0300

Swing Motor Assy				
REF	PART NO.	QTY	DESCRIPTION	REMARKS
	E8J0320	1	Swing Motor Assy	
1	3J 15346	1	Seal, Commutator	
2	3J 15347	1	Cover, End	
3	3J 15348	7	Bolt	
4	3J 15340	1	Ring, Seal	
5	3J 15345	1	Commutator	
6	3J 15340	1	Ring, Seal	
7	3J 15344	1	Manifold	
8	3J 15340	1	Ring, Seal	
9	3J 15343	1	Rotor	
10	3J 15340	1	Ring, Seal	
11	3J 15341	1	Plate, Wear	
12	3J 15340	1	Ring, Seal	
13	3J 15338	1	Bearing, Thrust	
14	3J 15342	1	Link, Drive	
15	3J 15339	1	Shaft, Coupling	
16	3J 15337	1	Housing	
17	3J 15349	1	Seal	
18	3J 15352	1	Seal, Shaft	
19	3J 15351	1	Washer	
20	3J 15350	1	Ring, Back Up	

Rear Winch Plumbing



Parts List

0916

Rear Winch Plumbing				
REF	PART NO.	QTY	DESCRIPTION	REMARKS
1	126009005	2	Capscrew	
2	126009006	2	Capscrew	
3	126009009	4	Capscrew	
4	126009019	3	Capscrew	
5	126009102	8	Capscrew	
6	126009118	4	Capscrew	
7	126009181	2	Capscrew	
8	127004003	4	Locknut	
9	128003001	4	Washer	
10	128003004	6	Washer	
11	17S0455	2	Keeper	
12	1X 7443	1	Cap	
13	1X 7458	1	Elbow	
14	1X 7459	1	Cap	
15	1X 7513	1	Cap	
16	1X 7559	1	Elbow	
17	1X 8092	2	Cap	
18	20J0084	4	Flange, Split	
19	20J0771	3	O-ring	
20	29A0124	1	Clamp	
21	39J0218	2	Clamp	
22	65J0447	2	Hose Assy	
23	D6J0623	1	Valve, Check	
24	D6J0690	1	Disconnect, Quick	
25	D7J0175	1	Hose Assy	
26	E8J0349	2	Clamp, Tube	
27	E8J0350	2	Plate, Cover	
28	E8J0351	1	Clamp, Tube	
29	E8J0364	6	Nut, Rail	
30	E8J0366	1	Cover	
31	65J0487	2	Hose Assy	
32	J6J0082	1	Hose Assy	
33	J6J0083	1	Hose Assy	
34	J6J0094	1	Tube Assy	
35	J6J0186	1	Tube Assy	

Parts List

0916

Rear Winch Plumbing				
REF	PART NO.	QTY	DESCRIPTION	REMARKS
36	J6J0187	1	Tube Assy	
37	J6J0286	1	Tube Assy	
38	J6J0326	1	Tube Assy	
39	J6J0327	1	Tube Assy	
40	J6J0330	1	Winch Valve S/A - See 07-008-610.00	NSS
41	J9J0327	2	Winch Disable Valve S/A - See 07-008-608.00	NSS
42	L8J0493	1	Winch Valve S/A - See 07-008-609.00	NSS

Parts List

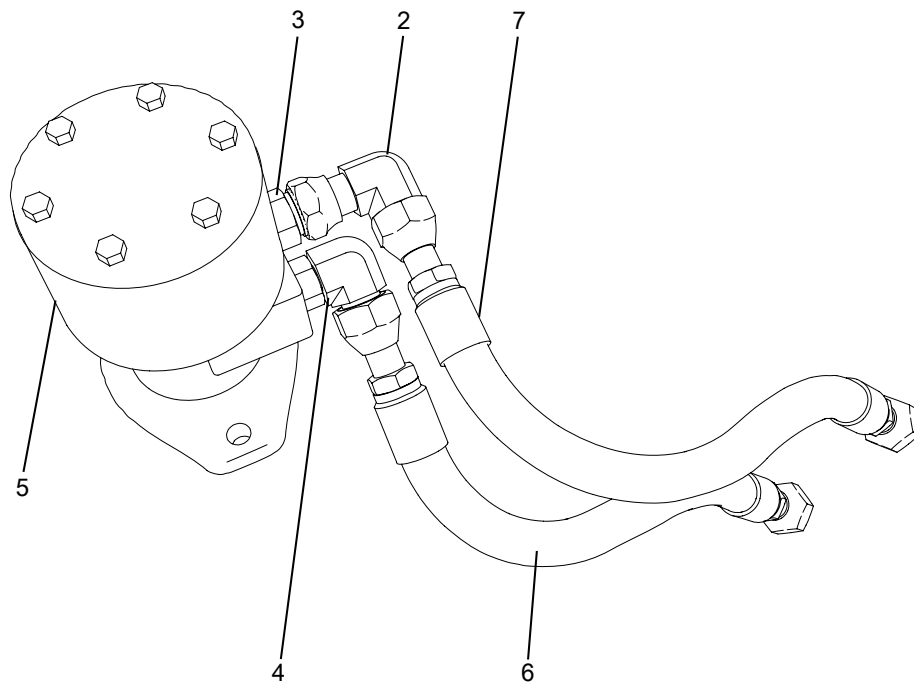
0916

Rear Winch Plumbing

Notes:

Swing Motor S/A

1 - Includes items 2-7

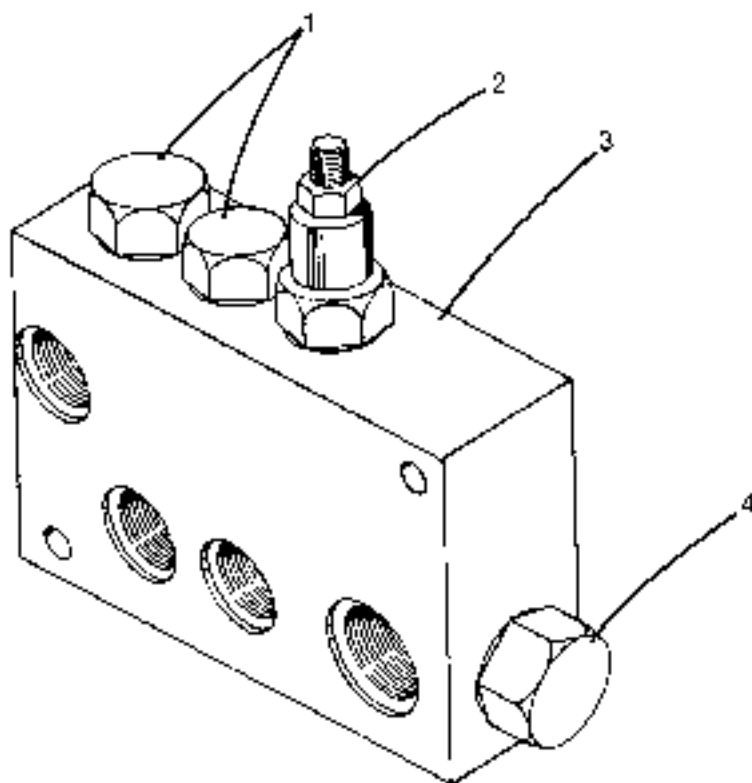


Parts List

0215

Swing Motor S/A				
REF	PART NO.	QTY	DESCRIPTION	REMARKS
1	J6J0177	1	Swing Motor S/A	NSS
2	1X 7407	1	•Elbow	
3	1X 7468	1	•Connector	
4	1X 7539	1	•Elbow	
5	E8J0320	1	•Swing Motor Assy - See 07-006-397.00	
6	F7J0111	1	•Hose Assy	
7	J6J0180	1	•Hose Assy	

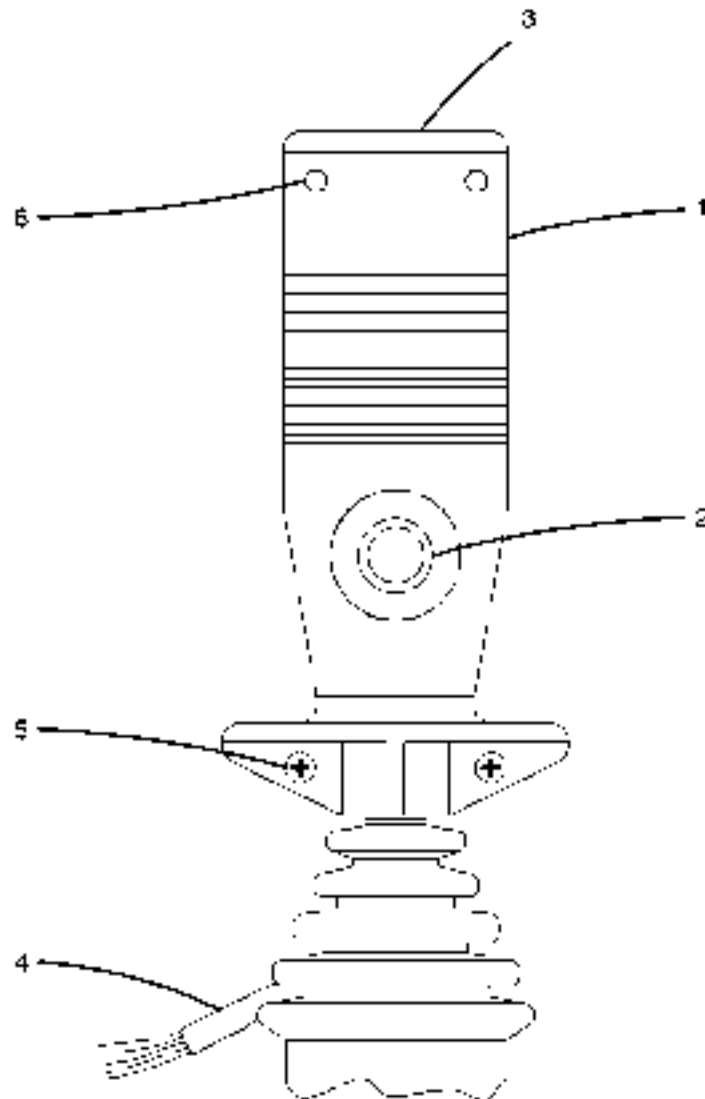
Pilot Oil Supply Valve Assembly



GL2612-A

REF	PART NO.	QTY	DESCRIPTION	REMARKS
	69J0128	1	Pilot Oil Supply Valve Assy	
1	3J 11637	2	Valve, Shuttle	KA
2	3J 11686	1	Valve, Reducing	KA
3	REF	1	Body	NSS
4	3J 11698	1	Valve, Check	KB
	3J 11689	3	Kit Seal - Items Marked KA	F1
	3J 11690	1	K.I. Seal - Items Marked KB	
	F1		Seal Kit Will Service One Valve Per Kit	

LH Joystick Handle Assy

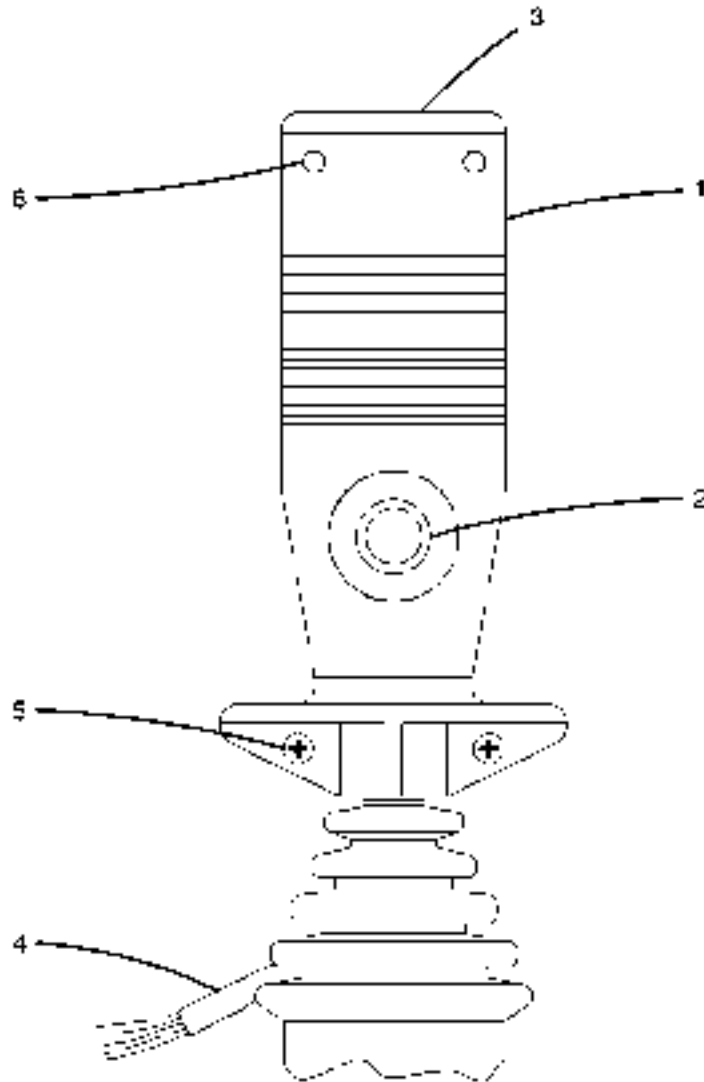


Parts List

0510

LH Joystick Handle Assy				
REF	PART NO.	QTY	DESCRIPTION	REMARKS
1	J7N0013	1	LH Joystick Handle Assy	
	3N 1064	1	Handle Assy	
2	3N 1057	1	Adeptor. Shaft Coupling	
	3N 1067	1	Push Button Assy	
	3N 1068	1	O-ring	
	3N 1055	1	Nut. Mounting	
	3N 1063	1	Boot	
4	3N 1065	1	Wiring Assy	
5	3N 1061	2	Screw	KA
	3N 1062	2	Nut	KA
6	3N 1059	2	Screw	KA
	3N 1060	2	Nut	KA
	3N 1066	1	Plate – Not Shown	
	3N 1058	1	Kit. Hardware – All Items Marked KA	

RH Joystick Handle Assy

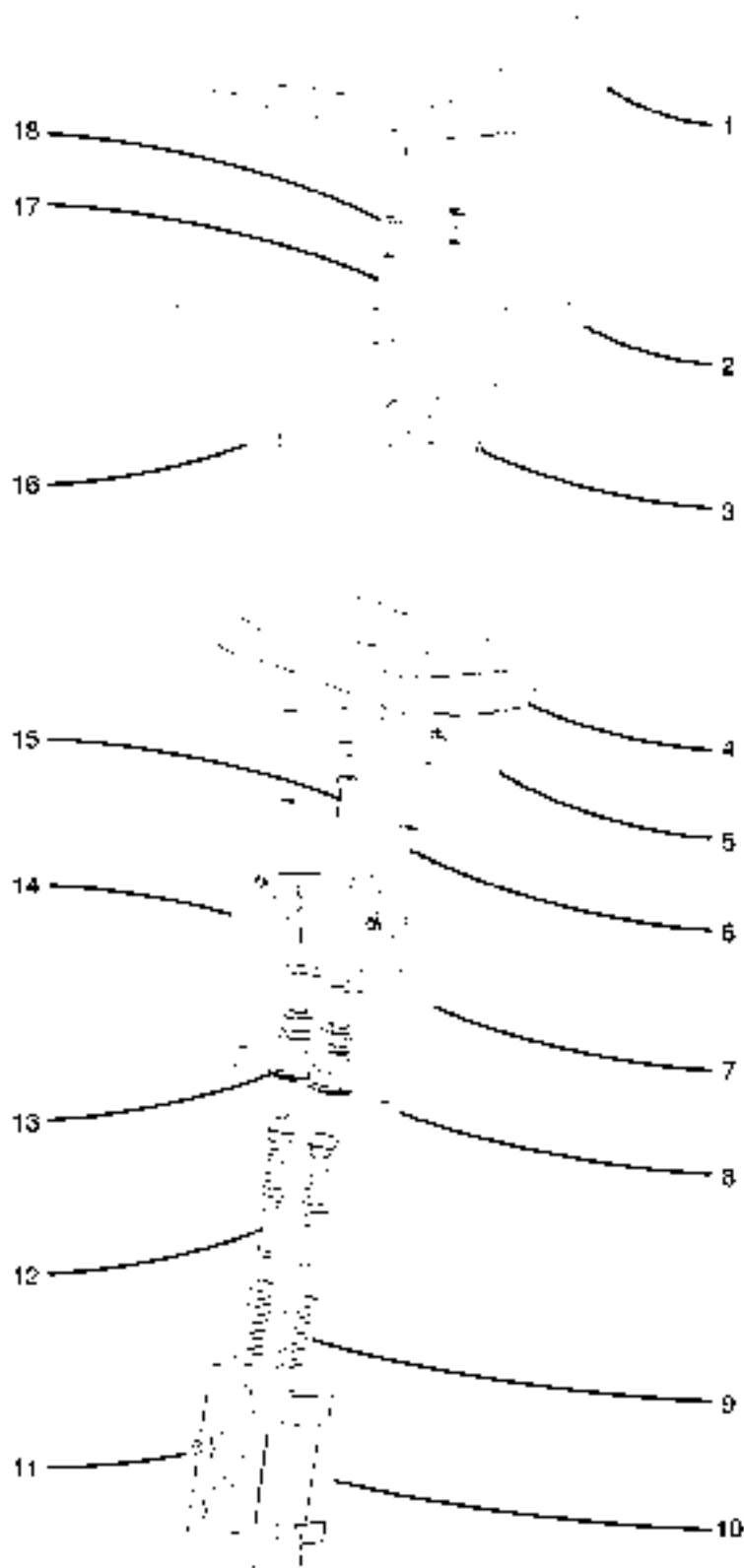


Parts List

0510

RH Joystick Handle Assy				
REF	PART NO.	QTY	DESCRIPTION	REMARKS
1	J7N0014	1	RH Joystick Handle Assy	
	3N 1051	1	Handle Assy	
	3N 1056	2	Gasket	
	3N 1057	1	Adeptor. Shaft Coupling	
2	3N 1052	1	Push Button Assy	
	3N 1053	1	Switch	
	3N 1054	1	O-ring	
	3N 1055	1	Nut. Mounting	
3	3N 1063	1	Boot	
4	3N 1050	1	Wiring Assy	
5	3N 1061	2	Screw	KA
	3N 1062	2	Nut	KA
6	3N 1059	2	Screw	KA
	3N 1060	2	Nut	KA
	3N 1058	1	Kit. Hardware – All Items Marked KA	

Boom Telescope Foot Pedal Assy

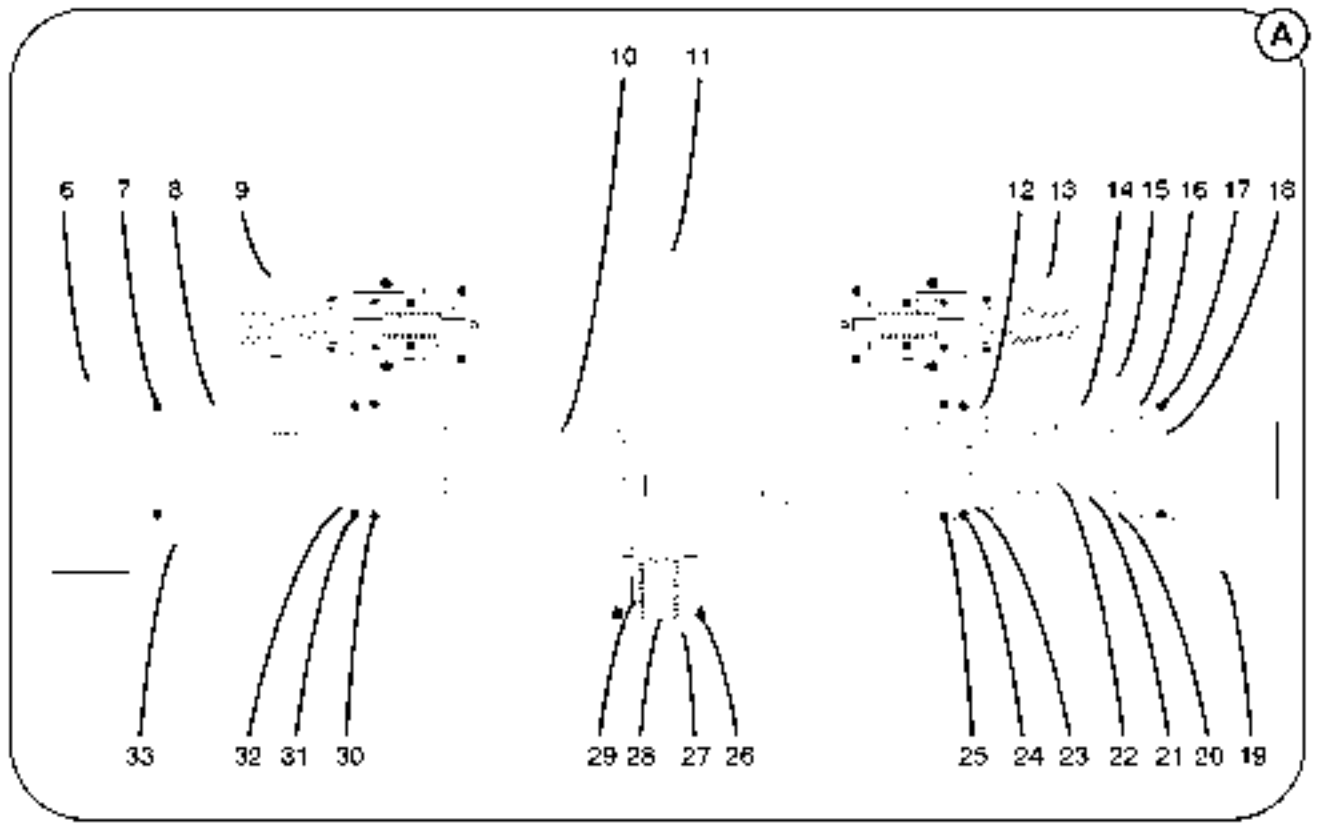
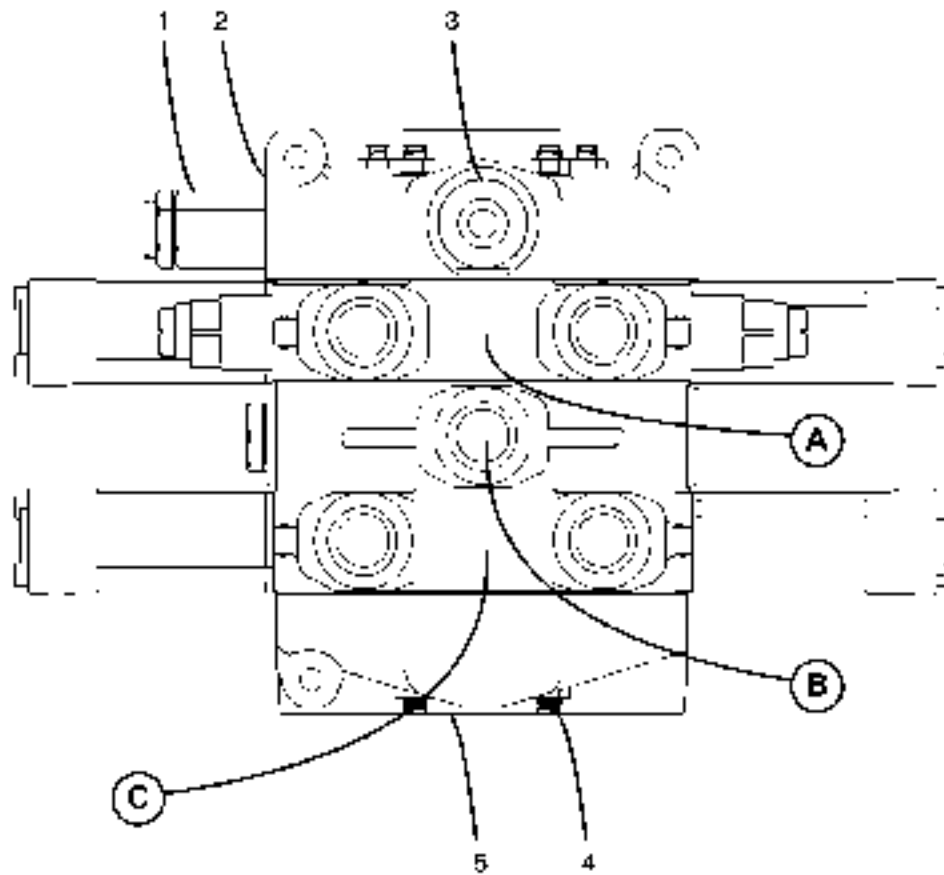


Parts List

0504

Boom Telescope Foot Pedal Assy				
REF	PART NO.	QTY	DESCRIPTION	REMARKS
	J6J0152	1	Boom Telescope Foot Pedal Assy	
1	3J 17278	1	Cover, Rubber	
2	3J 17283	1	Pedal Assy	
3	3J 17276	1	Setscrew	
4	3J 17279	1	Boot	
5	3J 17285	1	Plate	
6	3J 17189	2	Screw	
7	3J 17287	1	Plate	
8	3J 17284	2	Capscrew	
9	3J 17195	2	Spring	
10	3J 17212	1	Housing	
11	3J 17277	2	Plug	
12	REF	2	Spool Assy	NSS
13	3J 17286	2	Plunger Assy	
14	3J 17286	1	Lever Axle Assy	
15	3J 17187	2	Screw	
16	3J 17282	1	Shaft	
17	3J 17281	2	Screw	
18	3J 17280	2	Nut	

Swing/Telescope Control Valve Assy

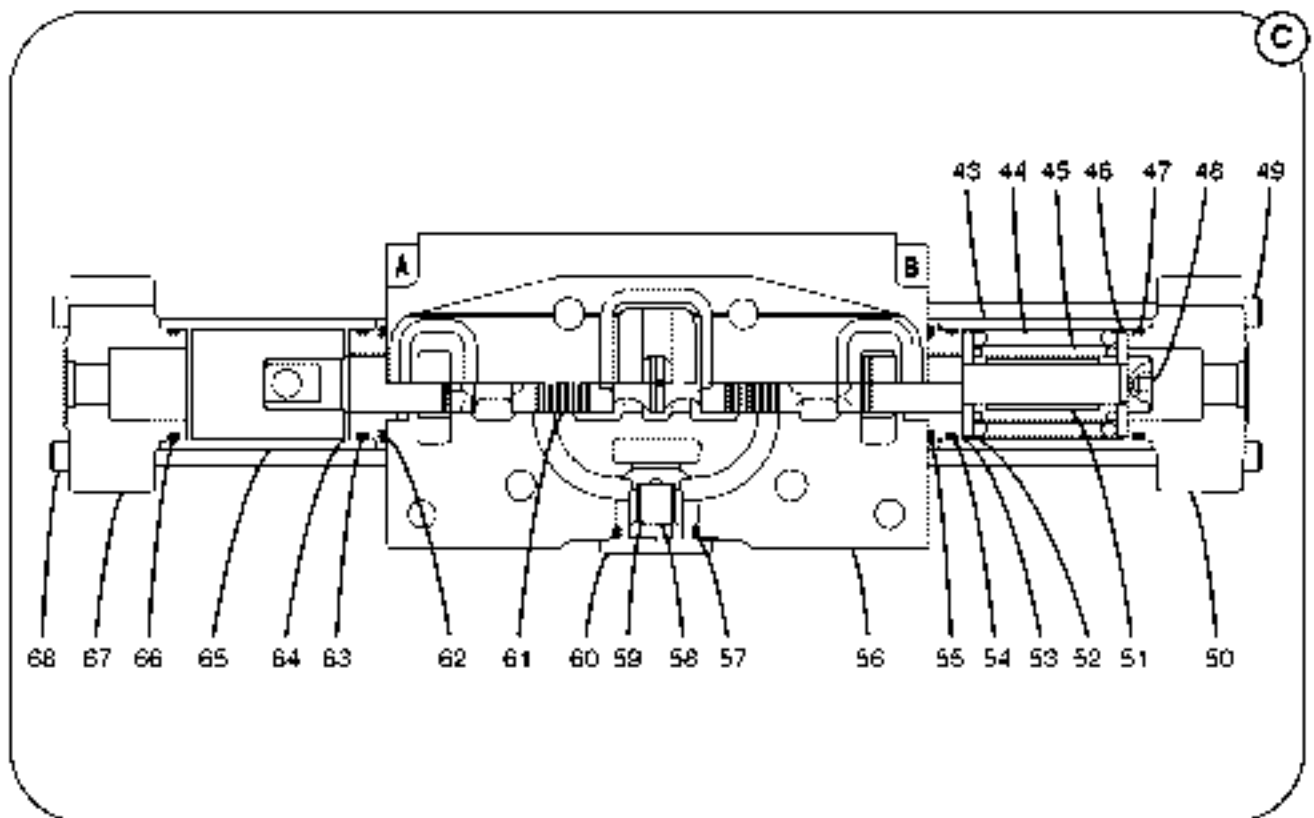
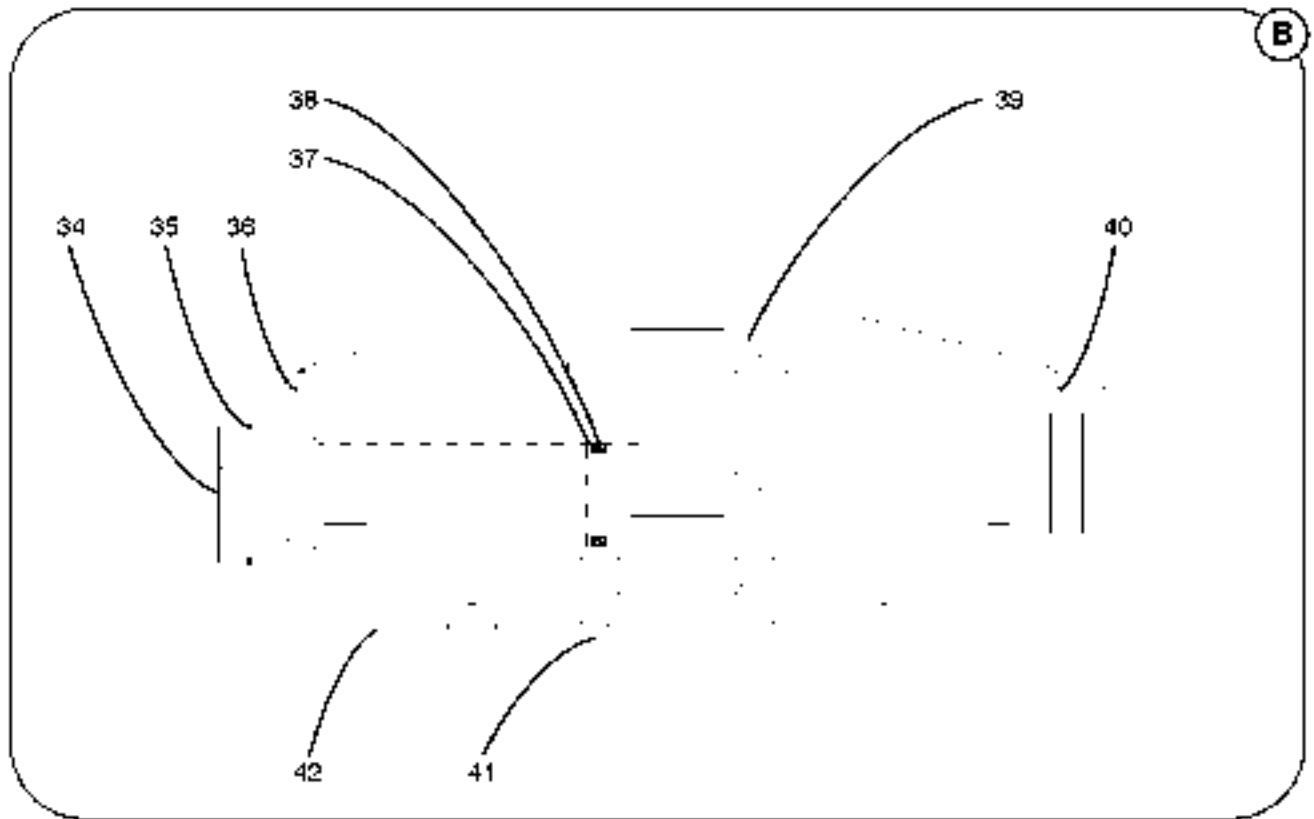


Parts List

0513

Swing/Telescope Control Valve Assy				
REF	PART NO.	QTY	DESCRIPTION	REMARKS
	J9J0064	1	Swing/Telescope Control Valve Assy	
1	3J 17449	1	Inlet Section	
	3J 17454	1	Valve, Relief	
2	3J 17453	1	Housing	
	3W 0980	3	Seal, Square Ring Section	
	3D 0148	1	Seal, Square Ring Section	
3	3J 10133	1	Plug	
	3J 8433	1	O-ring	
4	3J 17463	1	Kit. Stud	
	3J 17451	1	Outlet Section	
5	3J 17450	1	Housing	
	3J 17460	1	Work Section - Swing	
6	3J 17458	1	Cap, End	
7	3J 11635	1	O-ring	
8	3J 11634	1	Tube	
9	3J 11646	1	Valve, Relief	
10	3J 17485	1	Spool	
11	3J 17484	1	Housing	
	3W 0980	3	Seal, Square Ring Section	
	3D 0148	1	Seal, Square Ring Section	
12	3J 11639	1	Washer	
13	3J 11646	1	Valve, Relief	
14	3J 11634	1	Tube	
15	3J 11637	2	Capscrew	
16	3J 11639	1	Washer	
17	3J 11635	1	O-ring	
18	3J 11643	1	Bolt, Shoulder	
19	3J 17458	1	Cap, End	
20	3J 11641	1	Spring - Outer	
21	3J 11642	1	Spring - Inner	
22	3J 11636	1	Tube	
23	3J 11644	1	Retainer, Seal	
24	3J 11635	1	O-ring	
25	3J 11645	1	O-ring	
26	3J 9605	1	O-ring	
27	3J 11651	1	Plug	
28	3J 11652	1	Spring	
29	3J 11653	1	Poppet	
30	3J 11645	1	O-ring	
31	3J 11635	1	O-ring	
32	3J 11644	1	Retainer, Seal	
33	3J 11637	2	Capscrew	

Swing/Telescope Control Valve Assy

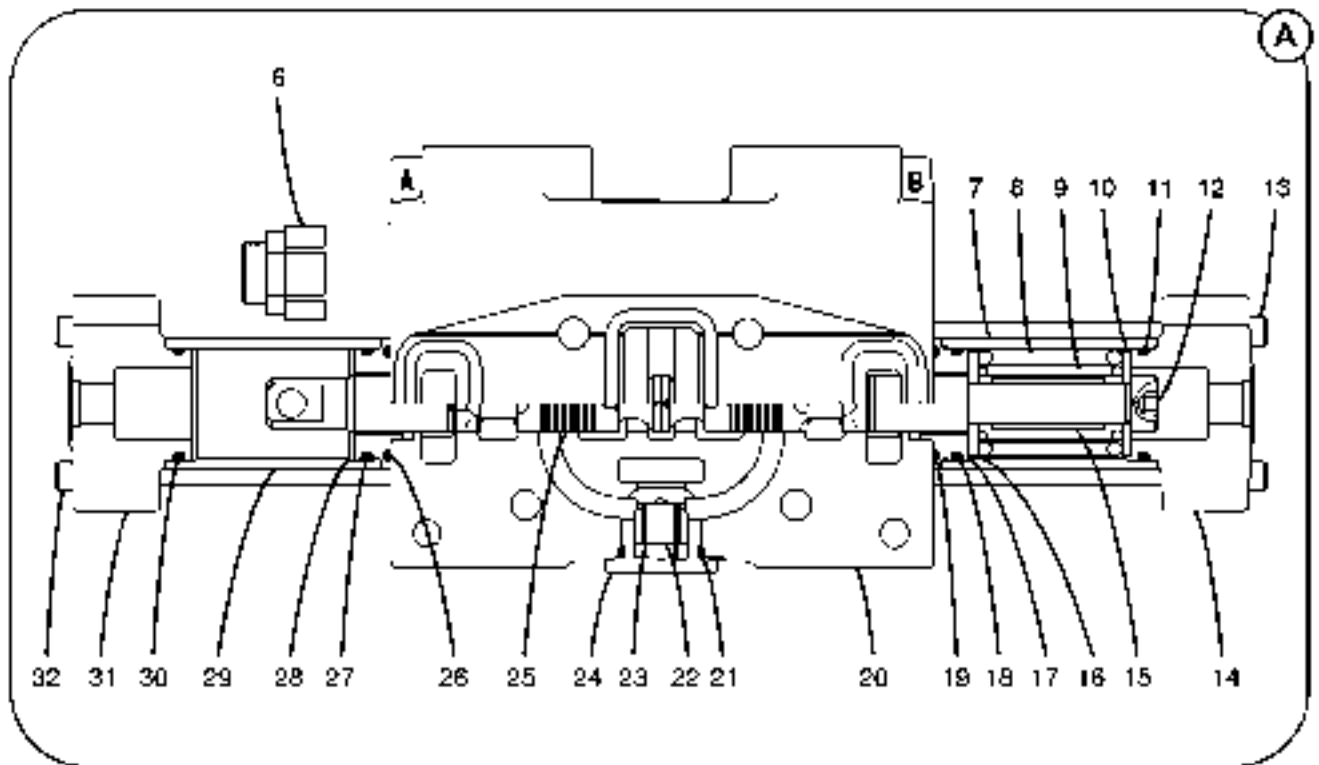
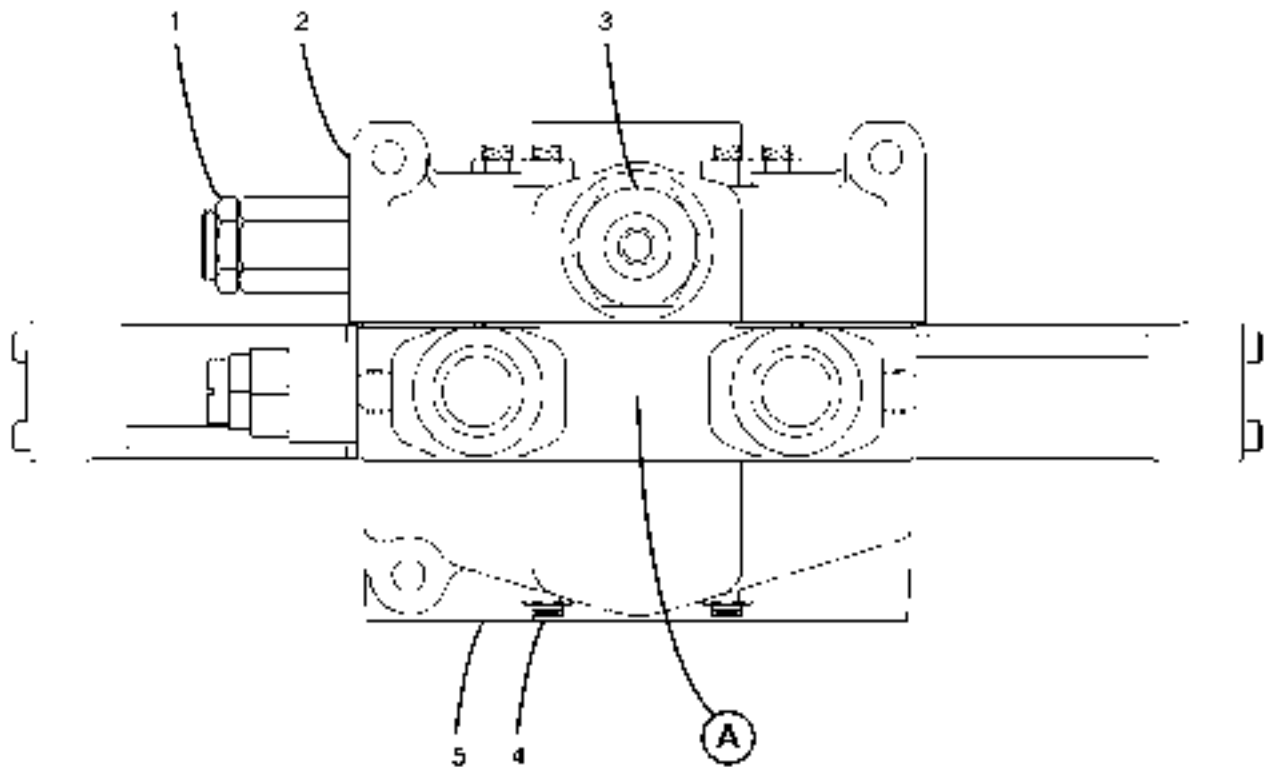


Parts List

0513

Swing/Telescope Control Valve Assy				
REF	PART NO.	QTY	DESCRIPTION	REMARKS
	3J 17461	1	Mid-Inlet Section	
34	3J 17467	1	Plug	
35	3W 1437	1	Gasket	
36	3W 0980	1	Seal, Square Ring Section	
37	3J 17468	1	Ring, Back Up	
38	3W 1440	1	O-ring	
39	3D 0148	1	Seal, Square Ring Section	
40	3W 0980	1	Seal, Square Ring Section	
41	3W 0980	1	Seal, Square Ring Section	
42	3J 17466	1	Housing	
	3J 17462	1	Work Section - Telescope	
43	3J 11634	1	Tube	
44	3J 11641	1	Spring - Outer	
45	3J 11642	1	Spring - Inner	
46	3J 11639	1	Washer	
47	3J 11635	1	O-ring	
48	3J 11643	1	Bolt, Shoulder	
49	3J 11637	2	Capscrew	
50	3J 17458	1	Cap, Valve	
51	3J 11636	1	Tube, Stop	
52	3J 11639	1	Washer	
53	3J 11644	1	Retainer, Seal	
54	3J 11635	1	O-ring	
55	3J 11645	1	O-ring	
56	3J 17469	1	Housing	
	3W 0980	3	Seal, Square Ring Section	
	3D 0148	1	Seal, Square Ring Section	
57	3J 9605	1	O-ring	
58	3J 11653	1	Poppet	
59	3J 11652	1	Spring	
60	3J 11651	1	Plug	
61	3J 17470	1	Spool	
62	3J 11645	1	O-ring	
63	3J 11635	1	O-ring	
64	3J 11644	1	Retainer, Seal	
65	3J 11634	1	Tube	
66	3J 11635	1	O-ring	
67	3J 17458	1	Cap, Valve	
68	3J 11637	2	Capscrew	

Boom Hoist Control Valve Assy

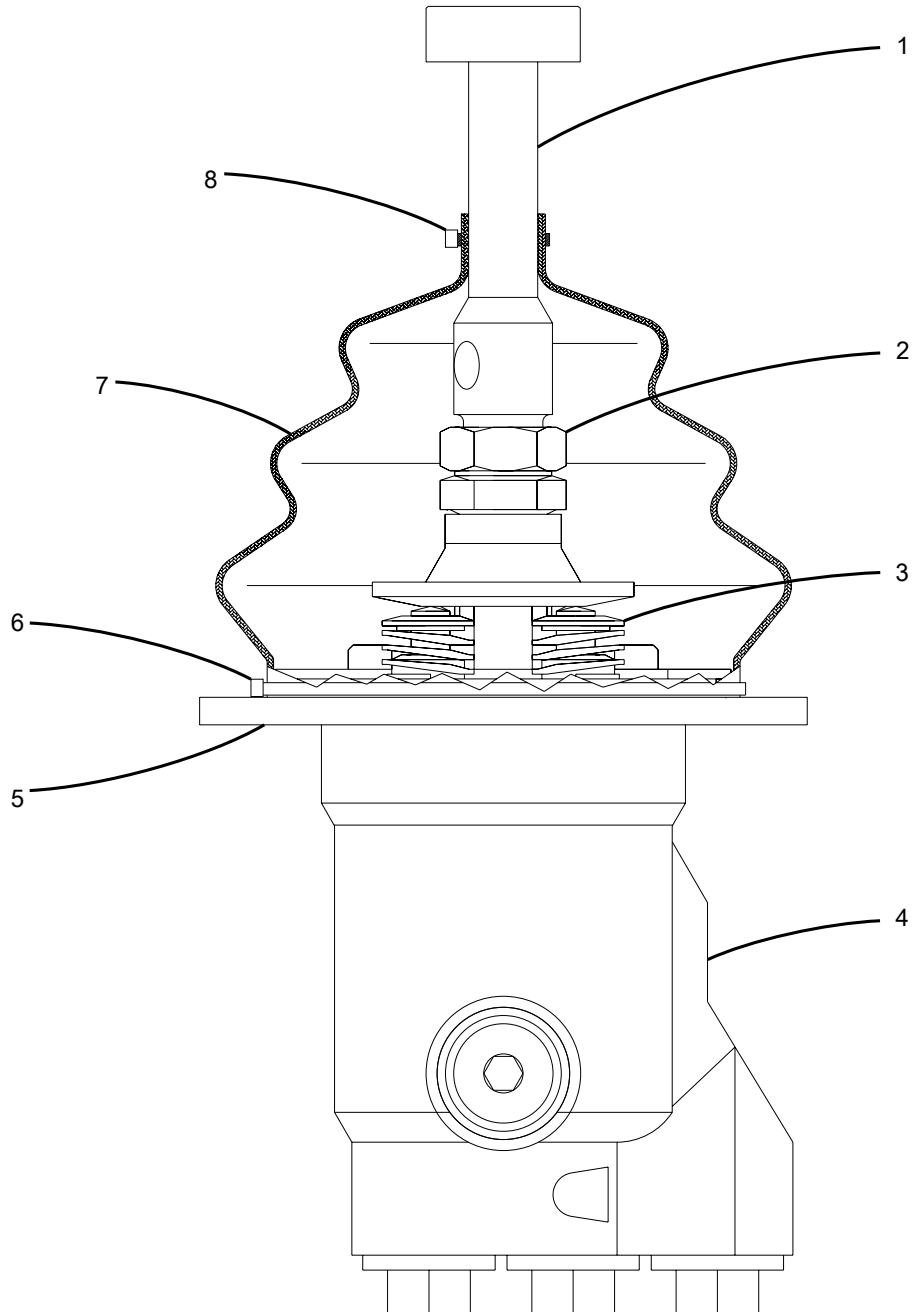


Parts List

0805

Boom Hoist Control Valve Assy				
REF	PART NO.	QTY	DESCRIPTION	REMARKS
	J9J0065	1	Boom Hoist Control Valve Assy	
	3J 17449	1	Inlet Section	
1	3J 17454	1	Valve, Relief	
2	3J 17453	1	Housing, Inlet	
	3W 0980	3	Seal, Square Ring Section	
	3D 0148	1	Seal, Square Ring Section	
3	3J 10133	1	Plug	
	3J 8433	1	O-ring	
4	3J 17452	1	Kit, Stud	
	3J 17451	1	Outlet Section	
5	3J 17459	1	Housing, Outlet	
	3J 17450	1	Work Section	
6	3J 11646	1	Valve, Relief	
7	3J 11634	1	Tube	
8	3J 11641	1	Spring - Outer	
9	3J 17457	1	Spring - Inner	
10	3J 11639	1	Washer	
11	3J 11635	1	O-ring	
12	3J 11643	1	Bolt, Shoulder	
13	3J 11637	2	Screw	
14	3J 17458	1	Cap, Valve	
15	3J 11636	1	Tube, Stop	
16	3J 11639	1	Washer	
17	3J 11644	1	Tube	
18	3J 11635	1	O-ring	
19	3J 11645	1	O-ring	
20	3J 17455	1	Housing	
	3W 0980	3	Seal, Square Ring Section	
	3D 0148	1	Seal, Square Ring Section	
21	3J 9605	1	O-ring	
22	3J 11653	1	Poppet	
23	3J 11652	1	Spring, Check	
24	3J 11651	1	Cap, Check	
25	3J 17456	1	Spool	
26	3J 11645	1	O-ring	
27	3J 11635	1	O-ring	
28	3J 11644	1	Tube	
29	3J 11634	1	Tube	
30	3J 11635	1	O-ring	
31	3J 17458	1	Cap, Valve	
32	3J 11637	2	Screw	

Controller Valve Assy

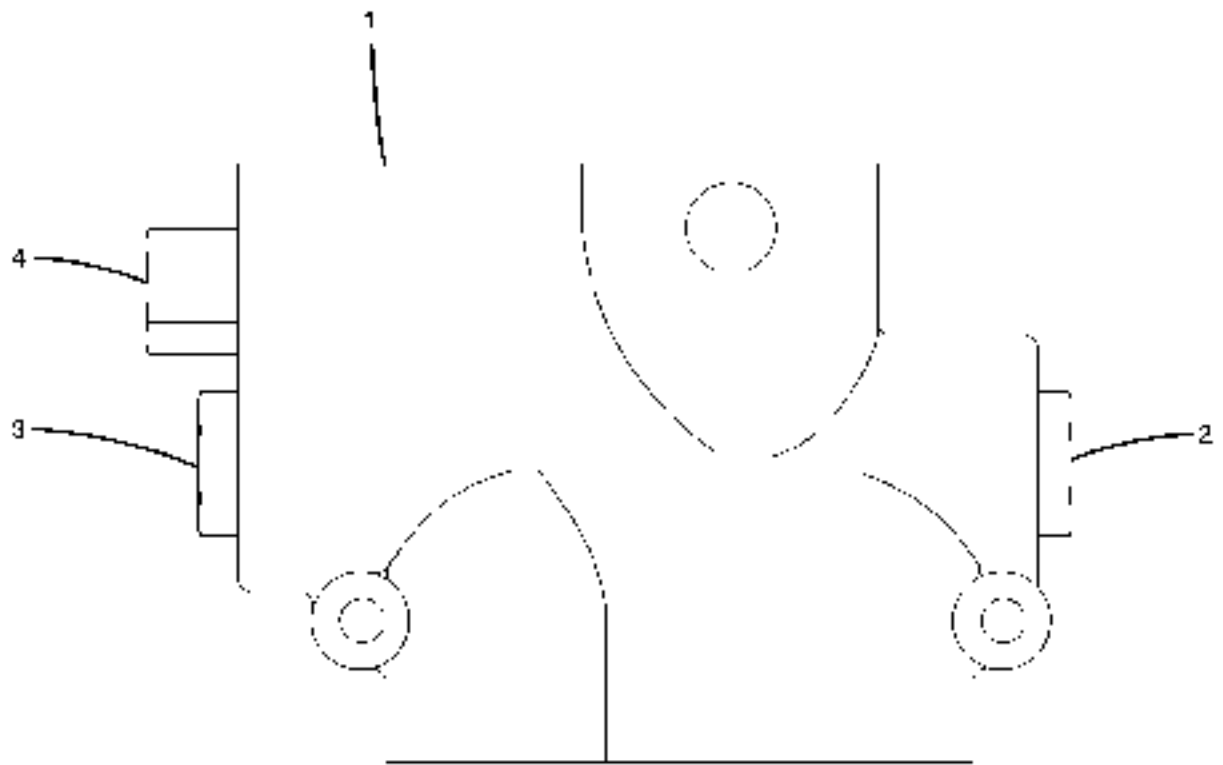


Parts List

0816

Controller Valve Assy				
REF	PART NO.	QTY	DESCRIPTION	REMARKS
	P9J0142		Controller Valve Assy	
1	3J 17182		•Lever	
2	3J 17183		•Nut, Jam	
3	3J 17955		•Push Pin Assy	
	3J 17954		••Kit, Seal	
4	3J 17934		•Body	
5	3J 17191		•Plate, Mounting	
6	3J 17173		•Tie, Cable	
7	3J 17184		•Boot	
8	3J 17179		•Tie, Cable	

Priority Valve Assy



Parts List

0907

Priority Valve Assy				
REF	PART NO.	QTY	DESCRIPTION	REMARKS
	69JC627	1	Priority Valve Assy	
1	3J 6647	1	Housing	
2	3J 6663	1	Plug	
	3J 12009	1	Setscrew	
3	3J 11506	1	Plug	
	3A 21156	1	O-ring	
4	3J 18021	1	Valve, Relief	
	3J 18020	1	Spool	
	3J 12010	1	Spring	
	3J 12008	1	Setscrew	

Flow Divider Valve Assy

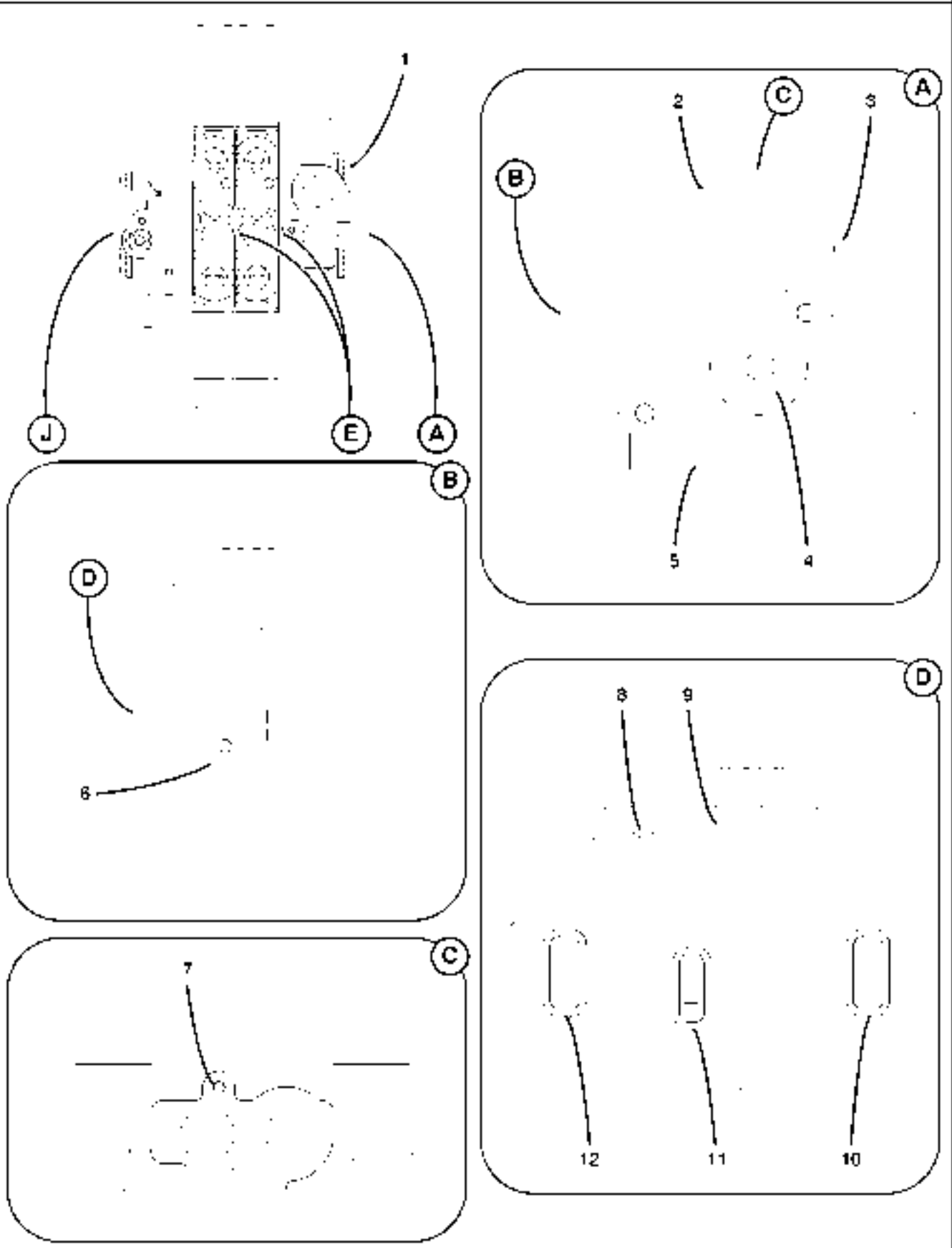


Parts List

0809

Flow Divider Valve Assy				
REF	PART NO.	QTY	DESCRIPTION	REMARKS
1	R&J0056	1	Flow Divider Valve Assy	NSS
	REF	1	Block, Valve	
2	3J 18601	1	Valve, Solenoid	
	3J 18602	1	Kit, Seal	
	3J 18603	1	Nut, Coil	
	3J 15178	1	Spacer	
3	3J 18599	1	Valve, Directional	
	3J 17719	1	Kit, Seal	
4	3J 18600	1	Valve, Directional	
	3J 17719	1	Kit, Seal	
5	3J 12372	1	Divider, Flow	
	3J 17719	1	Kit, Seal	

2 Section Control Valve Assy

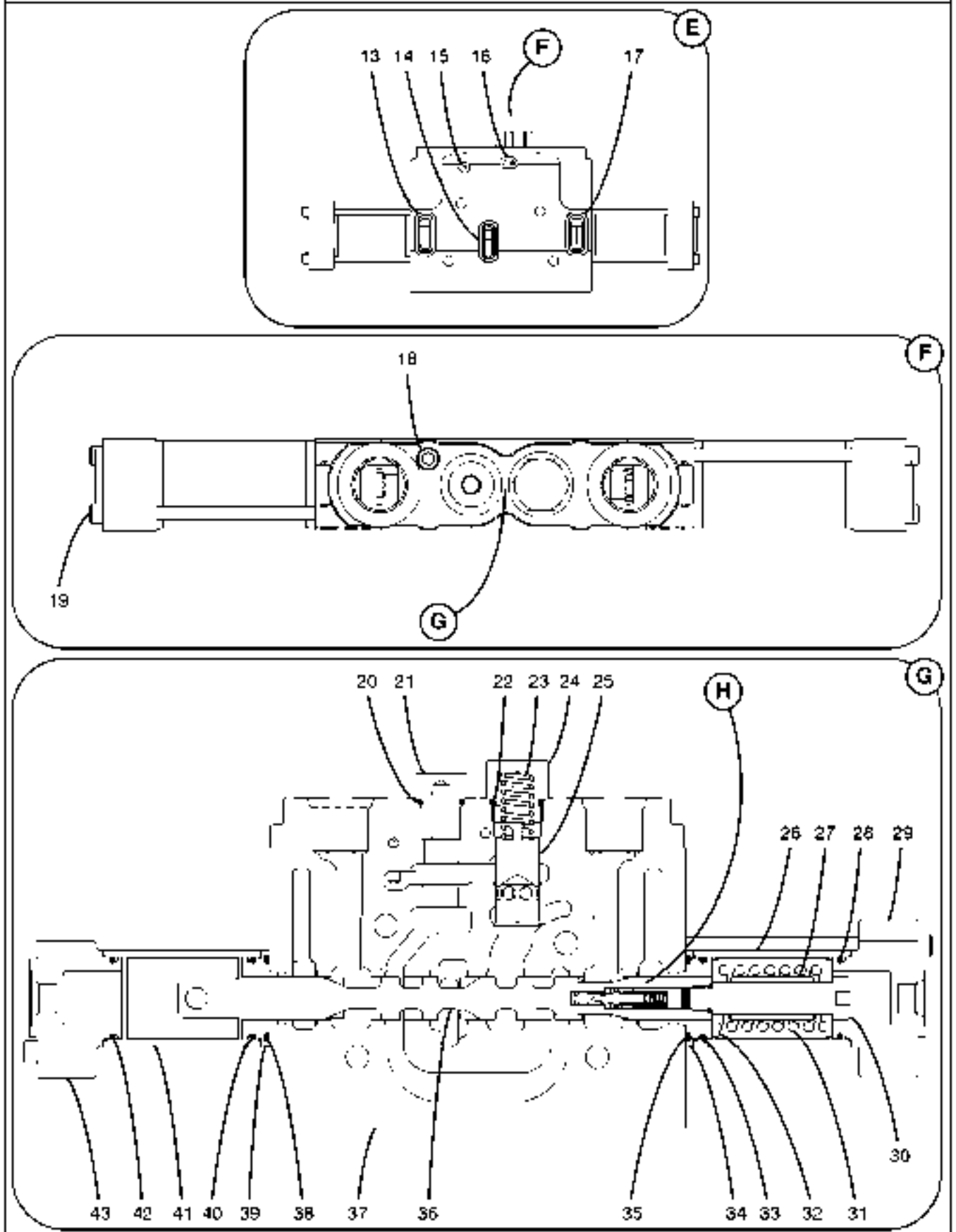


Parts List

0313

2 Section Control Valve Assy				
REF	PART NO.	QTY	DESCRIPTION	REMARKS
1	L8J0472	1	2 Section Control Valve Assy	
	3J 17463	4	Stud Assy	
2	3J 17534	1	Inlet Section Assy	
	3J 17540	1	Plug	
3	3J 17538	1	Orifice/Screen Assy	
4	3J 17535	1	Plug	
5	3J 17541	1	Housing	
6	3J 8122	1	Plug	
7	3J 17539	2	Plug, Expander	
8	3J 17537	1	O-ring	
9	3J 17537	1	O-ring	
10	3W 0980	1	Seal, Section	
11	3J 17536	1	O-ring	
12	3W 0980	1	Seal, Section	
13	3J 17533	2	Work Section Assy	
	3W 0980	1	Seal, Section	
14	3J 17536	1	O-ring	
15	3J 17537	1	O-ring	
16	3J 17551	1	O-ring	
17	3W 0980	1	Seal, Section	
18	3J 17562	1	Check Assy	
19	3J 11637	4	Capscrew	
20	3W 0982	1	O-ring	
21	3J 18078	1	Cap	
22	3J 17553	1	O-ring	
23	3J 17555	1	Spring	
24	3J 17554	1	Cap	
25	3J 17566	1	Poppet	
26	3J 11634	1	Tube	
27	3J 17558	1	Limiter, Stroke	
28	3J 11635	1	O-ring	
29	3J 17458	1	Cap, End	
30	3J 17561	1	Bolt, Stripper	
31	3J 17567	1	Spring	
32	3J 17560	2	Retainer, Spring	
33	3J 11635	1	O-ring	
34	3J 11644	1	Retainer, Seal	
35	3J 11645	1	O-ring	
36	3J 17567	1	Spool	
37	3J 17568	1	Housing	
38	3J 11645	1	O-ring	
39	3J 11644	1	Retainer, Seal	
40	3J 11635	1	O-ring	
41	3J 11634	1	Tube	
42	3J 11635	1	O-ring	
43	3J 17458	1	Cap, End	
44	3J 17566	1	Seat	
45	3J 17565	1	Poppet	
46	3J 17564	1	Spring	
47	3J 17563	1	Guide, Spring	
48	3J 17562	3	Shim	
49	3J 17560	1	O-ring	

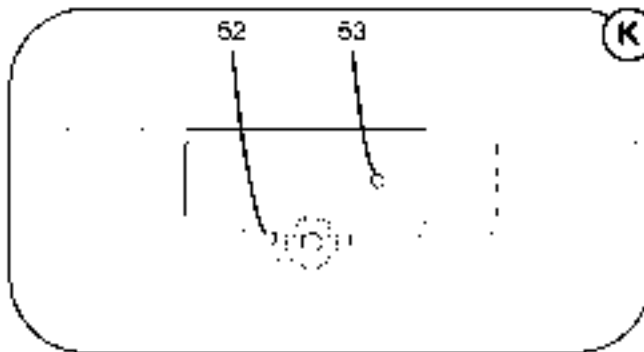
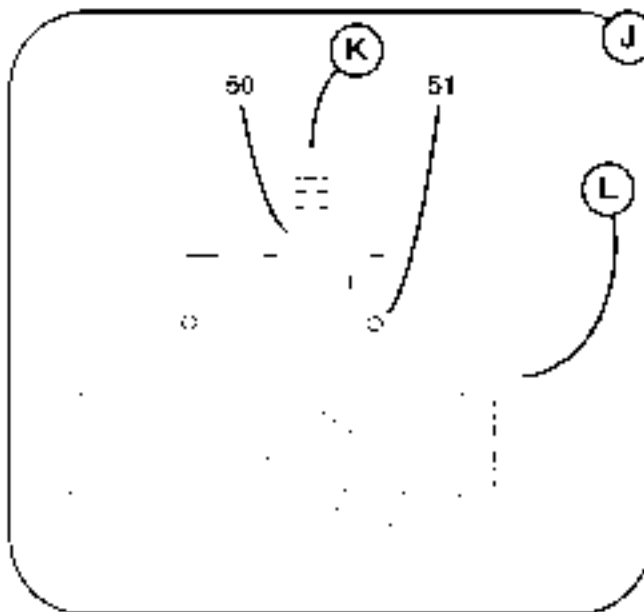
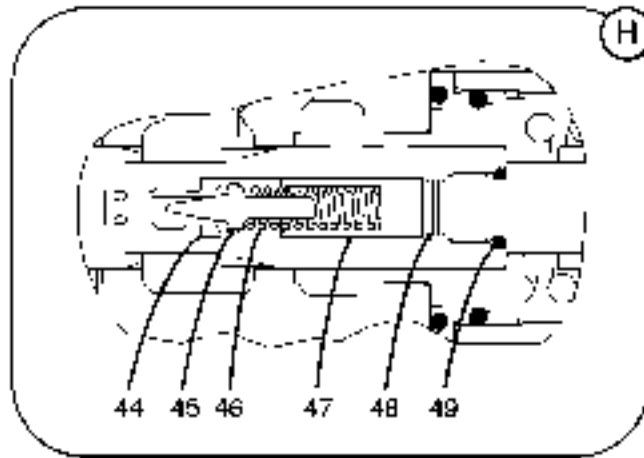
2 Section Control Valve Assy



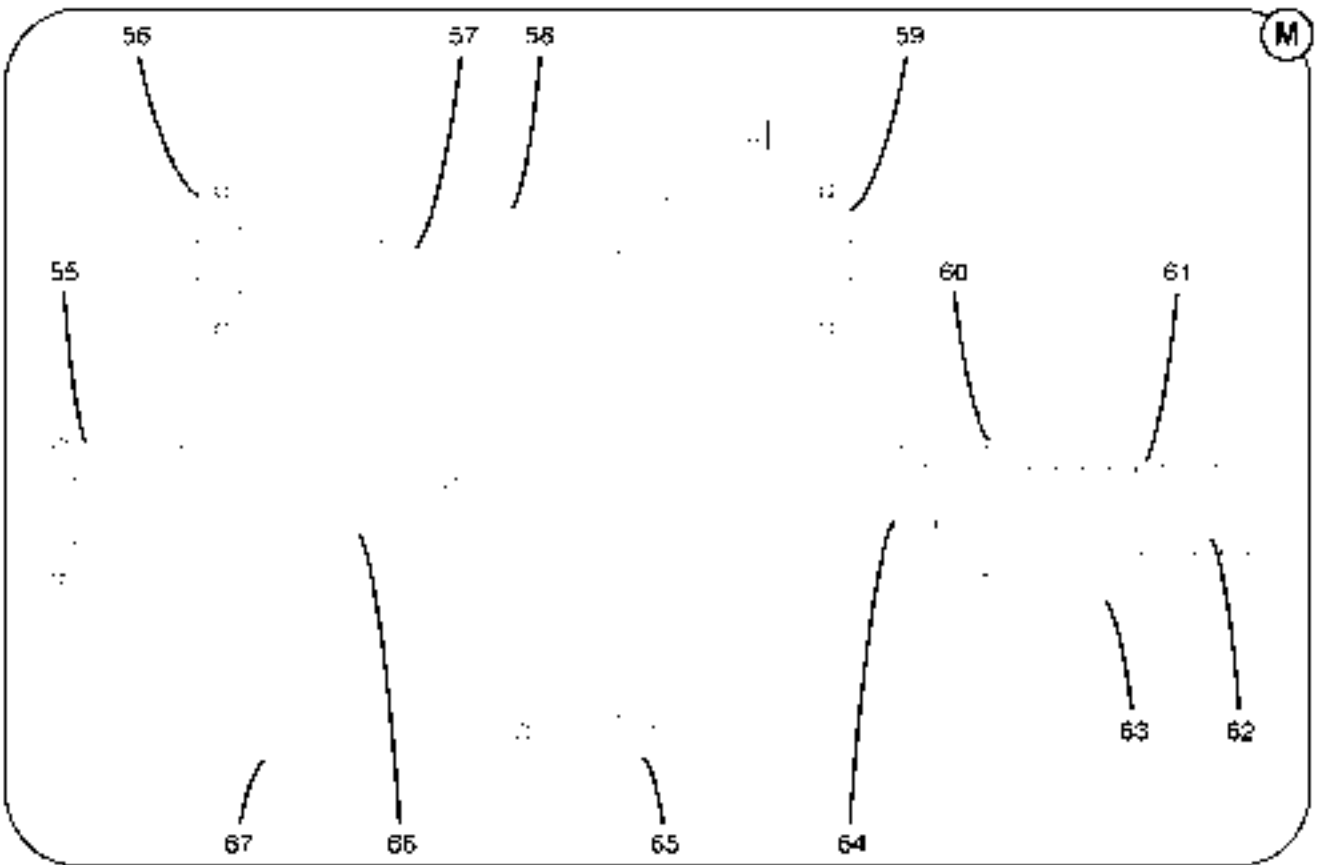
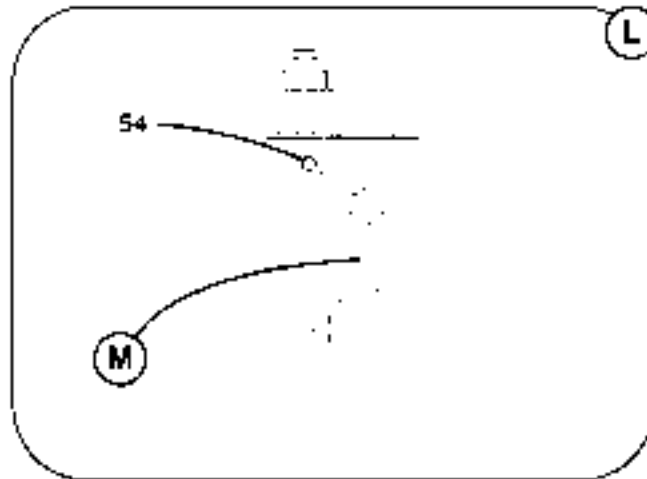
Parts List

0313

2 Section Control Valve Assy



2 Section Control Valve Assy



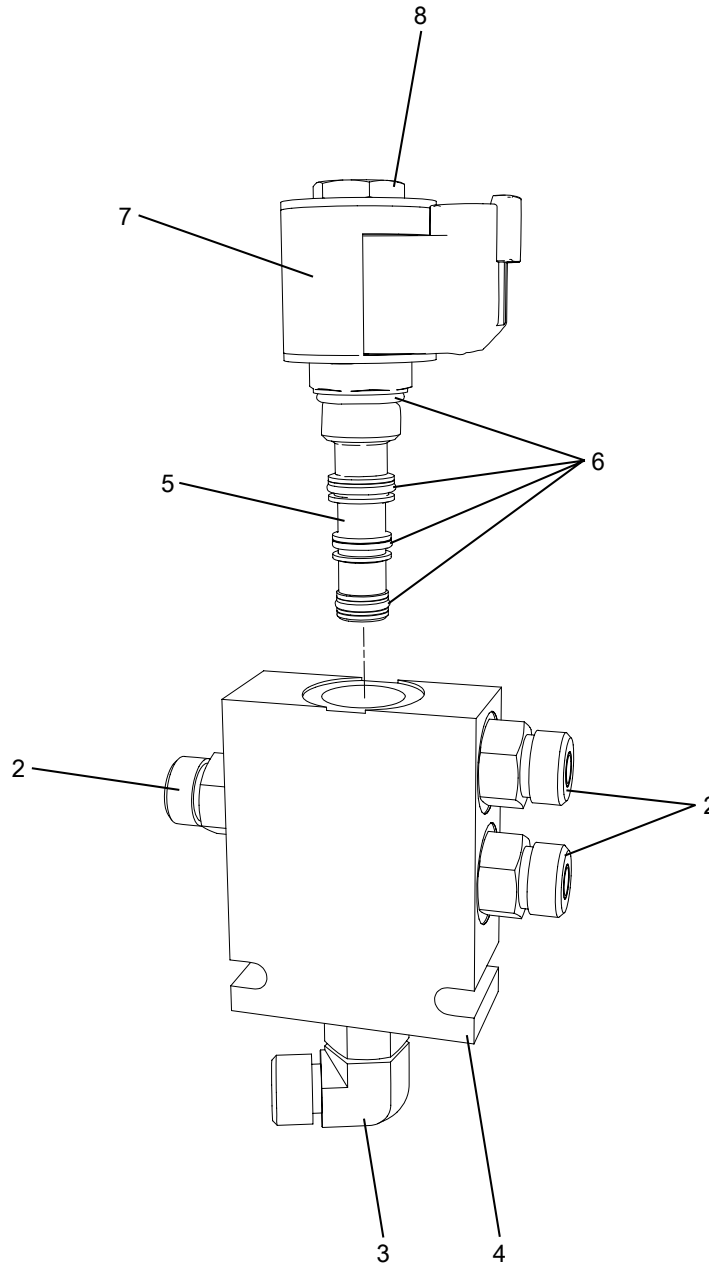
Parts List

0313

2 Section Control Valve Assy				
REF	PART NO.	QTY	DESCRIPTION	REMARKS
	3J 18077	1	Outlet Section Assy	
50	3J 17543	1	Valve, Relief	
51	3J 8122	2	Plug	
52	3J 17539	1	Plug, Expander	
53	3J 17539	1	Plug, Expander	
54	3J 17539	1	Plug, Expander	
55	3J 17535	1	Plug	
56	3J 17535	1	Plug	
57	3J 17546	1	Plug	
58	3J 17547	1	Spool	
59	3J 17535	1	Plug	
60	3J 18080	1	O-ring	
61	3J 17545	1	Spring	
62	3J 17544	1	Limiter, Stroke	
63	3J 17546	1	Cap	
64	3J 18079	1	Orifice	
65	3J 17535	1	Plug	
66	3J 17549	1	Spool	
67	3J 18081	1	Housing	

Winch Disable Valve S/A

1 - Includes items 2-8

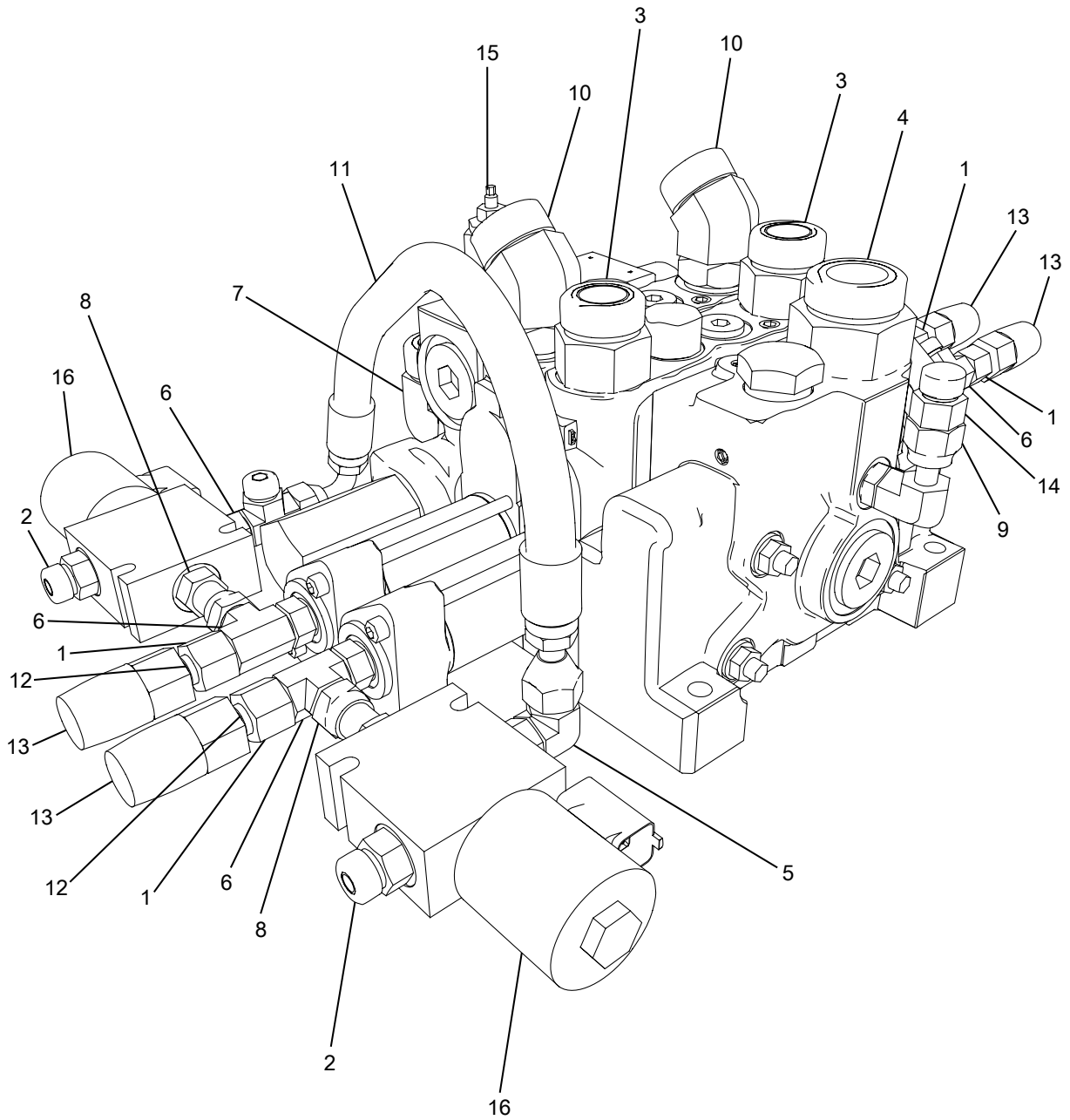


Parts List

0315

Winch Disable Valve S/A				
REF	PART NO.	QTY	DESCRIPTION	REMARKS
1	J9J0327	1	Winch Disable Valve S/A	NSS
2	1X 7368	3	•Connector	
3	1X 7385	1	•Elbow	
4	J9J0326	1	•Valve, 4 Way Solenoid	
5	3J 18442	1	••Cartridge	
6	3J 12278	1	••Kit, Seal	
7	3J 18230	1	••Coil	
8	3J 18144	1	••Nut, Coil	

Winch Valve S/A



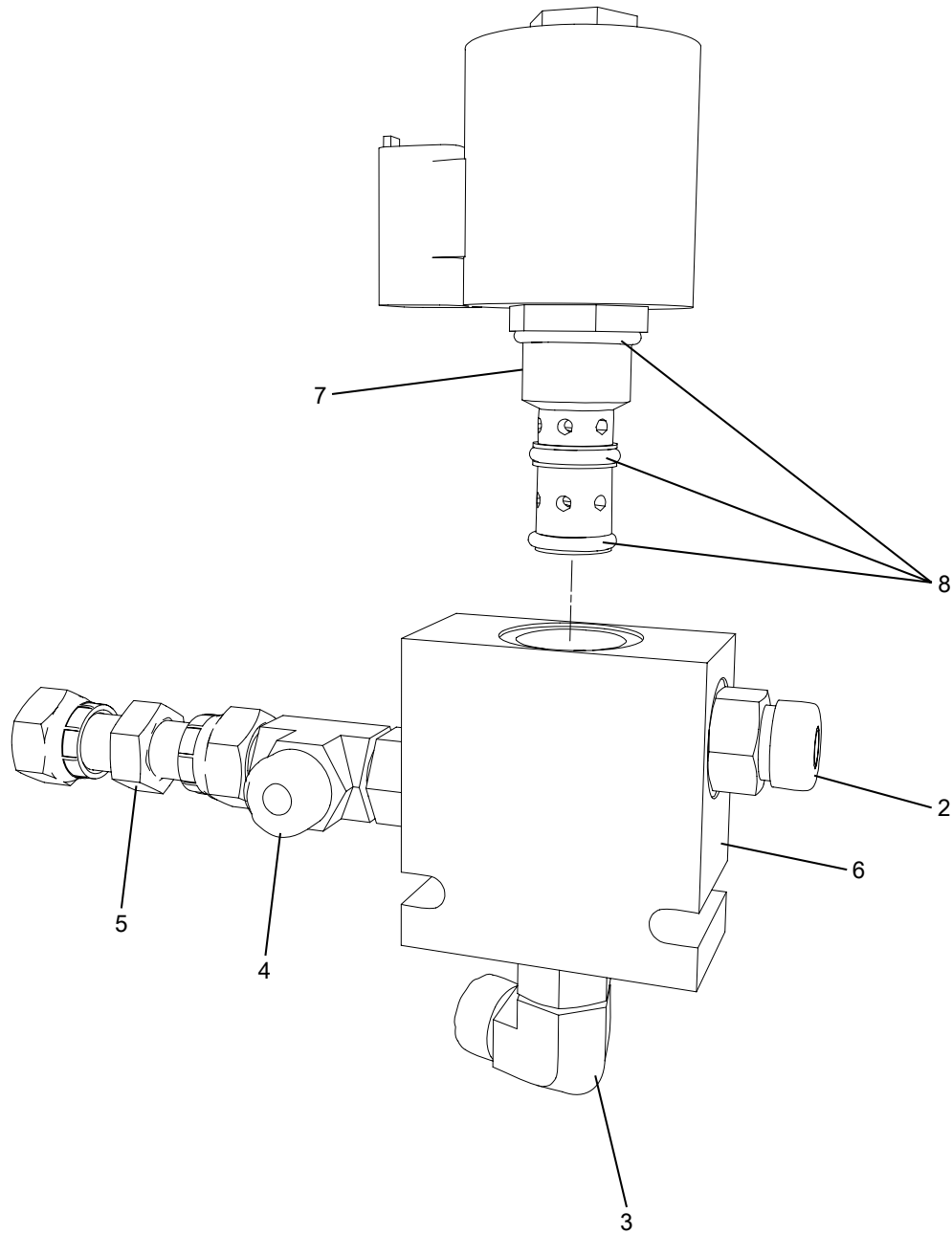
Parts List

1017

Winch Valve S/A				
REF	PART NO.	QTY	DESCRIPTION	REMARKS
	L8J0493	1	Winch Valve S/A	NSS
1	1X 7361	4	•Nut, Tube	
2	1X 7368	2	•Connector	
3	1X 7376	2	•Connector	
4	1X 7378	1	•Connector	
5	1X 7385	1	•Elbow	
6	1X 7398	5	•Tee	
7	1X 7450	1	•Elbow	
8	1X 7462	2	•Connector, Swivel	
9	1X 7559	1	•Elbow	
10	1X 7781	2	•Elbow	
11	69J0275	1	•Hose Assy	
12	70J0172	4	•Adaptor	
13	D3R0116	4	•Switch, Pressure	
14	D6J0623	1	•Valve, Check	
15	L8J0472	1	•2 Section Control Valve Assy - See 07-008-560.00	
16	N4J0152	2	•Valve, 3 Way Solenoid	
	3J 12929	1	••Cartridge	
	3J 12931	1	••Kit, Seal	

Winch Valve S/A

1 - Includes items 2-8



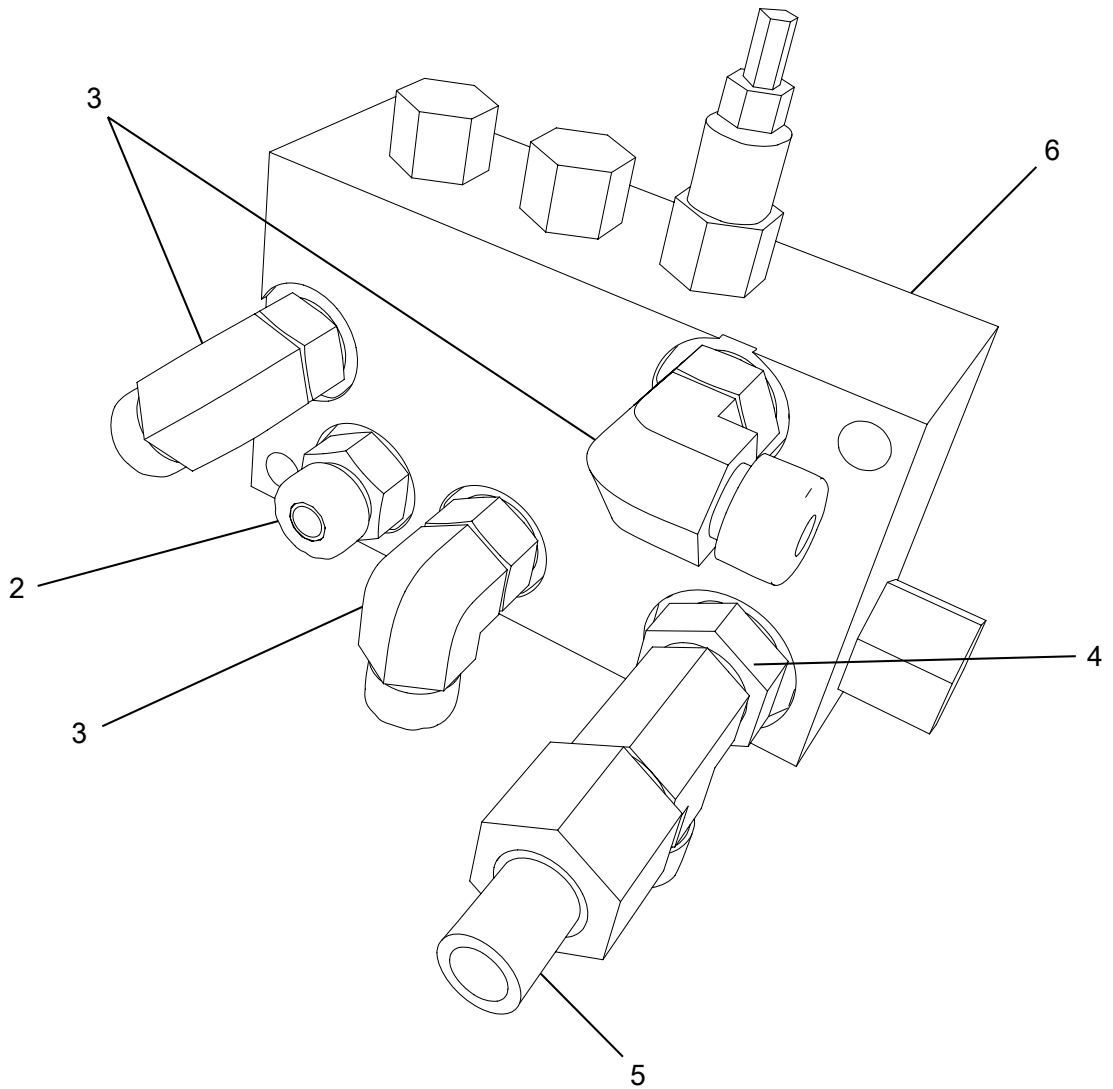
Parts List

0315

Winch Valve S/A				
REF	PART NO.	QTY	DESCRIPTION	REMARKS
1	J6J0330	1	Winch Valve S/A	NSS
2	1X 7368	1	•Connector	
3	1X 7385	1	•Elbow	
4	1X 7398	1	•Tee	
5	J9J0273	1	•Union	
6	N4J0152	1	•Valve, 3 Way Solenoid	
7	3J 12929	1	••Cartridge	
8	3J 12931	1	••Kit, Seal	

Pilot Oil Supply Valve S/A

1 - Includes items 2-6



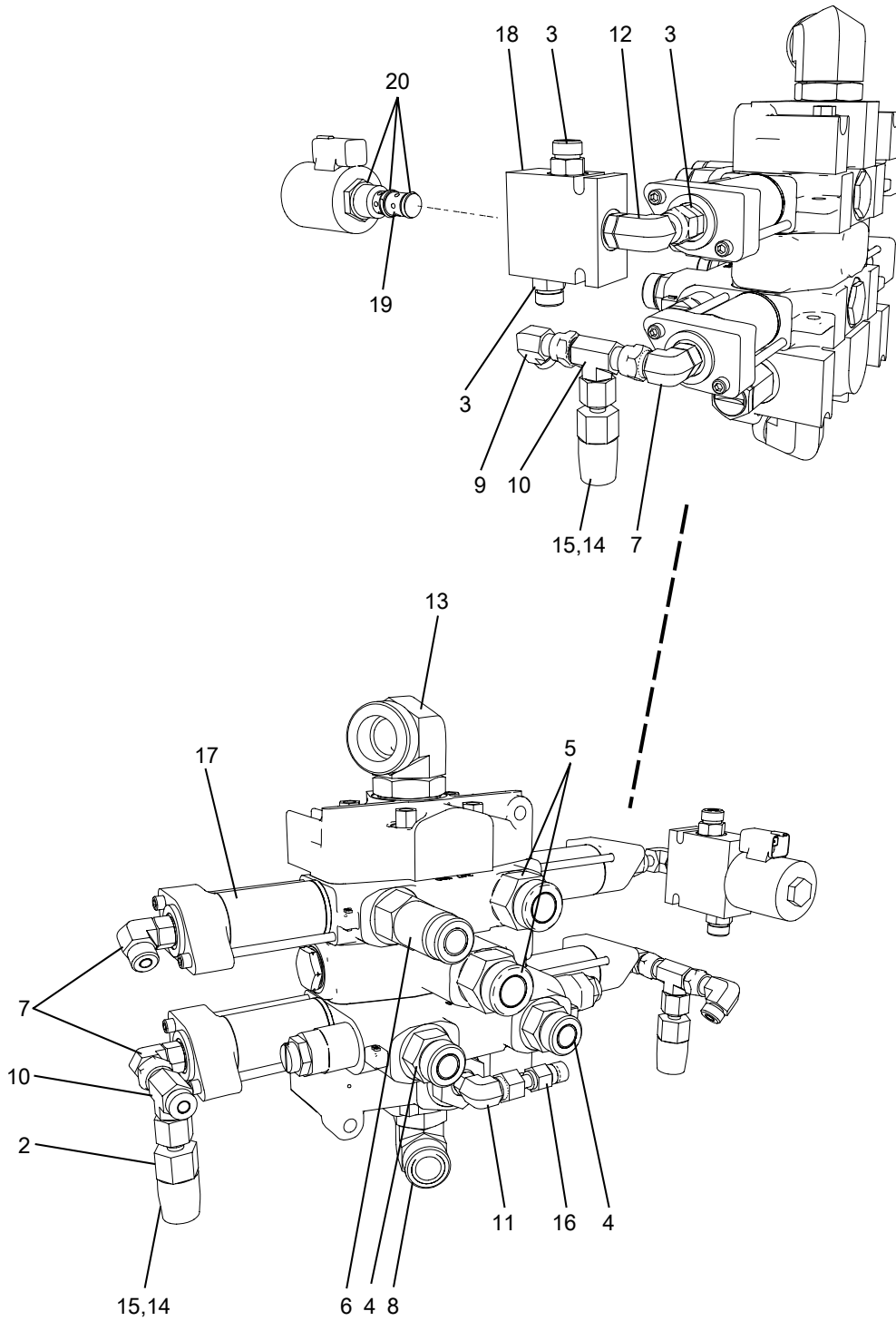
Parts List

0215

Pilot Oil Supply Valve S/A				
REF	PART NO.	QTY	DESCRIPTION	REMARKS
1	F7J0155	1	Pilot Oil Supply Valve S/A	NSS
2	1X 7368	1	•Connector	
3	1X 7385	3	•Elbow	
4	1X 7399	1	•Tee	
5	65J0530	1	•Disconnect, Quick	
6	69J0128	1	•Pilot Oil Supply Valve Assy - See 07-008-397.00	

Swing/Telescope Control Valve Assy

1 - Includes items 2-20



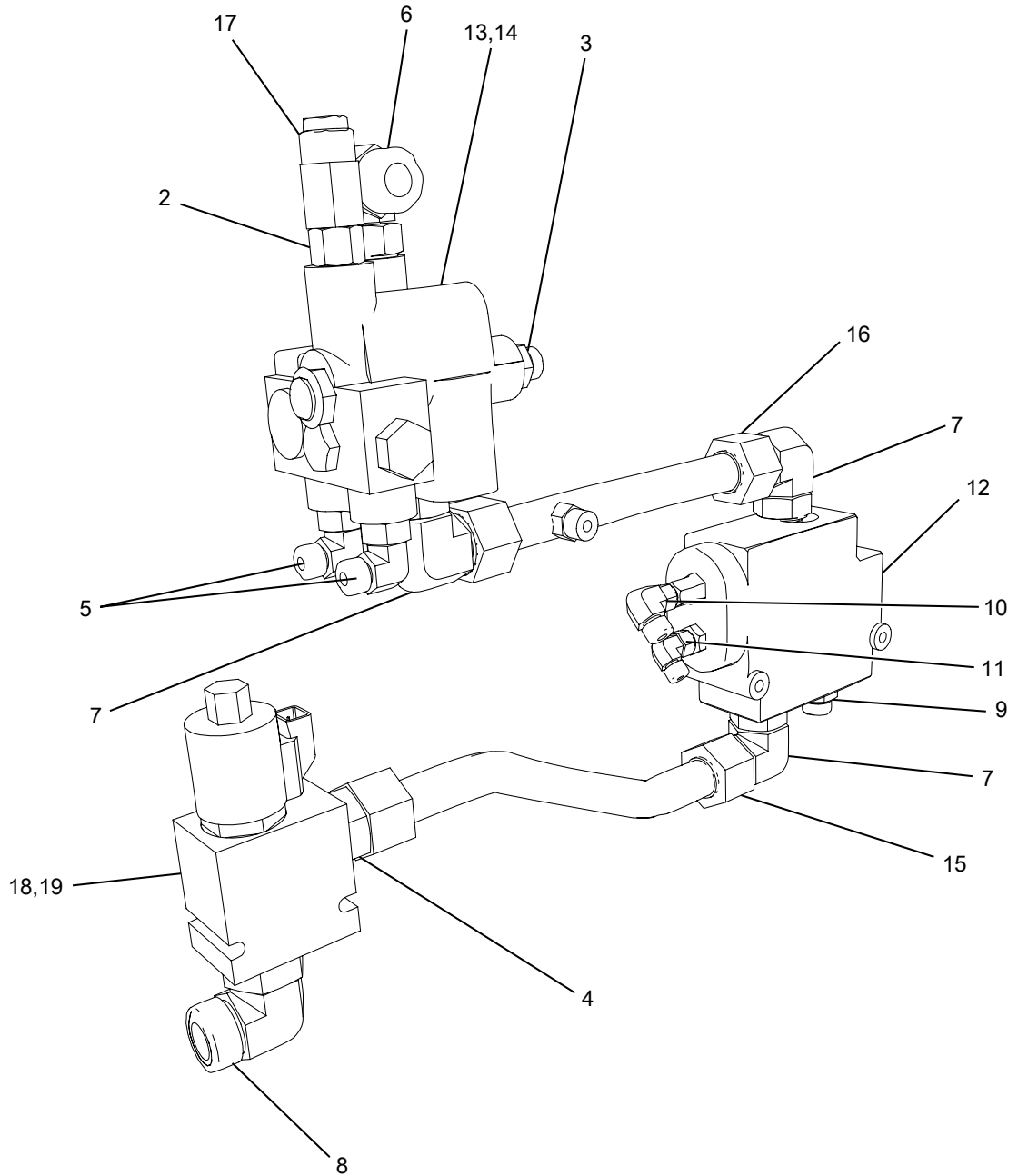
Parts List

0215

Swing/Telescope Control Valve Assy				
REF	PART NO.	QTY	DESCRIPTION	REMARKS
1	J6J0289	1	Swing/Telescope Control Valve S/A	NSS
2	1X 7361	2	•Nut, Tube	
3	1X 7368	1	•Connector	
4	1X 7374	2	•Connector	
5	1X 7376	2	•Connector	
6	1X 7381	1	•Connector	
7	1X 7385	3	•Elbow	
8	1X 7392	1	•Elbow	
9	1X 7404	1	•Elbow	
10	1X 7414	2	•Tee	
11	1X 7458	1	•Elbow	
12	1X 7559	1	•Elbow	
13	1X 7844	1	•Elbow	
14	70J0172	2	•Adaptor	
15	D3R0116	2	•Switch, Pressure	
16	D6J0690	1	•Disconnect, Quick	
17	J9J0064	1	•Swing/Telescope Control Valve Assy - See 07-008-499.00	
18	N4J0152	1	•Valve, 3 Way Solenoid	
19	3J 12929	1	••Cartridge	
20	3J 12931	1	••Kit, Seal	

Accumulator Charge Valve S/A

1 - Includes items 2-19



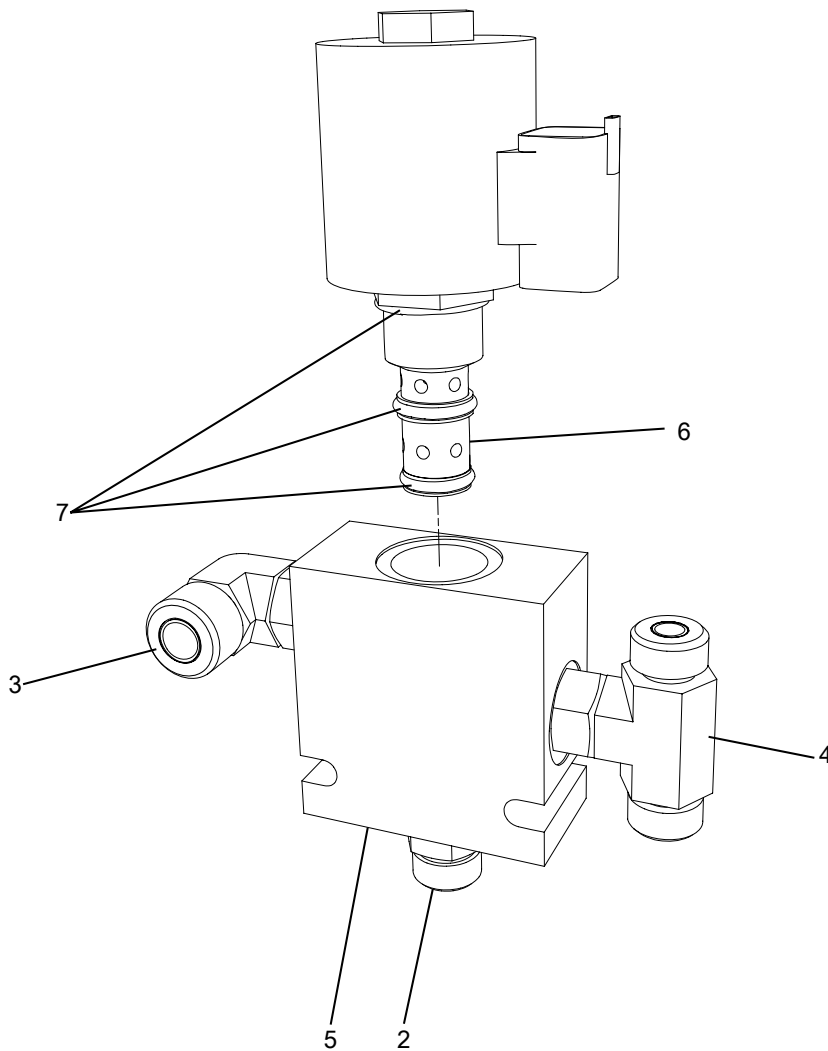
Parts List

0215

Accumulator Charge Valve S/A				
REF	PART NO.	QTY	DESCRIPTION	REMARKS
1	J6J0290	1	Accumulator Charge Valve S/A	NSS
2	1X 5596	1	•Reducer	
3	1X 7369	1	•Connector	
4	1X 7377	1	•Connector	
5	1X 7386	2	•Elbow	
6	1X 7390	1	•Elbow	
7	1X 7391	3	•Elbow	
8	1X 7392	1	•Elbow	
9	1X 7456	1	•Connector	
10	1X 7458	1	•Elbow	
11	1X 7576	1	•Elbow	
12	69J0627	1	•Priority Valve Assy - See 07-008-519.00	
13	F7J0136	1	•Valve, Accumulator Charge	
14	3J 14494	1	••Kit, Rebuild	
15	F7J0138	1	•Tube Assy	
16	F7J0315	1	•Tube Assy	
17	F7R0008	1	•Switch, Pressure	
18	N4J0070	1	•Valve, 2 Way Solenoid	
19	3J 11665	1	••Kit, Seal	

Swing Park Brake Valve S/A

1 - Includes items 2-7



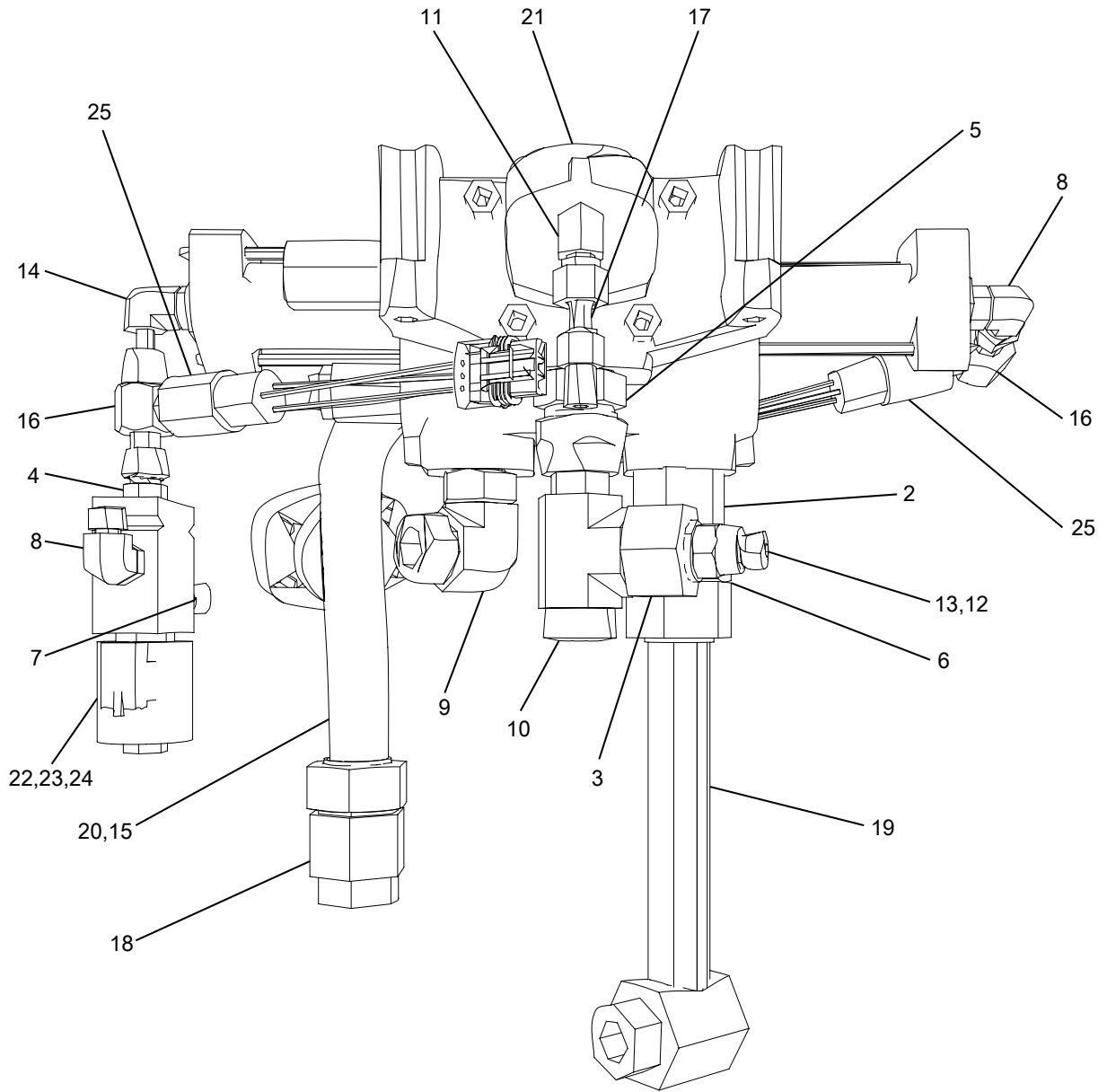
Parts List

0215

Swing Park Brake Valve S/A				
REF	PART NO.	QTY	DESCRIPTION	REMARKS
1	J6J0291	1	Swing Park Brake Valve S/A	NSS
2	1X 7368	1	•Connector	
3	1X 7387	1	•Elbow	
4	1X 7394	1	•Tee	
5	N4J0152	1	•Valve, 3 Way Solenoid	
6	3J 12929	1	••Cartridge	
7	3J 12931	1	••Kit, Seal	

Boom Hoist Valve S/A

1 - Includes Items 2-25



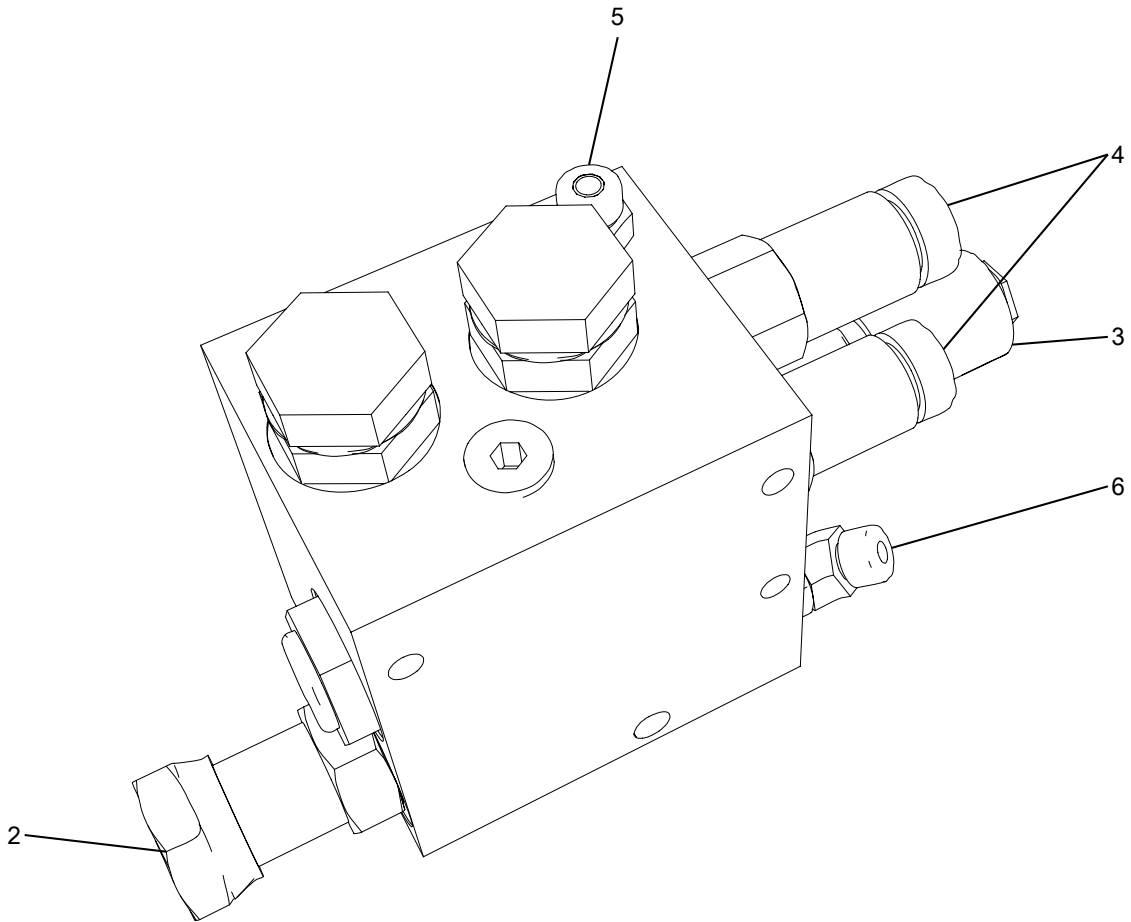
Parts List

0215

Boom Hoist Valve S/A				
REF	PART NO.	QTY	DESCRIPTION	REMARKS
1	J6J0292	1	Boom Hoist Valve S/A	NSS
2	1X 5526	1	•Reducer	
3	1X 7365	1	•Nut, Tube	
4	1X 7368	1	•Connector	
5	1X 7377	1	•Connector	
6	1X 7378	1	•Connector	
7	1X 7382	1	•Elbow	
8	1X 7385	2	•Elbow	
9	1X 7391	1	•Elbow	
10	1X 7418	1	•Tee	
11	1X 7458	1	•Elbow	
12	1X 7492	1	•Reducer	
13	1X 7498	1	•Reducer	
14	1X 7559	1	•Elbow	
15	1X 7844	1	•Elbow	
16	1X 8367	2	•Tee	
17	D6J0690	1	•Disconnect, Quick	
18	E1J0295	1	•Valve, Check	
19	F7J0130	1	•Tube Assy	
20	J6J0183	1	•Tube Assy	
21	J9J0065	1	•Boom Hoist Control Valve Assy - See 07-008-500.00	
22	N4J0152	1	•Valve, 3 Way Solenoid	
23	3J 12931	1	••Kit, Seal	
24	3J 12929	1	••Cartridge	
25	N4R0202	2	•Switch	

Flow Divider Valve S/A

1 - Includes Items 2-6

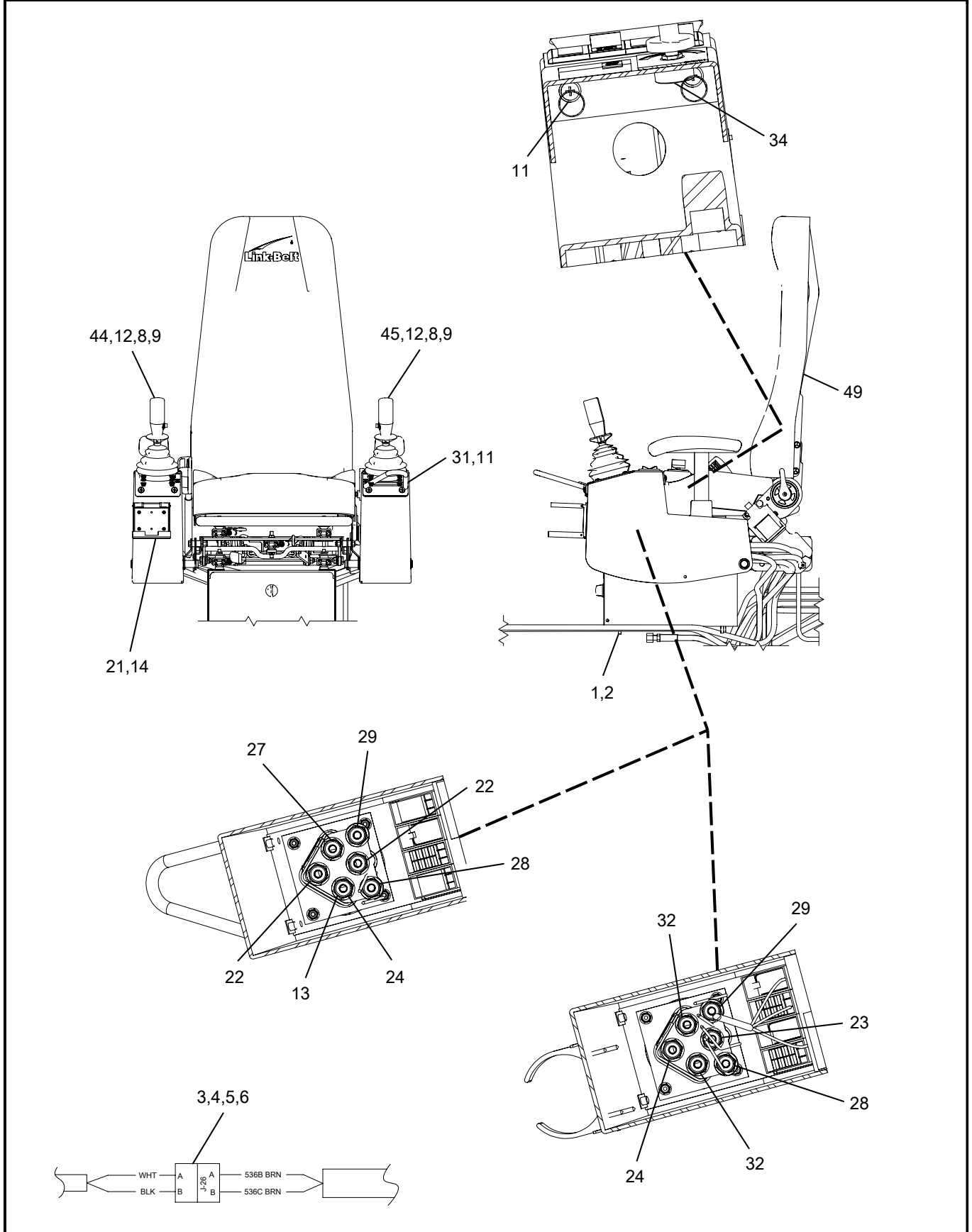


Parts List

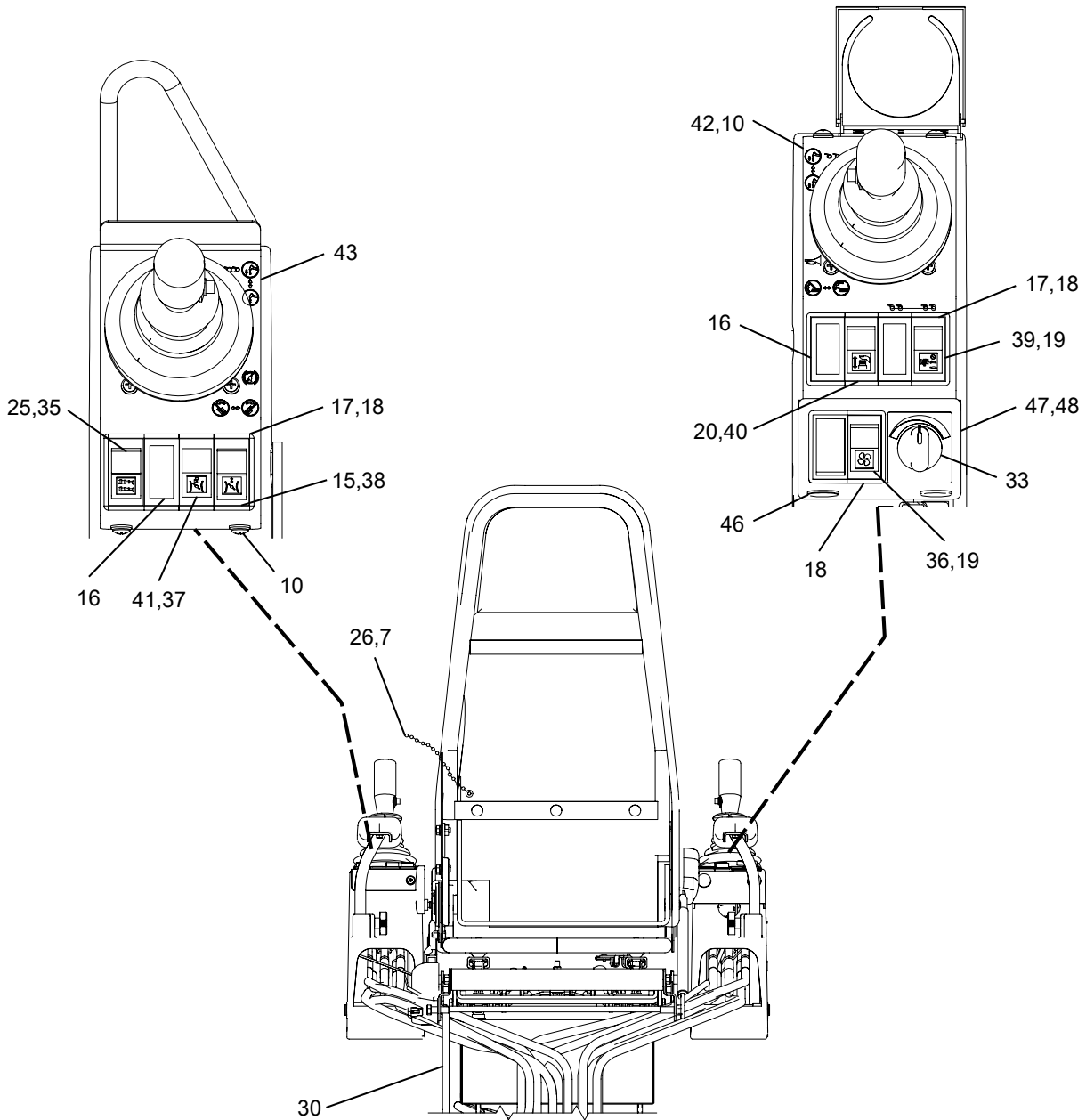
0215

Flow Divider Valve S/A				
REF	PART NO.	QTY	DESCRIPTION	REMARKS
1	J6J0297	1	Flow Divider Valve S/A	NSS
2	1X 7623	1	•Connector	
3	R8J0056	1	•Flow Divider Valve Assy - See 07-008-526.00	
4	1X 7381	2	•Connector	
5	1X 7368	1	•Connector	
6	1X 7382	1	•Elbow	

Seat & Joystick Controls



Seat & Joystick Controls



Parts List

0116

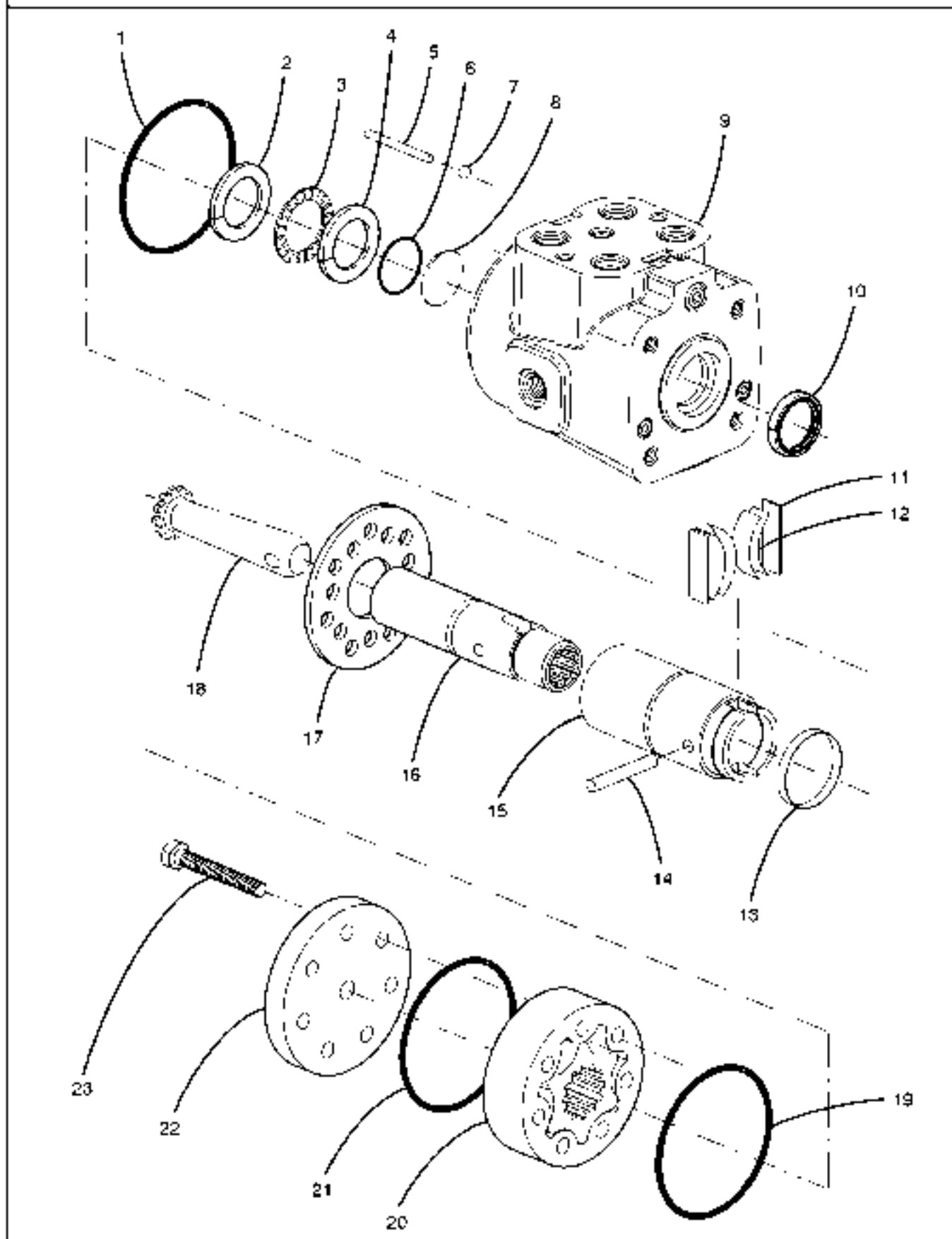
Seat & Joystick Controls				
REF	PART NO.	QTY	DESCRIPTION	REMARKS
1	126009095	4	Capscrew	
2	128003002	4	Washer	
3	155064005	2	Seal, Cable	
4	155106001	2	Terminal	
5	155108001	1	Connector	
6	155140001	1	Lock, Secondary	
7	1P 1413	1	Chain, Ball	
8	1X 1776	8	Washer	
9	1X 4638	8	Locknut	
10	1X 5314	4	Screw	
11	1X 6044	4	Screw	
12	1X 6543	8	Screw	
13	1X 7368	12	Connector	
14	1X 8111	4	Screw	
15	28A5054	1	Switch	
16	28A5060	3	Cover, Switch	
17	28A5061	4	Housing, Switch Intermediate	
18	28A5062	6	Housing, Switch End	
19	C5A1558	2	Switch	
20	D6R0424	1	Switch	
21	E1N0222	1	Holder, Cup	
22	E8J0220	2	Hose Assy	
23	E8J0221	1	Hose Assy	
24	E8J0223	2	Hose Assy	
25	E9R0135	1	Switch	
26	F7N0085	1	Sleeve, Coupling	
27	J6J0164	1	Hose Assy	
28	J6J0169	2	Hose Assy	
29	J6J0170	2	Hose Assy	
30	J6R0163	1	Harness, Seat Wire	
31	J7N0023	1	Gate	
32	L8J0323	2	Hose Assy	
33	L8R0031	1	Knob, Heater Control	
34	L8R0084	1	Potentiometer	
35	L8R0133	1	Lens, Telescope Override	

Parts List

0116

Seat & Joystick Controls				
REF	PART NO.	QTY	DESCRIPTION	REMARKS
36	N3N0268	1	Lens, Heater	
37	N3N0281	1	Lens, Throttle Unlock	
38	N3N0286	1	Lens, Throttle Set/Resume	
39	N3N0291	1	Lens, Winch Control	
40	N3R0057	1	Lens, DRI	
41	N3R0071	1	Switch	
42	N4N0082	1	Panel, Joystick - RH	
43	N4N0083	1	Panel, Joystick - LH	
44	P9J0140	1	RH Controller S/A - See 07-008-584.00	NSS
45	P9J0141	1	LH Controller S/A - See 07-008-585.00	NSS
46	R8N0095	2	Cover	
47	S2N0310	1	Panel, Heater Control	
48	S2N0311	1	Panel, Heater Control Knob	
49	S3N0107	1	Seat Assy - See 03-002-060.00	

Steering Control Valve Assy

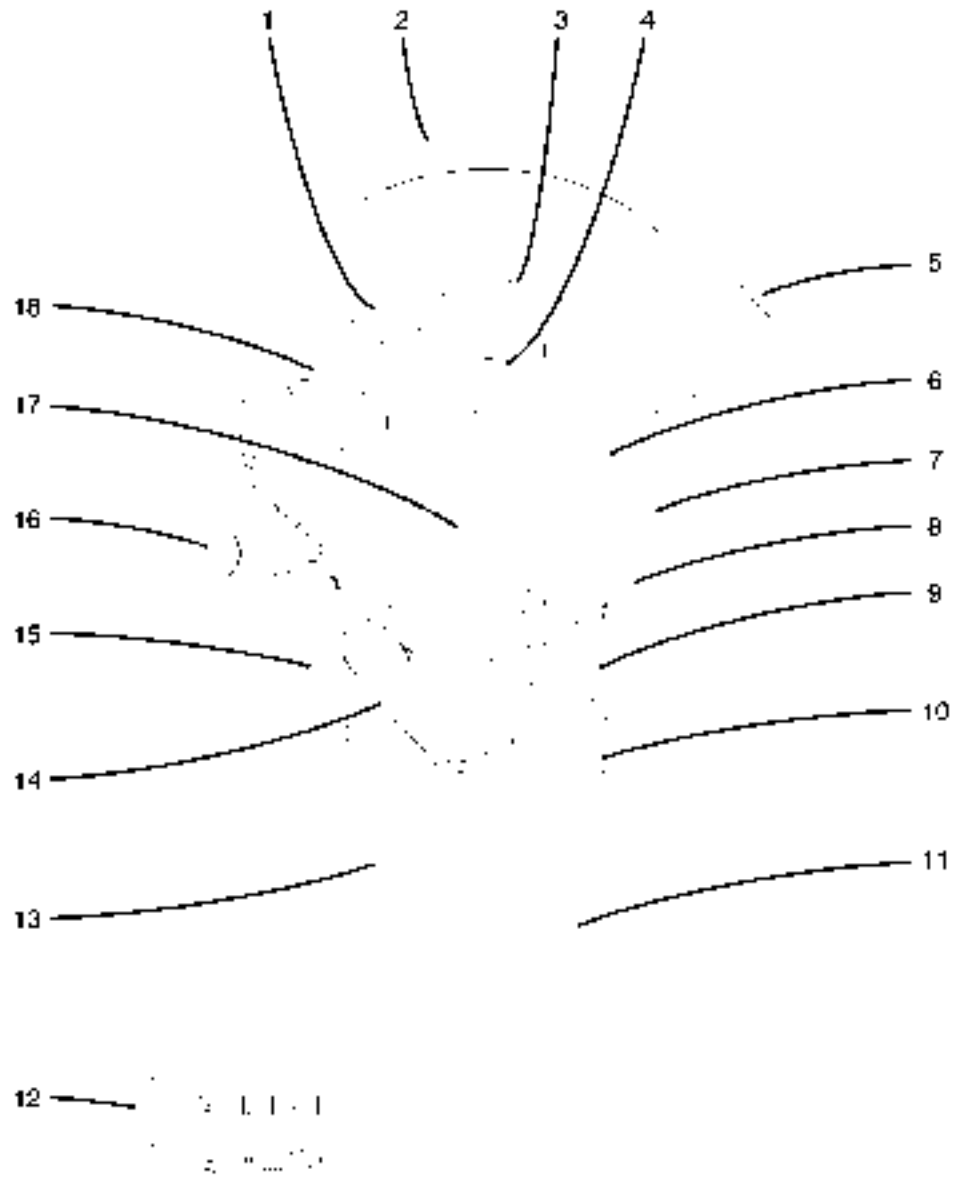


Parts List

1004

Steering Control Valve Assy				
REF	PART NO.	QTY	DESCRIPTION	REMARKS
	J6J0157	1	Steering Control Valve Assy	
1	3J 17366	1	O-ring	KA
2	3J 17376	1	Race. Bearing	
3	3J 17377	1	Bearing. Needle	
4	3J 17376	1	Race. Bearing	
5	3J 17380	1	Pin, Roll	
6	3J 17382	1	O-ring	KA
7	3J 15610	1	Ball	
8	3J 17378	1	Seal	KA
9	REF	1	Housing	NSS
10	3J 17379	1	Seal. Dust	KA
11	3J 17373	2	Spacer, Spring	
12	3J 17374	4	Spring. Centering	
13	3J 17375	1	Retainer, Spring	
14	3J 17372	1	Pin	
15	REF	1	Sleeve	NSS
16	REF	1	Spool	NSS
17	3J 17368	1	Plate, Spacer	
18	3J 17369	1	Drive	
19	3J 17366	1	O ring	KA
20	3J 17367	1	Gerotor	
21	3J 17366	1	O ring	KA
22	3J 13566	1	Cap. End	
23	3J 17365	7	Capscrew	
	3J 17381	1	Valve Check - Not Shown	
	3J 15637	1	Insert - Not Shown	
	3J 17383	1	Kit. Seal - All Items Marked KA	

Steering Column Assy

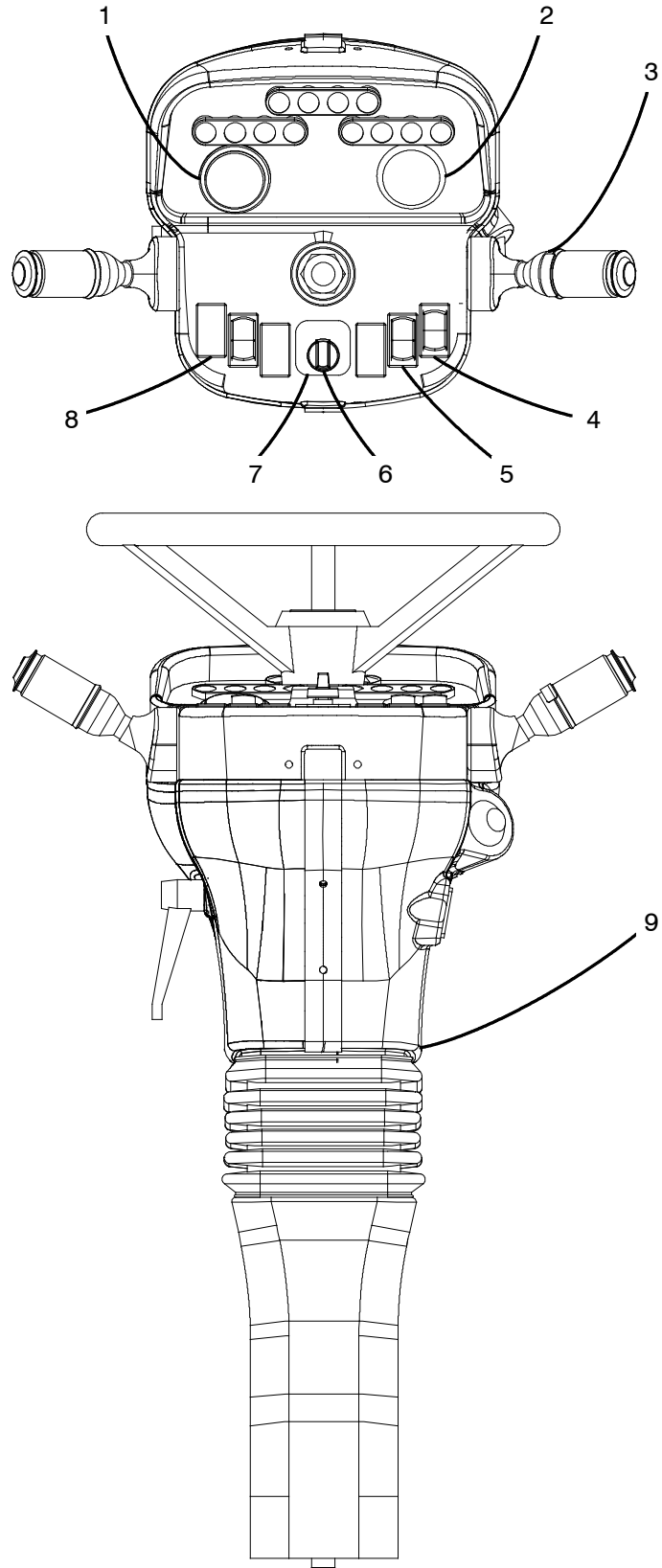


Parts List

0809

Steering Column Assy				
REF	PART NO.	QTY	DESCRIPTION	REMARKS
	D7ND179	1	Steering Column Assy	
1	3N 1259	1	Light, Indicator	
2	3N 1279	1	Wheel, Steering	
3	3N 1260	1	Light, Indicator	
4	3N 1280	1	Cover, Hub	
5	3N 1262	1	Lever, Transmission	
6	3N 1268	1	Plug	
7	3N 1272	1	Console	
8	3N 1277	1	Plate, Cover	
9	3N 1274	1	Housing, Upper Pedestal – RH	
10	3N 1271	1	Boot	
11	3N 1276	1	Housing, Lower Pedestal – RH	
12	3N 1278	1	Harness, Wire	
13	3N 1275	1	Housing, Lower Pedestal – LH	
14	3N 1273	1	Housing, Upper Pedestal – LH	
15	3N 1477	1	Lever, Tilt/Telescope	
16	3N 1261	1	Lever, Turn Signal	
17	3N 1263	1	Switch, Travel/Park Brake	
	3N 1264	1	Rocker	
18	3N 1258	1	Light, Indicator	
	3N 1269	1	Switch, Hazard – Not Shown	
	3N 1452	1	Board, Circuit – Not Shown	
	3N 1270	1	Shall, Main – Not Shown	

Steering Column S/A

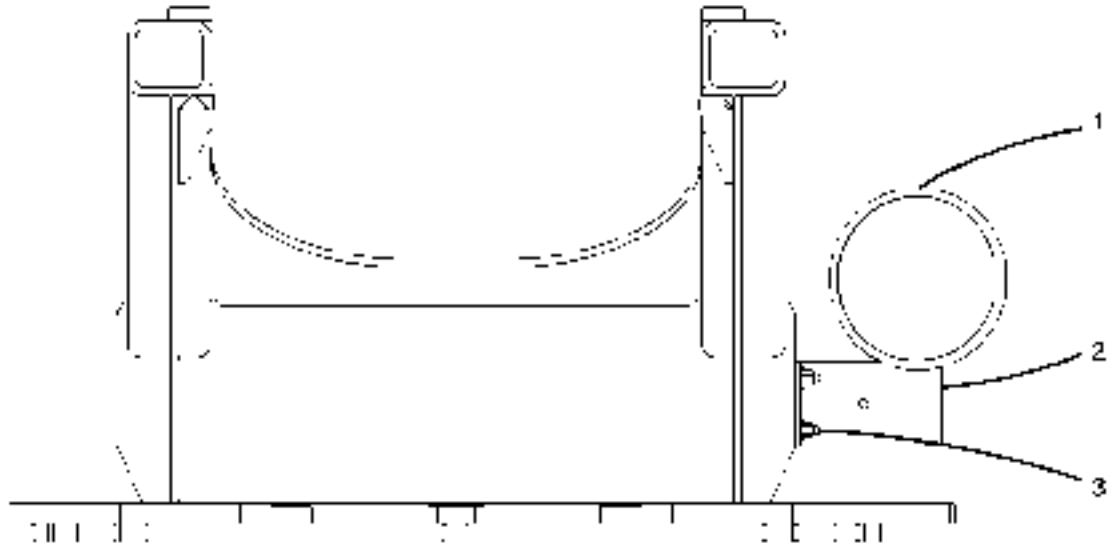


Parts List

0714

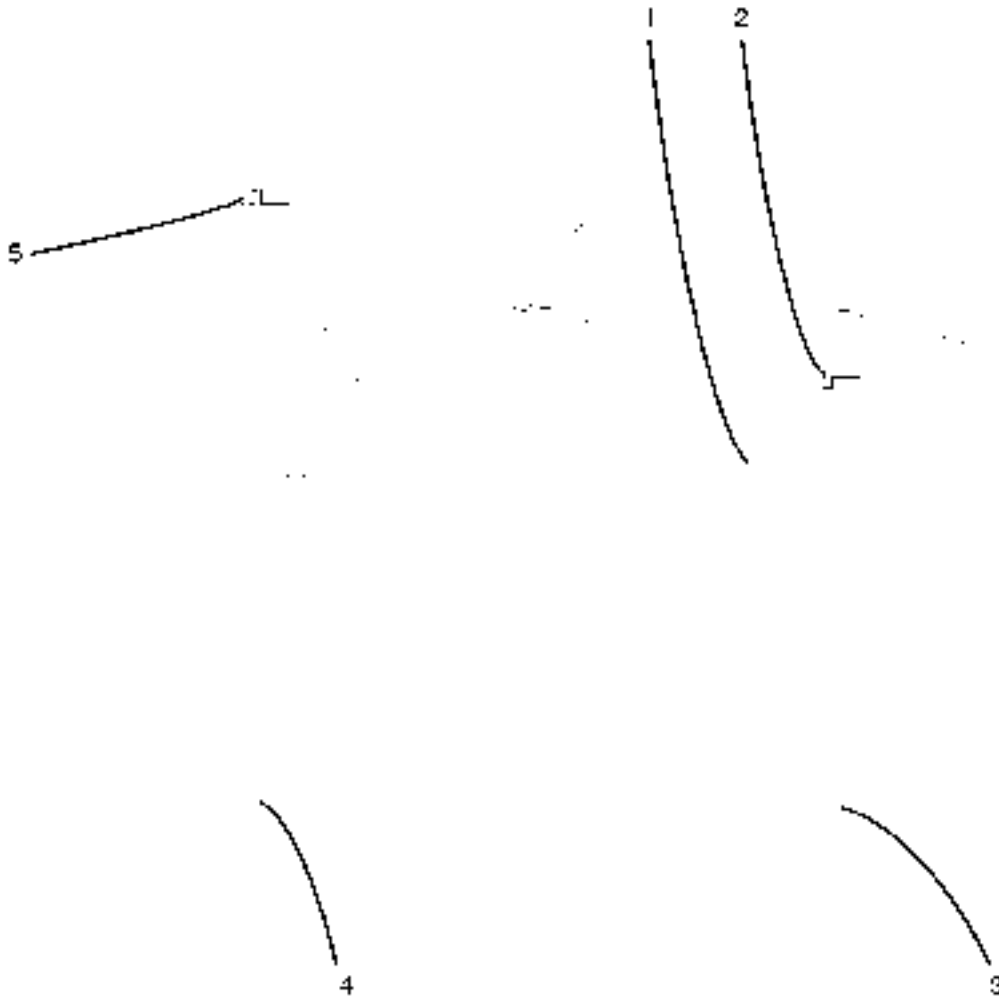
Steering Column S/A				
REF	PART NO.	QTY	DESCRIPTION	REMARKS
1	D7N0179	1	Steering Column S/A	NSS
	E8R0015	1	Gauge, Transmission Oil Temperature	
	E8R0019	1	Light	
	D3R0035	1	Connector	
	37R0064	4	Terminal, Receptacle	
2	D3N0184	1	Plug, Gauge	
3	J9P0039	1	Label, Transmission Shift	
4	J9R0002	1	Switch, Rocker	
5	J6R0057	1	Switch	
6	N4R0004	1	Switch	
7	N4N0037	1	Panel	
8	J6R0059	2	Cover, Switch	
9	D7N0179	1	Steering Column Assy - See 07- 022- 063.00	

Mirror Installation



REF	PART NO.	QTY	DESCRIPTION	REMARKS
1	53A0455	1	Mirror	
2	E1R0009	1	Plate	
3	126003004	2	Washer	
	127004003	2	Locknut	

Cab Mounting

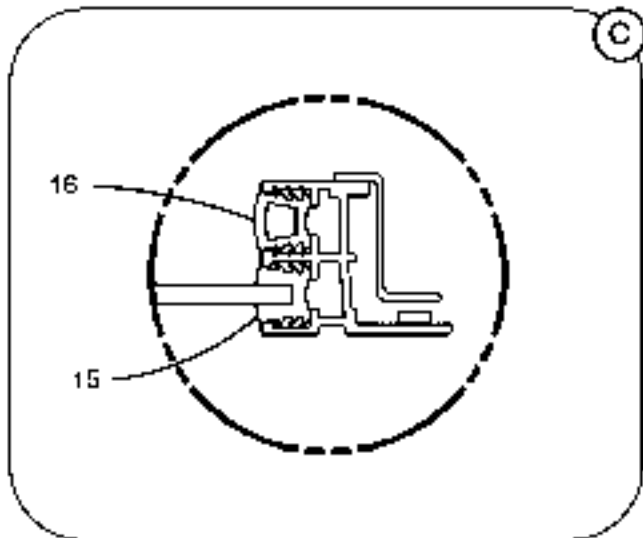
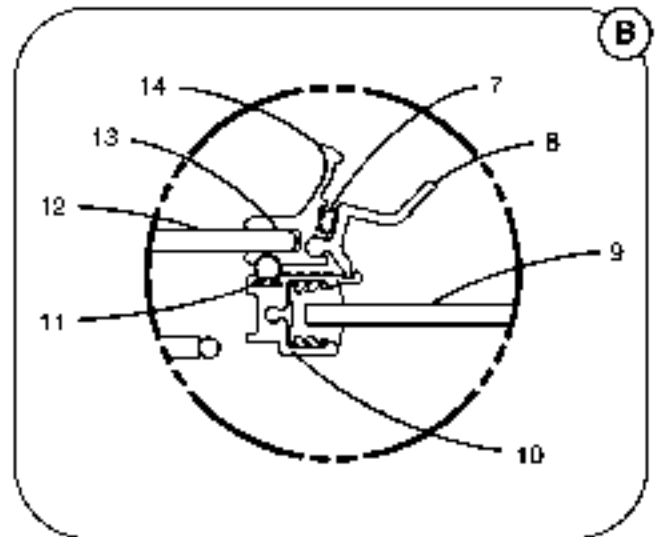
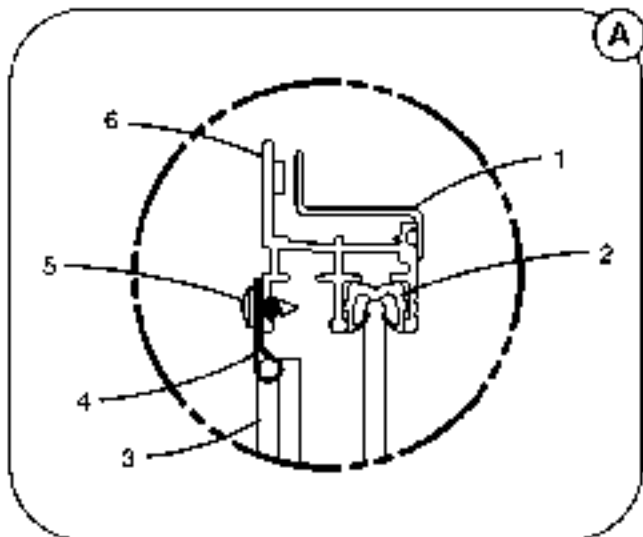
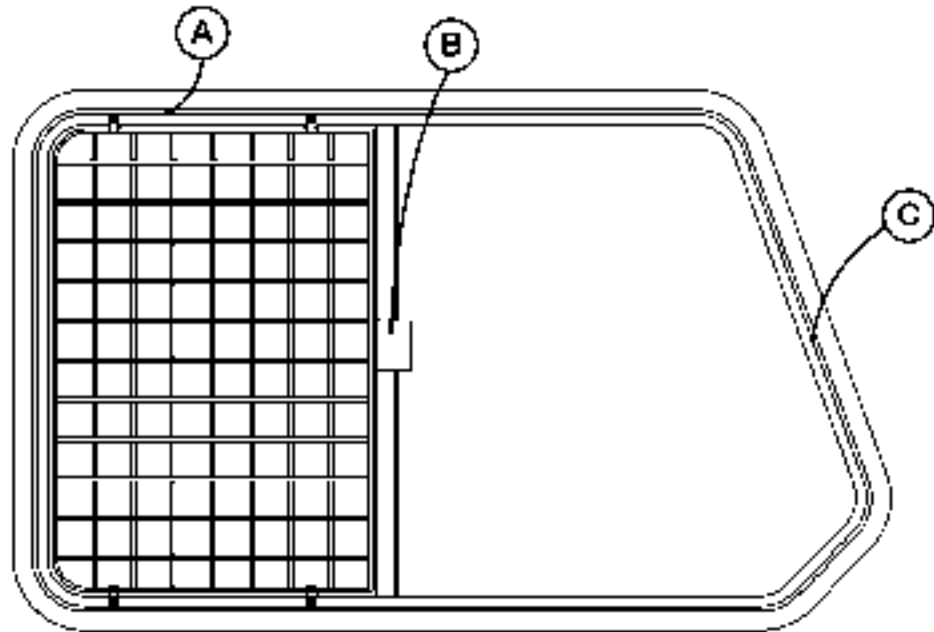


Parts List

0606

Cab Mounting				
REF	PART NO.	QTY	DESCRIPTION	REMARKS
1	128003007	4	Washer	
	127004005	2	Locknut	
2	126009042	2	Capscrew	
	128003008	2	Washer	
3	J6B0071	1	Mount. Rear Cab	
4	J6B0070	1	Mount. Front Cab	
5	F7B0044	1	Bar	
	126009044	2	Capscrew	
	128003008	2	Washer	

Right Side Sliding Window Assy

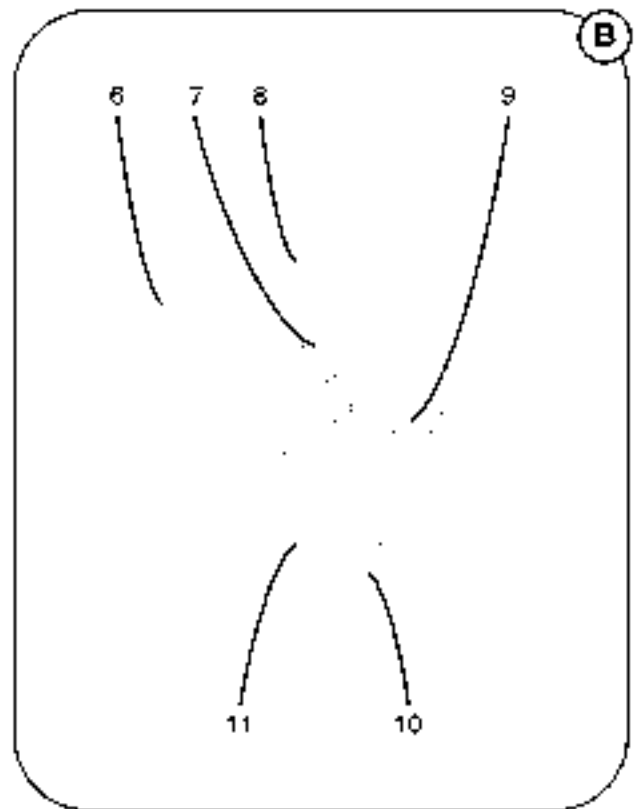
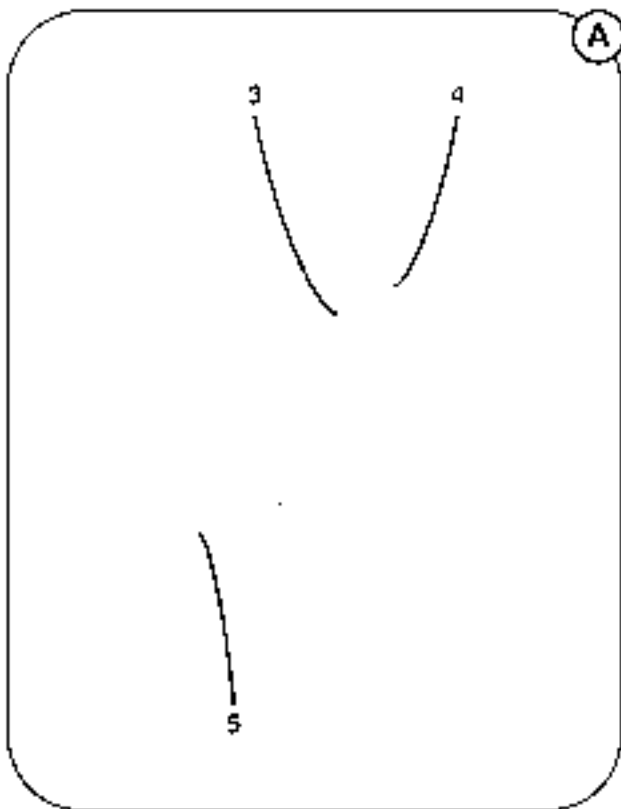
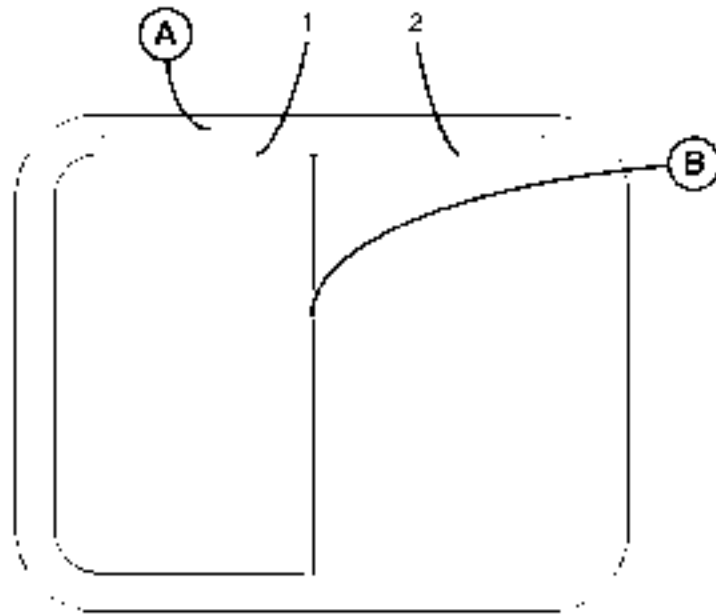


Parts List

0712

Right Side Sliding Window Assy				
REF	PART NO.	QTY	DESCRIPTION	REMARKS
	N4ND129	1	Right Side Sliding Window Assy	
1	3N 1711	1	Trim	
2	3N 1698	1	Channel, Felt	
3	3N 1708	1	Guard	
4	3N 1709	4	Clamp	
5	3N 1710	4	Screw	
6	3N 1696	1	Frame	
7	3N 1705	1	Spring	
8	3N 1703	1	Leaf, Latch	
9	3N 1700	1	Glass, Stationary	
10	3N 1706	1	Rail	
11	3N 1697	1	Weatherseal	
12	3N 1699	1	Glass, Sliding	
13	3N 1704	1	Tape, Double Sided	
14	3N 1702	1	Rail, Latch	
15	3N 1701	1	Channel	
16	3N 1707	1	Rubber, Fill	

Rear Sliding Window Assy

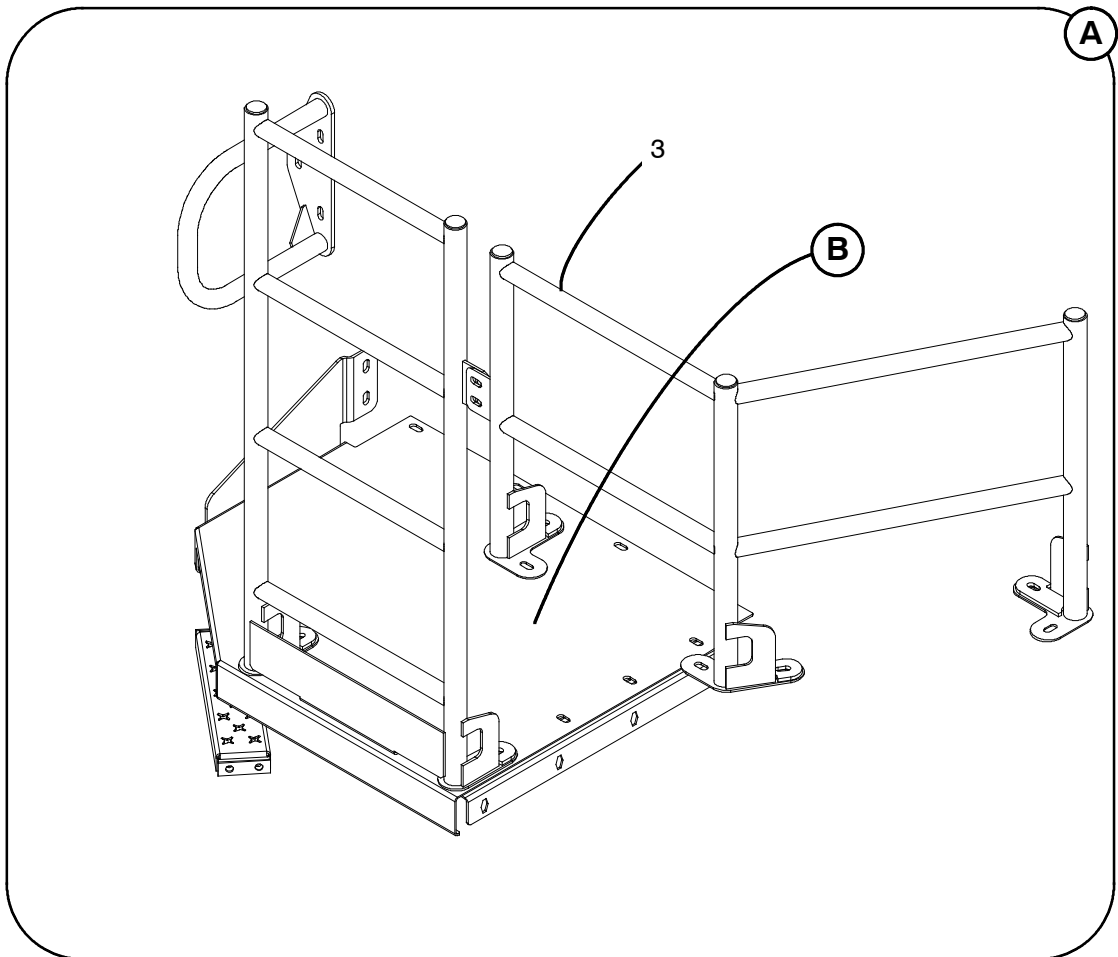
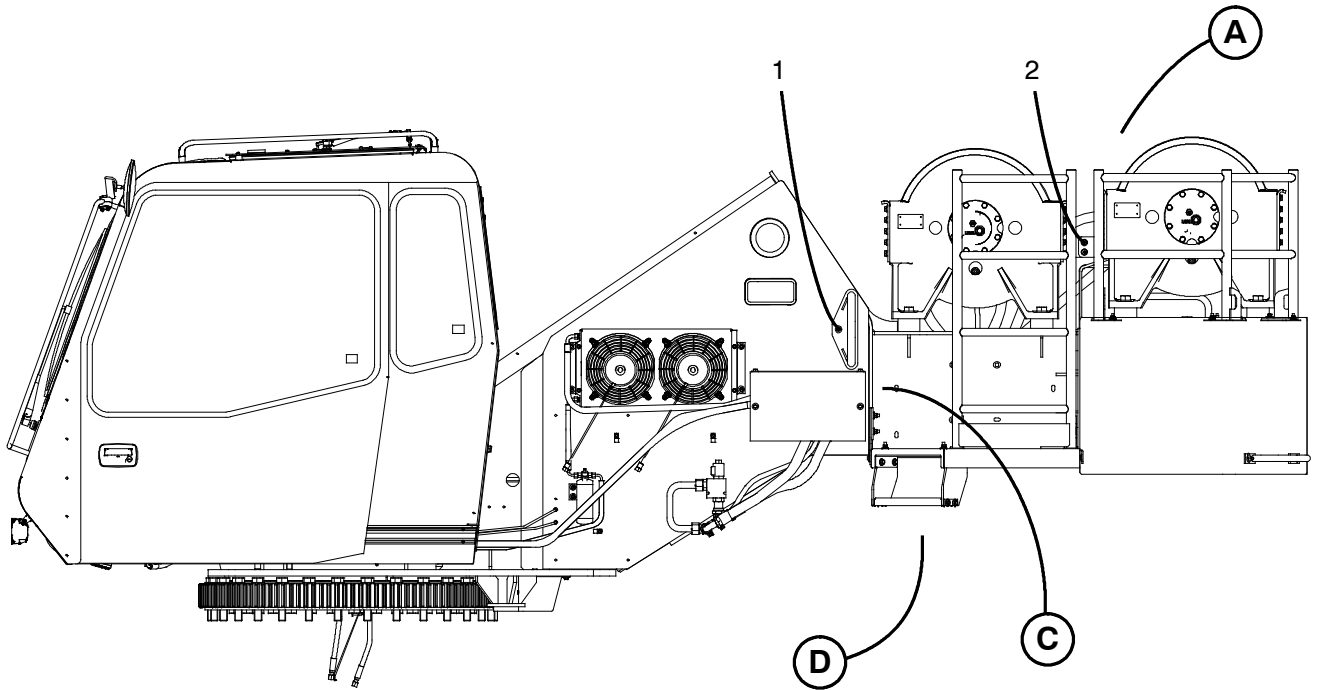


Parts List

0812

Rear Sliding Window Assy				
REF	PART NO.	QTY	DESCRIPTION	REMARKS
	S1N0119	1	Rear Sliding Window Assy	
1	3N 1718	1	Glass, Stationary	KB
2	3N 1716	1	Glass, Sliding	KC
3	3N 1719	1	Trim	
4	3N 1696	1	Frame	
5	3N 1698	1	Channel, Felt	KA
6	REF	1	Rail, Latch	NSS, KC
7	3N 1705	1	Spring	KC
8	REF	1	Leaf, Latch	NSS, KC
9	3N 1697	1	Weatherseal	KA, KB
10	3N 1713	1	Rail, Vertical	KB, KD
11	3N 1701	1	Channel	KA
	3N 1714	1	Bar, Connecting - Not Shown	
	3N 1715	4	Screw - 0.25" Long - Not Shown	
	3N 1717	2	Screw - 1" Long - Not Shown	KB, KD
	3N 1707	1	Plug, Rubber - Not Shown	KA
	3N 1720	1	Kit, Soft Parts - All Items Marked KA	
	3N 1721	1	Kit, Front Glass - All Items Marked KB	
	3N 1722	1	Kit, Rear Glass - All Items Marked KC	
	3N 1723	1	Kit, Vertical Rail - All Items Marked KD	

Upper Platform & Rails

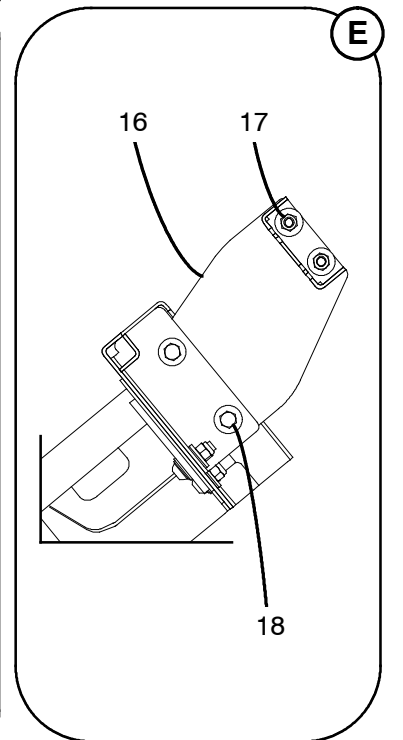
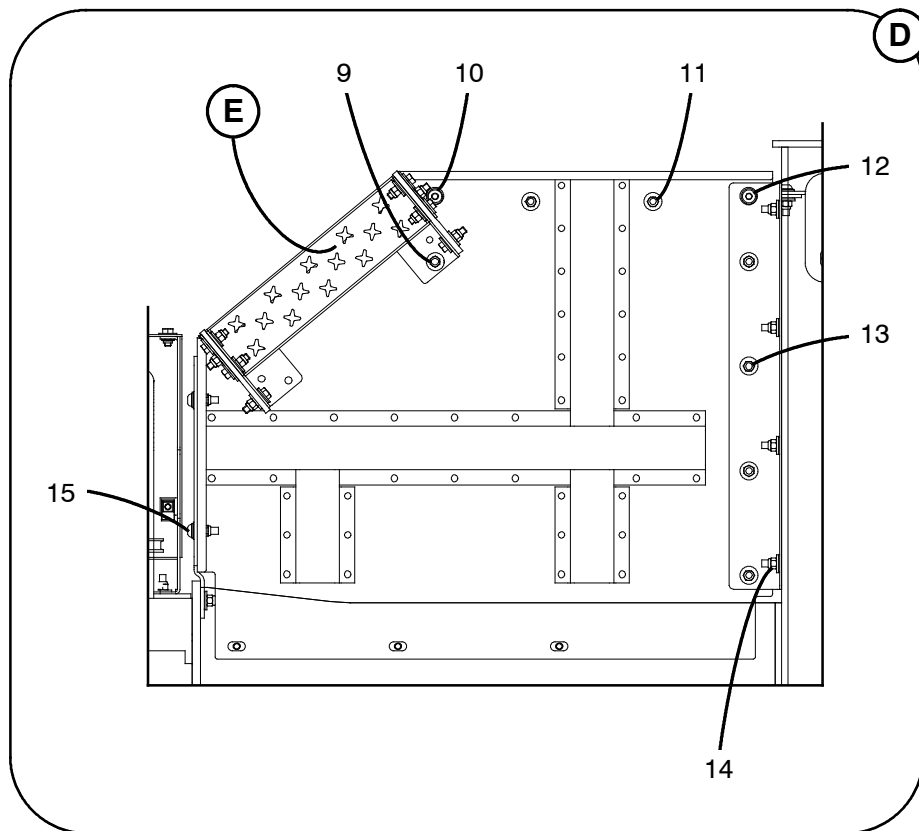
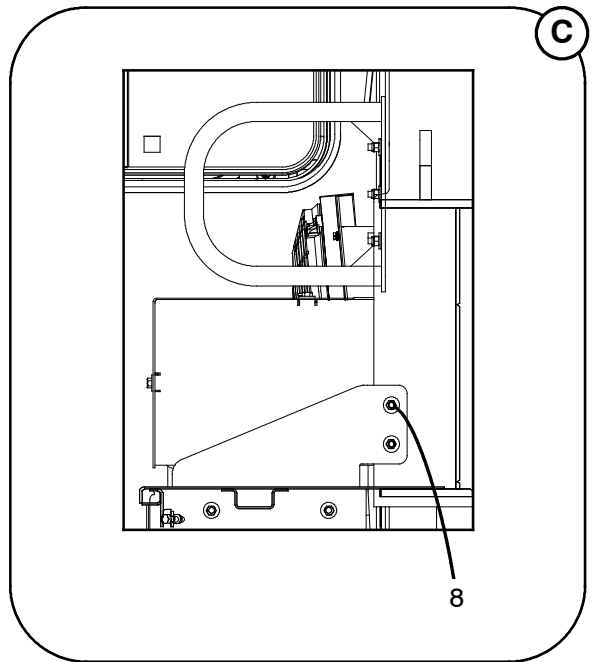
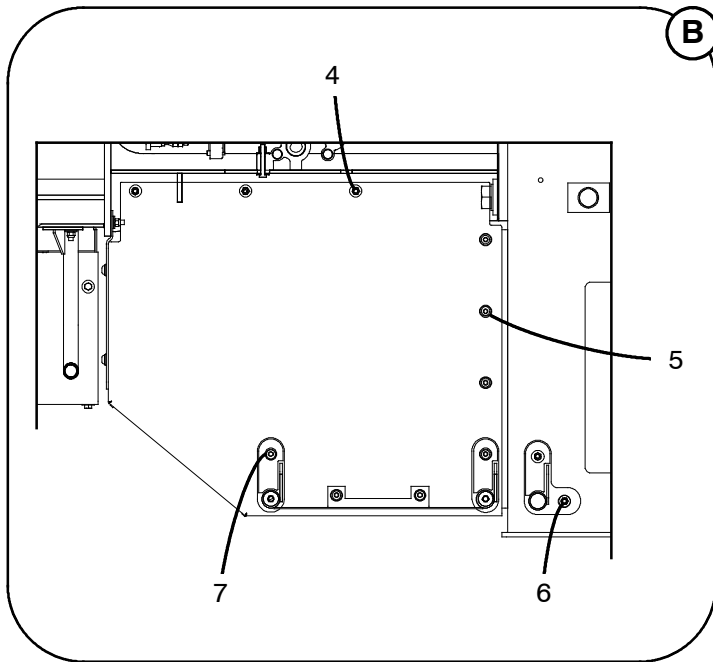


Parts List

0814

Upper Platform & Rails				
REF	PART NO.	QTY	DESCRIPTION	REMARKS
1	128003004	3	Washer	
	46L0026	3	Washer, Nylon	
	127004003	3	Locknut	
2	F6A0076	2	Screw	
	C5A1044	2	Washer, Stainless Steel	
	46L0026	4	Washer, Nylon	
	128003004	2	Washer, Zinc	
	127004003	2	Locknut	
3	J6B0124	1	Platform & Rails Kit - See 14- 005- 114.00	

Upper Platform & Rails

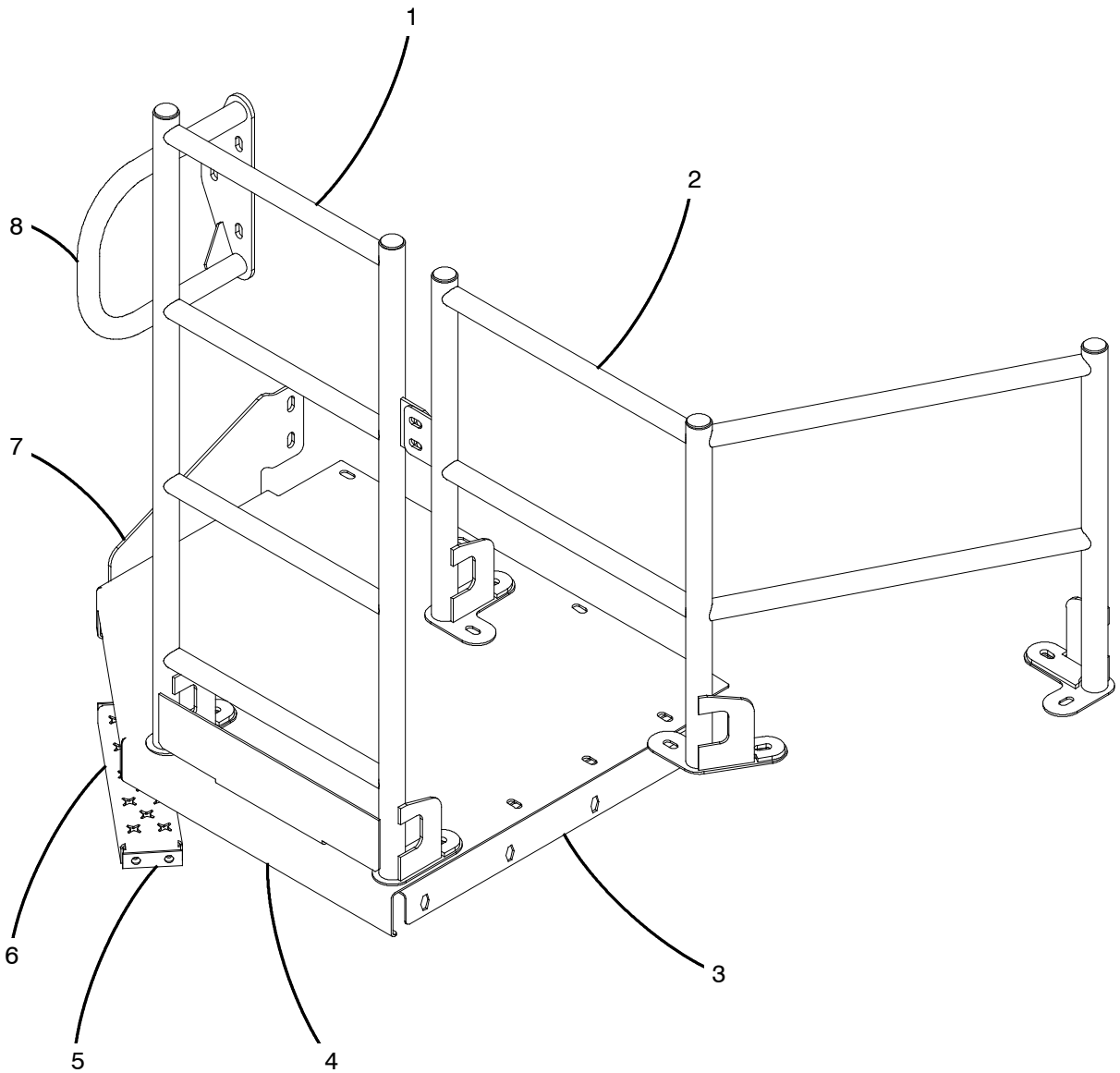


Parts List

0814

Upper Platform & Rails				
REF	PART NO.	QTY	DESCRIPTION	REMARKS
4	128003004	3	Washer	
	46L0026	3	Washer, Nylon	
	127004003	3	Locknut	
5	F6A0076	3	Screw	
	C5A1044	3	Washer	
	46L0026	3	Washer, Nylon	
6	128003004	6	Washer	
	46L0026	6	Washer, Nylon	
	127004003	6	Locknut	
7	F6A0076	4	Screw	
	C5A1044	4	Washer	
	46L0026	4	Washer, Nylon	
8	128003004	2	Washer	
	46L0026	2	Washer, Nylon	
	127004003	2	Locknut	
9	128003004	1	Washer	
	46L0026	1	Washer, Nylon	
	127004003	1	Locknut	
10	F6A0076	1	Screw	
	C5A1044	1	Washer	
	46L0026	1	Washer, Nylon	
11	128003004	2	Washer	
	46L0026	2	Washer, Nylon	
	127004003	2	Locknut	
12	F6A0076	1	Screw	
	C5A1044	1	Washer	
	46L0026	1	Washer, Nylon	
13	128003004	4	Washer	
	46L0026	4	Washer, Nylon	
	127004003	4	Locknut	
14	128003004	4	Washer	
	46L0026	4	Washer, Nylon	
	127004003	4	Locknut	
15	F6A0076	2	Screw	
	C5A1044	2	Washer, Stainless Steel	
	46L0026	4	Washer, Nylon	
	128003004	2	Washer, Zinc	
	127004003	2	Locknut	
16	J6B0128	2	Step	
17	126009015	4	Capscrew	
	46L0026	4	Washer, Nylon	
	128003004	8	Washer, Zinc	
	127004003	4	Locknut	
18	126009015	4	Capscrew	
	46L0026	4	Washer, Nylon	
	128003004	8	Washer, Zinc	
	127004003	4	Locknut	

Platform & Rails Kit

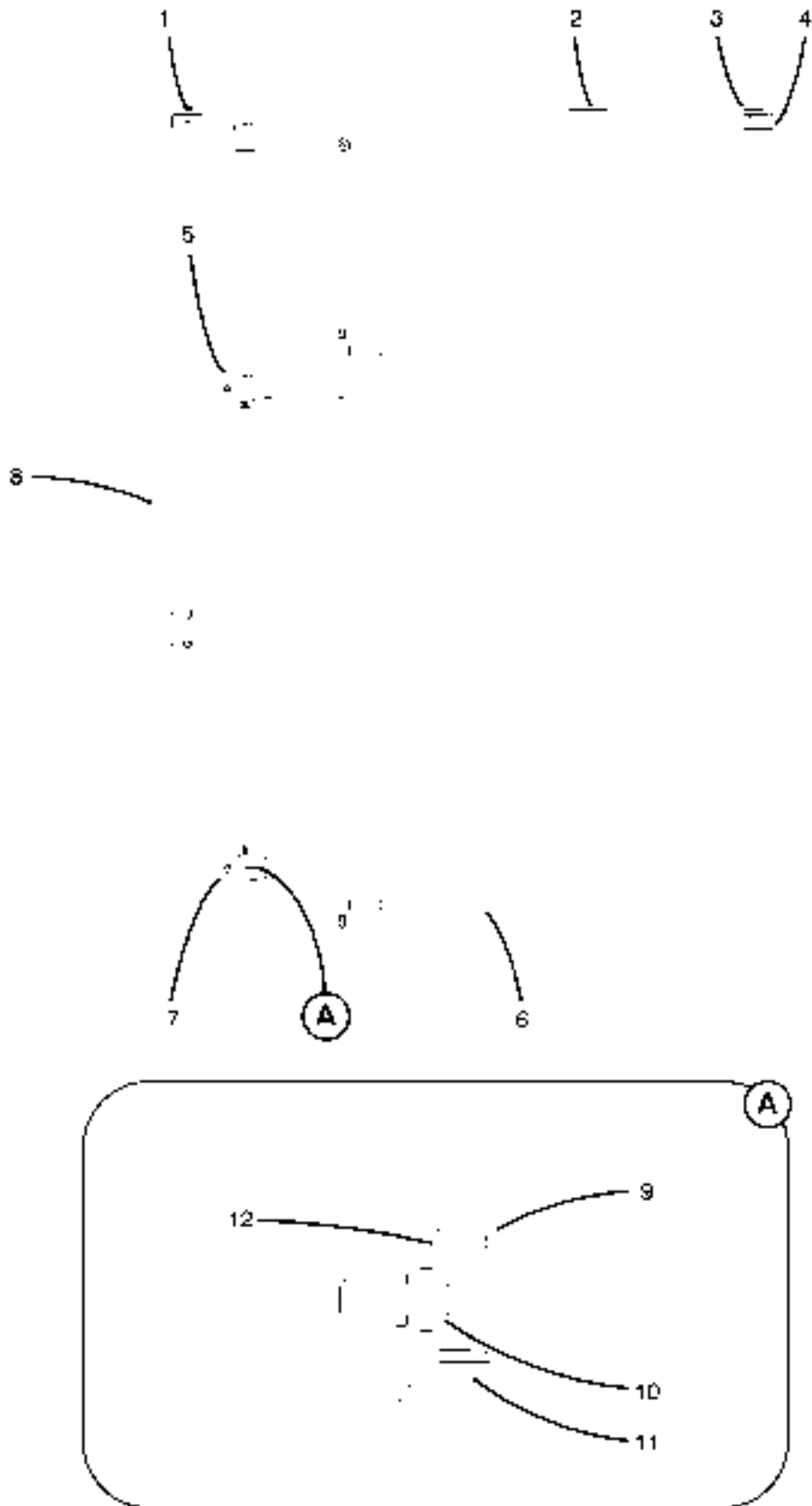


Parts List

0714

Platform & Rails Kit				
REF	PART NO.	QTY	DESCRIPTION	REMARKS
	J6B0124	1	Platform & Rails Kit	
1	J6B0108	1	Rail	
2	J6B0109	1	Rail	
3	J6B0083	1	Bracket	
4	J6B0125	1	Platform	
5	J6B0101	2	Sheet	
6	J6B0088	1	Step	
7	J6B0106	1	Bracket	
8	J6B0092	1	Guard, Cab	

Top Hatch Window Assy

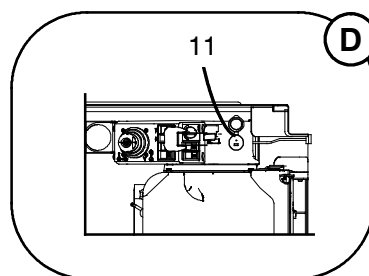
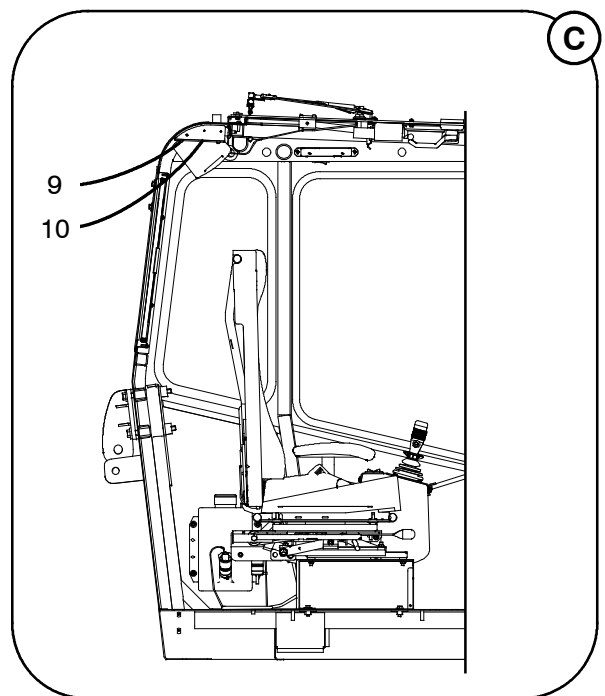
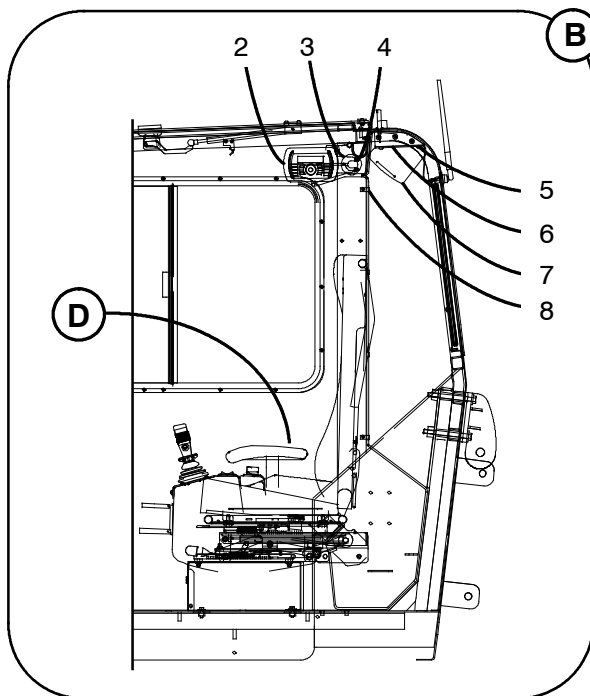
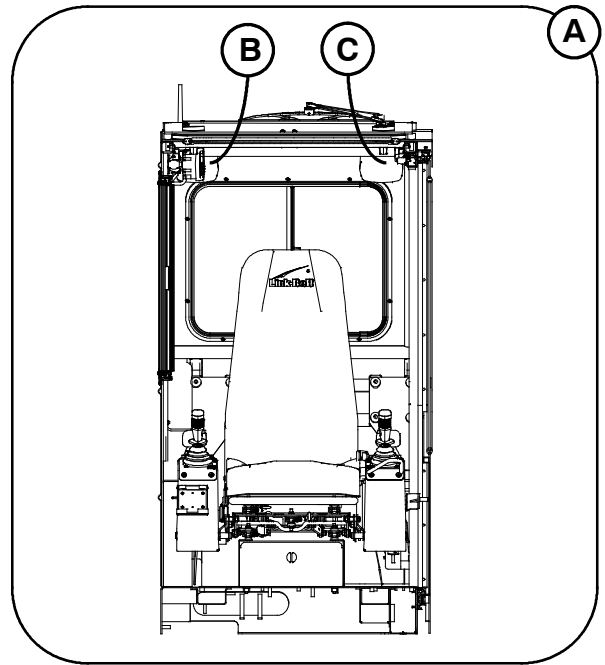
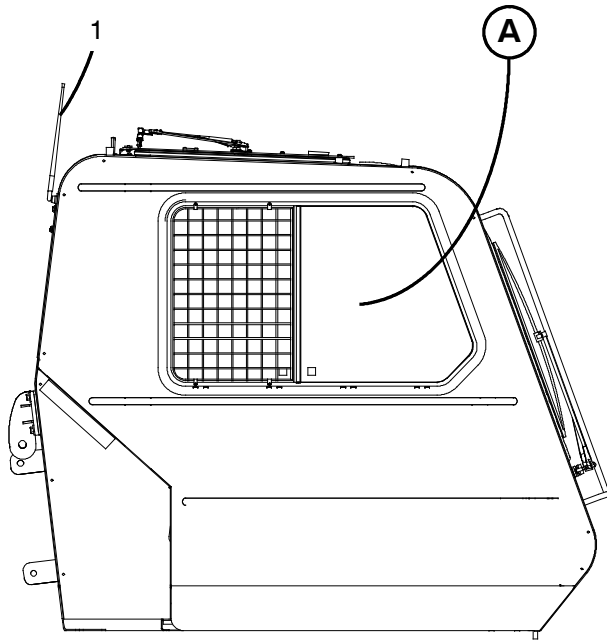


Parts List

0114

Top Hatch Window Assy				
REF	PART NO.	QTY	DESCRIPTION	REMARKS
1	S3N0076	1	Latch	
	1X 6712	2	Screw	
	68N0039	2	Grommet	
	1X 1776	2	Washer	
	1X 4638	2	Locknut	
2	S3N0081	2	Plate, Mounting	
	S3N0082	2	Mount, Strut	
	1X 7907	4	Screw, Machine	
	68N0039	4	Grommet	
3	S3N0080	1	Hinge	
	126018003	4	Screw, Machine	
	68N0039	4	Grommet	
	1X 5084	4	Locknut	
4	S3N0079	1	Hinge	
5	S3N0076	1	Latch Handle Assy	
6	S3N0104	2	Spring	
7	S3N0076	1	Latch Handle Assy	
8	S3N0075	1	Window	
9	S3N0077	2	Plate, Mounting	
10	S3N0084	2	Washer	
11	S3N0083	2	Seal, Rubber	
12	1X 7905	8	Screw, Machine	

Radio Installation

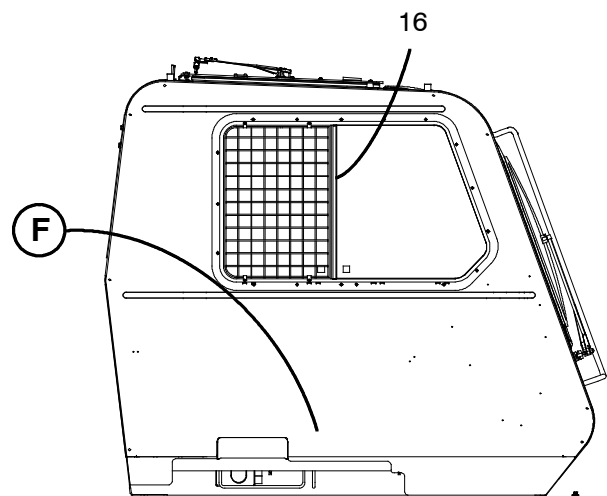
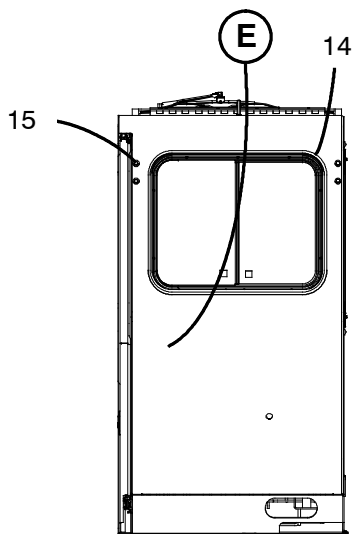
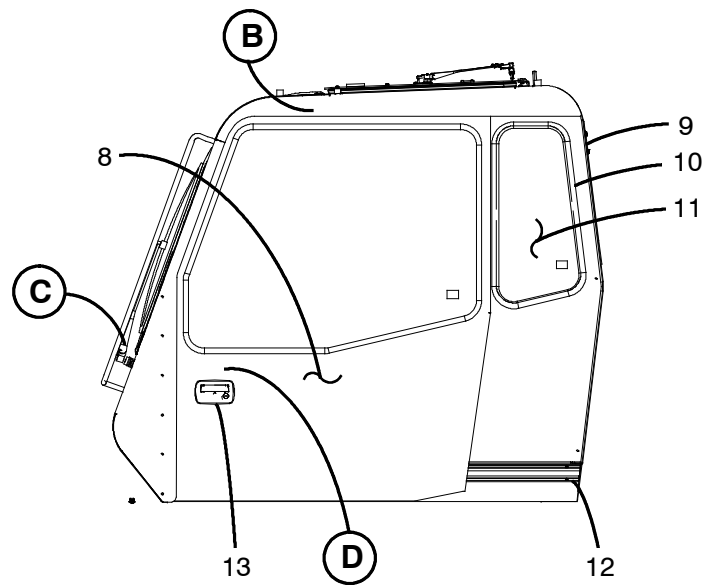
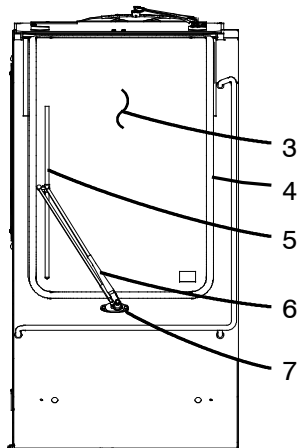
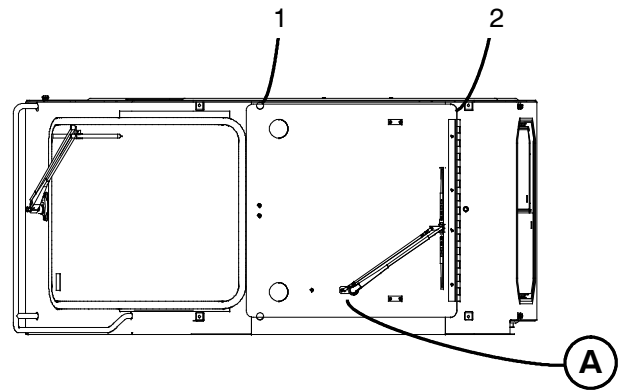


Parts List

0614

Radio Installation				
REF	PART NO.	QTY	DESCRIPTION	REMARKS
1	T2N0041	1	Antenna, Rubber Mast	
2	T2N0039	1	Radio Assy	
3	R8R0029	1	Arm, Mounting	
4	1X 7905	4	Screw, Machine	
5	T2N0048	1	Bracket, Cover - RH	
	1X 7905	2	Screw, Machine	
	1X 1776	2	Washer	
6	T2N0042	1	Bracket, Mounting - RH	
	1X 7905	3	Screw, Machine	
	1X 1776	3	Washer	
7	T2N0040	1	Speakers, 5" Pair	
	155290003	4	Contact, Male	
8	1X 2817	4	Clamp	
	1X 7905	4	Screw, Machine	
9	T2N0049	1	Bracket, Cover - LH	
	1X 7905	2	Screw, Machine	
	1X 1776	2	Washer	
10	T2N0043	1	Bracket, Mounting - LH	
	1X 7905	3	Screw, Machine	
	1X 1776	3	Washer	
11	T2N0052	1	Interface, USB & Auxiliary Input	

Upper Cab, Door, Windows, & Vinyl Assy

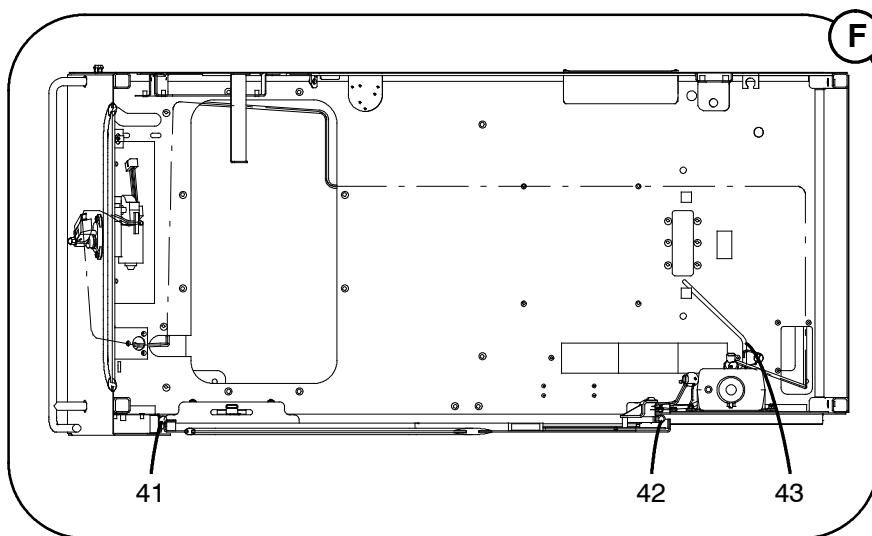
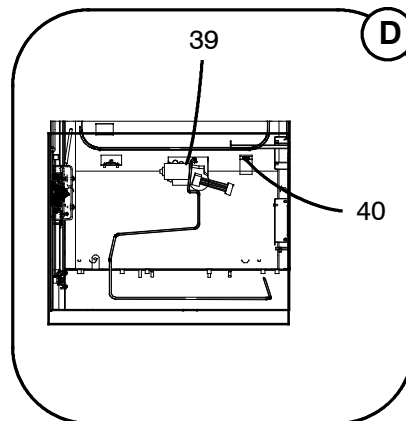
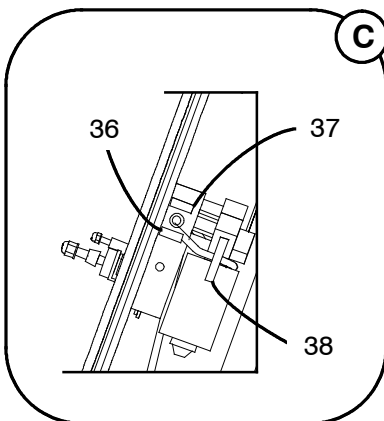
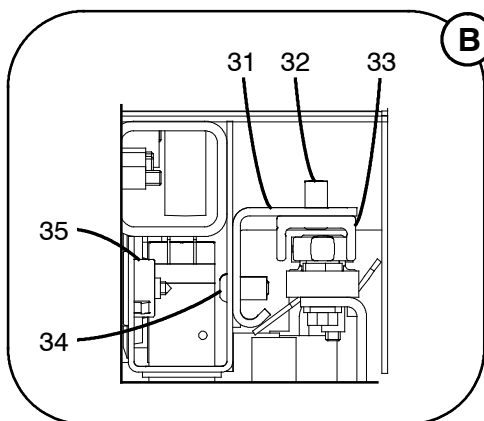
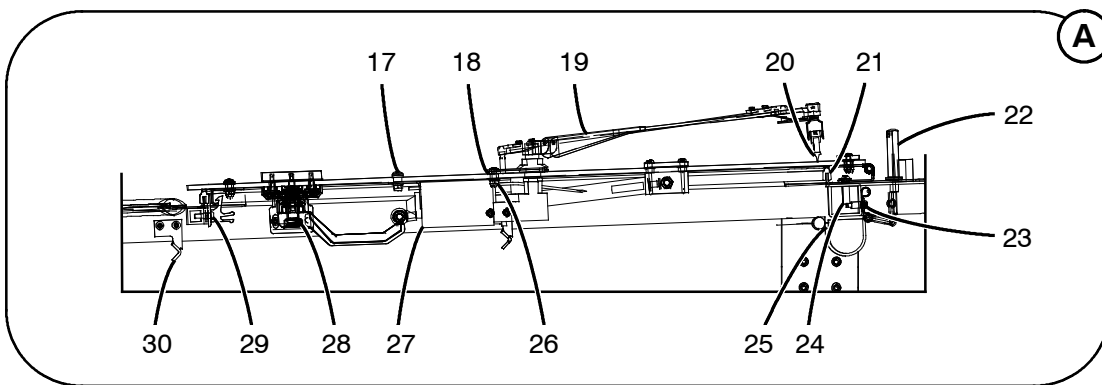


Parts List

0814

Upper Cab, Door, Windows, & Vinyl Assy				
REF	PART NO.	QTY	DESCRIPTION	REMARKS
	S4N0010	1	Upper Cab, Door, Windows, & Vinyl Assy	
1	N3N0205	2	Bumper, Rubber	
2	S3N0074	1	Top Hatch Window Assy - See 14- 006- 039.00	
3	J8N0152	1	Windshield	
4	824015008	1	Weatherstrip	
5	D3N0028	1	Blade, Wiper	
6	N3N0201	1	Arm, Wiper	
7	N3N0206	1	Adaptor	
	1X 7226	2	Capscrew	
8	S3N0146	1	Door Assy - See 14- 006- 126.00	
9	S4N0011	1	Shell, Cab	
10	824015008	1	Weatherstrip	
11	N4N0134	1	Window	
12	S2N0377	1	Track, Door	
	1X 7905	8	Screw	
13	R8N0147	1	Handle, Door	
	3N 1491	1	Key	
	3N 1474	1	Collar	
	1X 4438	1	Washer	
	1X 5064	1	Locknut	
14	S1N0119	1	Rear Sliding Window Assy - See 14- 001 - 936.00	
	1X 8599	11	Screw	
15	126009094	4	Capscrew	
	128003002	4	Washer	
16	N4N0129	1	Right Sliding Window Assy - See 14- 001 - 935.00	
	1X 8599	18	Screw	

Upper Cab, Door, Windows, & Vinyl Assy

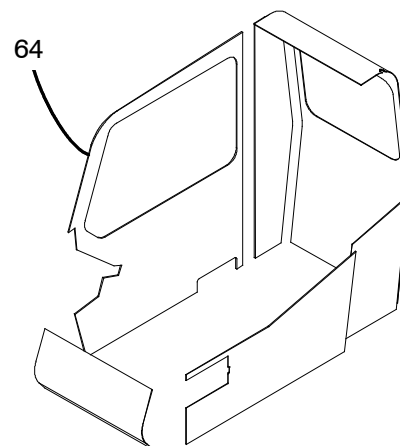
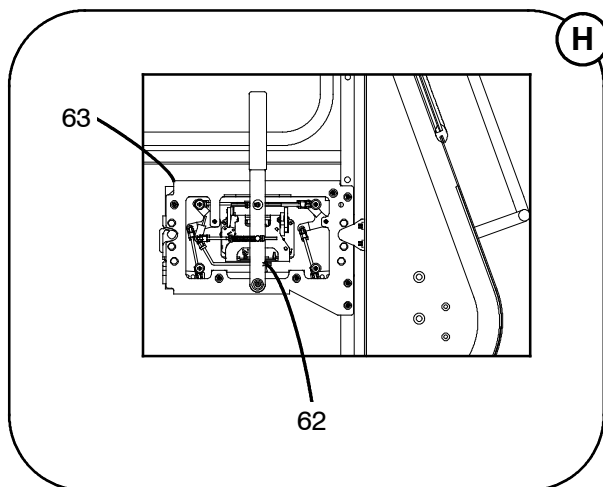
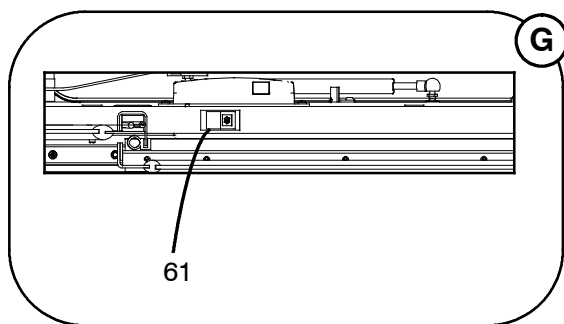
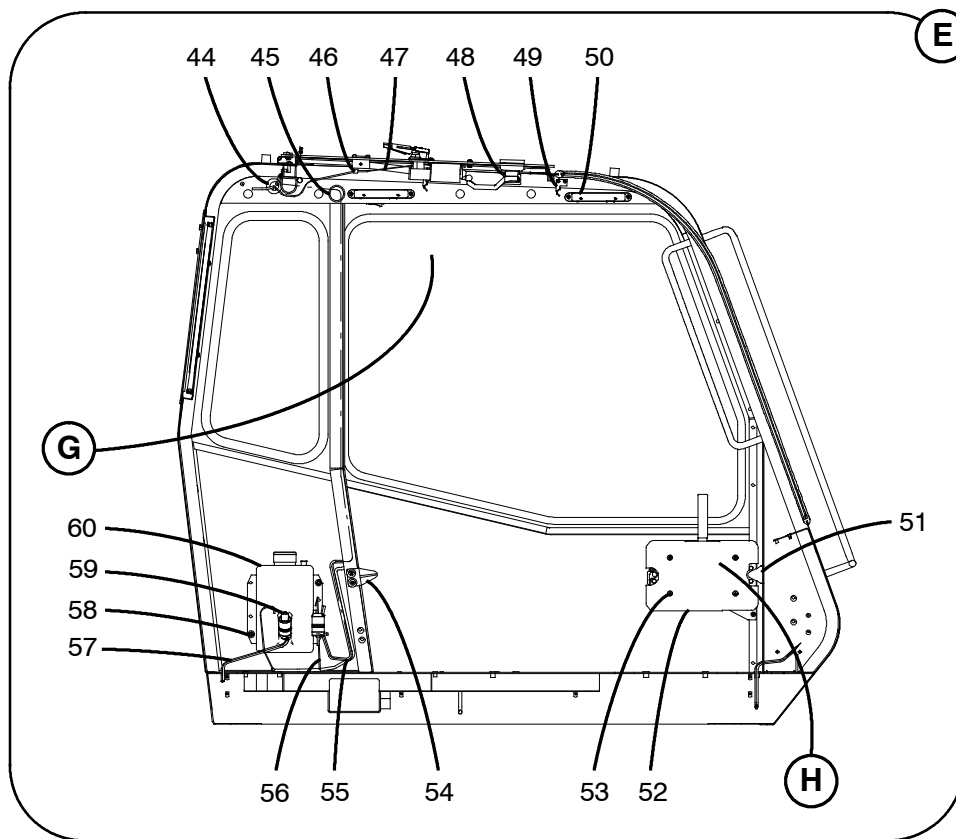


Parts List

0814

Upper Cab, Door, Windows, & Vinyl Assy				
REF	PART NO.	QTY	DESCRIPTION	REMARKS
17	1X 6712	2	Screw	
	68N0039	2	Grommet	
	1X 1776	2	Washer	
	1X 6049	2	Lockwasher	
	1X 4638	2	Locknut	
18	S3N0132	1	Seal, Wiper	
19	S2N0292	1	Arm, Wiper	
20	J8N0250	1	Blade, Wiper	
21	824058001	1	Weatherstrip	
22	S2N0286	1	Nozzle	
23	1X 2817	5	Clamp	
	1X 7905	3	Screw	
24	1X 7906	6	Screw, Machine	
	1X 1776	6	Washer	
25	N3N0138	1	Blind, Sunscreen	
26	1X 6712	1	Screw	
	68N0039	1	Grommet	
	1X 1776	1	Washer	
	1X 6049	1	Lockwasher	
27	47N0446	1	Motor, Wiper	
28	S3N0092	1	Catch, Top Hatch	
	1X 7905	2	Screw, Machine	
	J8N0033	1	Spacer	
29	1X 7905	2	Screw, Machine	
	J8N0033	2	Spacer	
30	N3N0136	2	Bracket	
	1X 7905	4	Screw, Machine	
31	R8N0093	1	Sheet	
32	1X 7904	6	Screw, Machine	
33	R8N0092	1	Roller, Track	
34	1X 7904	6	Screw, Machine	
35	R8N0095	5	Cover	
36	824033003	1	Weatherstrip	
37	824033003	1	Weatherstrip	
38	824033003	1	Weatherstrip	
39	D3N0050	1	Motor, Wiper	
40	58A0796	1	Retainer, Nut	
41	824047001	1	Weatherstrip	
42	824009003	1	Weatherstrip	
43	155124001	1	Connector	
	155141001	1	Lock, Secondary	

Upper Cab, Door, Windows, & Vinyl Assy

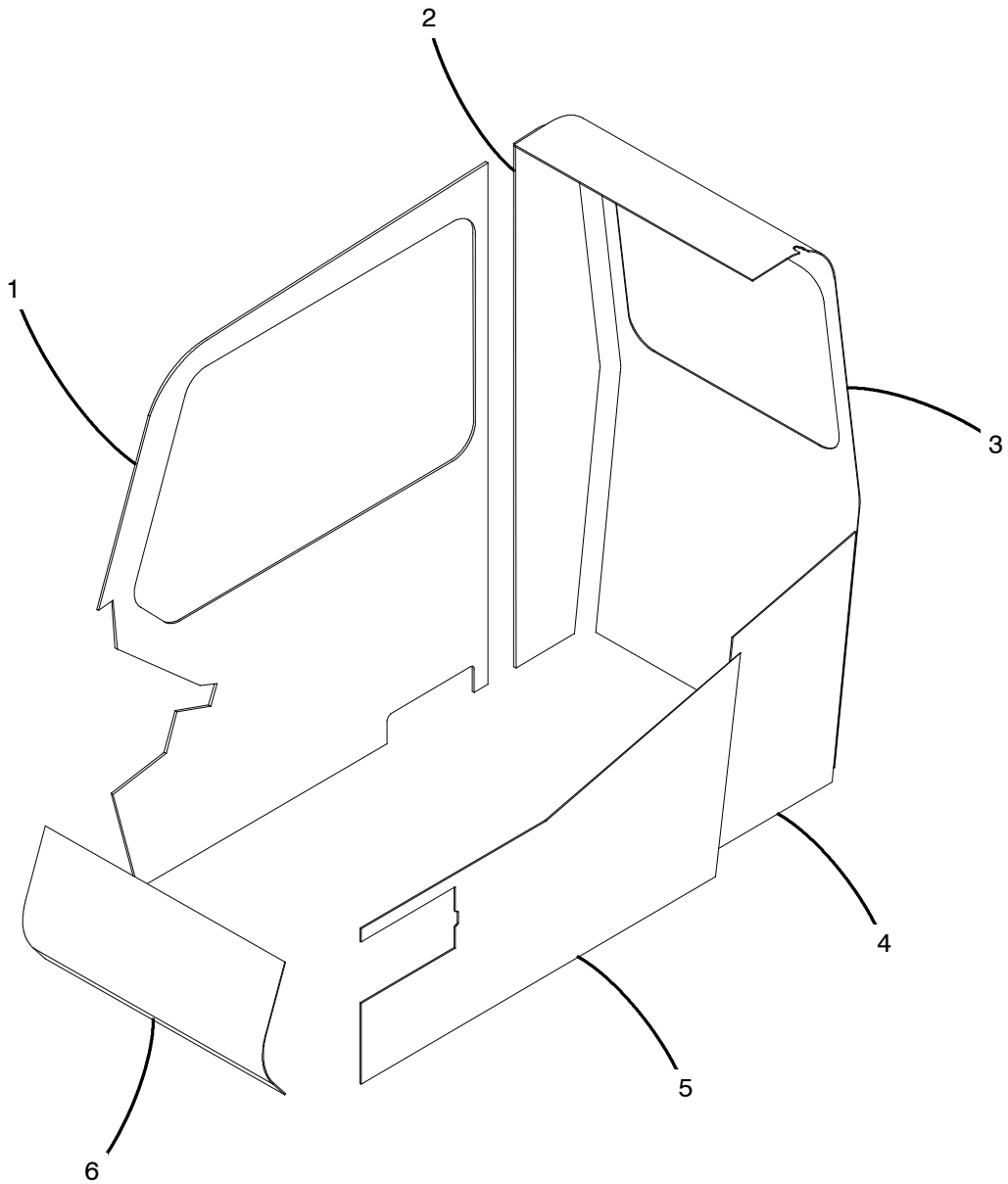


Parts List

0814

Upper Cab, Door, Windows, & Vinyl Assy				
REF	PART NO.	QTY	DESCRIPTION	REMARKS
44	23A0376	1	Grommet, Rubber	
45	65N0075	1	Caplug	
46	1X 2817	1	Clamp	
47	T2R0015	1	Harness, Cab Accessories	
48	S3N0093	1	Catch, Top Hatch	
	J8N0033	1	Spacer	
	1X 7905	2	Screw, Machine	
49	N3N0136	2	Bracket	
	1X 7905	4	Screw, Machine	
50	S3N0011	2	Light, Dome	
	1X 8599	4	Screw	
51	S3N0045	1	Striker	
	126018005	2	Screw, Machine	
	128003004	2	Washer	
52	S3N0055	1	Cover	
	F7L0017	2	Spacer	
	1X 6363	2	Screw	
53	1X 8096	2	Screw	
54	S3N0042	1	Plate, Striker	
	126018005	2	Capscrew	
	128003003	2	Washer	
55	822014002	1	Hose - 8'	
56	155108001	1	Connector	
	155140001	1	Lock, Secondary	
57	822014002	1	Hose - 12'	
58	128003001	3	Washer	
	127004001	3	Locknut	
59	155108001	1	Connector	
	155140001	1	Lock, Secondary	
60	S2N0285	1	Kit, Reservoir	
61	D6R0273	1	Switch	
	S2N0287	1	Lens, Windshield Washer	
62	1X 5064	1	Locknut	
	1X 4438	1	Washer	
63	S3N0141	1	Latch Assy - See 14- 006- 161.00	
	1X 1776	7	Washer	
	1X 7905	7	Screw, Machine	
64	N4N0153	1	Upper Cab Vinyl Kit - See 14- 006- 125.00	

Upper Cab Vinyl Kit

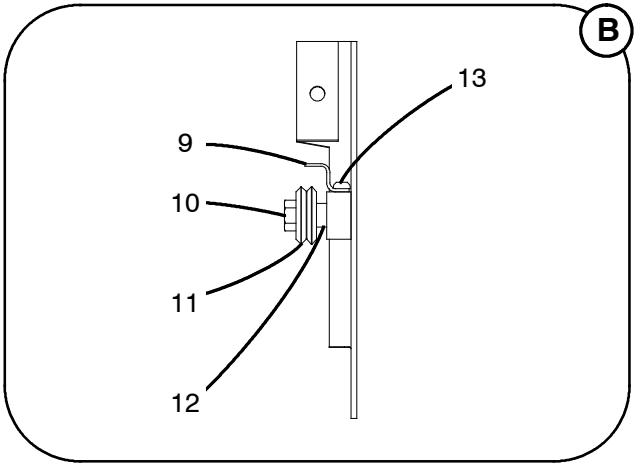
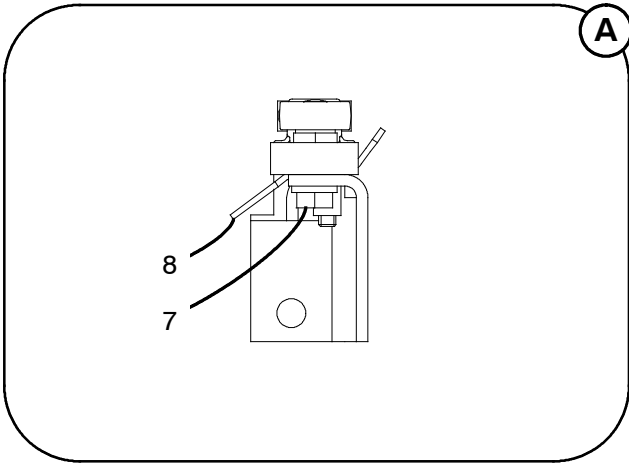
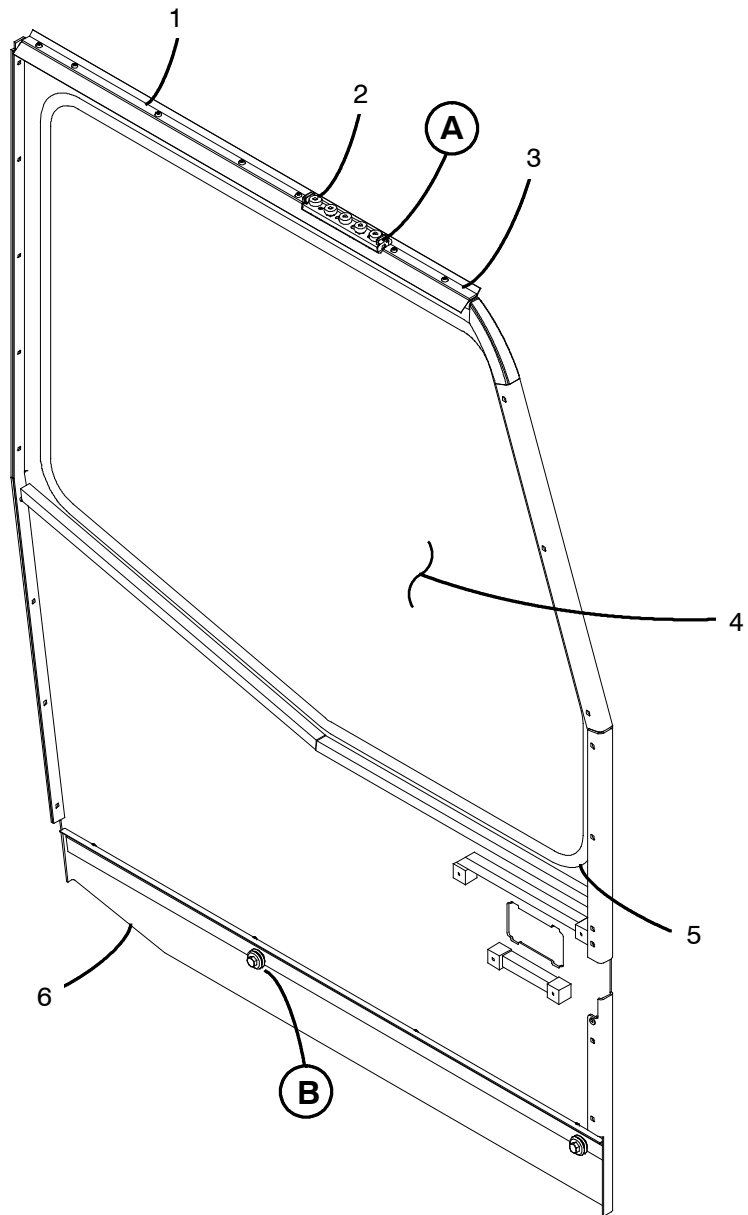


Parts List

0714

Upper Cab Vinyl Kit				
REF	PART NO.	QTY	DESCRIPTION	REMARKS
	N4N0153	1	Upper Cab Vinyl Kit	
1	N4N0114	1	Vinyl, Right Side Front	
2	N3N0185	1	Vinyl, Right Side Rear	
3	N3N0156	1	Vinyl, Back Wall	
4	N3N0159	1	Vinyl, Left Side	
5	S3N0035	1	Vinyl, Door	
6	N3N0155	1	Vinyl, Front Wall	

Door Assy

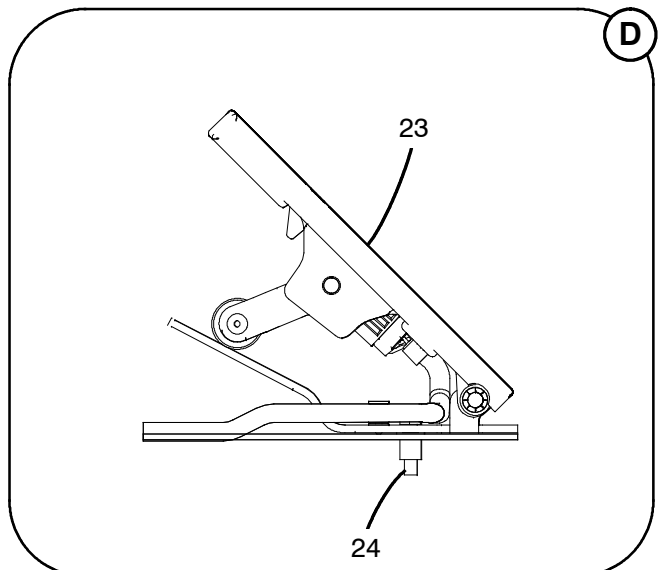
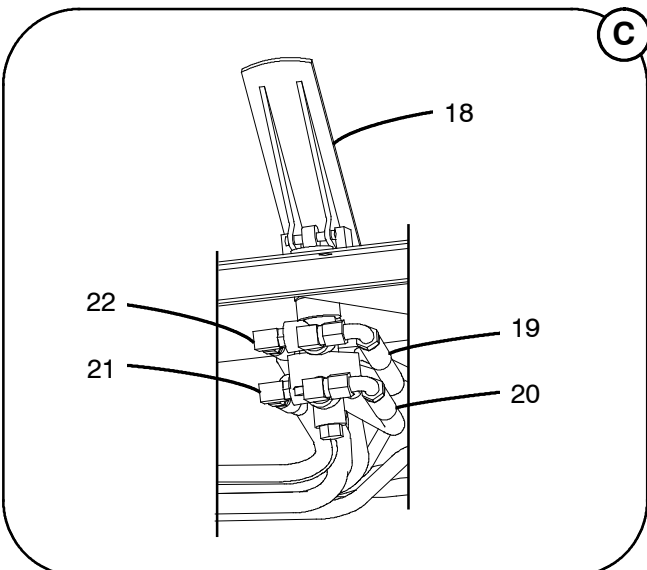
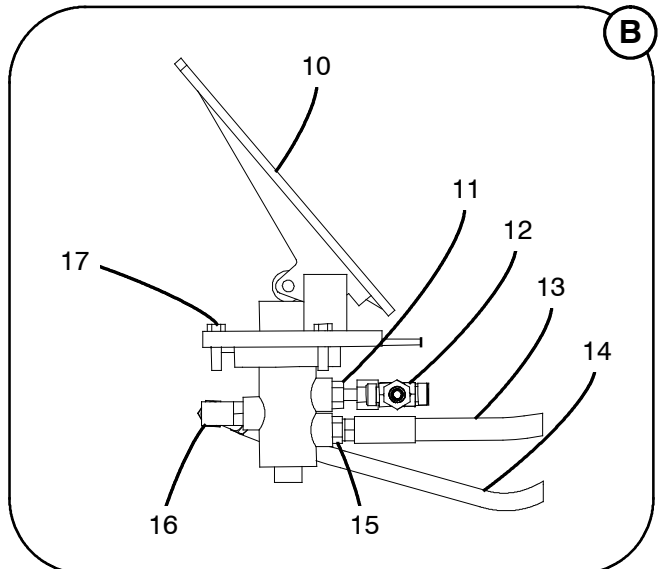
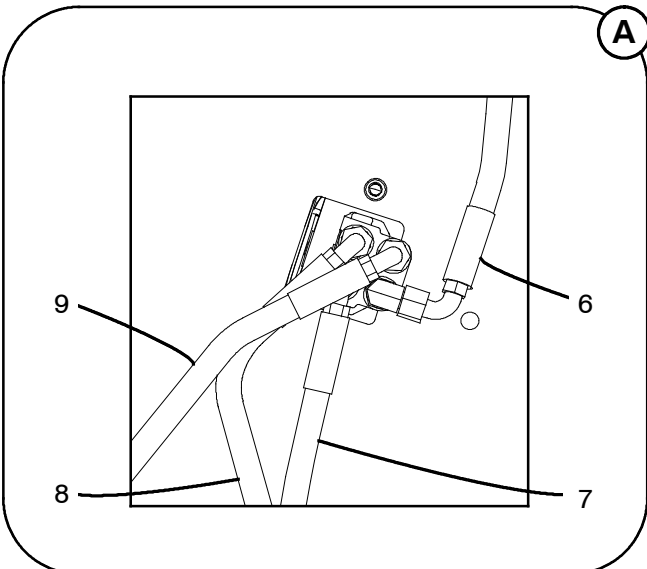
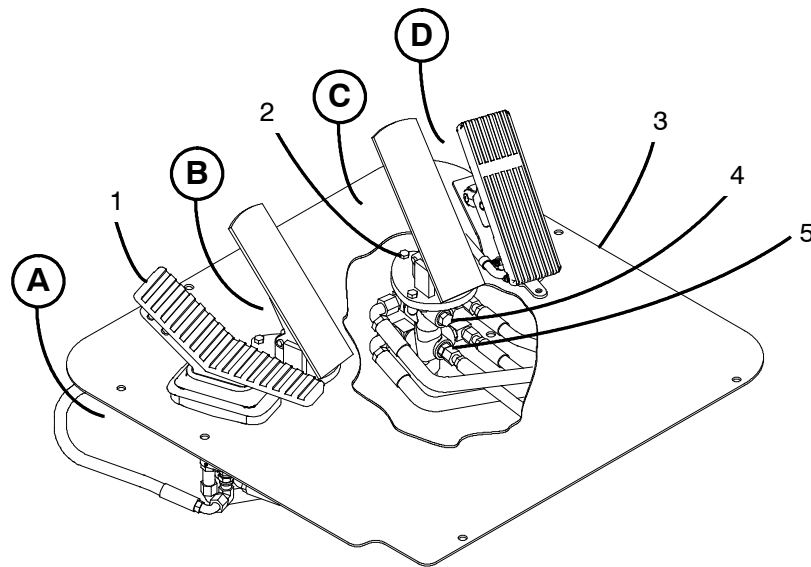


Parts List

0714

Door Assy				
REF	PART NO.	QTY	DESCRIPTION	REMARKS
1	S3N0146	1	Door Assy	
	S2N0447	1	Plate	
	1X 7905	5	Screw, Machine	
2	R8N0091	1	Roller, Carriage	
3	S2N0448	1	Plate	
	1X 7905	2	Screw, Machine	
4	N4N0133	1	Window, Door	
5	824015011	1	Weatherstrip	
6	S3N0147	1	Door	
7	126006024	4	Capscrew	
	128002005	4	Washer	
8	J8N0124	1	Guide, Door	
9	S3N0135	1	Sheet, Door Seal	
10	126009013	2	Capscrew	
11	D7N0060	2	Guide, Wheel	
12	D3N0042	2	Spacer	
13	1X 7905	4	Screw, Machine	

Floor Plate S/A

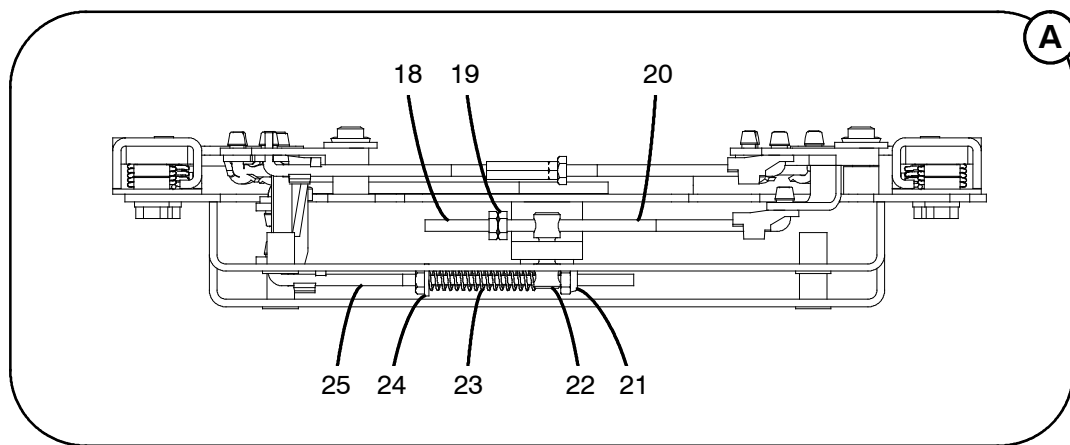
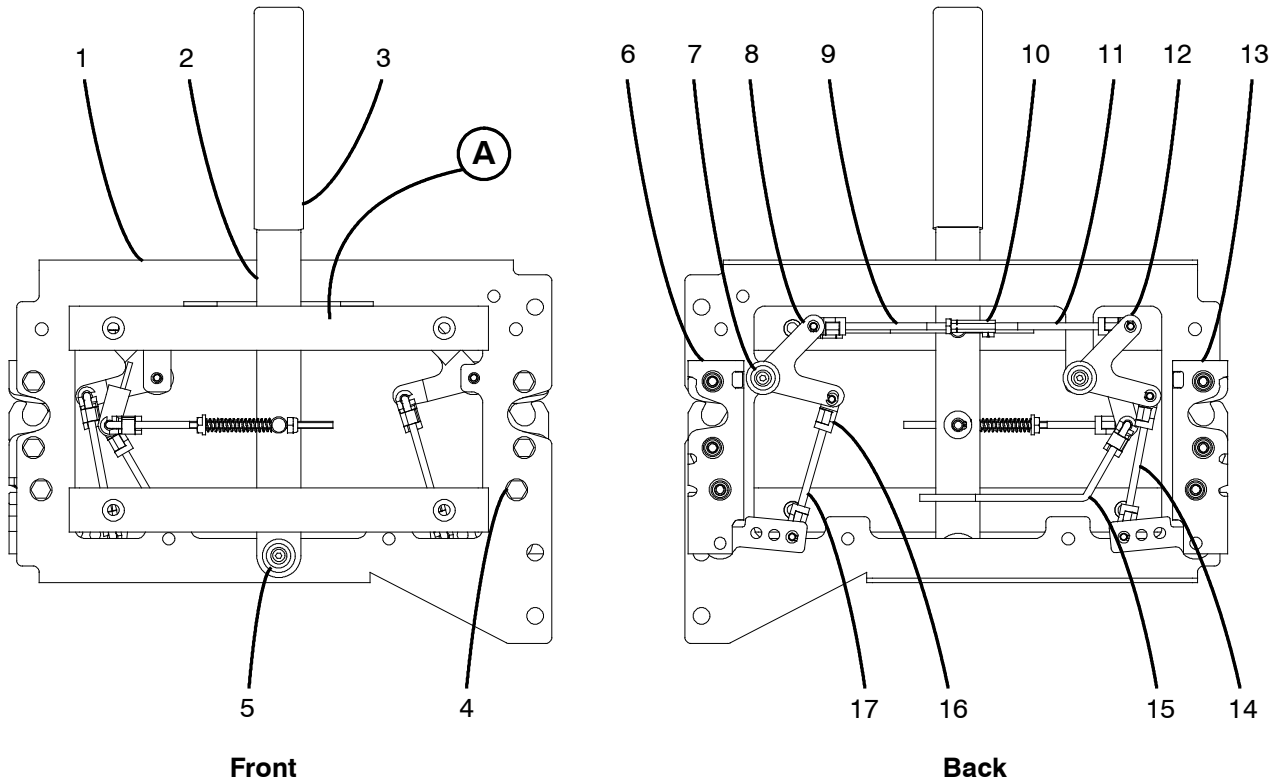


Parts List

0814

Floor Plate S/A				
REF	PART NO.	QTY	DESCRIPTION	REMARKS
	J9N0054	1	Floor Plate S/A	NSS
1	J6J0152	1	Boom Telescope Foot Pedal Assy - See 07- 008- 497.00	
2	126009096	3	Capscrew	
3	J9N0021	1	Plate, Floor	
4	1X 3581	1	Plug	
5	1X 7368	1	Connector	
	70J0104	1	Hose Assy	
6	1X 7404	1	Elbow	
	J7J0498	1	Hose Assy	
7	J7J0534	1	Hose Assy	
	1X 7368	1	Connector	
8	L8J0324	1	Hose Assy	
	1X 7368	1	Connector	
9	D3J0112	1	Hose Assy	
	1X 7379	1	Connector	
10	N3J0125	1	Pedal, Modulating Valve	
	3J 17290	1	Kit, Seal - Modulating Valve Pedal	
11	1X 7462	1	Connector, Swivel	
12	1X 8275	1	Cross	
	1X 7410	1	Tee	
	E8J0251	1	Hose Assy	
13	65J0519	1	Hose Assy	
14	E8J0224	1	Hose Assy	
15	1X 7368	1	Connector	
16	1X 7385	1	Elbow	
17	126009096	3	Capscrew	
18	F7J0365	1	Pedal, Modulating Valve	
	3J 14495	1	Pedal & Base Assy	
	3J 14681	1	Valve Assy	
	3J 14496	1	Kit, Rebuild	
19	1X 7387	1	Elbow	
	J7J0517	1	Hose Assy	
20	1X 7387	1	Elbow	
	J7J0668	1	Hose Assy	
21	1X 7385	1	Elbow	
	69J0310	1	Hose Assy	
22	1X 7385	1	Elbow	
	69J0310	1	Hose Assy	
23	P9R0175	1	Pedal, Throttle	
24	126009096	2	Capscrew	

Latch Assy

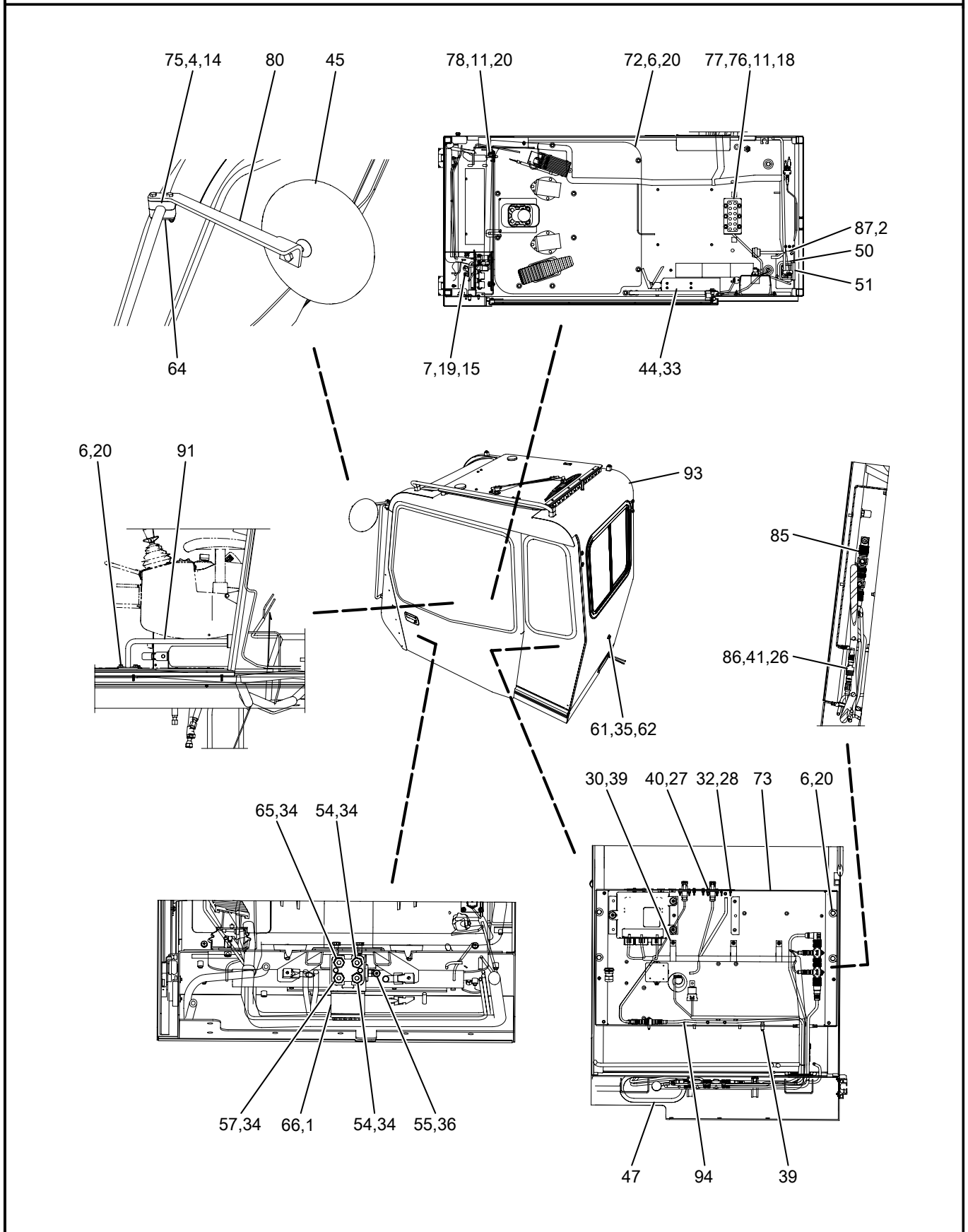


Parts List

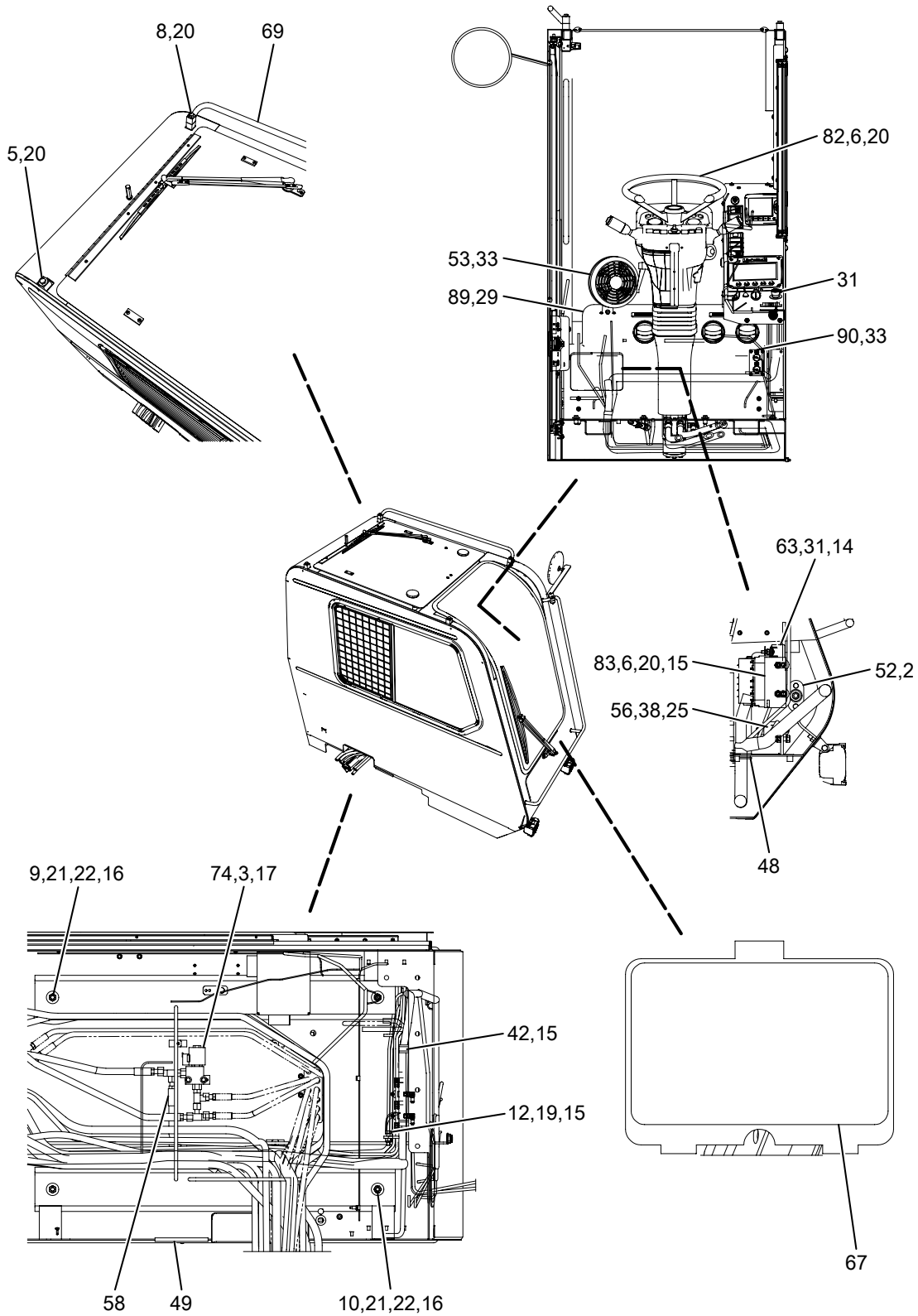
0814

Latch Assy				
REF	PART NO.	QTY	DESCRIPTION	REMARKS
	S3N0141	1	Latch Assy	
1	S3N0140	1	Plate, Latch	
2	S3N0071	1	Handle, Door Latch	
3	N4N0138	1	Grip, Handle	
4	126004009	6	Capscrew	
	128002005	6	Washer	
5	1X 8164	1	Screw, Shoulder	
	128003001	1	Washer	
	128009002	1	Washer, Conical	
	R8N0312	1	Bearing, Sleeve	
6	R8N0148	1	Latch, Rotary - RH	
7	1X 8164	2	Screw, Shoulder	
	128003001	2	Washer	
	128009002	2	Washer, Conical	
8	S3N0032	1	Bellcrank, Door Latch	
9	R8N0160	1	Rod, Door	
10	D6N0081	1	Coupling, Rod	
	1X 8427	1	Nut, Jam	
11	R8N0161	1	Rod, Door	
12	S3N0033	1	Bellcrank, Door Latch	
13	R8N0149	1	Latch, Rotary - LH	
14	R8N0159	1	Rod, Door	
15	S3N0072	1	Rod	
16	R8N0164	9	Clip, Rod Retainer	
17	R8N0159	1	Rod, Door	
18	S3N0073	1	Rod	
19	1X 8427	2	Nut, Jam	
20	S3N0073	1	Rod	
21	1X 5064	1	Locknut	
22	S3N0059	2	Collar, Door Latch	
	1X 8652	2	Ring, Retaining	
23	S3N0098	1	Spring	
24	1X 4438	1	Washer	
	1X 8427	1	Nut, Jam	
25	S3N0073	1	Rod	

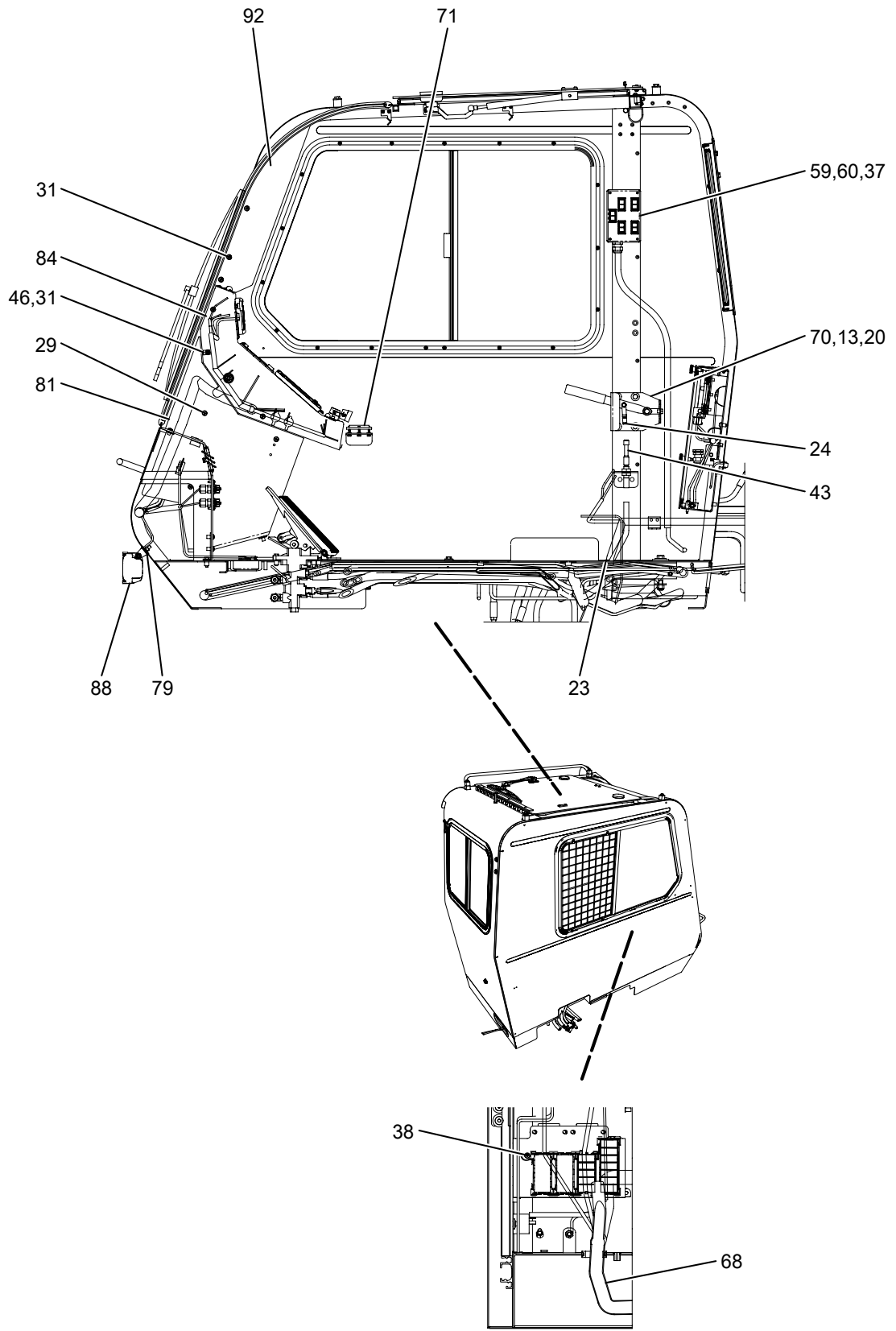
Upper Cab Assy



Upper Cab Assy



Upper Cab Assy



Parts List

0617

Upper Cab Assy				
REF	PART NO.	QTY	DESCRIPTION	REMARKS
1	126004064	4	Capscrew	
2	126009003	5	Capscrew	
3	126009006	2	Capscrew	
4	126009008	2	Capscrew	
5	126009012	2	Capscrew	
6	126009013	24	Capscrew	
7	126009015	1	Capscrew	
8	126009017	2	Capscrew	
9	126009029	2	Capscrew	
10	126009038	2	Capscrew	
11	126009095	8	Capscrew	
12	126009100	1	Capscrew	
13	126009119	4	Capscrew	
14	127004001	6	Locknut	
15	127004003	6	Locknut	
16	127004005	4	Locknut	
17	128003001	2	Washer	
18	128003002	8	Washer	
19	128003003	2	Washer	
20	128003004	34	Washer	
21	128003007	8	Washer	
22	128003010	4	Washer	
23	16H0024	1	Grommet, Rubber	
24	1X 0193	1	Nut, Jam	
25	1X 1776	2	Washer	
26	1X 4438	2	Washer	
27	1X 5064	4	Locknut	
28	1X 5090	2	Locknut	
29	1X 5314	9	Screw	
30	1X 5687	3	Clamp	
31	1X 6044	11	Screw	
32	1X 7118	2	Capscrew	
33	1X 7347	11	Screw	
34	1X 7371	4	Connector	
35	1X 7519	1	O-ring	

Parts List

0617

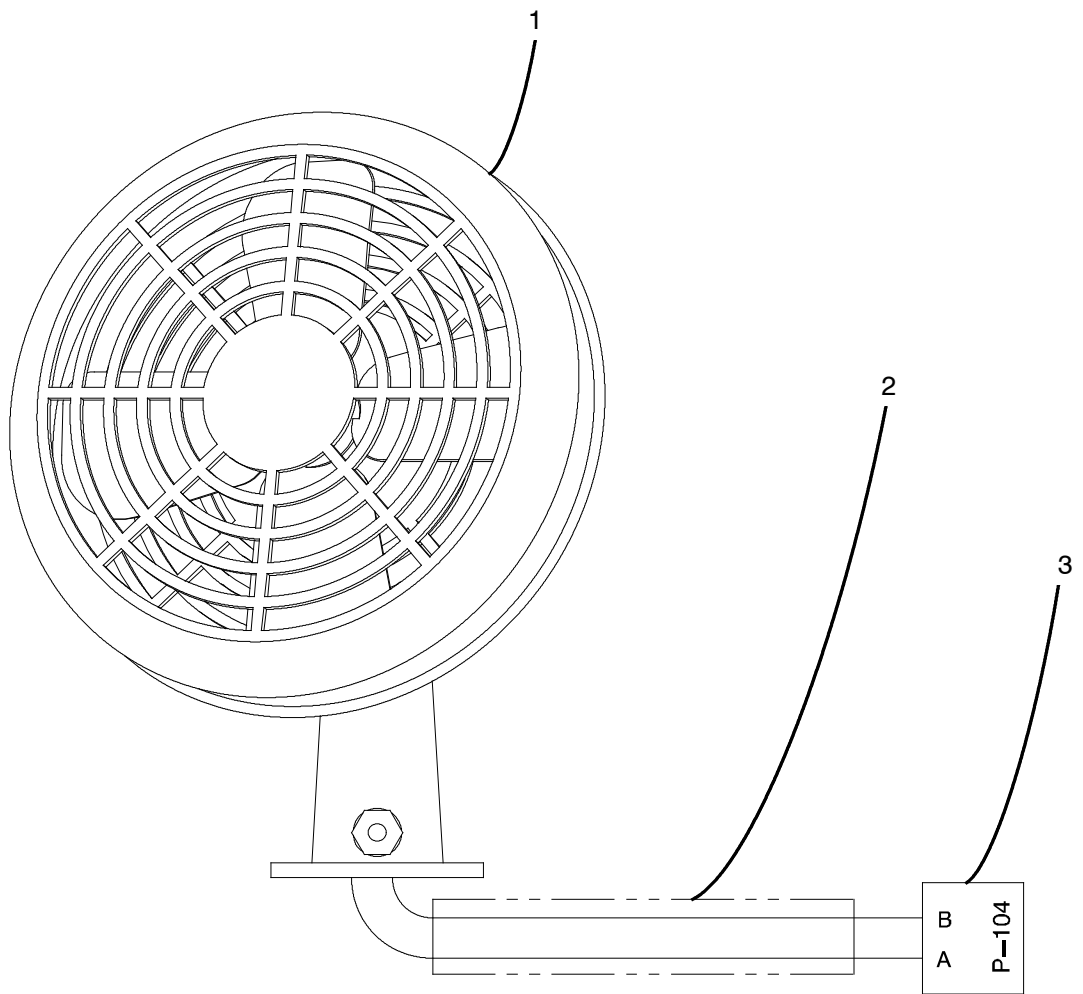
Upper Cab Assy				
REF	PART NO.	QTY	DESCRIPTION	REMARKS
36	1X 7576	1	Elbow	
37	1X 7750	2	Capscrew	
38	1X 7905	4	Screw, Machine	
39	1X 7920	5	Screw, Machine	
40	1X 8281	4	Screw, Machine	
41	1X 8541	2	Screw, Machine	
42	1X 8627	2	Clamp	
43	47J2025	1	Cable, Control	
44	47P0071	1	Fire Extinguisher - See 18-014-007.00	
45	53A0455	1	Mirror	
46	58A0796	2	Retainer, Nut	
47	824025005	1	Trim	1.62'
48	824025005	1	Trim	0.5'
49	824025005	1	Trim	0.5'
50	824046001	1	Weatherstrip	0.29'
51	824046001	1	Weatherstrip	0.66'
52	C4A0458	1	Block, Junction	
53	D3R0090	1	Fan S/A - See 14-007-010.00	
54	D6J0015	2	Hose Assy	
55	F2J0040	1	Hose Assy	
56	F2R0067	1	Flasher	
57	F7J0154	1	Hose Assy	
58	F7J0488	1	Hose Assy	
59	F7R0065	1	Outrigger Remote Control Assy - See 06-049-009.00	
60	F7R0068	1	Hanger, Outrigger Control	
61	F7R0108	1	Switch, Key	
62	3R 1861	1	•Key	
63	F7R0125	2	Relay, 75 Amp	
64	F8J0220	1	Plate, Cover	
65	H9J0038	1	Hose Assy	
66	J6J0157	1	Steering Control Valve Assy - See 07-022-056.00	
67	J6P0113	1	Upper Fuse ID Label	
68	J6R0175	1	Upper Cab Wire Harness - See 06-048-235.00	
69	J7N0104	1	Handle, Grab	
70	J9N0004	1	Swing Lock Lever S/A - See 03-006-167.00	

Parts List

0617

Upper Cab Assy				
REF	PART NO.	QTY	DESCRIPTION	REMARKS
71	J9N0005	1	Level, Circular	
72	J9N0054	1	Floor Plate S/A - See 14-006-127.00	
73	J9N0058	1	Upper Electrical Control Panel Assy - See 06-024-186.00	
74	L8N0134	1	Function Disable Valve S/A - See 07-003-094.00	
75	N3J0332	1	Clamp	
76	N3N0085	1	Seal, Rubber	
77	N3N0086	1	Sheet	
78	N3N0105	2	Bracket, Heater Mounting	
79	N3N0144	2	Grommet	
80	N3N0170	1	Bracket	
81	N4N0105	1	Holder, Flip Chart	
82	N4N0122	1	Steering Column S/A - See 07-022-075.00	
83	N4N0143	1	Bracket	
84	N4N0156	1	RCL Display Assy - See 18-013-581.00	
85	N4R0256	1	CAN-Bus Cable Assy - See 06-048-169.00	
86	N4R0257	1	CAN-Bus Cable Assy - See 06-048-170.00	
87	R3N0090	1	Sheet	
88	S3N0010	2	Light, Drive	
89	S3N0047	1	Heater Cover S/A - See 18-018-252.00	
90	S3N0051	1	Panel, USB	
91	S3N0063	1	Handle, Grab	
92	S4N0004	1	Panel, Light Bar	
93	S4N0010	1	Upper Cab Door, Windows,& Vinyl Assy - See 14-006-124.00	
94	S4R0021	1	Cable, PROFIBUS	

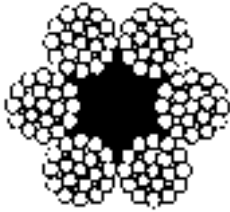


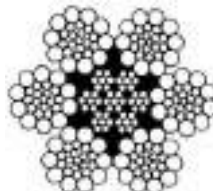

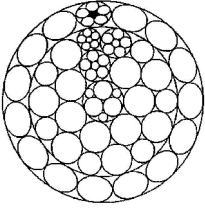
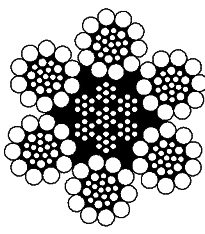
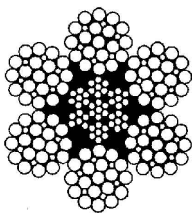


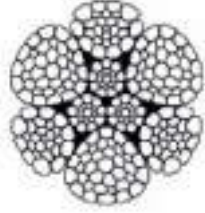
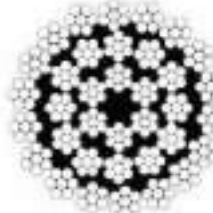
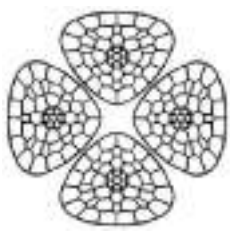

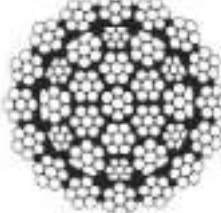
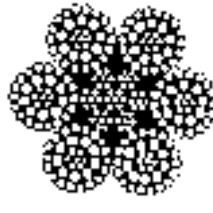

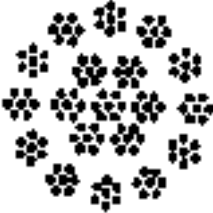

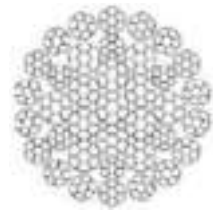
Fan S/A



Parts List

0714




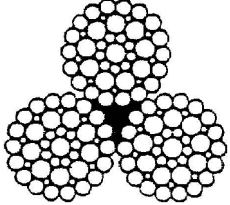
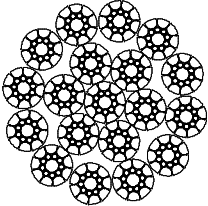

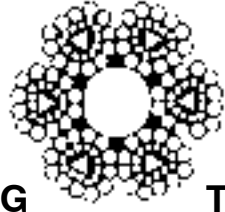
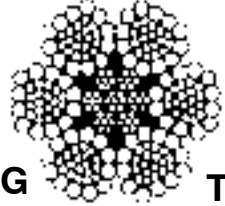




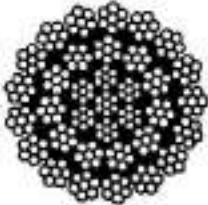


Fan S/A				
REF	PART NO.	QTY	DESCRIPTION	REMARKS
	D3R0090	1	Fan S/A	NSS
1	D3R0074	1	Fan, Cab	
2	810008006	1	Tubing, Heat Shrink	
3	155108001	1	Connector	
	155140001	1	Lock, Secondary	
	155106001	2	Terminal	
	155064005	2	Seal, Cable	





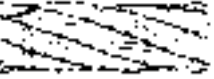
Wire Rope Specifications			
			
A	Aircord	B	BC
			
C,D,F,M,N	CC	DB	DC
			
E	EC	FC	GB
			
GC	H,R,S	HC	J
			
JB,W	K,P	KB,RB	KC

Parts List

0414

Wire Rope Specifications

 <p>L</p>	 <p>LB</p>	 <p>MB</p>	 <p>NB,Z</p>
 <p>PB</p>	 <p>SB,TB</p>	 <p>Style B</p>	 <p>Style V</p>
 <p>VB</p>	 <p>WB</p>	 <p>X</p>	 <p>XB</p>
 <p>Y</p>	 <p>YB</p>	 <p>ZB</p>	

				
<p>Right Regular Lay</p>	<p>Left Regular Lay</p>	<p>Right Lang Lay</p>	<p>Left Lang Lay</p>	<p>Alternate (Reverse) Lay</p>

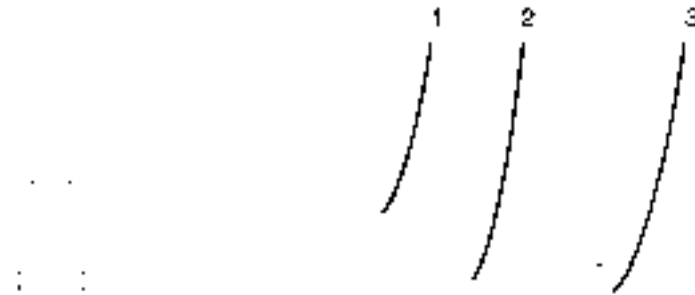
Wire Rope Specifications	
TYPE	DESCRIPTION
A	Use Type "N"
Aircord	7 X 19, Preformed, Carbon Steel, Galvanized
B	8 X 25 (8 X 19 Class), Filler Wire, I.P.S., Preformed, Fiber Center, Right Lay, Regular Lay
BC	6 X 26 (6 X 19 Class), E.E.I.P.S., Preformed, Right Regular Lay, I.W.R.C.
C	6 X 25 (6 X 19 Class), Filler Wire, I.P.S., I.W.R.C., Regular Lay
CC	36 X 7 Non- Rotating, E.E.I.P.S., Right Regular Lay, Compacted
D	Use Type "M"
DB	6 X 26 (6 X 19 Class), Warrington Seale, E.I.P.S., Preformed, Right Regular Lay, I.W.R.C.
DC	6 X 25 (6 X 19 Class), Filler Wire, E.E.I.P.S., XXIP, Preformed, I.W.R.C., Right Lay, Regular Lay
E	6 X 31 (6 X 37 Class), Flexible Seale, I.P.S., Fiber Center, Regular Lay
EC	6 Strand, Compacted Strand, Swaged, Preformed, I.W.R.C., Right Lay, Regular Lay
F	Use Type "N"
FC	6 Strand, Compacted Strand, Swaged, Preformed, I.W.R.C., Right Lay, Regular Lay
G, Style B	6 X 25 Flattened Strand, I.P.S., I.W.R.C., Lang Lay, Up to 3/4" Dia.
G, Style V	6 X 31 Flattened Strand, E.I.P.S., Preformed, I.W.R.C., Right Lay, Lang Lay, 7/8" Dia. & Larger
GB	36 X 7 Rotation Resistant, Core Strand: Left Lay, Center Layer of 6 Strands: Left Lay, Intermediate Layer of 12 Strands: Left Regular Lay, Outer Layer of 17 Strands: Right Regular Lay
GC	4 Strand, Compacted Strand, Swaged, Preformed, Right Lay, Regular Lay
H	6 X 36 (6 X 37 Class), Filler Wire, I.P.S., I.W.R.C., Regular Lay
HC	35 X 7 Rotation Resistant, Compacted Outer Strands, I.W.R.C., Right Lang Lay
J	6 X 43 (6 X 37 Class), Filler Wire, I.P.S., I.W.R.C., Regular Lay
JB	6 X 26 (6 X 19 Class), Preformed, I.W.R.C., Right Lay, Alternate Lay
K	19 X 7 Non- Rotating, I.P.S., Wire Center Core
KB	Rotation Resistant, Wire Strand Core (WSC)
KC	37 X 7, Non- Rotating, Compacted Strand, E.E.I.P.S., Galvanized, Right Lang Lay
L	6 X 21 (6 X 19 Class), Filler Wire, E.I.P.S., I.W.R.C., Lang Lay
LB	6 Strand, Compacted Strand, Seale or Warrington Seale, I.W.R.C., Preformed, Right Lay, Regular Lay
M	6 X 25 (6 X 19 Class), Filler Wire, E.I.P.S., Preformed, I.W.R.C., Right Lay, Lang Lay
MB	10 X 19 Rotation Resistant, E.I.P.S.
N	6 X 25 (6 X 19 Class), Filler Wire, E.I.P.S., Preformed, I.W.R.C., Right Lay, Regular Lay
NB	3 X 46, Torque Balanced, No Core, E.I.P.S., Preformed, Pretensioned, Right Regular Lay
P	19 X 7 Rotation Resistant, E.I.P.S., Preformed, Wire Strand Core (WSC)
PB	19 X 19 Rotation Resistant, E.I.P.S., Preformed, Right Lay, Regular Lay, Swaged, Inner 7 Strands: Left Lang Lay, Outer 12 Strands: Right Regular Lay
R	6 X 36 (6 X 37 Class), Filler Wire, E.I.P.S., I.W.R.C., Regular Lay
RB	18 X 19 Rotation Resistant, E.E.I.P.S., Preformed, Right Lay, Regular Lay, Swaged
S	6 X 36 (6 X 37 Class), Filler Wire, E.I.P.S., I.W.R.C., Lang Lay
SB	8 Strand, Preformed, Right Lay, Regular Lay

Parts List

0414

Wire Rope Specifications	
TYPE	DESCRIPTION
T, Style B	6 X 25 Flattened Strand, E.I.P.S., I.W.R.C., Lang Lay, Up To 3/4" Dia.
T, Style V	6 X 31 Flattened Strand, E.I.P.S., Preformed, I.W.R.C., Right Lay, Lang Lay, 7/8" Dia. & Larger
TB	8 Strand, Preformed, Right Lay, Regular Lay
VB	28 mm Diameter, Flexible, Rotation Resistant, Regular Lay
W	6 X 26 (6 X 19 Class), E.I.P.S., Preformed, I.W.R.C., Right Lay, Alternate Lay
WB	8 Strand, Preformed, Regular Lay
X	8 X 25 (8 X 19 Class), E.I.P.S., I.W.R.C., Regular Lay
XB	10 Strand, Preformed, Regular Lay
Y	35 X 7 Non- Rotating, Special Tensile Formset, Core Strand: Left Direction, Center Layer of 6 Strands: Left Direction, Intermediate Layer of 11 Strands: Left Direction, Outer Layer of 17 Strands: Right Direction
YB	34 X 7 (6/1) Rotation Resistant, Wire Rope Core 34 X 19 (9/9/1) Wire Strand Core (WSC) (1-1/2" Dia. Rope)
Z	3 X 46 E.I.P.S., No Core, Pretensioned, Regular Lay
ZB	34 X 7 Non- Rotating, E.I.P.S., Right Regular Lay or Right Lang Lay
	<p>NOTE: All Types Are Right Lay & Preformed Except K, P, & Y Where Inner 7 Strands Are Left Lang Lay And Outer 12 Are Right Regular Lay.</p> <p>I.P.S. = Improved Plow Steel. I.W.R.C. = Independent Wire Rope Core E.I.P.S. = Extra Improved Plow Steel E.E.I.P.S. = Extra Extra Improved Plow Steel</p>

Terminator Socket & Wedge & Drum Wedge



Parts List

0606

Terminator Socket & Wedge & Drum Wedge				
REF	PART NO.	QTY	DESCRIPTION	REMARKS
1	N3Y0001	1	Terminator Socket & Wedge Assy	
2	N3Y0002	1	Wedge, Terminator	
3	N3Y0003	1	Socket, Terminator	
	D6Y0002	1	Pin	
	150007009	1	Pin, Cotter	
	D6Y0001	1	Wedge, Drum - Not Shown	

Wire Rope Type KC 600' (182.88m)

No Illustration Required

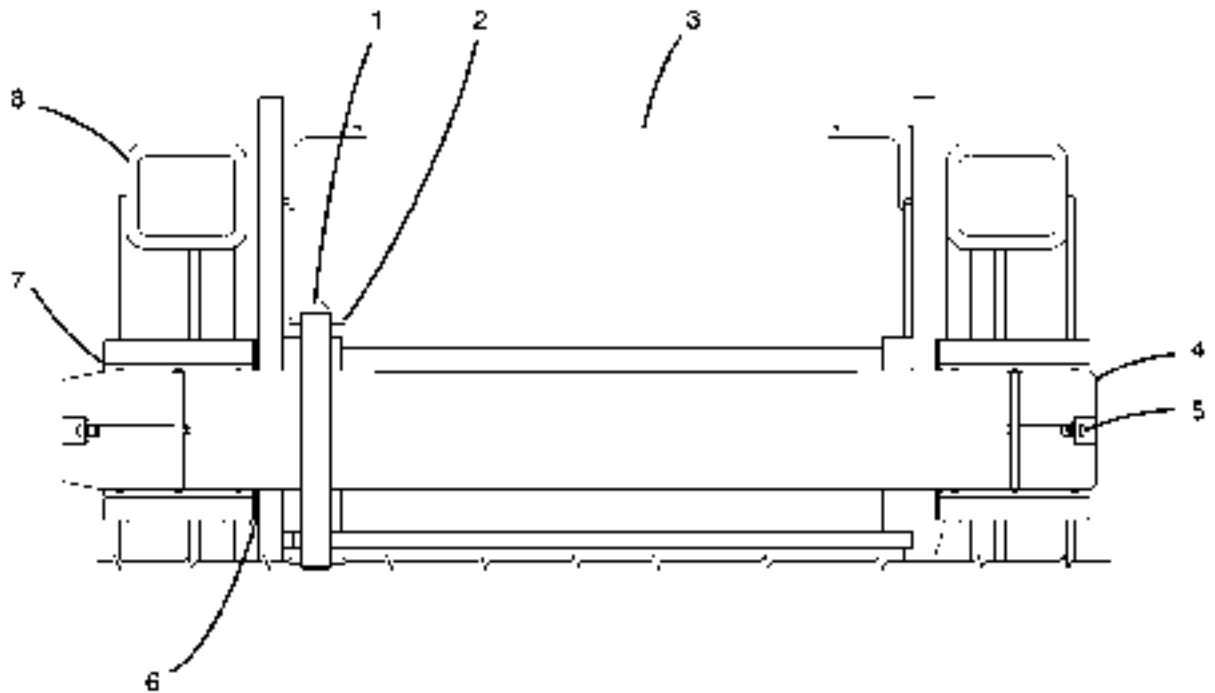
Parts List

0114

Wire Rope Type KC 600' (182.88m)

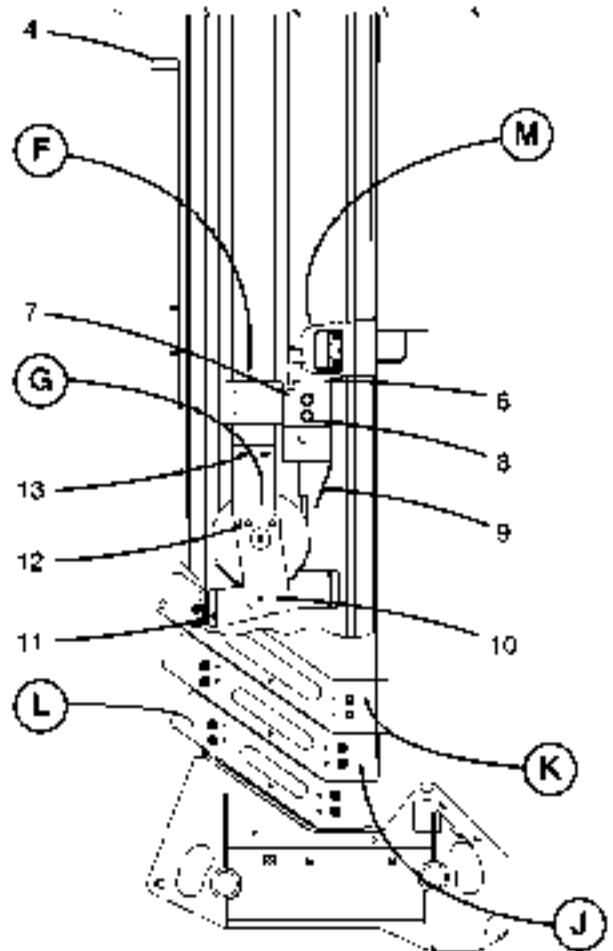
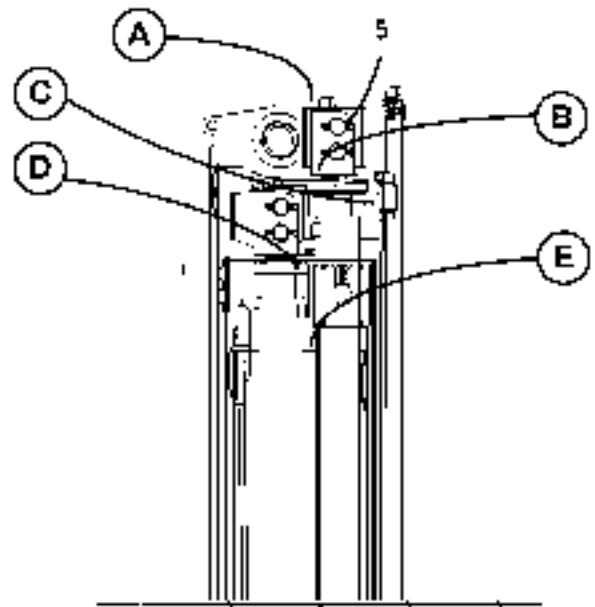
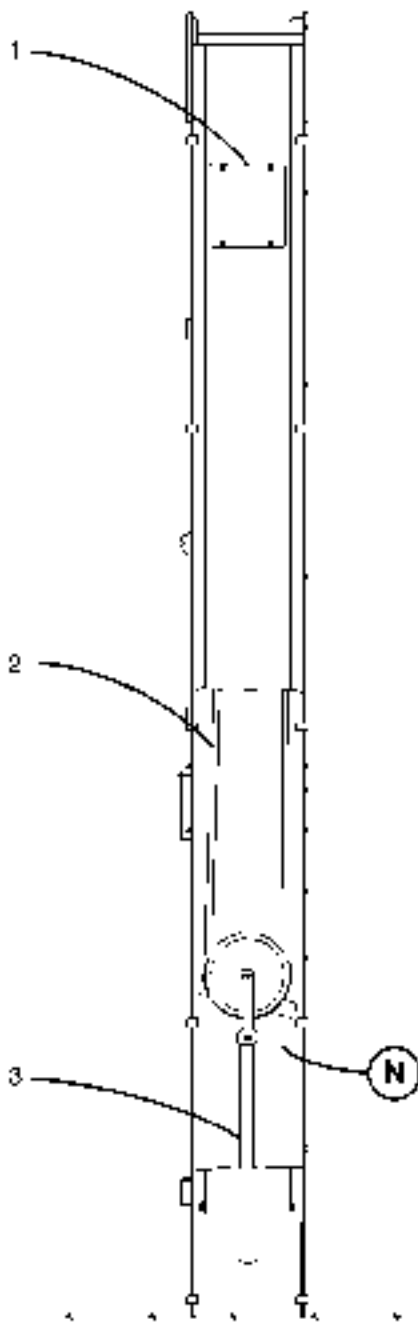
REF	PART NO.	QTY	DESCRIPTION	REMARKS
	990616366		Rope, Wire - Type KC - 19mm X 600'	

Boom Foot Pin & Bearing



REF	PART NO.	QTY	DESCRIPTION	REMARKS
1	46M0439	1	Pin	
2	150007010	2	Pin, Cotter	
3	REF		Boom Base	
4	F7M0413	1	Pin, Boom Foot	
5	1X 0812	2	Fitting, Grease	
6	46M0440	6	Washer	
7	F7B0091	2	Bearing	
8	REF		Upper Frame	

4 Section Boom Assy

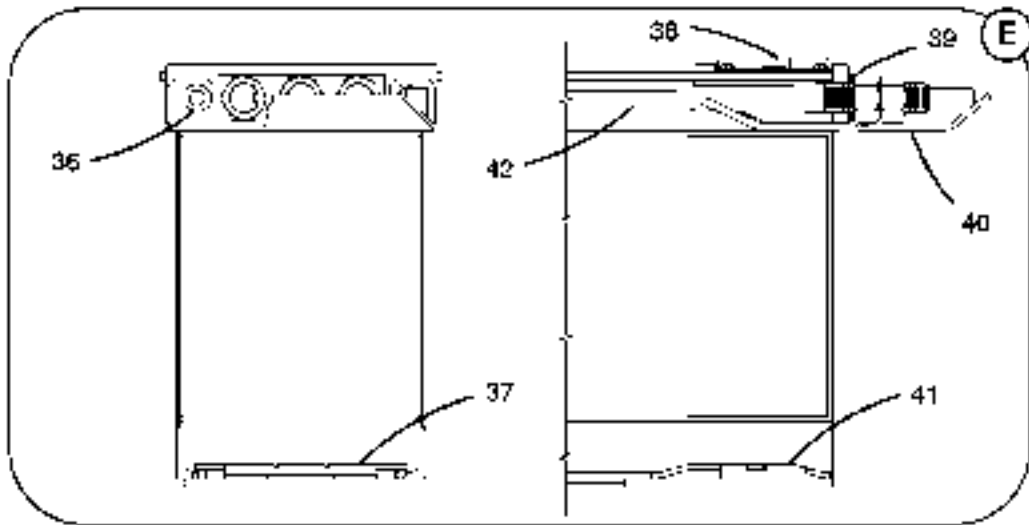
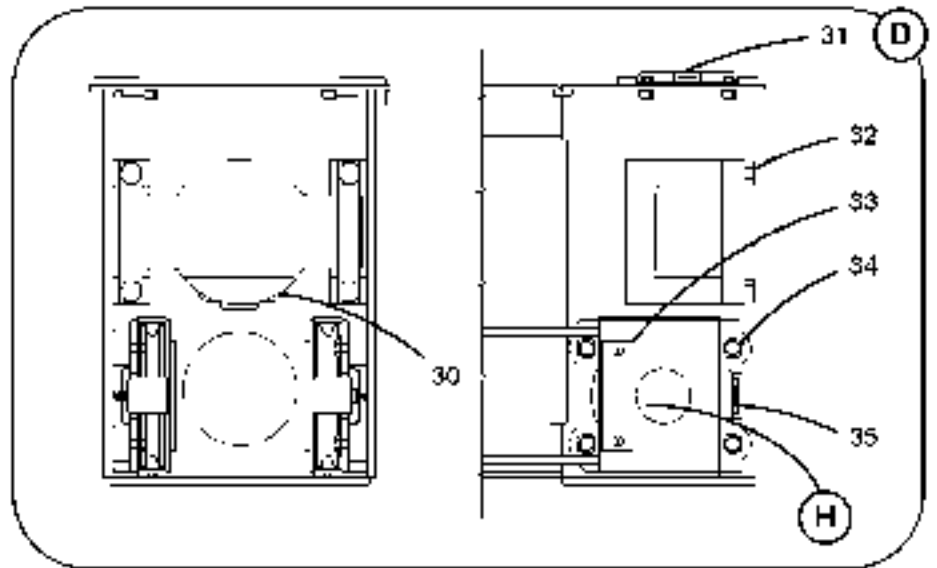
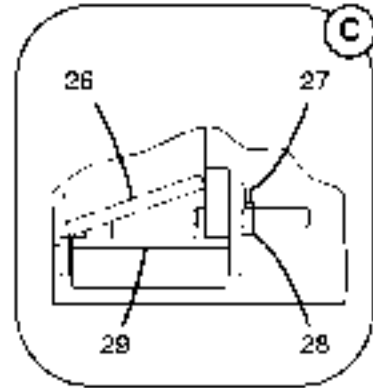
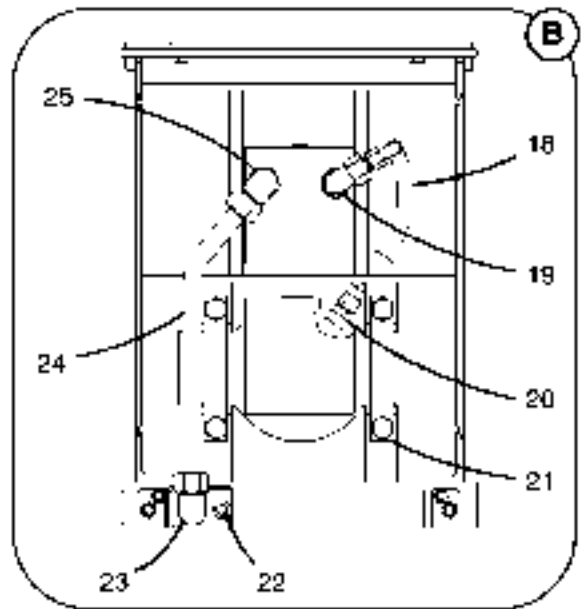
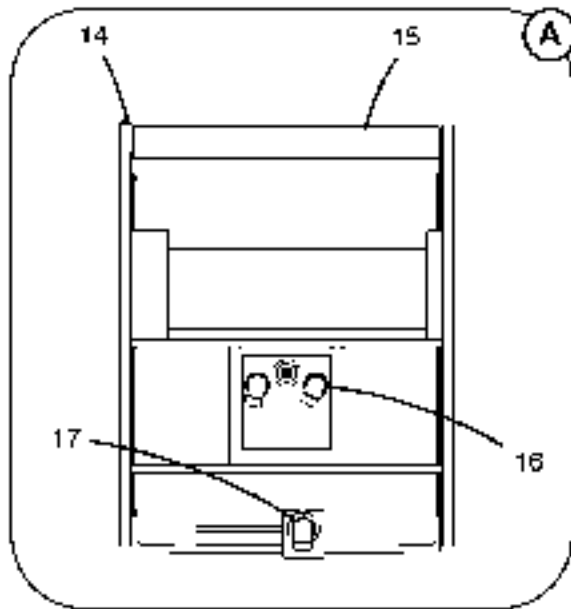


Parts List

0613

4 Section Boom Assy				
REF	PART NO.	QTY	DESCRIPTION	REMARKS
1	F7M0422	1	Sheet	
	126009012	4	Capscrew	
	128003004	4	Washer	
2	F7M0293	1	Hose Assy	
3	E9M0133	1	Cable Assy	
4	F1M0267	12	Sheet	
	126009119	12	Capscrew	
	128003004	12	Washer	
5	D6M0501	4	Pin	
	150007007	8	Pin, Cotter	
6	F7M0439	1	Bracket	
	1X 6929	4	Capscrew	
	1X 5188	4	Washer	
7	J6M0088	1	Cable, Retract	
	1X 6985	4	Nut	
8	1X 3928	2	Capscrew	
	1X 5191	4	Washer	
	1X 4991	2	Locknut	
9	J6M0180	1	Bracket	
	1X 6979	2	Capscrew	
10	1X 6922	4	Capscrew	
	1X 5186	4	Washer	
11	J6M0075	1	Bracket	
	36M0517	4	Pad, Nylon	
	126009099	8	Capscrew	
12	F7M0366	1	Plate	
	1X 6979	2	Capscrew	
13	F7M0263	1	Bracket	
	1X 4332	4	Capscrew	
	1X 5188	4	Washer	
14	126009013	1	Capscrew	
15	F7M0302	1	Pin	
	F7M0303	1	Tube	
16	1X 7390	2	Elbow	
17	1X 7632	1	Elbow	
	128003015	1	Washer	
18	D7J0181	1	Hose Assy	
19	1X 7390	1	Elbow	
	1X 7432	1	Reducer	
	1X 7364	1	Nut, Tube	
20	1X 7371	1	Connector	
21	F7M0337	2	Bracket	
	1X 5501	4	Capscrew	
22	E6M0336	1	Plate	
	126009014	1	Capscrew	
	128003004	1	Washer	
23	1X 7632	1	Elbow	
24	J6J0056	1	Tube Assy	
25	1X 7390	1	Elbow	
26	D3M0146	2	Wedge	

4 Section Boom Assy

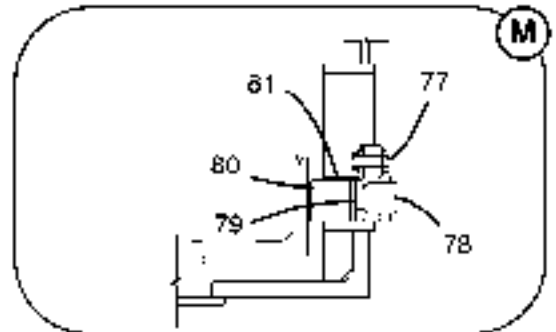
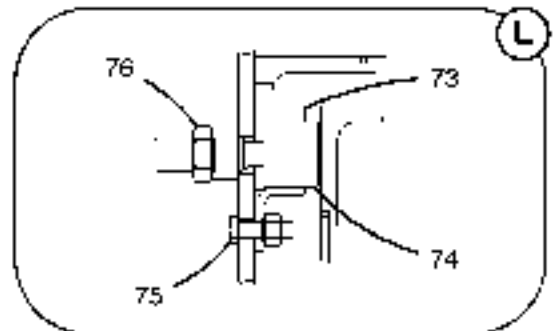
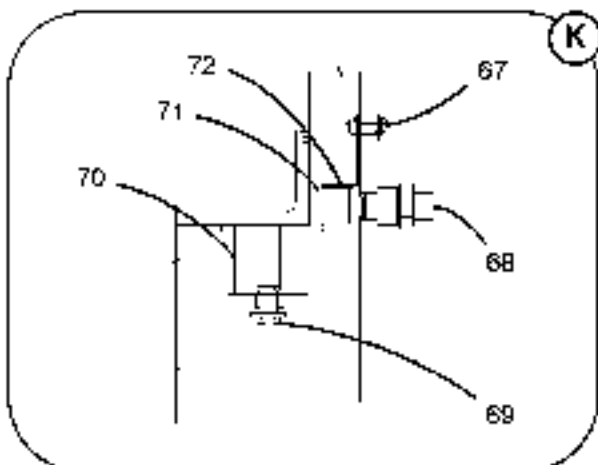
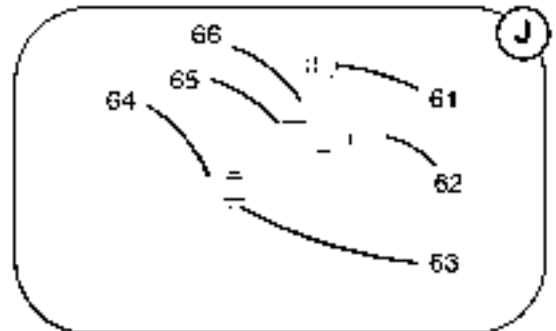
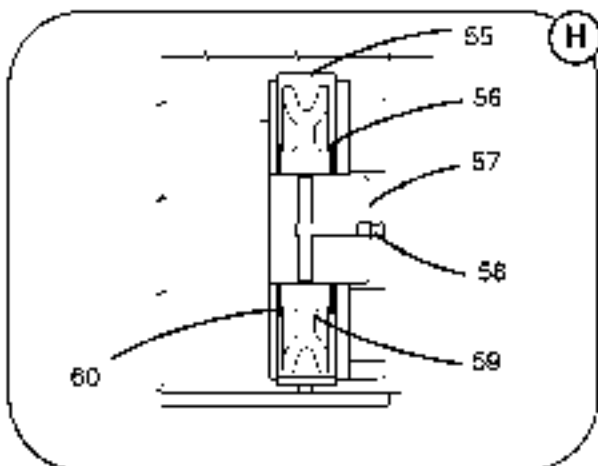
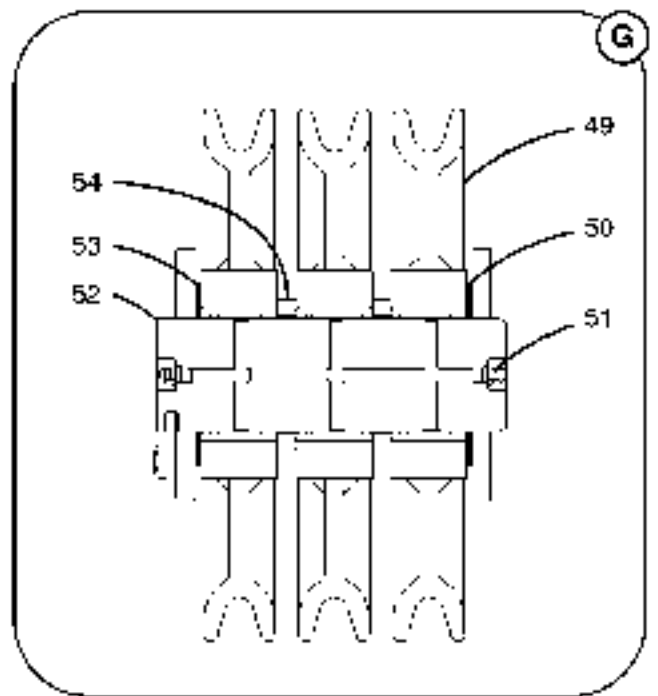
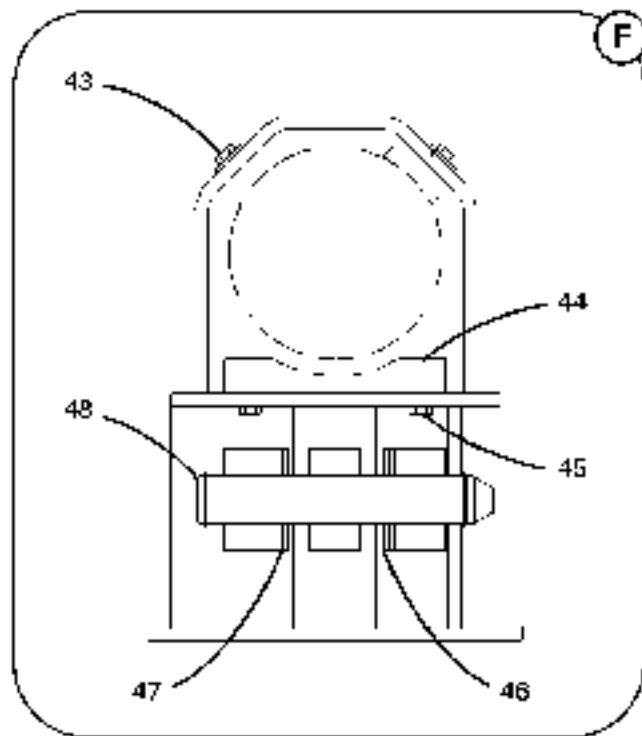


Parts List

0613

4 Section Boom Assy				
REF	PART NO.	QTY	DESCRIPTION	REMARKS
27	126009002	2	Capscrew	
	128003001	2	Washer	
28	D3M0149	2	Plate	
	1X 0497	2	Selfscrew	
	1X 0183	2	Nut, Jam	
29	60M0149	2	Plate	
	60M0147	2	Pad	
30	F2M0160	1	Pad	
	1X 4717	2	Screw	
31	D3M0246	4	Sheet	
	F1M0268	4	Pad, Wear	
	126009013	8	Capscrew	
32	F7M0337	2	Plate	
	1X 5501	4	Capscrew	
33	E1M0246	2	Pad	
	1X 0649	4	Screw	
34	1X 5472	8	Capscrew	
	128003006	8	Washer	
35	F7M0285	2	Bar	
	1X 7074	4	Capscrew	
	128003004	4	Washer	
36	1X 6106	2	Capscrew	
	128003006	2	Washer	
37	J6M0077	1	Plate	
	1X 3021	4	Screw	
38	D3M0246	2	Sheet	
	F1M0268	2	Pad, Wear	
	126009099	4	Capscrew	
39	E1M0339	2	Plate	
	1X 7939	6	Nut	
40	E1M0257	1	Guard	
41	F7M0160	1	Pad	
42	J6M0087	3	Cable, Extension	
43	E1M0368	2	Sheet	
	E1M0247	2	Pad	
	126009012	4	Capscrew	
44	E1M0370	1	Pad	
45	126009012	2	Capscrew	
46	1X 5002	3	Washer - AR	
47	1X 5002	3	Washer - AR	
48	F7M0305	1	Pin	
	1X 1799	2	Ring, Retaining	
49	E1M0305	3	Sheave Assy	
	E1M0239	1	Sheave	
	E1M0244	1	Bushing	
50	32H0179	2	Shim - 22 Ga Thickness	
	32H0180	2	Shim - 16 Ga Thickness	
51	1X 0812	2	Fitting, Grease	
52	E1M0237	1	Pin	
53	32H0179	2	Shim 22 Ga Thickness	
	32H0180	2	Shim 16 Ga Thickness	
54	12M0038	2	Spacer	

4 Section Boom Assy

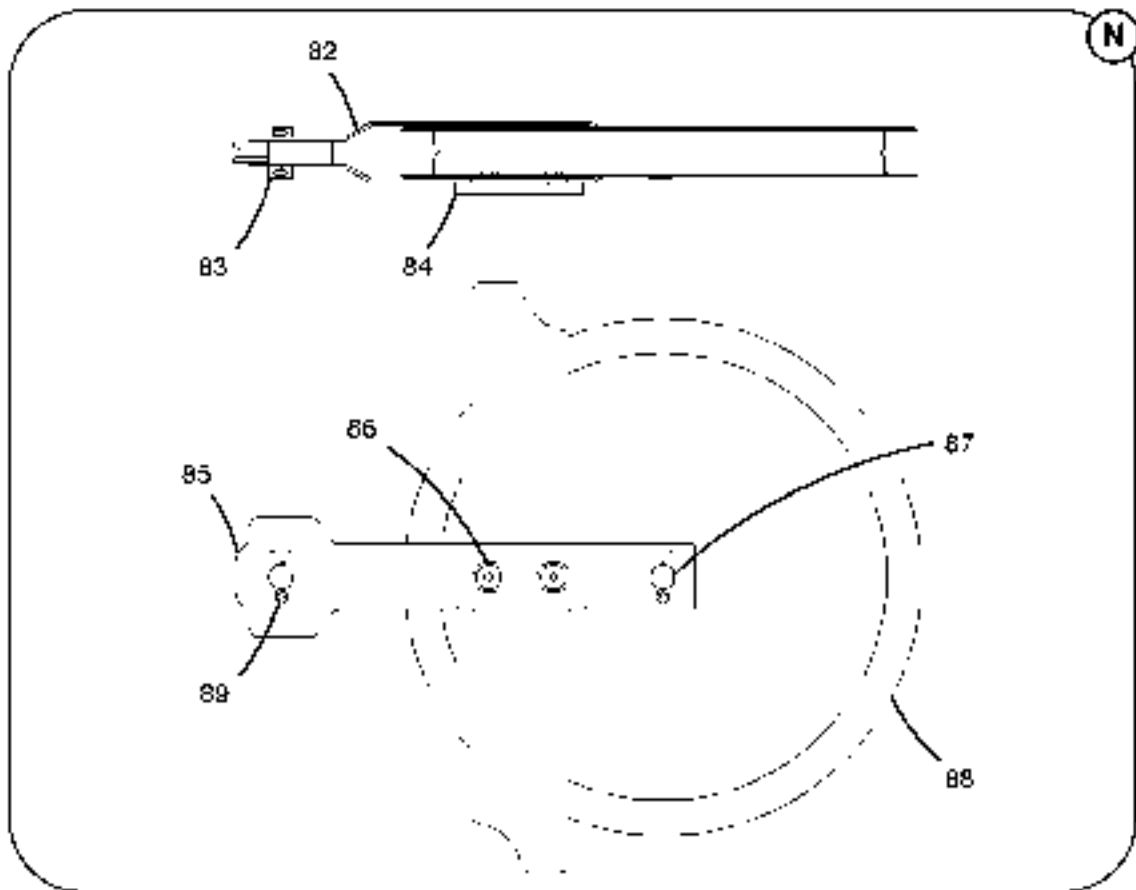


Parts List

0613

4 Section Boom Assy				
REF	PART NO.	QTY	DESCRIPTION	REMARKS
55	F7M0260	2	Bracket	
56	32H0179	2	Shim - 22 Ga Thickness	
	32H0180	2	Shim - 16 Ga Thickness	
57	F7M0264	2	Pin	
58	1X 0812	2	Fitting, Grease	
59	E1M0306	1	Sheave Assy	
	E1M0229	1	Sheave	
	E1M0230	1	Bushing	
60	32H0180	2	Shim	
61	126009003	8	Capscrew	
	128003001	8	Washer	
62	1X 0730	8	Screw	
	1X 0185	8	Nut, Jam	
63	126058001	8	Capscrew	
	128003004	8	Washer	
	1X 8473	8	Spacer	
64	F1M0268	4	Pad, Wear	
	F1M0229	4	Plate	
65	D3M0144	4	Pad, Wear	
	F1M0236	4	Bar	
66	J6M0194	2	Retainer Shoe - Near Side	
	F7M0423	2	Retainer Shoe - Far Side	
67	126009003	4	Capscrew	
	128003001	4	Washer	
68	1X 0730	4	Screw	
	1X 0185	4	Nut, Jam	
69	126058001	4	Capscrew	
	128003004	4	Washer	
	1X 8473	4	Spacer	
70	F1M0269	2	Pad, Wear	
	F1M0229	2	Plate	
71	J6M0059	2	Pad, Wear	
	F1M0236	2	Bar	
72	J6M0072	2	Plate	
73	J6M0079	4	Bracket - Outer & Inner Section	
	J6M0082	2	Bracket - Base Section	
74	D3M0137	6	Plate	
	89M0147	4	Pad - Outer & Inner Section	
	J6M0085	2	Pad - Base Section	
75	126009014	12	Capscrew	
	128003004	12	Washer	
76	1X 0730	12	Selfscrew	
	1X 0185	12	Nut, Jam	
77	126009003	8	Capscrew	
	128003001	8	Washer	
78	1X 7990	8	Selfscrew	
79	F1M0236	4	Bar	
80	D3M0144	2	Pad, Wear - Outer Mid	
	J6M0059	2	Pad, Wear - Inner Mid	
81	E8M0328	4	Plate	

4 Section Boom Assy

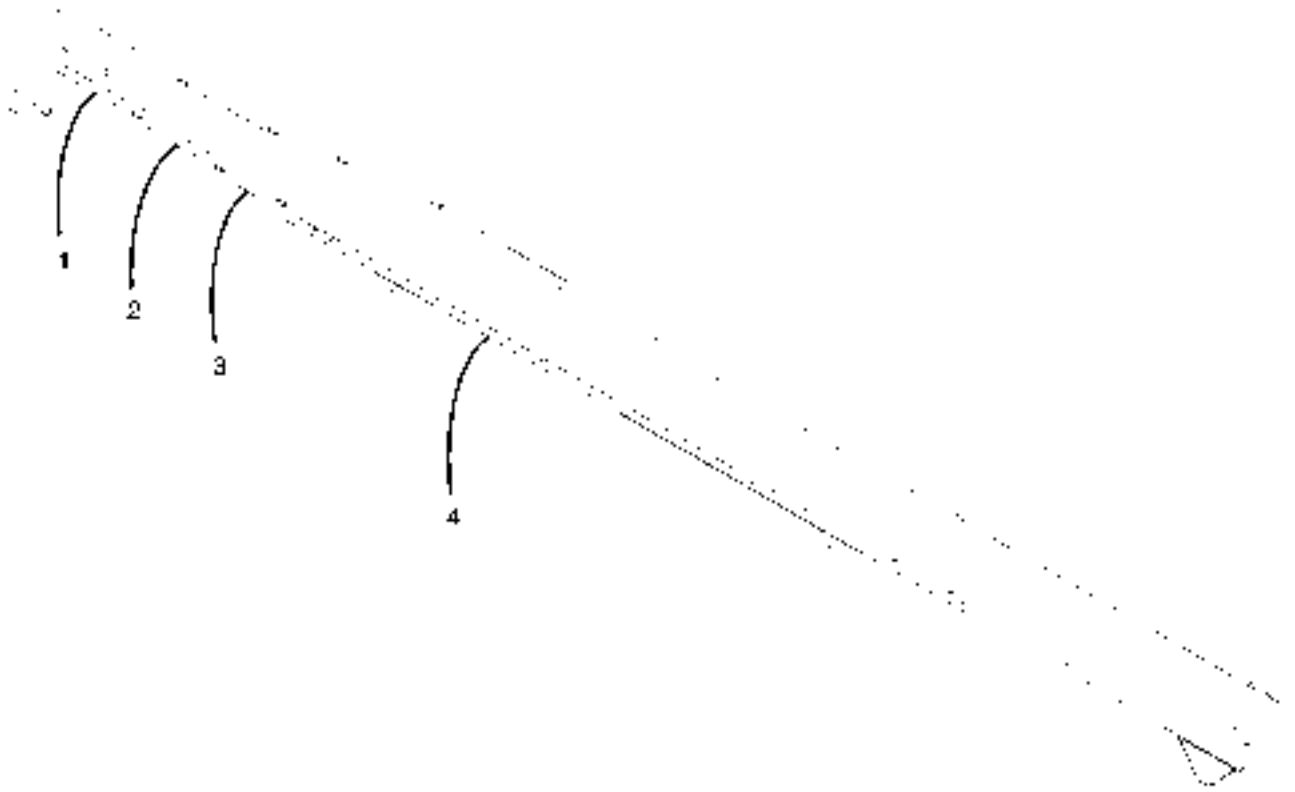


Parts List

0613

4 Section Boom Assy				
REF	PART NO.	QTY	DESCRIPTION	REMARKS
	F7M0448	1	Pulley Assy	
82	F7M0447	1	Bracket	
83	65M0001	2	Pin	
84	F2M0160	1	Pad	
85	68M0328	1	Pulley	
86	1X 0656	2	Screw	
87	F1M0203	1	Bearing	
88	F1M0201	1	Pulley	
89	150007005	4	Pin, Cotter	

Inner Mid Section

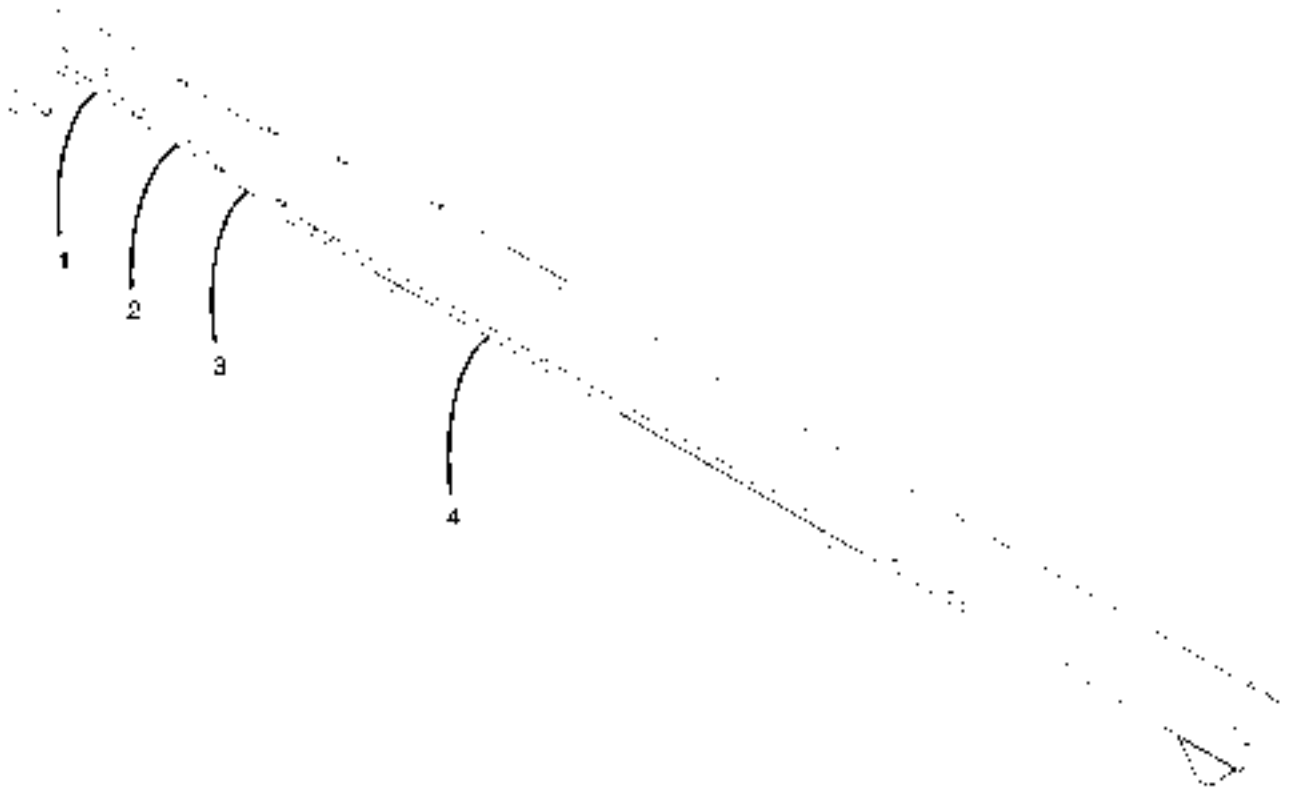


Parts List

0904

Inner Mid Section				
REF	PART NO.	QTY	DESCRIPTION	REMARKS
1	REF		Tip Section	
2	REF		Outer Mid Section	
3	J6M0008	1	Inner Mid Section	
4	REF		Base Section	

Outer Mid Section



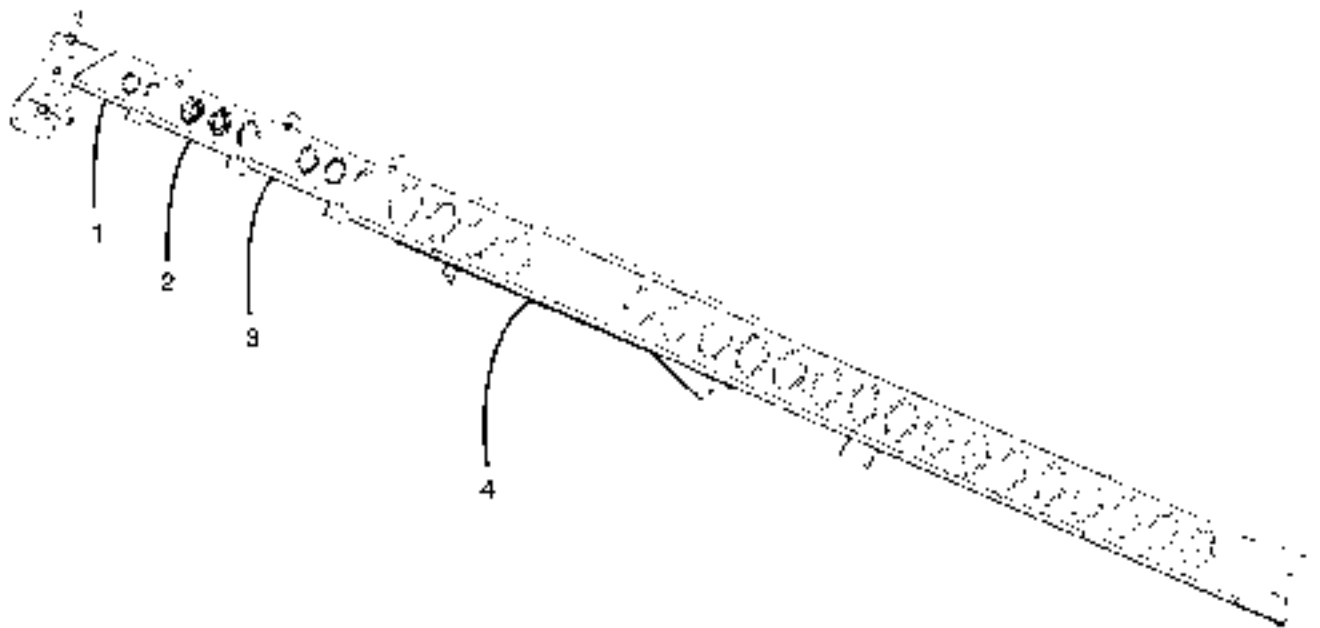
Parts List

0904

Outer Mid Section

REF	PART NO.	QTY	DESCRIPTION	REMARKS
1	REF		Tip Section	
2	J6M0015	1	Outer Mid Section	
3	REF		Inner Mid Section	
4	REF		Base Section	

Base Section

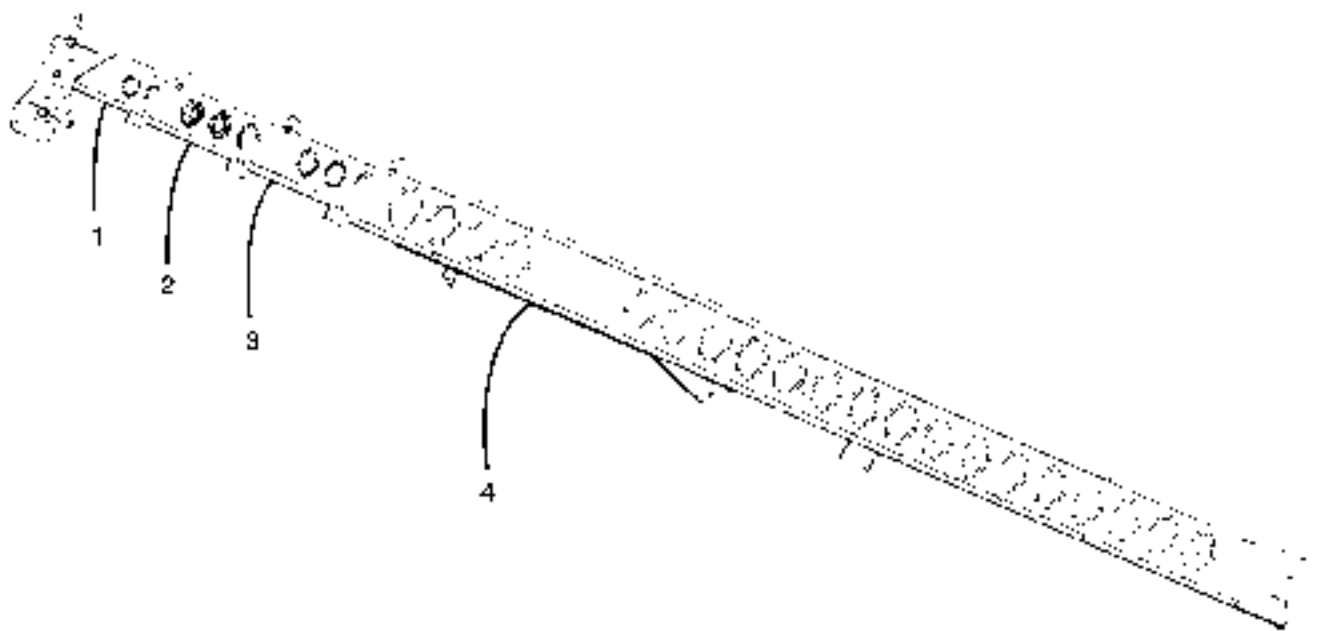


Parts List

0213

Base Section				
REF	PART NO.	QTY	DESCRIPTION	REMARKS
1	REF		Tip Section	
2	REF		Outer Mid Section	
3	REF		Inner Mid Section	
4	J6MD199	1	Base Section	

Tip Section

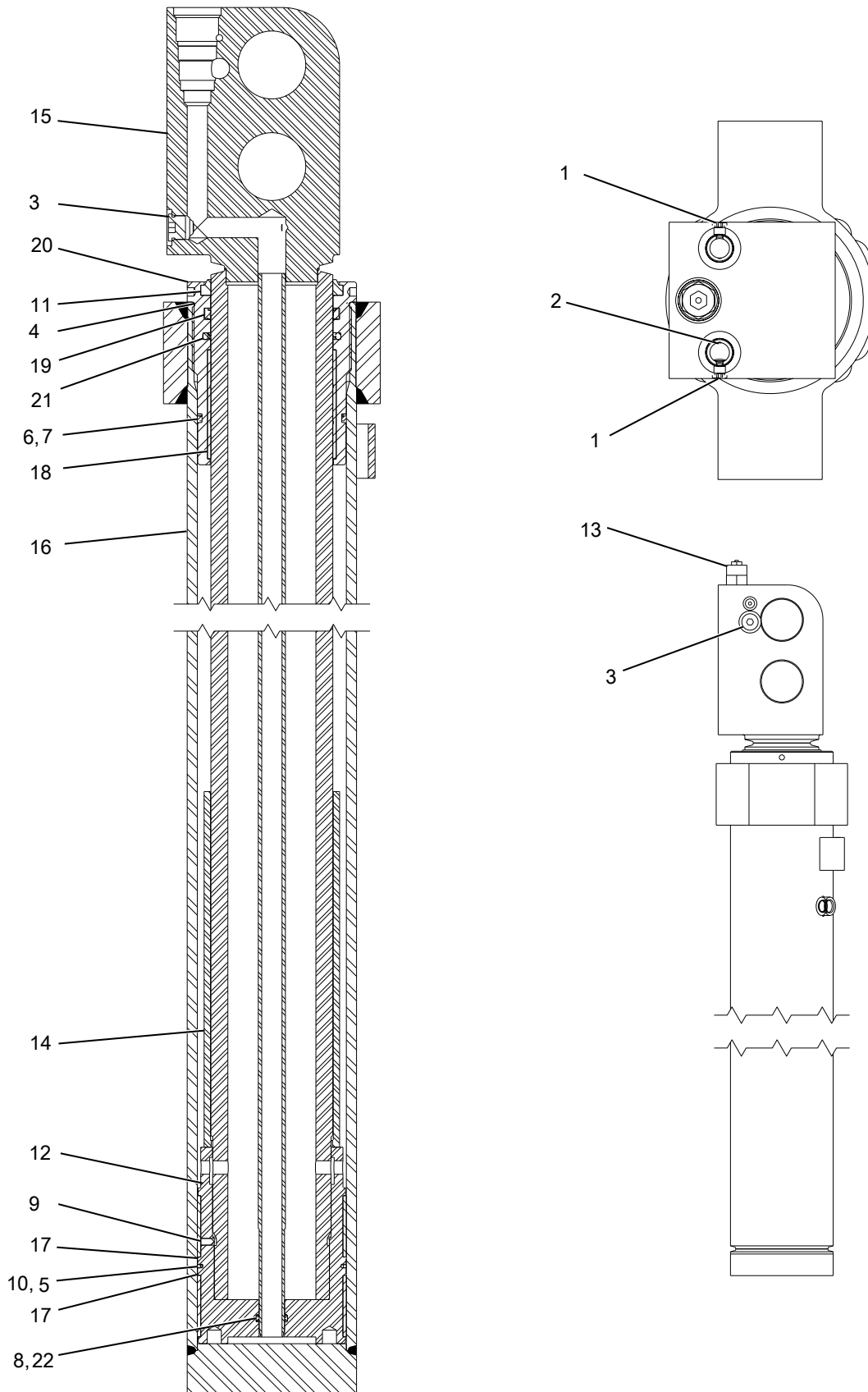


Parts List

0213

Tip Section				
REF	PART NO.	QTY	DESCRIPTION	REMARKS
1	J6M0200	1	Tip Section	
2	REF		Outer Mid Section	
3	REF		Inner Mid Section	
4	REF		Base Section	

Telescope Cylinder Assy

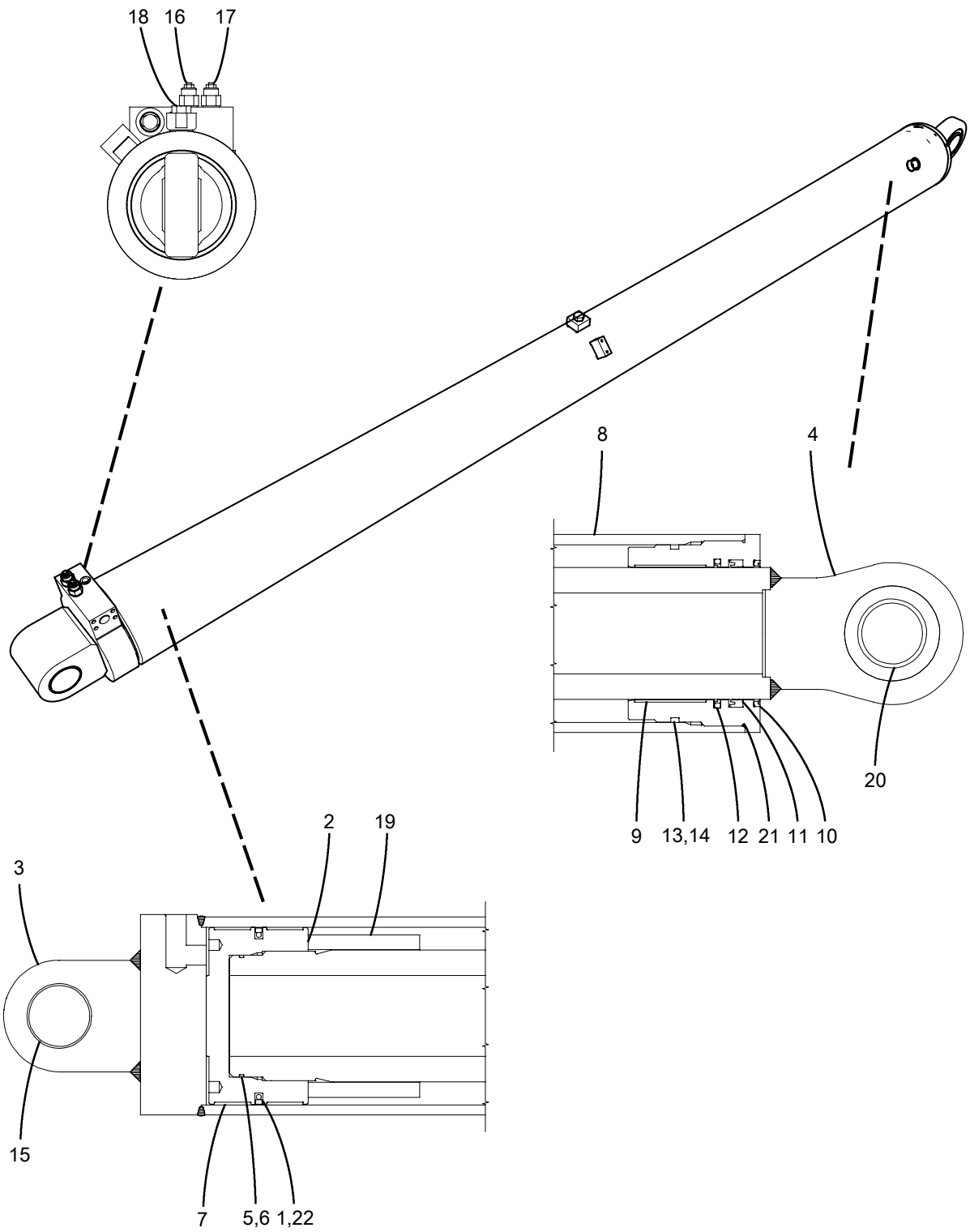


Parts List

1015

Telescope Cylinder Assy				
REF	PART NO.	QTY	DESCRIPTION	REMARKS
	J6J0348	1	Telescope Cylinder Assy	
1	1X 4448	2	•Plug	
2	1X 4454	1	•Plug	
3	1X 4631	3	•Plug	
4	1X 7777	1	•O-ring	KA
5	25V0330	1	•O-ring	KA
6	25V0386	1	•O-ring	KA
7	25V0388	1	•Ring, Back Up	KA
8	36J0352	2	•Ring, Back Up	KA
9	36J0356	1	•Setscrew	
10	69J0026	1	•Seal, Piston	KA
11	69J0027	1	•Seal	KA
12	69J0028	1	•Piston	
13	D6J0371	1	•Cartridge, Counterbalanc e	
	3J 12641	1	••Seal Kit	
14	J6J0015	1	•Tube, Stop	
15	J6J0016	1	•Rod	
16	J6J0017	1	•Case, Cylinder	
17	J6J0300	2	•Ring, Wear	KA
18	J6J0301	1	•Ring, Wear	KA
19	J6J0345	1	•Seal, Rod Double Lip	KA
20	J6J0346	1	•Gland	
21	J6J0347	1	•Stepseal	KA
22	JC 1813	1	•O-ring	KA
	3J 20489	1	Seal Kit - All Items Marked KA	

Boom Hoist Cylinder Assy

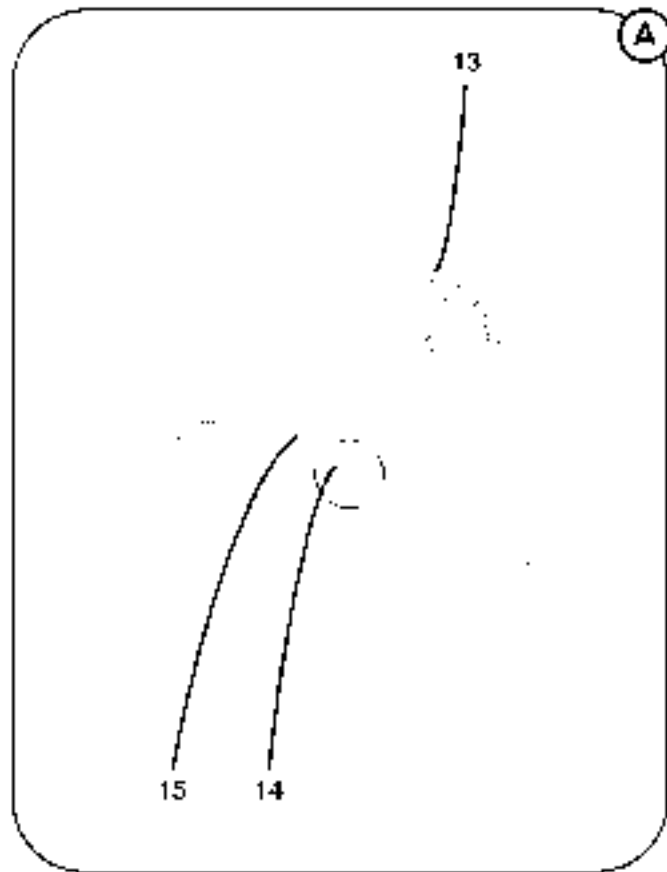
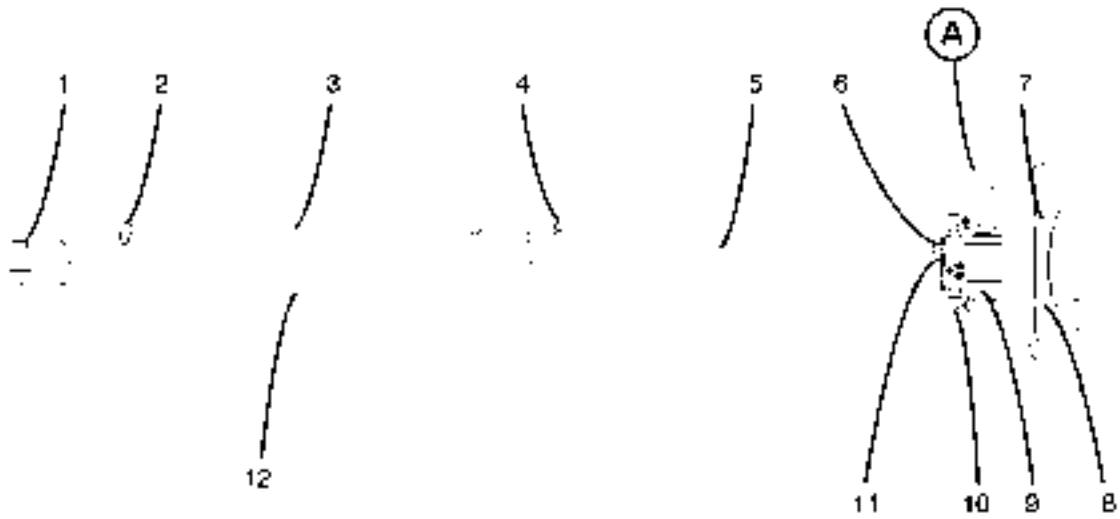


Parts List

0316

Boom Hoist Cylinder Assy				
REF	PART NO.	QTY	DESCRIPTION	REMARKS
	J6J0045	1	Boom Hoist Cylinder Assy	
	J6J0125	1	Boom Hoist Cylinder Assy	
1	J6J0052	1	•Seal, Square Ring	KA
2	J6J0037	1	•Piston	
3	J6J0127	1	•Case, Cylinder	
4	J6J0036	1	•Rod, Boom Hoist Cylinder	
5	36J0094	1	•Ring, Back Up	KA
6	18C0053	1	•O-ring	KA
7	J6J0278	2	•Ring, Wear	KA
8	J6J0038	1	•Gland	
9	J6J0277	1	•Ring, Wear	KA
10	J6J0046	1	•Wiper, Rod	KA
11	J6J0047	1	•Seal, Double Lip	KA
12	J6J0048	1	•Seal	KA
13	22A0167	1	•Washer, Back Up	KA
14	22A0166	1	•O-ring	KA
15	E1J0228	2	•Bearing	
16	J6J0055	1	•Cartridge, Counterbalanc e	
	3J 14672	1	••Seal Kit	
17	E8J0149	1	•Cartridge, Counterbalanc eValve	
	3J 14672	1	••Seal Kit	
18	126009092	1	•Capscrew	
19	J6J0044	1	•Tube	
20	1X 3006	1	•Bushing	
21	1X 7772	1	•O-ring	KA
22	J6J0051	1	•Seal, Piston	KA
	3J 16457	1	•Seal Kit - All Items Marked KA	

Boom Hoist Cylinder & Lines

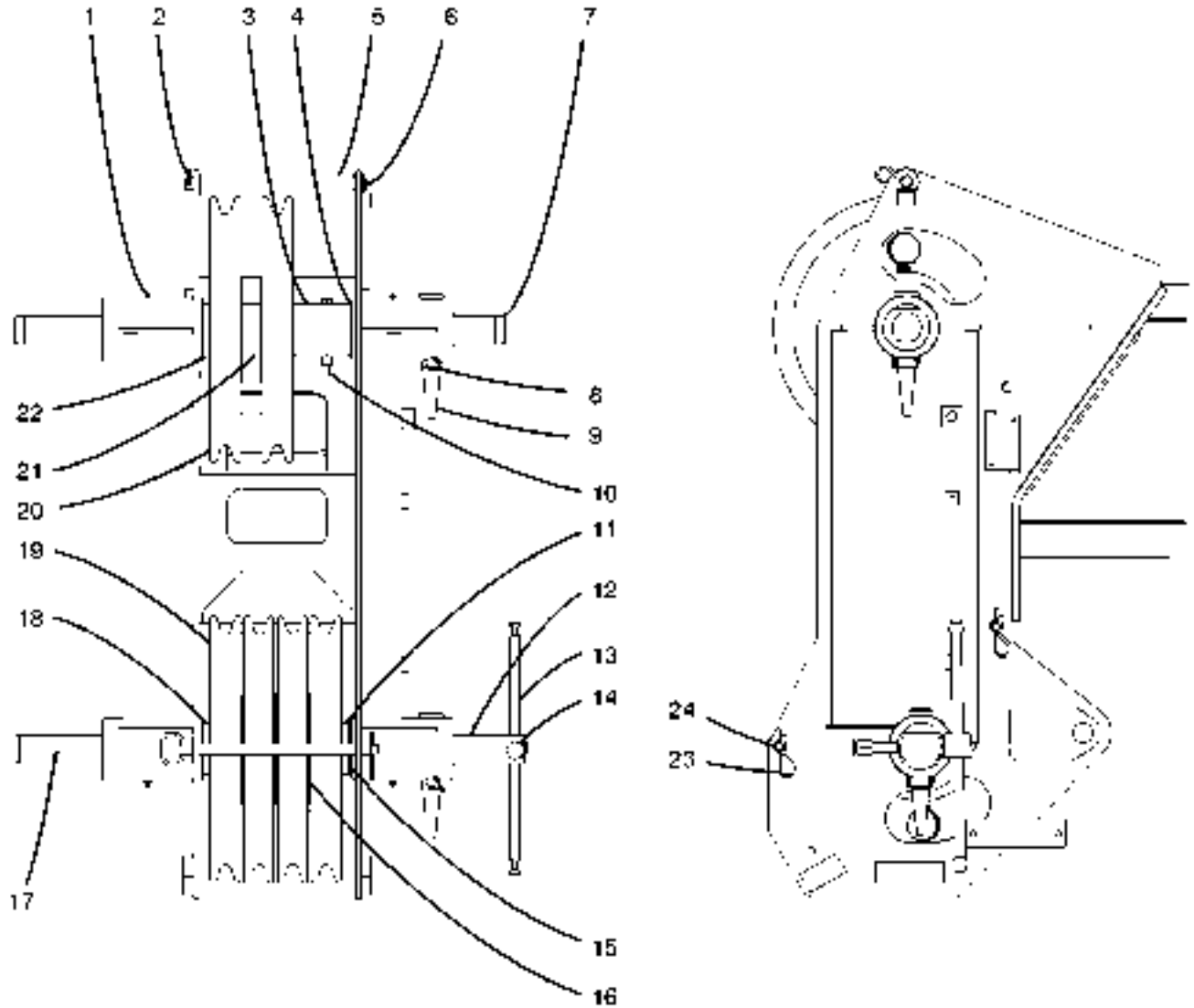


Parts List

0213

Boom Hoist Cylinder & Lines				
REF	PART NO.	QTY	DESCRIPTION	REMARKS
1	46J1235	1	Shaft	
	47J2177	1	Pin, Keeper	
	126009058	1	Capscrew	
	1X 0812	1	Fitting, Grease	
2	1X 7391	1	Elbow	
3	J6J0062	1	Tube Assy	
4	D6J0677	1	Plate	
	D6J0676	2	Cushion, Tube	
	126009008	2	Capscrew	
5	J6J0061	1	Tube Assy	
6	36J1131	1	Connector	
7	F7J0040	1	Hose Assy	
	16J0201	2	Flange, Split	
	20J0990	1	O-ring	
	126009014	4	Capscrew	
8	F7J0041	1	Hose Assy	
	16J0201	2	Flange, Split	
	20J0990	1	O-ring	
	126009014	4	Capscrew	
9	E1J0318	1	Shaft	
	1X 1800	1	Fitting, Grease	
10	1X 6097	2	Joint	
	16J0201	4	Flange, Split	
	20J0990	2	O-ring	
	126009014	8	Capscrew	
11	1X 7439	1	Connector	
12	REF	1	Boom Hoist Cylinder Assy - See Keysheet 17-003	
13	N3J0519	1	Fuse, Velocity	
14	126009026	2	Capscrew	
	128003006	2	Washer	
15	E9J0196	1	Bar	
	126009092	1	Capscrew	

4 Sheave Head Machinery

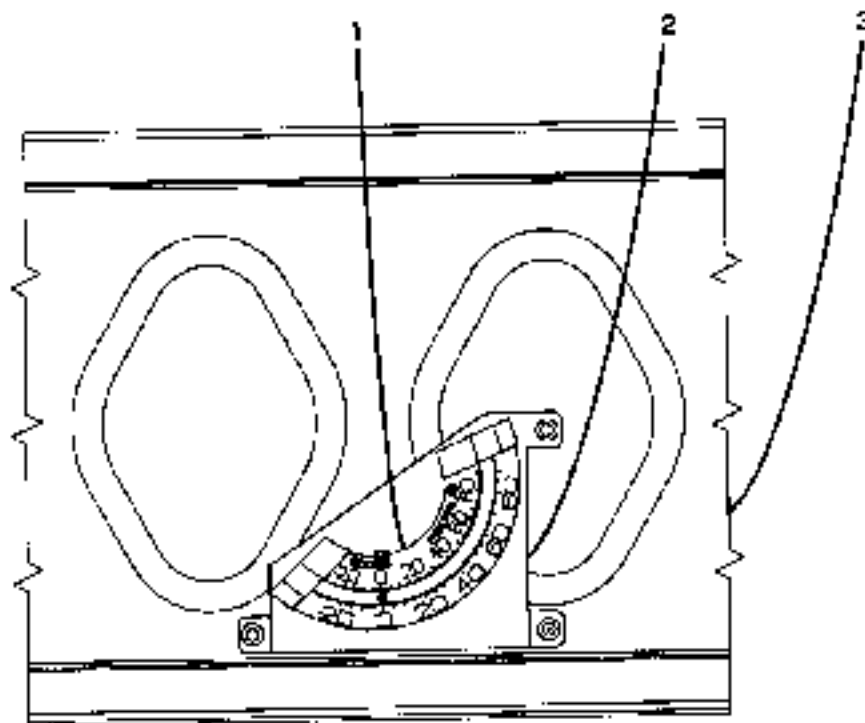


Parts List

1000

4 Sheave Head Machinery				
REF	PART NO.	QTY	DESCRIPTION	REMARKS
1	1X 0812	4	Fitting, Grease	
2	D6M0500	1	Pin, Hitch	
3	F7M0290	1	Spacer	
4	D6M0329	2	Shim	
5	F7M0288	1	Tube	
6	F7M0279	1	Pin	
7	E9M0055	1	Shaft, Top	
8	18M0818	2	Pin, Lock	
9	E9M0056	2	Pin	
10	126009040	1	Capscrew	
	127004005	1	Locknut	
11	F7M0269	1	Spacer	
12	D7M0209	1	Shaft, Bottom	
13	J6M0100	1	T-Handle	
14	D3M0222	1	Pad, Swivel	
15	D6M0329	2	Shim - AR	
16	D6M0329	3	Shim	
17	F7M0269	1	Spacer	
18	126009099	1	Capscrew	
19	F7M0374	4	Sheave Assy	
	F7M0376	1	Sheave, Nylon	
	GC 0225	2	Bearing, Ball	
	1X 3255	1	Fitting, Grease	
20	F7M0374	2	Sheave Assy	
	F7M0376	1	Sheave, Nylon	
	GC 0225	2	Bearing, Ball	
	1X 3255	1	Fitting, Grease	
21	F7M0291	1	Spacer	
22	F7M0289	1	Spacer	
23	D6M0500	2	Pin, Hitch	
24	38M0945	2	Pin, Hitch	

Boom Angle Indicator



REF	PART NO.	QTY	DESCRIPTION	REMARKS
1	F8M0022	1	Indicator, Boom Angle	
	1X 7905	2	Screw	
	1X 177B	2	Washer	
	1X 463B	2	Locknut	
2	F8M0030	1	Bracket	
	128009119	3	Capscrew	
	128003004	3	Washer	
3	REF		Base Section	

8 5 Ton Swivel Hookball

No Illustration Required

Parts List

0703

8.5 Ton Swivel Hookball

REF	PART NO.	QTY	DESCRIPTION	REMARKS
	46M0623	1	Hookball, 8.5 Ton Swivel	

60 Ton 4 Sheave Hook Block

No Illustration Required

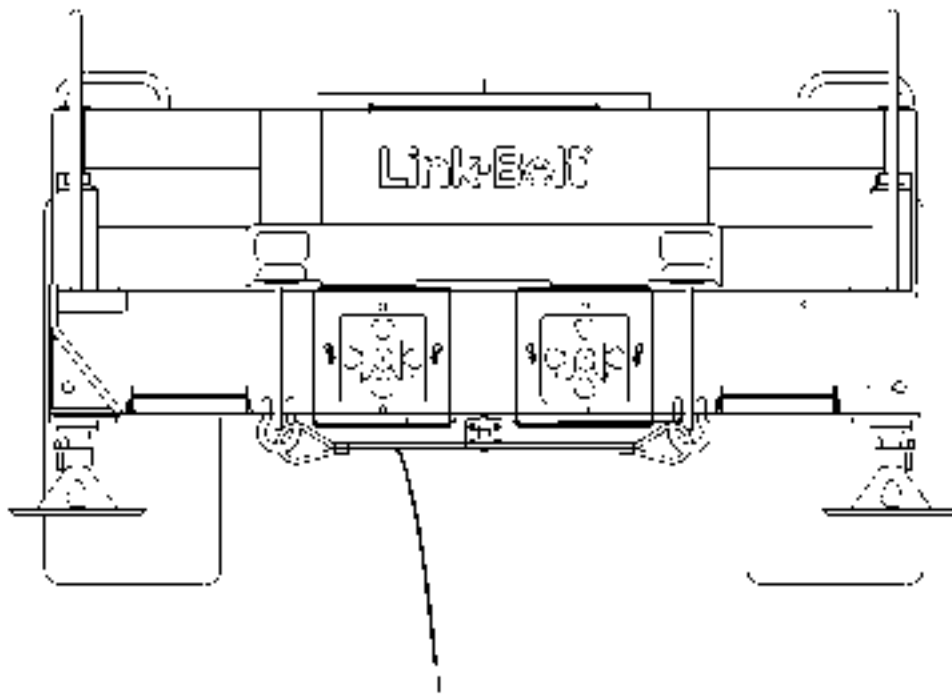
Parts List

0606

60 Ton 4 Sheave Hook Block

REF	PART NO.	QTY	DESCRIPTION	REMARKS
	E9M0084	1	Hook Block, 60 Ton 4 Sheave	

Hook Block Tie Back Cable Installation



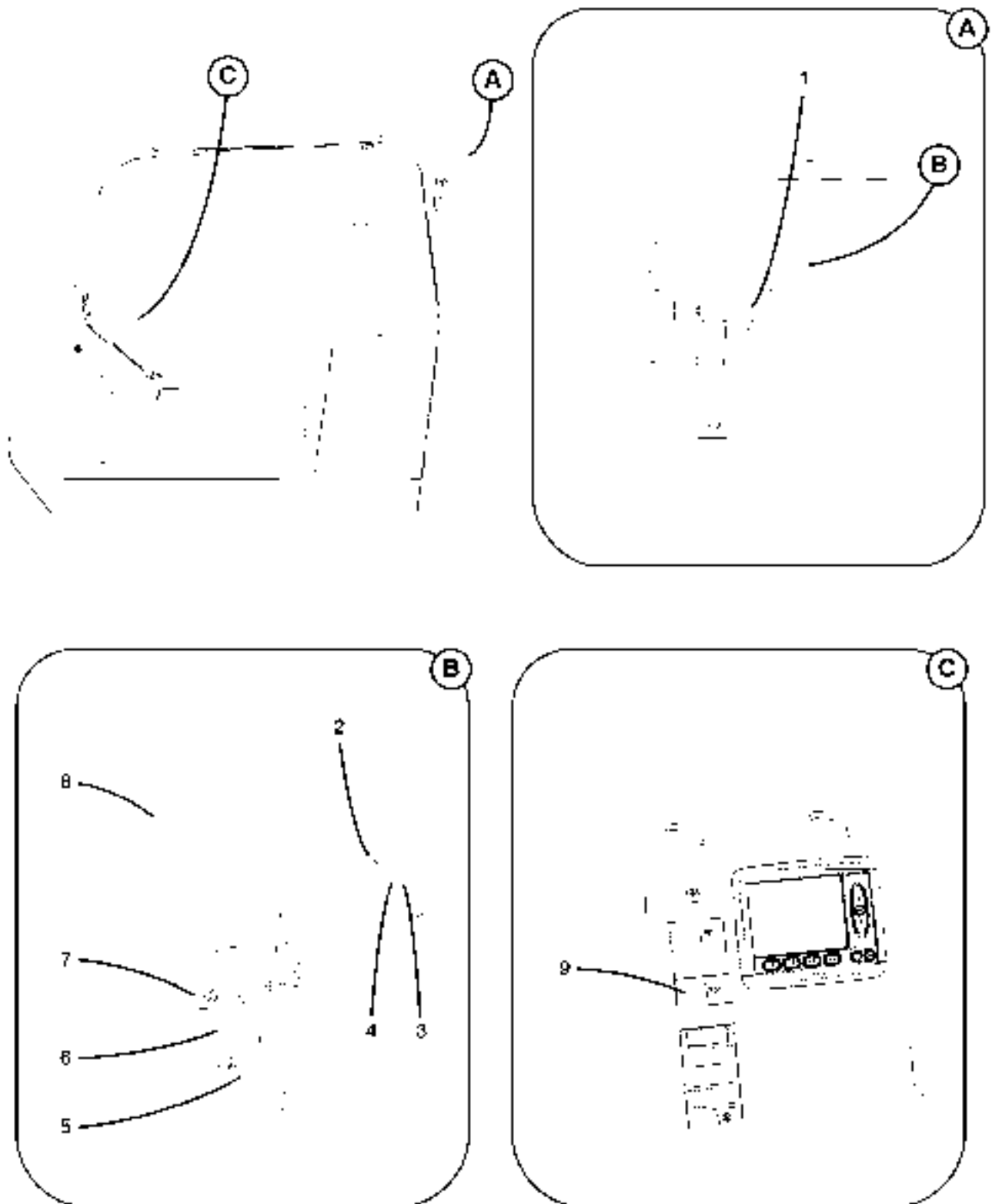
Parts List

0606

Hook Block Tie Back Cable Installation

REF	PART NO.	QTY	DESCRIPTION	REMARKS
1	J6A0198	1	Cable	

Upper Cab Strobe Light Installation



Parts List

0312

Upper Cab Strobe Light Installation

REF	PART NO.	QTY	DESCRIPTION	REMARKS
1	F6R0034	1	Relief, Strain	
	F6N0032	1	Washer	
2	1X 2817	1	Clamp	
	1X 7905	1	Screw	
3	156058001	1	Connector	
4	156059001	1	Connector	
	156062001	2	Sleeve, Terminal	
	156064001	2	Seal, Cable	
5	S2N0325	1	Sheet	
	S2R0055	1	Kit, Strobe Light	
6	S2R0069	1	Harness, Wire	
7	S2N0208	1	Bracket, Mounting	
8	S2R0071	1	Light, Strobe	
	3R 2015	1	Bulb	
	3R 2016	1	Lens, Amber	
9	28A5053	1	Switch	
	N3R0041	1	Lens, Rotating Beacon	

ATB Weight Assy

1

2

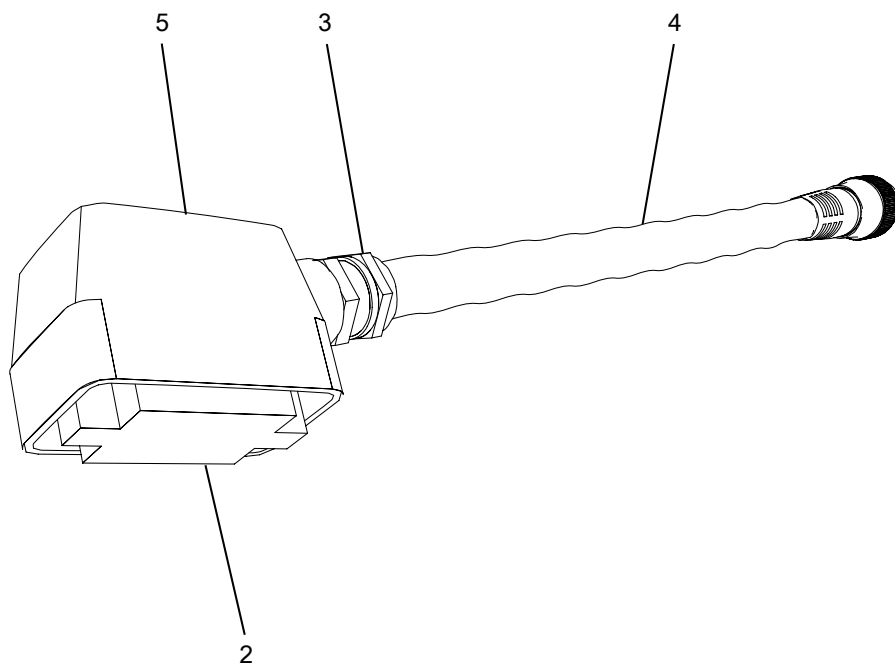
Parts List

0111

ATB Weight Assy				
REF	PART NO.	QTY	DESCRIPTION	REMARKS
1	S2L0025	1	ATB Weight & Chain S/A	NSS
	E6L0040	1	Shackle, Anchor	
2	S2L0004	1	ATB Weight & Chain Assy	

ATB Connector Plug S/A

1 - Includes items 2-5



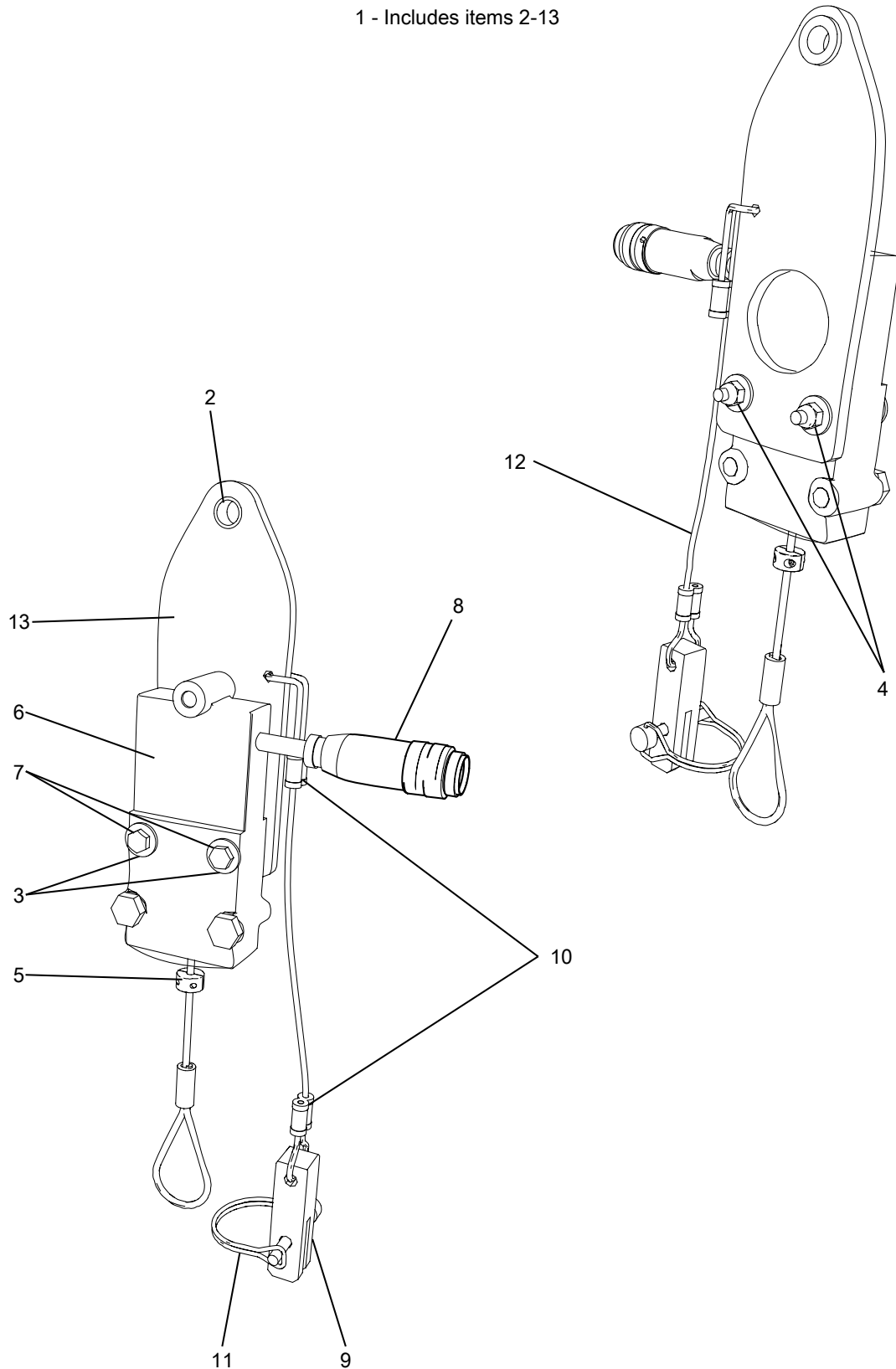
Parts List

1014

ATB Connector Plug S/A				
REF	PART NO.	QTY	DESCRIPTION	REMARKS
1	J8R0164	1	ATB Connector Plug S/A	NSS
2	J8L0024	1	•Terminal, ATB Plug	
3	E8L0035	1	•Relief, Metric Strain	
4	J8R0161	1	•Cable	
5	E8L0002	1	•Hood, ATB Plug	

ATB Switch S/A

1 - Includes items 2-13



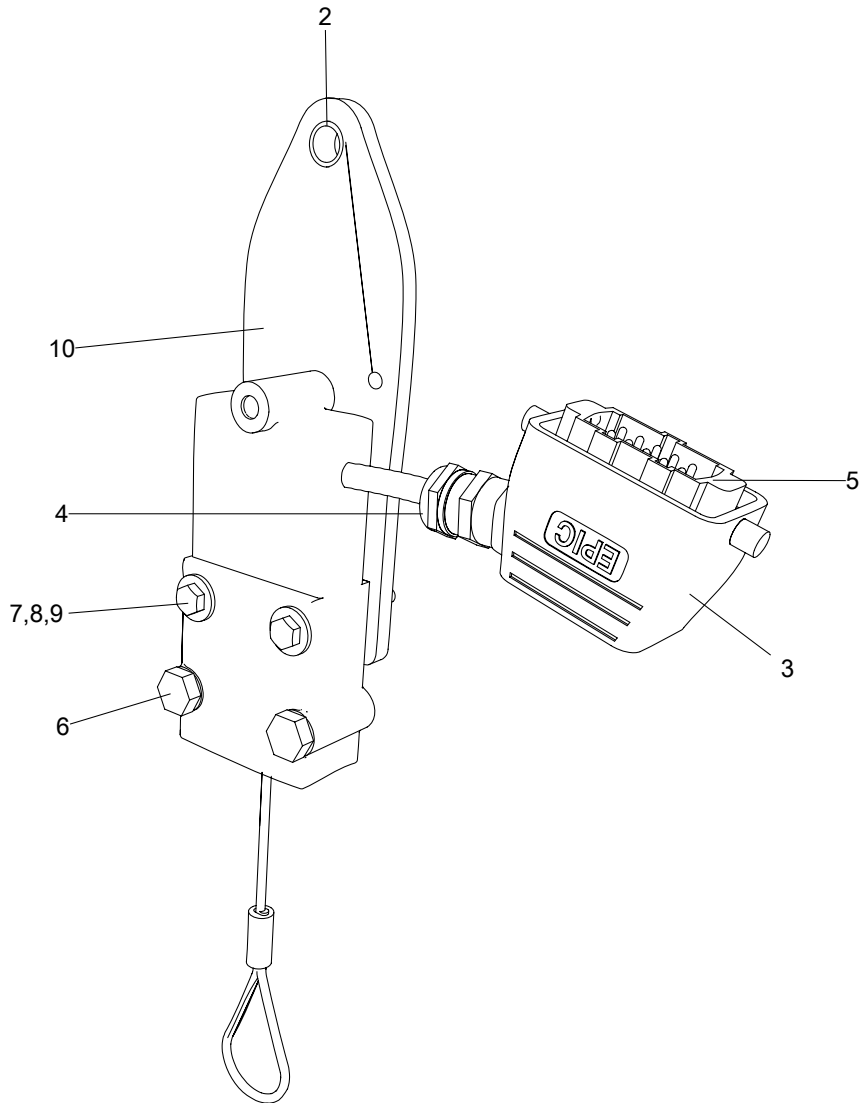
Parts List

1017

ATB Switch S/A				
REF	PART NO.	QTY	DESCRIPTION	REMARKS
1	N4L0007	1	ATB Switch S/A	NSS
2	S2L0046	1	•Bushing, Bronze	
3	128003001	4	•Washer	
4	127004001	2	•Locknut	
5	S2L0047	1	•Collar, Shaft	
6	S2L0027	1	•Switch, ATB	
7	126009009	2	•Capscrew	
8	N4R0216	1	•Connector	
9	S2L0039	1	•Lockout, ATB	
10	46M0424	2	•Loopsleeve	
11	76A0833	1	•Pin, Snap Lock	
12	990701001	1	•Rope, Aircord Wire - 1.25'	
13	S2L0056	1	•Plate	

ATB Switch S/A

1 - Includes items 2-10

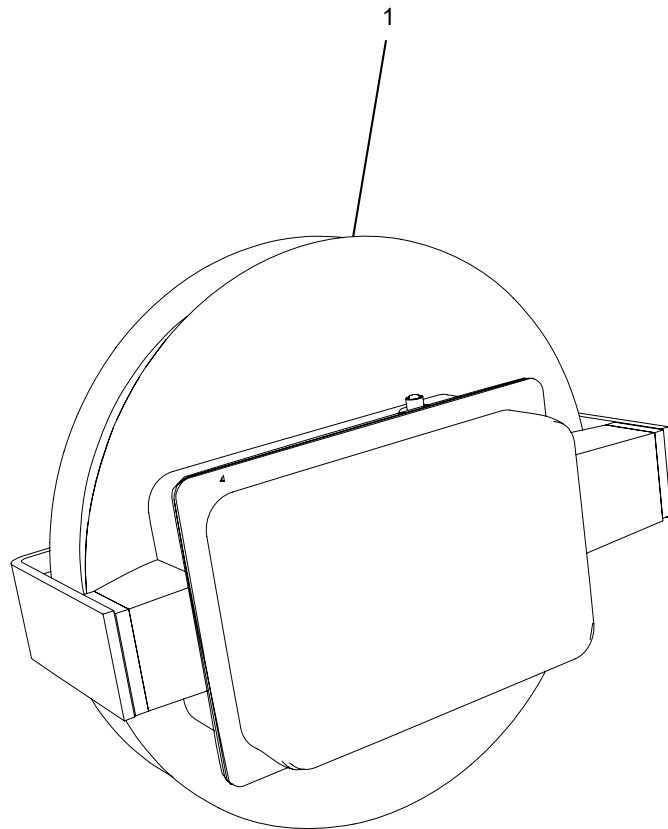


Parts List

1017

ATB Switch S/A				
REF	PART NO.	QTY	DESCRIPTION	REMARKS
1	S2L0037	1	ATB Switch S/A	NSS
2	S2L0046	1	•Bushing, Bronze	
3	E8L0002	1	•Hood, ATB Plug	
4	E8L0035	1	•Relief, Metric Strain	
5	J8L0024	1	•Terminal, ATB Plug	
6	S2L0027	1	•Switch, ATB	
7	126009009	2	•Capscrew	
8	128003001	4	•Washer	
9	127004001	2	•Locknut	
10	S2L0056	1	•Plate	

Boom Length & ATB Reel Assy

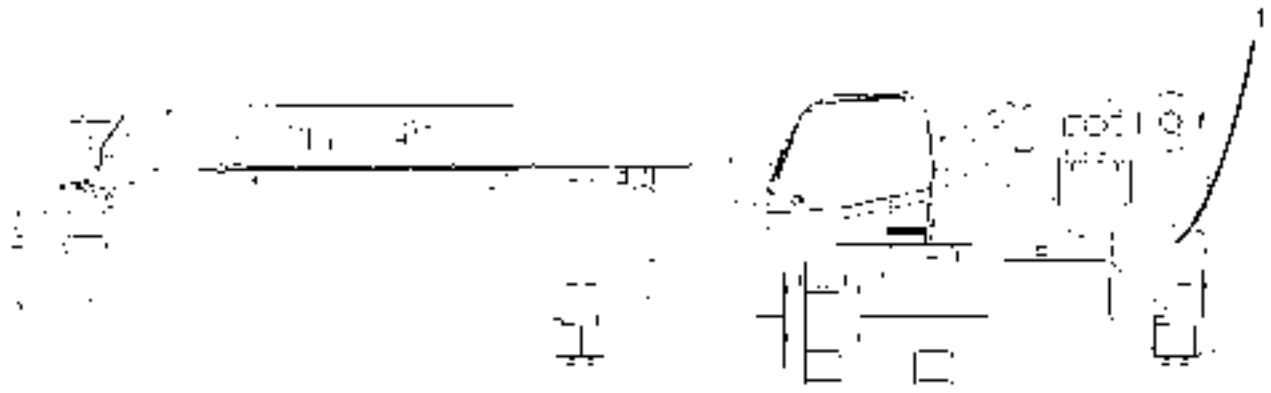


Parts List

1017

Boom Length & ATB Reel Assy				
REF	PART NO.	QTY	DESCRIPTION	REMARKS
1	J9L0036 F1	1	Boom Length & ATB Reel Assy Note: Parts Breakdown Unavailable At Time Of Publication. Complete Parts Breakdown To Follow With Later Revision.	F1

Crane Rating Manual & ID Label



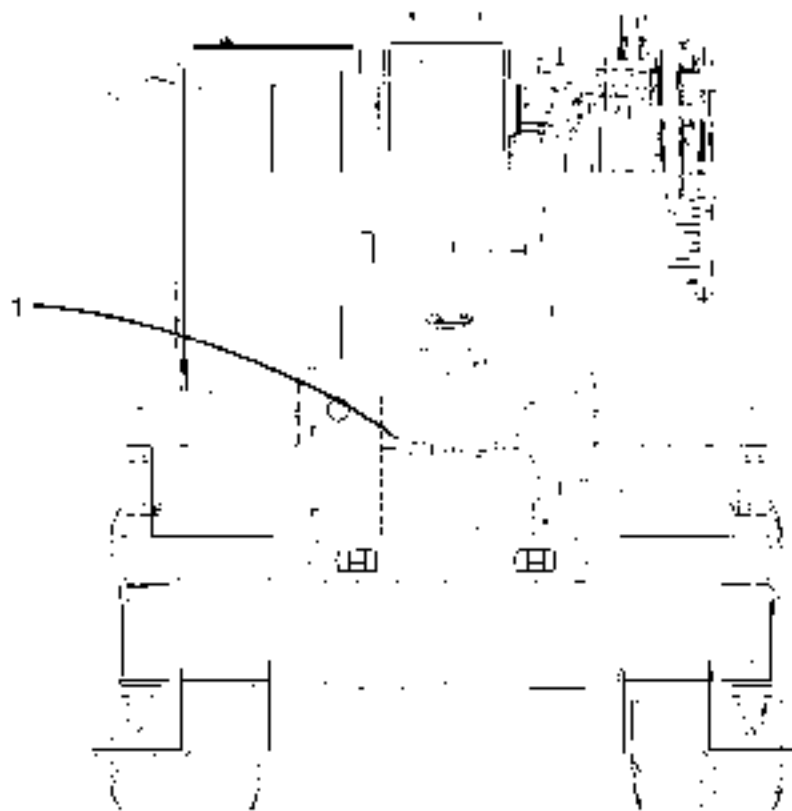
Parts List

0407

Crane Rating Manual & ID Label

REF	PART NO.	QTY	DESCRIPTION	REMARKS
1	J6P0086	2	Label, RTC-8050	
	J6P0079	2	Label, RTC-8050 - Black	
	J6P0082	2	Label, RTC-8049	
	J6P0069	2	Label, RTC-8045	
	F7P0187	2	Label, RTC-8040	
	F2P0330	2	Label, XL	
	REF	1	Manual, Crane Rating - Not Shown - Located In Cab	

Link Bell Grille Label

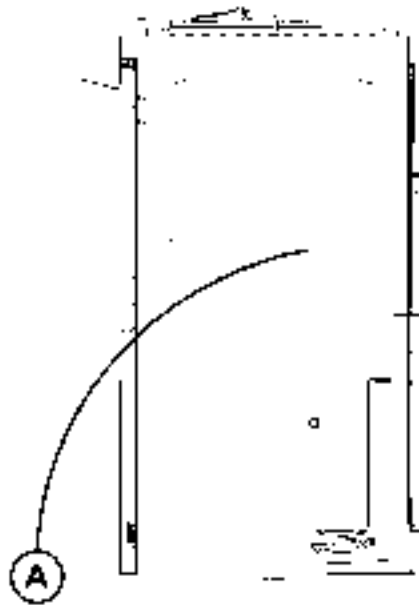


Parts List

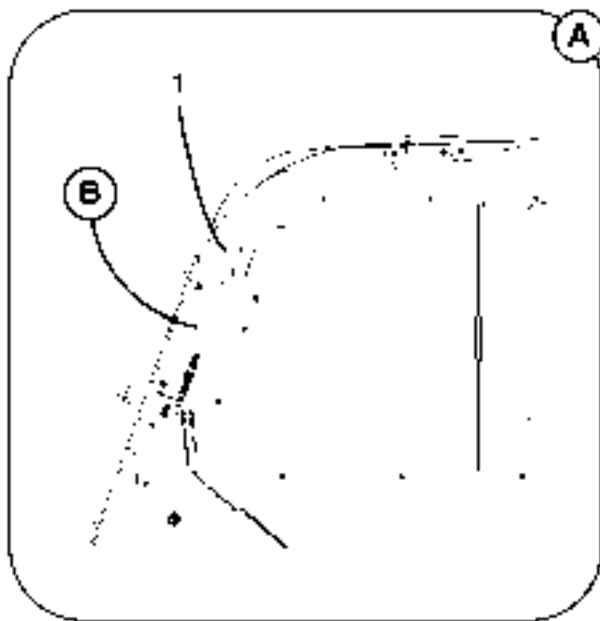
0409

Link Bell Grille Label				
REF	PART NO.	QTY	DESCRIPTION	REMARKS
1	P9P0145	1	Plate, Link-Bell Logo	

RCL Bar Graph Installation



Upper Cab - Back View

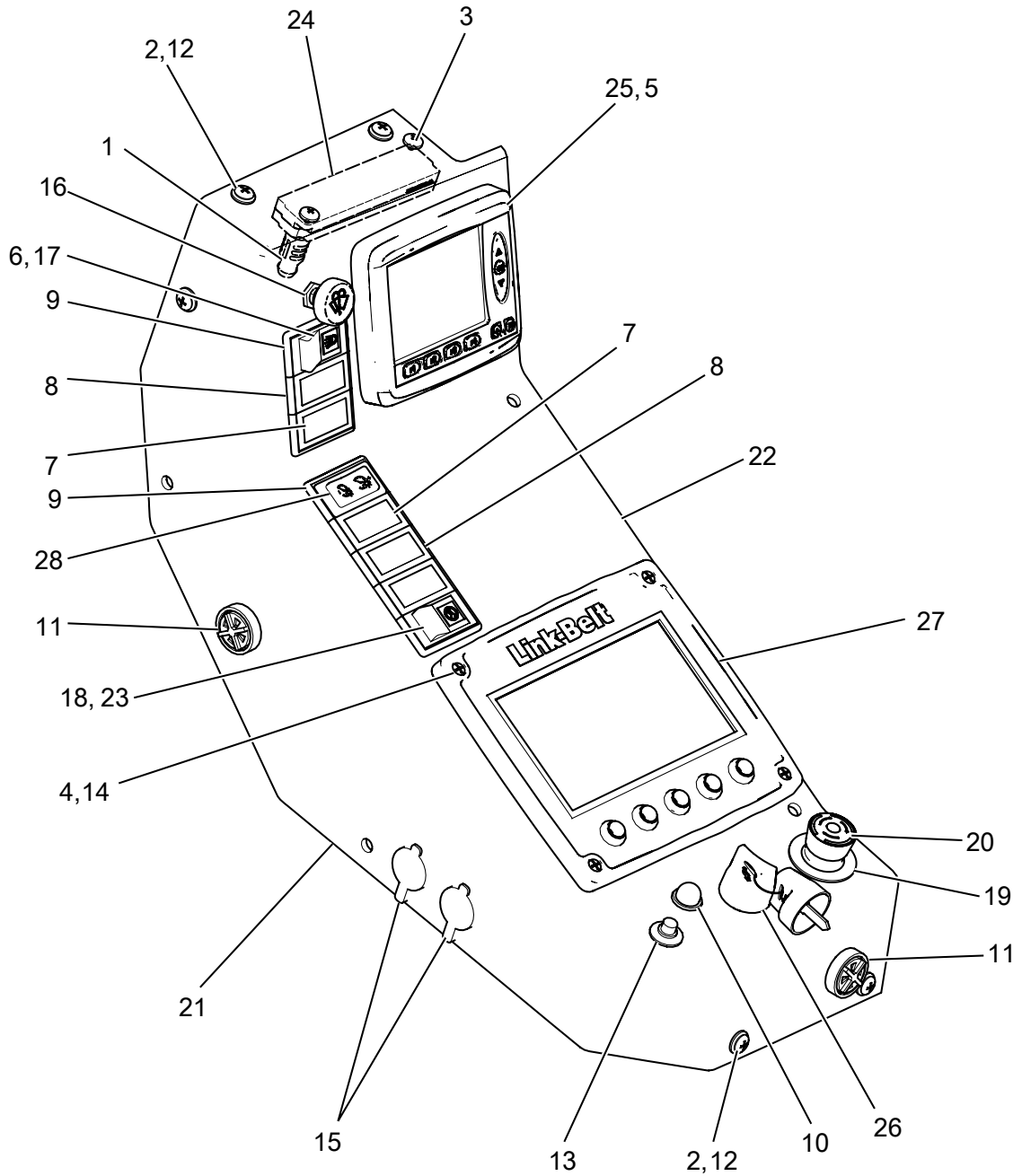


Parts List

0312

RCL Bar Graph Installation				
REF	PART NO.	QTY	DESCRIPTION	REMARKS
1	N4L0010	1	Can Bus, RCL Bar Graph	
2	J8R0244	1	Splitter W/Cord	

RCL Display

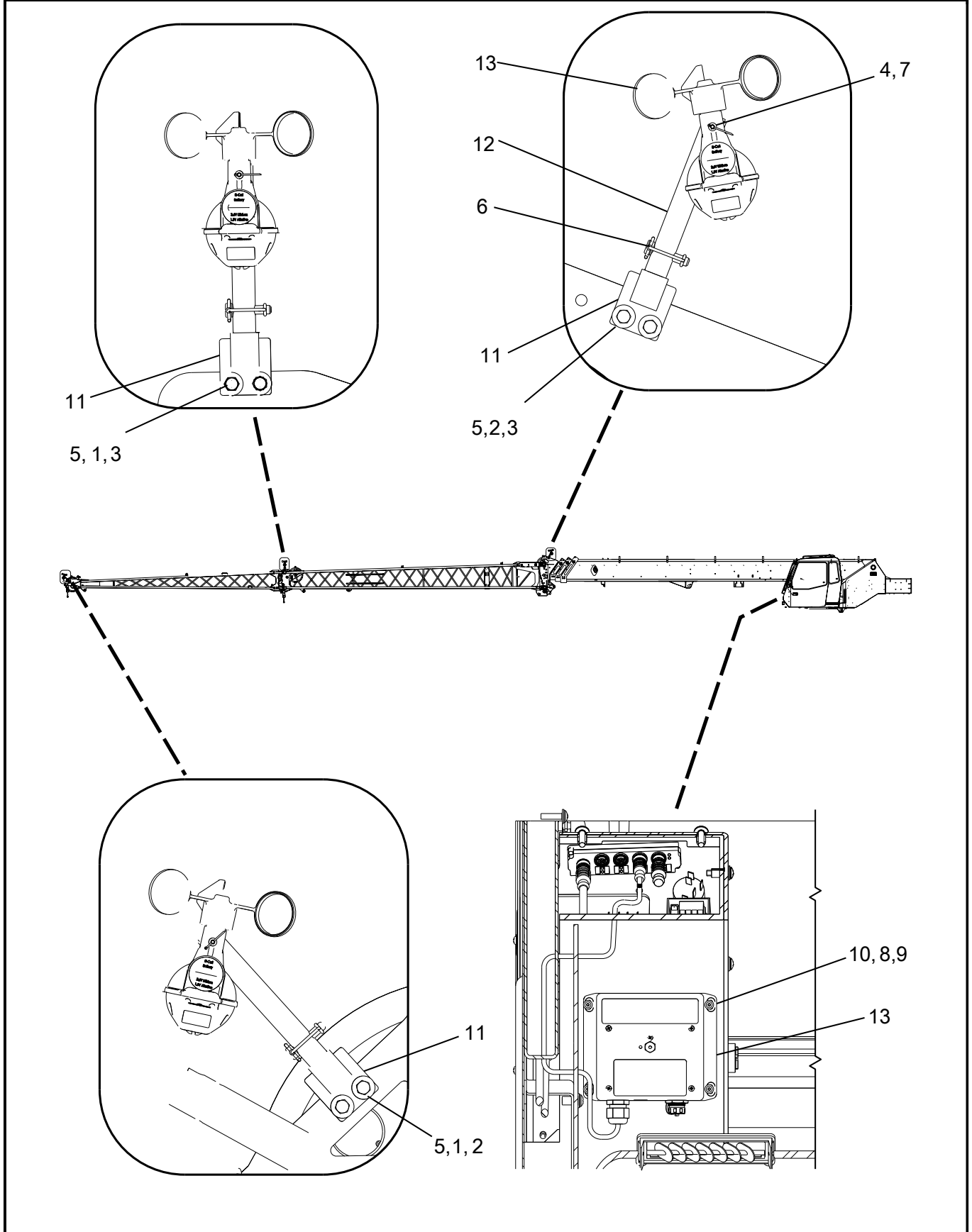


Parts List

1216

RCL Display				
REF	PART NO.	QTY	DESCRIPTION	REMARKS
	N4N0156	1	RCL Display Assy	
1	155556001	1	•Terminating Resistor	
2	1X 6044	5	•Screw	
3	1X 7797	2	•Screw	
4	1X 8117	4	•Screw	
5	1X 8392	4	•Screw	
6	28A5050	1	•Switch, Rocker	
7	28A5060	5	•Cover, Switch	
8	28A5061	4	•Housing, Switch Intermediate	
9	28A5062	4	•Housing, Switch End	
10	57R0023	1	•Light, Indicator	
	3R 1781	1	••Lens, Blue	
	3A 23045	1	••Lamp	
11	D3R0081	2	•Alarm, Audio	
12	D6N0109	5	•Insert, Threaded	
13	F2R0025	1	•Button, Horn	
14	F7N0030	4	•Insert, Threaded	
15	F7R0058	2	•Outlet, 12 Volt	
16	N3N0290	1	•Switch, Wiper/Washer	
17	N3R0039	1	•Lens, Upper Light	
18	N3R0070	1	•Switch	
19	N3R0355	1	•Label, Emergency Stop	
20	N3R0536	1	•Switch, Emergency Stop	
21	N4N0104	1	•Panel, Bottom	
22	N4N0154	1	•Panel, Top	
23	N4R0241	1	•Lens, Function Lockout	
24	N4R0243	1	•Box, Junction	
25	R8R0013	1	•Display	
26	S1R0054	1	•Switch, Ignition	
	3R 2034	1	••2 Keys & 1 Key Ring	
27	S2R0004	1	•Display, RCL	
28	S2R0464	1	•Dimmer Switch	

Wireless Wind Speed System Installation

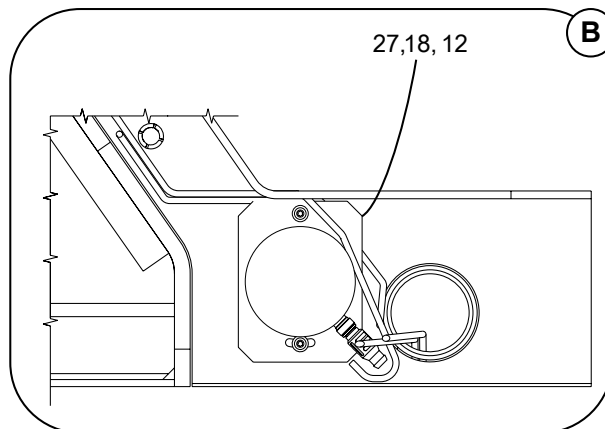
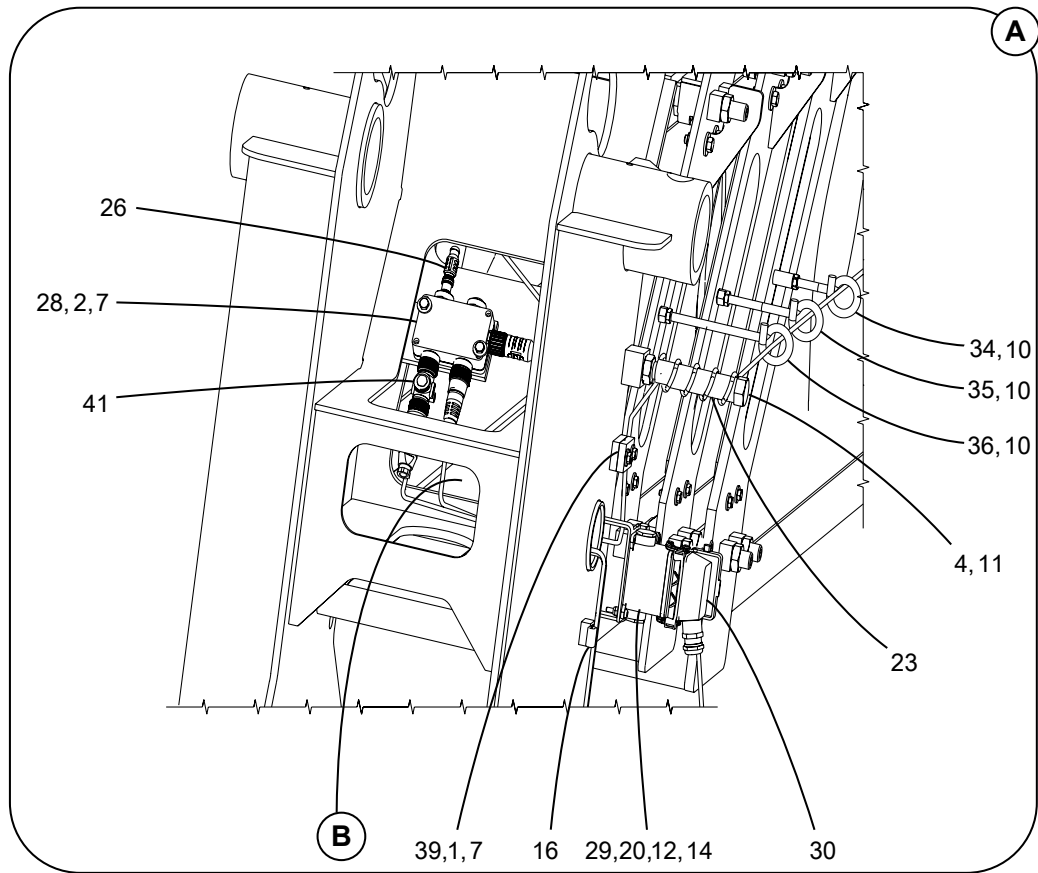
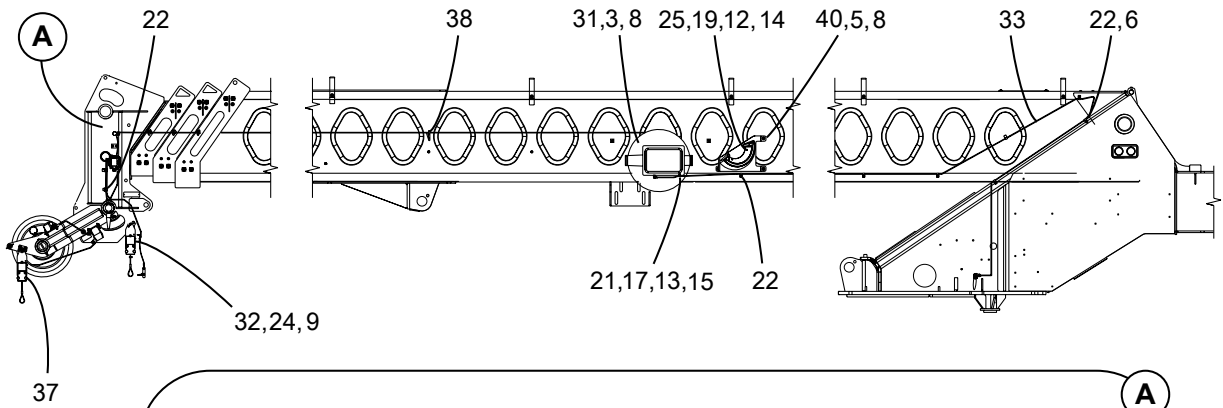


Parts List

0716

Wireless Wind Speed System Installation				
REF	PART NO.	QTY	DESCRIPTION	REMARKS
1	126009014	4	Capscrew	
2	126009100	2	Capscrew	
3	127004003	6	Locknut	
4	128002003	1	Washer	
5	128003004	12	Washer	
6	18M0818	1	Pin, Lock	
7	1X 1081	1	Pin, Cotter	
8	1X 2937	4	Washer	
9	1X 7117	4	Capscrew	
10	1X 8556	4	Insert, Threaded	
11	T6L0009	3	Wind Speed Indicator Bracket	
12	T6L0022	1	Wind Speed Support	
13	T6L0006	1	Wireless Wind Speed Kit - See 18-013-555.00	

RCL System & Boom Angle Indicator Installation



Parts List

1017

RCL System & Boom Angle Indicator Installation				
REF	PART NO.	QTY	DESCRIPTION	REMARKS
1	126009002	2	Capscrew	
2	126009006	2	Capscrew	
3	126009014	3	Capscrew	
4	126009071	1	Capscrew	
5	126009119	3	Capscrew	
6	127004003	2	Locknut	
7	128003001	4	Washer	
8	128003004	6	Washer	
9	128003006	1	Washer	
10	1X 0182	4	Nut, Jam	
11	1X 0185	1	Nut, Jam	
12	1X 1776	6	Washer	
13	1X 4438	2	Washer	
14	1X 4638	4	Locknut	
15	1X 5064	1	Locknut	
16	1X 7821	1	Clamp	
17	1X 7902	1	Screw, Machine	
18	1X 7904	2	Screw, Machine	
19	1X 7905	2	Screw, Machine	
20	1X 7906	2	Screw, Machine	
21	36L0067	1	Clamp	
22	39J0218	9	Clamp	
23	822001004	1	Hose	0.42'
24	D3A0107	1	Pin, Hair	
25	F8M0022	1	Indicator, Boom Angle	
26	J6R0095	1	Cable	
27	J8L0004	1	Sensor, Angle	
28	J8L0031	1	Box, Junction	
29	J8L0035	1	Connector, ATB Jumper	
30	J8R0164	1	ATB Connector Plug S/A - See 18-007-278.00	NSS
31	J9L0036	1	Boom Length & ATB Reel Assy - See 18-007-308.00	
32	N4L0007	1	ATB Switch S/A - See 18-007-279.00	NSS
33	N4R0218	1	Cable, DeviceNet	
34	R3L0006	1	Eyebolt	
35	R3L0008	1	Eyebolt	

Parts List

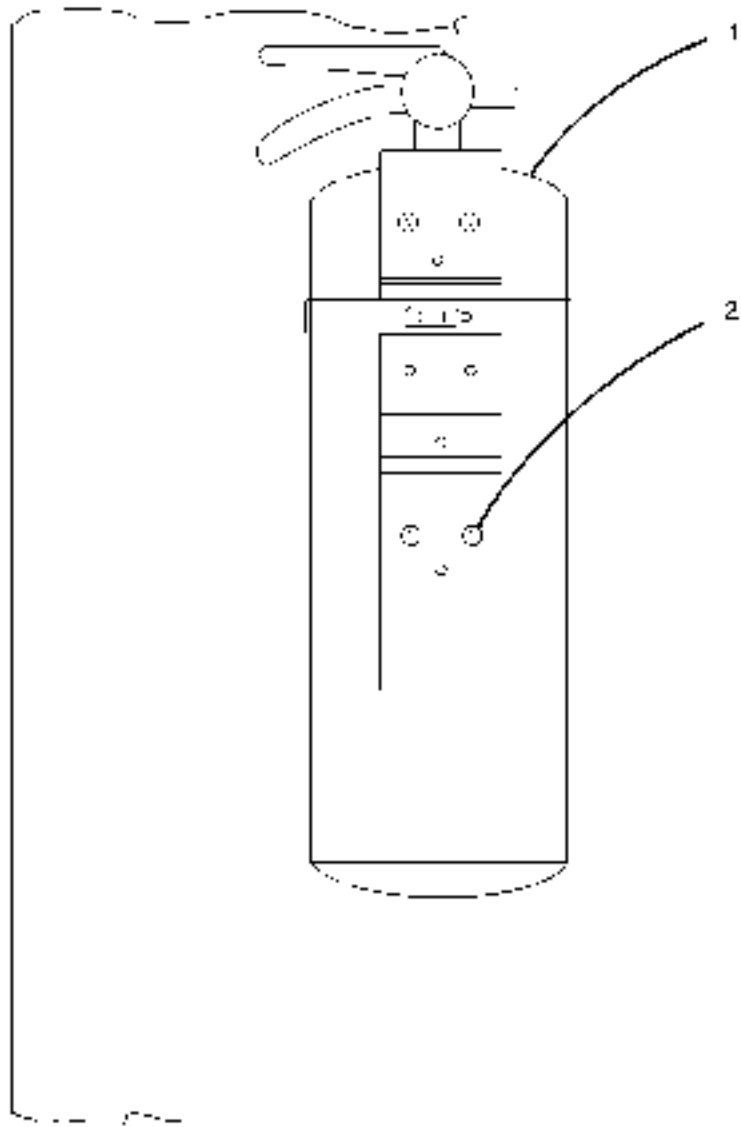
1017

RCL System & Boom Angle Indicator Installation				
REF	PART NO.	QTY	DESCRIPTION	REMARKS
36	R3L0009	1	Eyebolt	
37	S2L0037	1	ATB Switch S/A - See 18-007-280.00	NSS
38	S2L0048	1	Eyebolt	
39	S2M1789	1	Plate	
40	S2M1381	1	Bracket	
41	S2R0190	1	Tee	

RCL System & Boom Angle Indicator Installation

Notes:

Fire Extinguisher



Parts List

1103

Fire Extinguisher				
REF	PART NO.	QTY	DESCRIPTION	REMARKS
1	47P0071	1	Extinguisher, Fire - With Bracket	
2	1X 0621	4	Screw, Round Head - #10 x .38" Lg	
	1X 3498	4	Nut - #10	
	1X 0625	4	Screw, Round Head - #10 x 1.25" Lg	
	38J1062	4	Spacer - .25" ID x 1" Lg	
	1X 3498	4	Nut - #10	
	1X 2730	4	Screw, Phillips Head - #10 x .5" Lg	
	1X 3317	4	Screw, Hex Head - #8 x .5" Lg	
	1X 4410	4	Rivet, Pop - .19" x .440"	
	1X 4135	4	Rivet, Pop - .19" x .690"	
	1X 8111	4	Screw, Flat Head #8 x .75" Lg	
	1X 7820	4	Screw, Button Head #10 x .38" Lg	
	1X 3496	4	Nut #10	
	1X 6044	2	Screw, Pan .25" x 1.0" Lg	
	1X 5814	2	Screw, Pan - .25" x .62" Lg	
<p>Note: There are a number of hardware options to mount the fire extinguisher. Match what was originally on the crane.</p>				

Boom Wrench

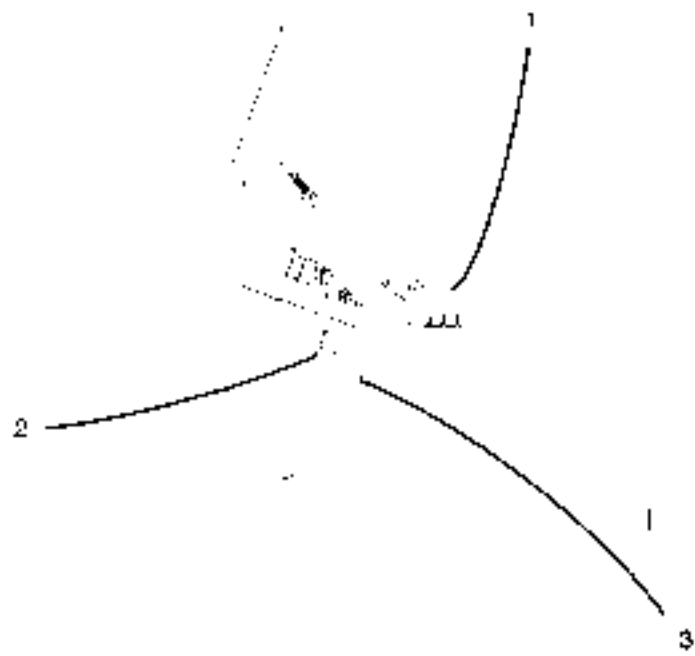
No Illustration Required

Parts List

0710

Boom Wrench				
REF	PART NO.	QTY	DESCRIPTION	REMARKS
	D7M0199	1	Wrench, Crowfoot - 2'	

Key Ring & Crane Rating Manual Installation



Parts List

0609

Key Ring & Crane Rating Manual Installation

REF	PART NO.	QTY	DESCRIPTION	REMARKS
1	E6N0052	1	Ring, Key	
2	D6A0750	2	Rivet	
3	REF		Crane Rating Manual Cable	

Filter Kit

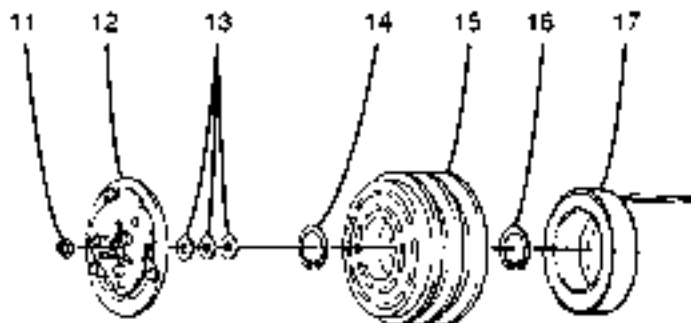
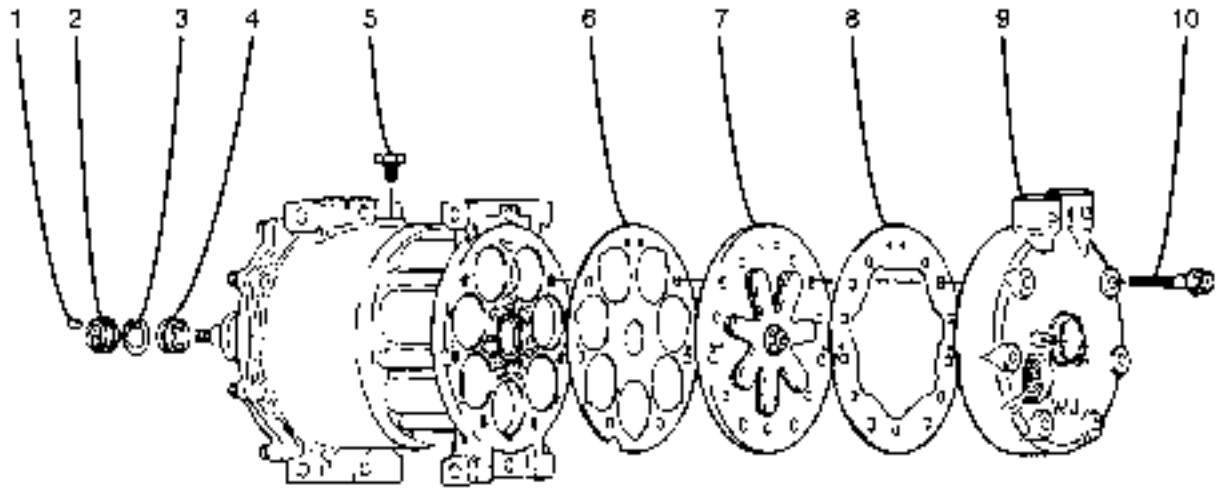
No Illustration Required

Parts List

0313

Filter Kit				
REF	PART NO.	QTY	DESCRIPTION	REMARKS
	N4A0825	1	Kit, Filter	
	R8H0291	1	Filter, Primary Fuel	
	R8H0292	1	Filter, Secondary Fuel	
	71A1280	1	Element, Primary Air Filter	
	71A1281	1	Element, Air Filter Safety	
	S2H0172	1	Filter, Engine Oil	
	D7J0148	1	Element, Low Pressure Hydraulic Tank Filter	
	J8A0231	1	Element, Transmission Filter	

Compressor Assy

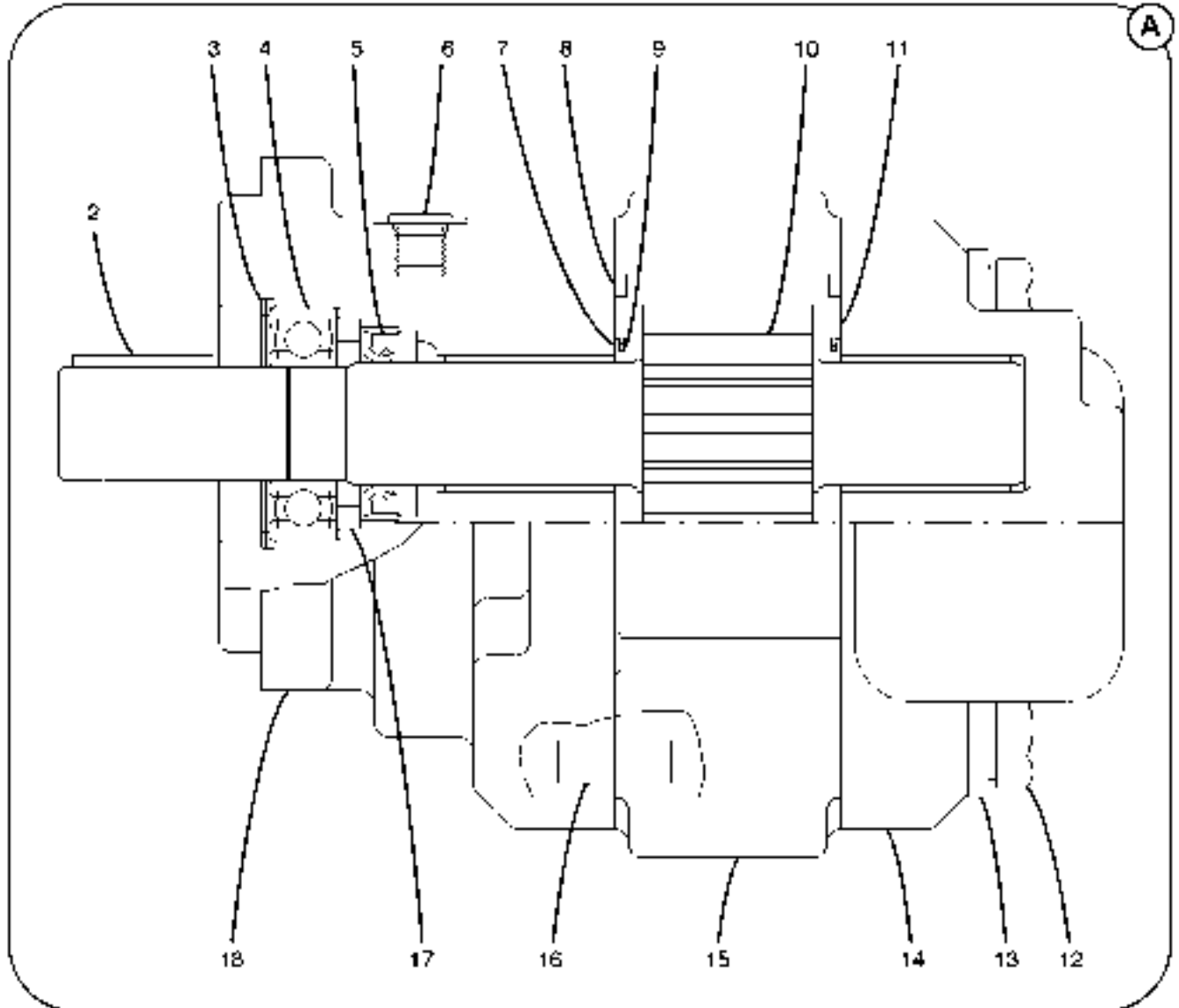
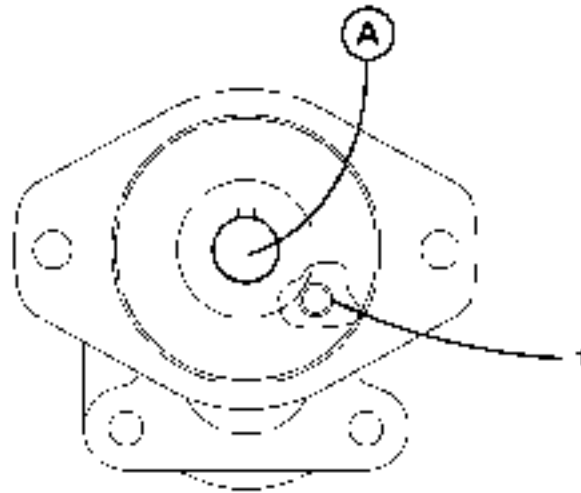


Parts List

0301

Compressor Assy				
REF	PART NO.	QTY	DESCRIPTION	REMARKS
	E8J0196	1	Compressor Assy	
1	REF	1	Key, Shaft	NSS, KD
2	REF	1	Ring, Felt	NSS, KE
3	REF	1	Ring, Snap	NSS, KE
4	REF	1	Seal, Lip	NSS, KE
5	REF	1	Plug, Oil	NSS
6	REF	1	Gasket, Block	NSS, KF, KG
7	REF	1	Plate, Valve	NSS, KF
8	REF	1	Gasket, Head	NSS, KA, KF, KG
9	REF	1	Head, Cylinder	NSS, KA
10	REF	5	Bolt, Cylinder Head	NSS
11	REF	1	Nut, Shaft	NSS, KB, KD
12	REF	1	Plate, Armature	NSS, KB, KC
13	REF	3	Shim	NSS, KB, KD
14	REF	1	Ring, Snap	NSS, KB, KD
15	REF	1	Rotor	NSS, KB, KC
16	REF	1	Ring, Snap	NSS, KB, KD
17	3A 22957	1	Coil, Field	NSS, KB
	3A 22954	1	Kit, Cylinder Head - All Items Marked KA	
	3A 22955	1	Kit, Clutch - All Items Marked KB	
	3A 22956	1	Kit, Armature & Rotor - All Items Marked KC	
	3A 22958	1	Kit, Accessory - All Items Marked KD	
	3A 22959	1	Kit, Shaft Seal - All Items Marked KE	
	3A 22960	1	Kit, Valve Plate - All Items Marked KF	
	3A 22961	1	Kit, Gasket - All Items Marked KG	

Gear Motor Assy

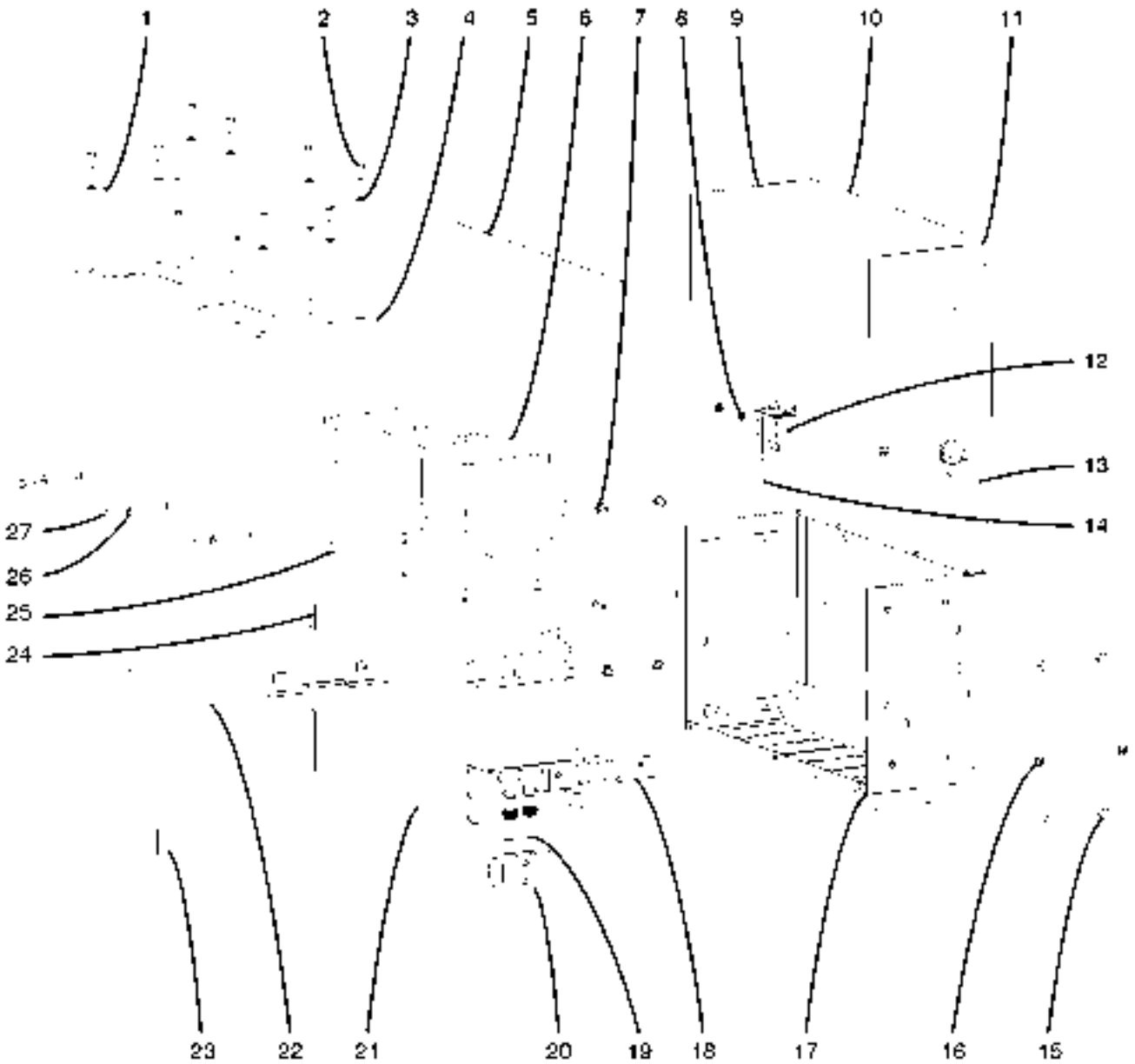


Parts List

0504

Gear Motor Assy				
REF	PART NO.	QTY	DESCRIPTION	REMARKS
	N3J0285	1	Gear Motor Assy	
1	3J 0754	2	Check Assy	
2	3J 13399	1	Key	
3	3A 12380	1	Ring, Snap	
4	3A 12379	1	Bearing, Ball	
5	3J 9087	1	Seal, Lip	
6	3J 6865	1	Plug	
7	3J 13396	4	Seal, End	
8	3J 13394	2	Seal, Square Ring	
9	3J 13398	2	Seal, Back Up	
	3J 13395	4	Seal, Side	
10	3J 17266	1	Set, Gear Shaft	
11	3J 13397	2	Plate, Thrust	
12	3J 4031	4	Capscrew	
13	3J 0764	4	Washer	
14	3J 17270	1	Housing, Port End	
15	3J 17269	1	Housing, Gear	
16	3J 2266	4	Pin, Dowel	
17	3J 9086	1	Retainer, Seal	
18	3J 17271	1	Housing, Shaft End	

Upper Heater & Evaporator Assy

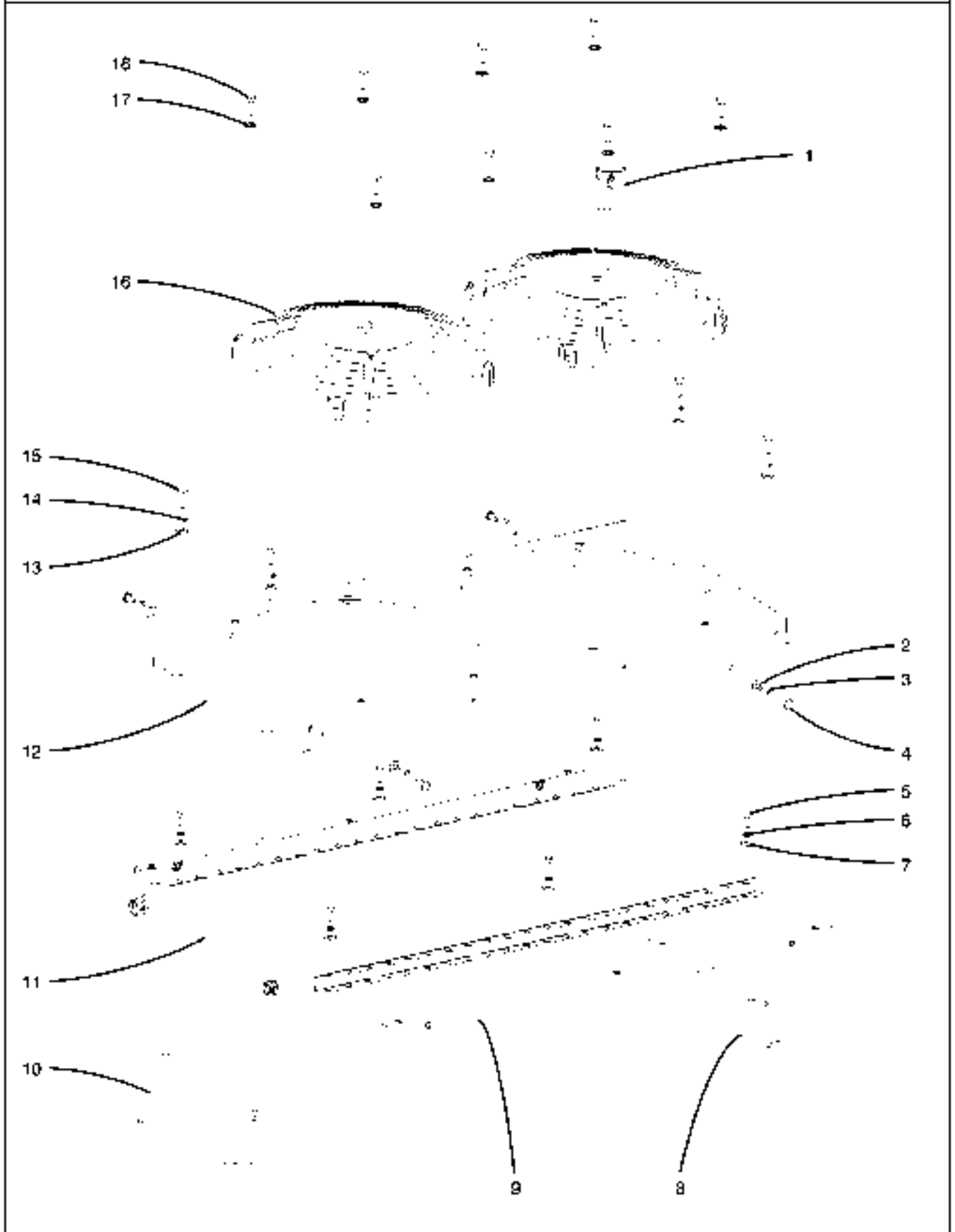


Parts List

0208

Upper Heater & Evaporator Assy				
REF	PART NO.	QTY	DESCRIPTION	REMARKS
	N3ND126	1	Heater & Evaporator Assy	
1	3N 1241	5	Nut	
2	3J 17221	8	Screw	
3	3J 17220	8	Washer	
4	3N 1244	1	Housing	
5	3N 1249	1	Foam	
6	3N 1236	1	Blower	
7	3N 1243	4	Capscrew	
8	3N 1240	2	Nut	
9	3N 1248	1	Foam	
10	3N 1249	1	Foam	
11	3N 1248	1	Foam	
12	3N 1238	1	Switch, Thermostat	
13	3N 1232	1	Harness, Wire	
14	3N 1251	1	Tubing - 12"	
15	3N 1243	4	Capscrew	
16	3N 1239	4	Screw	
17	3N 1246	1	Housing	
18	3N 1245	2	Bracket	
19	3N 1235	2	O-ring	
20	3N 1237	1	Block, Valve	
21	3N 1234	1	Coil, Evaporator	
22	3N 1247	1	Foam	
23	3N 1250	1	Foam	
24	3N 1233	1	Coil, Evaporator	
25	3N 1242	5	Screw	
26	3J 17220	3	Washer	
27	3J 17221	3	Screw	
	3N 1254	1	Bag, Parts - Not Shown	
	3N 1255	1	Hose, Drain - 72" - Not Shown	
	3N 1256	2	Valve, Condensate - Not Shown	
	3N 1257	2	Fitting - Not Shown	

Condenser Assy

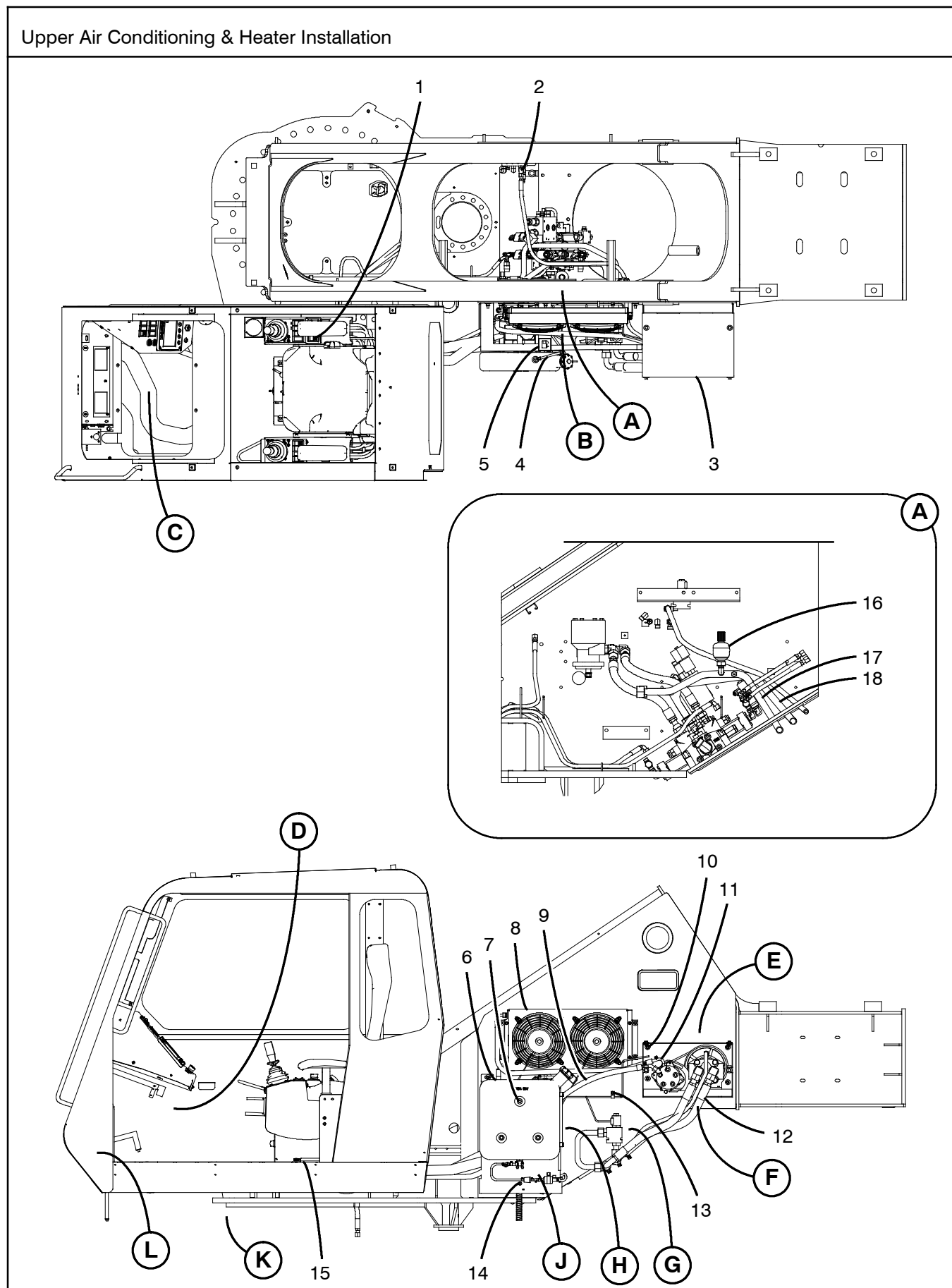


Parts List

0513

Condenser Assy				
REF	PART NO.	QTY	DESCRIPTION	REMARKS
1	N3J0453	1	Condenser Assy	
	155149001	1	Connector, 4 Way	
	155134001	1	Lock Secondary	
	155100001	4	Terminal	
	155064005	4	Seal, Cable	
2	3J 17220	4	Washer	
3	3J 17219	4	Washer, Split	
4	3J 17429	4	Capcrew	
5	3J 17430	6	Capcrew	
6	3J 17431	6	Lockwasher	
7	3J 17432	6	Washer	
8	3J 17223	1	Bracket	
9	3J 17433	2	Bracket	
10	3J 17224	1	Bracket	
11	3J 17426	1	Coil	
12	3J 17434	1	Bracket	
13	3J 17220	4	Washer	
14	3J 17219	4	Washer, Split	
15	3J 17221	4	Capcrew	
16	3J 17425	2	Fan	
17	3J 17222	8	Lockwasher	
18	3J 17221	8	Capcrew	

Upper Air Conditioning & Heater Installation

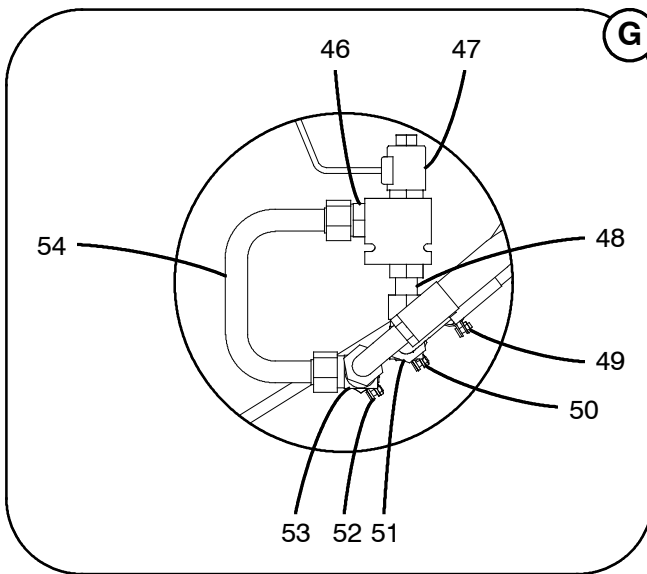
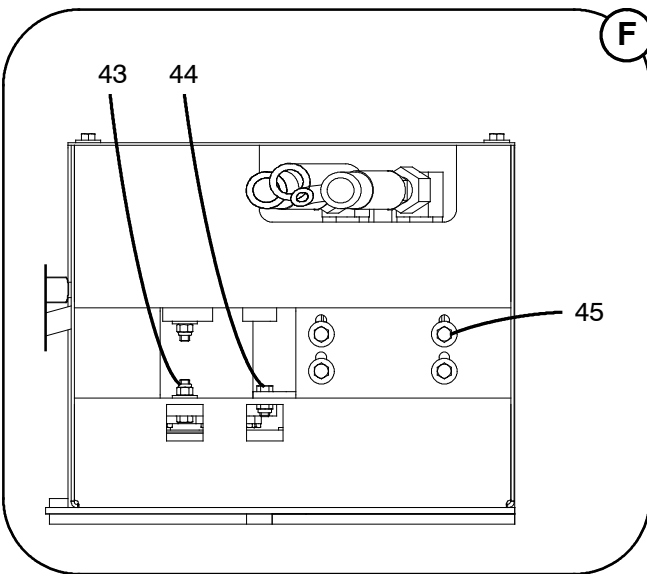
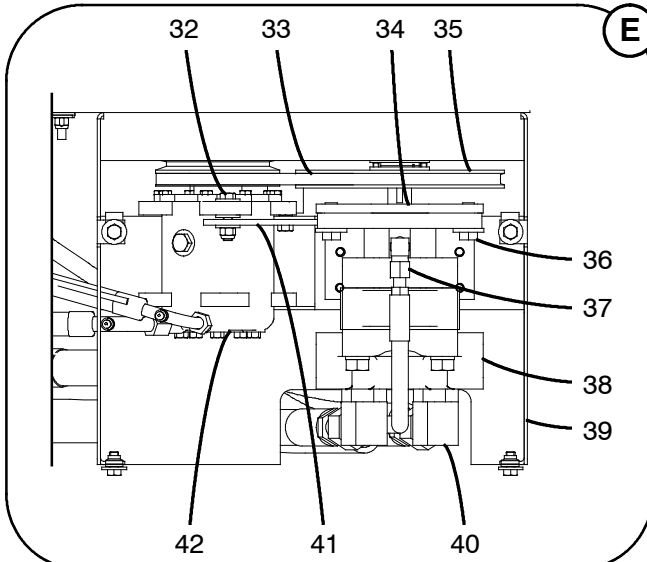
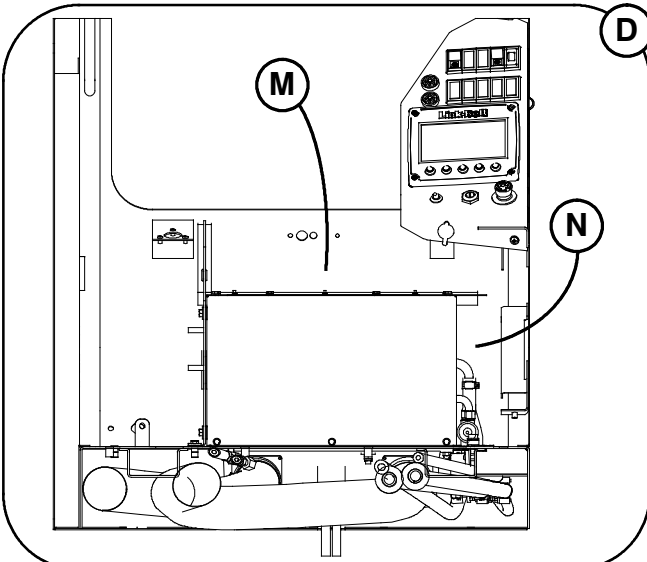
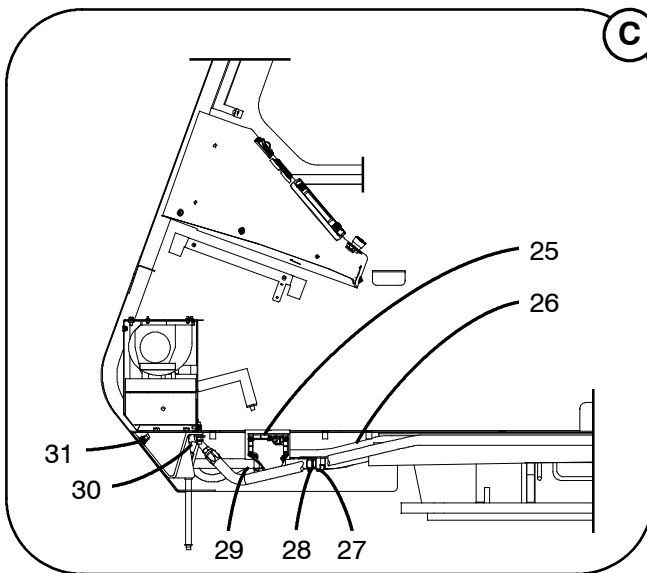
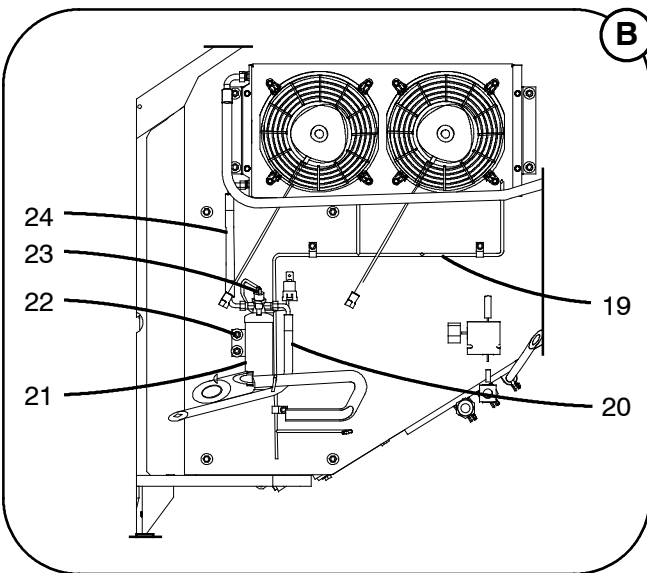


Parts List

0415

Upper Air Conditioning & Heater Installation				
REF	PART NO.	QTY	DESCRIPTION	REMARKS
1	C5A1558	1	Switch	
	N3N0267	1	Lens, Heater/AC	
2	1X 7398	1	Tee	
3	P9J0445	1	Cover, Power Unit	
	126009012	4	Capscrew	
	128003004	4	Washer	
	65A0568	4	Retainer, Nut	
4	N4N0053	1	Hose - 2.7'	KA
	N4N0054	1	Clamp	KA
5	N3P0237	1	Label, Diesel Fuel Only	
6	N4N0140	1	Tank, Diesel Fuel	KA
7	126009025	3	Capscrew	
	128003004	12	Washer	
	1X 7549	3	Spacer - 1.1" Long	
	N4N0141	3	Spacer - 1.6" Long	
	127004003	3	Locknut	
8	REF	1	Condenser Assy - See Keysheet 18- 018	
	128003004	4	Washer	
	127004003	4	Locknut	
9	L8J0335	1	Hose Assy	
10	128003004	4	Washer	
	127004003	4	Locknut	
11	L8J0336	1	Hose Assy	
12	F7J0316	2	Hose Assy	
13	1X 6038	3	Clamp	
	127004003	3	Locknut	
14	N4N0056	3	Screw	KA
15	N3N0219	1	Filter	
	S2N0094	1	Bracket	
	S2N0095	2	Knob	
16	F8J0306	1	Accumulator	
	1X 7559	1	Elbow	
17	J6J0174	1	Tube Assy	
18	L8J0361	1	Tube Assy	
19	J6R0075	1	Harness, Wire	
	D6R0346	1	Relay, Sealed	
20	L8J0337	1	Hose Assy	
21	J7J0559	1	Drier	
22	128003004	2	Washer	
	127004003	2	Locknut	
23	J7J0558	1	Switch, Binary	
24	L8J0338	1	Hose Assy	
25	L8J0448	1	Water Valve S/A	NSS
	S2R0308	1	Valve	
	1X 7920	4	Screw, Machine	
	127004001	4	Locknut	
	L8J0407	1	Bracket	
	128003004	1	Washer	
	127004003	1	Locknut	

Upper Air Conditioning & Heater Installation

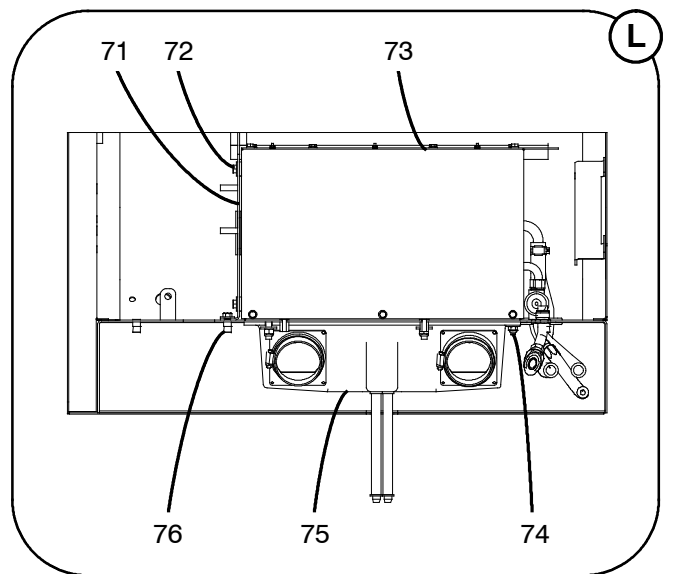
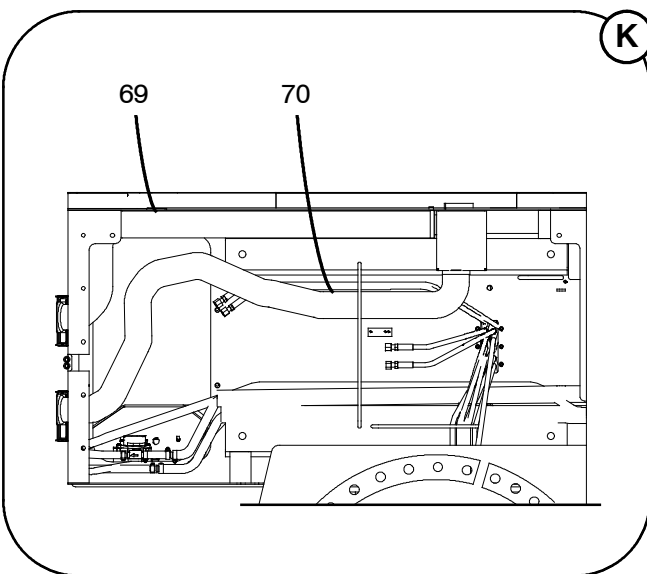
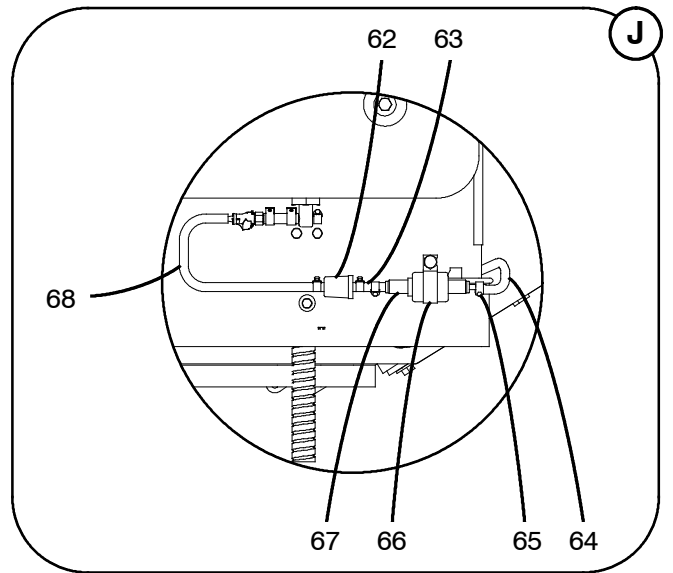
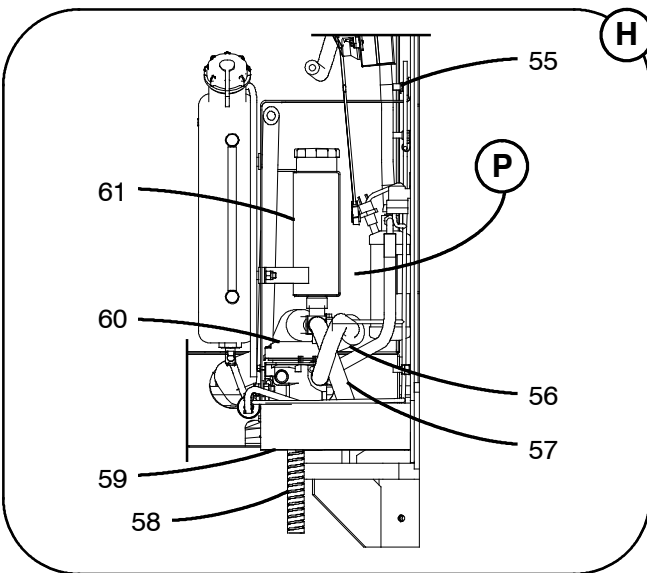


Parts List

0415

Upper Air Conditioning & Heater Installation				
REF	PART NO.	QTY	DESCRIPTION	REMARKS
26	822044004	1	Hose - 0.25'	KA
27	112020004	4	Clamp	
28	N4N0058	1	Reducer	
29	822044004	1	Hose - 1.75'	
30	1X 5270	2	Clamp	
31	128003004	2	Washer	
	127004003	2	Locknut	
32	126009016	1	Capscrew	
	128003004	3	Washer	
	127004003	1	Locknut	
33	1X 8303	1	V- belt	
34	N3J0408	1	Bracket, Motor Mount	
35	N4J0317	1	Sheave	
	F7J0549	1	Bushing	
36	126009027	2	Capscrew	
	128003006	2	Washer	
37	1X 7458	1	Elbow	
	70J0110	1	Hose Assy	
38	REF	1	Gear Motor Assy - See Keysheet 18- 018	
39	P9J0443	1	Case, Power Unit	
40	1X 7392	2	Elbow	
41	N3J0402	1	Plate	
42	E8J0196	1	Compressor Assy - See Keysheet 18- 018- 049.00	
43	126009015	2	Capscrew	
	128003004	2	Washer	
	127004003	2	Locknut	
44	126009013	1	Capscrew	
	127004003	1	Locknut	
45	126009012	4	Capscrew	
	128003004	4	Washer	
46	1X 7377	1	Connector	
47	E1J0357	1	Solenoid Valve Assy - See Keysheet 07- 003- 062.00	
48	1X 7623	1	Connector	
49	26F0089	1	Clamp	
50	20J2909	1	Clamp	
51	1X 7418	1	Tee	
52	20J2909	1	Clamp	
53	1X 7418	1	Tee	
54	F8J0335	1	Tube Assy	

Upper Air Conditioning & Heater Installation

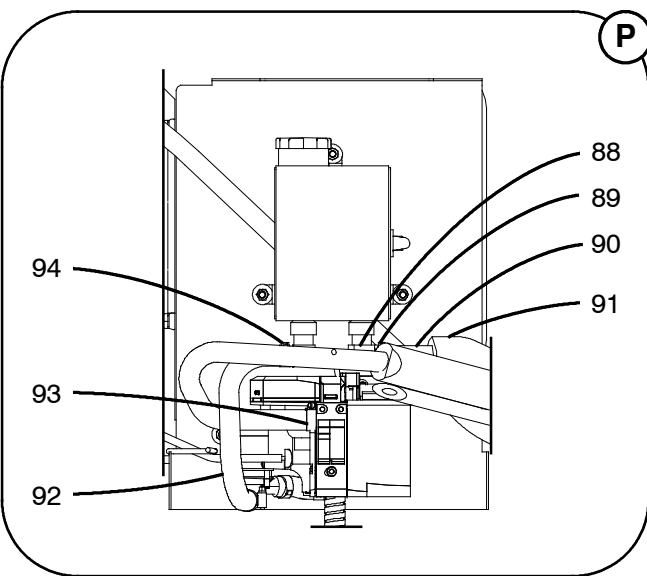
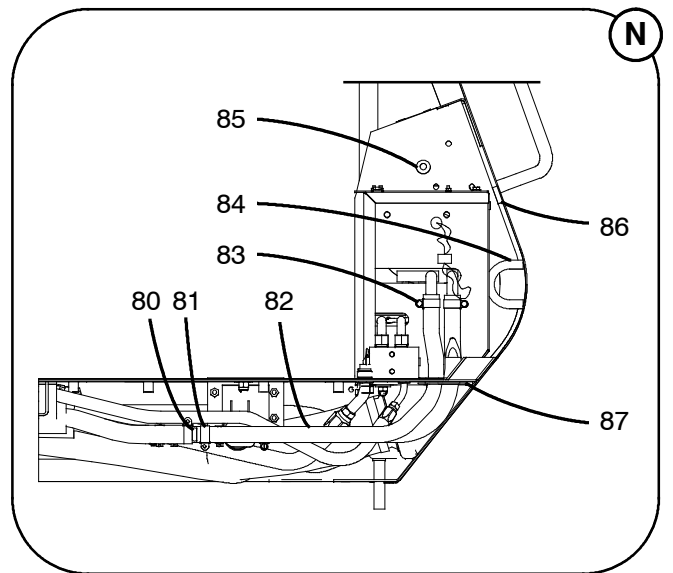
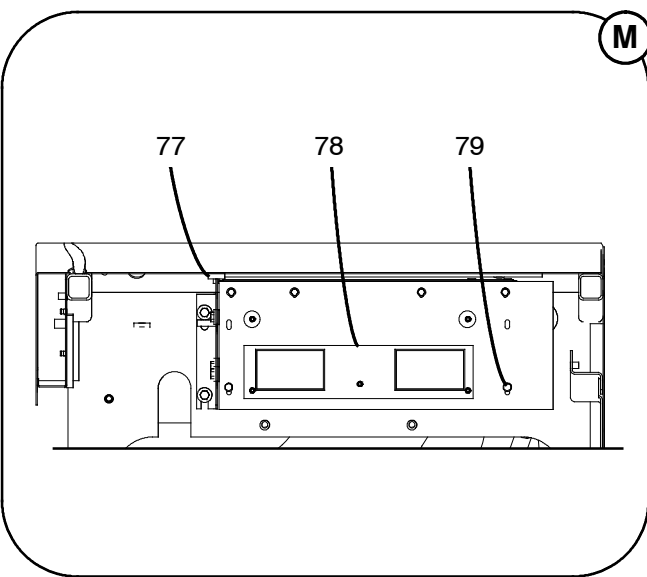


Parts List

0415

Upper Air Conditioning & Heater Installation				
REF	PART NO.	QTY	DESCRIPTION	REMARKS
55	128003004	4	Washer	
	127004003	4	Locknut	
56	850075001	1	Sleeve, Insulation - 5.6'	
57	822044005	1	Hose - 10.75'	
58	N4N0051	1	Clamp	KA
	N4N0057	1	Tube - 0.5'	KA
59	J9B0035	1	Bracket, Heater	
60	REF	1	Diesel Coolant Heater Assy - See Keysheet 06- 025	KA
61	J6N0087	1	Tank, Coolant	
	J6N0093	1	Glass, Sight	
	J6N0094	1	Coupling	
62	N4N0055	1	Filter, Fuel	KA
63	N4N0053	1	Hose - 0.17'	KA
64	N4N0053	1	Hose - 1'	KA
65	N4N0054	6	Clamp	KA
66	28J0920	1	Clamp	
	126009013	1	Capscrew	
	128003004	1	Washer	
	127004003	1	Locknut	
67	N4N0045	1	Pump, Fuel	KA
68	N4N0053	1	Hose - 1'	KA
69	822025005	1	Hose - 3.75'	
70	822025005	1	Hose - 5'	
	1X 5270	2	Clamp	
71	N4N0062	1	Baffle	
72	126009095	4	Capscrew	
	128003002	12	Washer	
73	REF	1	Upper Heater & Evaporator Assy - See Keysheet 18- 018	
74	128003002	2	Washer	
	127004002	2	Locknut	
75	J9N0025	1	Air Duct Assy	
	J9N0024	1	Duct, Air	
	N3N0212	2	Adaptor, Hose - 3"	
	N3N0230	2	Adaptor, Hose - 0.5"	
	128003004	2	Washer	
	127004003	2	Locknut	
76	126009095	2	Capscrew	
	128003002	2	Washer	

Upper Air Conditioning & Heater Installation

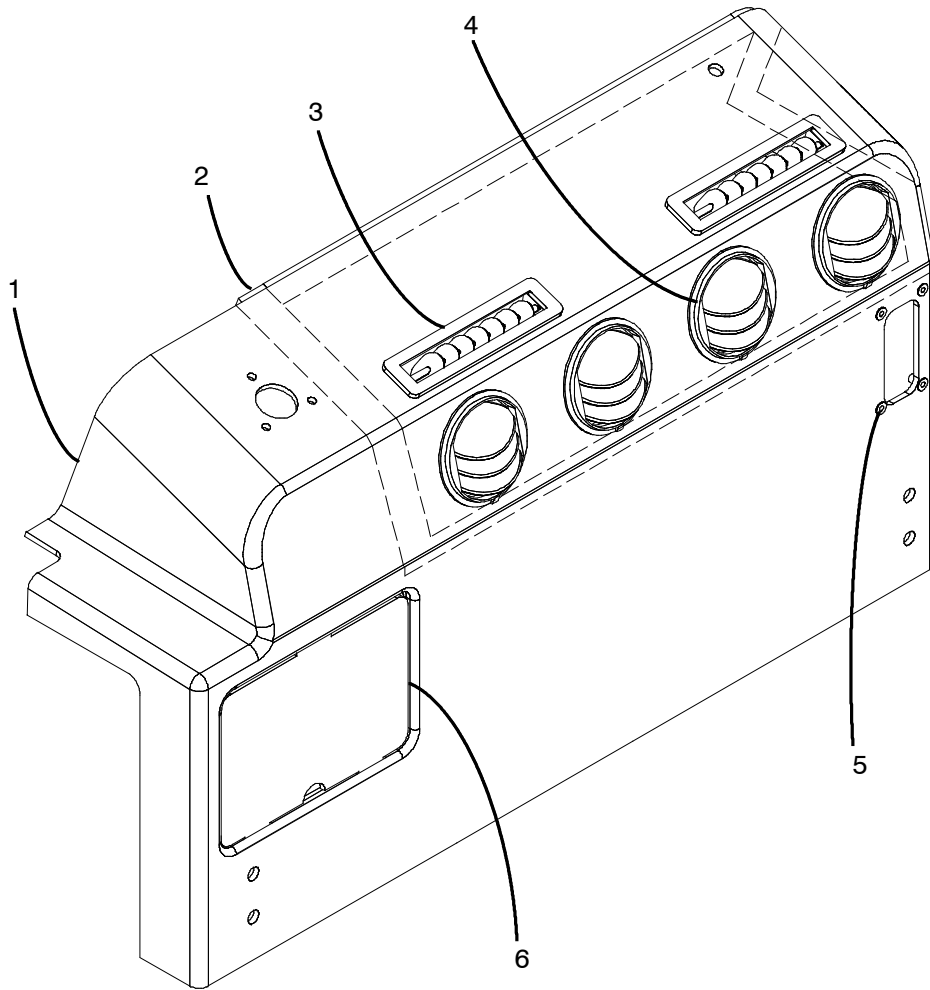


Parts List

0415

Upper Air Conditioning & Heater Installation				
REF	PART NO.	QTY	DESCRIPTION	REMARKS
77	824033010	1	Weatherstrip - 0.45'	KA
78	N3N0180	1	Baffle	
79	126006006	2	Capscrew	
	128002005	2	Washer	
80	N4N0058	1	Reducer	
81	112020004	2	Clamp	
82	822044004	1	Hose - 1.58'	
83	112020004	2	Clamp	
84	824025005	1	Trim - 0.38'	
85	36J0772	1	Grommet, Rubber	
86	824033010	1	Weatherstrip - 1.75'	
87	824025005	1	Trim - 0.5'	
88	1X 6222	2	Stem, Hose	
89	112020004	1	Clamp	
90	822044005	1	Hose - 6.33'	
91	850075001	1	Sleeve, Insulation - 5.2'	
92	822044005	1	Hose - 1.25'	
93	112020004	1	Clamp	
94	112020004	2	Clamp	
	71J0005	6	Tie, Cable - Not Shown	
	N4N0052	1	Clamp - Not Shown	
	N4N0139	1	Kit, Diesel Coolant Heater - All Items Marked KA	

Heater Cover S/A



Parts List

0714

Heater Cover S/A				
REF	PART NO.	QTY	DESCRIPTION	REMARKS
	S3N0047	1	Heater Cover S/A	NSS
1	S3N0046	1	Panel, Heater Cover	
2	824033010	1	Weatherstrip	
3	N3N0089	2	Louver	
4	N3N0090	4	Louver	
5	F7N0030	4	Insert, Threaded	
6	N3N0052	1	Cover, Fuse	

Schematics

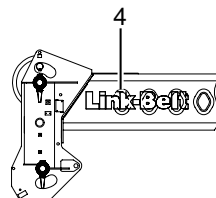
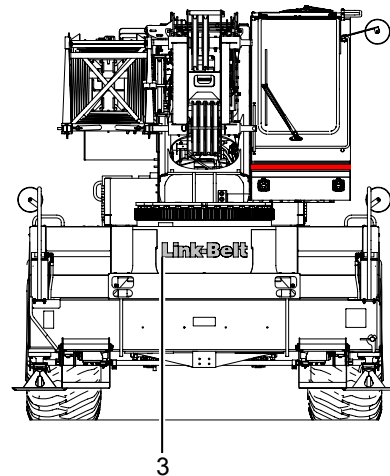
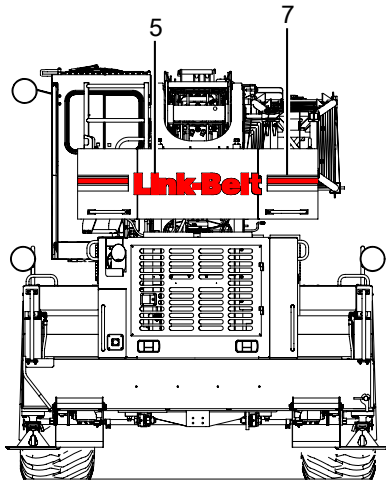
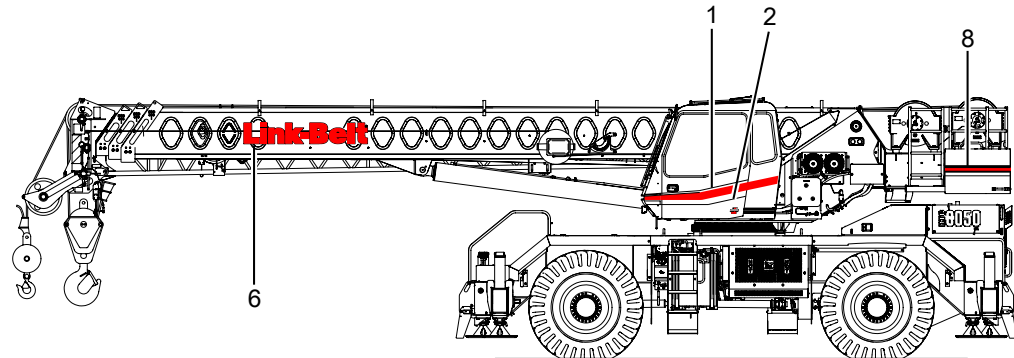


Parts List

0716

Schematics				
REF	PART NO.	QTY	DESCRIPTION	REMARKS
1	J6J0303S	1	Schematic, Hydraulic	
2	J6R0134S	1	Schematic, Lower Electrical	
3	J6R0176S	1	Schematic, Upper Electrical	
	NOTE 1	1	Use schematics for troubleshooting only. Do not order parts from information on schematic drawings.	
	NOTE 2	1	Schematics drawings are only available as a set from LBCE Customer Information Center. Crane serial number required.	

Link-Belt Labels & Stripes

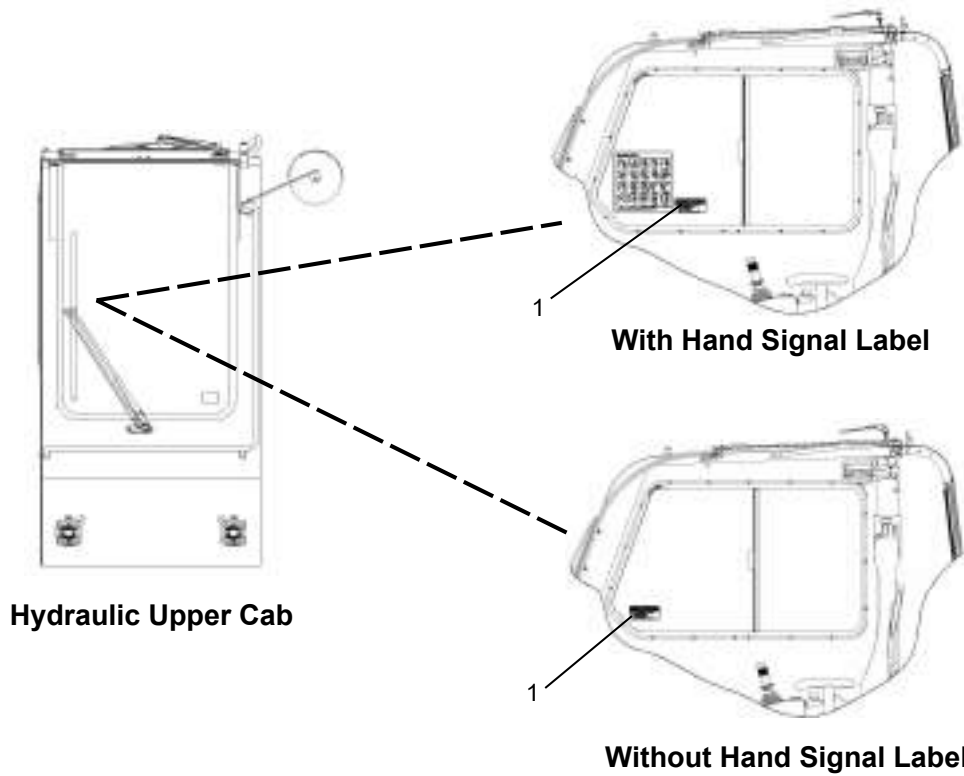


Parts List

0415

Link-Belt Labels & Stripes				
REF	PART NO.	QTY	DESCRIPTION	REMARKS
1	N3P0020	1	Stripe, Cab	
2	N3P0024	1	Stripe, Cab	
3	R3P0013	1	Label, Gray Link-Belt	
4	R3P0018	2	Label, White Link-Belt	
5	R3P0019	1	Label, White Link-Belt	
6	R3P0023	2	Label, Red Link-Belt	
7	876009014	1	Stripe	3'
8	876009016	2	Stripe	3.83'

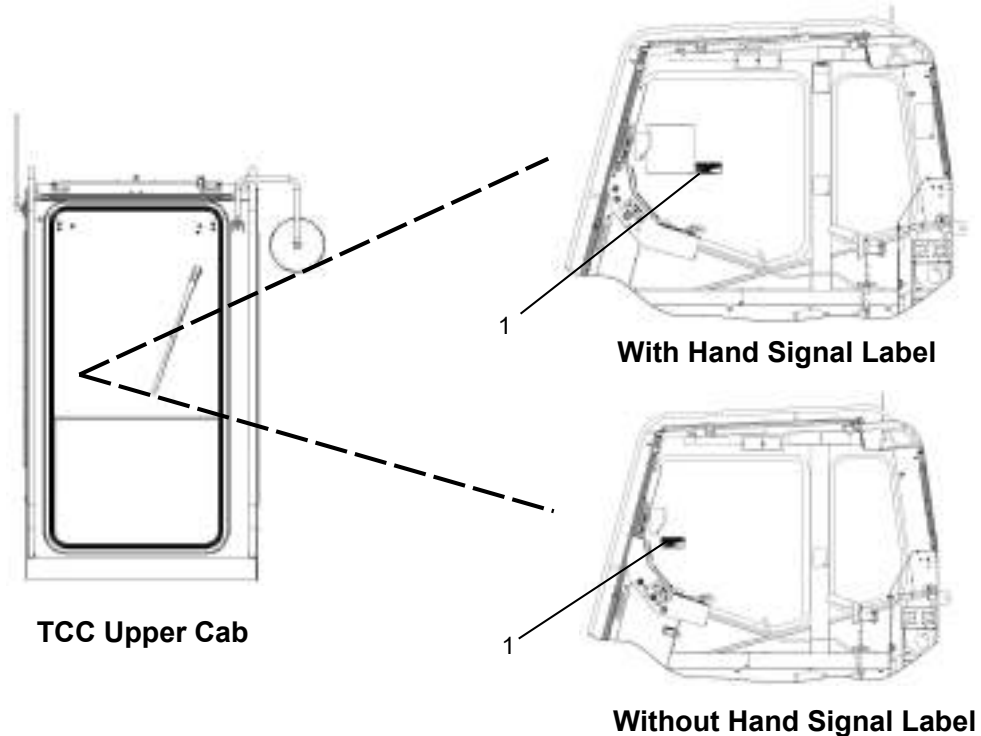
iCraneTrax Label Installation



Hydraulic Upper Cab

With Hand Signal Label

Without Hand Signal Label



TCC Upper Cab

With Hand Signal Label

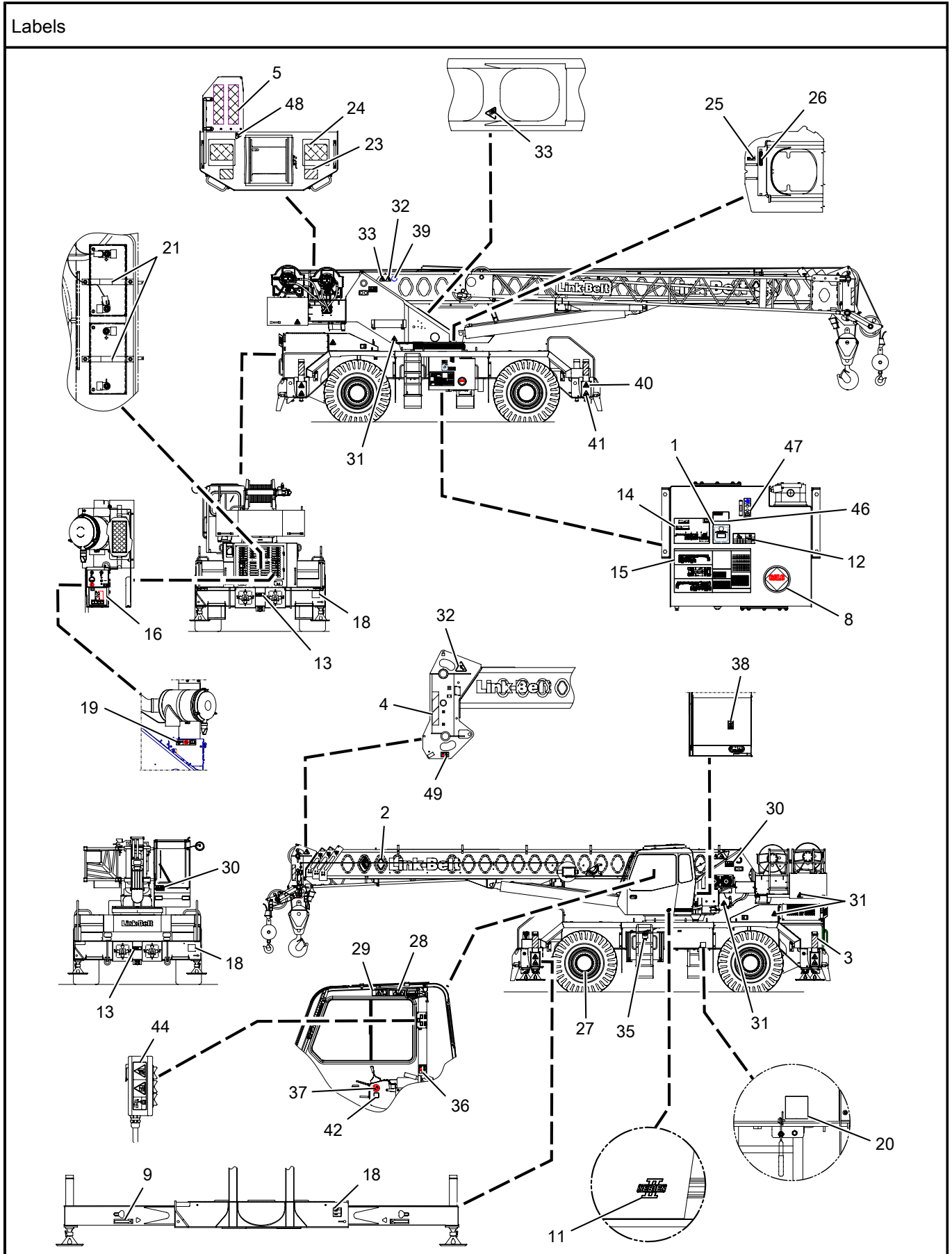
Without Hand Signal Label

Parts List

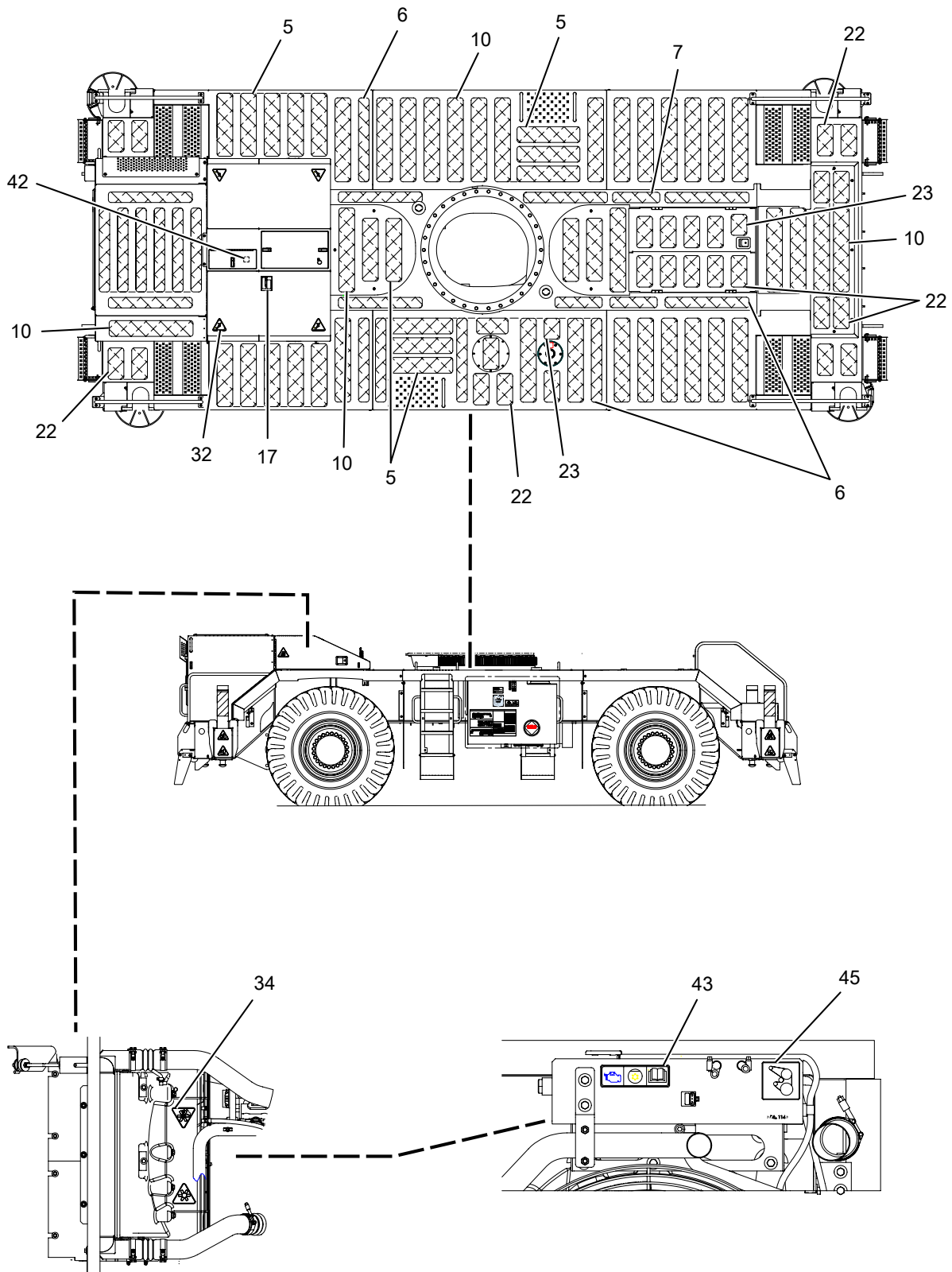
0115

iCraneTrax Label Installation				
REF	PART NO.	QTY	DESCRIPTION	REMARKS
1	T2P0025		iCraneTrax Label	

Labels



Labels



Parts List

0717

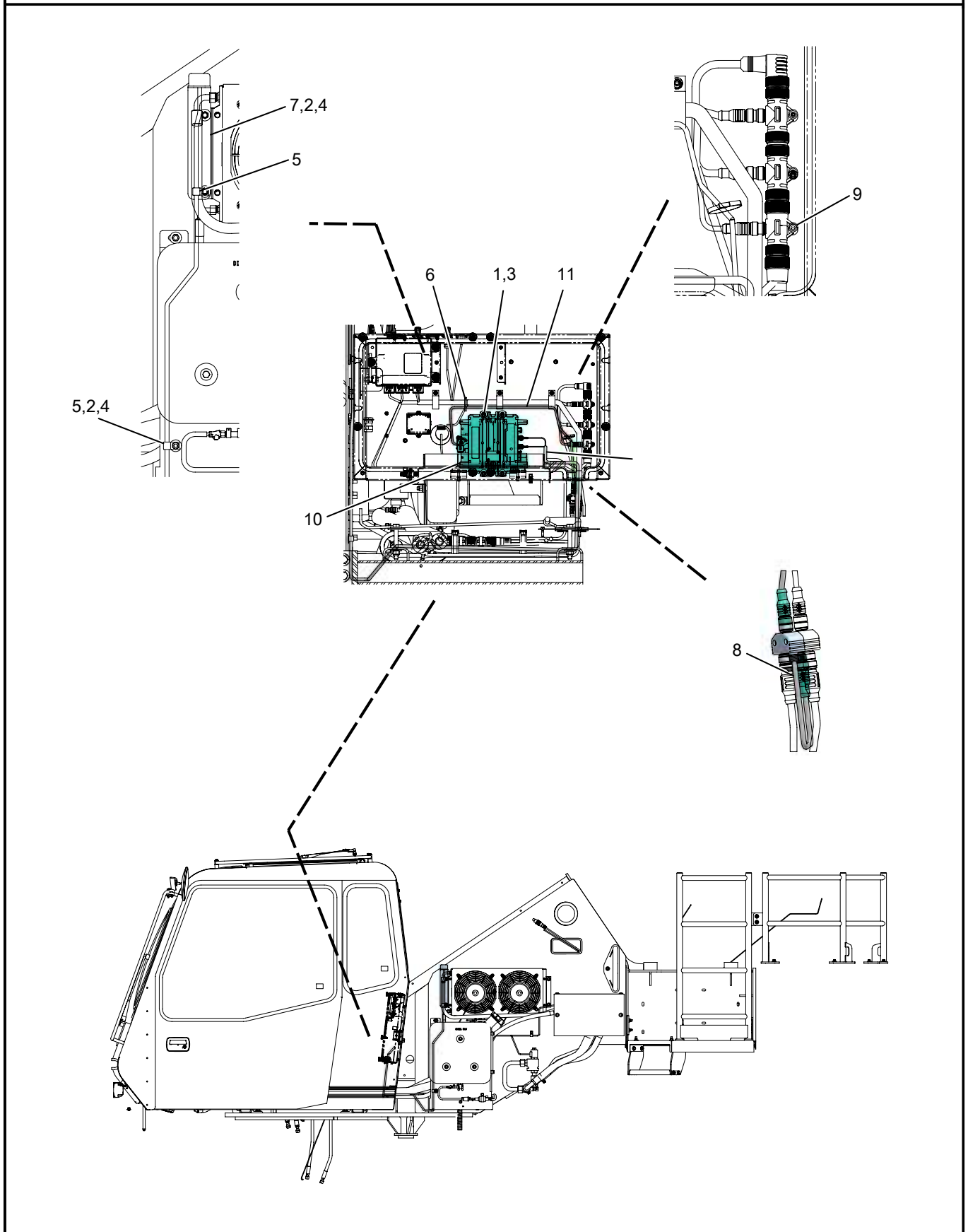
Labels				
REF	PART NO.	QTY	DESCRIPTION	REMARKS
1	43P0439	1	Label, PCSA Insignia	
2	47P0306	2	Label, THE BOSS	
3	804020002	4	Tape, Reflective	12.0"
4	804020003	2	Tape, Reflective	16.0"
5	850040005	22	Walk, Safety	
6	850040011	16	Walk, Safety	
7	850040012	3	Walk, Safety	
8	D3P0054	1	Label, CALC	
9	D3P0064	4	Label, Arrow	
10	D6P0094	29	Strip, Sand	
11	E8P0047	1	Label, Series II	
12	J6P0096	1	Label, Tire Inflation	
13	J6P0103	2	Label, Load Radius	
14	J6P0104	1	Label, Lift	
15	J6P0116	1	Lube Chart Label	
16	J6P0118	1	Battery Cable Schematic Label	
17	J9P0088	1	Label, Avoid Boom Contact	
18	J9P0090	4	Label, Outrigger Positions	
19	J9P0091	1	Label, Electric Heater	
20	J9P0097	1	Label, Pump Lever	
21	J9P0101	2	Label, 12 Volt	
22	KHP0026	30	Tape, Non-Slip	
23	KHP0403	4	Tape, Non-Slip	
24	KHP0849	2	Tape, Non-Slip	
25	L8P0167	1	Label, CenterlineDistance	
26	L8P0168	1	Label, Level Check	
27	N3P0214	4	Label, Tire Inflation Danger	
28	N3P0215	1	Label, Crane Stability	
29	N3P0216	1	Label, Power Line Danger	
30	N3P0217	3	Label, Electrical Power Line	
31	N3P0218	6	Label, Swing Hazard	
32	N3P0221	8	Label, No Walk Safety	
33	N3P0223	3	Label, Hand Pinch Point	
34	N3P0226	2	Label, Fan Hazard	
35	N3P0237	1	Label, Diesel Fuel Only	

Parts List

0717

Labels				
REF	PART NO.	QTY	DESCRIPTION	REMARKS
36	N3P0244	1	Label, Swing Lock	
37	N3P0245	1	Label, No Access	
38	N3P0248	1	Label, RCL Bypass	
39	N3P0252	1	Label, Fly Storage	
40	N3P0276	4	Label, Body Crush	
41	N3P0277	4	Label, Foot Crush	
42	N3P0287	2	Label, Read Manual	
43	N3P0288	1	Label, Surge Tank	
44	N3P0344	1	Label, Outrigger Safety Information	
45	N4P0140	1	Label, Belt Routing	
46	R3P0096	1	Label, ASME	
47	R8P0004	1	Label, Oil Level	
48	R8P0095	1	Label, Rotating Parts Caution	
49	R8P0101	1	Label, ATB Lockout Pin	

Telematics Installation

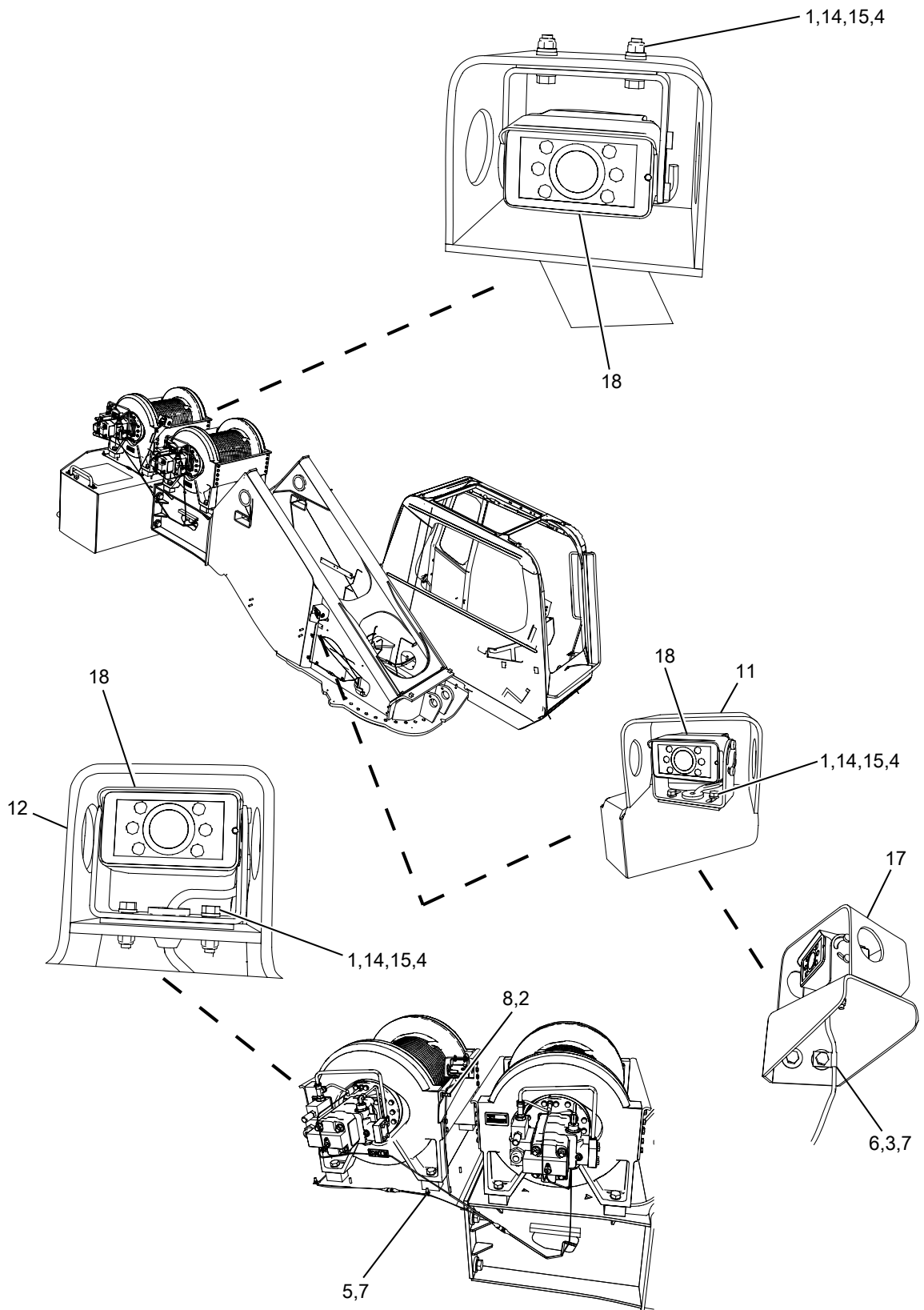


Parts List

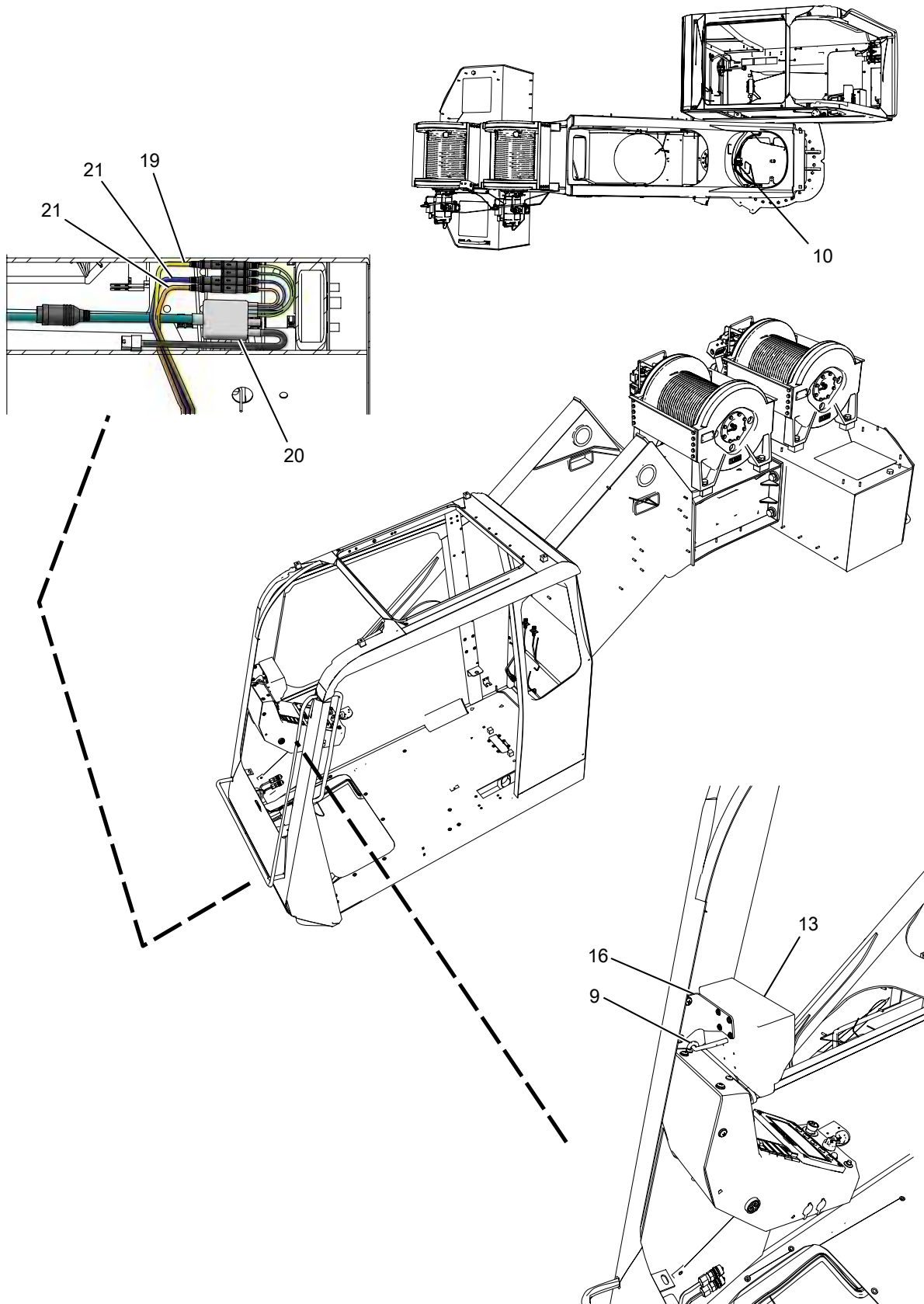
0615

Telematics Installation				
REF	PART NO.	QTY	DESCRIPTION	REMARKS
1	126009004	4	Capscrew	
2	127004003	3	Locknut	
3	128003002	4	Washer	
4	128003004	3	Washer	
5	1X 6038	2	Clamp	
6	71J0005	7	Tie, Cable	
7	J6R0148	1	Antenna Bracket	
8	J8R0244	1	Splitter W/Cord	
9	S2R0076	1	Tee, M12 Minifast Bus	
10	S3R0073	1	Module, Telematics	
11	S4R0056	1	Harness, Wire	

Upper Camera System



Upper Camera System



Parts List

0217

Upper Camera System				
REF	PART NO.	QTY	DESCRIPTION	REMARKS
1	126006095	6	Capscrew	
2	126009002	1	Capscrew	
3	126009119	2	Capscrew	
4	127003010	6	Locknut	
5	127004003	9	Locknut	
6	128003004	4	Washer	
7	1X 8088	8	Clamp	
8	1X 8560	1	Clamp	
9	37A0768	1	Grommet	
10	71J0005	30	Tie, Cable	
11	J6R0105	1	Bracket	
12	J6R0139	1	Rear Camera Bracket	
13	T6R0166	1	Camera LCD Display	
14	N3N0500	12	Washer	
15	N3N0501	6	Washer	
16	S3N0008	1	Bracket	
17	S4R0034	1	Bracket	
18	S1R0055	3	Camera	
19	R8R0136	1	Cable, Camera - 13.5'	
20	S1R0079	1	Power Harness Unit	
21	T2R0057	2	Cable, Camera - 24.0'	

Parts List

0217

Upper Camera System

Notes: