

Manitowoc

PARTS MANUAL

This manual has been prepared for and is considered part of -

8500-1

(Tier 4 Engine)

Crane Model Number



8501Ref

Crane Serial Number

NOTICE

The crane serial number is the only method your distributor or the factory has of providing you with correct parts and service information.

The crane serial number is identified on the crane identification label attached to the operator's cab. **Always furnish crane serial number** when ordering parts or communicating service problems with your distributor or the factory.

	 WARNING
	<p>To prevent death or serious injury:</p> <ul style="list-style-type: none">• Avoid unsafe operation and maintenance. Crane and attachments must be operated and maintained by trained and experienced personnel. Manitowoc is not responsible for qualifying these personnel.• Do not operate or work on crane or attachments without first reading and understanding instructions contained in Operator Information Manual supplied with crane and applicable attachments.• Store Operator Information Manual in operator's cab.• If Operator Information Manual is missing from cab, contact your Manitowoc Distributor for a new one.



**Service Kits
Hino J08E-UV Tier IV Engine**

Kit Part Number	Description	Qty	Component P/N	Description
90020776	Service Kit 250 Hrs Hino J08E-UV Engine	1	9999428869	Engine Oil Filter
		1	9999421443	Free-Fall Brake Cooling Filter
		1	9999421442	Hyd Motors-Case Drain Filter
90020777	Service Kit 500 Hrs Hino J08E-UV Engine	1	9999428869	Engine Oil Filter
		1	9999432770	Engine Fuel Filter
		1	9999429896	Engine Fuel Pre Filter
		1	9999421443	Free-Fall Brake Cooling Filter
		1	9999421442	Hyd Motors-Case Drain Filter
90020778	Service Kit 750 Hrs Hino J08E-UV Engine	1	9999428869	Engine Oil Filter
		1	9999421443	Free-Fall Brake Cooling Filter
		1	9999421442	Hyd Motors-Case Drain Filter
90020779	Service Kit 1000 Hrs Hino J08E-UV Engine	1	9999428869	Engine Oil Filter
		1	9999432770	Engine Fuel Filter
		1	9999429896	Engine Fuel Pre Filter
		1	9999421443	Free-Fall Brake Cooling Filter
		1	9999421442	Hyd Motors-Case Drain Filter
		2	9999424323	Hyd Line Filter-Gear Pumps
		2	9999422630	O Ring for Hyd Line Filters
		1	9999429140	Filter Element, Air
90020780	Service Kit 1250 Hrs Hino J08E-UV Engine	1	9999428869	Engine Oil Filter
		1	9999421443	Free-Fall Brake Cooling Filter
		1	9999421442	Hyd Motors-Case Drain Filter
90020781	Service Kit 1500 Hrs Hino J08E-UV Engine	1	9999428869	Engine Oil Filter
		1	9999432770	Engine Fuel Filter
		1	9999429896	Engine Fuel Pre Filter
		1	9999421443	Free-Fall Brake Cooling Filter
		1	9999421442	Hyd Motors-Case Drain Filter
90020782	Service Kit 1750 Hrs Hino J08E-UV Engine	1	9999428869	Engine Oil Filter
		1	9999421443	Free-Fall Brake Cooling Filter
		1	9999421442	Hyd Motors-Case Drain Filter
90020783	Service Kit 2000 Hrs Hino J08E-UV Engine	1	9999428869	Engine Oil Filter
		1	9999432770	Engine Fuel Filter
		1	9999429896	Engine Fuel Pre Filter
		1	9999421443	Free-Fall Brake Cooling Filter
		1	9999421442	Hyd Motors-Case Drain Filter
		1	9999432131	Hyd Return Filter Repair Kit
		2	9999424323	Hyd Line Filter-Gear Pumps
		2	9999422630	O Ring for Hyd Line Filters
		1	9999429140	Filter Element, Air
		1	9999407267	Hyd Tank Suction Strainer
		1	9999424419	O Ring for Hyd Tank Suction Strainer

Manitowoc MACHINE COMPONENT INDEX

Date: Apr 07, 2011

Rev:

<u>Model Number</u> 8500-1		<u>Serial Number</u> 8500	
Item	Part	Description	Page
		ROTATING STRUCTURE	
5	9999431053	LUB LINES BOOM HOIST	3
6	9999430906	COVER ASSY, DRUM BOOM HOIST	5
9	9999430842	PLATE ASSY, FLOOR	7
11	9999431020	VALVE INSTAL REMOTE CNTRL ELEC. VALVE / MECHANICAL DETENT	9
17	9999430949	BRG INSTAL, SWING	11
18	9999430950	BRG ASSY, SWING	13
19	9999431060	LUB LINES, BRG, SWING	15
26	9999430865	PUMP ASSY, HYD WINCH	17
27	9999430866	PUMP ASSY, HYD SWING	19
28	9999430458	PUMP ASSY, GEAR AUX. ACTUATOR	21
29	9999430459	PUMP ASSY, GEAR COOLER	23
	9999421479	PUMP ASSEMBLY - HYDRAULIC GEAR	25
30	9999431071	PUMP ASSY, GEAR FLANGE W/O FREE FALL	27
32	9999430923	COUPLING	29
39	9999430946	COOLER INSTAL, OIL	33
40	9999430988	COOLER, OIL	35
50	9999430920	HYD LINES, SUCTION	39
51	9999430919	HYD LINES, PUMP	41
52	9999430930	HYD LINES, DELIVERY	45
53	9999430932	HYD LINES, DELIVERY DPR CIRCUIT	47
54	9999430832	HYD LINES, LH	51
	9999430837	CONNECTOR ASSY FRT, RR VALVE	55
57	9999430878	HYD LINES, WINCH FRT, RR	57
	9999430883	HYD LINES, WINCH FRT	59
	9999430884	HYD LINES, WINCH RR	61
58	9999430879	HYD LINES, WINCH, BOOM	63
59	9999430881	HYD LINES, WINCH COOLER W/ FREE FALL	67

Manitowoc MACHINE COMPONENT INDEX

Date: Apr 07, 2011

Rev:

<u>Model Number</u> 8500-1		<u>Serial Number</u> 8500	
Item	Part	Description	Page
	9999431068	CONNECTOR ASSY WINCH COOLER W/ FREE FALL	71
	9999430888	CONNECTOR ASSY WINCH COOLER W/ FREE FALL	73
60	9999430885	HYD LINES WINCH COOLER OIL WARMER	75
61	9999431012	CNTRL LINES SWING MOTOR / SWING NEUTRAL FREE	77
63	9999431013	CNTRL LINES SWING MOTOR / SWING NEUTRAL BRAKE	79
	9999431070	CONNECTOR ASSY SWING NEUTRAL BRAKE	81
65	9999431066	VALVE INSTAL 2-SECTION VALVE / SWING NEUTRAL BRAKE	83
66	9999430945	HYD LINES, OIL COOLER	87
67	9999430935	HYD LINES, RETURN & DRAIN	89
68	9999430937	HYD LINES, RETURN W/O FREE FALL	91
72	9999431069	HYD LINES, HYD TANK / DRAIN	93
73	9999430859	CNTRL LINES, FLOOR	97
	9999430834	ACCUMULATOR INSTAL	101
	9999431035	VALVE INSTAL 1-SECTION VALVE	103
	9999431034	VALVE INSTAL 2-SECTION VALVE	105
	9999430863	BLOCK ASSY UNDER FLOOR PLATE	107
74	9999430858	CNTRL LINES, FLOOR W/ FREE FALL	109
	9999430835	ACCUMULATOR INSTAL W/ FREE FALL	111
78	9999431037	CNTRL LINES, VALVE MAIN	113
80	9999431036	VALVE INSTAL GANTRY CYL	115
	9999431041	CONNECTOR ASSY GANTRY VALVE	117
	9999405345	FILTER, INLINE	119
84	9999430833	HYD LINES, UPP	121
88	9999430871	HYD LINES, PROPEL	125
89	9999430873	HYD LINES, CYL CRAWER EXT/RET	127

Manitowoc MACHINE COMPONENT INDEX

Date: Apr 07, 2011

Rev:

<u>Model Number</u> 8500-1		<u>Serial Number</u> 8500	
Item	Part	Description	Page
104	9999430989	TANK ASSY, WSHR	129
114	9999430817	CAB INSTAL	133
115	9999430818	CAB INSTAL INTERIOR TRIM	137
116	9999430914	GUARD ASSY, HEAD	141
117	9999430894	GUARD INSTAL R.H	145
	9999430895	GUARD ASSY, RH	149
	9999430897	COVER ASSY HYD TANK	153
118	9999430955	HANDRAIL ASSY RH GUARD LADDER INSTAL / STD	157
119	9999430953	HANDRAIL ASSY RH GUARD UPPER	161
120	9999430898	PANEL ASSY DUST-PROOFING NET	163
121	9999430893	GUARD INSTAL LH	167
	9999430951	HANDRAIL ASSY LH GUARD FRT	169
	9999407300	MIRROR	171
	9999426449	LIGHT	173
	9999430896	GUARD ASSY, LH	177
122	9999430954	HANDRAIL INSTAL LH GUARD FRT STEP / STD	181
123	9999430952	HANDRAIL ASSY LH GUARD UPPER	183
124	9999430864	STAND, CNTRL HOUR METER	185
125	9999430985	DECK INSTAL RH	189
126	9999430986	DECK INSTAL LOWER SIDE OF CAB	193
	9999430948	PLATFORM ASSY DECK LOWER SIDE OF CAB	195
	9999430918	INSULATION INSTAL DECK LOWER SIDE OF CAB	197
127	9999430983	DECK INSTAL LH	199
128	9999430984	DECK ASSY RH & LH	203
129	9999430947	PLATFORM ASSY, AUX CATWALK	205
131	9999431048	COVER ASSY A/C IN CAB	207
132	9999430909	COVER ASSY, UNDER DECK	209
	9999430910	COVER ASSY, UNDER DECK	211

Manitowoc MACHINE COMPONENT INDEX

Date: Apr 07, 2011

Rev:

<u>Model Number</u> 8500-1		<u>Serial Number</u> 8500	
Item	Part	Description	Page
133	9999430908	COVER ASSY SWING FRAME	217
134	9999430907	COVER ASSY DECK LOWER SIDE OF CAB LH	219
135	9999430979	RUBBER SWING FRAME	221
137	9999430978	FRAME ASSY, UPP SWING FRAME	223
144	9999430800	SUPPORT ASSY GANTRY CYL	225
147	9999430805	COVER ASSY PROPEL MOTOR COVER	227
195	9999431051	LUB LINES FRT, RR	229
196	9999430857	BACKSTOP ASSY, BOOM	231
197	9999430904	COVER ASSY, DRUM FRT, RR	233
212	9999431052	LUB LINES 3RD	235
213	9999430905	COVER ASSY, DRUM, 3RD	237
219	9999430966	HYD LINES, 3RD LH DECK W/ DPR CIRCUIT	241
220	9999430926	VALVE ASSY, CNTRL 3RD	243
221	9999430880	HYD LINES, WINCH 3RD	245
	9999430882	HYD LINES, WINCH 3RD	249
222	9999430886	HYD LINES, WINCH COOLER W/ FREE FALL / 3RD	251
	9999430887	CONNECTOR ASSY WINCH COOLER W/ FREE FALL / 3RD	253
223	9999430860	CNTRL LINES, FLOOR UNDER FLOOR PLATE / 3RD	255
224	9999430861	CNTRL LINES, FLOOR UNDER FLOOR PLATE / 3RD	257
	9999430836	ACCUMULATOR INSTAL W/ FREE FALL / 3RD	259
225	9999430862	CNTRL LINES, FLOOR UNDER FLOOR PLATE / BRAKE MASTER UNIT CONNECTOR / 3RD	261
226	9999431023	VALVE INSTAL CLUTCH / 3RD	263
227	9999430965	HYD LINES, 3RD LH FRT DECK CNTRL	265
	9999431029	VALVE INSTAL 4-SECTION VALVE / 3RD	267
	9999431027	VALVE INSTAL 8-SECTION / 3RD	269

Manitowoc MACHINE COMPONENT INDEX

Date: Apr 07, 2011

Rev:

<u>Model Number</u> 8500-1		<u>Serial Number</u> 8500	
Item	Part	Description	Page
	9999431025	VALVE INSTAL 5-SECTION VALVE / 3RD	271
	9999431031	VALVE INSTAL 3-SECTION / 3RD	273
228	9999430967	HYD LINES, PLUG INSTAL 3RD	275
229	9999430987	HYD LINES, TAGLINE	279
	9999425419	TAGLINE ASSY	281
230	9999430890	CONDITIONER INSTAL IN CAB	285
231	9999430889	CONDITIONER INSTAL OUT CAB	291
232	9999430915	OPERATOR SEAT INSTAL	295
233	9999430916	ARM REST OPERATOR SEAT	297
235	9999431043	UPP FINAL FOOT ACCELERATOR PEDAL HOLE COVER RH & LH	299
236	9999431042	UPP FINAL FRT, RR PEDAL COVER	301
237	9999431045	UPP FINAL 3RD PEDAL COVER	303
238	9999431046	UPP FINAL FOOT ACCELERATOR PEDAL COVER RH OR LH / STD	305
239	9999431047	UPP FINAL FOOT ACCELERATOR PEDAL COVER RH & LH	307
240	9999431044	UPP FINAL FLOOR MAT	309
241	9999430917	SHEET ASSY GUARD ANTI-SLIP	311
248	9999431062	LIGHT INSTAL, WORK	313
	9999426449	LIGHT	315
249	9999431061	LIGHT INSTAL RR WORK LIGHT	319
	9999426449	LIGHT	321
254	9999431049	GAUGE INSTAL, LEVEL / STD	323
255	9999431059	FAN INSTAL	325
		UPPERWORKS MACHINERY	
1	9999430810	WINCH INSTAL BOOM HOIST	327
2	9999430816	WINCH ASSY, BOOM HOIST	329
3	9999430875	MOTOR ASSY, HYD BOOM HOIST	331
7	9999431056	WEDGE, ROPE BOOM HOIST	333
12	9999425571	SWING REDUCT INSTAL	335

Manitowoc MACHINE COMPONENT INDEX

Date: Apr 07, 2011

Rev:

<u>Model Number</u> 8500-1		<u>Serial Number</u> 8500	
Item	Part	Description	Page
	9999421465	SWING REDUCT INSTAL	337
13	9999430461	MOTOR ASSY, SWING	339
14	9999430938	REDUCTION ASSY, SWING	341
	9999408079	REDUCTION ASSY, SWING	345
55	9999430924	VALVE ASSY, CNTRL PROPEL, HOIST, RR 1st, FRT 2nd	349
56	9999430925	VALVE ASSY, CNTRL PROPEL, RR 2nd, FRT 1st	351
62	9999430636	VALVE ASSY, CONTROL	353
64	9999430466	VALVE ASSY, CNTRL SWING VALVE	355
69	9999430939	TANK ASSY, HYD	359
	9999430941	TANK ASSY, HYD	363
	9999431073	ELEMENT, FILTER HYD TANK	365
	9999431038	VALVE INSTAL PUMP CNTRL VALVE	367
	9999431039	VALVE INSTAL, RELIEF	369
	9999429496	FILTER, LINE	371
	9999422566	FILTER, DRAIN	373
70	9999430940	TANK ASSY, HYD W/ FREE FALL	375
	9999430091	FILTER ASSY, OIL	377
71	9999430942	TANK ASSY, HYD W/O FREE FALL	379
75	9999431022	VALVE INSTAL FUNCTION CUT VALVE / SWING AUTOMATIC OPERATION STOP	381
	9999431021	VALVE ASSY FUNCTION CUT VALVE	383
76	9999431040	VALVE INSTAL 2-SECTION VALVE / PROPEL 2nd	385
77	9999431033	VALVE INSTAL WET TYPE BRAKE CNTRL	387
	9999431032	VALVE INSTAL 4-SECTION VALVE / WET TYPE BRAKE	389
	9999431030	VALVE INSTAL 3-SECTION VALVE /	391
79	9999431018	CNTRL LINES, VALVE LH DECK	395

Manitowoc MACHINE COMPONENT INDEX

Date: Apr 07, 2011

Rev:

<u>Model Number</u> 8500-1		<u>Serial Number</u> 8500	
Item	Part	Description	Page
	9999431024	VALVE INSTAL 5-SECTION VALVE / LIMIT STOP	397
	9999431028	VALVE INSTAL 4-SECTION VALVE / MOTOR BRAKE	399
	9999431026	VALVE INSTAL 8-SECTION VALVE / W/ SHUTTLE	401
	9999430936	HYD LINES, RETURN RETURN BLOCK	403
	9999430931	HYD LINES, DELIVERY HYD SOURCE VALVE	405
81	9999430467	VALVE ASSY, CNTRL	407
82	9999431019	VALVE INSTAL C/W REMOVABLE / STD	409
83	9999430928	VALVE ASSY, CNTRL C/W REMOVABLE / STD	411
85	9999430877	JOINT ASSY, SWIVEL LOWER HYD LINES	413
	9999430876	JOINT ASSY, SWIVEL	415
86	9999431006	JOINT ASSY, SWIVEL	419
87	9999431050	SLIP RING ASSY SWIVEL JOINT	421
90	9999430927	VALVE ASSY, CNTRL CRAWER EXT/RET	423
153	9999430814	WINCH INSTAL FRT, RR	425
173	9999430815	WINCH INSTAL, 3RD	427
174	9999430811	WINCH ASSY, 3RD	429
177	9999430807	WINCH ASSY FRT W/ FREE FALL	431
178	9999430808	WINCH ASSY RR / W/ FREE FALL	433
179	9999430809	WINCH ASSY FRT, RR, 3RD / 22 / W/ FREE FALL	435
180	9999430812	WINCH ASSY FRT W/O FREE FALL	439
181	9999430813	WINCH ASSY RR W/O FREE FALL	443
182	9999430843	DRUM, WINCH, FRT, RR 3RD / 22 / W/O FREE FALL	445
183	9999430874	MOTOR ASSY, HYD FRT, RR, 3RD	447

Manitowoc MACHINE COMPONENT INDEX

Date: Apr 07, 2011

Rev:

<u>Model Number</u> 8500-1		<u>Serial Number</u> 8500	
Item	Part	Description	Page
184	9999430929	REDUCTION ASSY,WINCH FRT, RR, 3RD / W/O FREE FALL	449
		CONTROLS, AIR/ELECTRICAL	
4	9999431065	LOCK ASSY, DRUM BOOM HOIST	451
8	9999430840	CNTRLS, OPERATORS FLOOR PLATE INSTAL	453
10	9999430968	LEVER ASSY, CNTRL RH & LH STAND	457
	9999430934	LOCK ASSY, SWING LH STAND	461
	9999421467	GRIP ASSY (BOOM)	463
15	9999430933	LOCK ASSY, SWING	465
16	9999430921	LOCK ASSY, LEVER FRT, RR WINCH, PROPEL	467
20	9999430970	GRIP ASSY FRT, RR WINCH LEVER	469
21	9999430969	GRIP ASSY FRT, RR WINCH LEVER W/ DRUM TURN SENSOR	471
	9999407221	GRIP ASSY	473
22	9999430963	SWITCH INSTAL FRT, RR WINCH FREE FALL SELECTOR W/ FREE FALL	475
36	9999431000	PEDAL ASSY FOOT ACCELERATOR RH / STD	479
37	9999431004	PEDAL ASSY FOOT ACCELERATOR LH	483
38	9999431005	PEDAL ASSY FOOT ACCELERATOR RH & LH	487
47	9999430999	PEDAL ASSY FRT, RR BRAKE W/ FREE FALL	493
48	9999431002	PEDAL ASSY, BOOM HOIST RH	497
49	9999431003	PEDAL ASSY, BOOM HOIST LH	501
91	9999430846	ELEC ASSY, CAB	505
92	9999430802	ELEC ASSY FLOOR PLATE	507
93	9999430972	SWITCH INSTAL, LIMIT FUNCTION LOCK LEVER	509
94	9999430911	RELAY BOX ASSY	511
95	9999430855	ELEC ASSY, ENGINE	513

Manitowoc MACHINE COMPONENT INDEX

Date: Apr 07, 2011

Rev:

<u>Model Number</u> 8500-1		<u>Serial Number</u> 8500	
Item	Part	Description	Page
96	9999430826	ELEC ASSY, UPP RH DECK	517
97	9999431067	ELEC ASSY, UPP HYD HEATING CIRCUIT	519
98	9999430830	ELEC ASSY, UPP SWING FRAME	523
	9999430973	SWITCH INSTAL, LIMIT BOOM OVER HOIST PREVENTING	525
	9999430913	JUNCTION BOX ASSY	527
99	9999430962	SWITCH INSTAL UPPER IN CAB RH & LH, RR	531
100	9999430956	SWITCH INSTAL DRUM TURN SENSOR RR SIDE / STD	535
101	9999430828	ELEC ASSY, UPP LH DECK	539
	9999430902	CNTRL BOX ASSY	541
	9999430912	RELAY BOX ASSY	543
102	9999430827	ELEC ASSY, UPP GUARD	545
103	9999430831	ELEC ASSY, UPP CWT REMOVABLE	547
105	9999431057	BATTERY INSTAL	549
106	9999423800	BATTERY ASSY (STD. 150AH)	551
107	9999430977	SENSOR INSTAL CARBODY WEIGHT DETECTOR	553
108	9999430974	SENSOR INSTAL CWT DETECTOR 3-CWT	555
109	9999430960	SWITCH INSTAL FREE FALL SPEEDUP LH SIDE W/ FREE FALL	557
110	9999430961	SWITCH INSTAL PLATE LH SIDE W/O FREE FALL	559
111	9999430819	ELEC ASSY, LOWER	561
112	9999430975	SENSOR INSTAL BODY ANGLE SENSOR LOWER BODY	563
113	9999430959	SWITCH INSTAL LH STAND	565
130	9999430957	SWITCH INSTAL ENGINE KEY / MANITOWOC	567
136	9999430958	SWITCH INSTAL BYPASS	571
138	9999430998	MONITOR INSTAL	575
162	9999430849	ELEC ASSY, BOOM LOWER BOOM / OVER HOIST PREVENTING	579

Manitowoc MACHINE COMPONENT INDEX

Date: Apr 07, 2011

Rev:

<u>Model Number</u> 8500-1		<u>Serial Number</u> 8500	
Item	Part	Description	Page
163	9999430851	ELEC ASSY, BOOM LOWER BOOM / HOOK, CLIP	581
164	9999430850	ELEC ASSY, BOOM UPPER BOOM / OVER HOIST PREVENTING	585
165	9999430852	ELEC ASSY, BOOM UPPER BOOM / HOOK, CLIP	587
166	9999430847	ELEC ASSY, JIB CR. JIB / OVER HOIST PREVENTING	589
167	9999430848	ELEC ASSY, JIB CR. JIB / HOOK, CLIP	591
168	9999430829	ELEC ASSY, UPP OVER HOIST PREVENTIVE DEVICE	593
169	9999429956	SWITCH ASSY LIMIT HOOK OVERHOIST	597
	9999429957	SWITCH ASSY LIMIT	599
170	9999429922	SWITCH ASSY LIMIT FOR AUX SHEAVE & JIB	601
	9999429957	SWITCH ASSY LIMIT	603
171	9999430976	SENSOR INSTAL ANGLE BOOM, CR. JIB	605
172	9999430982	ALARM ASSY LIMITER LAMP	607
	9999430799	ALARM, OVER LOAD	609
185	9999431063	LOCK ASSY, DRUM, WINCH FRT, RR	613
211	9999431064	LOCK ASSY, DRUM, WINCH 3RD	617
214	9999430841	CNTRLS, OPERATORS W/ DETENT / 3RD	619
215	9999430838	CNTRLS, OPERATORS W/ FREE FALL / 3RD	623
	9999431001	PEDAL ASSY, BRAKE 3RD	627
216	9999430943	LOCK ASSY, DRUM PLATE LH STAND / 3RD	631
217	9999430964	SWITCH INSTAL 3RD WINCH FREE FALL SELECTOR	633
218	9999430980	POTENTIOMETER TRIMMER INSTAL / 3RD	635
234	9999430839	CNTRLS, OPERATORS FRT, RR PEDAL HOLE COVER W/O FREE FALL	637
242	9999430991	RADIO INSTAL FOR USA	639

Manitowoc MACHINE COMPONENT INDEX

Date: Apr 07, 2011

Rev:

<u>Model Number</u> 8500-1		<u>Serial Number</u> 8500	
Item	Part	Description	Page
243	9999430992	RADIO INSTAL HOLE COVER / STD	641
244	9999430997	CAMERA INSTAL FOR FRT, RR DRUM	643
	9999430770	CAMERA ASSY	645
245	9999430995	CAMERA INSTAL FOR BOOM HOIST DRUM	647
	9999430770	CAMERA ASSY	649
246	9999430996	CAMERA INSTAL FOR RR	651
	9999430769	CAMERA ASSY	653
247	9999430901	CNTRLLER INSTAL FOR CAMERA	655
250	9999430981	ALARM ASSY, BACK	657
251	9999430994	CALL ASSY, ONE-WAY	659
	9999427359	AMPLIFIER	661
252	9999430993	CALL ASSY, ONE-WAY COVER / STD	663
257	9999430900	CNTRLLER ASSY IT / STD	665
		POWER PLANT	
23	9999430821	ENGINE INSTAL	669
24	9999430822	ENGINE, HINO	677
25	9999430922	DRIVE ASSY, PUMP	681
31	9999430944	POWER DIVIDER ASSY	685
33	9999430872	MUFFLER INSTAL	689
34	9999430854	RADIATOR INSTAL	693
35	9999430853	RADIATOR ASSY RADIATOR & OIL COOLER	695
41	9999430868	CLEANER INSTAL, AIR	699
42	9999430867	CLEANER, AIR	701
43	9999430891	TANK INSTAL, FUEL	703
44	9999430892	TANK ASSY, FUEL	705
45	9999430903	PUMP ASSY, FUEL	707
46	9999430899	FUEL LINES	711
	9999431072	FILTER, FUEL	713
		LOWERWORKS	
145	9999430971	DRIVE ASSY, CRAWLER	715

Manitowoc MACHINE COMPONENT INDEX

Date: Apr 07, 2011

Rev:

<u>Model Number</u> 8500-1		<u>Serial Number</u> 8500	
Item	Part	Description	Page
146	9999430562	TUMBLER	717
148	9999430801	IDLER ASSY, CRAWLER	719
149	9999430990	IDLER ADJUST ASSY	721
150	9999431017	ROLLER ASSY CRAWLER	723
	9999429921	ROLLER ASSY	725
	9999427314	UPPERROLLER ASSY	727
151	9999430856	RAIL ASSY, TRUCK	729
152	9999423696	SHOE ASSY(914mm)	731
154	9999430806	CYL ASSY CRAWLER HORIZONTAL	733
155	9999430820	AXLE ASSY, CARBODY	737
175	9999430804	LINK ASSY	739
176	9999430803	SHIM ASSY	741
		CRANE ATTACHMENTS	
139	9999431007	CWT ASSY 3-CWT	743
140	9999431014	WEIGHT ASSY, CARBODY	745
141	9999431008	CWT ASSY, REMOVABLE	749
142	9999431009	CWT ASSY, REMOVABLE	753
143	9999431011	GANTRY ASSY	755
	9999431010	GANTRY ASSY, SUB	759
	9999431016	SPREADER ASSY, LOW	761
	9999431058	LUB LINES, GANTRY	763
156	9999429417	WIRE ROPE ASSY MAIN	765
	9999401111	SOCKET ASSY	767
157	9999429968	WIRE ROPE ASSY FRT	769
	9999401111	SOCKET ASSY	771
158	9999429418	WIRE ROPE ASSY AUX	773
	9999401111	SOCKET ASSY	775
159	9999429969	WIRE ROPE ASSY RR	777
	9999401111	SOCKET ASSY	779
160	9999429416	WIRE ROPE ASSY BOOM	781
161	9999431055	WIRE ROPE ASSY 3RD / 22 x 145m	783
	9999401111	SOCKET ASSY	785

Manitowoc MACHINE COMPONENT INDEX

Date: Apr 07, 2011

Rev:

<u>Model Number</u> 8500-1		<u>Serial Number</u> 8500	
Item	Part	Description	Page
186	9999430824	BOOM ASSY, LOW	787
	9999423589	SWITCH ASSEMBLY - LIMIT (BOOMSIDE)	789
	9999423754	SPREADER ASSY, UPP	791
	9999423763	SPREADER GUIDE ASSY	793
187	9999430825	BOOM ASSY, LOW	795
	9999408197	ANGLE METER INSTAL	797
188	9999430844	BOOM ASSY, UPP	799
	9999431015	SHEAVE ASSY, B.POINT	801
	9999423744	SHEAVE ASSEMBLY - IDLER	803
	9999401069	ROLLER ASSY, GUIDE	805
189	9999430845	BOOM ASSY, UPP	807
190	9999423141	INSERT BOOM(10ft)	809
191	9999423142	INSERT BOOM(20ft)	811
192	9999407762	INSERT BOOM(40ft)	813
193	9999407763	INSERT BOOM(40ft WITH RUG)	815
194	9999408255	SHEAVE ASSY, AUX	817
198	9999430869	JIB ASSY	819
	9999408288	SHEAVE ASSY, J.POINT	821
	9999408210	ROLLER ASSY, GUIDE	823
	9999407855	STRUT ASSY, JIB	825
	9999430060	SHEAVE ASSY, STRUT	827
199	9999430870	JIB ASSY	829
200	9999407836	INSERTJIB (10ft)	831
201	9999401379	INSERTJIB (20ft)	833
202	9999400742	BOOMGUY CABLE (BASE)	835
203	9999408646	BOOMGUY CABLE (10ft)	837
204	9999408648	BOOMGUY CABLE (20ft)	839
205	9999408327	BOOMGUY CABLE (40ft)	841

Manitowoc MACHINE COMPONENT INDEX

Date: Apr 07, 2011

Rev:

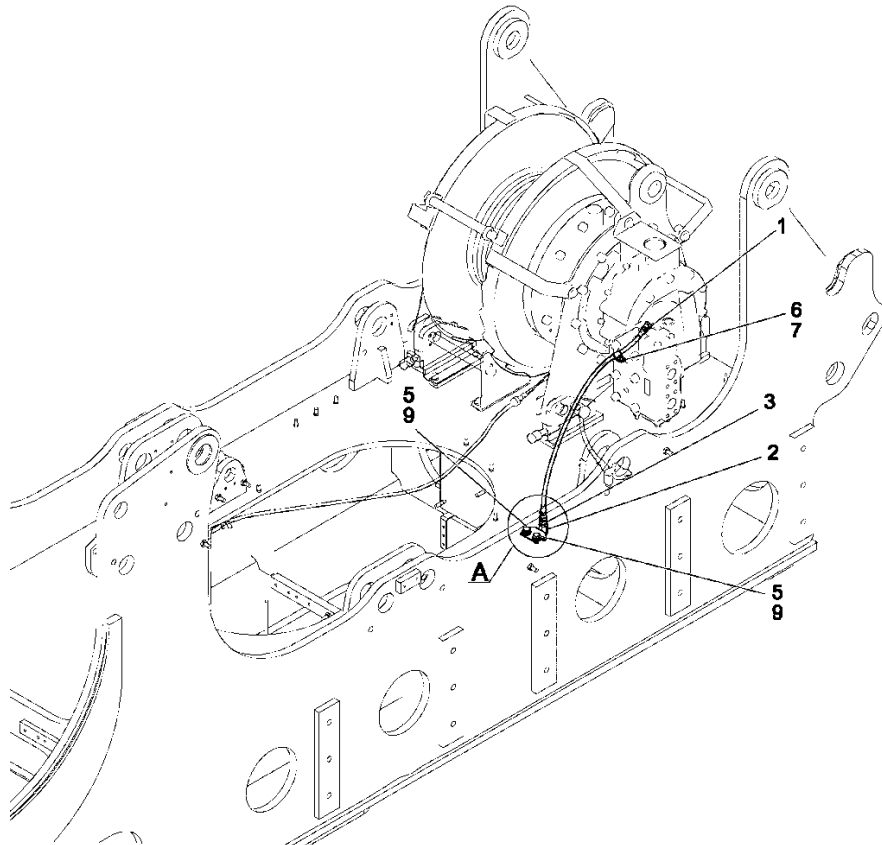
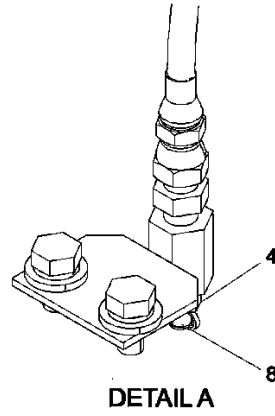
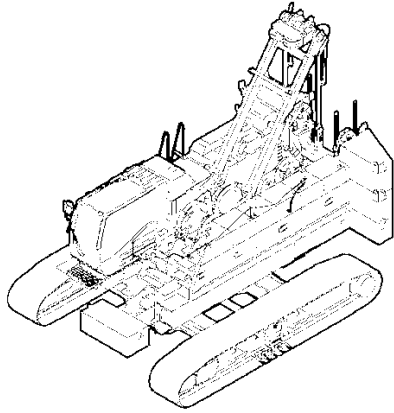
<u>Model Number</u> 8500-1		<u>Serial Number</u> 8500	
Item	Part	Description	Page
206	9999408328	CABLE - JIB GUY	843
207	9999404249	CABLE - JIB GUY (OFFSET ANGLE 30)	845
208	9999404256	CABLE - JIB GUY (JIB SIDE BASE)	847
209	9999408329	CABLE - JIB GUY (10ft INSERT BOOM)	849
210	9999404251	CABLE - JIB GUY (20ft INSERT BOOM)	851
253	9999430823	TRAVELING KIT LOWER GANTRY FIX / STD	853
256	9999431054	EXTINGUISHER INSTAL	855
258	2182140	BALL ASSEMBLY - 15 TON OVERHAUL (COMPLETE ASSEMBLY)	857
259	A10617	HOOK BLOCK ASSEMBLY - 50 TON 3 SHEAVE (COMPLETE ASSEMBLY)	859
260	A10619	BALL ASSEMBLY - 12 TON OVERHAUL (COMPLETE ASSEMBLY)	861
261	A10621	BALL ASSEMBLY - 7 TON OVERHAUL (COMPLETE ASSEMBLY)	863
262	A10622	HOOK BLOCK ASSEMBLY - 75 TON 4 SHEAVE (COMPLETE ASSEMBLY)	865
263	A10632	HOOK BLOCK ASSEMBLY - 100 TON 4 SHEAVE (COMPLETE ASSEMBLY)	869
264	A10641	HOOK BLOCK ASSEMBLY - 60 TON 4 SHEAVE (COMPLETE ASSEMBLY)	873
265	A18115	BALL ASSEMBLY - 12 TON OVERHAUL (COMPLETE ASSEMBLY)	877
266	A18117	BALL ASSEMBLY - 15 TON OVERHAUL (COMPLETE ASSEMBLY)	879

Manitowoc

Notes

Manitowoc

LUB LINES BOOM HOIST



Manitowoc

Description

LUB LINES BOOM HOIST

Assembly No.

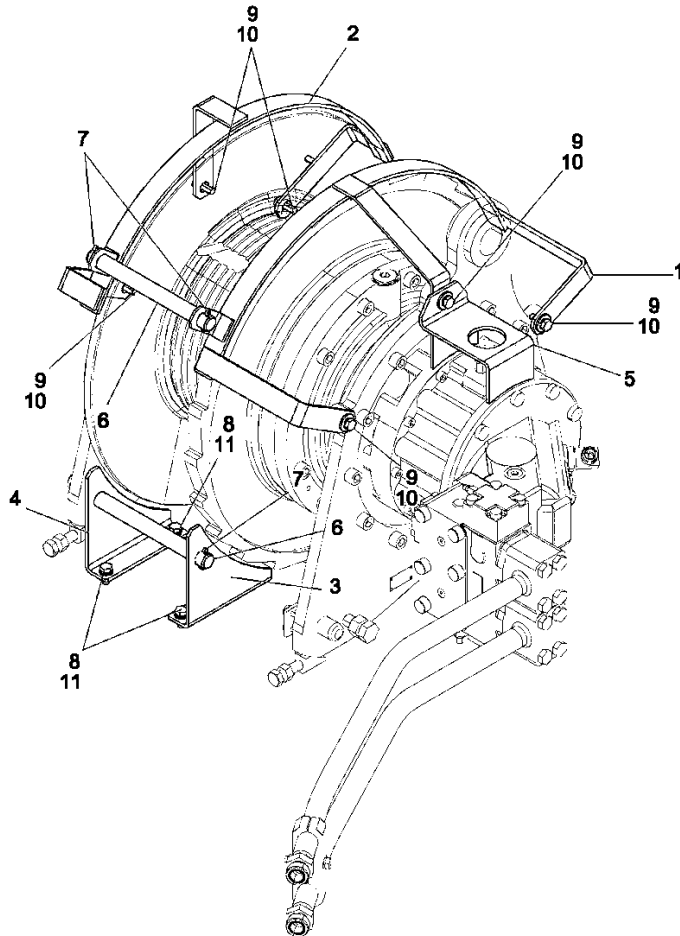
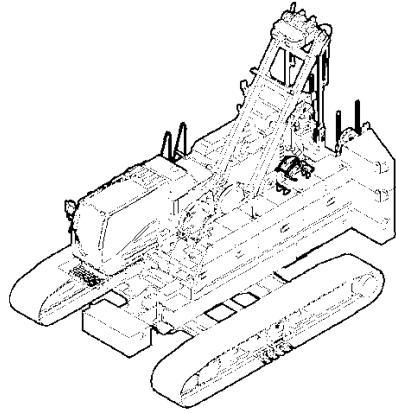
9999431053

Revision:

Item	FN	Part	Qty	Description
1		9999431087	1	HOSE
2		9999423795	1	BRACKET
3		9999424483	1	CONNECTOR
4		9999421342	1	NIPPLE, GREASE
5		9999424510	2	SEMS-BOLT
6		9999424391	1	CLIP
7		9999408710	1	NUT
8		9999422650	1	CAP
9		9999424837	2	WASHER,

Manitowoc

COVER ASSY, DRUM BOOM HOIST



Manitowoc

Description

COVER ASSY, DRUM BOOM HOIST

Assembly No.

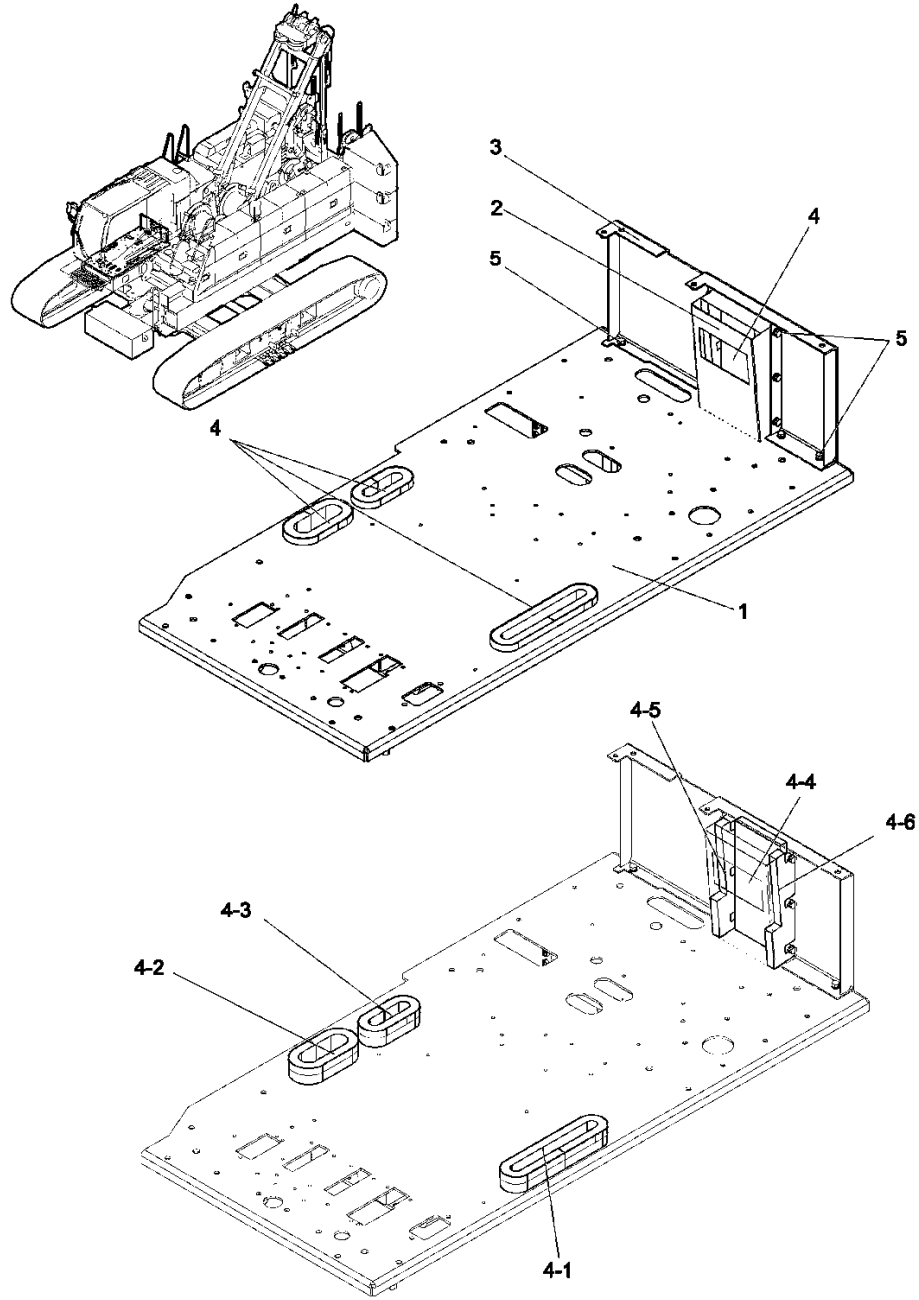
9999430906

Revision:

Item	FN	Part	Qty	Description
1		9999431588	1	COVER
2		9999431589	1	COVER
3		9999431578	1	BRKT
4		9999431579	1	BRKT
5		9999430485	1	COVER
6		9999423389	2	PIN
7		9999419814	4	PIN
8		9999424511	4	SEMS-BOLT
9		9999419659	6	CAPSCREW
10		9999422194	6	WASHER,
11		9999424855	4	WASHER,

PLATE ASSY, FLOOR

GG03M01215F1



DETAIL ITEM 4

Manitowoc

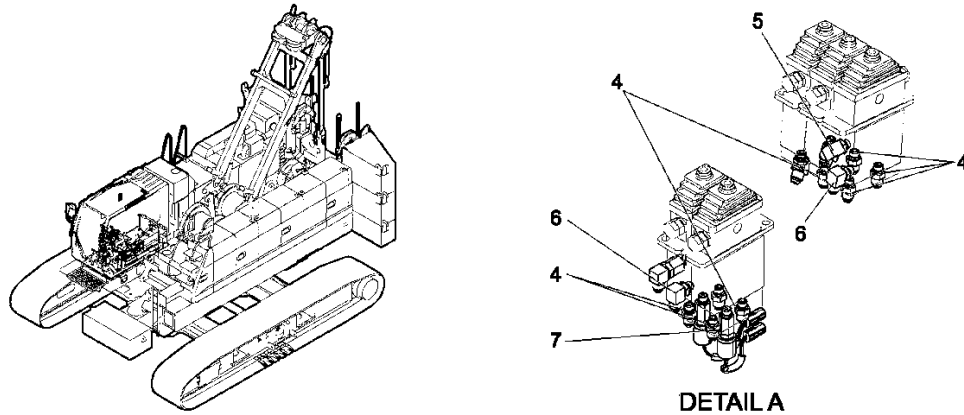
Description
PLATE ASSY, FLOOR

Assembly No.
9999430842
Revision:

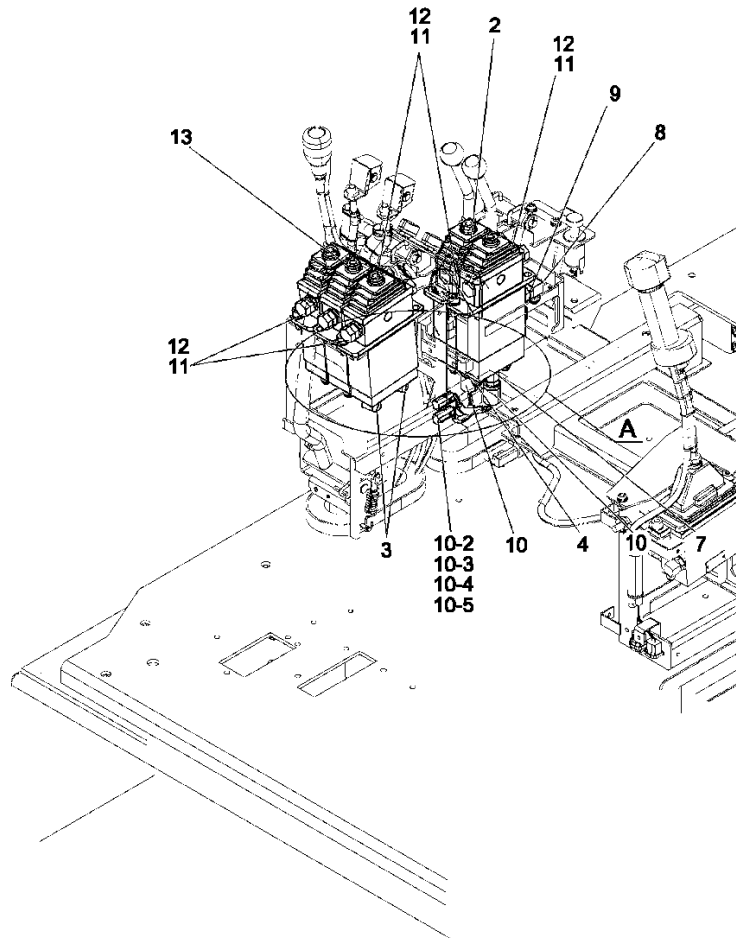
Item	FN	Part	Qty	Description
1		9999431326	1	PLATE, FLOOR
2		9999431323	1	BRKT
3		9999431325	1	BRKT
4		9999431625	1	INSULATION INSTAL
4-1		9999431648	1	INSULATION
4-2		9999431649	1	INSULATION
4-3		9999431650	1	INSULATION
4-4		9999431651	1	INSULATION
4-5		9999431652	1	INSULATION
4-6		9999431653	1	INSULATION
5		9999424521	10	SEMS-BOLT

Manitowoc

VALVE INSTAL REMOTE CONTROL ELEC. VALVE / MECHANICAL DETENT



DETAIL A



Manitowoc

Description

**VALVE INSTAL REMOTE CNTRL ELEC. VALVE / MECHANICAL
DETENT**

Assembly No.

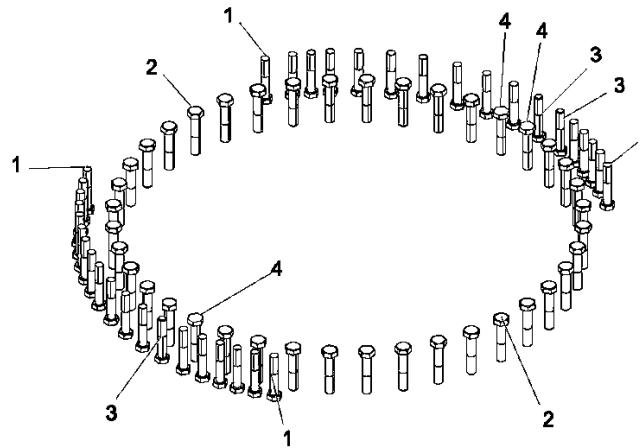
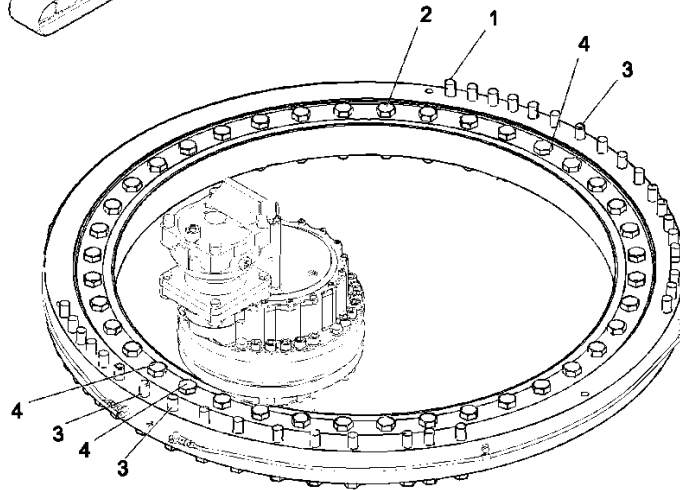
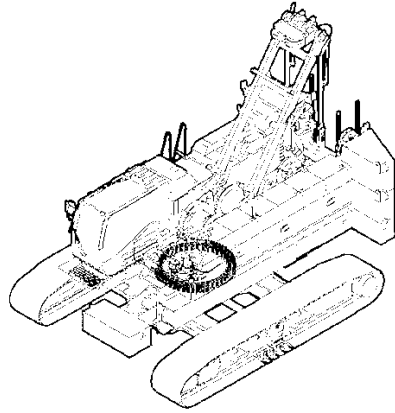
9999431020

Revision:

Item	FN	Part	Qty	Description
2		9999421462	1	VALVE, PILOT
3		9999422527	2	ELBOW, 45
4		9999422541	8	CONNECTOR
5		9999405284	1	ELBOW, 90
6		9999424062	2	ELBOW, 90
7		9999405241	2	CONNECTOR
8		9999424488	1	ELBOW, 90
9		9999431134	1	CONNECTOR
10		9999421470	2	SWITCH, PRESSURE
10-2		9999406224	1	CONNECTOR
10-3		9999406232	1	HOLDER
10-4		9999406231	2	SEAL
10-5		9999406214	2	TERMINAL
11		9999424764	5	CAPSCREW
12		9999424867	5	LOCK WASHER
13		9999431691	1	VALVE, PILOT

Manitowoc

BEARING INSTAL, SWING



DETAIL ITEM 1,2,3,4

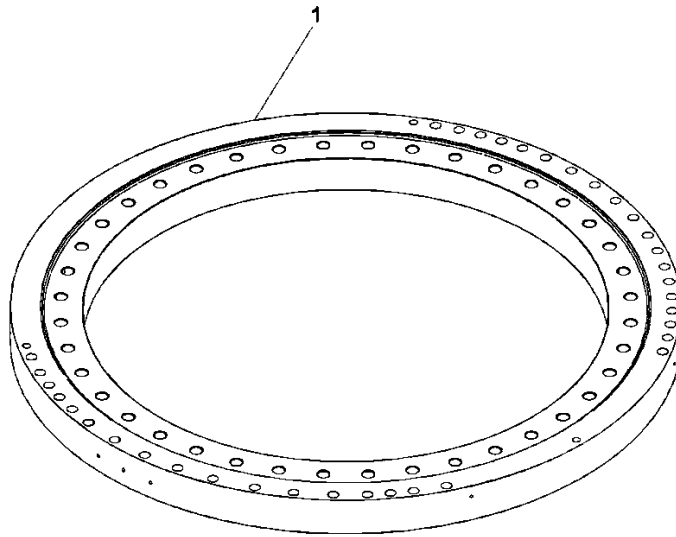
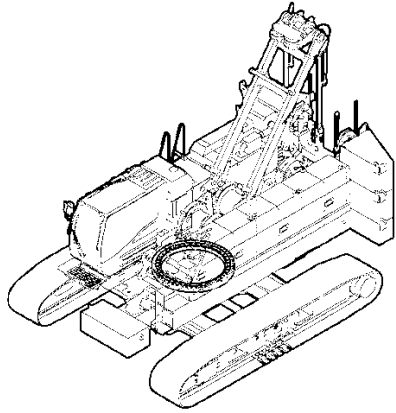
Manitowoc

Description
BRG INSTAL,SWING

Assembly No.
9999430949
Revision:

Item	FN	Part	Qty	Description
1		9999432062	33	CAPSCR
2		9999431765	37	CAPSCR
3		9999431764	3	CAPSCR
4		9999431766	3	CAPSCR

BEARING ASSY, SWING



Manitowoc

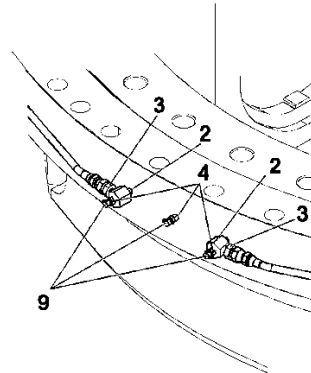
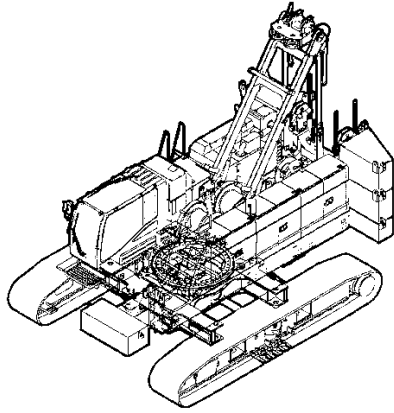
Description
BRG ASSY, SWING

Assembly No.
9999430950
Revision:

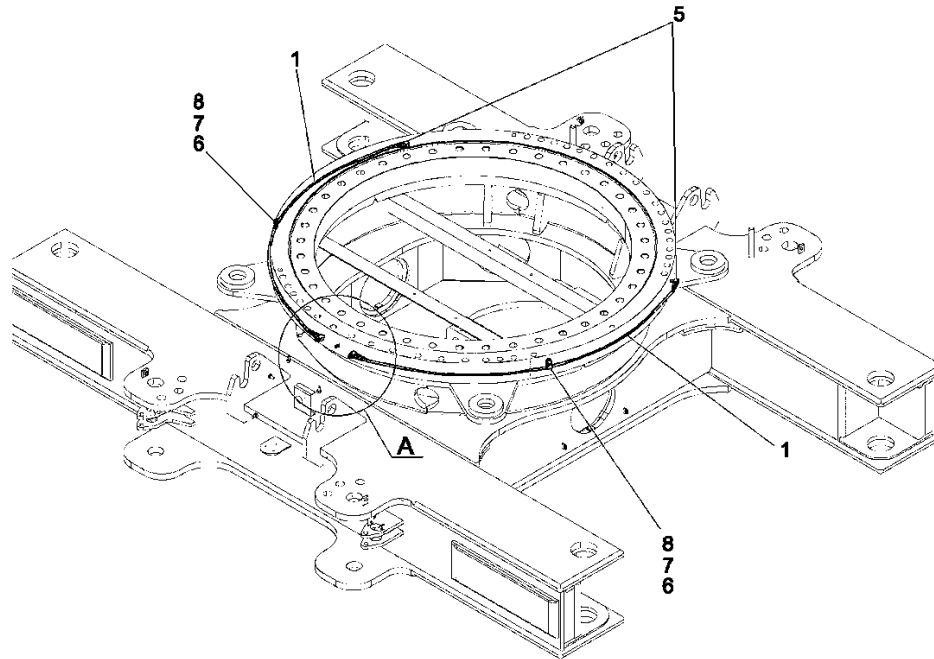
Item	FN	Part	Qty	Description
1		9999431763	1	BRG ASSY, SWING

Manitowoc

LUB LINES, BRG, SWING



DETAIL A



Manitowoc

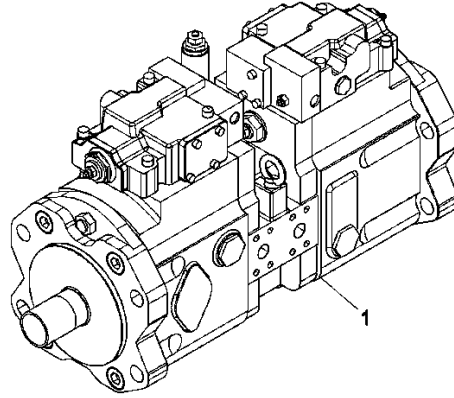
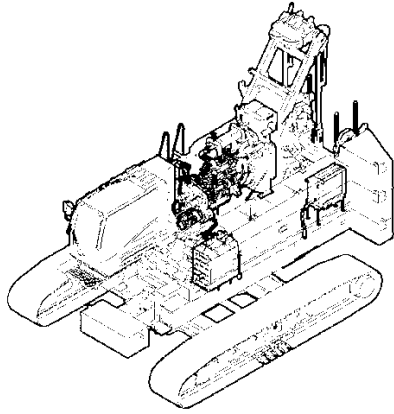
Description
LUB LINES, BRG, SWING

Assembly No.
9999431060
Revision:

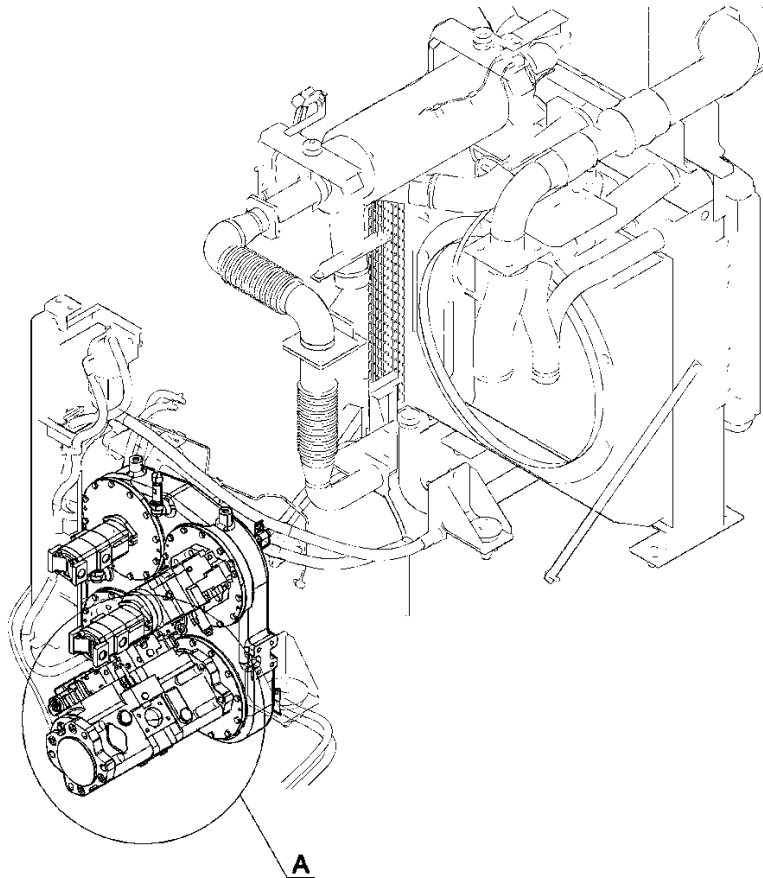
Item	FN	Part	Qty	Description
1		9999431089	2	HOSE
2		9999406315	2	CONNECTOR
3		9999422536	2	CONNECTOR
4		9999421341	3	NIPPLE, GREASE
5		9999424494	2	ELBOW, 90
6		9999424392	2	CLIP
7		9999424691	2	CAPSCREW
8		9999424877	2	LOCK WASHER
9		9999422650	3	CAP

Manitowoc

PUMP ASSY, HYD
WINCH



DETAIL A



Manitowoc

Description

PUMP ASSY, HYD WINCH

Assembly No.

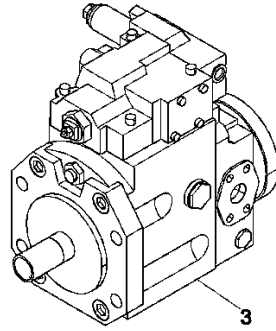
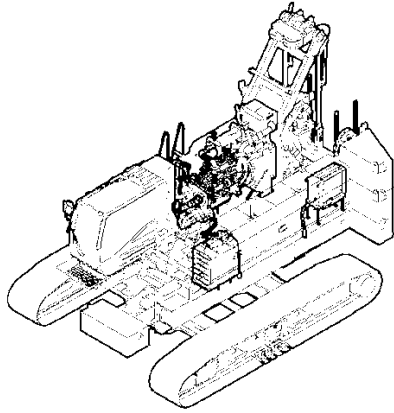
9999430865

Revision:

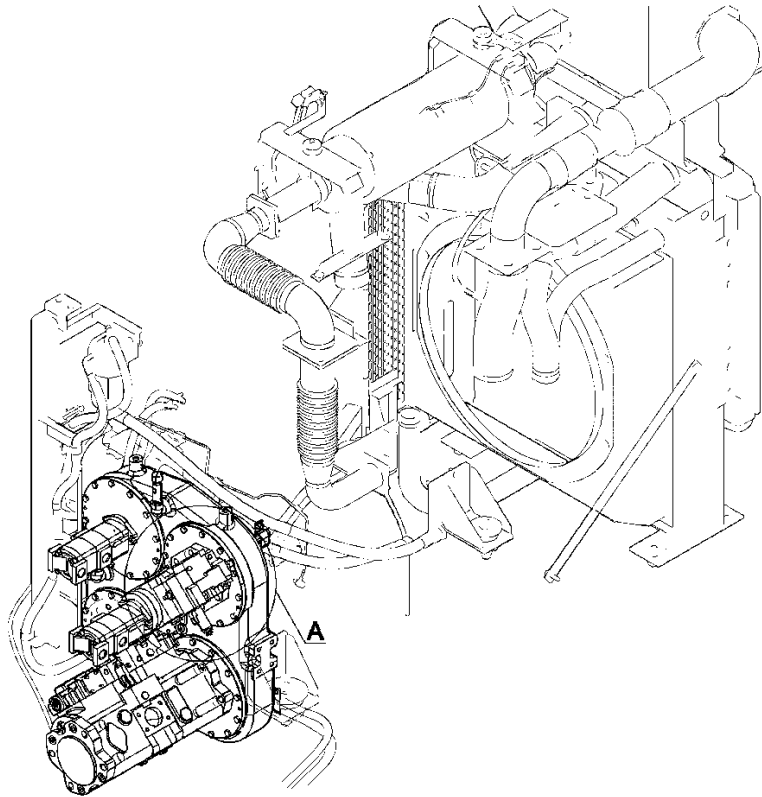
Item	FN	Part	Qty	Description
1		9999431343	1	PUMP ASSY, HYD

Manitowoc

PUMP ASSY, HYD
SWING



DETAIL A



Manitowoc

Description

PUMP ASSY, HYD SWING

Assembly No.

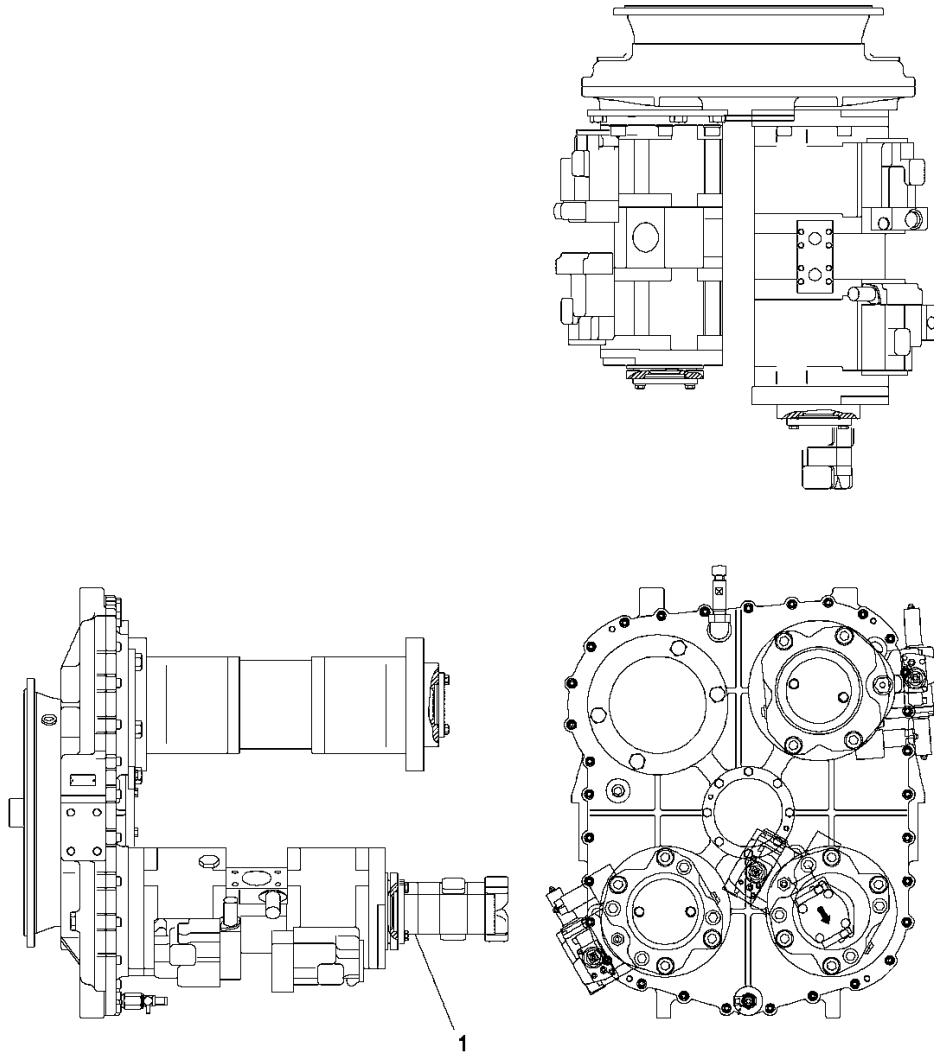
9999430866

Revision:

Item	FN	Part	Qty	Description
3		9999431342	1	PUMP, HYD

Manitowoc

PUMP ASSY, GEAR AUX. ACTUATOR



Manitowoc

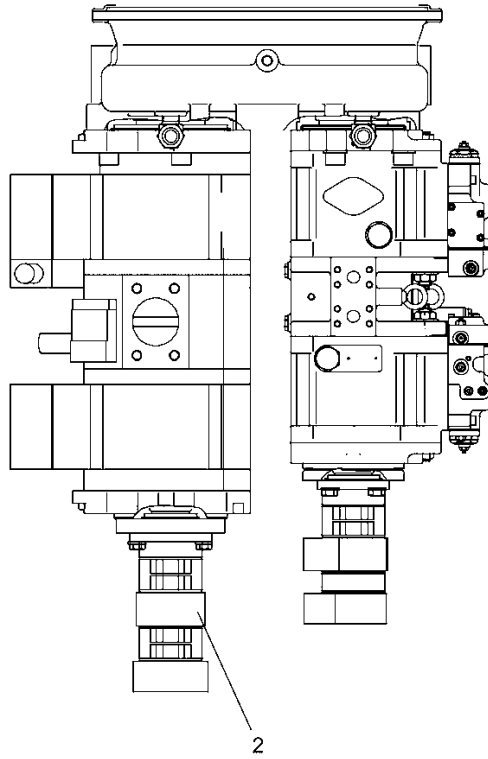
Description
PUMP ASSY, GEAR AUX. ACTUATOR

Assembly No.
9999430458
Revision:

Item	FN	Part	Qty	Description
1		9999421478	1	PUMP ASSEMBLY - HYDRAULIC GEAR

Manitowoc

PUMP ASSY, GEAR
COOLER



Manitowoc

Description

PUMP ASSY, GEAR COOLER

Assembly No.

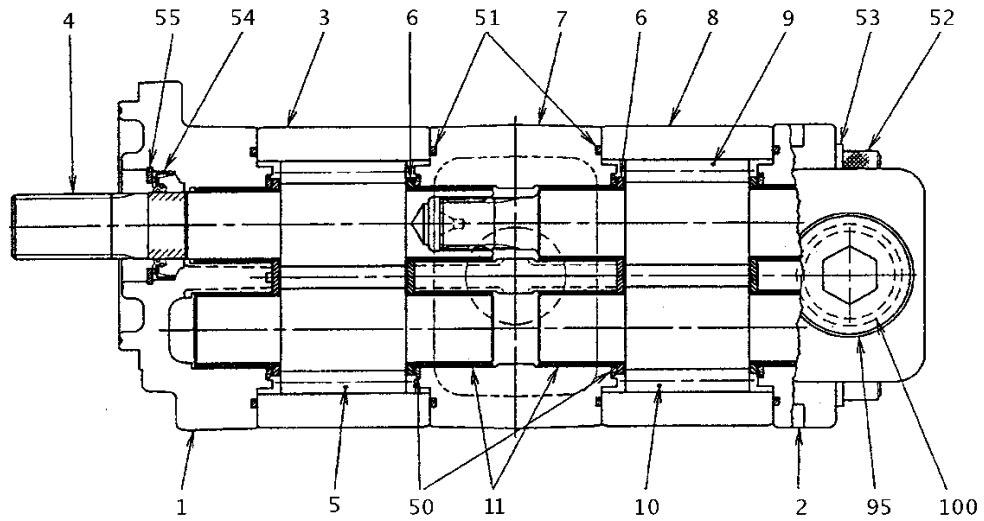
9999430459

Revision:

Item	FN	Part	Qty	Description
2		9999421479	1	PUMP ASSEMBLY - HYDRAULIC GEAR

Manitowoc

PUMP, HYD



900

REPAIR KIT
- CONSISTS OF ITEM -

50,51,54,55,95,100

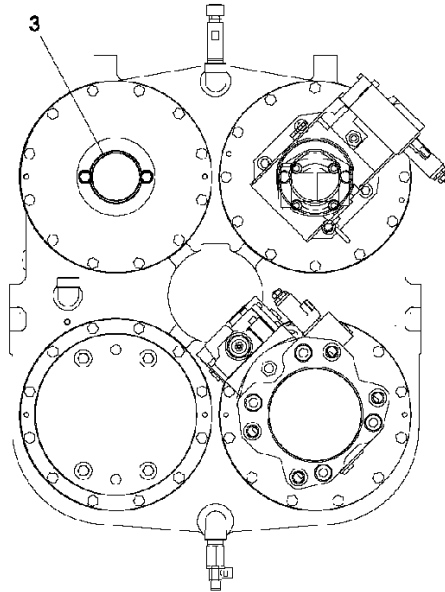
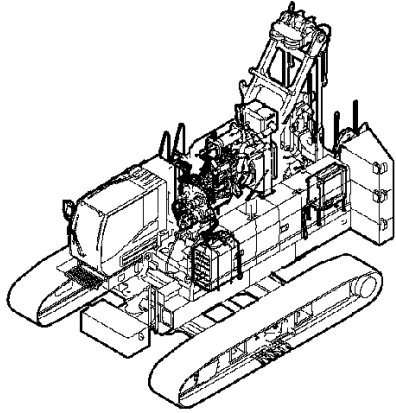
Manitowoc

Description
PUMP ASSEMBLY - HYDRAULIC GEAR

Assembly No.
9999421479
 Revision:

Item	FN	Part	Qty	Description
1		9999430657	1	COVER, FR.
2		9999430658	1	COVER, RE.
3		9999430667	1	BODY
4		9999430668	1	GEAR
5		9999430669	1	GEAR
6		9999430659	4	PLATE, SIDE
7		9999430660	1	BODY
8		9999430670	1	BODY
9		9999430671	1	GEAR
10		9999430672	1	GEAR
11		9999430661	8	BUSHING
50		9999430662	4	GASKET
51		9999430663	4	GASKET
52		9999430673	4	CAPSCR
53		9999430674	4	WSHR
54		9999430664	1	OIL SEAL
55		9999430675	1	RING, RETAINING
95		9999430665	1	PLUG
100		9999430666	1	O-RING
900		9999430656	1	REPAIR KIT

PUMP ASSY, GEAR
FLANGE / WITHOUT FREE FALL



203-06-1

161

(07)

Manitowoc

Description

PUMP ASSY, GEAR FLANGE W/O FREE FALL

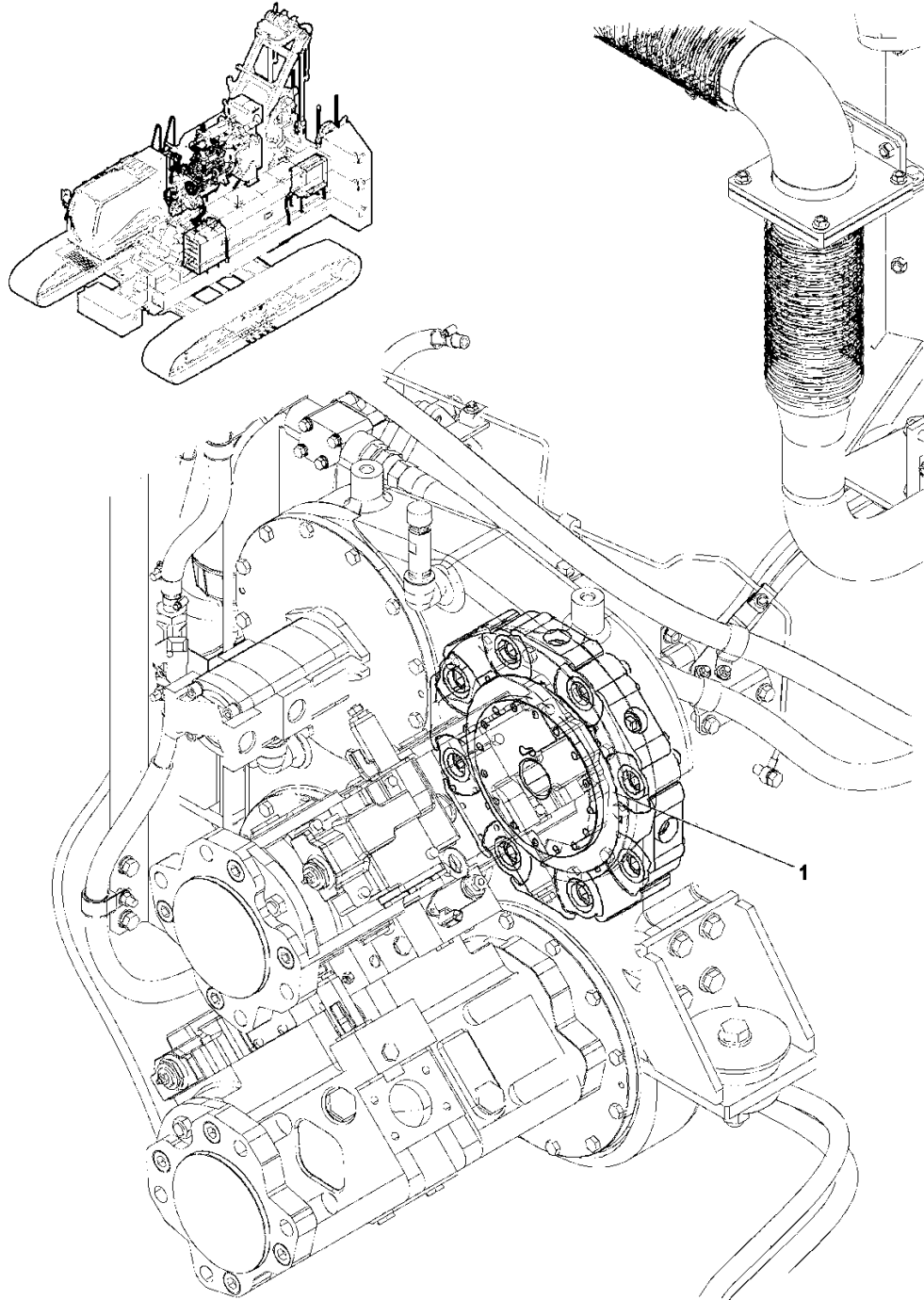
Assembly No.

9999431071

Revision:

Item	FN	Part	Qty	Description
3		9999423472	1	FLANGE

COUPLING



Manitowoc

Description
COUPLING

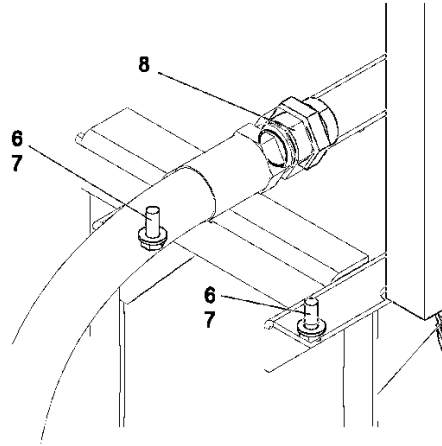
Assembly No.
9999430923
Revision:

Item	FN	Part	Qty	Description
1		9999431686	1	COUPLING

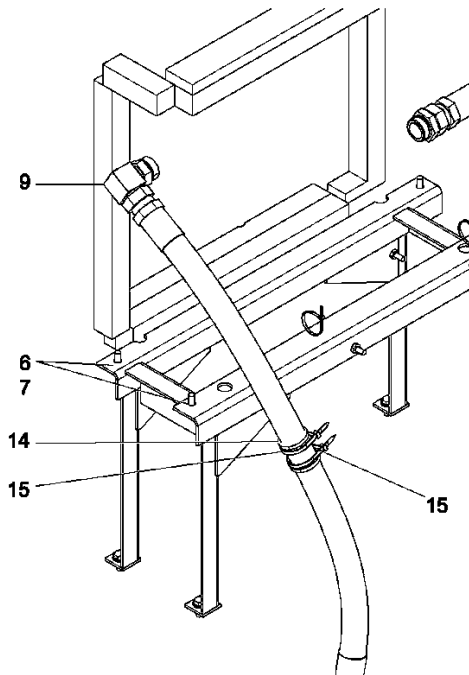
Manitowoc

Notes

Manitowoc



DETAIL A



VIEW B

Manitowoc

Description

COOLER INSTAL, OIL

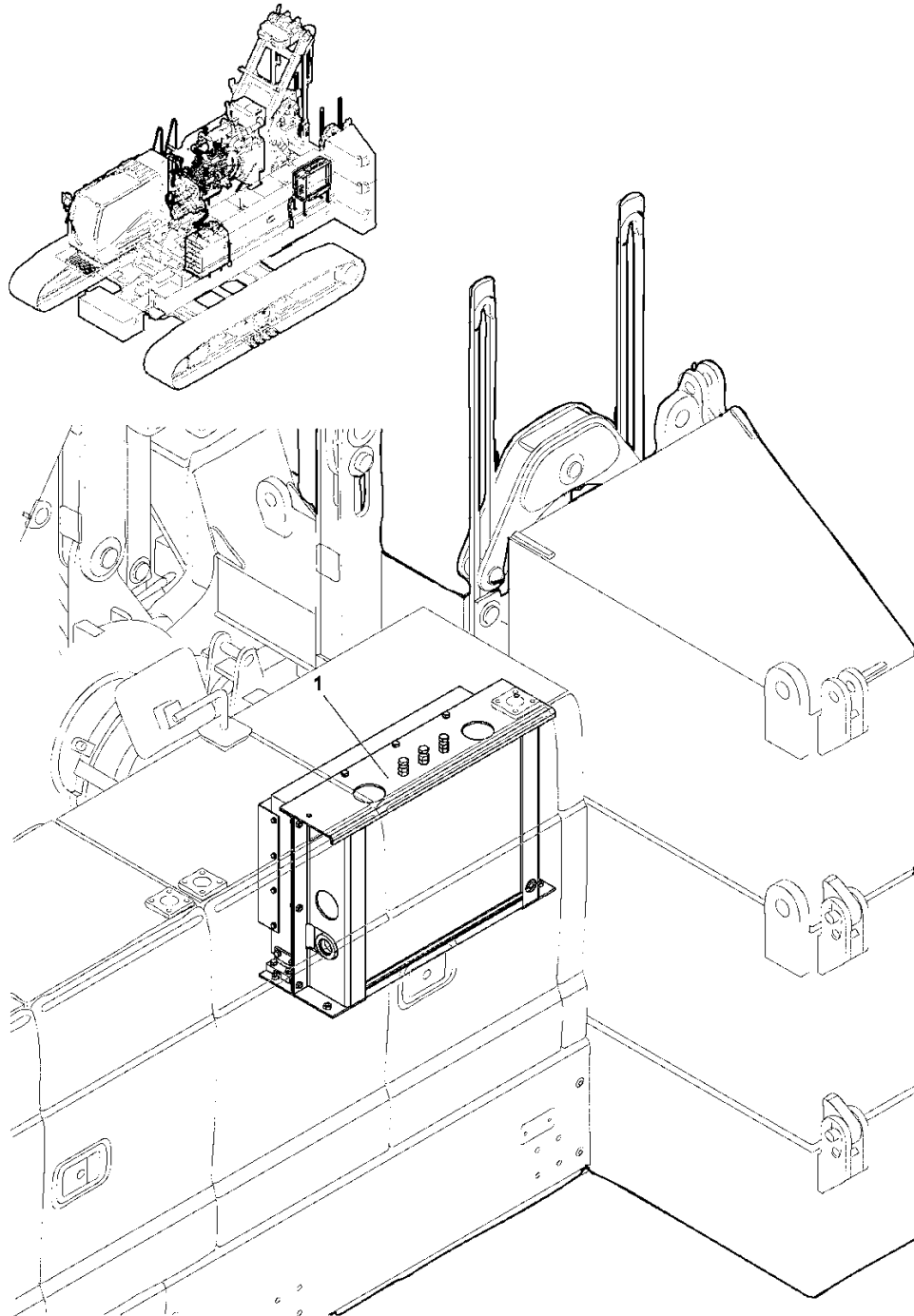
Assembly No.

9999430946

Revision:

Item	FN	Part	Qty	Description
1		9999431748	1	INSULATION
2		9999431749	1	INSULATION
3		9999431750	3	INSULATION
4		9999431752	1	INSULATION
5		9999422675	2	CLIP
6		9999424838	8	WASHER,
7		9999424703	8	CAPSCREW
8		9999431124	1	CONNECTOR
9		9999431125	1	ELBOW, 90
10		9999431123	1	HOSE ASSY
11		9999431122	1	HOSE ASSY
12		9999431924	1	BRKT
13		9999431755	2	INSULATION
14		9999424284	1	BUSHING
15		9999406275	2	CLIP

COOLER, OIL



Manitowoc

Description
COOLER, OIL

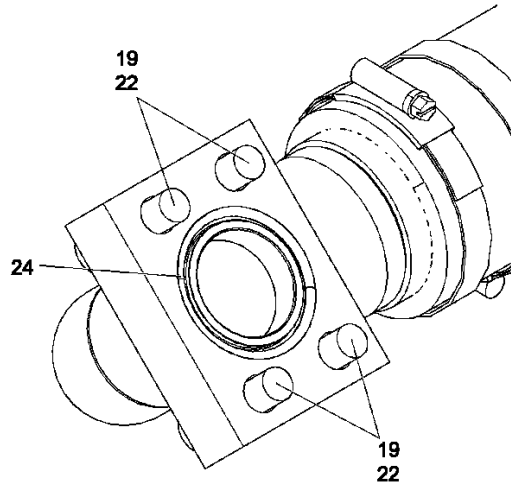
Assembly No.
9999430988
Revision:

Item	FN	Part	Qty	Description
1		9999431929	1	COOLER, OIL

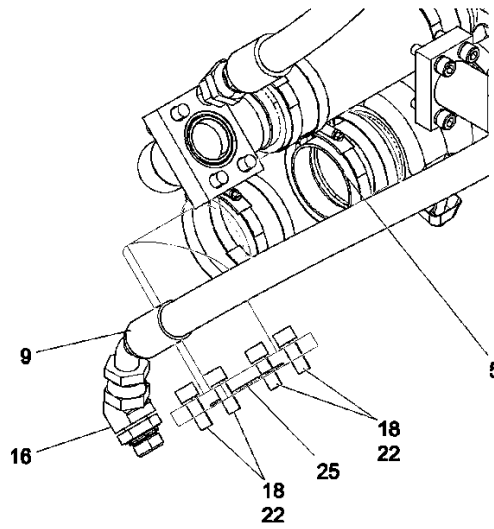
Manitowoc

Notes

Manitowoc

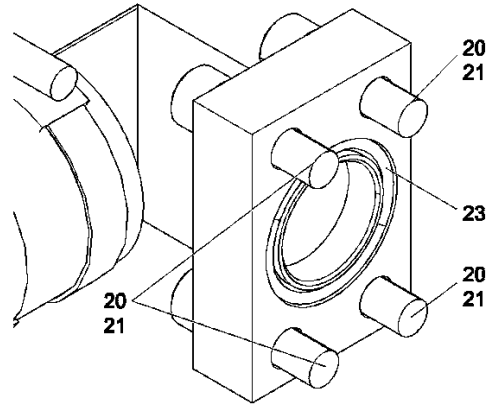
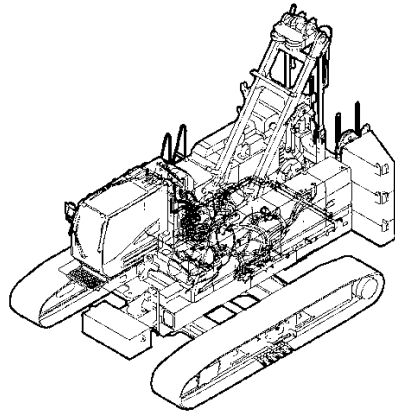


VIEW B

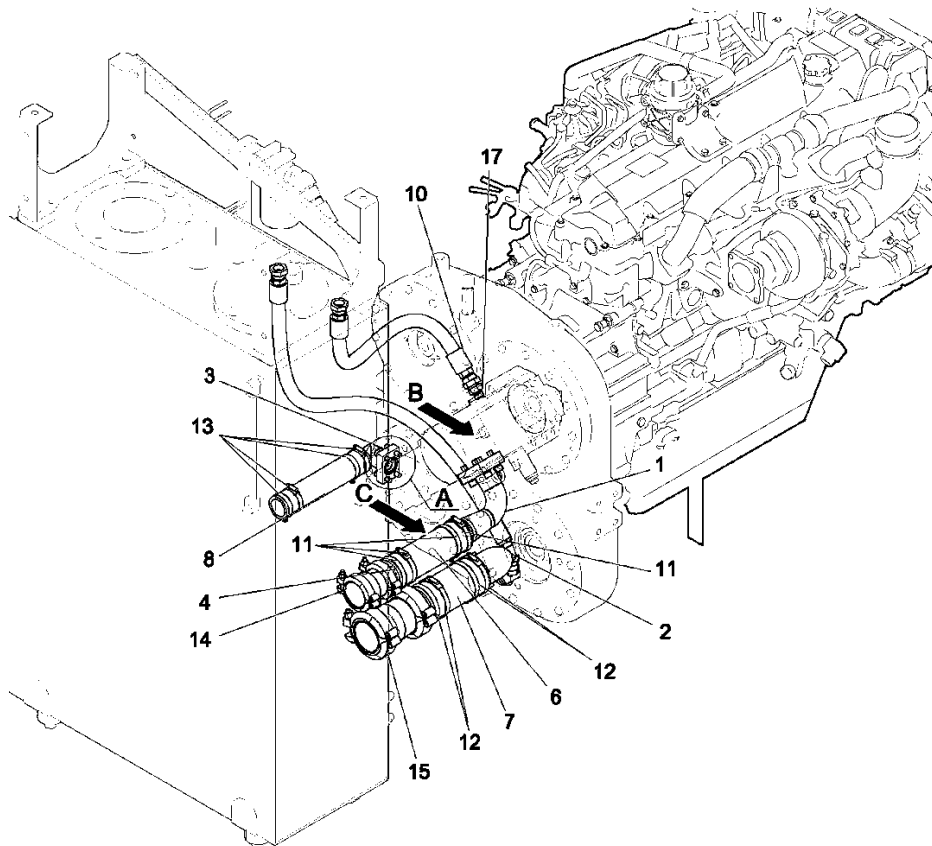


VIEW C

HYD LINES, SUCTION



DETAIL A



Manitowoc

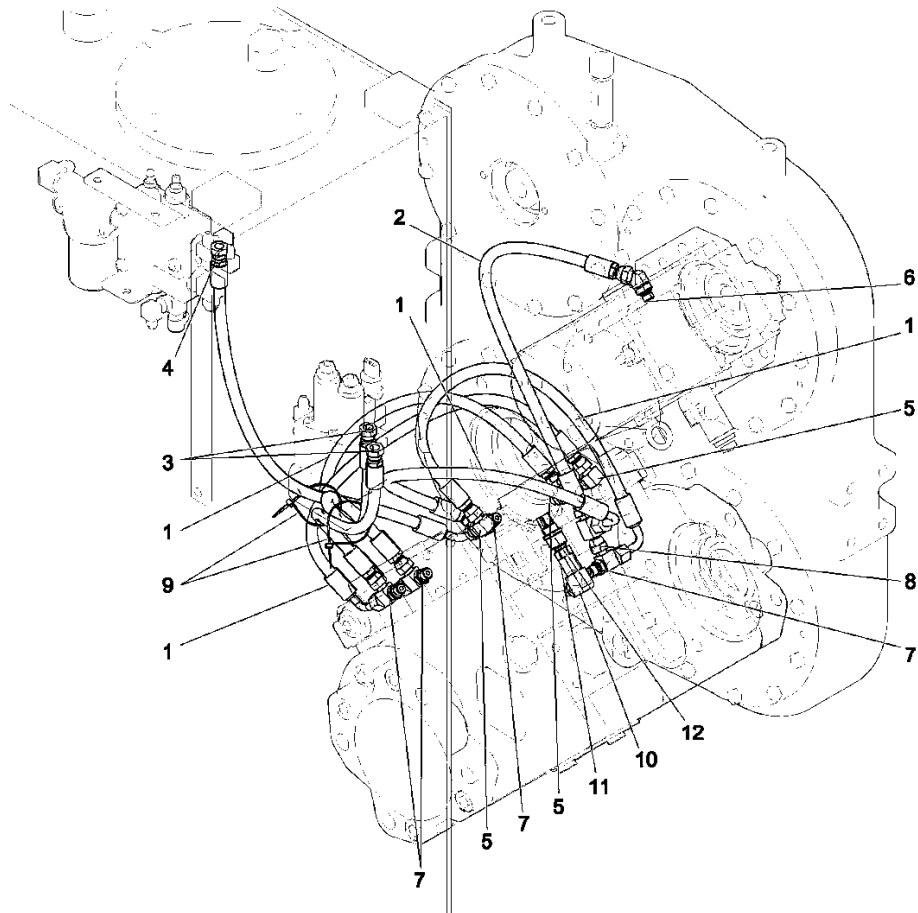
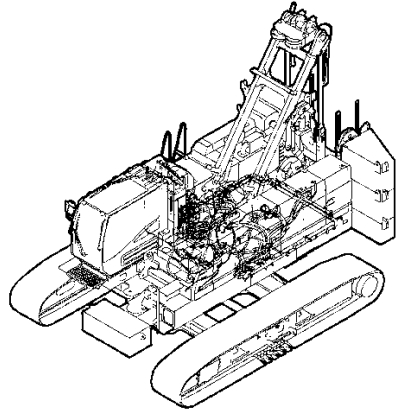
Description
HYD LINES, SUCTION

Assembly No.
9999430920
 Revision:

Item	FN	Part	Qty	Description
1		9999423463	1	TUBE
2		9999431679	1	TUBE LINE
3		9999423464	1	TUBE
4		9999431681	1	TUBE
5		9999431680	1	TUBE
6		9999405127	1	HOSE
7		9999431118	1	HOSE
8		9999431119	1	HOSE
9		9999432336	1	HOSE ASSY
10		9999432249	1	HOSE ASSY
11		9999424375	4	CLIP
12		9999424377	4	CLIP
13		9999432184	4	CLIP
14		9999432189	1	COUPLING
15		9999432190	1	COUPLING
16		9999428814	1	ELBOW, 45
17		9999431126	1	CONNECTOR
18		9999424770	4	CAPSCREW
19		9999424772	4	CAPSCREW
20		9999423467	4	CAPSCREW
21		9999424867	4	LOCK WASHER
22		9999424868	8	LOCK WASHER
23		9999424435	1	O-RING
24		9999419310	1	O-RING
25		9999422629	1	O-RING

Manitowoc

HYD LINES, PUMP



Manitowoc

Description
HYD LINES, PUMP

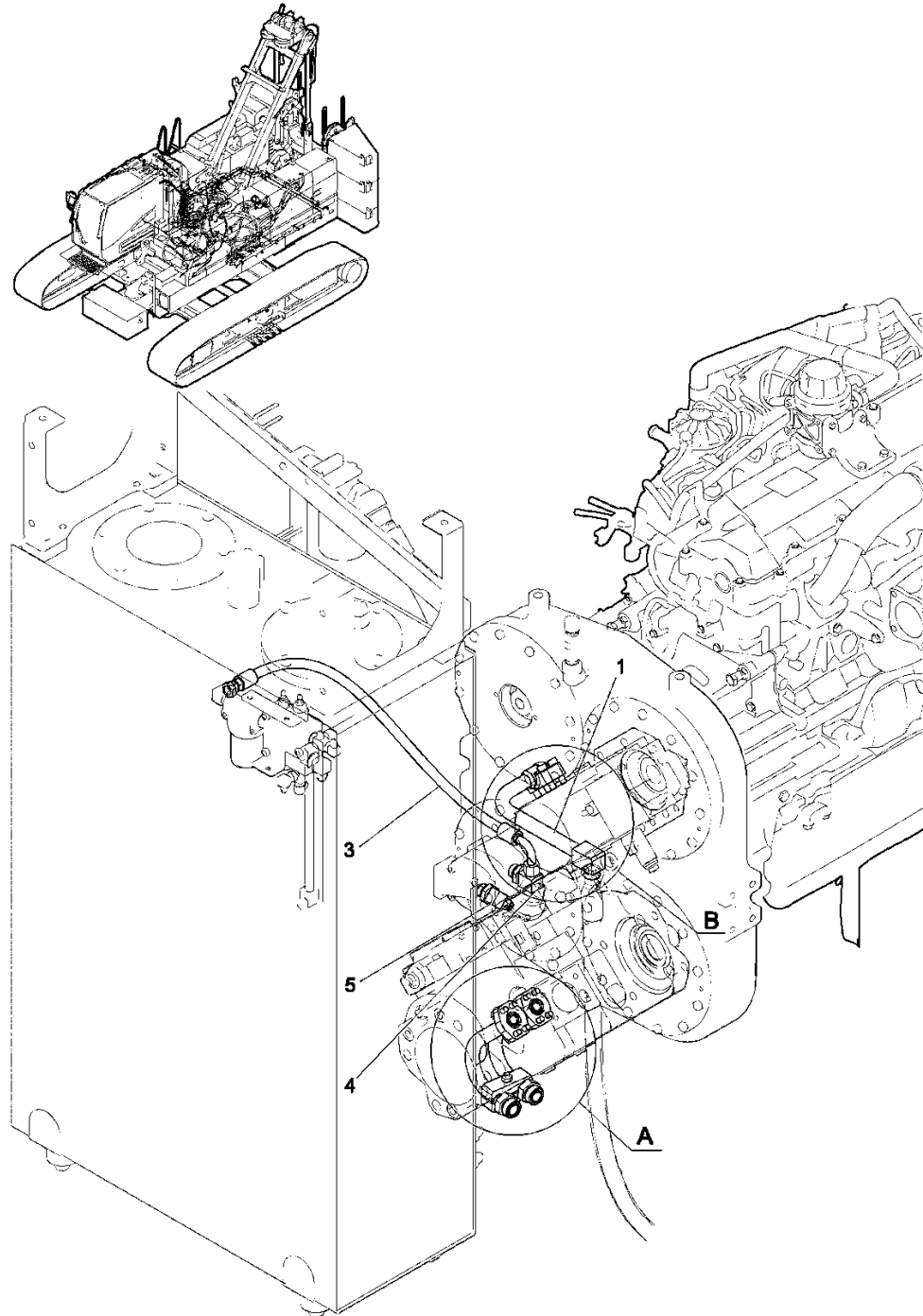
Assembly No.
9999430919
Revision:

Item	FN	Part	Qty	Description
1		9999432315	4	HOSE ASSY
2		9999432258	1	HOSE ASSY
3		9999427774	2	HOSE ASSY
4		9999432317	1	HOSE ASSY
5		9999424486	3	ELBOW, 90
6		9999424496	1	ELBOW, 45
7		9999422540	4	TEE
8		9999422543	1	TEE
9		9999422675	2	CLIP
10		9999426071	1	ELBOW, 90
11		9999431165	1	CONNECTOR
12		9999430134	1	SENSOR, PRESS

Manitowoc

Notes

HYD LINES, DELIVERY



Manitowoc

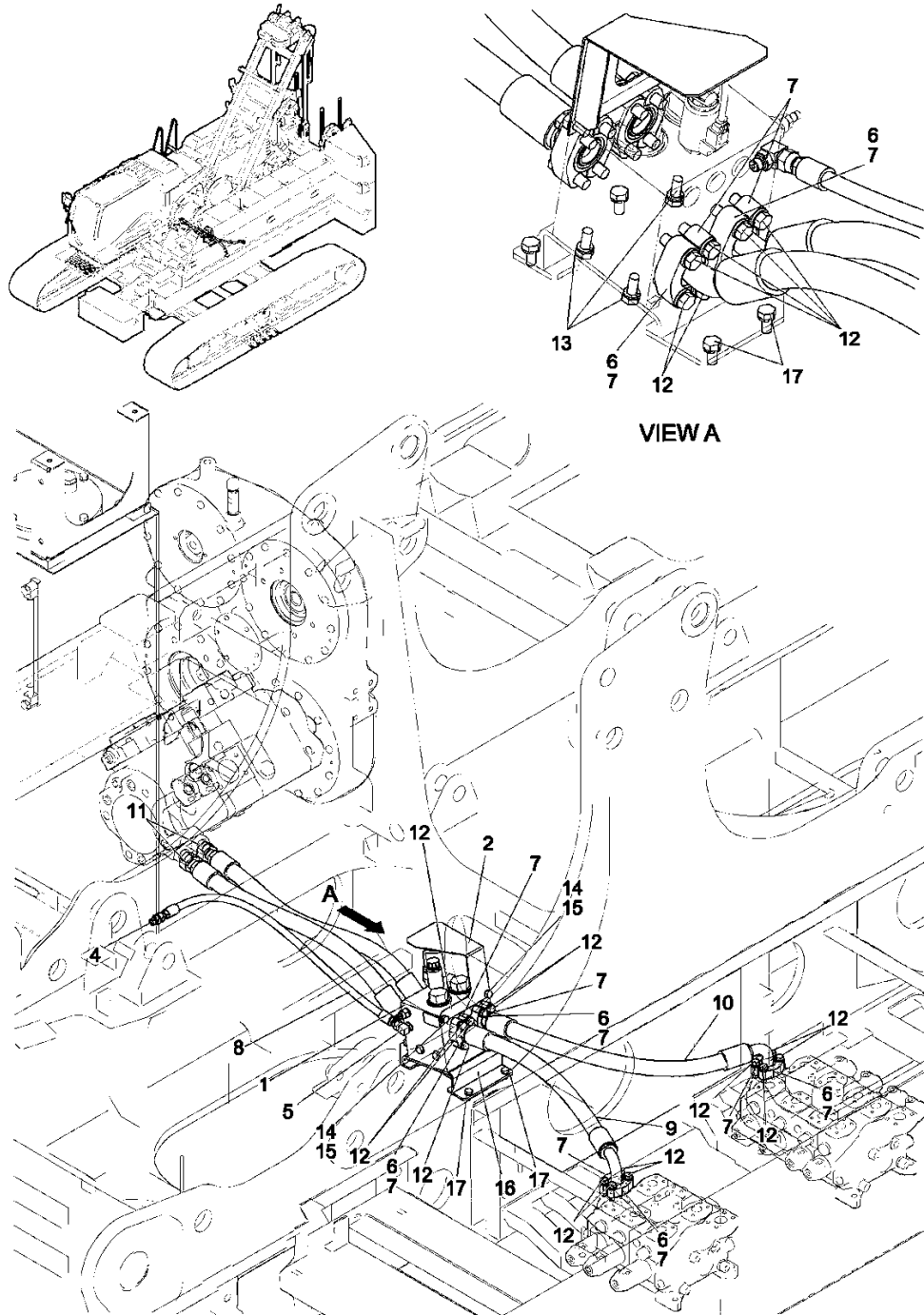
Description
HYD LINES, DELIVERY

Assembly No.
9999430930
Revision:

Item	FN	Part	Qty	Description
1		9999431699	1	TUBE LINE
2		9999431700	2	TUBE LINE
3		9999432328	1	HOSE ASSY
4		9999424491	1	ELBOW, 90
5		9999426464	1	ELBOW, 45
6		9999424695	8	CAPSCREW
7		9999424877	9	LOCK WASHER
8		9999424772	4	CAPSCREW
9		9999424424	2	O-RING
10		9999424432	2	O-RING
11		9999424434	1	O-RING
12		9999431701	2	CLAMP
13		9999424699	1	CAPSCREW
14		9999424567	1	NUT
15		9999424423	1	O-RING

Manitowoc

HYD LINES, DELIVERY DPR CIRCUIT



Manitowoc

Description

HYD LINES, DELIVERY DPR CIRCUIT

Assembly No.

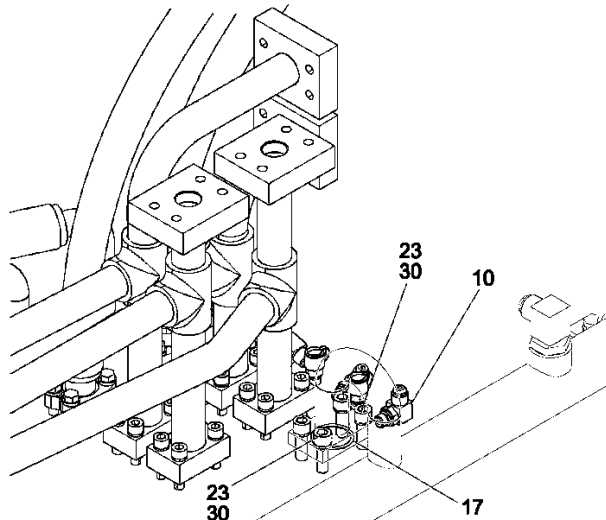
9999430932

Revision:

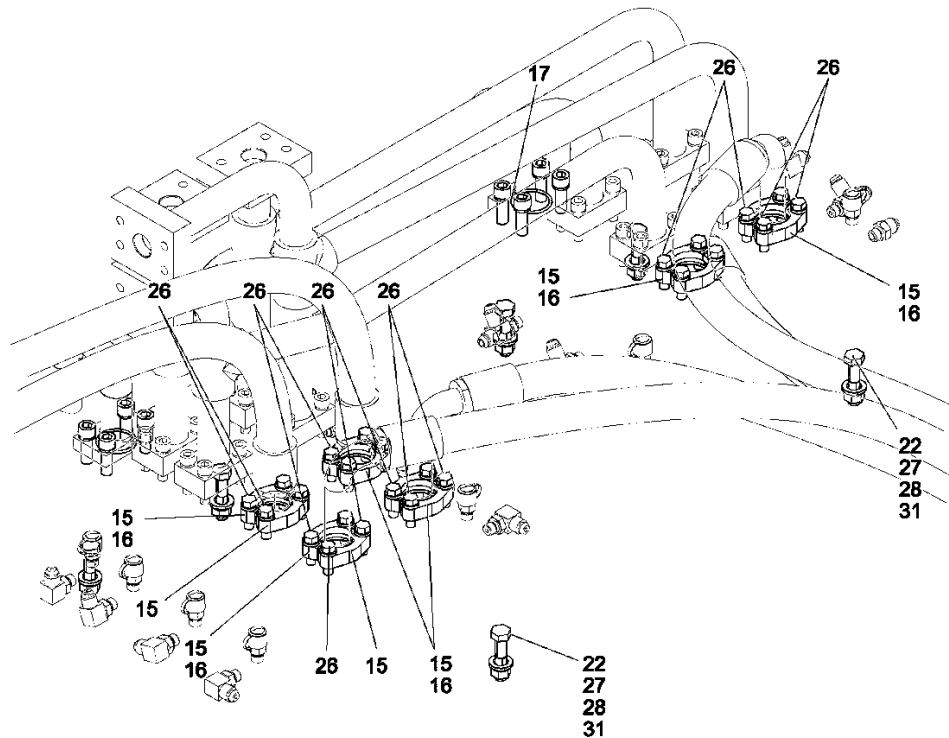
Item	FN	Part	Qty	Description
1		9999431463	1	VALVE ASSY, HYD
2		9999431703	1	COVER
4		9999424477	1	CONNECTOR
5		9999421210	1	ELBOW, 90
6		9999424434	6	O-RING
7		9999424444	12	FLANGE
8		9999432243	1	HOSE ASSY
9		9999432306	1	HOSE ASSY
10		9999432307	1	HOSE ASSY
11		9999432335	2	HOSE ASSY
12		9999432058	24	SEMS-BOLT
13		9999424511	4	SEMS-BOLT
14		9999424877	2	LOCK WASHER
15		9999424693	2	BOLT
16		9999431702	1	BRKT
17		9999424510	4	SEMS-BOLT

Manitowoc

Notes



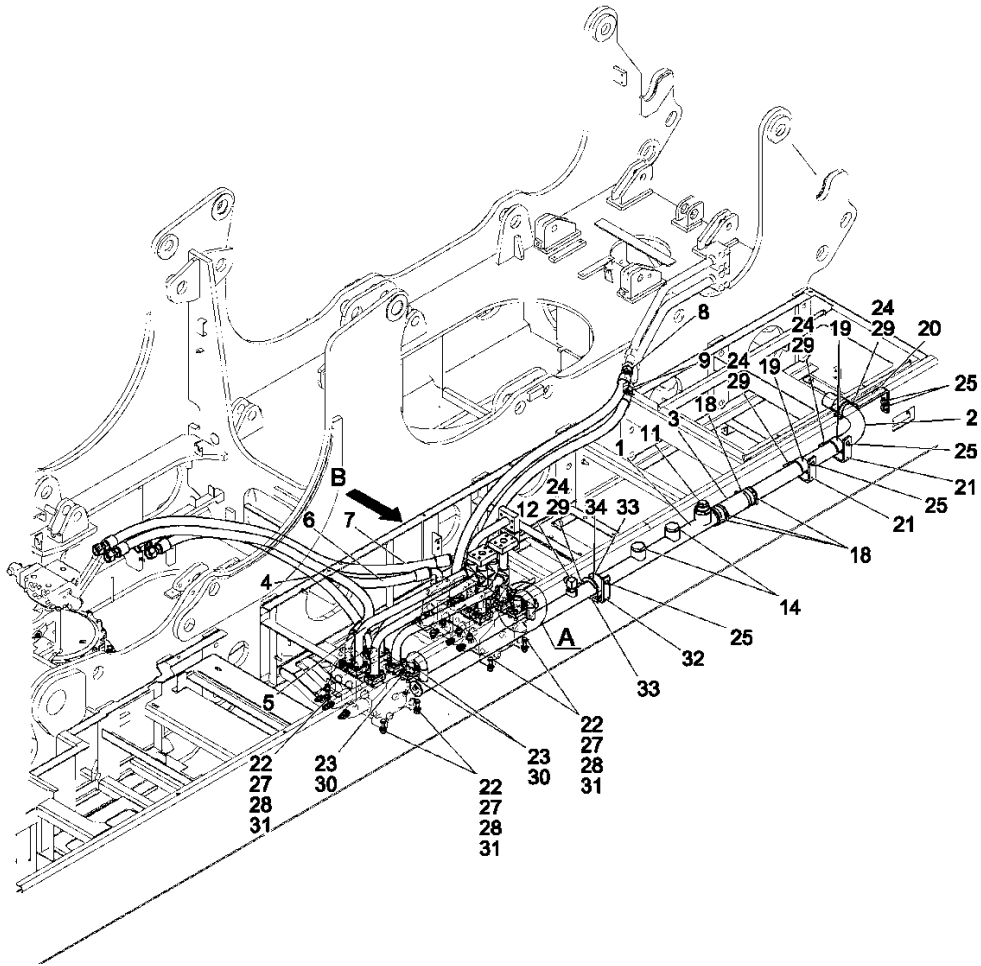
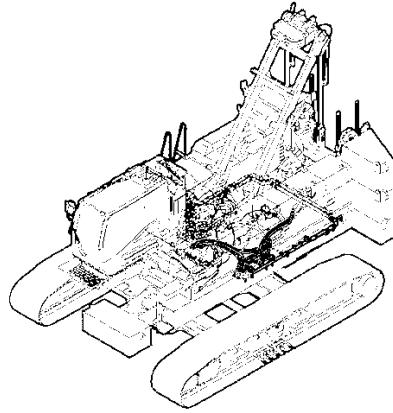
DETAILA



VIEW B

Manitowoc

HYD LINES, L/H



Manitowoc

Description
HYD LINES, LH

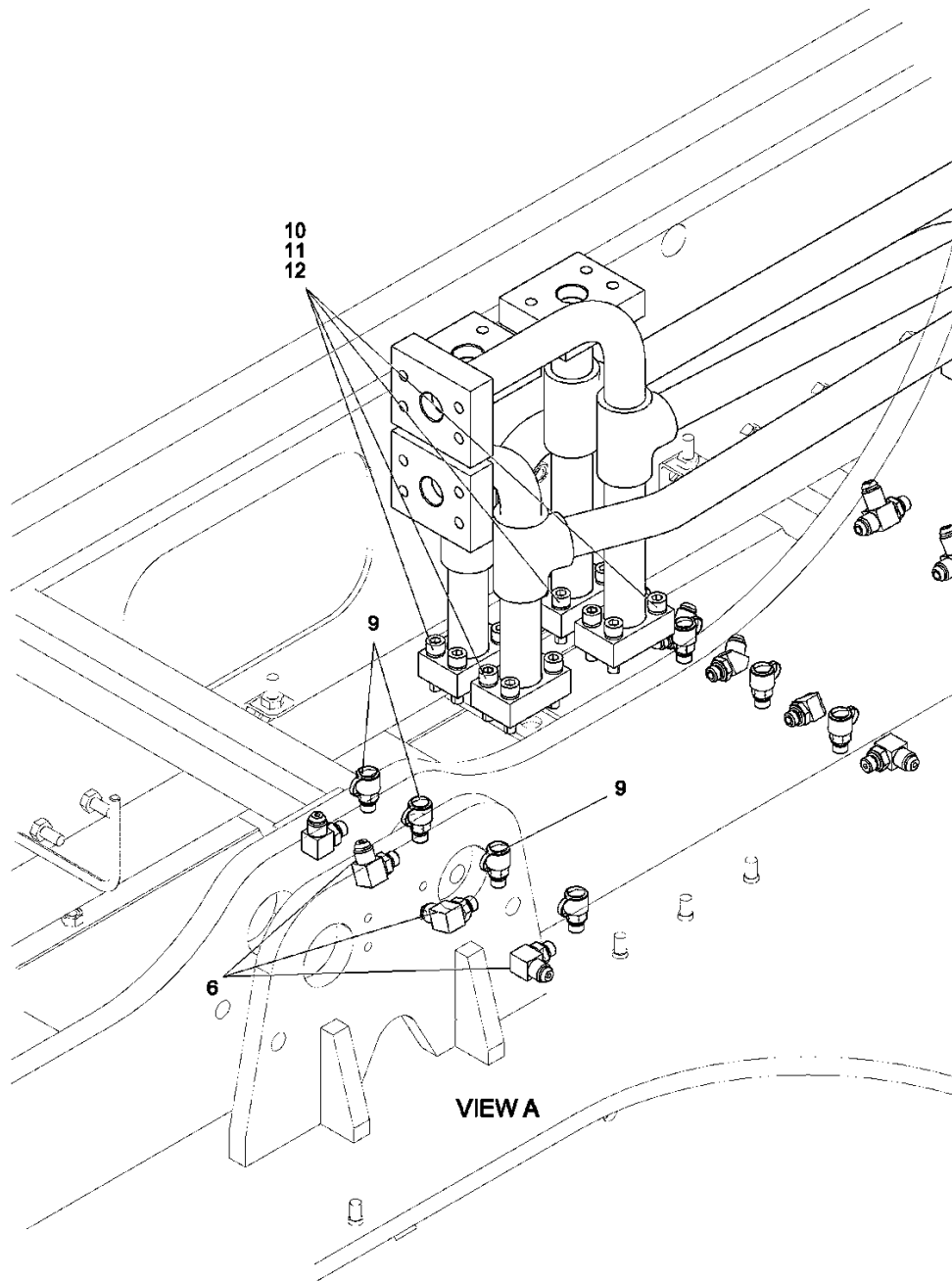
Assembly No.
9999430832
Revision:

Item	FN	Part	Qty	Description
1		9999431287	1	TUBE LINE
2		9999431288	1	TUBE
3		9999429506	1	HOSE
4		9999431296	1	HOSE ASSY
5		9999431297	1	HOSE ASSY
6		9999431298	1	HOSE ASSY
7		9999431299	1	HOSE ASSY
8		9999431300	1	HOSE ASSY
9		9999431301	1	HOSE ASSY
10	+	9999430837	1	CONNECTOR ASSY FRT, RR VALVE
11		9999431124	1	CONNECTOR
12		9999424492	1	ELBOW, 90
14		9999422518	2	PLUG
15		9999419434	12	CLAMP, HALF
16		9999424434	6	O-RING
17		9999424435	2	O-RING
18		9999424375	4	CLIP
19		9999427942	3	CLAMP
20		9999431711	1	BRKT
21		9999431294	2	BRKT
22		9999424706	6	CAPSCREW
23		9999424771	8	CAPSCREW
24		9999424515	4	SEMS-BOLT
25		9999424526	5	SEMS-BOLT
26		9999432057	24	SEMS-BOLT
27		9999421348	6	NUT
28		9999424838	6	WASHER,
29		9999424855	4	WASHER,
30		9999424868	8	LOCK WASHER
31		9999421387	6	LOCK WASHER
32		9999431305	1	BRKT
33		9999424244	2	RUBBER
34		9999431304	1	CLAMP

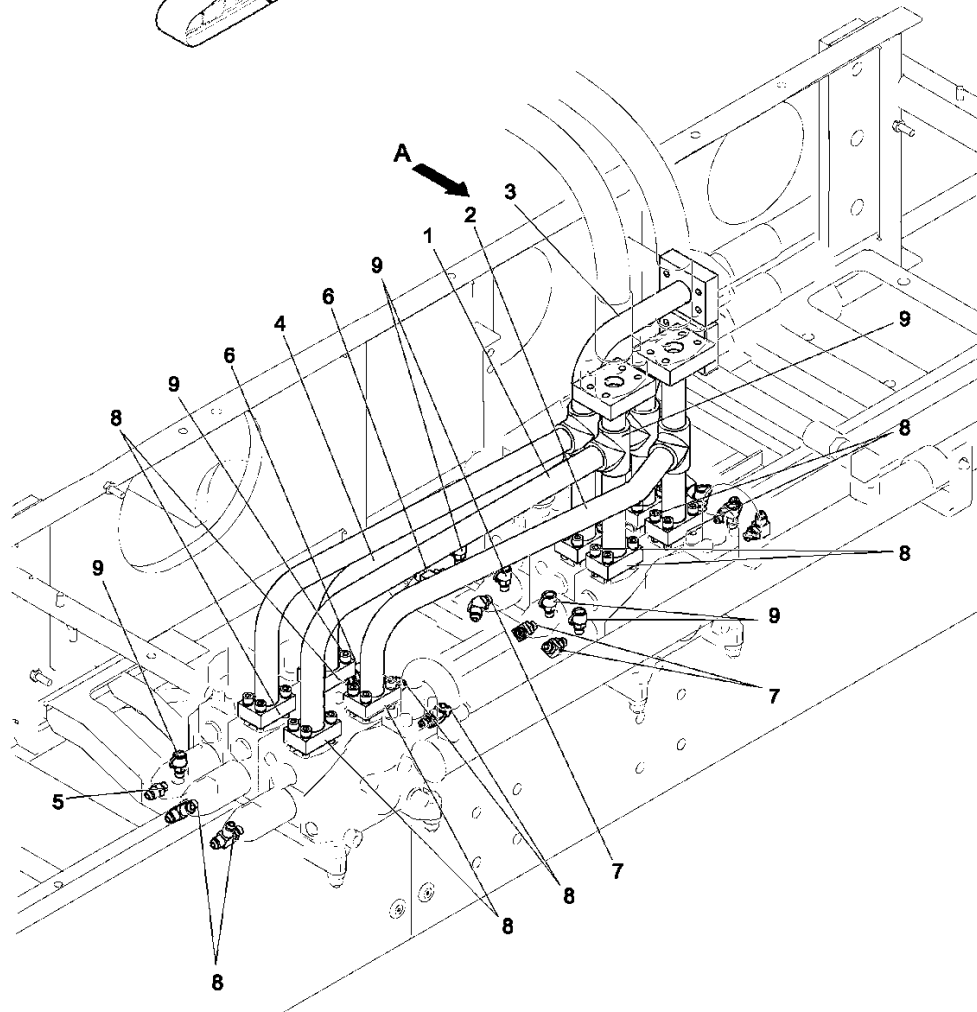
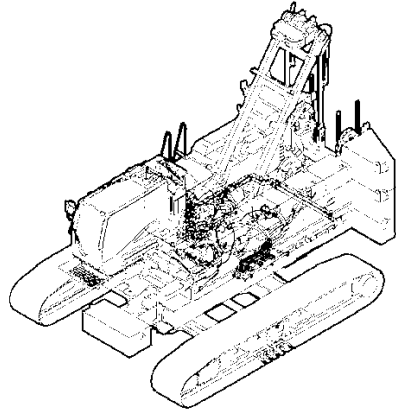
+ SEE FURTHER BREAKDOWN THIS GROUP

Manitowoc

Notes



CONNECTOR ASSY FRONT, REAR VALVE



Manitowoc

Description

CONNECTOR ASSY FRT, RR VALVE

Assembly No.

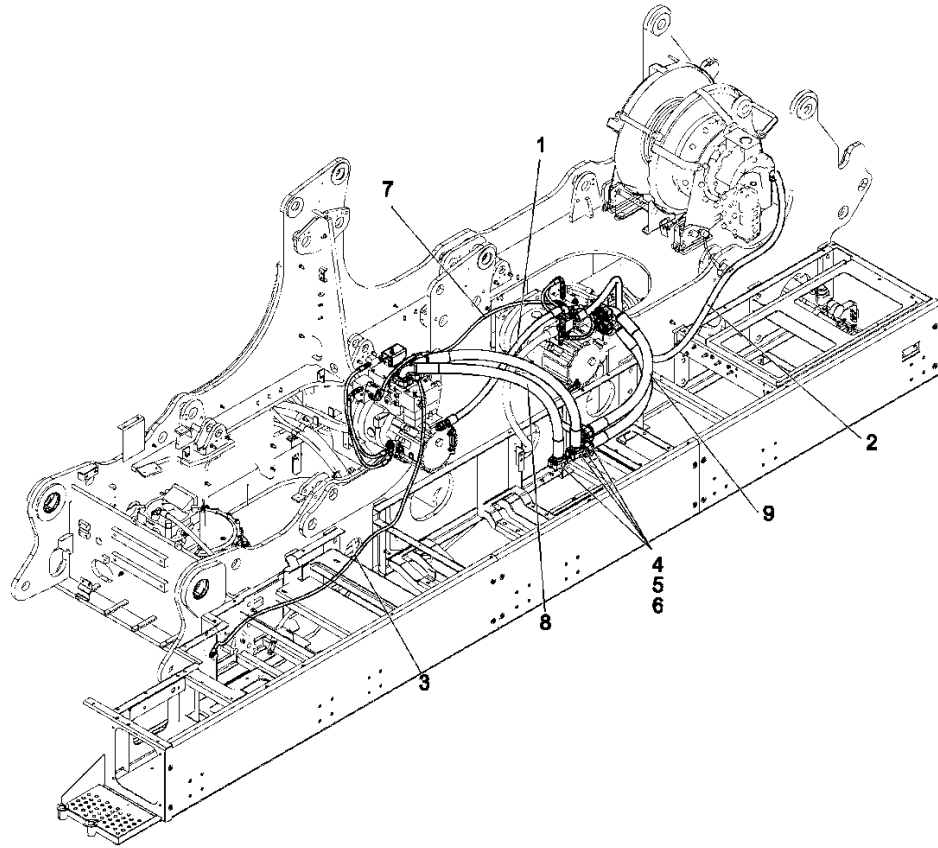
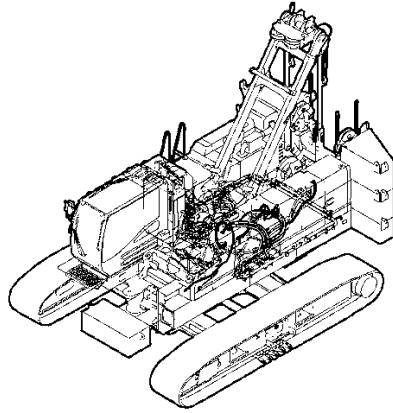
9999430837

Revision:

Item	FN	Part	Qty	Description
1		9999431289	1	TUBE LINE
2		9999431290	1	TUBE LINE
3		9999431291	1	TUBE LINE
4		9999431292	1	TUBE LINE
5		9999422541	1	CONNECTOR
6		9999421210	6	ELBOW, 90
7		9999422527	3	ELBOW, 45
8		9999425236	4	TEE
9		9999406548	10	PLUG
10		9999424434	8	O-RING
11		9999421385	32	CAPSCREW
12		9999424867	32	LOCK WASHER

Manitowoc

HYD LINES, WINCH
FRONT, REAR



Manitowoc

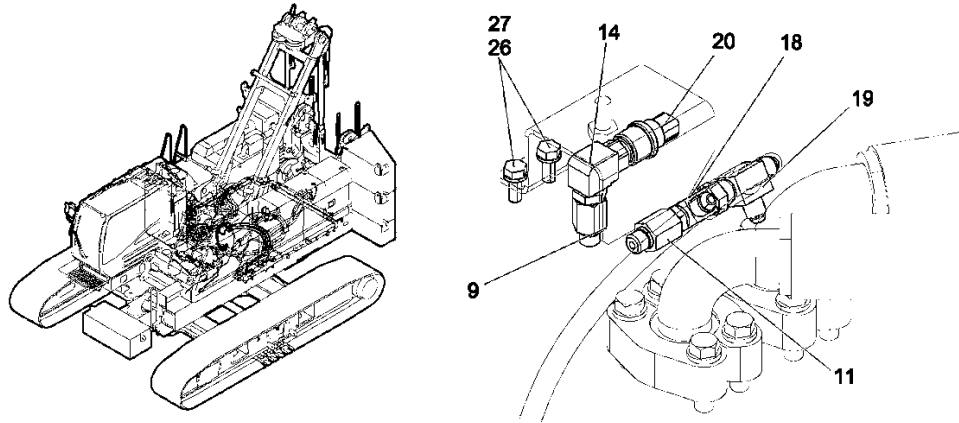
Description
HYD LINES, WINCH FRT, RR

Assembly No.
9999430878
 Revision:

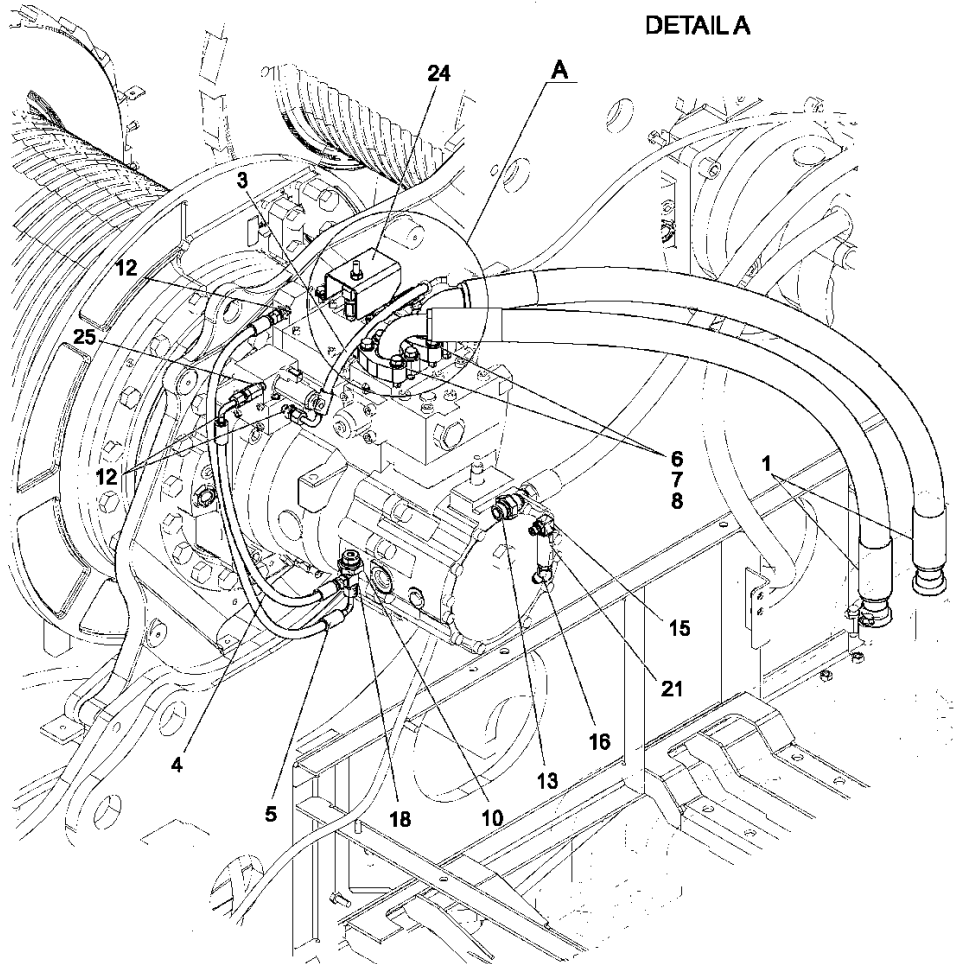
Item	FN	Part	Qty	Description
1		9999420848	1	HOSE
2		9999432251	1	HOSE ASSY
3		9999432264	1	HOSE ASSY
4		9999424084	8	CLAMP, HALF
5		9999432059	16	SEMS-BOLT
6		9999424435	4	O-RING
7		9999432338	1	HOSE ASSY
8	+	9999430883	1	HYD LINES, WINCH FRT
9	+	9999430884	1	HYD LINES, WINCH RR

+ SEE FURTHER BREAKDOWN THIS GROUP

HYD LINES, WINCH FRONT



DETAIL A



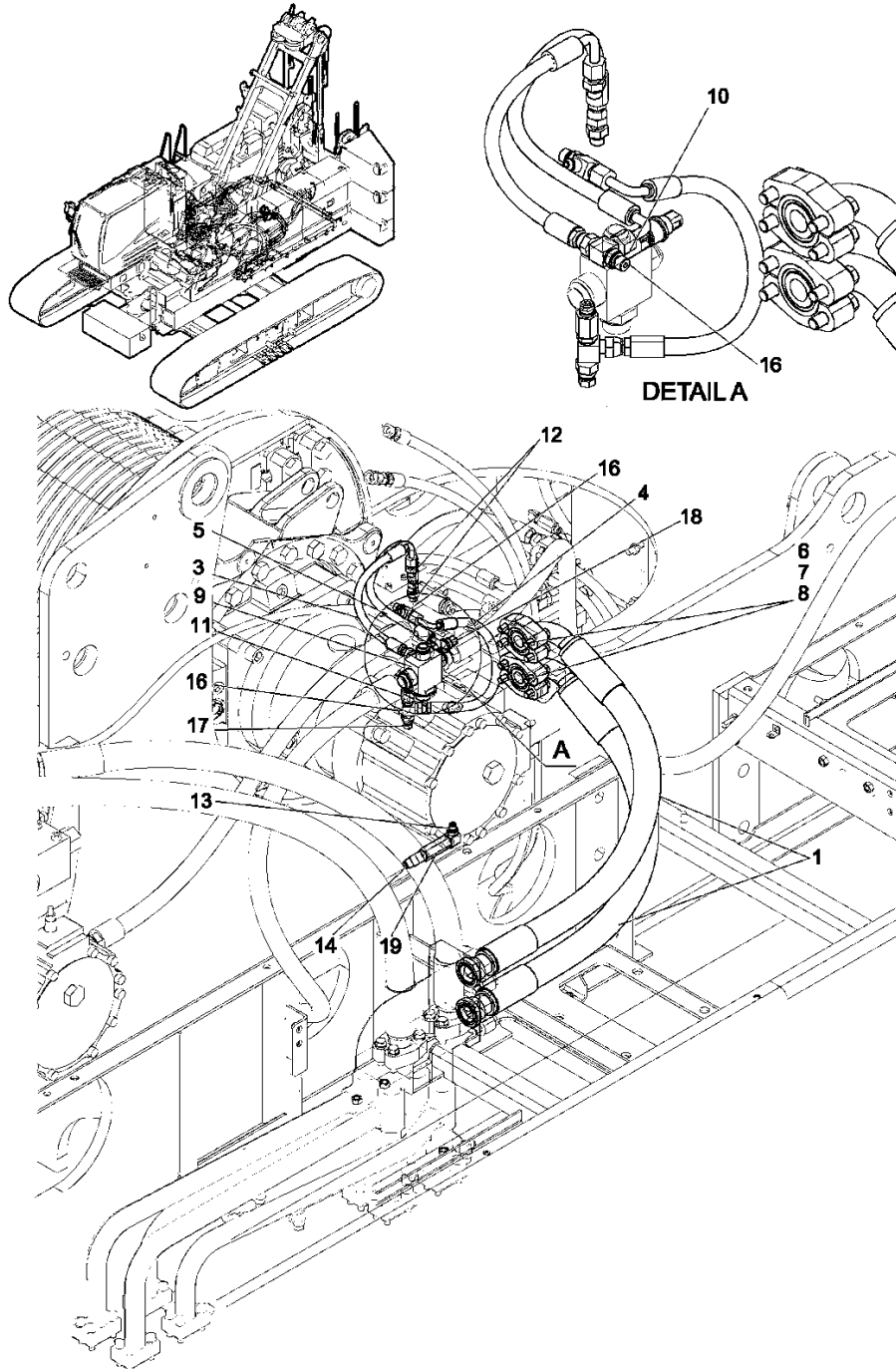
Manitowoc

Description
HYD LINES, WINCH FRT

Assembly No.
9999430883
Revision:

Item	FN	Part	Qty	Description
1		9999431419	2	HOSE ASSY
3		9999432312	1	HOSE ASSY
4		9999432314	1	HOSE ASSY
5		9999432317	1	HOSE ASSY
6		9999424084	4	CLAMP, HALF
7		9999432059	8	SEMS-BOLT
8		9999424435	2	O-RING
9		9999431165	1	CONNECTOR
10		9999422660	1	CONNECTOR
11		9999432044	1	CONNECTOR
12		9999424475	3	CONNECTOR
13		9999424481	1	CONNECTOR
14		9999426071	1	ELBOW, 90
15		9999408703	1	ELBOW, 90
16		9999424068	1	ELBOW, 45
18		9999422540	2	TEE
19		9999422543	1	TEE
20		9999430134	1	SENSOR, PRESS
21		9999421439	1	VALVE ASSY, CHECK
24		9999431426	1	COVER
25		9999425240	1	CONNECTOR
26		9999421364	2	CAPSCREW
27		9999424876	2	LOCK WASHER

HYD LINES, WINCH REAR



Manitowoc

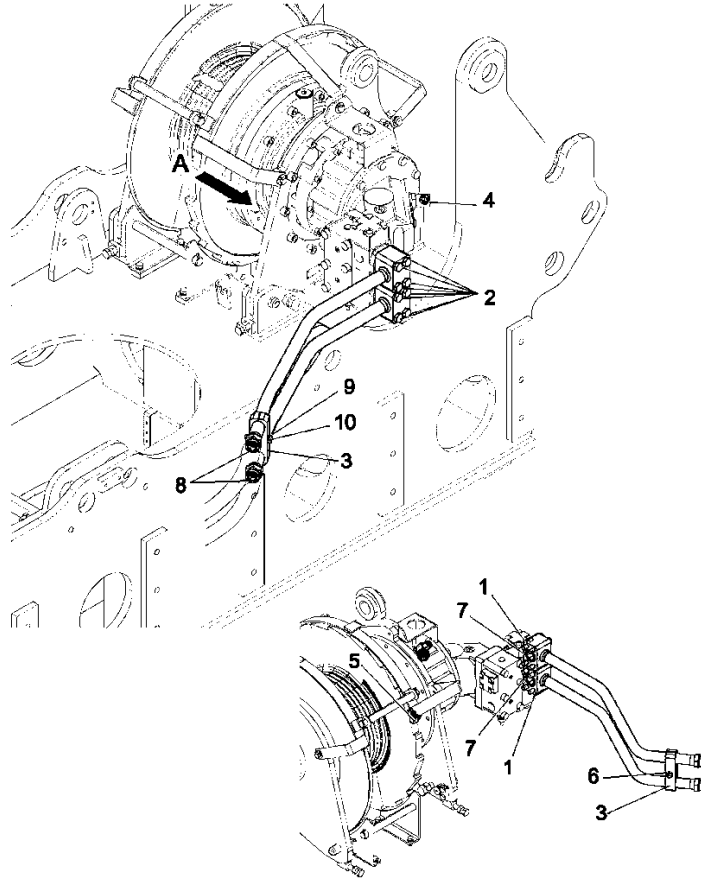
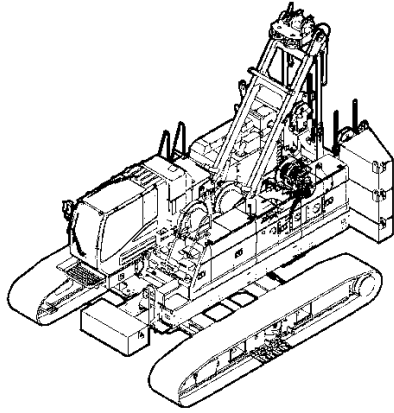
Description
HYD LINES, WINCH RR

Assembly No.
9999430884
 Revision:

Item	FN	Part	Qty	Description
1		9999431420	2	HOSE ASSY
3		9999432311	1	HOSE ASSY
4		9999424944	1	HOSE ASSY
5		9999432313	1	HOSE ASSY
6		9999424084	4	CLAMP, HALF
7		9999432059	8	SEMS-BOLT
8		9999424435	2	O-RING
9		9999431424	1	CROSS
10		9999431165	1	CONNECTOR
11		9999432044	1	CONNECTOR
12		9999424475	2	CONNECTOR
13		9999408703	1	ELBOW, 90
14		9999424068	1	ELBOW, 45
16		9999422540	3	TEE
17		9999425059	1	PLUG
18		9999430134	1	SENSOR, PRESS
19		9999421439	1	VALVE ASSY, CHECK

Manitowoc

HYD LINES, WINCH BOOM



DETAIL A

Manitowoc

Description
HYD LINES, WINCH, BOOM

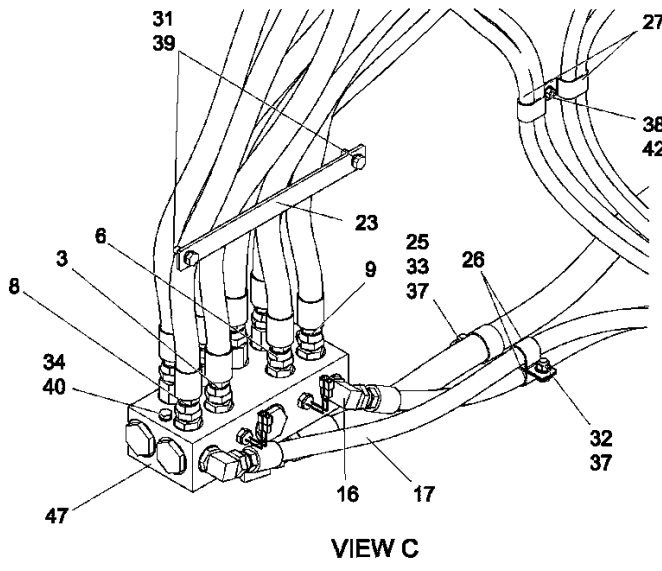
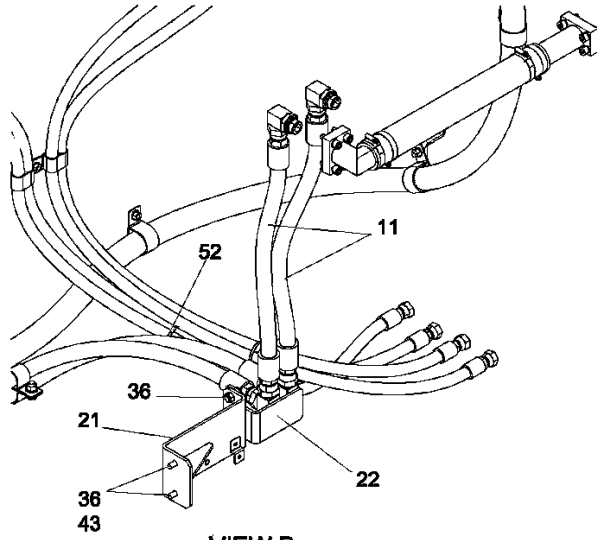
Assembly No.
9999430879
Revision:

Item	FN	Part	Qty	Description
1		9999431414	2	TUBE
2		9999432231	8	CAPSCR
3		9999431423	2	CLAMP
4		9999424492	1	ELBOW, 90
5		9999421210	1	ELBOW, 90
6		9999424567	1	NUT
7		9999424435	2	O-RING
8		9999424424	2	O-RING
9		9999424877	1	LOCK WASHER
10		9999424699	1	CAPSCREW

Manitowoc

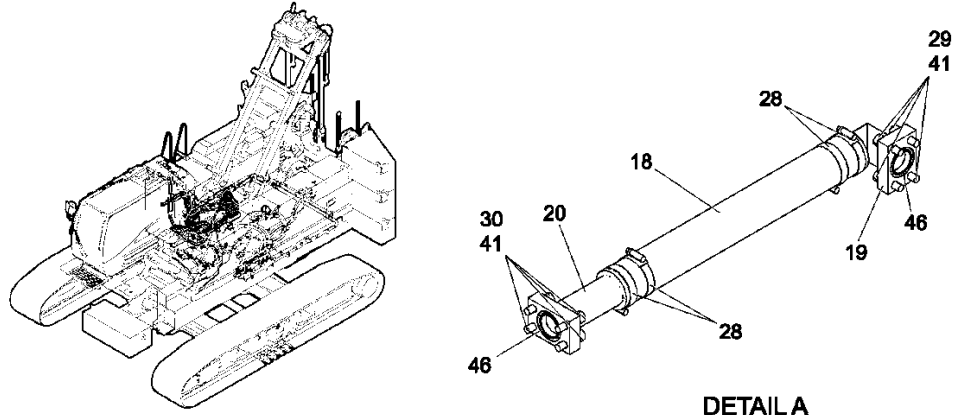
Notes

Manitowoc

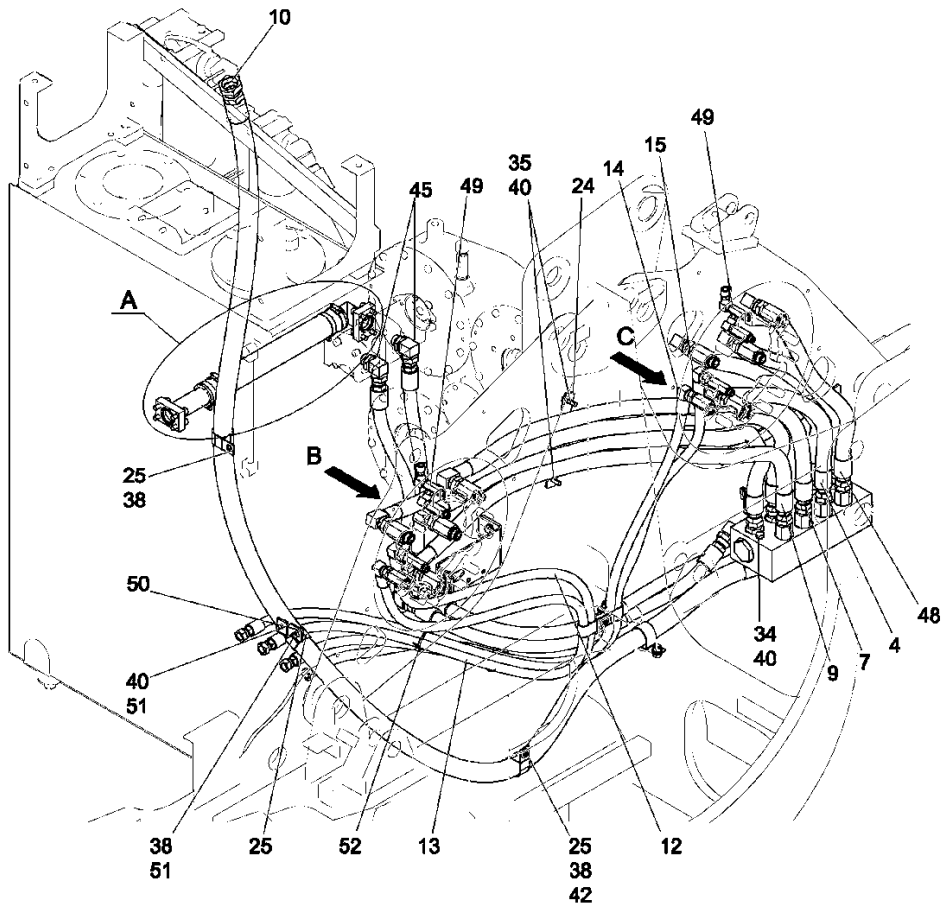


Manitowoc

HYD LINES, WINCH
WINCH COOLER / WITH FREE FALL



DETAIL A



Manitowoc

Description
HYD LINES, WINCH COOLER W/ FREE FALL

Assembly No.
9999430881
 Revision:

Item	FN	Part	Qty	Description
3		9999423235	1	HOSE ASSY
4		9999432069	1	HOSE ASSY
6		9999432070	1	HOSE ASSY
7		9999432071	1	HOSE ASSY
8		9999431407	1	HOSE ASSY
9		9999431406	2	HOSE ASSY
10		9999431120	1	HOSE ASSY
11		9999432303	2	HOSE ASSY
12		9999431409	1	HOSE ASSY
13		9999431412	1	HOSE ASSY
14		9999431411	1	HOSE ASSY
15		9999431408	1	HOSE ASSY
16		9999426517	1	HOSE ASSY, USE AS REQUIRED
17		9999432250	1	HOSE ASSY
18		9999422504	1	HOSE ASSY, USE AS REQUIRED
19		9999423464	1	TUBE
20		9999431713	1	TUBE
21		9999431418	1	BRKT
22		9999431425	1	ELBOW, 90
23		9999431417	1	PLATE
24		9999431416	1	PLATE
25		9999424398	4	CLIP
26		9999424396	2	CLIP
27		9999428315	2	CLIP
28		9999432184	4	CLIP
29		9999423467	4	CAPSCREW
30		9999421384	4	CAPSCREW
31		9999424703	2	CAPSCREW
32		9999424702	1	CAPSCREW
33		9999421374	1	CAPSCREW
34		9999421371	2	BOLT
35		9999424694	2	CAPSCREW
36		9999424511	4	SEMS-BOLT
37		9999424076	2	NUT

Manitowoc

Description
HYD LINES, WINCH COOLER W/ FREE FALL

Assembly No.
9999430881
 Revision:

Item	FN	Part	Qty	Description
38		9999408711	4	NUT
39		9999421387	2	LOCK WASHER
40		9999424877	5	LOCK WASHER
41		9999424867	8	LOCK WASHER
42		9999424856	2	WASHER,
43		9999420402	2	WASHER,
45		9999424492	2	ELBOW, 90
46		9999424435	2	O-RING
47	+	9999431068	1	CONNECTOR ASSY WINCH COOLER W/ FREE FALL
48		9999423231	1	HOSE ASSY
49	+	9999430888	2	CONNECTOR ASSY WINCH COOLER W/ FREE FALL
50		9999432073	1	BRKT
51		9999424693	2	BOLT
52		9999422675	2	CLIP

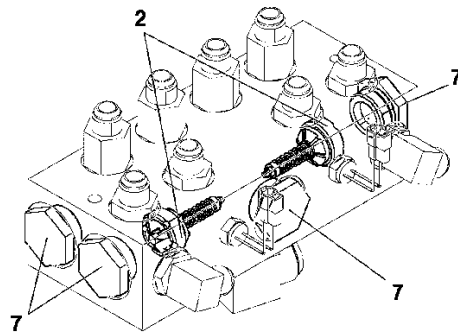
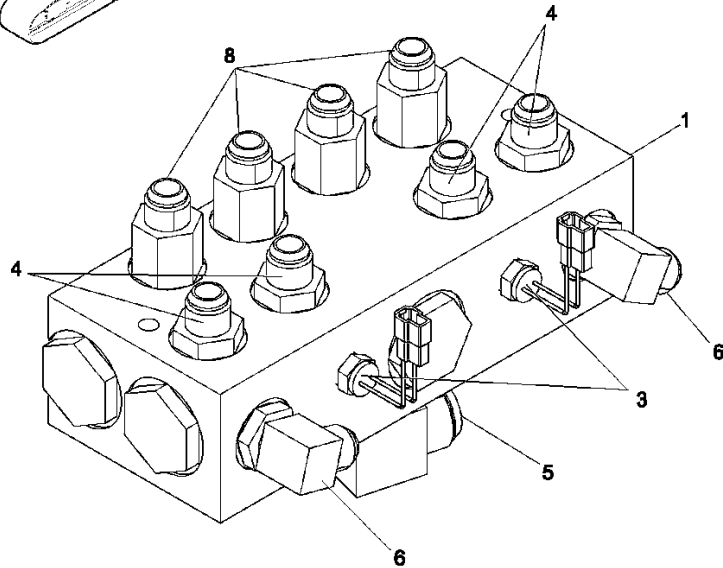
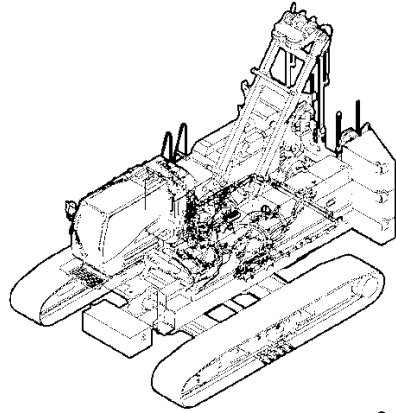
+ SEE FURTHER BREAKDOWN THIS GROUP

Manitowoc

Notes

Manitowoc

CONNECTOR ASSY WINCH COOLER / WITH FREE FALL



DETAIL ITEM 2 , 7

Manitowoc

Description

CONNECTOR ASSY WINCH COOLER W/ FREE FALL

Assembly No.

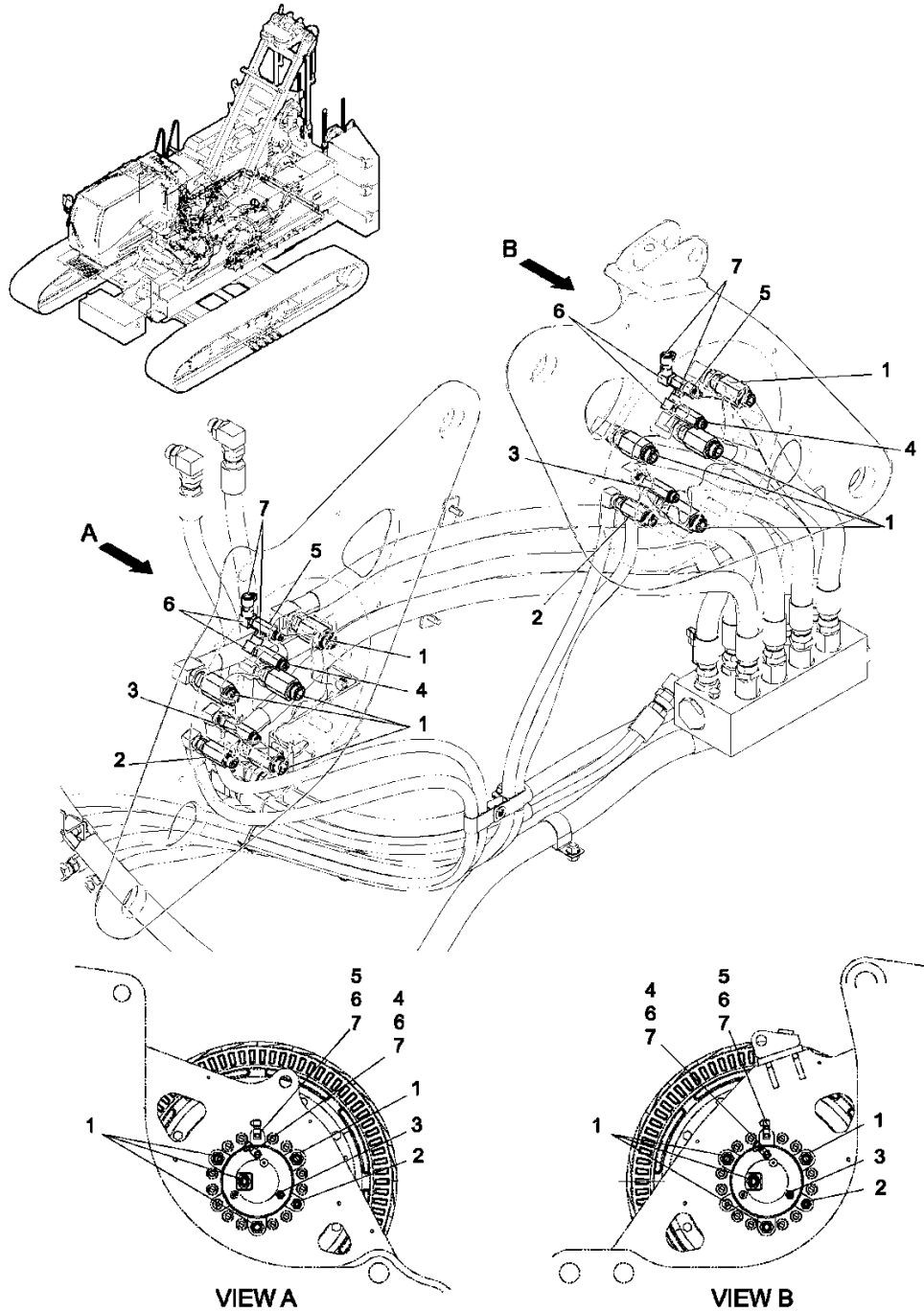
9999431068

Revision:

Item	FN	Part	Qty	Description
1		9999431415	1	MANIFOLD
2		9999407988	2	VALVE ASSY
3		9999429747	2	SWITCH, THERMO
4		9999424481	4	CONNECTOR
5		9999422513	1	ELBOW, 90
6		9999424492	2	ELBOW, 90
7		9999422518	4	PLUG
8		9999432055	4	CONNECTOR

Manitowoc

CONNECTOR ASSY WINCH COOLER / WITH FREE FALL



Manitowoc

Description

CONNECTOR ASSY WINCH COOLER W/ FREE FALL

Assembly No.

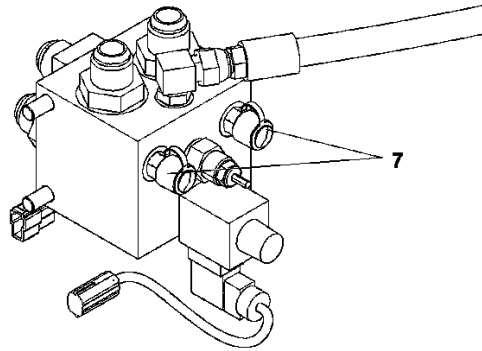
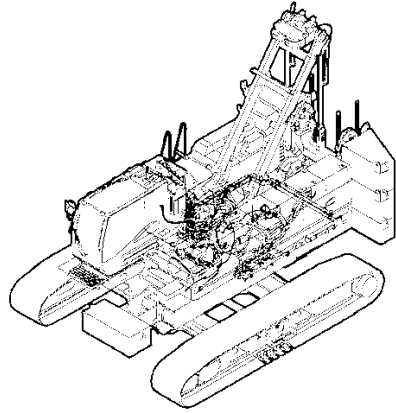
9999430888

Revision:

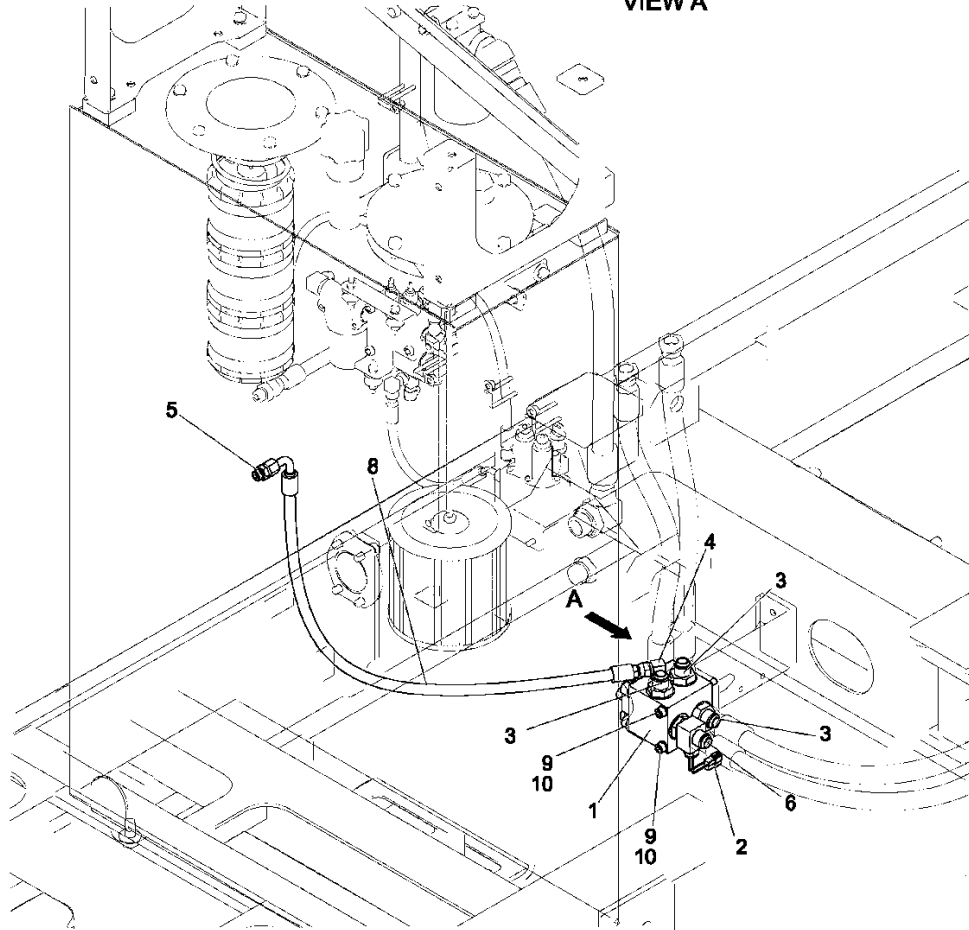
Item	FN	Part	Qty	Description
1		9999423222	4	CONNECTOR
2		9999423223	1	CONNECTOR
3		9999432053	1	CONNECTOR
4		9999423224	1	CONNECTOR
5		9999407873	1	CONNECTOR
6		9999431131	2	ELBOW
7		9999406548	2	PLUG

Manitowoc

HYD LINES, WINCH
WINCH COOLER OIL WARMER



VIEW A



Manitowoc

Description

HYD LINES WINCH COOLER OIL WARMER

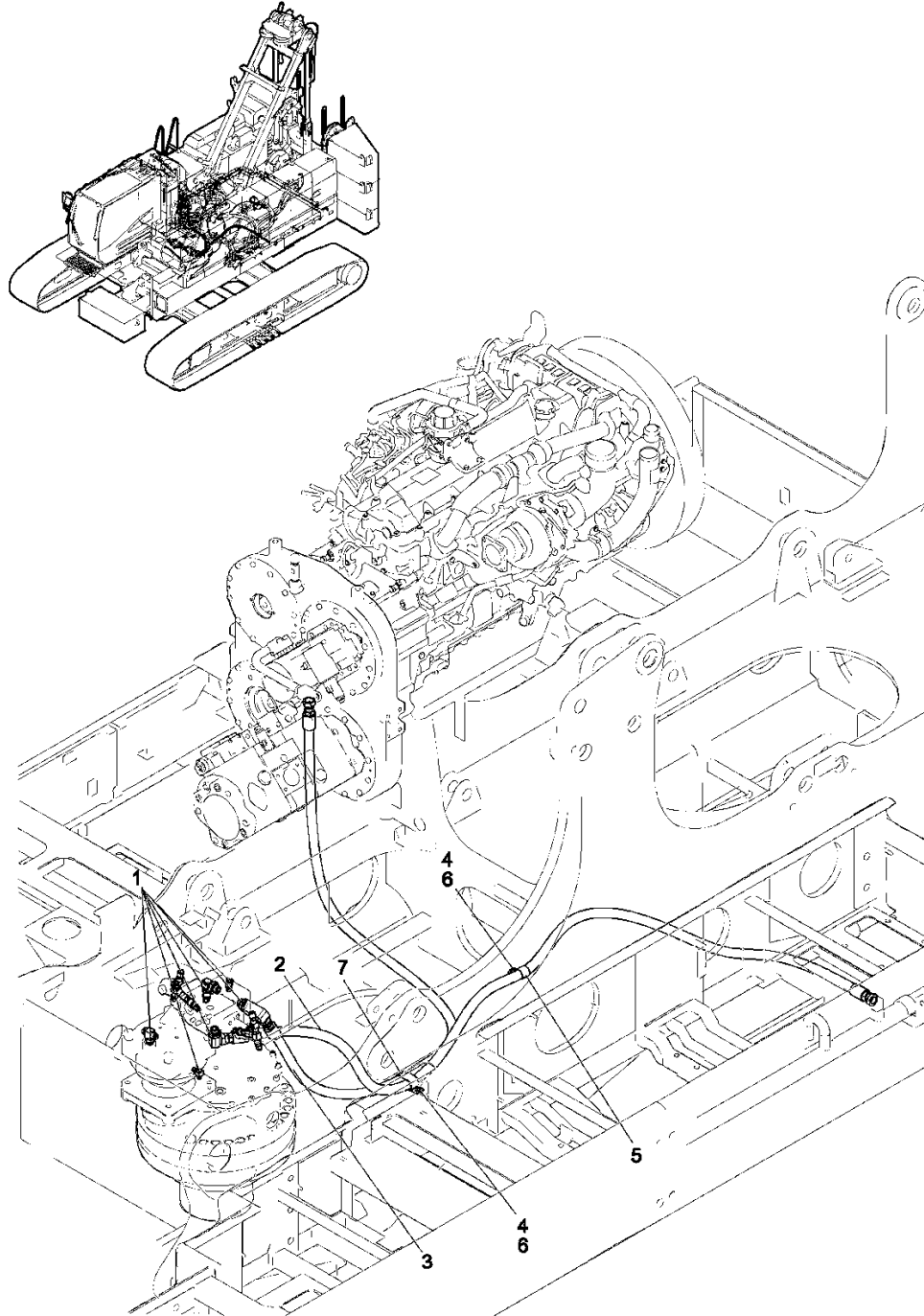
Assembly No.

9999430885

Revision:

Item	FN	Part	Qty	Description
1		9999429746	1	VALVE ASSY, SEQUENCE
2		9999429747	1	SWITCH, THERMO
3		9999424481	3	CONNECTOR
4		9999421210	1	ELBOW, 90
5		9999424477	1	CONNECTOR
6		9999407872	1	TEE
7		9999406548	2	PLUG
8		9999432309	1	HOSE ASSY
9		9999429805	2	CAPSCREW
10		9999424877	2	LOCK WASHER

CONTROL LINES, SWING SWING MOTOR / SWING NEUTRAL FREE



Manitowoc

Description

CNTRL LINES SWING MOTOR / SWING NEUTRAL FREE

Assembly No.

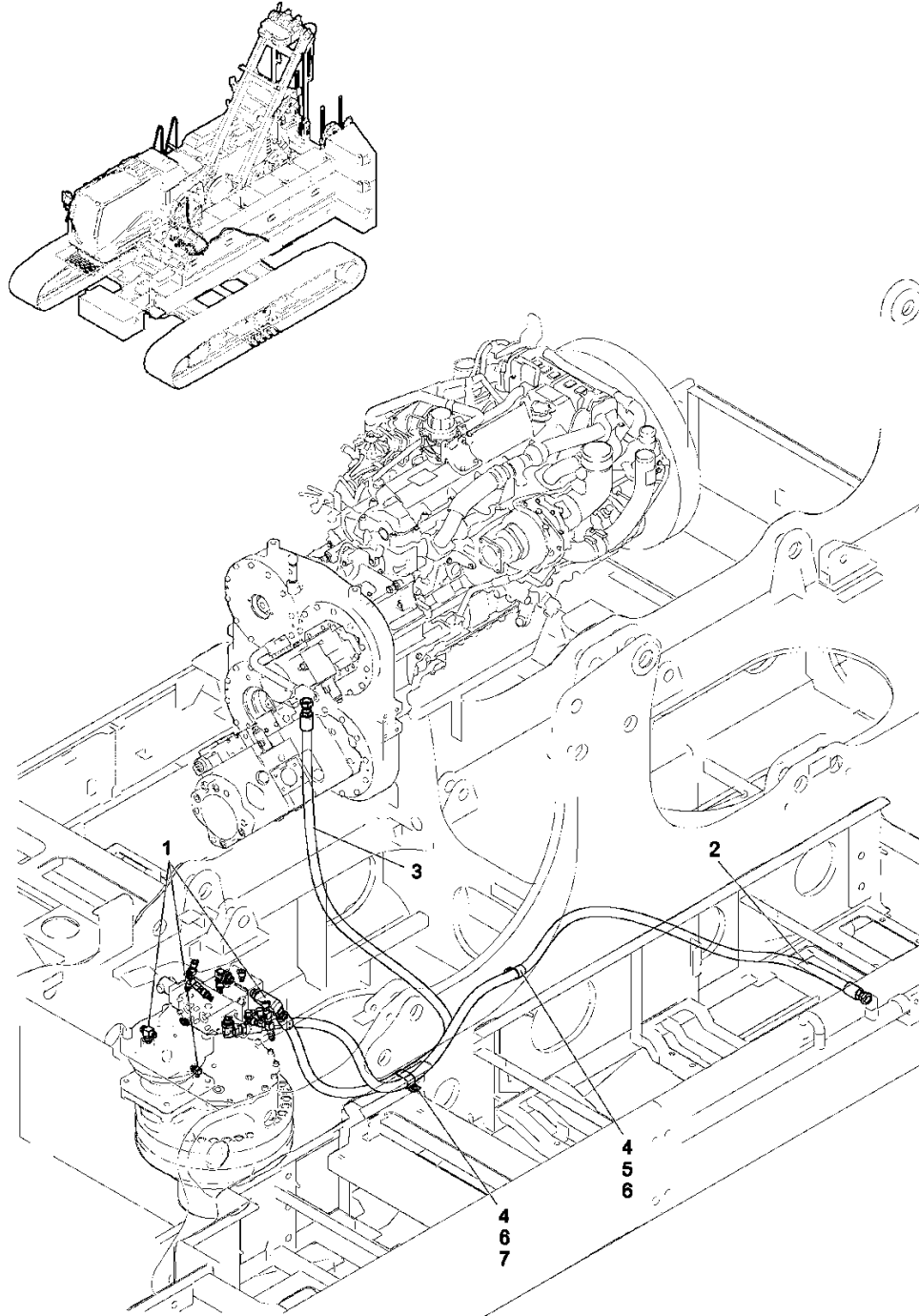
9999431012

Revision:

Item	FN	Part	Qty	Description
1		9999431988	1	CONNECTOR ASSY
2		9999432253	1	HOSE ASSY
3		9999432304	1	HOSE ASSY
4		9999408711	2	NUT
5		9999424396	1	CLIP
6		9999424856	2	WASHER,
7		9999431157	1	CLIP

Manitowoc

CONTROL LINES, SWING
SWING MOTOR / SWING NEUTRAL BRAKE / OPT.



Manitowoc

Description

CNTRL LINES SWING MOTOR / SWING NEUTRAL BRAKE

Assembly No.

9999431013

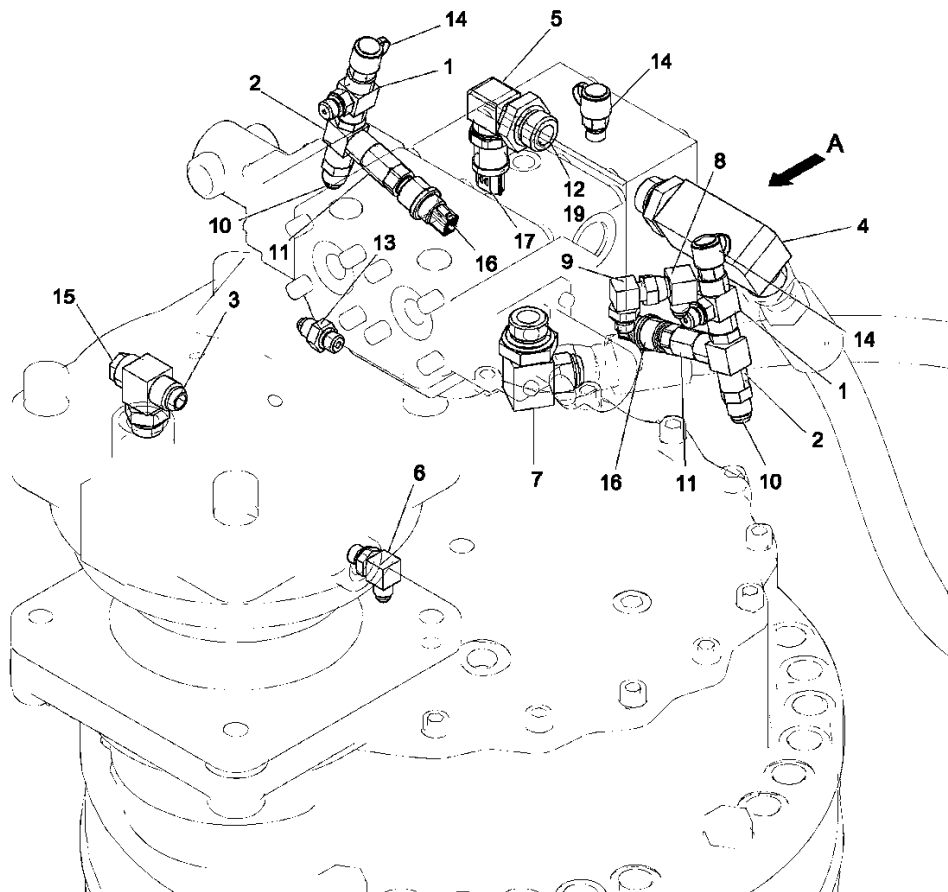
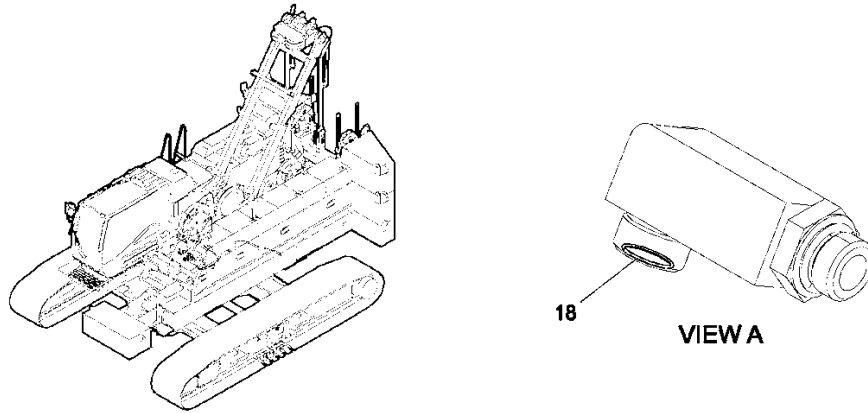
Revision:

Item	FN	Part	Qty	Description
1	+	9999431070	1	CONNECTOR ASSY SWING NEUTRAL BRAKE
2		9999432253	1	HOSE ASSY
3		9999432304	1	HOSE ASSY
4		9999408711	2	NUT
5		9999424396	1	CLIP
6		9999424856	2	WASHER,
7		9999431157	1	CLIP

+ SEE FURTHER BREAKDOWN THIS GROUP

Manitowoc

CONNECTOR ASSY
SWING NEUTRAL BRAKE / OPT.



Manitowoc

Description

CONNECTOR ASSY SWING NEUTRAL BRAKE

Assembly No.

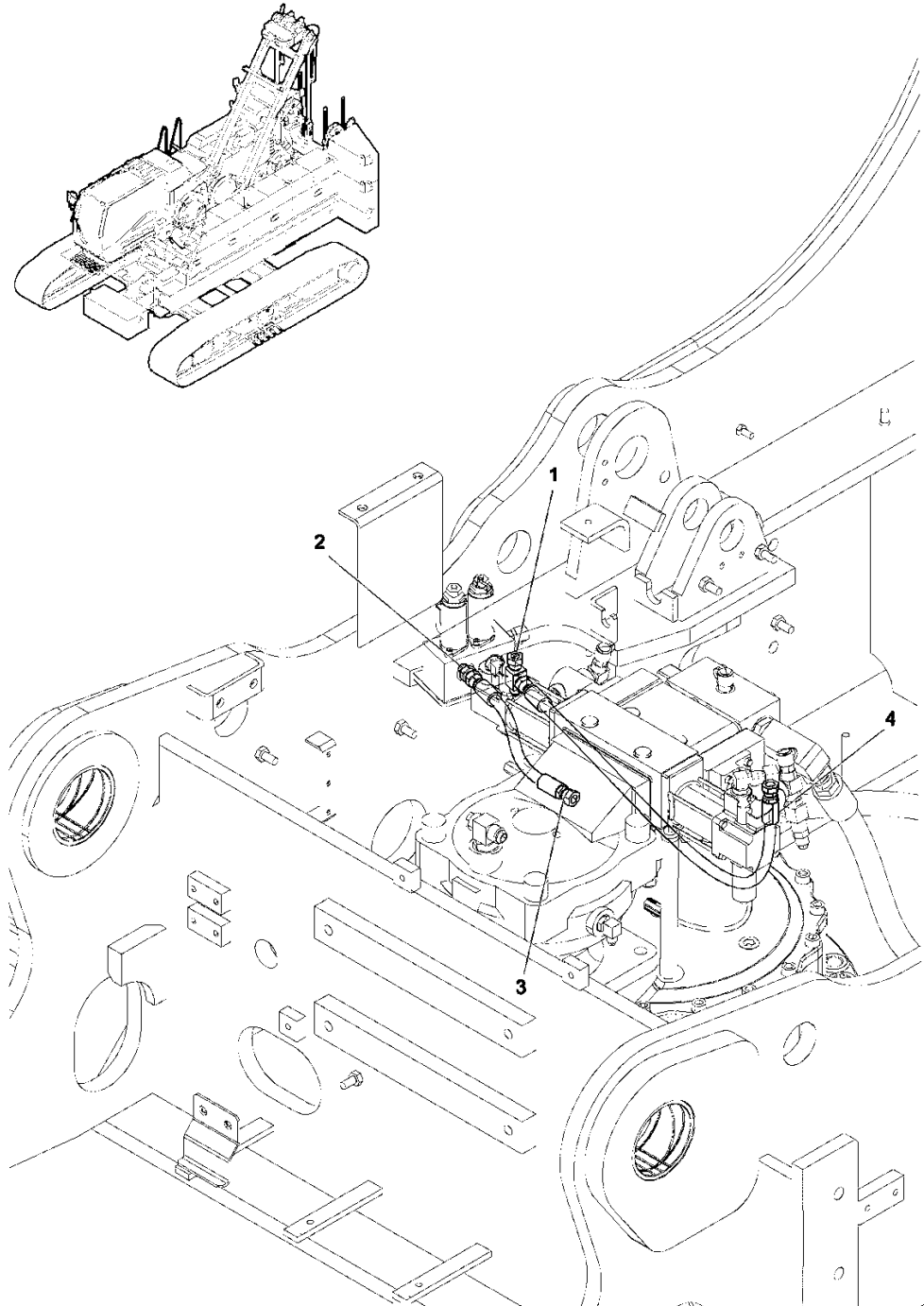
9999431070

Revision:

Item	FN	Part	Qty	Description
1		9999431135	2	TEE
2		9999424071	2	TEE
3		9999424073	1	TEE
4		9999424045	1	ELBOW, 90
5		9999424358	1	ELBOW, 90
6		9999424486	1	ELBOW, 90
7		9999424492	1	ELBOW, 90
8		9999431128	1	ELBOW
9		9999424061	1	ELBOW
10		9999422541	2	CONNECTOR
11		9999431165	2	CONNECTOR
12		9999422954	1	CONNECTOR
13		9999424475	1	CONNECTOR
14		9999406548	3	PLUG
15		9999424447	1	PLUG
16		9999430134	2	SENSOR, PRESS
17		9999430139	1	SENSOR, PRESS
18		9999424423	1	O-RING
19		9999424431	1	O-RING

Manitowoc

VALVE INSTAL
2-SECTION VALVE / SWING NEUTRAL BRAKE / OPT.



Manitowoc

Description

VALVE INSTAL 2-SECTION VALVE / SWING NEUTRAL BRAKE

Assembly No.

9999431066

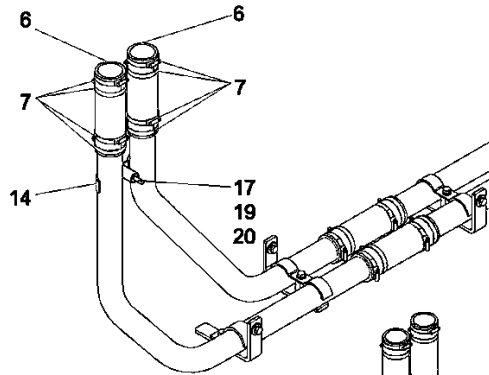
Revision:

Item	FN	Part	Qty	Description
1		9999422543	1	TEE
2		9999424475	1	CONNECTOR
3		9999432255	1	HOSE ASSY
4		9999426521	1	HOSE ASSY, USE AS REQUIRED

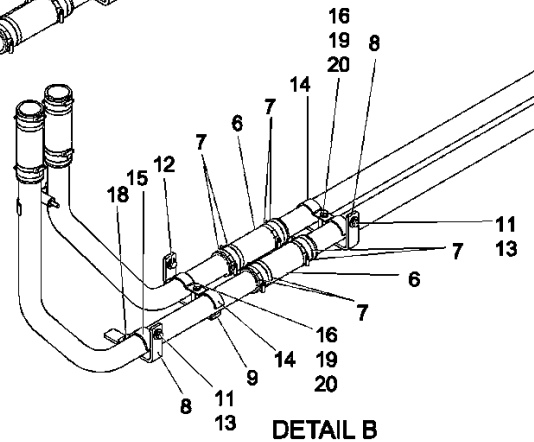
Manitowoc

Notes

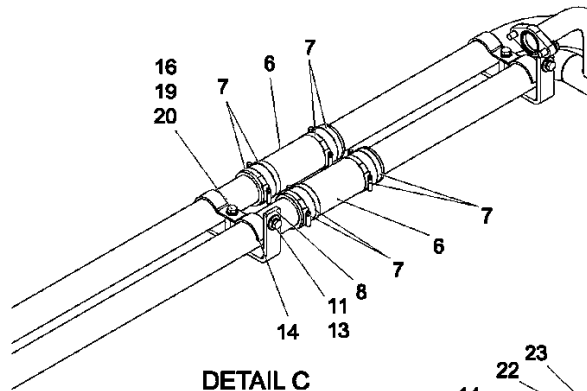
Manitowoc



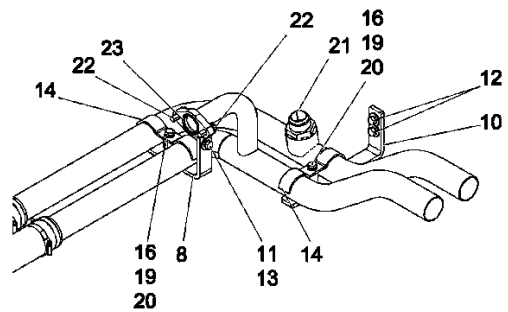
DETAIL A



DETAIL B



DETAIL C



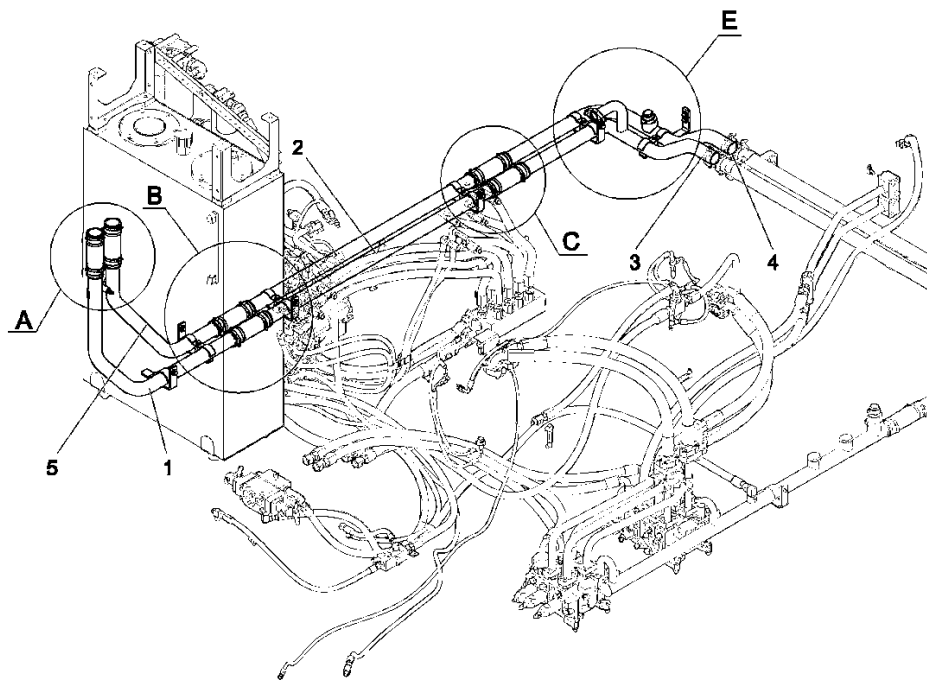
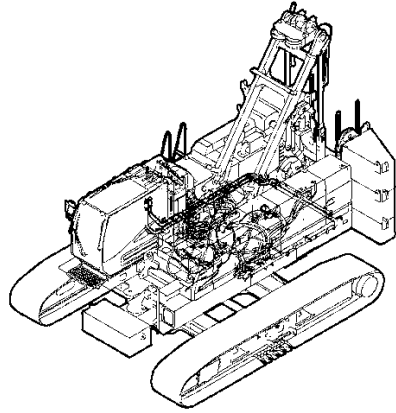
DETAIL E

9999430945

(SHEET 2 OF 2)

<https://cranemanuals.com>

HYD LINES, COOLER, OIL



Manitowoc

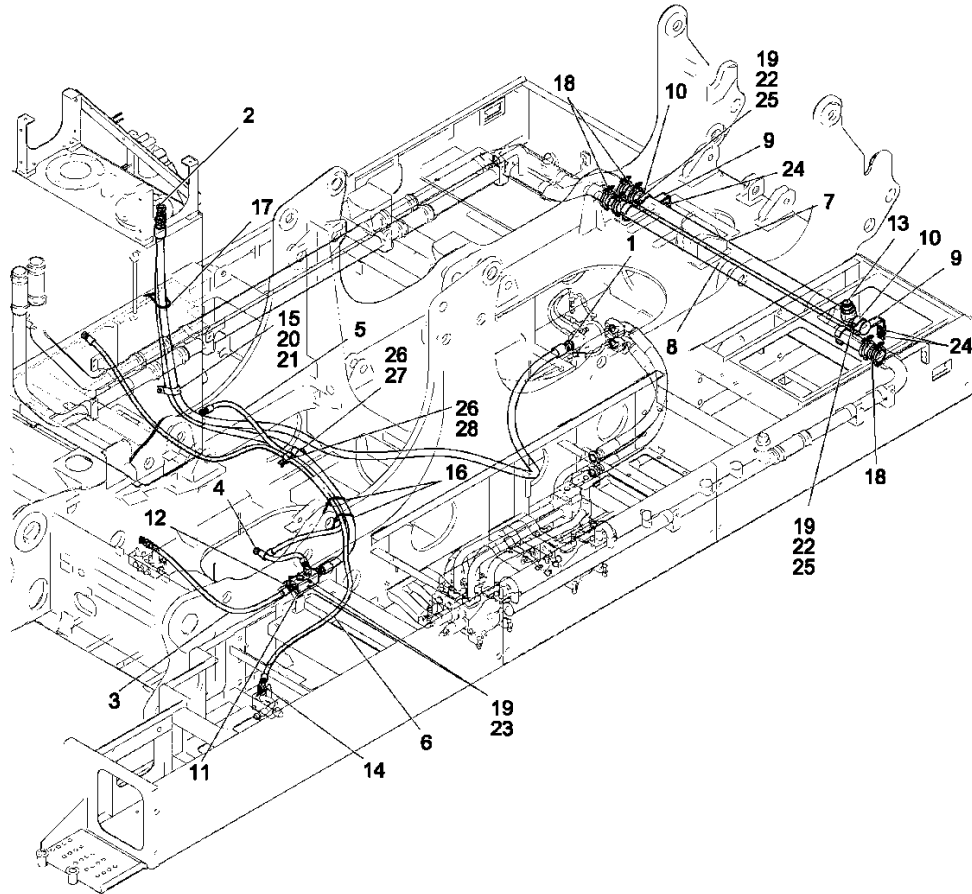
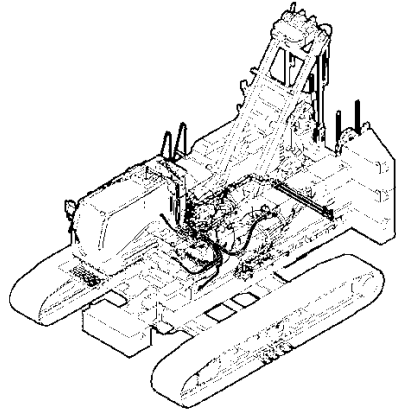
Description
HYD LINES, OIL COOLER

Assembly No.
9999430945
 Revision:

Item	FN	Part	Qty	Description
1		9999431744	1	TUBE
2		9999431745	2	TUBE
3		9999431746	1	TUBE
4		9999431754	1	TUBE
5		9999431747	1	TUBE
6		9999429506	6	HOSE
7		9999424375	24	CLIP
8		9999427950	4	BRACKET
9		9999431753	1	BRKT
10		9999431711	1	BRKT
11		9999424515	4	SEMS-BOLT
12		9999424526	3	SEMS-BOLT
13		9999422194	4	WASHER,
14		9999422821	6	CLAMP
15		9999427942	1	CLAMP
16		9999424699	5	CAPSCREW
17		9999421370	1	CAPSCREW
18		9999424522	1	SEMS-BOLT
19		9999424855	6	WASHER,
20		9999424877	6	LOCK WASHER
21		9999431124	1	CONNECTOR
22		9999432215	2	SEMS-BOLT
23		9999432188	1	O-RING

Manitowoc

HYD LINES, RETURN RETURN & DRAIN



Manitowoc

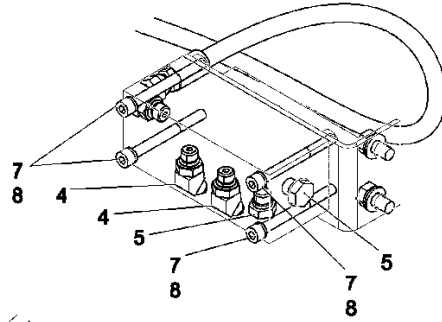
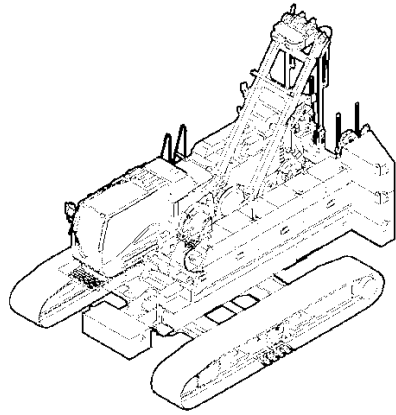
Description
HYD LINES, RETURN & DRAIN

Assembly No.
9999430935
 Revision:

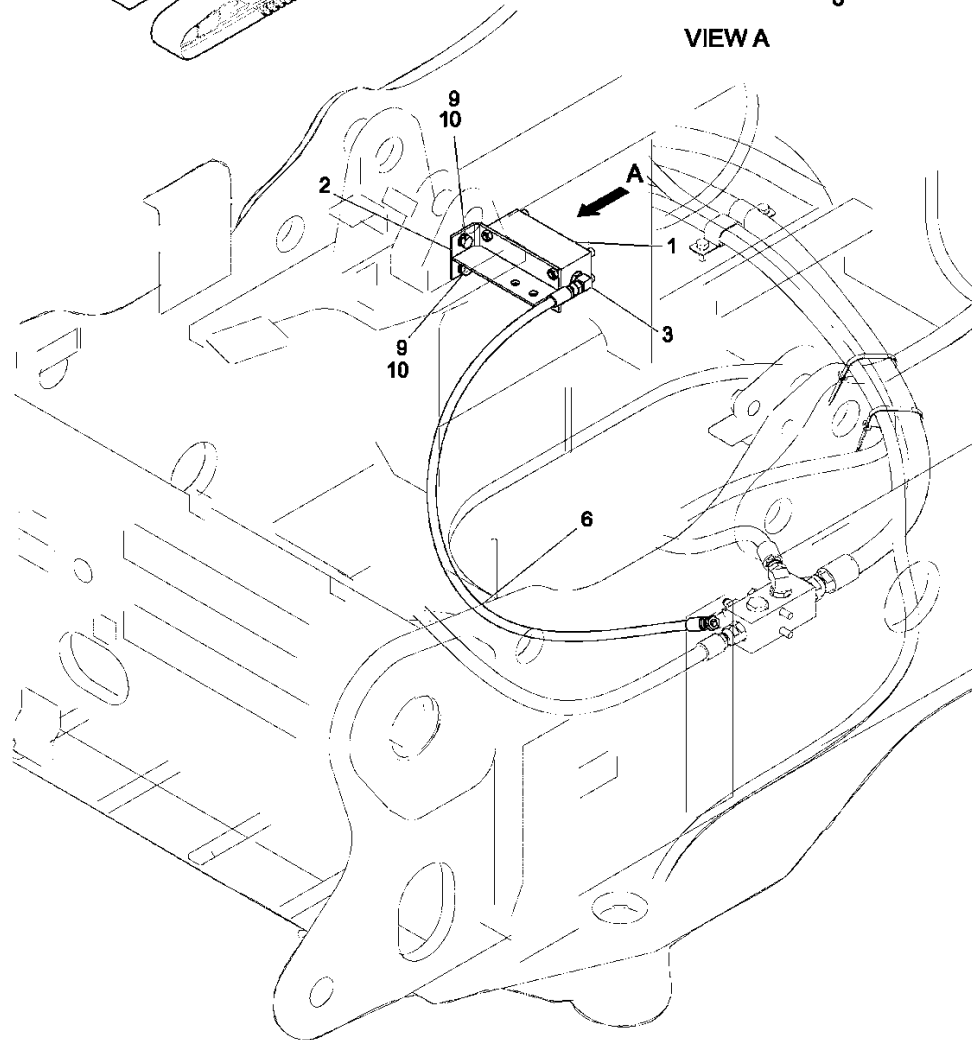
Item	FN	Part	Qty	Description
1		9999422519	1	HOSE ASSY, USE AS REQUIRED
2		9999432252	1	HOSE ASSY
3		9999432247	1	HOSE ASSY
4		9999432244	1	HOSE ASSY
5		9999420569	1	HOSE
6		9999432294	1	HOSE ASSY
7		9999431709	1	TUBE
8		9999431710	1	TUBE
9		9999431711	2	BRKT
10		9999422821	2	CLAMP
11		9999431712	1	CONNECTOR ASSY
12		9999431128	1	ELBOW
13		9999431124	1	CONNECTOR
14		9999432054	1	CONNECTOR
15		9999431147	1	CLIP
16		9999406275	2	CLIP
17		9999406278	1	CLIP
18		9999419488	3	COUPLING
19		9999424877	4	LOCK WASHER
20		9999408711	1	NUT
21		9999424693	1	BOLT
22		9999424699	2	CAPSCREW
23		9999424700	2	CAPSCREW
24		9999424526	4	SEMS-BOLT
25		9999424855	2	WASHER,
26		9999424511	2	SEMS-BOLT
27		9999424396	1	CLIP
28		9999428315	1	CLIP

Manitowoc

HYD LINES, RETURN
WITHOUT FREE FALL



VIEW A



Manitowoc

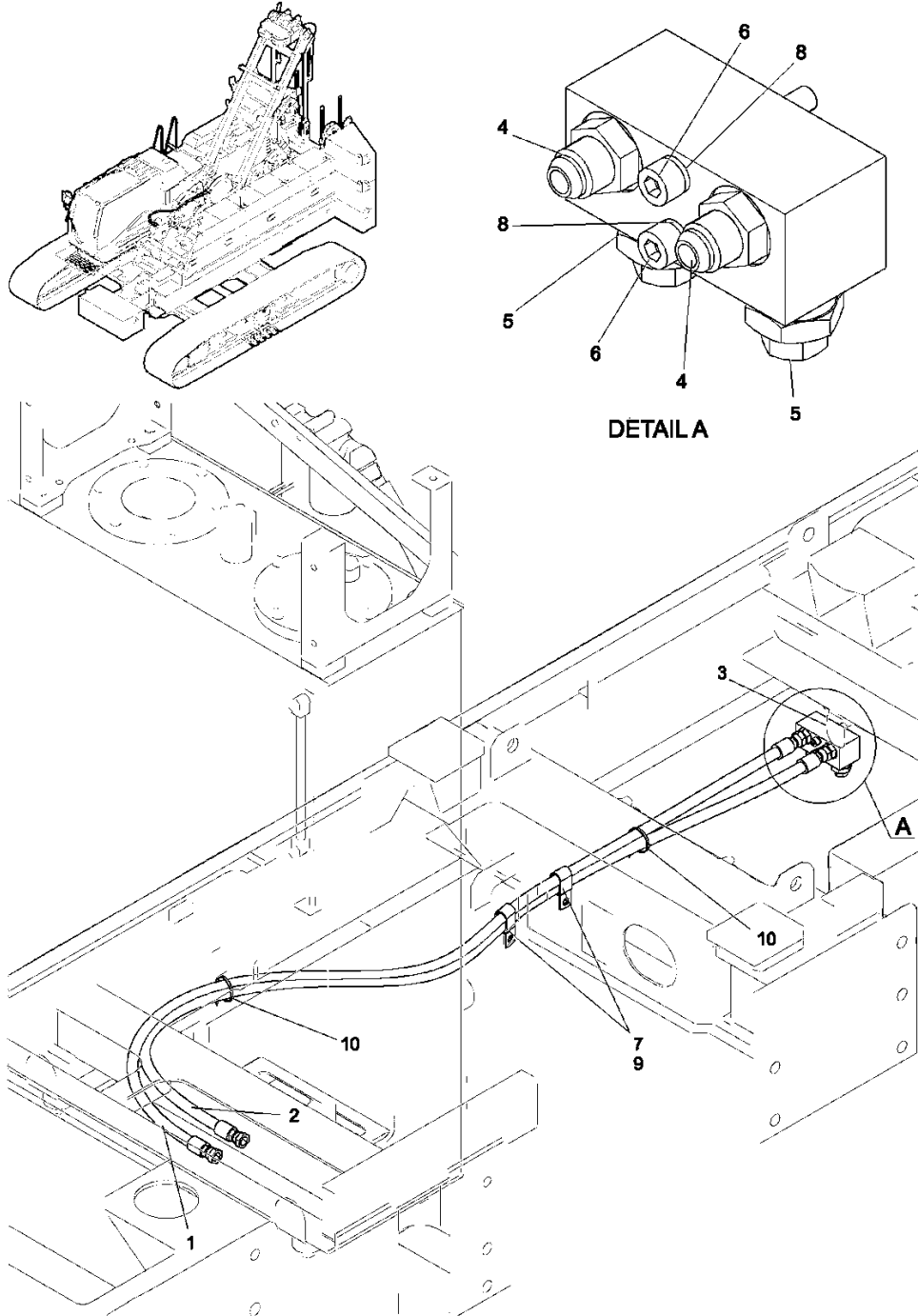
Description
HYD LINES, RETURN W/O FREE FALL

Assembly No.
9999430937
Revision:

Item	FN	Part	Qty	Description
1		9999429510	1	BLOCK
2		9999432000	1	BRKT
3		9999424486	1	ELBOW, 90
4		9999424496	2	ELBOW, 45
5		9999424447	2	PLUG
6		9999432261	1	HOSE ASSY
7		9999424866	4	LOCK WASHER
8		9999429520	4	CAPSCR
9		9999419667	2	SEMS-BOLT
10		9999424855	2	WASHER,

Manitowoc

HYD LINES, TANK
HYD. TANK / DRAIN



Manitowoc

Description

HYD LINES, HYD TANK / DRAIN

Assembly No.

9999431069

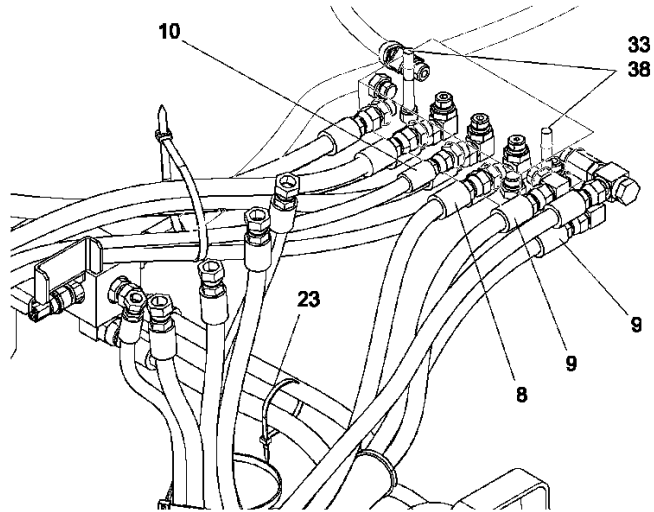
Revision:

Item	FN	Part	Qty	Description
1		9999420570	1	HOSE ASSY
2		9999432248	1	HOSE ASSY
3		9999432040	1	MANIFOLD
4		9999424479	2	CONNECTOR
5		9999408883	2	COCK, DRAIN
6		9999432236	2	CAPSCR
7		9999428315	2	CLIP
8		9999424867	2	LOCK WASHER
9		9999408711	2	NUT
10		9999422675	2	CLIP

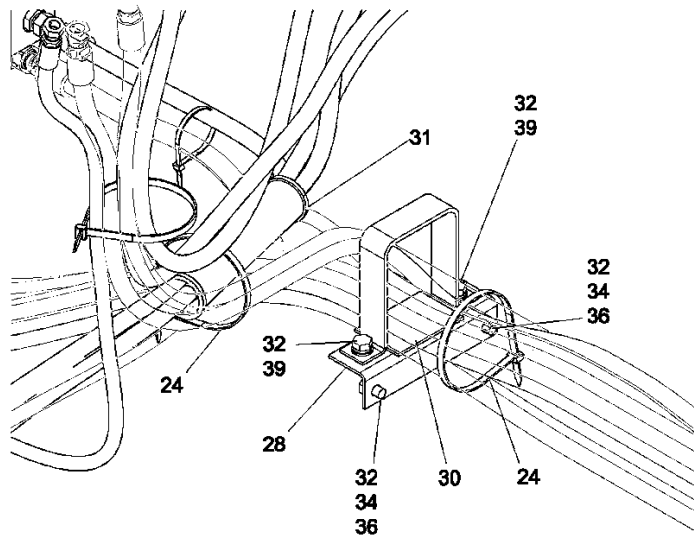
Manitowoc

Notes

Manitowoc



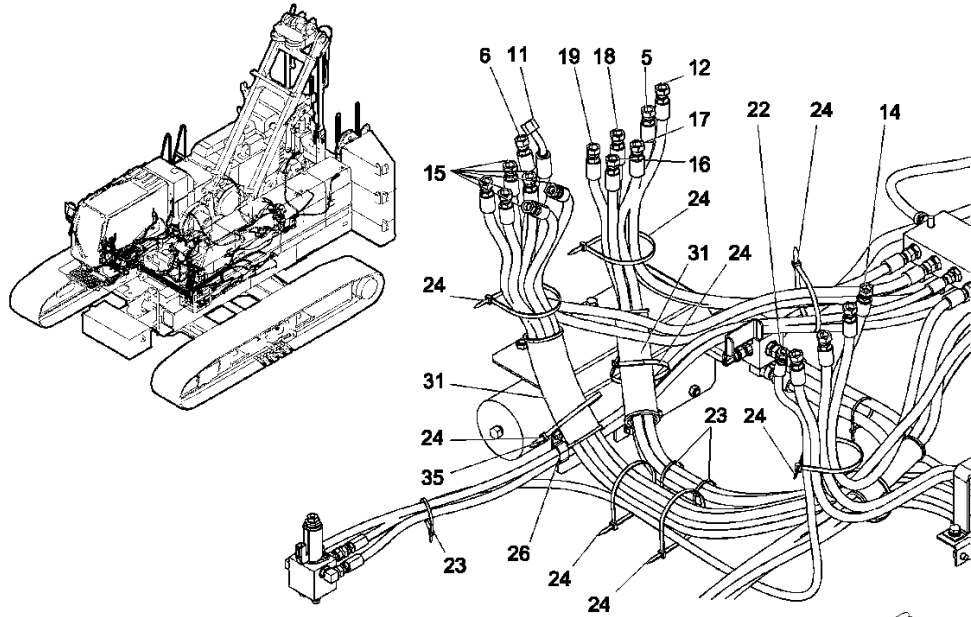
DETAIL B



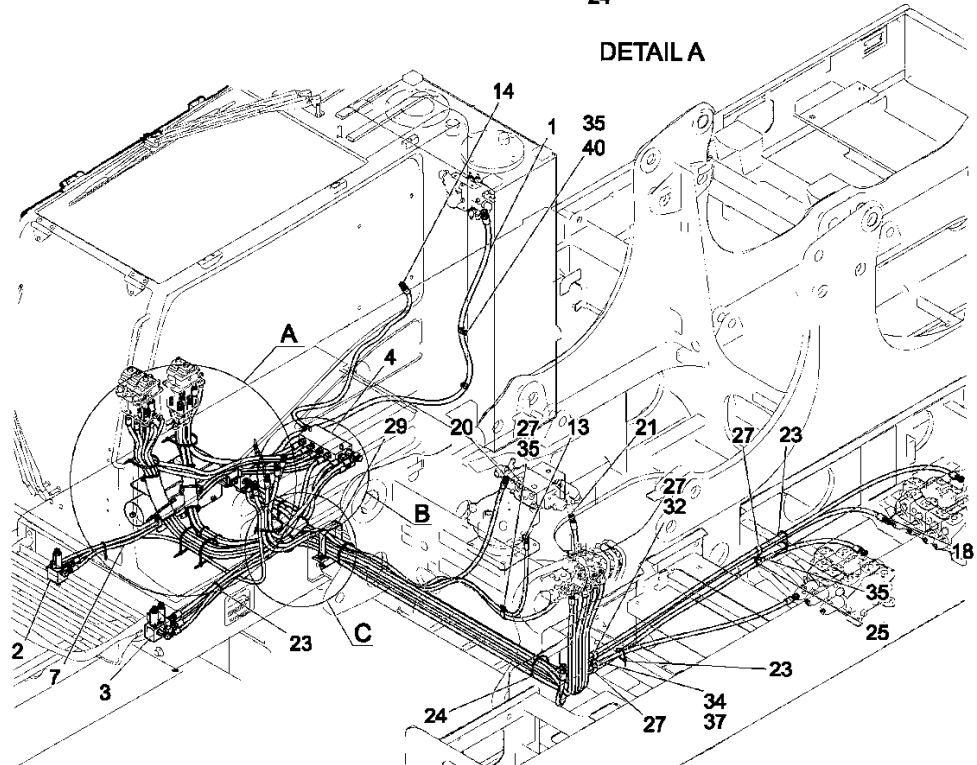
DETAIL C

Manitowoc

CONTROL LINES, FLOOR



DETAIL A



Manitowoc

Description
CNTRL LINES, FLOOR

Assembly No.
9999430859
 Revision:

Item	FN	Part	Qty	Description
1	+	9999430834	1	ACCUMULATOR INSTAL
2	+	9999431035	1	VALVE INSTAL 1-SECTION VALVE
3	+	9999431034	1	VALVE INSTAL 2-SECTION VALVE
4	+	9999430863	1	BLOCK ASSY UNDER FLOOR PLATE
5		9999432268	1	HOSE ASSY
6		9999432270	1	HOSE ASSY
7		9999424892	1	HOSE ASSY
8		9999426526	1	HOSE ASSY
9		9999432272	2	HOSE ASSY
10		9999420592	1	HOSE
11		9999432345	1	HOSE ASSY
12		9999432269	1	HOSE ASSY
13		9999432263	1	HOSE ASSY
14		9999432271	2	HOSE ASSY
15		9999432281	6	HOSE ASSY
16		9999432282	1	HOSE ASSY
17		9999432283	1	HOSE ASSY
18		9999432284	1	HOSE ASSY
19		9999432286	1	HOSE ASSY
20		9999432276	1	HOSE ASSY
21		9999424910	1	HOSE ASSY, USE AS REQUIRED
22		9999432262	1	HOSE ASSY
23		9999406274	7	CLIP
24		9999406275	11	CLIP
25		9999424393	2	CLIP
26		9999432187	1	CLIP
27		9999424405	4	CLIP
28		9999431339	1	BRKT
29		9999431340	1	CLAMP
30		9999431882	1	RUBBER
31		9999432175	3	GROMMET
32		9999424855	5	WASHER,
33		9999424867	2	LOCK WASHER

+ SEE FURTHER BREAKDOWN THIS GROUP

Manitowoc

Description
CNTRL LINES, FLOOR

Assembly No.
9999430859
Revision:

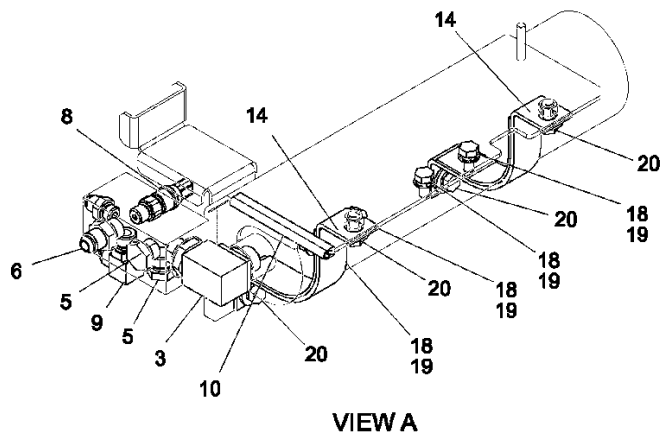
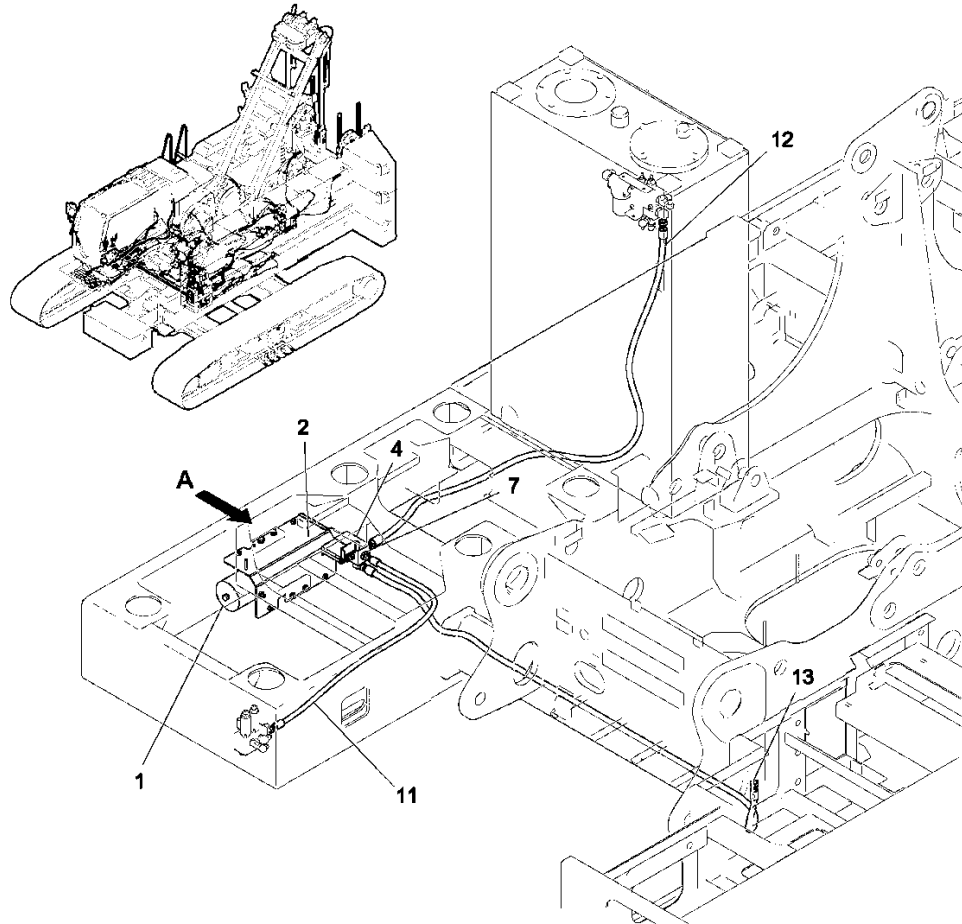
Item	FN	Part	Qty	Description
34		9999424877	3	LOCK WASHER
35		9999408711	5	NUT
36		9999424692	2	CAPSCREW
37		9999424693	1	BOLT
38		9999424767	2	CAPSCREW
39		9999424514	2	SEMS-BOLT
40		9999424394	1	CLIP

Manitowoc

Notes

Manitowoc

ACCUMULATOR INSTAL



Manitowoc

Description

ACCUMULATOR INSTAL

Assembly No.

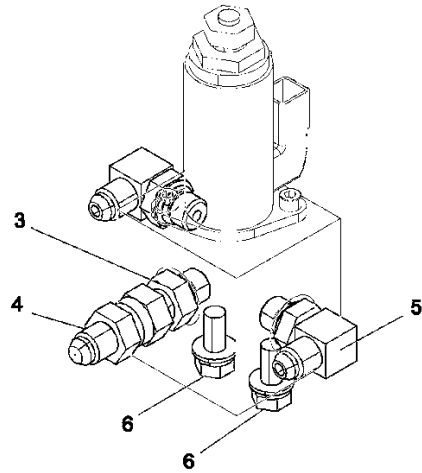
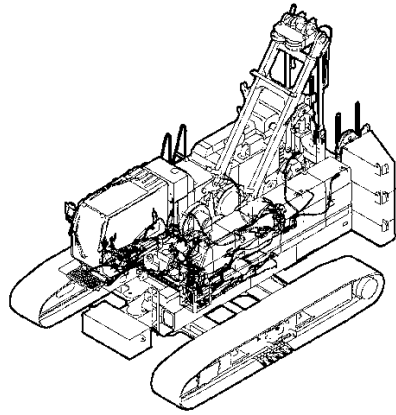
9999430834

Revision:

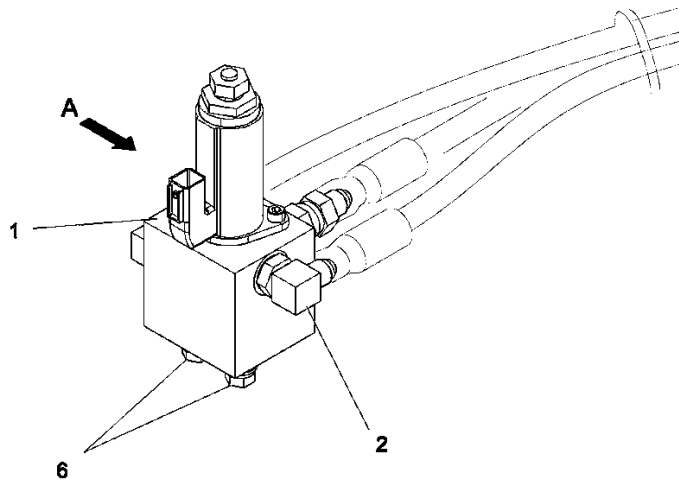
Item	FN	Part	Qty	Description
1		9999431859	1	ACCUMULATOR ASSY
2		9999431302	1	BRKT
3		9999422674	1	ELBOW
4		9999431293	1	MANIFOLD
5		9999424449	2	PLUG
6		9999424479	1	CONNECTOR
7		9999424477	1	CONNECTOR
8		9999426022	1	SENSOR, PRESS
9		9999424490	1	ELBOW, 90
10		9999431109	1	TRIM
11		9999426526	1	HOSE ASSY
12		9999432292	1	HOSE ASSY
13		9999432293	1	HOSE ASSY
14		9999422641	2	CLAMP
18		9999424855	4	WASHER,
19		9999419667	4	SEMS-BOLT
20		9999424526	4	SEMS-BOLT

Manitowoc

VALVE INSTAL 1-SECTION VALVE



VIEW A



Manitowoc

Description

VALVE INSTAL 1-SECTION VALVE

Assembly No.

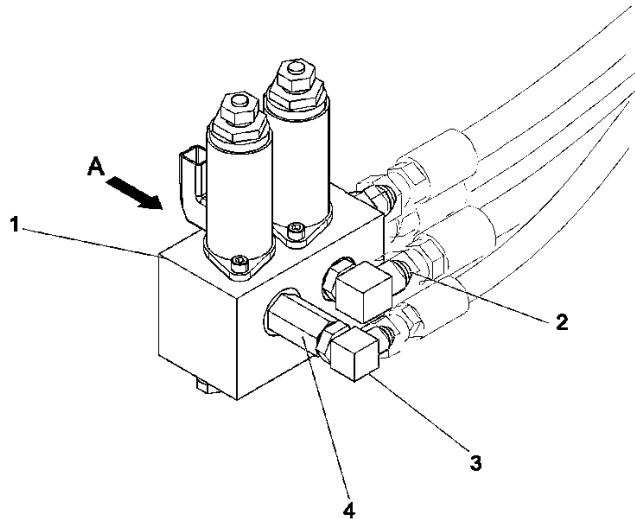
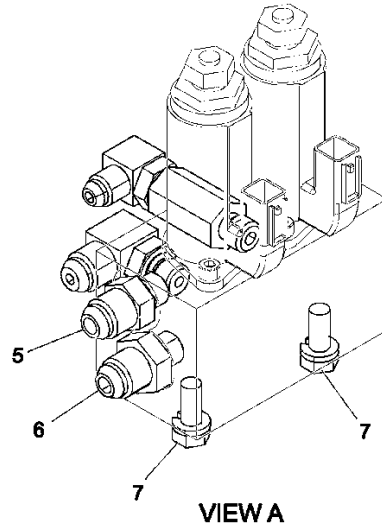
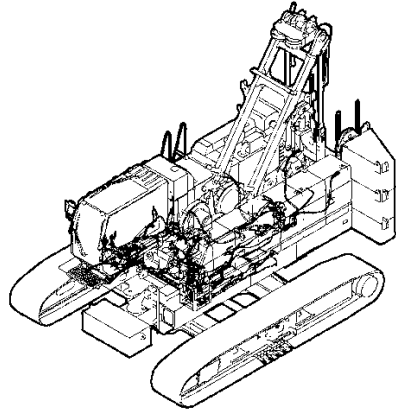
9999431035

Revision:

Item	FN	Part	Qty	Description
1		9999432138	1	VALVE ASSY, SOLENOID
2		9999424486	1	ELBOW, 90
3		9999424475	1	CONNECTOR
4		9999405289	1	CONNECTOR
5		9999424061	1	ELBOW
6		9999424519	2	SEMS-BOLT

Manitowoc

VALVE INSTAL 2-SECTION VALVE



Manitowoc

Description

VALVE INSTAL 2-SECTION VALVE

Assembly No.

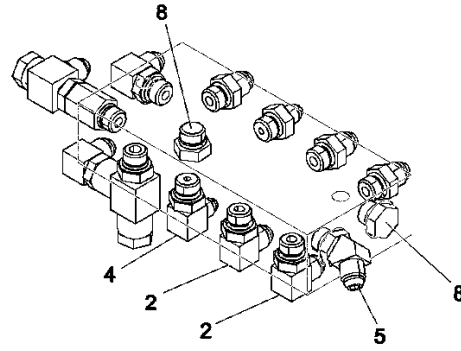
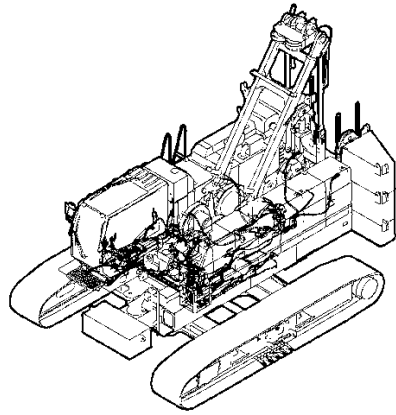
9999431034

Revision:

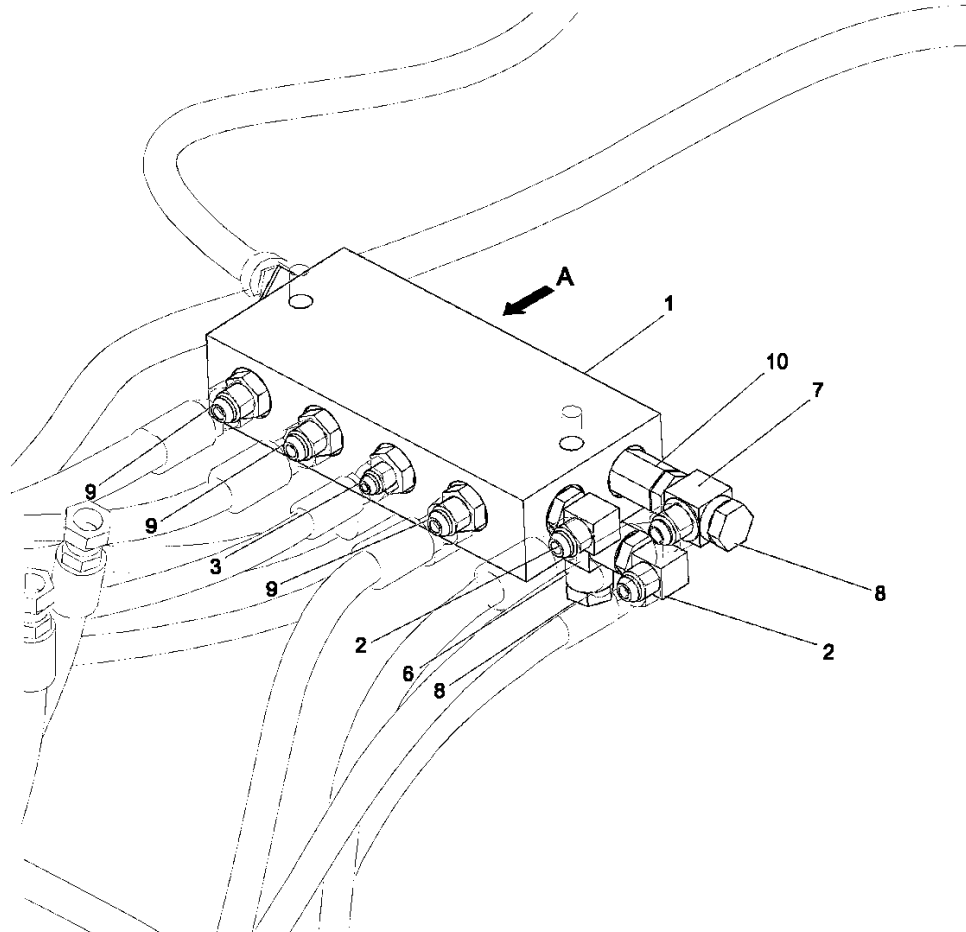
Item	FN	Part	Qty	Description
1		9999432168	1	VALVE ASSY, SOLENOID
2		9999421210	1	ELBOW, 90
3		9999424486	1	ELBOW, 90
4		9999427931	1	CONNECTOR
5		9999422541	1	CONNECTOR
6		9999424055	1	CONNECTOR
7		9999424513	2	SEMS-BOLT

Manitowoc

BLOCK ASSY
UNDER FLOOR PLATE



VIEW A



Manitowoc

Description

BLOCK ASSY UNDER FLOOR PLATE

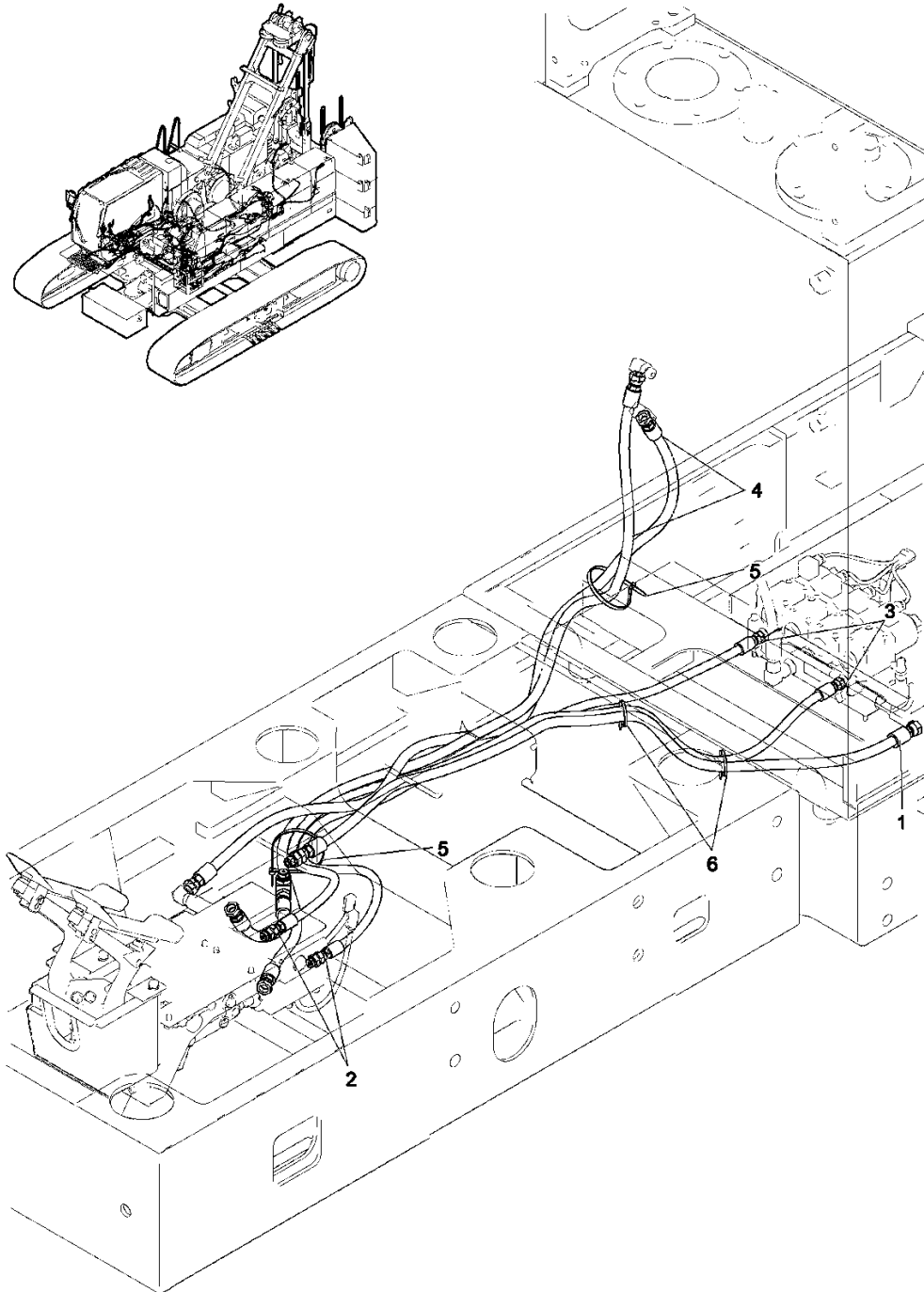
Assembly No.

9999430863

Revision:

Item	FN	Part	Qty	Description
1		9999422829	1	BLOCK
2		9999424488	4	ELBOW, 90
3		9999424476	1	CONNECTOR
4		9999424487	1	ELBOW, 90
5		9999424497	1	ELBOW, 45
6		9999422538	1	TEE
7		9999430611	1	TEE
8		9999424448	4	PLUG
9		9999424477	3	CONNECTOR
10		9999432046	1	CONNECTOR

CONTROL LINES, FLOOR WITH FREE FALL



Manitowoc

Description
CNTRL LINES, FLOOR W/ FREE FALL

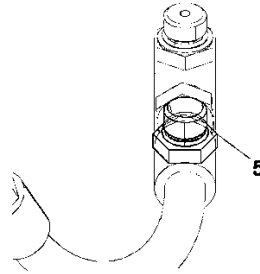
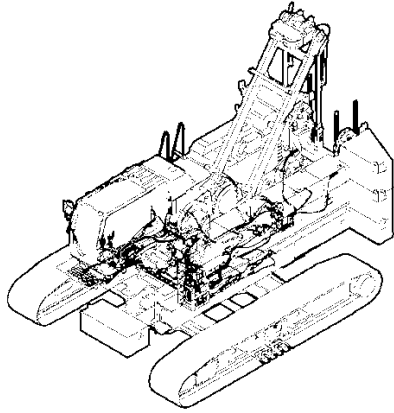
Assembly No.
9999430858
Revision:

Item	FN	Part	Qty	Description
1	+	9999430835	1	ACCUMULATOR INSTAL W/ FREE FALL
2		9999424474	2	CONNECTOR
3		9999432274	2	HOSE ASSY
4		9999420607	2	HOSE ASSY
5		9999406275	2	CLIP
6		9999406274	2	CLIP

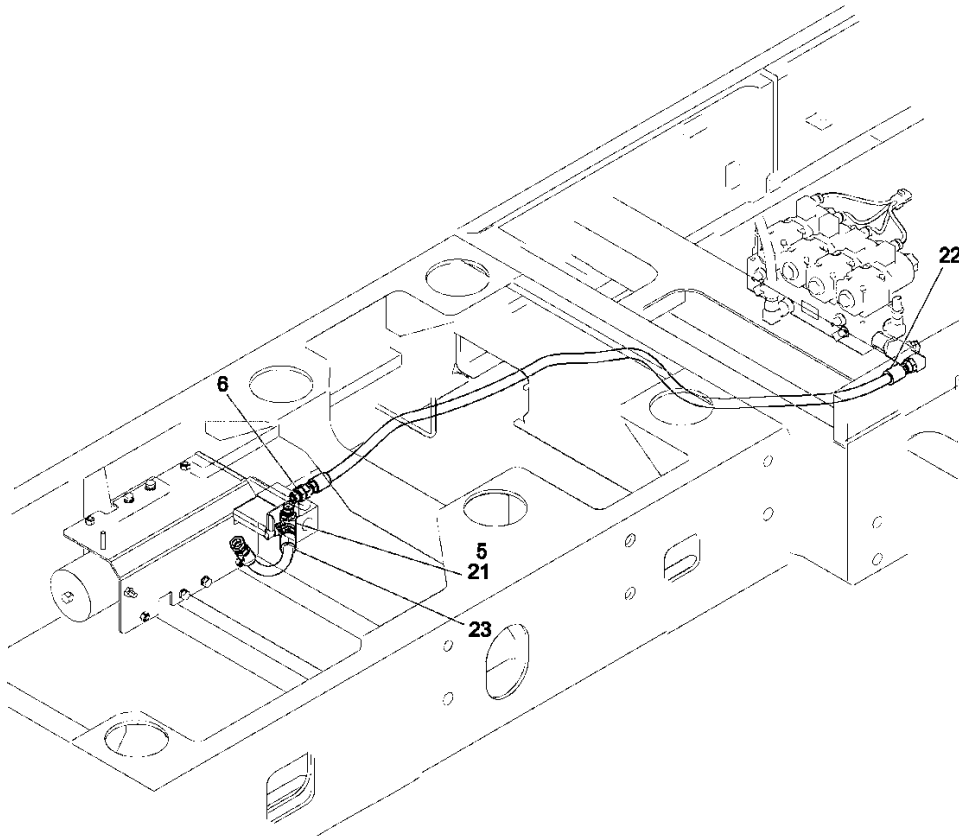
+ SEE FURTHER BREAKDOWN THIS GROUP

Manitowoc

ACCUMULATOR INSTAL WITH FREE FALL



DETAIL ITEM 5



Manitowoc

Description

ACCUMULATOR INSTAL W/ FREE FALL

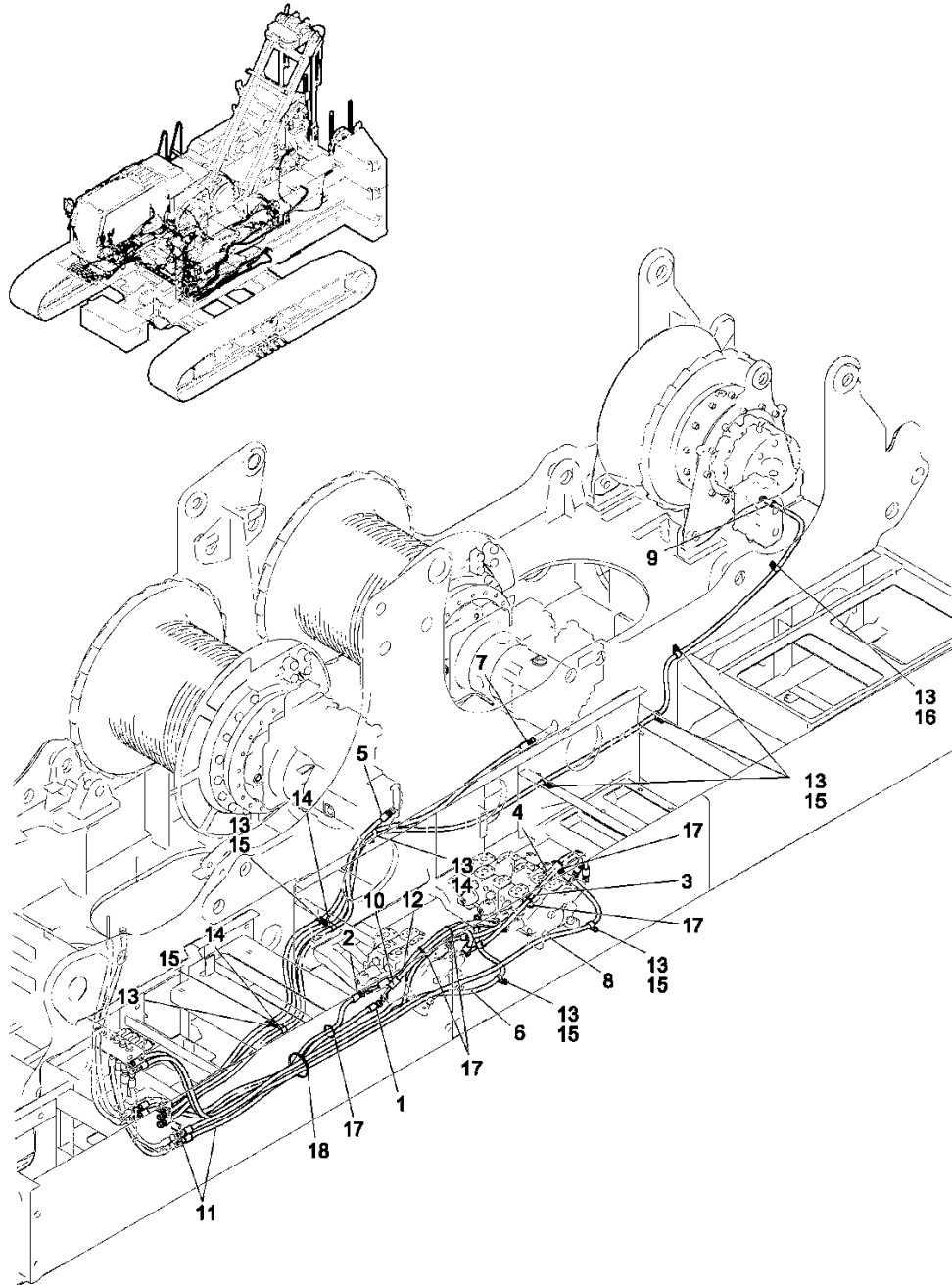
Assembly No.

9999430835

Revision:

Item	FN	Part	Qty	Description
5		9999424449	1	PLUG
6		9999424479	1	CONNECTOR
21		9999422537	1	TEE
22		9999432291	1	HOSE ASSY
23		9999432287	1	HOSE ASSY

CONTROL LINES, VALVE MAIN



Manitowoc

Description

CNTRL LINES, VALVE MAIN

Assembly No.

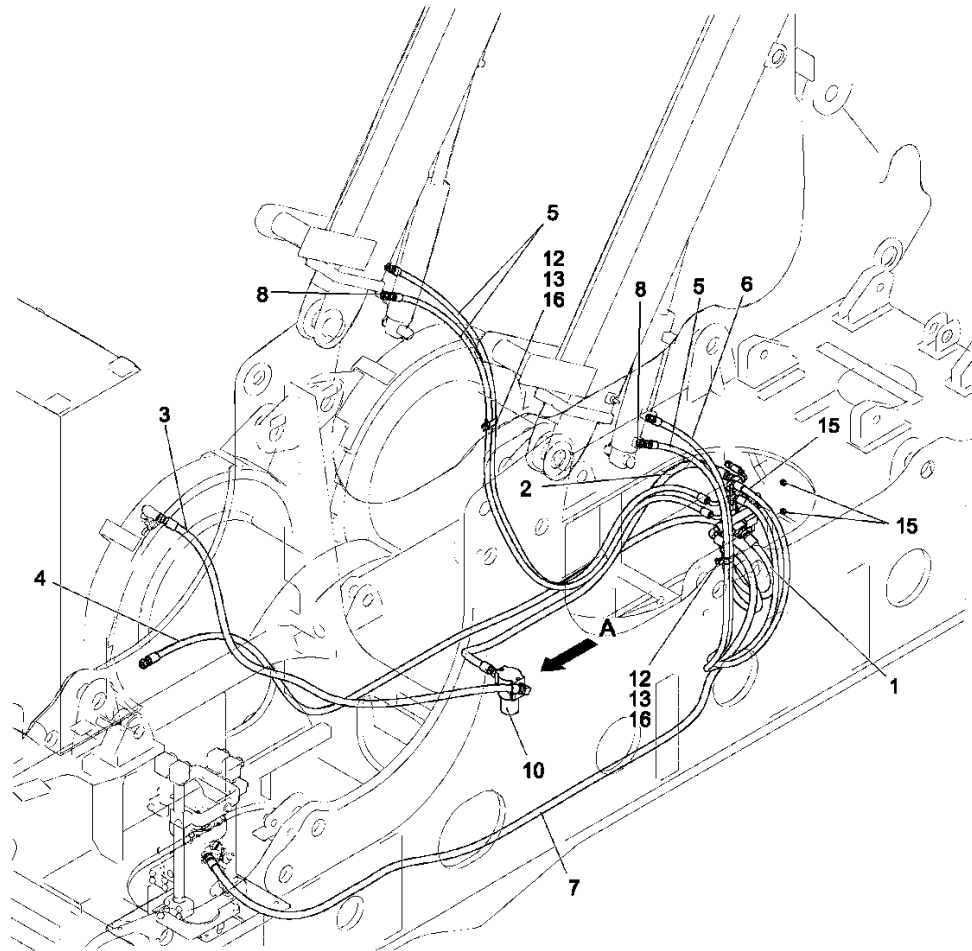
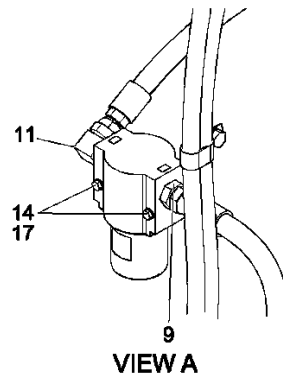
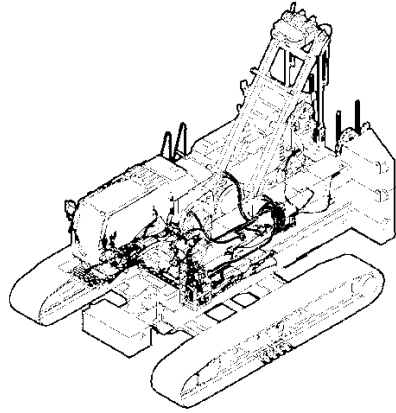
9999431037

Revision:

Item	FN	Part	Qty	Description
1		9999432272	1	HOSE ASSY
2		9999432273	1	HOSE ASSY
3		9999432326	1	HOSE ASSY
4		9999432327	1	HOSE ASSY
5		9999432275	1	HOSE ASSY
6		9999432277	1	HOSE ASSY
7		9999432278	1	HOSE ASSY
8		9999424912	1	HOSE ASSY
9		9999432285	1	HOSE ASSY
10		9999432339	1	HOSE ASSY
11		9999424909	2	HOSE ASSY
12		9999432340	1	HOSE ASSY
13		9999408711	9	NUT
14		9999424405	3	CLIP
15		9999424393	7	CLIP
16		9999432185	1	CLIP
17		9999406274	5	CLIP
18		9999406275	1	CLIP

Manitowoc

VALVE INSTAL GANTRY CYLINDER



Manitowoc

Description

VALVE INSTAL GANTRY CYL

Assembly No.

9999431036

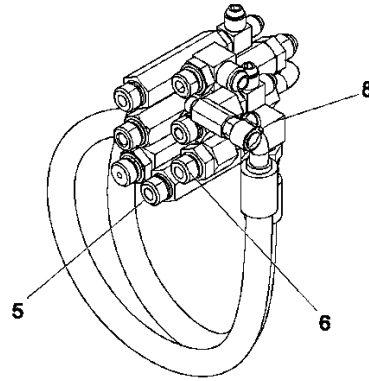
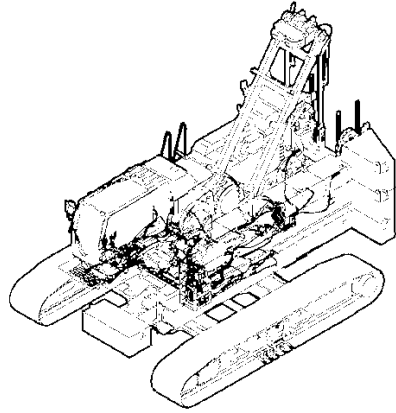
Revision:

Item	FN	Part	Qty	Description
1	+	9999431041	1	CONNECTOR ASSY GANTRY VALVE
2		9999432301	1	HOSE ASSY
3		9999432302	1	HOSE ASSY
4		9999432310	1	HOSE ASSY
5		9999432330	3	HOSE ASSY
6		9999432331	1	HOSE ASSY
7		9999432334	1	HOSE ASSY
8		9999422550	2	CONNECTOR
9		9999424479	1	CONNECTOR
10	+	9999405345	1	FILTER, INLINE
11		9999424490	1	ELBOW, 90
12		9999424405	2	CLIP
13		9999424692	2	CAPSCREW
14		9999424683	2	CAPSCREW
15		9999424567	3	NUT
16		9999424877	2	LOCK WASHER
17		9999424875	2	LOCK WASHER

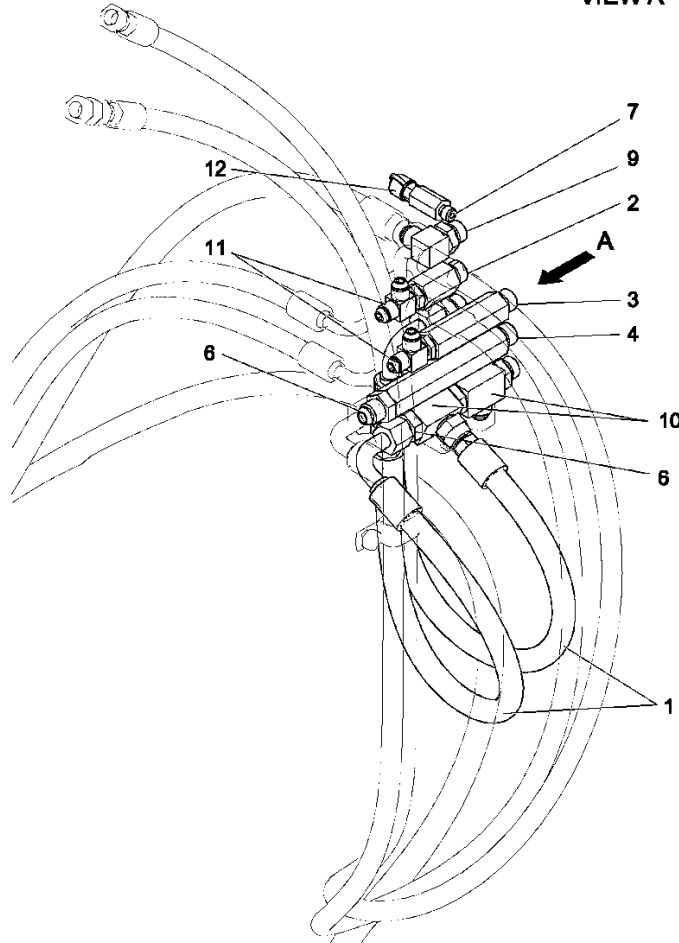
+ SEE FURTHER BREAKDOWN THIS GROUP

Manitowoc

CONNECTOR ASSY GANTRY VALVE



VIEW A



Manitowoc

Description

CONNECTOR ASSY GANTRY VALVE

Assembly No.

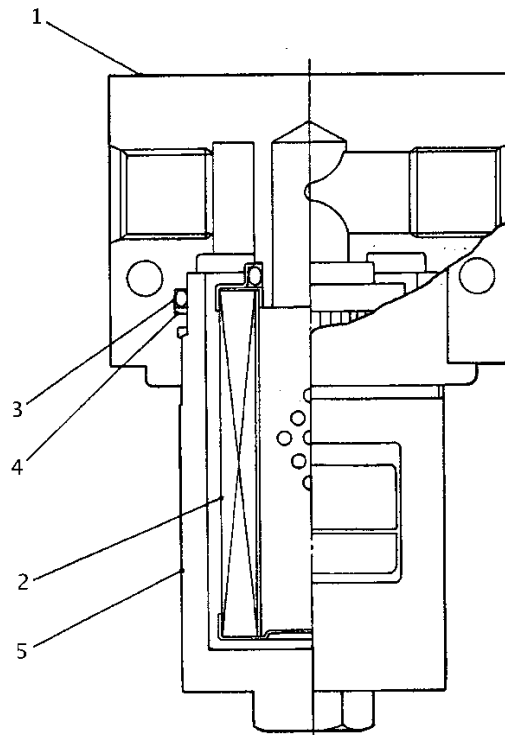
9999431041

Revision:

Item	FN	Part	Qty	Description
1		9999428333	2	HOSE ASSY
2		9999426067	1	CONNECTOR
3		9999408697	1	CONNECTOR
4		9999428266	1	CONNECTOR
5		9999429803	1	CONNECTOR
6		9999424479	3	CONNECTOR
7		9999427931	1	CONNECTOR
8		9999429741	1	ELBOW, 90
9		9999424490	1	ELBOW, 90
10		9999422537	2	TEE
11		9999427932	2	TEE
12		9999406548	1	PLUG

Manitowoc

FILTER, INLINE



Manitowoc

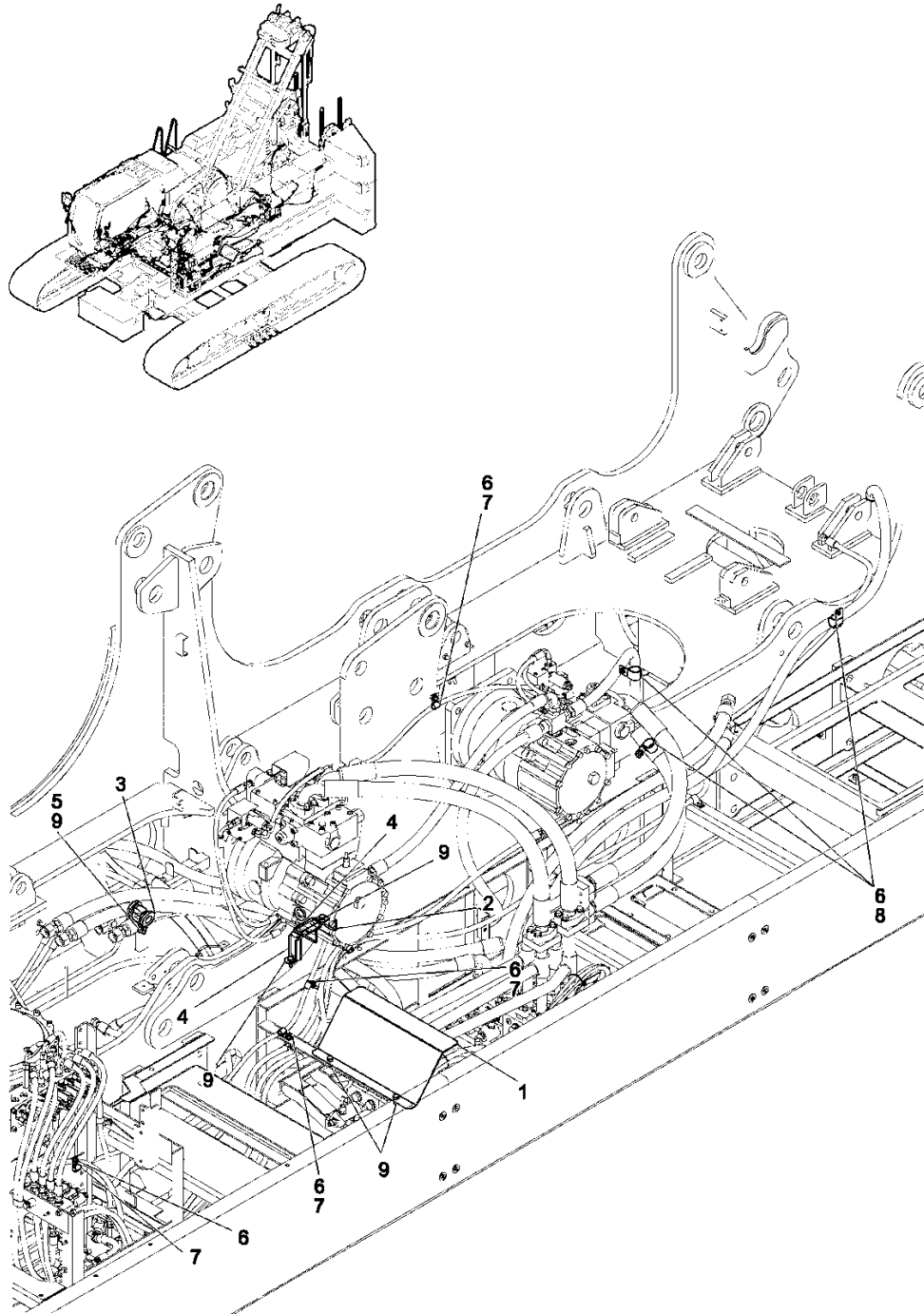
Description
FILTER, INLINE

Assembly No.
9999405345
Revision:

Item	FN	Part	Qty	Description
1		9999405346	1	BODY
2		9999425024	1	FILTER, INLINE
3		9999422630	1	O-RING
4		9999422565	1	RING
5		9999430000	1	CASE

Manitowoc

HYD LINES, UPP



Manitowoc

Description
HYD LINES, UPP

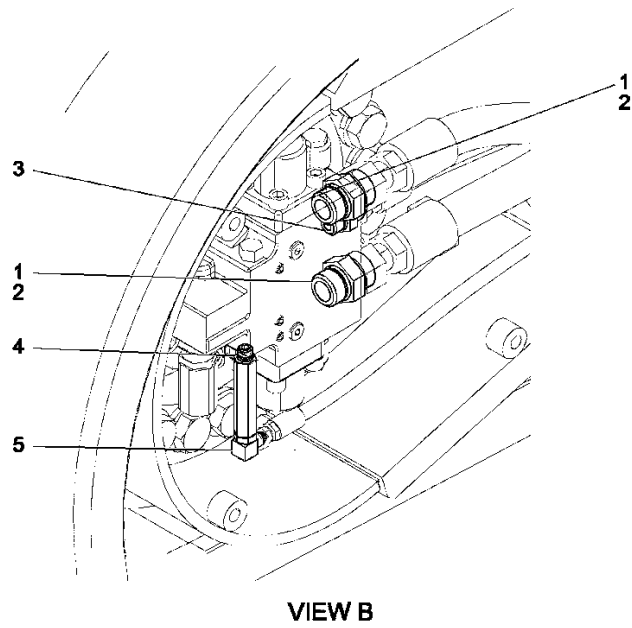
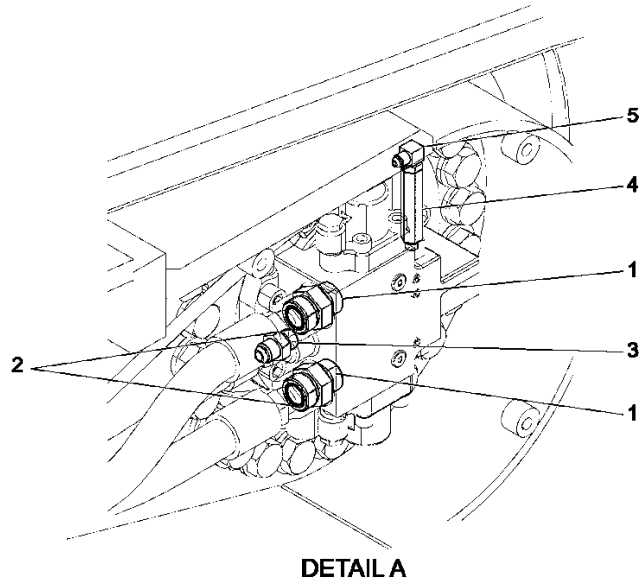
Assembly No.
9999430833
Revision:

Item	FN	Part	Qty	Description
1		9999431295	1	COVER
2		9999431704	1	BRKT
3		9999432139	1	BUSHING
4		9999424244	2	RUBBER
5		9999431303	1	CLAMP
6		9999408711	7	NUT
7		9999419252	4	CLIP
8		9999424396	3	CLIP
9		9999424511	6	SEMS-BOLT

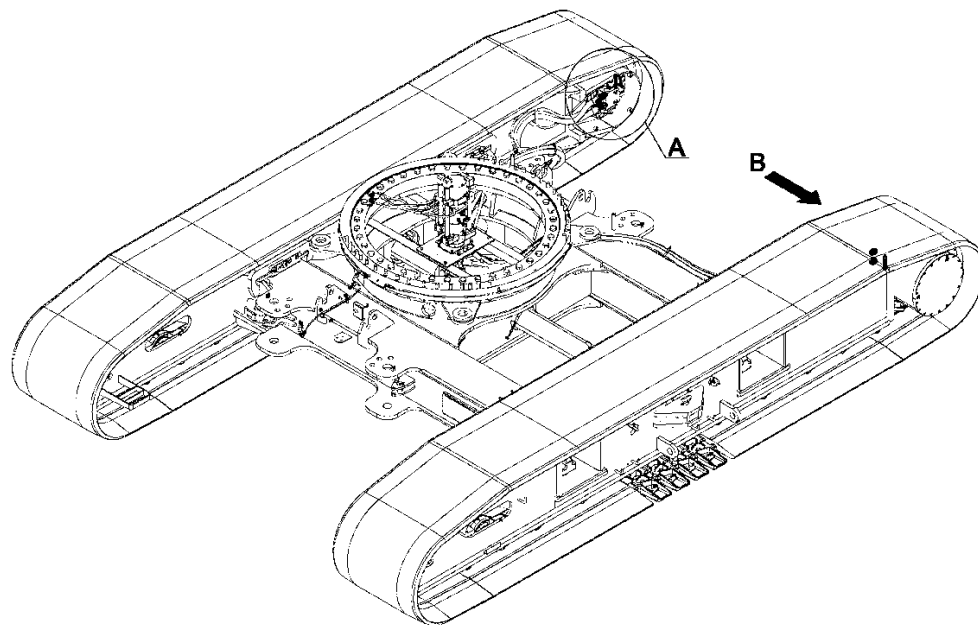
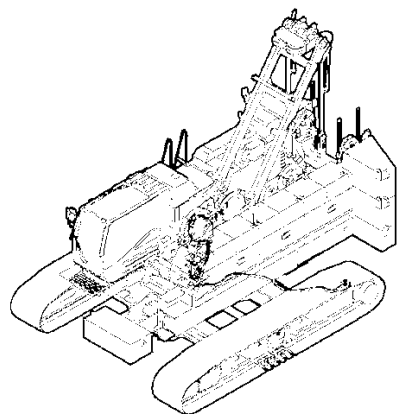
Manitowoc

Notes

Manitowoc



HYD LINES, PROPEL



Manitowoc

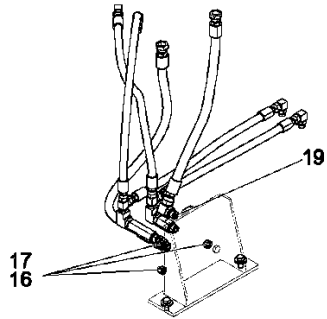
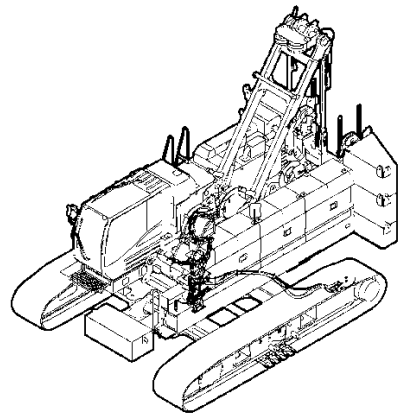
Description
HYD LINES, PROPEL

Assembly No.
9999430871
Revision:

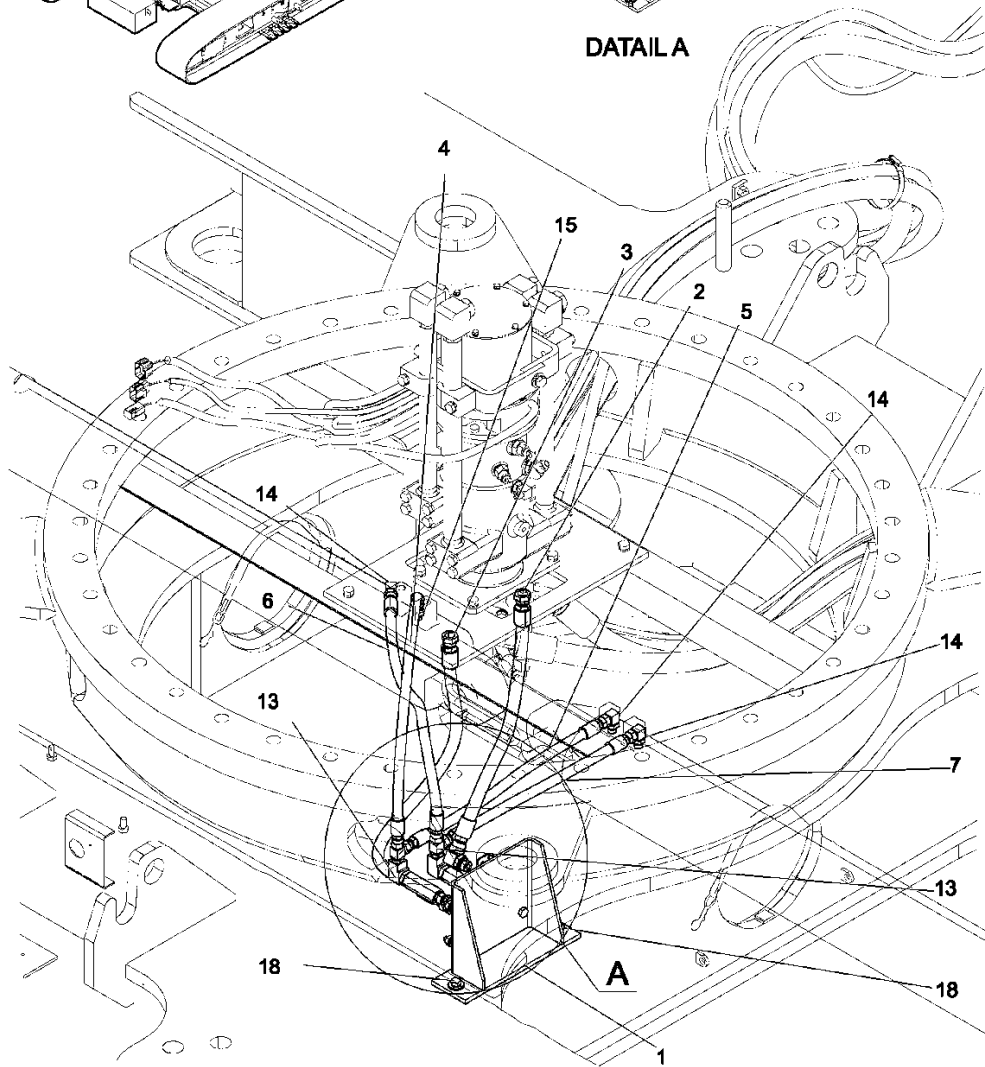
Item	FN	Part	Qty	Description
1		9999424467	4	CONNECTOR
2		9999424424	4	O-RING
3		9999424479	2	CONNECTOR
4		9999432045	2	CONNECTOR
5		9999424486	2	ELBOW, 90

Manitowoc

HYD LINES, CYLINDER
CRAWER EXT. /RET.



DATA I A



Manitowoc

Description
HYD LINES, CYL CRAWER EXT/RET

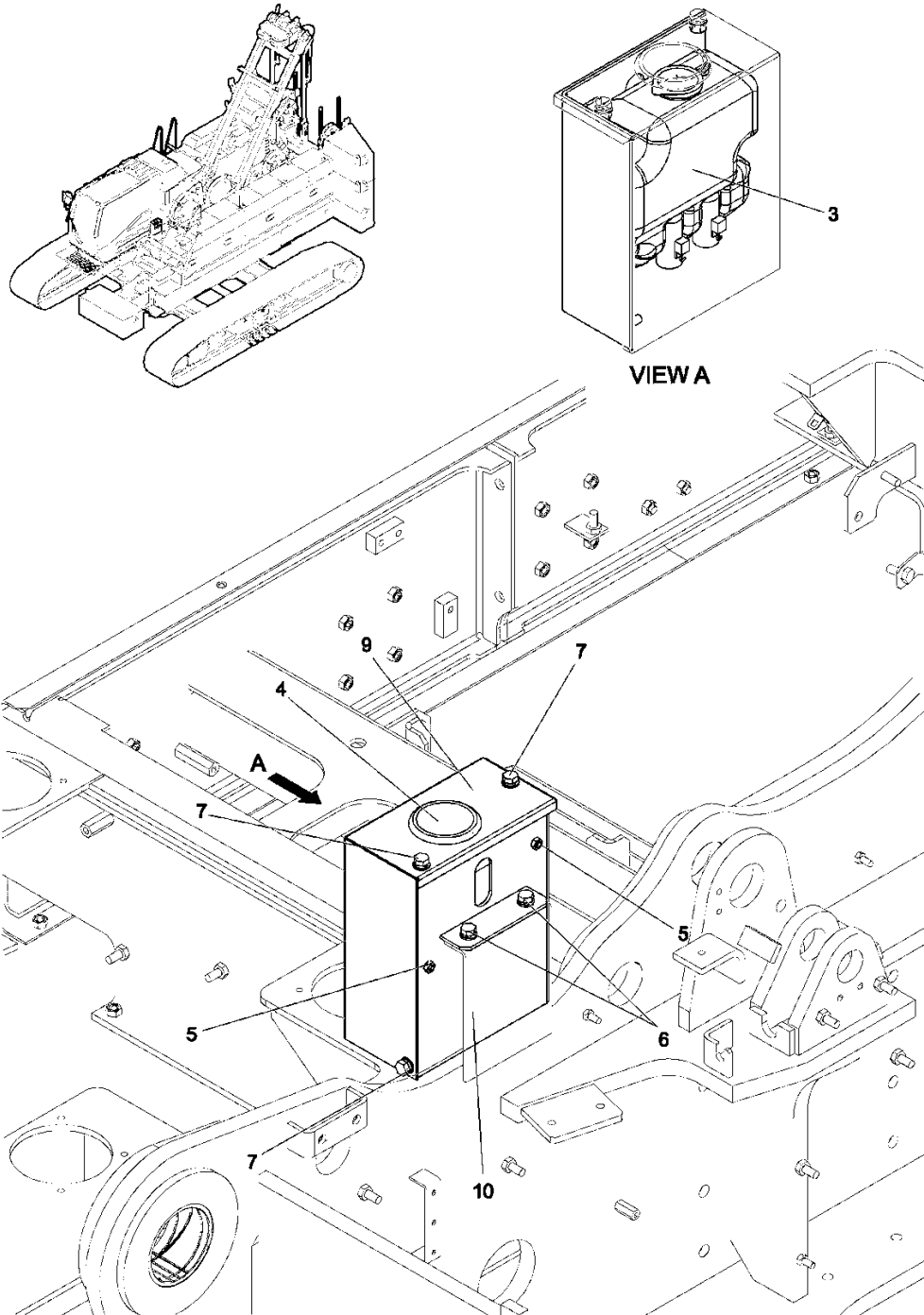
Assembly No.
9999430873
Revision:

Item	FN	Part	Qty	Description
1		9999431399	1	BRKT
2		9999432300	1	HOSE ASSY
3		9999432246	1	HOSE ASSY
4		9999432299	1	HOSE ASSY
5		9999432297	1	HOSE ASSY
6		9999432298	1	HOSE ASSY
7		9999432296	1	HOSE ASSY
13		9999427932	2	TEE
14		9999424488	3	ELBOW, 90
15		9999424497	1	ELBOW, 45
16		9999424877	3	LOCK WASHER
17		9999424567	3	NUT
18		9999424526	2	SEMS-BOLT
19		9999431400	1	CONNECTOR ASSY

Manitowoc

GG54C00007F1

TANK ASSY, WASHER
WASHER TANK



Manitowoc

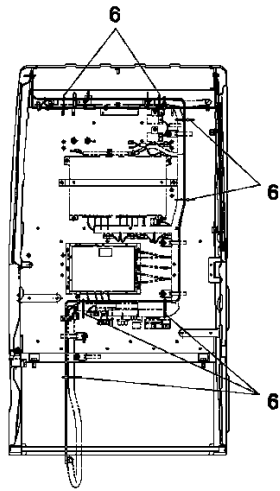
Description
TANK ASSY, WSHR

Assembly No.
9999430989
Revision:

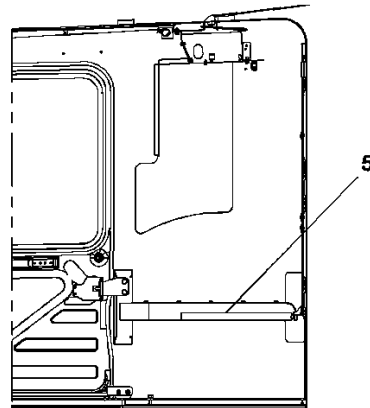
Item	FN	Part	Qty	Description
3		9999407353	1	TANK, WASHER, WINDOW
4		9999432126	1	GROMMET
5		9999424541	2	SEMS-BOLT
6		9999424522	2	SEMS-BOLT
7		9999424521	3	SEMS-BOLT
9		9999431930	1	COVER
10		9999431931	1	BRKT

Manitowoc

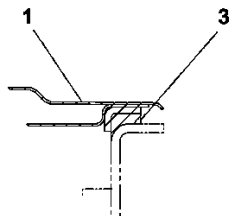
Notes



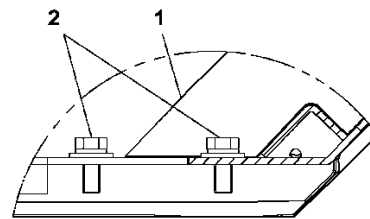
SECTION G-G



VIEW E



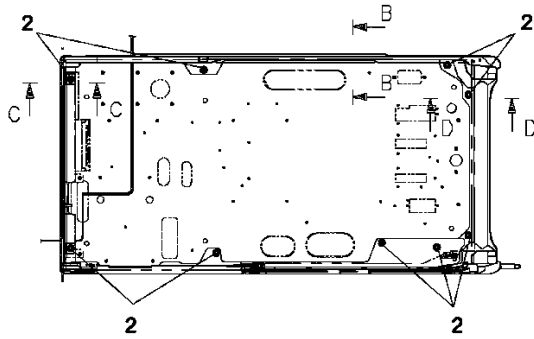
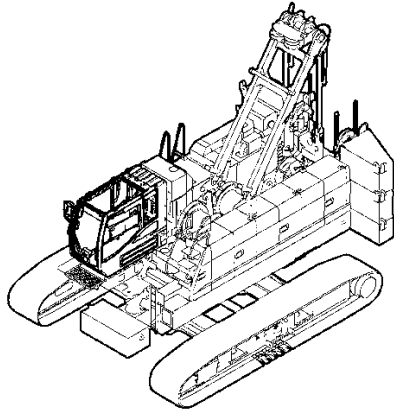
SECTION B-B



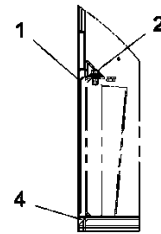
SECTION D-D

Manitowoc

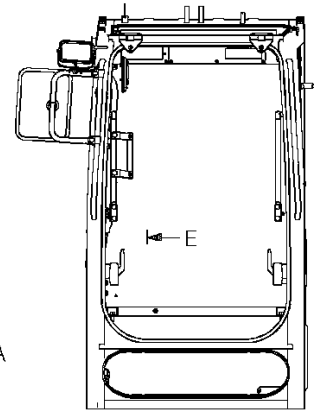
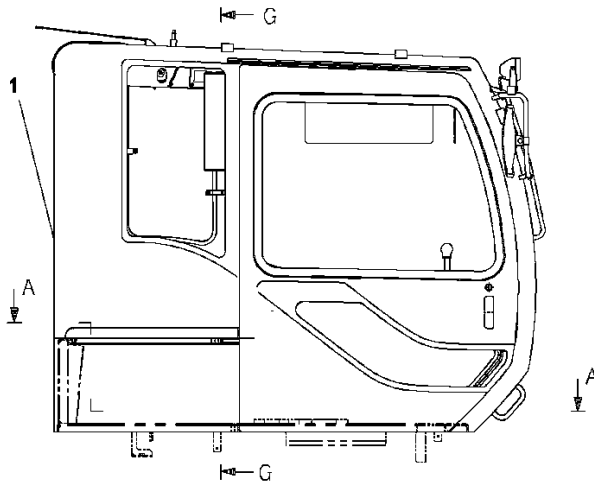
CAB INSTAL



SECTION A-A



SECTION C-C



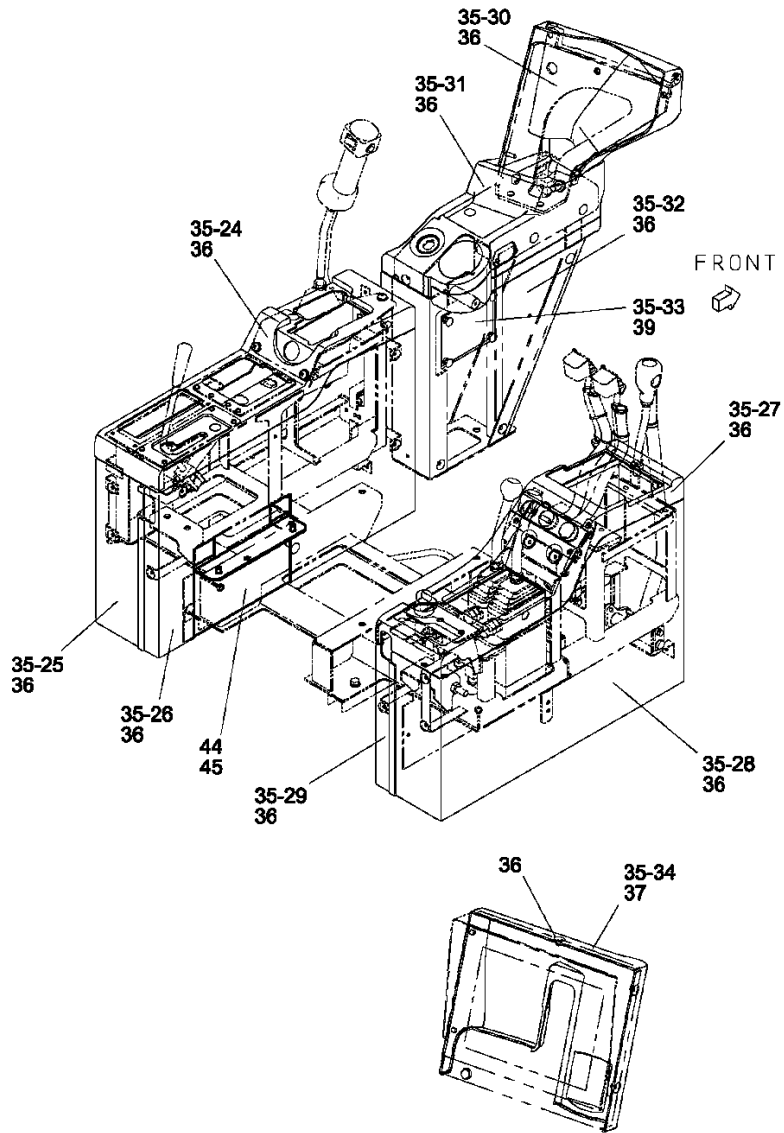
Manitowoc

Description
CAB INSTAL

Assembly No.
9999430817
Revision:

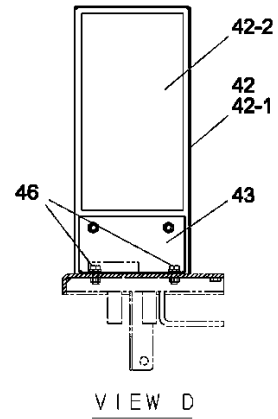
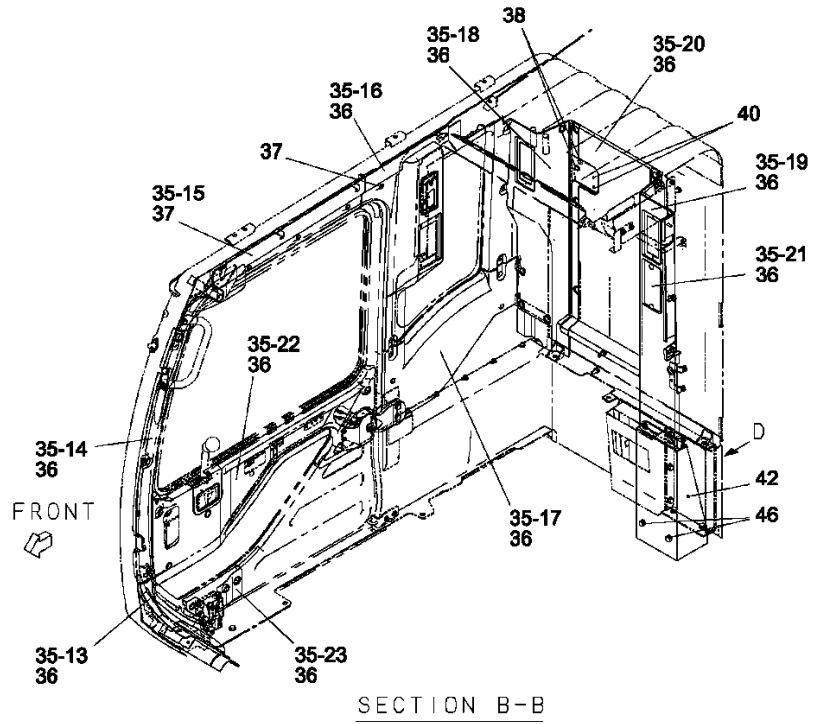
Item	FN	Part	Qty	Description
1		9999431207	1	CAB ASSY
2		9999424528	9	SEMS-BOLT
3		9999431078	1	SEAL
4		9999431077	1	SEAL
5		9999431659	1	INSULATION
6		9999406274	7	CLIP

Manitowoc



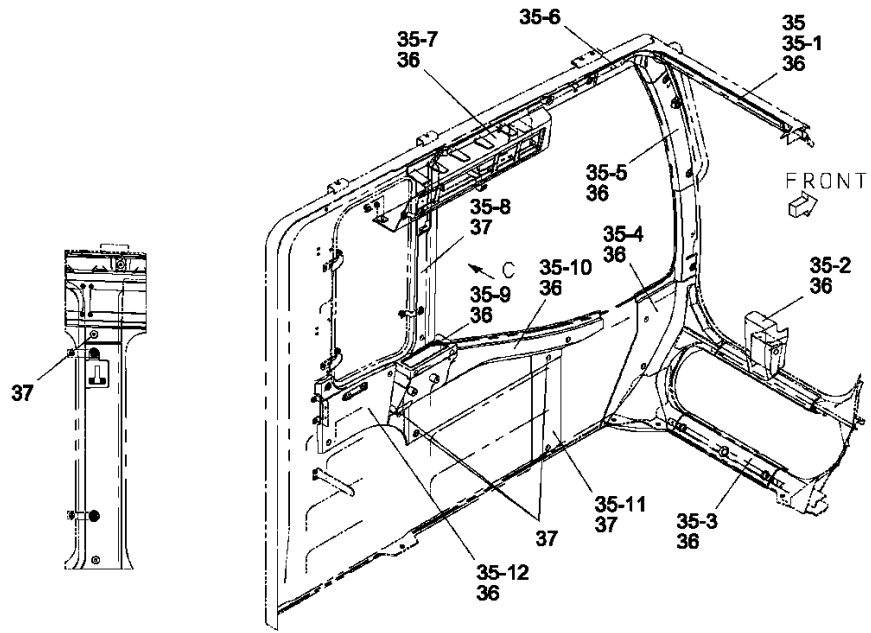
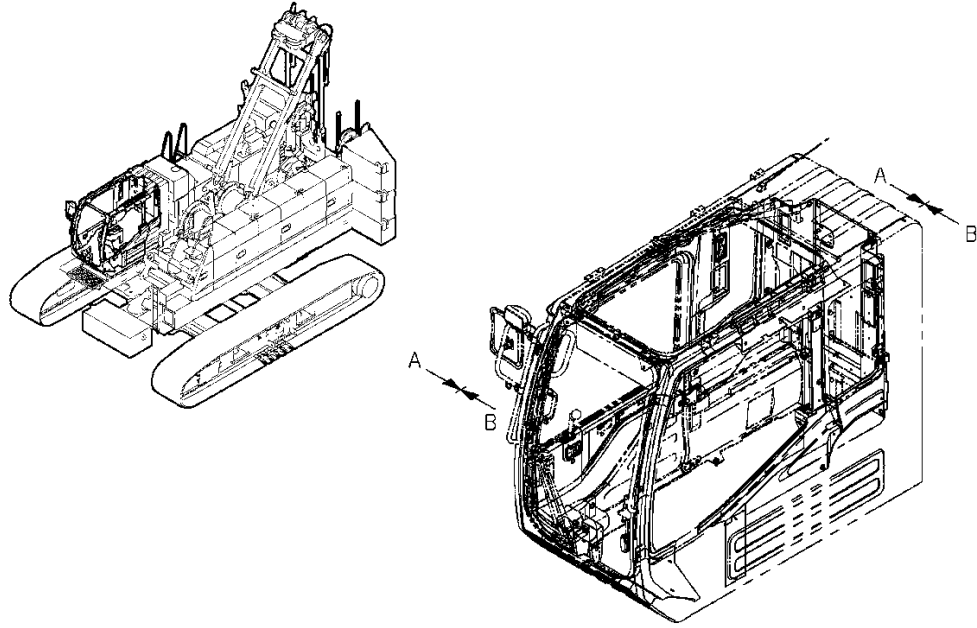
DETAIL OF MONITOR

Manitowoc



Manitowoc

CAB INSTAL INTERIOR TRIM INSTAL



VIEW C

SECTION A-A

Manitowoc

Description

CAB INSTAL INTERIOR TRIM

Assembly No.

9999430818

Revision:

Item	FN	Part	Qty	Description
35		9999431208	1	ACCESSORIES, CAB
35-1		9999431209	1	TRIM
35-2		9999431210	1	TRIM
35-3		9999431211	1	TRIM
35-4		9999431212	1	TRIM
35-5		9999431213	1	TRIM
35-6		9999431214	1	TRIM
35-7		9999431215	1	TRIM
35-8		9999431216	1	TRIM
35-9		9999431217	1	TRIM
35-10		9999431218	1	TRIM
35-11		9999431219	1	TRIM
35-12		9999431220	1	TRIM
35-13		9999431221	1	TRIM
35-14		9999431222	1	TRIM
35-15		9999431223	1	TRIM
35-16		9999431224	1	TRIM
35-17		9999431225	1	TRIM
35-18		9999431226	1	TRIM
35-19		9999431227	1	TRIM
35-20		9999431228	1	TRIM
35-21		9999431229	1	TRIM
35-22		9999431230	1	TRIM
35-23		9999431231	1	TRIM
35-24		9999431232	1	TRIM
35-25		9999431233	1	TRIM
35-26		9999431234	1	TRIM
35-27		9999431235	1	TRIM
35-28		9999431236	1	TRIM
35-29		9999431237	1	TRIM
35-30		9999431238	1	TRIM
35-31		9999431239	1	TRIM
35-32		9999431240	1	TRIM
35-33		9999431241	1	TRIM

Manitowoc

Description

CAB INSTAL INTERIOR TRIM

Assembly No.

9999430818

Revision:

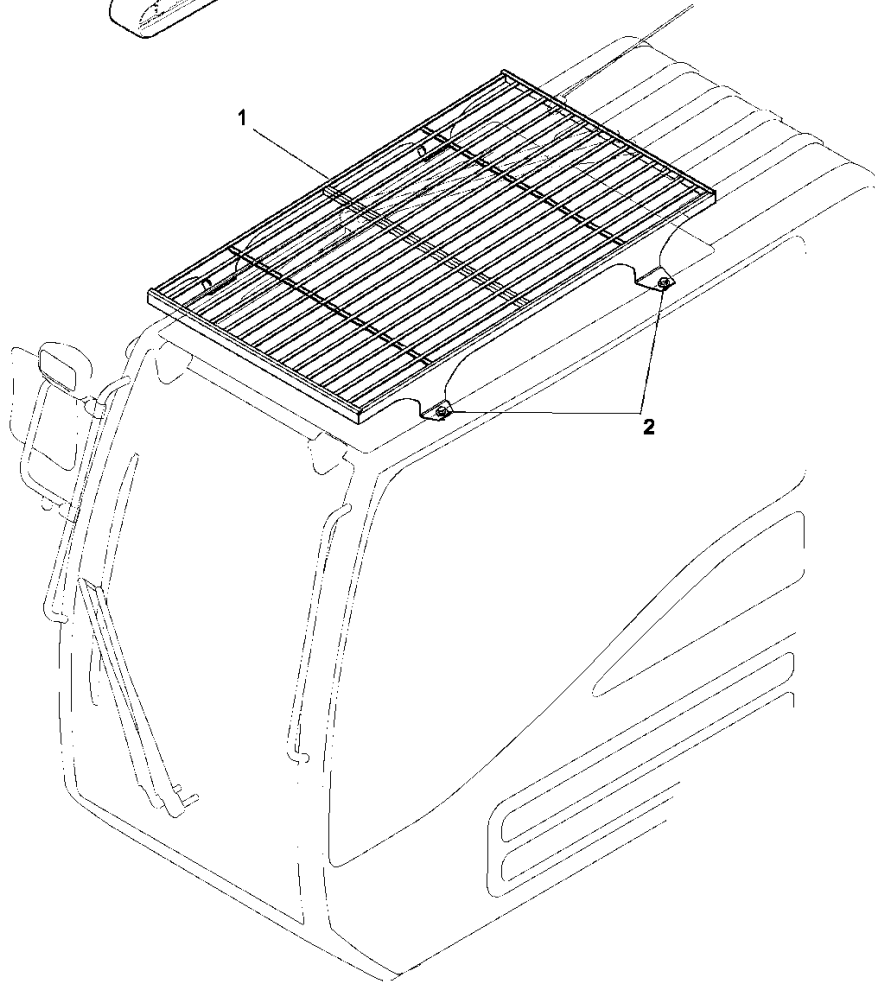
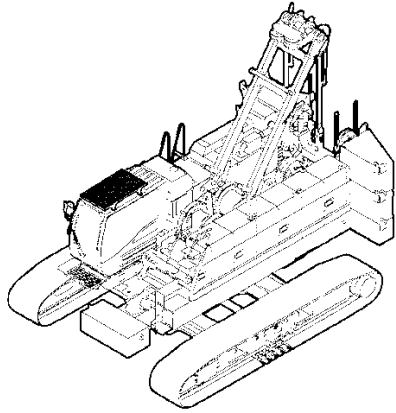
Item	FN	Part	Qty	Description
35-34		9999431242	1	TRIM
36		9999431244	126	CLIP
37		9999431245	14	CLIP
38		9999431246	2	CLIP
39		9999431117	4	CLIP
40		9999424535	2	SEMS-BOLT
42		9999432015	1	COVER ASSY
42-1		9999432017	1	COVER
42-2		9999431677	1	INSULATION
43		9999432016	1	BRKT
44		9999431830	2	COVER
45		9999432195	4	SEMS-BOLT
46		9999430158	4	SEMS-BOLT

Manitowoc

Notes

Manitowoc

GUARD ASSY, HEAD
OPT.



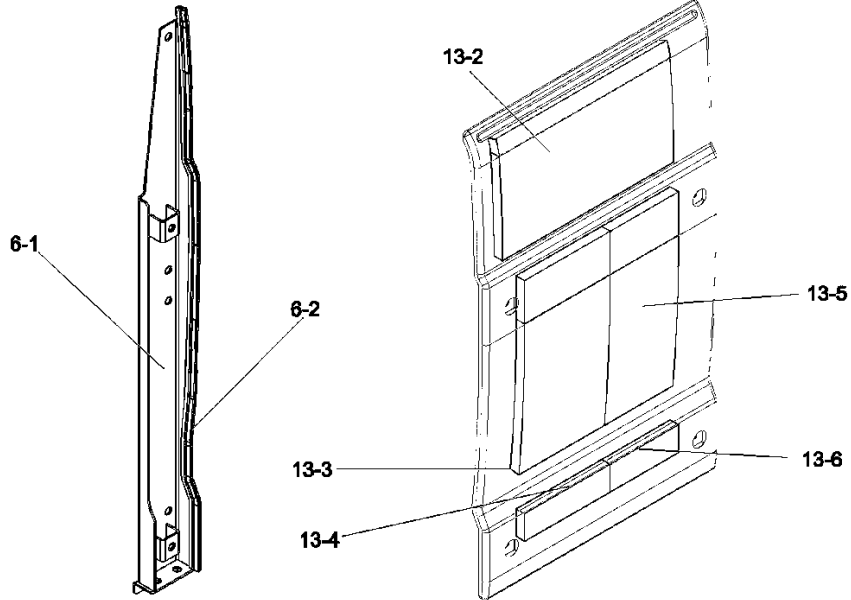
Manitowoc

Description
GUARD ASSY, HEAD

Assembly No.
9999430914
Revision:

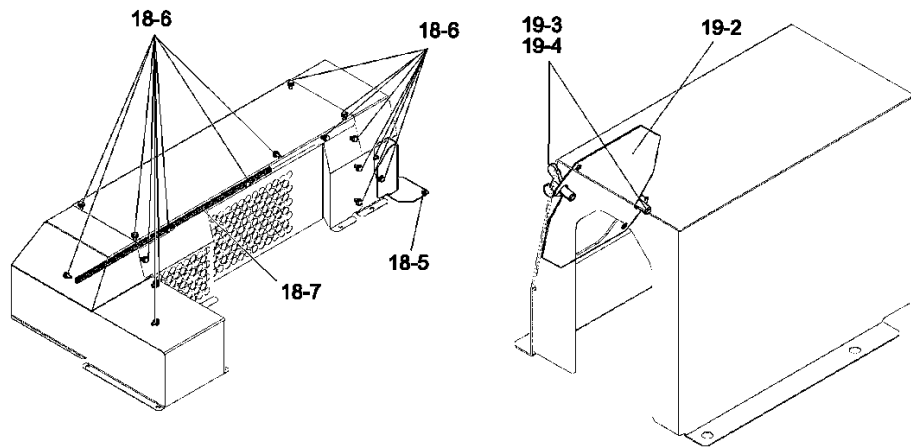
Item	FN	Part	Qty	Description
1		9999431622	1	GUARD
2		9999424526	4	SEMS-BOLT

Manitowoc



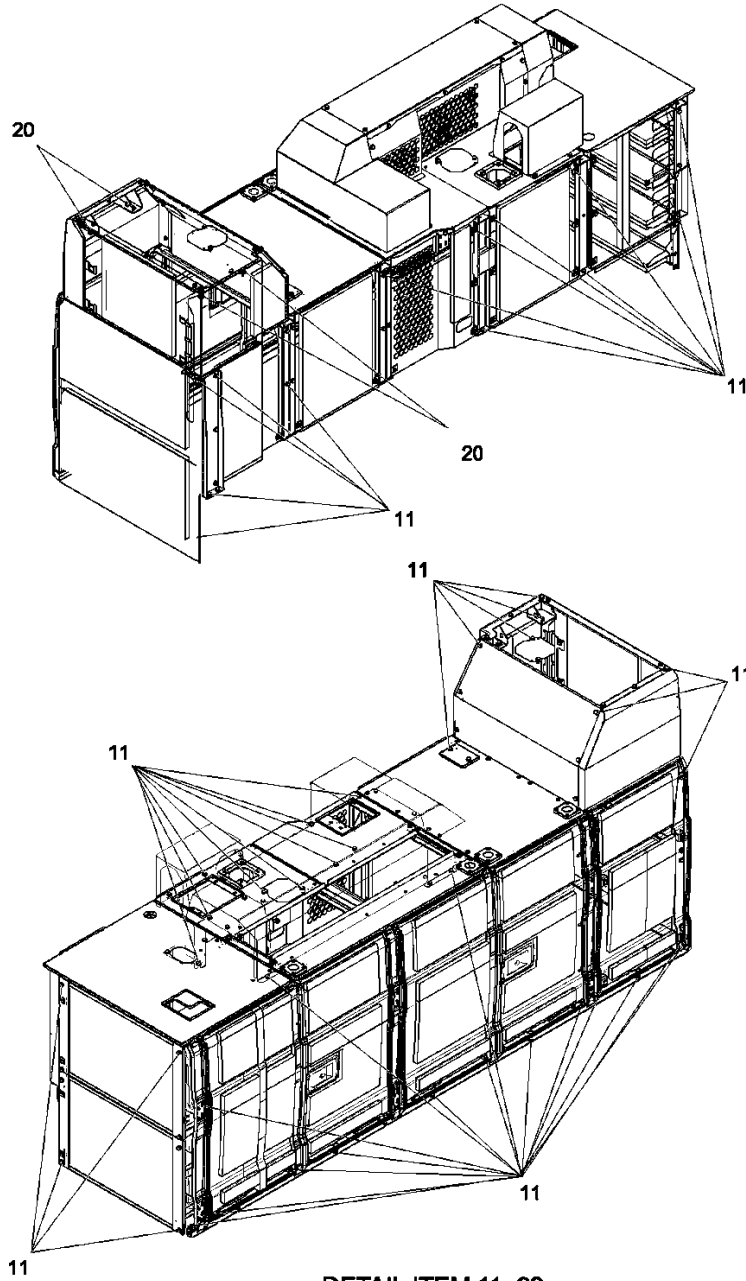
DETAIL ITEM 6

DETAIL ITEM 13



DETAIL ITEM 18

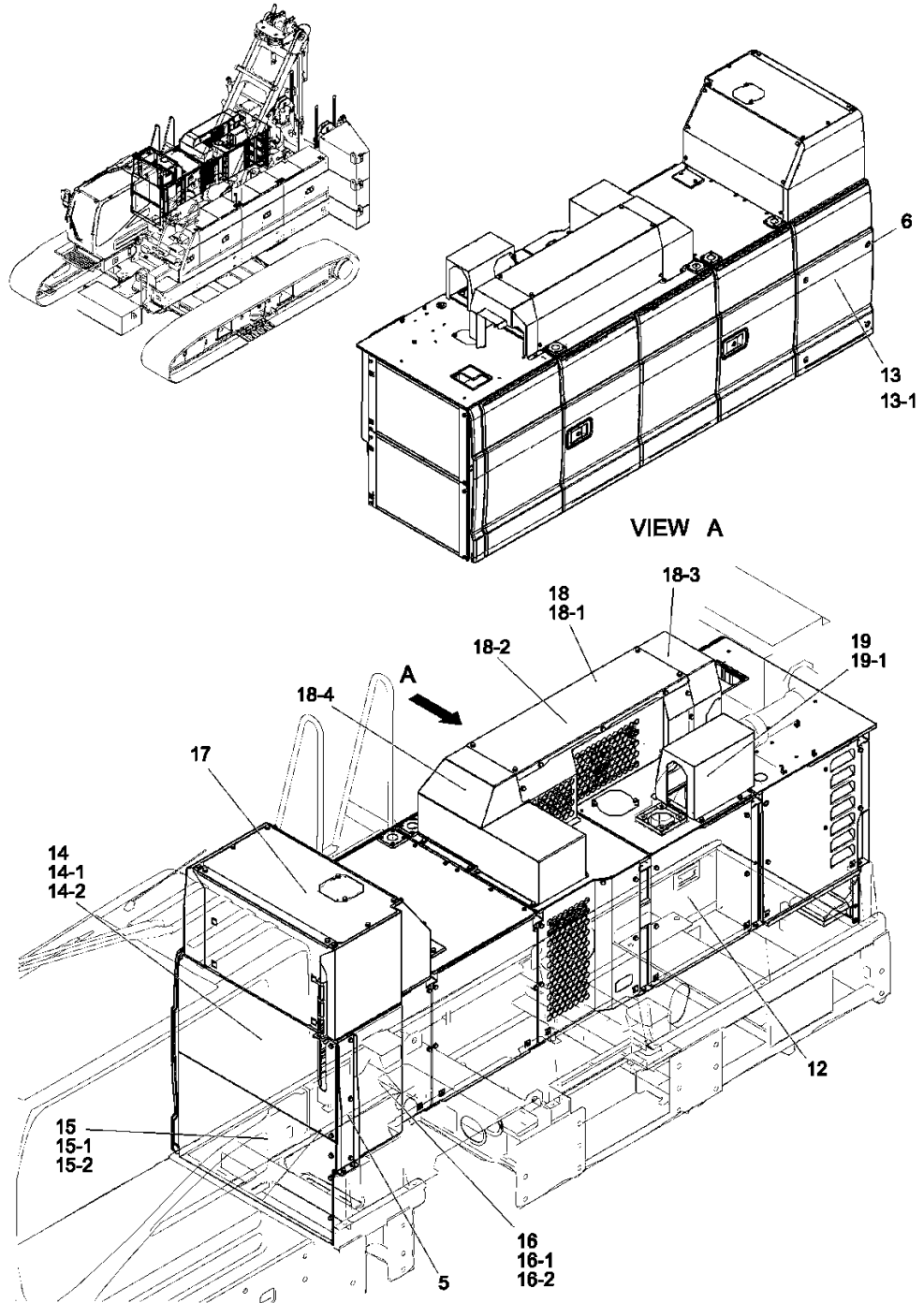
DETAIL ITEM 19



DETAIL ITEM 11, 20

Manitowoc

GUARD INSTAL
R.H



Manitowoc

Description
GUARD INSTAL R.H

Assembly No.
9999430894
 Revision:

Item	FN	Part	Qty	Description
5		9999431468	1	PILLAR
6		9999431469	1	PILLAR
6-1		9999431475	1	PILLAR
6-2		9999432181	1	STRIP, WEATHER
11		9999432210	48	SEMS-BOLT
12	+	9999430895	1	GUARD ASSY, RH
13		9999431506	1	PANEL ASSY
13-1		9999431465	1	PANEL
13-2		9999431635	1	INSULATION
13-3		9999432085	1	INSULATION
13-4		9999432086	1	INSULATION
13-5		9999432088	1	INSULATION
13-6		9999432089	1	INSULATION
14		9999431504	1	PANEL ASSY
14-1		9999431466	1	PANEL
14-2		9999431643	1	INSULATION
15		9999431505	1	PANEL ASSY
15-1		9999431467	1	PANEL
15-2		9999431643	1	INSULATION
16		9999431507	1	PANEL ASSY
16-1		9999431514	1	PANEL
16-2		9999431642	1	INSULATION
17	+	9999430897	1	COVER ASSY HYD TANK
18		9999431496	1	COVER ASSY
18-1		9999431492	1	COVER
18-2		9999431494	1	COVER
18-3		9999431495	1	COVER
18-4		9999431493	1	COVER
18-5		9999431497	1	COVER
18-6		9999432210	17	SEMS-BOLT
18-7		9999432151	1	STRIP, WEATHER
19		9999431502	1	COVER ASSY
19-1		9999431503	1	COVER
19-2		9999431477	1	PLATE

+ SEE FURTHER BREAKDOWN THIS GROUP

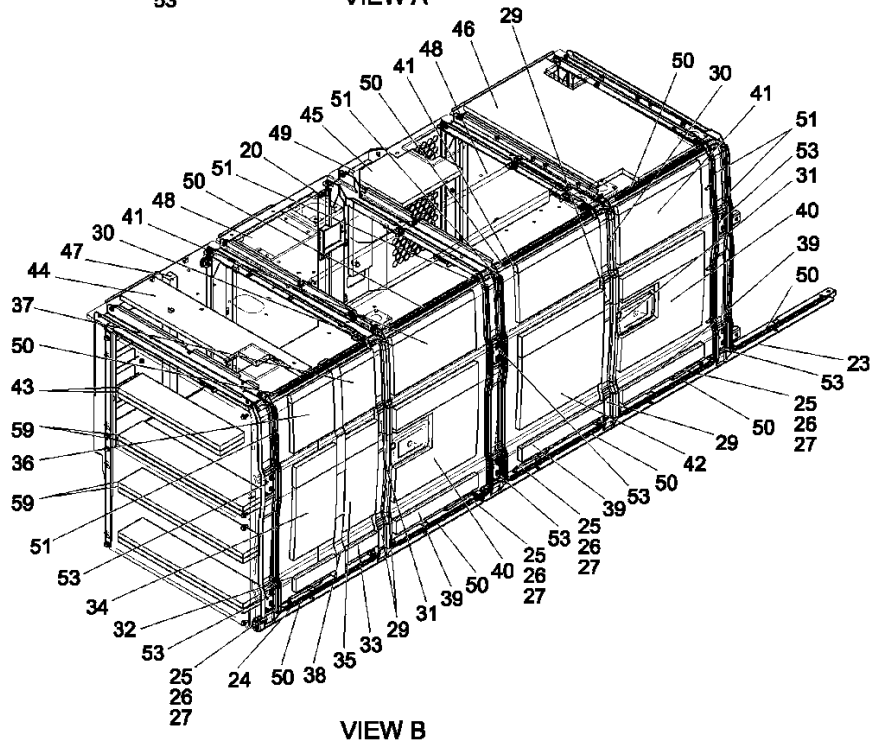
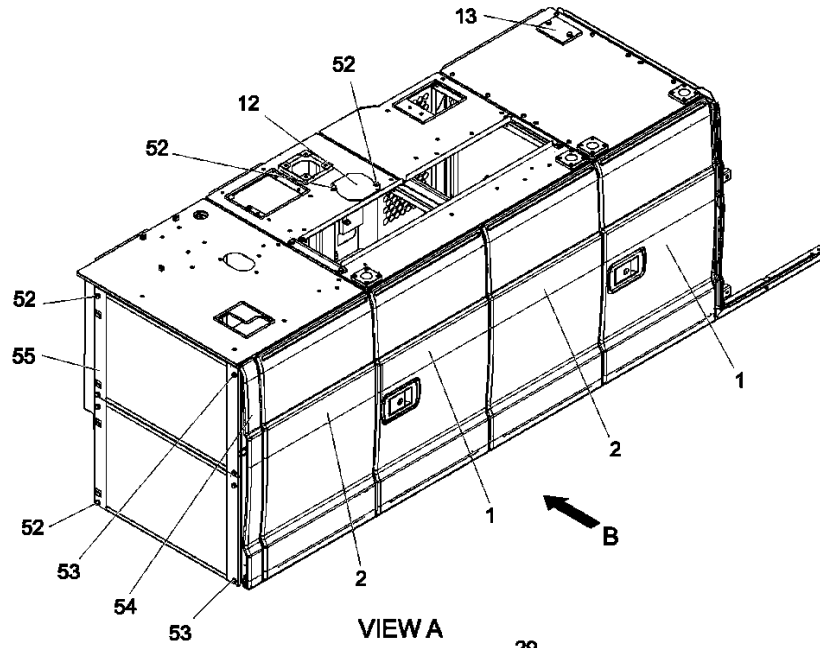
Manitowoc

Description
GUARD INSTAL R.H

Assembly No.
9999430894
Revision:

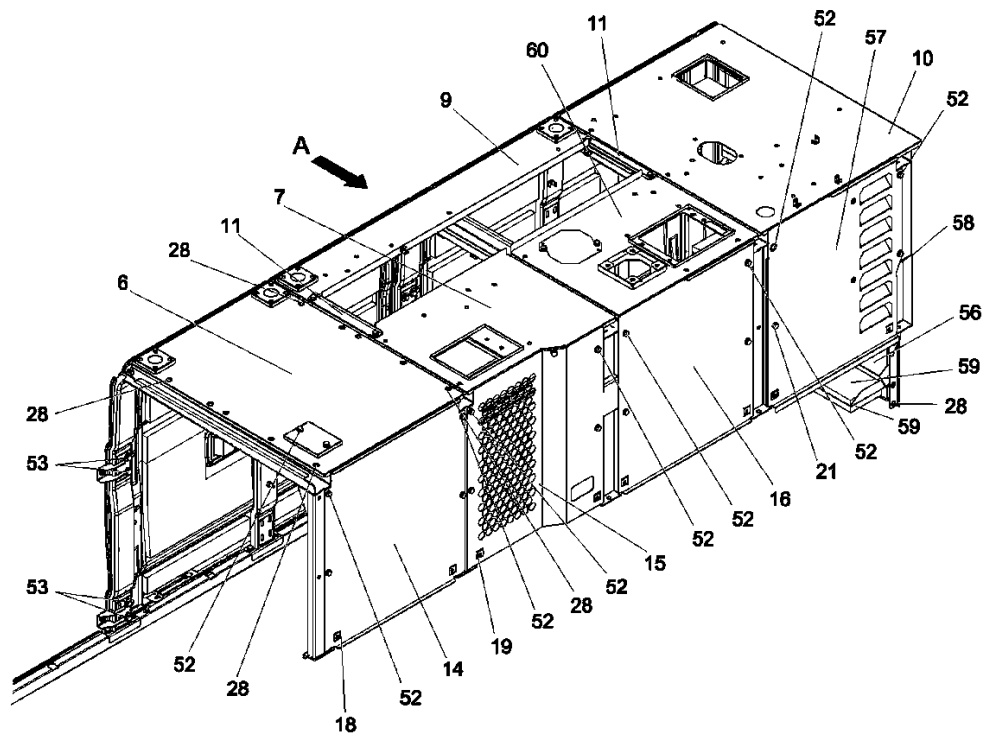
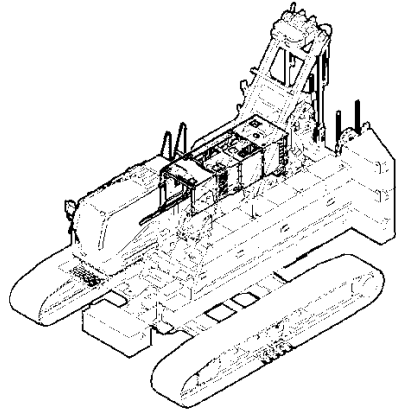
Item	FN	Part	Qty	Description
19-3		9999431094	2	BOLT, WING
19-4		9999420402	2	WASHER,
20		9999424526	4	SEMS-BOLT

Manitowoc



Manitowoc

GUARD ASSY, R/H
R.H



Manitowoc

Description
GUARD ASSY, RH

Assembly No.
9999430895
 Revision:

Item	FN	Part	Qty	Description
1		9999431485	2	DOOR
2		9999431484	2	DOOR
6		9999431558	1	PANEL
7		9999431486	1	PANEL
9		9999431519	1	PANEL
10		9999431520	1	PANEL
11		9999431482	2	PLATE
12		9999431477	1	PLATE
13		9999431559	1	COVER
14		9999431513	1	PANEL
15		9999431508	1	PANEL
16		9999431499	1	PANEL
18		9999431532	1	PILLAR
19		9999431488	1	PILLAR
20		9999431537	1	PILLAR
21		9999431500	1	PILLAR
23		9999431480	1	BRKT
24		9999431478	1	BRKT
25		9999431481	4	STAY
26		9999424598	4	PIN, SPLIT
27		9999420402	4	WASHER,
28		9999432100	17	CAP
29		9999431473	4	RUBBER
30		9999431535	2	INSULATION
31		9999431534	2	RUBBER
32		9999432086	1	INSULATION
33		9999432089	1	INSULATION
34		9999432085	1	INSULATION
35		9999432088	1	INSULATION
36		9999432084	1	INSULATION
37		9999432087	1	INSULATION
38		9999432090	1	INSULATION
39		9999431637	3	INSULATION
40		9999431636	2	INSULATION

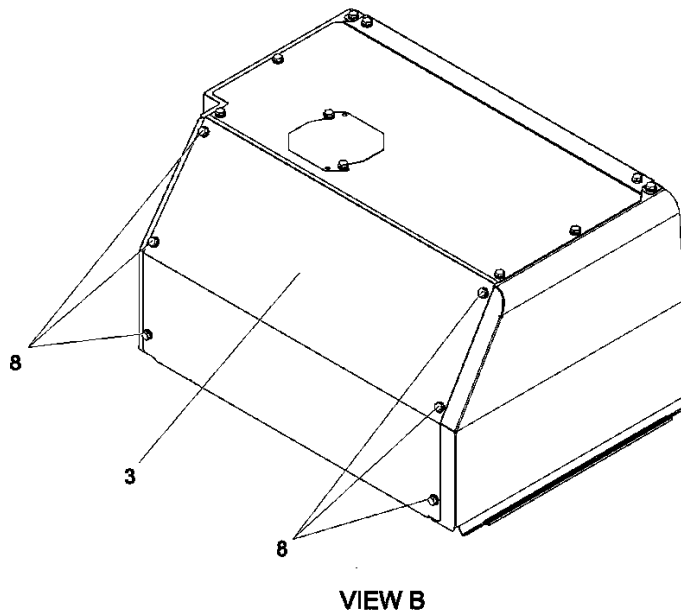
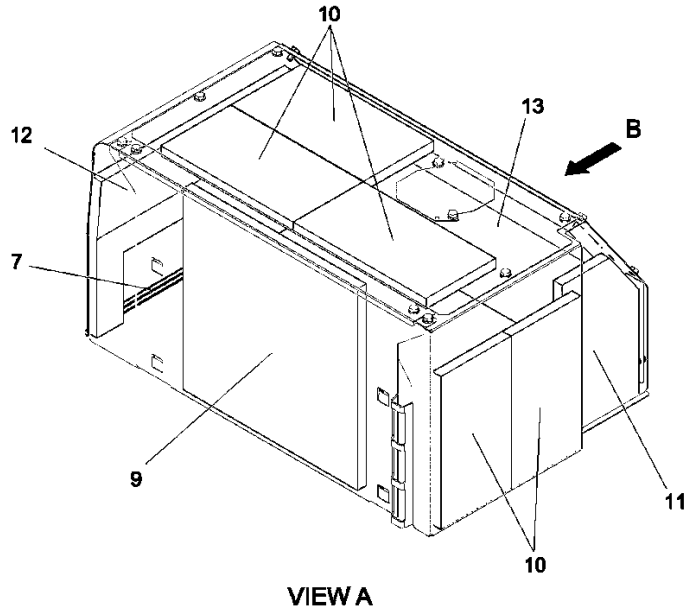
Manitowoc

Description
GUARD ASSY, RH

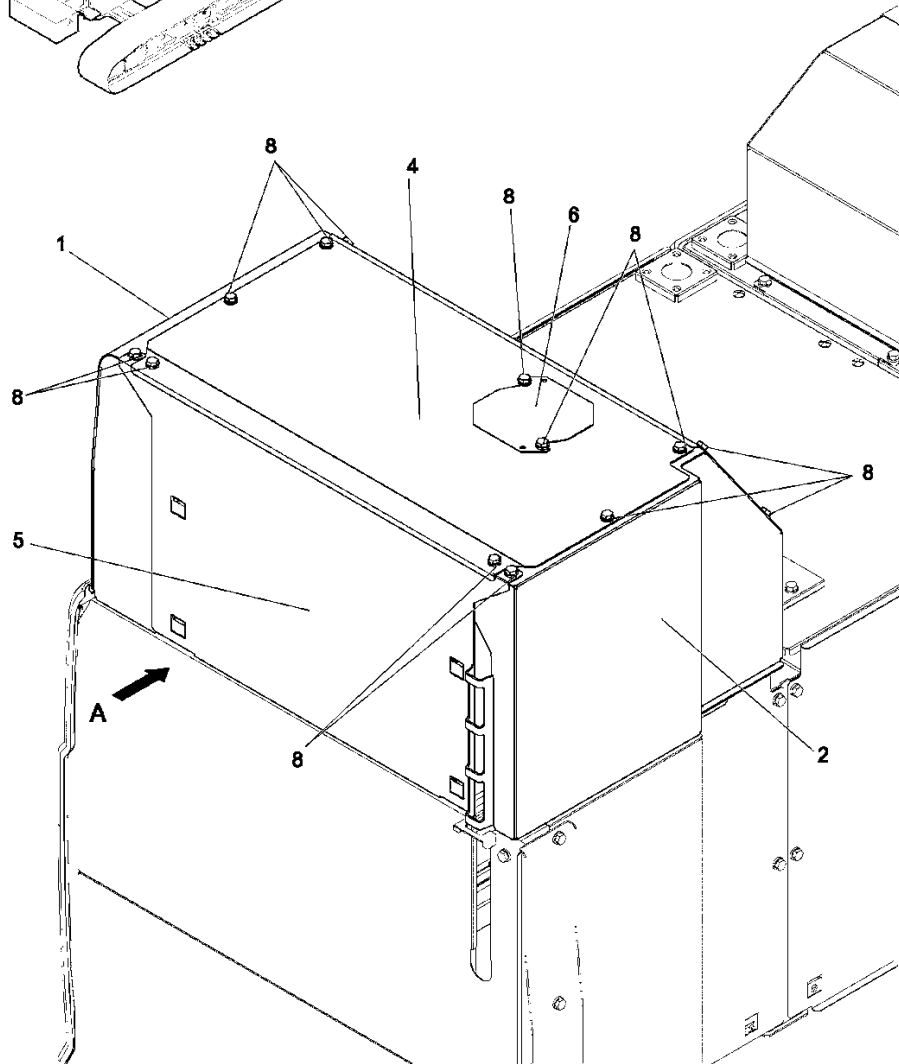
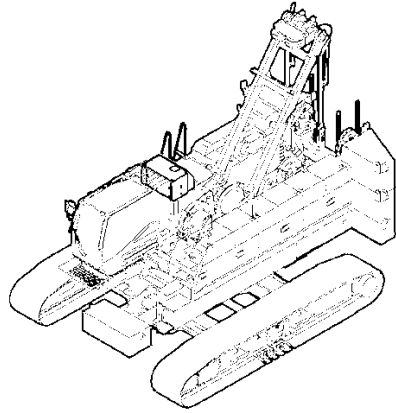
Assembly No.
9999430895
 Revision:

Item	FN	Part	Qty	Description
41		9999431635	3	INSULATION
42		9999431638	1	INSULATION
43		9999431501	2	INSULATION
44		9999431536	1	INSULATION
45		9999431644	1	INSULATION
46		9999432091	1	INSULATION
47		9999432075	1	INSULATION
48		9999431639	2	INSULATION
49		9999431647	1	INSULATION
50		9999432180	9	STRIP, WEATHER
51		9999432181	5	STRIP, WEATHER
52		9999432210	64	SEMS-BOLT
53		9999424526	20	SEMS-BOLT
54		9999431542	1	COVER
55		9999431539	1	GUARD
56		9999431540	1	GUARD
57		9999431544	1	PANEL
58		9999431545	1	PILLAR
59		9999431541	6	INSULATION
60		9999431546	1	PANEL

Manitowoc



COVER ASSY HYD TANK



Manitowoc

Description

COVER ASSY HYD TANK

Assembly No.

9999430897

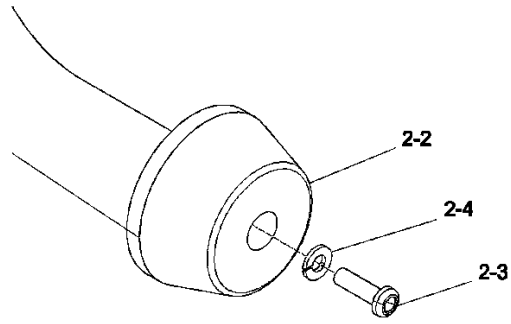
Revision:

Item	FN	Part	Qty	Description
1		9999431509	1	COVER
2		9999431510	1	COVER
3		9999431548	1	PANEL
4		9999431547	1	PANEL
5		9999431489	1	PANEL
6		9999431477	1	PLATE
7		9999432180	1	STRIP, WEATHER
8		9999432210	16	SEMS-BOLT
9		9999431638	1	INSULATION
10		9999431645	5	INSULATION
11		9999431646	1	INSULATION
12		9999431549	1	INSULATION
13		9999431551	1	INSULATION

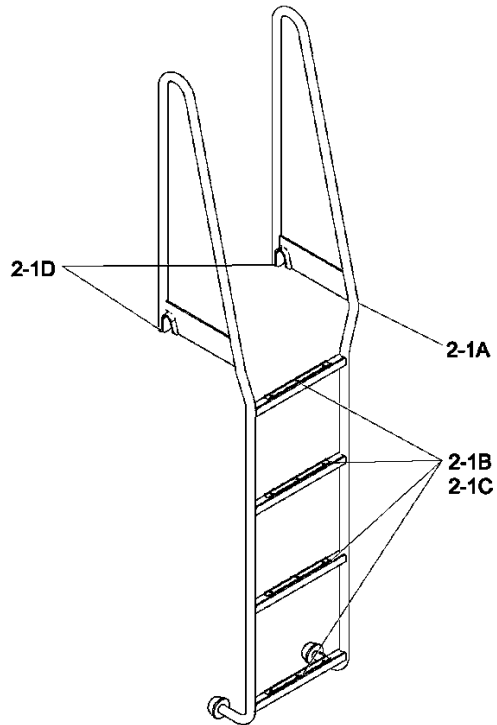
Manitowoc

Notes

Manitowoc



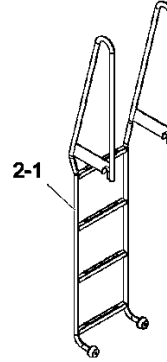
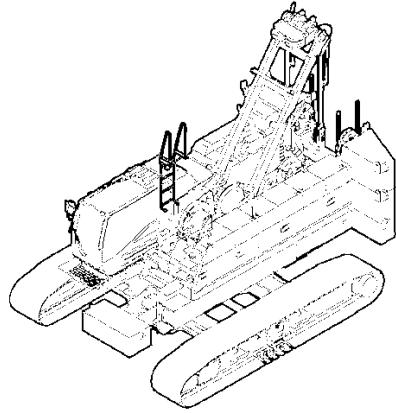
DETAIL A



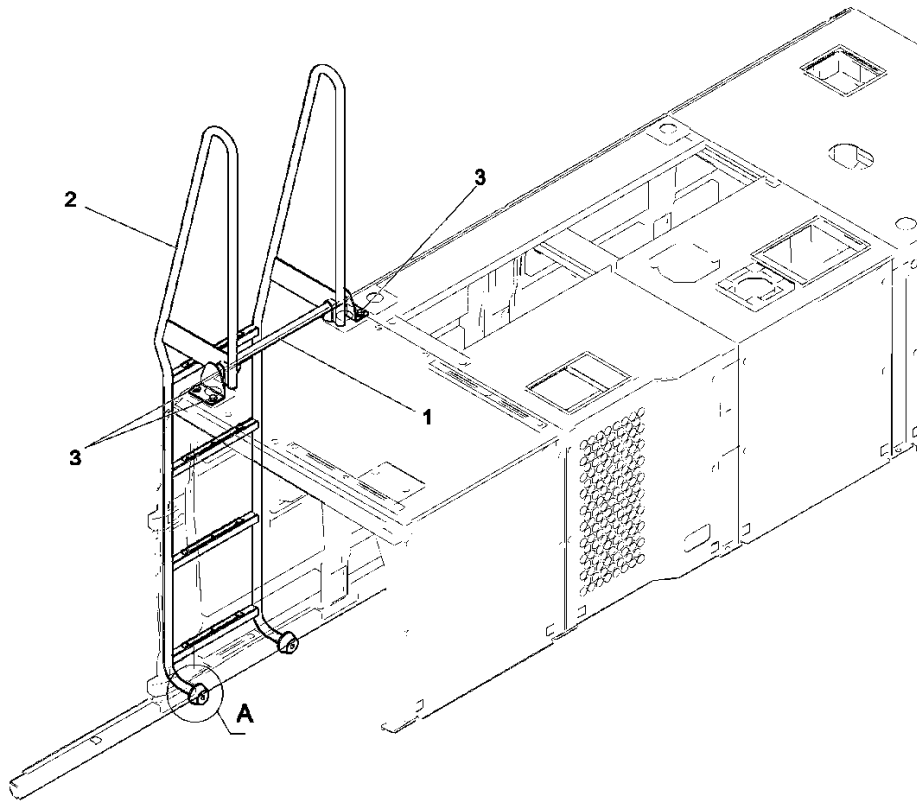
DETAIL ITEM 2-1

Manitowoc

HANDRAIL ASSY
R.H. GUARD LADDER INSTAL / STD.



DETAIL ITEM 2



Manitowoc

Description

HANDRAIL ASSY RH GUARD LADDER INSTAL / STD

Assembly No.

9999430955

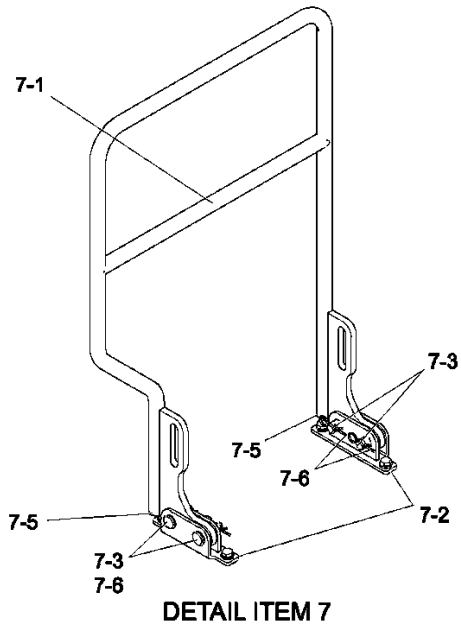
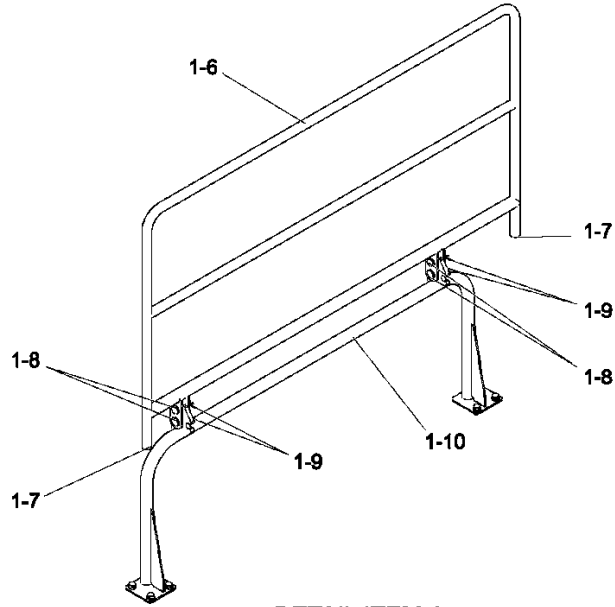
Revision:

Item	FN	Part	Qty	Description
1		9999431782	1	HANDRAIL
2		9999431783	1	LADDER ASSY
2-1		9999431780	1	LADDER ASSY
2-1A		9999431781	1	LADDER
2-1B		9999432152	4	PLATE
2-1C		9999432153	12	RIVET
2-1D		9999431784	2	PLUG
2-2		9999407159	2	STOPPER
2-3		9999420260	2	MACHINE SCREW
2-4		9999424875	2	LOCK WASHER
3		9999432210	4	SEMS-BOLT

Manitowoc

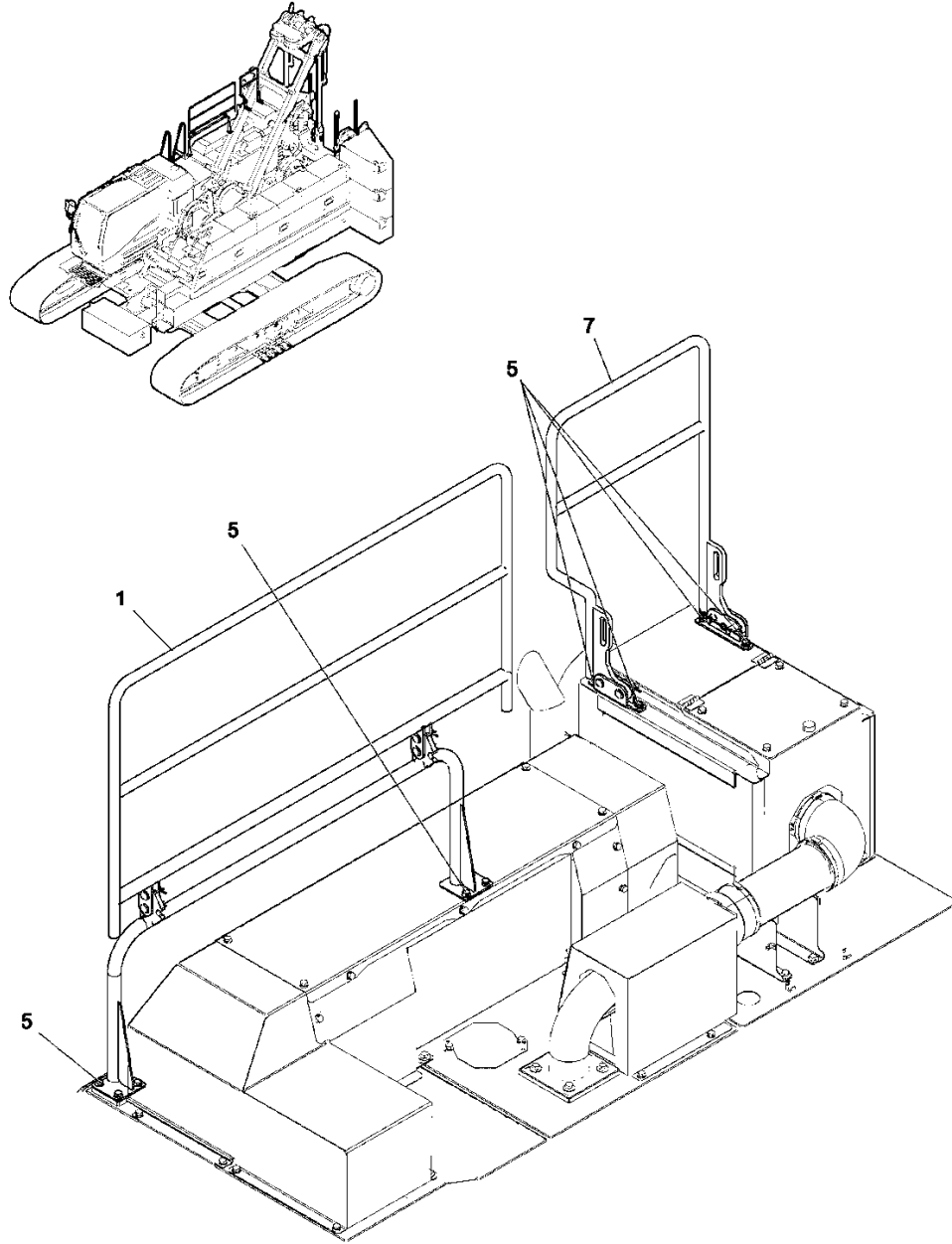
Notes

Manitowoc



Manitowoc

HANDRAIL ASSY
R.H. GUARD UPPER / OPT.



Manitowoc

Description

HANDRAIL ASSY RH GUARD UPPER

Assembly No.

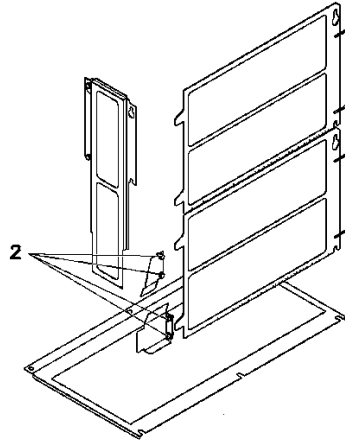
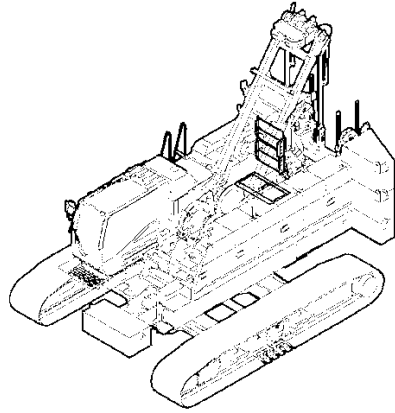
9999430953

Revision:

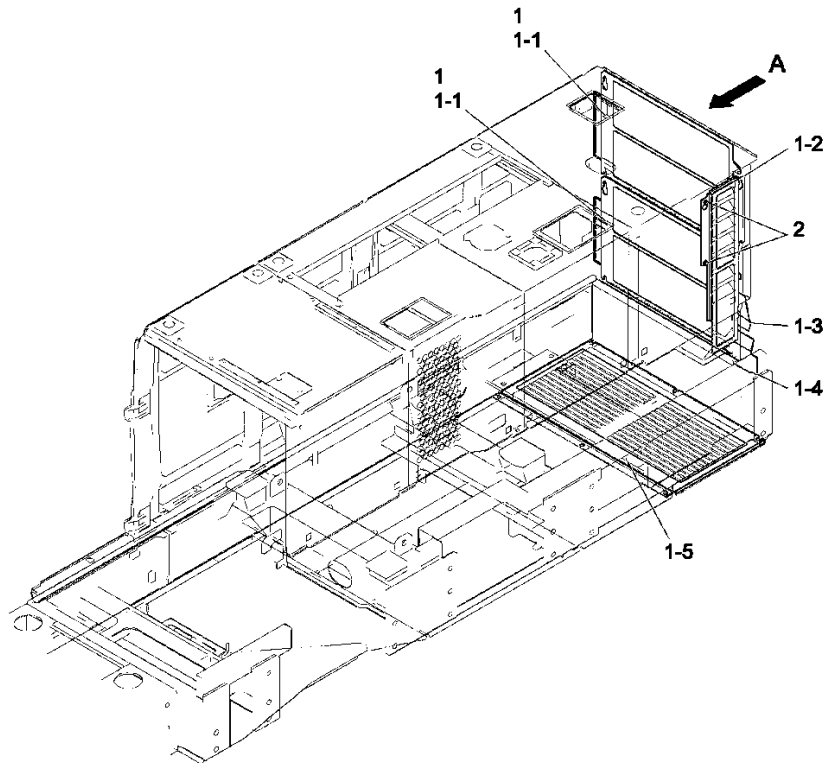
Item	FN	Part	Qty	Description
1		9999431769	1	HANDRAIL ASSY
1-6		9999431771	1	HANDRAIL
1-7		9999431784	2	PLUG
1-8		9999424079	4	PIN
1-9		9999431786	4	PIN
1-10		9999431777	1	HANDRAIL
5		9999432210	10	SEMS-BOLT
7		9999431775	1	HANDRAIL ASSY
7-1		9999431776	1	HANDRAIL
7-2		9999431785	2	BRKT
7-3		9999424079	4	PIN
7-5		9999431784	2	PLUG
7-6		9999431786	4	PIN

Manitowoc

PANEL ASSY DUST-PROOFING NET



VIEW A



Manitowoc

Description

PANEL ASSY DUST-PROOFING NET

Assembly No.

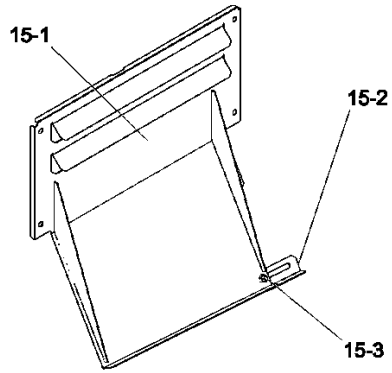
9999430898

Revision:

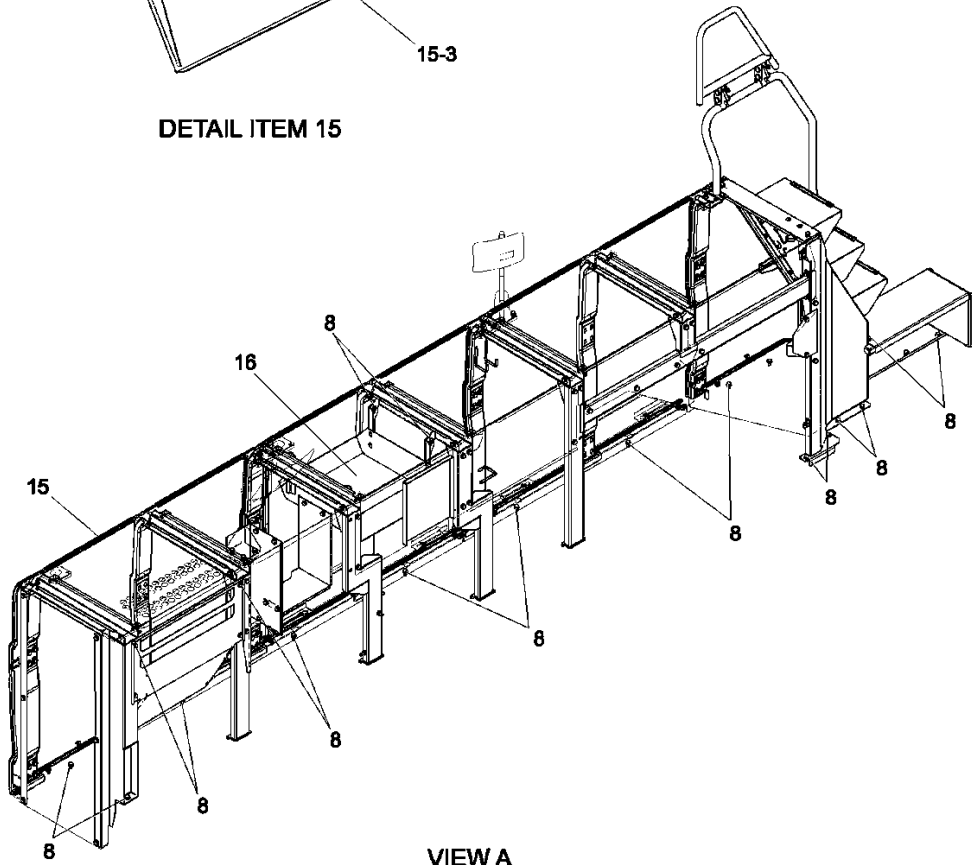
Item	FN	Part	Qty	Description
1		9999431552	1	PANEL ASSY
1-1		9999431553	2	PANEL
1-2		9999431554	1	PANEL
1-3		9999431555	1	PLATE
1-4		9999431556	1	PLATE
1-5		9999431557	1	PANEL
2		9999432210	6	SEMS-BOLT

Manitowoc

Notes



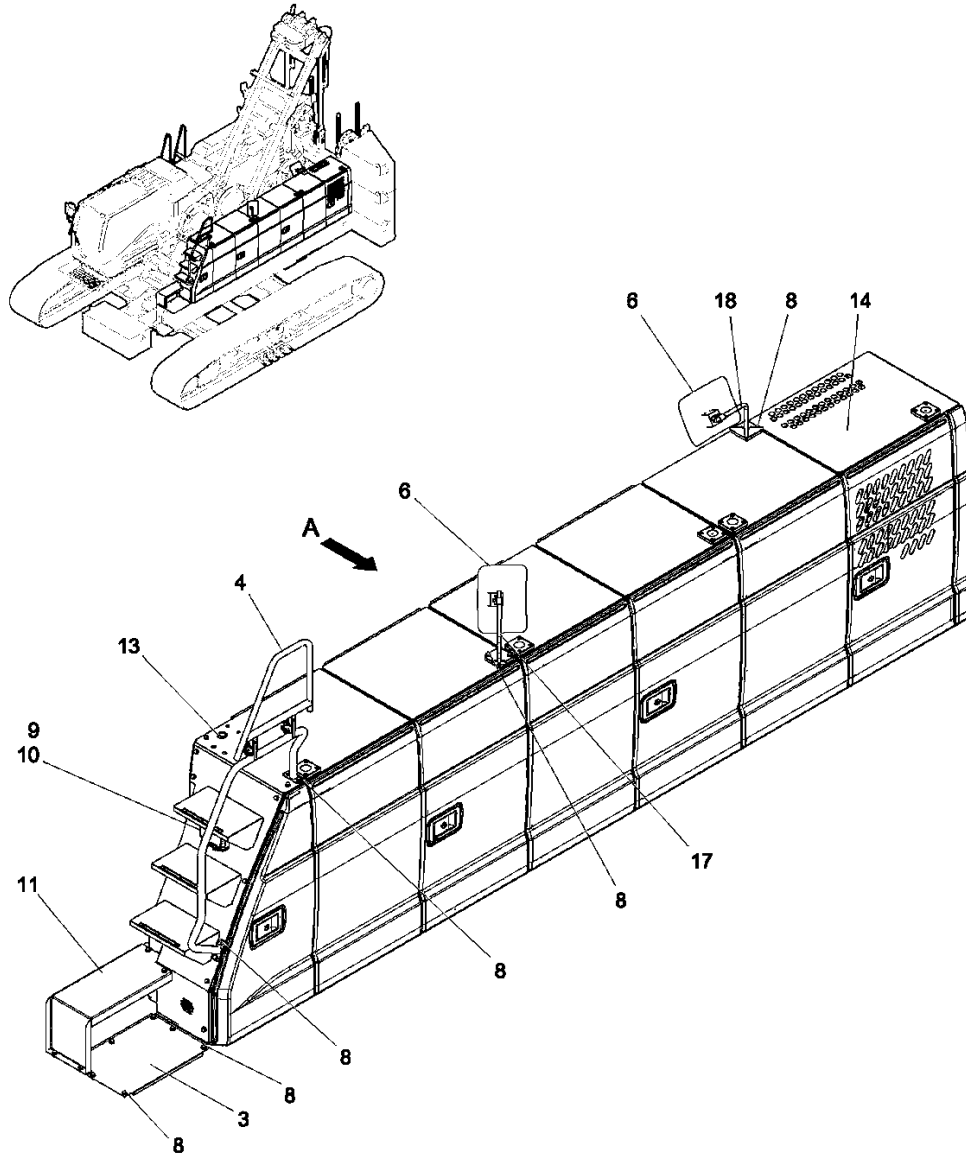
DETAIL ITEM 15



VIEW A

Manitowoc

GUARD INSTAL
L.H.



Manitowoc

Description
GUARD INSTAL LH

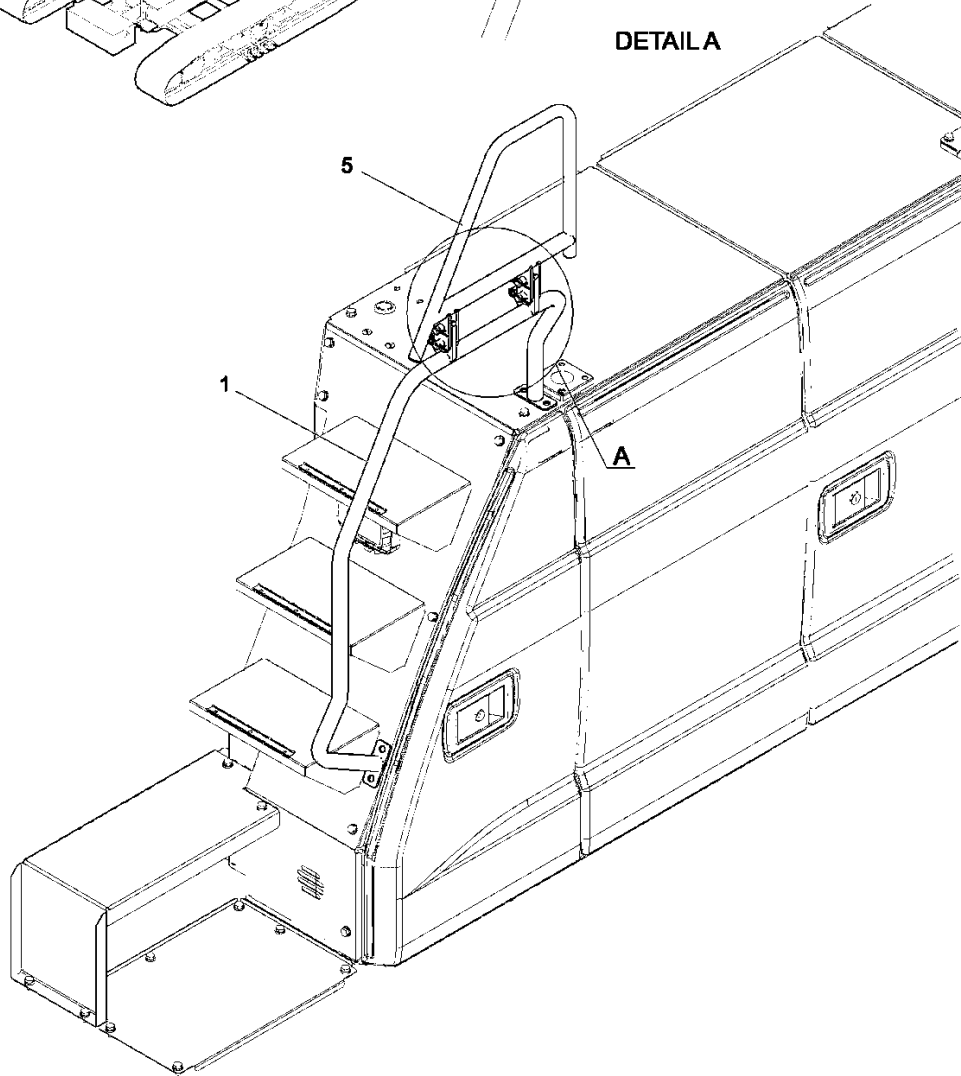
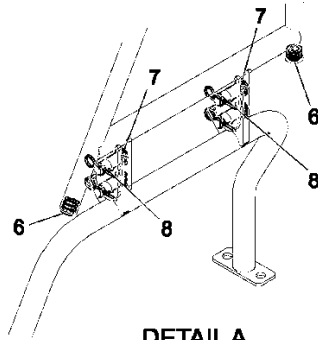
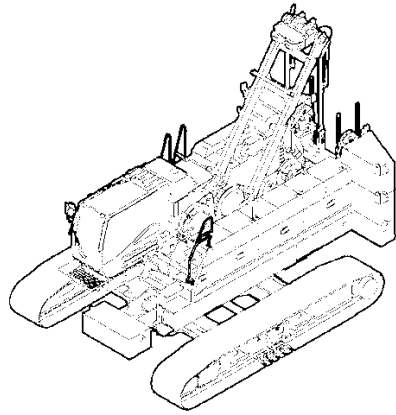
Assembly No.
9999430893
 Revision:

Item	FN	Part	Qty	Description
3		9999431464	1	PLATE
4	+	9999430951	1	HANDRAIL ASSY LH GUARD FRT
6	+	9999407300	2	MIRROR
8		9999432210	46	SEMS-BOLT
9	+	9999426449	1	LIGHT
10		9999422274	1	GROMMET
11		9999431487	1	GUARD
13		9999422271	1	GROMMET
14	+	9999430896	1	GUARD ASSY, LH
15		9999431527	1	PANEL ASSY
15-1		9999431525	1	PANEL
15-2		9999431526	1	PLATE
15-3		9999432210	1	SEMS-BOLT
16		9999431192	1	BOX
17		9999431864	1	STAY
18		9999431865	1	STAY

+ SEE FURTHER BREAKDOWN THIS GROUP

Manitowoc

HANDRAIL ASSY L.H. GUARD FRONT



Manitowoc

Description

HANDRAIL ASSY LH GUARD FRT

Assembly No.

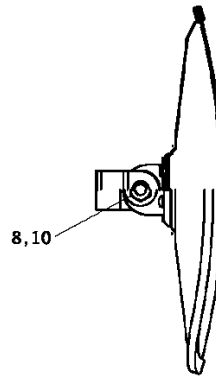
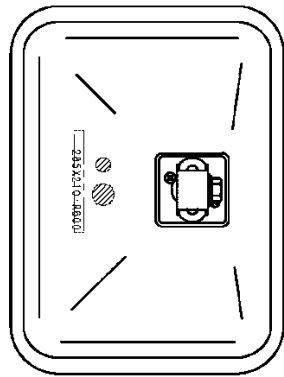
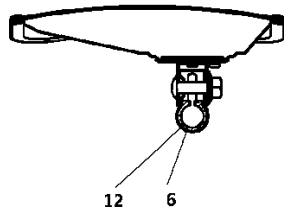
9999430951

Revision:

Item	FN	Part	Qty	Description
1		9999431767	1	HANDRAIL
5		9999431770	1	HANDRAIL
6		9999431784	2	PLUG
7		9999424079	4	PIN
8		9999431786	4	PIN

Manitowoc

MIRROR



Manitowoc

Description

MIRROR

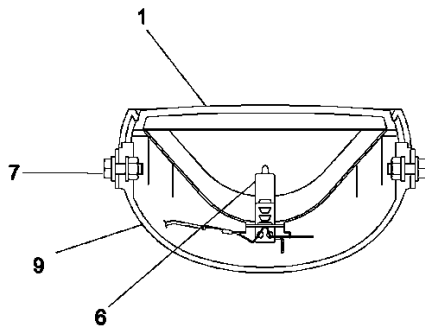
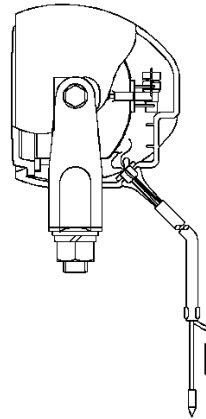
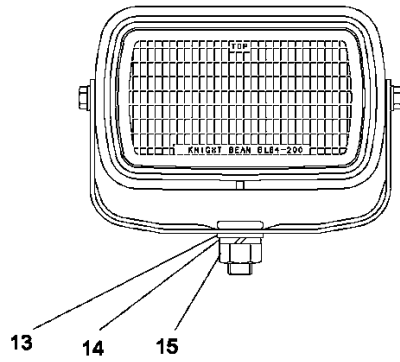
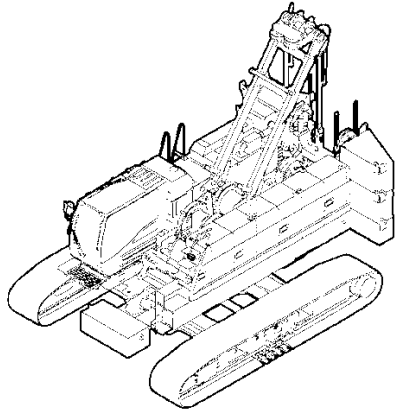
Assembly No.

9999407300

Revision:

Item	FN	Part	Qty	Description
6		9999425410	1	BRACKET
8		9999425411	1	BOLT
10		9999425412	1	NUT
12		9999425413	1	COLLAR

LIGHT



Manitowoc

Description

LIGHT

Assembly No.

9999426449

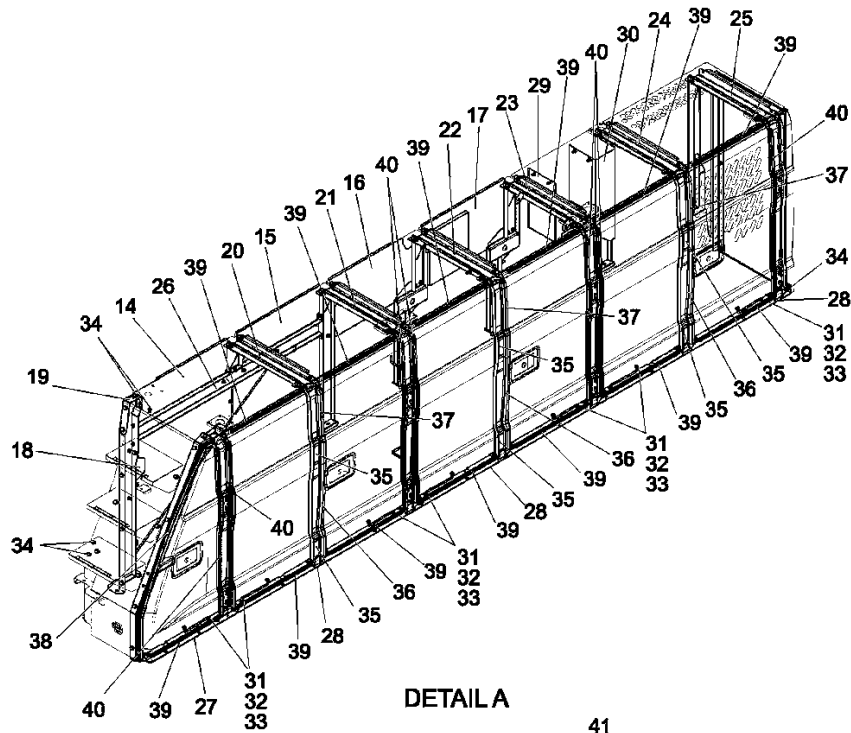
Revision:

Item	FN	Part	Qty	Description
1		9999430152	1	LENS
6		9999425250	1	VALVE
7		9999430153	2	BOLT
9		9999430154	4	MACHINE SCR
13		9999430004	1	WSHR
14		9999430005	1	LOCK WSHR
15		9999430006	1	NUT

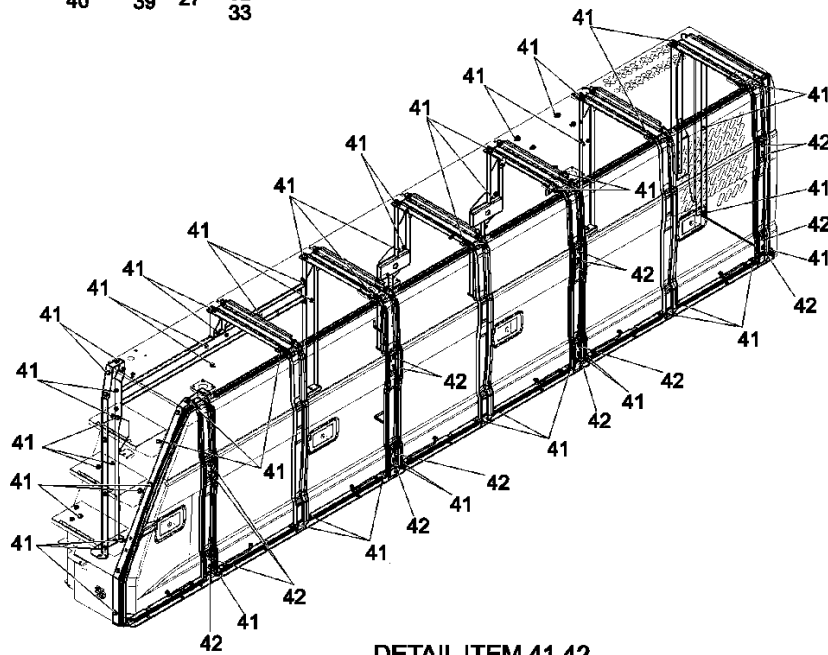
Manitowoc

Notes

Manitowoc



DETAIL A



DETAIL ITEM 41,42

Manitowoc

Description
GUARD ASSY, LH

Assembly No.
9999430896
 Revision:

Item	FN	Part	Qty	Description
1		9999431483	1	DOOR
2		9999431484	3	DOOR
3		9999431485	2	DOOR
4		9999431498	1	DOOR
6		9999431533	1	COVER
8		9999431471	1	PANEL
9		9999431521	1	PANEL
10		9999431517	2	PANEL
11		9999431518	1	PANEL
13		9999431516	1	PANEL
14		9999431512	1	PANEL
15		9999431490	1	PANEL
16		9999431470	1	PANEL
17		9999431515	1	PANEL
18		9999431491	1	PLATE
19		9999431511	1	PILLAR
20		9999431472	1	PILLAR
21		9999431530	1	PILLAR
22		9999431529	1	PILLAR
23		9999431528	1	PILLAR
24		9999431523	1	PILLAR
25		9999431522	1	PILLAR
26		9999431476	1	BEAM
27		9999431474	1	PILLAR
28		9999431479	3	BRKT
29		9999431531	1	PANEL
30		9999431524	1	PANEL
31		9999431481	7	STAY
32		9999420402	7	WASHER,
33		9999424598	7	PIN, SPLIT
34		9999432100	5	CAP
35		9999431473	6	RUBBER
36		9999431534	3	RUBBER
37		9999431535	3	INSULATION

Manitowoc

Description
GUARD ASSY, LH

Assembly No.
9999430896
Revision:

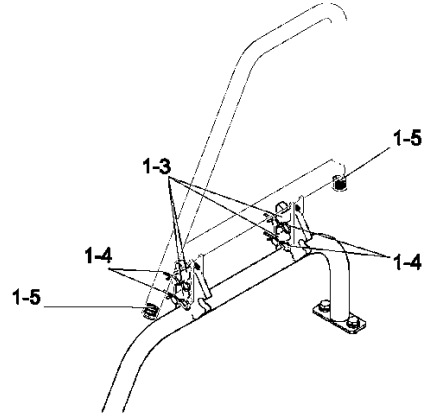
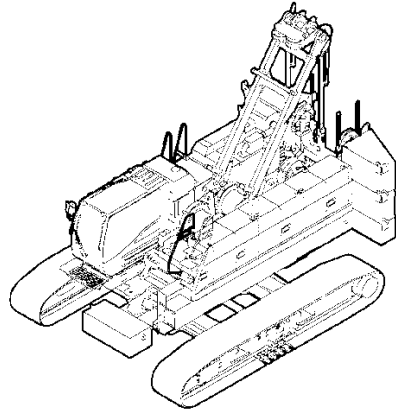
Item	FN	Part	Qty	Description
38		9999432134	1	STRIP, WEATHER
39		9999432180	13	STRIP, WEATHER
40		9999432181	7	STRIP, WEATHER
41		9999432210	94	SEMS-BOLT
42		9999424526	32	SEMS-BOLT
43		9999431543	1	COVER
44		9999431538	3	PLATE ASSY
45		9999431550	1	PANEL

Manitowoc

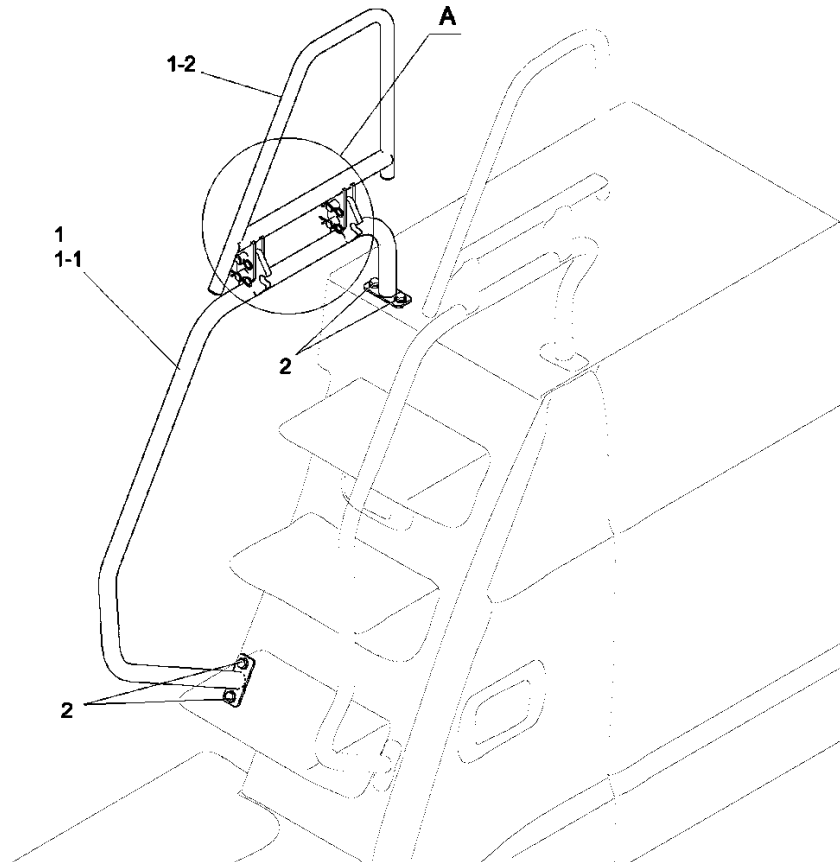
Notes

Manitowoc

HANDRAIL INSTAL.
L.H. GUARD FRONT STEP / STD.



DETAIL A



Manitowoc

Description

HANDRAIL INSTAL LH GUARD FRT STEP / STD

Assembly No.

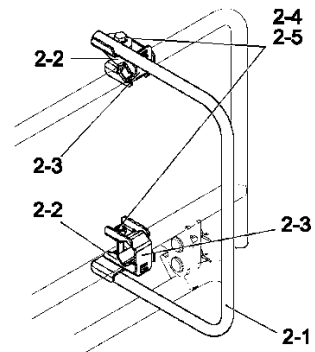
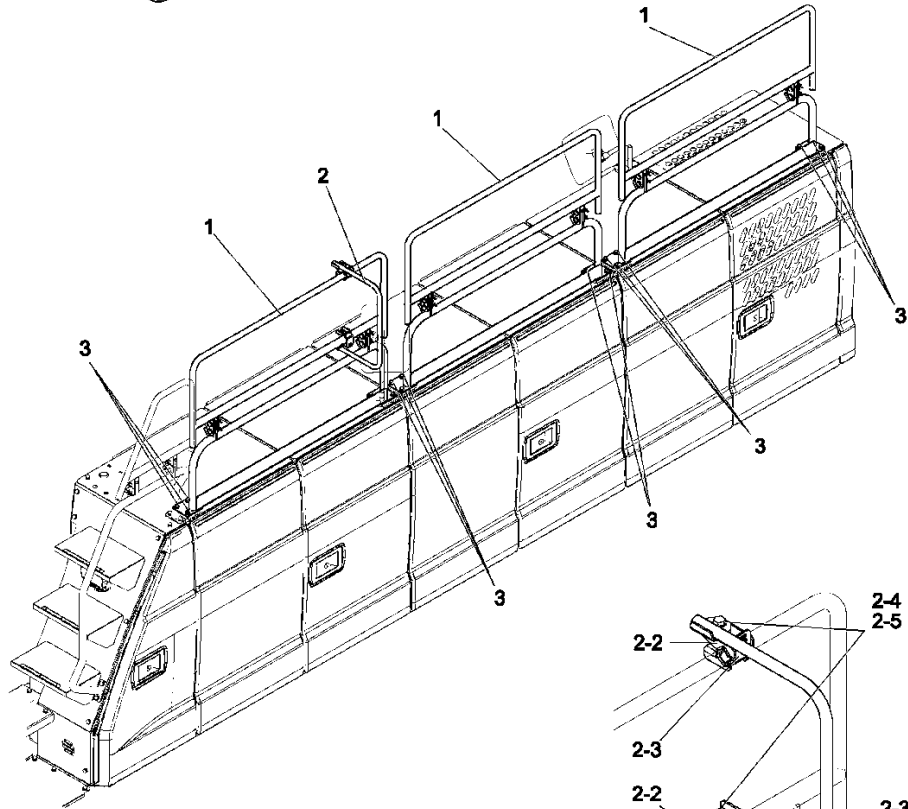
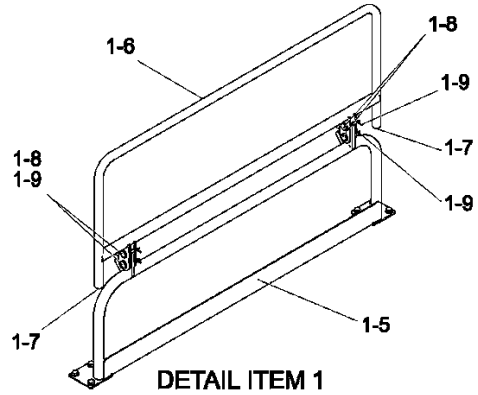
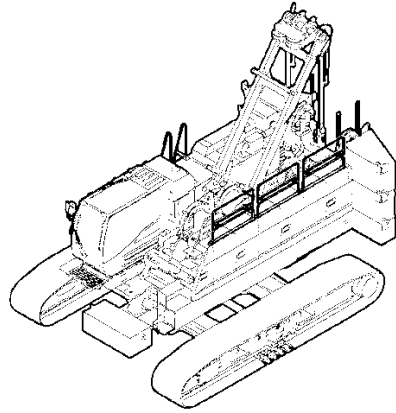
9999430954

Revision:

Item	FN	Part	Qty	Description
1		9999431778	1	HANDRAIL ASSY
1-1		9999431779	1	HANDRAIL
1-2		9999431770	1	HANDRAIL
1-3		9999424079	4	PIN
1-4		9999431786	4	PIN
1-5		9999431784	2	PLUG
2		9999432210	4	SEMS-BOLT

Manitowoc

HANDRAIL ASSY
L.H. GUARD UPPER / OPT.



Manitowoc

Description

HANDRAIL ASSY LH GUARD UPPER

Assembly No.

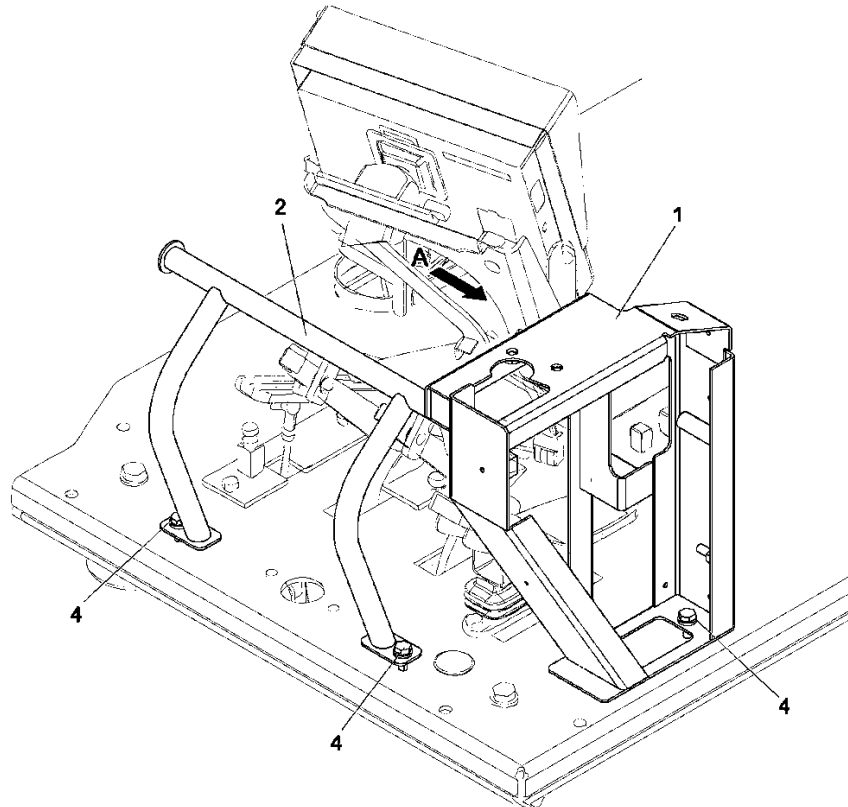
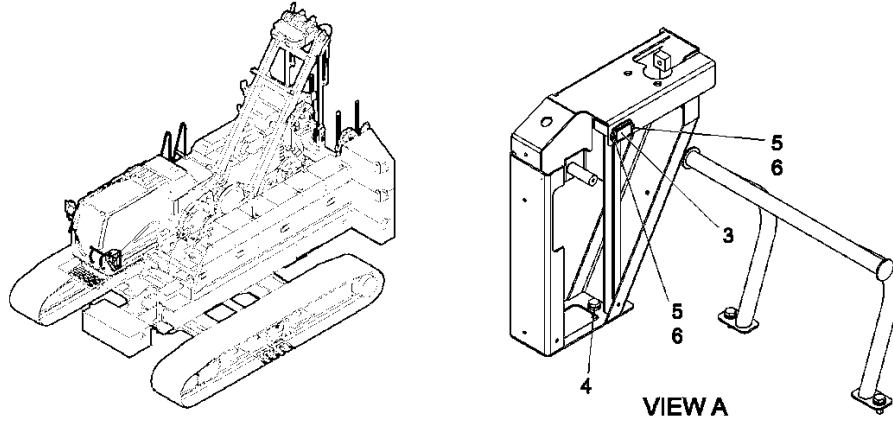
9999430952

Revision:

Item	FN	Part	Qty	Description
1		9999431768	3	HANDRAIL ASSY
1-5		9999431772	1	HANDRAIL
1-6		9999431773	1	HANDRAIL
1-7		9999431784	2	PLUG
1-8		9999424079	4	PIN
1-9		9999431786	4	PIN
2		9999431860	1	STAY ASSY
2-1		9999431863	1	STAY
2-2		9999431861	2	BRKT
2-3		9999431862	2	BRKT
2-4		9999424699	2	CAPSCREW
2-5		9999420402	4	WASHER,
3		9999432210	15	SEMS-BOLT

Manitowoc

STAND, CONTROL
HOUR METER



Manitowoc

Description

STAND, CNTRL HOUR METER

Assembly No.

9999430864

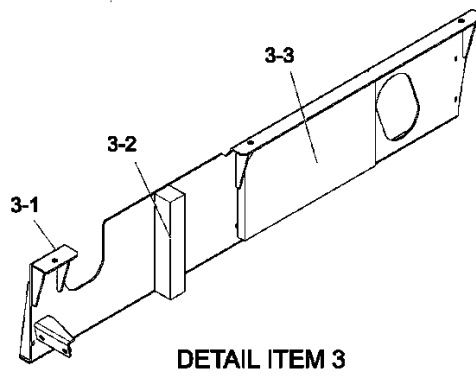
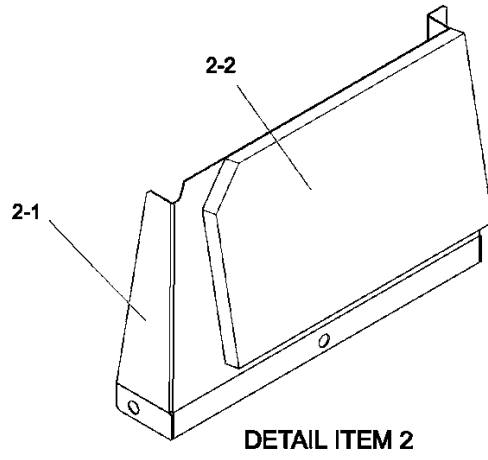
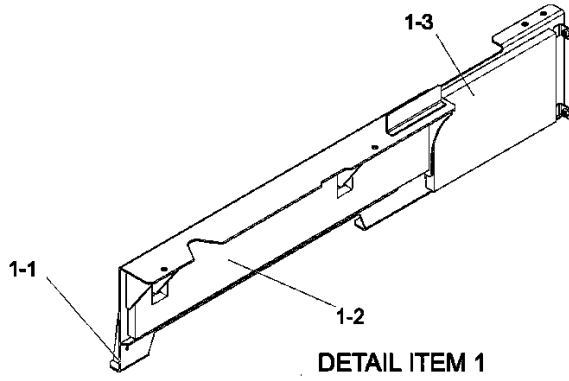
Revision:

Item	FN	Part	Qty	Description
1		9999431341	1	BRKT
2		9999431321	1	SUPPORT
3		9999407419	1	METER, HOUR
4		9999432211	4	SEMS-BOLT
5		9999422318	2	MACHINE SCREW
6		9999422212	2	LOCK WASHER

Manitowoc

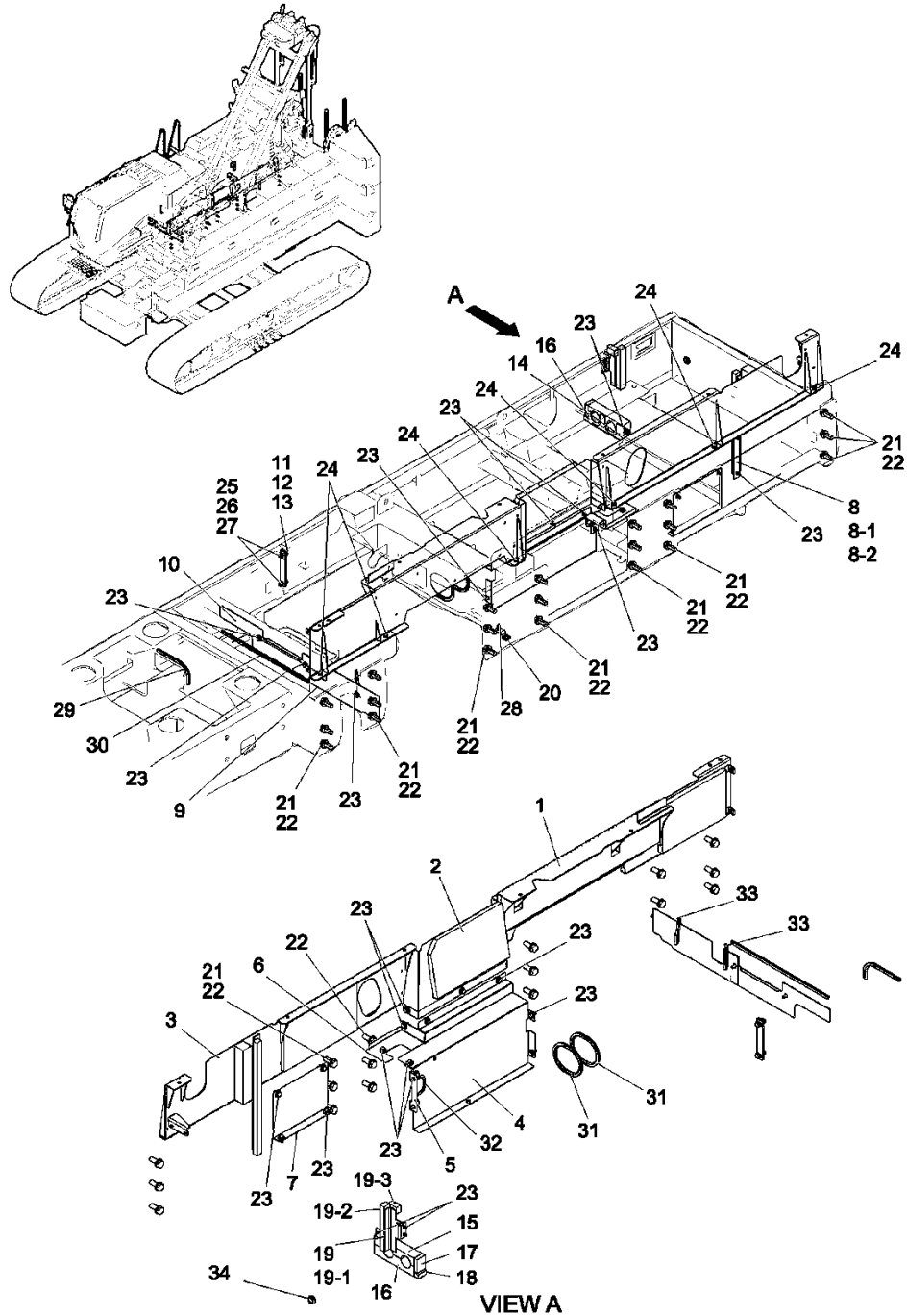
Notes

Manitowoc



Manitowoc

DECK INSTAL
R. H. DECK



Manitowoc

Description
DECK INSTAL RH

Assembly No.
9999430985
Revision:

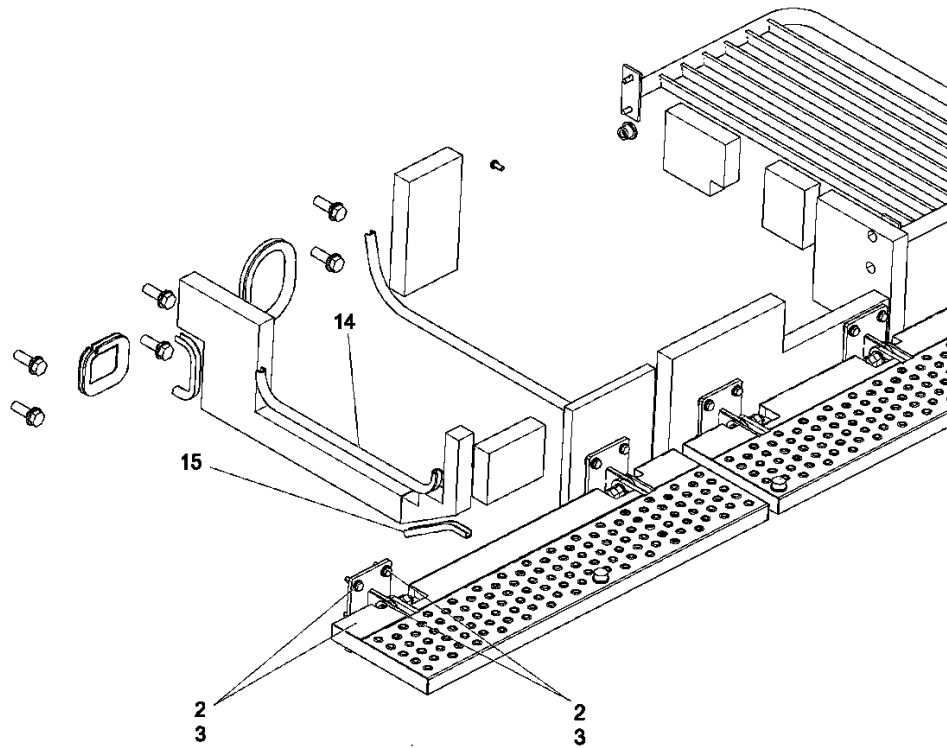
Item	FN	Part	Qty	Description
1		9999431921	1	BRKT ASSY
1-1		9999431922	1	BRKT
1-2		9999431923	1	INSULATION
1-3		9999431641	1	INSULATION
2		9999432096	1	COVER ASSY
2-1		9999431920	1	COVER
2-2		9999431640	1	INSULATION
3		9999431889	1	BRKT ASSY
3-1		9999431890	1	BRKT
3-2		9999431891	1	INSULATION
3-3		9999431640	1	INSULATION
4		9999431919	1	COVER
5		9999431913	1	BRKT
6		9999431899	1	COVER
7		9999431905	1	COVER
8		9999431925	1	BRKT
8-1		9999431894	1	PLATE
8-2		9999431896	1	INSULATION
9		9999431906	1	COVER
10		9999431907	1	COVER
11		9999431902	1	SHIM
12		9999431903	1	SHIM
13		9999431904	1	SHIM
14		9999431908	1	COVER
15		9999431909	1	INSULATION
16		9999431910	1	INSULATION
17		9999431911	1	INSULATION
18		9999431912	1	INSULATION
19		9999431926	1	BRKT
19-1		9999431895	1	PLATE
19-2		9999431897	1	INSULATION
19-3		9999431898	1	INSULATION
20		9999431886	1	BRKT
21		9999427770	21	CAPSCREW

Manitowoc

Description
DECK INSTAL RH

Assembly No.
9999430985
Revision:

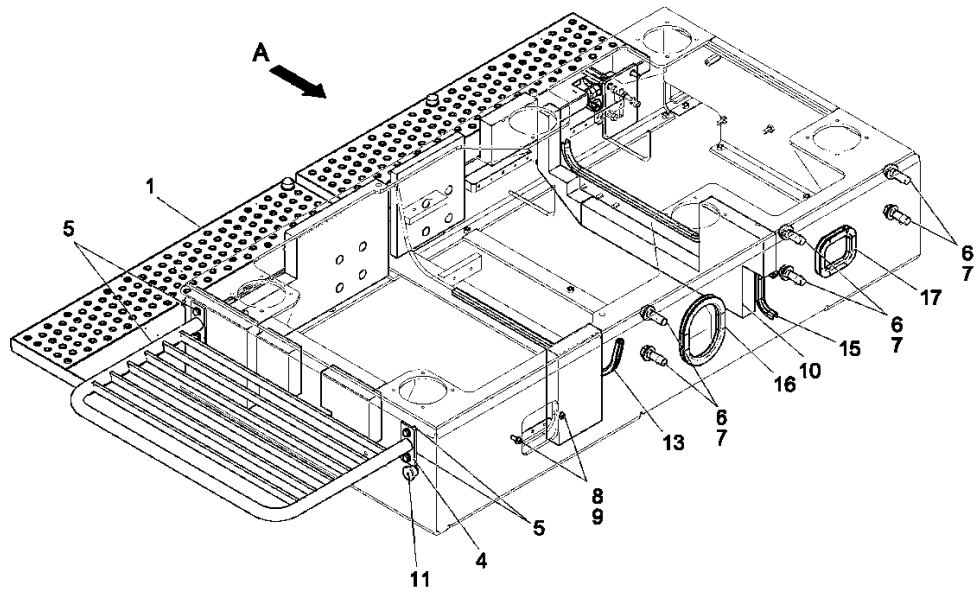
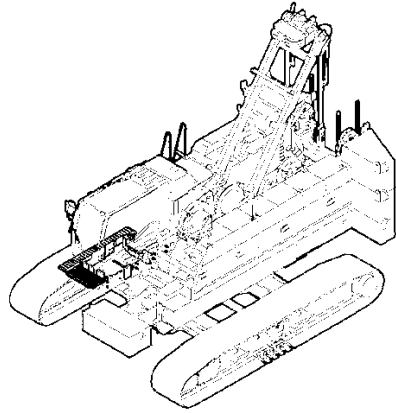
Item	FN	Part	Qty	Description
22		9999424840	21	WASHER,
23		9999424526	27	SEMS-BOLT
24		9999432211	6	SEMS-BOLT
25		9999421375	2	CAPSCREW
26		9999421348	2	NUT
27		9999424838	4	WASHER,
28		9999432194	1	SEMS-BOLT
29		9999431111	1	TRIM
30		9999431115	1	TRIM
31		9999431113	2	TRIM
32		9999431100	1	TRIM
33		9999431109	2	TRIM
34		9999432125	1	GROMMET



VIEW A

Manitowoc

DECK INSTAL DECK LOWER SIDE OF CAB



Manitowoc

Description

DECK INSTAL LOWER SIDE OF CAB

Assembly No.

9999430986

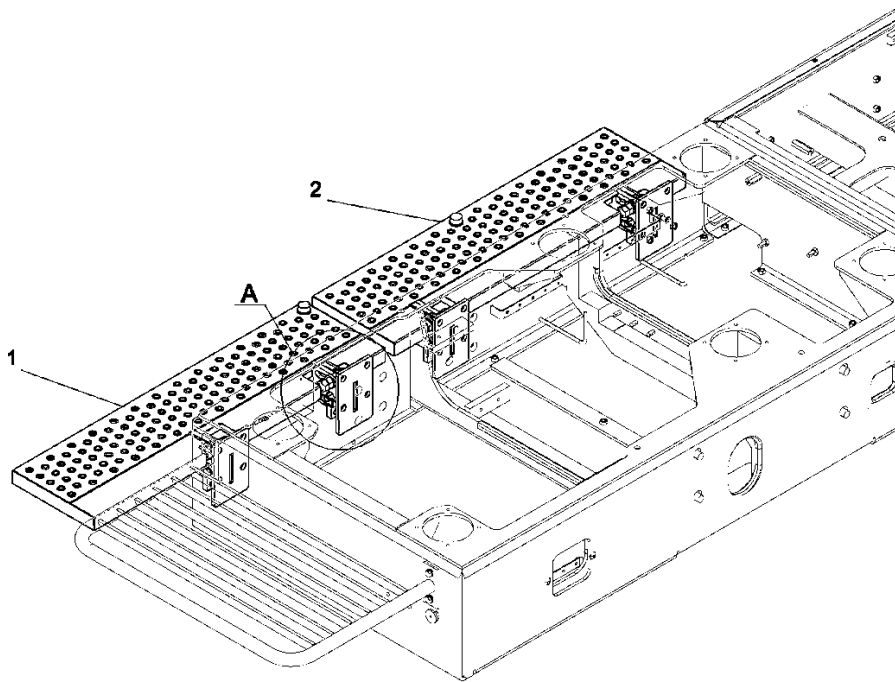
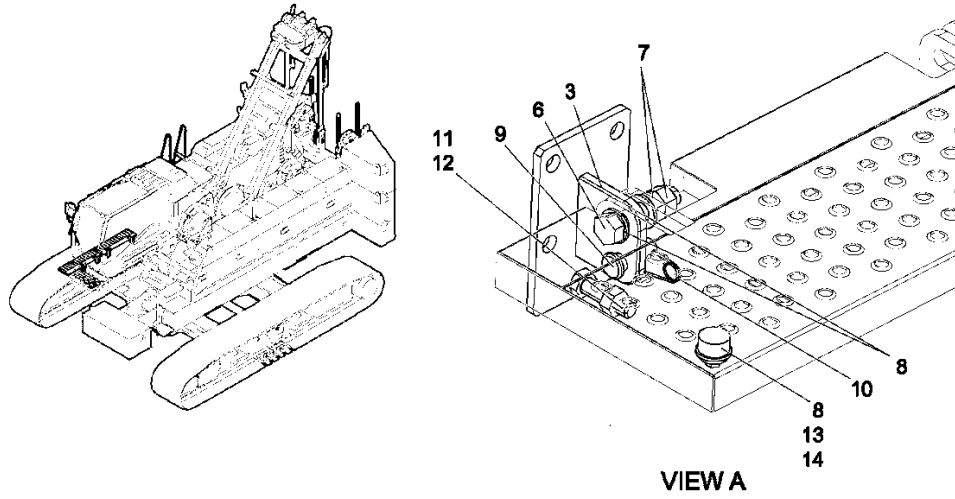
Revision:

Item	FN	Part	Qty	Description
1	+	9999430948	1	PLATFORM ASSY DECK LOWER SIDE OF CAB
2		9999424695	16	CAPSCREW
3		9999424837	16	WASHER,
4		9999431774	1	STEP
5		9999432212	4	SEMS-BOLT
6		9999424725	6	CAPSCREW
7		9999424840	6	WASHER,
8		9999423315	2	CAPSCREW
9		9999424877	2	LOCK WASHER
10	+	9999430918	1	INSULATION INSTAL DECK LOWER SIDE OF CAB
11		9999428313	1	GROMMET
13		9999431167	1	TRIM
14		9999431168	1	TRIM
15		9999431169	2	TRIM
16		9999432110	1	RUBBER
17		9999432111	1	RUBBER

+ SEE FURTHER BREAKDOWN THIS GROUP

Manitowoc

PLATFORM ASSY DECK LOWER SIDE OF CAB



Manitowoc

Description

PLATFORM ASSY DECK LOWER SIDE OF CAB

Assembly No.

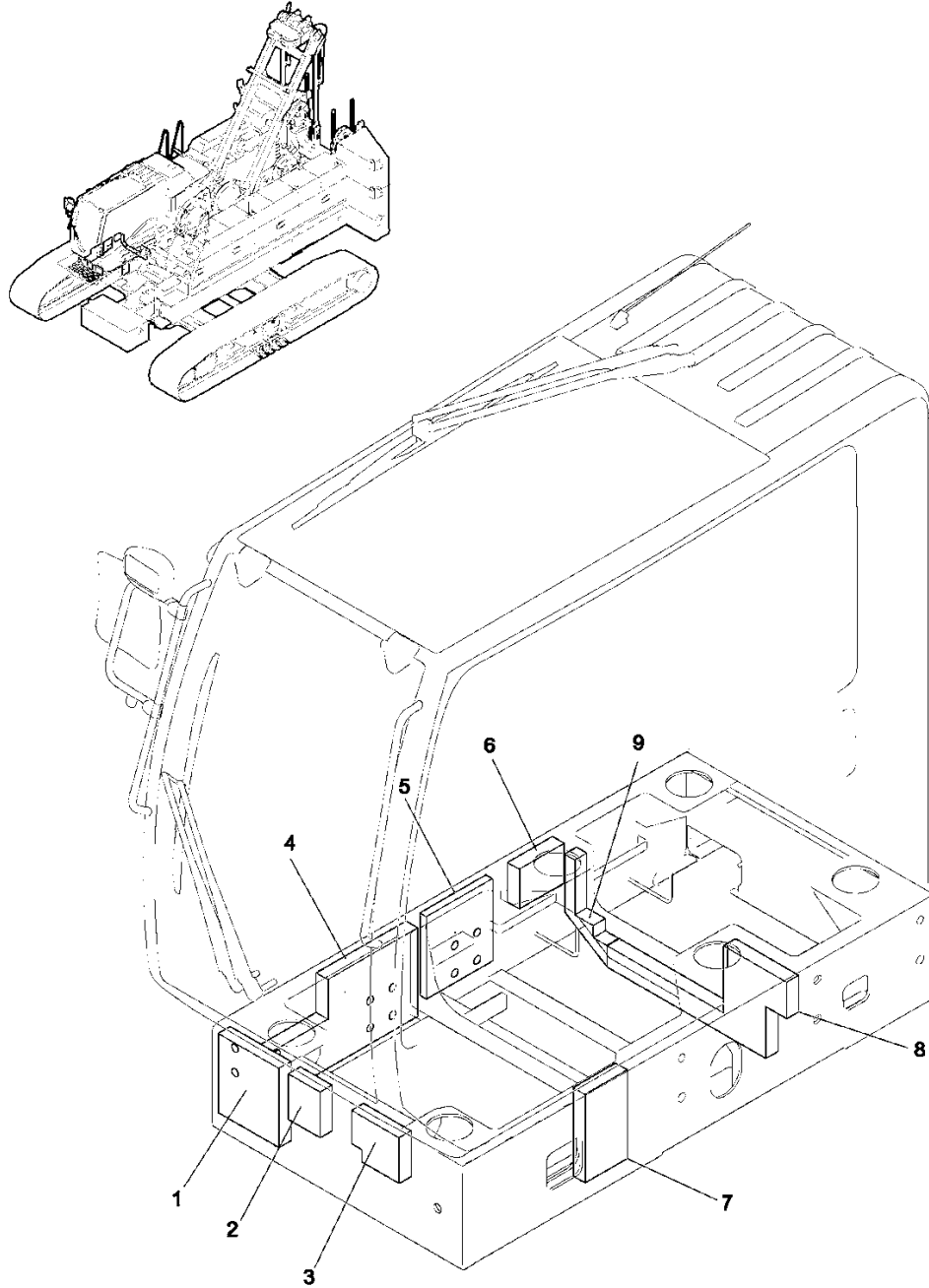
9999430948

Revision:

Item	FN	Part	Qty	Description
1		9999431761	1	PLATFORM
2		9999431758	1	PLATFORM
3		9999431787	4	BRKT
6		9999432232	4	CAPSCR
7		9999432217	8	NUT
8		9999424859	10	WASHER,
9		9999424079	2	PIN
10		9999422241	2	PIN
11		9999432063	4	CAPSCR
12		9999424569	4	NUT
13		9999431164	2	RUBBER
14		9999422198	2	WASHER,

Manitowoc

INSULATION INSTAL DECK LOWER SIDE OF CAB



FP, GG, GH, GD, GK

Manitowoc

Description

INSULATION INSTAL DECK LOWER SIDE OF CAB

Assembly No.

9999430918

Revision:

Item	FN	Part	Qty	Description
1		9999431666	1	INSULATION
2		9999431667	1	INSULATION
3		9999431668	1	INSULATION
4		9999431669	1	INSULATION
5		9999431670	1	INSULATION
6		9999431671	1	INSULATION
7		9999431672	1	INSULATION
8		9999431673	1	INSULATION
9		9999431674	1	INSULATION

Manitowoc

Description
DECK INSTAL LH

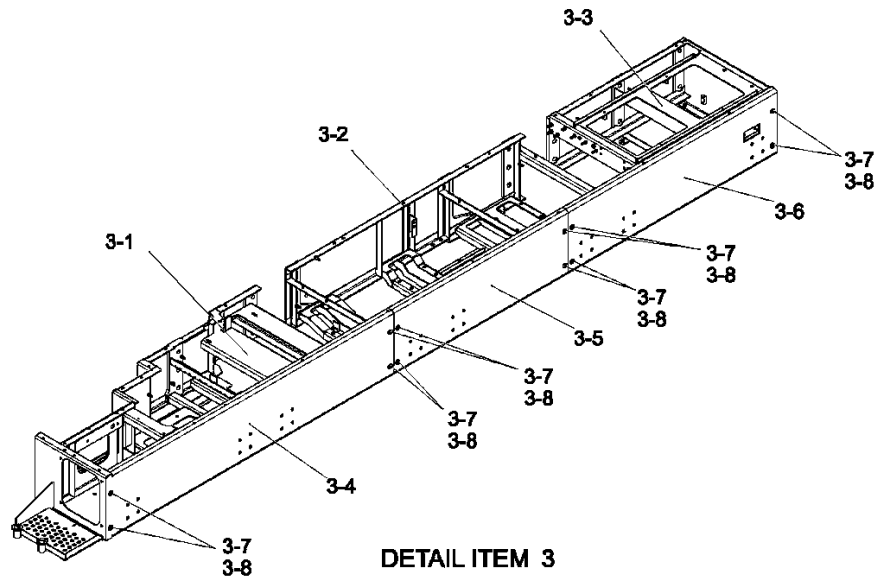
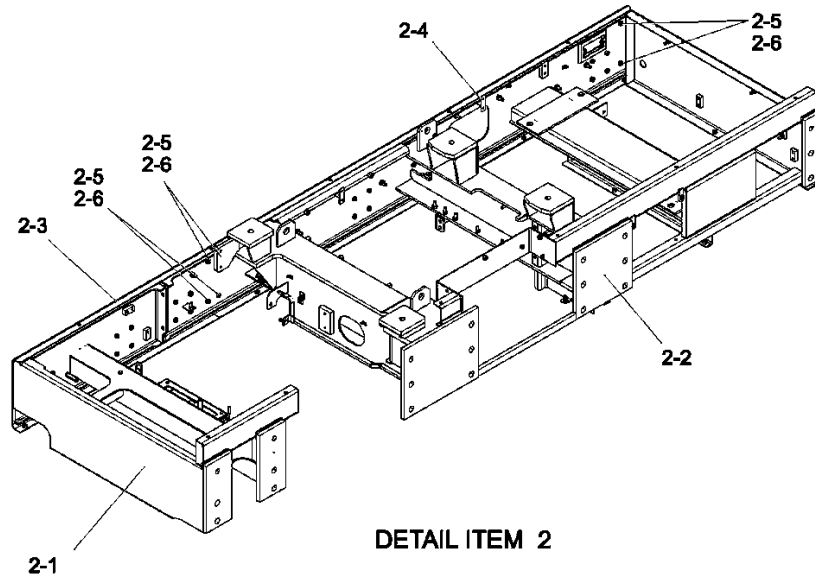
Assembly No.
9999430983
Revision:

Item	FN	Part	Qty	Description
1		9999431883	1	BRKT
2		9999431884	1	BRKT
3		9999431887	1	BRKT
4		9999431888	1	BRKT
5		9999431892	1	BRKT
6		9999431893	1	BRKT
7		9999431900	1	COVER ASSY
7-1		9999431901	1	COVER
7-2		9999432068	2	STRIP, WEATHER
9		9999432211	13	SEMS-BOLT
10		9999427770	26	CAPSCREW
12		9999424840	26	WASHER,
13		9999431885	4	CAPSCR
14		9999422194	4	WASHER,
15		9999422432	1	RUBBER
16		9999432127	1	GROMMET
17		9999404122	2	TRIM
18		9999431108	5	TRIM
19		9999432092	1	HANDRAIL
20		9999430082	2	WSHR
21		9999424718	2	CAPSCREW
22		9999421388	2	LOCK WASHER
23		9999432003	1	RUBBER
24		9999432002	1	RUBBER

Manitowoc

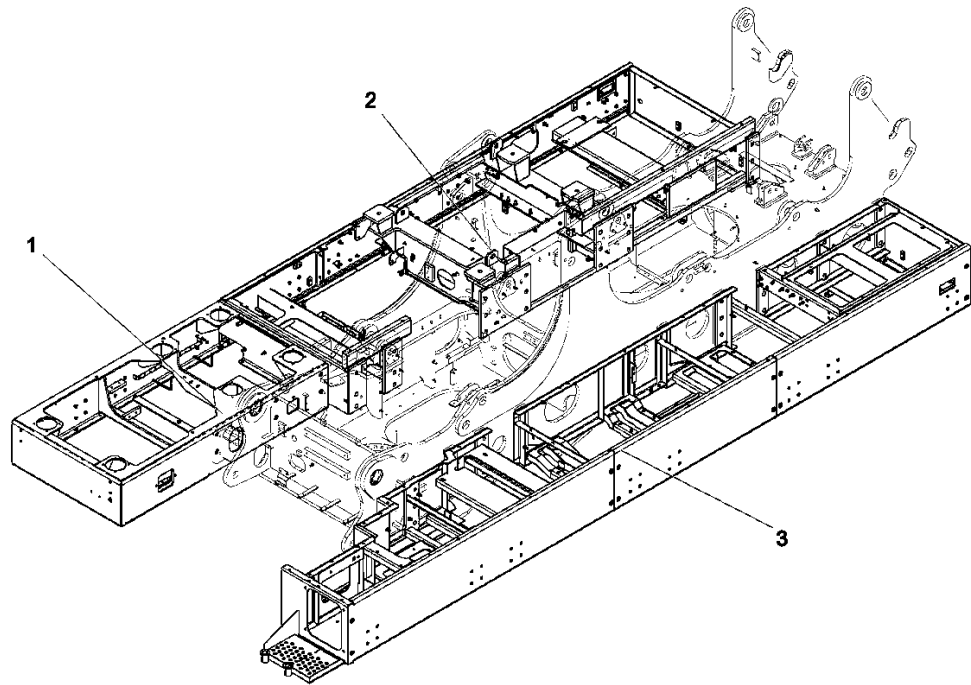
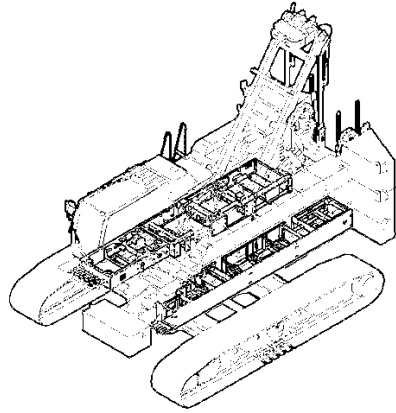
Notes

Manitowoc



Manitowoc

DECK ASSY
R.H. & L.H. DECK



Manitowoc

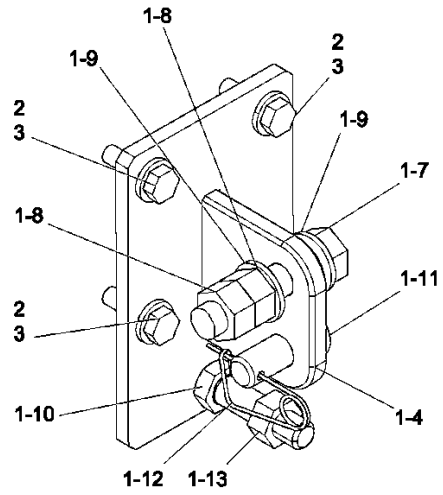
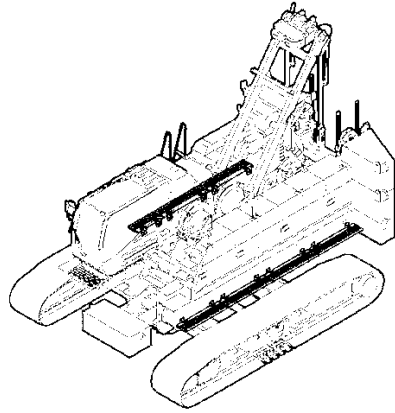
Description
DECK ASSY RH & LH

Assembly No.
9999430984
 Revision:

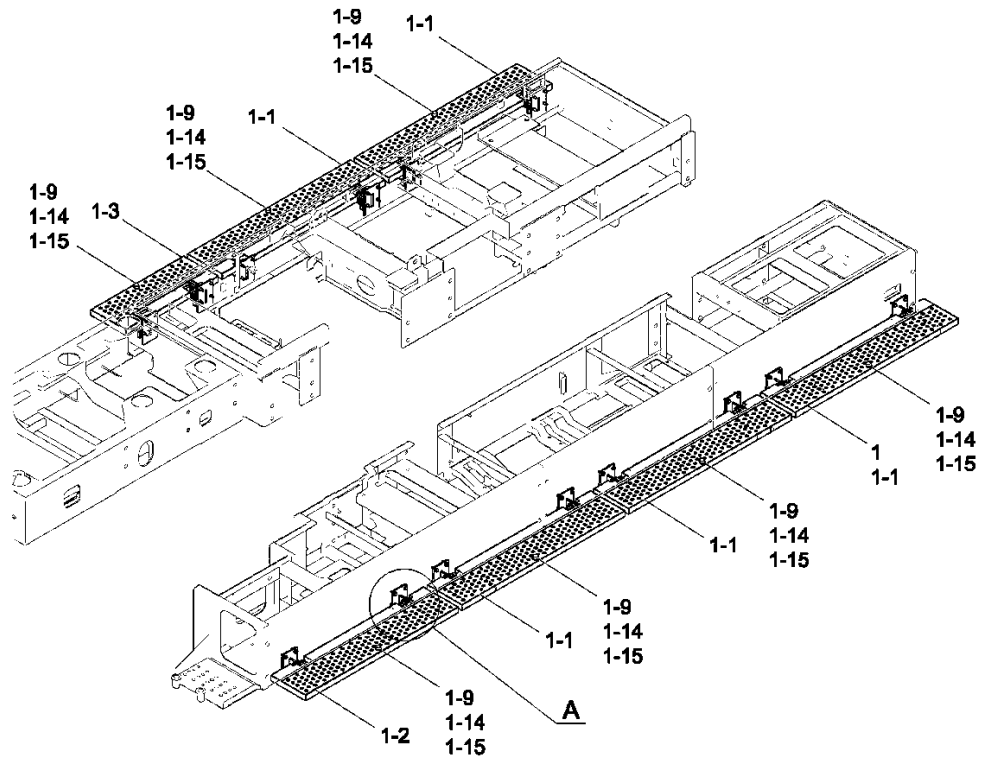
Item	FN	Part	Qty	Description
1		9999431874	1	DECK, RH
2		9999431875	1	DECK ASSY, RH
2-1		9999431877	1	DECK, RH
2-2		9999431878	1	DECK, RH
2-3		9999431914	1	COVER
2-4		9999431915	1	COVER
2-5		9999431885	8	CAPSCR
2-6		9999422194	8	WASHER,
3		9999431876	1	DECK ASSY, LH
3-1		9999431879	1	DECK, LH
3-2		9999431880	1	DECK, LH
3-3		9999431881	1	DECK, LH
3-4		9999431916	1	COVER
3-5		9999431917	1	COVER
3-6		9999431918	1	COVER
3-7		9999431885	12	CAPSCR
3-8		9999422194	12	WASHER,

Manitowoc

PLATFORM ASSY, AUX CATWALK / OPT.



DETAIL A



Manitowoc

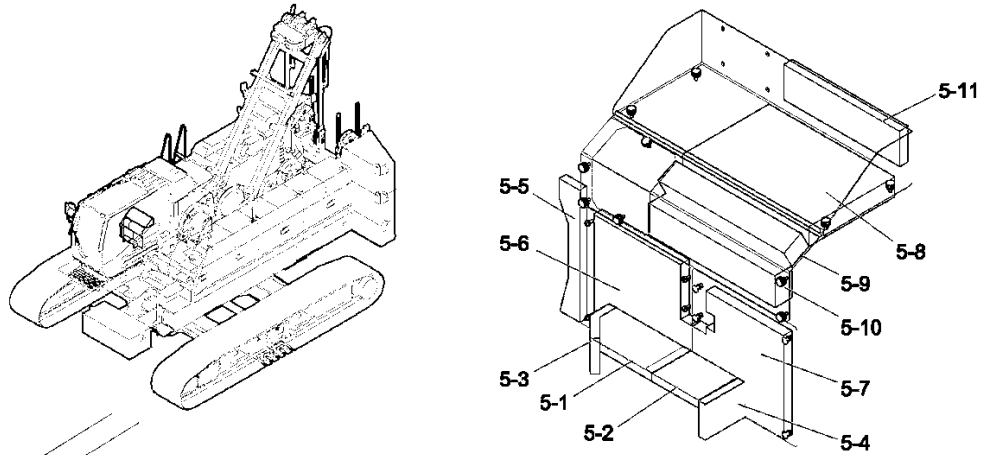
Description
PLATFORM ASSY, AUX CATWALK

Assembly No.
9999430947
 Revision:

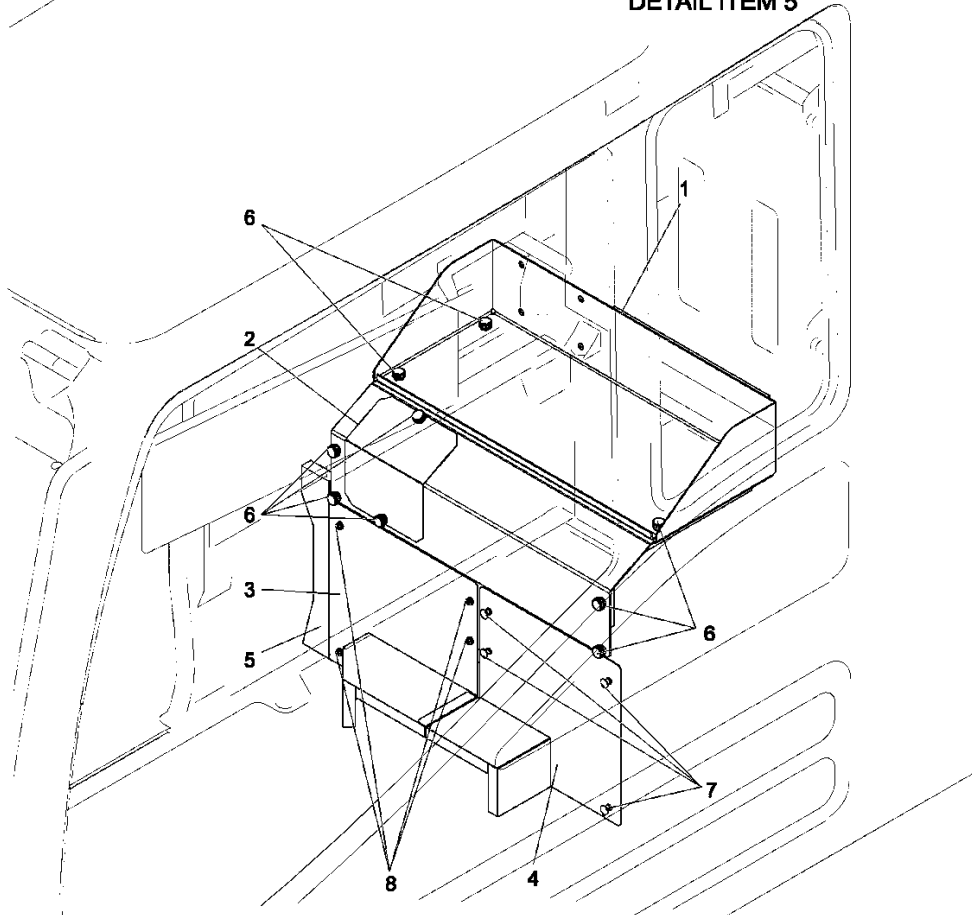
Item	FN	Part	Qty	Description
1		9999431757	1	PLATFORM ASSY, AUX
1-1		9999431759	5	PLATFORM, AUX
1-2		9999431762	1	PLATFORM, AUX
1-3		9999431760	1	PLATFORM, AUX
1-4		9999431787	14	BRKT
1-7		9999432232	14	CAPSCR
1-8		9999432217	28	NUT
1-9		9999424859	35	WASHER,
1-10		9999432063	14	CAPSCR
1-11		9999424079	7	PIN
1-12		9999422241	7	PIN
1-13		9999424569	14	NUT
1-14		9999431164	7	RUBBER
1-15		9999422198	7	WASHER,
2		9999424695	56	CAPSCREW
3		9999424837	56	WASHER,

Manitowoc

COVER ASSY AIR CONDITIONER (IN CAB)



DETAIL ITEM 5



Manitowoc

Description

COVER ASSY A/C IN CAB

Assembly No.

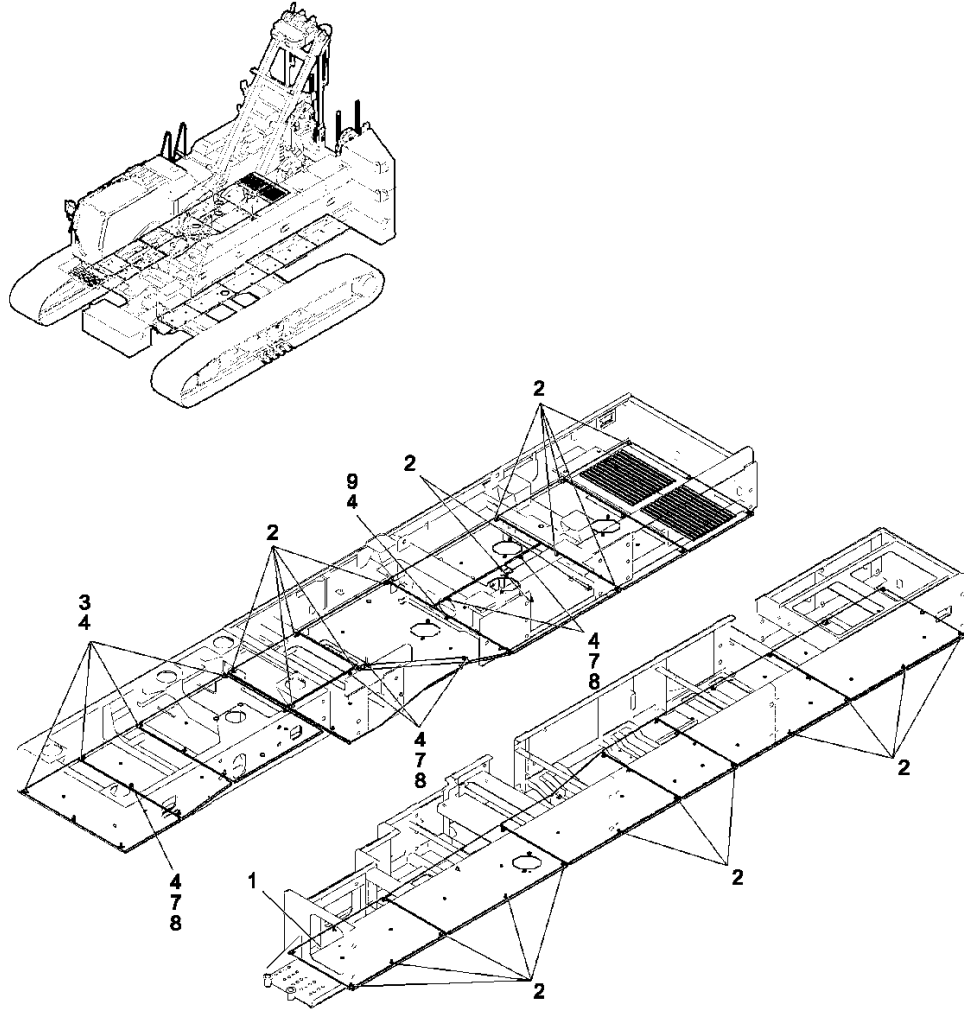
9999431048

Revision:

Item	FN	Part	Qty	Description
1		9999432012	1	COVER
2		9999432013	1	COVER
3		9999432011	1	COVER
4		9999432014	1	COVER
5		9999431626	1	INSULATION INSTAL
5-1		9999431654	1	INSULATION
5-2		9999431655	1	INSULATION
5-3		9999431656	1	INSULATION
5-4		9999431657	1	INSULATION
5-5		9999431658	1	INSULATION
5-6		9999431660	1	INSULATION
5-7		9999431661	1	INSULATION
5-8		9999431662	1	INSULATION
5-9		9999431663	1	INSULATION
5-10		9999431664	1	INSULATION
5-11		9999431675	1	INSULATION
6		9999422712	10	HANDLE
7		9999404506	4	CLIP
8		9999424537	4	SEMS-BOLT

Manitowoc

COVER ASSY, UNDER
UNDER OF DECK



Manitowoc

Description

COVER ASSY, UNDER DECK

Assembly No.

9999430909

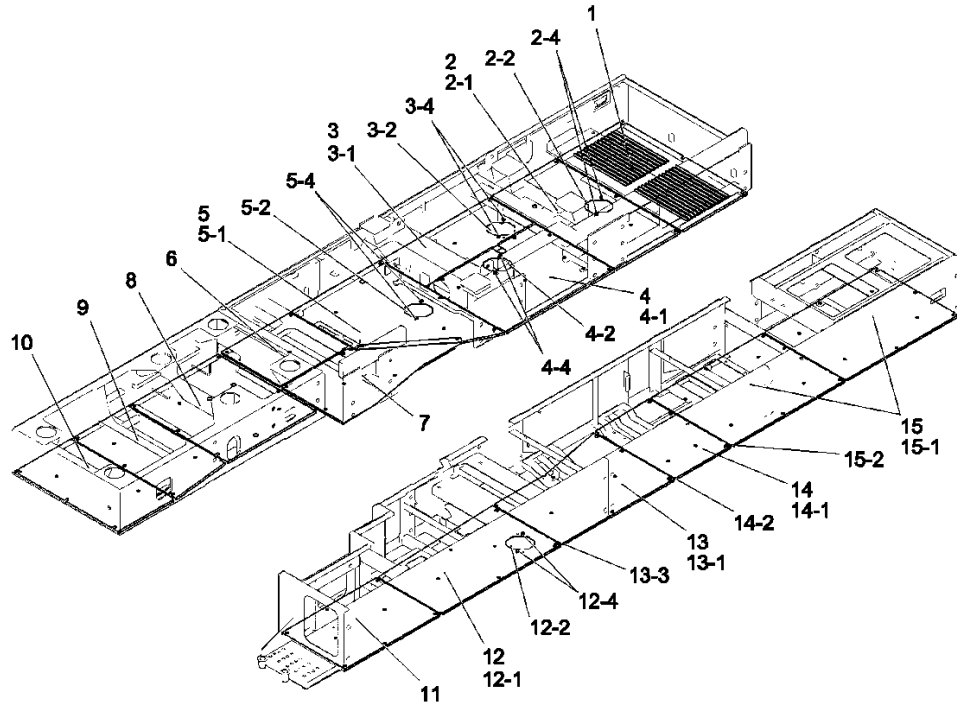
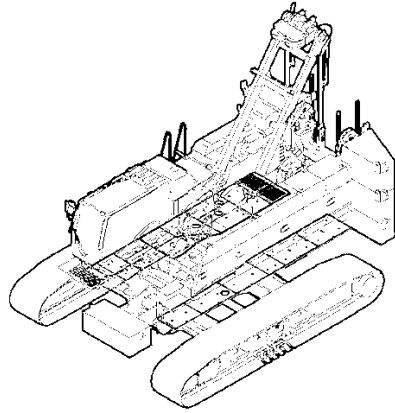
Revision:

Item	FN	Part	Qty	Description
1	+	9999430910	1	COVER ASSY, UNDER DECK
2		9999424526	47	SEMS-BOLT
3		9999419659	10	CAPSCREW
4		9999422194	17	WASHER,
7		9999421368	6	CAPSCREW
8		9999424877	6	LOCK WASHER
9		9999424516	1	SEMS-BOLT

+ SEE FURTHER BREAKDOWN THIS GROUP

Manitowoc

COVER ASSY, UNDER
UNDER OF DECK



Manitowoc

Description
COVER ASSY, UNDER DECK

Assembly No.
9999430910
Revision:

Item	FN	Part	Qty	Description
1		9999431596	1	COVER
2		9999432077	1	COVER ASSY
2-1		9999432081	1	COVER
2-2		9999431477	1	PLATE
2-4		9999432210	2	SEMS-BOLT
3		9999432078	1	COVER ASSY
3-1		9999432082	1	COVER
3-2		9999431477	1	PLATE
3-4		9999432210	2	SEMS-BOLT
4		9999431597	1	COVER ASSY
4-1		9999431598	1	COVER
4-2		9999431477	1	PLATE
4-4		9999432210	2	SEMS-BOLT
5		9999431602	1	COVER ASSY
5-1		9999431603	1	COVER
5-2		9999431477	1	PLATE
5-4		9999432210	2	SEMS-BOLT
6		9999431607	1	COVER
7		9999431608	1	COVER
8		9999431599	1	COVER
9		9999432080	1	COVER
10		9999432079	1	COVER
11		9999431606	1	COVER
12		9999431604	1	COVER ASSY
12-1		9999431605	1	COVER
12-2		9999431477	1	PLATE
12-4		9999432210	2	SEMS-BOLT
13		9999431614	1	COVER ASSY
13-1		9999431600	1	COVER
13-3		9999432083	1	RUBBER
14		9999431613	1	COVER ASSY
14-1		9999431601	1	COVER
14-2		9999431611	1	RUBBER
15		9999431612	2	COVER ASSY

Manitowoc

Description

COVER ASSY, UNDER DECK

Assembly No.

9999430910

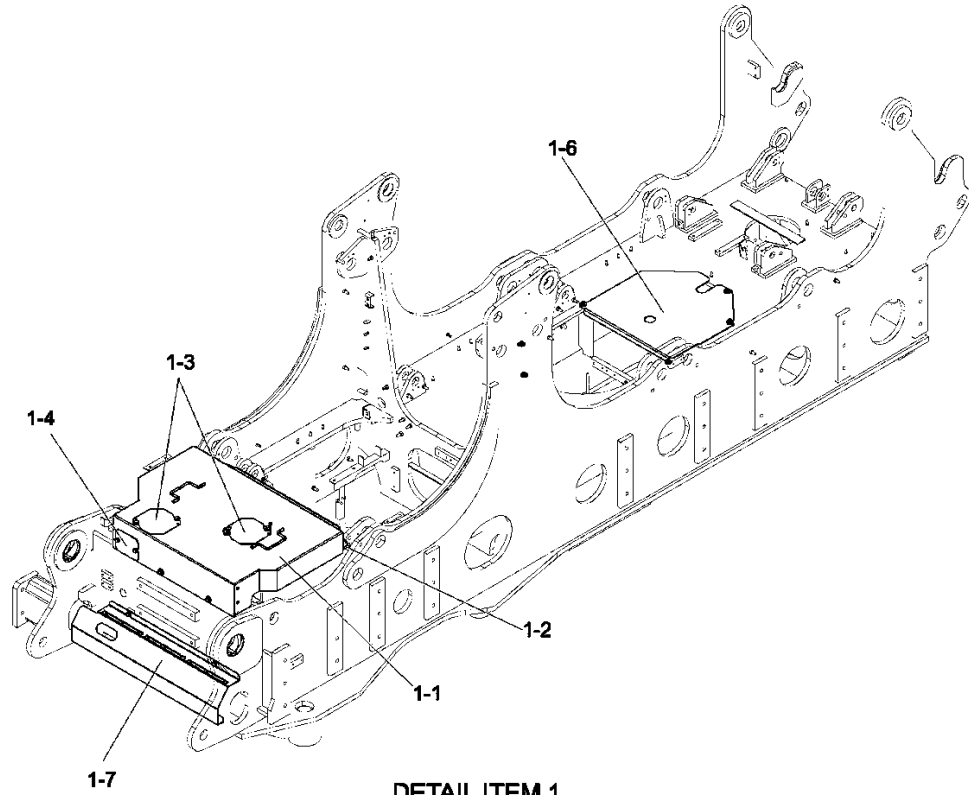
Revision:

Item	FN	Part	Qty	Description
15-1		9999431609	1	COVER
15-2		9999431610	1	RUBBER

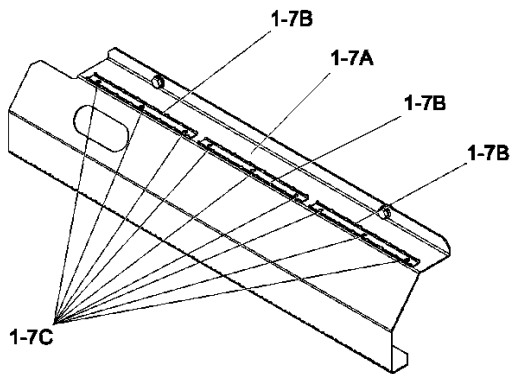
Manitowoc

Notes

Manitowoc

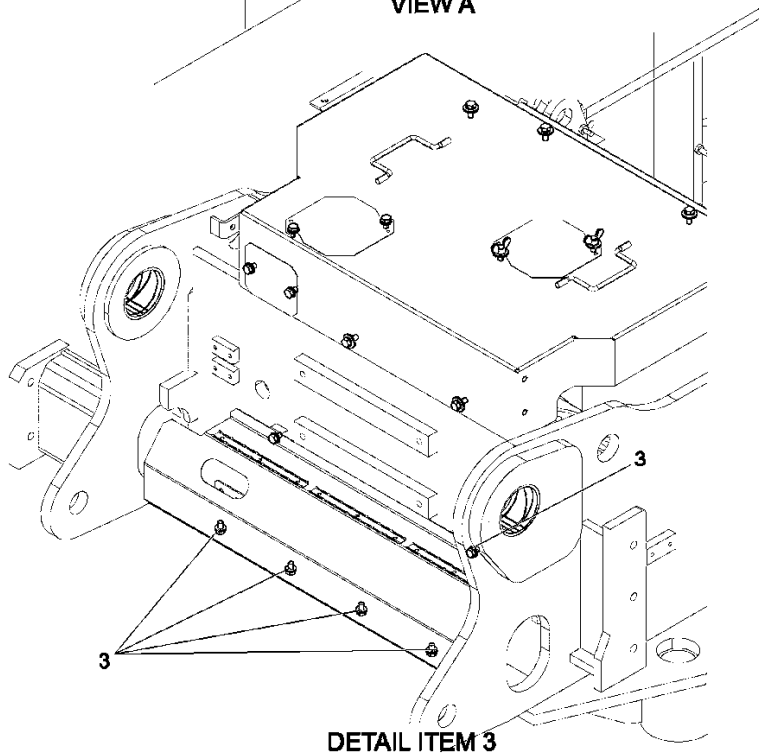
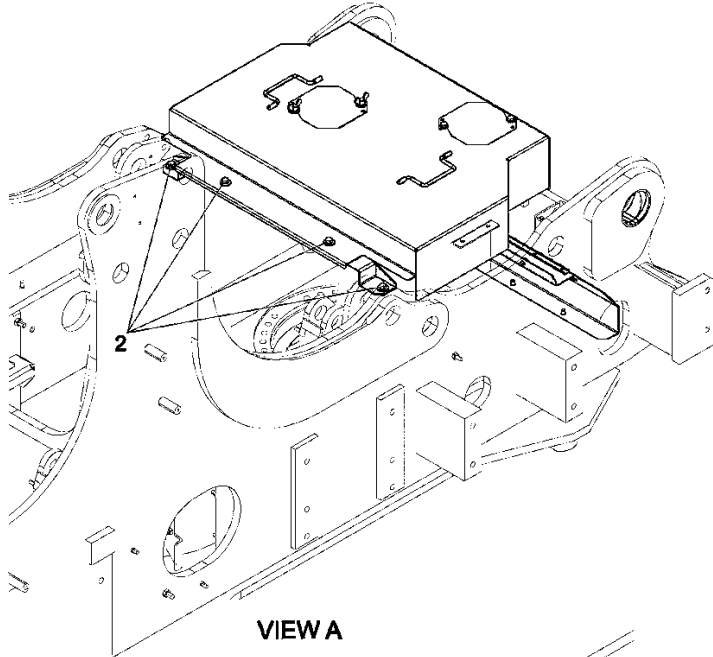


DETAIL ITEM 1



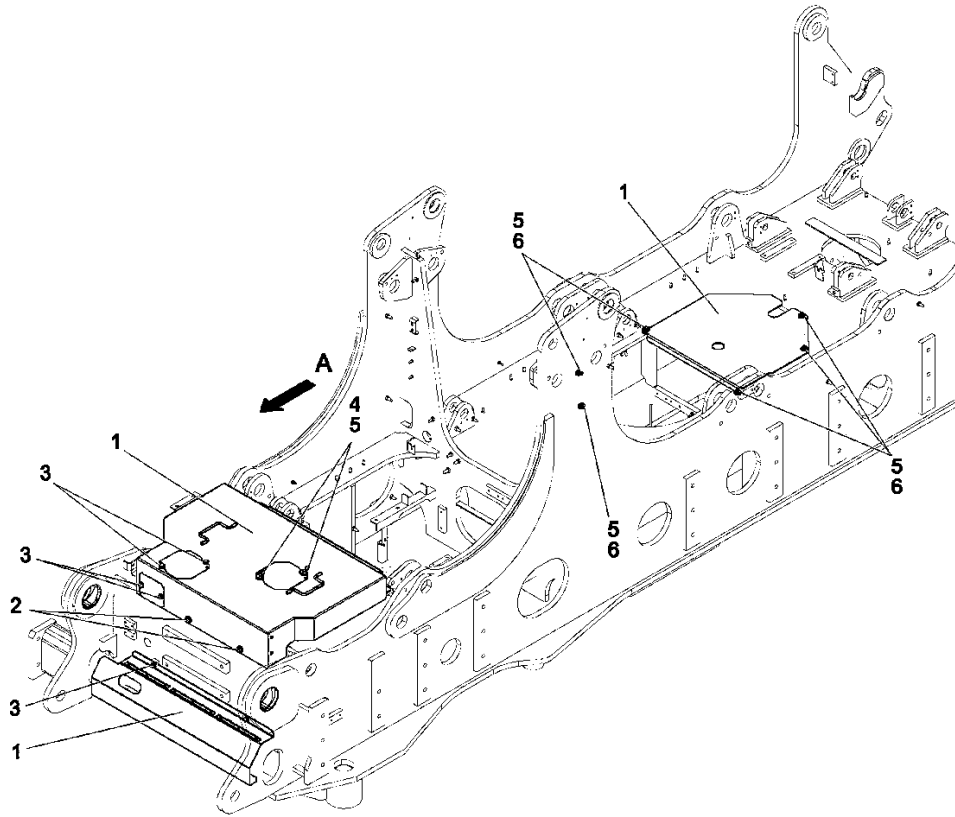
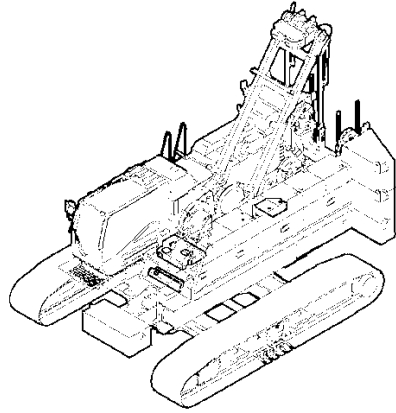
DETAIL ITEM 1-7

Manitowoc



Manitowoc

COVER ASSY SWING FRAME



Manitowoc

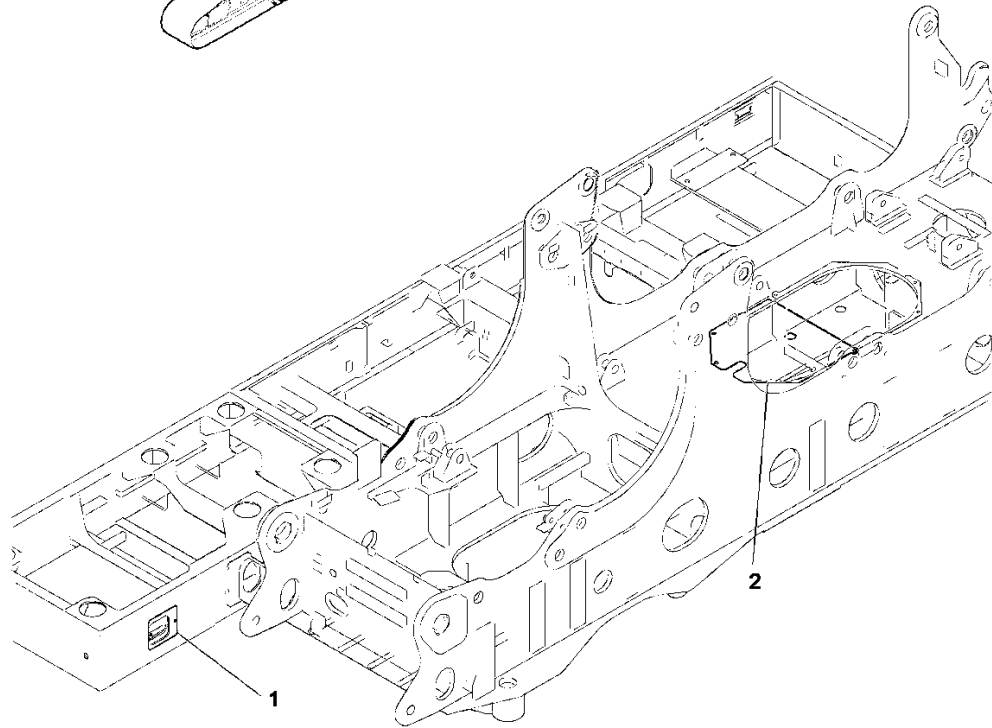
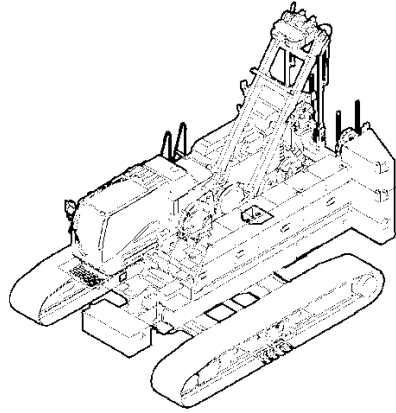
Description
COVER ASSY SWING FRAME

Assembly No.
9999430908
 Revision:

Item	FN	Part	Qty	Description
1		9999431581	1	COVER ASSY
1-1		9999431582	1	COVER
1-2		9999431584	1	BRKT
1-3		9999431477	2	PLATE
1-4		9999431585	1	PLATE
1-6		9999431583	1	COVER
1-7		9999431587	1	PLATE ASSY
1-7A		9999431586	1	PLATE
1-7B		9999432152	3	PLATE
1-7C		9999432153	9	RIVET
2		9999424526	6	SEMS-BOLT
3		9999432209	10	SEMS-BOLT
4		9999403171	2	BOLT
5		9999422194	8	WASHER,
6		9999408711	6	NUT

Manitowoc

COVER ASSY DECK LOWER SIDE OF CAB (LEFT)



Manitowoc

Description

COVER ASSY DECK LOWER SIDE OF CAB LH

Assembly No.

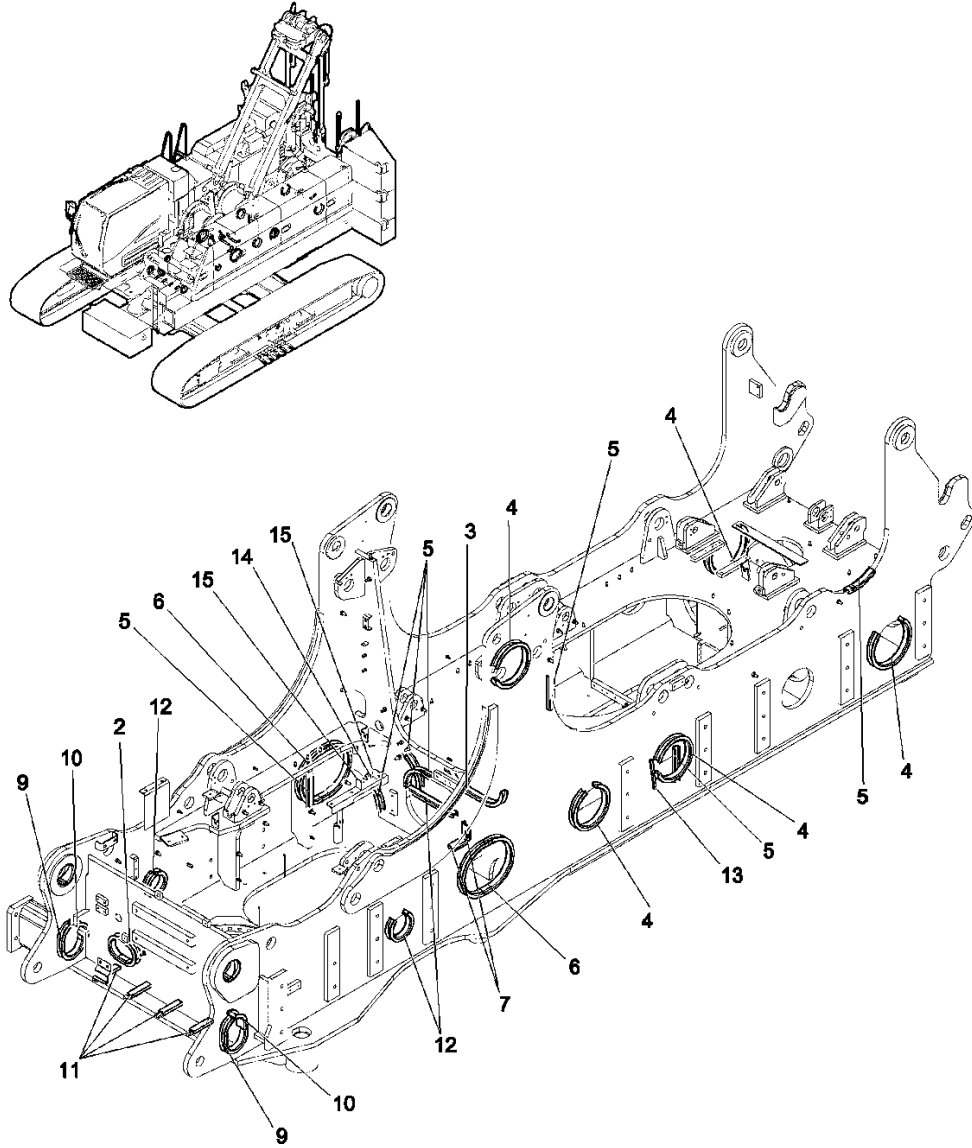
9999430907

Revision:

Item	FN	Part	Qty	Description
1		9999423626	1	COVER
2		9999431583	1	COVER

Manitowoc

RUBBER SWING FRAME



Manitowoc

Description

RUBBER SWING FRAME

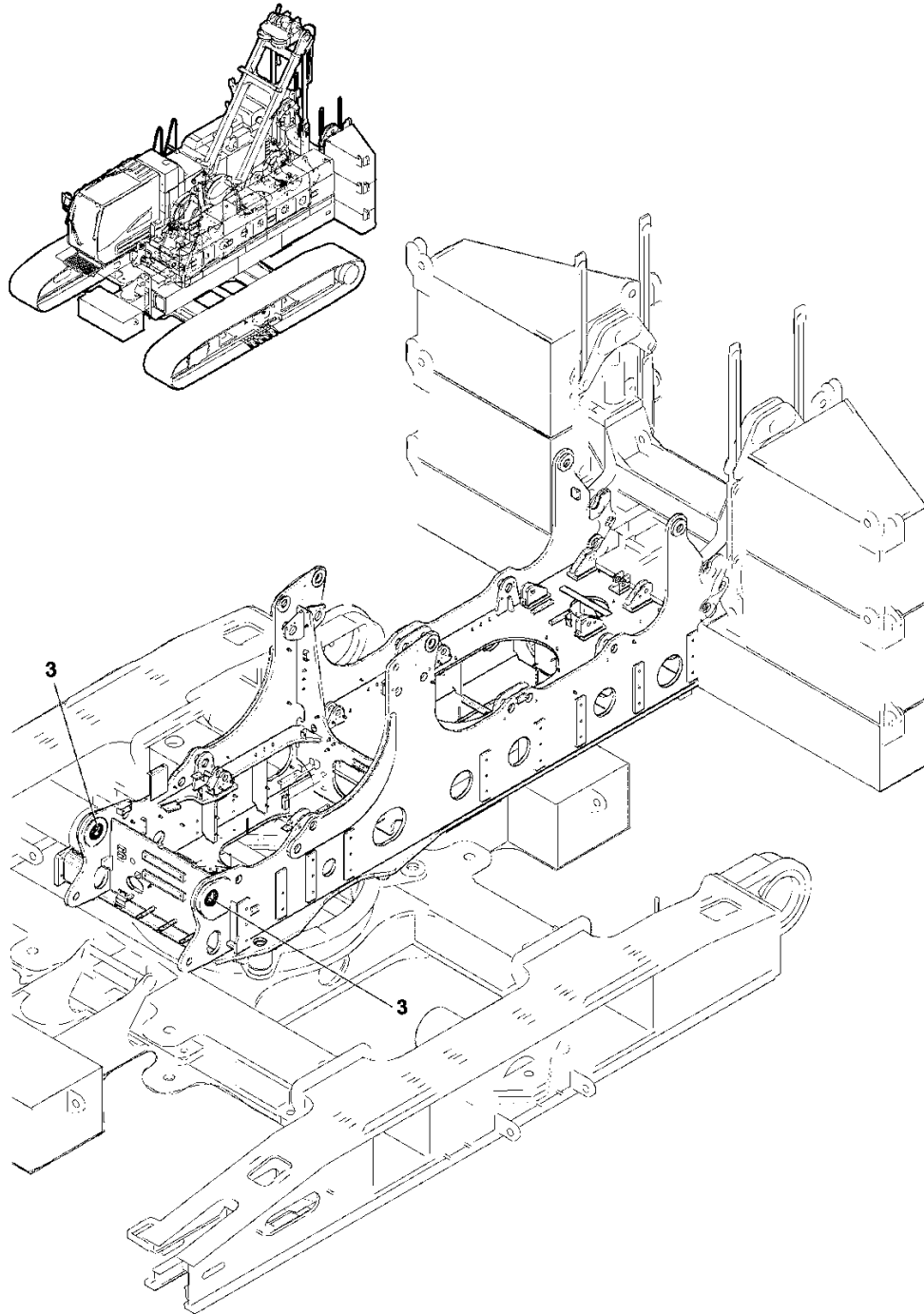
Assembly No.

9999430979

Revision:

Item	FN	Part	Qty	Description
2		9999432103	1	RUBBER
3		9999432104	1	RUBBER
4		9999432105	5	RUBBER
5		9999432107	7	RUBBER
6		9999432108	2	RUBBER
7		9999424244	2	RUBBER
9		9999431144	2	RUBBER
10		9999432004	2	RUBBER
11		9999431143	4	RUBBER
12		9999432106	3	RUBBER
13		9999431110	1	TRIM
14		9999431097	1	SHEET, RUBBER
15		9999431098	2	SHEET, RUBBER

FRAME ASSY, UPP SWING FRAME



Manitowoc

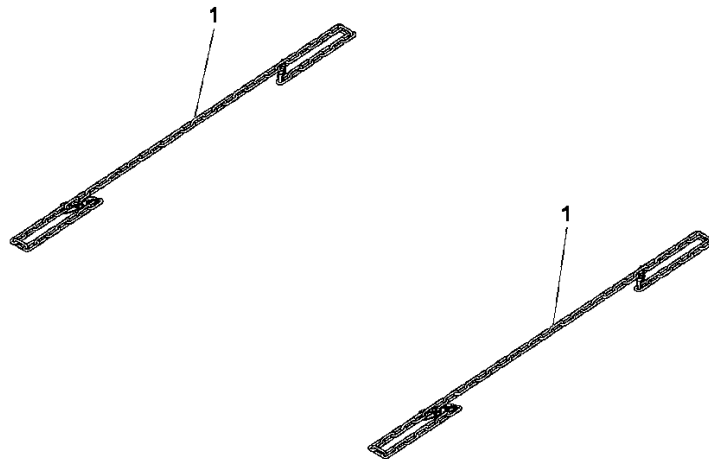
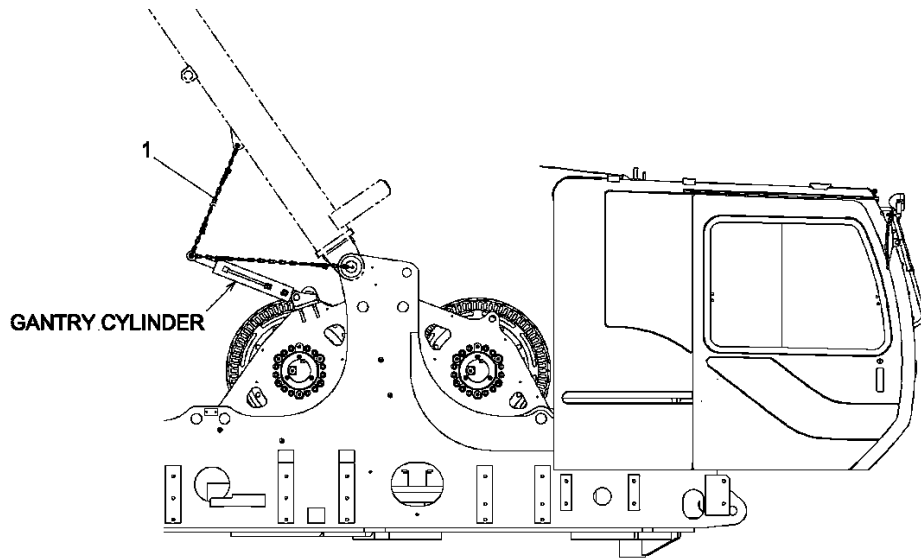
Description
FRAME ASSY, UPP SWING FRAME

Assembly No.
9999430978
Revision:

Item	FN	Part	Qty	Description
3		9999430095	2	BUSHING

Manitowoc

SUPPORT ASSY
GANTRY CYLINDER



DETAIL ITEM 1

Manitowoc

Description

SUPPORT ASSY GANTRY CYL

Assembly No.

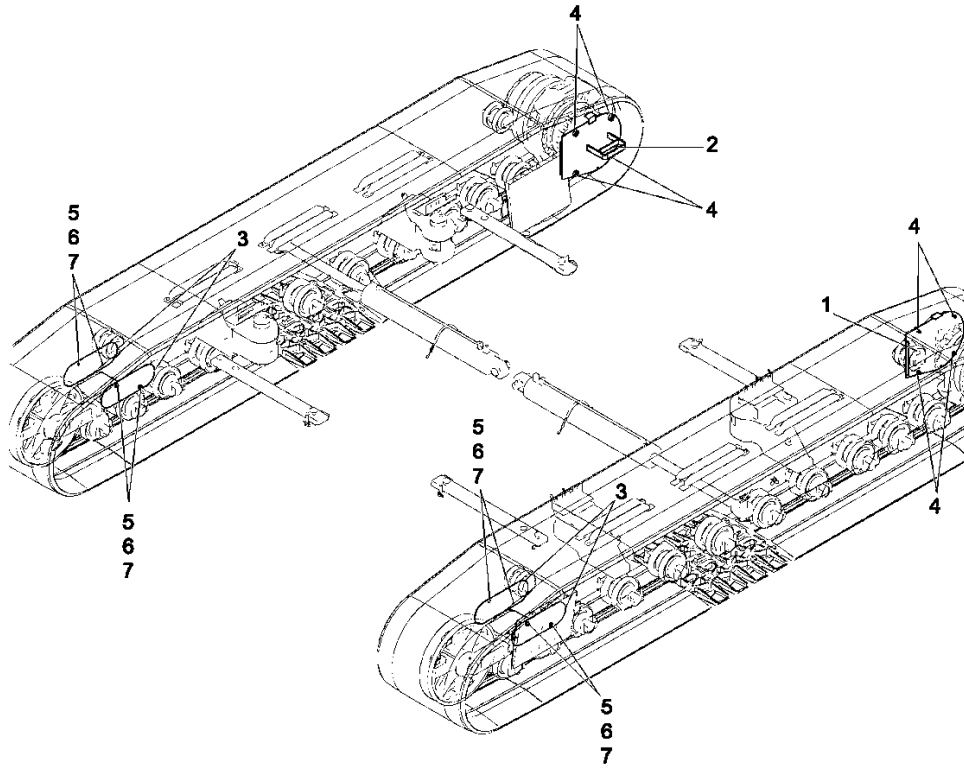
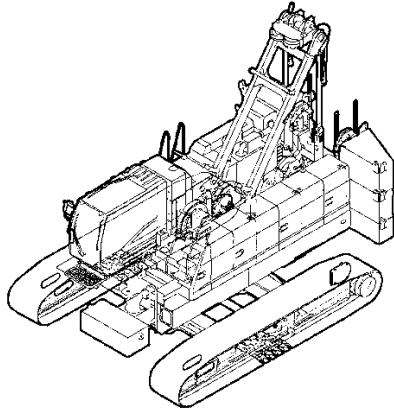
9999430800

Revision:

Item	FN	Part	Qty	Description
1		9999431175	2	CHAIN

Manitowoc

COVER ASSY PROPEL MOTOR COVER



Manitowoc

Description

COVER ASSY PROPEL MOTOR COVER

Assembly No.

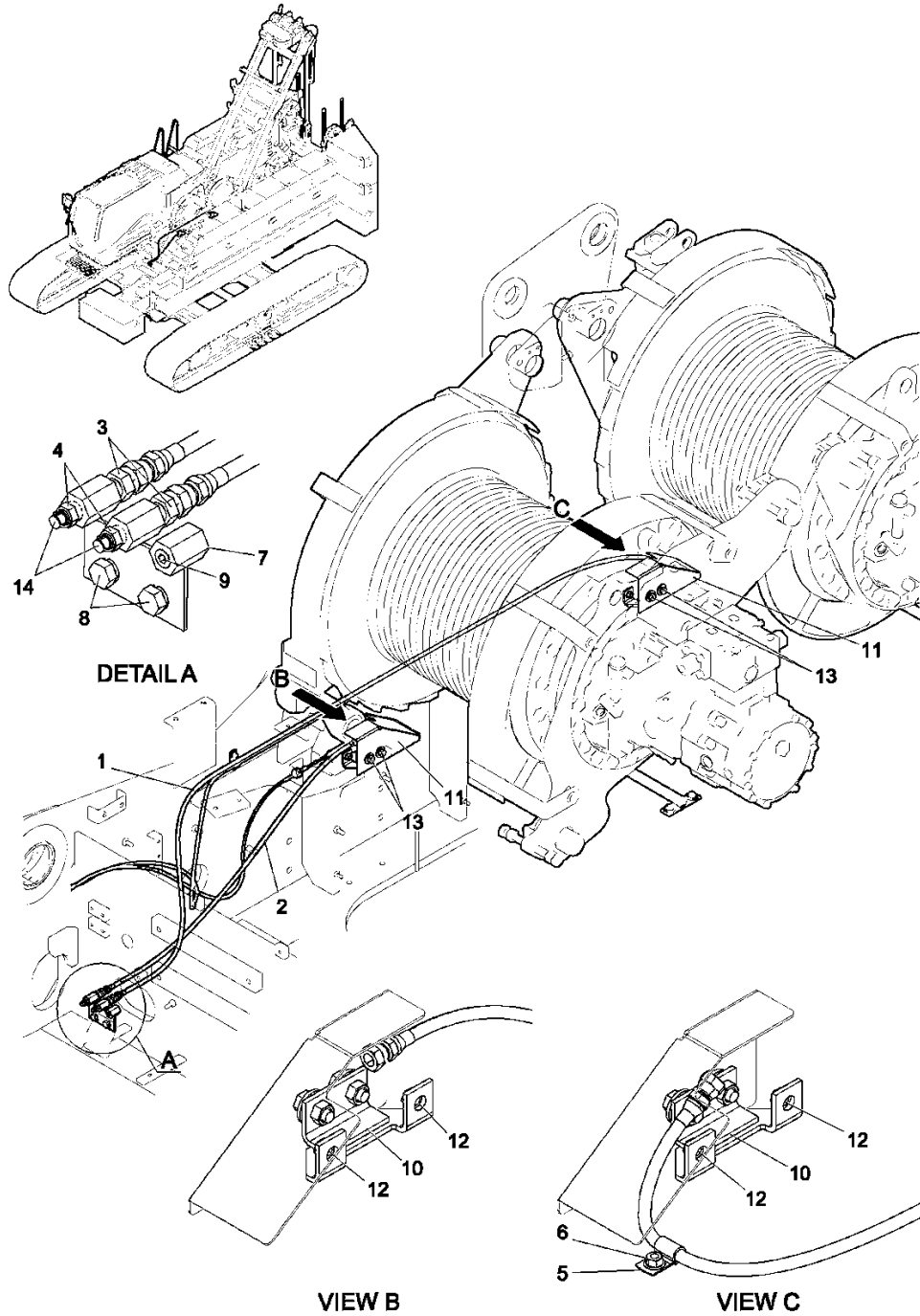
9999430805

Revision:

Item	FN	Part	Qty	Description
1		9999431187	1	COVER
2		9999431188	1	COVER
3		9999431189	4	COVER
4		9999424775	8	CAPSCREW
5		9999424567	8	NUT
6		9999424877	8	LOCK WASHER
7		9999422194	8	WASHER,

Manitowoc

LUB LINES
FRONT, REAR



Manitowoc

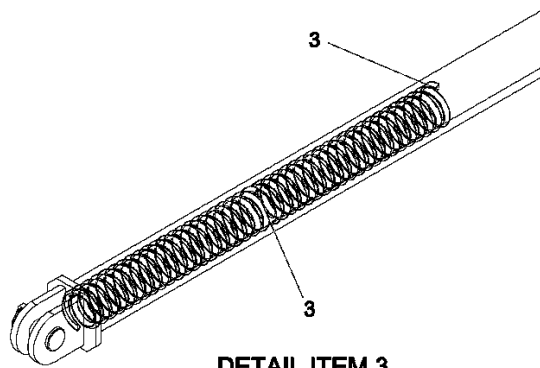
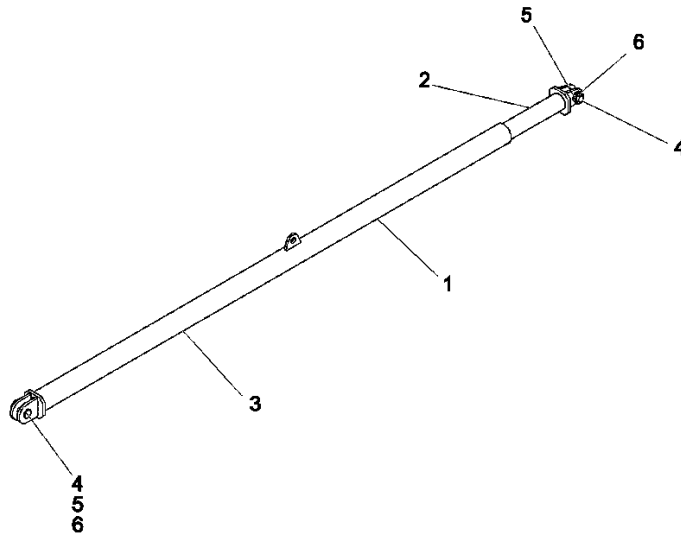
Description
LUB LINES FRT, RR

Assembly No.
9999431051
Revision:

Item	FN	Part	Qty	Description
1		9999431090	1	HOSE
2		9999431088	1	HOSE ASSY
3		9999424483	2	CONNECTOR
4		9999421342	2	NIPPLE, GREASE
5		9999424391	1	CLIP
6		9999408710	1	NUT
7		9999423796	1	BRACKET
8		9999424510	2	SEMS-BOLT
9		9999424453	1	PLUG
10		9999432020	2	BRKT
11		9999432021	2	COVER
12		9999408711	4	NUT
13		9999424526	4	SEMS-BOLT
14		9999422650	2	CAP

Manitowoc

BACKSTOP ASSY, BOOM



DETAIL ITEM 3

Manitowoc

Description

BACKSTOP ASSY, BOOM

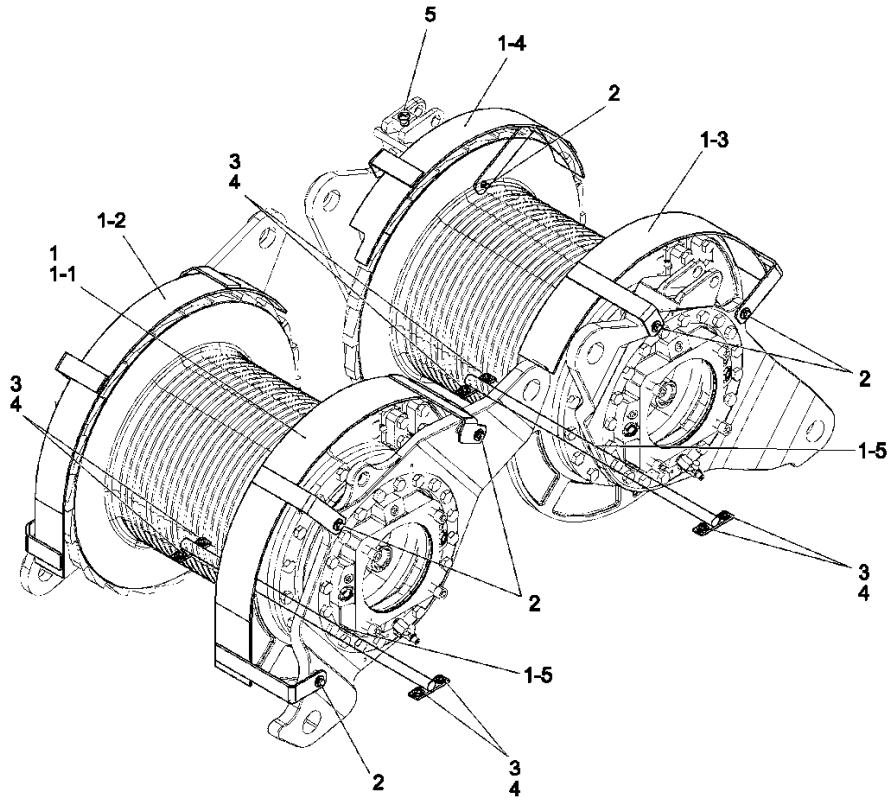
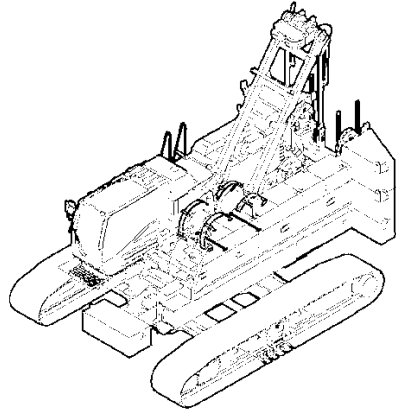
Assembly No.

9999430857

Revision:

Item	FN	Part	Qty	Description
1		9999431337	1	TUBE
2		9999431338	1	TUBE
3		9999407786	2	SPRING
4		9999406669	2	PIN
5		9999427716	2	PIN, SPRING
6		9999406671	2	SPACER

COVER ASSY, DRUM FRONT, REAR



Manitowoc

Description

COVER ASSY, DRUM FRT, RR

Assembly No.

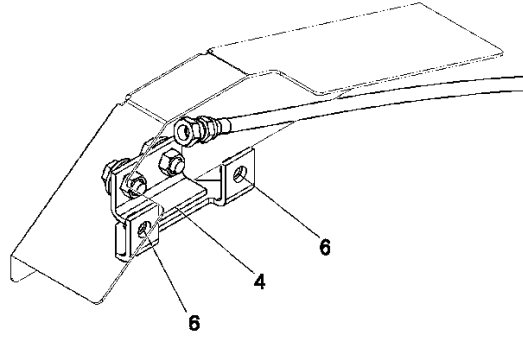
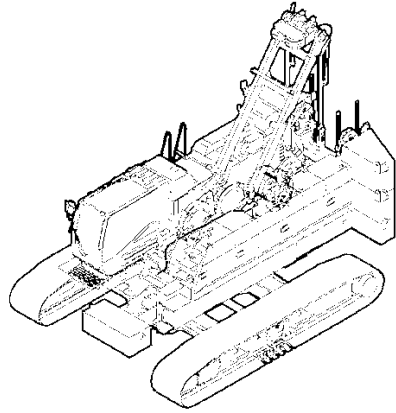
9999430904

Revision:

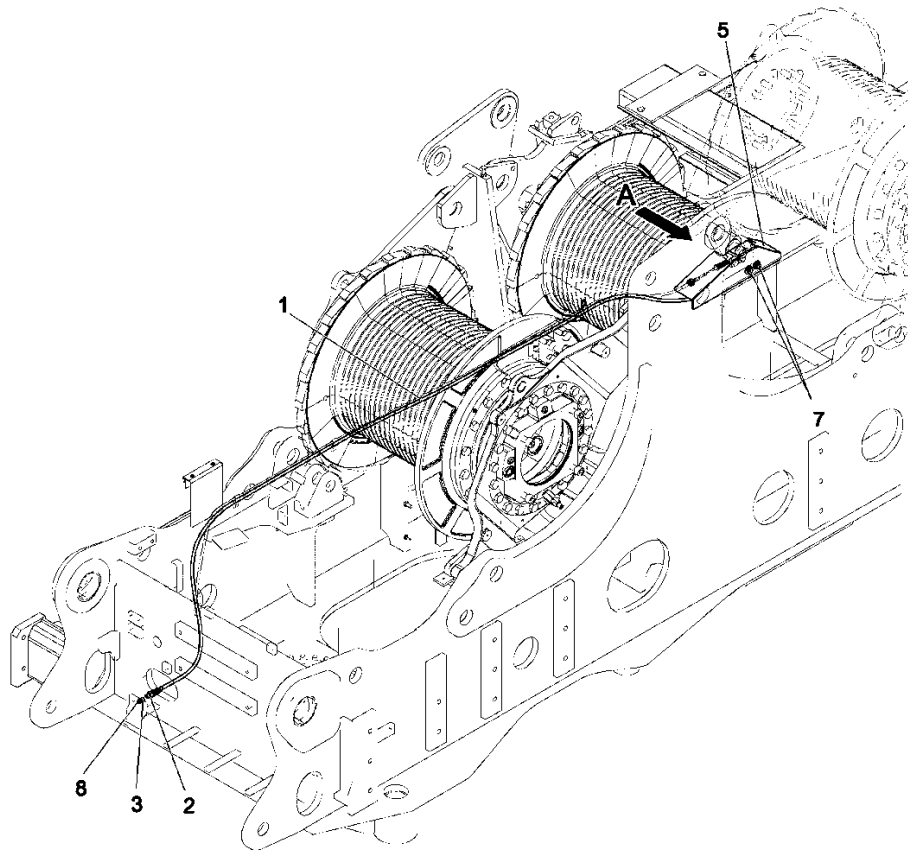
Item	FN	Part	Qty	Description
1		9999431576	1	COVER ASSY, DRUM
1-1		9999431590	1	COVER
1-2		9999431591	1	COVER
1-3		9999431592	1	COVER
1-4		9999431593	1	COVER
1-5		9999431580	2	BAR
2		9999424526	10	SEMS-BOLT
3		9999408711	8	NUT
4		9999422194	8	WASHER,
5		9999424103	1	CAP

Manitowoc

LUB LINES
THIRD / OPT.



VIEW A



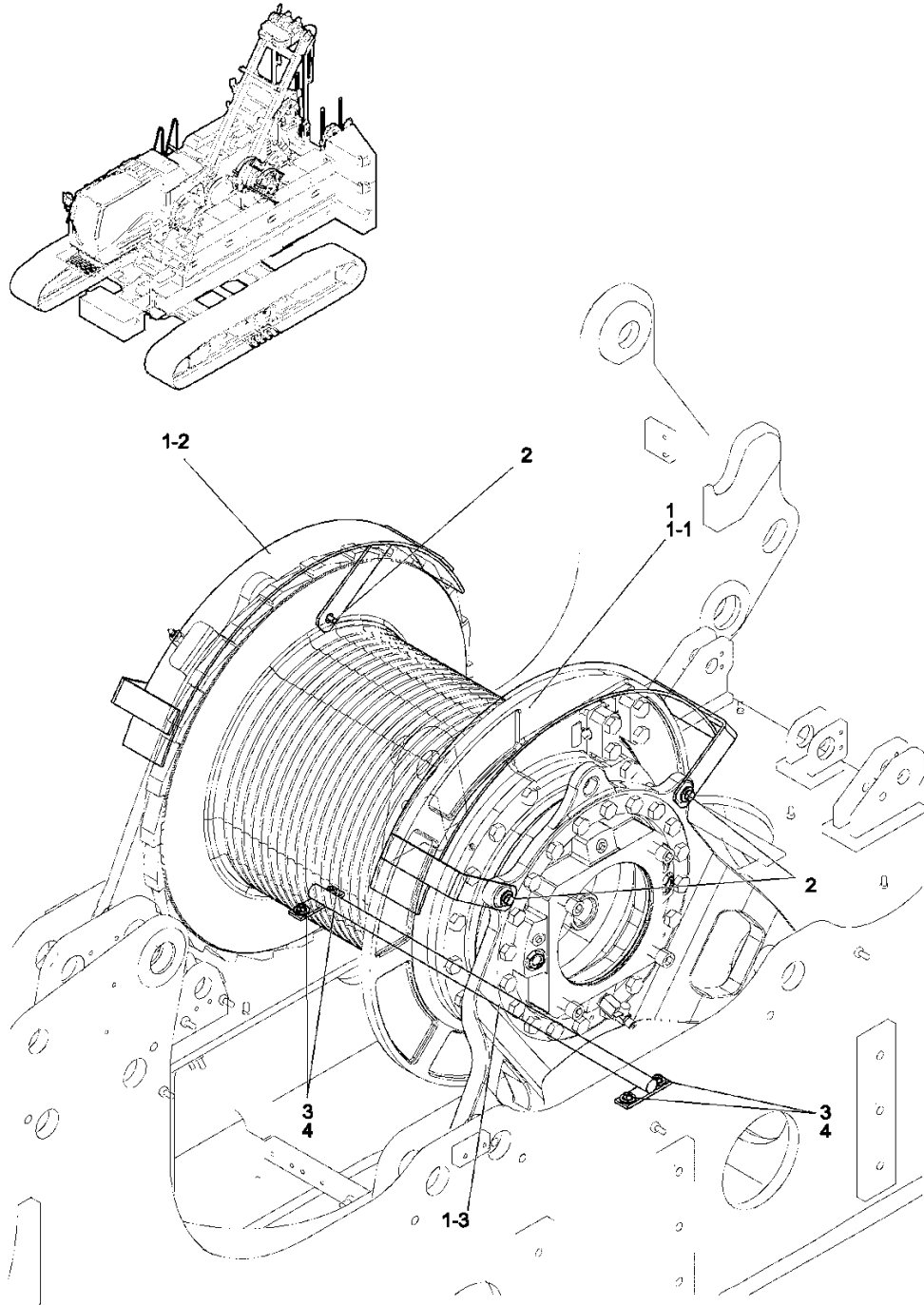
Manitowoc

Description
LUB LINES 3RD

Assembly No.
9999431052
Revision:

Item	FN	Part	Qty	Description
1		9999431092	1	HOSE
2		9999424483	1	CONNECTOR
3		9999421342	1	NIPPLE, GREASE
4		9999432020	1	BRKT
5		9999432022	1	COVER
6		9999408711	2	NUT
7		9999424526	2	SEMS-BOLT
8		9999422650	1	CAP

COVER ASSY, DRUM, 3RD THIRD / OPT.



Manitowoc

Description

COVER ASSY, DRUM, 3RD

Assembly No.

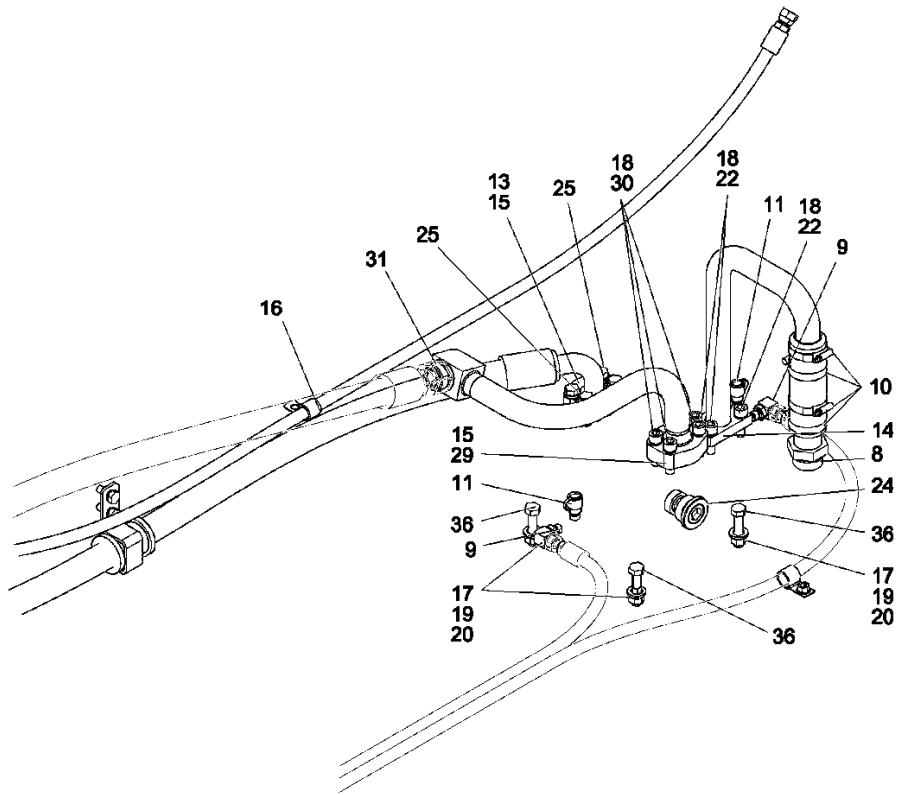
9999430905

Revision:

Item	FN	Part	Qty	Description
1		9999431577	1	COVER ASSY, DRUM,3RD
1-1		9999431594	1	COVER
1-2		9999431595	1	COVER
1-3		9999431580	1	BAR
2		9999424526	4	SEMS-BOLT
3		9999408711	4	NUT
4		9999422194	4	WASHER,

Manitowoc

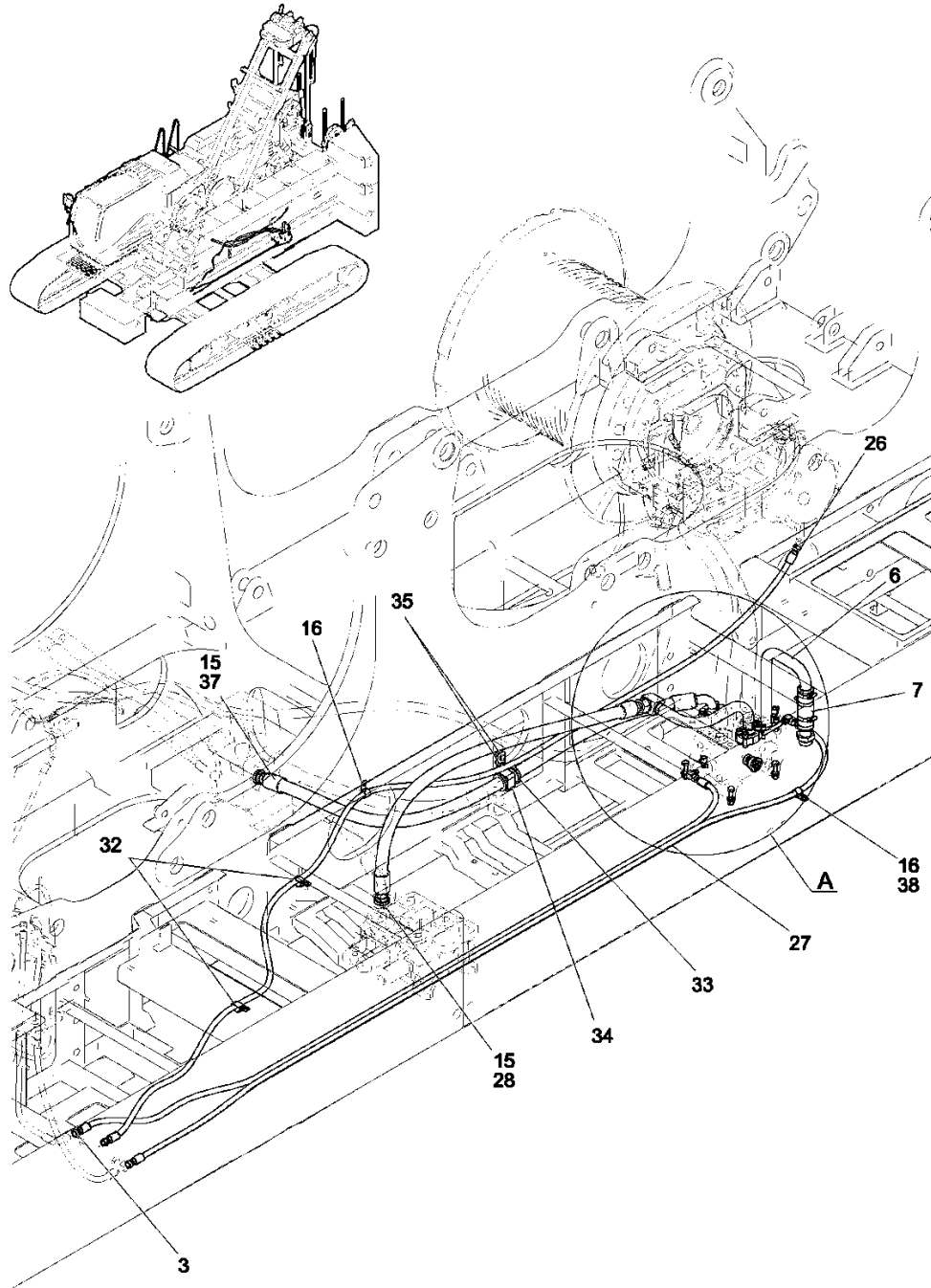
Notes



DETAIL A

Manitowoc

HYD LINES, 3RD
LEFT DECK (WITH DPR CIRCUIT) / THIRD / OPT.



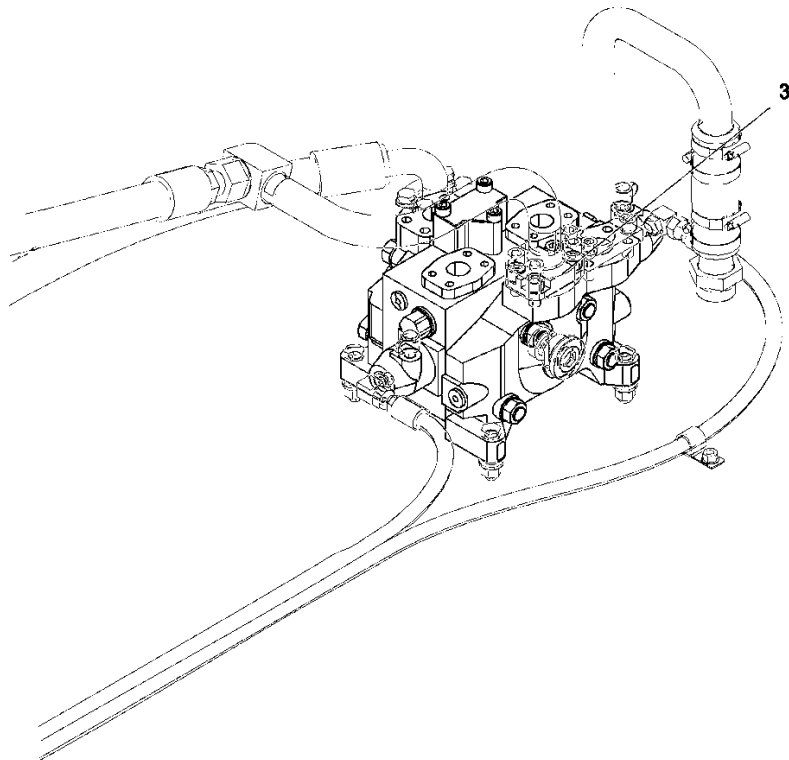
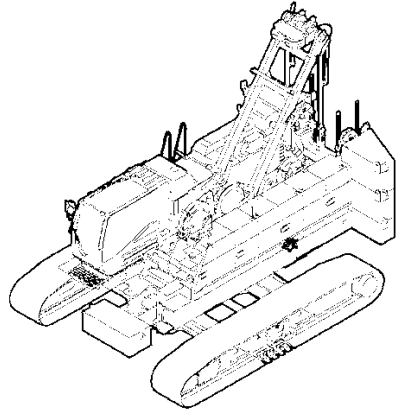
Manitowoc

Description
HYD LINES, 3RD LH DECK W/ DPR CIRCUIT

Assembly No.
9999430966
 Revision:

Item	FN	Part	Qty	Description
3		9999424912	1	HOSE ASSY
6		9999431809	1	TUBE
7		9999429505	1	HOSE
8		9999422651	1	TUBE LINE
9		9999421210	2	ELBOW, 90
10		9999424373	4	CLIP
11		9999406548	2	PLUG
13		9999424444	2	FLANGE
14		9999424435	1	O-RING
15		9999424434	4	O-RING
16		9999424393	3	CLIP
17		9999421387	3	LOCK WASHER
18		9999424868	8	LOCK WASHER
19		9999424838	3	WASHER,
20		9999421348	3	NUT
22		9999424771	4	CAPSCREW
24		9999431697	1	VALVE ASSY, CNTRL
25		9999432058	4	SEMS-BOLT
26		9999432282	1	HOSE ASSY
27		9999432280	1	HOSE ASSY
28		9999432241	1	HOSE ASSY
29		9999431810	1	TUBE LINE
30		9999424772	4	CAPSCREW
31		9999424424	1	O-RING
32		9999424405	2	CLIP
33		9999424284	1	BUSHING
34		9999432034	1	CLAMP
35		9999424511	2	SEMS-BOLT
36		9999424706	3	CAPSCREW
37		9999432308	1	HOSE ASSY
38		9999408711	1	NUT

VALVE ASSY, CONTROL
THIRD / OPT.



Manitowoc

Description

VALVE ASSY, CNTRL 3RD

Assembly No.

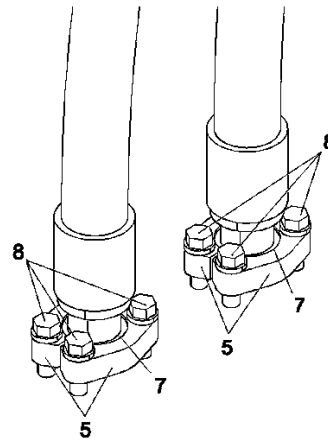
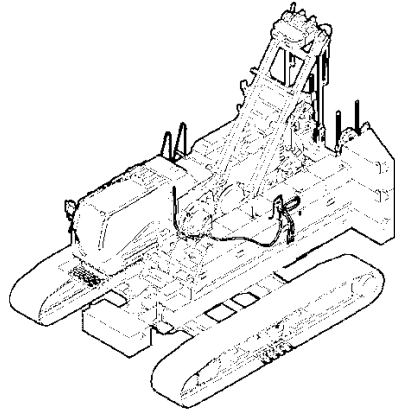
9999430926

Revision:

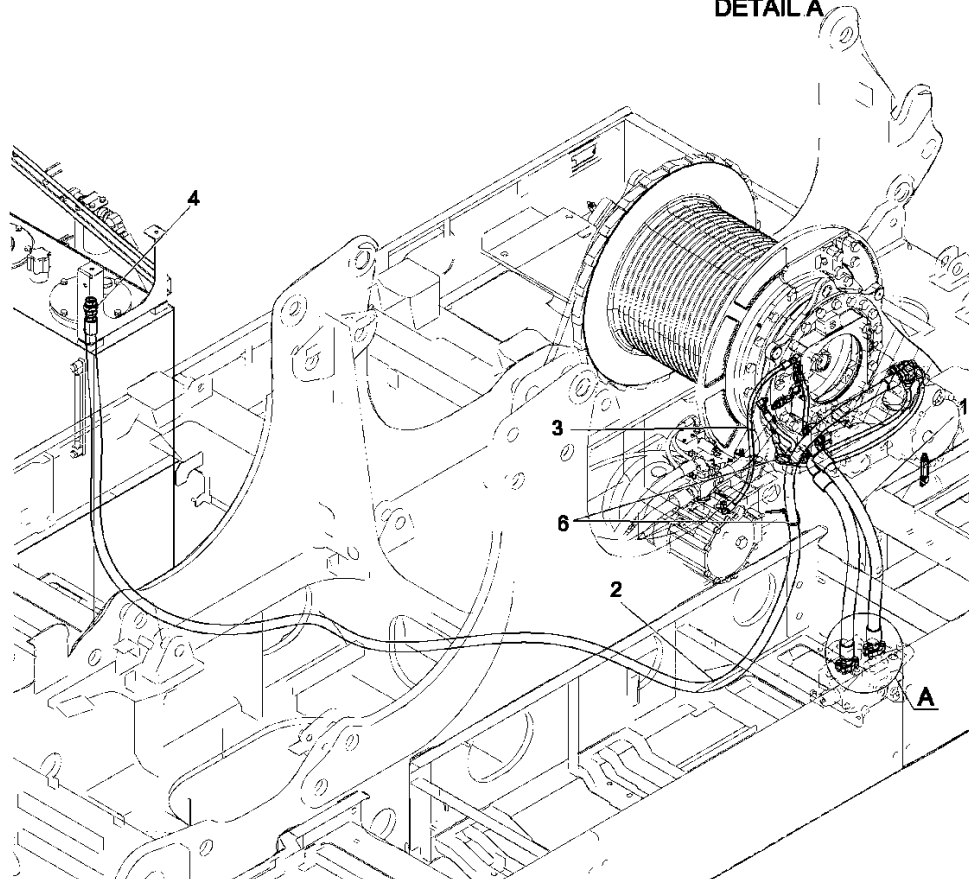
Item	FN	Part	Qty	Description
3		9999431695	1	VALVE ASSY, CNTRL

Manitowoc

HYD LINES, WINCH
THIRD / OPT.



DETAIL A



Manitowoc

Description
HYD LINES, WINCH 3RD

Assembly No.
9999430880
Revision:

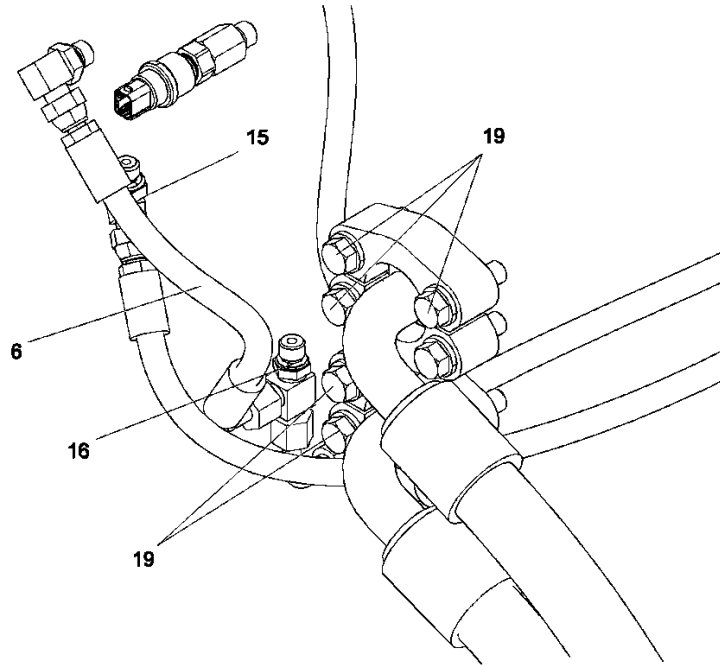
Item	FN	Part	Qty	Description
1	+	9999430882	1	HYD LINES, WINCH 3RD
2		9999432254	1	HOSE ASSY
3		9999432316	1	HOSE ASSY
4		9999424482	1	CONNECTOR
5		9999419434	4	CLAMP, HALF
6		9999406275	2	CLIP
7		9999424434	2	O-RING
8		9999432057	8	SEMS-BOLT

+ SEE FURTHER BREAKDOWN THIS GROUP

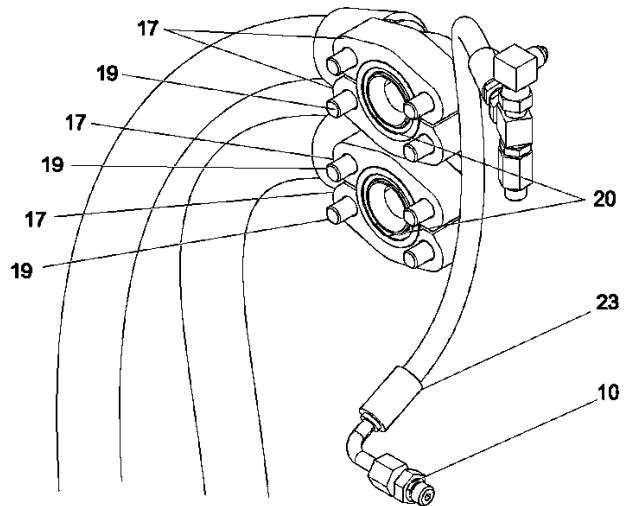
Manitowoc

Notes

Manitowoc



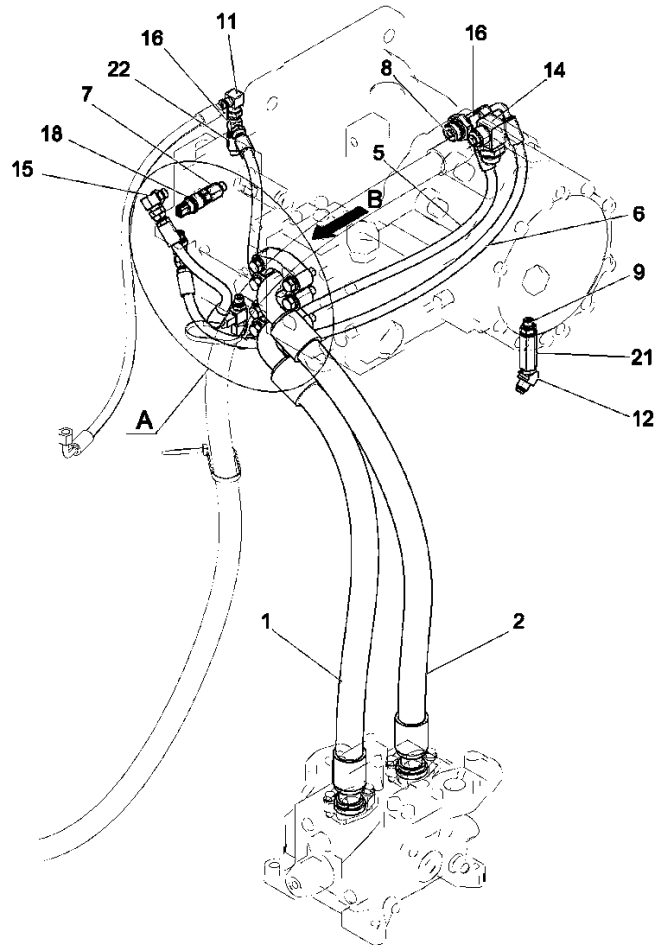
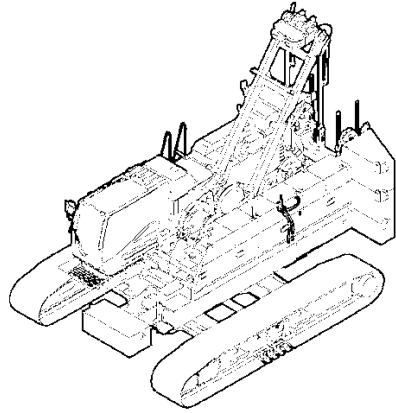
DETAIL A



VIEW B

Manitowoc

HYD LINES, WINCH
THIRD / OPT.



Manitowoc

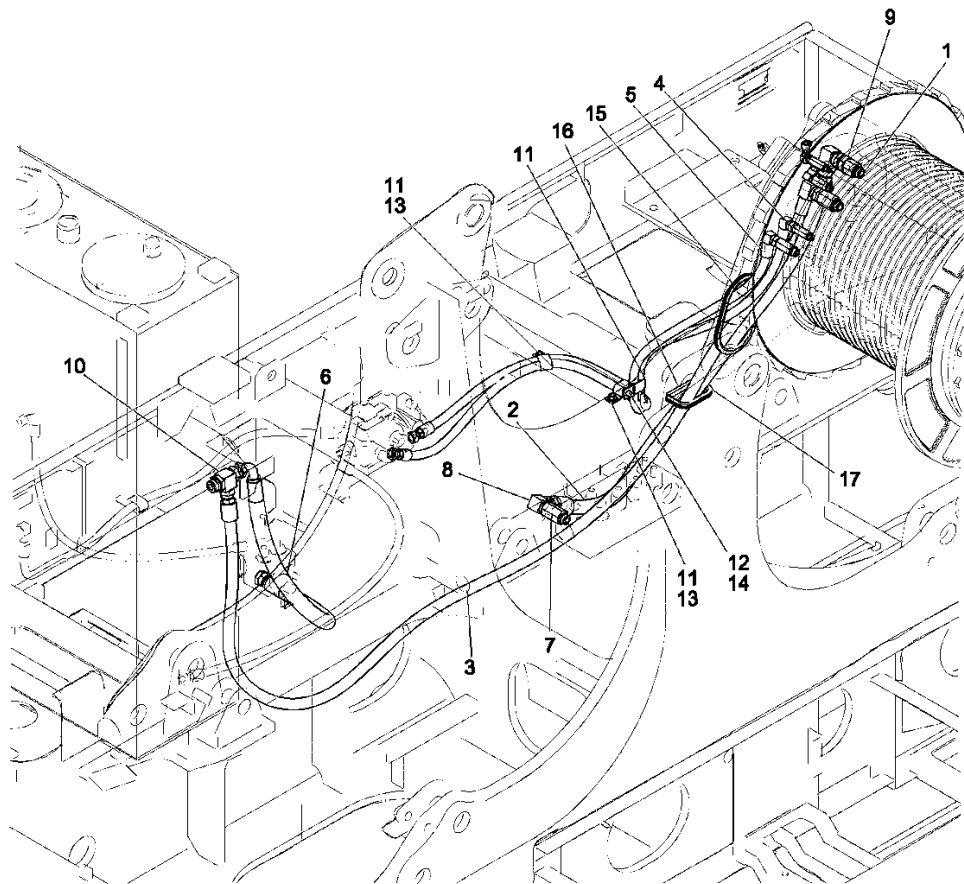
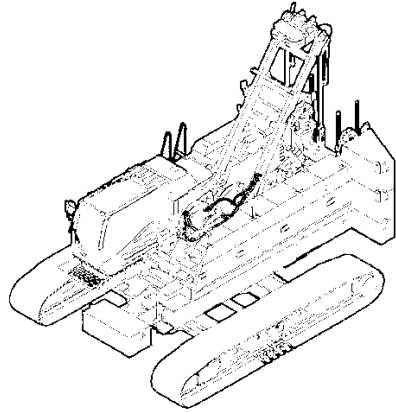
Description
HYD LINES, WINCH 3RD

Assembly No.
9999430882
 Revision:

Item	FN	Part	Qty	Description
1		9999431421	1	HOSE ASSY
2		9999431422	1	HOSE ASSY
5		9999432314	1	HOSE ASSY
6		9999432318	1	HOSE ASSY
7		9999431165	1	CONNECTOR
8		9999422660	1	CONNECTOR
9		9999408698	1	CONNECTOR
10		9999424475	2	CONNECTOR
11		9999431128	1	ELBOW
12		9999424068	1	ELBOW, 45
14		9999424492	1	ELBOW, 90
15		9999424496	1	ELBOW, 45
16		9999422540	2	TEE
17		9999424084	4	CLAMP, HALF
18		9999430134	1	SENSOR, PRESS
19		9999432059	8	SEMS-BOLT
20		9999424435	2	O-RING
21		9999421439	1	VALVE ASSY, CHECK
22		9999432044	1	CONNECTOR
23		9999432312	1	HOSE ASSY

Manitowoc

HYD LINES, WINCH
WINCH COOLER / WITH FREE FALL / THIRD / OPT.



Manitowoc

Description
HYD LINES, WINCH COOLER W/ FREE FALL / 3RD

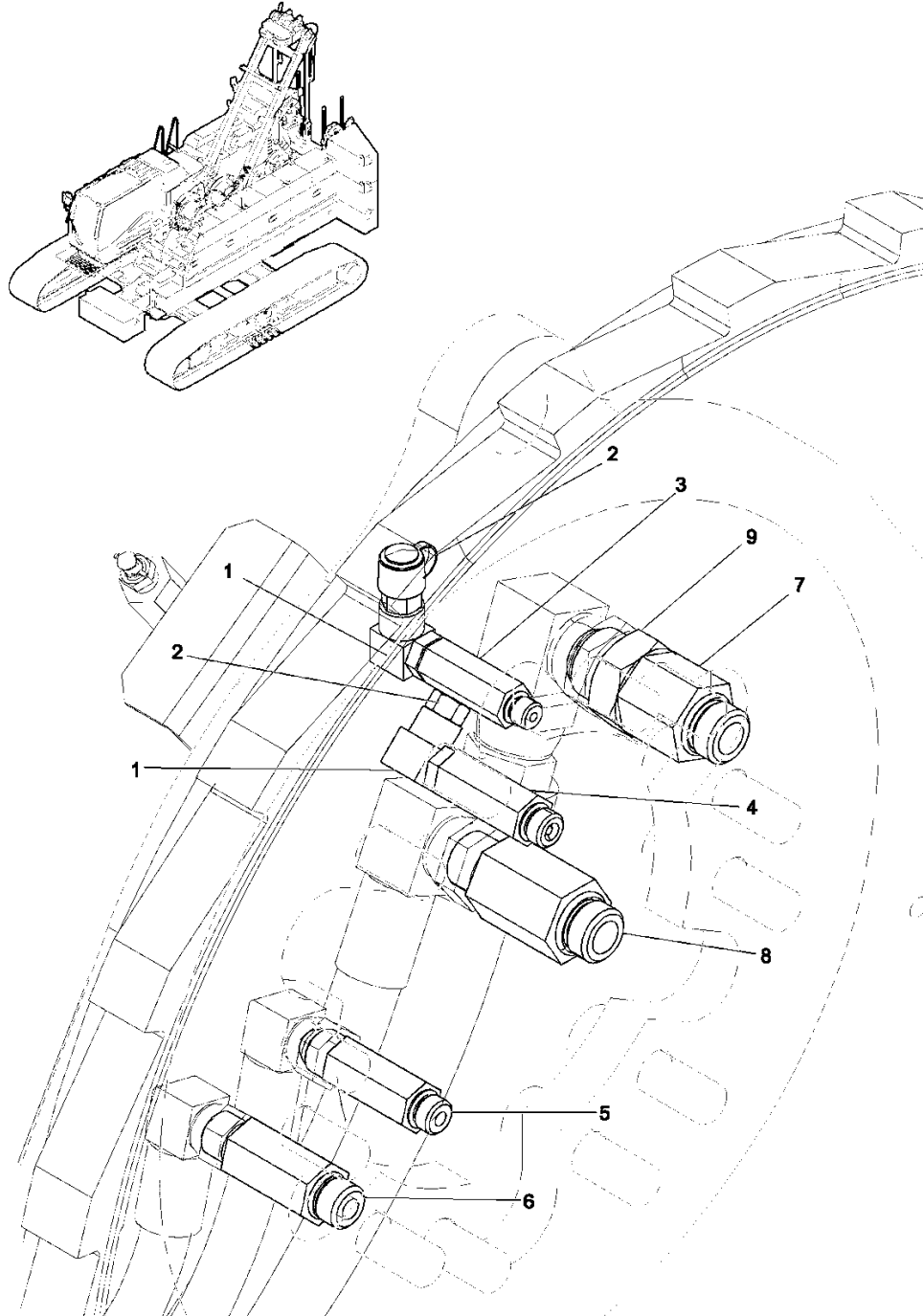
Assembly No.
9999430886
 Revision:

Item	FN	Part	Qty	Description
1	+	9999430887	1	CONNECTOR ASSY WINCH COOLER W/ FREE FALL / 3RD
2		9999432305	1	HOSE ASSY
3		9999432072	1	HOSE ASSY
4		9999431410	1	HOSE ASSY
5		9999431413	1	HOSE ASSY
6		9999432354	1	HOSE ASSY
7		9999432049	1	CONNECTOR
8		9999422515	1	ELBOW, 90
9		9999431129	1	ELBOW
10		9999408709	1	TEE
11		9999428315	3	CLIP
12		9999421374	1	CAPSCREW
13		9999424076	2	NUT
14		9999421387	1	LOCK WASHER
15		9999431114	1	TRIM
16		9999431105	1	TRIM
17		9999422432	1	RUBBER

+ SEE FURTHER BREAKDOWN THIS GROUP

Manitowoc

CONNECTOR ASSY
WINCH COOLER / WITH FREE FALL / THIRD / OPT.



Manitowoc

Description

CONNECTOR ASSY WINCH COOLER W/ FREE FALL / 3RD

Assembly No.

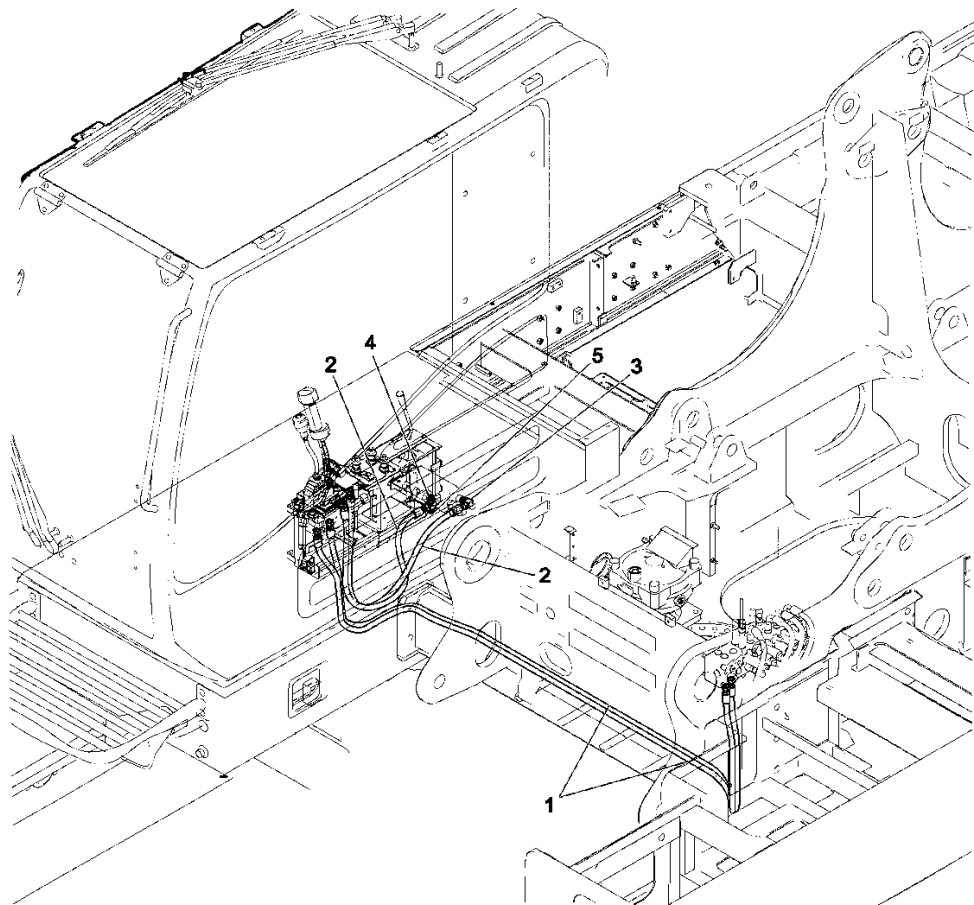
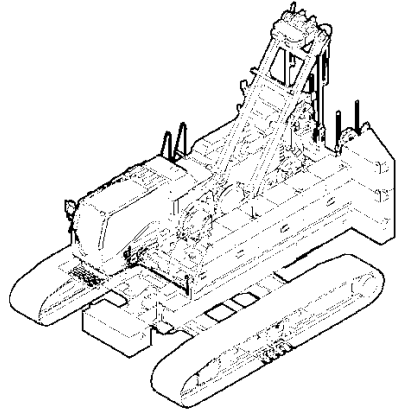
9999430887

Revision:

Item	FN	Part	Qty	Description
1		9999431131	2	ELBOW
2		9999406548	2	PLUG
3		9999407873	1	CONNECTOR
4		9999423224	1	CONNECTOR
5		9999424059	1	CONNECTOR
6		9999423223	1	CONNECTOR
7		9999429802	1	CONNECTOR
8		9999423222	1	CONNECTOR
9		9999431127	1	CONNECTOR

Manitowoc

CONTROL LINES, FLOOR
UNDER FLOOR PLATE / THIRD / OPT.



Manitowoc

Description

CNTRL LINES, FLOOR UNDER FLOOR PLATE / 3RD

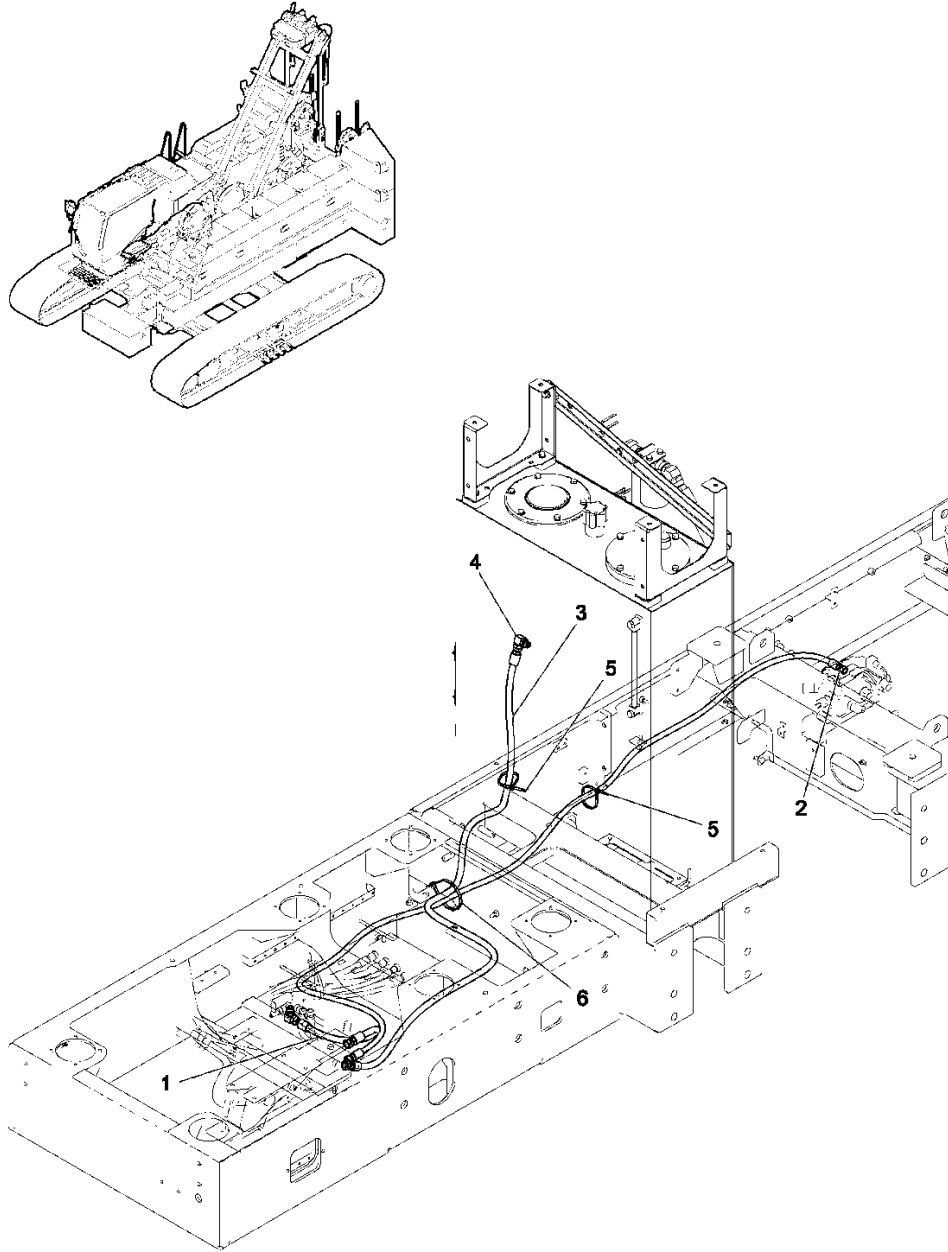
Assembly No.

9999430860

Revision:

Item	FN	Part	Qty	Description
1		9999424911	2	HOSE ASSY
2		9999432271	2	HOSE ASSY
3		9999424488	1	ELBOW, 90
4		9999430611	1	TEE
5		9999424448	1	PLUG

CONTROL LINES, FLOOR UNDER FLOOR PLATE / THIRD / OPT.



Manitowoc

Description

CNTRL LINES, FLOOR UNDER FLOOR PLATE / 3RD

Assembly No.

9999430861

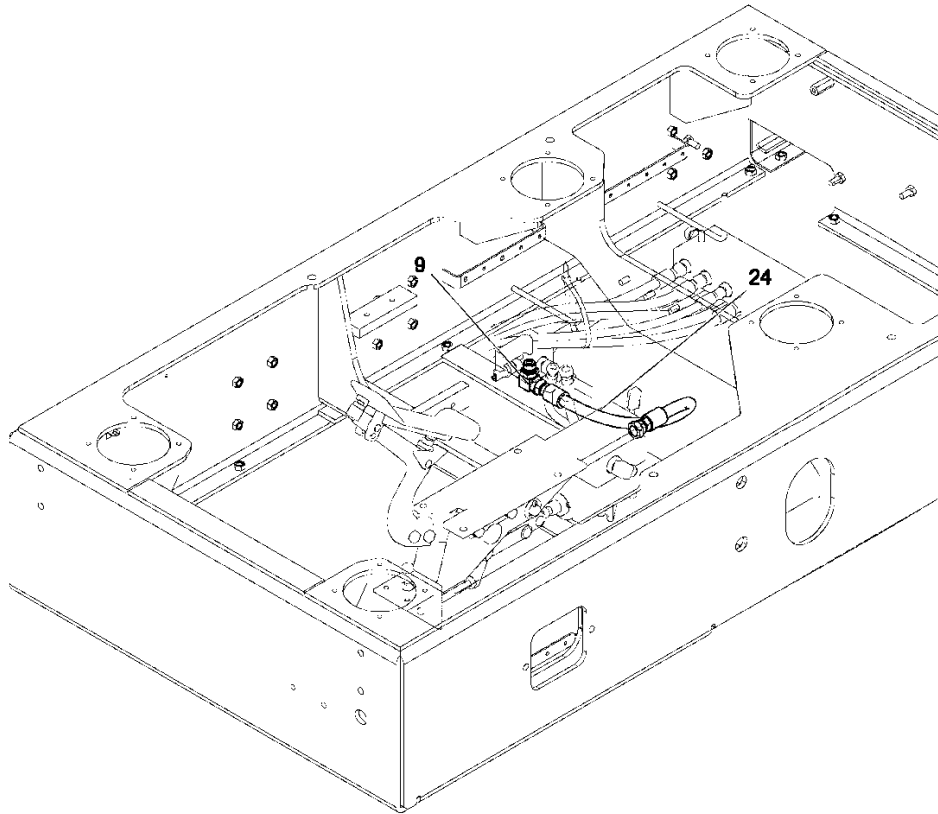
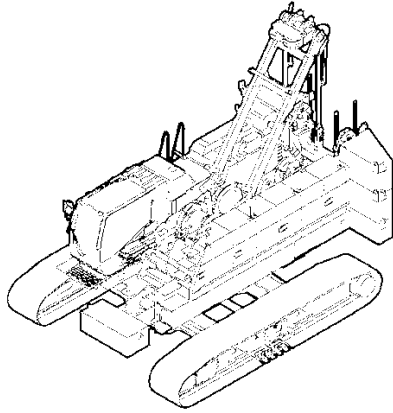
Revision:

Item	FN	Part	Qty	Description
1	+	9999430836	1	ACCUMULATOR INSTAL W/ FREE FALL / 3RD
2		9999432279	1	HOSE ASSY
3		9999420608	1	HOSE ASSY
4		9999424490	1	ELBOW, 90
5		9999406274	2	CLIP
6		9999406275	1	CLIP

+ SEE FURTHER BREAKDOWN THIS GROUP

Manitowoc

ACCUMULATOR INSTAL
WITH FREE FALL / THIRD / OPT.



Manitowoc

Description

ACCUMULATOR INSTAL W/ FREE FALL / 3RD

Assembly No.

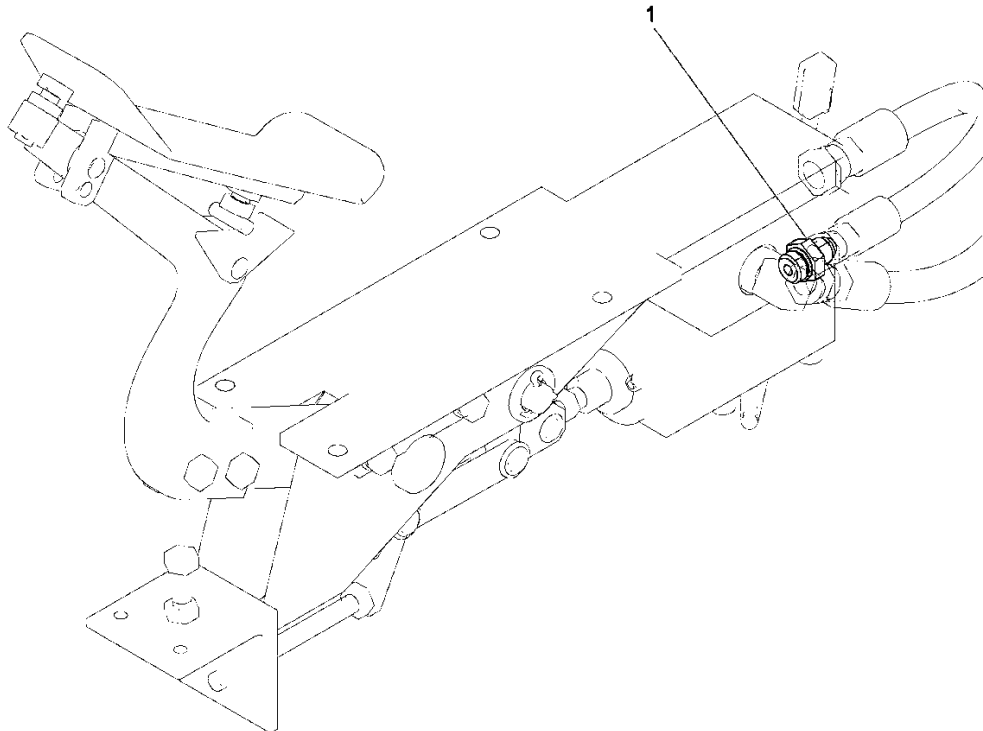
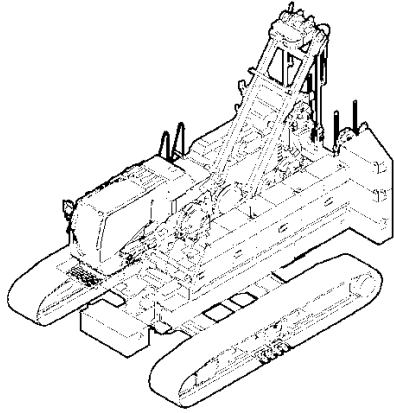
9999430836

Revision:

Item	FN	Part	Qty	Description
9		9999424490	1	ELBOW, 90
24		9999432289	1	HOSE ASSY

Manitowoc

CONTROL LINES, FLOOR
UNDER FLOOR PLATE / BRAKE MASTER UNIT CONNECTOR / THIRD / OPT.



Manitowoc

Description

**CNTRL LINES, FLOOR UNDER FLOOR PLATE / BRAKE MASTER UNIT
CONNECTOR / 3RD**

Assembly No.

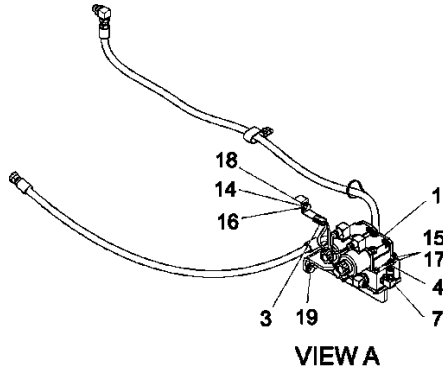
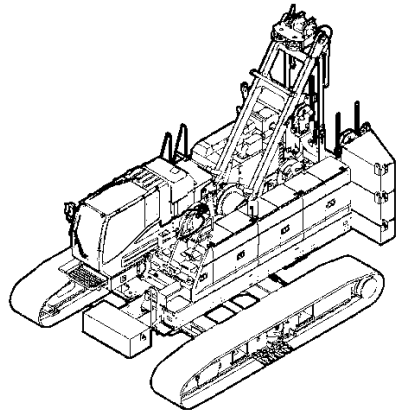
9999430862

Revision:

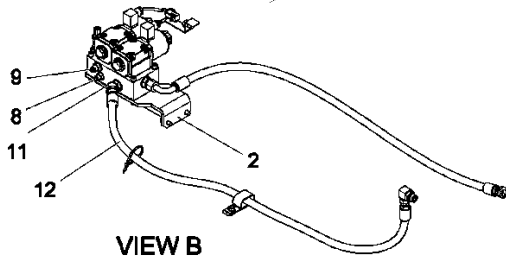
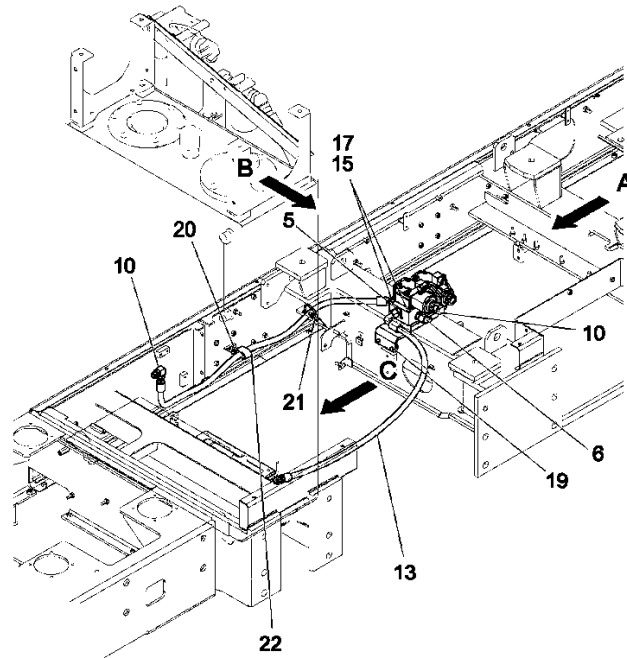
Item	FN	Part	Qty	Description
1		9999424474	1	CONNECTOR

Manitowoc

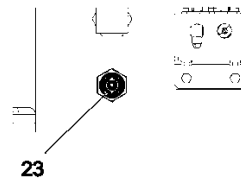
VALVE INSTAL
CLUTCH VALVE / THIRD / OPT.



VIEW A



VIEW B



VIEW C

Manitowoc

Description

VALVE INSTAL CLUTCH / 3RD

Assembly No.

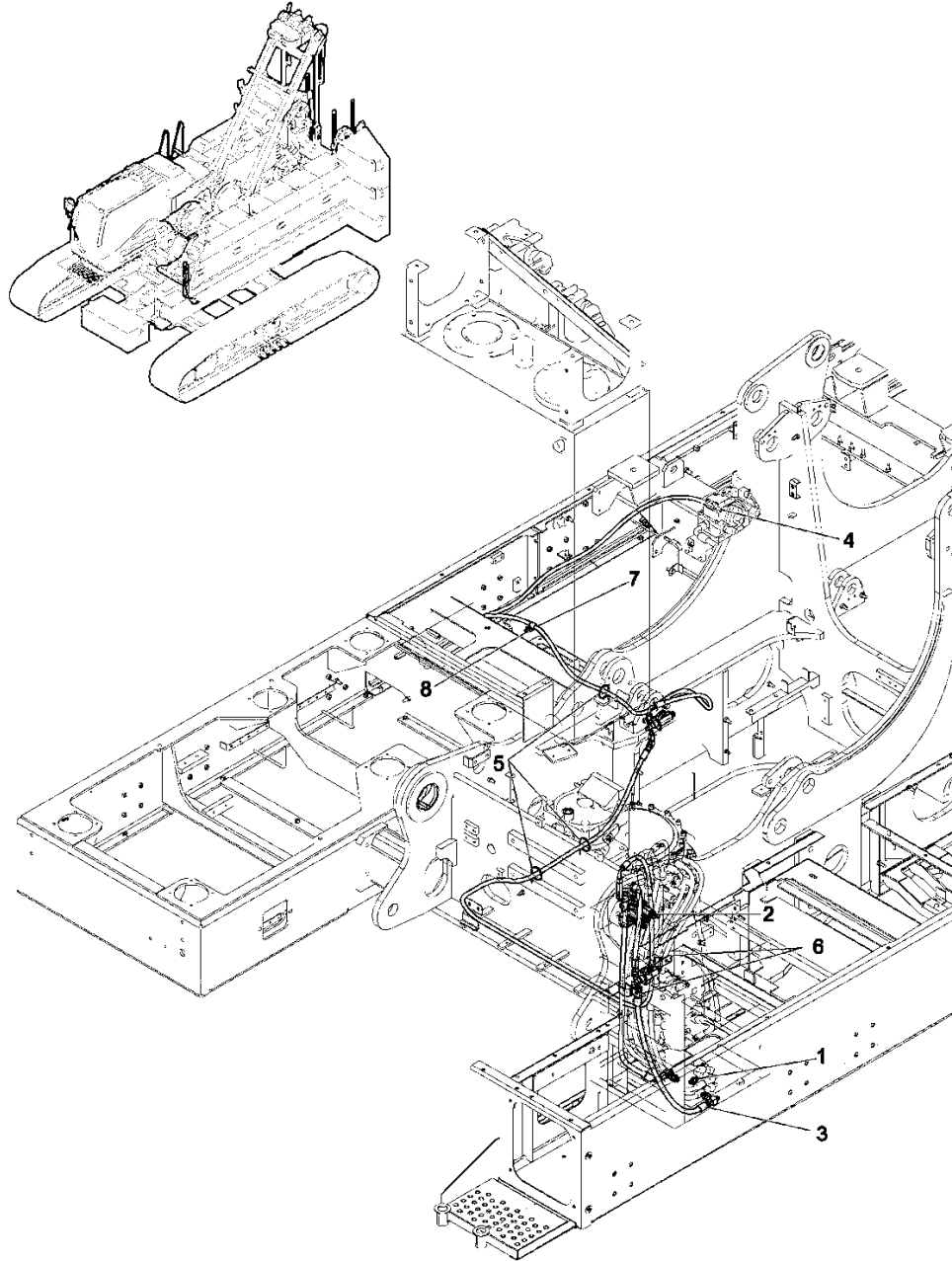
9999431023

Revision:

Item	FN	Part	Qty	Description
1		9999408095	1	VALVE ASSY, SOLENOID
2		9999432010	1	BRKT
3		9999431281	1	PLATE
4		9999426022	1	SENSOR, PRESS
5		9999408701	1	CONNECTOR
6		9999424060	1	ELBOW, 90
7		9999424358	1	ELBOW, 90
8		9999424475	1	CONNECTOR
9		9999424477	1	CONNECTOR
10		9999424490	2	ELBOW, 90
11		9999424498	1	ELBOW, 45
12		9999432290	1	HOSE ASSY
13		9999432329	1	HOSE ASSY
14		9999424877	1	LOCK WASHER
15		9999424866	4	LOCK WASHER
16		9999424855	1	WASHER,
17		9999429520	4	CAPSCR
18		9999424693	1	BOLT
19		9999424526	2	SEMS-BOLT
20		9999408711	1	NUT
21		9999406274	1	CLIP
22		9999431146	1	CLIP
23		9999407989	1	VALVE ASSY

Manitowoc

HYD LINES, 3RD
LEFT FRONT DECK CONTROL / THIRD / OPT.



Manitowoc

Description
HYD LINES, 3RD LH FRT DECK CNTRL

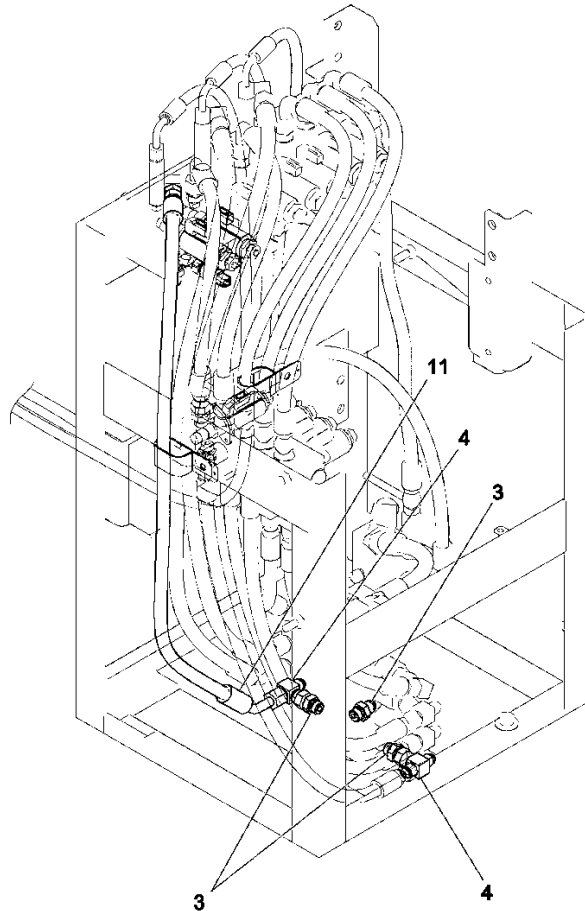
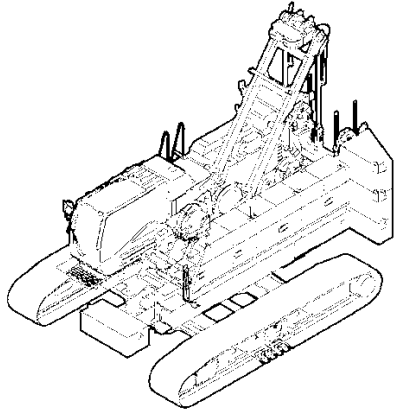
Assembly No.
9999430965
 Revision:

Item	FN	Part	Qty	Description
1	+	9999431029	1	VALVE INSTAL 4-SECTION VALVE / 3RD
2	+	9999431027	1	VALVE INSTAL 8-SECTION / 3RD
3	+	9999431025	1	VALVE INSTAL 5-SECTION VALVE / 3RD
4	+	9999431031	1	VALVE INSTAL 3-SECTION / 3RD
5		9999406274	3	CLIP
6		9999431146	2	CLIP
7		9999419252	1	CLIP
8		9999408711	1	NUT

+ SEE FURTHER BREAKDOWN THIS GROUP

Manitowoc

VALVE INSTAL
4-SECTION VALVE / THIRD / OPT.



Manitowoc

Description

VALVE INSTAL 4-SECTION VALVE / 3RD

Assembly No.

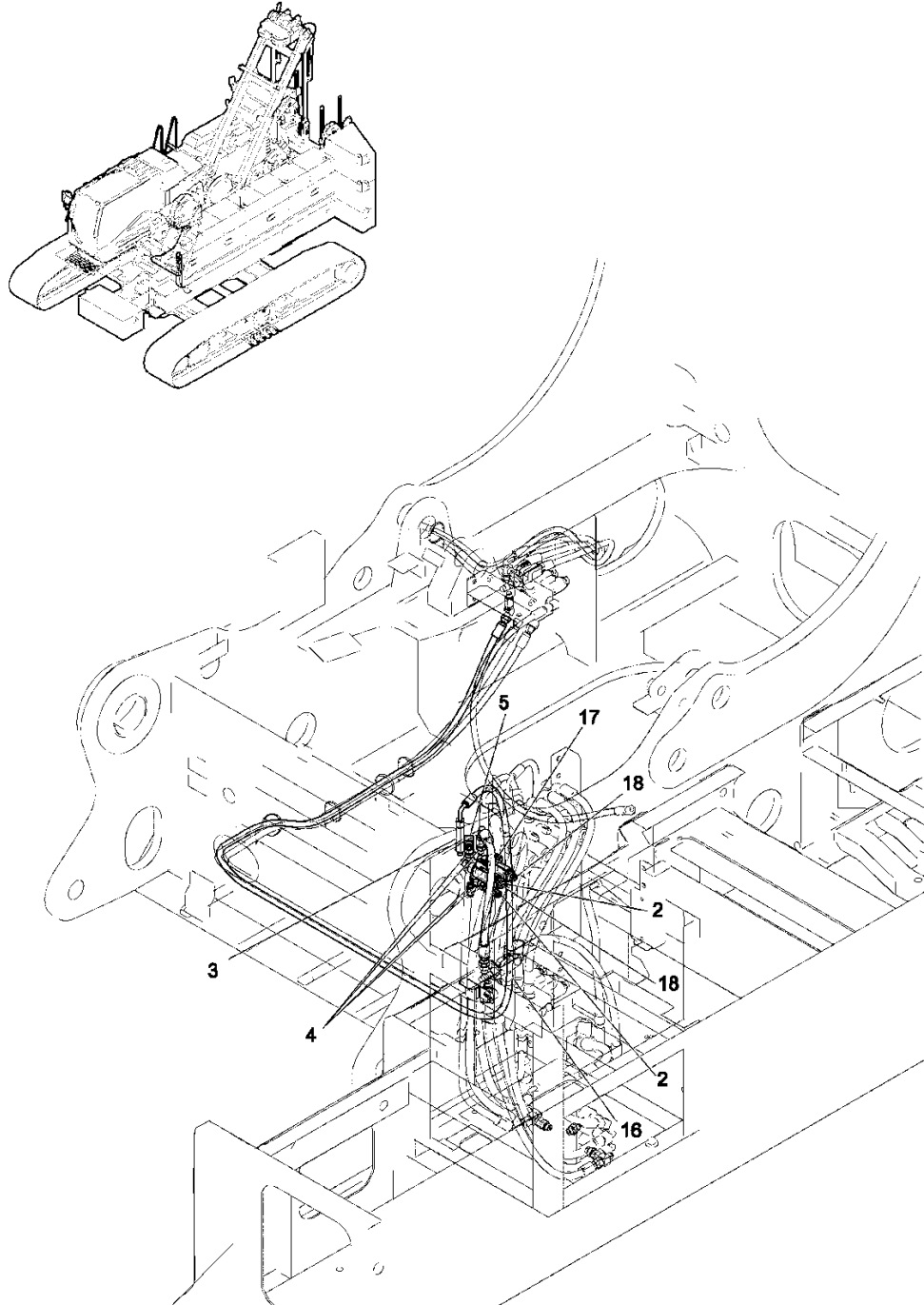
9999431029

Revision:

Item	FN	Part	Qty	Description
3		9999424477	3	CONNECTOR
4		9999431138	2	TEE
11		9999432341	1	HOSE ASSY

Manitowoc

VALVE INSTAL
8-SECTION VALVE / THIRD / OPT.



Manitowoc

Description

VALVE INSTAL 8-SECTION / 3RD

Assembly No.

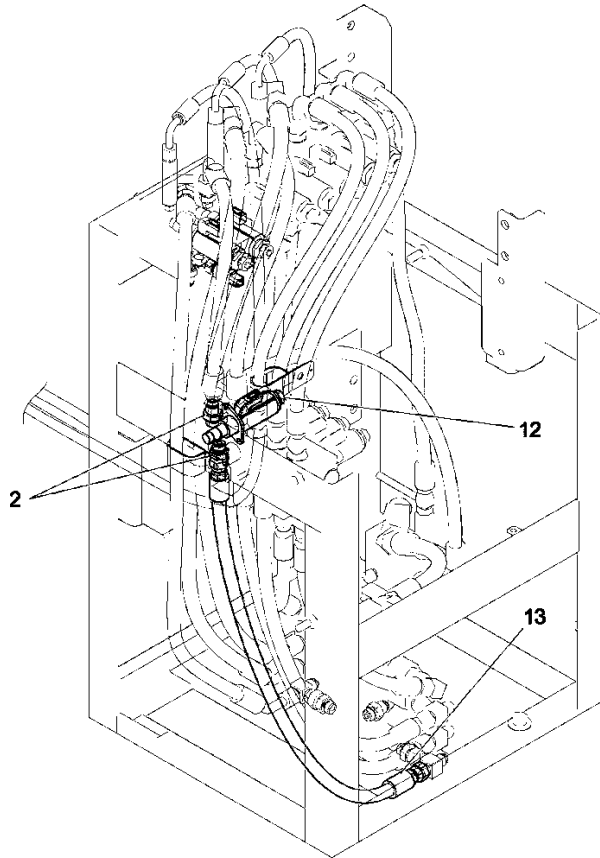
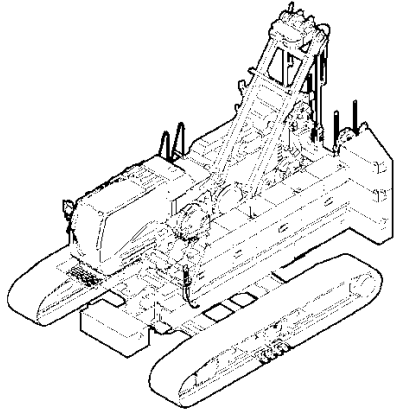
9999431027

Revision:

Item	FN	Part	Qty	Description
2		9999430134	2	SENSOR, PRESS
3		9999432052	1	CONNECTOR
4		9999422541	4	CONNECTOR
5		9999427930	1	ELBOW
16		9999432323	1	HOSE ASSY
17		9999432324	1	HOSE ASSY
18		9999432169	2	VALVE, SOLENOID

Manitowoc

VALVE INSTAL
5-SECTION VALVE / THIRD / OPT.



Manitowoc

Description

VALVE INSTAL 5-SECTION VALVE / 3RD

Assembly No.

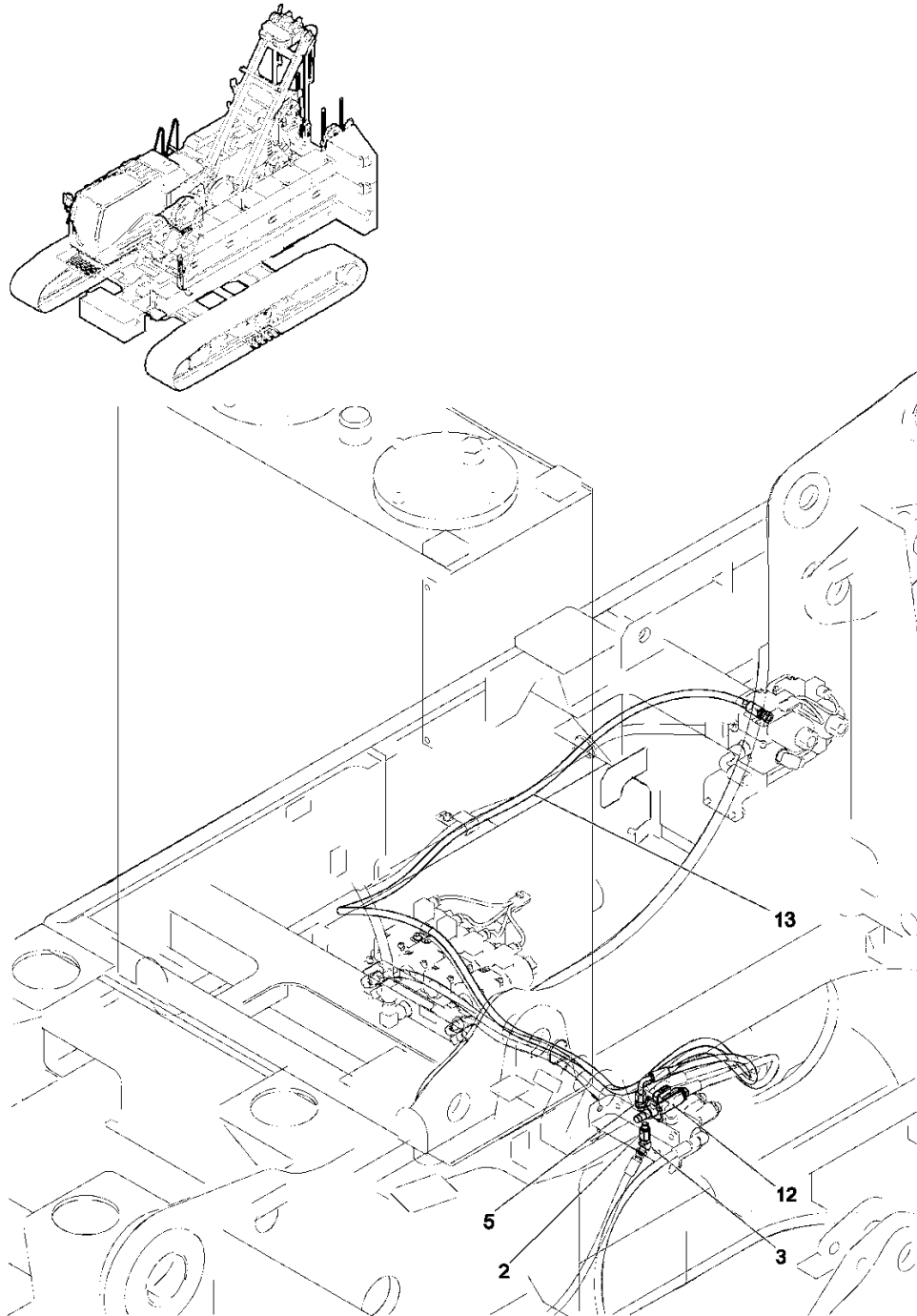
9999431025

Revision:

Item	FN	Part	Qty	Description
2		9999424477	2	CONNECTOR
12		9999432170	1	VALVE, SOLENOID
13		9999432267	1	HOSE ASSY

Manitowoc

VALVE INSTAL
3-SECTION VALVE / THIRD / OPT.



Manitowoc

Description

VALVE INSTAL 3-SECTION / 3RD

Assembly No.

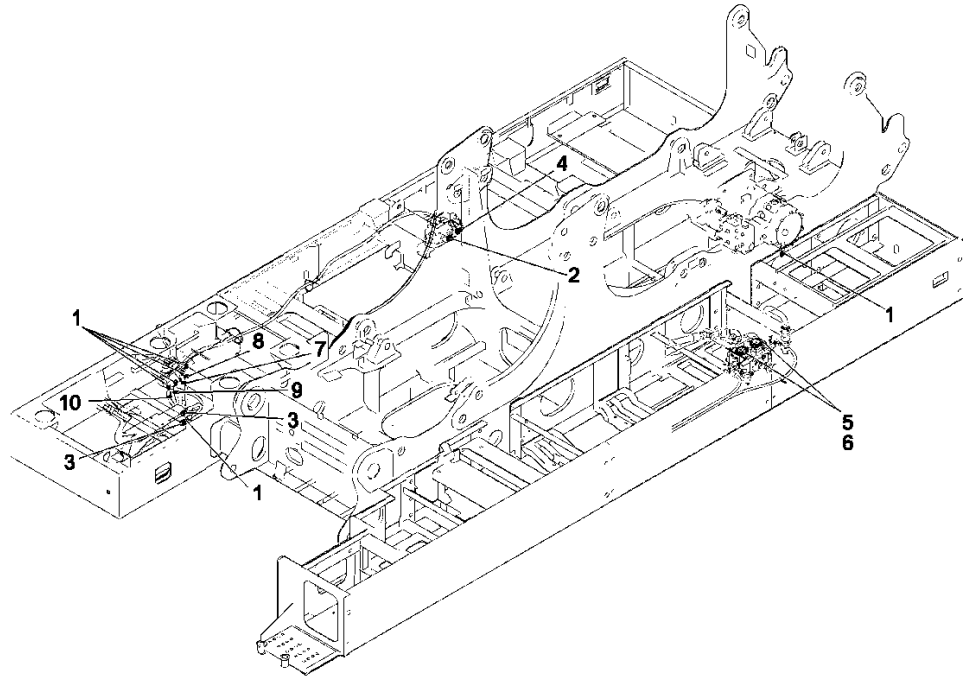
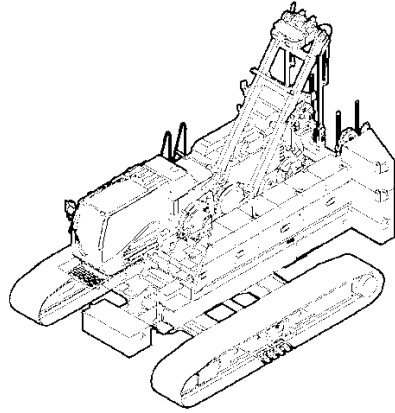
9999431031

Revision:

Item	FN	Part	Qty	Description
2		9999431165	1	CONNECTOR
3		9999424496	1	ELBOW, 45
5		9999424475	1	CONNECTOR
12		9999432170	1	VALVE, SOLENOID
13		9999432321	1	HOSE ASSY

Manitowoc

HYD LINES, 3RD
PLUG INSTAL / THIRD / OPT.



Manitowoc

Description

HYD LINES, PLUG INSTAL 3RD

Assembly No.

9999430967

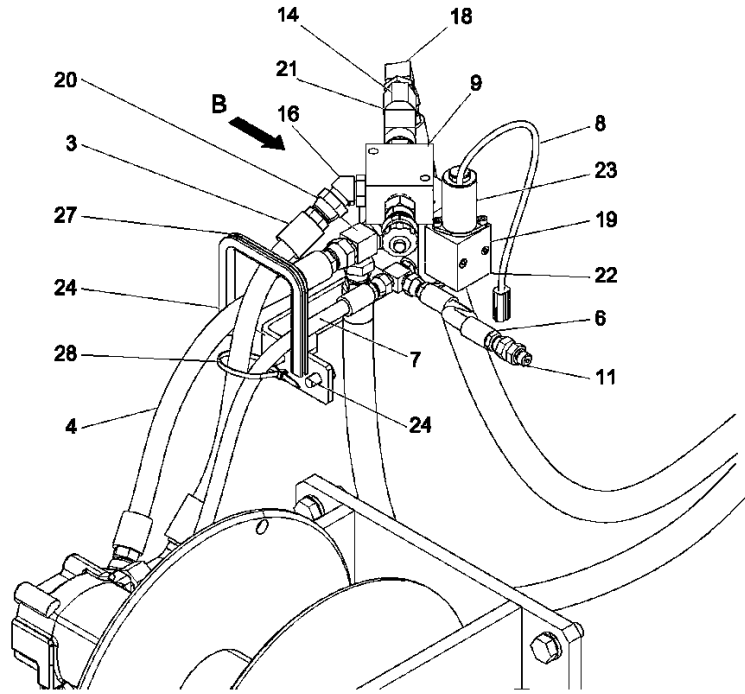
Revision:

Item	FN	Part	Qty	Description
1		9999422546	6	PLUG
2		9999422317	1	PLUG
3		9999422547	2	PLUG
4		9999422548	1	PLUG
5		9999424434	2	O-RING
6		9999426459	2	PLUG
7		9999432121	1	CLIP
8		9999432122	1	CLIP
9		9999432123	1	CLIP
10		9999432124	1	CLIP

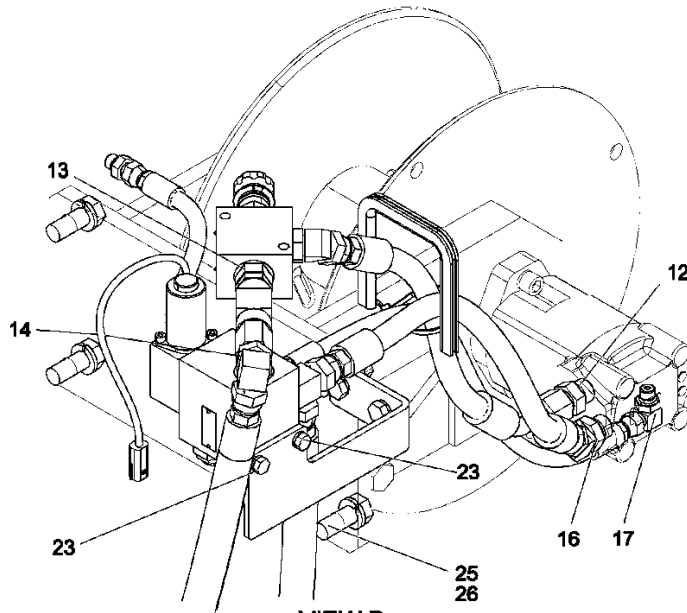
Manitowoc

Notes

Manitowoc



DETAIL A



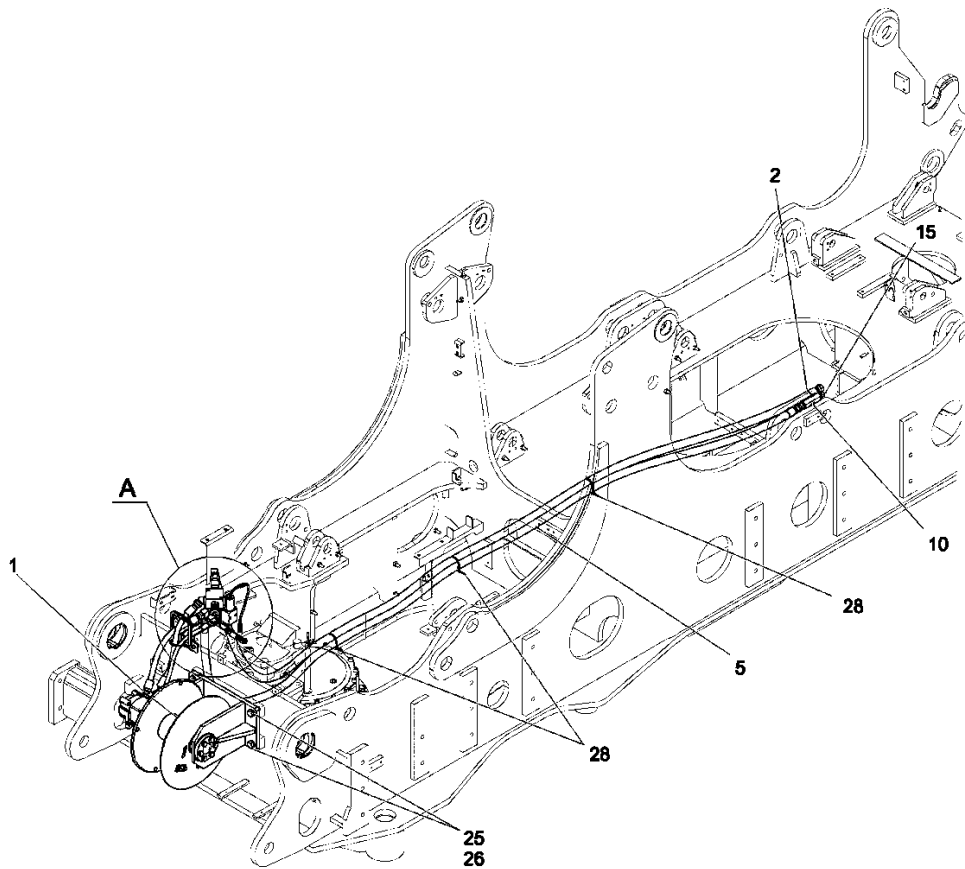
VIEW B

9999430987

(SHEET 2 OF 2)

Manitowoc

HYD LINES, TAGLINE
OPT.



Manitowoc

Description
HYD LINES, TAGLINE

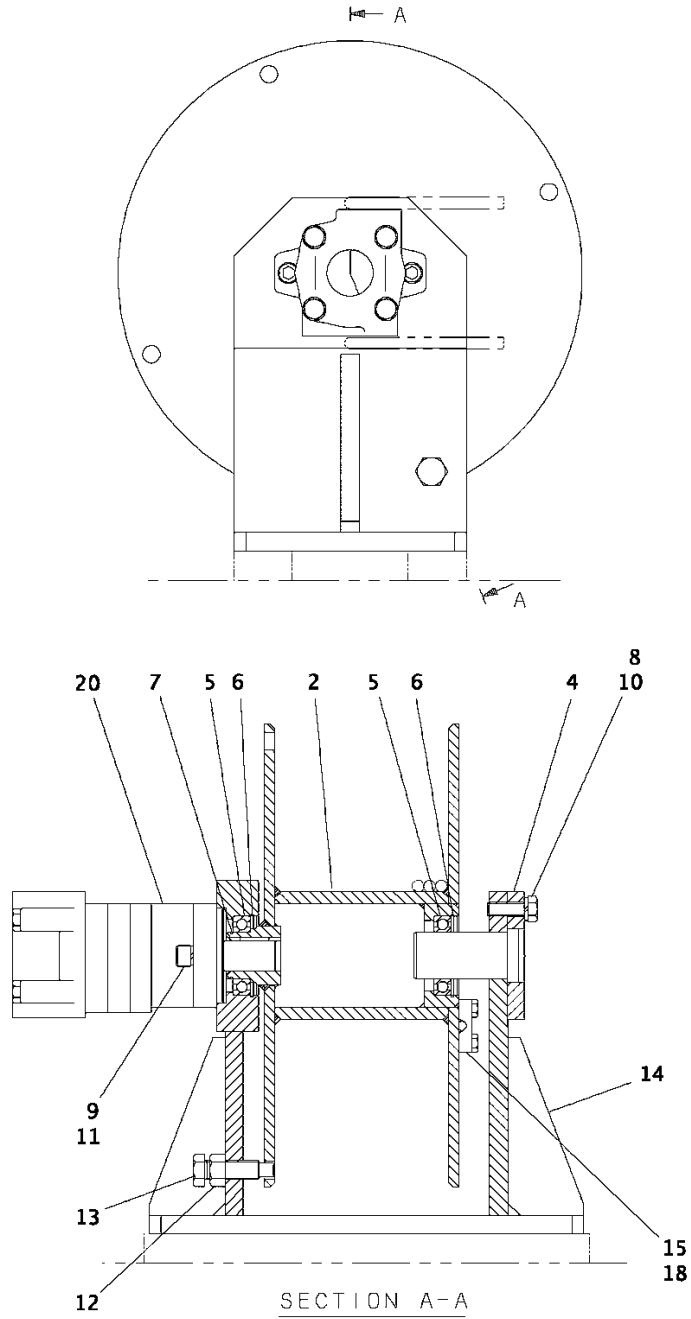
Assembly No.
9999430987
Revision:

Item	FN	Part	Qty	Description
1	+	9999425419	1	TAGLINE ASSY
2		9999432351	1	HOSE ASSY
3		9999432348	1	HOSE ASSY
4		9999432295	1	HOSE ASSY
5		9999432350	1	HOSE ASSY
6		9999432242	1	HOSE ASSY
7		9999429686	1	HOSE ASSY
8		9999406980	1	VALVE ASSEMBLY - SOLENOID 12 VOLT
9		9999427935	1	VALVE, CONTROL, FLOW
10		9999431174	1	VALVE ASSY, CHECK
11		9999424475	1	CONNECTOR
12		9999424479	1	CONNECTOR
13		9999405278	1	CONNECTOR
14		9999429425	2	CONNECTOR
15		9999405280	1	CONNECTOR
16		9999424498	2	ELBOW, 45
17		9999424486	1	ELBOW, 90
18		9999424490	1	ELBOW, 90
19		9999422540	1	TEE
20		9999405225	1	TEE
21		9999428306	1	TEE
22		9999431927	1	BRKT
23		9999424513	2	SEMS-BOLT
24		9999424510	2	SEMS-BOLT
25		9999424718	4	CAPSCREW
26		9999421388	4	LOCK WASHER
27		9999404122	1	TRIM
28		9999406274	4	CLIP

+ SEE FURTHER BREAKDOWN THIS GROUP

Manitowoc

TAGLINE ASSY



Manitowoc

Description
TAGLINE ASSY

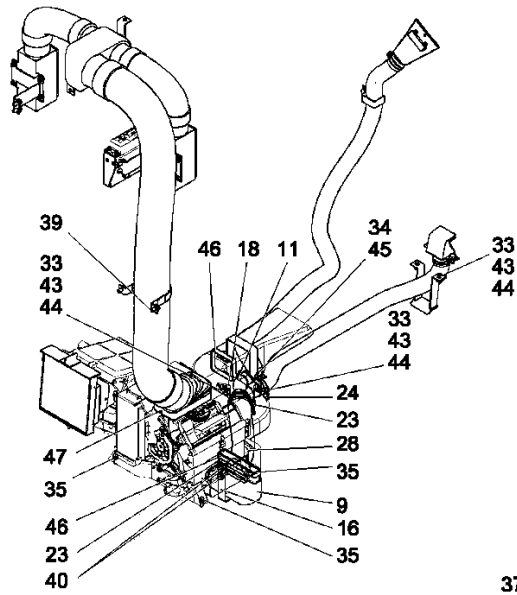
Assembly No.
9999425419
Revision:

Item	FN	Part	Qty	Description
2		9999425389	1	DRUM, WINCH
4		9999425420	1	SHAFT
5		9999408839	2	BEARING
6		9999419906	2	RING
7		9999424628	1	RING, RETAINING
8		9999424704	6	CAPSCREW
9		9999424771	2	CAPSCREW
10		9999421387	6	LOCK WASHER
11		9999424868	2	LOCK WASHER
12		9999424569	1	NUT
13		9999403328	1	CAPSCREW
14		9999425662	1	BRACKET
15		9999400586	1	CLAMP
18		9999424513	2	SEMS-BOLT
20		9999430699	1	MOTOR, HYD

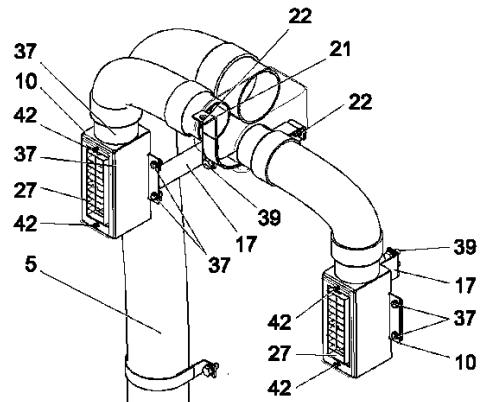
Manitowoc

Notes

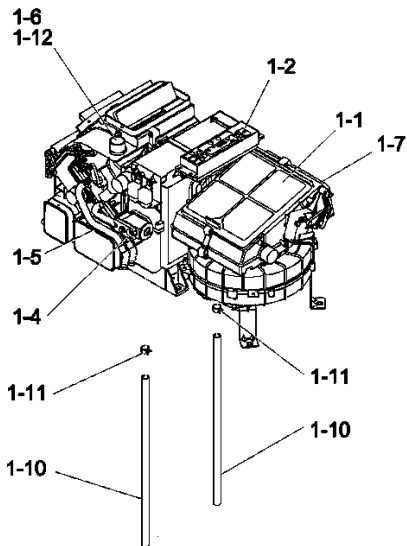
Manitowoc



VIEW A



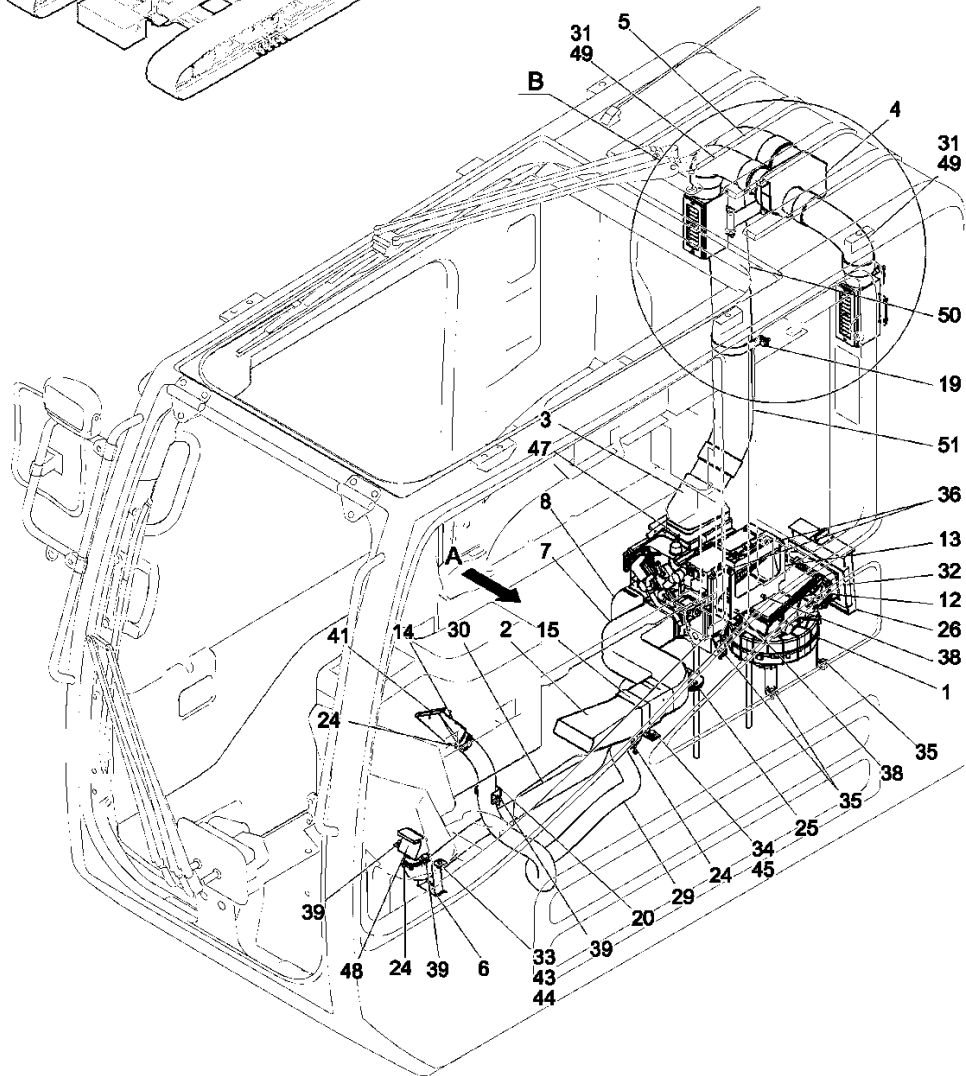
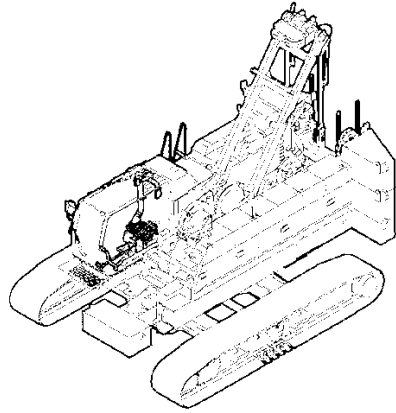
DETAIL B



DETAIL ITEM 1

Manitowoc

CONDITIONER INSTAL IN CAB



Manitowoc

Description

CONDITIONER INSTAL IN CAB

Assembly No.

9999430890

Revision:

Item	FN	Part	Qty	Description
1		9999431427	1	CONDITIONER ASSY,AIR
1-1		9999431429	1	CONDITIONER, AIR
1-2		9999431800	1	SWITCH ASSY, PANEL
1-4		9999431150	1	PLATE
1-5		9999432178	1	MACHINE SCR
1-6		9999432176	1	BAND
1-7		9999432142	2	CLIP
1-10		9999431151	2	HOSE
1-11		9999422880	3	CLIP
1-12		9999432177	1	CAP
2		9999422859	1	DUCT
3		9999431440	1	DUCT
4		9999431441	1	DUCT
5		9999431444	1	HOSE
6		9999431450	1	GUARD
7		9999431433	1	DUCT
8		9999431434	1	DUCT
9		9999431435	1	DUCT
10		9999431436	2	BOX
11		9999422867	1	DUCT
12		9999432145	1	DUCT
13		9999431451	1	BRKT
14		9999431438	1	NOZZLE
15		9999422861	1	BRACKET
16		9999431437	1	BRKT
17		9999431449	2	BRKT
18		9999422868	1	BRACKET
19		9999431442	1	CLAMP
20		9999431439	1	CLAMP
21		9999431443	1	CLAMP
22		9999408711	2	NUT
23		9999406882	2	BAND
24		9999406881	4	BAND
25		9999432144	1	GROMMET

Manitowoc

Description

CONDITIONER INSTAL IN CAB

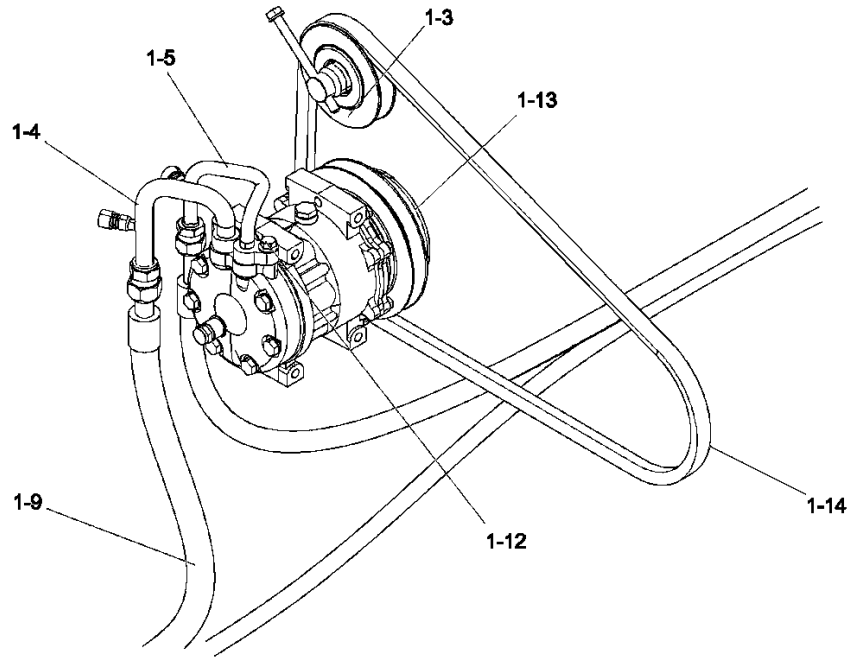
Assembly No.

9999430890

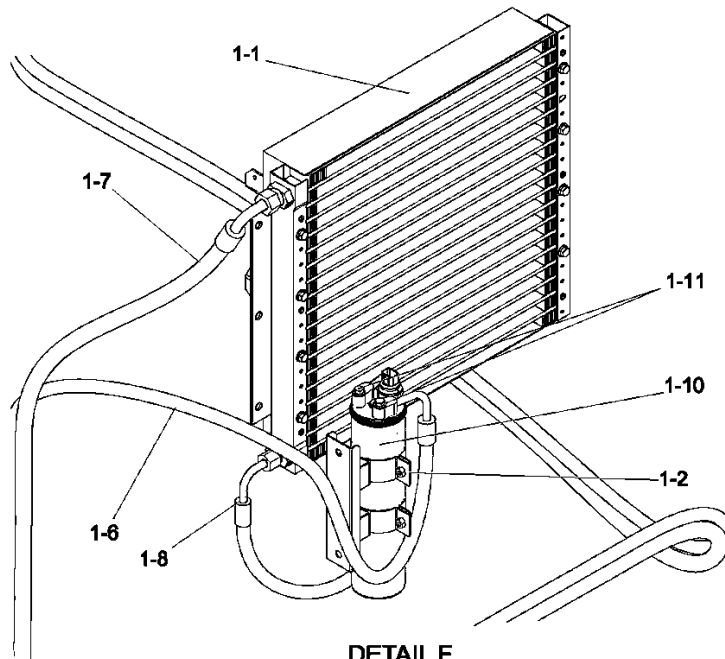
Revision:

Item	FN	Part	Qty	Description
26		9999432171	1	FILTER
27		9999432143	2	GRILLE
28		9999431170	1	HOSE
29		9999430015	1	HOSE
30		9999431171	1	DUCT
31		9999422710	2	HOSE ASSY, USE AS REQUIRED
32		9999432146	1	RUBBER
33		9999424691	4	CAPSCREW
34		9999424510	2	SEMS-BOLT
35		9999424520	6	SEMS-BOLT
36		9999424535	4	SEMS-BOLT
37		9999432206	8	SEMS-BOLT
38		9999432209	2	SEMS-BOLT
39		9999432210	9	SEMS-BOLT
40		9999432211	2	SEMS-BOLT
41		9999424537	2	SEMS-BOLT
42		9999432141	4	MACHINE SCR
43		9999424855	4	WASHER,
44		9999424877	4	LOCK WASHER
45		9999422194	2	WASHER,
46		9999431172	2	INSULATION
47		9999432239	2	SCR, TAPPING
48		9999431454	1	NOZZLE
49		9999431430	2	INSULATION
50		9999431456	1	INSULATION
51		9999431457	1	INSULATION

Manitowoc

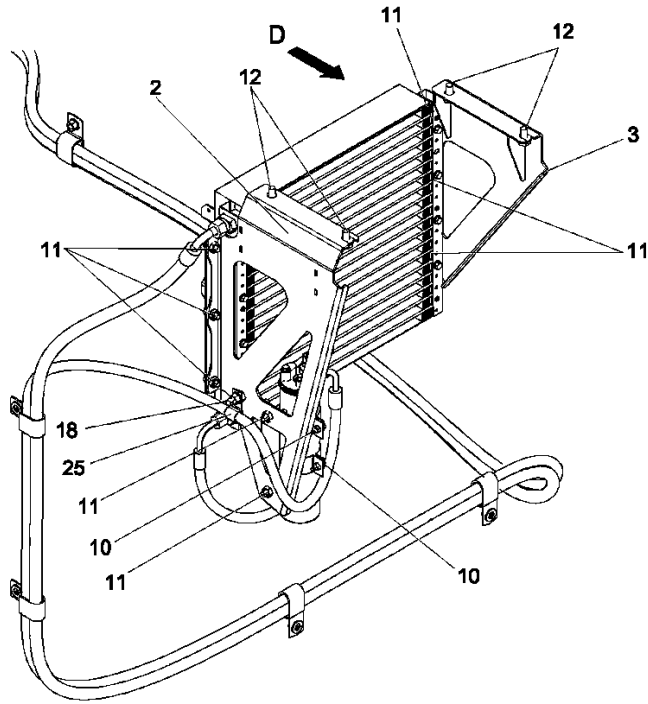


DETAIL E

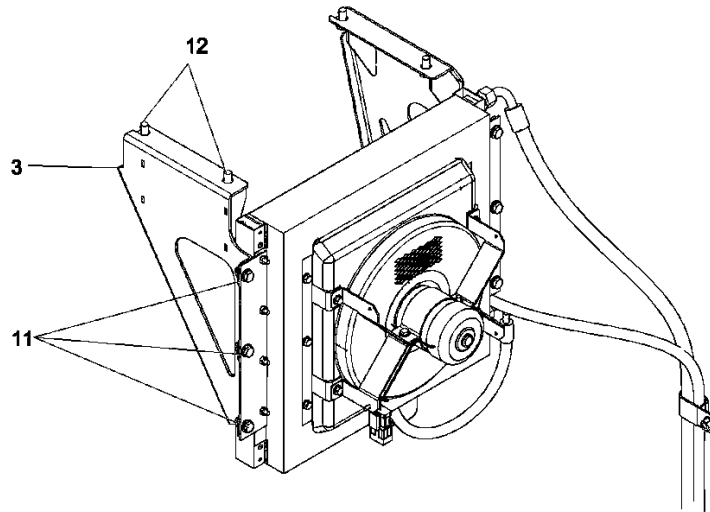


DETAIL F

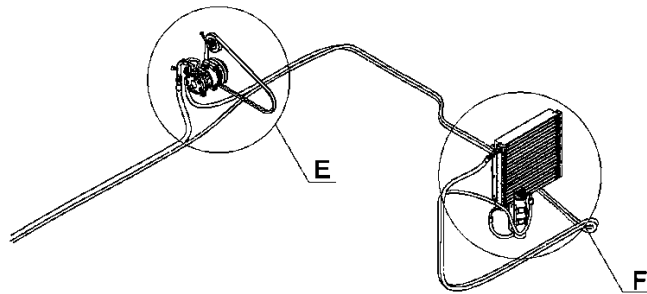
Manitowoc



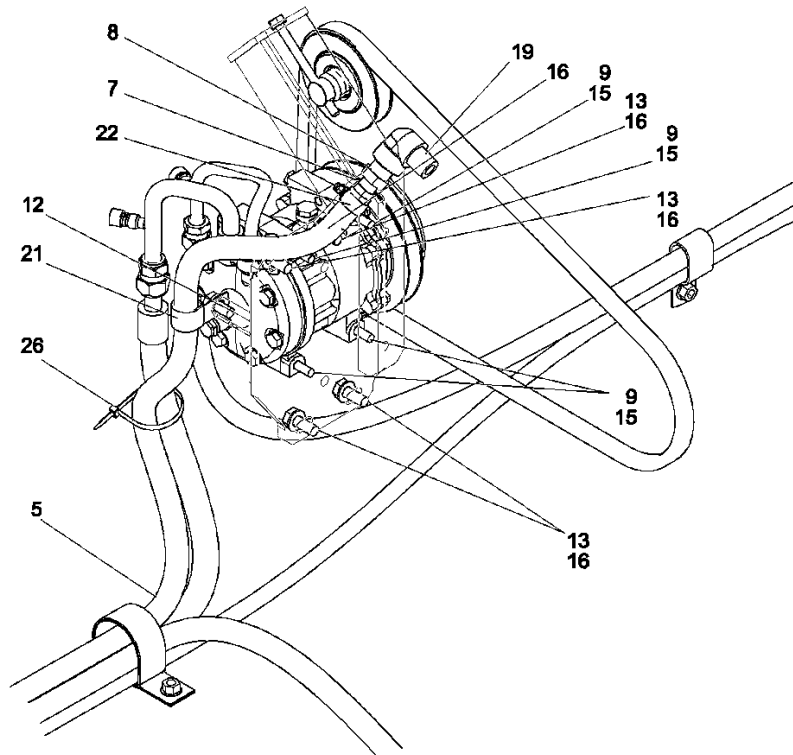
VIEW C



VIEW D



DETAIL ITEM 1



DETAIL B

Manitowoc

Description

CONDITIONER INSTAL OUT CAB

Assembly No.

9999430889

Revision:

Item	FN	Part	Qty	Description
1		9999431428	1	CONDITIONER ASSY,AIR
1-1		9999431149	1	CONDENSER
1-2		9999432148	1	BRKT
1-3		9999432149	1	PULLEY ASSY
1-4		9999431431	1	TUBE LINE
1-5		9999431432	1	TUBE LINE
1-6		9999431453	1	HOSE ASSY
1-7		9999431447	1	HOSE ASSY
1-8		9999431448	1	HOSE ASSY
1-9		9999431452	1	HOSE ASSY
1-10		9999432174	1	RECEIVER
1-11		9999432179	2	CAPSCR
1-12		9999422863	2	BOLT
1-13		9999423817	1	COMPRESSOR
1-14		9999432147	1	V-BELT
2		9999431445	1	BRKT
3		9999431446	1	BRKT
4		9999431455	1	BRKT
5		9999432136	1	HOSE
6		9999426234	1	HOSE
7		9999428616	2	CONNECTOR
8		9999428813	2	BUSHING
9		9999424690	4	CAPSCREW
10		9999432207	2	SEMS-BOLT
11		9999432208	8	SEMS-BOLT
12		9999432210	5	SEMS-BOLT
13		9999421368	4	CAPSCREW
15		9999424854	4	WASHER,
16		9999424855	15	WASHER,
18		9999408711	12	NUT
19		9999432191	1	ELBOW, 90
20		9999419253	8	CLIP
21		9999424394	2	CLIP
22		9999419237	4	CLAMP, HOSE

Manitowoc

Description

CONDITIONER INSTAL OUT CAB

Assembly No.

9999430889

Revision:

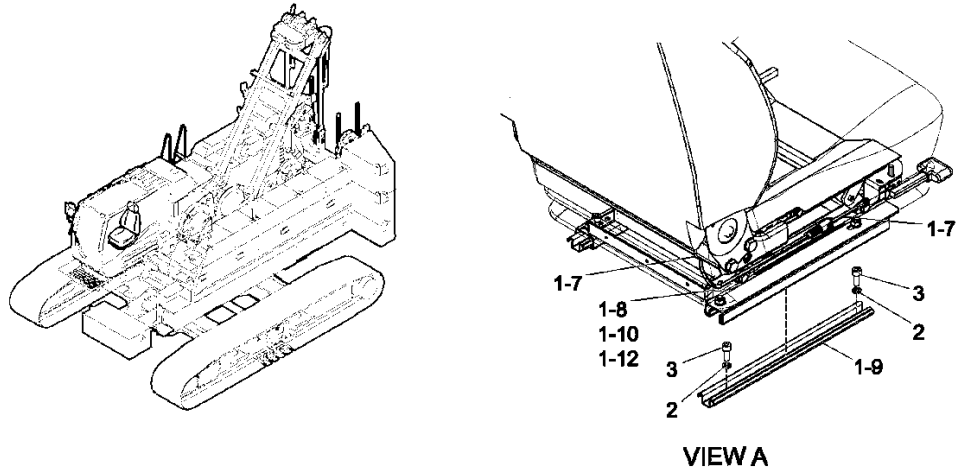
Item	FN	Part	Qty	Description
23		9999406275	1	CLIP
24		9999406555	2	CLIP
25		9999419252	1	CLIP
26		9999422675	1	CLIP
27		9999406278	2	CLIP
28		9999431079	2	GUARD

Manitowoc

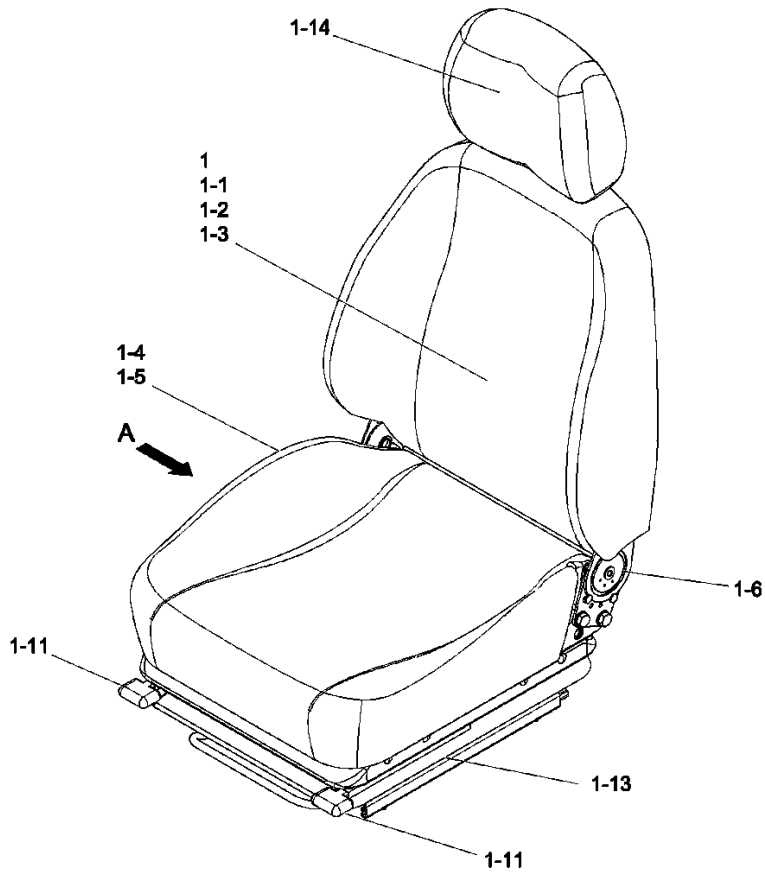
Notes

Manitowoc

SEAT INSTAL OPERATOR SEAT



VIEW A



Manitowoc

Description

OPERATOR SEAT INSTAL

Assembly No.

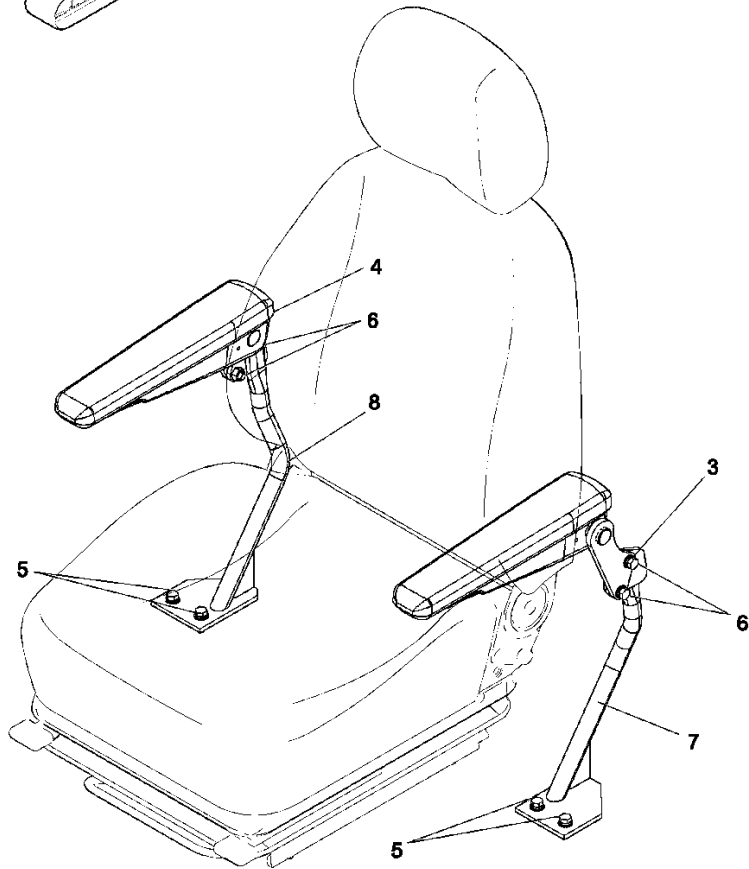
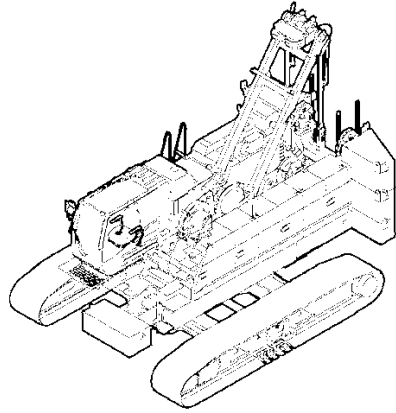
9999430915

Revision:

Item	FN	Part	Qty	Description
1		9999432154	1	SEAT ASSY
1-1		9999432155	1	SEAT ASSY
1-2		9999432156	1	COVER
1-3		9999432157	1	PAD
1-4		9999432158	1	COVER
1-5		9999432159	1	SEAT
1-6		9999432160	1	FRAME
1-7		9999432161	1	CABLE
1-8		9999432162	1	SPRG
1-9		9999432167	1	RAIL
1-10		9999426440	1	BRACKET
1-11		9999426441	1	HANDLE
1-12		9999432128	1	ADJUSTER
1-13		9999426443	1	COVER
1-14		9999432163	1	SUPPORT
2		9999424760	4	CAPSCREW
3		9999424866	4	LOCK WASHER

Manitowoc

ARM REST OPERATOR SEAT



Manitowoc

Description

ARM REST OPERATOR SEAT

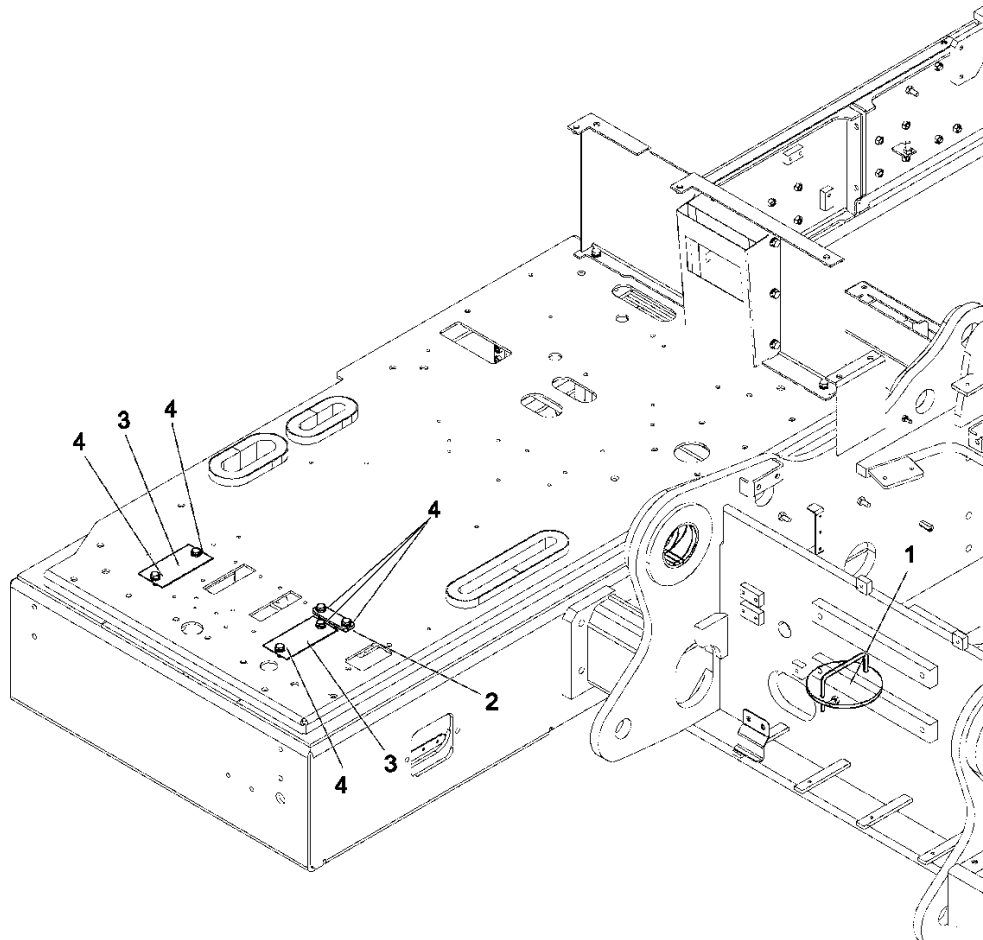
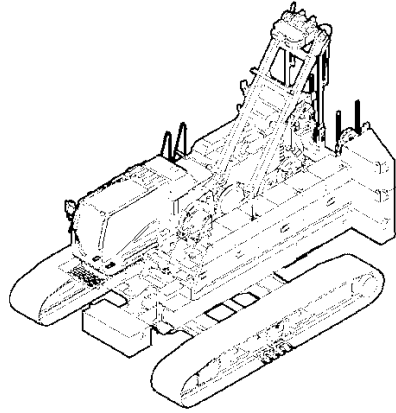
Assembly No.

9999430916

Revision:

Item	FN	Part	Qty	Description
3		9999432165	1	ARM REST
4		9999432166	1	ARM REST
5		9999424525	4	SEMS-BOLT
6		9999432196	4	SEMS-BOLT
7		9999431623	1	BRKT
8		9999431624	1	BRKT

UPP FINAL
FOOT ACCELERATOR PEDAL HOLE COVER (RIGHT & LEFT)



Manitowoc

Description

**UPP FINAL FOOT ACCELERATOR PEDAL HOLE COVER
RH & LH**

Assembly No.

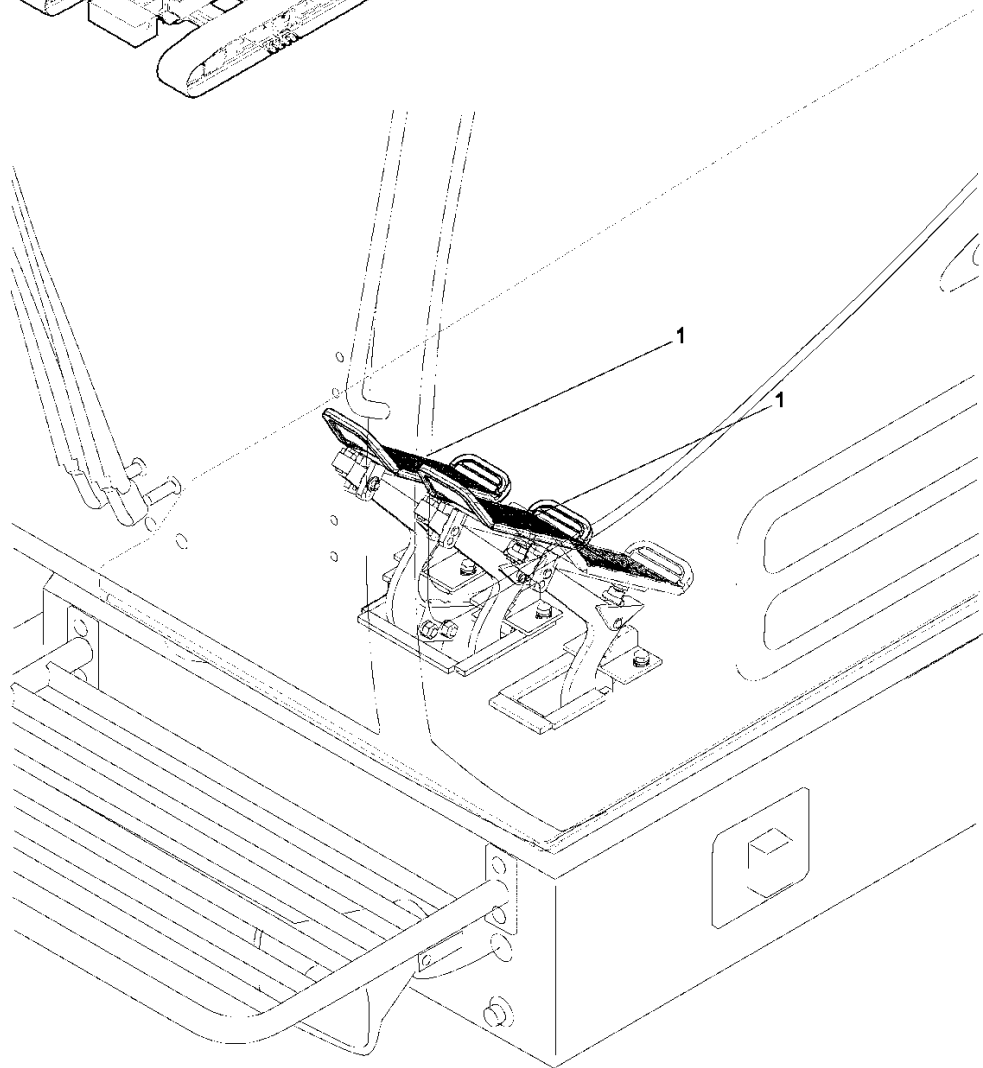
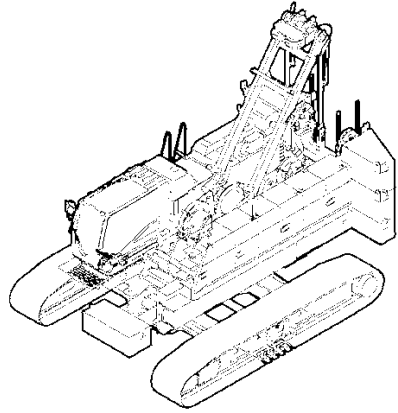
9999431043

Revision:

Item	FN	Part	Qty	Description
1		9999430103	1	COVER
2		9999431943	1	BRKT
3		9999431309	2	COVER
4		9999432210	6	SEMS-BOLT

Manitowoc

UPP FINAL
FRONT, REAR PEDAL COVER



Manitowoc

Description

UPP FINAL FRT, RR PEDAL COVER

Assembly No.

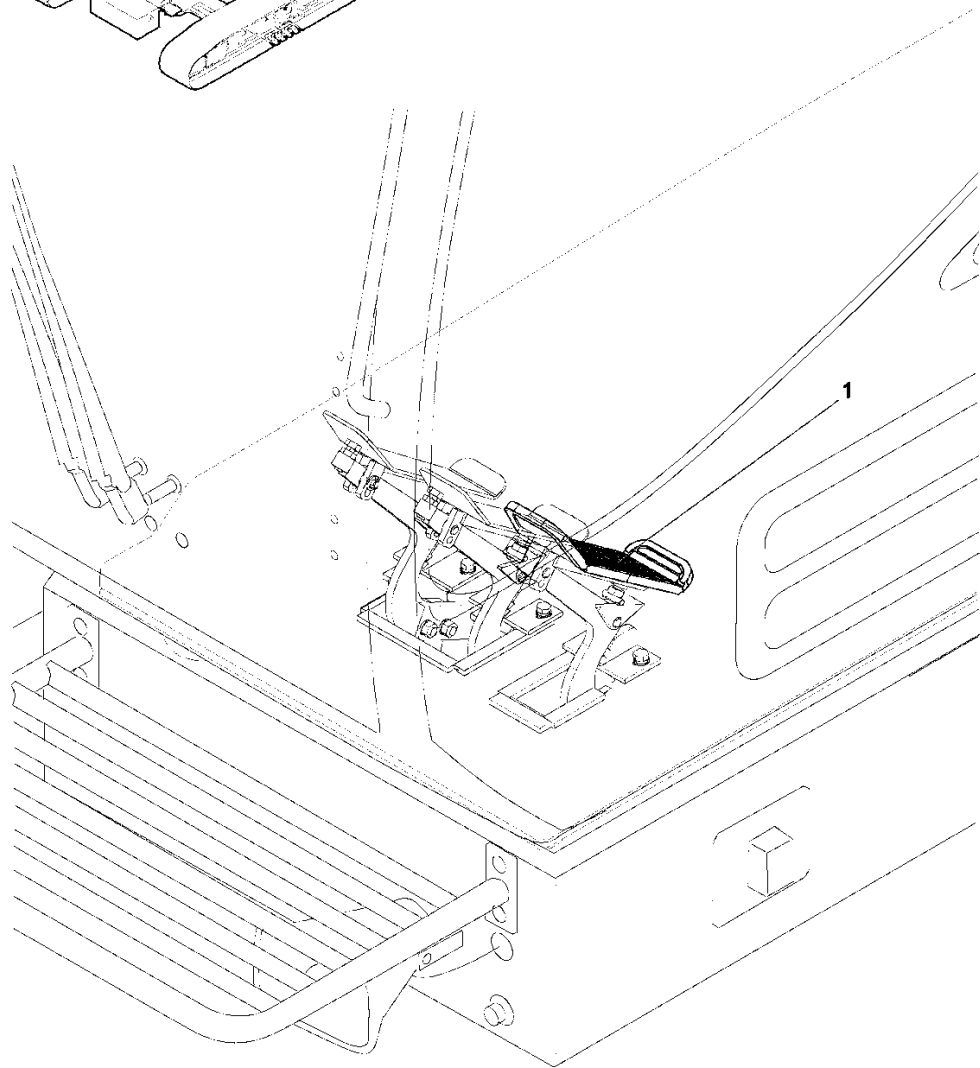
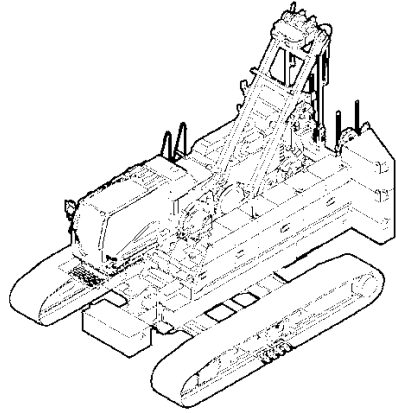
9999431042

Revision:

Item	FN	Part	Qty	Description
1		9999401800	2	COVER

Manitowoc

UPP FINAL
THIRD PEDAL COVER / OPT.



Manitowoc

Description

UPP FINAL 3RD PEDAL COVER

Assembly No.

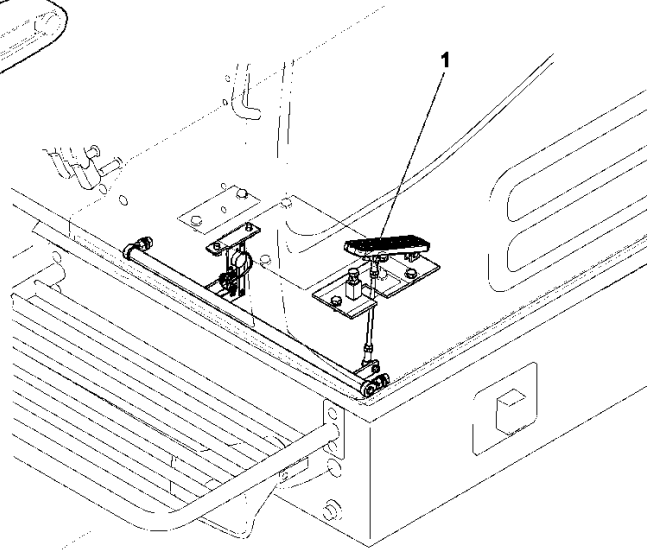
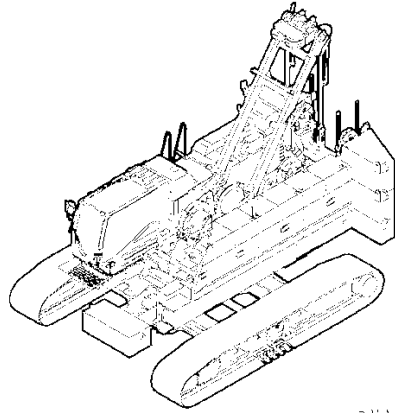
9999431045

Revision:

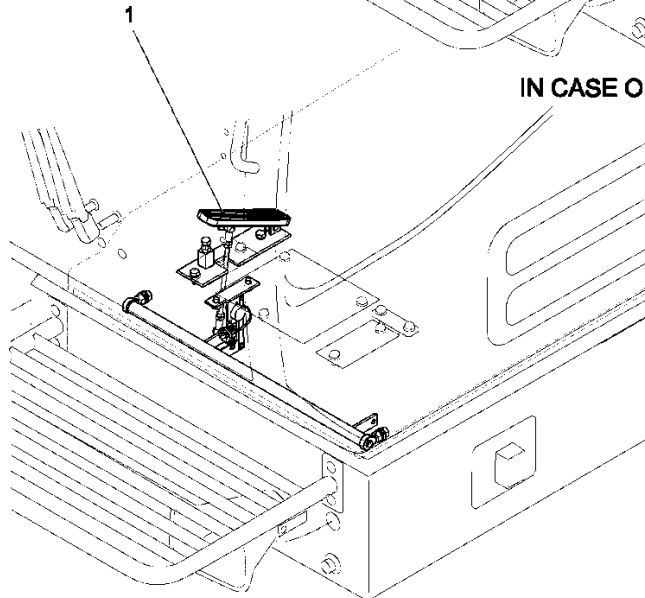
Item	FN	Part	Qty	Description
1		9999401800	1	COVER

Manitowoc

UPP FINAL
FOOT ACCELERATOR PEDAL COVER (RIGHT OR LEFT) / STD.



IN CASE OF LEFT FOOT ACCEL.



IN CASE OF RIGHT FOOT ACCEL.

Manitowoc

Description

UPP FINAL FOOT ACCELERATOR PEDAL COVER RH OR
LH / STD

Assembly No.

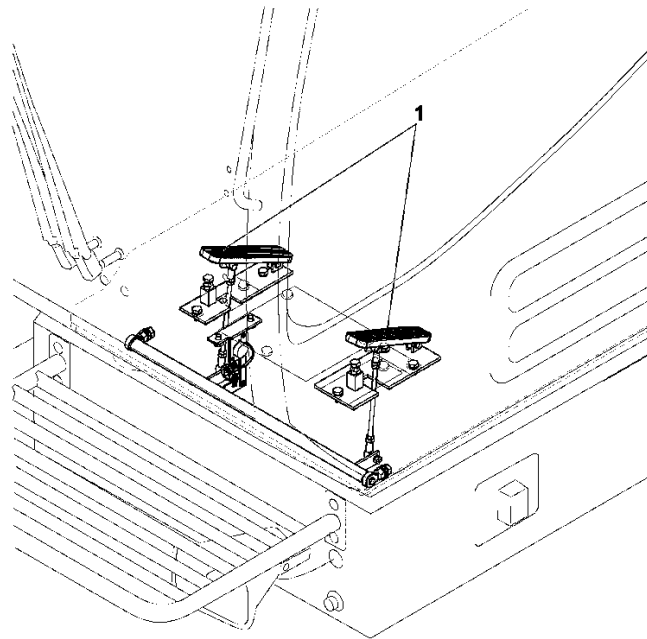
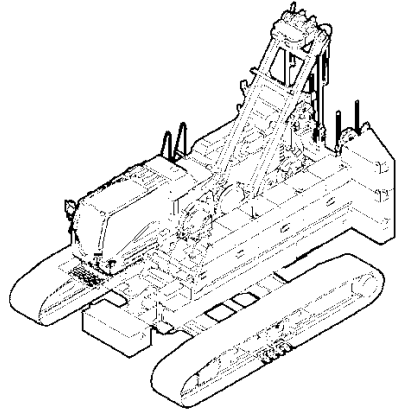
9999431046

Revision:

Item	FN	Part	Qty	Description
1		9999400418	1	PEDAL

Manitowoc

UPP FINAL
FOOT ACCELERATOR PEDAL COVER (RIGHT & LEFT) / OPT.



Manitowoc

Description

**UPP FINAL FOOT ACCELERATOR PEDAL COVER RH &
LH**

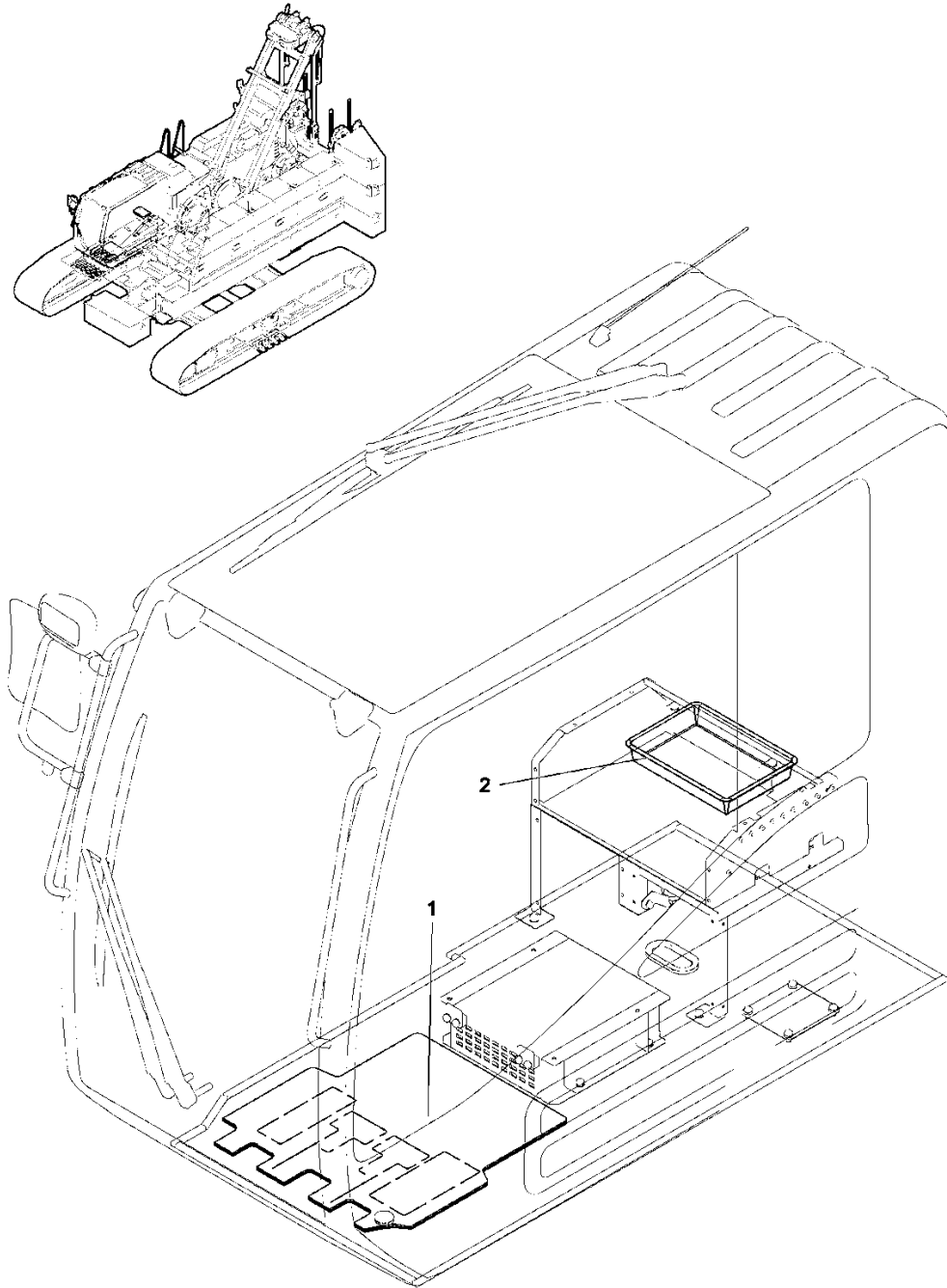
Assembly No.

9999431047

Revision:

Item	FN	Part	Qty	Description
1		9999400418	2	PEDAL

UPP FINAL FLOOR MAT



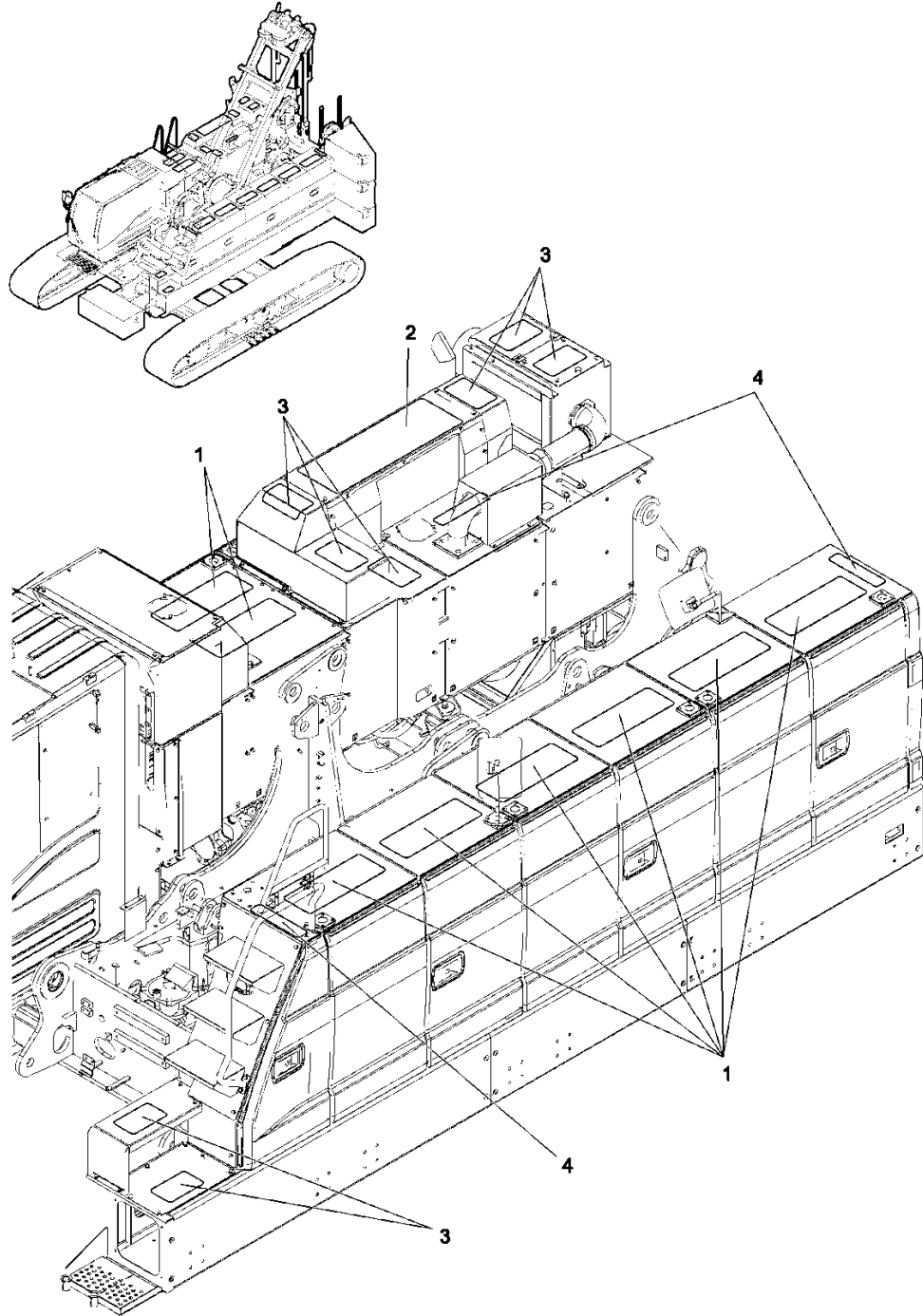
Manitowoc

Description
UPP FINAL FLOOR MAT

Assembly No.
9999431044
Revision:

Item	FN	Part	Qty	Description
1		9999431678	1	MAT, FLOOR
2		9999422827	1	CASE

SHEET ASSY GUARD ANTI-SLIP



Manitowoc

Description

SHEET ASSY GUARD ANTI-SLIP

Assembly No.

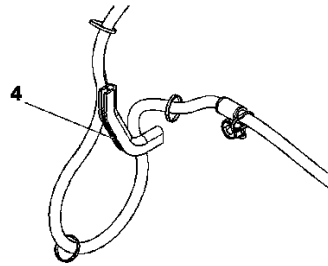
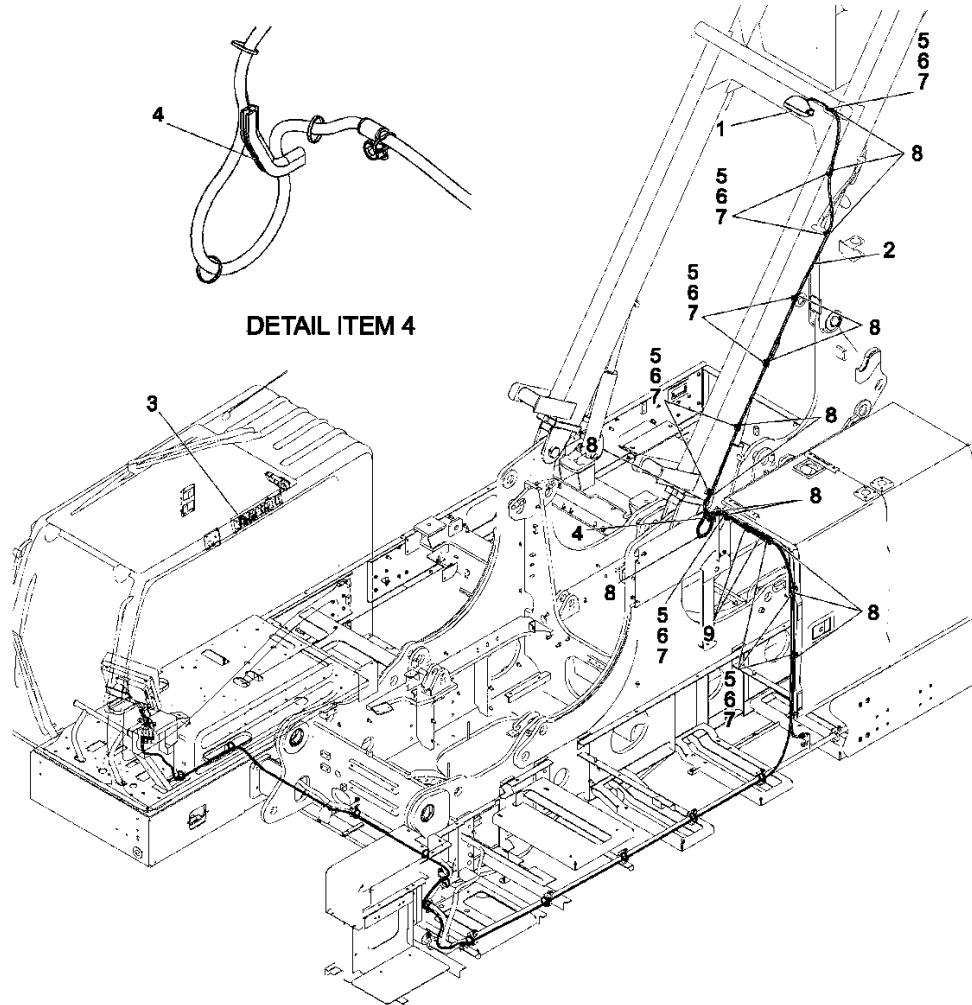
9999430917

Revision:

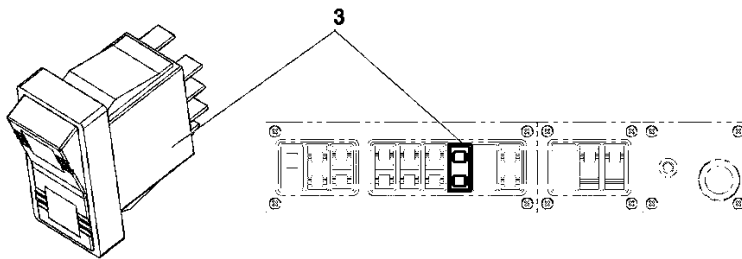
Item	FN	Part	Qty	Description
1		9999425213	8	SHEET
2		9999403508	1	ANTI-SLIP
3		9999431161	8	SHEET
4		9999431160	3	SHEET

Manitowoc

LIGHT INSTAL
WORK LIGHT / OPT.



DETAIL ITEM 4



DETAIL ITEM 3

Manitowoc

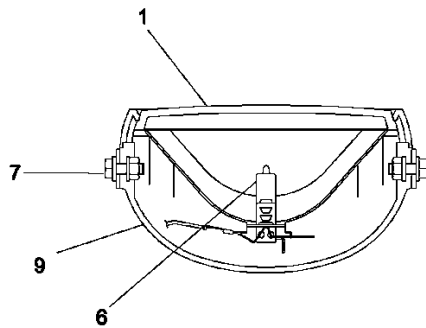
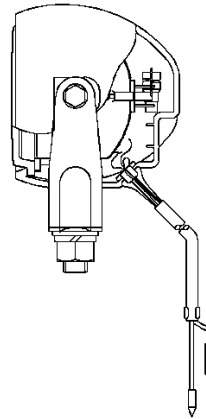
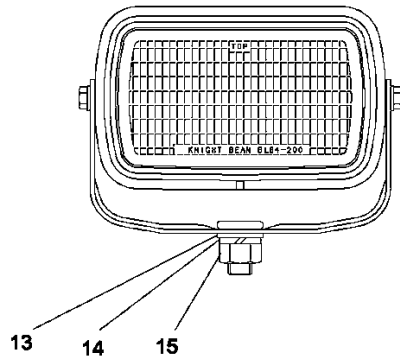
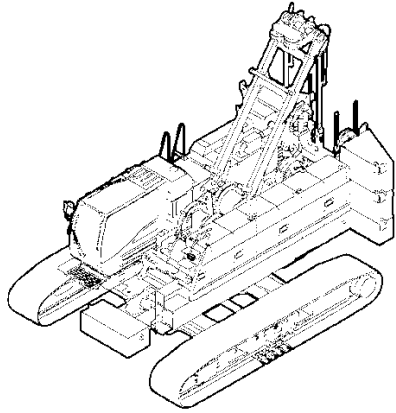
Description
LIGHT INSTAL, WORK

Assembly No.
9999431062
Revision:

Item	FN	Part	Qty	Description
1	+	9999426449	1	LIGHT
2		9999431378	1	HARNESS
3		9999431853	1	SWITCH
4		9999431107	1	TRIM
5		9999406256	11	CLIP
6		9999419755	11	U-NUT
7		9999424855	11	WASHER,
8		9999406272	14	CLIP
9		9999406274	2	CLIP

+ SEE FURTHER BREAKDOWN THIS GROUP

LIGHT



Manitowoc

Description

LIGHT

Assembly No.

9999426449

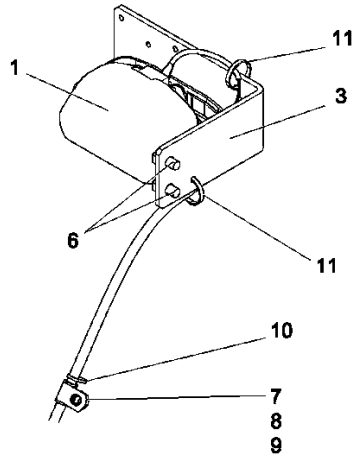
Revision:

Item	FN	Part	Qty	Description
1		9999430152	1	LENS
6		9999425250	1	VALVE
7		9999430153	2	BOLT
9		9999430154	4	MACHINE SCR
13		9999430004	1	WSHR
14		9999430005	1	LOCK WSHR
15		9999430006	1	NUT

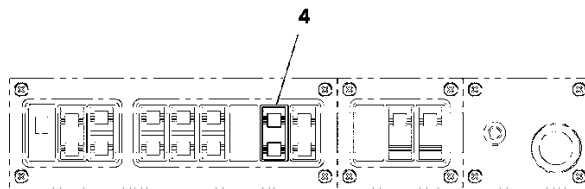
Manitowoc

Notes

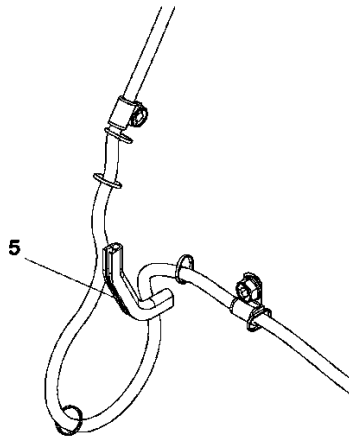
Manitowoc



DETAIL A



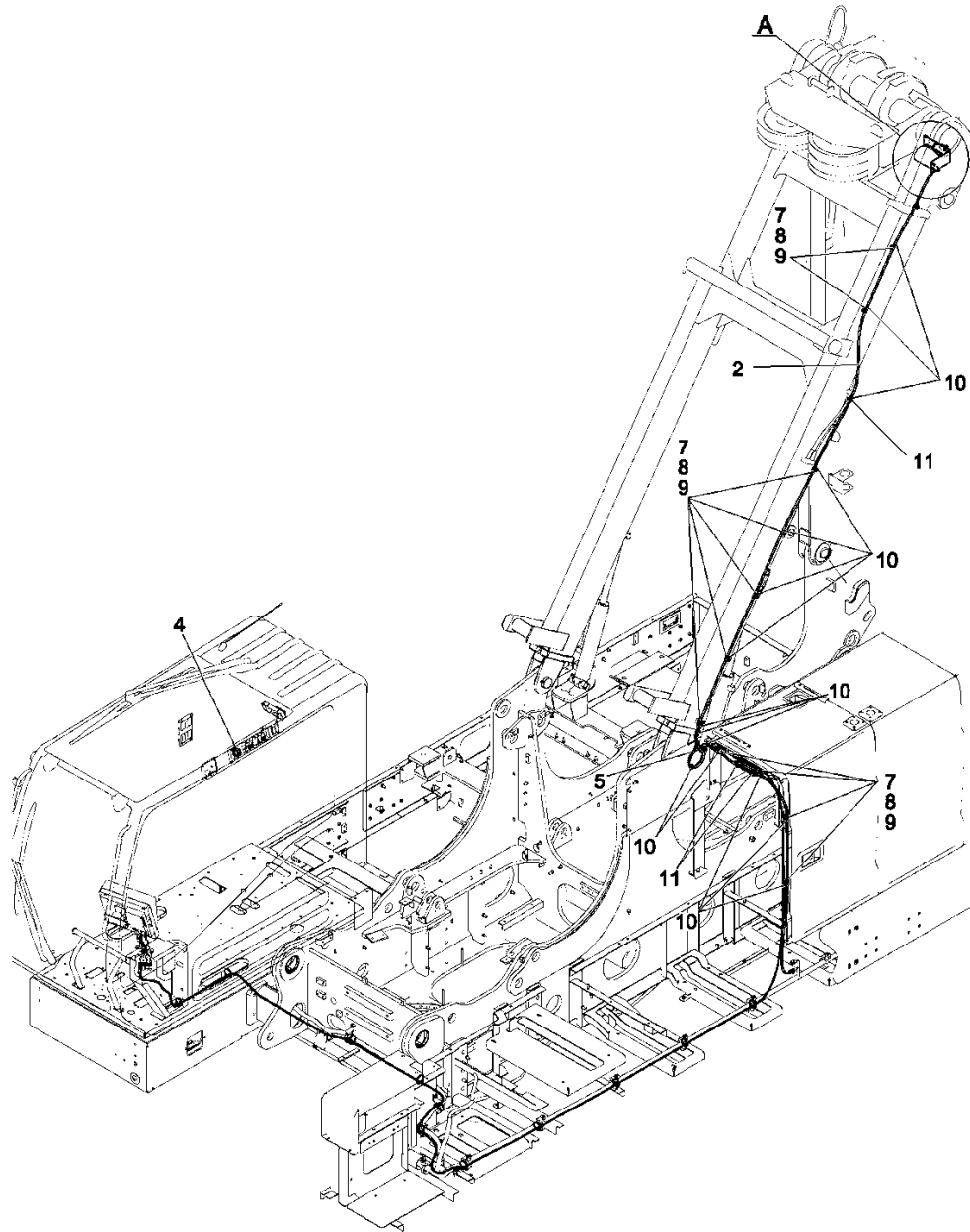
DETAIL ITEM 4



DETAIL ITEM 5

Manitowoc

LIGHT INSTAL
REAR WORK LIGHT / OPT.



Manitowoc

Description

LIGHT INSTAL RR WORK LIGHT

Assembly No.

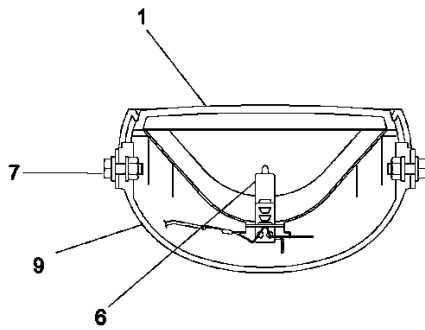
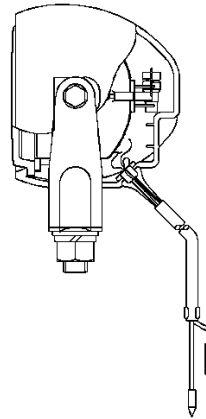
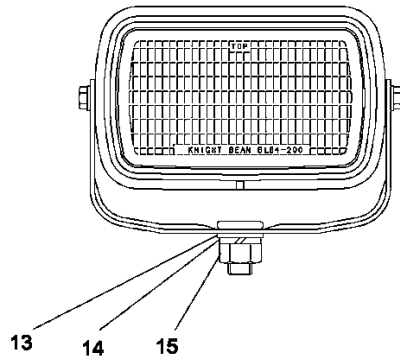
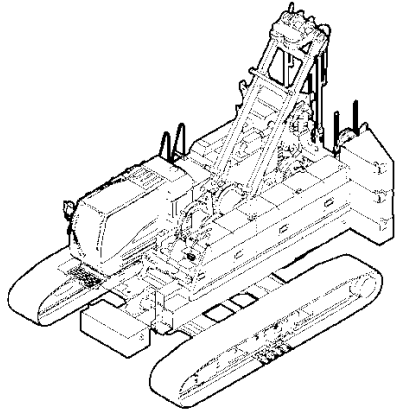
9999431061

Revision:

Item	FN	Part	Qty	Description
1	+	9999426449	1	LIGHT
2		9999431377	1	HARNESS
3		9999431934	1	BRKT
4		9999431854	1	SWITCH
5		9999431107	1	TRIM
6		9999432210	2	SEMS-BOLT
7		9999406256	12	CLIP
8		9999419755	12	U-NUT
9		9999424855	12	WASHER,
10		9999406272	16	CLIP
11		9999406274	5	CLIP

+ SEE FURTHER BREAKDOWN THIS GROUP

LIGHT



Manitowoc

Description

LIGHT

Assembly No.

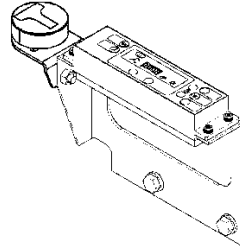
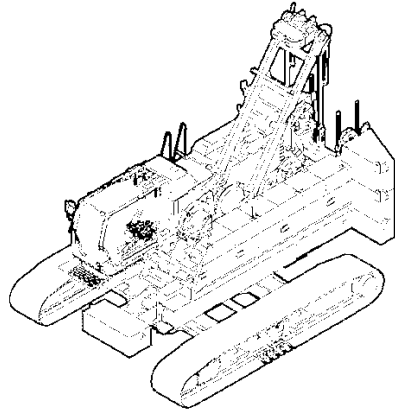
9999426449

Revision:

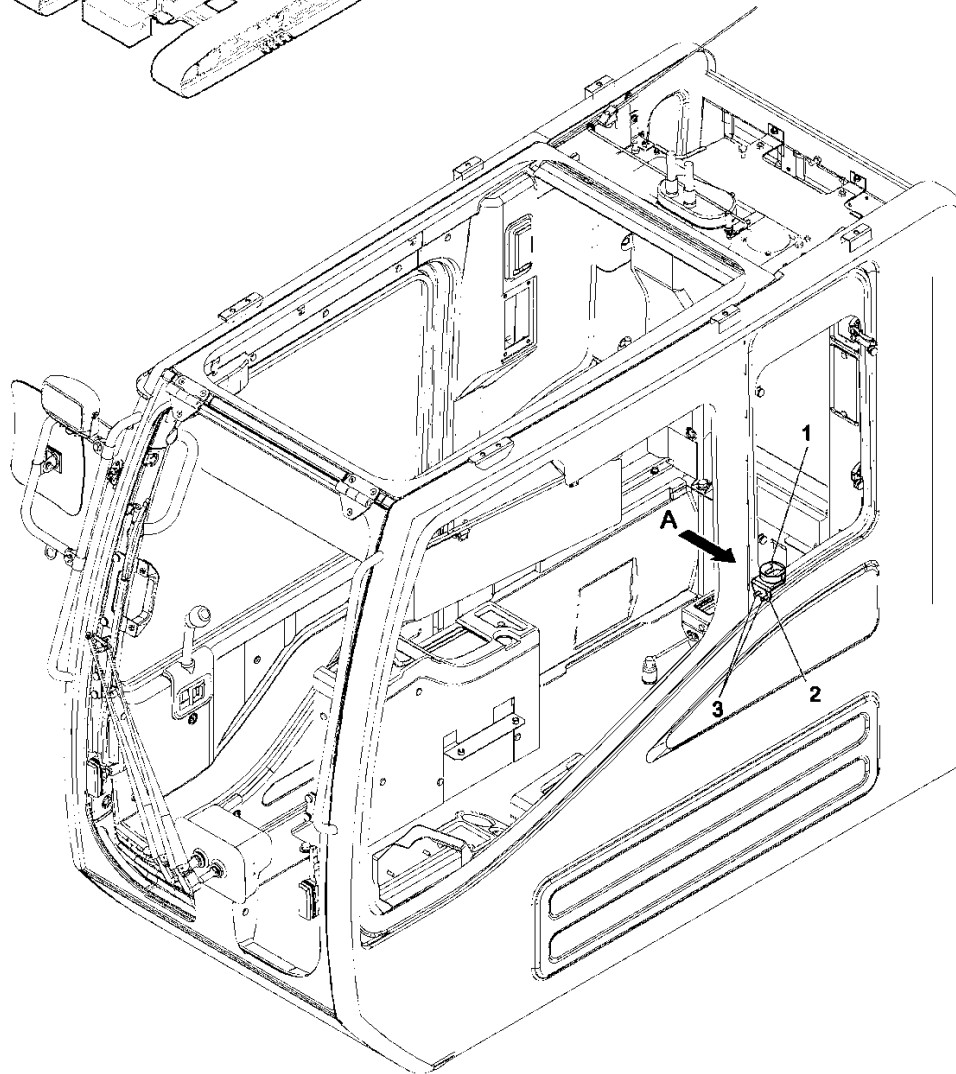
Item	FN	Part	Qty	Description
1		9999430152	1	LENS
6		9999425250	1	VALVE
7		9999430153	2	BOLT
9		9999430154	4	MACHINE SCR
13		9999430004	1	WSHR
14		9999430005	1	LOCK WSHR
15		9999430006	1	NUT

Manitowoc

GAUGE INSTAL., LEVEL
LEVEL GAUGE / STD.



VIEW A



Manitowoc

Description

GAUGE INSTAL, LEVEL / STD

Assembly No.

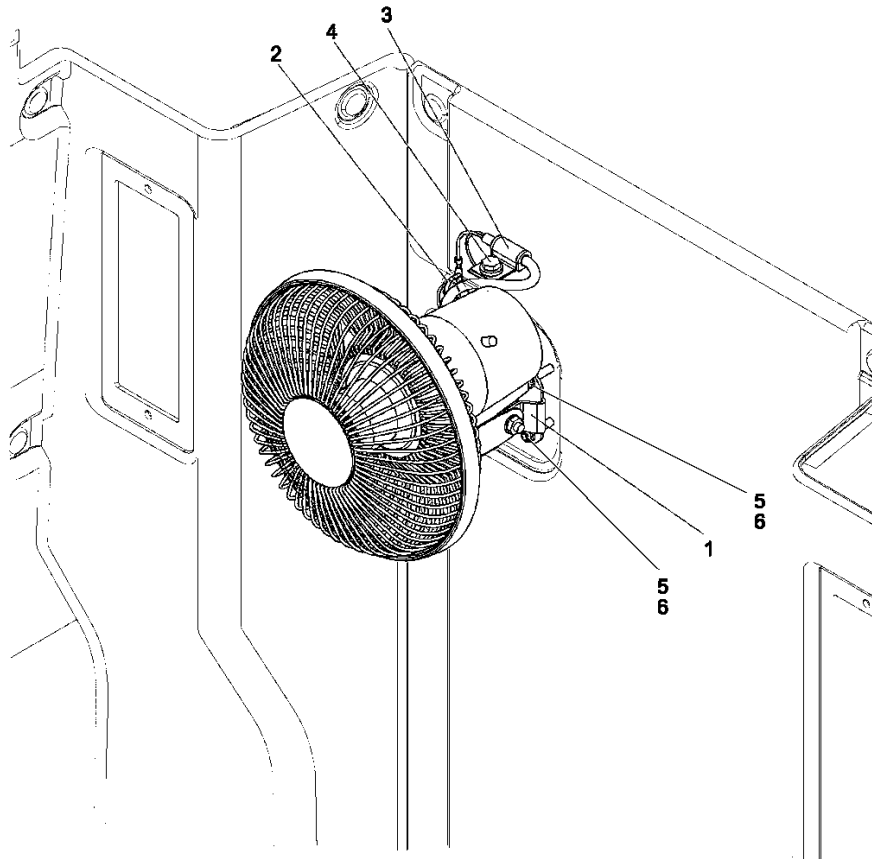
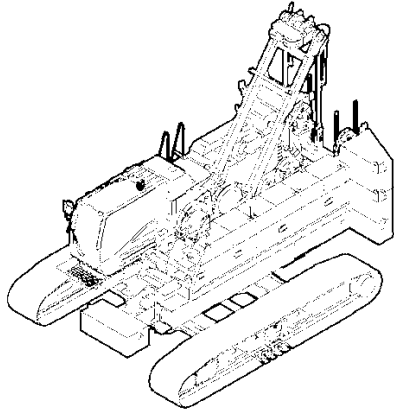
9999431049

Revision:

Item	FN	Part	Qty	Description
1		9999406343	1	GAUGE, LEVEL
2		9999432018	1	BRKT
3		9999424508	2	SEMS-BOLT

Manitowoc

FAN INSTAL OPT.



Manitowoc

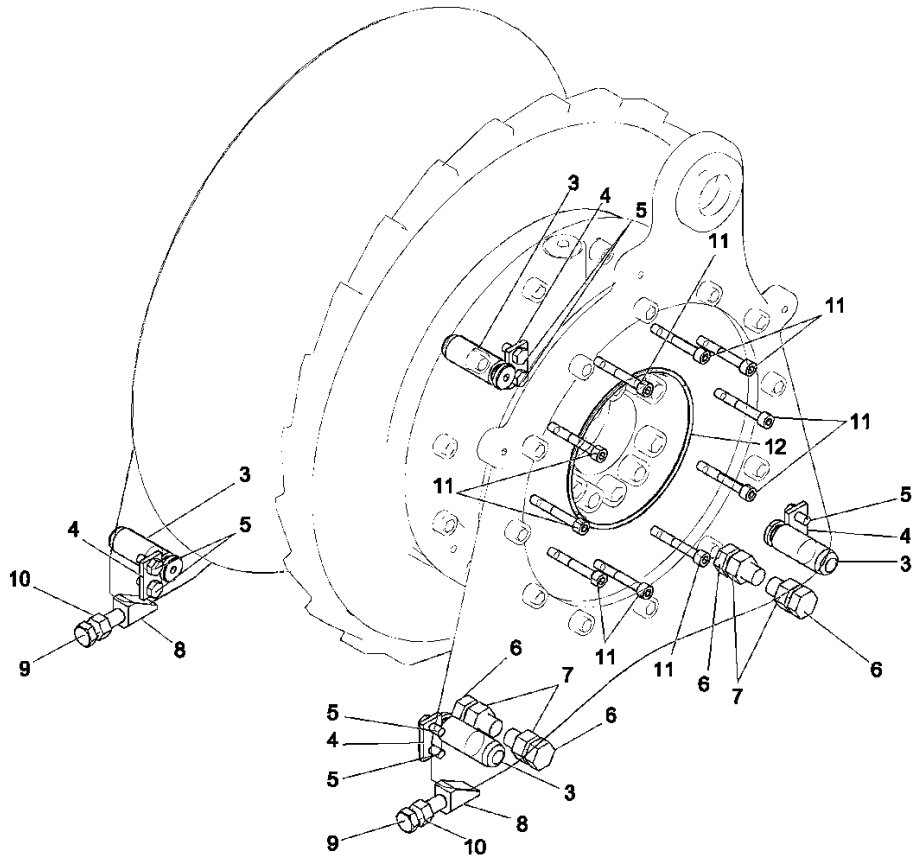
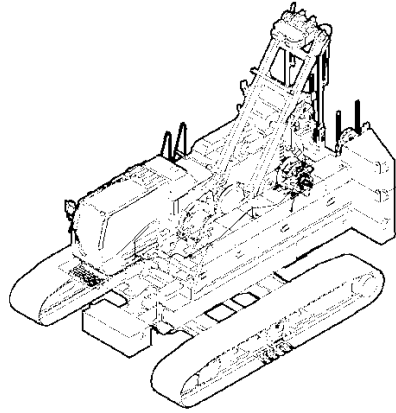
Description
FAN INSTAL

Assembly No.
9999431059
Revision:

Item	FN	Part	Qty	Description
1		9999406235	1	FAN
2		9999432027	1	HARNESS
3		9999425319	1	CLIP
4		9999432206	1	SEMS-BOLT
5		9999424794	2	MACHINE SCREW
6		9999424874	2	LOCK WASHER

Manitowoc

WINCH INSTAL BOOM HOIST



Manitowoc

Description

WINCH INSTAL BOOM HOIST

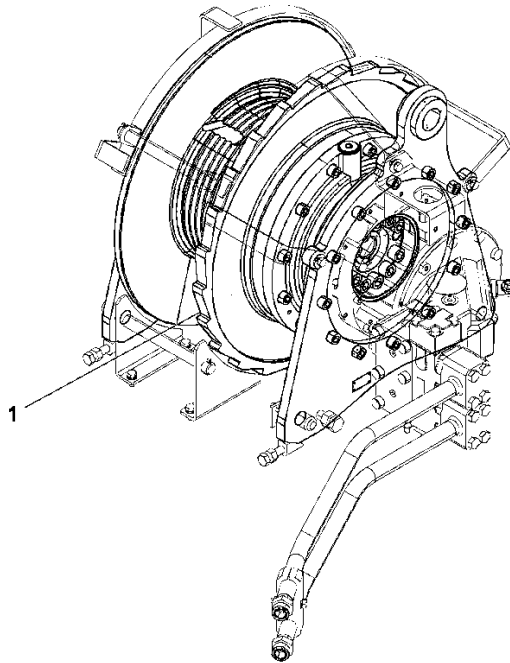
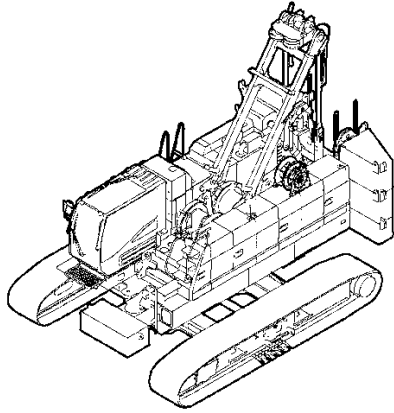
Assembly No.

9999430810

Revision:

Item	FN	Part	Qty	Description
3		9999423001	4	PIN
4		9999423003	4	PLATE, KEEPER
5		9999424693	8	BOLT
6		9999424723	4	CAPSCREW
7		9999424570	4	NUT
8		9999425708	2	BLOCK
9		9999424081	2	CAPSCREW
10		9999424569	2	NUT
11		9999420220	10	CAPSCREW
12		9999419258	1	O-RING

WINCH ASSY, B. HOIST
BOOM HOIST



Manitowoc

Description

WINCH ASSY, BOOM HOIST

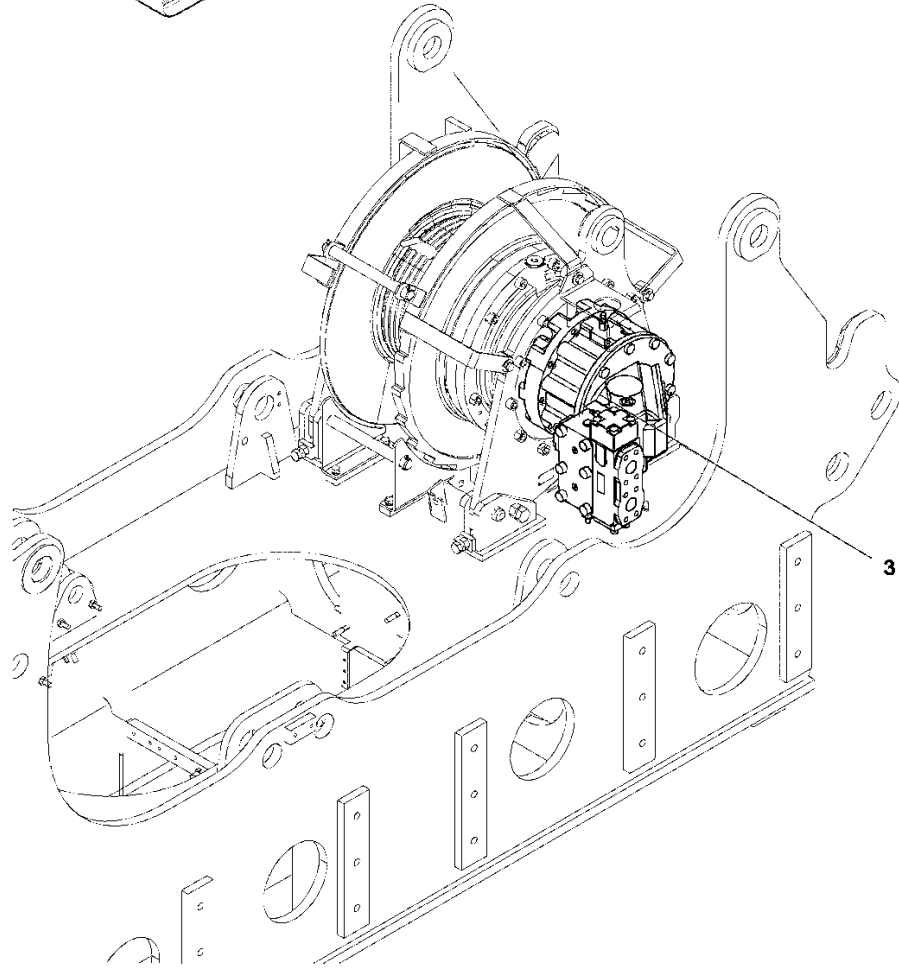
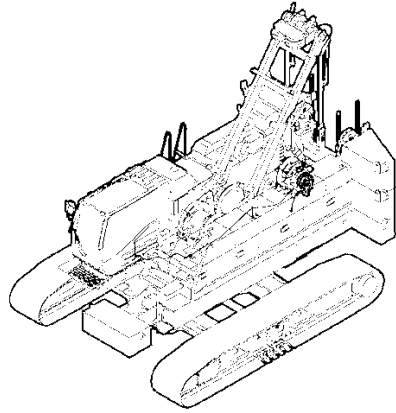
Assembly No.

9999430816

Revision:

Item	FN	Part	Qty	Description
1		9999431195	1	WINCH ASSY, B.HOIST

MOTOR ASSY, HYD BOOM HOIST



Manitowoc

Description

MOTOR ASSY, HYD BOOM HOIST

Assembly No.

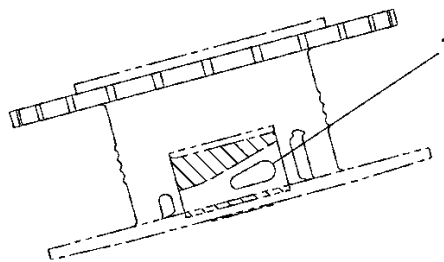
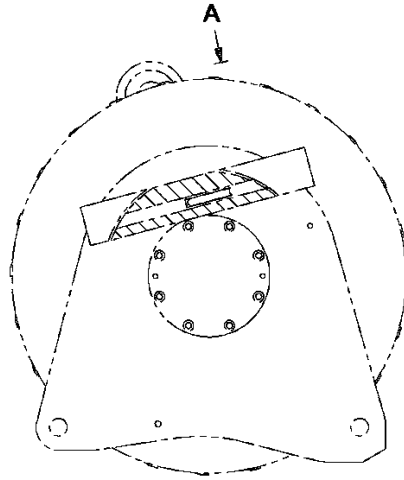
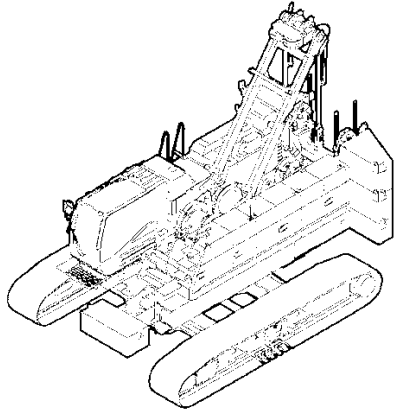
9999430875

Revision:

Item	FN	Part	Qty	Description
3		9999431401	1	MOTOR ASSY, HYD

Manitowoc

WEDGE, ROPE
BOOM HOIST



VIEW A

Manitowoc

Description

WEDGE, ROPE BOOM HOIST

Assembly No.

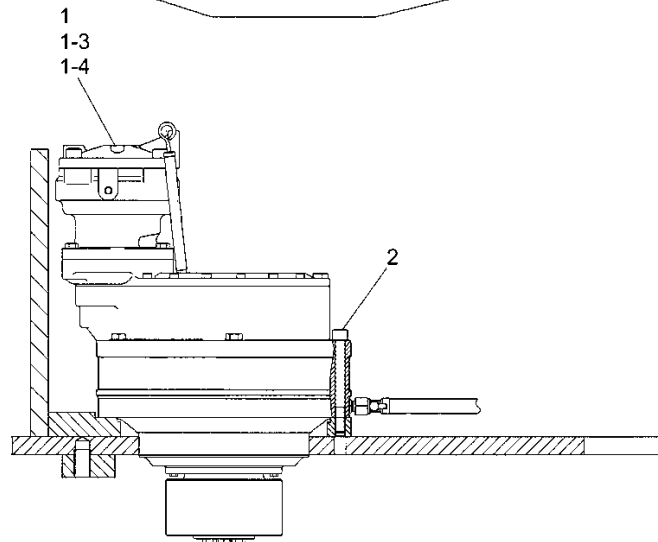
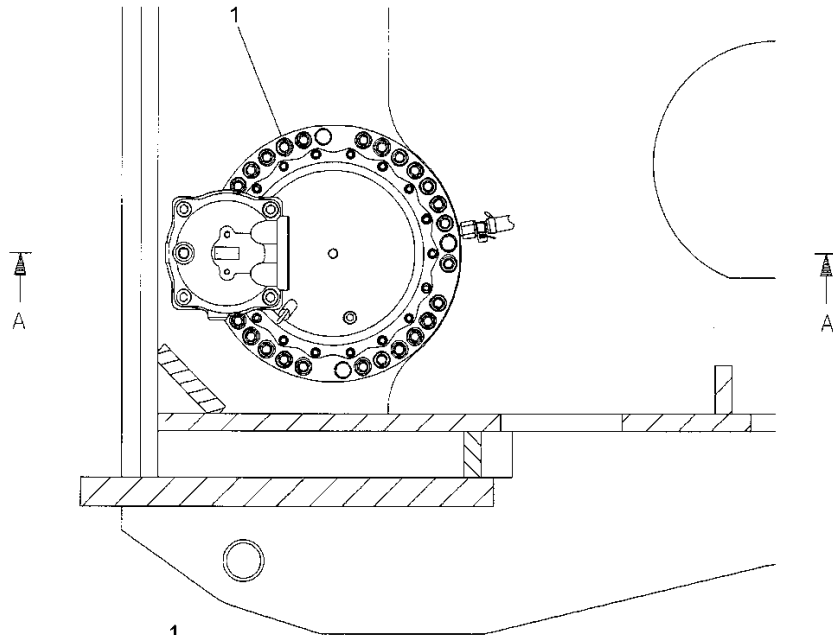
9999431056

Revision:

Item	FN	Part	Qty	Description
1		9999422631	1	WEDGE, ROPE

Manitowoc

REDUCT INSTAL, SWING



SECTION A-A

Manitowoc

Description

SWING REDUCT INSTAL

Assembly No.

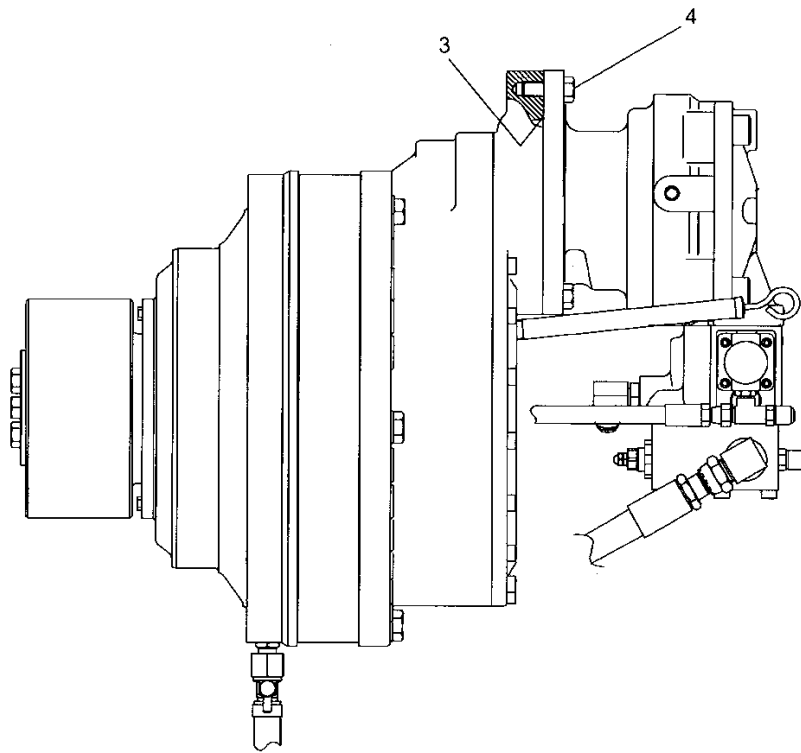
9999425571

Revision:

Item	FN	Part	Qty	Description
1	+	9999421465	1	SWING REDUCT INSTAL
1-3		9999422558	1	O-RING
1-4		9999424719	4	CAPSCREW
2		9999408820	24	CAPSCREW

+ SEE FURTHER BREAKDOWN THIS GROUP

REDUCTION ASSY, SWING



Manitowoc

Description

SWING REDUCT INSTAL

Assembly No.

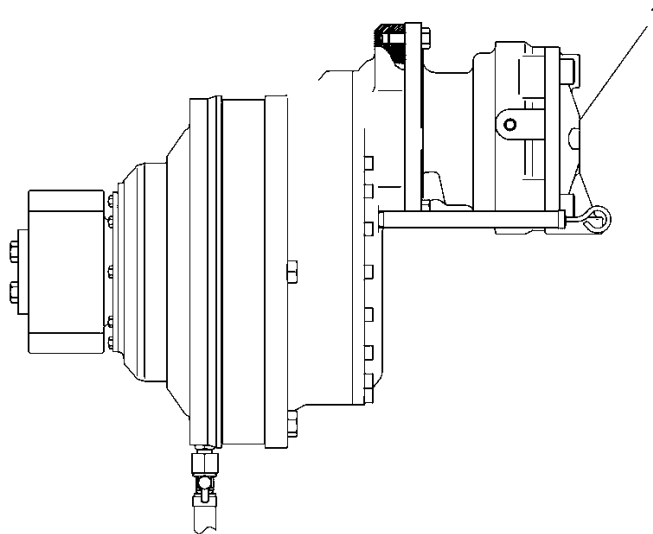
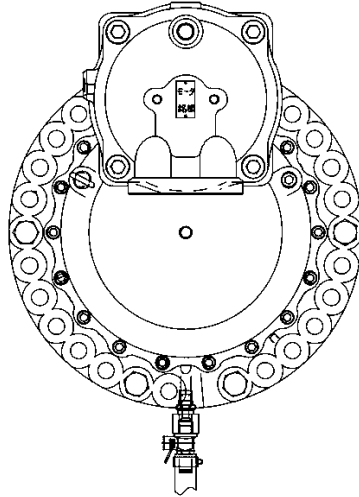
9999421465

Revision:

Item	FN	Part	Qty	Description
3		9999422558	1	O-RING
4		9999424719	4	CAPSCREW

Manitowoc

MOTOR ASSY, SWING



Manitowoc

Description
MOTOR ASSY, SWING

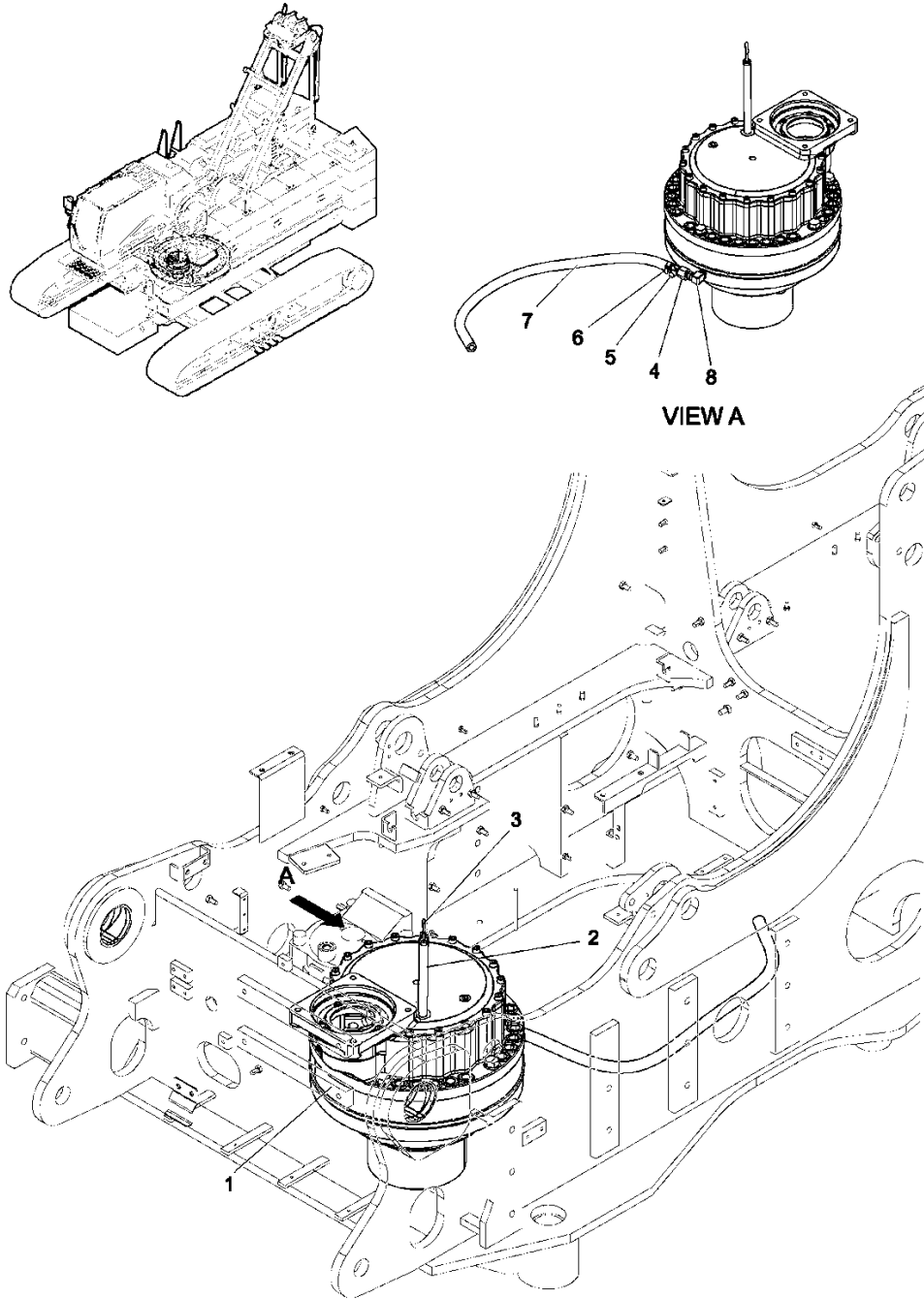
Assembly No.
9999430461
Revision:

Item	FN	Part	Qty	Description
1		9999406802	1	MOTOR, HYD.

Manitowoc

REDUCTION ASSY, SWING

GG32W00009F1



Manitowoc

Description
REDUCTION ASSY,SWING

Assembly No.
9999430938
 Revision:

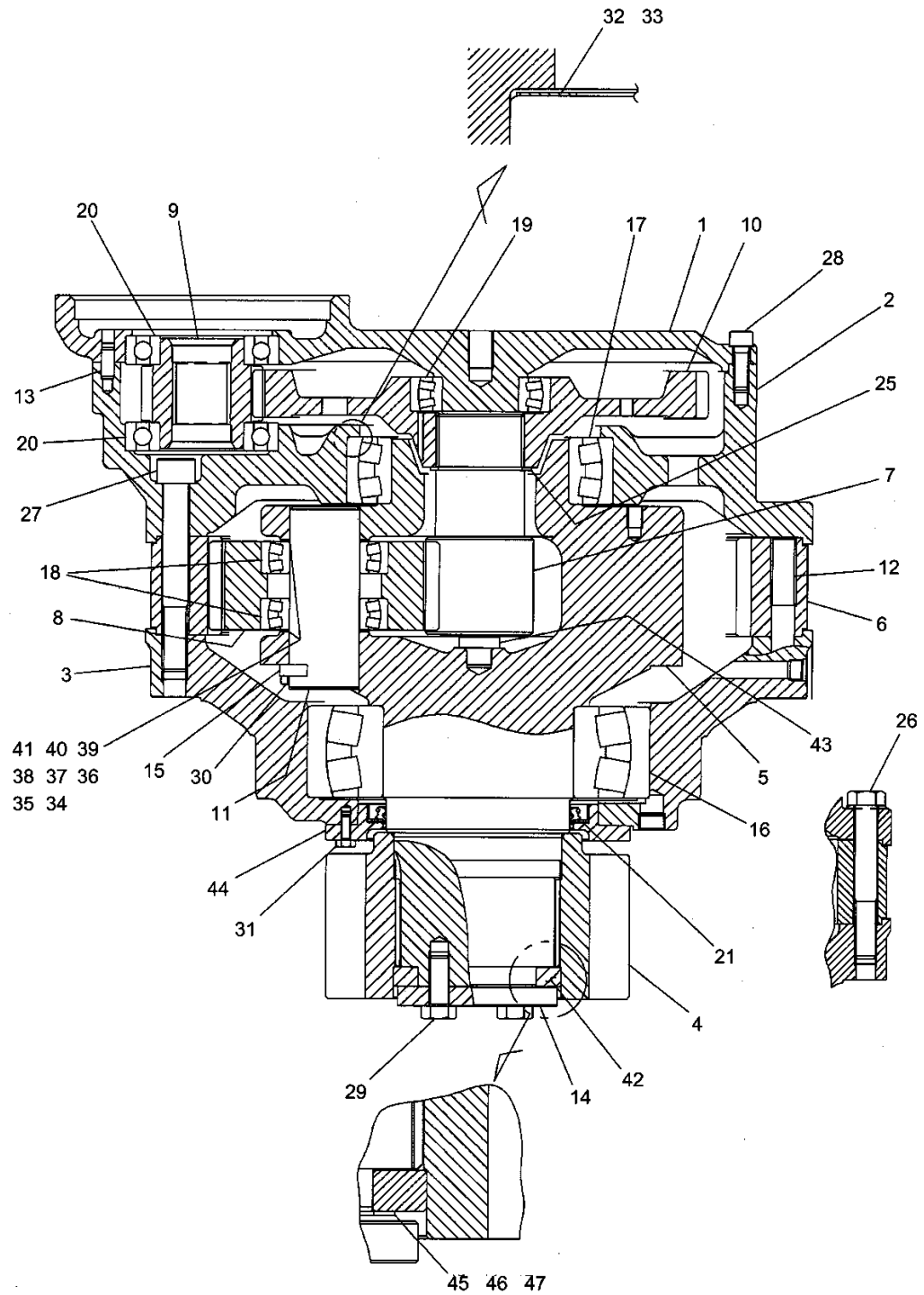
Item	FN	Part	Qty	Description
1	+	9999408079	1	REDUCTION ASSY,SWING
2		9999422887	1	TUBE
3		9999403219	1	DIPSTICK
4		9999407128	1	CONNECTOR
5		9999407129	1	COCK, DRAIN
6		9999424362	1	CLIP
7		9999408793	1	HOSE ASSY, USE AS REQUIRED
8		9999424358	1	ELBOW, 90

+ SEE FURTHER BREAKDOWN THIS GROUP

Manitowoc

Notes

Manitowoc

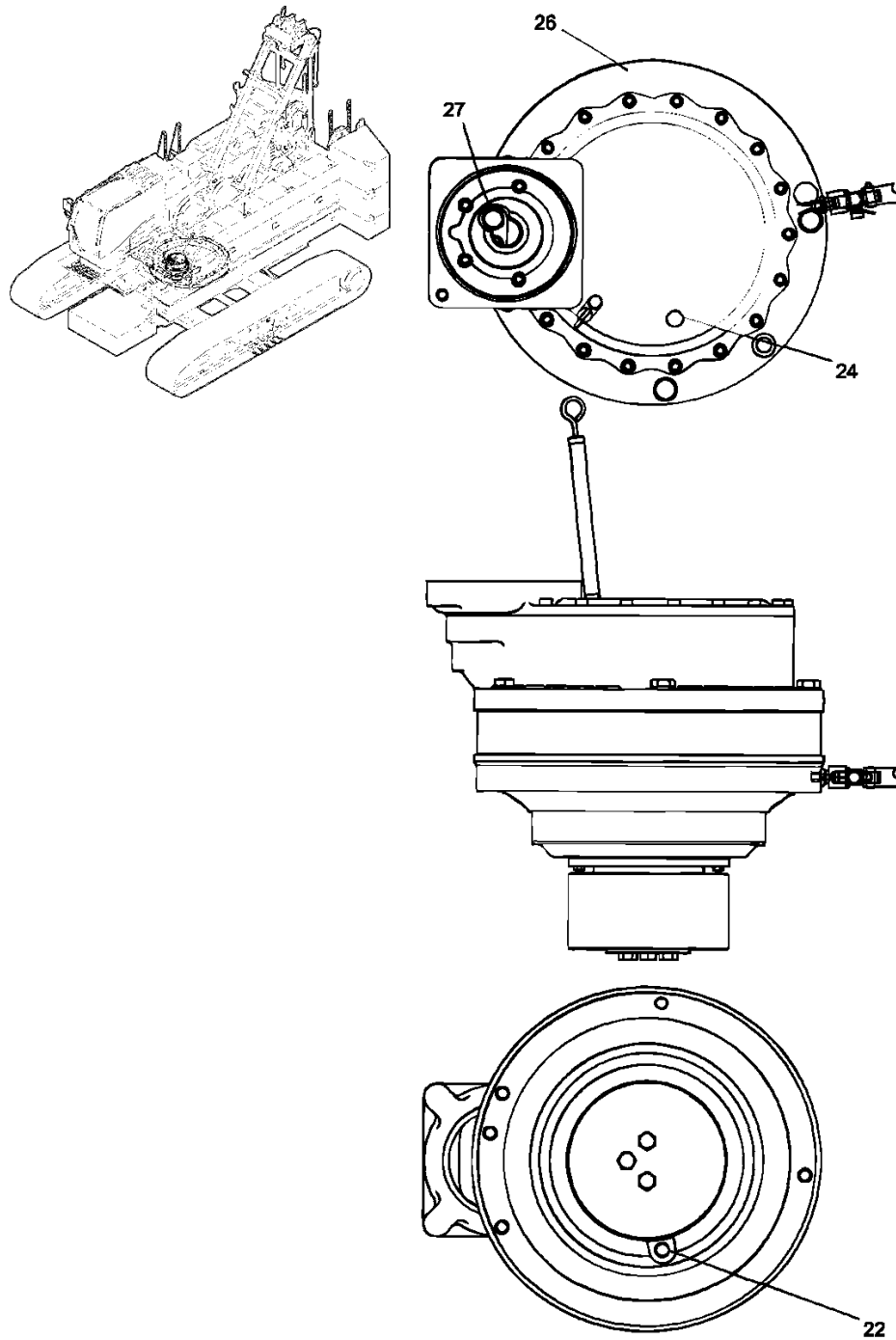


9999408079

(SHEET 2 OF 2)

Manitowoc

REDUCTION ASSY, SWING



Manitowoc

Description
REDUCTION ASSY, SWING

Assembly No.
9999408079
 Revision:

Item	FN	Part	Qty	Description
1		9999423537	1	HOUSING
2		9999423538	1	HOUSING
3		9999423539	1	HOUSING
4		9999400252	1	PINION
5		9999423541	1	SHAFT
6		9999423536	1	GEAR, RING
7		9999408082	1	GEAR, SUN
8		9999408083	3	PINION
9		9999408084	1	PINION
10		9999408085	1	GEAR
11		9999408086	3	PIN
12		9999408087	4	PIN
13		9999402966	1	PIN
14		9999402595	1	PLATE
15		9999422188	3	PLATE
16		9999405954	1	BEARING
17		9999421552	1	BEARING, ROLLER
18		9999403649	6	BEARING, SPHERICAL
19		9999405955	1	BEARING, ROLLER
20		9999422608	2	BEARING, ROLLER
21		9999419364	1	OIL SEAL
22		9999424455	1	PLUG
24		9999424456	1	PLUG
25		9999424632	1	RING, RETAINING
26		9999424666	5	CAPSCREW
27		9999420237	2	CAPSCREW
28		9999424738	19	CAPSCREW
29		9999424658	4	CAPSCREW
30		9999424733	6	BOLT
31		9999424652	8	CAPSCREW
32		9999423542	1	SHIM, 0.2
33		9999423543	1	SHIM, 0.5
34		9999403489	1	SHIM, 1.1
35		9999422302	1	SHIM, 1.2

Manitowoc

Description

REDUCTION ASSY,SWING

Assembly No.

9999408079

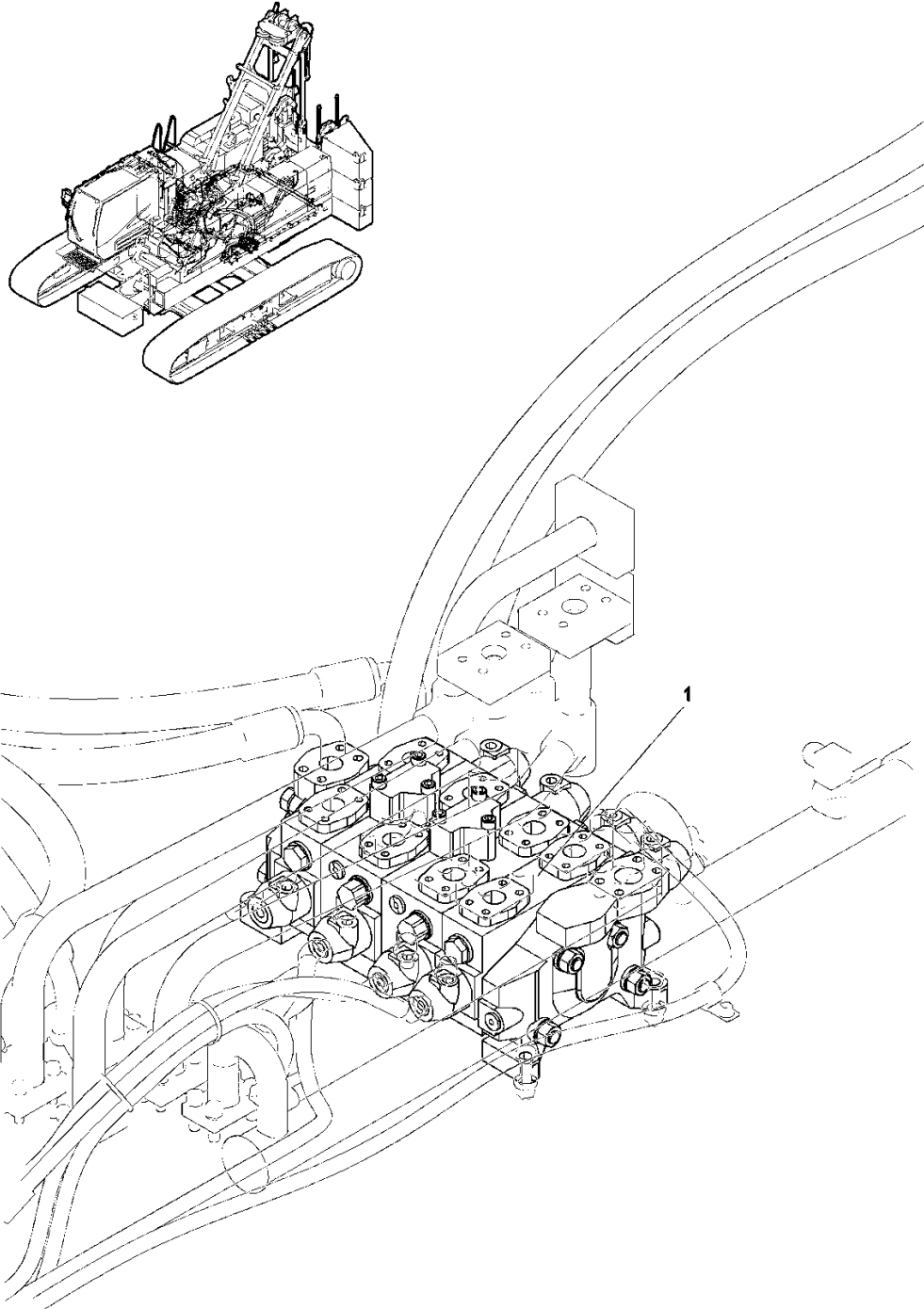
Revision:

Item	FN	Part	Qty	Description
36		9999422303	1	SHIM, 1.3
37		9999422304	1	SHIM, 1.4
38		9999422305	1	SHIM, 1.5
39		9999422306	1	SHIM, 1.6
40		9999422307	1	SHIM, 1.7
41		9999422308	1	SHIM, 1.8
42		9999402596	1	SPACER
43		9999422580	1	BUTTON, THRUST
44		9999423540	1	RETAINER
45		9999403399	1	SHIM, 0.1
46		9999403400	1	SHIM, 0.2
47		9999403401	1	SHIM, 0.3

Manitowoc

Notes

VALVE ASSY, CONTROL
PROPEL, HOIST, REAR 1st, FRONT 2nd



Manitowoc

Description

VALVE ASSY, CNTRL PROPEL, HOIST, RR 1st, FRT 2nd

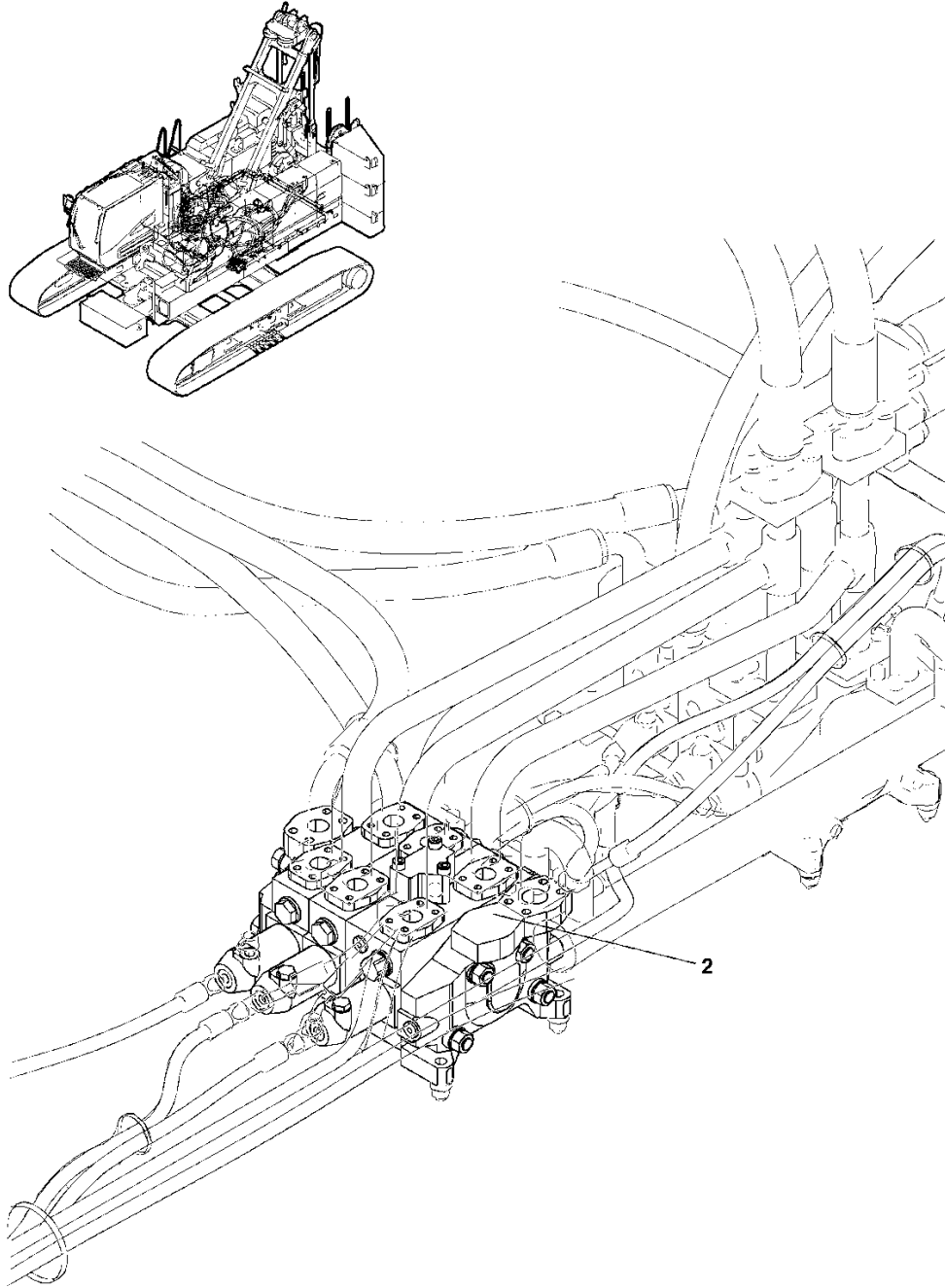
Assembly No.

9999430924

Revision:

Item	FN	Part	Qty	Description
1		9999431693	1	VALVE ASSY, CNTRL

VALVE ASSY, CONTROL
PROPEL, REAR 2nd, FRONT 1st



Manitowoc

Description

VALVE ASSY, CNTRL PROPEL, RR 2nd, FRT 1st

Assembly No.

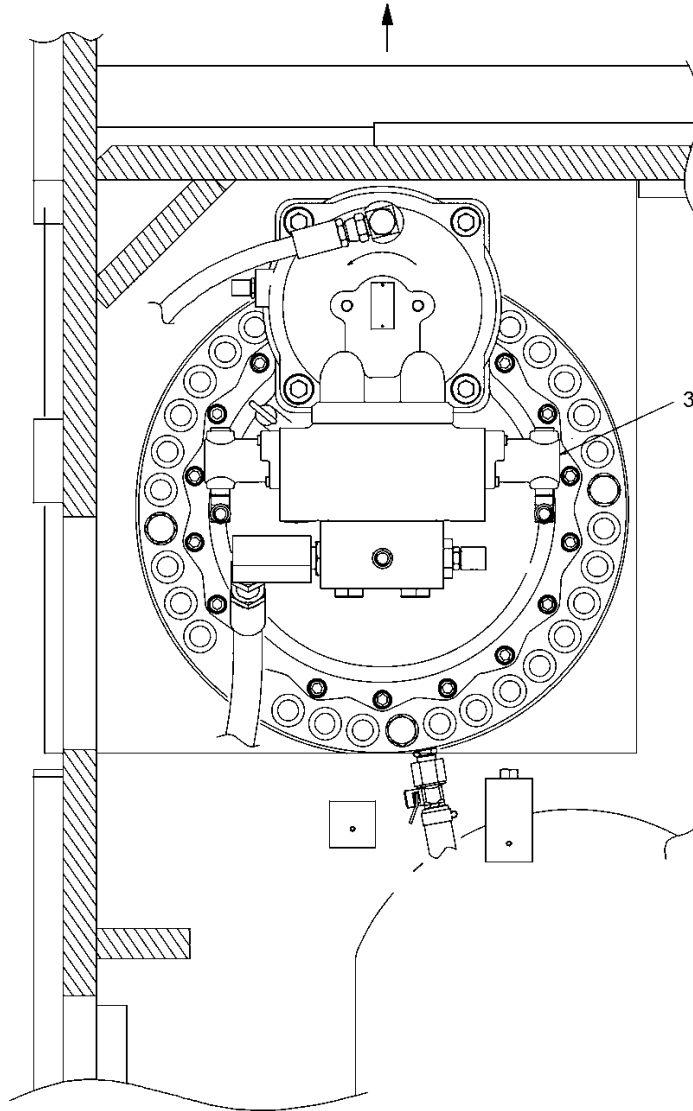
9999430925

Revision:

Item	FN	Part	Qty	Description
2		9999431694	1	VALVE ASSY, CNTRL

Manitowoc

VALVE ASSY, CONTROL



Manitowoc

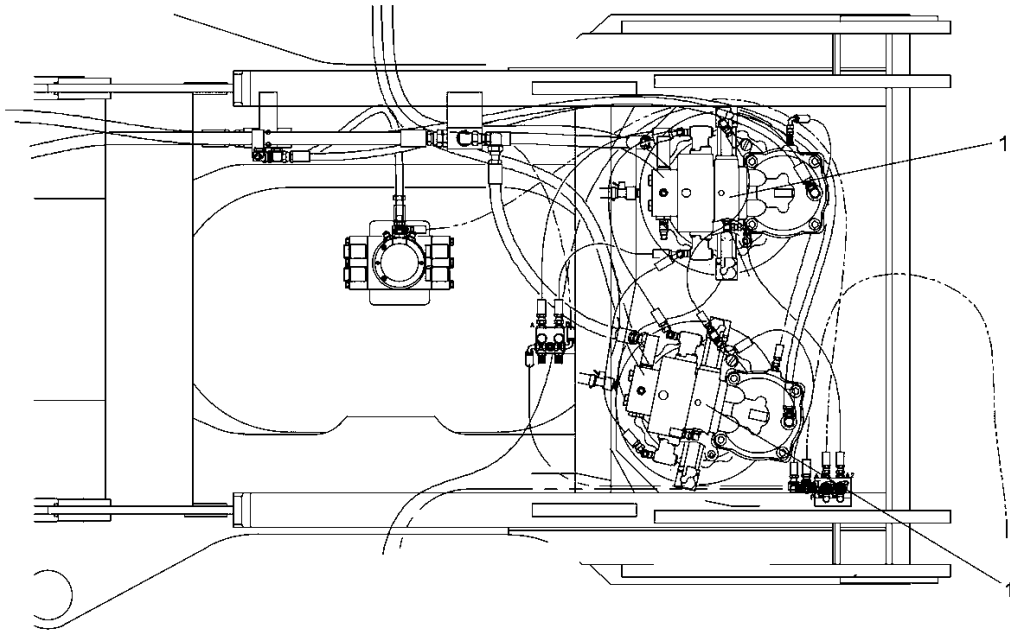
Description
VALVE ASSY, CONTROL

Assembly No.
9999430636
Revision:

Item	FN	Part	Qty	Description
3		9999407105	1	VALVE ASSY, CONTROL

Manitowoc

VALVE ASSY, CONTROL
SWING VALVE



Manitowoc

Description

VALVE ASSY, CNTRL SWING VALVE

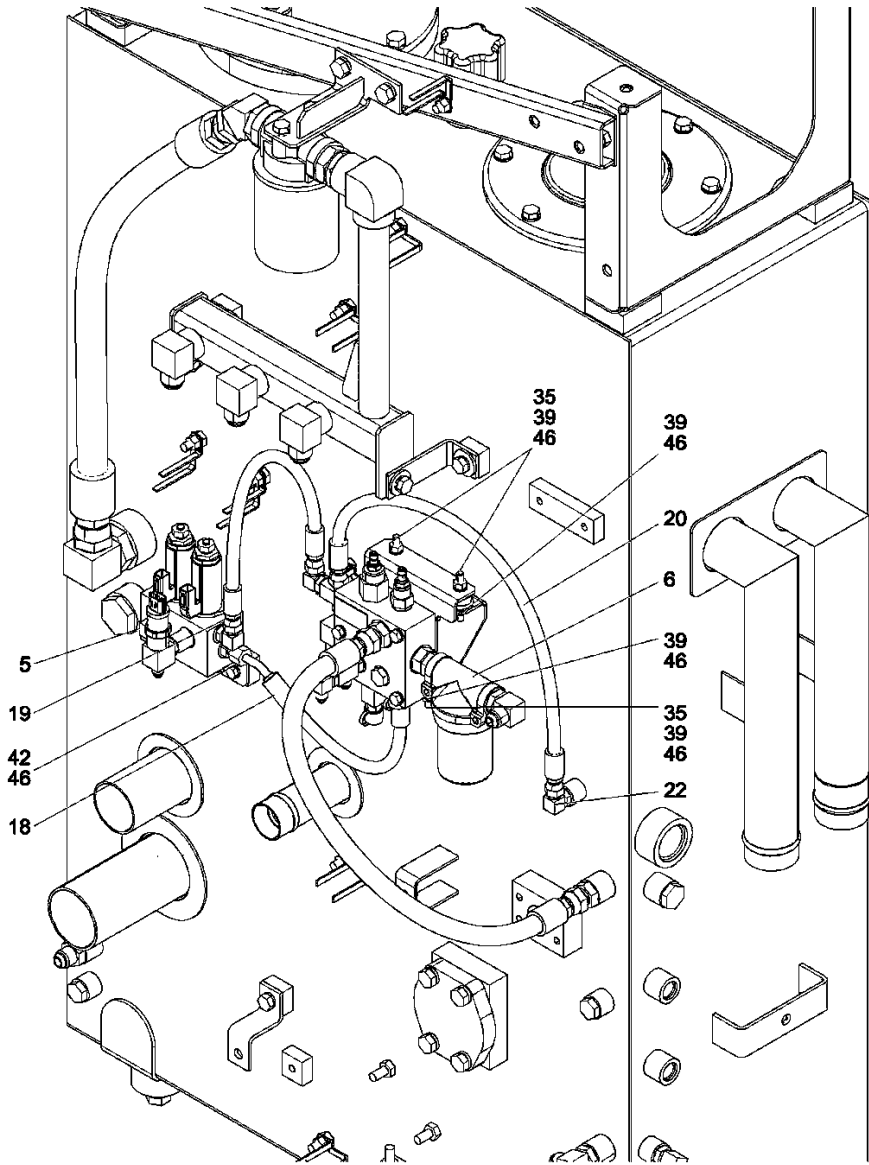
Assembly No.

9999430466

Revision:

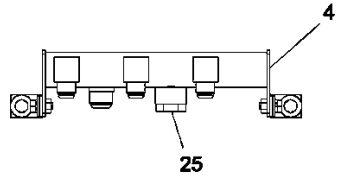
Item	FN	Part	Qty	Description
1		9999408577	1	VALVE ASSY, CONTROL

Manitowoc

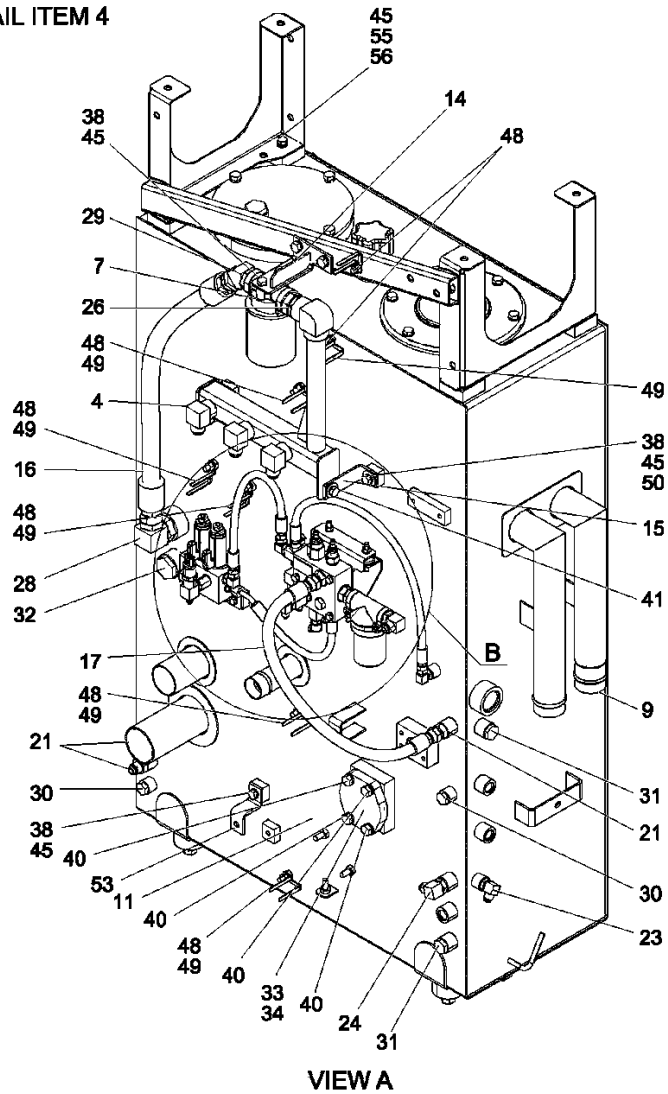


DETAIL B

Manitowoc

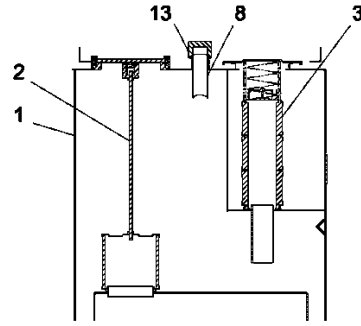
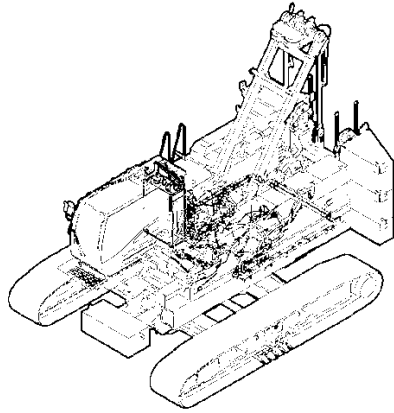


DETAIL ITEM 4

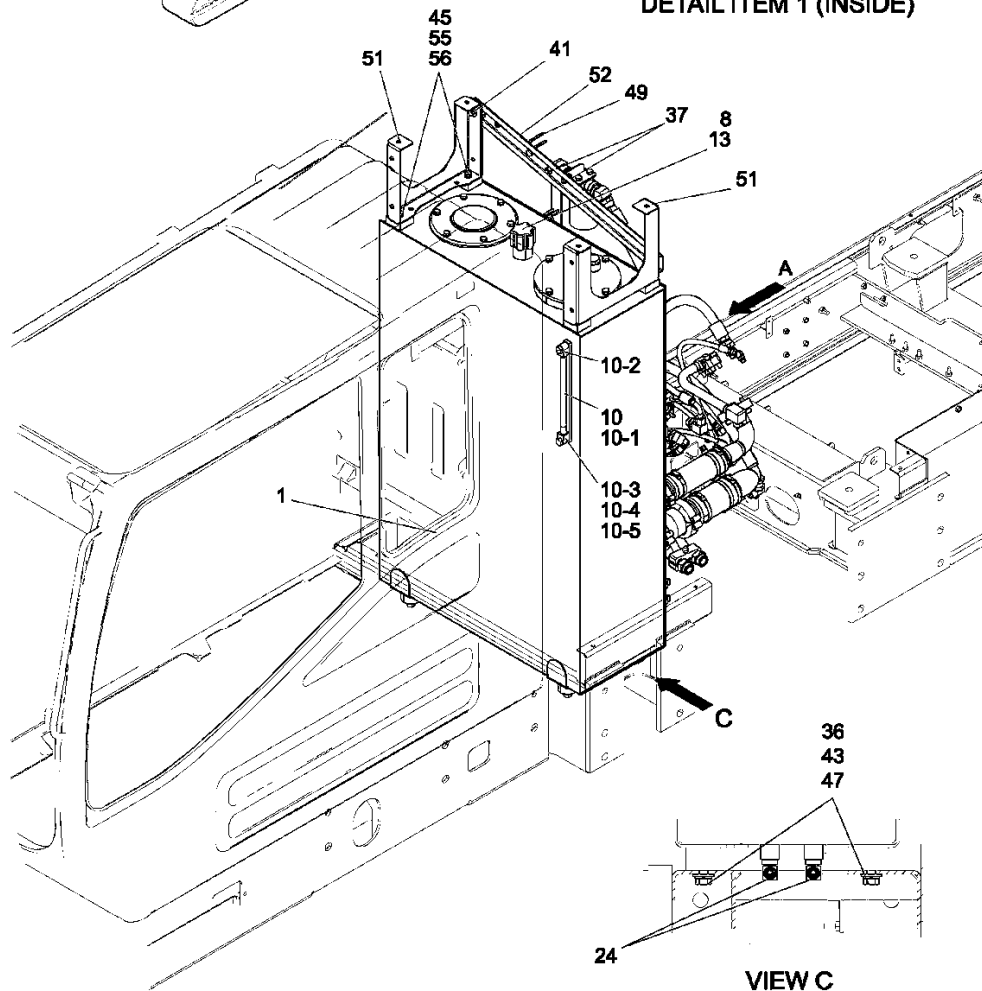


Manitowoc

TANK ASSY, HYD



DETAIL ITEM 1 (INSIDE)



VIEW C

Manitowoc

Description
TANK ASSY, HYD

Assembly No.
9999430939
Revision:

Item	FN	Part	Qty	Description
1	+	9999430941	1	TANK ASSY, HYD
2		9999425406	1	STRAINER, SUCTION
3	+	9999431073	1	ELEMENT, FILTER HYD TANK
4		9999431715	1	TUBE LINE
5	+	9999431038	1	VALVE INSTAL PUMP CNTRL VALVE
6	+	9999431039	1	VALVE INSTAL, RELIEF
7	+	9999422566	1	FILTER, DRAIN
8		9999405876	1	STRAINER
9		9999404534	1	VALVE, CHECK
10		9999408664	1	GAUGE, LEVEL, OIL
10-1		9999408665	1	GAUGE
10-2		9999422602	2	BOLT
10-3		9999422603	2	BLOCK
10-4		9999424422	2	O-RING
10-5		9999424421	4	O-RING
11		9999432172	1	SENSOR, TEMP
13		9999430472	1	CAP, FILLER
14		9999408165	1	BRACKET
15		9999423600	2	BRACKET
16		9999432067	1	HOSE ASSY
17		9999432245	1	HOSE ASSY
18		9999432337	1	HOSE ASSY
19		9999432256	1	HOSE ASSY
20		9999432259	1	HOSE ASSY
21		9999424479	3	CONNECTOR
22		9999424486	1	ELBOW, 90
23		9999424488	1	ELBOW, 90
24		9999424490	3	ELBOW, 90
25		9999424450	1	PLUG
26		9999432051	1	CONNECTOR
28		9999422514	1	ELBOW, 90
29		9999432056	1	ELBOW
30		9999424448	2	PLUG

+ SEE FURTHER BREAKDOWN THIS GROUP

Manitowoc

Description
TANK ASSY, HYD

Assembly No.
9999430939
Revision:

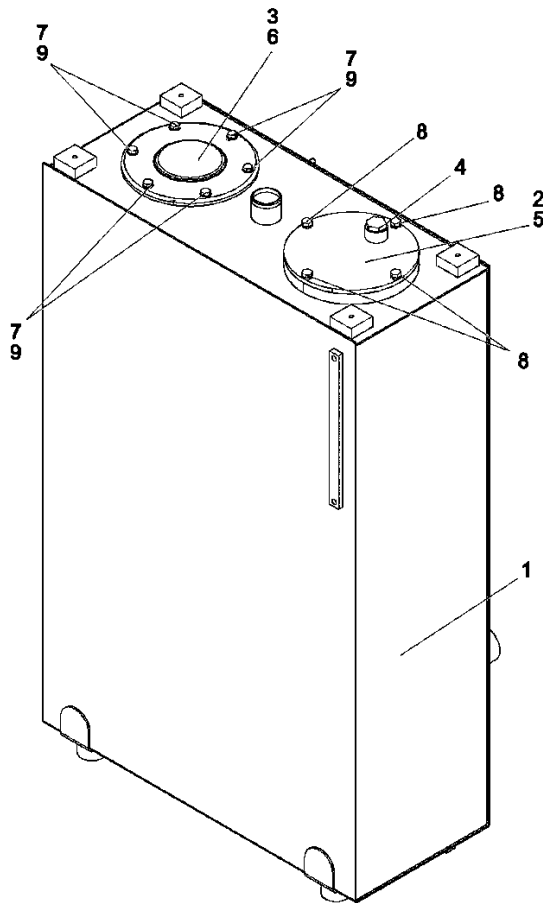
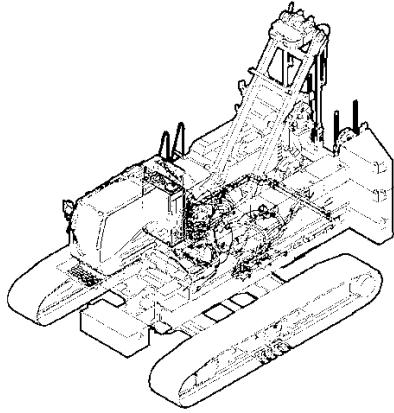
Item	FN	Part	Qty	Description
31		9999424449	2	PLUG
32		9999424451	1	PLUG
33		9999419432	1	FLANGE
34		9999422629	1	O-RING
35		9999431714	3	RUBBER
36		9999424717	4	CAPSCREW
37		9999419668	2	SEMS-BOLT
38		9999424693	5	BOLT
39		9999424565	6	NUT
40		9999424518	4	SEMS-BOLT
41		9999424526	4	SEMS-BOLT
42		9999421364	2	CAPSCREW
43		9999421388	4	LOCK WASHER
45		9999424877	9	LOCK WASHER
46		9999424876	8	LOCK WASHER
47		9999402775	4	WASHER,
48		9999408711	8	NUT
49		9999422461	8	CLIP
50		9999402774	2	WASHER,
51		9999431716	2	BRKT
52		9999431717	1	BRKT
53		9999432073	1	BRKT
55		9999421368	4	CAPSCREW
56		9999424855	4	WASHER,

Manitowoc

Notes

Manitowoc

TANK ASSY, HYD



Manitowoc

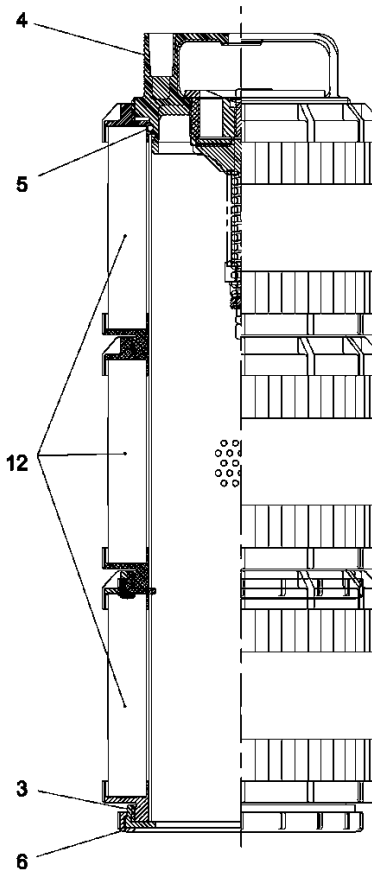
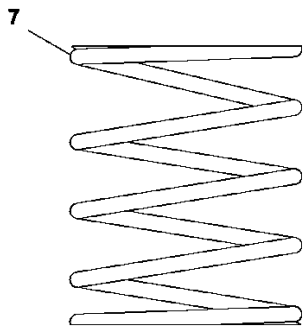
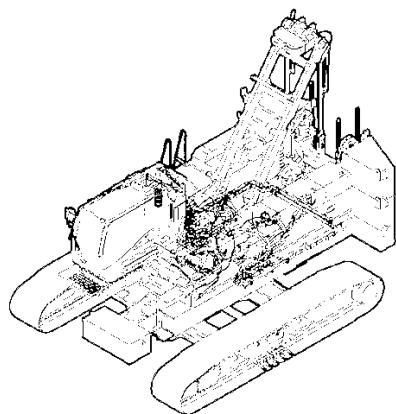
Description
TANK ASSY, HYD

Assembly No.
9999430941
Revision:

Item	FN	Part	Qty	Description
1		9999431871	1	TANK, OIL, HYD
2		9999422934	1	FLANGE
3		9999428310	1	COVER
4		9999424450	1	PLUG
5		9999424419	1	O-RING
6		9999426457	1	O-RING
7		9999424693	6	BOLT
8		9999419668	4	SEMS-BOLT
9		9999424855	6	WASHER,

Manitowoc

ELEMENT, FILTER HYD. TANK



8 : O-RING
 9 : ADAPTER
 10 : O-RING / NOT SHOWN

110
REPAIR KIT
 - CONSISTS OF ITEM -
 5, 6, 8 x1
 12 x3

210
REPAIR KIT
 - CONSISTS OF ITEM -
 3, 4, 5, 6, 7, 9 x1
 12 x3

310
REPAIR KIT
 - CONSISTS OF ITEM -
 5, 6, 10 x1
 12 x3

Manitowoc

Description

ELEMENT, FILTER HYD TANK

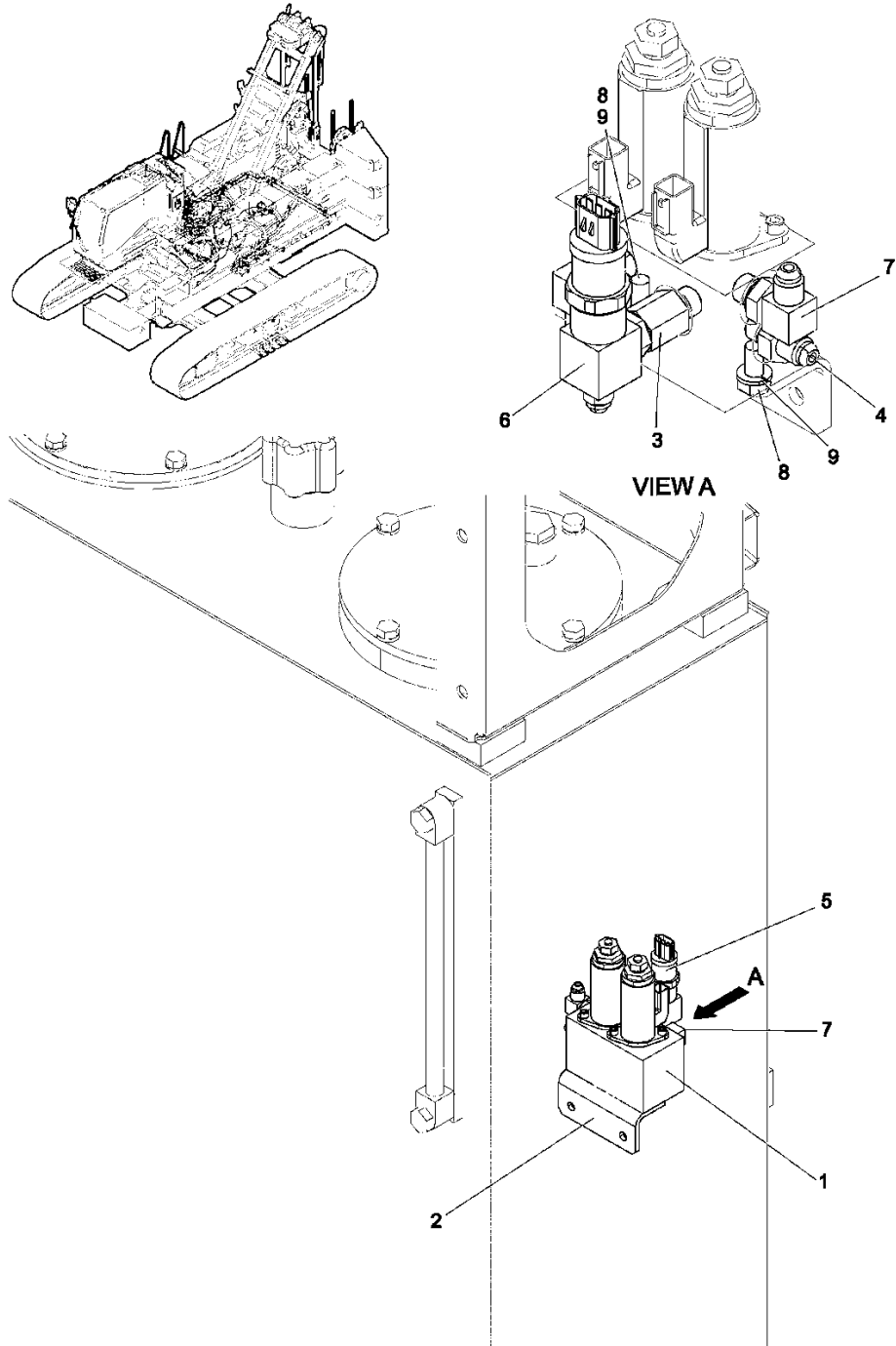
Assembly No.

9999431073

Revision:

Item	FN	Part	Qty	Description
3		9999428550	1	PLATE
4		9999428545	1	VALVE, CHECK
5		9999424412	1	O-RING
6		9999428551	1	PACKING
7		9999428304	1	SPRING
12		9999432173	3	ELEMENT, FILTER
110		9999432131	1	REPAIR KIT
210		9999432132	1	REPAIR KIT
310		9999432133	1	REPAIR KIT

VALVE INSTAL PUMP CONTROL VALVE



Manitowoc

Description

VALVE INSTAL PUMP CNTRL VALVE

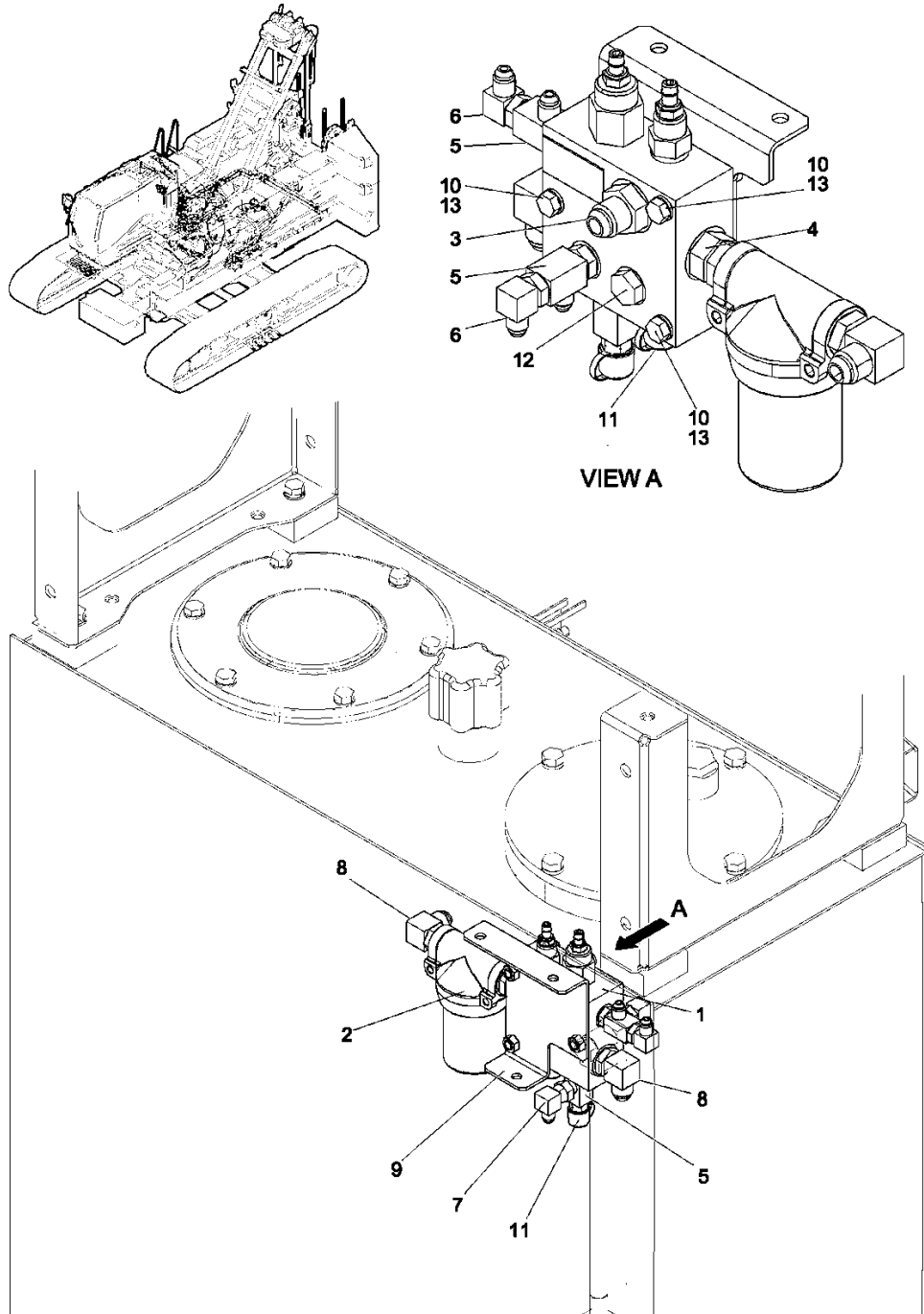
Assembly No.

9999431038

Revision:

Item	FN	Part	Qty	Description
1		9999431756	1	VALVE ASSY, SOLENOID
2		9999432008	1	BRKT
3		9999425240	1	CONNECTOR
4		9999424475	1	CONNECTOR
5		9999430139	1	SENSOR, PRESS
6		9999432140	1	TEE
7		9999424486	2	ELBOW, 90
8		9999424686	2	CAPSCREW
9		9999424876	2	LOCK WASHER

VALVE INSTAL REL IEF VALVE



Manitowoc

Description

VALVE INSTAL, RELIEF

Assembly No.

9999431039

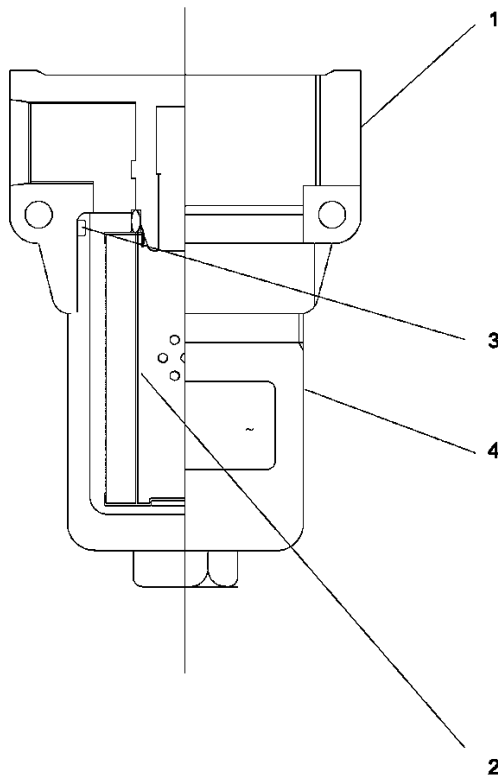
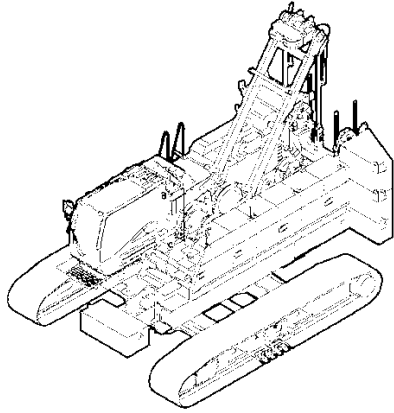
Revision:

Item	FN	Part	Qty	Description
1		9999425972	1	VALVE BLOCK ASSY
2	+	9999429496	1	FILTER, LINE
3		9999424479	1	CONNECTOR
4		9999405278	1	CONNECTOR
5		9999425243	3	TEE
6		9999424486	2	ELBOW, 90
7		9999431128	1	ELBOW
8		9999424490	2	ELBOW, 90
9		9999432009	1	BRKT
10		9999424876	3	LOCK WASHER
11		9999406548	2	PLUG
12		9999424447	1	PLUG
13		9999426494	3	CAPSCREW

+ SEE FURTHER BREAKDOWN THIS GROUP

Manitowoc

FILTER ASSY, IN LINE HYD. TANK



Manitowoc

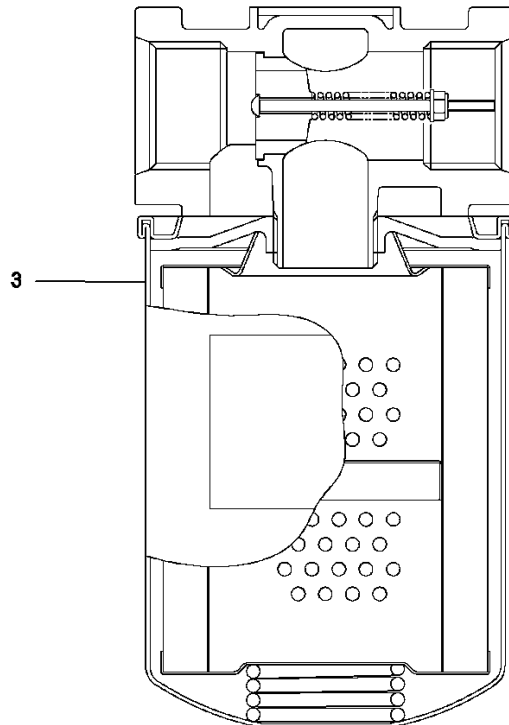
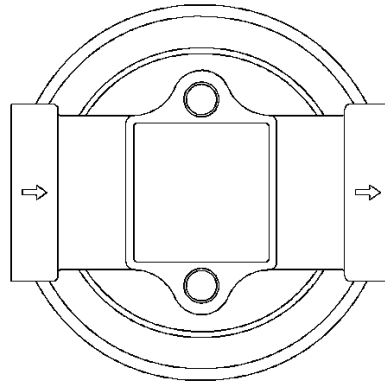
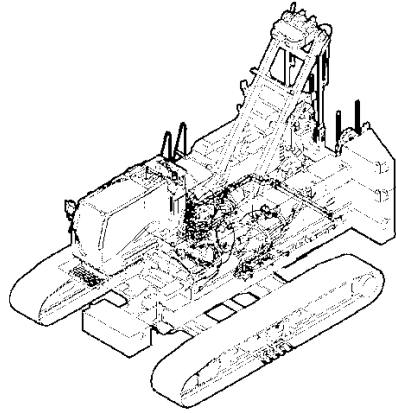
Description
FILTER, LINE

Assembly No.
9999429496
Revision:

Item	FN	Part	Qty	Description
1		9999430092	1	COVER
2		9999424323	1	FILTER
3		9999430002	1	O-RING
4		9999430093	1	CASE

Manitowoc

FILTER, DRAIN HYD. TANK



Manitowoc

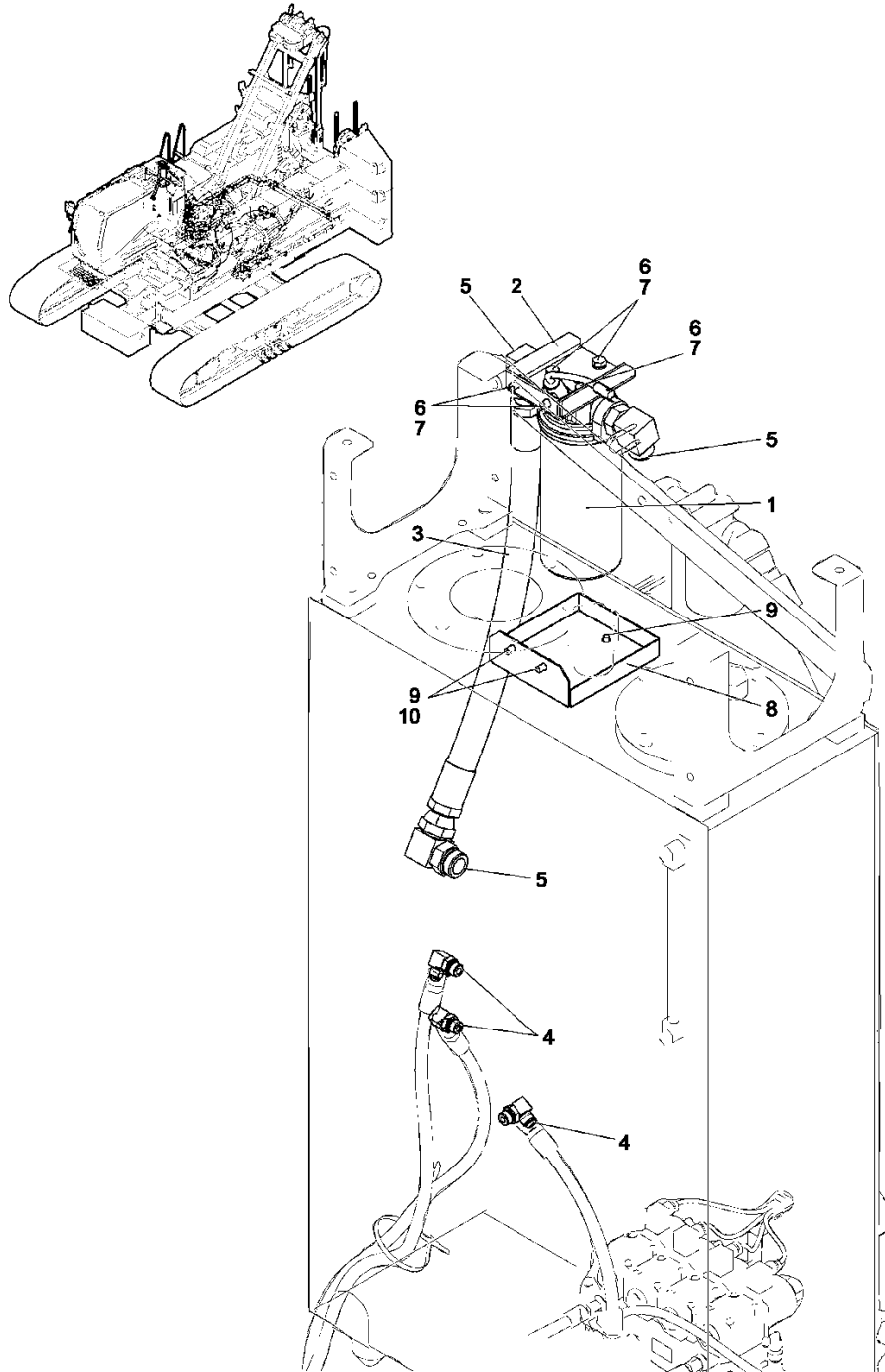
Description
FILTER, DRAIN

Assembly No.
9999422566
Revision:

Item	FN	Part	Qty	Description
3		9999421442	1	CARTRIDGE, MODE

Manitowoc

TANK ASSY, HYD
WITH FREE FALL



Manitowoc

Description

TANK ASSY, HYD W/ FREE FALL

Assembly No.

9999430940

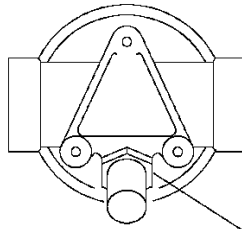
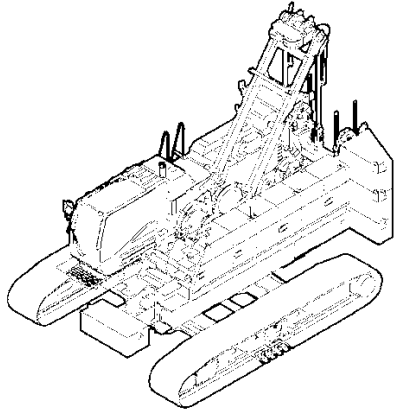
Revision:

Item	FN	Part	Qty	Description
1	+	9999430091	1	FILTER ASSY, OIL
2		9999408162	1	BRACKET
3		9999431121	1	HOSE ASSY
4		9999424490	3	ELBOW, 90
5		9999422513	3	ELBOW, 90
6		9999421373	5	CAPSCREW
7		9999421387	5	LOCK WASHER
8		9999431718	1	BRKT
9		9999432230	3	CAPSCR
10		9999424877	2	LOCK WASHER

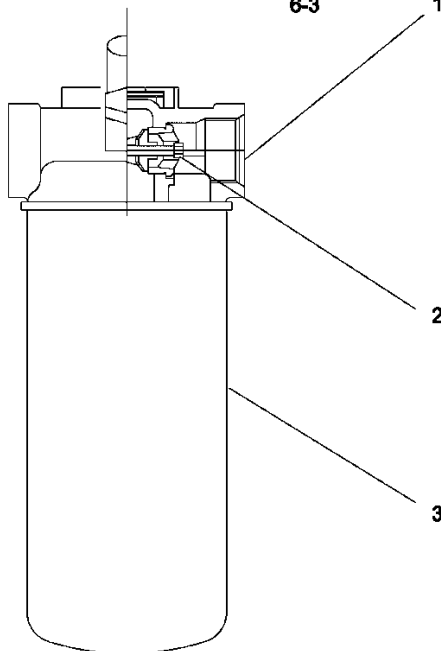
+ SEE FURTHER BREAKDOWN THIS GROUP

Manitowoc

FILTER ASSY, OIL
HYD. TANK / WITH FREE FALL



6
6-2
6-3



Manitowoc

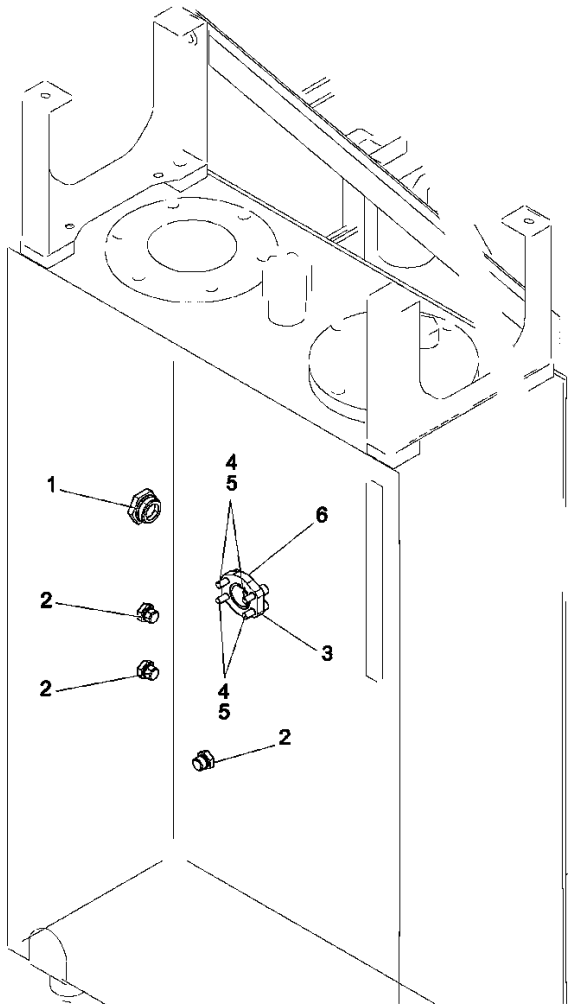
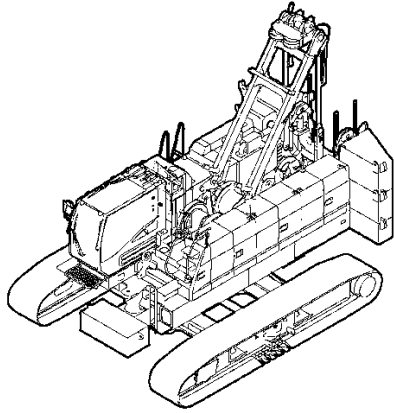
Description
FILTER ASSY, OIL

Assembly No.
9999430091
Revision:

Item	FN	Part	Qty	Description
1		9999423583	1	BODY
2		9999423584	1	VALVE ASSY
3		9999421443	1	CARTRIDGE
6		90014052	1	SWITCH, PRESSURE
6-2		9999424430	1	O-RING
6-3		9999430008	1	O-RING

Manitowoc

TANK ASSY, HYD
WITHO. FREE FALL



Manitowoc

Description

TANK ASSY, HYD W/O FREE FALL

Assembly No.

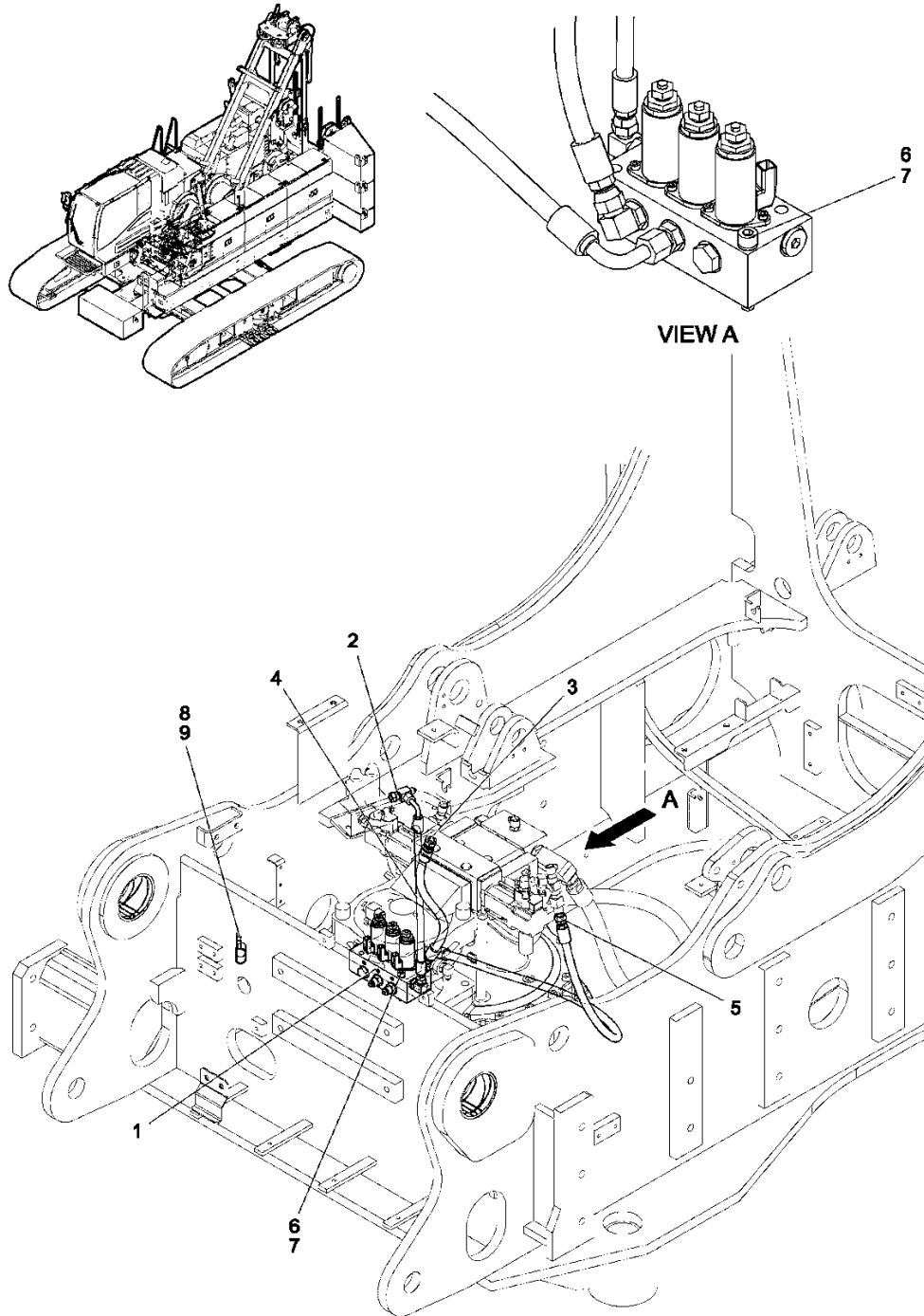
9999430942

Revision:

Item	FN	Part	Qty	Description
1		9999422518	1	PLUG
2		9999424449	3	PLUG
3		9999424442	1	PLUG
4		9999421384	4	CAPSCREW
5		9999424867	4	LOCK WASHER
6		9999424435	1	O-RING

Manitowoc

VALVE INSTAL
FUNCTION CUT VALVE / SWING AUTOMATIC OPERATION STOP / OPT.



Manitowoc

Description

**VALVE INSTAL FUNCTION CUT VALVE / SWING AUTOMATIC
OPERATION STOP**

Assembly No.

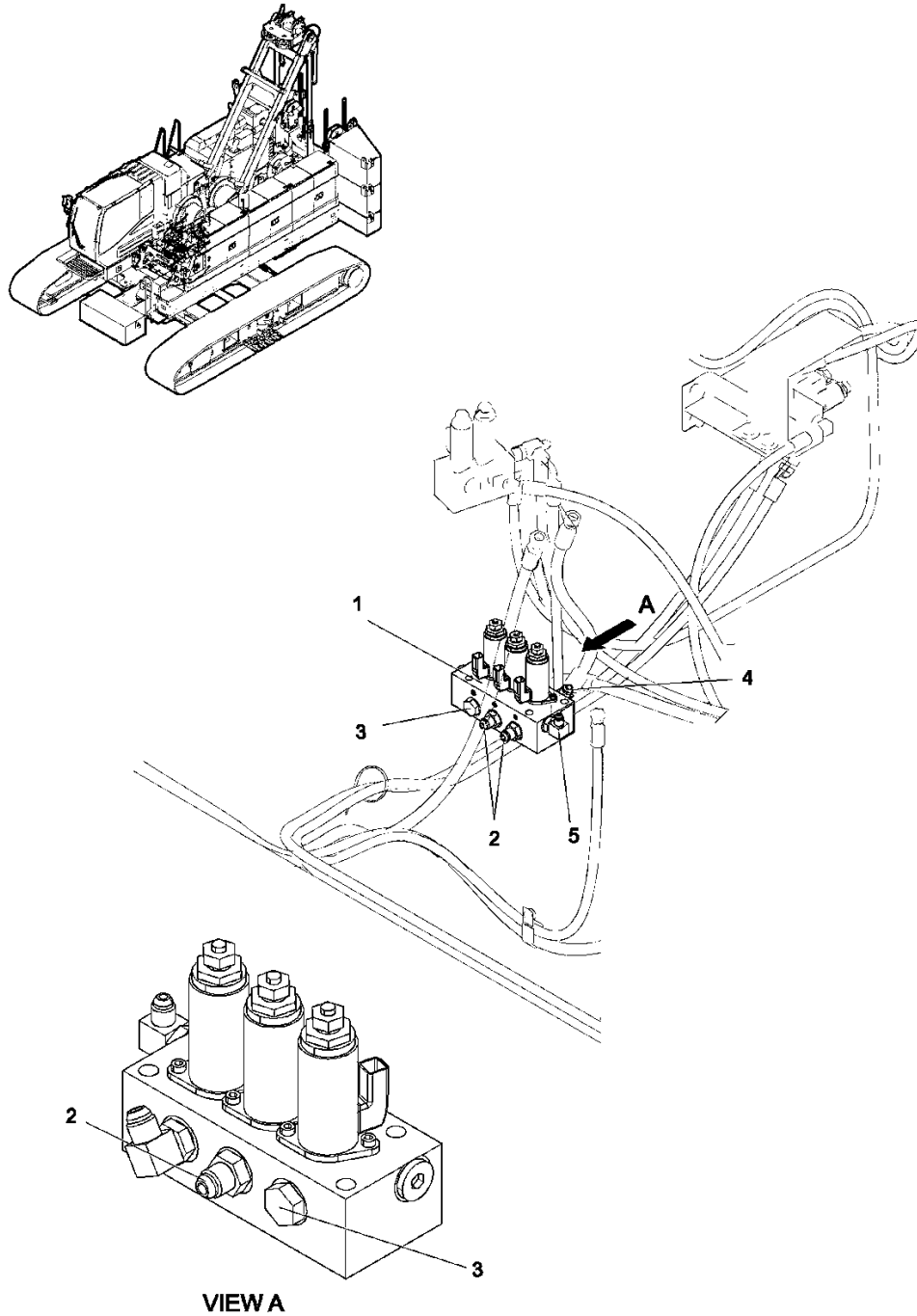
9999431022

Revision:

Item	FN	Part	Qty	Description
1	+	9999431021	1	VALVE ASSY FUNCTION CUT VALVE
2		9999422543	1	TEE
3		9999432266	1	HOSE ASSY
4		9999432312	1	HOSE ASSY
5		9999424960	1	HOSE ASSY
6		9999424867	2	LOCK WASHER
7		9999432235	2	CAPSCR
8		9999424405	1	CLIP
9		9999408711	1	NUT

+ SEE FURTHER BREAKDOWN THIS GROUP

VALVE ASSY FUNCTION CUT VALVE



Manitowoc

Description

VALVE ASSY FUNCTION CUT VALVE

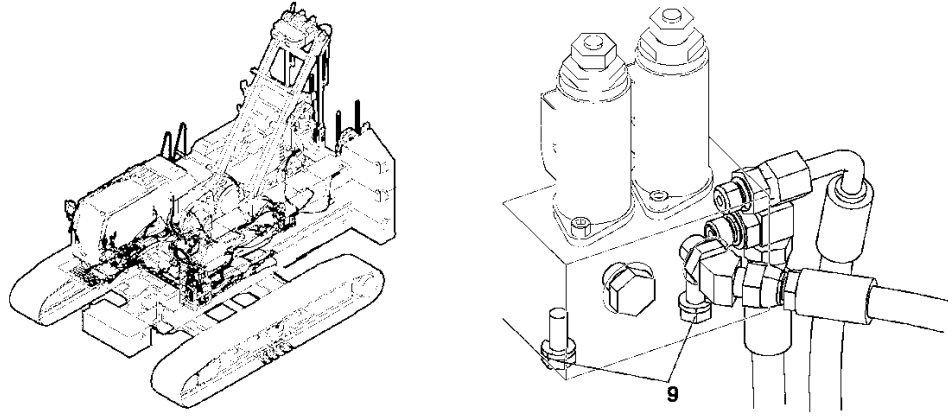
Assembly No.

9999431021

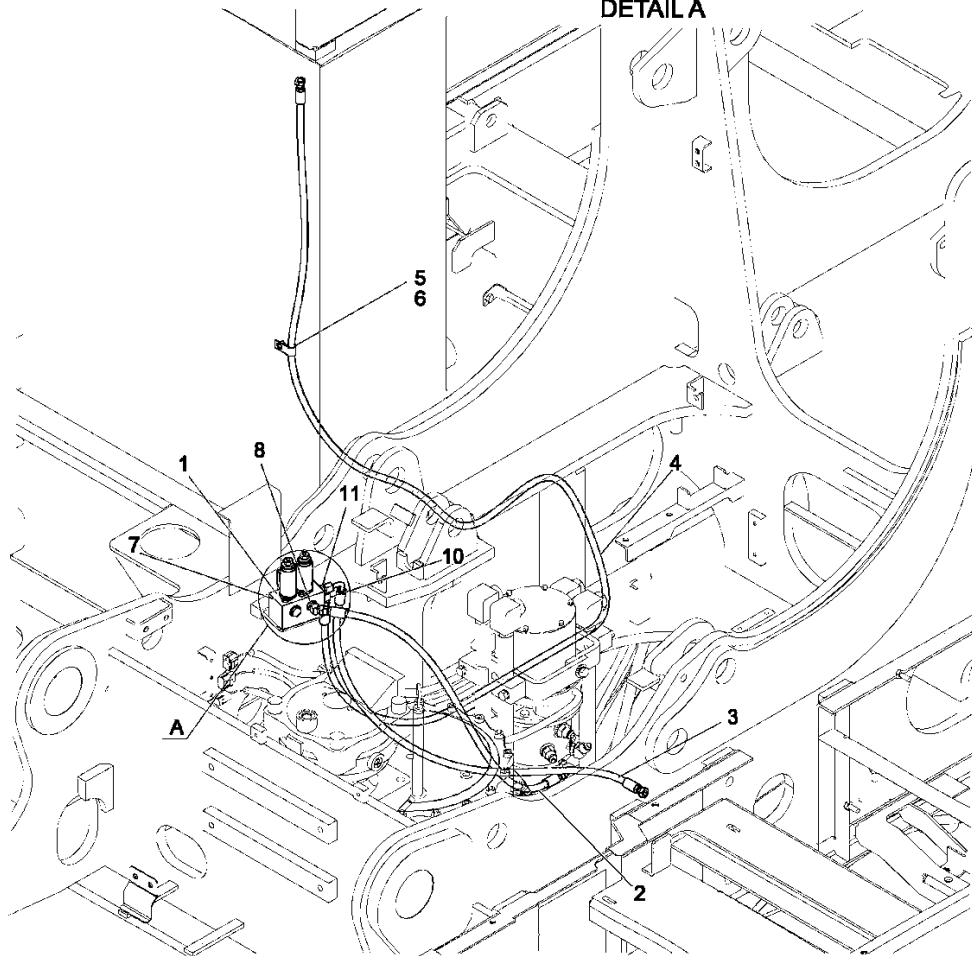
Revision:

Item	FN	Part	Qty	Description
1		9999431156	1	VALVE, SOLENOID
2		9999424477	3	CONNECTOR
3		9999424448	2	PLUG
4		9999424488	1	ELBOW, 90
5		9999424487	1	ELBOW, 90

VALVE INSTAL 2-SECTION VALVE / PROPEL 2nd



DETAIL A



Manitowoc

Description

VALVE INSTAL 2-SECTION VALVE / PROPEL 2nd

Assembly No.

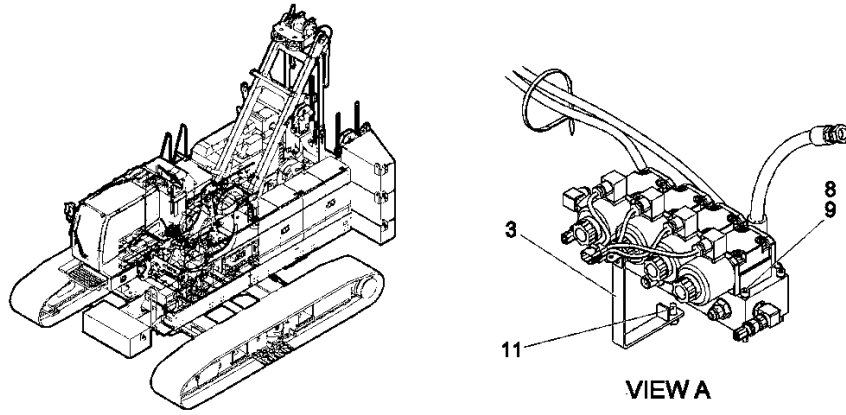
9999431040

Revision:

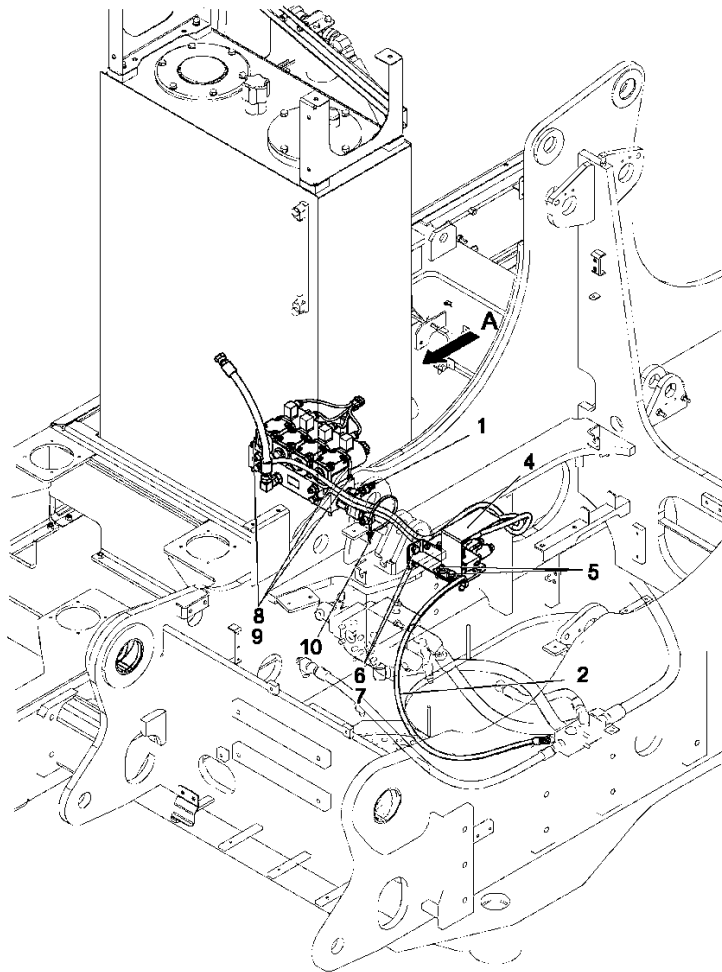
Item	FN	Part	Qty	Description
1		9999432168	1	VALVE ASSY, SOLENOID
2		9999432260	1	HOSE ASSY
3		9999432319	1	HOSE ASSY
4		9999424894	1	HOSE ASSY
5		9999419252	1	CLIP
6		9999408711	1	NUT
7		9999424447	1	PLUG
8		9999424496	1	ELBOW, 45
9		9999424513	2	SEMS-BOLT
10		9999424061	1	ELBOW
11		9999424475	1	CONNECTOR

Manitowoc

VALVE INSTAL WET TYPE BRAKE CONTROL



VIEW A



Manitowoc

Description

VALVE INSTAL WET TYPE BRAKE CNTRL

Assembly No.

9999431033

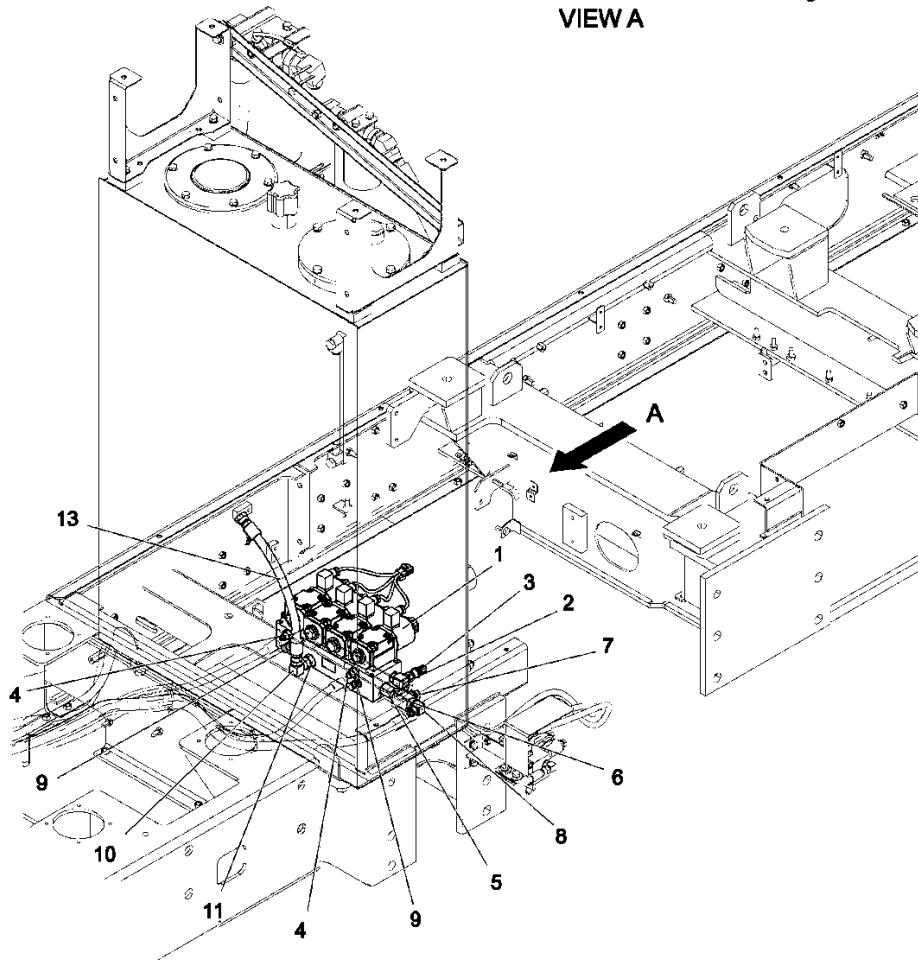
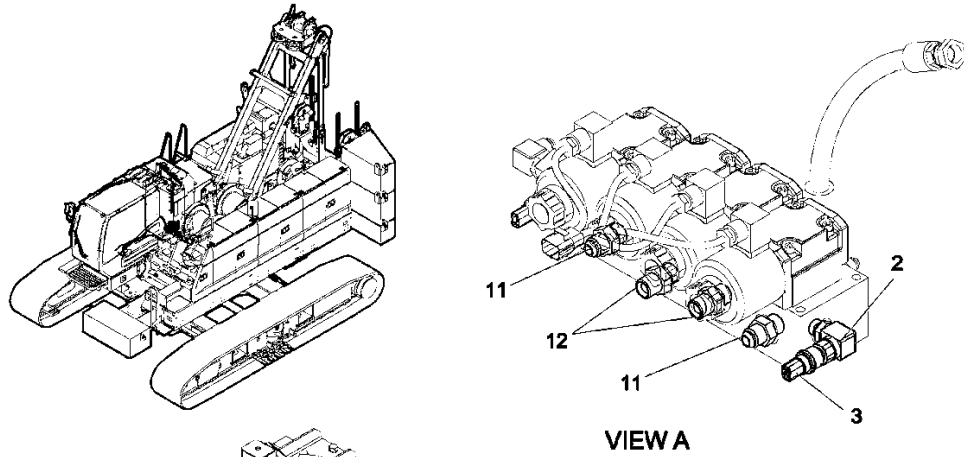
Revision:

Item	FN	Part	Qty	Description
1	+	9999431032	1	VALVE INSTAL 4-SECTION VALVE / WET TYPE BRAKE
2	+	9999431030	1	VALVE INSTAL 3-SECTION VALVE /
3		9999431278	1	BRKT
4		9999432001	1	PLATE
5		9999424526	2	SEMS-BOLT
6		9999419667	2	SEMS-BOLT
7		9999424855	2	WASHER,
8		9999432065	4	CAPSCR
9		9999424866	4	LOCK WASHER
10		9999406275	1	CLIP
11		9999424522	1	SEMS-BOLT

+ SEE FURTHER BREAKDOWN THIS GROUP

Manitowoc

VALVE INSTAL 4-SECTION VALVE / WET TYPE BRAKE



Manitowoc

Description

VALVE INSTAL 4-SECTION VALVE / WET TYPE BRAKE

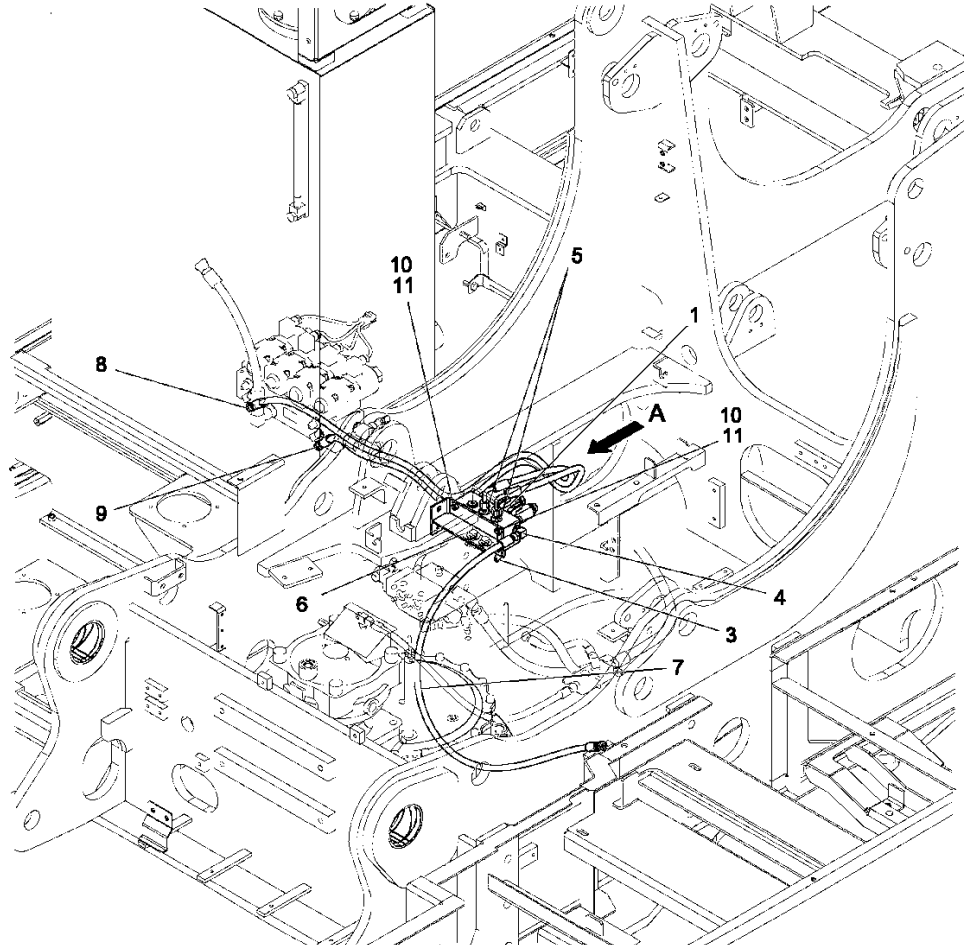
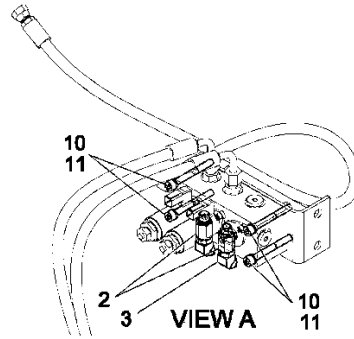
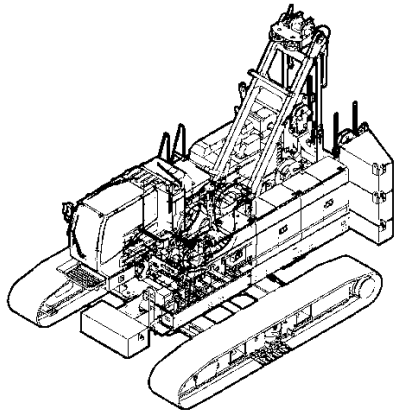
Assembly No.

9999431032

Revision:

Item	FN	Part	Qty	Description
1		9999421488	1	VALVE ASSY, SOLENOID
2		9999424358	2	ELBOW, 90
3		9999426022	2	SENSOR, PRESS
4		9999424477	2	CONNECTOR
5		9999429425	1	CONNECTOR
6		9999422537	1	TEE
7		9999422548	1	PLUG
8		9999408706	1	ELBOW, 90
9		9999424486	2	ELBOW, 90
10		9999429741	1	ELBOW, 90
11		9999424479	3	CONNECTOR
12		9999432050	2	CONNECTOR
13		9999432288	1	HOSE ASSY

VALVE INSTAL 3-SECTION VALVE /



Manitowoc

Description

VALVE INSTAL 3-SECTION VALVE /

Assembly No.

9999431030

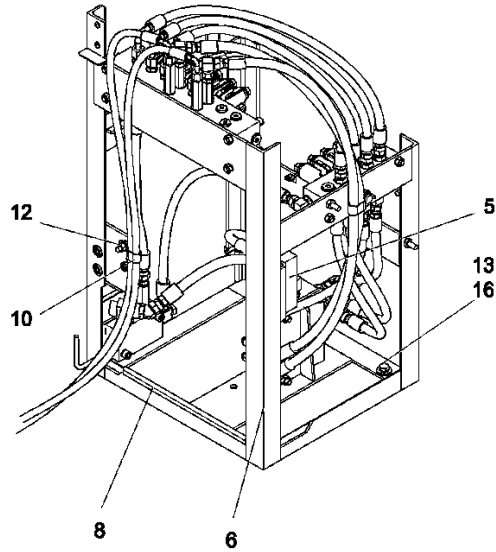
Revision:

Item	FN	Part	Qty	Description
1		9999432102	1	VALVE ASSY, SOLENOID
2		9999431165	2	CONNECTOR
3		9999424496	2	ELBOW, 45
4		9999424486	1	ELBOW, 90
5		9999424475	2	CONNECTOR
6		9999432000	1	BRKT
7		9999424890	1	HOSE ASSY
8		9999432320	1	HOSE ASSY
9		9999424949	1	HOSE ASSY
10		9999424866	4	LOCK WASHER
11		9999424762	4	CAPSCREW

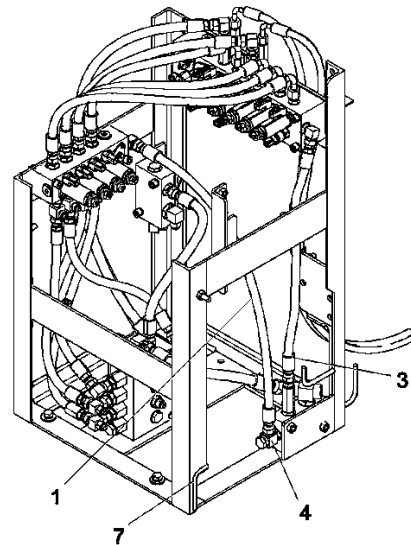
Manitowoc

Notes

Manitowoc

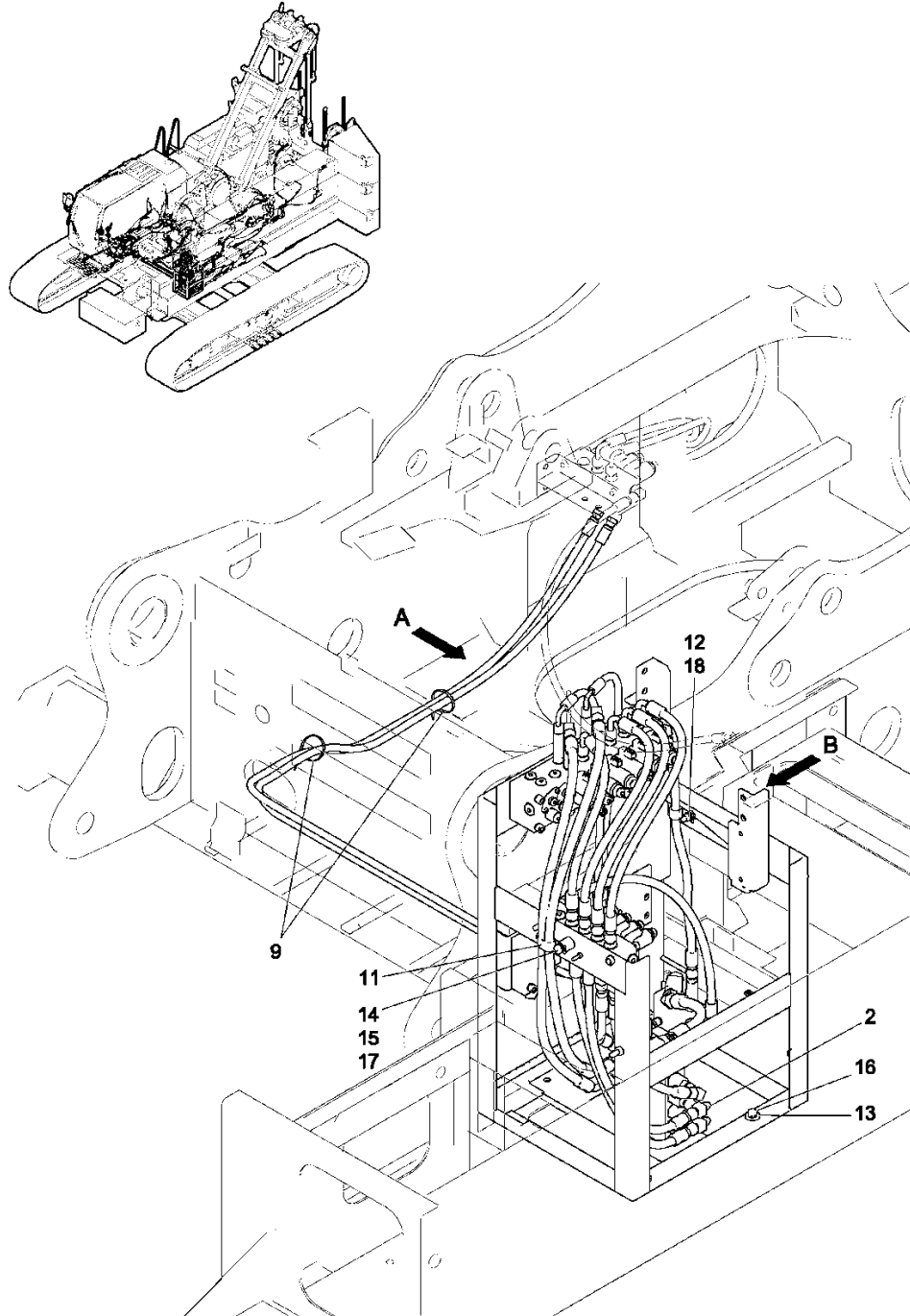


DETAIL A



DETAIL B

CONTROL LINES, VALVE LEFT DECK



Manitowoc

Description
CNTRL LINES, VALVE LH DECK

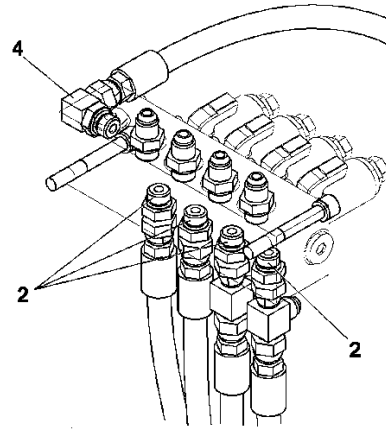
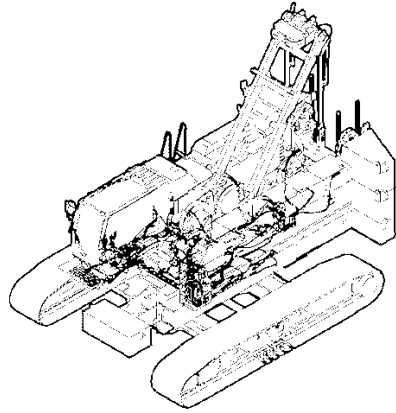
Assembly No.
9999431018
 Revision:

Item	FN	Part	Qty	Description
1	+	9999431024	1	VALVE INSTAL 5-SECTION VALVE / LIMIT STOP
2	+	9999431028	1	VALVE INSTAL 4-SECTION VALVE / MOTOR BRAKE
3	+	9999431026	1	VALVE INSTAL 8-SECTION VALVE / W/ SHUTTLE
4	+	9999430936	1	HYD LINES, RETURN RETURN BLOCK
5	+	9999430931	1	HYD LINES, DELIVERY HYD SOURCE VALVE
6		9999432007	1	BRKT
7		9999431106	2	TRIM
8		9999431112	1	TRIM
9		9999406274	2	CLIP
10		9999432186	1	CLIP
11		9999424405	1	CLIP
12		9999408711	2	NUT
13		9999422194	3	WASHER,
14		9999424855	1	WASHER,
15		9999424877	1	LOCK WASHER
16		9999424515	3	SEMS-BOLT
17		9999424693	1	BOLT
18		9999424393	1	CLIP

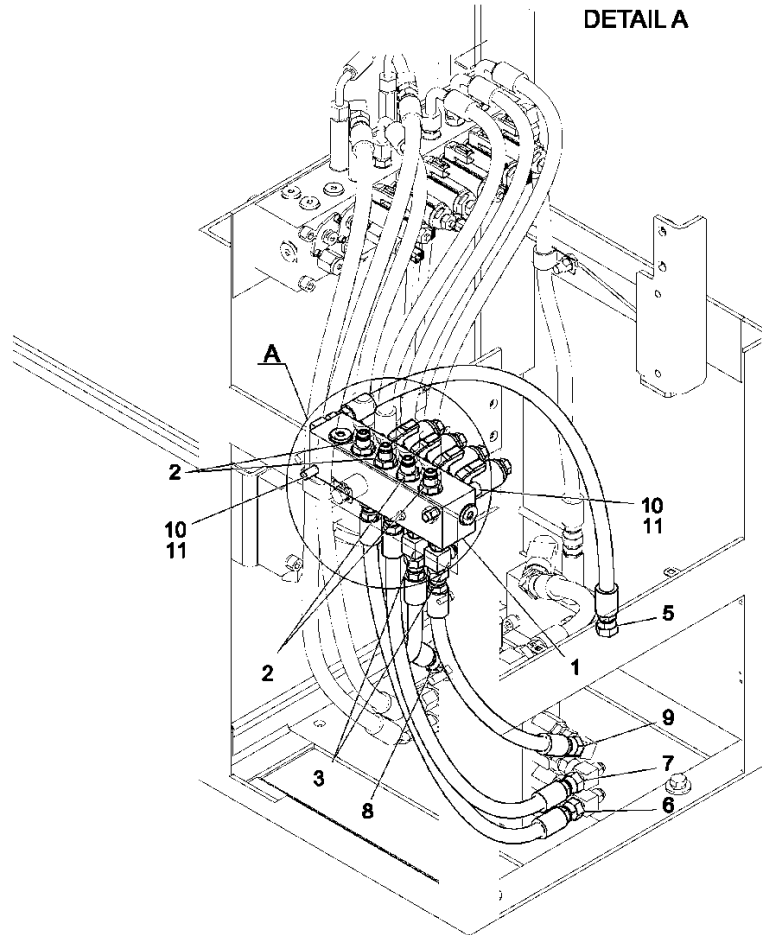
+ SEE FURTHER BREAKDOWN THIS GROUP

Manitowoc

VALVE INSTAL 5-SECTION VALVE / LIMIT STOP



DETAIL A



Manitowoc

Description

VALVE INSTAL 5-SECTION VALVE / LIMIT STOP

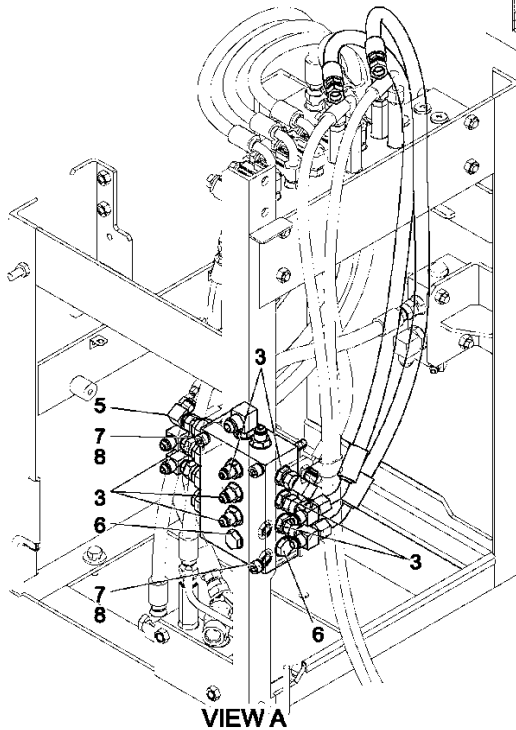
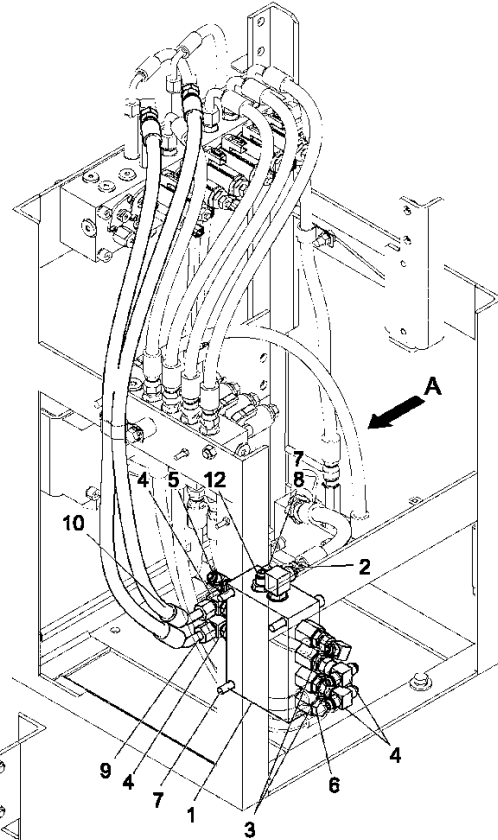
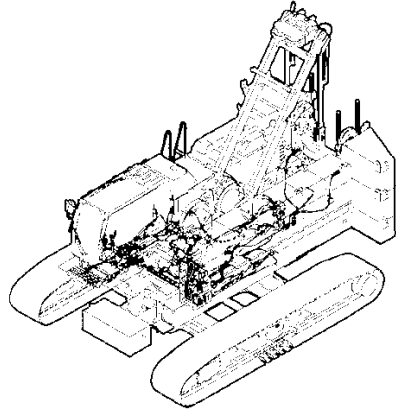
Assembly No.

9999431024

Revision:

Item	FN	Part	Qty	Description
1		9999432101	1	VALVE ASSY, SOLENOID
2		9999424477	8	CONNECTOR
3		9999431130	2	TEE
4		9999424488	1	ELBOW, 90
5		9999424901	1	HOSE ASSY
6		9999424899	1	HOSE ASSY
7		9999432266	1	HOSE ASSY
8		9999432265	1	HOSE ASSY
9		9999424898	1	HOSE ASSY
10		9999424867	2	LOCK WASHER
11		9999432236	2	CAPSCR

VALVE INSTAL 4-SECTION VALVE / MOTOR BRAKE



Manitowoc

Description

VALVE INSTAL 4-SECTION VALVE / MOTOR BRAKE

Assembly No.

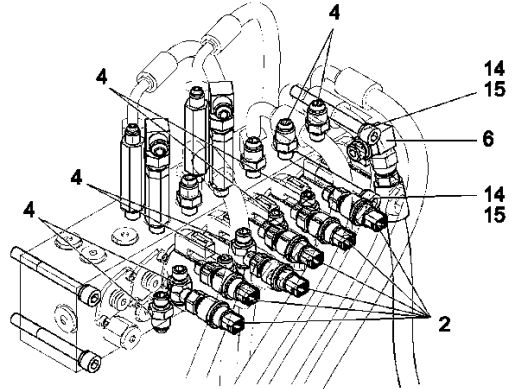
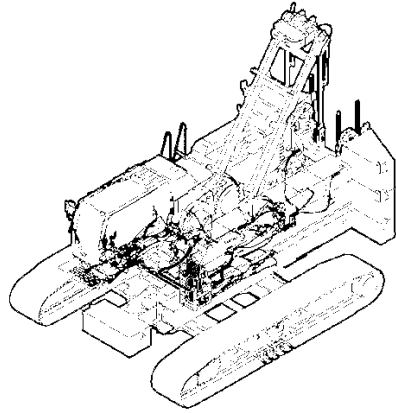
9999431028

Revision:

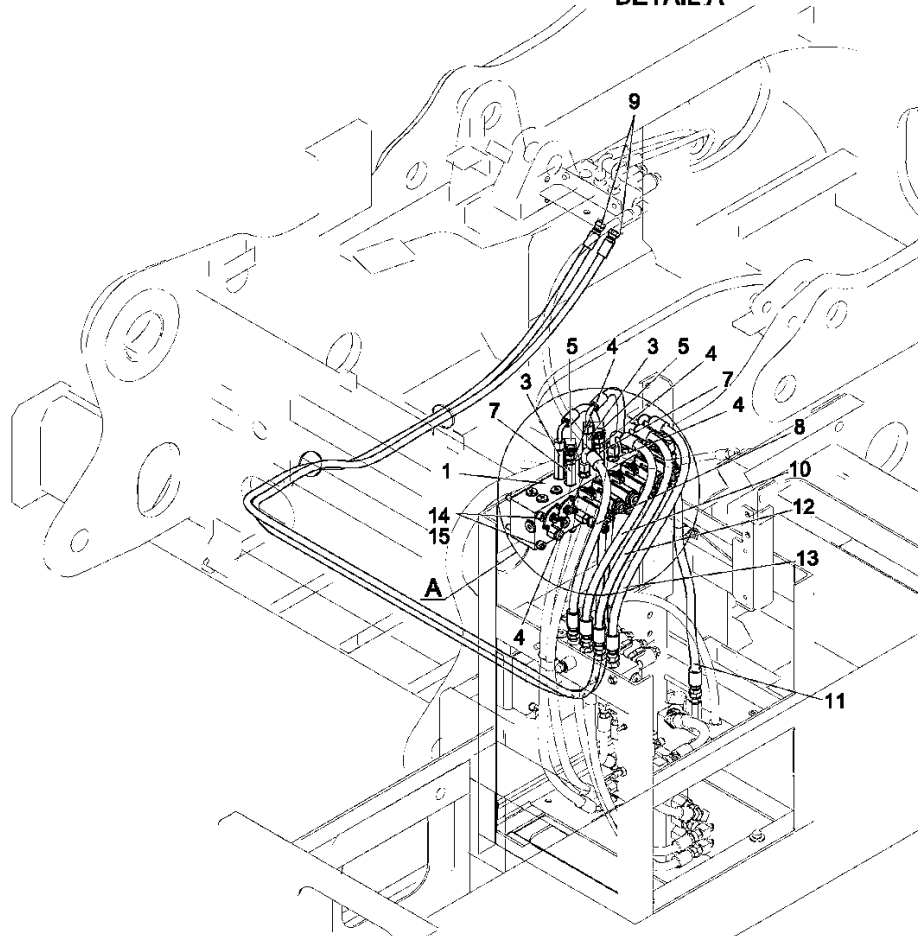
Item	FN	Part	Qty	Description
1		9999431462	1	VALVE BLOCK
2		9999422516	1	ELBOW
3		9999424477	9	CONNECTOR
4		9999431138	4	TEE
5		9999427930	2	ELBOW
6		9999424448	3	PLUG
7		9999432237	3	CAPSCR
8		9999424867	3	LOCK WASHER
9		9999432343	1	HOSE ASSY
10		9999432342	1	HOSE ASSY
12		9999408699	1	CONNECTOR

Manitowoc

VALVE INSTAL 8-SECTION VALVE / WITH SHUTTLE



DETAIL A



Manitowoc

Description

VALVE INSTAL 8-SECTION VALVE / W/ SHUTTLE

Assembly No.

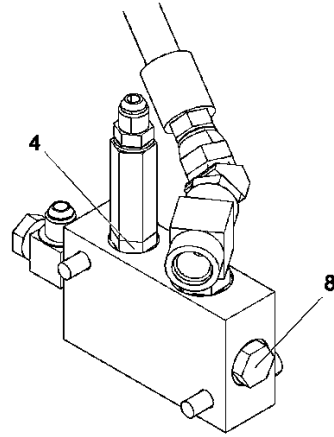
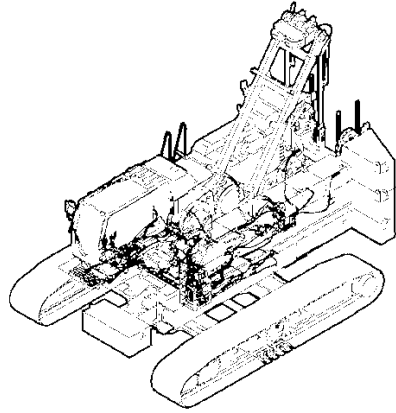
9999431026

Revision:

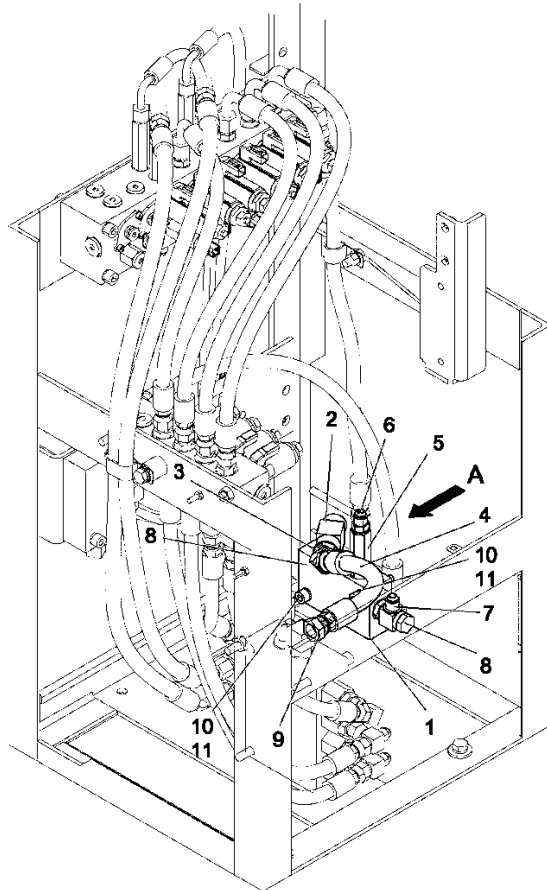
Item	FN	Part	Qty	Description
1		9999431461	1	VALVE BLOCK ASSY
2		9999430134	6	SENSOR, PRESS
3		9999432052	2	CONNECTOR
4		9999422541	12	CONNECTOR
5		9999427930	2	ELBOW
6		9999424488	1	ELBOW, 90
7		9999431139	2	CONNECTOR
8		9999424951	1	HOSE ASSY
9		9999432322	2	HOSE ASSY
10		9999432266	1	HOSE ASSY
11		9999432325	1	HOSE ASSY
12		9999424956	1	HOSE ASSY
13		9999424957	1	HOSE ASSY
14		9999424768	4	CAPSCREW
15		9999424867	4	LOCK WASHER

Manitowoc

HYD LINES, RETURN
RETURN BLOCK



VIEW A



Manitowoc

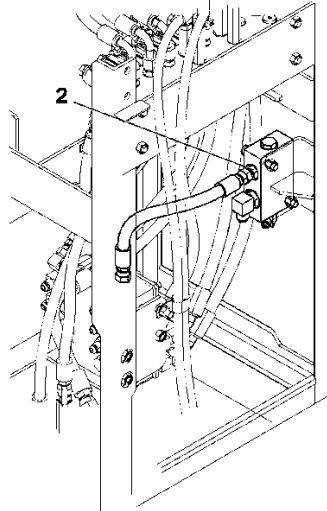
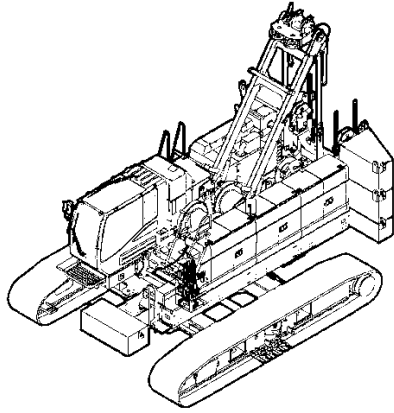
Description
HYD LINES, RETURN RETURN BLOCK

Assembly No.
9999430936
Revision:

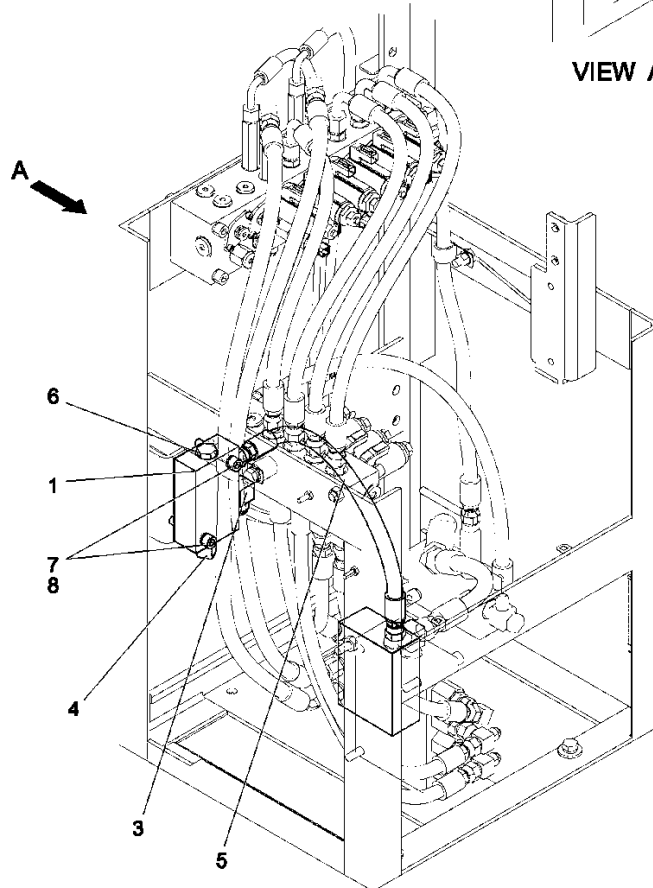
Item	FN	Part	Qty	Description
1		9999431998	1	MANIFOLD
2		9999428306	1	TEE
3		9999424498	1	ELBOW, 45
4		9999425233	1	CONNECTOR
5		9999425224	1	VALVE, CHECK
6		9999422541	1	CONNECTOR
7		9999430611	1	TEE
8		9999424448	2	PLUG
9		9999432287	1	HOSE ASSY
10		9999424867	2	LOCK WASHER
11		9999432233	2	CAPSCR

Manitowoc

HYD LINES, DELIVERY
HYD. SOURCE VALVE



VIEW A



Manitowoc

Description

HYD LINES, DELIVERY HYD SOURCE VALVE

Assembly No.

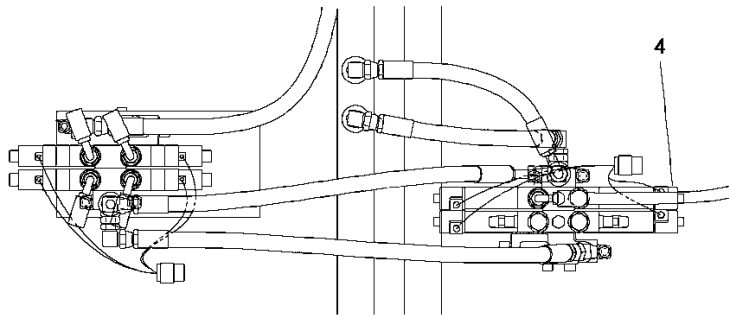
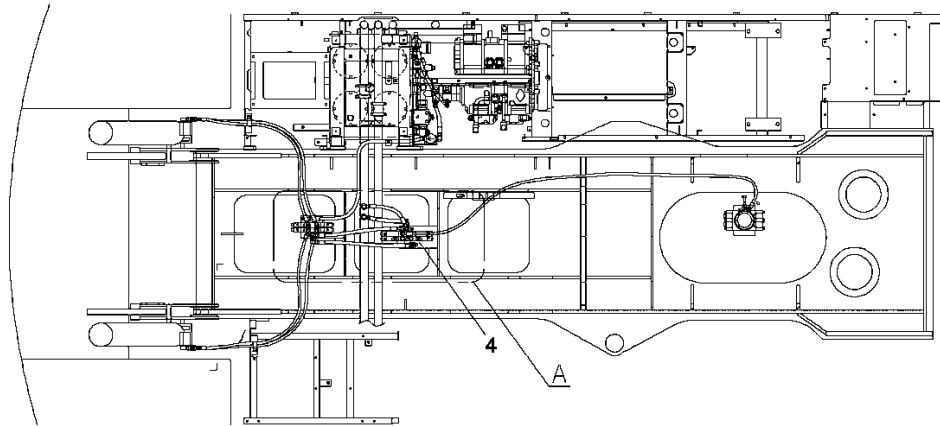
9999430931

Revision:

Item	FN	Part	Qty	Description
1		9999431998	1	MANIFOLD
2		9999424477	1	CONNECTOR
3		9999424490	1	ELBOW, 90
4		9999424487	1	ELBOW, 90
5		9999424898	1	HOSE ASSY
6		9999424448	1	PLUG
7		9999424867	2	LOCK WASHER
8		9999432234	2	CAPSCR

Manitowoc

VALVE ASSY, CONTROL



DETAIL A

Manitowoc

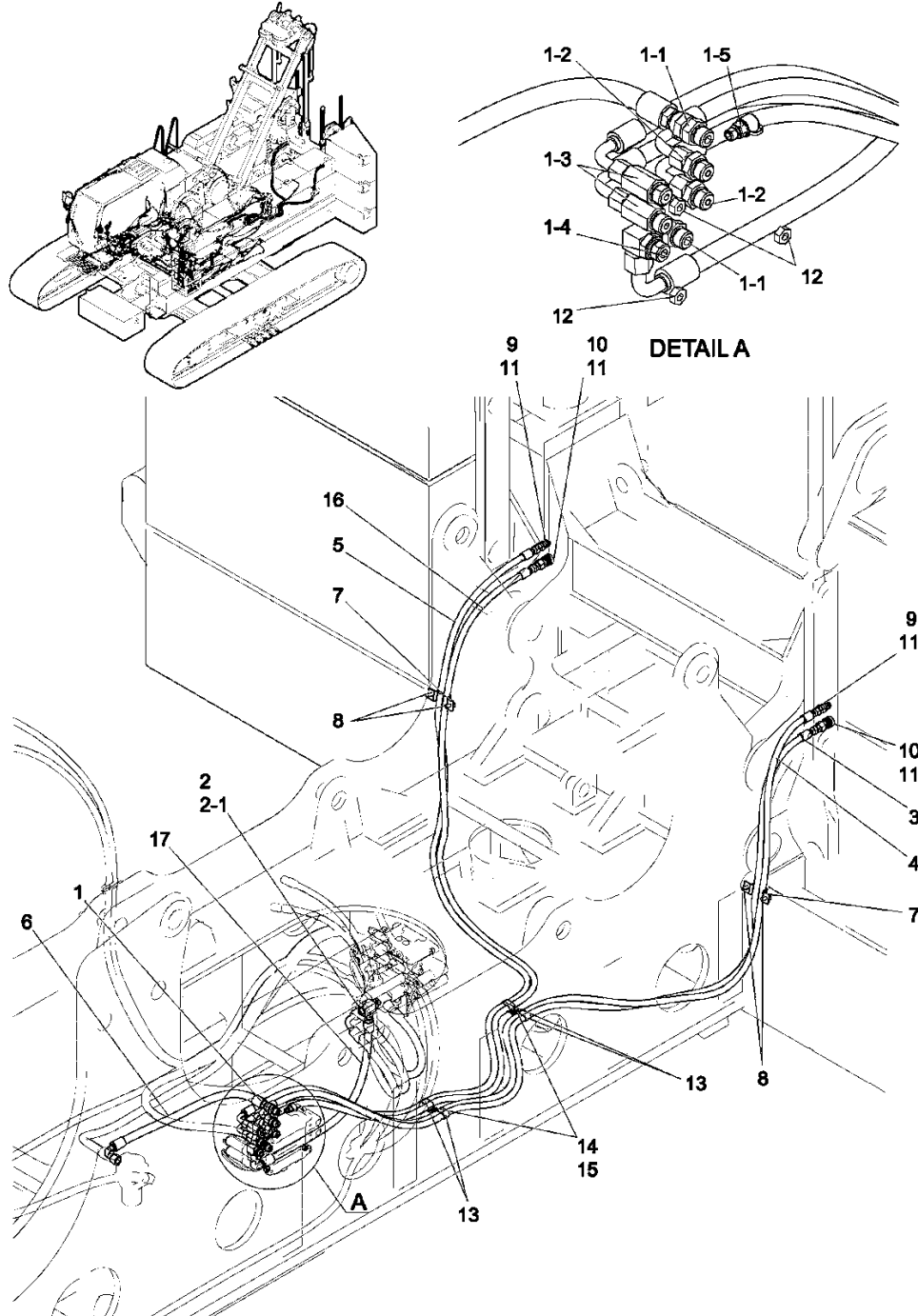
Description
VALVE ASSY, CNTRL

Assembly No.
9999430467
Revision:

Item	FN	Part	Qty	Description
4		9999428298	1	VALVE ASSY, CONTROL

Manitowoc

VALVE INSTAL
C/W REMOVABLE / STD.



Manitowoc

Description

VALVE INSTAL C/W REMOVABLE / STD

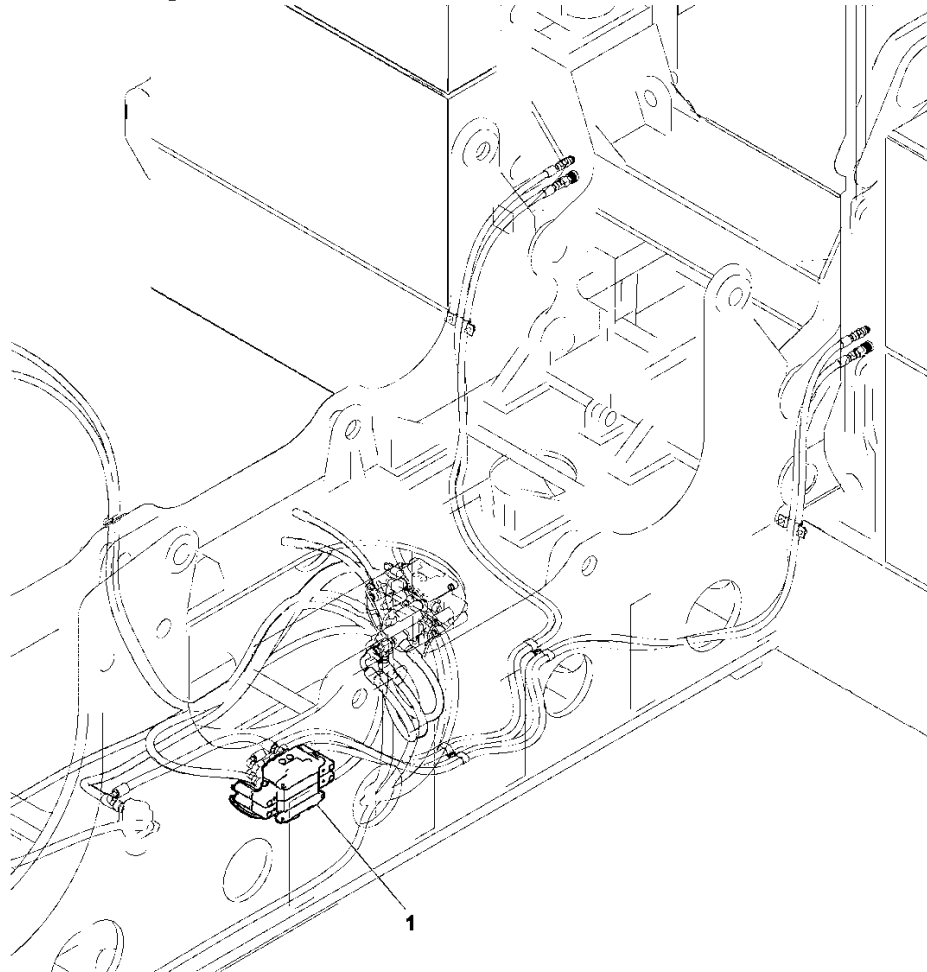
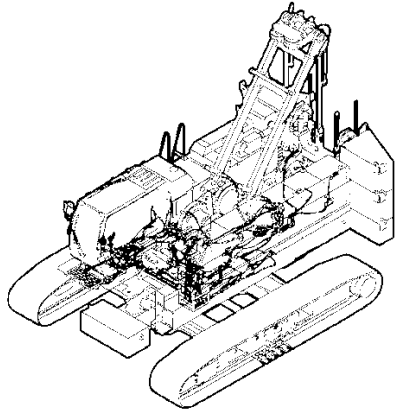
Assembly No.

9999431019

Revision:

Item	FN	Part	Qty	Description
1		9999432005	1	CONNECTOR ASSY
1-1		9999424479	2	CONNECTOR
1-2		9999424478	2	CONNECTOR
1-3		9999428267	2	CONNECTOR
1-4		9999424490	1	ELBOW, 90
1-5		9999406548	1	PLUG
2		9999432006	1	CONNECTOR ASSY
2-1		9999422537	1	TEE
3		9999432332	1	HOSE ASSY
4		9999426570	1	HOSE ASSY
5		9999432333	1	HOSE ASSY
6		9999420939	1	HOSE
7		9999431999	2	CLAMP
8		9999424522	4	SEMS-BOLT
9		9999405201	2	CONNECTOR
10		9999425232	2	BODY
11		9999424477	4	CONNECTOR
12		9999424567	3	NUT
13		9999424405	4	CLIP
14		9999424856	2	WASHER,
15		9999408711	2	NUT
16		9999426571	1	HOSE ASSY
17		9999420836	1	HOSE

VALVE ASSY, CONTROL
C/W REMOVABLE / STD.



Manitowoc

Description

VALVE ASSY, CNTRL C/W REMOVABLE / STD

Assembly No.

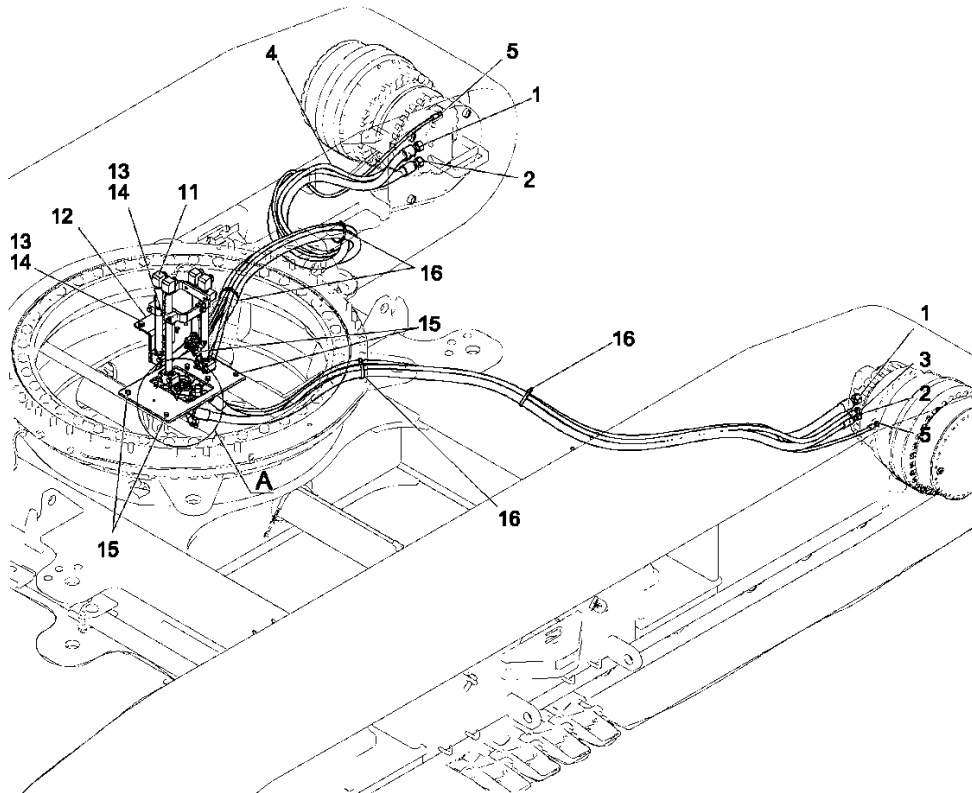
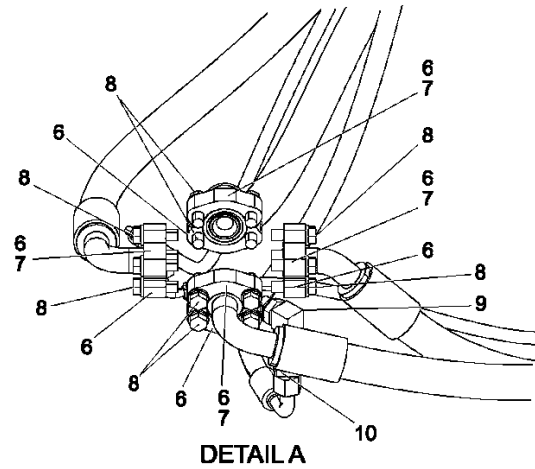
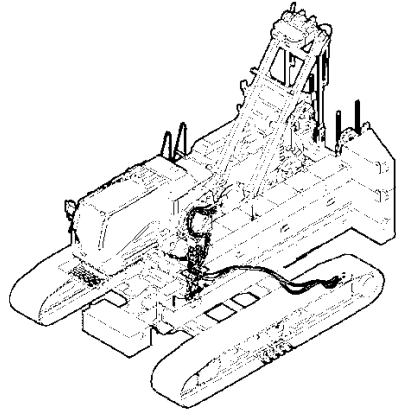
9999430928

Revision:

Item	FN	Part	Qty	Description
1		9999431689	1	VALVE, CNTRL

Manitowoc

JOINT ASSY, SWIVEL LOWER HYD. LINES



Manitowoc

Description
JOINT ASSY, SWIVEL LOWER HYD LINES

Assembly No.
9999430877
 Revision:

Item	FN	Part	Qty	Description
1		9999432356	2	HOSE ASSY
2		9999432352	2	HOSE ASSY
3		9999432349	1	HOSE ASSY
4		9999432353	1	HOSE ASSY
5		9999432355	2	HOSE ASSY
6		9999424444	8	FLANGE
7		9999424434	4	O-RING
8		9999432058	16	SEMS-BOLT
9		9999424490	1	ELBOW, 90
10		9999405178	1	TEE
11	+	9999430876	1	JOINT ASSY, SWIVEL
12		9999431253	1	BRKT
13		9999424716	2	CAPSCREW
14		9999421388	2	LOCK WASHER
15		9999419669	4	SEMS-BOLT
16		9999427762	4	CLIP

+ SEE FURTHER BREAKDOWN THIS GROUP

Manitowoc

Description
JOINT ASSY, SWIVEL

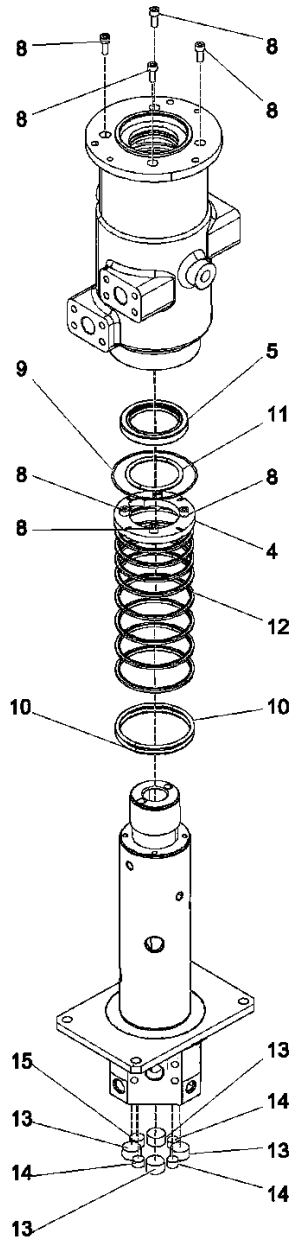
Assembly No.
9999430876
 Revision:

Item	FN	Part	Qty	Description
1		9999431950	1	TUBE
2		9999431951	1	TUBE
3		9999431952	1	TUBE
4		9999431953	1	TUBE
5		9999431955	2	PLATE
6		9999431954	1	SUPPORT
7		9999424381	4	CLAMP
8		9999424479	1	CONNECTOR
9		9999422517	1	CONNECTOR
10		9999424487	1	ELBOW, 90
11		9999424570	1	NUT
12		9999420190	1	CAPSCREW
13		9999432193	4	SEMS-BOLT
14		9999424434	4	O-RING
15		9999424424	4	O-RING
16		9999419669	4	SEMS-BOLT
17		9999426073	1	ELBOW, 45
18		9999424490	2	ELBOW, 90
19		9999405235	1	TEE
20		9999424693	3	BOLT
21		9999424528	2	SEMS-BOLT
22		9999421377	16	BOLT
23		9999431158	2	BUSHING

Manitowoc

Notes

Manitowoc

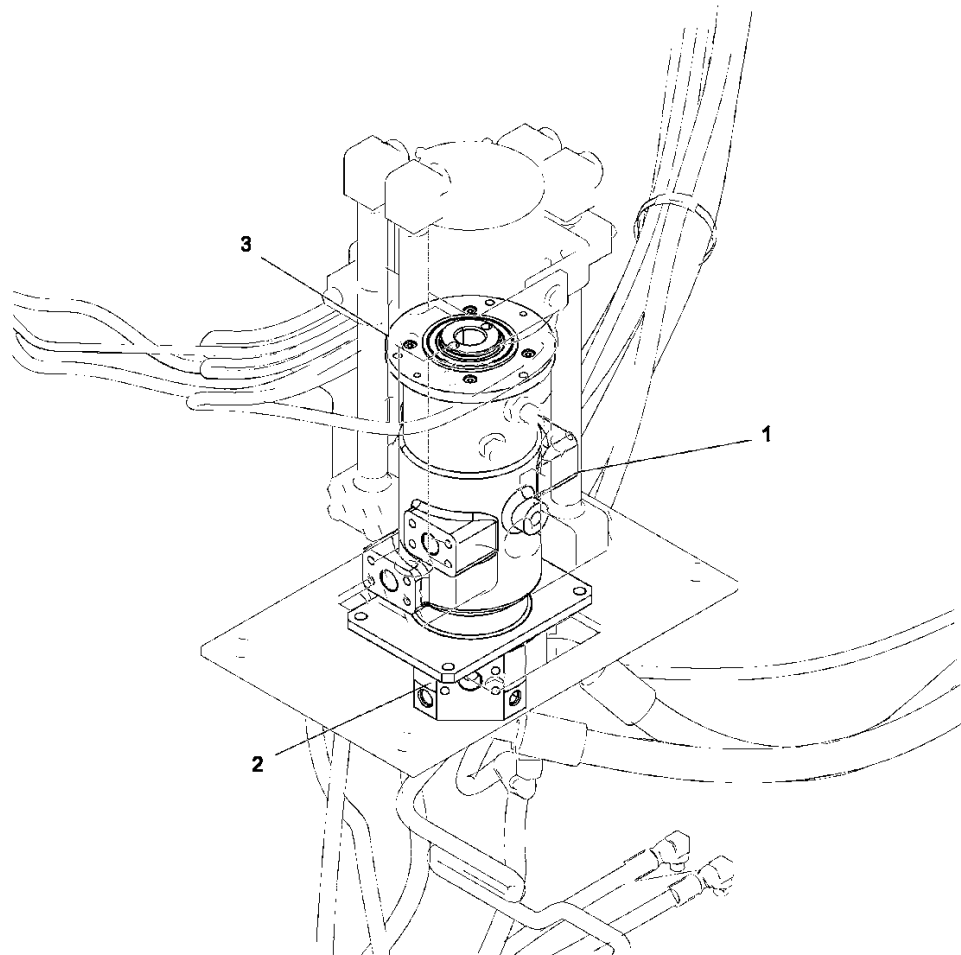
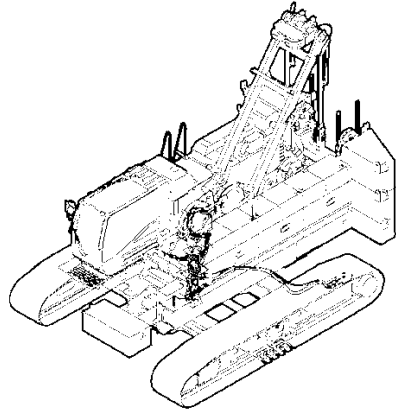


9999431006

(SHEET 2 OF 2)

Manitowoc

JOINT ASSY, SWIVEL



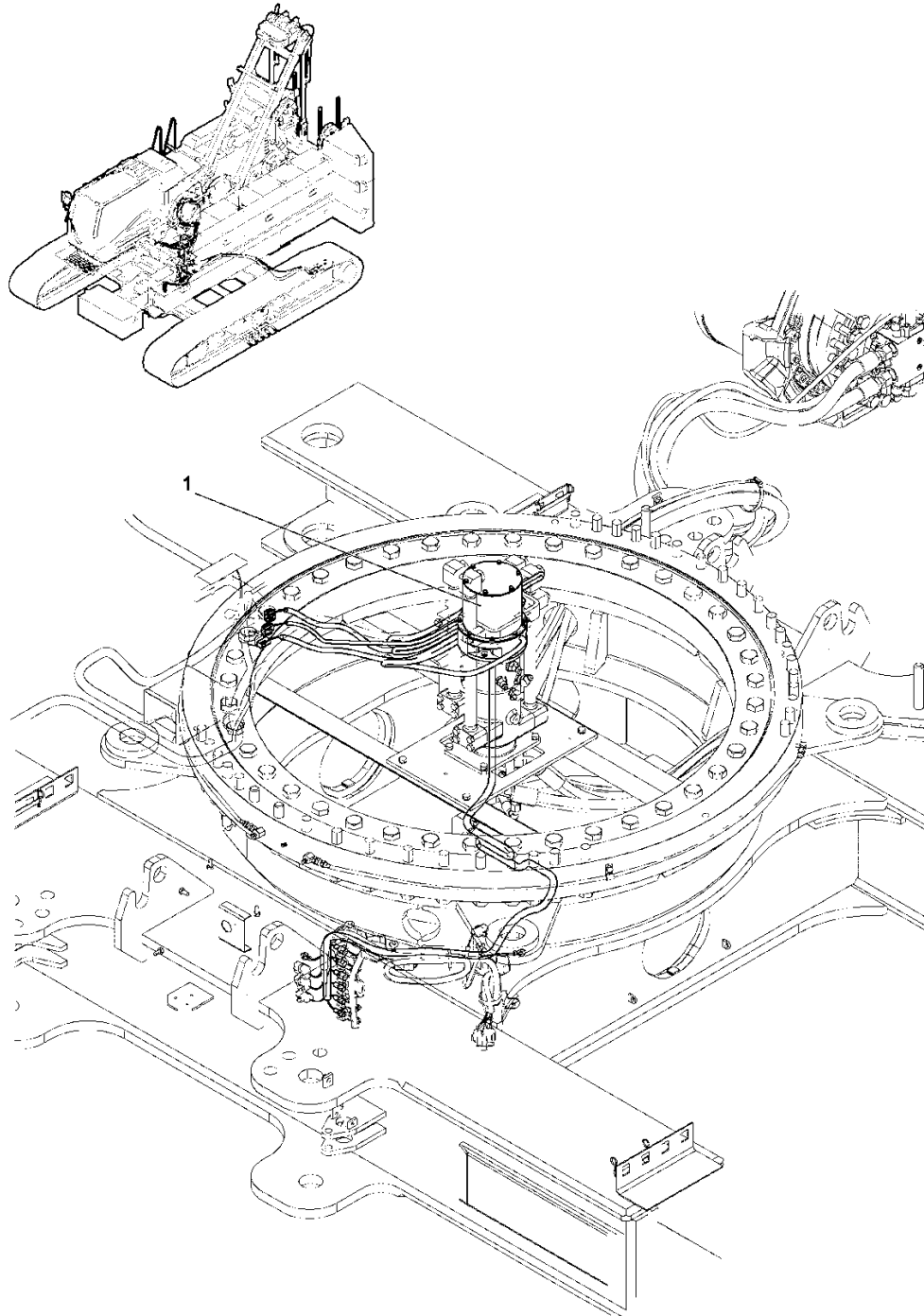
Manitowoc

Description
JOINT ASSY, SWIVEL

Assembly No.
9999431006
Revision:

Item	FN	Part	Qty	Description
1		9999431948	1	BODY
2		9999431956	1	STEM
3		9999431958	1	COVER
4		9999431949	1	PLATE
5		9999431957	1	OIL SEAL
8		9999424730	8	CAPSCREW
9		9999430368	1	O-RING
10		9999431141	2	O-RING
11		9999431140	1	O-RING
12		9999431142	8	SEAL
13		9999424456	4	PLUG
14		9999424454	3	PLUG
15		9999424455	1	PLUG

SLIP RING ASSY SWIVEL JOINT



Manitowoc

Description

SLIP RING ASSY SWIVEL JOINT

Assembly No.

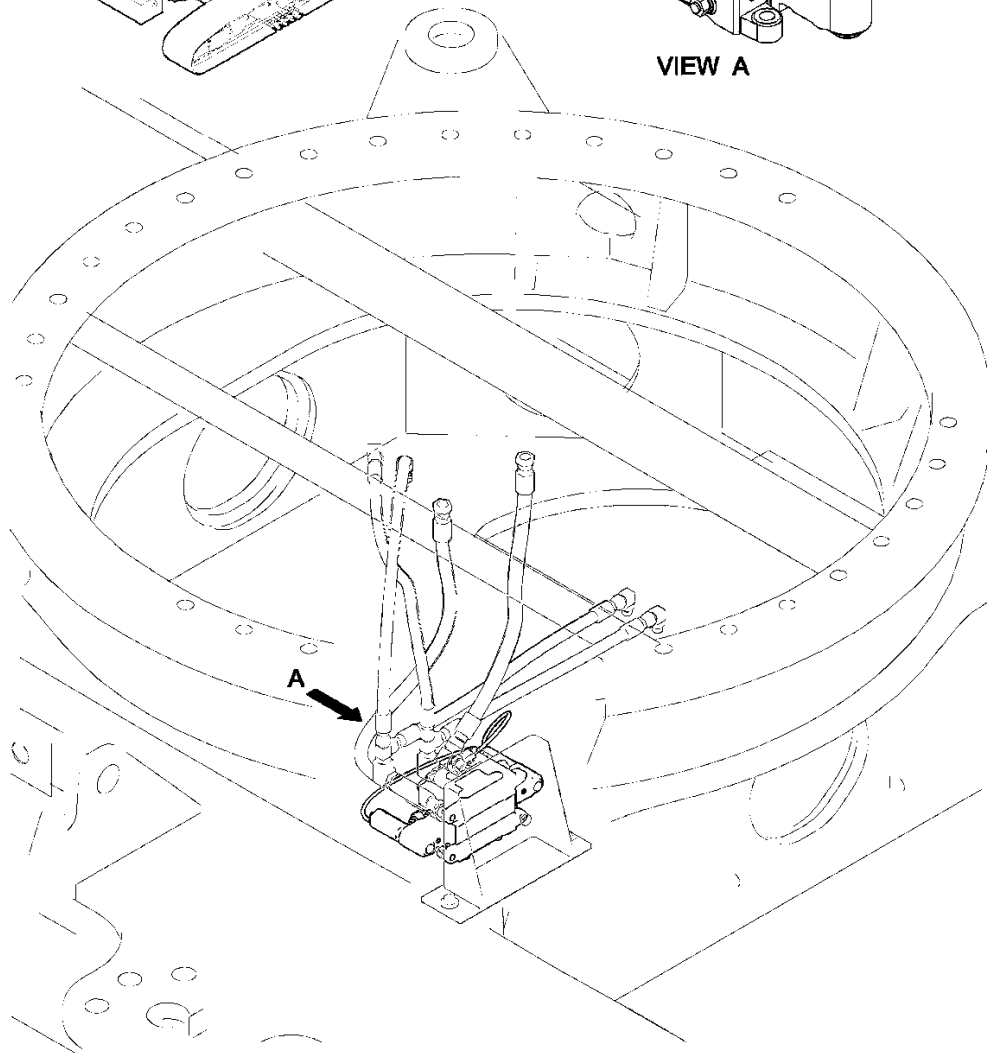
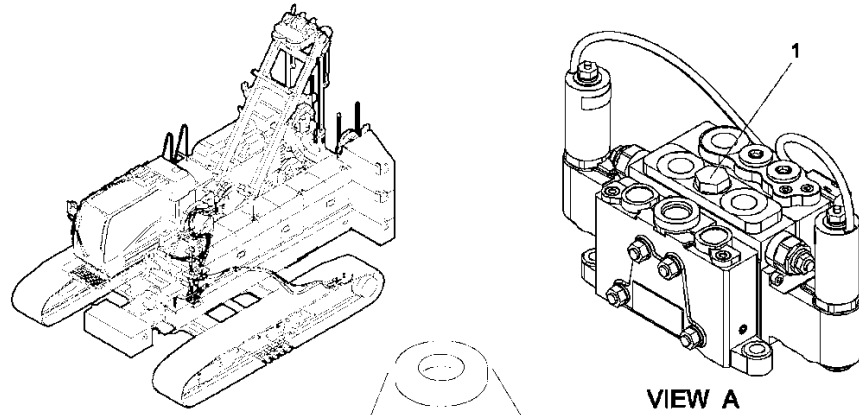
9999431050

Revision:

Item	FN	Part	Qty	Description
1		9999432019	1	SLIP RING

Manitowoc

VALVE ASSY. CONTROL
CRAWER EXT. /RET.



Manitowoc

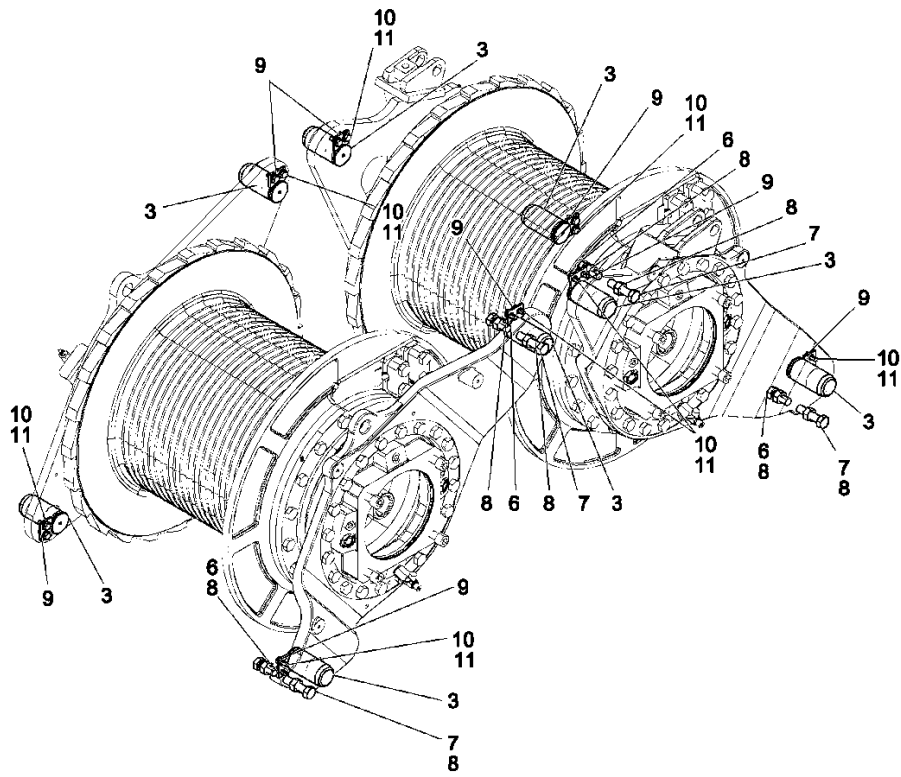
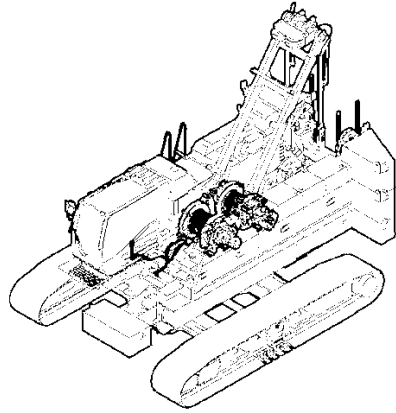
Description
VALVE ASSY, CNTRL CRAWER EXT/RET

Assembly No.
9999430927
Revision:

Item	FN	Part	Qty	Description
1		9999431692	1	VALVE ASSY, CNTRL

Manitowoc

WINCH INSTAL FRONT, REAR



Manitowoc

Description

WINCH INSTAL FRT, RR

Assembly No.

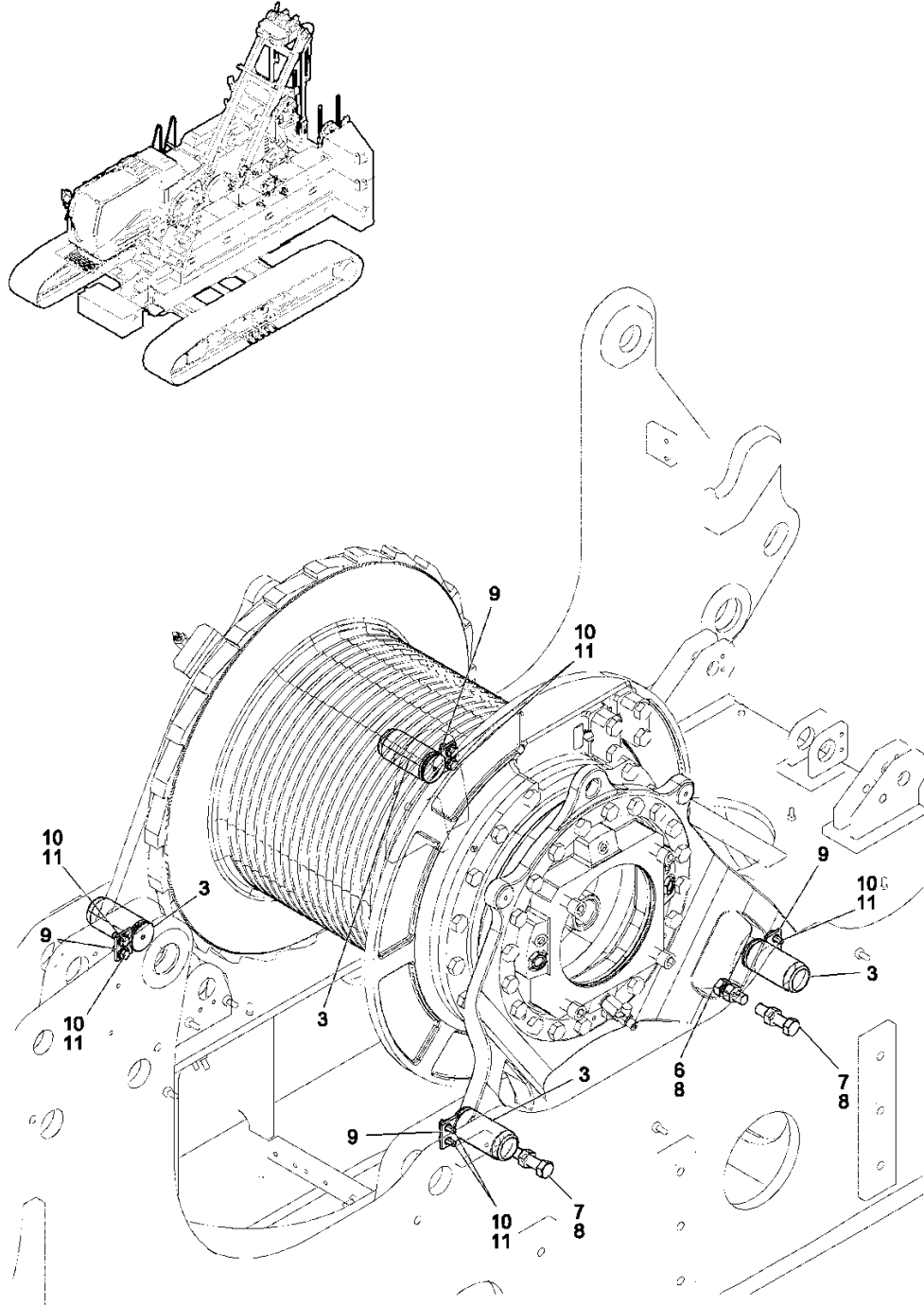
9999430814

Revision:

Item	FN	Part	Qty	Description
3		9999431205	8	PIN
6		9999427770	4	CAPSCREW
7		9999432064	4	CAPSCR
8		9999424570	8	NUT
9		9999431206	8	PLATE, KEEPER
10		9999421368	16	CAPSCREW
11		9999424837	16	WASHER,

Manitowoc

WINCH INSTAL
THIRD / OPT.



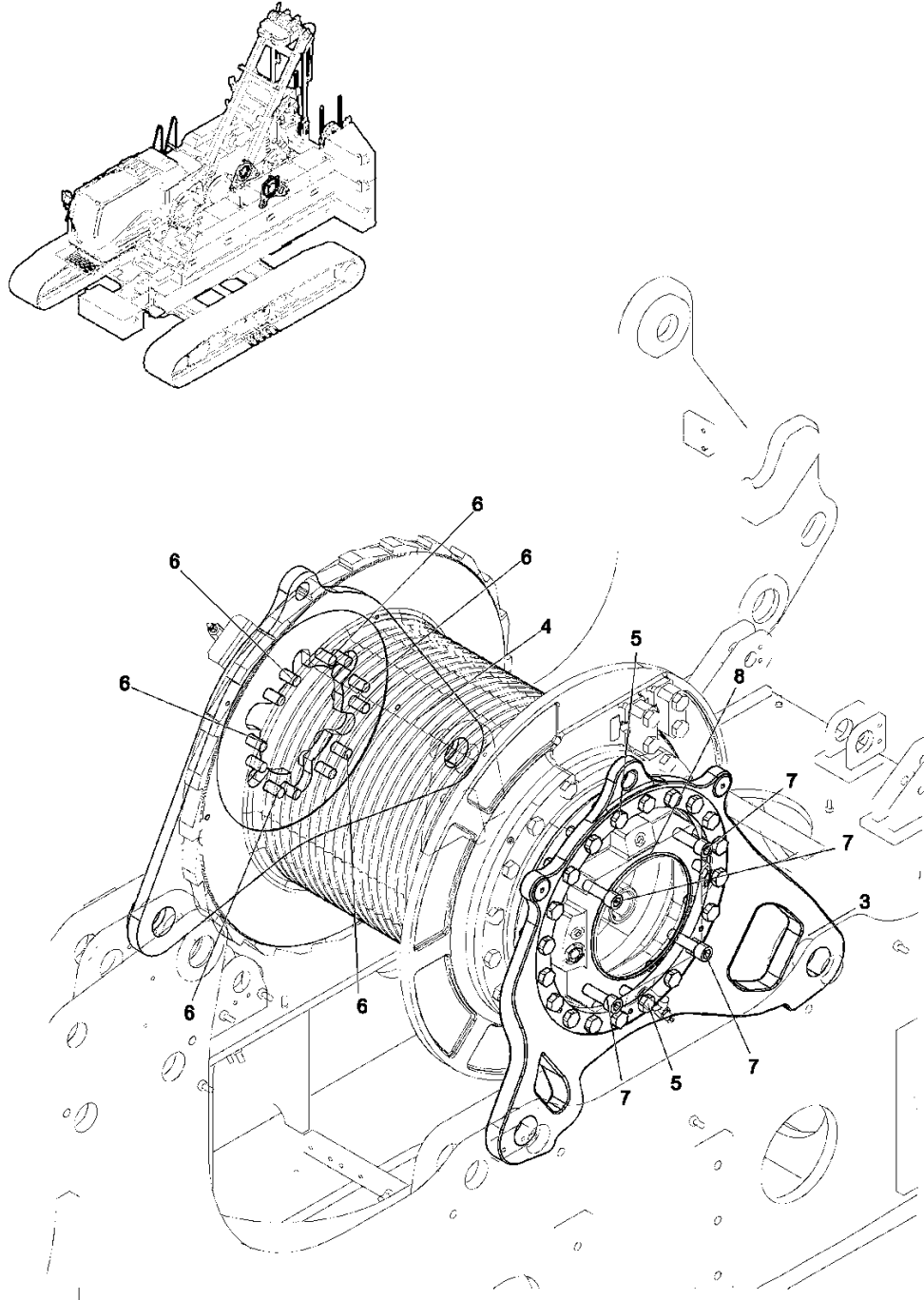
Manitowoc

Description
WINCH INSTAL, 3RD

Assembly No.
9999430815
Revision:

Item	FN	Part	Qty	Description
3		9999431205	4	PIN
6		9999427770	2	CAPSCREW
7		9999432064	2	CAPSCR
8		9999424570	4	NUT
9		9999431206	4	PLATE, KEEPER
10		9999421368	8	CAPSCREW
11		9999424837	8	WASHER,

WINCH ASSY THIRD / OPT.



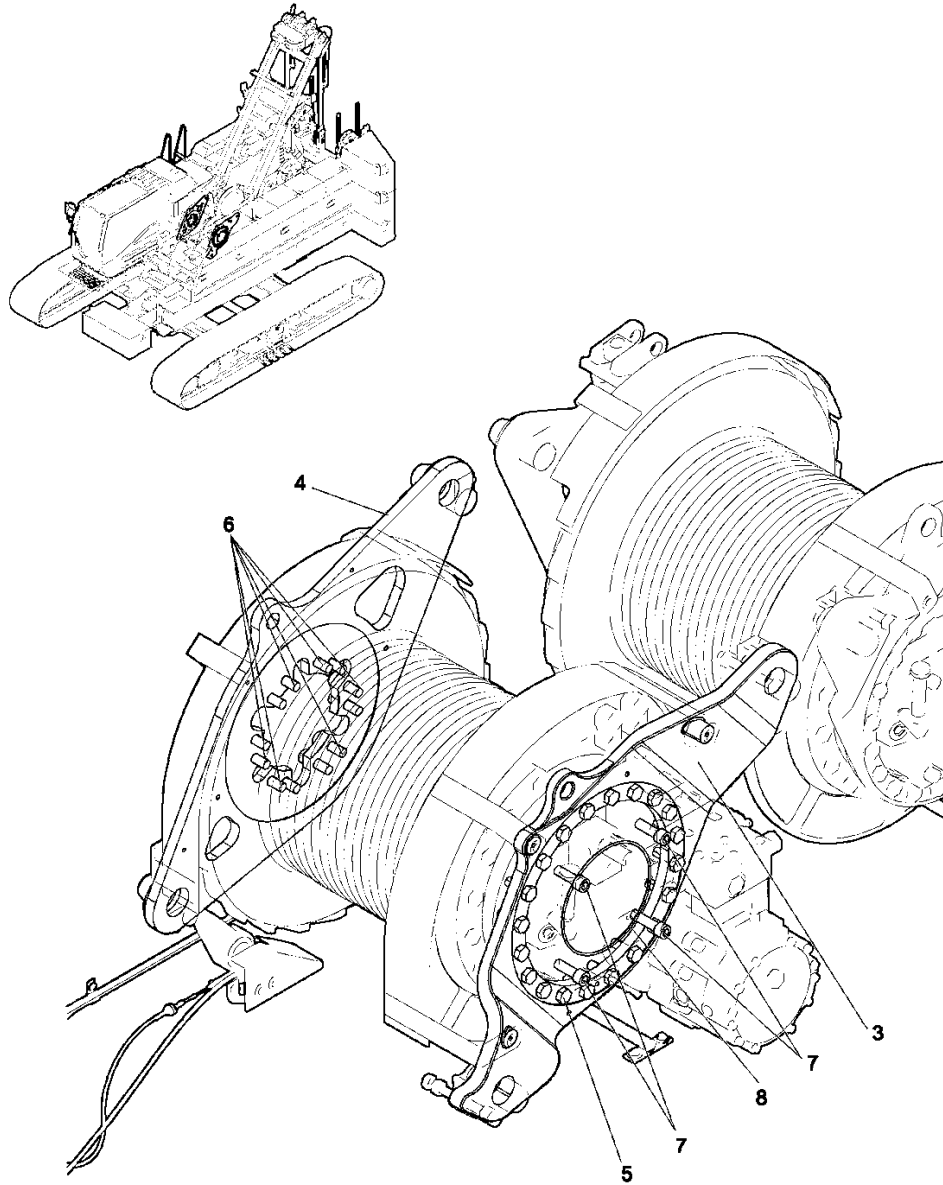
Manitowoc

Description
WINCH ASSY, 3RD

Assembly No.
9999430811
Revision:

Item	FN	Part	Qty	Description
3		9999431198	1	PLATE
4		9999431201	1	PLATE
5		9999432223	20	CAPSCR
6		9999424750	12	CAPSCREW
7		9999424751	4	CAPSCREW
8		9999419261	1	O-RING

WINCH ASSY FRONT / WITH FREE FALL



Manitowoc

Description

WINCH ASSY FRT W/ FREE FALL

Assembly No.

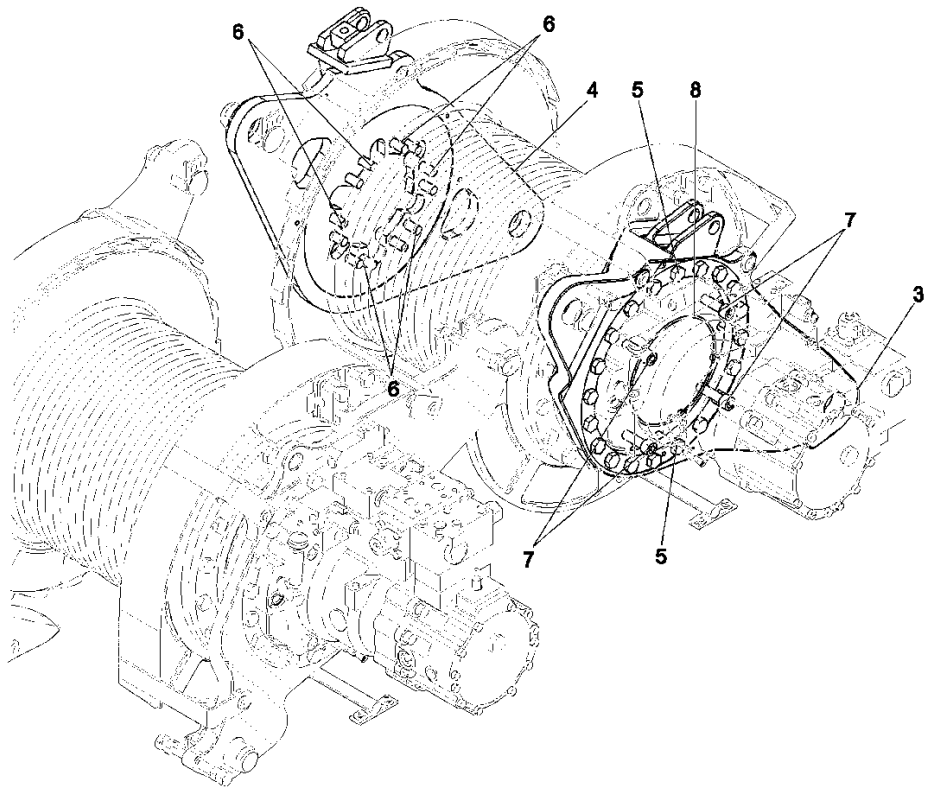
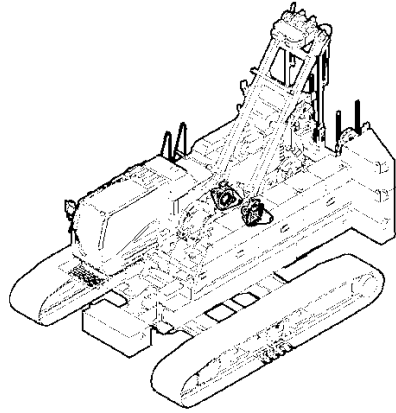
9999430807

Revision:

Item	FN	Part	Qty	Description
3		9999431196	1	PLATE
4		9999431199	1	PLATE
5		9999432223	20	CAPSCR
6		9999424750	12	CAPSCREW
7		9999424751	4	CAPSCREW
8		9999419261	1	O-RING

Manitowoc

WINCH ASSY REAR / WITH FREE FALL



Manitowoc

Description

WINCH ASSY RR / W/ FREE FALL

Assembly No.

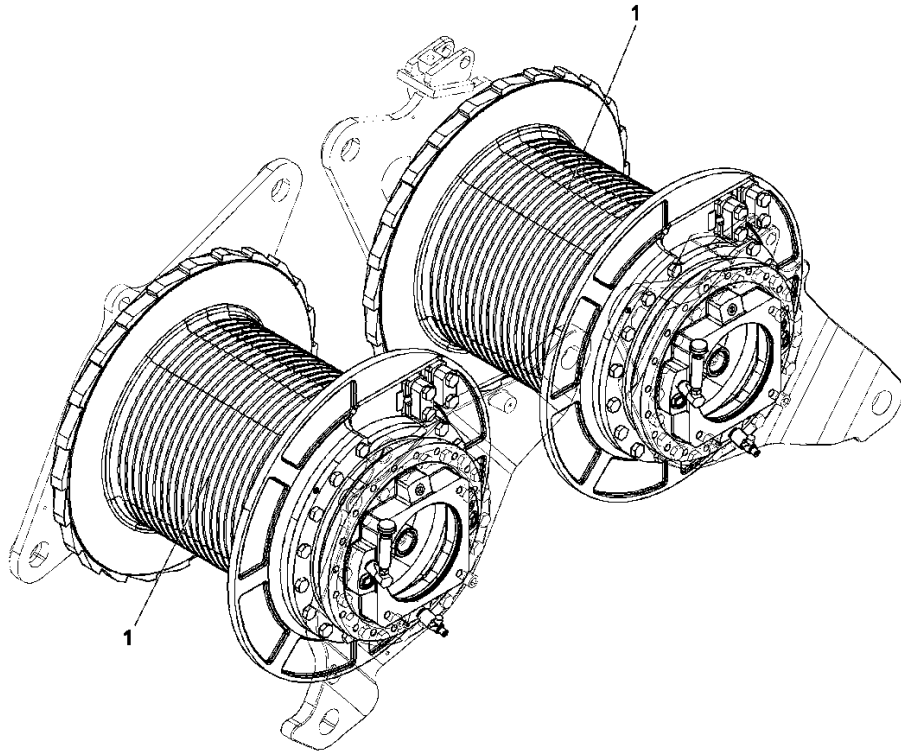
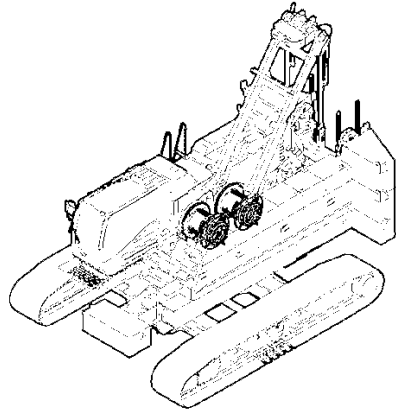
9999430808

Revision:

Item	FN	Part	Qty	Description
3		9999431197	1	PLATE
4		9999431200	1	PLATE
5		9999432223	20	CAPSCR
6		9999424750	12	CAPSCREW
7		9999424751	4	CAPSCREW
8		9999419261	1	O-RING

Manitowoc

WINCH ASSY
FRONT, REAR, THIRD (OPT.) / $\varphi 22$ / WITH FREE FALL



Manitowoc

Description

WINCH ASSY FRT, RR, 3RD / 22 / W/ FREE FALL

Assembly No.

9999430809

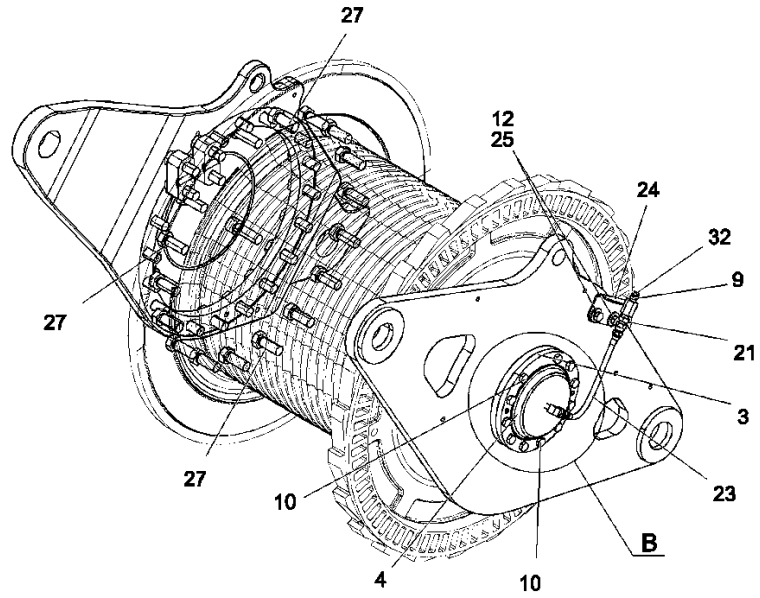
Revision:

Item	FN	Part	Qty	Description
1		9999431327	1	DRUM, WINCH

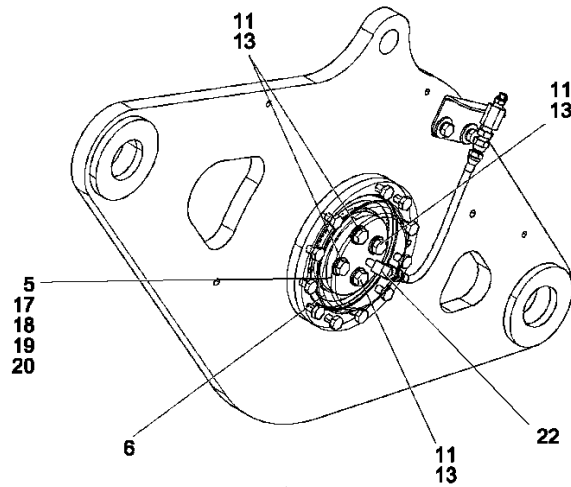
Manitowoc

Notes

Manitowoc



VIEW A

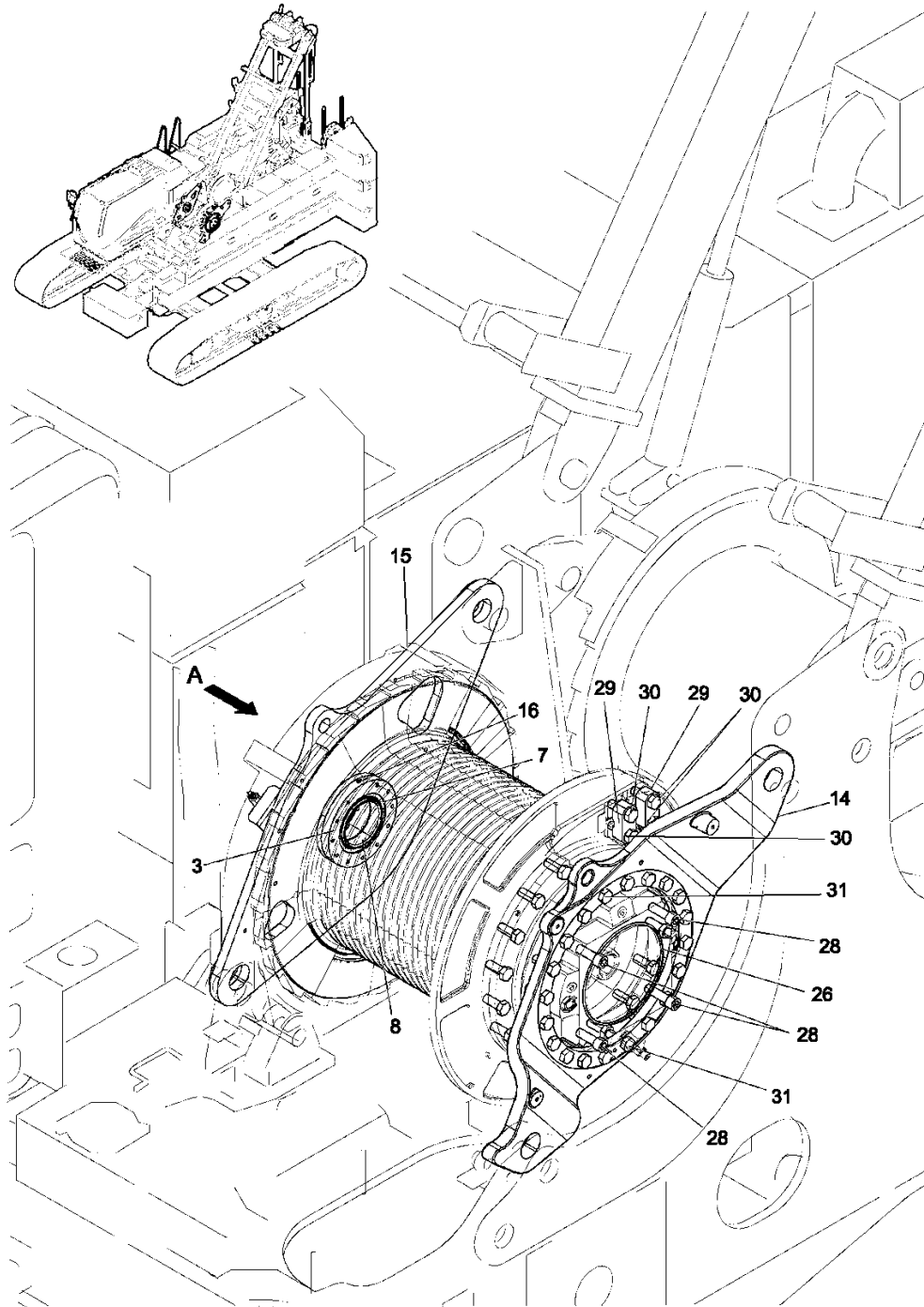


DETAIL B

9999430812

(SHEET 2 OF 2)

WINCH ASSY FRONT / WITHOUT FREE FALL



Manitowoc

Description
WINCH ASSY FRT W/O FREE FALL

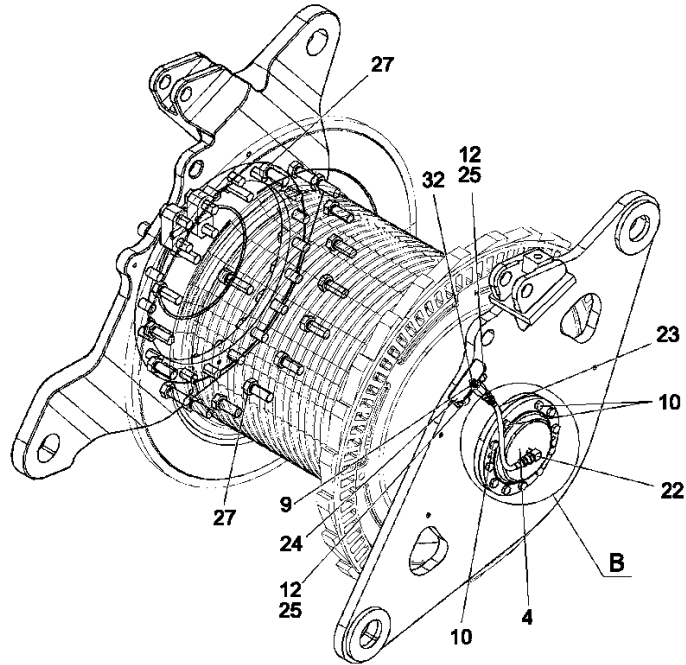
Assembly No.
9999430812
 Revision:

Item	FN	Part	Qty	Description
3		9999429434	1	RETAINER
4		9999429435	1	COVER
5		9999429436	1	PLATE
6		9999429511	1	BRG
7		9999408466	1	OIL SEAL
8		9999429437	1	SLEEVE
9		9999421342	1	NIPPLE, GREASE
10		9999429517	11	CAPSCR
11		9999426488	4	CAPSCREW
12		9999422194	2	WASHER,
13		9999424831	4	WASHER,
14		9999431196	1	PLATE
15		9999431202	1	PLATE
16		9999422551	1	BREATHER
17		9999429438	1	SHIM
18		9999429439	1	SHIM
19		9999429440	1	SHIM
20		9999429441	1	SHIM
21		9999424483	1	CONNECTOR
22		9999424494	1	ELBOW, 90
23		9999431086	1	HOSE
24		9999432031	1	BRKT
25		9999424511	2	SEMS-BOLT
26		9999419261	1	O-RING
27		9999424661	16	CAPSCREW
28		9999424751	4	CAPSCREW
29		9999431204	2	PLATE
30		9999424725	4	CAPSCREW
31		9999432223	20	CAPSCR
32		9999422650	1	CAP

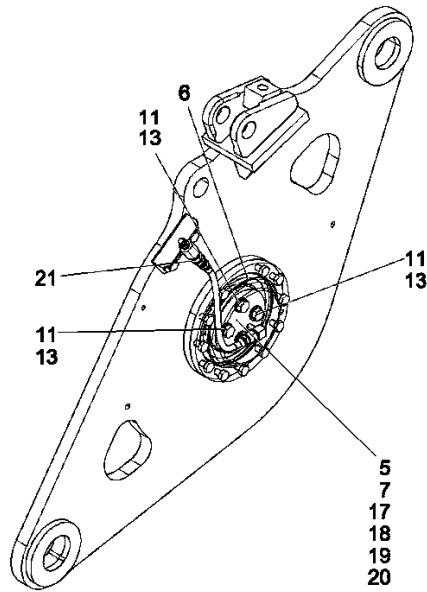
Manitowoc

Notes

Manitowoc



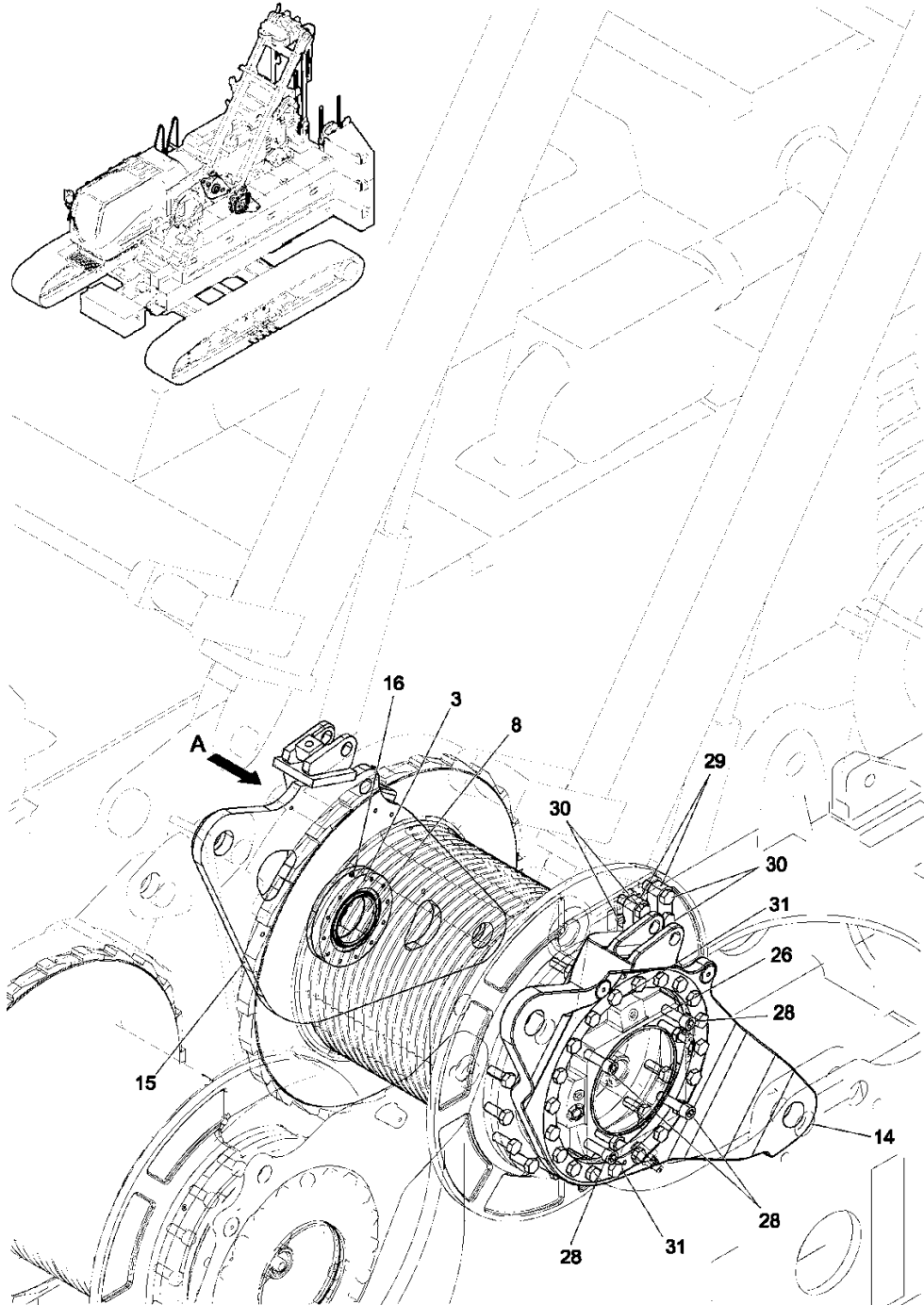
VIEW A



DETAIL B

Manitowoc

WINCH ASSY REAR / WITHOUT FREE FALL



Manitowoc

Description

WINCH ASSY RR W/O FREE FALL

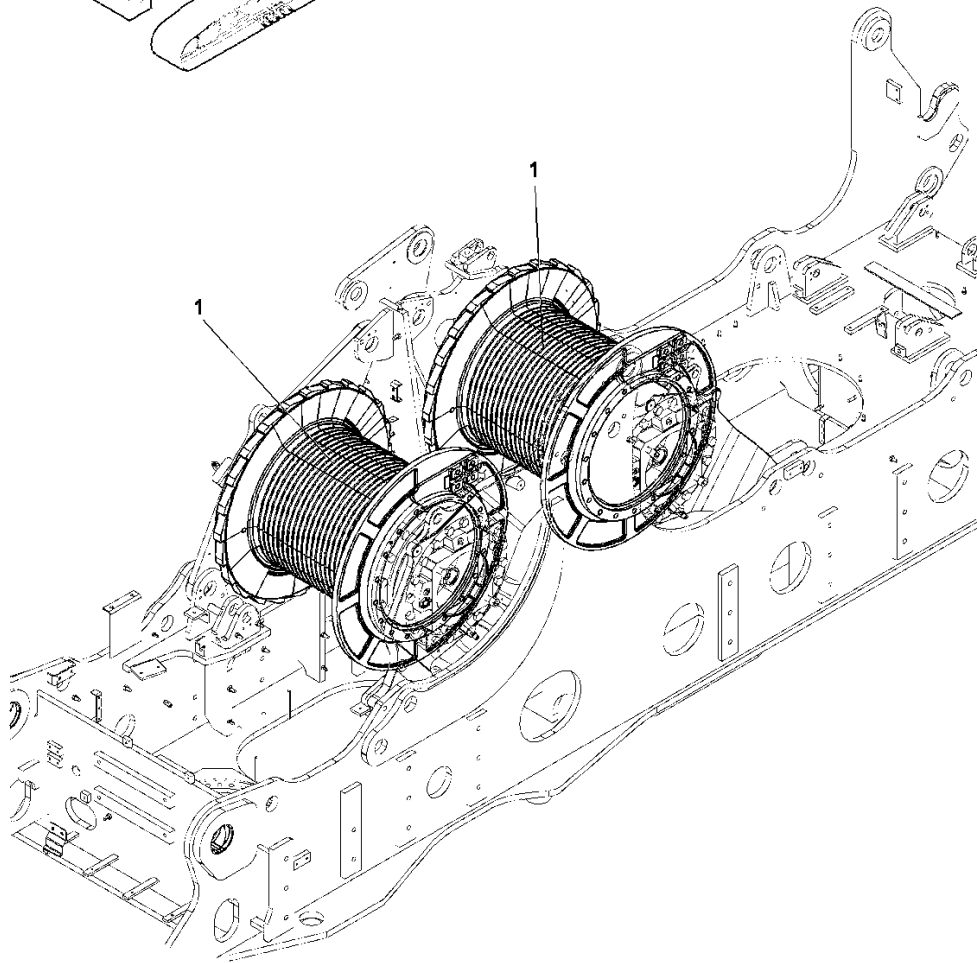
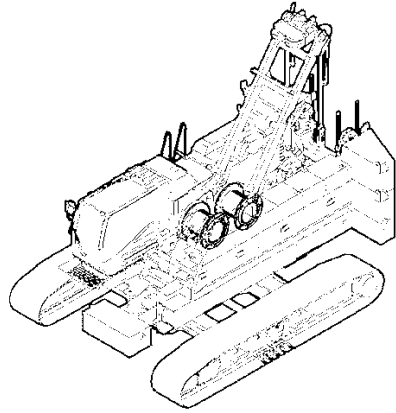
Assembly No.

9999430813

Revision:

Item	FN	Part	Qty	Description
3		9999429434	1	RETAINER
4		9999429435	1	COVER
5		9999429436	1	PLATE
6		9999429511	1	BRG
7		9999408466	1	OIL SEAL
8		9999429437	1	SLEEVE
9		9999421342	1	NIPPLE, GREASE
10		9999429517	11	CAPSCR
11		9999426488	4	CAPSCREW
12		9999422194	2	WASHER,
13		9999424831	4	WASHER,
14		9999431197	1	PLATE
15		9999431203	1	PLATE
16		9999422551	1	BREATHER
17		9999429438	1	SHIM
18		9999429439	1	SHIM
19		9999429440	1	SHIM
20		9999429441	1	SHIM
21		9999424483	1	CONNECTOR
22		9999424494	1	ELBOW, 90
23		9999431086	1	HOSE
24		9999432031	1	BRKT
25		9999424511	2	SEMS-BOLT
26		9999419261	1	O-RING
27		9999424661	16	CAPSCREW
28		9999424751	4	CAPSCREW
29		9999431204	2	PLATE
30		9999424725	4	CAPSCREW
31		9999432223	20	CAPSCR
32		9999422650	1	CAP

DRUM, WINCH
FRONT, REAR, THIRD / $\varnothing 22$ / WITHOUT FREE FALL



Manitowoc

Description

DRUM, WINCH, FRT, RR 3RD / 22 / W/O FREE FALL

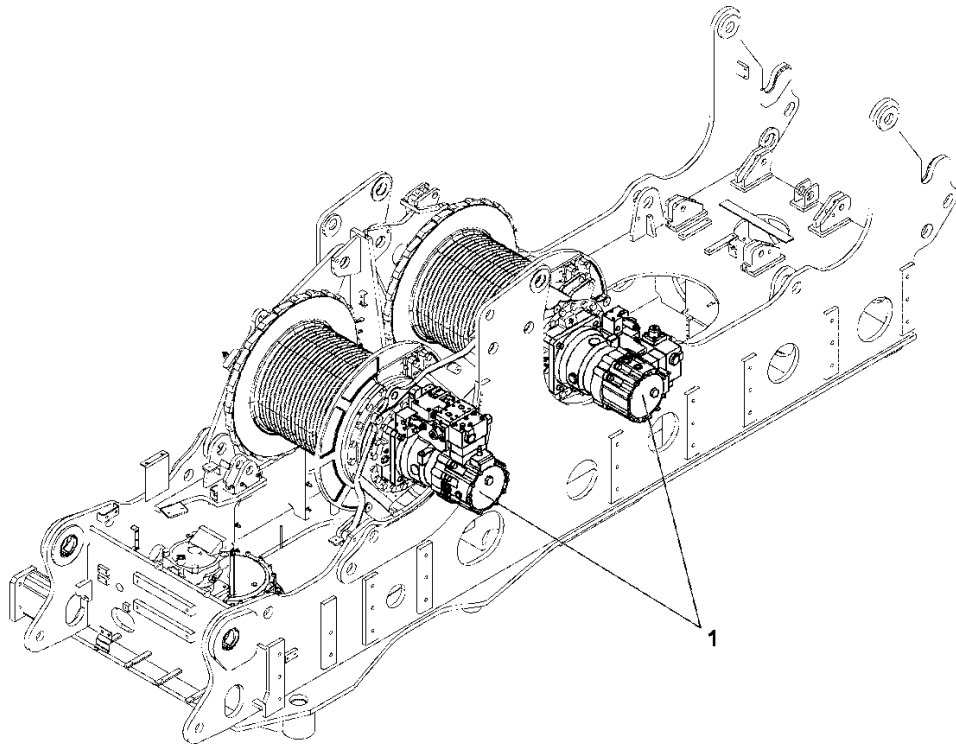
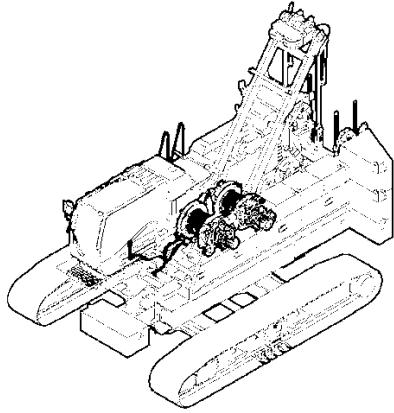
Assembly No.

9999430843

Revision:

Item	FN	Part	Qty	Description
1		9999431328	1	DRUM, WINCH

MOTOR ASSY, HYD
FRONT, REAR, THIRD (OPT.)



Manitowoc

Description

MOTOR ASSY, HYD FRT, RR, 3RD

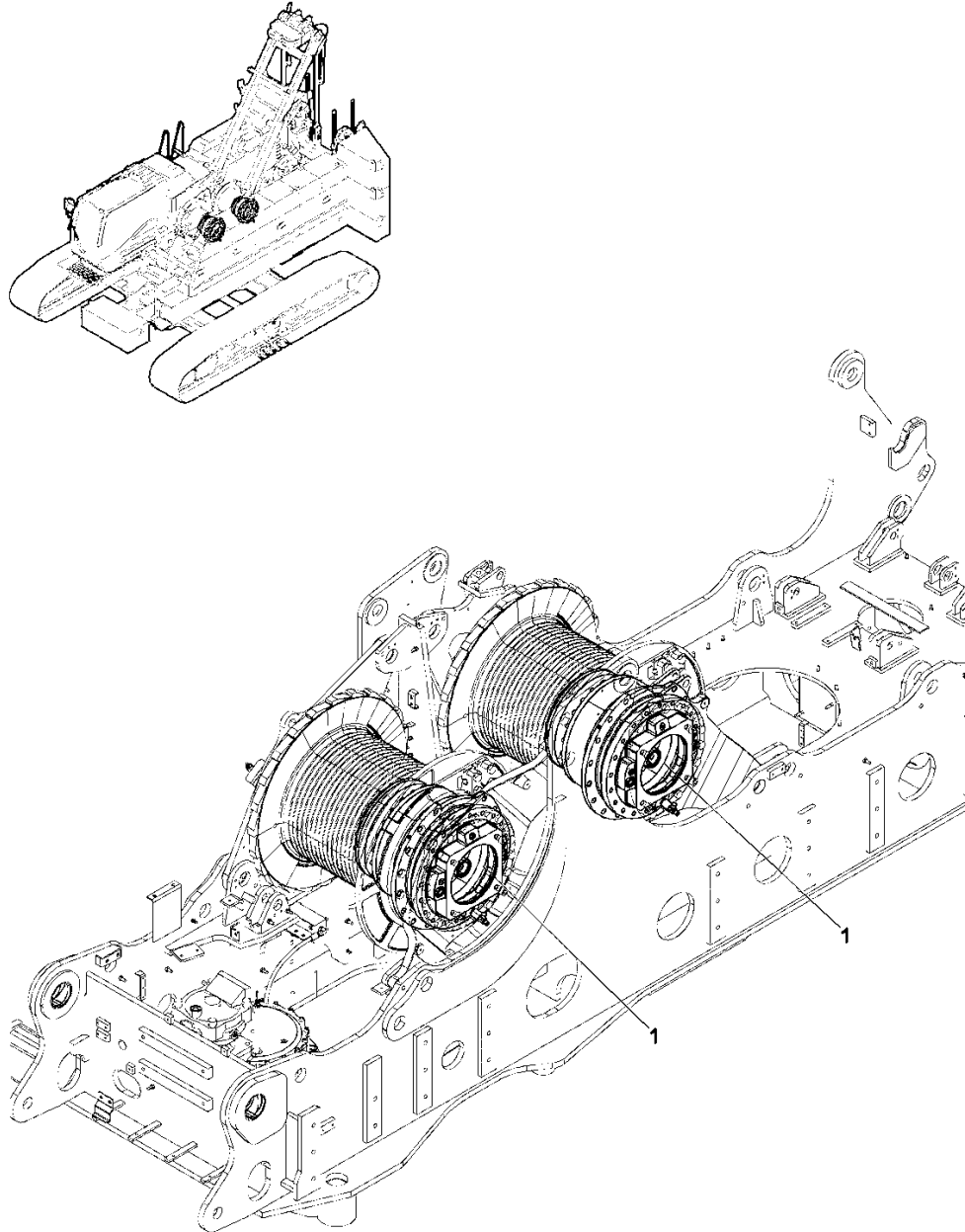
Assembly No.

9999430874

Revision:

Item	FN	Part	Qty	Description
1		9999431402	1	MOTOR ASSY, HYD

REDUCTION ASSY, WINCH
FRONT, REAR, THIRD (OPT.) / WITHOUT FREE FALL



Manitowoc

Description

REDUCTION ASSY,WINCH FRT, RR, 3RD / W/O FREE FALL

Assembly No.

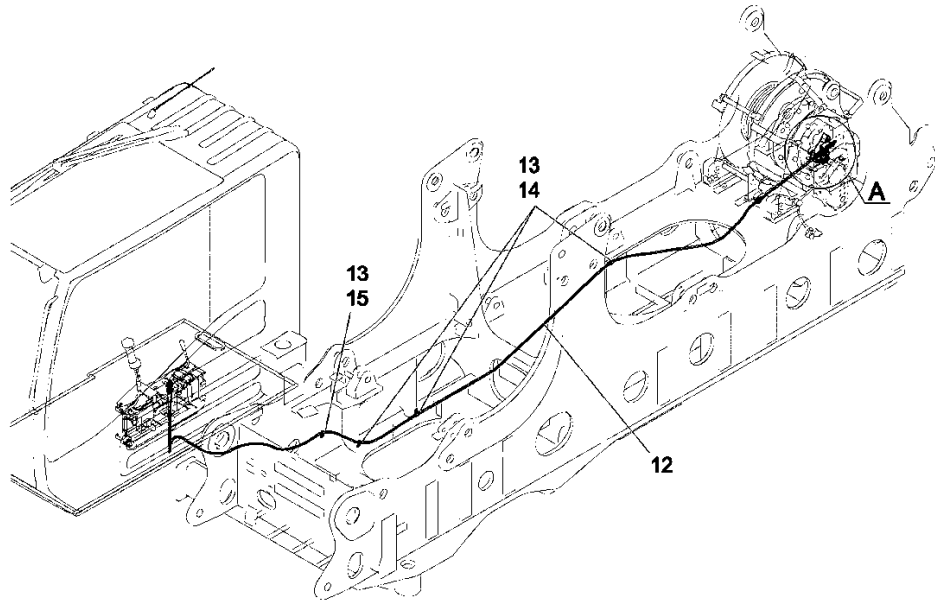
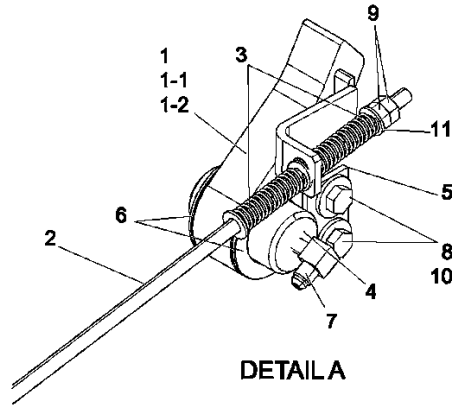
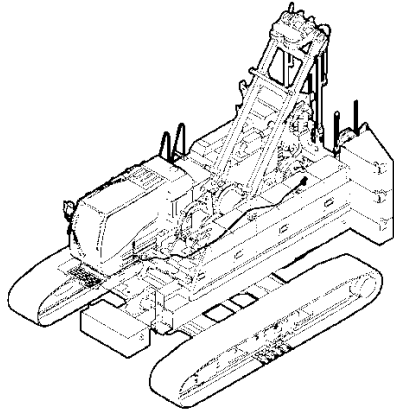
9999430929

Revision:

Item	FN	Part	Qty	Description
1		9999431698	1	REDUCTION ASSY,WINCH

Manitowoc

LOCK ASSY, DRUM, BOOM
BOOM HOIST



Manitowoc

Description

LOCK ASSY, DRUM BOOM HOIST

Assembly No.

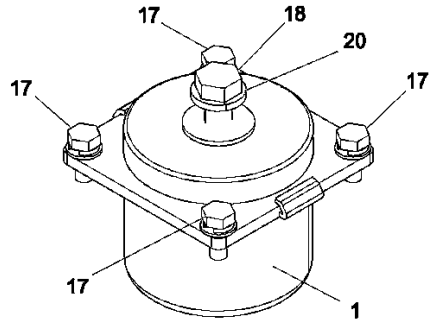
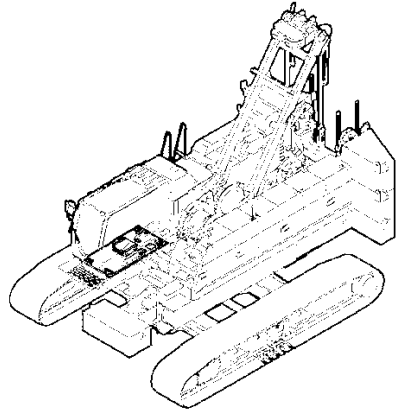
9999431065

Revision:

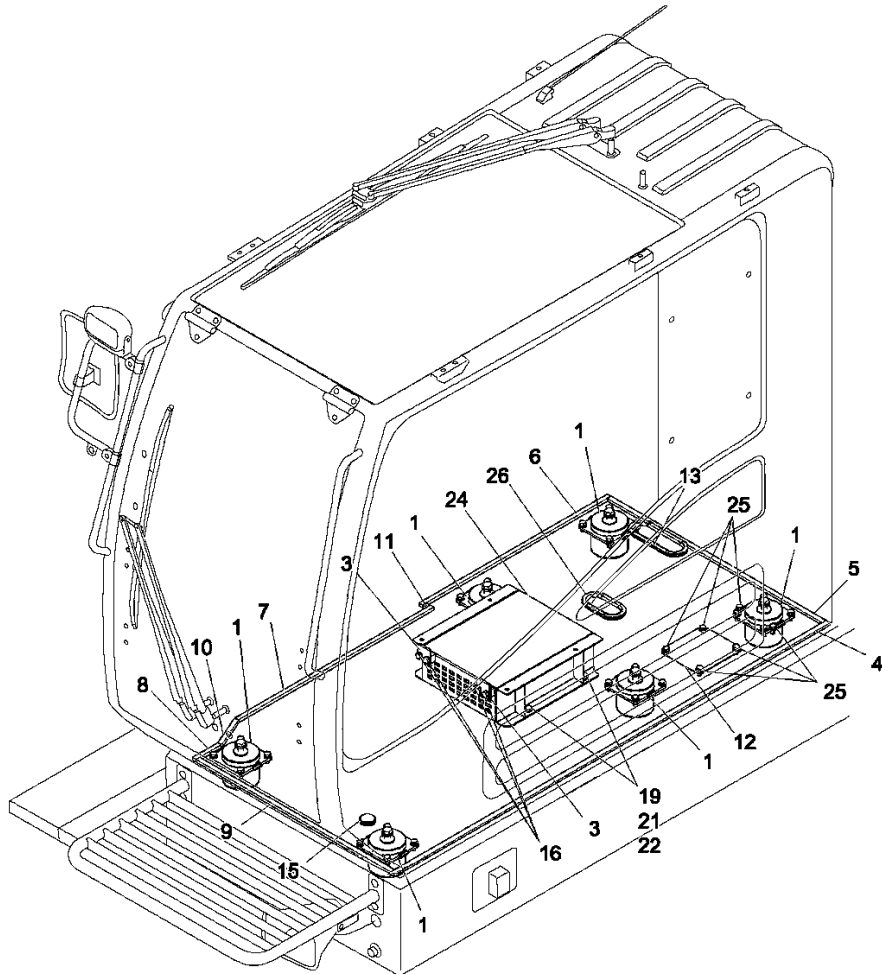
Item	FN	Part	Qty	Description
1		9999432028	1	LOCK ASSY, DRUM,BOOM
1-1		9999432029	1	PAWL
1-2		9999400296	1	BUSHING
2		9999408352	1	ROD
3		9999424078	2	SPRING
4		9999422959	1	PIN
5		9999402662	1	PLATE
6		9999407567	2	WASHER, THRUST
7		9999424494	1	ELBOW, 90
8		9999424692	2	CAPSCREW
9		9999424558	2	NUT
10		9999422194	2	WASHER,
11		9999424855	3	WASHER,
12		9999431074	1	CABLE, CNTRL
13		9999424391	4	CLIP
14		9999408710	3	NUT
15		9999432226	1	CAPSCR

Manitowoc

CONTROLS, OPERATORS FLOOR PLATE INSTAL



DETAIL ITEM 1



Manitowoc

Description

CNTRLS, OPERATORS FLOOR PLATE INSTAL

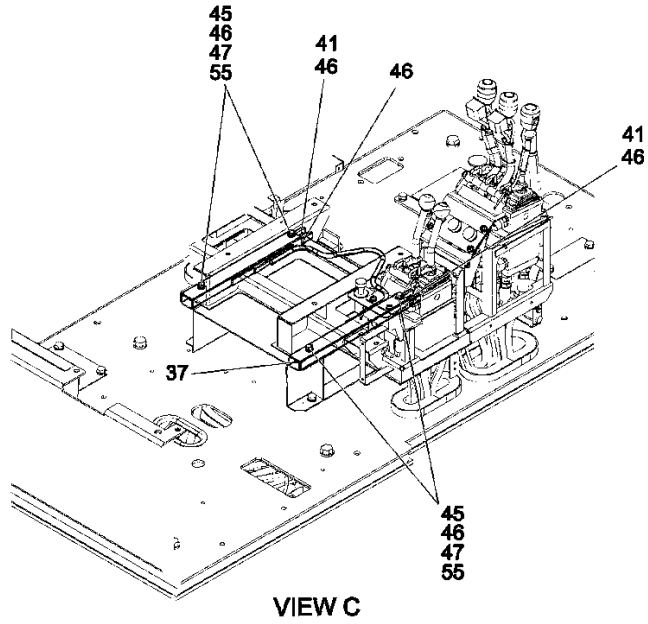
Assembly No.

9999430840

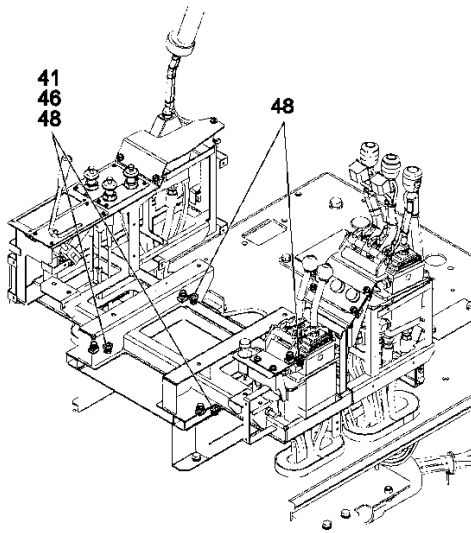
Revision:

Item	FN	Part	Qty	Description
1		9999431320	6	RUBBER
3		9999431308	2	PLATE
4		9999431312	1	RUBBER
5		9999431313	1	RUBBER
6		9999431314	1	RUBBER
7		9999431315	1	RUBBER
8		9999431316	1	RUBBER
9		9999431317	1	RUBBER
10		9999431318	1	RUBBER
11		9999431319	1	RUBBER
12		9999431324	1	PLATE
13		9999431102	1	TRIM
15		9999422319	1	GROMMET
16		9999424510	4	SEMS-BOLT
17		9999424522	24	SEMS-BOLT
18		9999424719	6	CAPSCREW
19		9999424693	4	BOLT
20		9999424839	6	WASHER,
21		9999424855	4	WASHER,
22		9999424877	4	LOCK WASHER
24		9999431322	1	BRKT
25		9999432210	6	SEMS-BOLT
26		9999431101	1	TRIM

Manitowoc

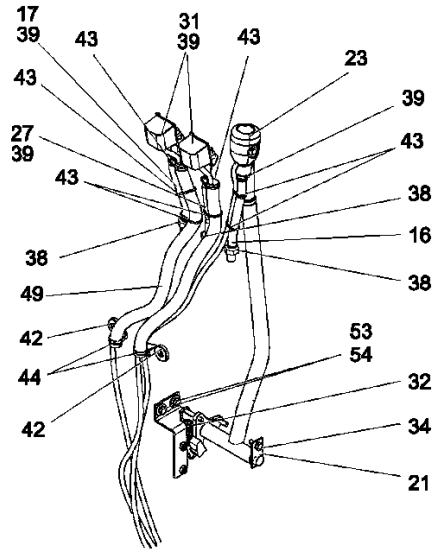


VIEW C

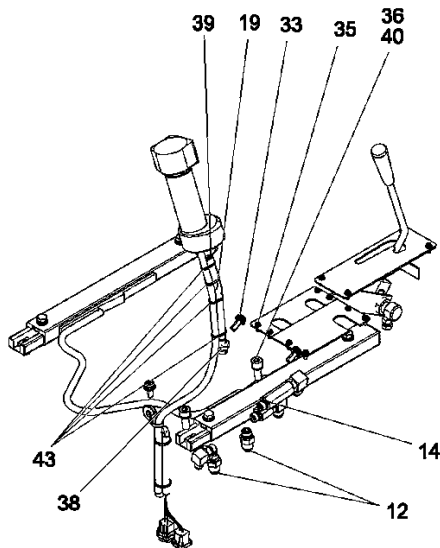


DETAIL ITEM 41,46,48

Manitowoc



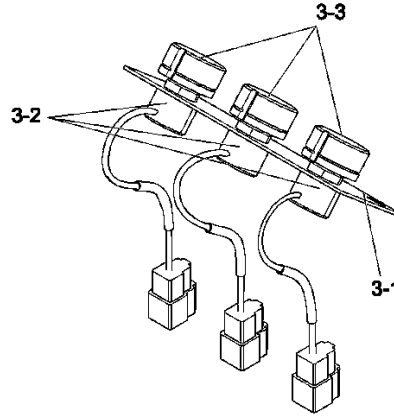
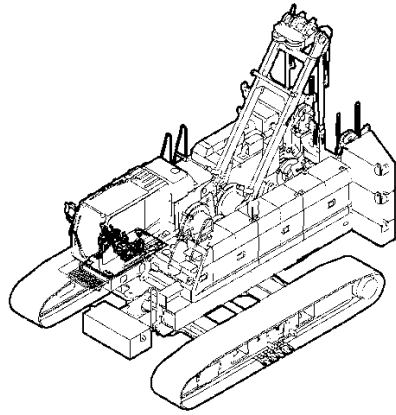
VIEW A



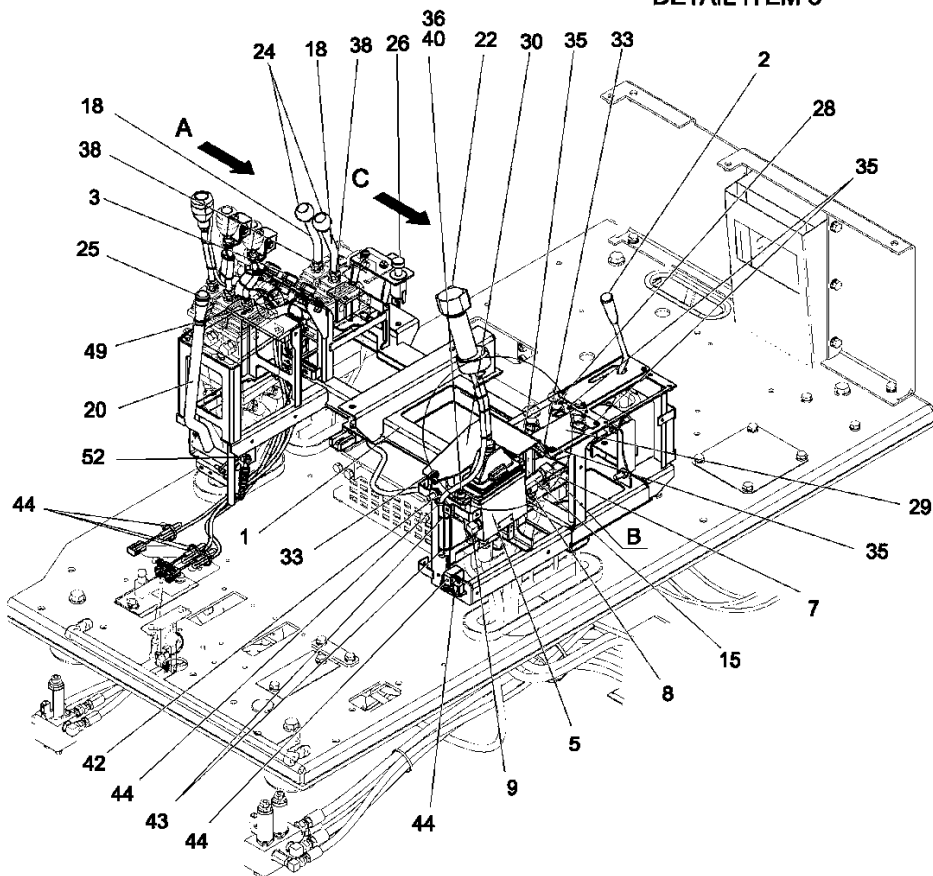
DETAIL B

Manitowoc

LEVER ASSY, CONTROL RIGHT & LEFT STAND



DETAIL ITEM 3



Manitowoc

Description
LEVER ASSY, CNTRL RH & LH STAND

Assembly No.
9999430968
 Revision:

Item	FN	Part	Qty	Description
1		9999431828	1	BRKT
2	+	9999430934	1	LOCK ASSY, SWING LH STAND
3		9999431569	1	CNTRLLER ASSY
3-1		9999431571	1	PLATE
3-2		9999424245	3	POTENTIOMETER
3-3		9999406839	3	GRIP
5		9999431696	1	VALVE, PILOT
7		9999421210	1	ELBOW, 90
8		9999424062	1	ELBOW, 90
9		9999424486	1	ELBOW, 90
12		9999422541	2	CONNECTOR
14		9999425240	1	CONNECTOR
15		9999431139	1	CONNECTOR
16		9999431811	1	LEVER
17		9999431814	1	LEVER
18		9999431827	2	LEVER
19		9999431812	1	LEVER
20		9999431825	1	LEVER
21		9999431818	1	PIN
22		9999421244	1	LEVER ASSY, THROTTLE
23		9999421467	1	GRIP ASSY (BOOM)
24		9999400472	2	GRIP
25		9999427441	1	GRIP
26		9999406236	1	LIGHTER, CIGARETTE
27		9999431813	1	LEVER
28		9999427969	1	PLATE
29		9999427970	1	PLATE
30		9999431826	1	COVER
31		9999423565	2	SWITCH ASSY
32		9999423578	1	SPRING
33		9999432200	3	SEMS-BOLT
34		9999424506	1	SEMS-BOLT
35		9999424533	8	SEMS-BOLT

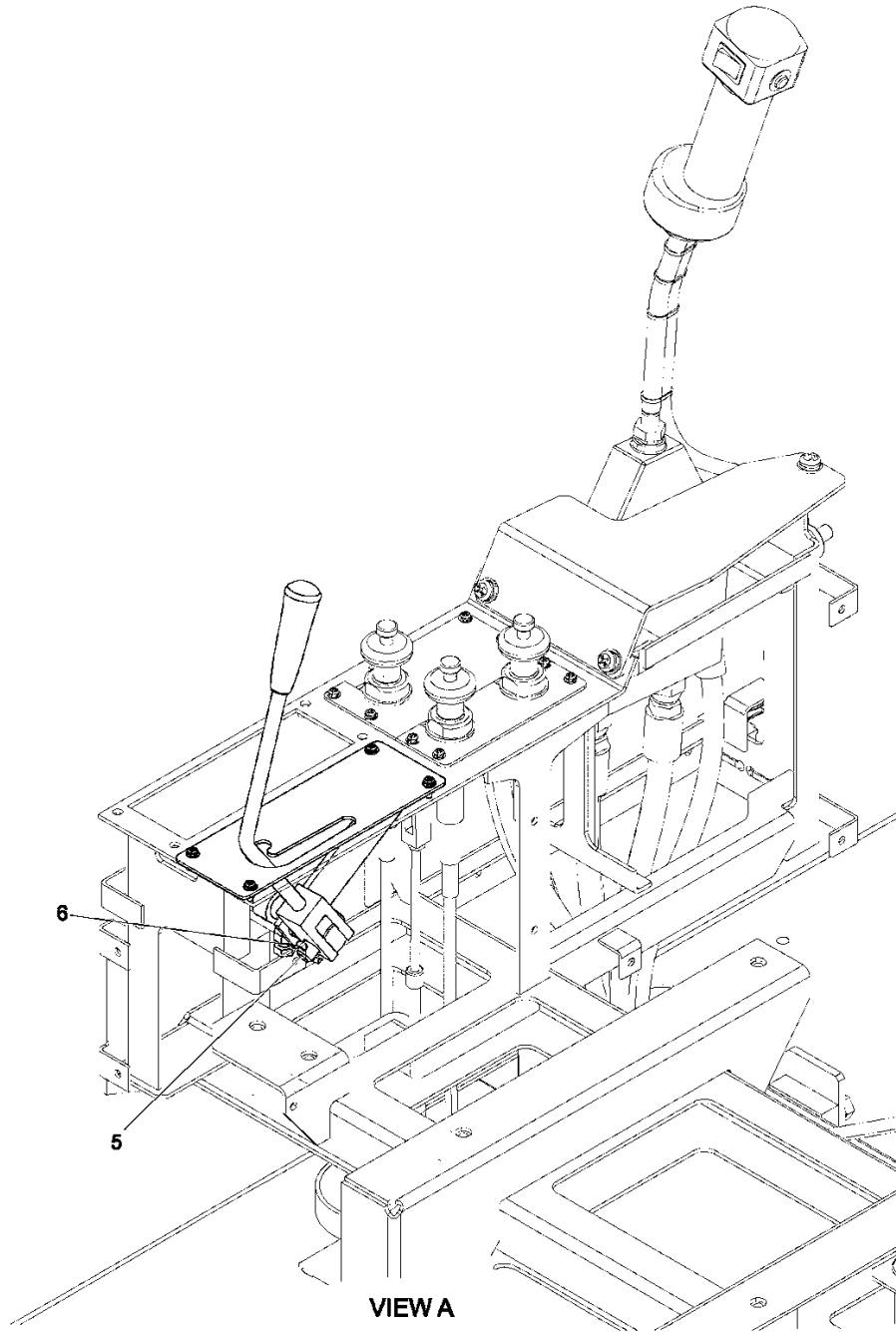
+ SEE FURTHER BREAKDOWN THIS GROUP

Manitowoc

Description
LEVER ASSY, CNTRL RH & LH STAND

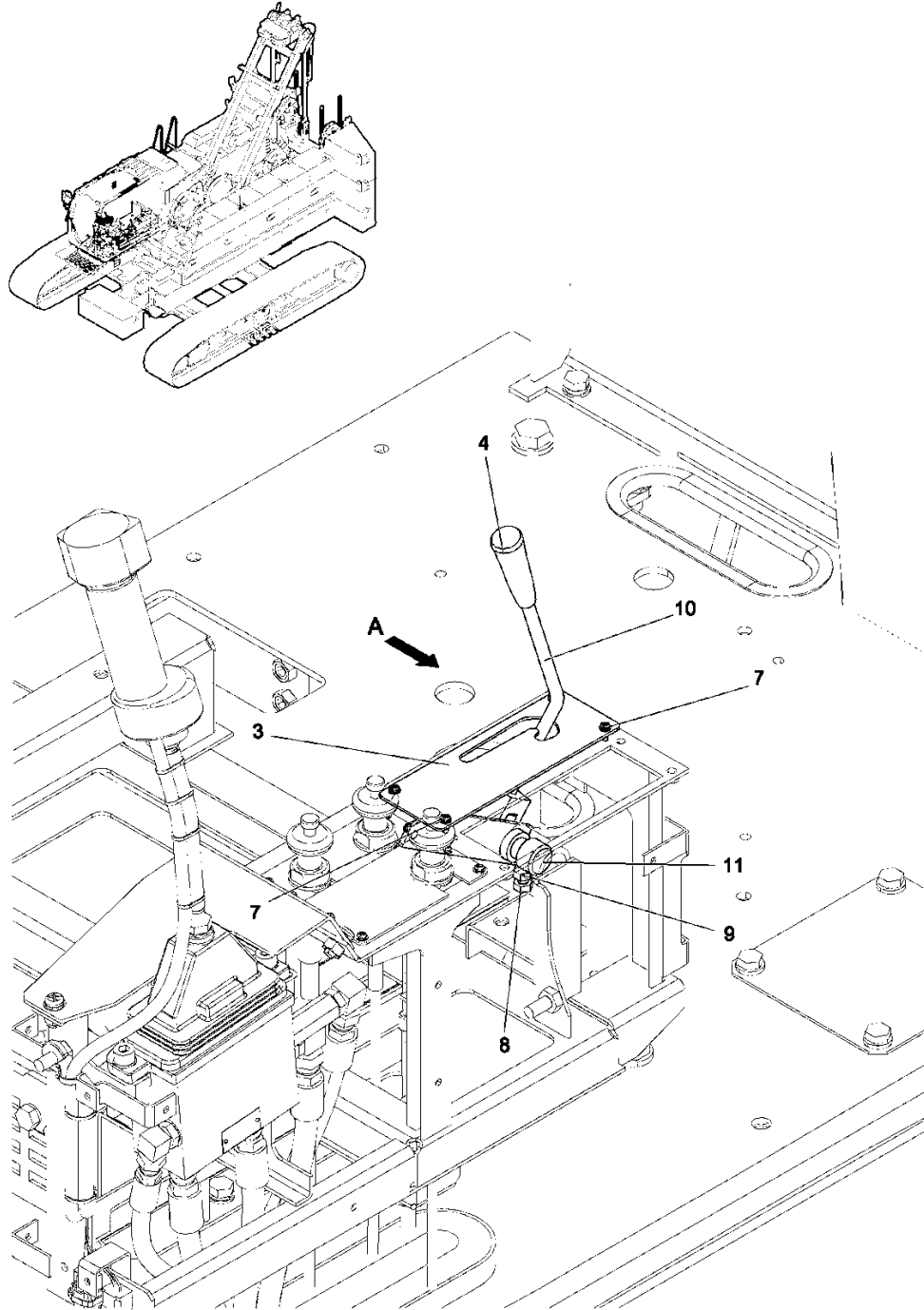
Assembly No.
9999430968
 Revision:

Item	FN	Part	Qty	Description
36		9999424764	2	CAPSCREW
37		9999432164	1	RAIL
38		9999424554	6	NUT
39		9999424557	6	NUT
40		9999424867	2	LOCK WASHER
41		9999424685	4	CAPSCREW
42		9999406279	3	CLIP
43		9999406272	13	CLIP
44		9999406274	8	CLIP
45		9999424686	4	CAPSCREW
46		9999424876	8	LOCK WASHER
47		9999431815	4	PLATE
48		9999431816	4	PLATE
49		9999431817	2	TUBE
52		9999431819	1	BRKT
53		9999402684	2	WASHER,
54		9999424504	2	BOLT
55		9999424854	4	WASHER,



Manitowoc

LOCK ASSY, SWING
LEFT STAND



Manitowoc

Description

LOCK ASSY, SWING LH STAND

Assembly No.

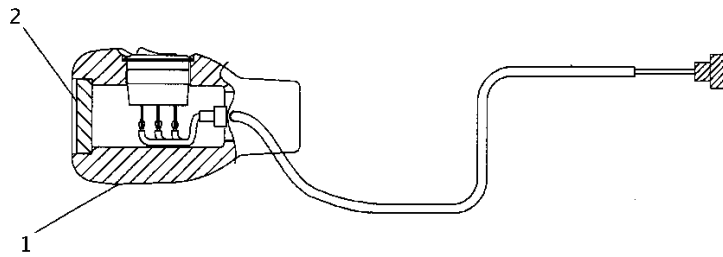
9999430934

Revision:

Item	FN	Part	Qty	Description
3		9999431705	1	PLATE
4		9999400468	1	GRIP
5		9999419872	1	PIN
6		9999424600	1	PIN, SPLIT
7		9999424533	4	SEMS-BOLT
8		9999421364	1	CAPSCREW
9		9999424565	1	NUT
10		9999431707	1	LEVER
11		9999431708	1	LINK

Manitowoc

GRIP
BOOM



Manitowoc

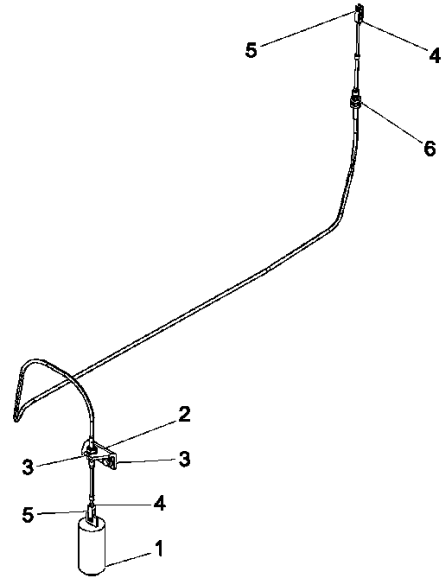
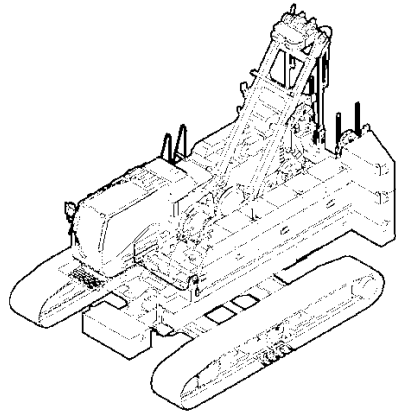
Description
GRIP ASSY (BOOM)

Assembly No.
9999421467
Revision:

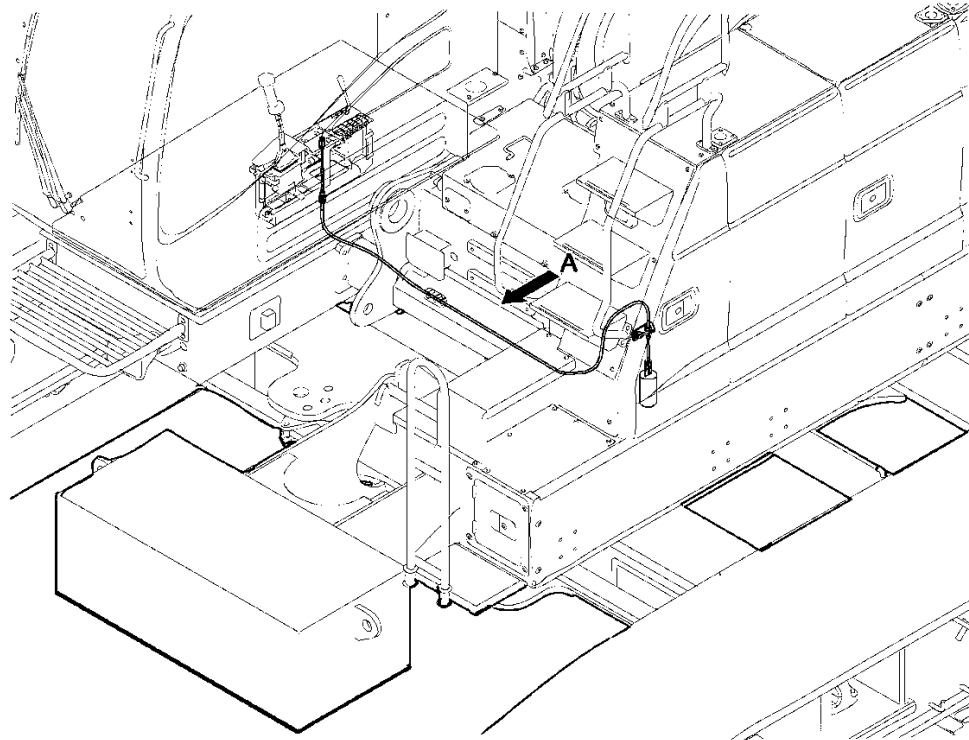
Item	FN	Part	Qty	Description
1		9999425404	1	GRIP
2		9999425405	1	PLATE

Manitowoc

LOCK ASSY, SWING



VIEW A



Manitowoc

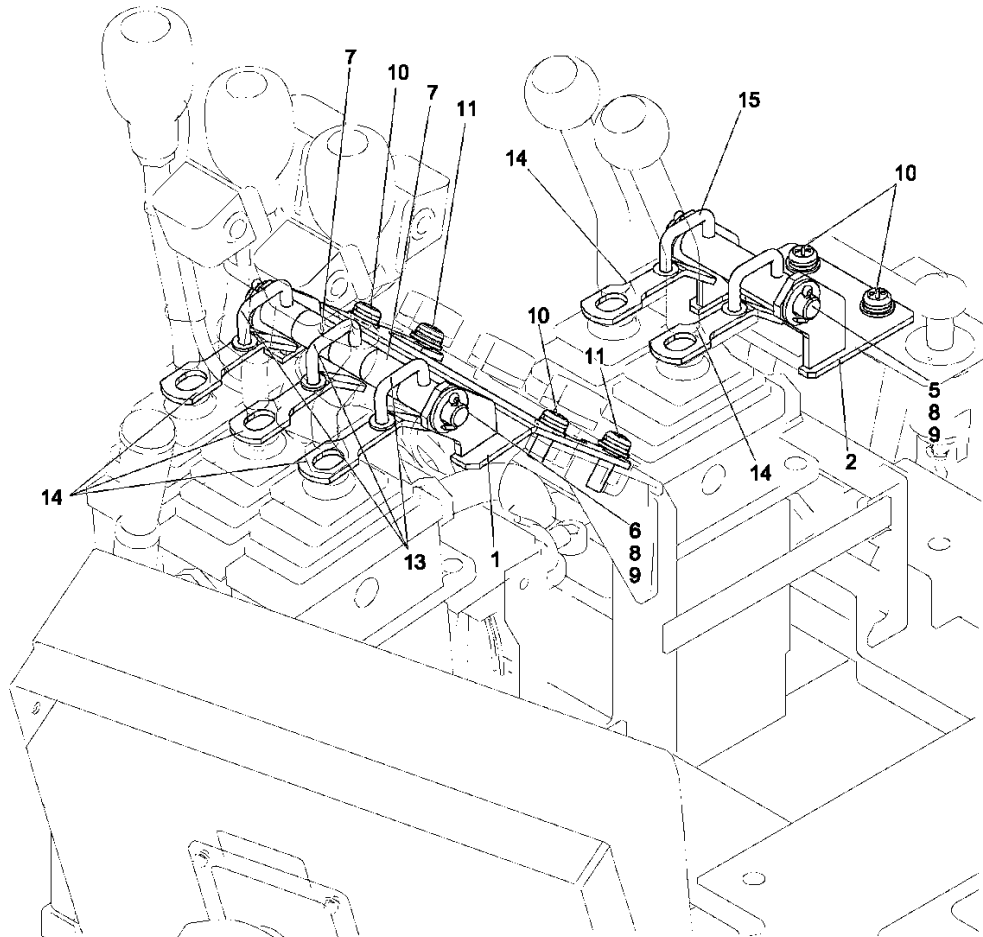
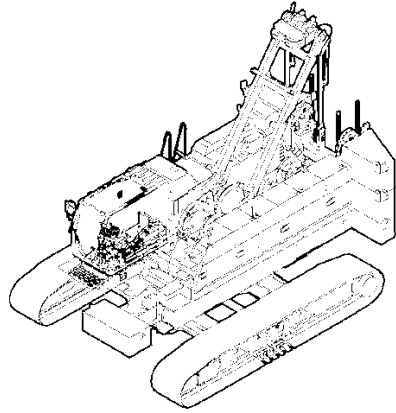
Description
LOCK ASSY, SWING

Assembly No.
9999430933
Revision:

Item	FN	Part	Qty	Description
1		9999429675	1	PIN
2		9999431706	1	BRKT
3		9999424526	2	SEMS-BOLT
4		9999421346	2	NUT
5		9999400478	2	YOKE
6		9999432135	1	CABLE, CNTRL

Manitowoc

LOCK ASSY, LEVER
FRONT, REAR WINCH, PROPEL



Manitowoc

Description

LOCK ASSY, LEVER FRT, RR WINCH, PROPEL

Assembly No.

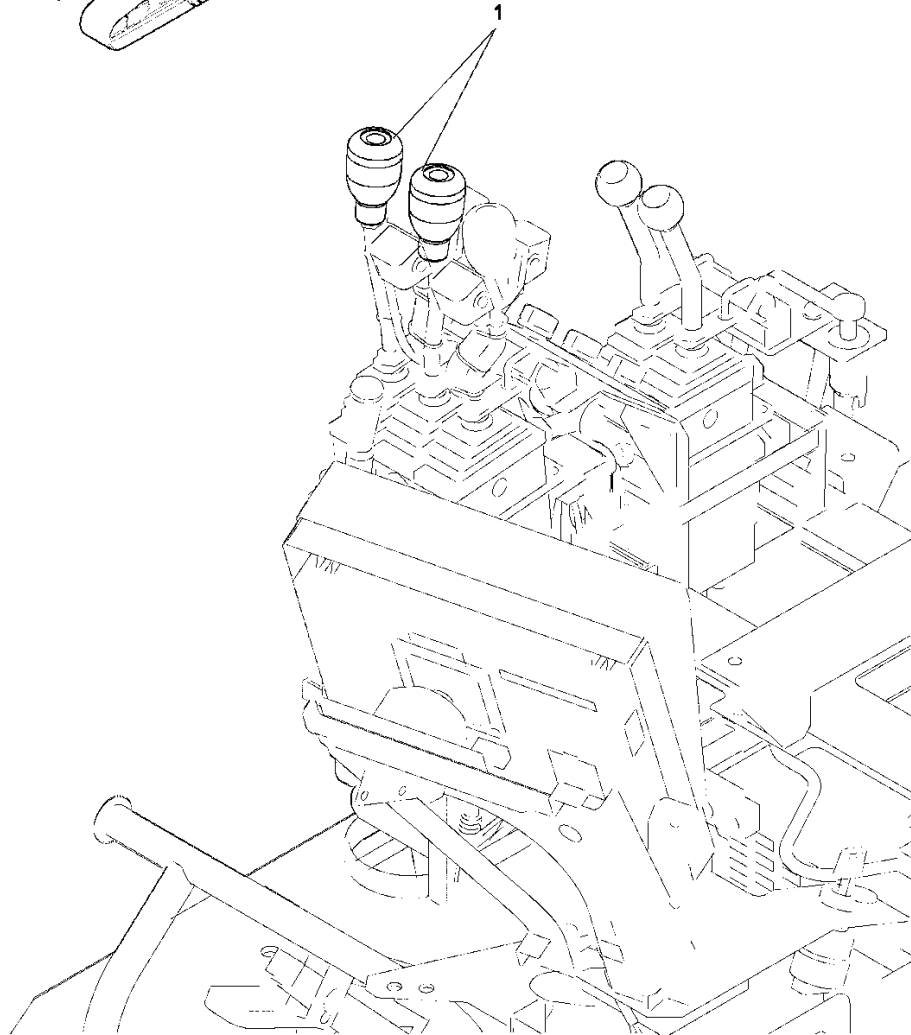
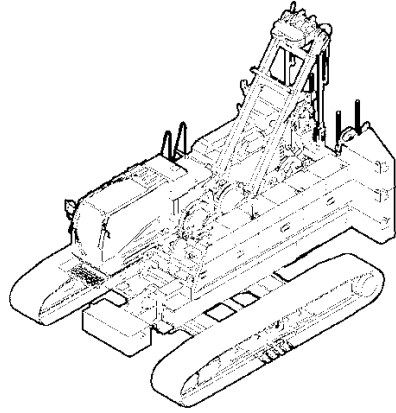
9999430921

Revision:

Item	FN	Part	Qty	Description
1		9999431682	1	BRKT
2		9999431683	1	BRKT
5		9999431823	1	PIN
6		9999431822	1	PIN
7		9999431820	2	SPACER
8		9999424856	4	WASHER,
9		9999419805	4	PIN, SPLIT
10		9999432200	4	SEMS-BOLT
11		9999432201	2	SEMS-BOLT
13		9999431831	3	LEVER ASSY
14		9999431685	5	PLATE
15		9999431832	1	LEVER ASSY

Manitowoc

GRIP ASSY
FRONT, REAR WINCH LEVER / OPT.



Manitowoc

Description

GRIP ASSY FRT, RR WINCH LEVER

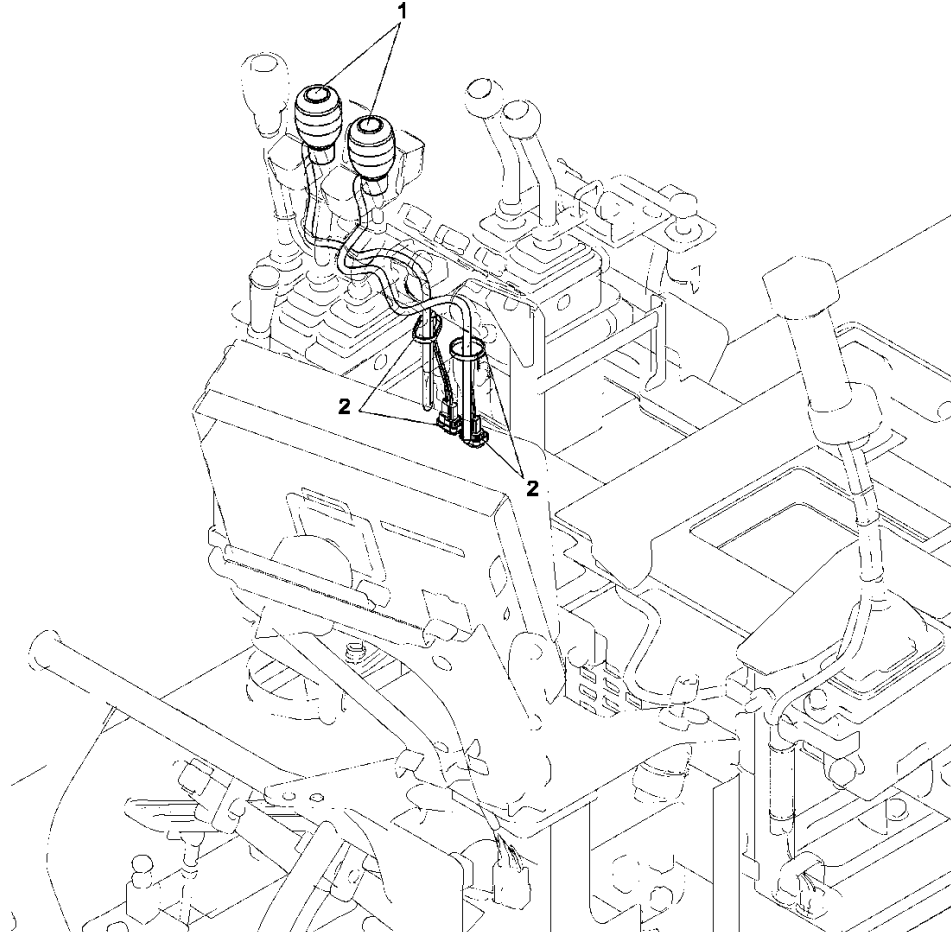
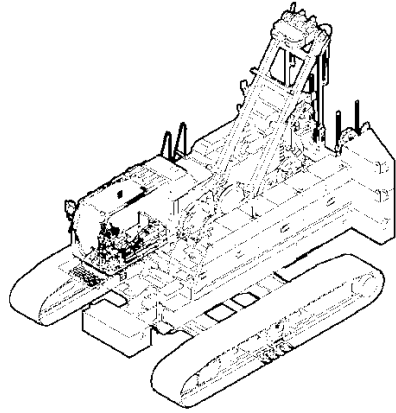
Assembly No.

9999430970

Revision:

Item	FN	Part	Qty	Description
1		9999407219	2	GRIP

GRIP ASSY REAR WINCH LEVER / WITH DRUM TURN SENSOR



Manitowoc

Description

**GRIP ASSY FRT, RR WINCH LEVER W/ DRUM
TURN SENSOR**

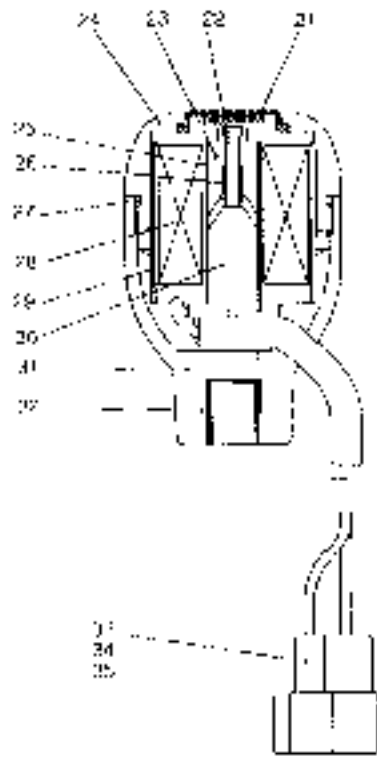
Assembly No.

9999430969

Revision:

Item	FN	Part	Qty	Description
1		9999407221	2	GRIP ASSY
2		9999406274	4	CLIP

Manitowoc



Manitowoc

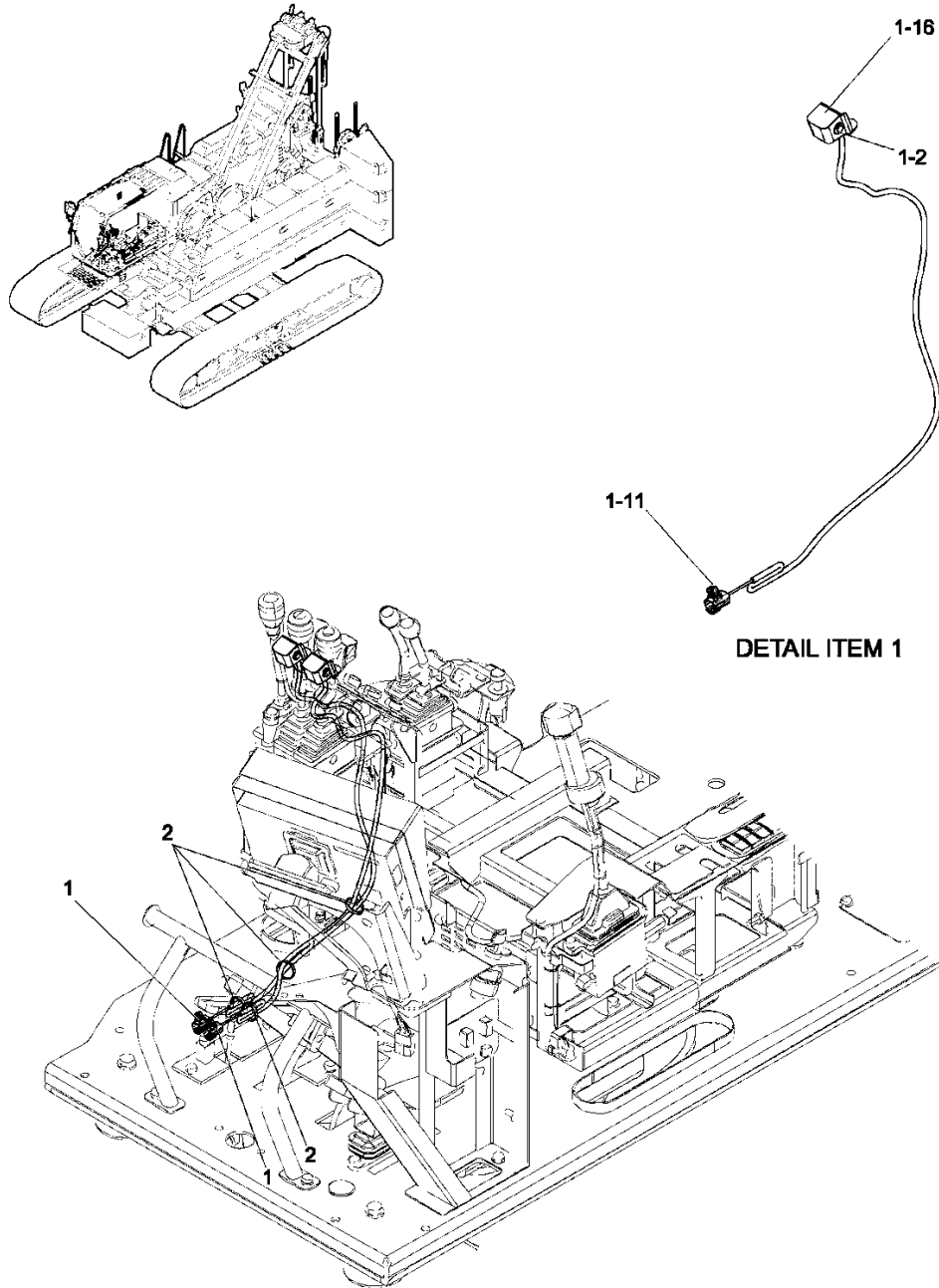
Description
GRIP ASSY

Assembly No.
9999407221
Revision:

Item	FN	Part	Qty	Description
21		9999422890	1	CAP
22		9999422891	1	ROD
23		9999422892	1	CORE
24		9999422893	1	COVER
25		9999422894	1	CASE
26		9999422895	1	SPRING
27		9999422896	1	O-RING
28		9999422897	1	COIL
29		9999422898	1	CASE
30		9999422899	1	PIN
31		9999422900	1	BODY
32		9999422901	1	SCREW,
33		9999422902	1	CABLE
34		9999407223	2	TERMINAL
35		9999407224	1	CONNECTOR

Manitowoc

SWITCH INSTAL FRONT, REAR WINCH FREE FALL SELECTOR / WITH FREE FALL



Manitowoc

Description

**SWITCH INSTAL FRT, RR WINCH FREE FALL SELECTOR
W/ FREE FALL**

Assembly No.

9999430963

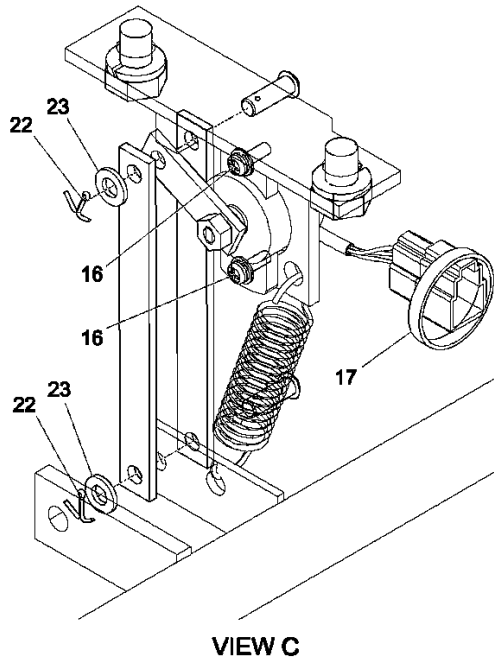
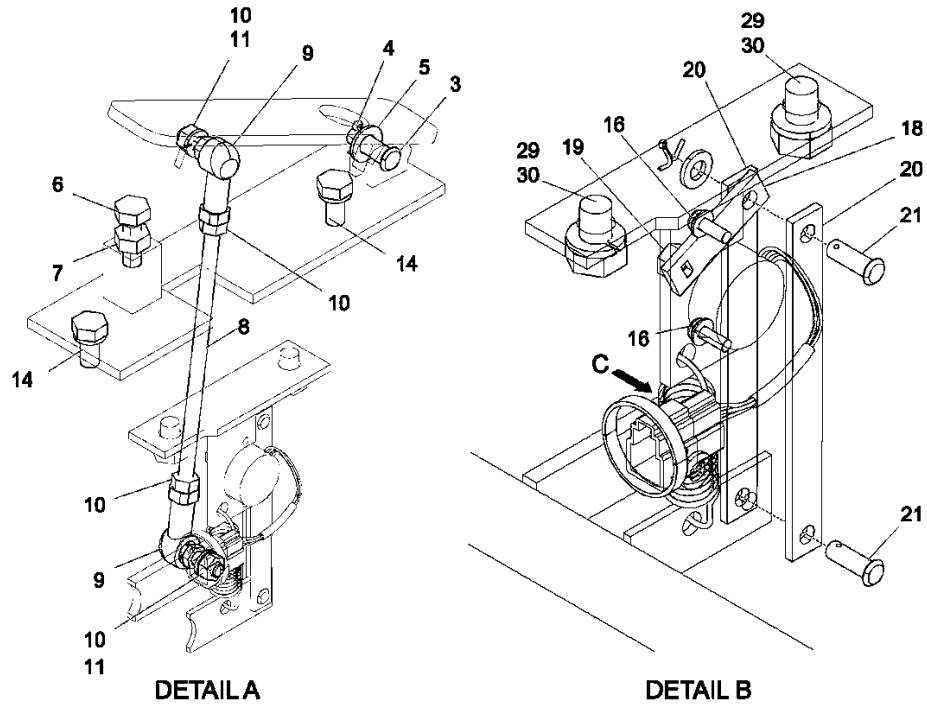
Revision:

Item	FN	Part	Qty	Description
1		9999408120	2	SWITCH ASSY
1-2		9999430089	1	SWITCH
1-11		9999422676	1	CLAMP
1-16		9999425591	1	BRACKET
2		9999406274	4	CLIP

Manitowoc

Notes

Manitowoc



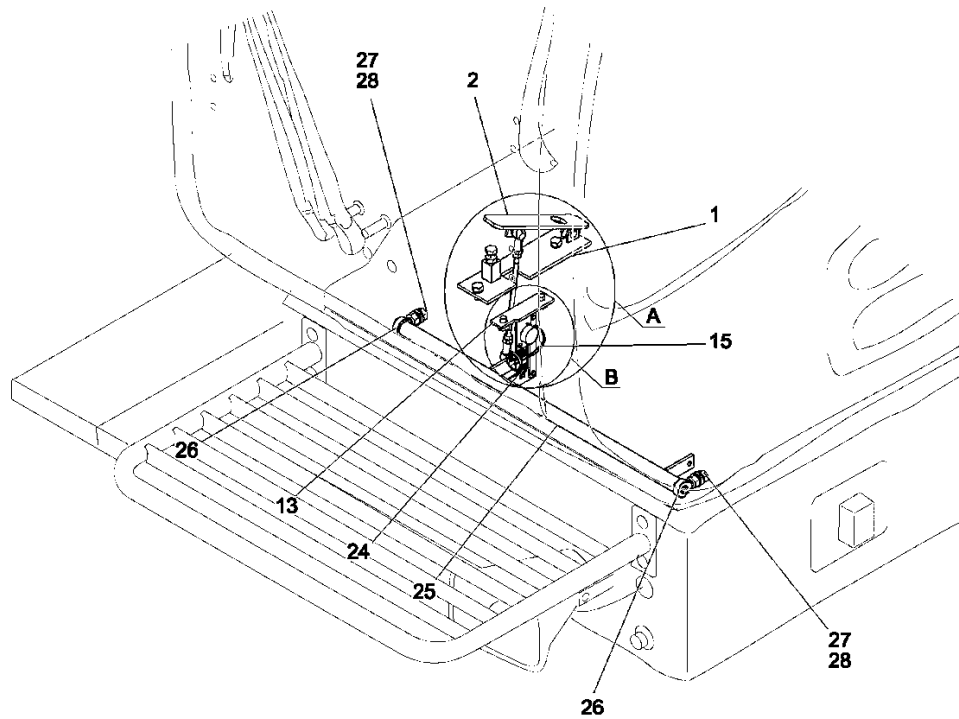
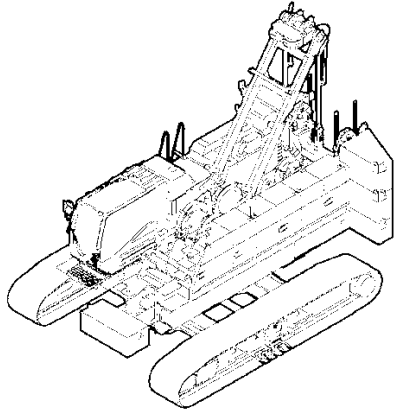
9999431000

(SHEET 2 OF 2)

<https://cranemanuals.com>

Manitowoc

PEDAL ASSY FOOT ACCELERATOR (RIGHT) / STD.



Manitowoc

Description
PEDAL ASSY FOOT ACCELERATOR RH / STD

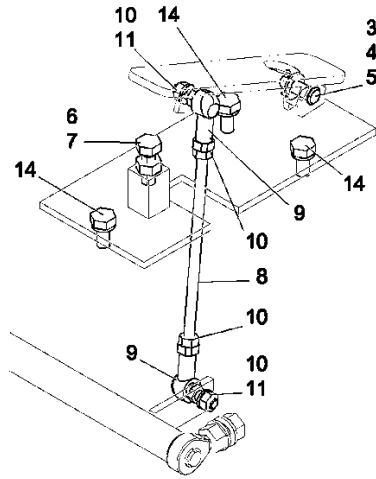
Assembly No.
9999431000
 Revision:

Item	FN	Part	Qty	Description
1		9999423673	1	BRACKET
2		9999422951	1	PEDAL
3		9999419865	1	PIN
4		9999419805	1	PIN, SPLIT
5		9999424855	1	WASHER,
6		9999424694	1	CAPSCREW
7		9999424567	1	NUT
8		9999406317	1	ROD
9		9999408725	2	JOINT, BALL
10		9999424565	4	NUT
11		9999424876	2	LOCK WASHER
13		9999422952	1	BRACKET
14		9999424510	2	SEMS-BOLT
15		9999421253	1	POTENTIOMETER
16		9999424533	2	SEMS-BOLT
17		9999406274	1	CLIP
18		9999407391	1	LEVER
19		9999421346	1	NUT
20		9999407393	2	LINK
21		9999424622	2	PIN
22		9999432218	2	PIN, SPLIT
23		9999424853	2	WASHER,
24		9999407394	1	SPRING
25		9999431946	1	LINK
26		9999408773	2	ROD END
27		9999421348	4	NUT
28		9999424856	4	WASHER,
29		9999424691	2	CAPSCREW
30		9999424877	2	LOCK WASHER

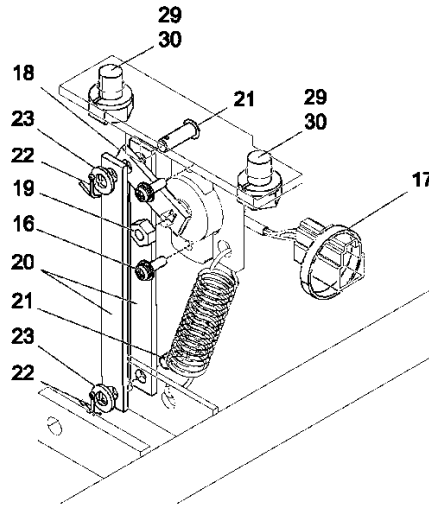
Manitowoc

Notes

Manitowoc



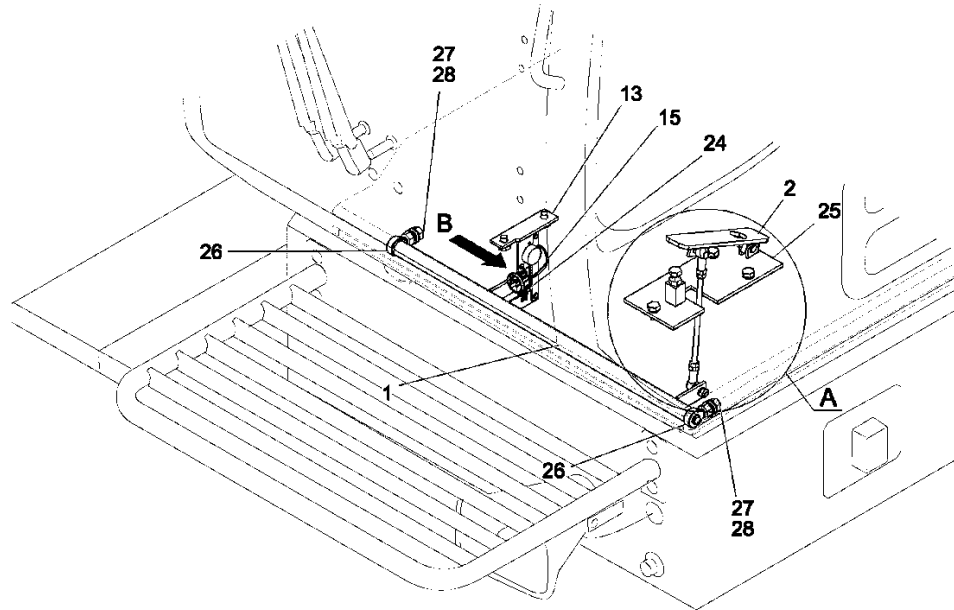
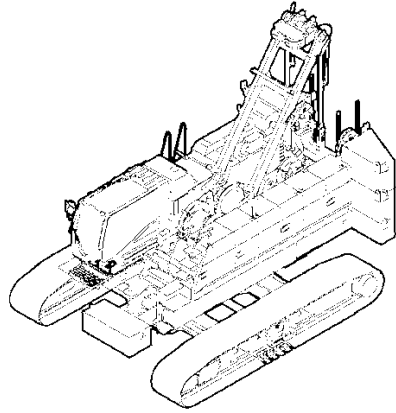
DATAILA



VIEW B

Manitowoc

PEDAL ASSY FOOT ACCELERATOR (LEFT) / OPT.



Manitowoc

Description
PEDAL ASSY FOOT ACCELERATOR LH

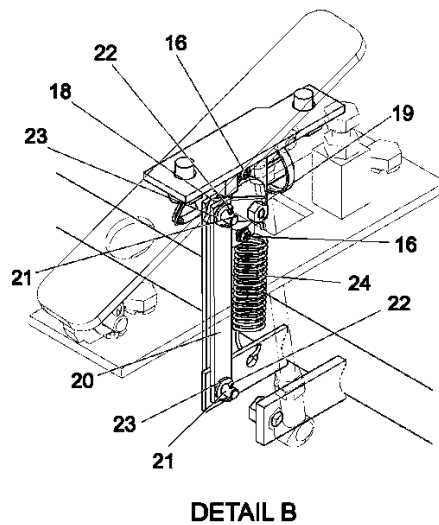
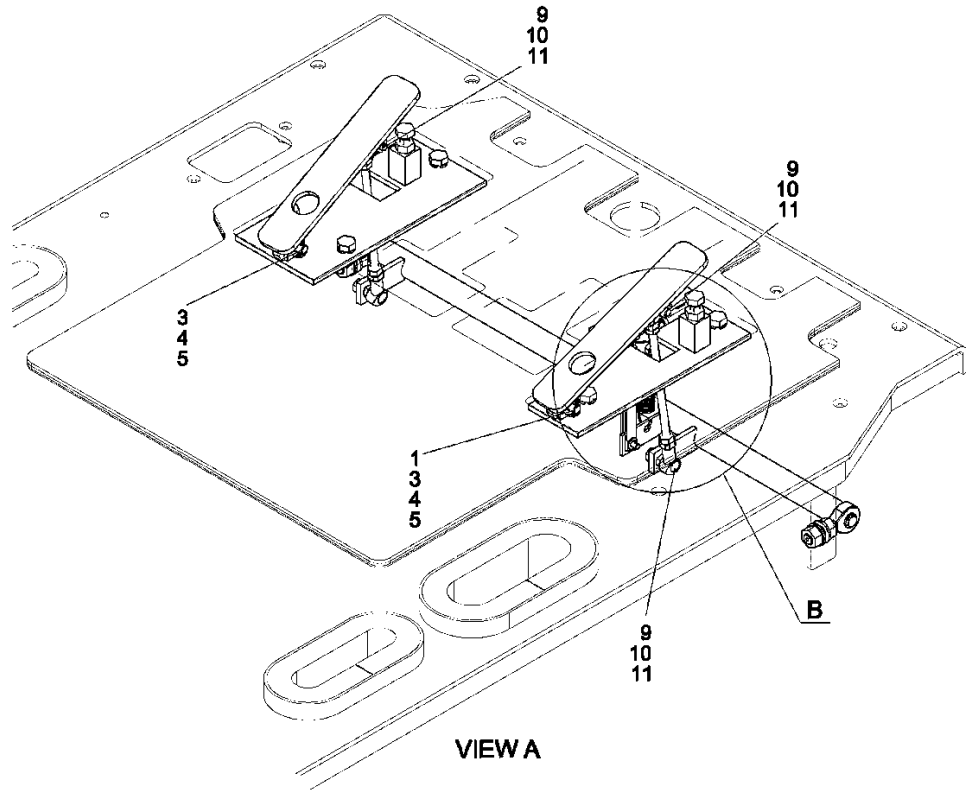
Assembly No.
9999431004
 Revision:

Item	FN	Part	Qty	Description
1		9999431946	1	LINK
2		9999422951	1	PEDAL
3		9999419865	1	PIN
4		9999419805	1	PIN, SPLIT
5		9999424855	1	WASHER,
6		9999424694	1	CAPSCREW
7		9999424567	1	NUT
8		9999406317	1	ROD
9		9999408725	2	JOINT, BALL
10		9999424565	4	NUT
11		9999424876	2	LOCK WASHER
13		9999422952	1	BRACKET
14		9999424510	3	SEMS-BOLT
15		9999421253	1	POTENTIOMETER
16		9999424533	2	SEMS-BOLT
17		9999406274	1	CLIP
18		9999407391	1	LEVER
19		9999421346	1	NUT
20		9999407393	2	LINK
21		9999424622	2	PIN
22		9999432218	2	PIN, SPLIT
23		9999424853	2	WASHER,
24		9999407394	1	SPRING
25		9999431945	1	BRKT
26		9999408773	2	ROD END
27		9999421348	4	NUT
28		9999424856	4	WASHER,
29		9999424691	2	CAPSCREW
30		9999424877	2	LOCK WASHER

Manitowoc

Notes

Manitowoc

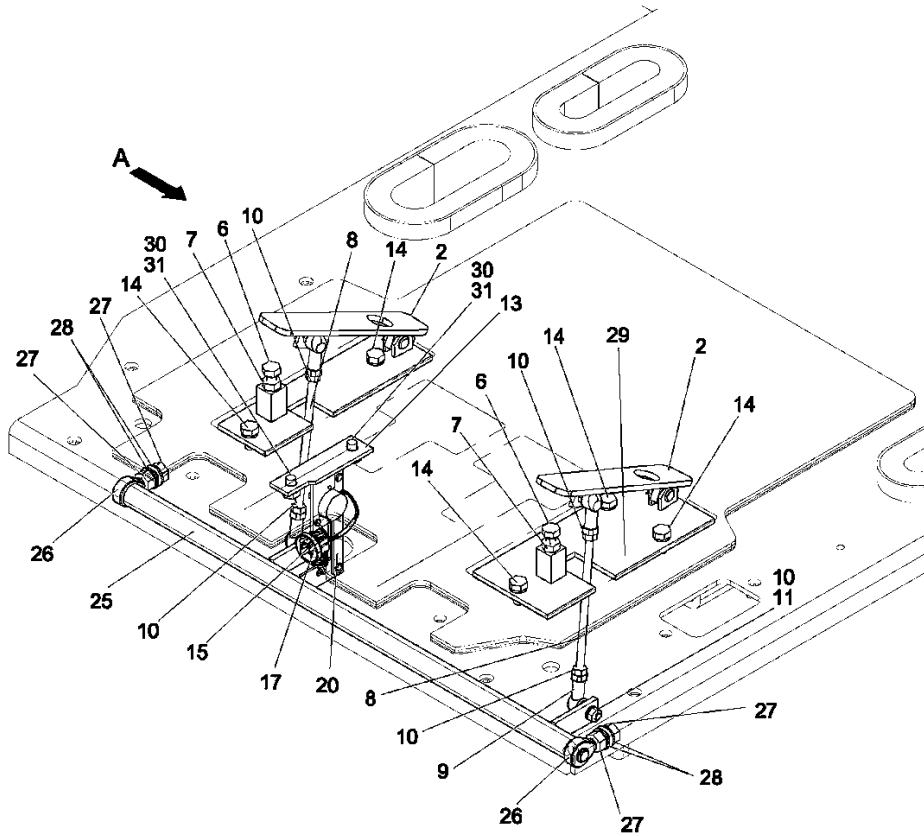
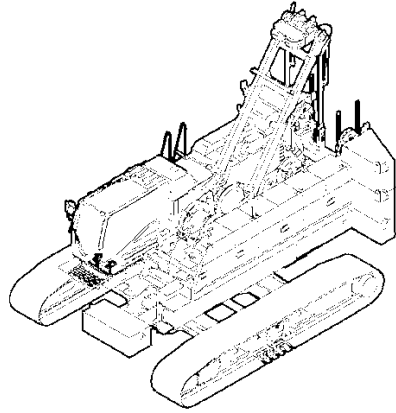


9999431005

(SHEET 2 OF 2)

Manitowoc

PEDAL ASSY FOOT ACCELERATOR (RIGHT & LEFT) / OPT.



Manitowoc

Description

PEDAL ASSY FOOT ACCELERATOR RH & LH

Assembly No.

9999431005

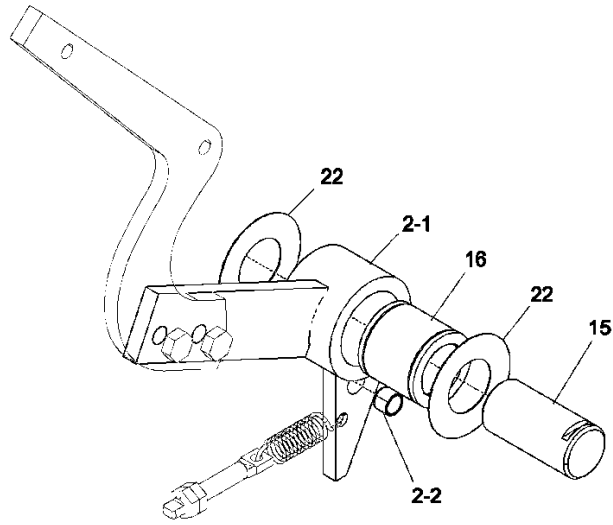
Revision:

Item	FN	Part	Qty	Description
1		9999423673	1	BRACKET
2		9999422951	2	PEDAL
3		9999419865	2	PIN
4		9999419805	2	PIN, SPLIT
5		9999424855	2	WASHER,
6		9999424694	2	CAPSCREW
7		9999424567	2	NUT
8		9999406317	2	ROD
9		9999408725	4	JOINT, BALL
10		9999424565	8	NUT
11		9999424876	4	LOCK WASHER
13		9999422952	1	BRACKET
14		9999424510	5	SEMS-BOLT
15		9999421253	1	POTENTIOMETER
16		9999424533	2	SEMS-BOLT
17		9999406274	1	CLIP
18		9999407391	1	LEVER
19		9999421346	1	NUT
20		9999407393	2	LINK
21		9999424622	2	PIN
22		9999432218	2	PIN, SPLIT
23		9999424853	2	WASHER,
24		9999407394	1	SPRING
25		9999431946	1	LINK
26		9999408773	2	ROD END
27		9999421348	4	NUT
28		9999424856	4	WASHER,
29		9999431945	1	BRKT
30		9999424691	2	CAPSCREW
31		9999424877	2	LOCK WASHER

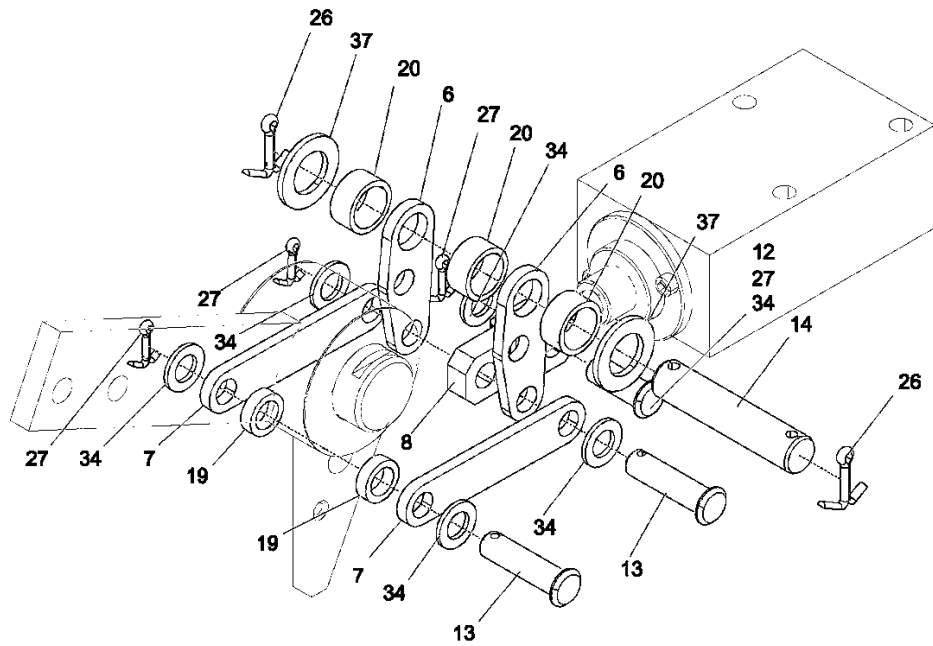
Manitowoc

Notes

Manitowoc

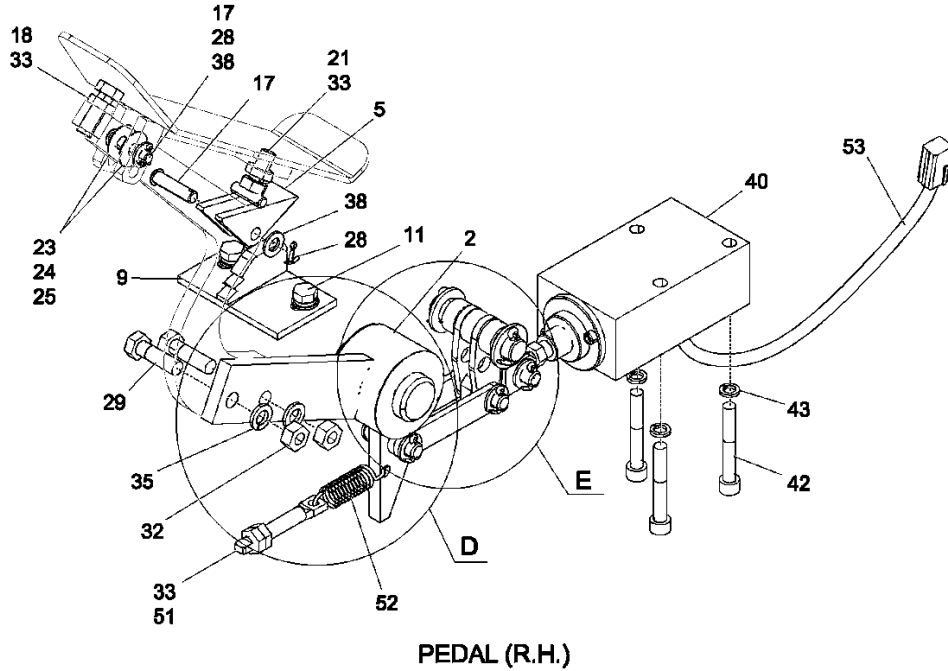
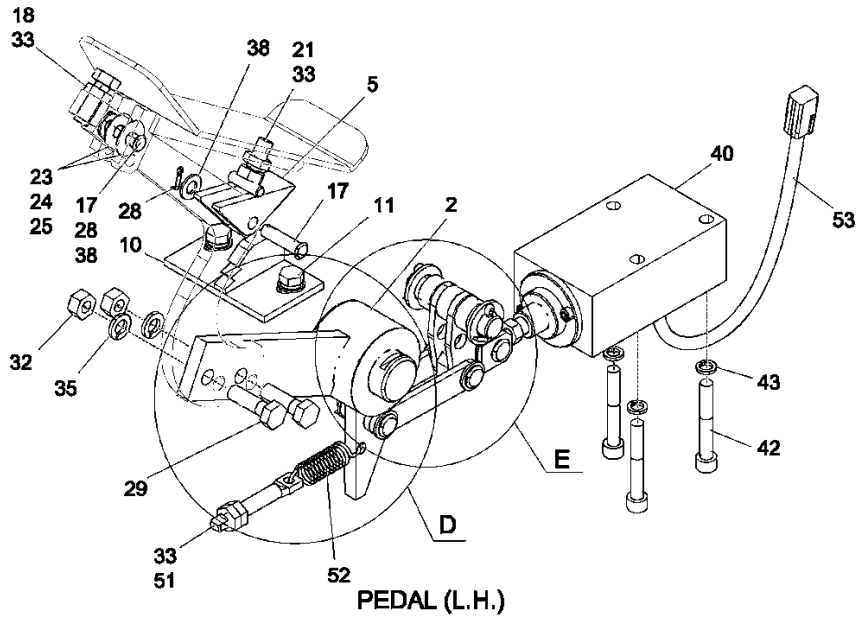


DETAIL D

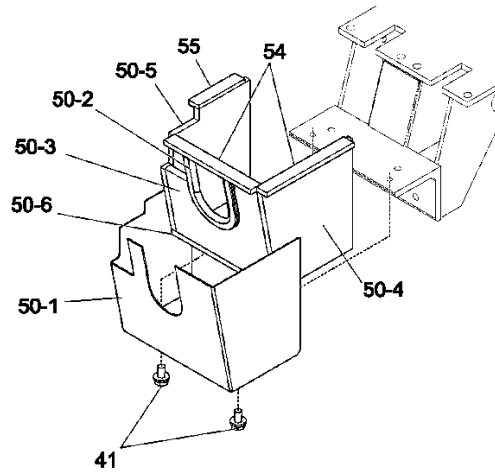


DETAIL E

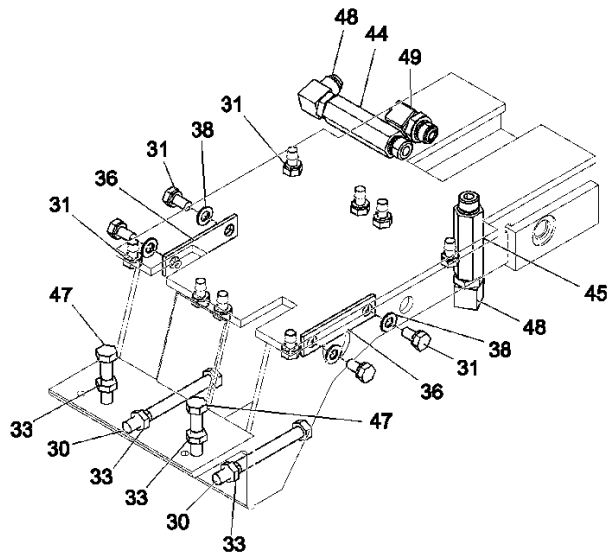
Manitowoc



Manitowoc



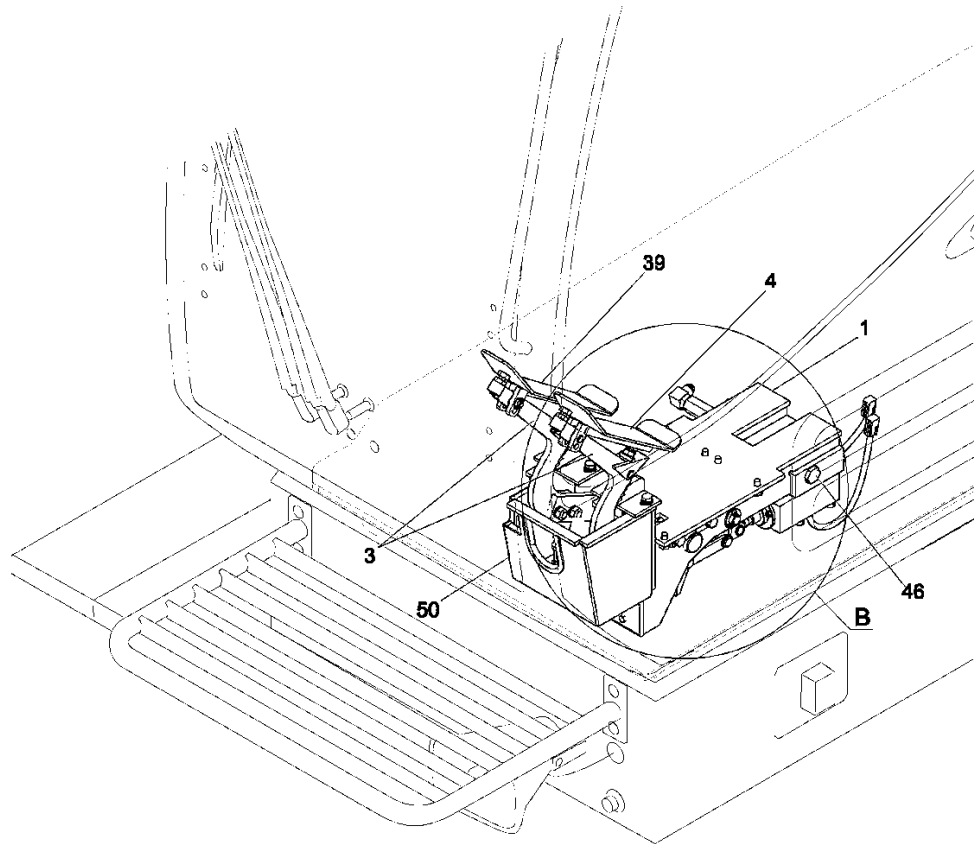
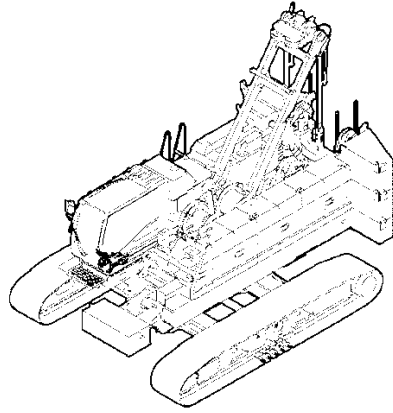
DETAIL ITEM 50



DETAIL B

Manitowoc

PEDAL ASSY
FRONT, REAR BRAKE / WITH FREE FALL



Manitowoc

Description

PEDAL ASSY FRT, RR BRAKE W/ FREE FALL

Assembly No.

9999430999

Revision:

Item	FN	Part	Qty	Description
1		9999431944	1	BRKT
2		9999408189	2	LEVER ASSY
2-1		9999423676	1	LEVER
2-2		9999400290	1	BUSHING
3		9999408192	2	LINK
4		9999408191	1	PEDAL
5		9999400463	2	PAWL
6		9999400437	4	LINK
7		9999408187	4	LINK
8		9999400450	2	LINK
9		9999408193	1	BRACKET
10		9999408194	1	BRACKET
11		9999424521	4	SEMS-BOLT
12		9999402888	2	PIN
13		9999402891	4	PIN
14		9999400087	2	PIN
15		9999403020	2	PIN
16		9999422611	2	BEARING
17		9999419867	4	PIN
18		9999424704	2	CAPSCREW
19		9999400049	4	SPACER
20		9999400051	6	SPACER
21		9999408186	2	BOLT
22		9999406174	4	SPACER
23		9999407395	4	SHIM,
24		9999407396	4	SHIM,
25		9999407397	4	SHIM,
26		9999424603	4	PIN, SPLIT
27		9999424601	6	PIN
28		9999424598	4	PIN, SPLIT
29		9999421375	4	CAPSCREW
30		9999424712	2	CAPSCREW
31		9999424510	12	SEMS-BOLT
32		9999421348	4	NUT

Manitowoc

Description

PEDAL ASSY FRT, RR BRAKE W/ FREE FALL

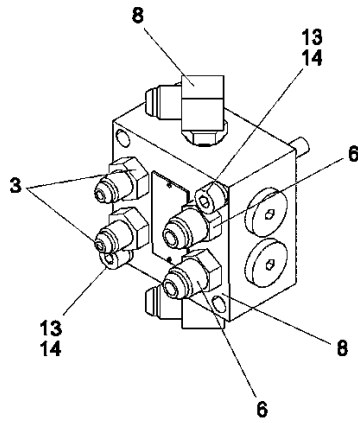
Assembly No.

9999430999

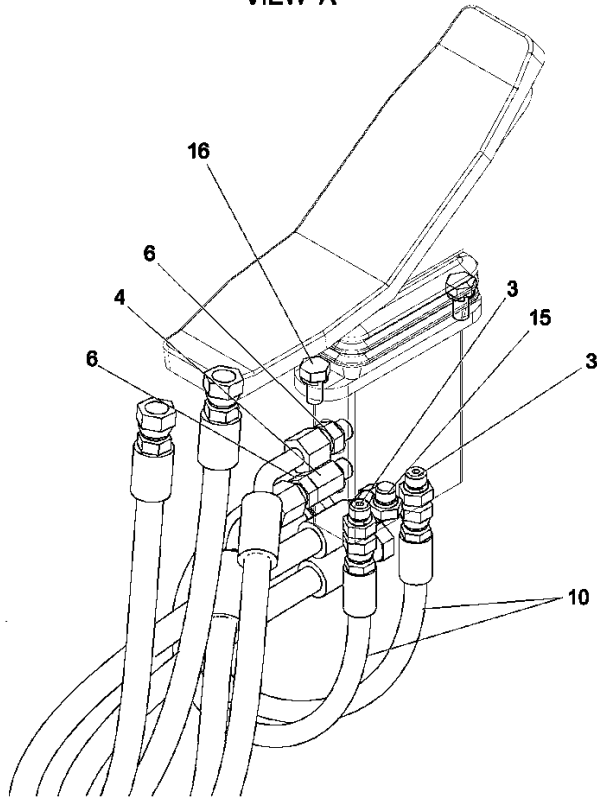
Revision:

Item	FN	Part	Qty	Description
33		9999432216	12	NUT
34		9999424856	10	WASHER,
35		9999421387	4	LOCK WASHER
36		9999402657	2	PLATE
37		9999424860	4	WASHER,
38		9999424855	8	WASHER,
39		9999408190	1	PEDAL
40		9999408020	2	VALVE ASSY
41		9999432210	2	SEMS-BOLT
42		9999424767	6	CAPSCREW
43		9999424867	6	LOCK WASHER
44		9999432048	1	CONNECTOR
45		9999424051	1	CONNECTOR
46		9999424449	1	PLUG
47		9999424706	2	CAPSCREW
48		9999424490	2	ELBOW, 90
49		9999408706	1	ELBOW, 90
50		9999431942	1	COVER ASSY
50-1		9999431941	1	COVER
50-2		9999404115	1	TRIM
50-3		9999431629	1	INSULATION
50-4		9999431627	1	INSULATION
50-5		9999431628	1	INSULATION
50-6		9999431630	1	INSULATION
51		9999403376	2	BOLT, EYE
52		9999400023	2	SPRING
53		9999408131	2	SWITCH, PRESSURE
54		9999431177	2	RUBBER
55		9999431176	1	RUBBER

Manitowoc



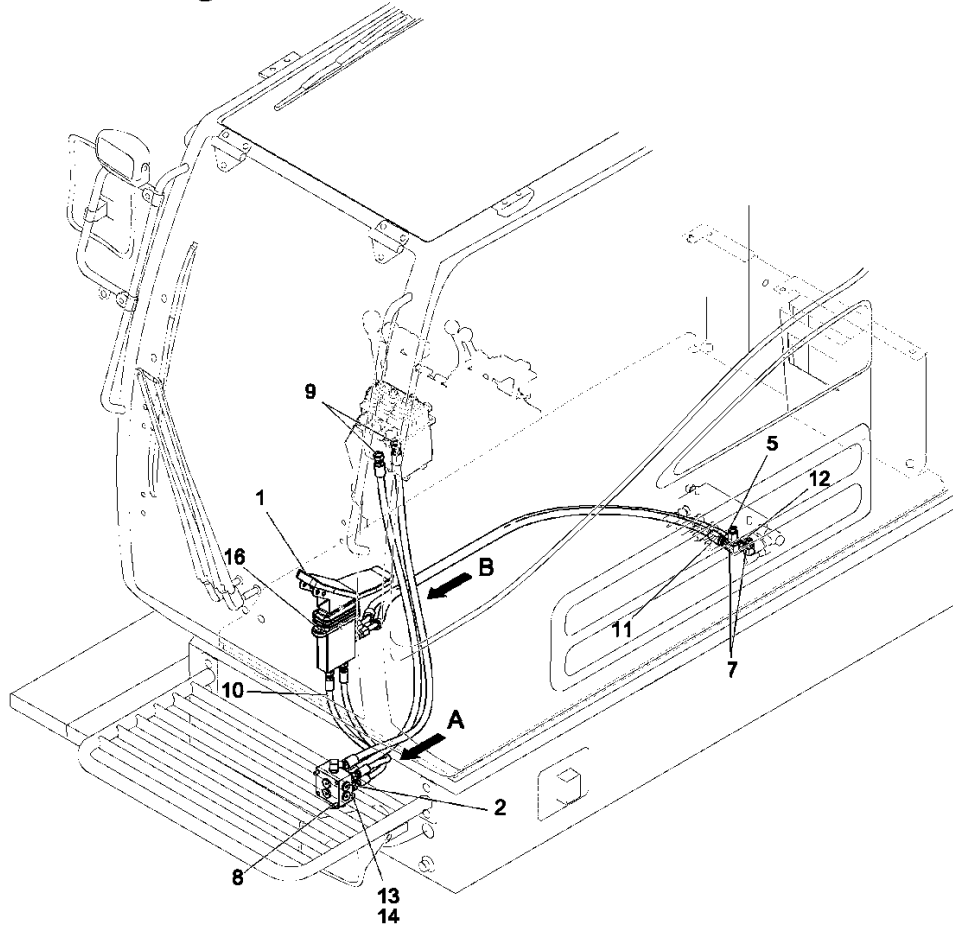
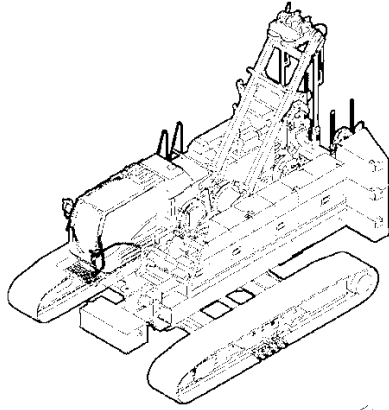
VIEW A



VIEW B

Manitowoc

PEDAL ASSY, BOOM
BOOM HOIST (RIGHT) / OPT.



Manitowoc

Description
PEDAL ASSY, BOOM HOIST RH

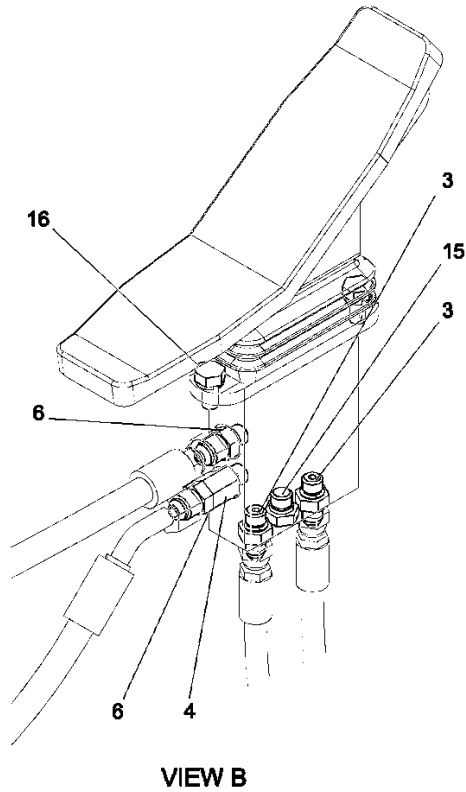
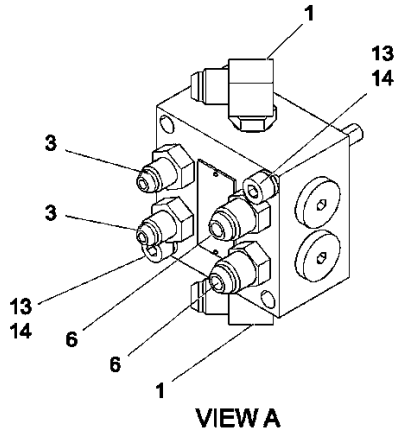
Assembly No.
9999431002
 Revision:

Item	FN	Part	Qty	Description
1		9999408066	1	VALVE ASSY
2		9999404707	1	VALVE, SHUTTLE
3		9999424475	4	CONNECTOR
4		9999426065	1	CONNECTOR
5		9999432046	1	CONNECTOR
6		9999422541	4	CONNECTOR
7		9999424488	2	ELBOW, 90
8		9999421210	2	ELBOW, 90
9		9999424904	2	HOSE ASSY
10		9999432257	2	HOSE ASSY
11		9999432346	1	HOSE ASSY
12		9999432347	1	HOSE ASSY
13		9999424866	2	LOCK WASHER
14		9999421383	2	CAPSCR
15		9999424447	1	PLUG
16		9999424510	2	SEMS-BOLT

Manitowoc

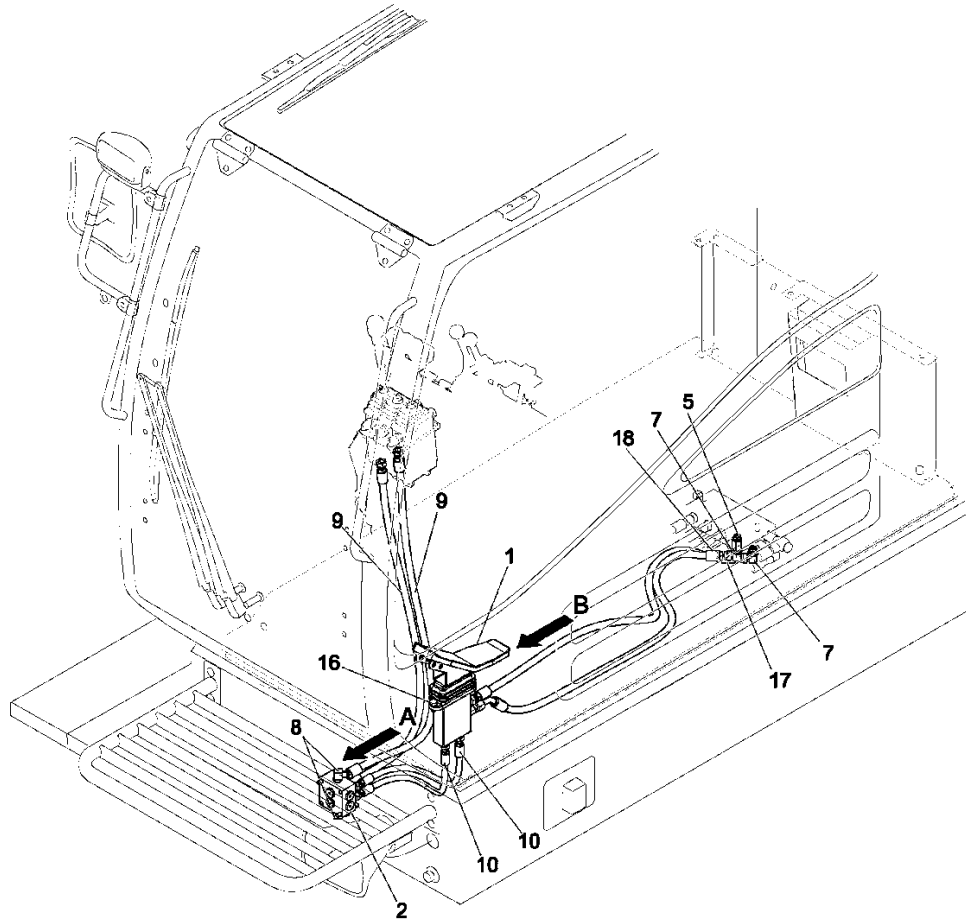
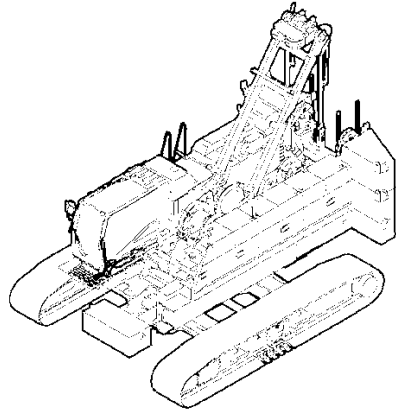
Notes

Manitowoc



Manitowoc

PEDAL ASSY, BOOM
BOOM HOIST (LEFT) / OPT.



Manitowoc

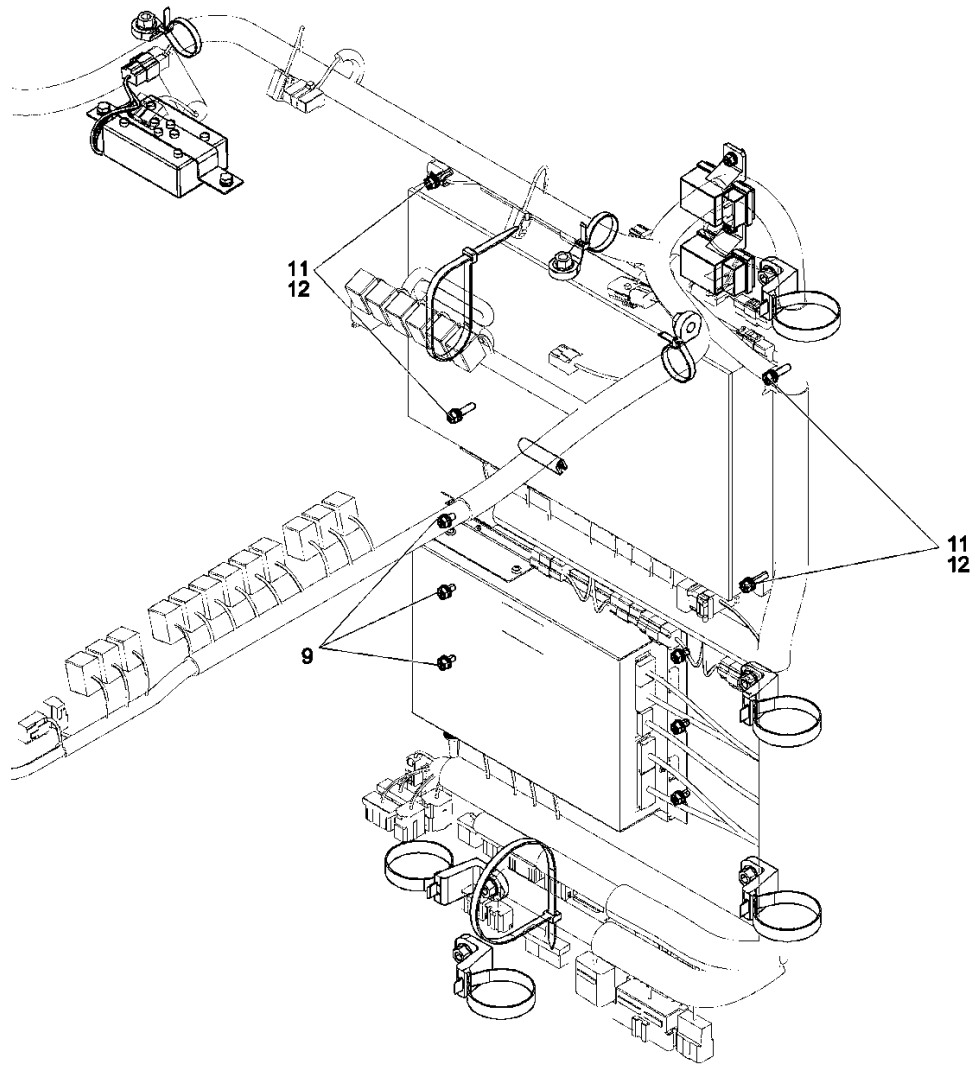
Description
PEDAL ASSY, BOOM HOIST LH

Assembly No.
9999431003
 Revision:

Item	FN	Part	Qty	Description
1		9999408066	1	VALVE ASSY
2		9999404707	1	VALVE, SHUTTLE
3		9999424475	4	CONNECTOR
4		9999426065	1	CONNECTOR
5		9999432046	1	CONNECTOR
6		9999422541	4	CONNECTOR
7		9999424488	2	ELBOW, 90
8		9999421210	2	ELBOW, 90
9		9999424904	2	HOSE ASSY
10		9999432257	2	HOSE ASSY
13		9999424866	2	LOCK WASHER
14		9999421383	2	CAPSCR
15		9999424447	1	PLUG
16		9999424510	2	SEMS-BOLT
17		9999424905	1	HOSE ASSY
18		9999432344	1	HOSE ASSY

Manitowoc

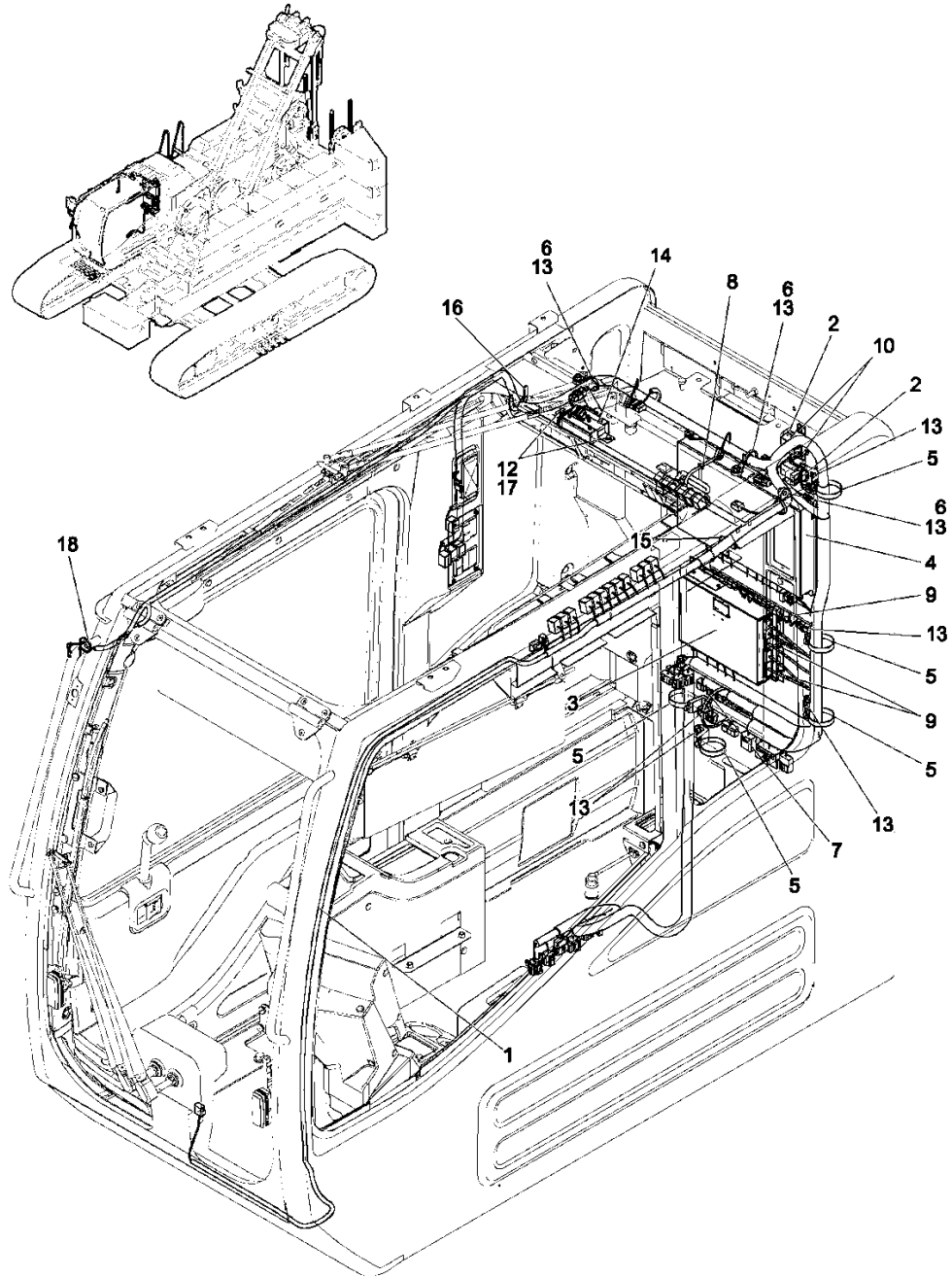
Notes



DETAIL ITEM 9,11,12

Manitowoc

ELEC ASSY, CAB
IN CAB



Manitowoc

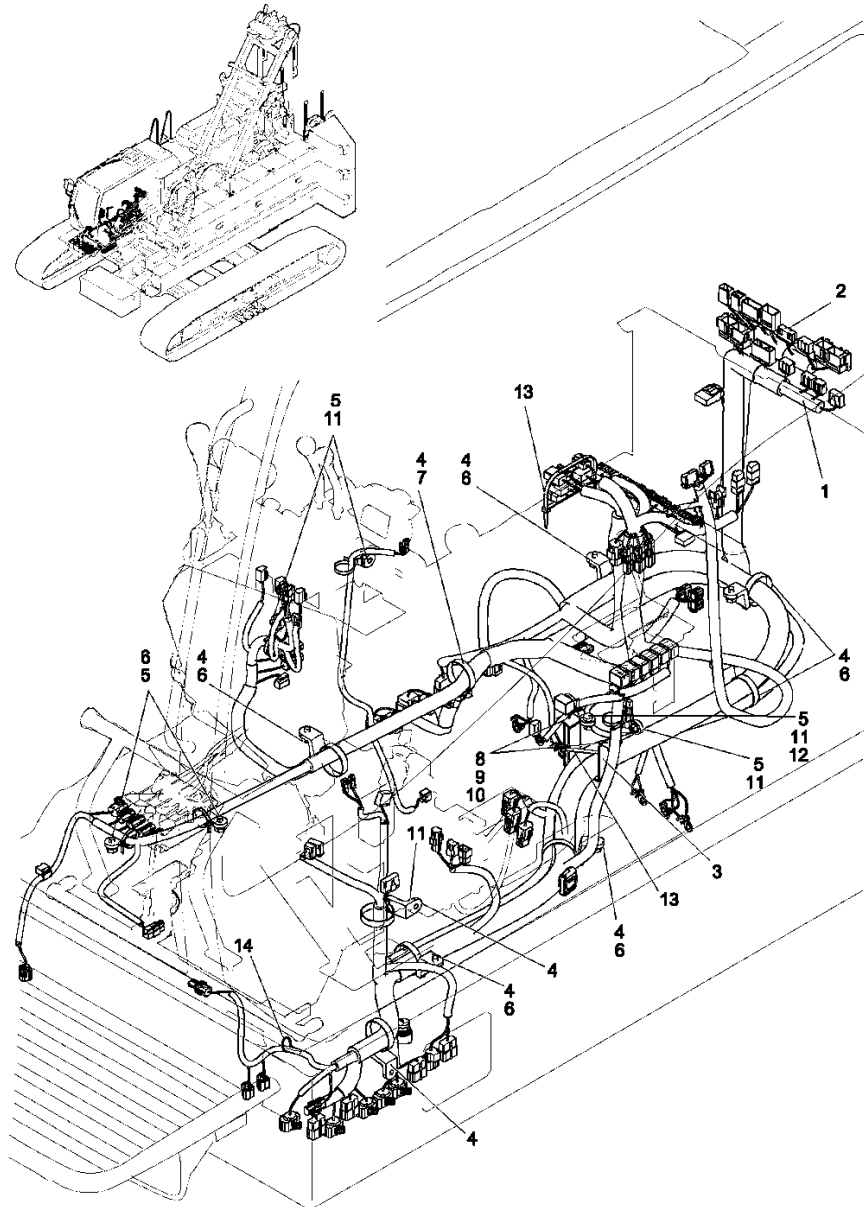
Description
ELEC ASSY, CAB

Assembly No.
9999430846
 Revision:

Item	FN	Part	Qty	Description
1		9999431389	1	HARNESS
2		9999421445	2	RELAY
3		9999431154	1	MOMENT LIMITER ASSY
4		9999431153	1	CNTRLLER ASSY
5		9999427939	5	CLIP
6		9999427940	3	CLIP
7		9999406275	1	CLIP
8		9999406274	1	CLIP
9		9999426467	6	SEMS-BOLT
10		9999432204	2	SEMS-BOLT
11		9999432205	4	SEMS-BOLT
12		9999424853	6	WASHER,
13		9999408711	8	NUT
14		9999431928	1	BUZZER
15		9999431116	1	TRIM
16		9999431099	1	TRIM
17		9999424504	2	BOLT
18		9999406273	1	CLIP

Manitowoc

ELEC ASSY FLOOR PLATE



Manitowoc

Description

ELEC ASSY FLOOR PLATE

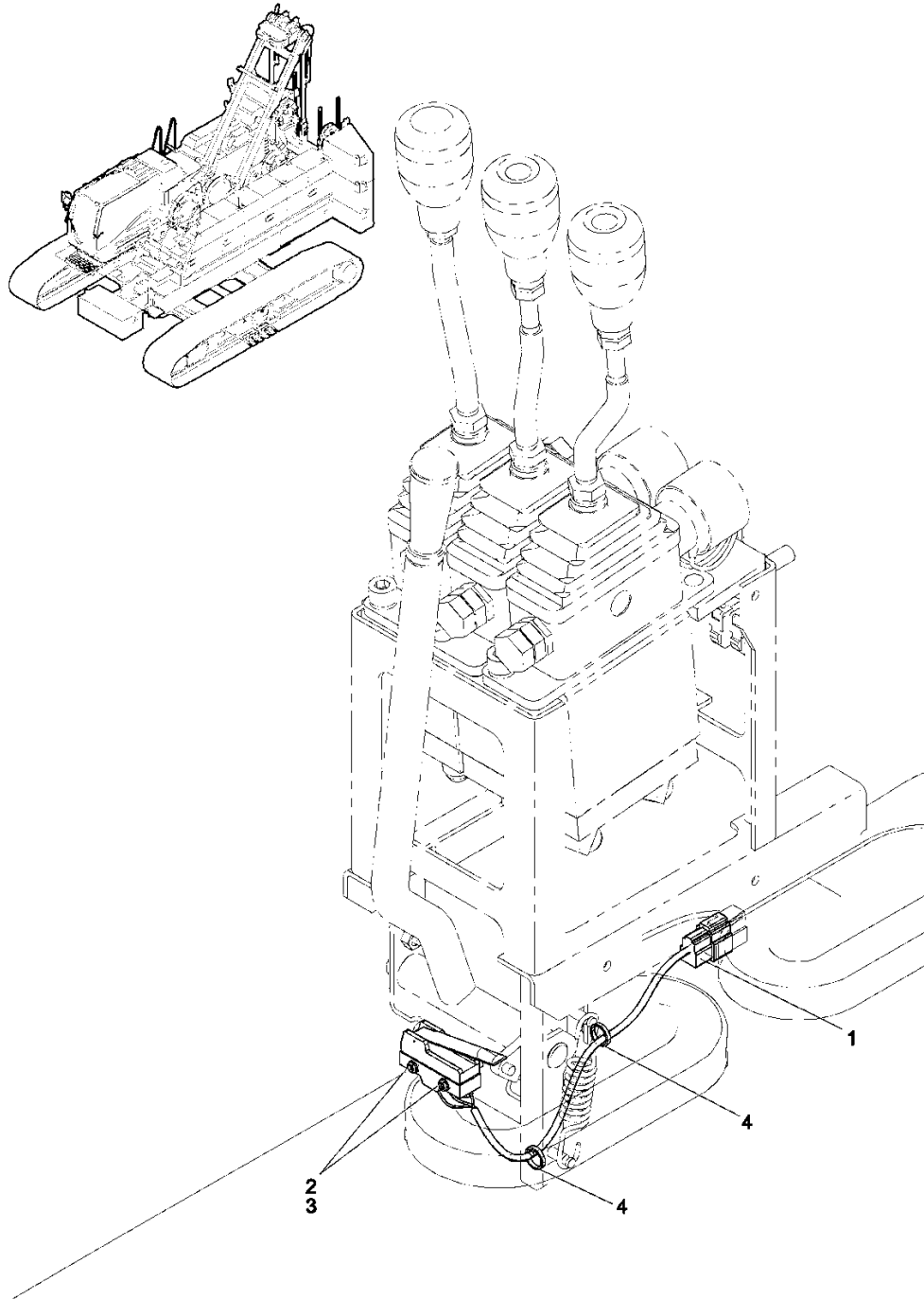
Assembly No.

9999430802

Revision:

Item	FN	Part	Qty	Description
1		9999431345	1	HARNESS
2		9999431344	1	HARNESS
3		9999406402	1	CLAMP
4		9999427939	9	CLIP
5		9999427940	6	CLIP
6		9999424521	8	SEMS-BOLT
7		9999424523	1	SEMS-BOLT
8		9999424691	2	CAPSCREW
9		9999424877	2	LOCK WASHER
10		9999424855	2	WASHER,
11		9999408711	5	NUT
12		9999424649	1	CAPSCREW
13		9999406275	2	CLIP
14		9999406272	1	CLIP

SWITCH INSTAL., LIMIT FUNCTION LOCK LEVER



Manitowoc

Description

SWITCH INSTAL, LIMIT FUNCTION LOCK LEVER

Assembly No.

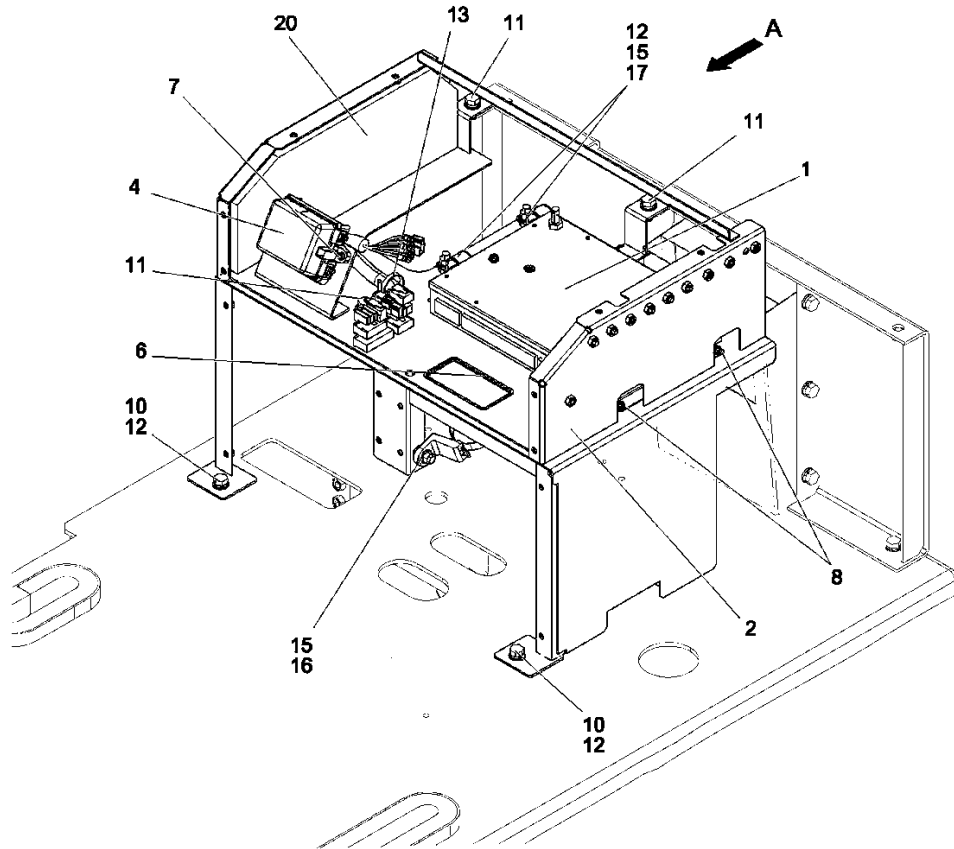
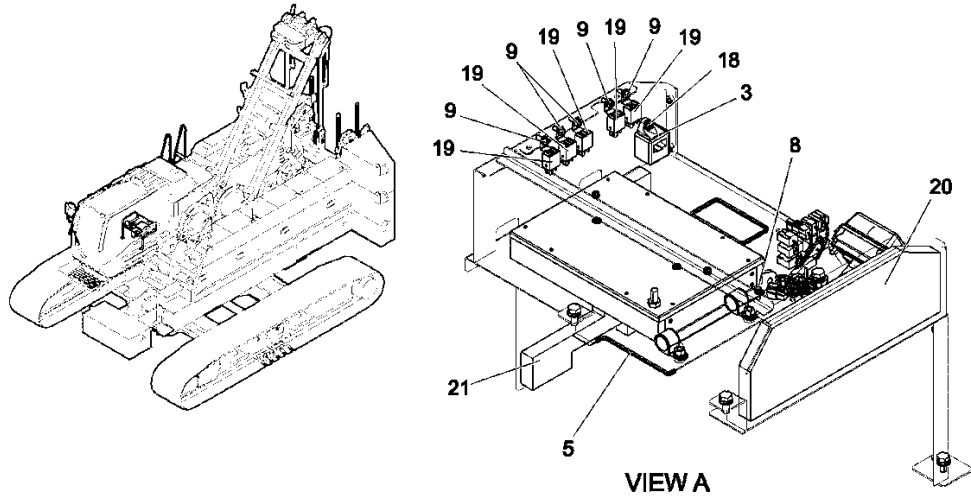
9999430972

Revision:

Item	FN	Part	Qty	Description
1		9999407256	1	SWITCH
2		9999424788	2	MACHINE SCREW
3		9999424873	2	LOCK WASHER
4		9999406272	2	CLIP

Manitowoc

RELAY BOX ASSY



Manitowoc

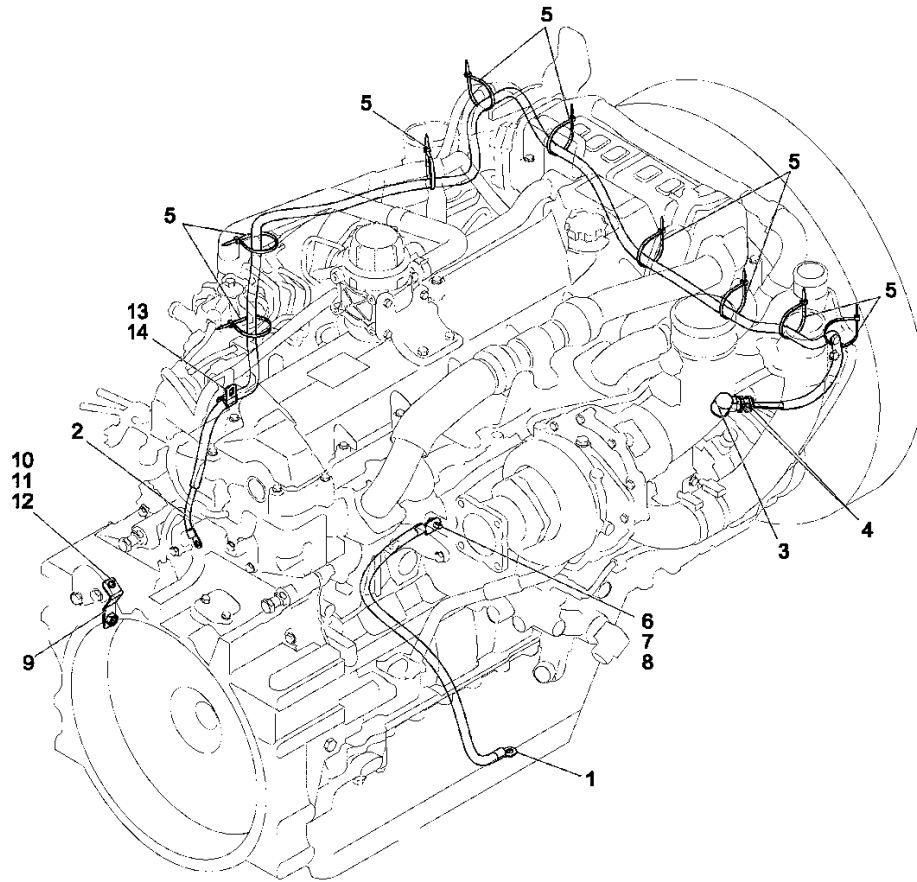
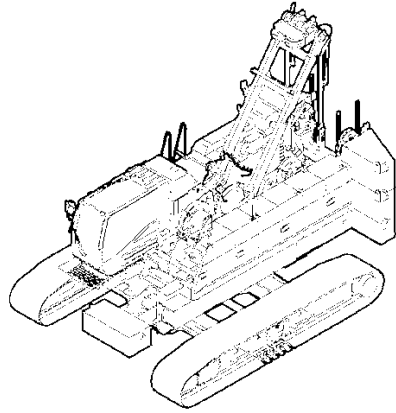
Description
RELAY BOX ASSY

Assembly No.
9999430911
 Revision:

Item	FN	Part	Qty	Description
1		9999431616	1	RELAY BOX ASSY
2		9999431619	1	BRKT
3		9999421449	1	CONTROLLER
4		9999432026	1	FUSE ASSY
5		9999406576	1	TRIM
6		9999431178	1	TRIM
7		9999420260	2	MACHINE SCREW
8		9999424532	4	SEMS-BOLT
9		9999424540	5	SEMS-BOLT
10		9999419667	2	SEMS-BOLT
11		9999424522	3	SEMS-BOLT
12		9999424855	4	WASHER,
13		9999427940	1	CLIP
15		9999408711	3	NUT
16		9999427939	1	CLIP
17		9999431166	2	CLIP
18		9999424541	1	SEMS-BOLT
19		9999431163	5	RELAY
20		9999431665	1	INSULATION
21		9999431676	1	INSULATION

Manitowoc

ELEC ASSY, ENGINE
ENGINE



Manitowoc

Description
ELEC ASSY, ENGINE

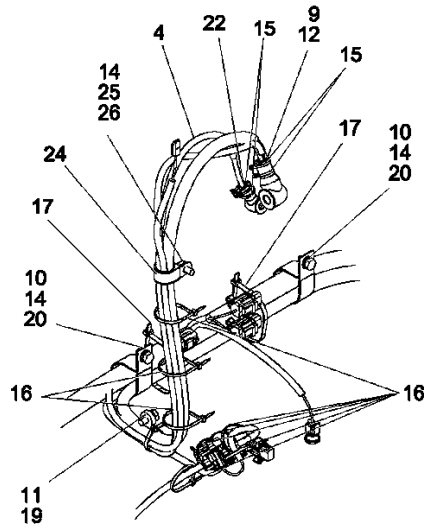
Assembly No.
9999430855
Revision:

Item	FN	Part	Qty	Description
1		9999431403	1	CABLE
2		9999431404	1	CABLE
3		9999401831	1	CAP
4		9999406277	2	CLIP
5		9999422675	9	CLIP
6		9999424686	1	CAPSCREW
7		9999424854	1	WASHER,
8		9999424876	1	LOCK WASHER
9		9999431284	1	BRKT
10		9999419654	1	SEMS-BOLT
11		9999424853	1	WASHER,
12		9999421346	1	NUT
13		9999406258	1	CLIP
14		9999408710	1	NUT

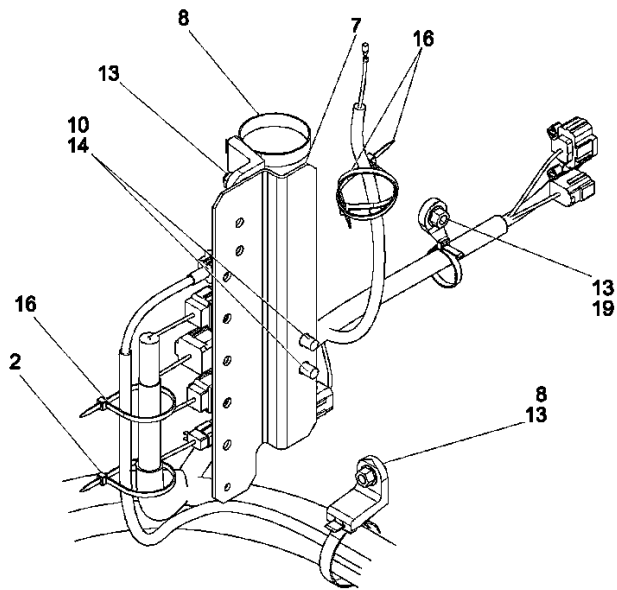
Manitowoc

Notes

Manitowoc



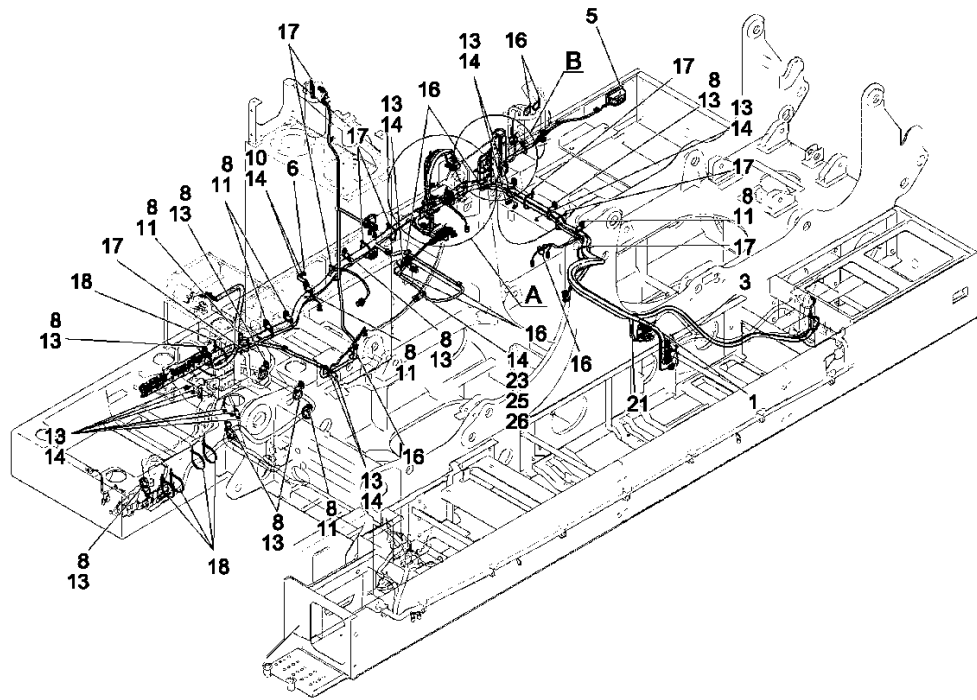
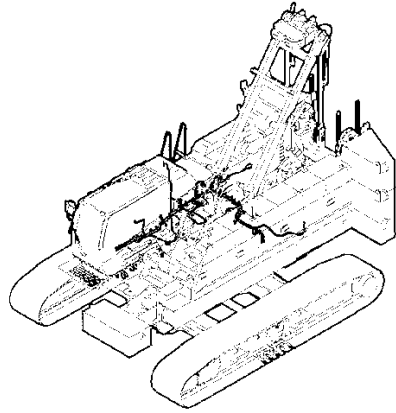
DETAIL A



DETAIL B

Manitowoc

ELEC ASSY, UPP
R.H. DECK



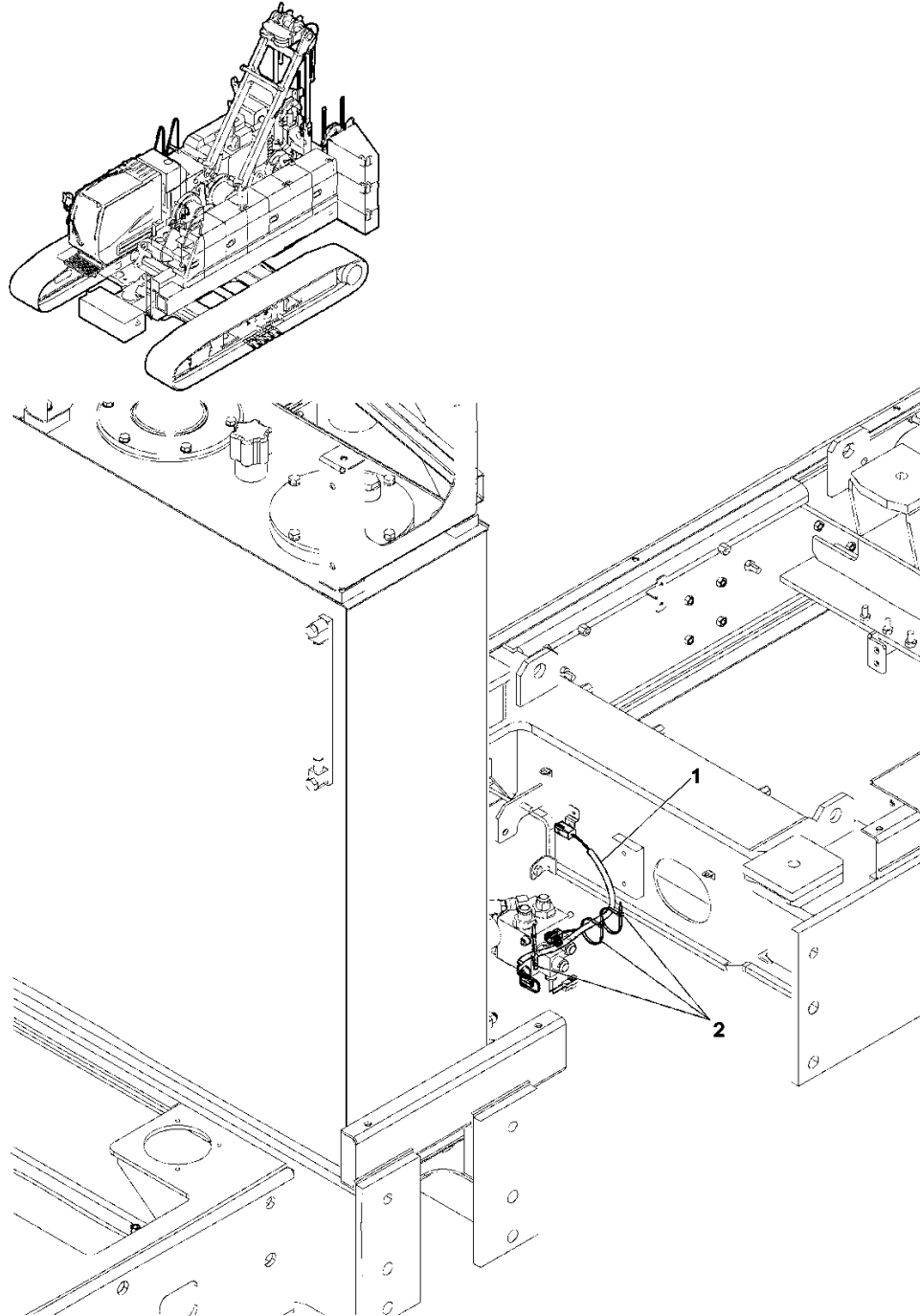
Manitowoc

Description
ELEC ASSY, UPP RH DECK

Assembly No.
9999430826
Revision:

Item	FN	Part	Qty	Description
1		9999431380	1	HARNESS
2		9999431372	1	HARNESS
3		9999431379	1	CABLE
4		9999431366	1	CABLE
5		9999425256	1	LAMP, FLASHER
6		9999431274	1	BRKT
7		9999431282	1	BRKT
8		9999427939	15	CLIP
9		9999401832	1	CAP
10		9999424510	6	SEMS-BOLT
11		9999424522	7	SEMS-BOLT
12		9999424565	1	NUT
13		9999408711	22	NUT
14		9999424855	20	WASHER,
15		9999406277	4	CLIP
16		9999422675	19	CLIP
17		9999406278	10	CLIP
18		9999406275	5	CLIP
19		9999427940	2	CLIP
20		9999406555	2	CLIP
21		9999431376	1	CABLE
22		9999401830	1	CAP
23		9999431285	1	BRKT
24		9999406262	1	CLIP
25		9999424693	2	BOLT
26		9999424877	2	LOCK WASHER

ELEC ASSY, UPP
HYD. HEATING CIRCUIT



Manitowoc

Description
ELEC ASSY, UPP HYD HEATING CIRCUIT

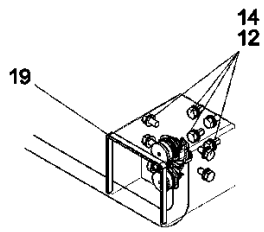
Assembly No.
9999431067
Revision:

Item	FN	Part	Qty	Description
1		9999432038	1	HARNESS
2		9999422675	3	CLIP

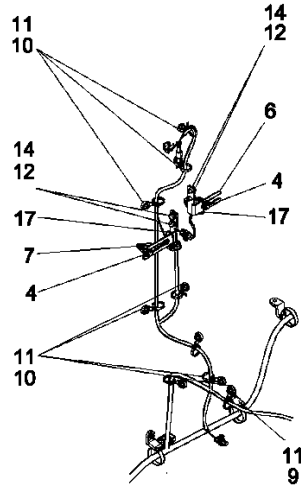
Manitowoc

Notes

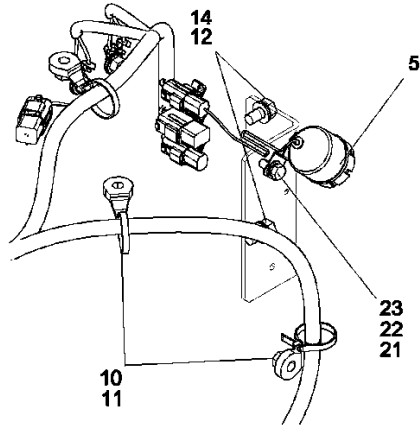
Manitowoc



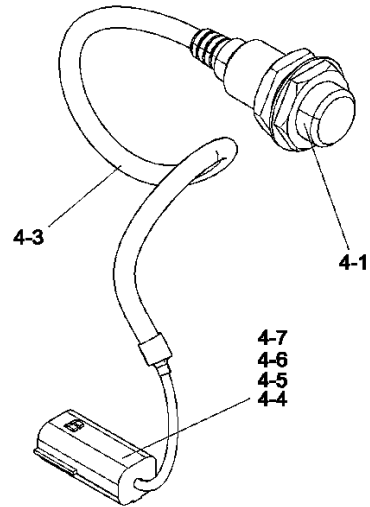
DETAIL A



DETAIL B



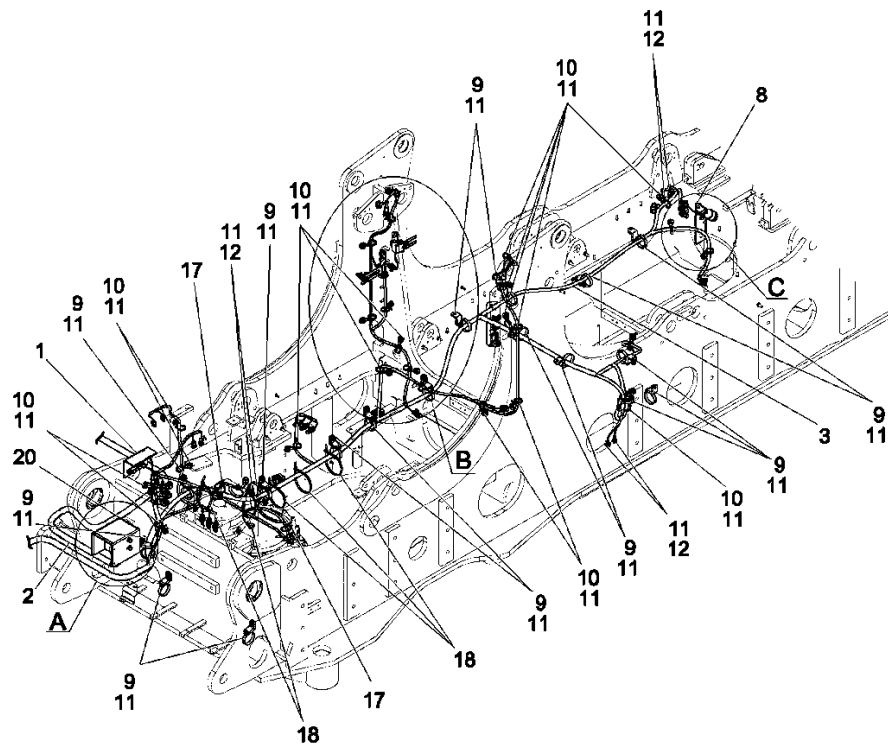
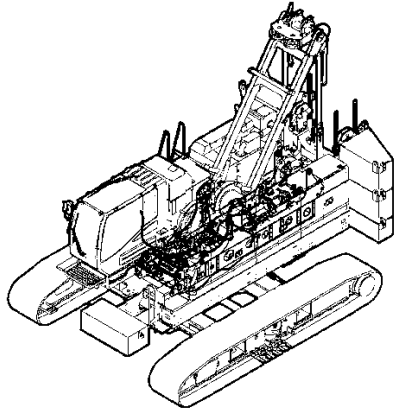
DETAIL C



DETAIL ITEM 4

Manitowoc

ELEC ASSY, UPP
SWING FRAME



Manitowoc

Description
ELEC ASSY, UPP SWING FRAME

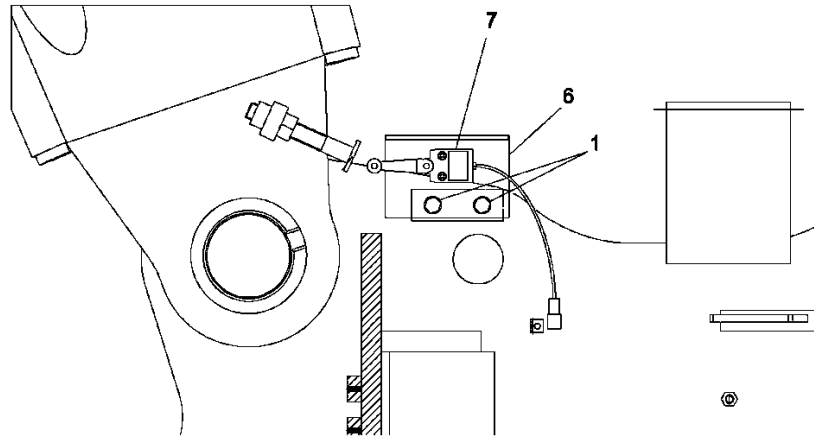
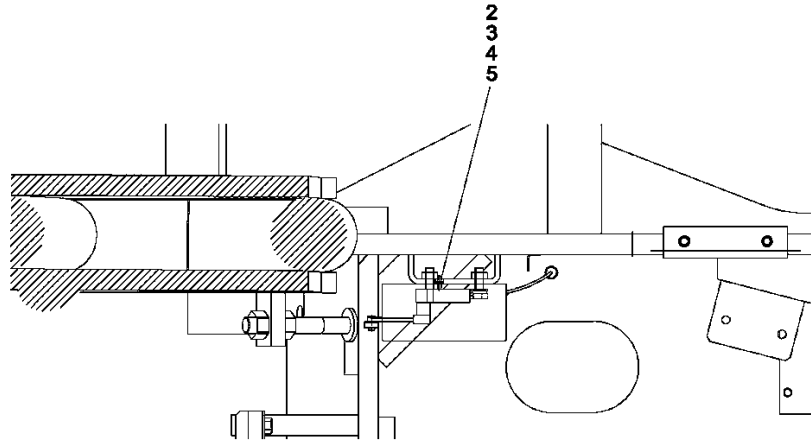
Assembly No.
9999430830
 Revision:

Item	FN	Part	Qty	Description
1	+	9999430973	1	SWITCH INSTAL, LIMIT BOOM OVER HOIST PREVENTING
2	+	9999430913	1	JUNCTION BOX ASSY
3		9999431381	1	HARNESS
4		9999432093	2	SENSOR
4-1		9999432094	1	SENSOR
4-3		9999432095	1	TUBE
4-4		9999406224	1	CONNECTOR
4-5		9999425294	2	TERMINAL
4-6		9999406232	1	HOLDER
4-7		9999406231	2	SEAL
5		9999407351	1	BUZZER
6		9999431277	1	BRKT
7		9999431279	1	BRKT
8		9999431275	1	BRKT
9		9999427939	17	CLIP
10		9999427940	25	CLIP
11		9999408711	48	NUT
12		9999424855	20	WASHER,
14		9999424510	14	SEMS-BOLT
17		9999406274	6	CLIP
18		9999406275	5	CLIP
19		9999431104	1	TRIM
20		9999431620	1	COVER
21		9999432227	1	CAPSCR
22		9999424854	1	WASHER,
23		9999424866	1	LOCK WASHER

+ SEE FURTHER BREAKDOWN THIS GROUP

Manitowoc

SWITCH INSTAL. LIMIT BOOM OVER HOIST PREVENTING



Manitowoc

Description

SWITCH INSTAL, LIMIT BOOM OVER HOIST PREVENTING

Assembly No.

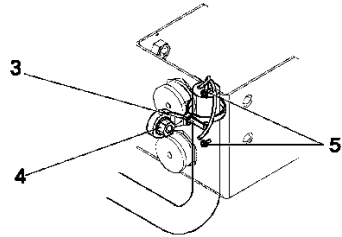
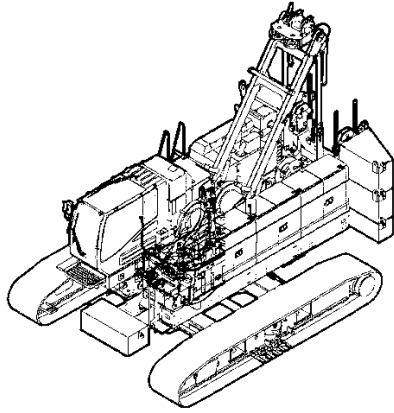
9999430973

Revision:

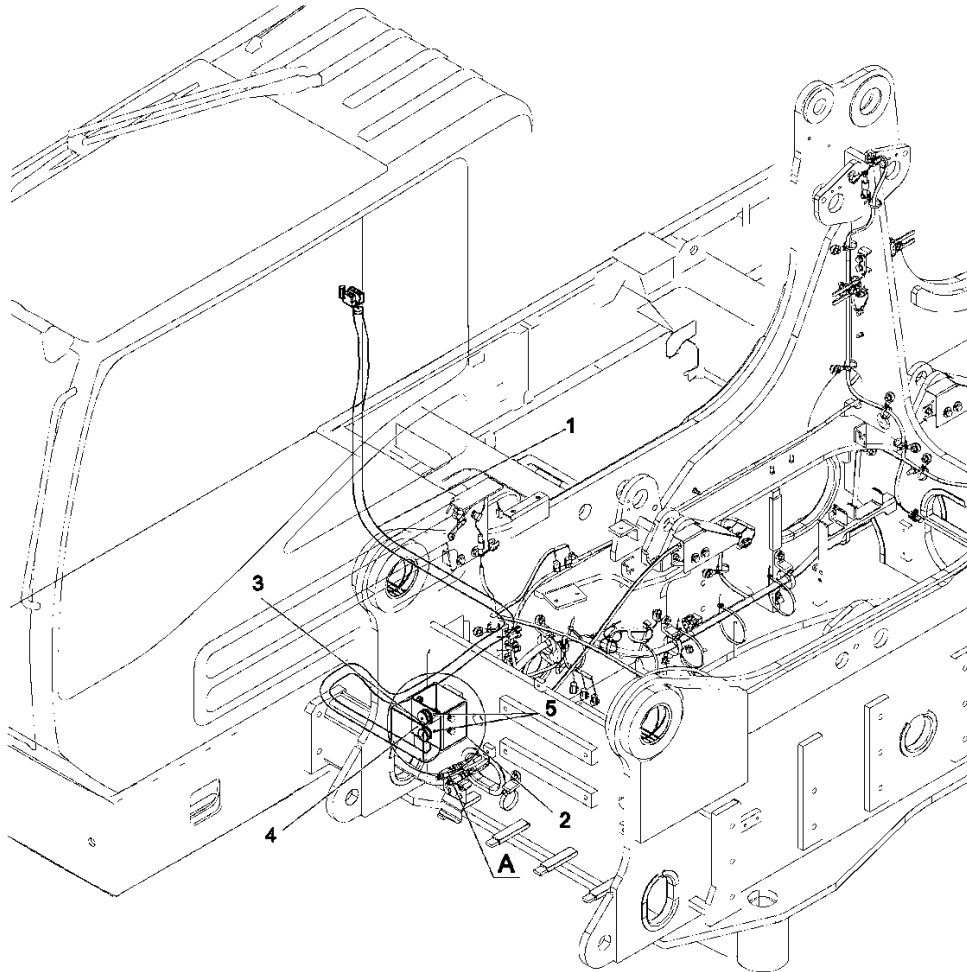
Item	FN	Part	Qty	Description
1		9999424523	2	SEMS-BOLT
2		9999424564	2	NUT
3		9999424849	2	WASHER,
4		9999424874	2	LOCK WASHER
5		9999408766	2	CAPSCREW
6		9999431858	1	BRKT
7		9999421468	1	SWITCH, LIMIT

Manitowoc

JUNCTION BOX ASSY



DETAIL A



Manitowoc

Description
JUNCTION BOX ASSY

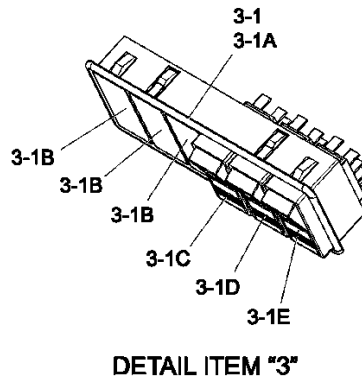
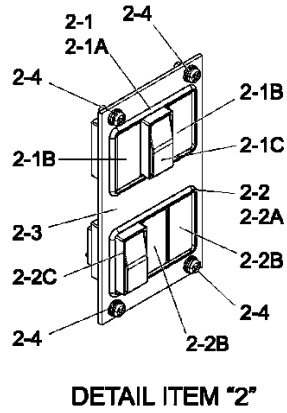
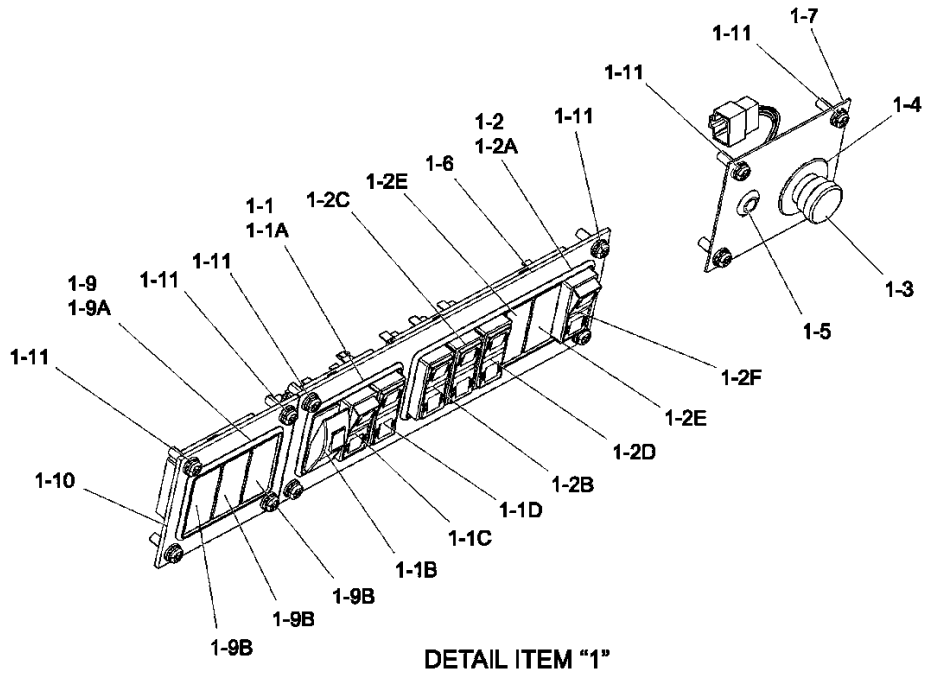
Assembly No.
9999430913
Revision:

Item	FN	Part	Qty	Description
1		9999431385	1	HARNESS
2		9999431621	1	BRKT
3		9999427940	1	CLIP
4		9999408711	1	NUT
5		9999432197	2	SEMS-BOLT

Manitowoc

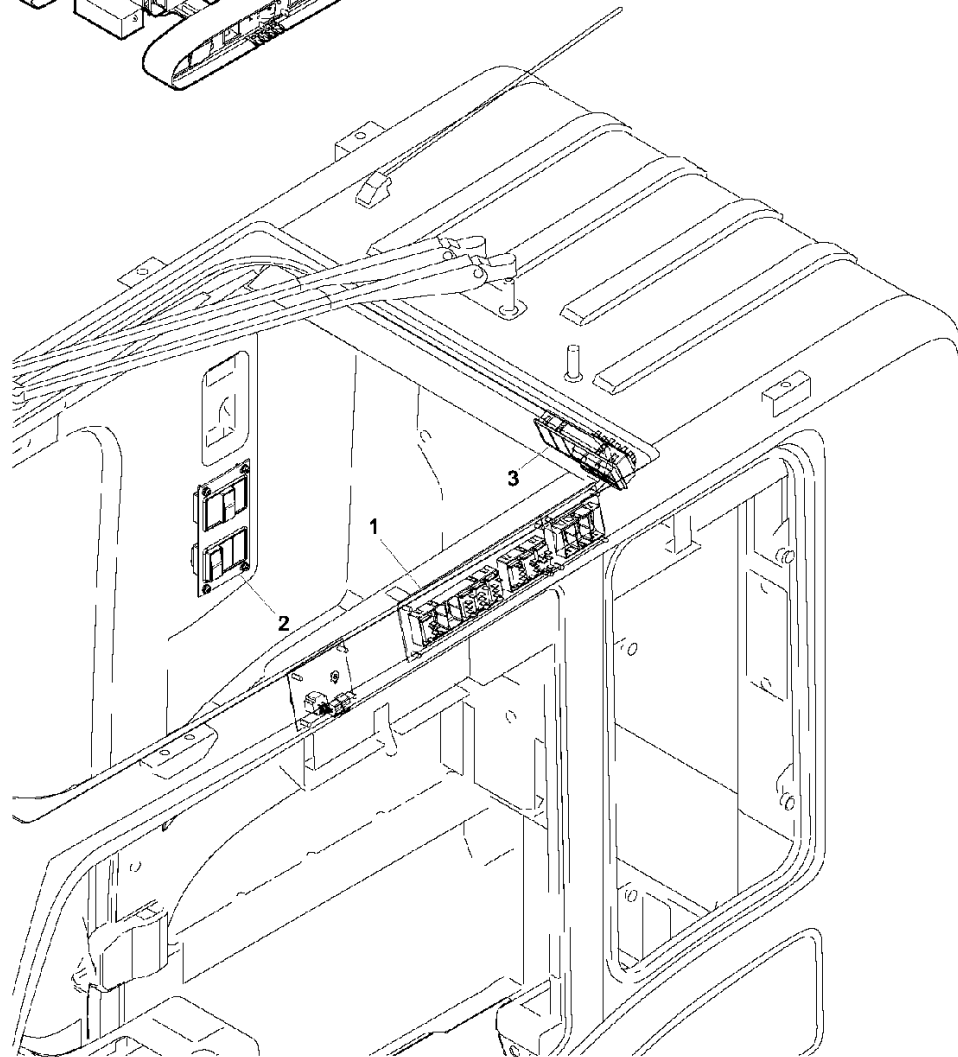
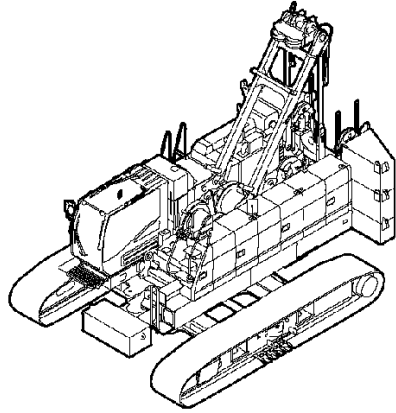
Notes

Manitowoc



Manitowoc

SWITCH INSTAL
UPPER IN CAB (RIGHT & LEFT, REAR)



Manitowoc

Description

SWITCH INSTAL UPPER IN CAB RH & LH, RR

Assembly No.

9999430962

Revision:

Item	FN	Part	Qty	Description
1		9999431797	1	SWITCH INSTAL
1-1		9999431788	1	SWITCH ASSY
1-1A		9999431803	1	BOX, SWITCH
1-1B		9999431840	1	SWITCH
1-1C		9999431841	1	SWITCH
1-1D		9999431842	1	SWITCH
1-2		9999431789	1	SWITCH ASSY
1-2A		9999431801	1	BOX, SWITCH
1-2B		9999431836	1	SWITCH
1-2C		9999431837	1	SWITCH
1-2D		9999431838	1	SWITCH
1-2E		9999431802	2	PLATE
1-2F		9999431839	1	SWITCH
1-3		9999428082	1	SWITCH
1-4		9999428022	1	NAME PLATE
1-5		9999422273	1	GROMMET
1-6		9999431806	1	PLATE
1-7		9999431807	1	PLATE
1-9		9999431790	1	SWITCH ASSY
1-9A		9999431803	1	BOX, SWITCH
1-9B		9999431802	3	PLATE
1-10		9999431808	1	PLATE
1-11		9999424538	12	SEMS-BOLT
2		9999431795	1	SWITCH INSTAL
2-1		9999432033	1	SWITCH ASSY
2-1A		9999431803	1	BOX, SWITCH
2-1B		9999431802	2	PLATE
2-1C		9999431851	1	SWITCH
2-2		9999431792	1	SWITCH ASSY
2-2A		9999431803	1	BOX, SWITCH
2-2B		9999431802	2	PLATE
2-2C		9999431852	1	SWITCH
2-3		9999431804	1	PLATE
2-4		9999424537	4	SEMS-BOLT

Manitowoc

Description

SWITCH INSTAL UPPER IN CAB RH & LH, RR

Assembly No.

9999430962

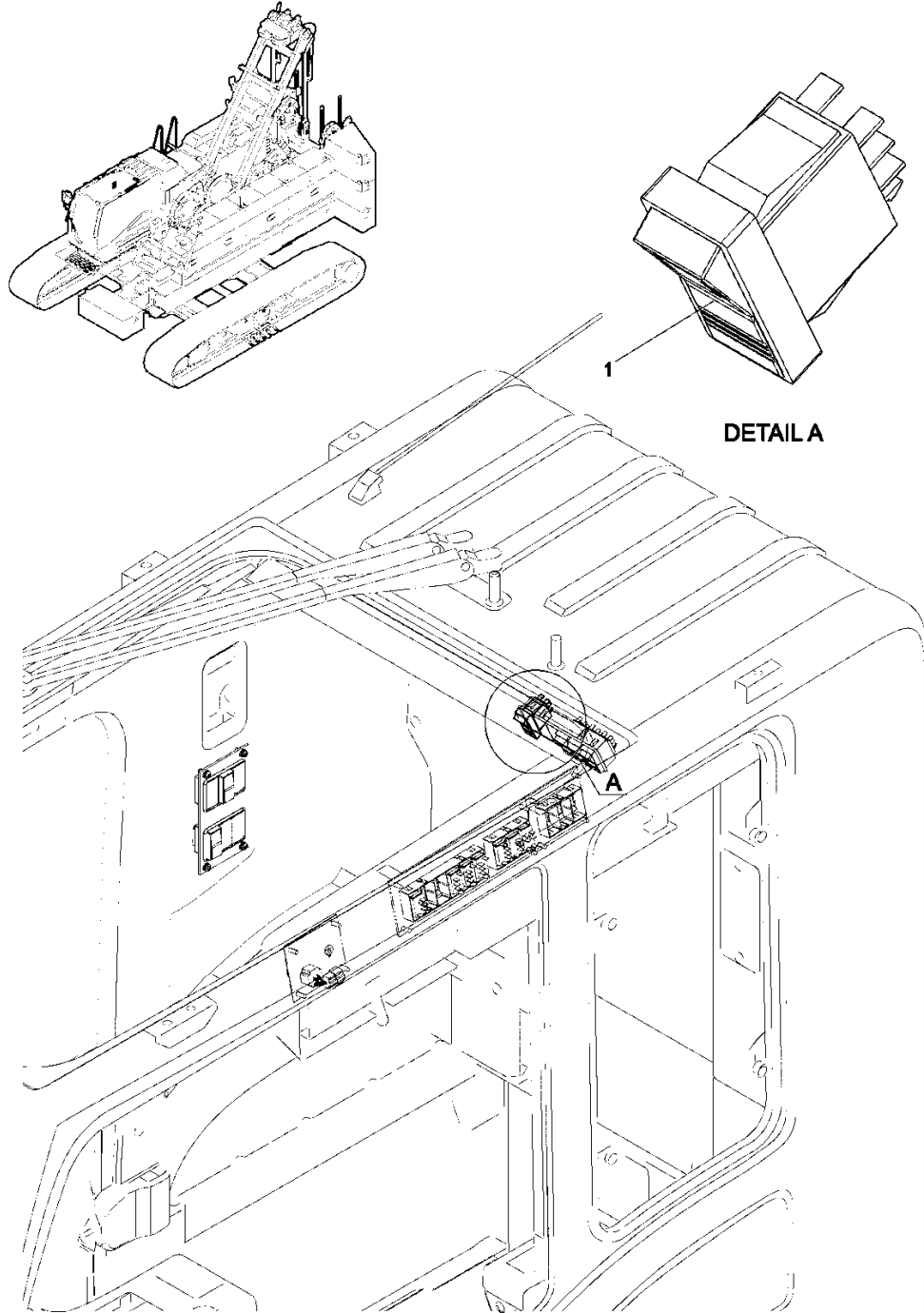
Revision:

Item	FN	Part	Qty	Description
3		9999431798	1	SWITCH INSTAL
3-1		9999431791	1	SWITCH ASSY
3-1A		9999431801	1	BOX, SWITCH
3-1B		9999431802	3	PLATE
3-1C		9999431843	1	SWITCH
3-1D		9999431844	1	SWITCH
3-1E		9999431845	1	SWITCH

Manitowoc

Notes

SWITCH INSTAL DRUM TURN SENSOR (REAR SIDE) / STD.



Manitowoc

Description

SWITCH INSTAL DRUM TURN SENSOR RR SIDE / STD

Assembly No.

9999430956

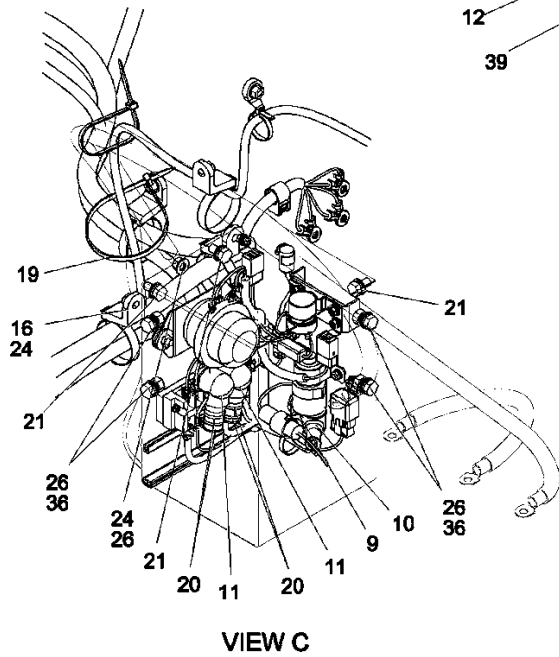
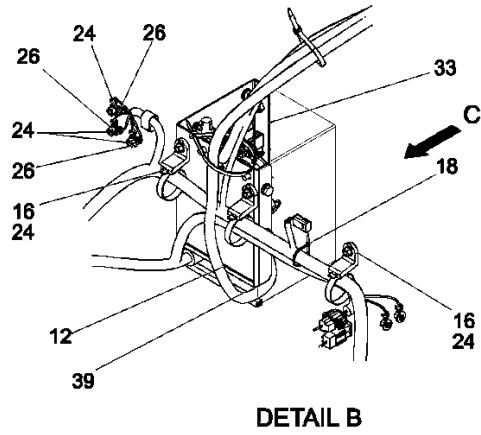
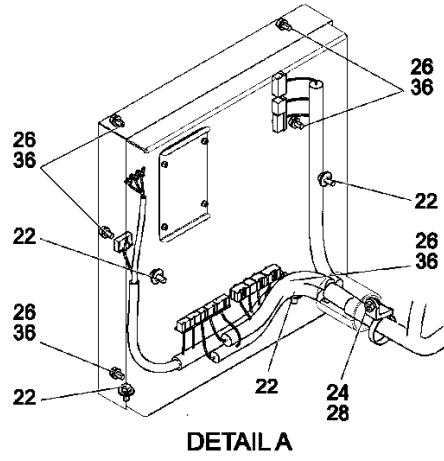
Revision:

Item	FN	Part	Qty	Description
1		9999431833	1	SWITCH

Manitowoc

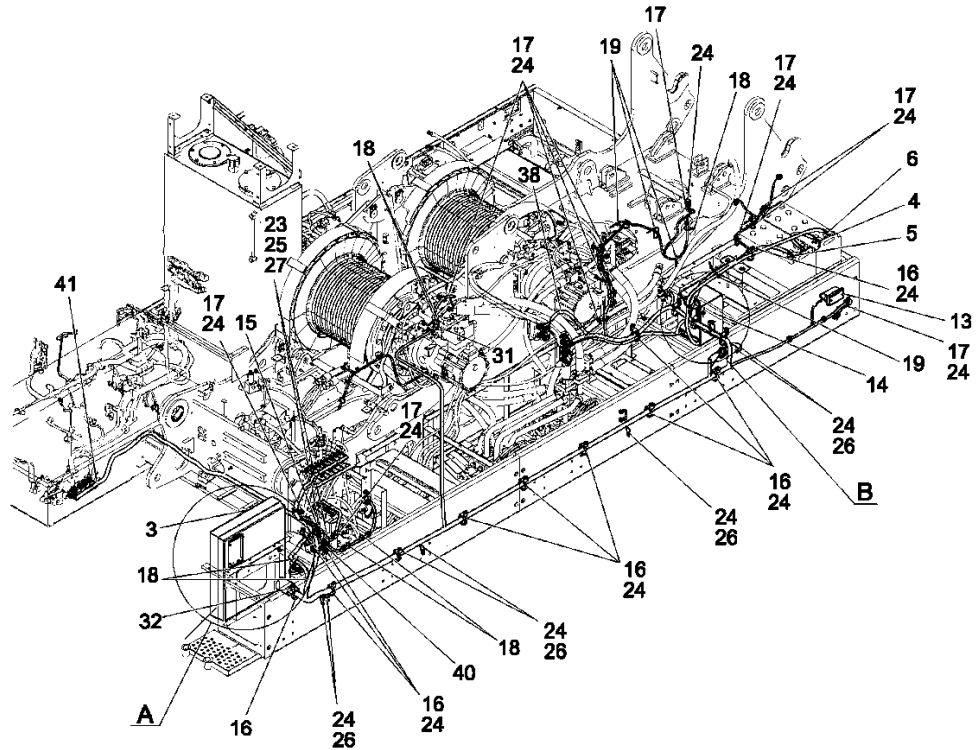
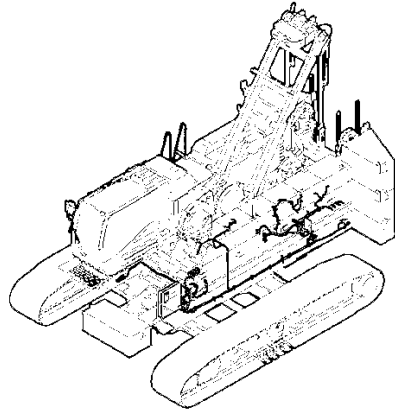
Notes

Manitowoc



Manitowoc

ELEC ASSY, UPP
L.H. DECK



Manitowoc

Description
ELEC ASSY, UPP LH DECK

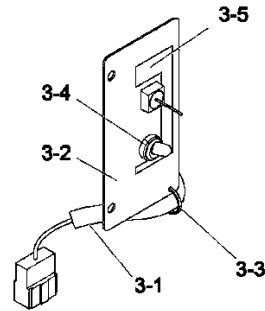
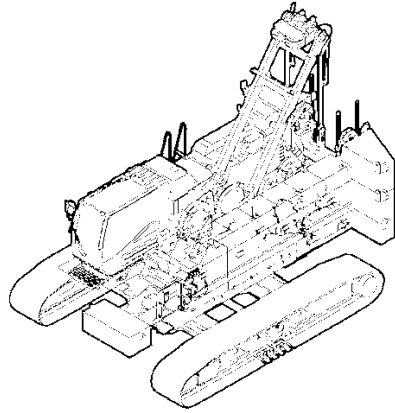
Assembly No.
9999430828
Revision:

Item	FN	Part	Qty	Description
3		9999431570	1	COVER
4		9999431367	1	HARNESS
5		9999431368	1	HARNESS
6		9999431369	1	HARNESS
9		9999401830	1	CAP
10		9999401831	1	CAP
11		9999401832	2	CAP
12		9999431103	1	TRIM
13		9999425256	1	LAMP, FLASHER
14		9999431273	1	COVER
15		9999421228	1	HORN
16		9999427939	15	CLIP
17		9999427940	11	CLIP
18		9999406273	8	CLIP
19		9999406275	5	CLIP
20		9999406277	4	CLIP
21		9999424521	3	SEMS-BOLT
22		9999424526	4	SEMS-BOLT
23		9999424550	2	NUT
24		9999408711	36	NUT
25		9999424853	2	WASHER,
26		9999424855	20	WASHER,
27		9999424875	2	LOCK WASHER
28		9999424553	1	NUT
31		9999431280	1	RUBBER
32	+	9999430902	1	CNTRL BOX ASSY
33	+	9999430912	1	RELAY BOX ASSY
36		9999424510	10	SEMS-BOLT
38		9999431384	1	HARNESS
39		9999422432	1	RUBBER
40		9999431145	1	HORN
41		9999431388	1	HARNESS

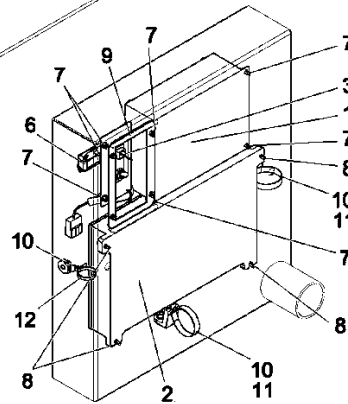
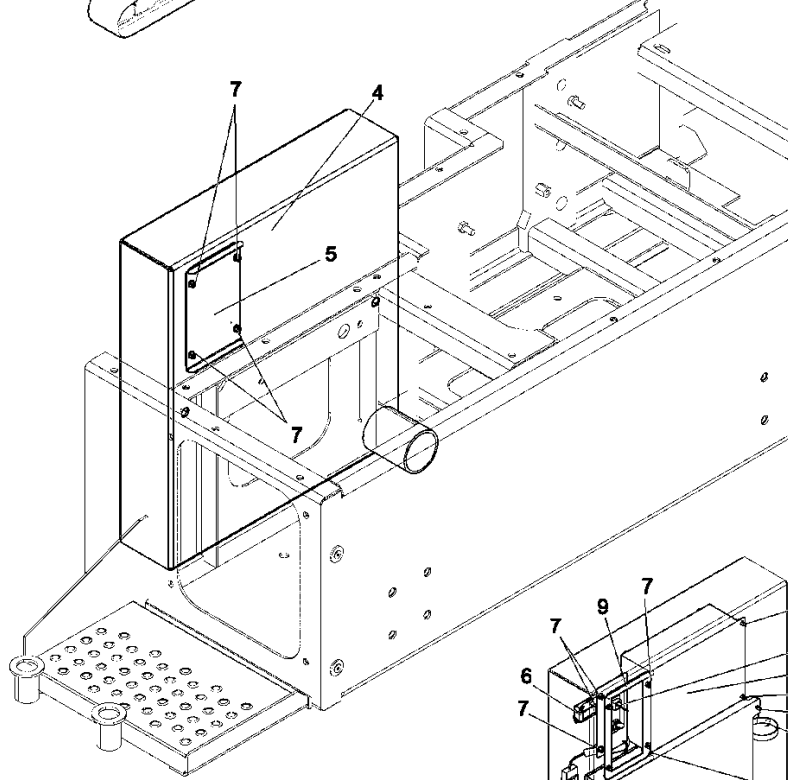
+ SEE FURTHER BREAKDOWN THIS GROUP

Manitowoc

CONTROL BOX ASSY



DETAIL ITEM 3



DETAIL OF INSIDE

Manitowoc

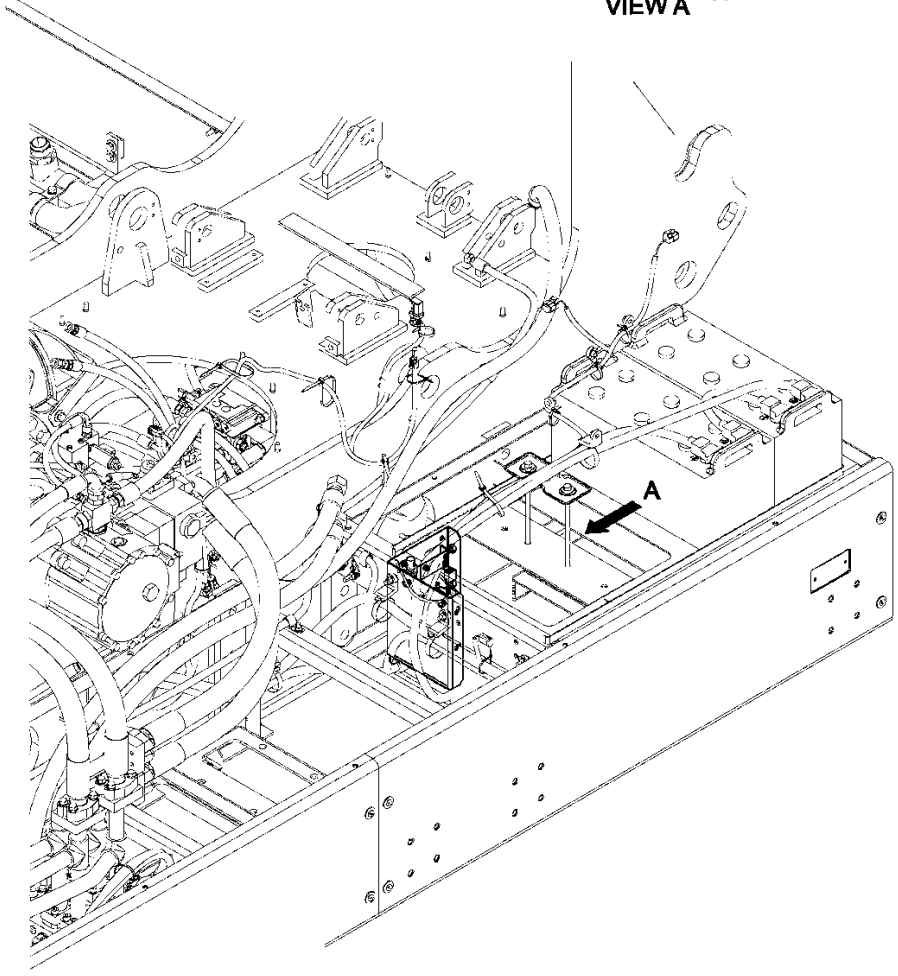
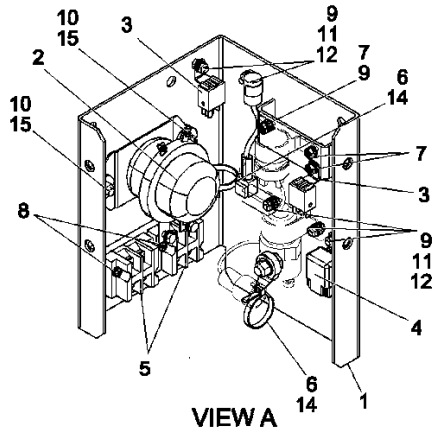
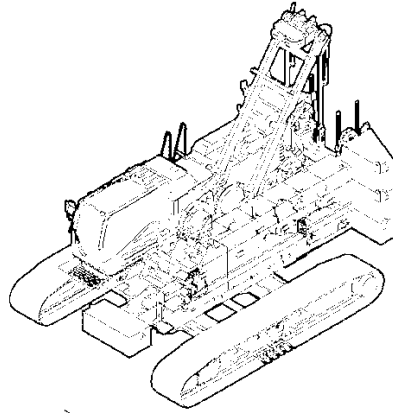
Description
CNTRL BOX ASSY

Assembly No.
9999430902
 Revision:

Item	FN	Part	Qty	Description
1		9999431615	1	RELAY BOX ASSY
2		9999431153	1	CNTRLLER ASSY
3		9999431796	1	SWITCH ASSY
3-1		9999431857	1	SWITCH
3-2		9999431276	1	PANEL
3-3		9999406272	1	CLIP
3-4		9999405771	1	CAP
3-5		9999431460	1	LABEL
4		9999431572	1	CASE
5		9999431574	1	PLATE
6		9999421446	1	RELAY
7		9999424540	11	SEMS-BOLT
8		9999432203	4	SEMS-BOLT
9		9999431573	1	RUBBER
10		9999408711	3	NUT
11		9999427939	2	CLIP
12		9999427940	1	CLIP

Manitowoc

RELAY BOX ASSY



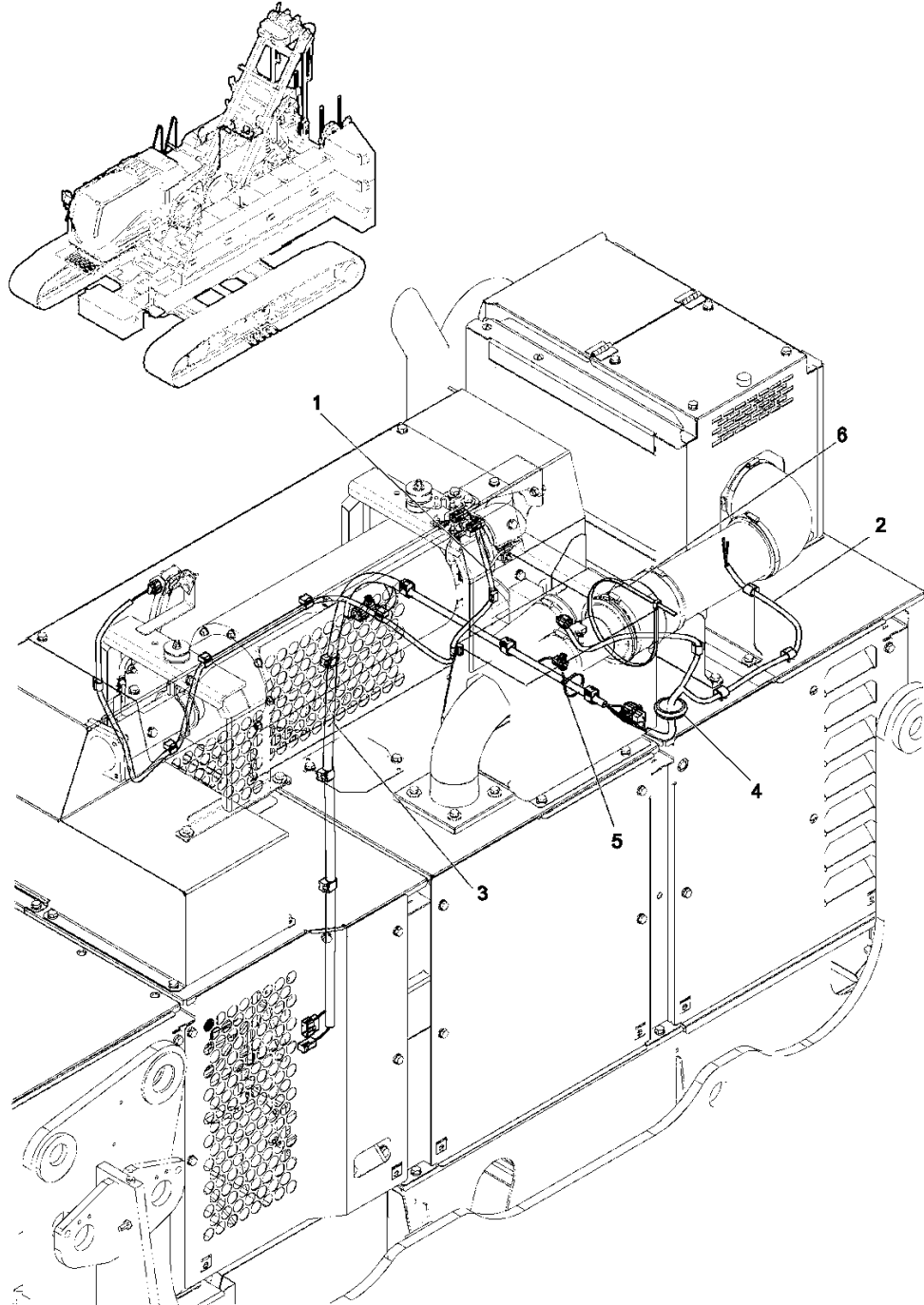
Manitowoc

Description
RELAY BOX ASSY

Assembly No.
9999430912
Revision:

Item	FN	Part	Qty	Description
1		9999431618	1	PANEL
2		9999406312	1	RELAY, BATTERY
3		9999431163	2	RELAY
4		9999406311	1	RELAY
5		9999431148	2	TERMINAL
6		9999427940	2	CLIP
7		9999424540	3	SEMS-BOLT
8		9999432198	4	SEMS-BOLT
9		9999424853	10	WASHER,
10		9999422198	4	WASHER,
11		9999424865	5	LOCK WASHER
12		9999424549	5	NUT
14		9999408711	2	NUT
15		9999424552	2	NUT

ELEC ASSY, UPP GUARD



Manitowoc

Description

ELEC ASSY, UPP GUARD

Assembly No.

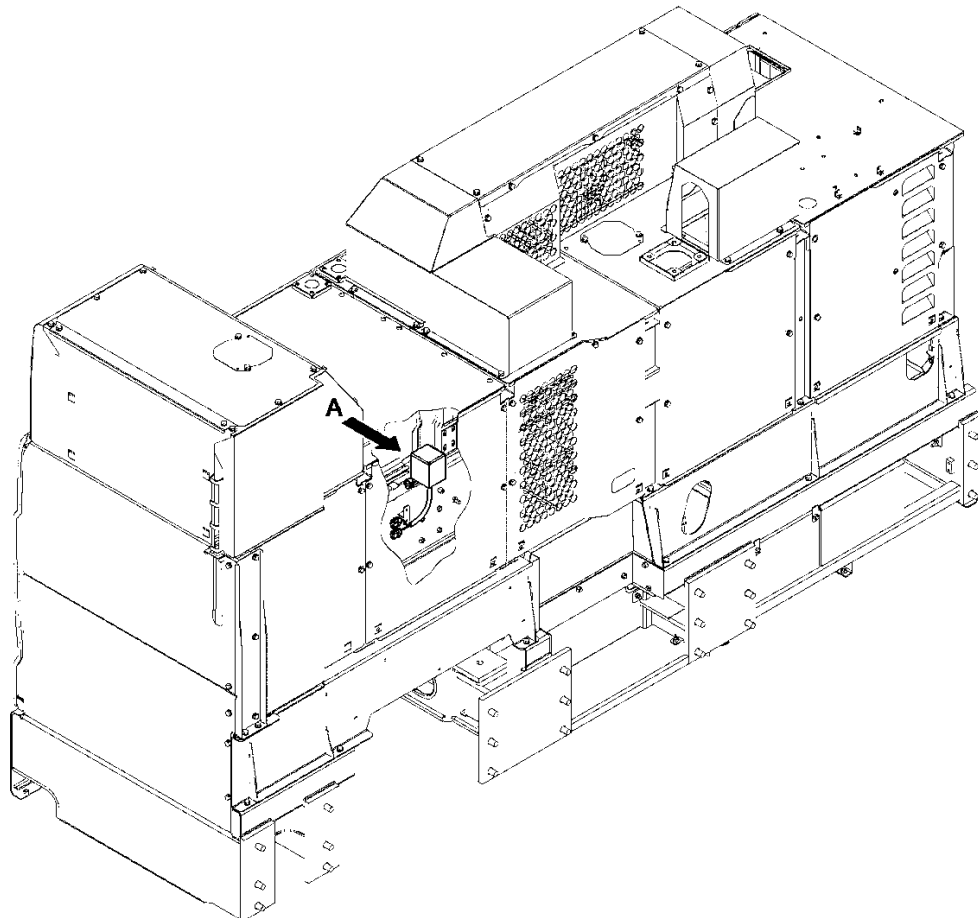
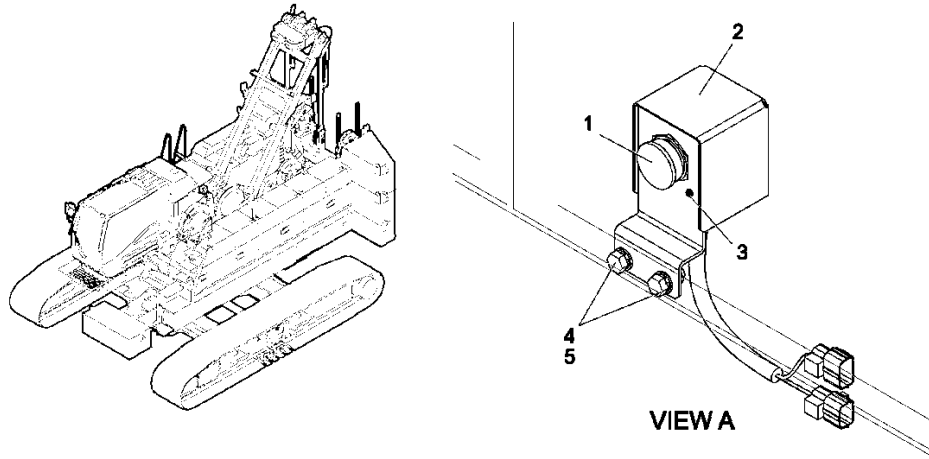
9999430827

Revision:

Item	FN	Part	Qty	Description
1		9999431375	1	HARNESS
2		9999431365	1	HARNESS
3		9999431373	1	HARNESS
4		9999432127	1	GROMMET
5		9999422675	1	CLIP
6		9999425222	1	CLIP

Manitowoc

ELEC ASSY, UPP
C/W REMOVABLE



Manitowoc

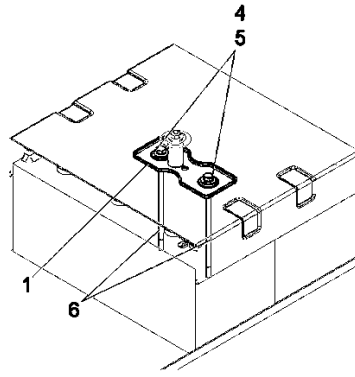
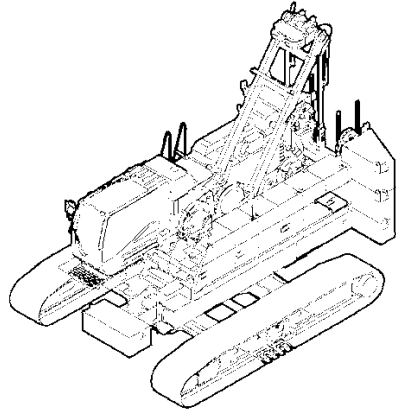
Description
ELEC ASSY, UPP CWT REMOVABLE

Assembly No.
9999430831
Revision:

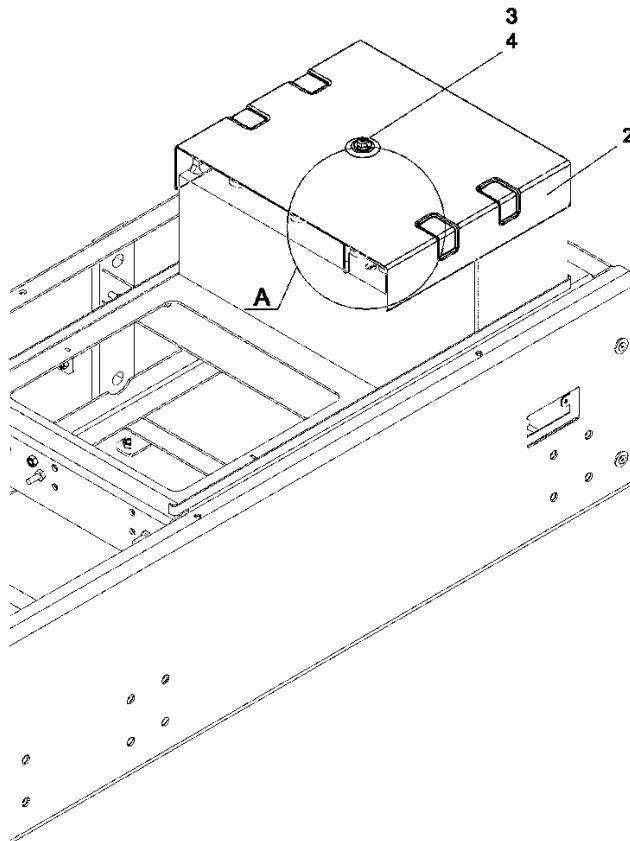
Item	FN	Part	Qty	Description
1		9999431382	1	HARNESS
2		9999431283	1	BRKT
3		9999432199	1	SEMS-BOLT
4		9999424511	2	SEMS-BOLT
5		9999424855	2	WASHER,

Manitowoc

BATTERY INSTAL



DETAIL A



Manitowoc

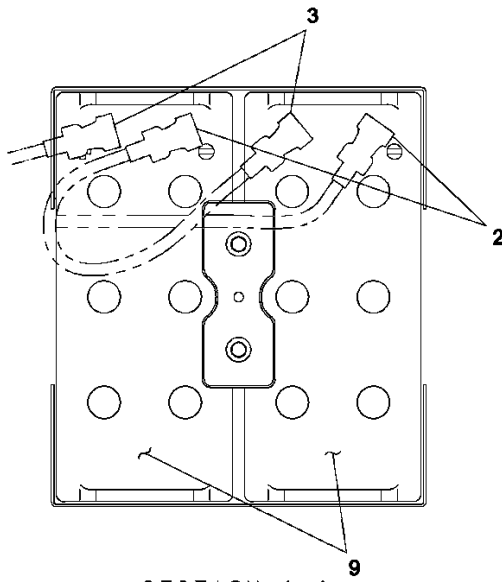
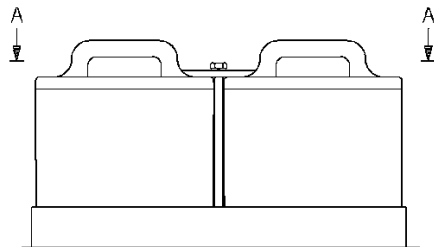
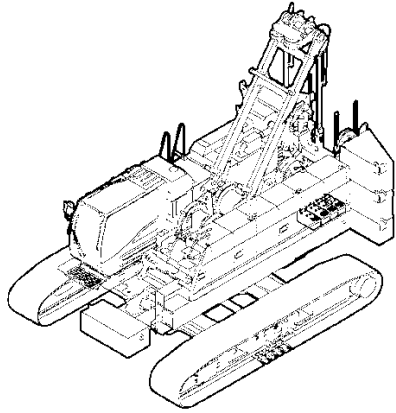
Description
BATTERY INSTAL

Assembly No.
9999431057
Revision:

Item	FN	Part	Qty	Description
1		9999432024	1	PLATE
2		9999432025	1	COVER
3		9999424567	1	NUT
4		9999422194	3	WASHER,
5		9999424877	2	LOCK WASHER
6		9999422292	2	BOLT

Manitowoc

BATTERY INSTAL



SECTION A-A

Manitowoc

Description

BATTERY ASSY (STD. 150AH)

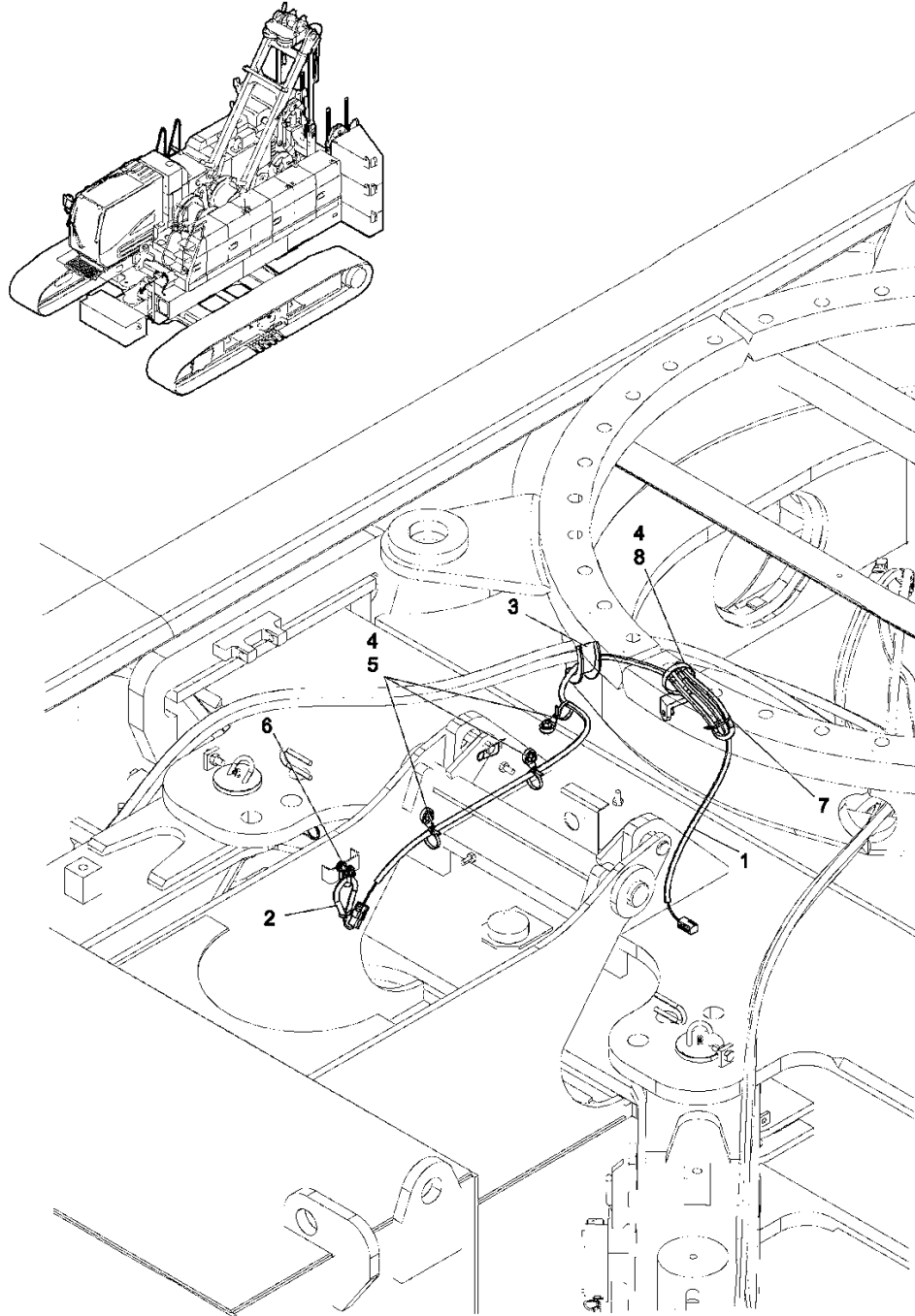
Assembly No.

9999423800

Revision:

Item	FN	Part	Qty	Description
2		9999405896	2	COVER
3		9999405897	2	COVER
9		9999424269	2	BATTERY

SENSOR INSTAL CARBODY WEIGHT DETECTOR / OPT.



Manitowoc

Description

SENSOR INSTAL CARBODY WEIGHT DETECTOR

Assembly No.

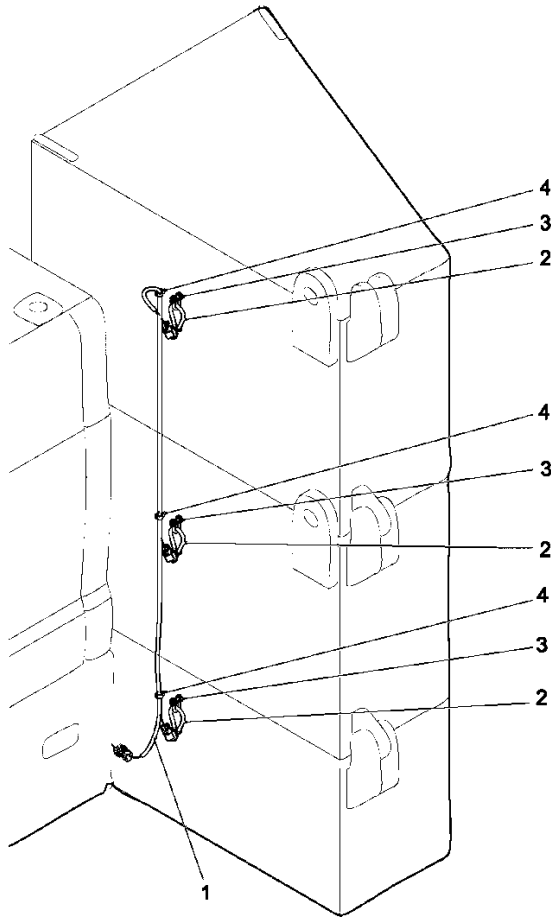
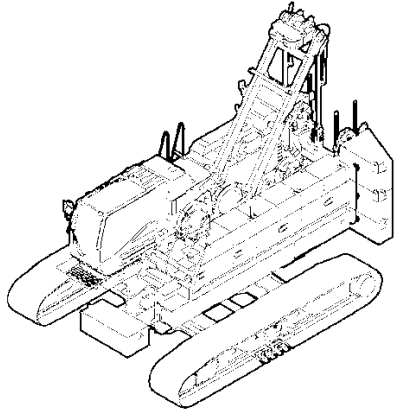
9999430977

Revision:

Item	FN	Part	Qty	Description
1		9999431374	1	HARNESS
2		9999431371	1	HARNESS
3		9999432109	1	RUBBER
4		9999408711	4	NUT
5		9999427940	3	CLIP
6		9999431095	1	SHACKLE
7		9999406273	1	CLIP
8		9999427939	1	CLIP

Manitowoc

SENSOR INSTAL
COUNTERWEIGHT DETECTOR / 3-C/W / OPT.



Manitowoc

Description

SENSOR INSTAL CWT DETECTOR 3-CWT

Assembly No.

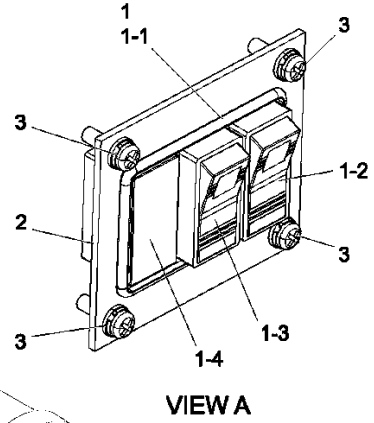
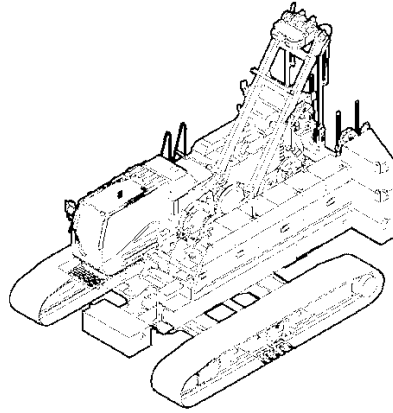
9999430974

Revision:

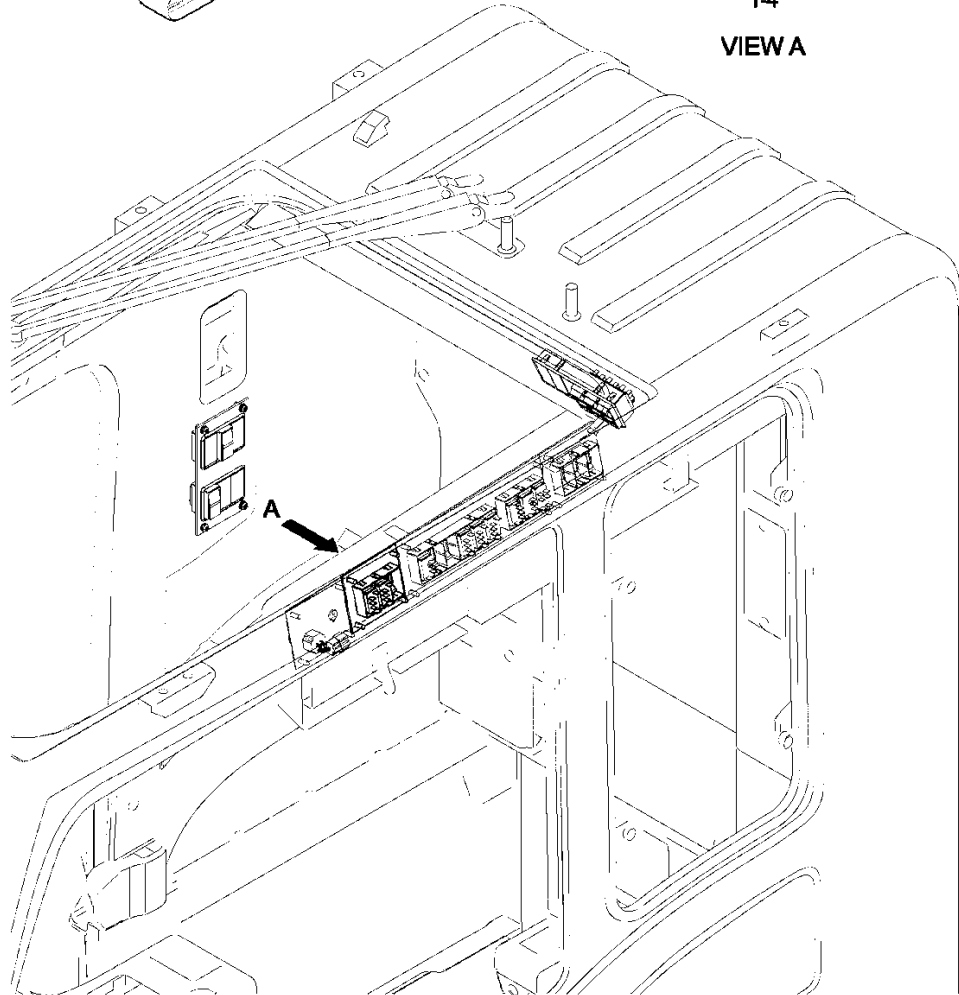
Item	FN	Part	Qty	Description
1		9999431386	1	HARNESS
2		9999431371	3	HARNESS
3		9999431095	3	SHACKLE
4		9999431286	3	CLAMP

Manitowoc

SWITCH INSTAL
FREE FALL SPEEDUP (LEFT SIDE) / WITH FREE FALL



VIEW A



Manitowoc

Description

**SWITCH INSTAL FREE FALL SPEEDUP LH SIDE
W/ FREE FALL**

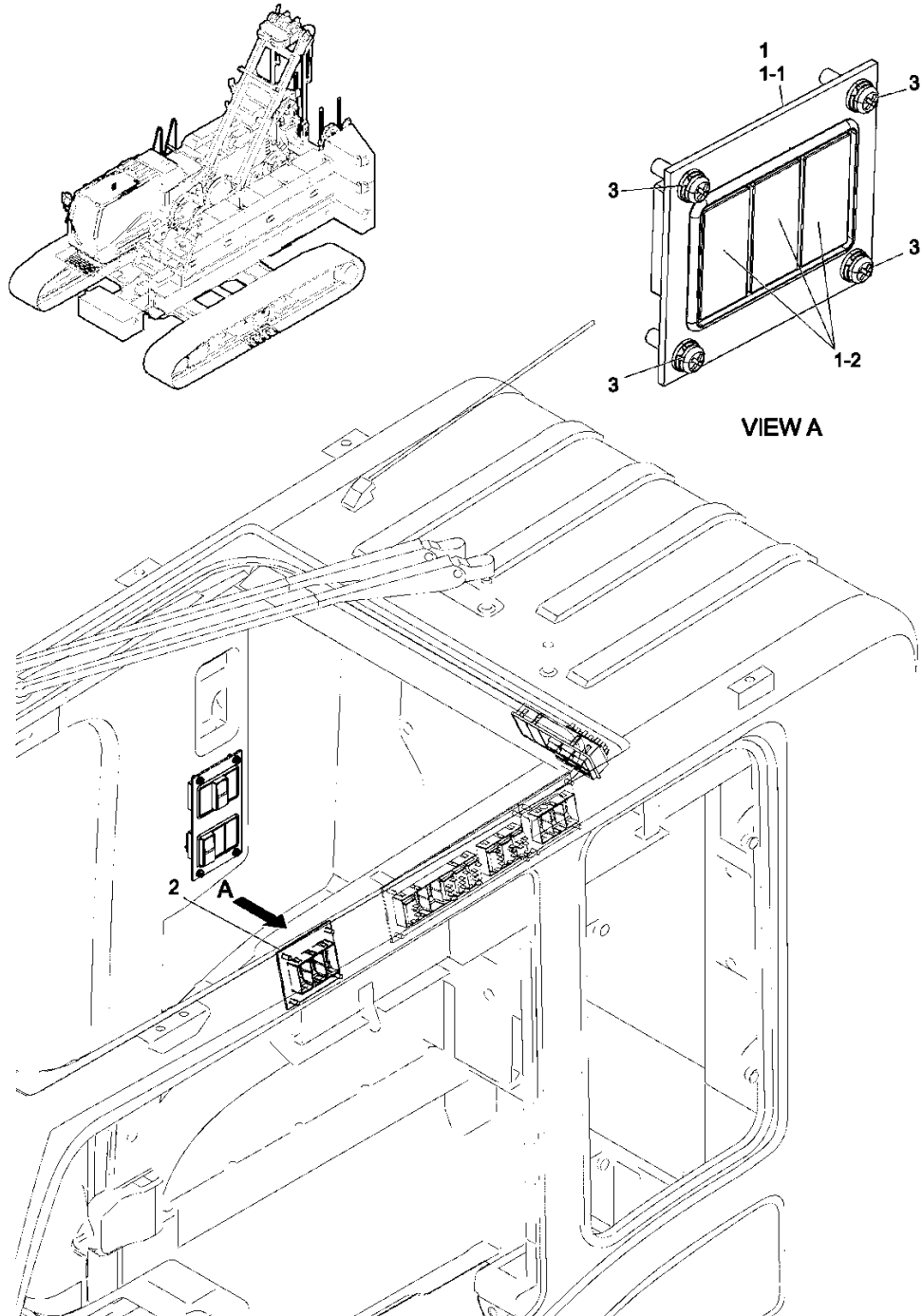
Assembly No.

9999430960

Revision:

Item	FN	Part	Qty	Description
1		9999431793	1	SWITCH ASSY
1-1		9999431803	1	BOX, SWITCH
1-2		9999431849	1	SWITCH
1-3		9999431850	1	SWITCH
1-4		9999431802	1	PLATE
2		9999431808	1	PLATE
3		9999424538	4	SEMS-BOLT

SWITCH INSTAL PLATE (LEFT SIDE) / WITHOUT FREE FALL



Manitowoc

Description

SWITCH INSTAL PLATE LH SIDE W/O FREE FALL

Assembly No.

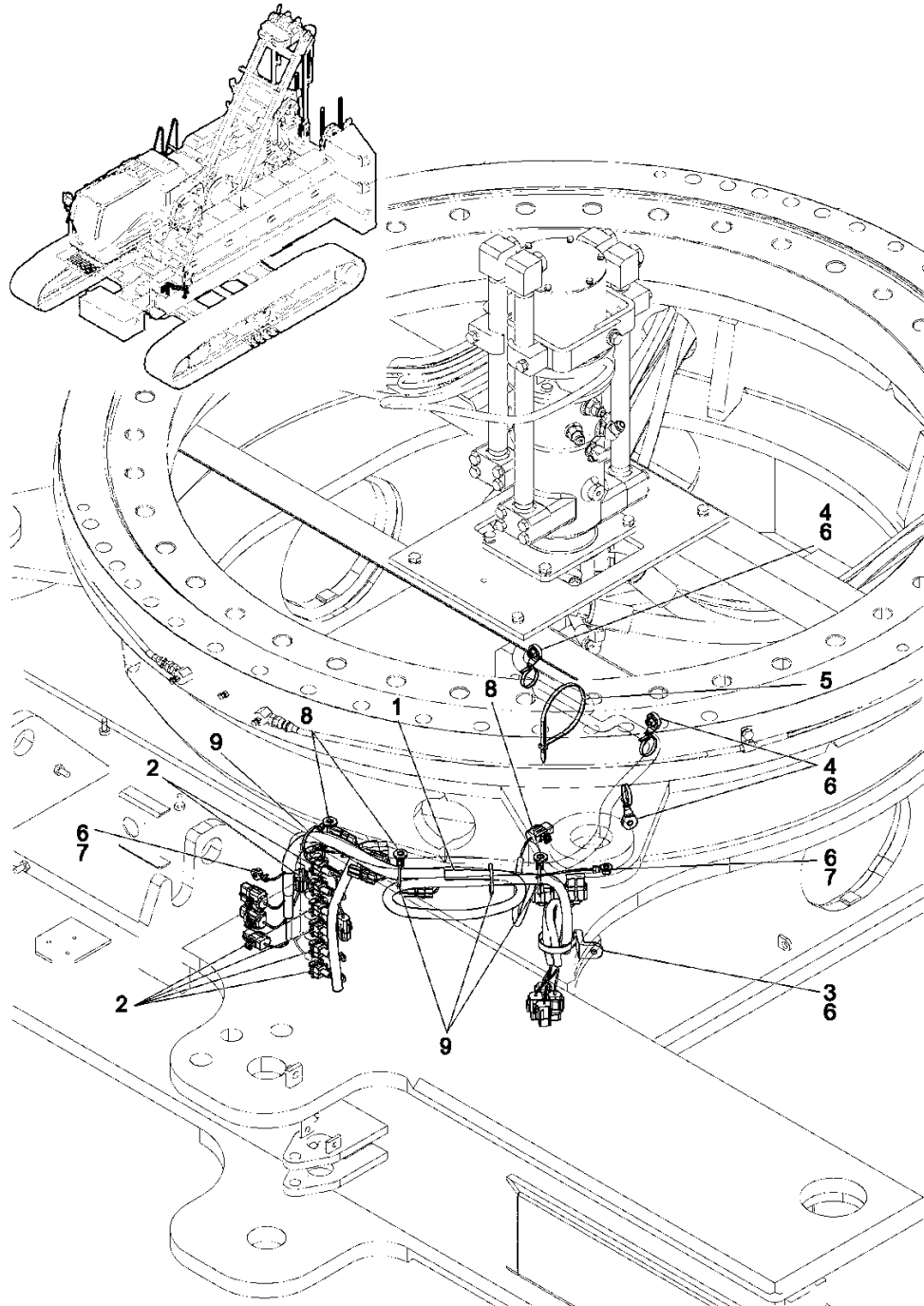
9999430961

Revision:

Item	FN	Part	Qty	Description
1		9999431790	1	SWITCH ASSY
1-1		9999431803	1	BOX, SWITCH
1-2		9999431802	3	PLATE
2		9999431808	1	PLATE
3		9999424538	4	SEMS-BOLT

Manitowoc

ELEC ASSY, LOW
LOWER



Manitowoc

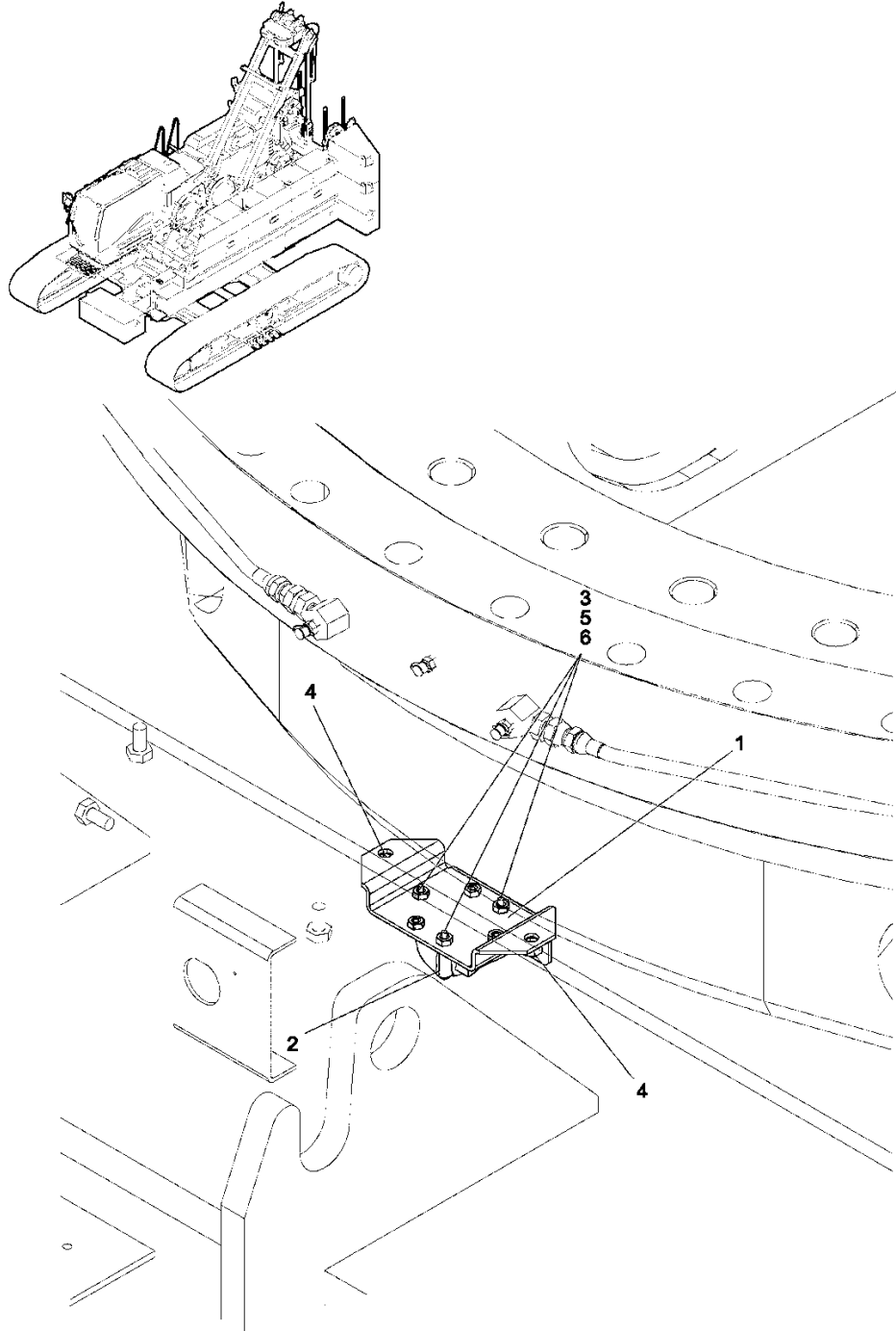
Description
ELEC ASSY, LOWER

Assembly No.
9999430819
Revision:

Item	FN	Part	Qty	Description
1		9999431354	1	HARNESS
2		9999406273	6	CLIP
3		9999427939	1	CLIP
4		9999427940	3	CLIP
5		9999406275	1	CLIP
6		9999408711	6	NUT
7		9999424855	2	WASHER,
8		9999406279	3	CLIP
9		9999406274	4	CLIP

Manitowoc

SENSOR INSTAL
BODY ANGLE SENSOR (LOWER BODY INSTAL) / OPT.



Manitowoc

Description

SENSOR INSTAL BODY ANGLE SENSOR LOWER BODY

Assembly No.

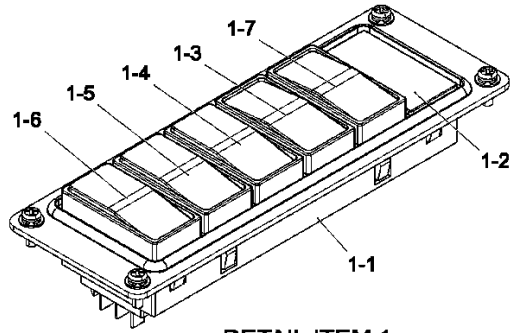
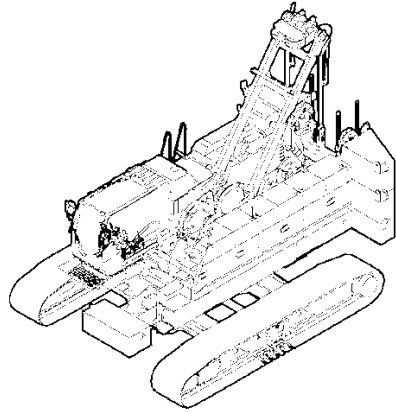
9999430975

Revision:

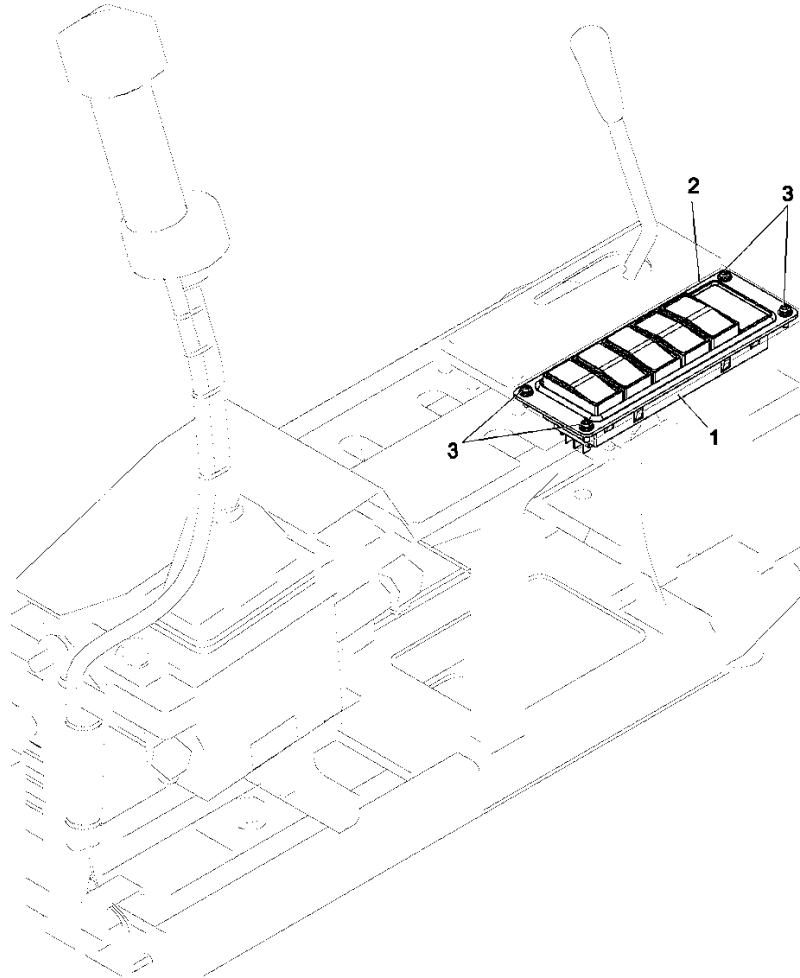
Item	FN	Part	Qty	Description
1		9999431868	1	BRKT
2		9999431869	1	SENSOR
3		9999420256	3	CAPSCREW
4		9999408711	2	NUT
5		9999424842	3	WASHER,
6		9999424873	3	LOCK WASHER

Manitowoc

SWITCH INSTAL LEFT STAND



DETAIL ITEM 1



Manitowoc

Description

SWITCH INSTAL LH STAND

Assembly No.

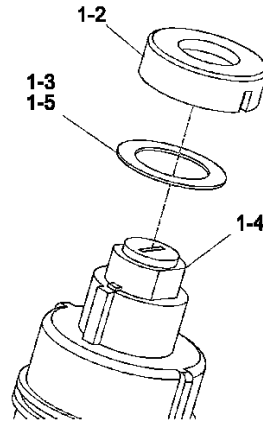
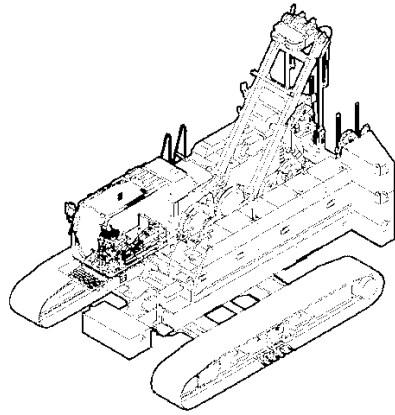
9999430959

Revision:

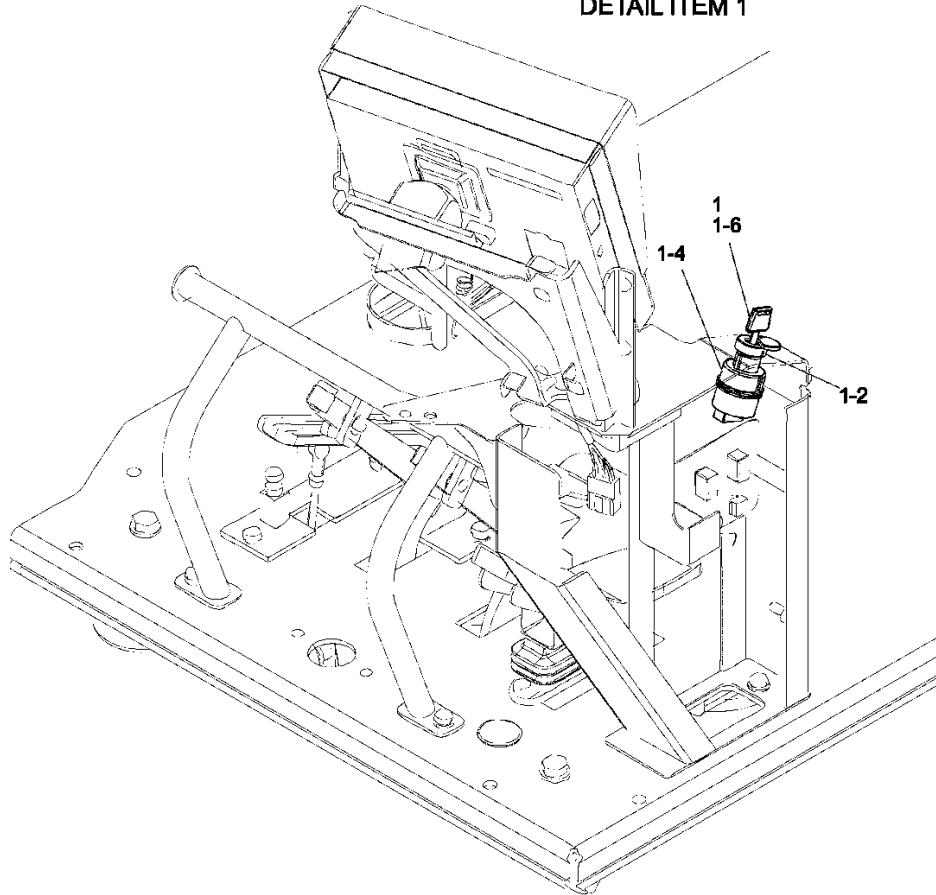
Item	FN	Part	Qty	Description
1		9999431794	1	SWITCH ASSY
1-1		9999431801	1	BOX, SWITCH
1-2		9999431802	1	PLATE
1-3		9999431856	1	SWITCH
1-4		9999431846	1	SWITCH
1-5		9999431847	1	SWITCH
1-6		9999431848	1	SWITCH
1-7		9999431855	1	SWITCH
2		9999431405	1	PLATE
3		9999424533	4	SEMS-BOLT

Manitowoc

SWITCH INSTAL ENGINE KEY / MANITOWOC



DETAIL ITEM 1



Manitowoc

Description

SWITCH INSTAL ENGINE KEY / MANITOWOC

Assembly No.

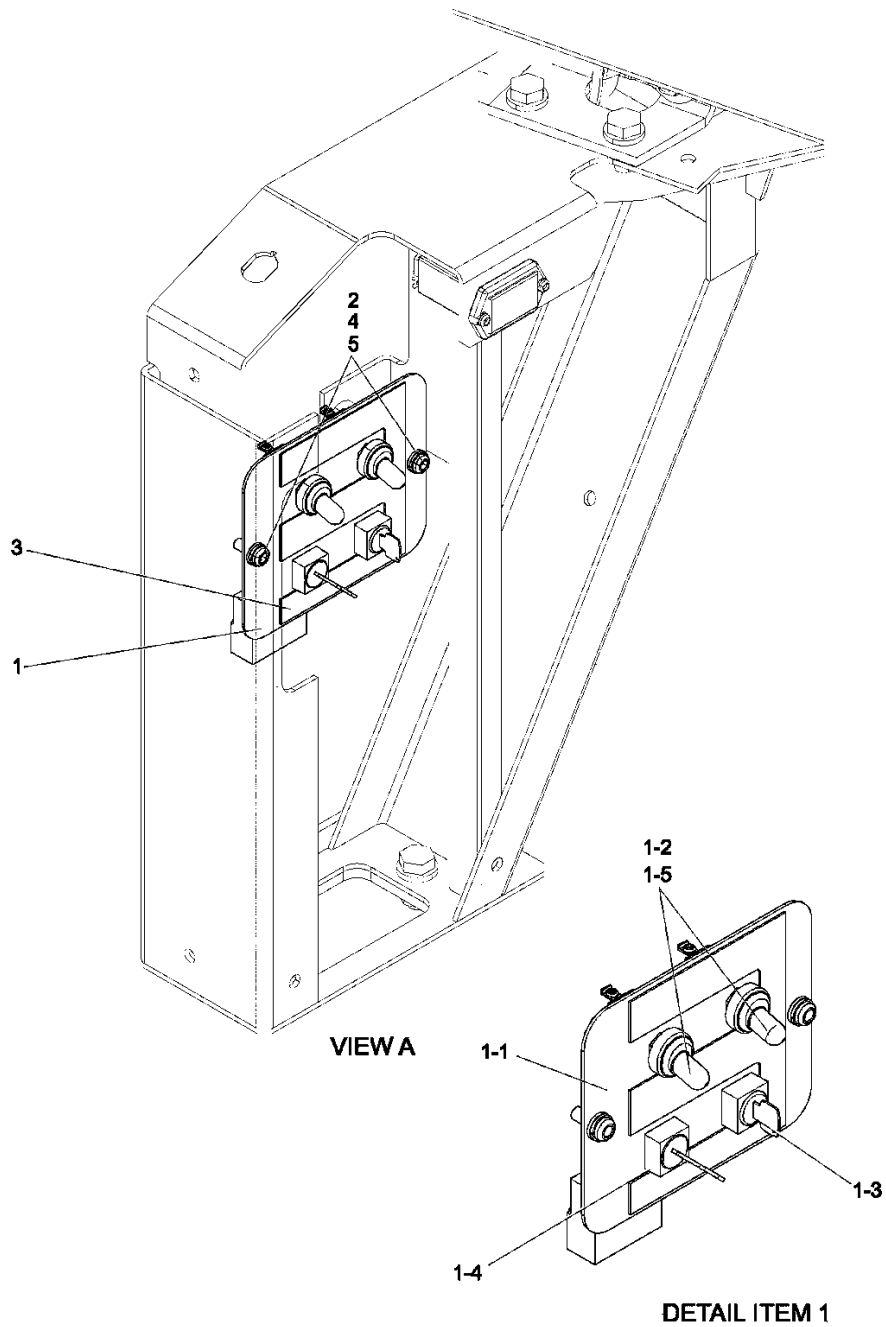
9999430957

Revision:

Item	FN	Part	Qty	Description
1		9999426447	1	SWITCH, KEY
1-2		9999430146	1	NUT ASSY
1-3		9999430147	2	WSHR
1-4		9999430148	1	SWITCH
1-5		9999430149	1	WSHR
1-6		9999427219	1	SWITCH, KEY

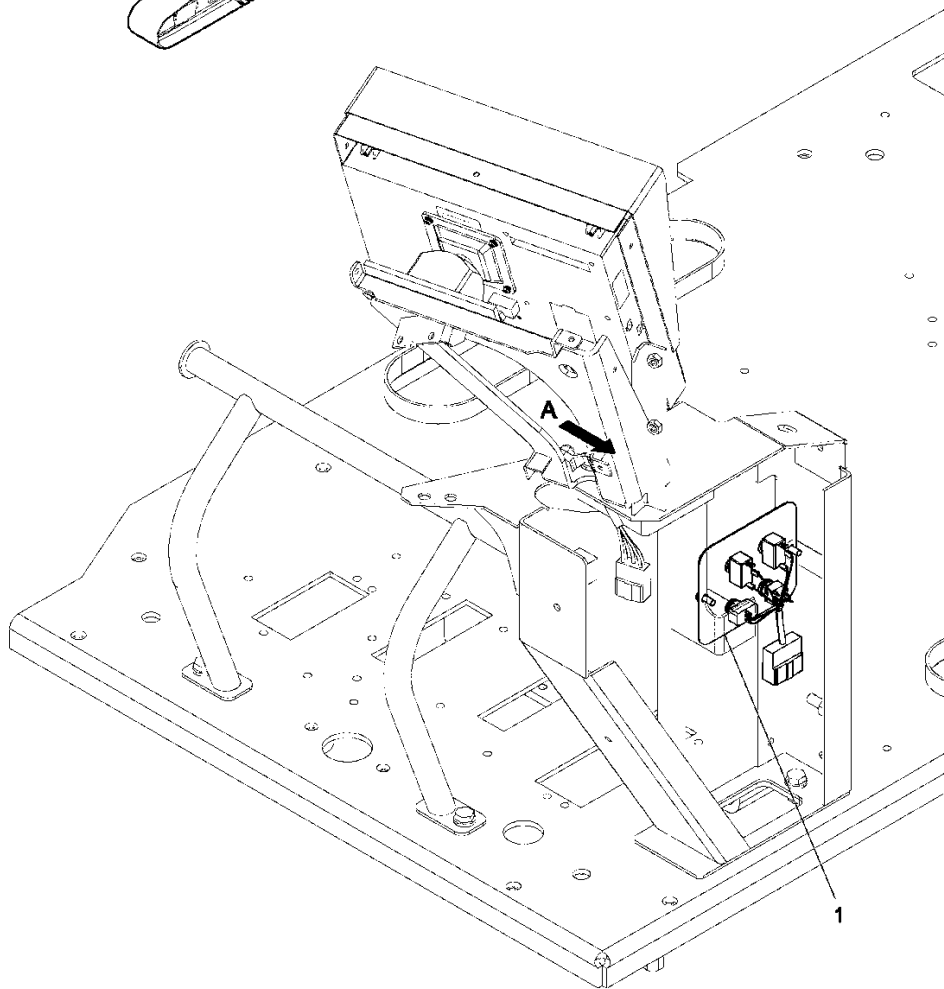
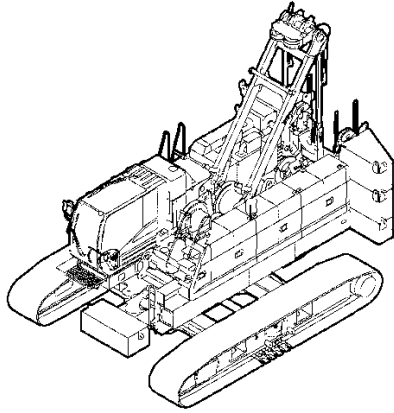
Manitowoc

Notes



Manitowoc

SWITCH INSTAL BYPASS SWITCH



Manitowoc

Description

SWITCH INSTAL BYPASS

Assembly No.

9999430958

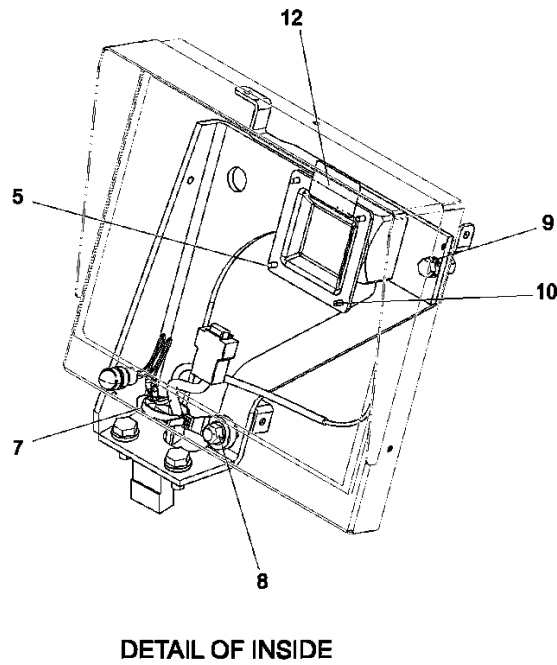
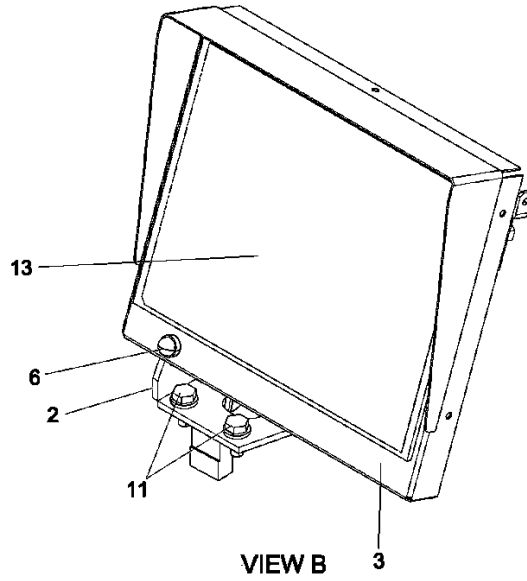
Revision:

Item	FN	Part	Qty	Description
1		9999431799	1	SWITCH ASSY
1-1		9999431805	1	PLATE
1-2		9999405737	2	SWITCH
1-3		9999421469	1	SWITCH
1-4		9999421492	1	SWITCH
1-5		9999405771	2	CAP
2		9999424798	2	MACHINE SCREW
3		9999431829	1	LABEL
4		9999424853	2	WASHER,
5		9999424875	2	LOCK WASHER

Manitowoc

Notes

Manitowoc

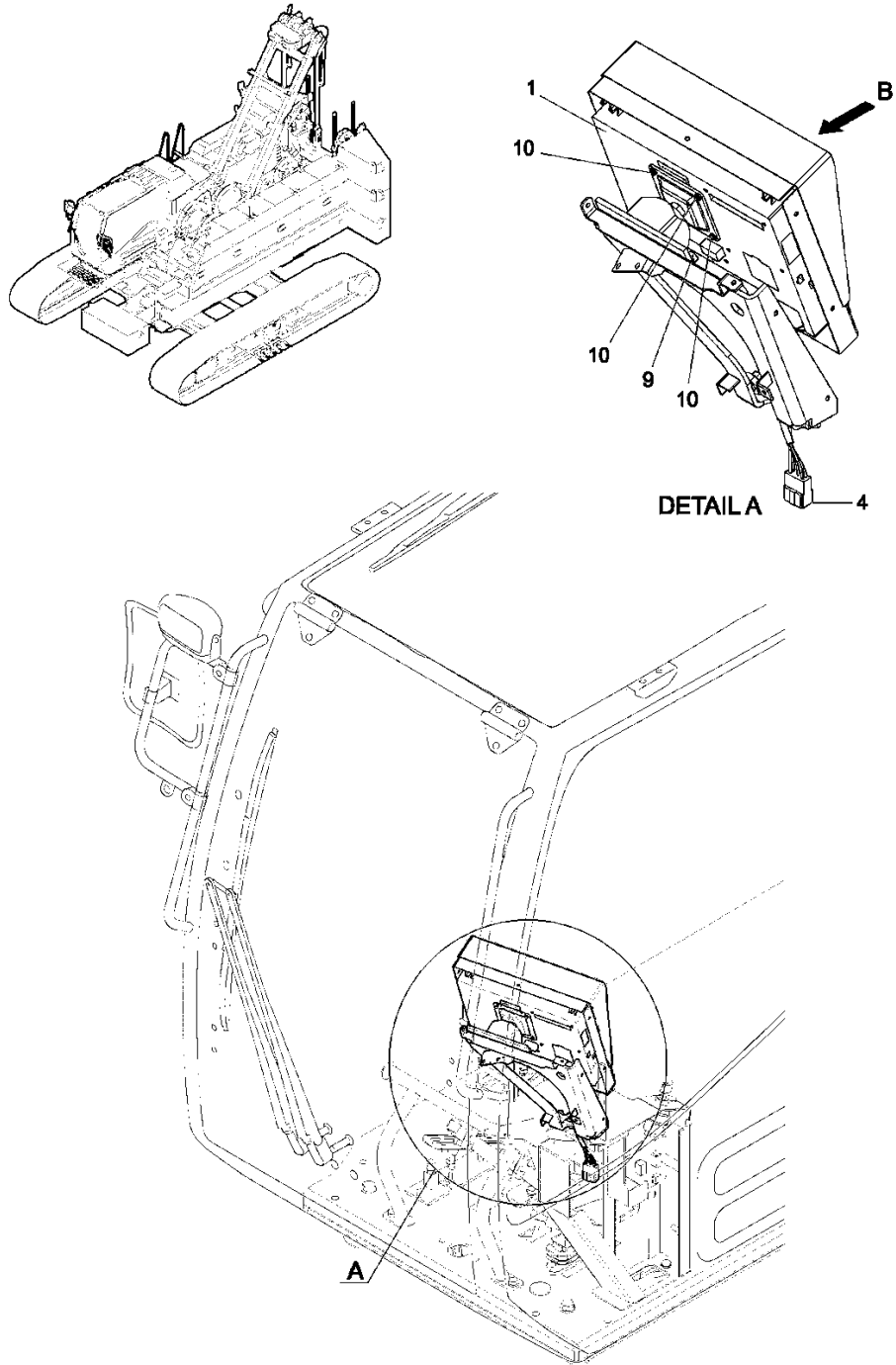


9999430998

(SHEET 2 OF 2)

Manitowoc

MONITOR INSTAL



Manitowoc

Description
MONITOR INSTAL

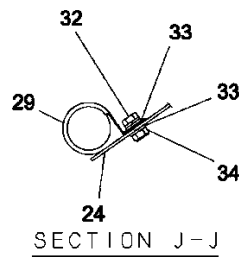
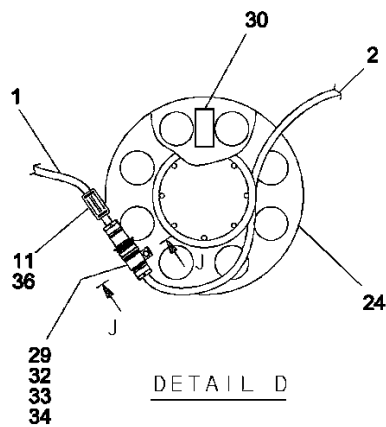
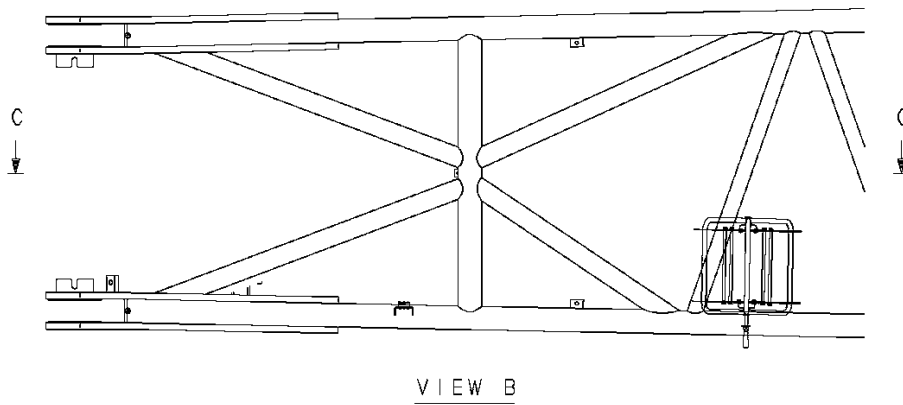
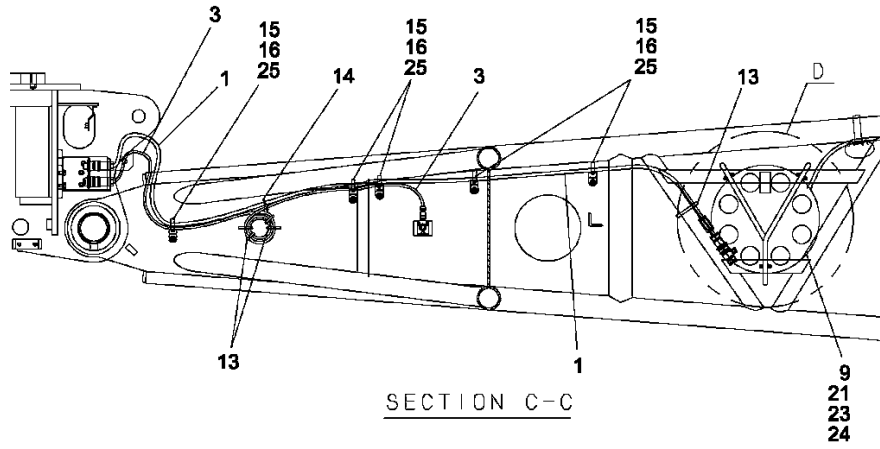
Assembly No.
9999430998
Revision:

Item	FN	Part	Qty	Description
1		9999431933	1	MONITOR ASSY, SAFETY
2		9999431939	1	BRKT
3		9999431938	1	COVER
4		9999431383	1	HARNESS
5		9999431936	1	JOINT
6		9999421495	1	LAMP
7		9999427940	1	CLIP
8		9999408711	1	NUT
9		9999424525	2	SEMS-BOLT
10		9999424533	4	SEMS-BOLT
11		9999432211	2	SEMS-BOLT
12		9999431937	1	LABEL
13		9999431940	1	LABEL

Manitowoc

Notes

Manitowoc

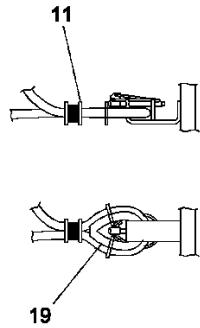
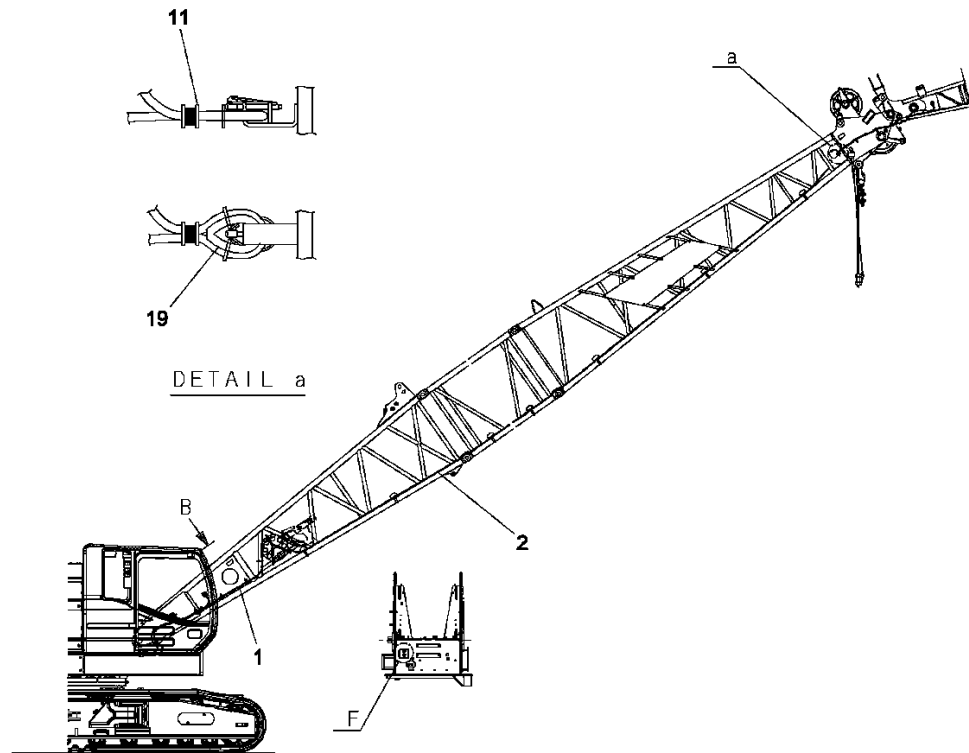


9999430849

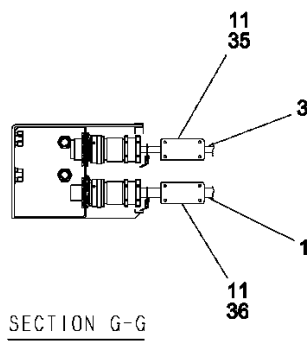
(SHEET 2 OF 2)

Manitowoc

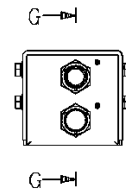
ELEC ASSY, BOOM LOWER BOOM / OVER HOIST PREVENTING



DETAIL a



SECTION G-G



DETAIL F

Manitowoc

Description

ELEC ASSY, BOOM LOWER BOOM / OVER HOIST PREVENTING

Assembly No.

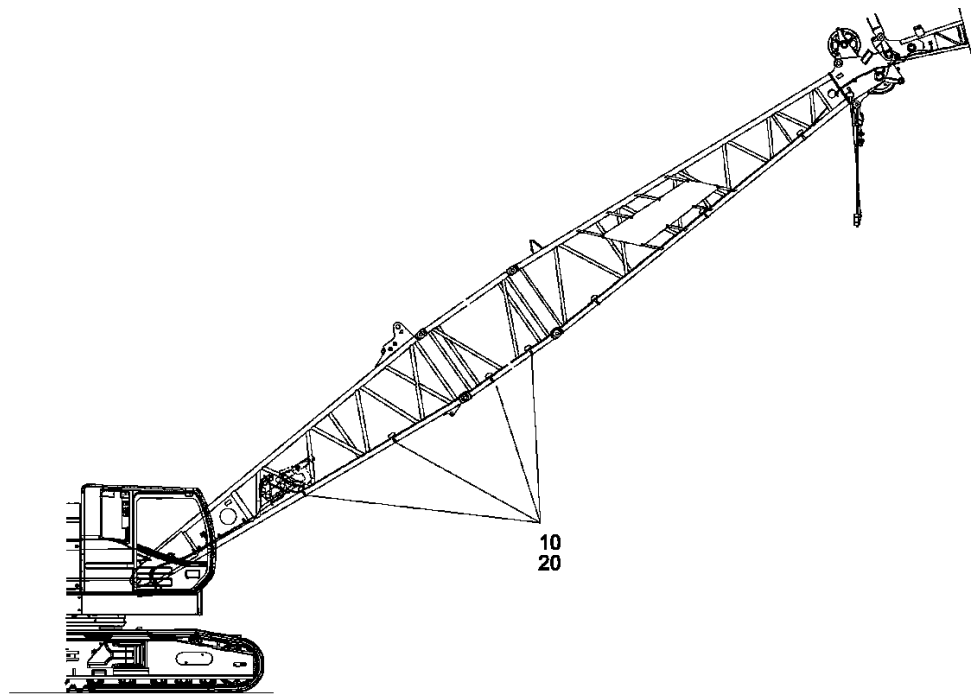
9999430849

Revision:

Item	FN	Part	Qty	Description
1		9999431393	1	CABLE
2		9999431394	1	CABLE
3		9999431397	1	CABLE
9		9999427720	3	U-BOLT
11		9999406272	12	CLIP
13		9999406275	3	CLIP
14		9999406274	1	CLIP
15		9999419755	5	U-NUT
16		9999424855	5	WASHER,
19		9999408785	1	WEDGE, ROPE
21		9999419754	6	U-NUT
23		9999424854	6	WASHER,
24		9999428464	1	REEL, CABLE
25		9999427939	5	CLIP
29		9999406266	1	CLIP
30		9999432074	1	LABEL
32		9999424506	1	SEMS-BOLT
33		9999424853	2	WASHER,
34		9999419753	1	U-NUT
35		90001178	1	LABEL
36		9999427726	2	LABEL

Manitowoc

ELEC ASSY, BOOM
LOWER BOOM / HOOK, CLIP



Manitowoc

Description

ELEC ASSY, BOOM LOWER BOOM / HOOK, CLIP

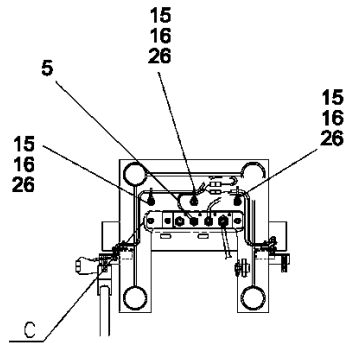
Assembly No.

9999430851

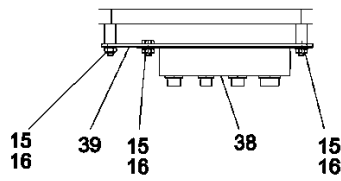
Revision:

Item	FN	Part	Qty	Description
10		9999427762	25	CLIP
20		9999406179	25	HOOK

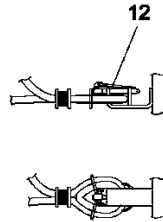
Manitowoc



VIEW B

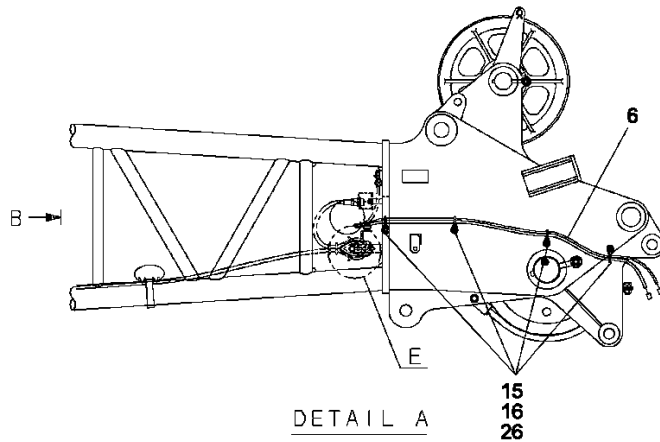
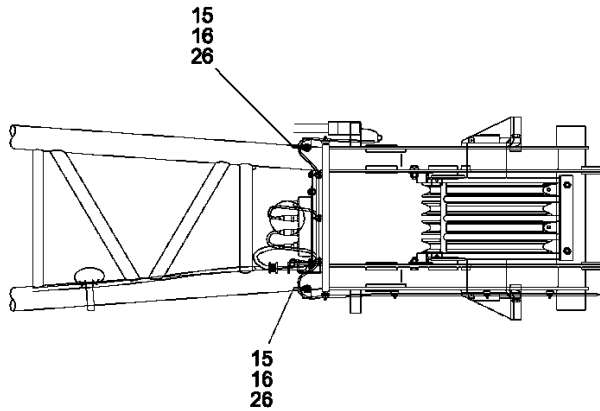
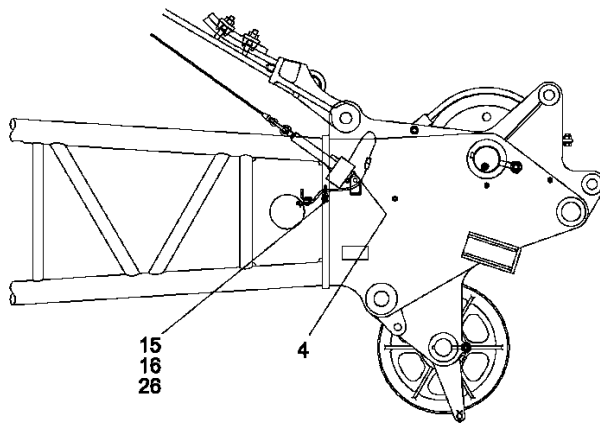


DETAIL C

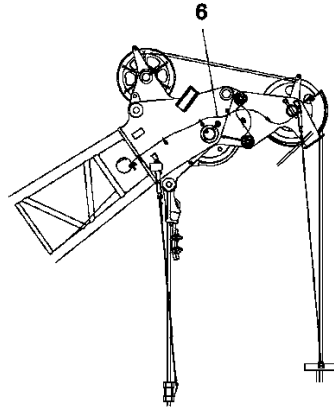


DETAIL E

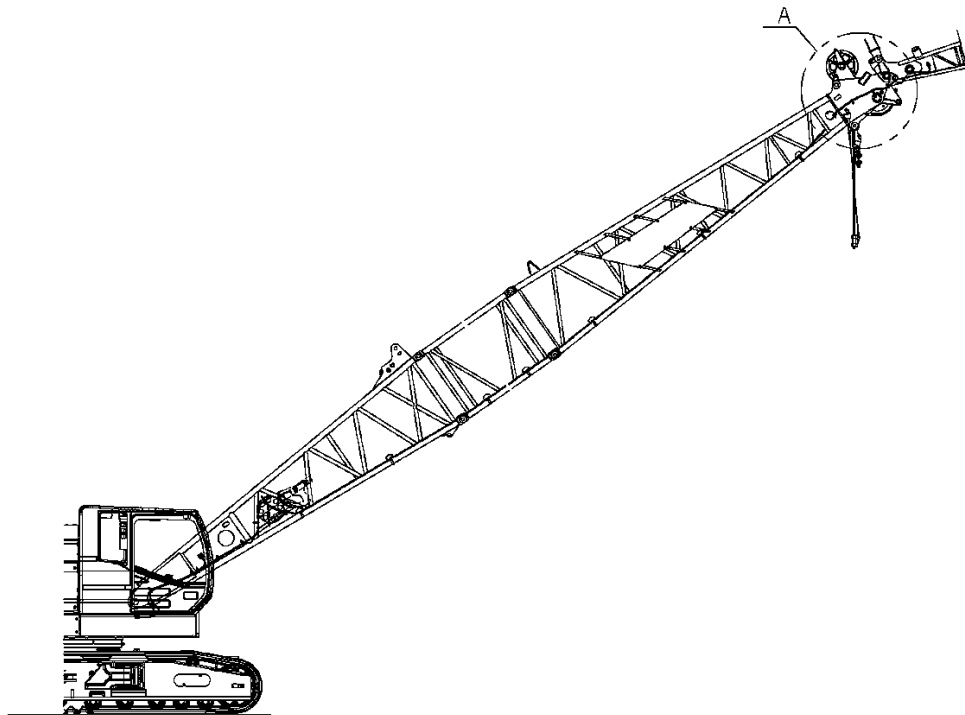
Manitowoc



ELEC ASSY, BOOM
UPPER BOOM / OVER HOIST PREVENTING



SHEAVE (AUX.)



Manitowoc

Description

ELEC ASSY, BOOM UPPER BOOM / OVER HOIST PREVENTING

Assembly No.

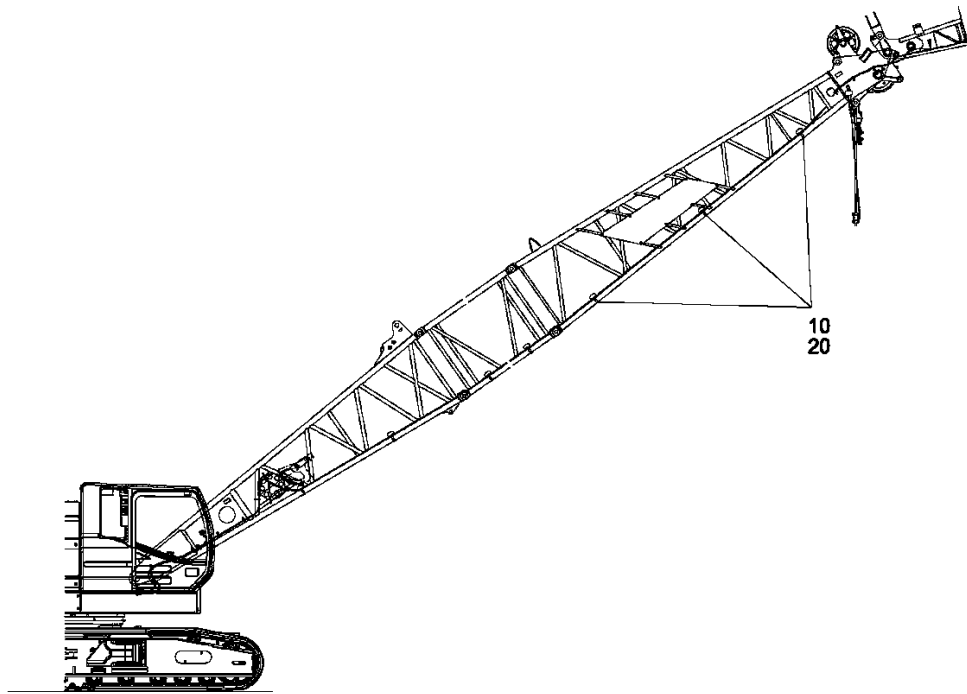
9999430850

Revision:

Item	FN	Part	Qty	Description
4		9999432039	1	CABLE
5		9999431395	1	CABLE
6		9999431392	1	CABLE
12		9999427715	1	PIN, SPRING
15		9999419755	15	U-NUT
16		9999424855	15	WASHER,
26		9999427940	12	CLIP
38		9999431617	1	JUNCTION BOX ASSY
39		9999432035	1	BRKT

Manitowoc

ELEC ASSY, BOOM
UPPER BOOM / HOOK, CLIP



Manitowoc

Description

ELEC ASSY, BOOM UPPER BOOM / HOOK, CLIP

Assembly No.

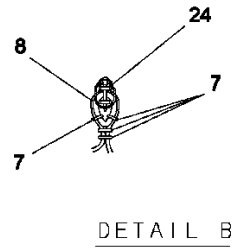
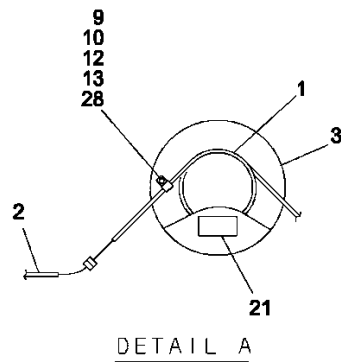
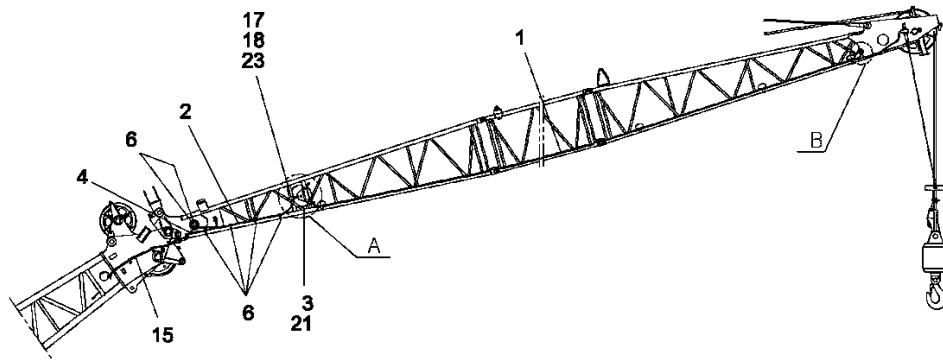
9999430852

Revision:

Item	FN	Part	Qty	Description
10		9999427762	3	CLIP
20		9999406179	3	HOOK

Manitowoc

ELEC ASSY, BOOM
CR. JIB / OVER HOIST PREVENTING



Manitowoc

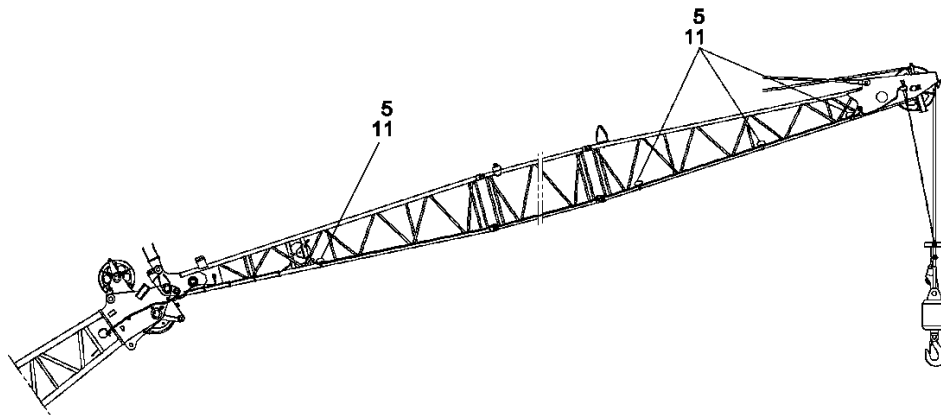
Description
ELEC ASSY, JIB CR. JIB / OVER HOIST PREVENTING

Assembly No.
9999430847
 Revision:

Item	FN	Part	Qty	Description
1		9999431390	1	CABLE
2		9999431391	1	CABLE
3		9999423807	1	REEL ASSY, CABLE
4		9999431398	1	CABLE
6		9999406275	6	CLIP
7		9999406272	4	CLIP
8		9999408784	1	WEDGE, ROPE
9		9999424504	1	BOLT
10		9999421346	1	NUT
12		9999424853	1	WASHER,
13		9999424875	1	LOCK WASHER
15		9999431396	1	CABLE
17		9999419754	6	U-NUT
18		9999427720	3	U-BOLT
21		9999424175	1	LABEL
23		9999424854	6	WASHER,
24		9999427714	1	PIN, SPRING
28		9999406263	1	CLIP

Manitowoc

ELEC ASSY, BOOM
CR. JIB / HOOK, CLIP



Manitowoc

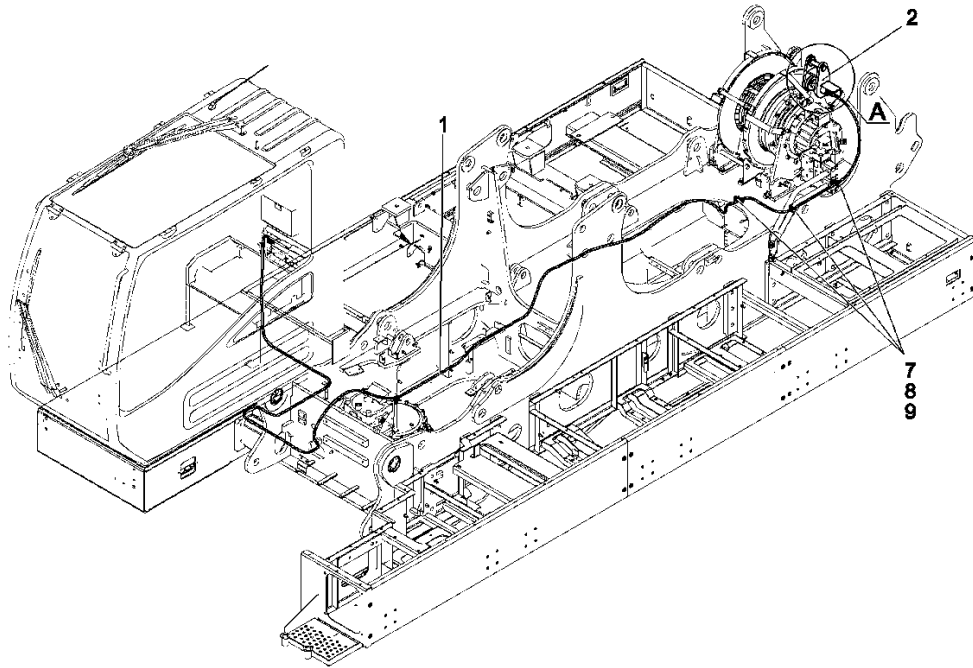
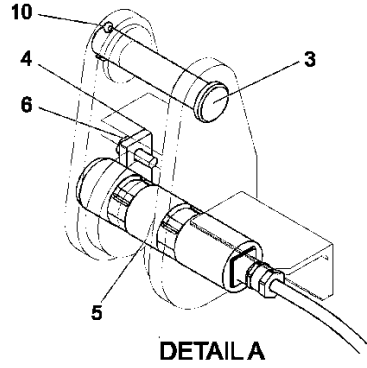
Description
ELEC ASSY, JIB CR. JIB / HOOK, CLIP

Assembly No.
9999430848
Revision:

Item	FN	Part	Qty	Description
5		9999406178	12	HOOK
11		9999424363	12	CLIP

Manitowoc

ELEC ASSY, UPP
OVER HOIST PREVENTIVE DEVICE



Manitowoc

Description

ELEC ASSY, UPP OVER HOIST PREVENTIVE DEVICE

Assembly No.

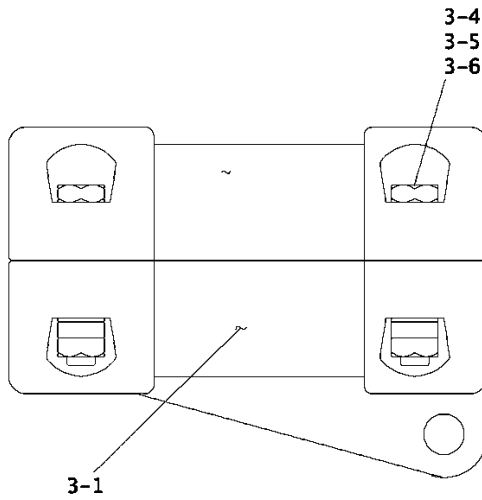
9999430829

Revision:

Item	FN	Part	Qty	Description
1		9999431370	1	HARNESS
2		9999431866	1	BRKT
3		9999431867	1	PIN
4		9999425423	1	PLATE, KEEPER
5		9999427442	1	LOAD CELL
6		9999419659	2	CAPSCREW
7		9999408711	3	NUT
8		9999424856	3	WASHER,
9		9999427940	3	CLIP
10		9999419814	1	PIN

Manitowoc

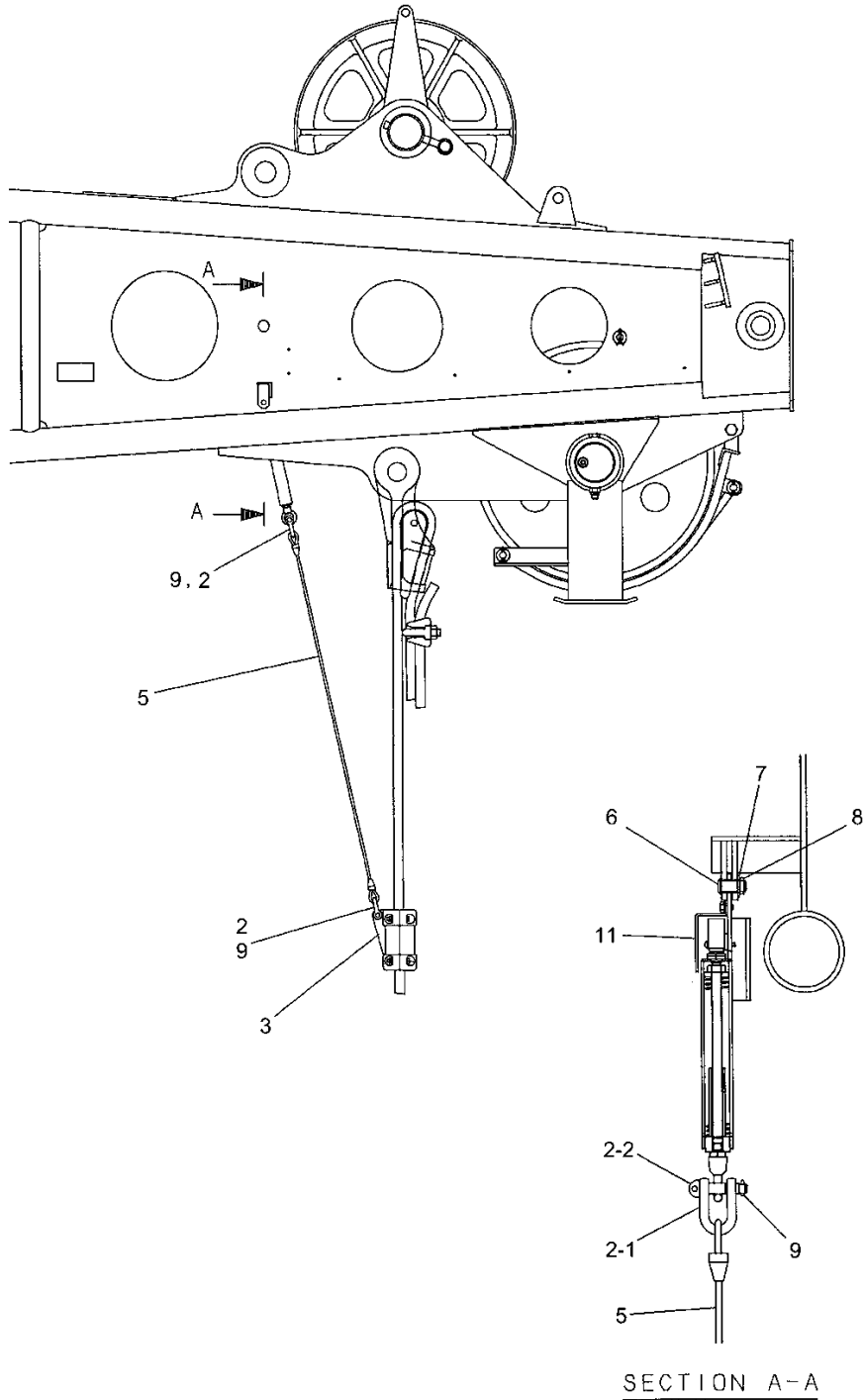
Notes



DETAIL ITEM 3

Manitowoc

SWITCH ASSY, LIMIT HOOK OVERHOIST



Manitowoc

Description

SWITCH ASSY LIMIT HOOK OVERHOIST

Assembly No.

9999429956

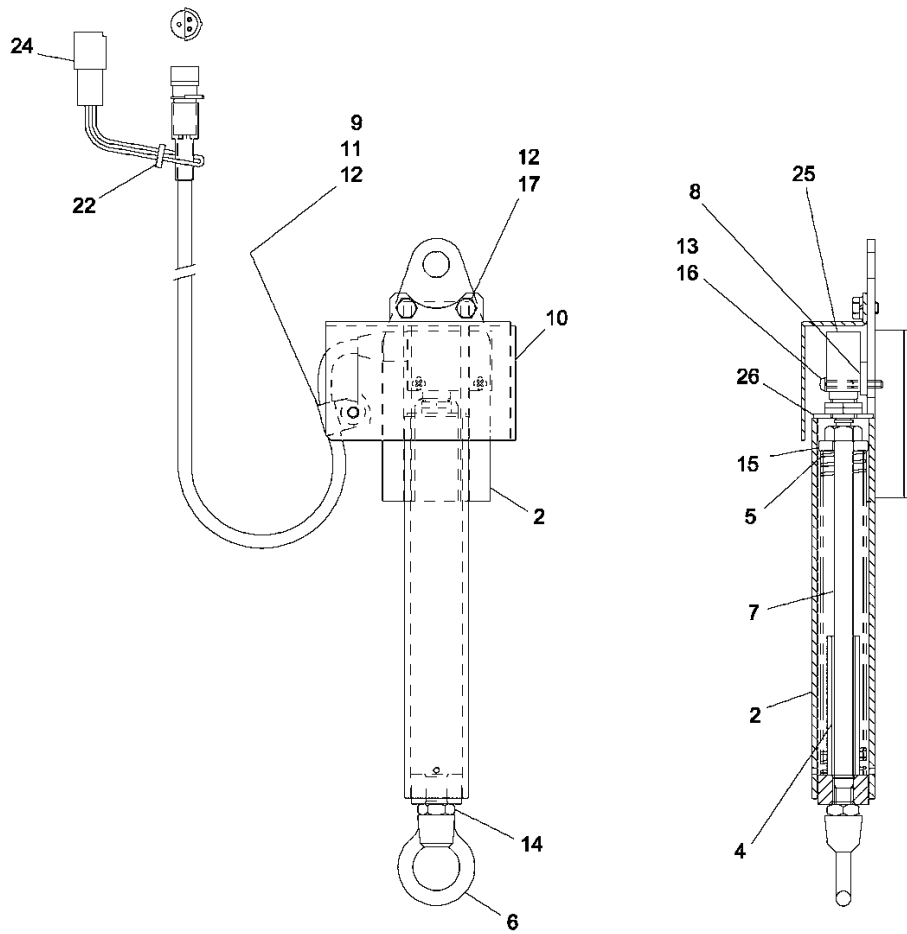
Revision:

Item	FN	Part	Qty	Description
2		9999407298	2	SHACKLE
2-1		9999422931	1	SHACKLE
2-2		9999422930	1	PIN
3		9999403579	1	WEIGHT
3-1		9999403578	1	WEIGHT
3-4		9999424689	4	CAPSCREW
3-5		9999419776	4	NUT
3-6		9999424854	4	WASHER,
5		9999422454	1	WIRE ROPE
6		9999419870	1	PIN
7		9999424856	1	WASHER,
8		9999424601	1	PIN
9		9999424599	2	PIN, SPLIT
11	+	9999429957	1	SWITCH ASSY LIMIT

+ SEE FURTHER BREAKDOWN THIS GROUP

Manitowoc

SWITCH ASSY, LIMIT



Manitowoc

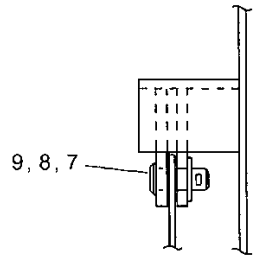
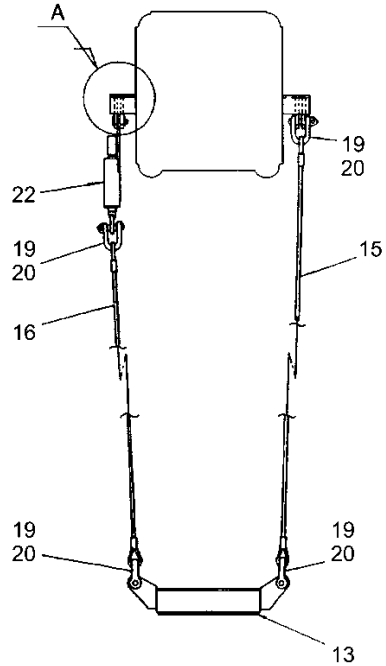
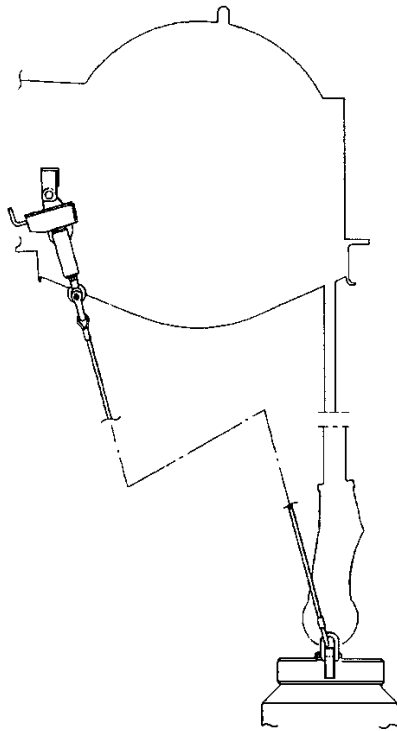
Description
SWITCH ASSY LIMIT

Assembly No.
9999429957
Revision:

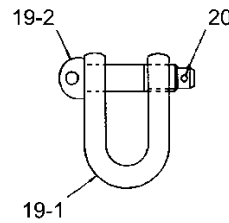
Item	FN	Part	Qty	Description
2		9999430086	1	CASE
4		9999402669	1	SPACER
5		9999402249	1	SPRING
6		9999403557	1	NUT
7		9999424320	1	CAPSCREW
8		9999402526	1	SPACER
9		9999424853	1	WASHER,
10		9999401775	1	COVER
11		9999424384	1	CLAMP
12		9999424679	3	CAPSCREW
13		9999424788	2	MACHINE SCREW
14		9999424561	1	NUT
15		9999402682	1	WASHER,
16		9999424873	2	LOCK WASHER
17		9999424875	2	LOCK WASHER
22		9999406272	1	CLIP
24		9999430087	1	CAP
25		9999430090	1	SWITCH, LIMIT
26		9999402525	1	WASHER

Manitowoc

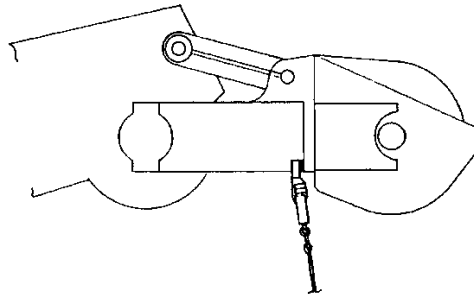
SWITCH ASSY, LIMIT FOR AUX. SHEAVE&JIB



DETAIL A



DETAIL ITEM 19



SHEAVE AUX.

Manitowoc

Description

SWITCH ASSY LIMIT FOR AUX SHEAVE & JIB

Assembly No.

9999429922

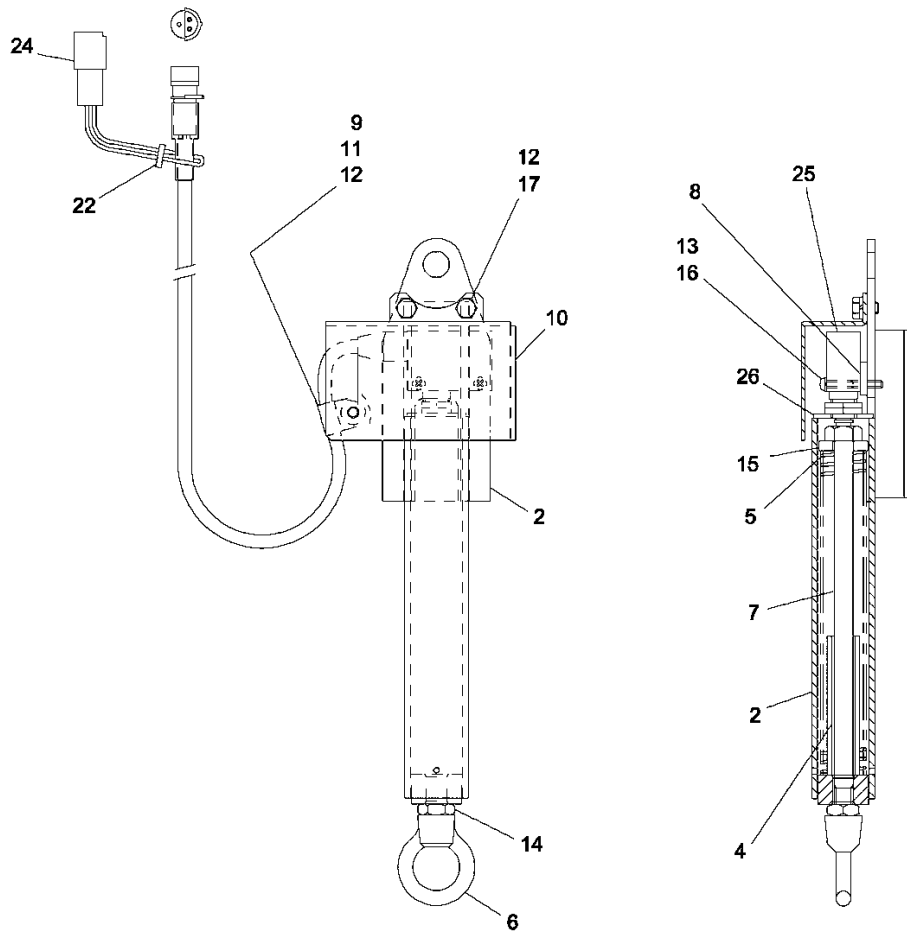
Revision:

Item	FN	Part	Qty	Description
7		9999419870	1	PIN
8		9999424856	1	WASHER,
9		9999424581	1	PIN, SPLIT
13		9999403588	1	WEIGHT
15		9999404295	1	WIRE ROPE
16		9999404296	1	WIRE ROPE
19		9999407298	4	SHACKLE
19-1		9999422931	1	SHACKLE
19-2		9999422930	1	PIN
20		9999424578	4	PIN, SPLIT
22	+	9999429957	1	SWITCH ASSY LIMIT

+ SEE FURTHER BREAKDOWN THIS GROUP

Manitowoc

SWITCH ASSY, LIMIT



Manitowoc

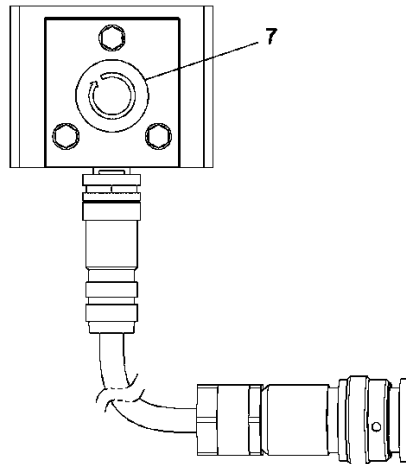
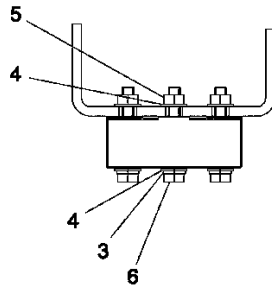
Description
SWITCH ASSY LIMIT

Assembly No.
9999429957
Revision:

Item	FN	Part	Qty	Description
2		9999430086	1	CASE
4		9999402669	1	SPACER
5		9999402249	1	SPRING
6		9999403557	1	NUT
7		9999424320	1	CAPSCREW
8		9999402526	1	SPACER
9		9999424853	1	WASHER,
10		9999401775	1	COVER
11		9999424384	1	CLAMP
12		9999424679	3	CAPSCREW
13		9999424788	2	MACHINE SCREW
14		9999424561	1	NUT
15		9999402682	1	WASHER,
16		9999424873	2	LOCK WASHER
17		9999424875	2	LOCK WASHER
22		9999406272	1	CLIP
24		9999430087	1	CAP
25		9999430090	1	SWITCH, LIMIT
26		9999402525	1	WASHER

Manitowoc

SENSOR INSTAL ANGLE SENSOR / BOOM, CR. JIB



Manitowoc

Description

SENSOR INSTAL ANGLE BOOM, CR. JIB

Assembly No.

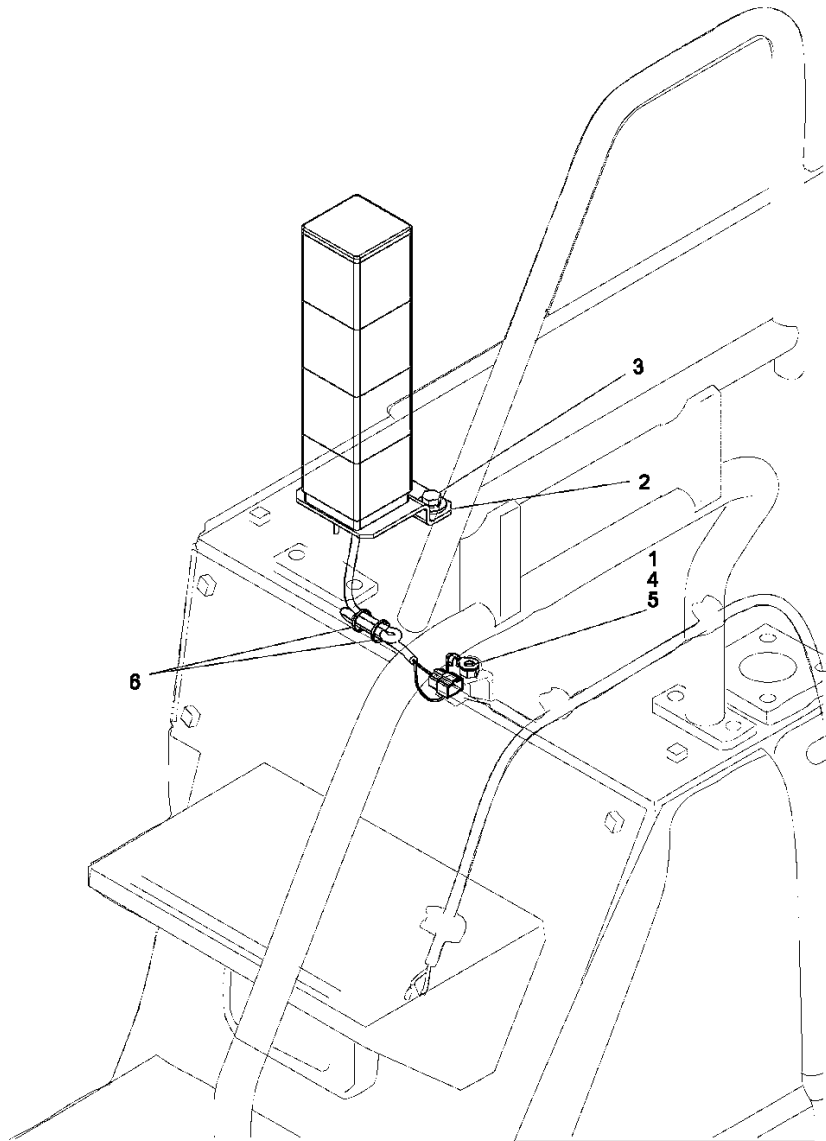
9999430976

Revision:

Item	FN	Part	Qty	Description
3		9999424873	3	LOCK WASHER
4		9999424848	6	WASHER
5		9999424548	3	NUT
6		9999420127	3	BOLT
7		9999431870	1	SENSOR, ANGLE

Manitowoc

ALARM ASSY
LIMITER LAMP / OPT.



Manitowoc

Description

ALARM ASSY LIMITER LAMP

Assembly No.

9999430982

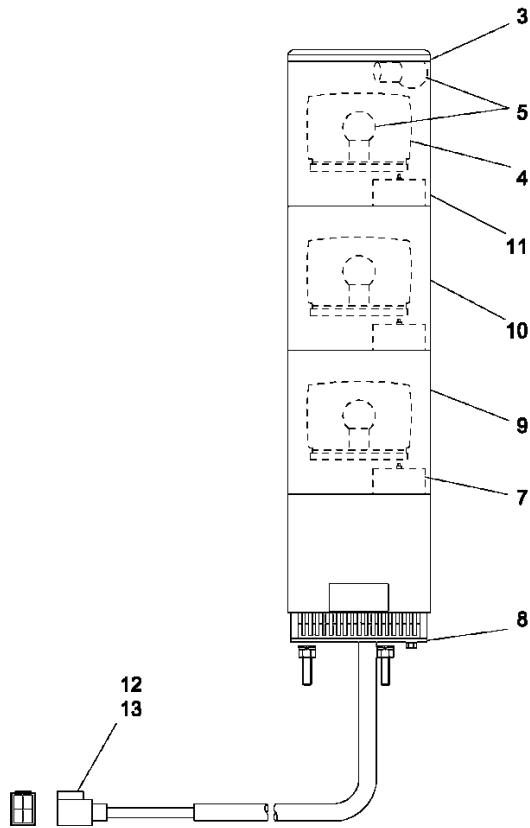
Revision:

Item	FN	Part	Qty	Description
1	+	9999430799	1	ALARM, OVER LOAD
2		9999431873	1	BRKT
3		9999424526	2	SEMS-BOLT
4		9999424567	1	NUT
5		9999424877	1	LOCK WASHER
6		9999406272	2	CLIP

+ SEE FURTHER BREAKDOWN THIS GROUP

Manitowoc

LAMP ASSY, SIGNAL



Manitowoc

Description

ALARM, OVER LOAD

Assembly No.

9999430799

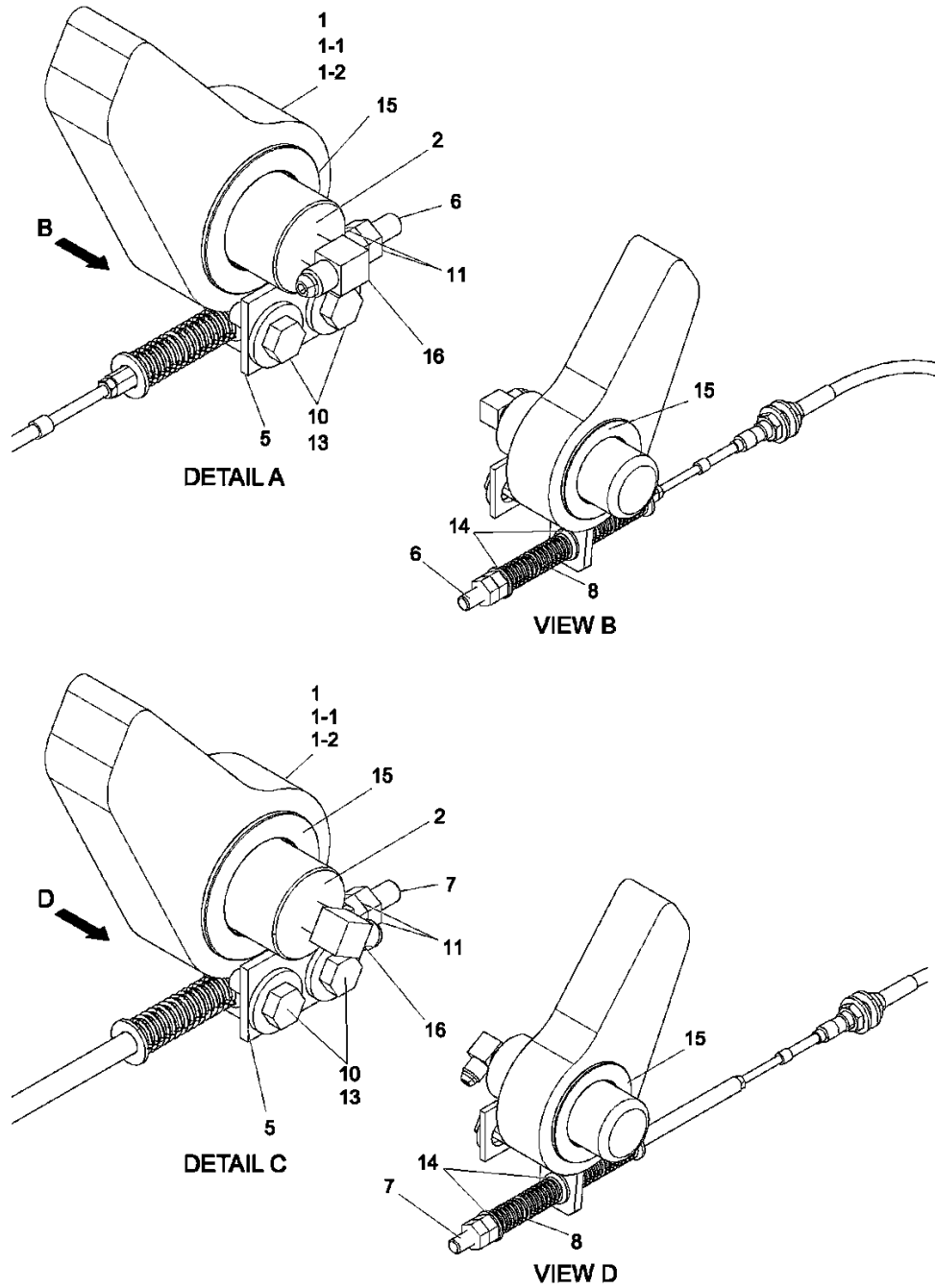
Revision:

Item	FN	Part	Qty	Description
3		9999425324	1	COVER
4		9999425325	3	MIRROR
5		9999425326	4	LIGHT
7		9999425327	3	MOTOR, ELEC
8		9999425328	1	PLATE
9		9999425329	1	COVER
10		9999425330	1	COVER
11		9999425331	1	COVER
12		9999405756	1	TERMINAL
13		9999430007	1	CONNECTOR

Manitowoc

Notes

Manitowoc

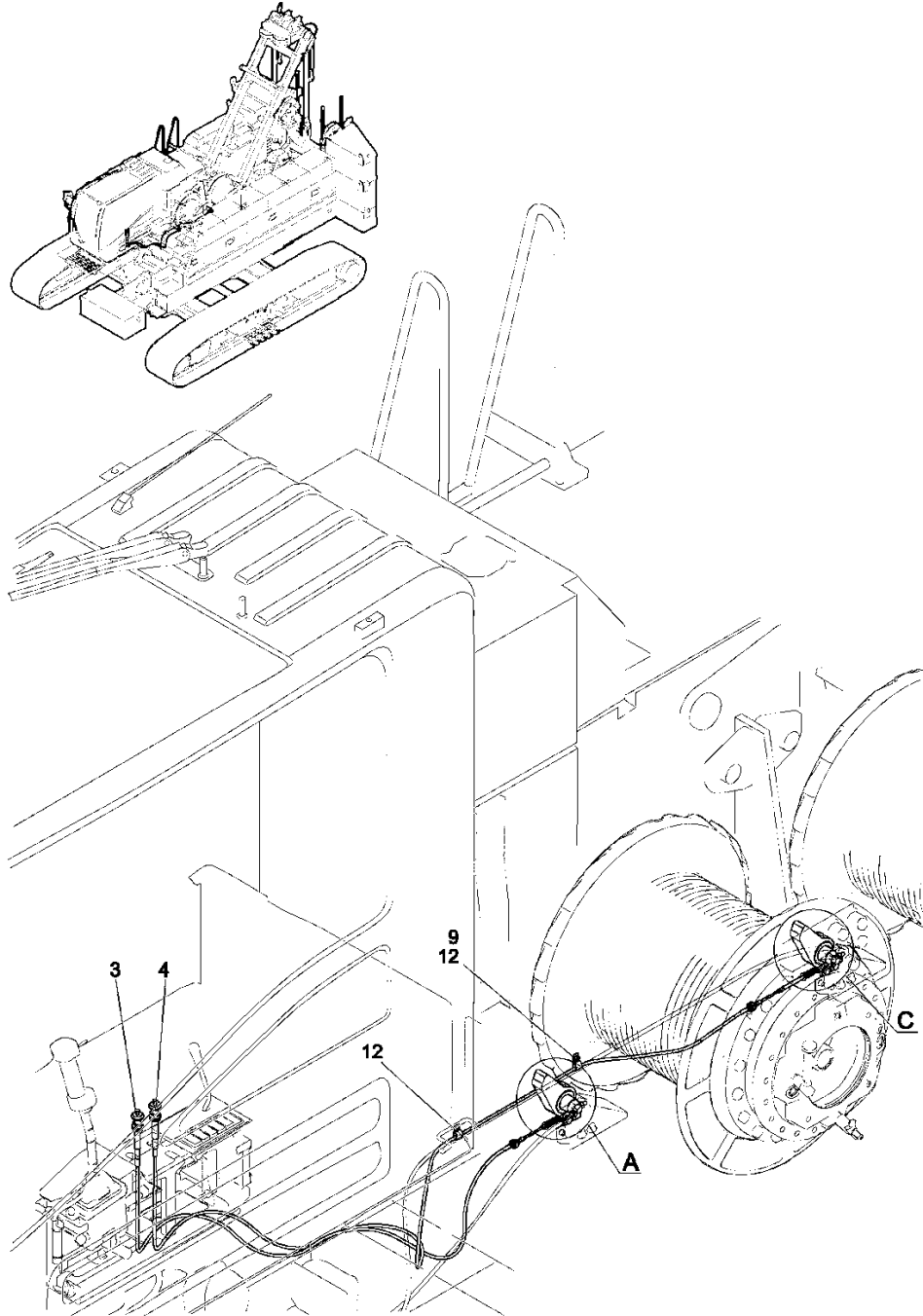


9999431063

(SHEET 2 OF 2)

Manitowoc

LOCK ASSY, DRUM, WINCH
FRONT, REAR



Manitowoc

Description

LOCK ASSY, DRUM, WINCH FRT, RR

Assembly No.

9999431063

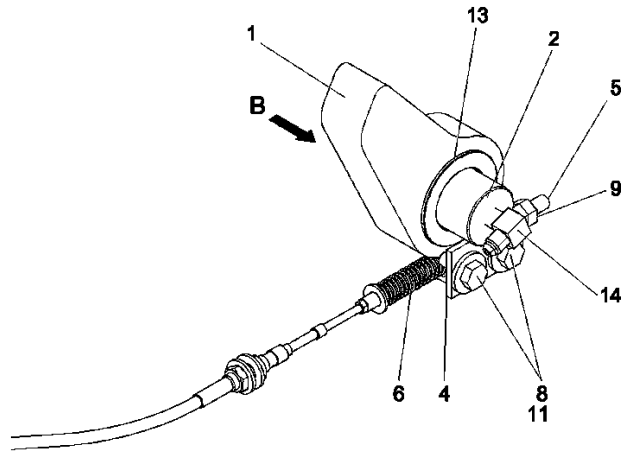
Revision:

Item	FN	Part	Qty	Description
1		9999408349	2	PAWL
1-1		9999423811	1	PAWL
1-2		9999400279	1	BUSHING
2		9999432030	2	PIN
3		9999421433	1	CABLE, CONTROL
4		9999400427	1	CABLE, CNTRL
5		9999402662	2	PLATE
6		9999423812	1	ROD
7		9999423813	1	ROD
8		9999424078	4	SPRING
9		9999424404	2	CLIP
10		9999421368	4	CAPSCREW
11		9999424558	4	NUT
12		9999408710	2	NUT
13		9999422194	4	WASHER,
14		9999424855	6	WASHER,
15		9999407567	4	WASHER, THRUST
16		9999424493	2	ELBOW, 90

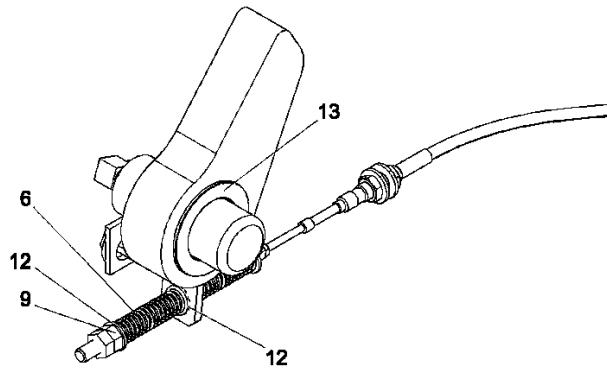
Manitowoc

Notes

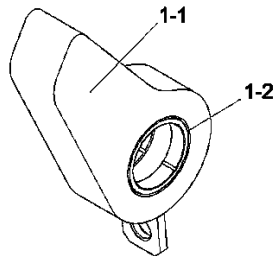
Manitowoc



VIEW A



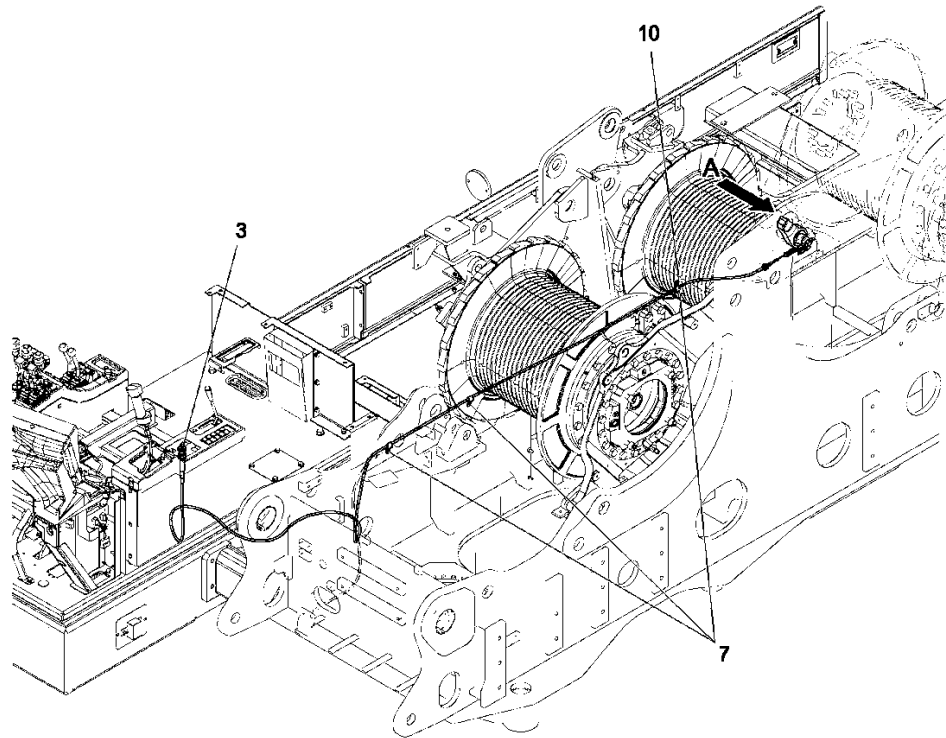
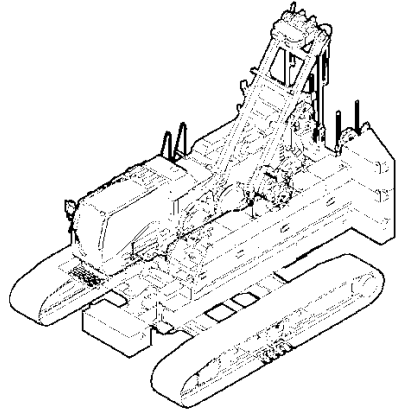
VIEW B



DETAIL ITEM 1

Manitowoc

LOCK ASSY, DRUM, WINCH
THIRD / OPT.



Manitowoc

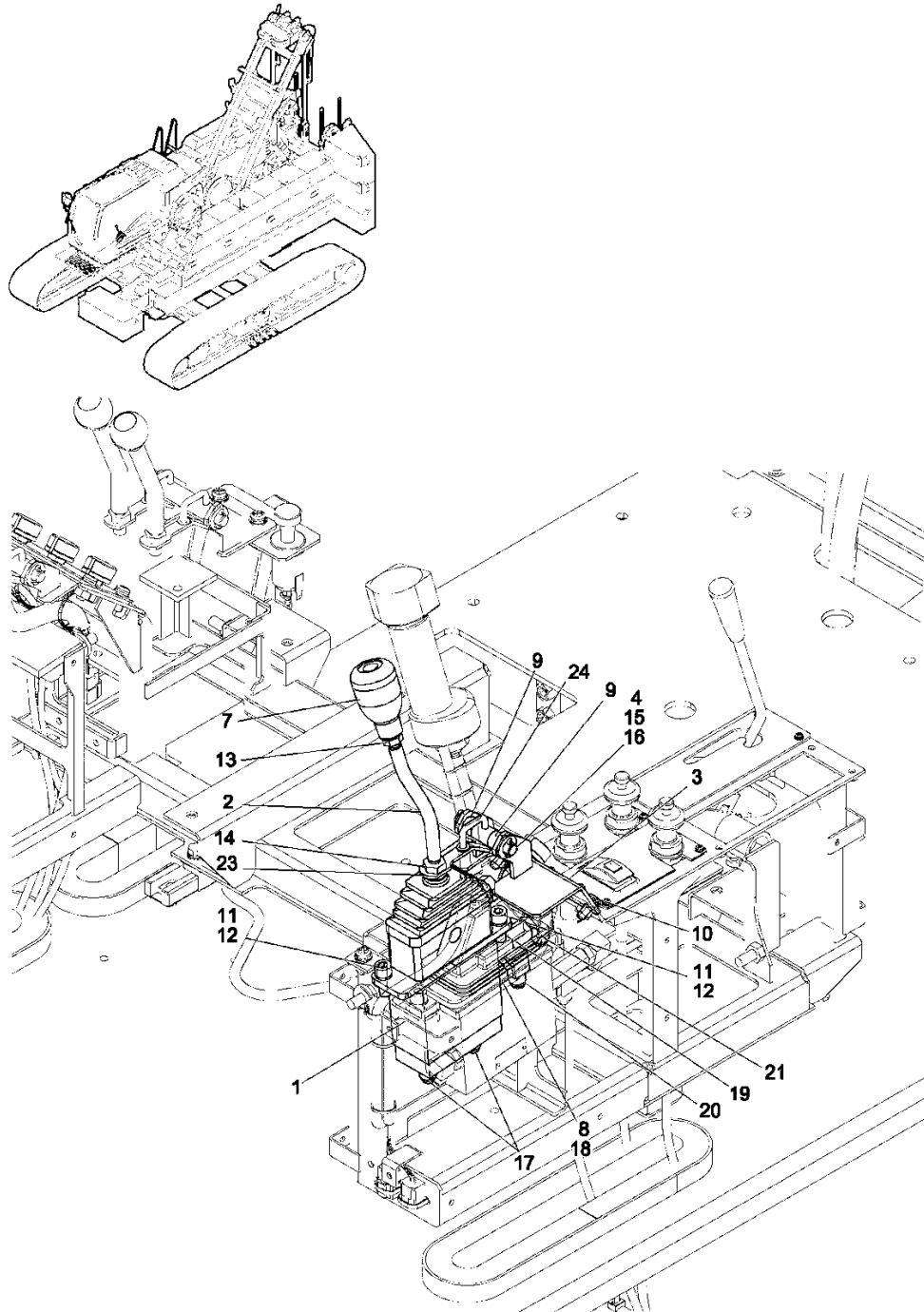
Description
LOCK ASSY, DRUM, WINCH 3RD

Assembly No.
9999431064
 Revision:

Item	FN	Part	Qty	Description
1		9999408349	1	PAWL
1-1		9999423811	1	PAWL
1-2		9999400279	1	BUSHING
2		9999432030	1	PIN
3		9999431075	1	CABLE, CNTRL
4		9999402662	1	PLATE
5		9999423812	1	ROD
6		9999424078	2	SPRING
7		9999424404	3	CLIP
8		9999421368	2	CAPSCREW
9		9999424558	2	NUT
10		9999408710	1	NUT
11		9999422194	2	WASHER,
12		9999424855	3	WASHER,
13		9999407567	2	WASHER, THRUST
14		9999424493	1	ELBOW, 90

Manitowoc

CONTROLS, OPERATORS
WITH DETENT / THIRD / OPT.



Manitowoc

Description
CNTRLS, OPERATORS W/ DETENT / 3RD

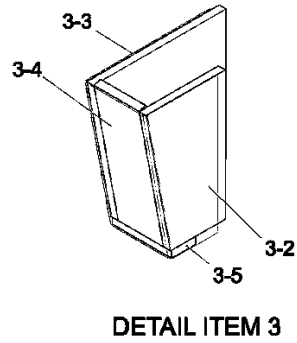
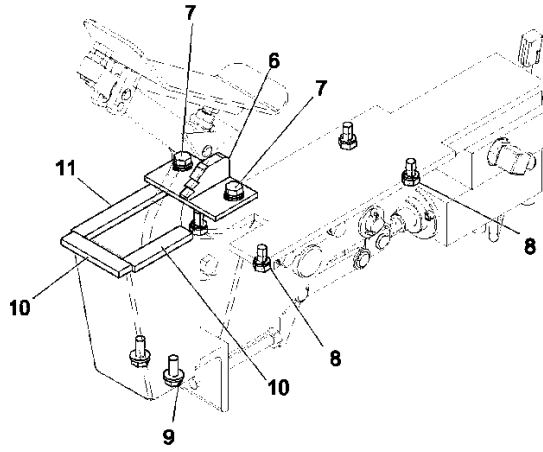
Assembly No.
9999430841
 Revision:

Item	FN	Part	Qty	Description
1		9999431690	1	VALVE, PILOT
2		9999431306	1	LEVER
3		9999431684	1	BRKT
4		9999431824	1	PIN
7		9999407219	1	GRIP
8		9999424429	1	O-RING
9		9999431821	2	SPACER
10		9999432200	2	SEMS-BOLT
11		9999424764	2	CAPSCREW
12		9999424867	2	LOCK WASHER
13		9999424557	1	NUT
14		9999424554	1	NUT
15		9999424856	2	WASHER,
16		9999419805	2	PIN, SPLIT
17		9999422541	2	CONNECTOR
18		9999427931	1	CONNECTOR
19		9999431136	1	CONNECTOR
20		9999424062	1	ELBOW, 90
21		9999421210	1	ELBOW, 90
23		9999431685	1	PLATE
24		9999431831	1	LEVER ASSY

Manitowoc

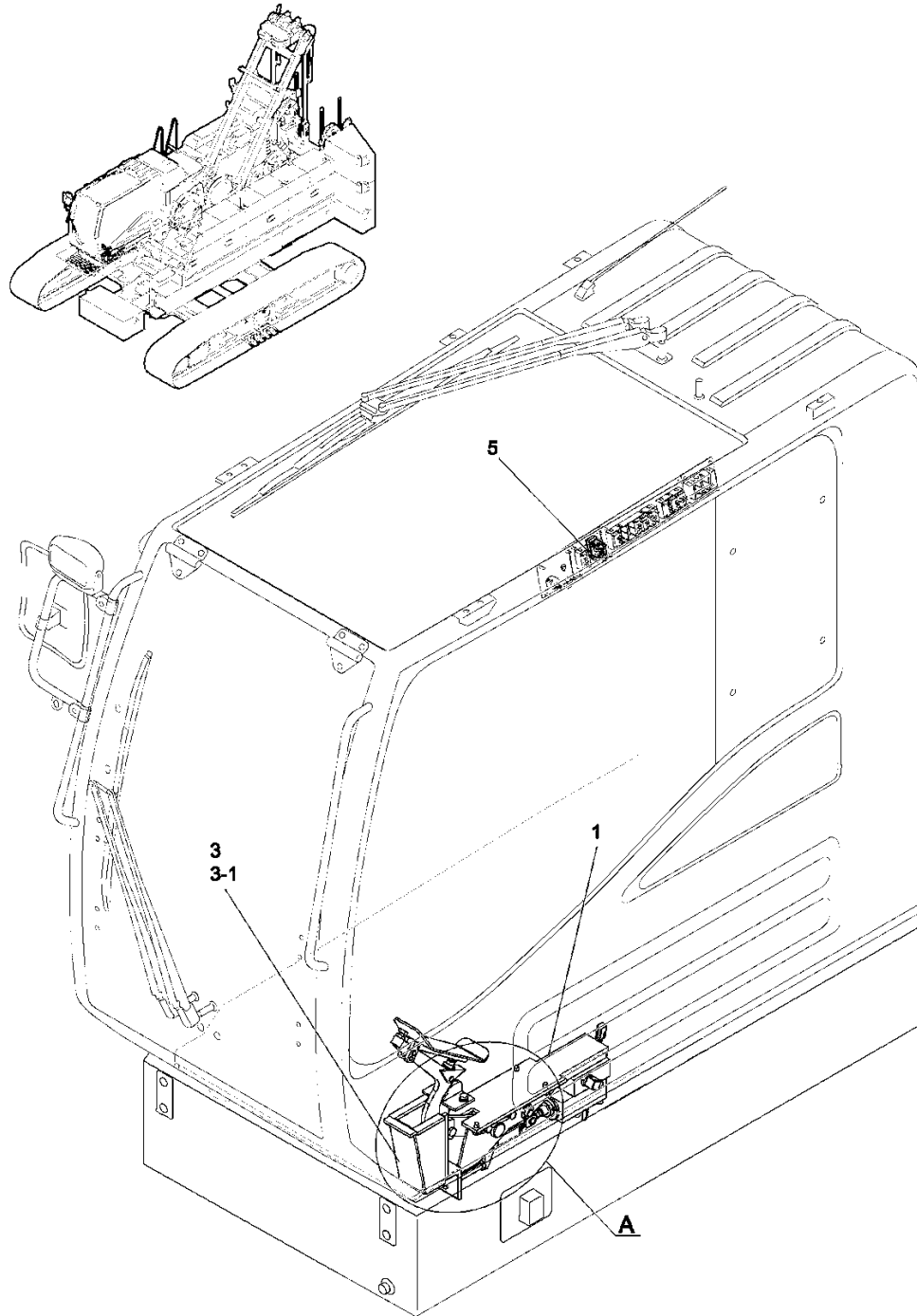
Notes

Manitowoc



Manitowoc

CONTROLS, OPERATORS
WITH FREE FALL / THIRD / OPT.



Manitowoc

Description

CNTRLS, OPERATORS W/ FREE FALL / 3RD

Assembly No.

9999430838

Revision:

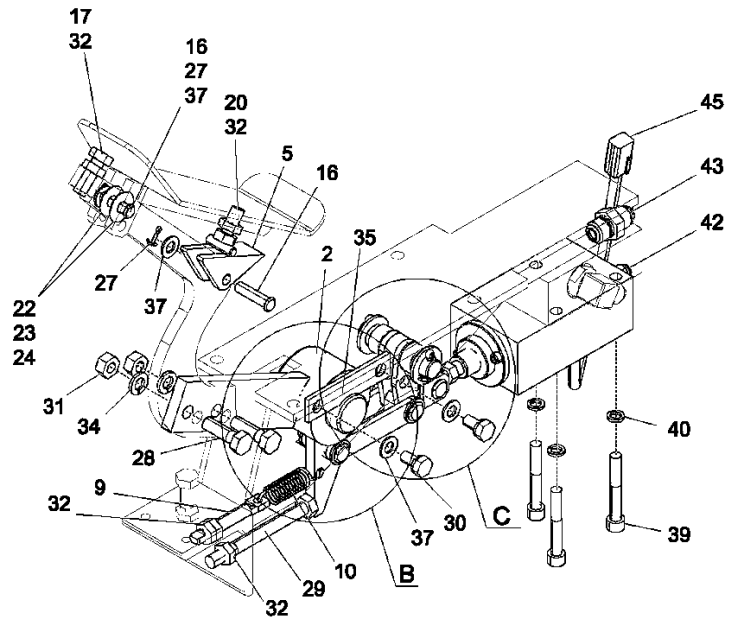
Item	FN	Part	Qty	Description
1	+	9999431001	1	PEDAL ASSY, BRAKE 3RD
3		9999431311	1	COVER ASSY
3-1		9999431310	1	COVER
3-2		9999431631	1	INSULATION
3-3		9999431632	1	INSULATION
3-4		9999431633	1	INSULATION
3-5		9999431634	1	INSULATION
5		9999431835	1	SWITCH
6		9999408194	1	BRACKET
7		9999424521	2	SEMS-BOLT
8		9999424510	4	SEMS-BOLT
9		9999432211	2	SEMS-BOLT
10		9999431176	2	RUBBER
11		9999431177	1	RUBBER

+ SEE FURTHER BREAKDOWN THIS GROUP

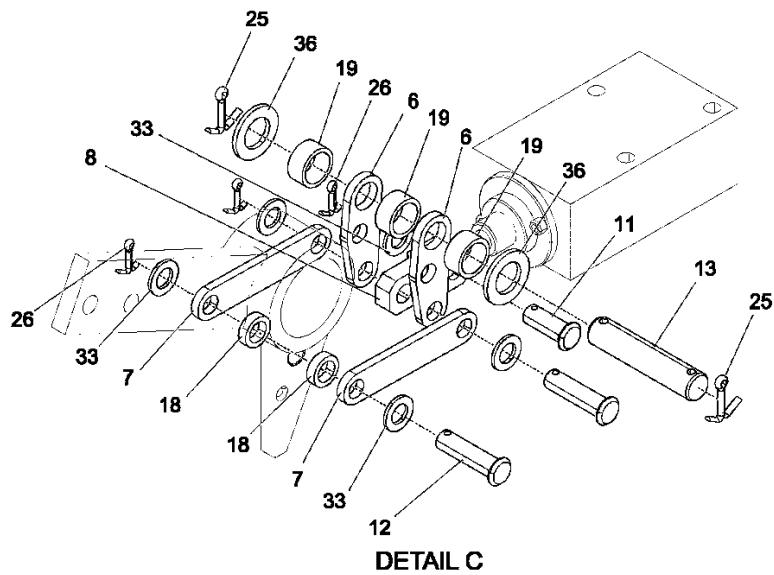
Manitowoc

Notes

Manitowoc



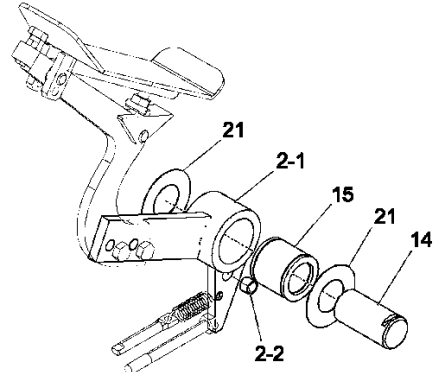
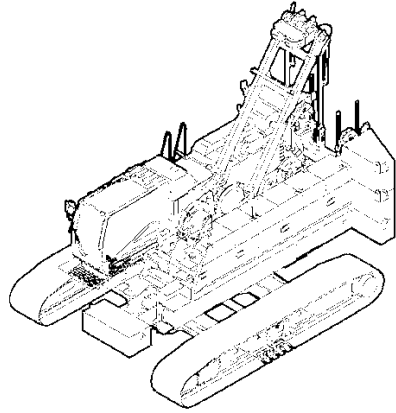
VIEW A



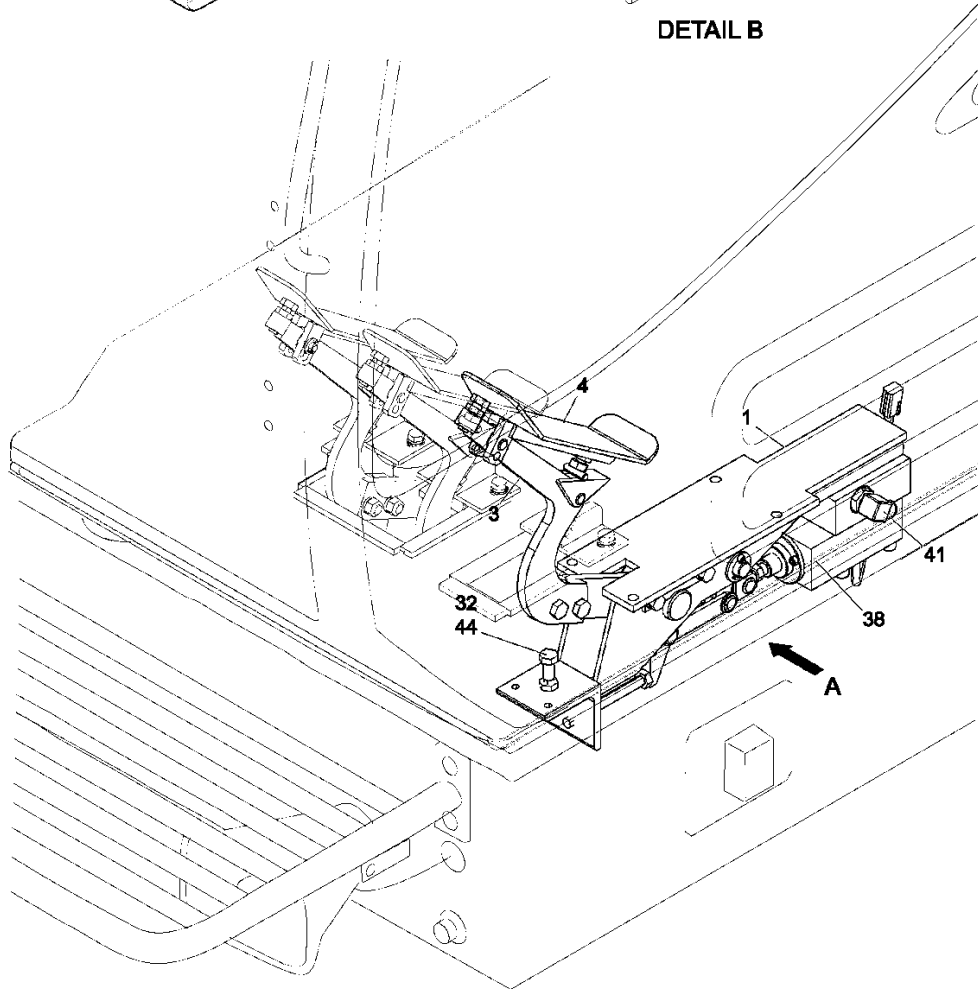
DETAIL C

Manitowoc

PEDAL ASSY, BRAKE THIRD / OPT.



DETAIL B



Manitowoc

Description
PEDAL ASSY, BRAKE 3RD

Assembly No.
9999431001
 Revision:

Item	FN	Part	Qty	Description
1		9999431947	1	BRKT
2		9999408189	1	LEVER ASSY
2-1		9999423676	1	LEVER
2-2		9999400290	1	BUSHING
3		9999408192	1	LINK
4		9999408191	1	PEDAL
5		9999400463	1	PAWL
6		9999400437	2	LINK
7		9999408187	2	LINK
8		9999400450	1	LINK
9		9999403376	1	BOLT, EYE
10		9999400023	1	SPRING
11		9999402888	1	PIN
12		9999402891	2	PIN
13		9999400087	1	PIN
14		9999403020	1	PIN
15		9999422611	1	BEARING
16		9999419867	2	PIN
17		9999424704	1	CAPSCREW
18		9999400049	2	SPACER
19		9999400051	3	SPACER
20		9999408186	1	BOLT
21		9999406174	2	SPACER
22		9999407395	2	SHIM,
23		9999407396	2	SHIM,
24		9999407397	2	SHIM,
25		9999424603	2	PIN, SPLIT
26		9999424601	3	PIN
27		9999424598	2	PIN, SPLIT
28		9999421375	2	CAPSCREW
29		9999424712	1	CAPSCREW
30		9999424510	2	SEMS-BOLT
31		9999421348	2	NUT
32		9999432216	6	NUT

Manitowoc

Description

PEDAL ASSY, BRAKE 3RD

Assembly No.

9999431001

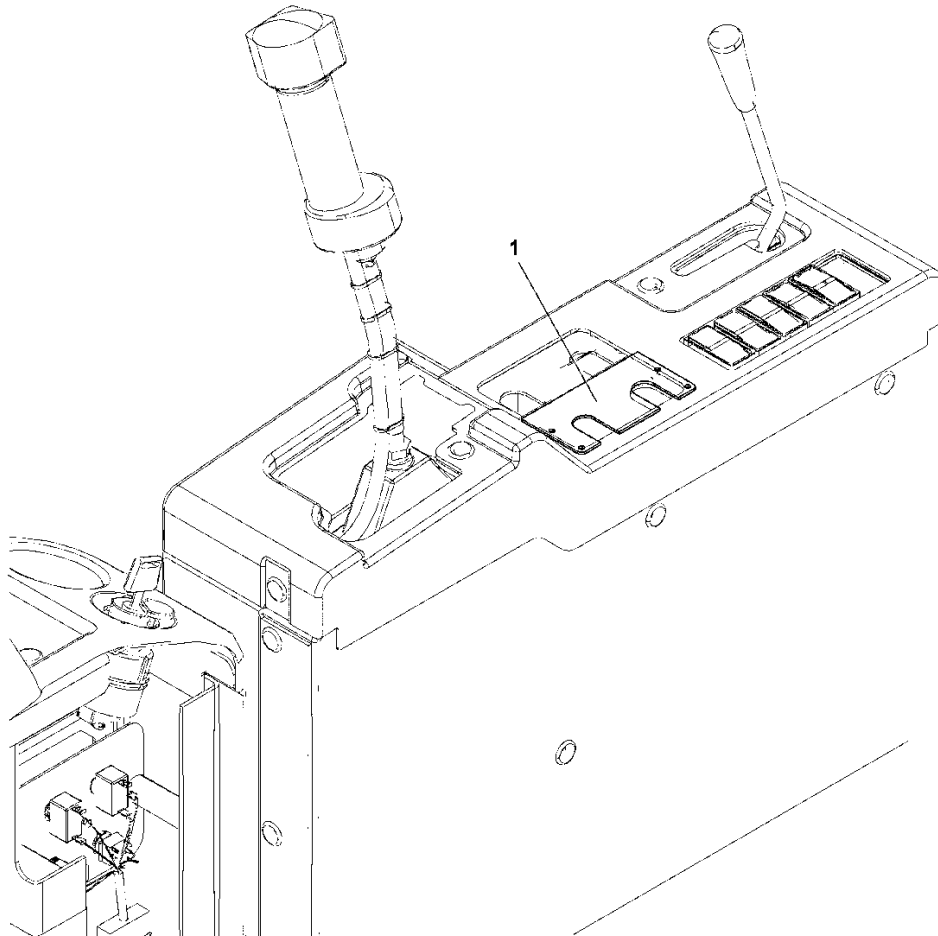
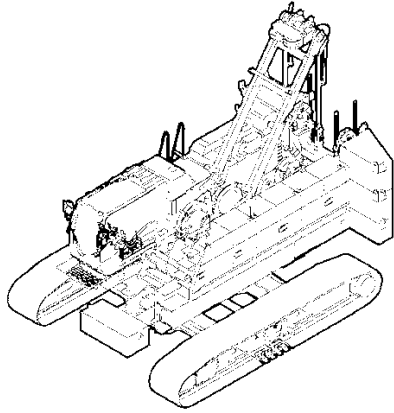
Revision:

Item	FN	Part	Qty	Description
33		9999424856	5	WASHER,
34		9999421387	2	LOCK WASHER
35		9999402657	1	PLATE
36		9999424860	2	WASHER,
37		9999424855	4	WASHER,
38		9999408020	1	VALVE ASSY
39		9999424767	3	CAPSCREW
40		9999424867	3	LOCK WASHER
41		9999408706	1	ELBOW, 90
42		9999424474	1	CONNECTOR
43		9999408701	1	CONNECTOR
44		9999424706	1	CAPSCREW
45		9999408131	1	SWITCH, PRESSURE

Manitowoc

Notes

LOCK ASSY, DRUM
PLATE (LEFT STAND) / THIRD / OPT.



Manitowoc

Description

LOCK ASSY, DRUM PLATE LH STAND / 3RD

Assembly No.

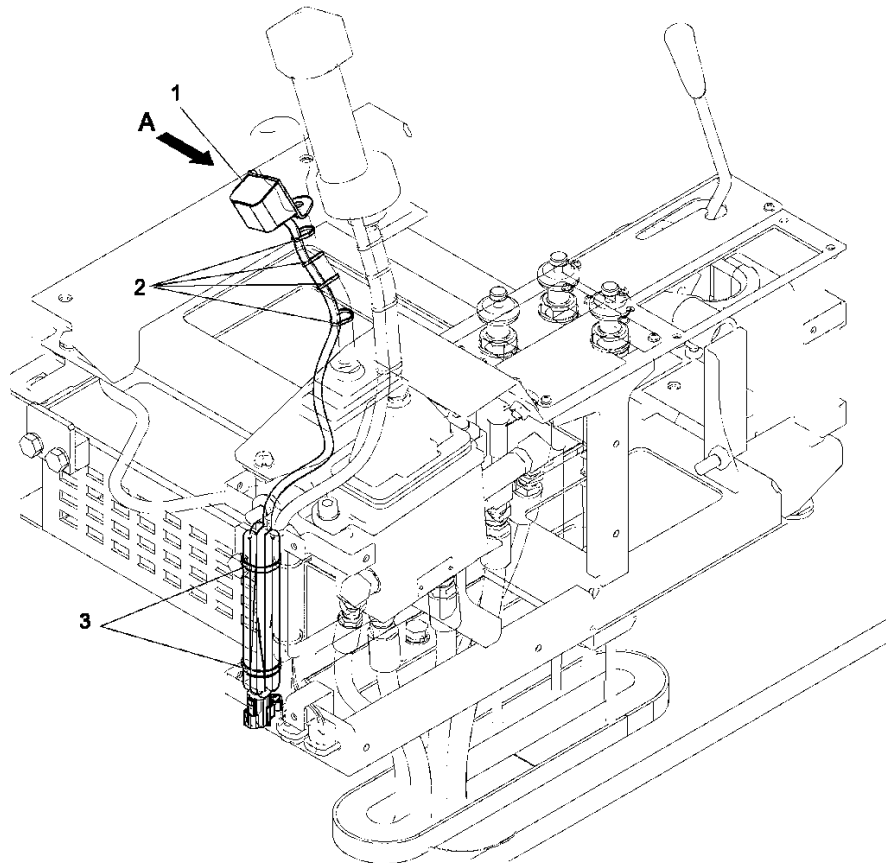
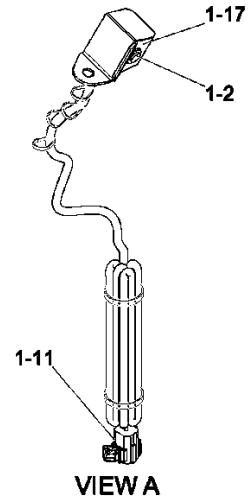
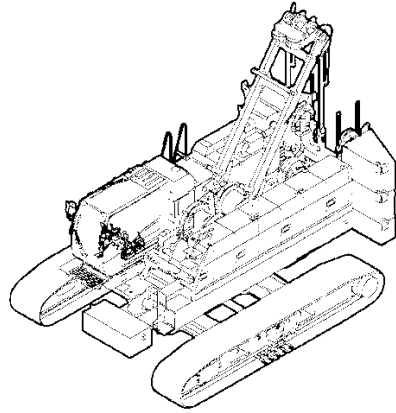
9999430943

Revision:

Item	FN	Part	Qty	Description
1		9999427971	1	PLATE

Manitowoc

SWITCH INSTAL THIRD WINCH FREE FALL SELECTOR / WITH FREE FALL / THIRD / OPT.



Manitowoc

Description

SWITCH INSTAL 3RD WINCH FREE FALL SELECTOR

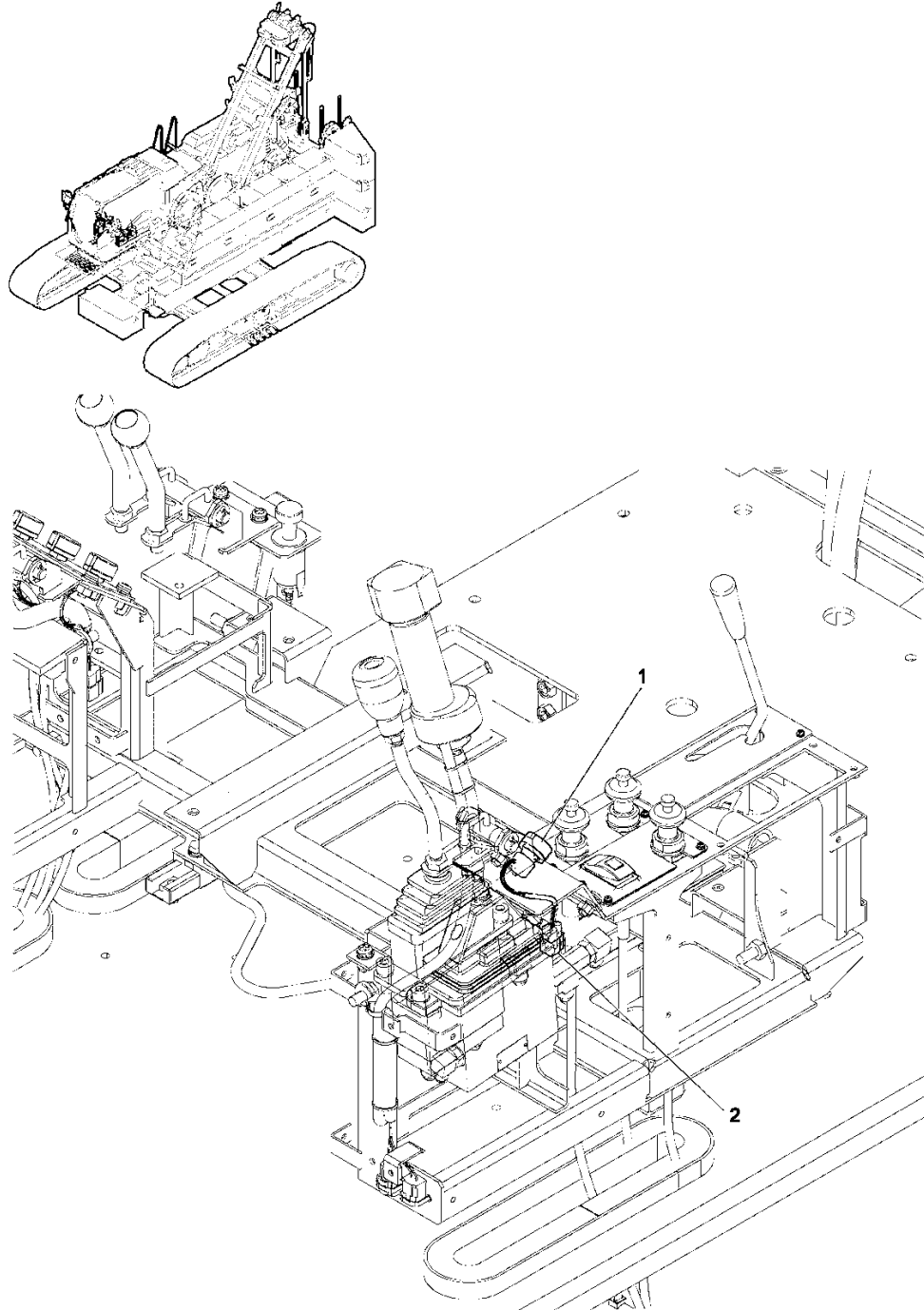
Assembly No.

9999430964

Revision:

Item	FN	Part	Qty	Description
1		9999423565	1	SWITCH ASSY
1-2		9999430089	1	SWITCH
1-11		9999422676	1	CLAMP
1-17		9999422640	1	BRACKET
2		9999406272	4	CLIP
3		9999406274	2	CLIP

POTENTIOMETER TRIMMER INSTAL / THIRD / OPT.



Manitowoc

Description

POTENTIOMETER TRIMMER INSTAL / 3RD

Assembly No.

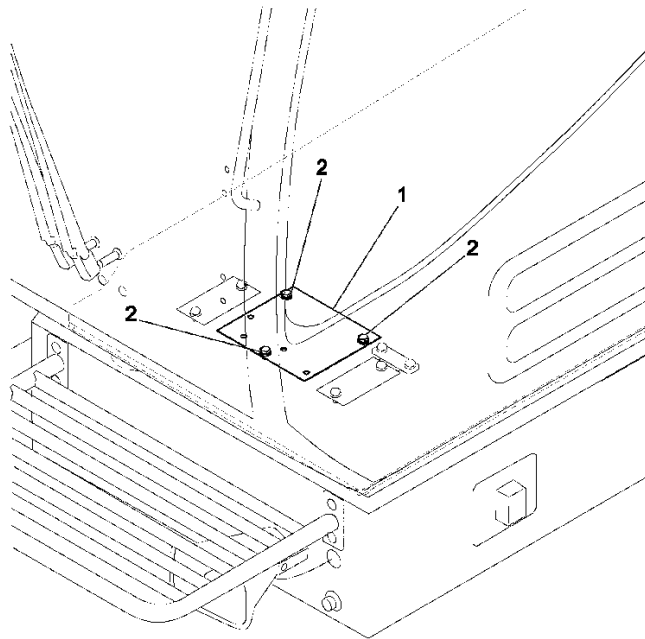
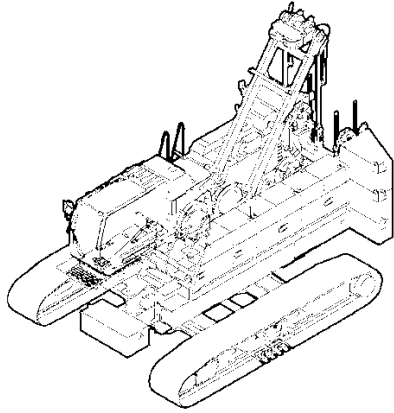
9999430980

Revision:

Item	FN	Part	Qty	Description
1		9999406839	1	GRIP
2		9999424245	1	POTENTIOMETER

Manitowoc

CONTROLS, OPERATORS
FRONT, REAR PEDAL HOLE COVER / WITHOUT FREE FALL



Manitowoc

Description

**CNTRLS, OPERATORS FRT, RR PEDAL HOLE COVER
W/O FREE FALL**

Assembly No.

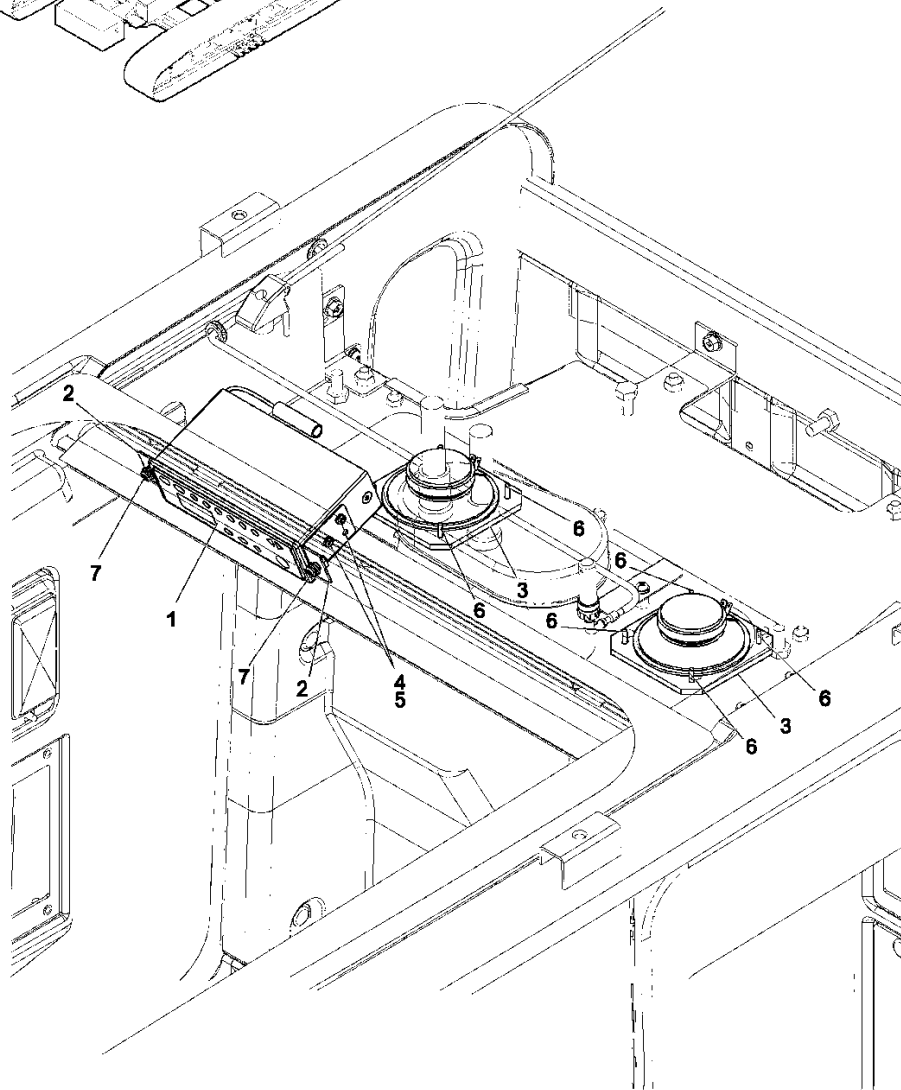
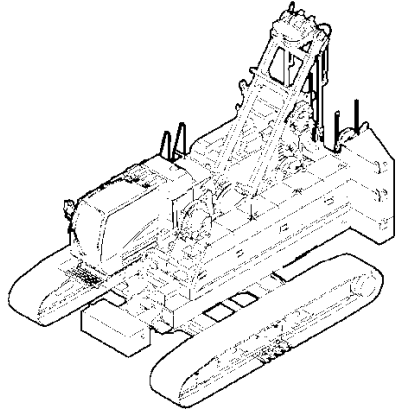
9999430839

Revision:

Item	FN	Part	Qty	Description
1		9999431307	1	COVER
2		9999432209	3	SEMS-BOLT

Manitowoc

RADIO INSTAL
FOR USA / OPT.



Manitowoc

Description

RADIO INSTAL FOR USA

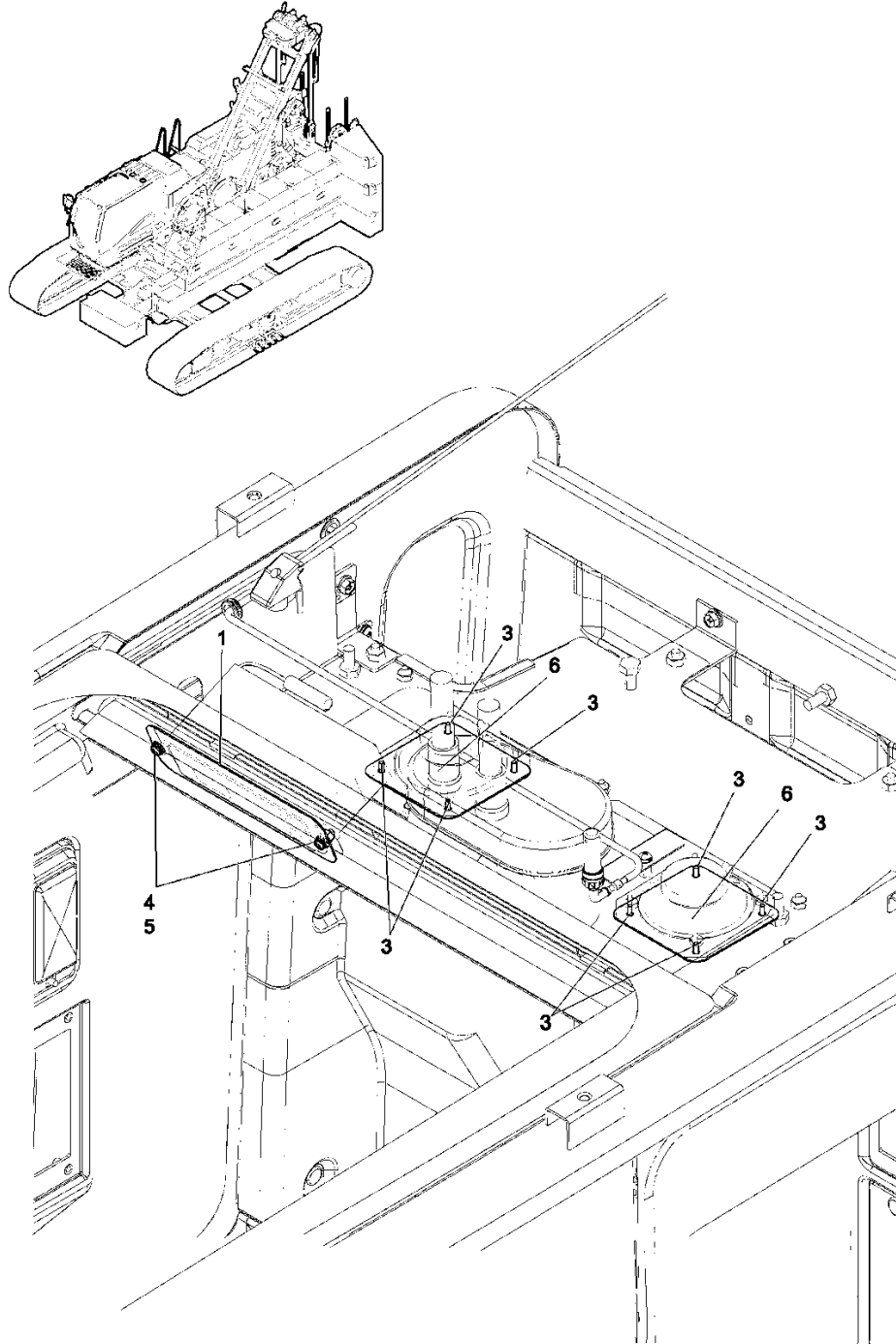
Assembly No.

9999430991

Revision:

Item	FN	Part	Qty	Description
1		9999430151	1	RADIO
2		9999424252	2	BRACKET
3		9999429501	2	SPEAKER
4		9999424874	4	LOCK WASHER
5		9999424789	4	MACHINE SCREW
6		9999422318	8	MACHINE SCREW
7		9999424537	2	SEMS-BOLT

RADIO INSTAL RADIO HOLE COVER / STD.



Manitowoc

Description

RADIO INSTAL HOLE COVER / STD

Assembly No.

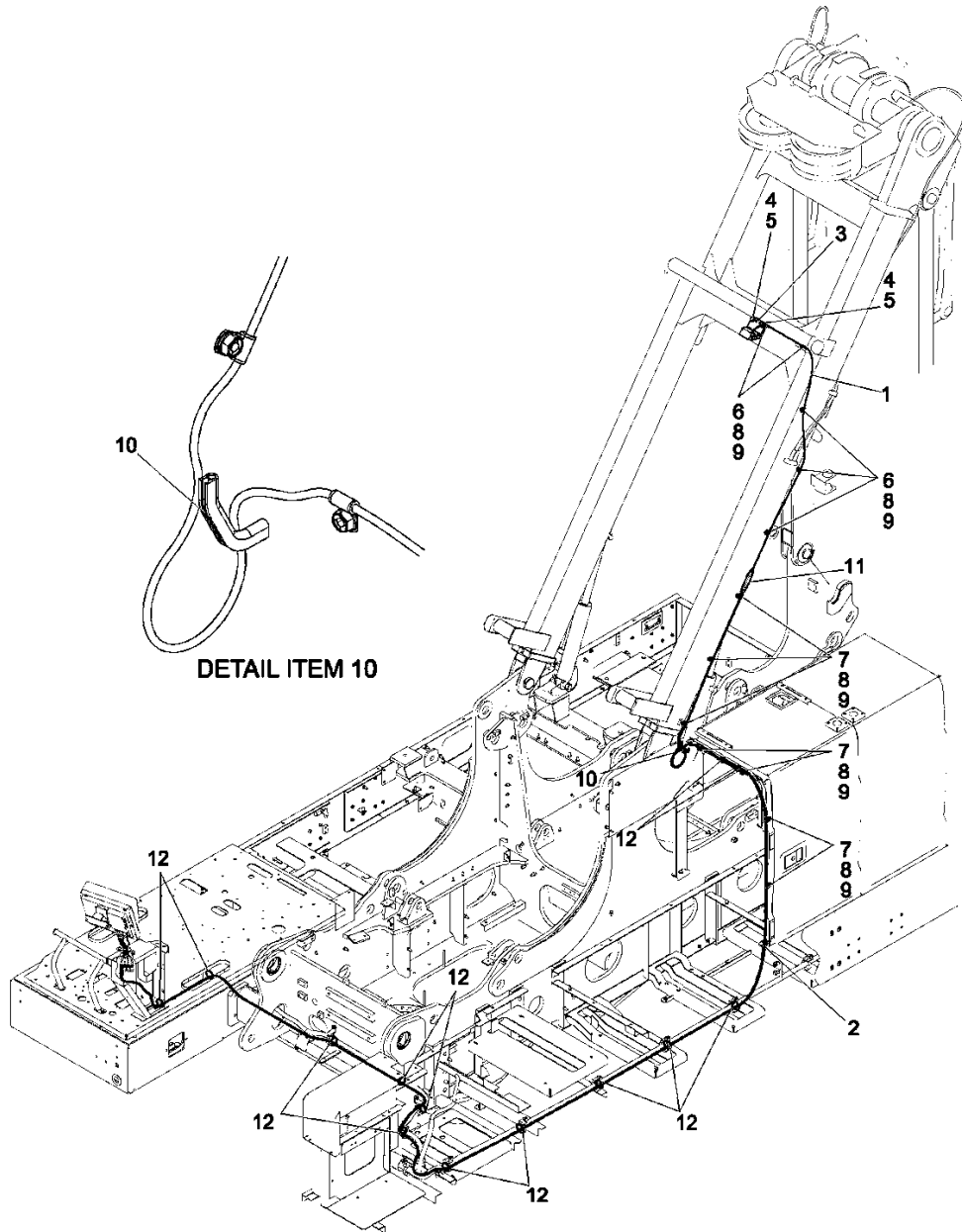
9999430992

Revision:

Item	FN	Part	Qty	Description
1		9999431932	1	COVER
3		9999424533	8	SEMS-BOLT
4		9999424537	2	SEMS-BOLT
5		9999421346	2	NUT
6		9999431243	2	COVER

Manitowoc

CAMERA INSTAL
FOR FRONT, REAR DRUM / OPT.



Manitowoc

Description

CAMERA INSTAL FOR FRT, RR DRUM

Assembly No.

9999430997

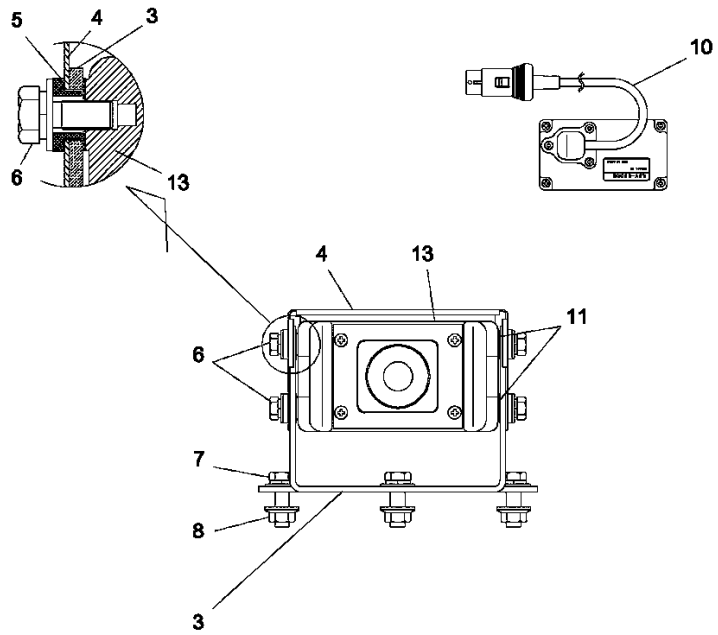
Revision:

Item	FN	Part	Qty	Description
1	+	9999430770	1	CAMERA ASSY
2		9999432182	1	CABLE
3		9999427738	1	BRACKET
4		9999424510	2	SEMS-BOLT
5		9999422194	2	WASHER,
6		9999425318	5	CLIP
7		9999406254	7	CLIP
8		9999419755	12	U-NUT
9		9999424855	12	WASHER,
10		9999431107	1	TRIM
11		9999406339	1	CAP
12		9999406274	13	CLIP

+ SEE FURTHER BREAKDOWN THIS GROUP

Manitowoc

CAMERA
FRONT, REAR, BOOM HOIST DRUM / OPT.



903
REPAIR KIT
- CONSISTS OF ITEM -
13, 10

Manitowoc

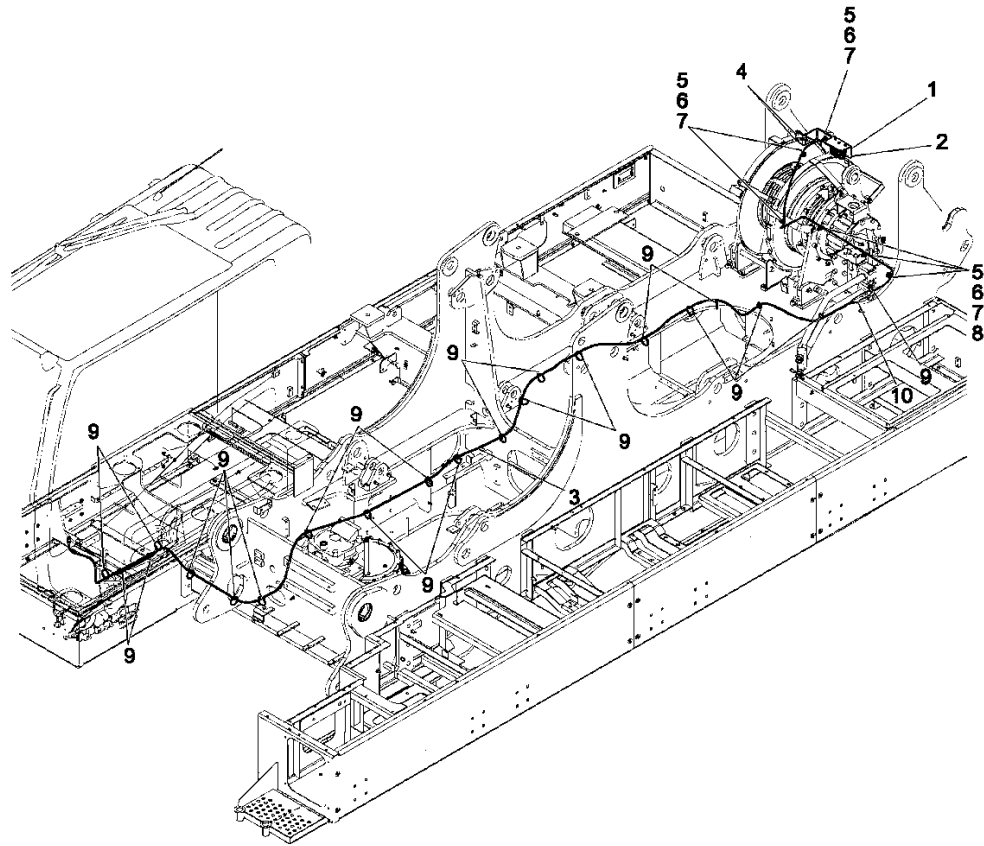
Description
CAMERA ASSY

Assembly No.
9999430770
Revision:

Item	FN	Part	Qty	Description
3		9999425338	1	BRACKET
4		9999425339	1	COVER
5		9999425340	4	INSULATION
6		9999425341	4	SEMS-BOLT
7		9999425342	3	SEMS-BOLT
8		9999425343	3	NUT
11		9999425346	4	WASHER,
903		9999430759	1	REPAIR KIT

Manitowoc

CAMERA INSTAL
FOR BOOM HOIST DRUM / OPT.



Manitowoc

Description

CAMERA INSTAL FOR BOOM HOIST DRUM

Assembly No.

9999430995

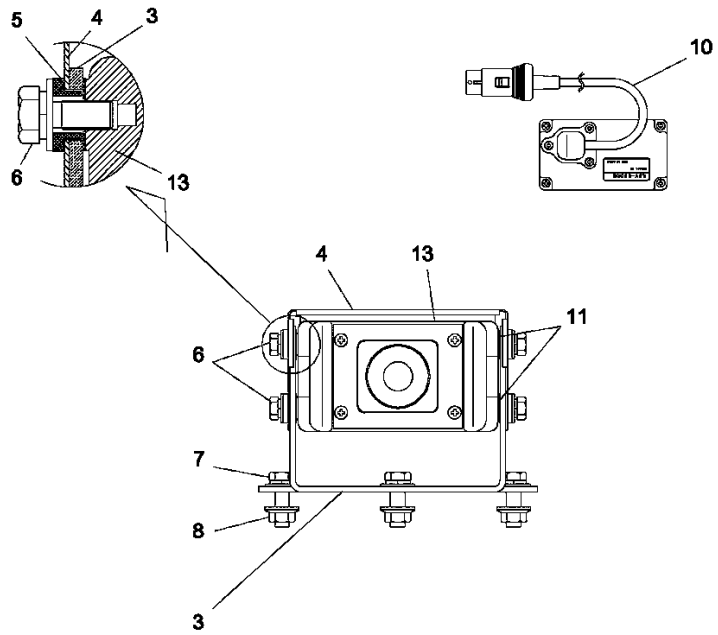
Revision:

Item	FN	Part	Qty	Description
1		9999431935	1	BRKT
2	+	9999430770	1	CAMERA ASSY
3		9999432183	1	CABLE
4		9999432210	2	SEMS-BOLT
5		9999425318	6	CLIP
6		9999408711	6	NUT
7		9999424855	6	WASHER,
8		9999424856	3	WASHER,
9		9999406274	21	CLIP
10		9999406339	1	CAP

+ SEE FURTHER BREAKDOWN THIS GROUP

Manitowoc

CAMERA
FRONT, REAR, BOOM HOIST DRUM / OPT.



903
REPAIR KIT
- CONSISTS OF ITEM -
13, 10

Manitowoc

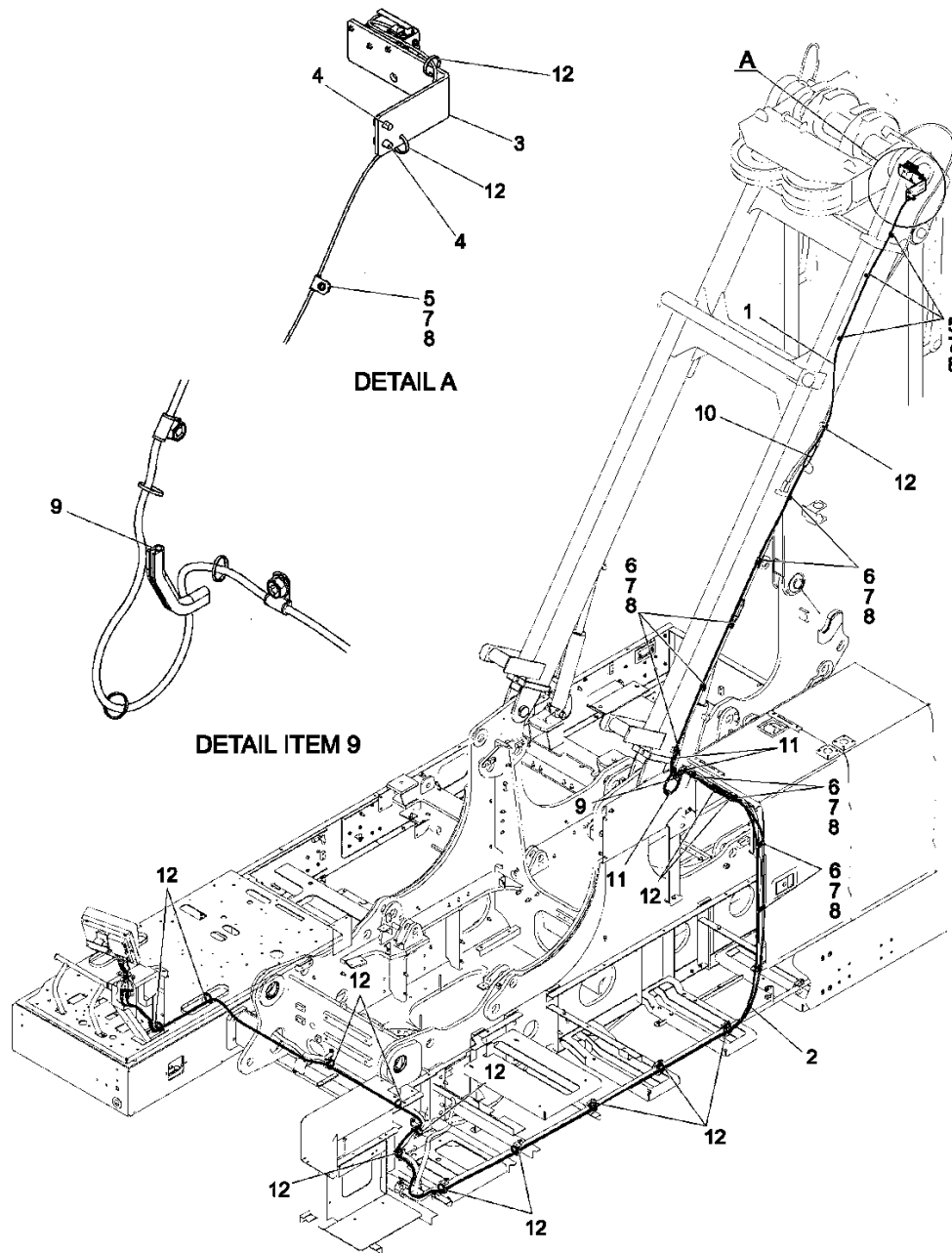
Description
CAMERA ASSY

Assembly No.
9999430770
Revision:

Item	FN	Part	Qty	Description
3		9999425338	1	BRACKET
4		9999425339	1	COVER
5		9999425340	4	INSULATION
6		9999425341	4	SEMS-BOLT
7		9999425342	3	SEMS-BOLT
8		9999425343	3	NUT
11		9999425346	4	WASHER,
903		9999430759	1	REPAIR KIT

Manitowoc

CAMERA INSTAL
FOR REAR / OPT.



Manitowoc

Description

CAMERA INSTAL FOR RR

Assembly No.

9999430996

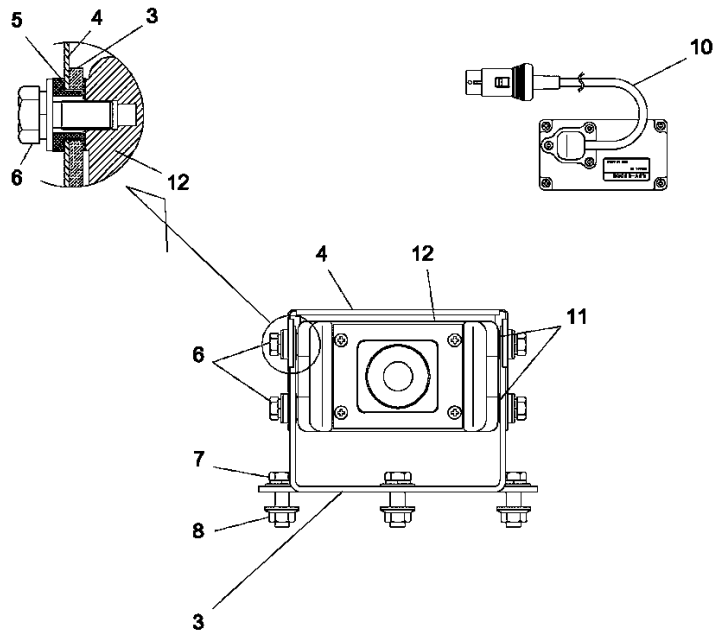
Revision:

Item	FN	Part	Qty	Description
1	+	9999430769	1	CAMERA ASSY
2		9999432182	1	CABLE
3		9999431934	1	BRKT
4		9999432210	2	SEMS-BOLT
5		9999425318	3	CLIP
6		9999406254	9	CLIP
7		9999419755	12	U-NUT
8		9999424855	12	WASHER,
9		9999431107	1	TRIM
10		9999406339	1	CAP
11		9999406272	3	CLIP
12		9999406274	16	CLIP

+ SEE FURTHER BREAKDOWN THIS GROUP

Manitowoc

CAMERA
REAR / OPT.



902
REPAIR KIT
- CONSISTS OF ITEM -
12, 10

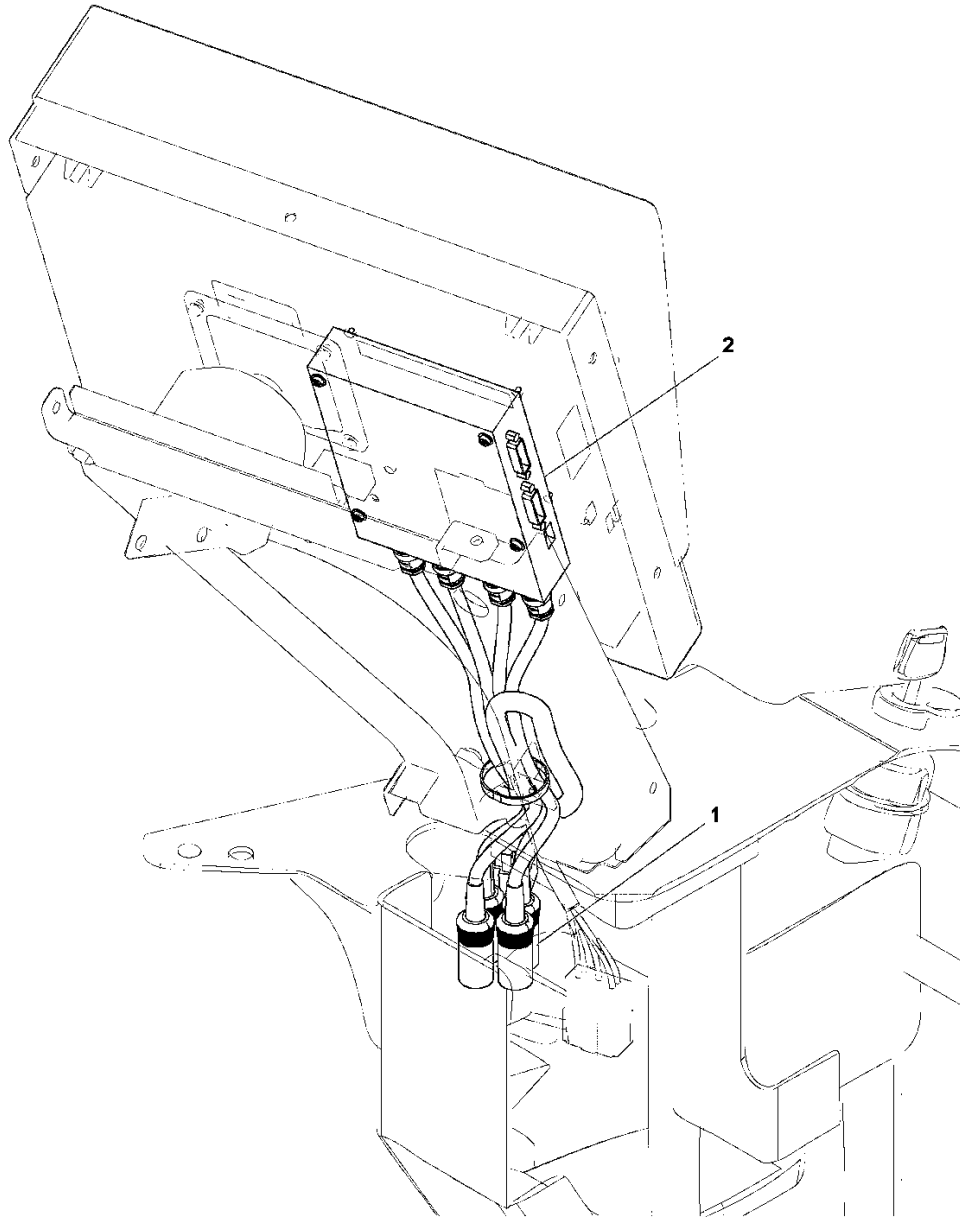
Manitowoc

Description
CAMERA ASSY

Assembly No.
9999430769
Revision:

Item	FN	Part	Qty	Description
3		9999425338	1	BRACKET
4		9999425339	1	COVER
5		9999425340	4	INSULATION
6		9999425341	4	SEMS-BOLT
7		9999425342	3	SEMS-BOLT
8		9999425343	3	NUT
11		9999425346	4	WASHER,
902		9999430758	1	REPAIR KIT

CONTROLLER INSTAL FOR CAMERA / OPT.



Manitowoc

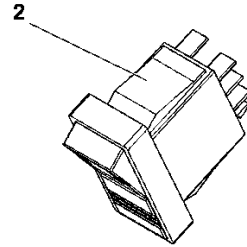
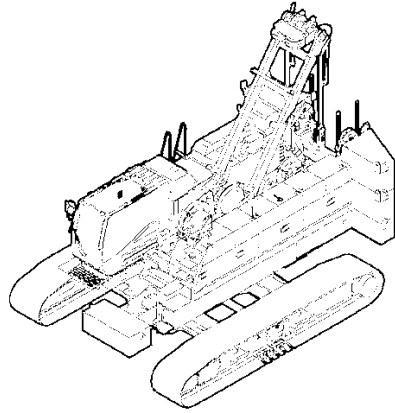
Description
CNTRLLER INSTAL FOR CAMERA

Assembly No.
9999430901
Revision:

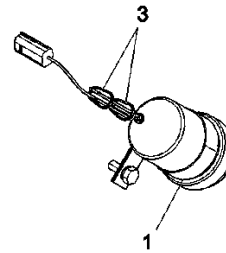
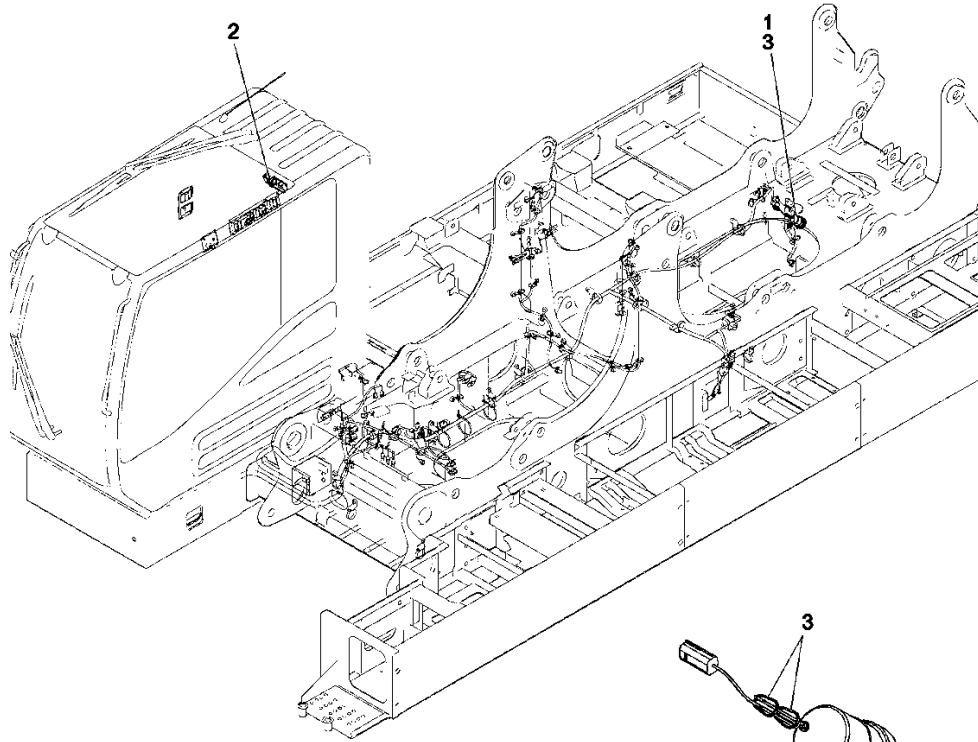
Item	FN	Part	Qty	Description
1		9999431387	1	HARNESS
2		9999431568	1	CNTRLLER

Manitowoc

ALARM ASSY, BACK
OPT.



DETAIL ITEM 2



DETAIL ITEM 1

Manitowoc

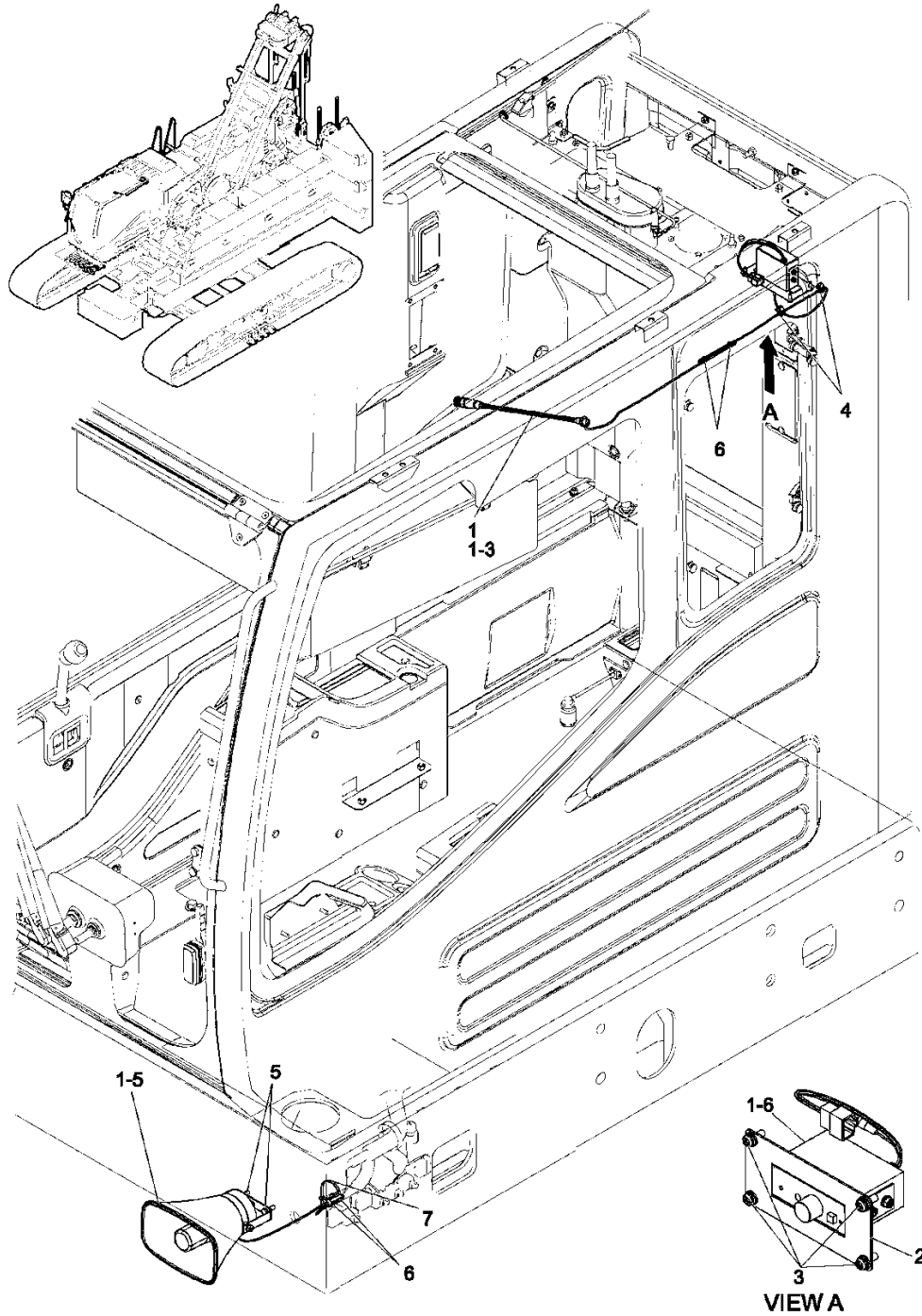
Description
ALARM ASSY, BACK

Assembly No.
9999430981
Revision:

Item	FN	Part	Qty	Description
1		9999430014	1	HORN
2		9999431834	1	SWITCH
3		9999406272	2	CLIP

Manitowoc

CALL ASSY, ONE-WAY
OPT.



Manitowoc

Description
CALL ASSY, ONE-WAY

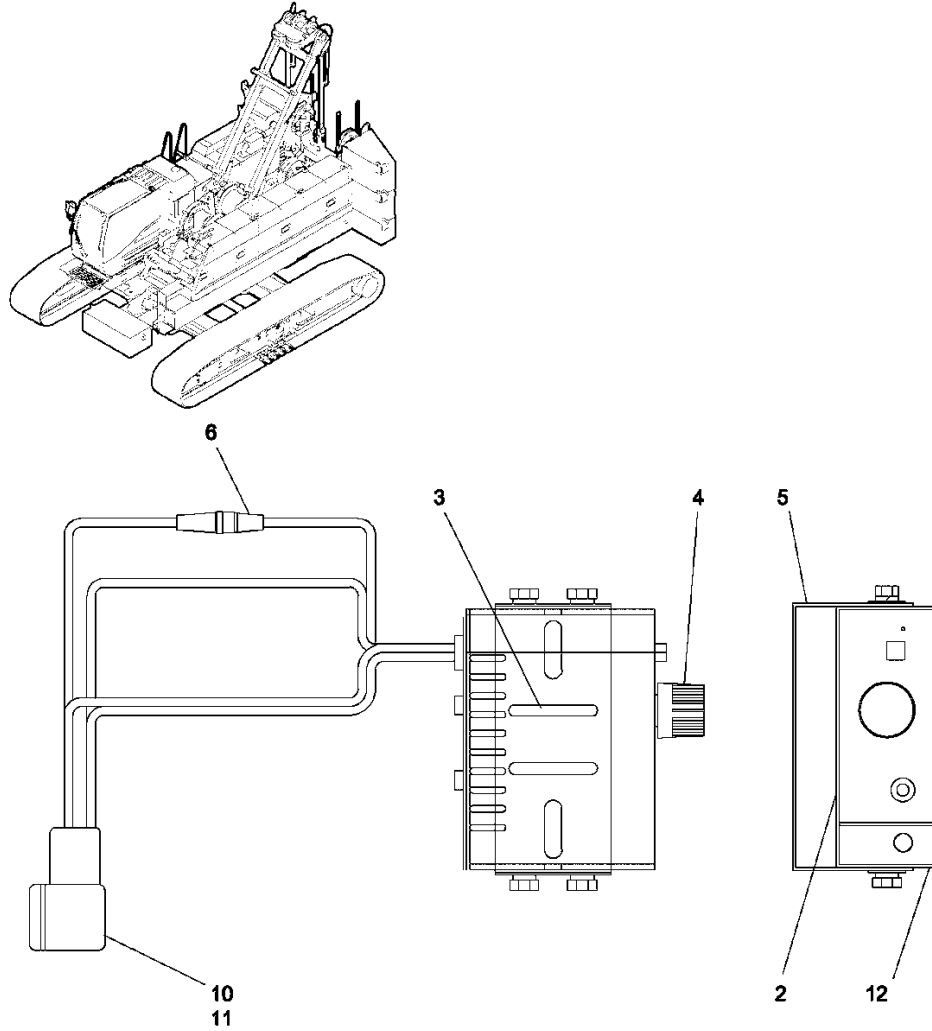
Assembly No.
9999430994
Revision:

Item	FN	Part	Qty	Description
1		9999427397	1	AMPLIFIER
1-3		9999407368	1	MICROPHONE
1-5		9999421256	1	SPEAKER
1-6	+	9999427359	1	AMPLIFIER
2		9999407366	1	BRACKET
3		9999424537	4	SEMS-BOLT
4		9999407365	2	CLIP
5		9999424509	2	SEMS-BOLT
6		9999406272	4	CLIP
7		9999406274	1	CLIP

+ SEE FURTHER BREAKDOWN THIS GROUP

Manitowoc

AMPLIFIER
ONE-WAY CALL / OPT.



7, 8, 9 : NOT SHOWN

Manitowoc

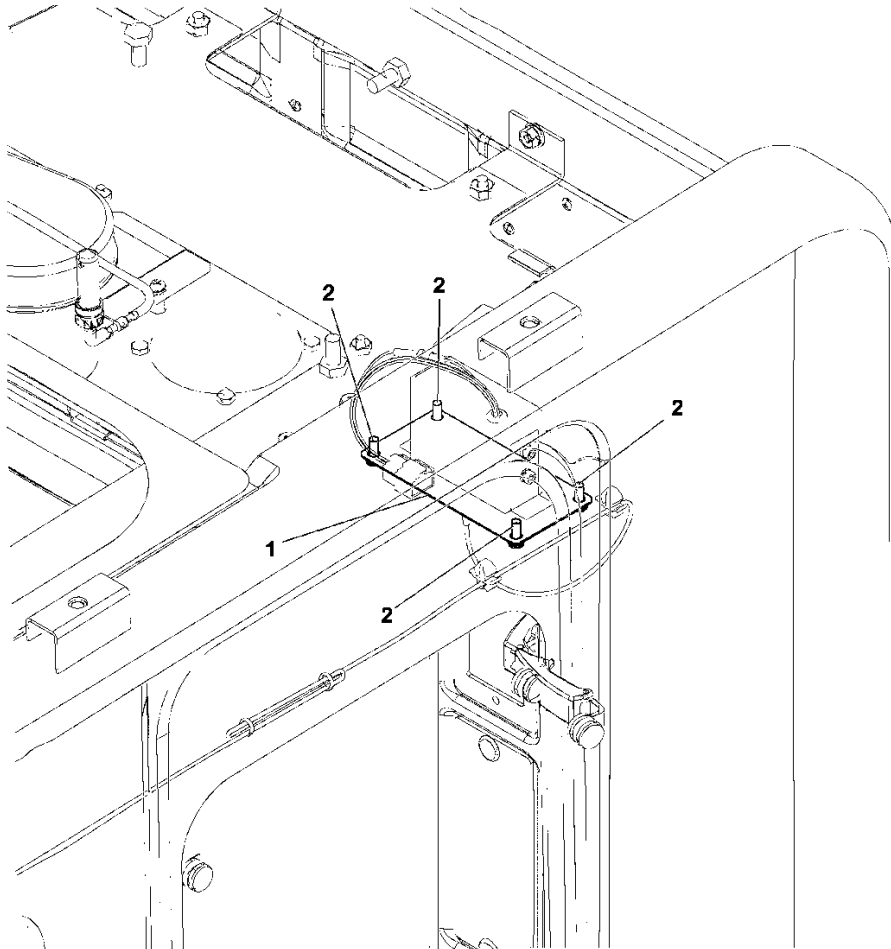
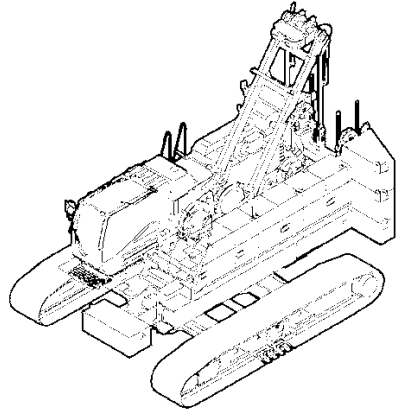
Description
AMPLIFIER

Assembly No.
9999427359
Revision:

Item	FN	Part	Qty	Description
2		9999430020	1	CASE
3		9999430021	1	AMPLIFIER
4		9999430022	1	PANEL
5		9999430023	1	BAND
6		9999430024	1	CABLE
7		9999430025	1	POTENTIOMETER
8		9999430026	1	ROM
9		9999430027	1	SWITCH
10		9999430007	1	CONNECTOR
11		9999405756	4	TERMINAL
12		9999430028	1	BASE

Manitowoc

CALL ASSY, ONE-WAY
COVER / STD.



Manitowoc

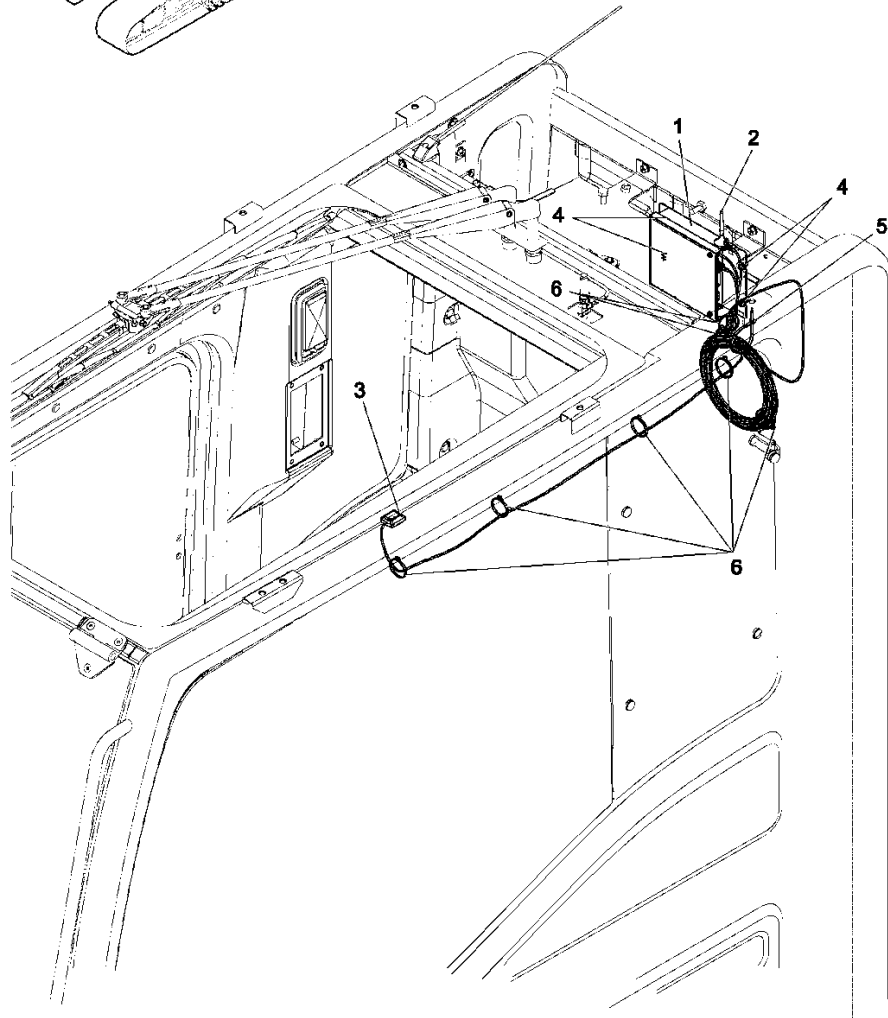
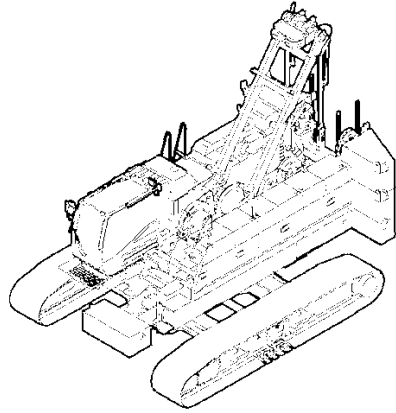
Description
CALL ASSY, ONE-WAY COVER / STD

Assembly No.
9999430993
Revision:

Item	FN	Part	Qty	Description
1		9999425416	1	COVER
2		9999424537	4	SEMS-BOLT

Manitowoc

CONTROLLER ASSY
IT CONTROLLER / STD.



Manitowoc

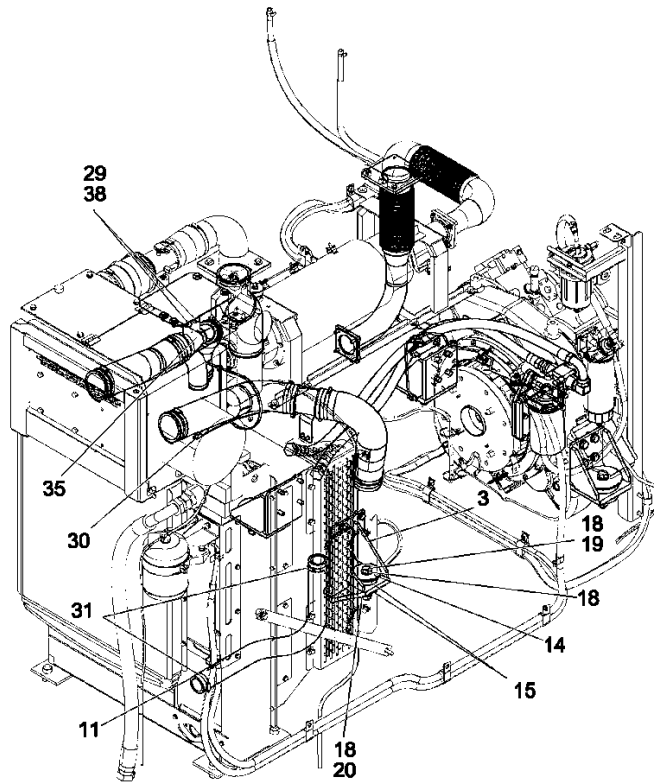
Description
CNTRLLER ASSY IT / STD

Assembly No.
9999430900
Revision:

Item	FN	Part	Qty	Description
1		9999432076	1	CNTRLLER
2		9999432097	1	ANTENNA
3		9999432098	1	ANTENNA
4		9999432202	4	SEMS-BOLT
5		9999406274	1	CLIP
6		9999406273	7	CLIP

Manitowoc

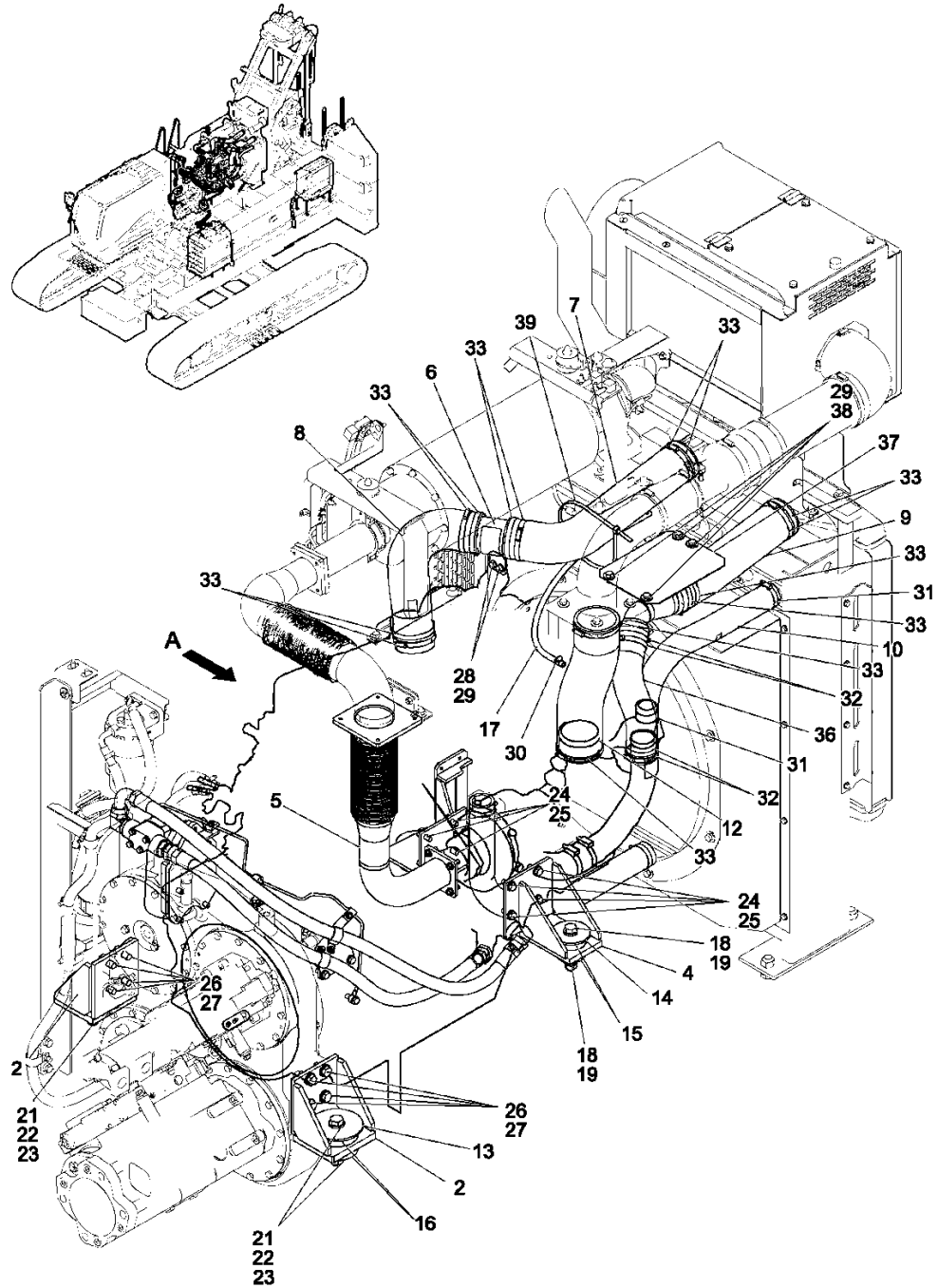
Notes



VIEW A

Manitowoc

ENGINE INSTAL



Manitowoc

Description
ENGINE INSTAL

Assembly No.
9999430821
Revision:

Item	FN	Part	Qty	Description
2		9999431262	2	BRKT
3		9999431261	1	BRKT
4		9999431263	1	BRKT
5		9999431269	1	TUBE
6		9999431268	1	TUBE
7		9999431255	1	HOSE
8		9999431256	1	HOSE
9		9999431264	1	HOSE
10		9999431257	1	HOSE
11		9999431258	1	HOSE
12		9999431259	1	HOSE
13		9999431260	2	WSHR
14		9999401808	2	PLATE
15		9999431080	4	RUBBER
16		9999431081	4	RUBBER, MTG
17		9999432066	1	HOSE
18		9999428821	4	WASHER,
19		9999428820	2	CAPSCREW
20		9999428815	2	NUT
21		9999424833	4	WASHER,
22		9999424665	2	CAPSCREW
23		9999424546	2	NUT
24		9999424831	8	WASHER,
25		9999428819	8	CAPSCREW
26		9999424832	8	WASHER,
27		9999424657	8	CAPSCREW
28		9999424855	2	WASHER,
29		9999424693	8	BOLT
30		9999424360	2	CLIP
31		9999424364	4	CLIP
32		9999424365	4	CLAMP
33		9999424368	14	CLIP
35		9999431266	1	TUBE
36		9999431265	1	HOSE

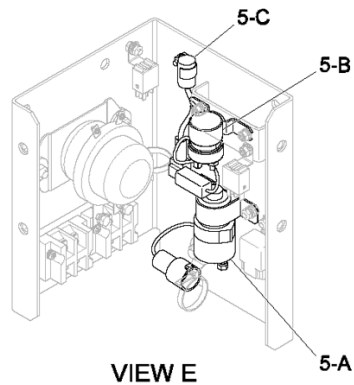
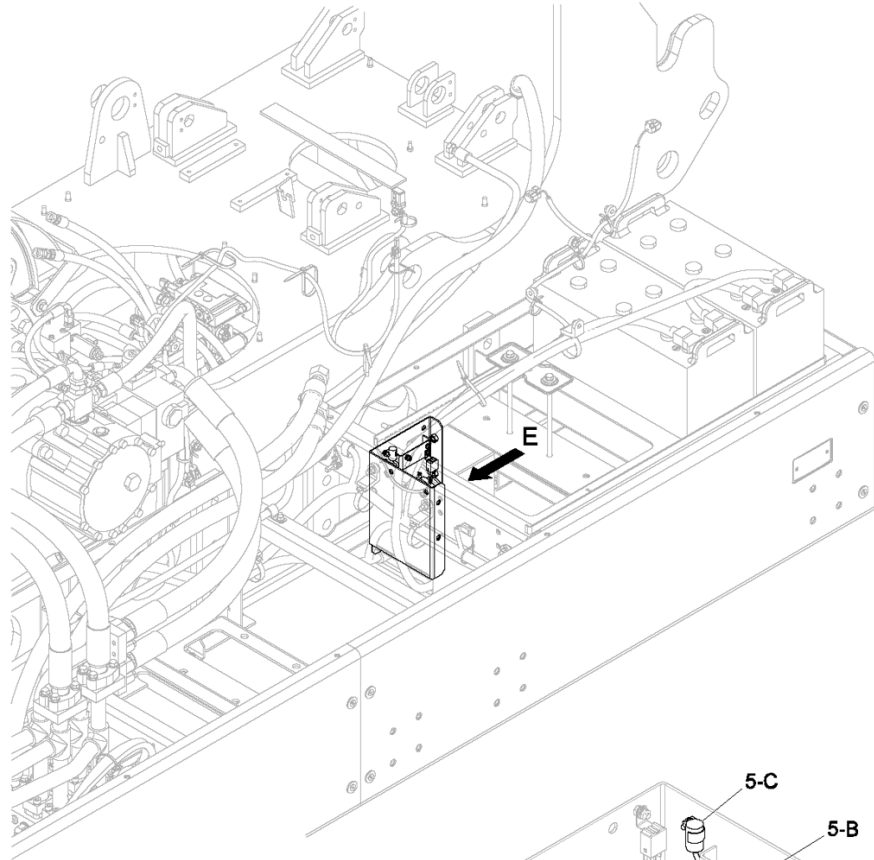
Manitowoc

Description
ENGINE INSTAL

Assembly No.
9999430821
Revision:

Item	FN	Part	Qty	Description
37		9999431267	1	BRKT
38		9999422194	6	WASHER,
39		9999425222	1	CLIP

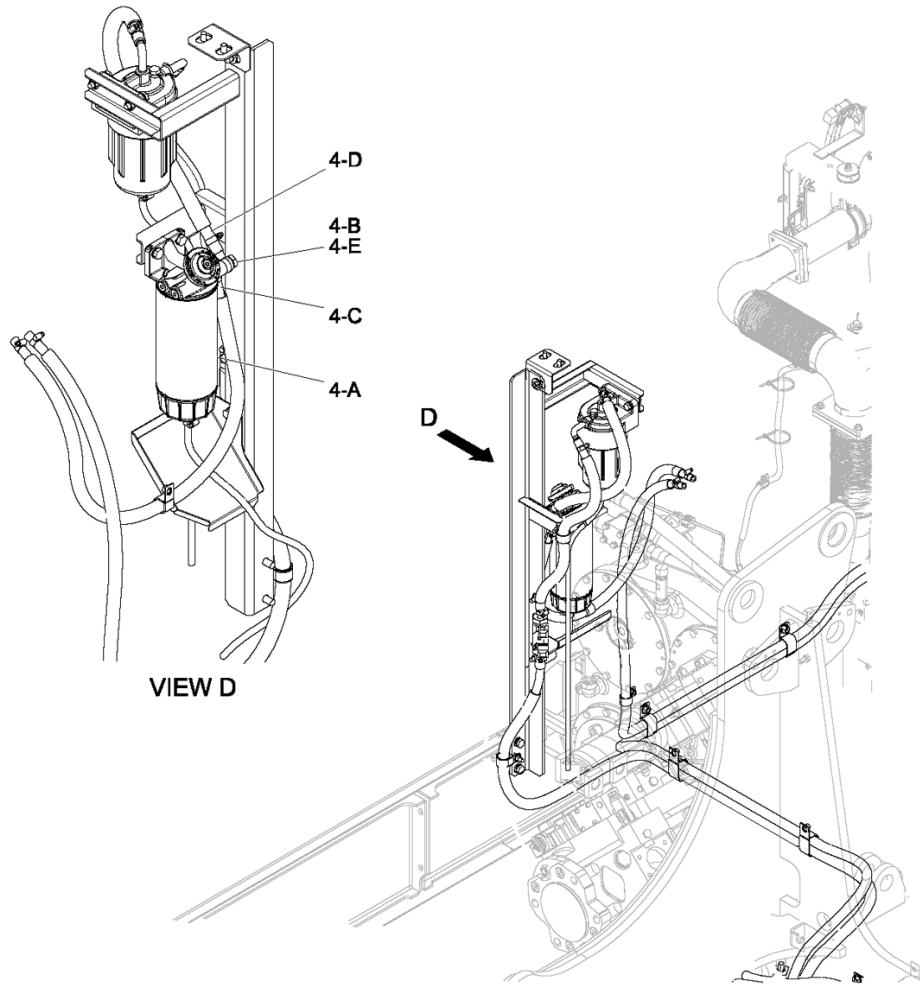
Manitowoc



VIEW E

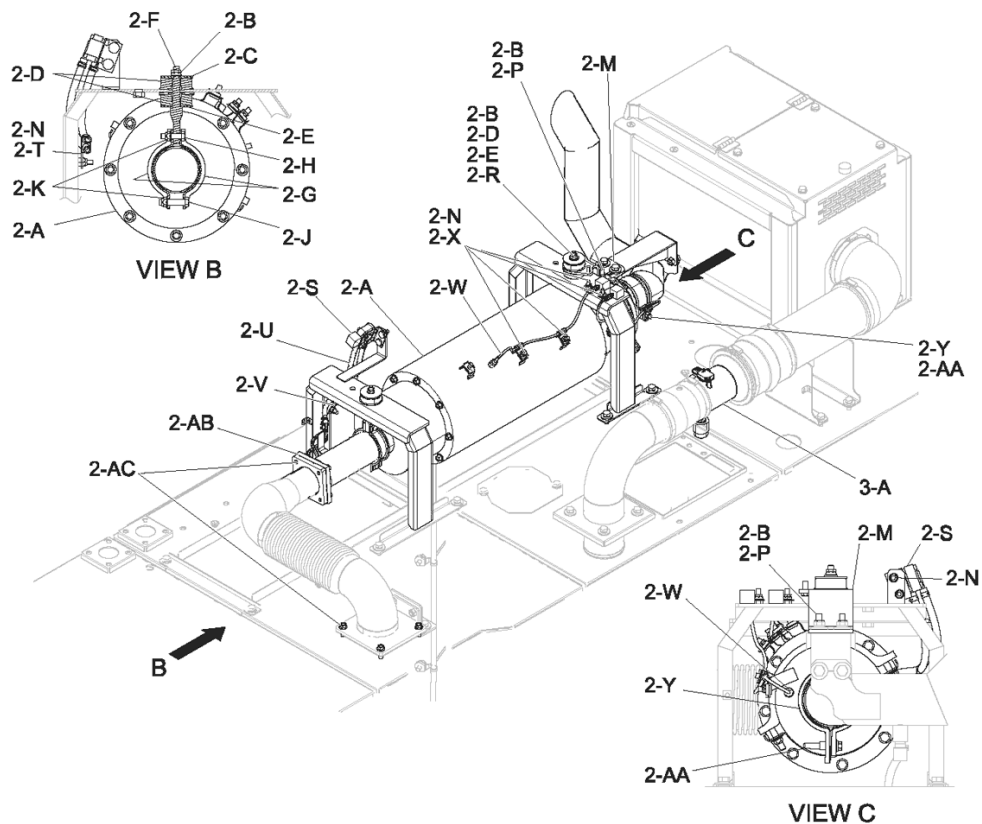
ITEM	NAME OF PART	QTY
5-A	RELAY	1
5-B	RELAY	1
5-C	RELAY	1

Manitowoc



ITEM	NAME OF PART	Q'TY
4-A	FILTER ASSY	1
4-B	WASHER, SOFT	4
4-C	PIPE, FULL	1
4-D	PIPE, FULL	1
4-E	BOLT	2

Manitowoc



ITEM	NAME OF PART	QTY
2-A	FILTER ASSY, PARTICULATE	1
2-B	NUT, FLANGE	4
2-C	PLATE	1
2-D	CUSHION SUB ASSY, EXH PIPE	4
2-E	PLATE	2
2-F	SUPPORT, EXH PIPE	1
2-G	CLAMP, EXH PIPE	2
2-H	BOLT	1
2-J	BOLT	1
2-K	NUT, LOCK	2
2-M	HANGER ASSY	1
2-N	NUT, FLANGE	9

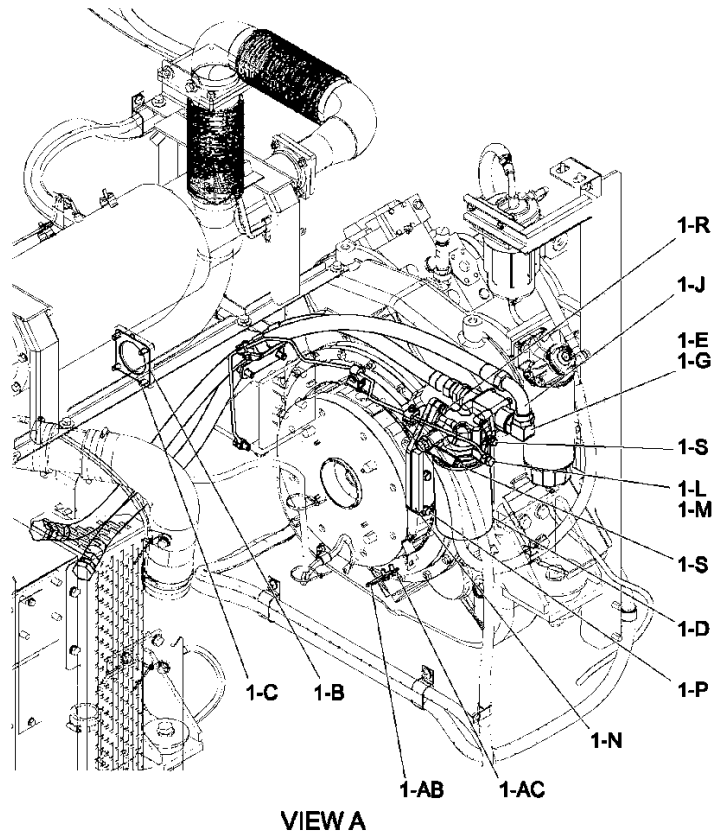
3-A	PIPE ASSY, INTAKE	1
-----	-------------------	---

ITEM	NAME OF PART	QTY
2-P	SPACER, MUFF SUPPORT	1
2-R	WASHER, PLAIN	1
2-S	SENSOR ASSY, PRESSURE	1
2-T	CLIP	1
2-U	HOSE ASSY, EXH	1
2-V	CLIP	4
2-W	SENSOR (EXH GAS TEMP)	2
2-X	CLIP SUB ASSY	6
2-Y	CLAMP, EXH PIPE	1
2-AA	BOLT	1
2-AB	GASKET SUB ASSY, EXH MFLD	1
2-AC	BOLT, FLANGE	8

9999430822

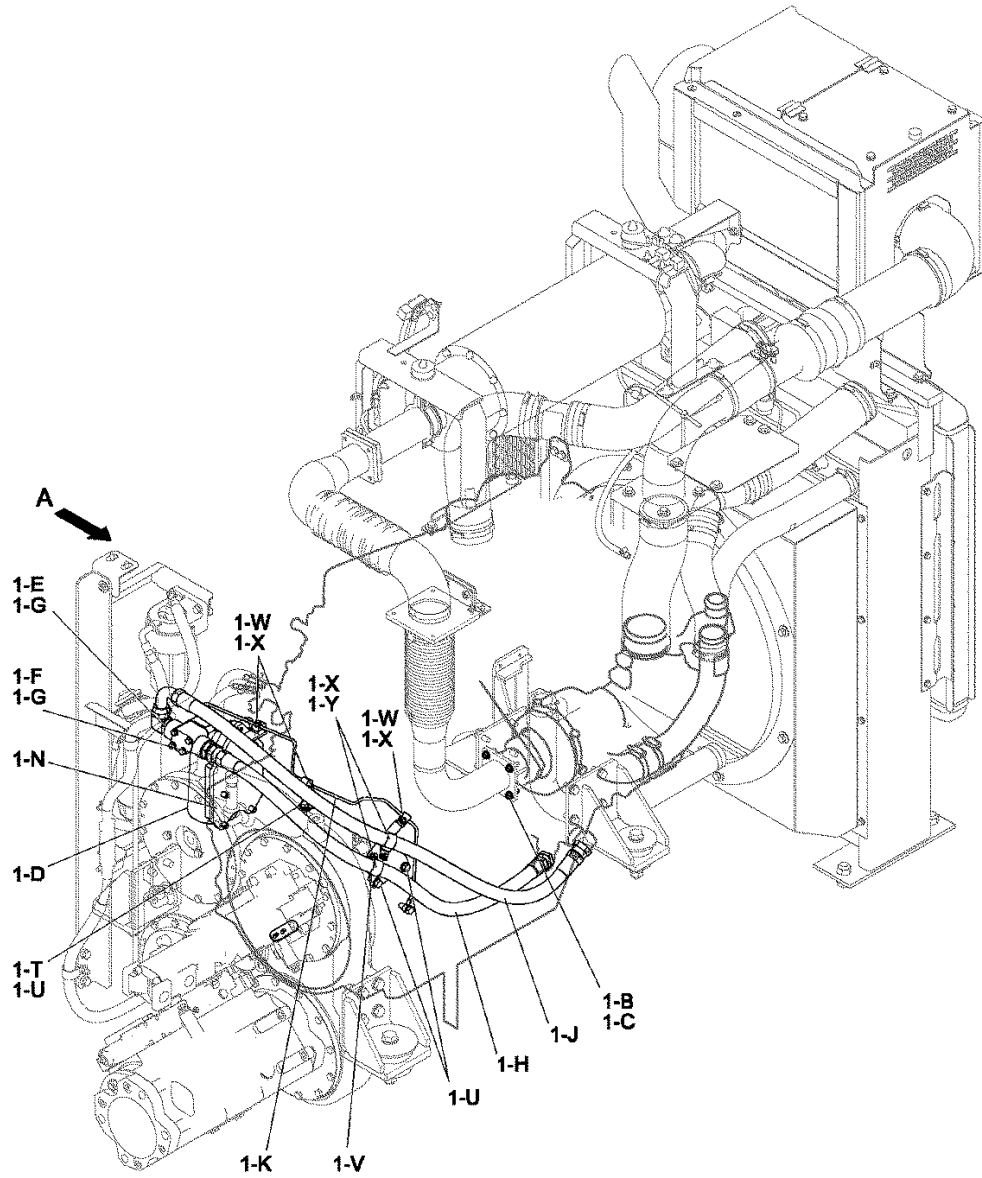
(SHEET 4 OF 6)

Manitowoc

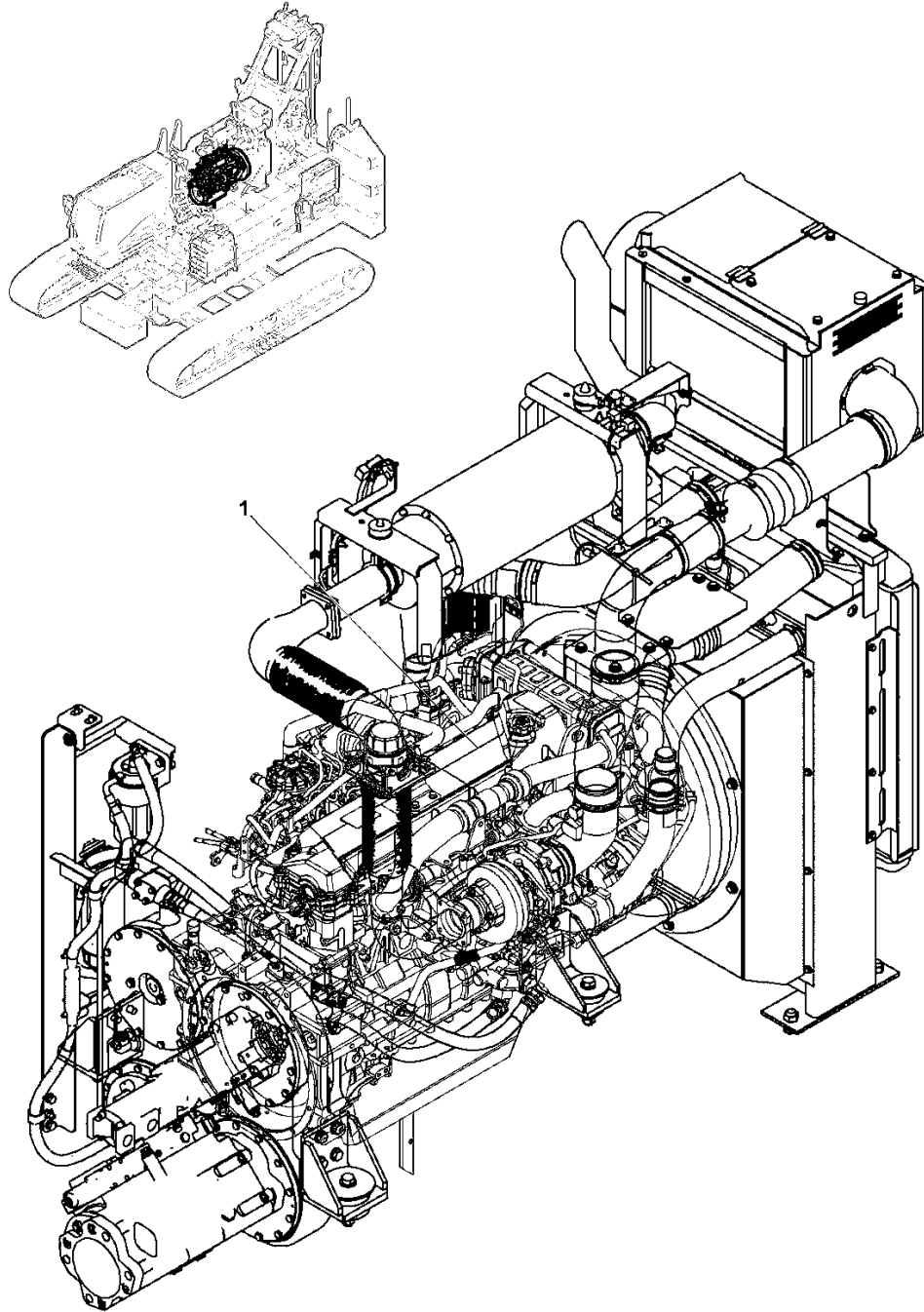


ITEM	NAME OF PART	QTY
1-B	GASKET SUB ASSY, EXH MFLD	1
1-C	BOLT, FLANGE	4
1-D	OIL, FILTER	1
1-E	ELBOW	1
1-F	CONNECTOR, STRAIGHT	1
1-G	O-RING	2
1-H	HOSE SUB ASSY, OIL	1
1-J	HOSE SUB-ASSY	1
1-K	PIPE SUB-ASSY, OIL FILTER OUTLET	1
1-L	BOLT	2
1-M	WASHER, SOFT	4
1-N	BRACKET SUB-ASSY, OIL FILTER	1

ITEM	NAME OF PART	QTY
1-P	BOLT, W/WASHER	4
1-R	BOLT, FLANGE	1
1-S	BOLT, FLANGE	2
1-T	BRACKET, OIL PIPE CLAMP	1
1-U	BOLT, FLANGE	3
1-V	BRACKET, OIL PIPE CLAMP	1
1-W	CLIP SUB ASSY	6
1-X	NUT	5
1-Y	CLIP SUB ASSY	2
1-AB	COVER FLYWHEEL HOUSING SIDE	1
1-AC	BOLT	2



ENGINE, HINO



Manitowoc

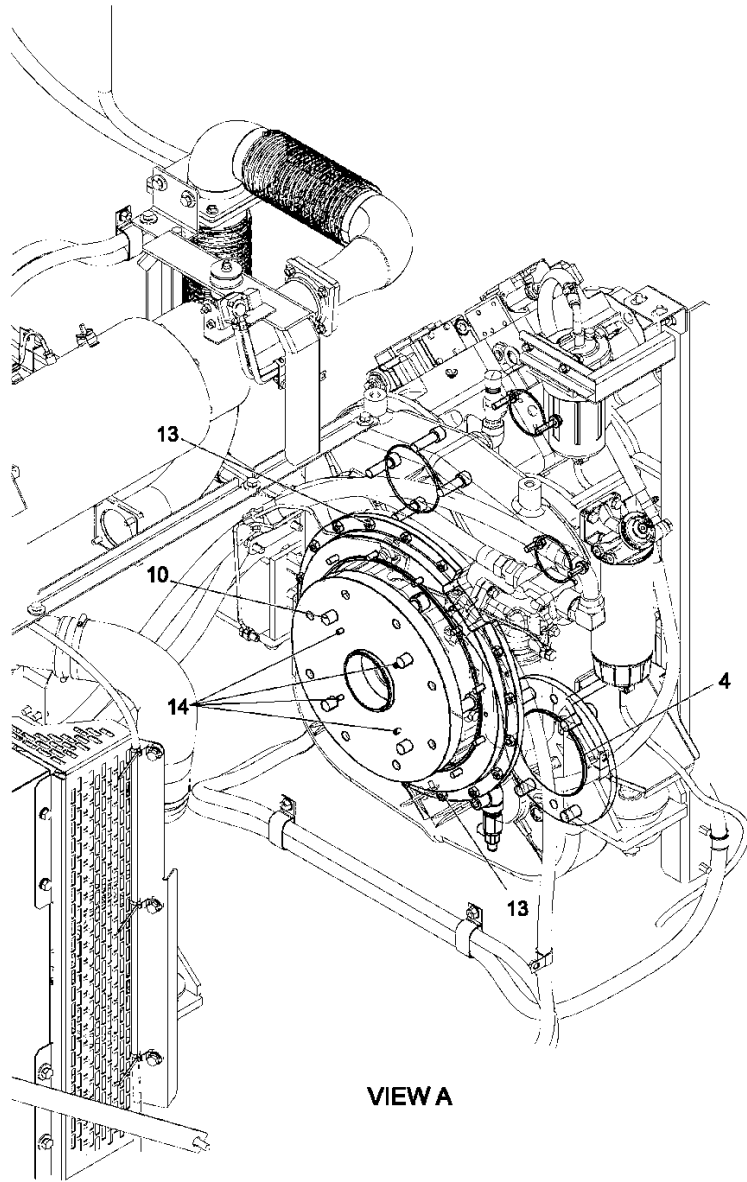
Description
ENGINE, HINO

Assembly No.
9999430822
Revision:

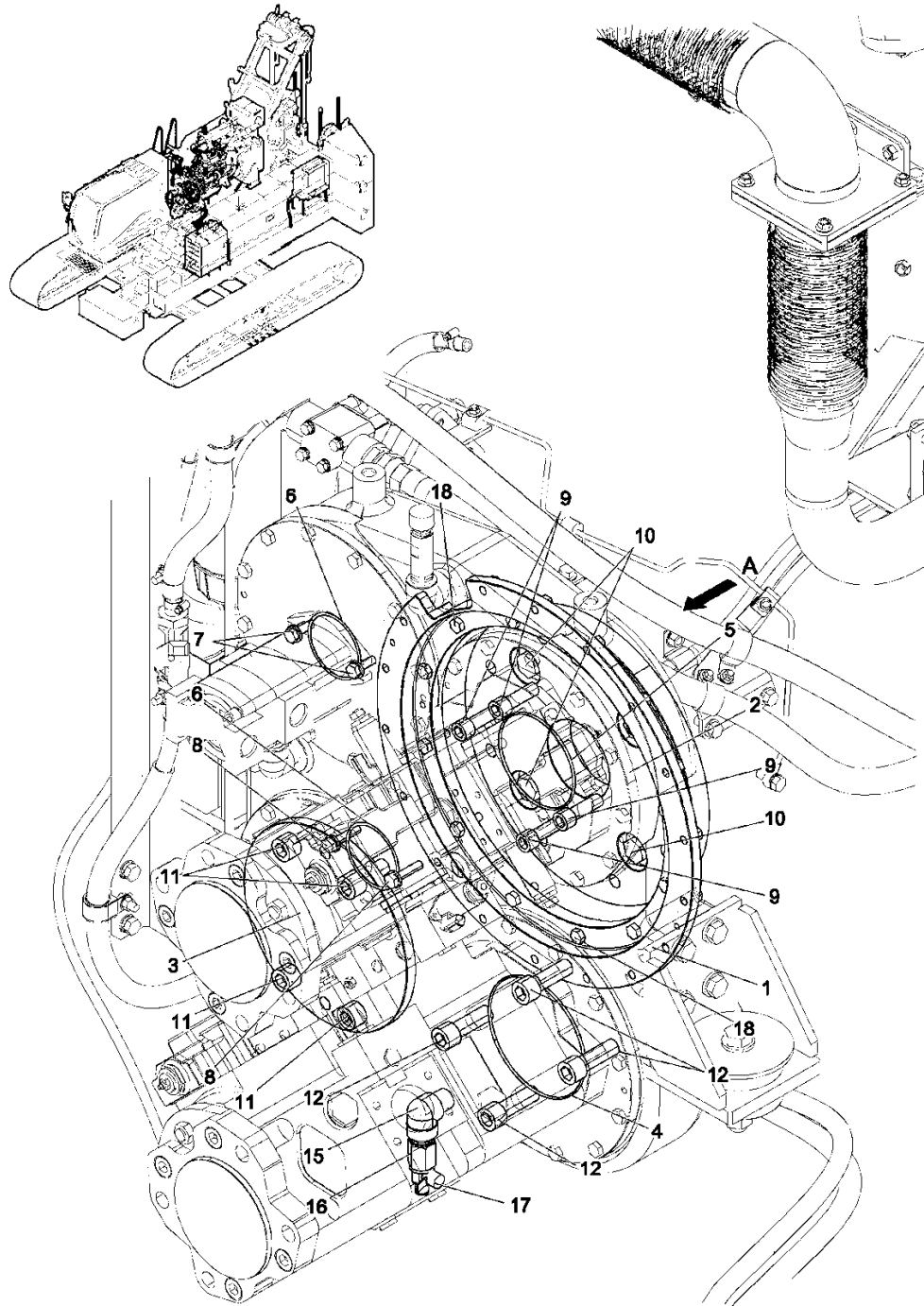
Item	FN	Part	Qty	Description
1		9999431254	1	ENGINE, HINO

Manitowoc

Notes



DRIVE ASSY, PUMP



Manitowoc

Description
DRIVE ASSY, PUMP

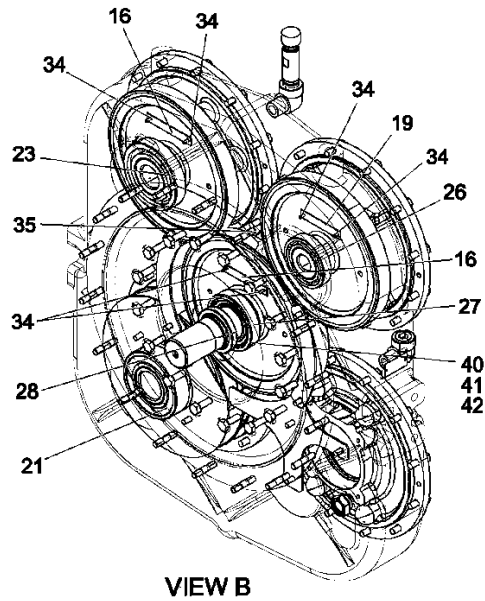
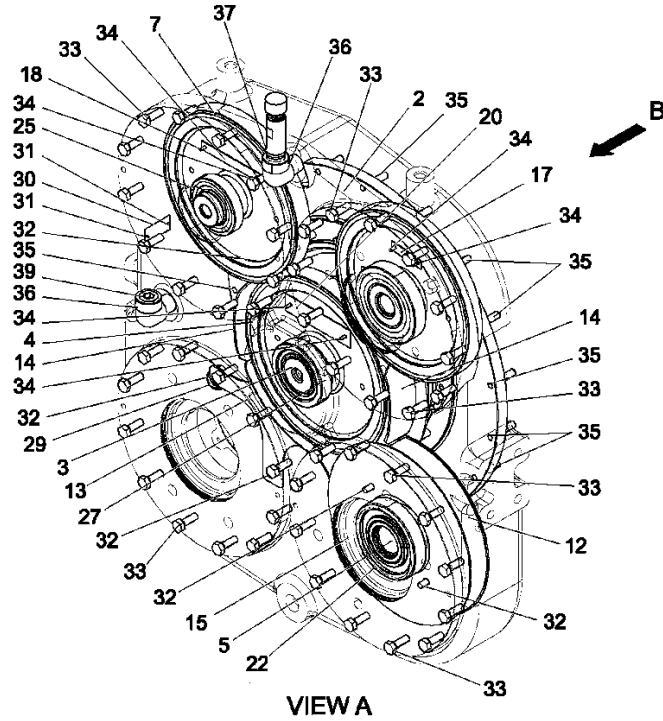
Assembly No.
9999430922
 Revision:

Item	FN	Part	Qty	Description
1		9999431688	1	STAND
2		9999431687	1	PLATE
3		9999431727	1	PLATE
4		9999407139	2	O-RING
5		9999424043	1	O-RING
6		9999405327	2	O-RING
7		9999432212	2	SEMS-BOLT
8		9999432213	2	SEMS-BOLT
9		9999424778	4	CAPSCREW
10		9999421357	4	CAPSCR
11		9999432238	4	CAPSCR
12		9999424781	4	CAPSCREW
13		9999424572	17	NUT
14		9999424619	4	PIN, SPRING
15		9999426462	1	ELBOW, 90
16		9999407118	1	CONNECTOR
17		9999431179	1	COCK, DRAIN
18		9999432225	12	CAPSCR

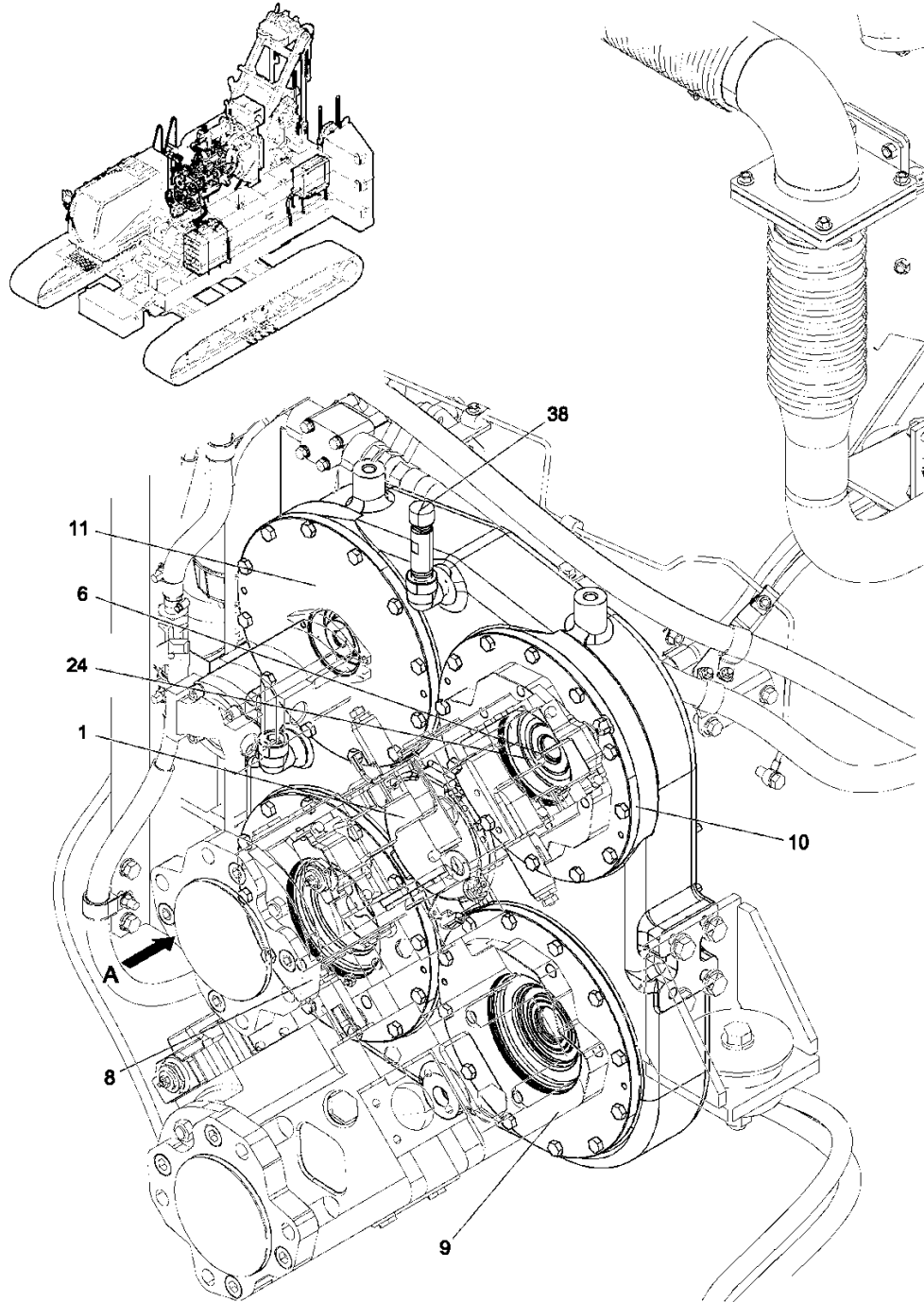
Manitowoc

Notes

Manitowoc



POWER DIVIDER



Manitowoc

Description

POWER DIVIDER ASSY

Assembly No.

9999430944

Revision:

Item	FN	Part	Qty	Description
1		9999431740	1	HSG
2		9999431743	1	STAND
3		9999431742	1	SHAFT
4		9999431719	1	GEAR
5		9999431720	1	GEAR
6		9999431721	1	GEAR
7		9999431722	1	GEAR
8		9999431732	1	SUPPORT
9		9999431729	1	SUPPORT
10		9999431733	1	SUPPORT
11		9999431730	1	SUPPORT
12		9999431737	1	PLATE
13		9999431739	1	PLATE
14		9999431738	2	PLATE
15		9999431731	1	PLATE
16		9999432041	2	PLATE
17		9999431736	1	PLATE
18		9999432042	1	PLATE
19		9999431734	1	PLATE
20		9999431735	1	PLATE
21		9999431155	1	BRG
22		9999422615	1	BEARING, ROLLER
23		9999422608	1	BEARING, ROLLER
24		9999427933	1	BEARING
25		9999432137	1	BRG, BALL
26		9999431162	1	BRG, BALL
27		9999431726	2	BRG, ROLLER
28		9999402814	1	OIL SEAL
29		9999423684	1	GAUGE, LEVEL, OIL
30		9999423552	1	PLATE
31		9999423849	2	RIVET
32		9999424651	15	CAPSCREW
33		9999428818	64	CAPSCREW
34		9999424784	12	MACHINE SCREW

Manitowoc

Description

POWER DIVIDER ASSY

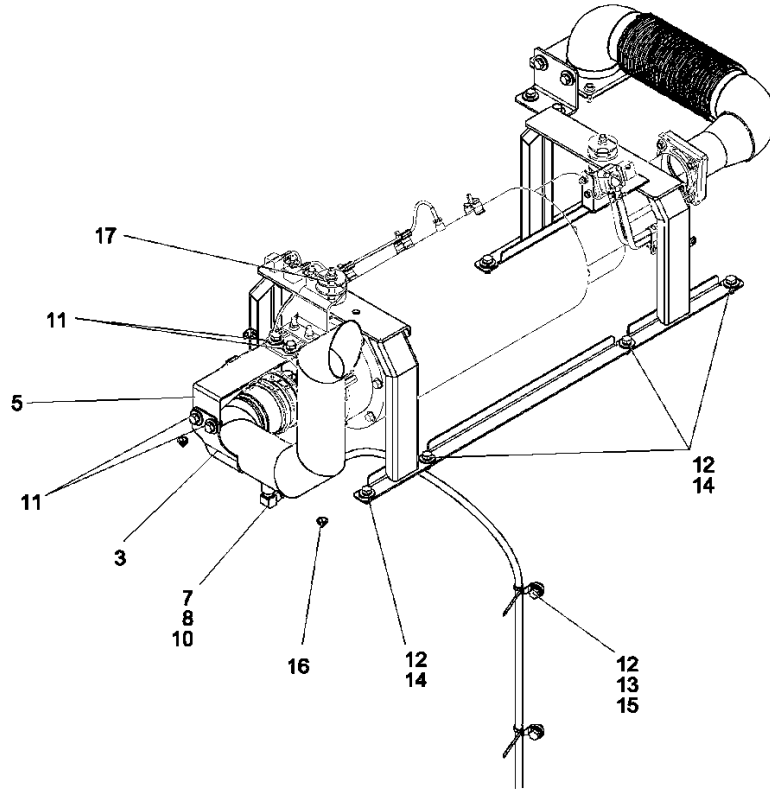
Assembly No.

9999430944

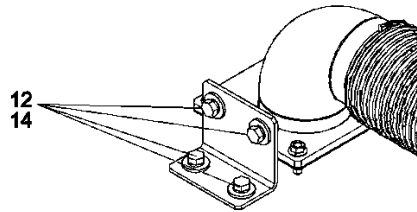
Revision:

Item	FN	Part	Qty	Description
35		9999431741	17	STUD BOLT
36		9999426462	2	ELBOW, 90
37		9999431728	1	TUBE
38		9999419445	1	CAP
39		9999424456	1	PLUG
40		9999431723	1	SHIM
41		9999431724	2	SHIM
42		9999431725	3	SHIM

Manitowoc



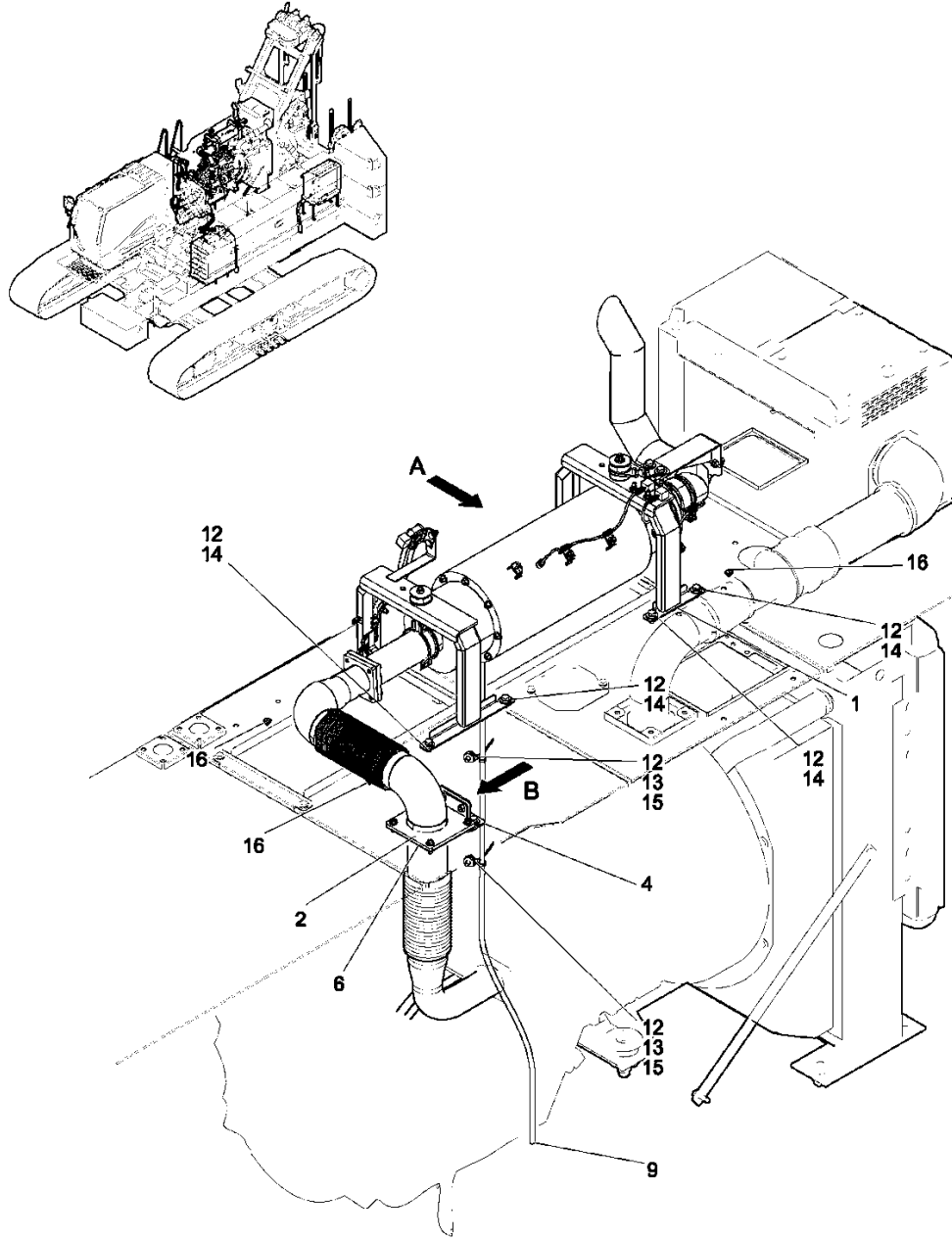
VIEW A



VIEW B

Manitowoc

MUFFLER INSTAL



Manitowoc

Description
MUFFLER INSTAL

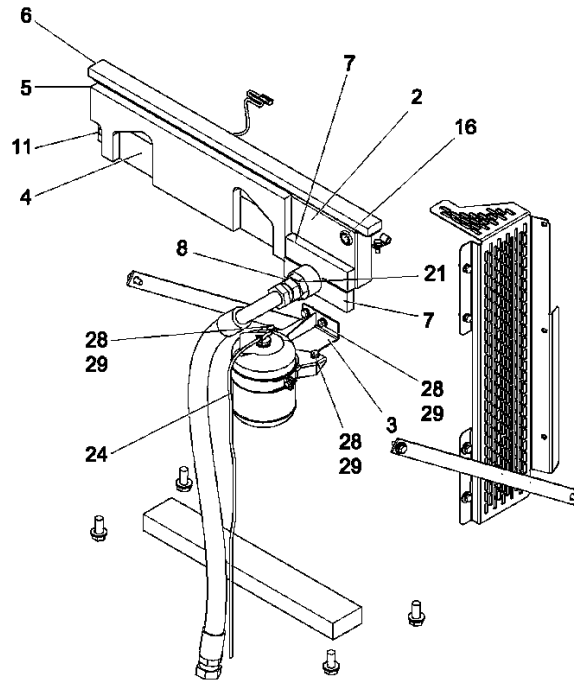
Assembly No.
9999430872
 Revision:

Item	FN	Part	Qty	Description
1		9999431358	1	BRKT
2		9999431361	1	TUBE
3		9999431359	1	TUBE
4		9999431355	1	BRKT
5		9999431357	1	BRKT
6		9999431356	1	GASKET
7		9999430058	1	ELBOW, 90
8		9999423189	1	CONNECTOR
9		9999431137	1	HOSE
10		9999424360	1	CLIP
11		9999424526	4	SEMS-BOLT
12		9999424511	15	SEMS-BOLT
13		9999424855	3	WASHER,
14		9999422194	12	WASHER,
15		9999427940	3	CLIP
16		9999423888	4	PLUG
17		9999431360	1	BOLT

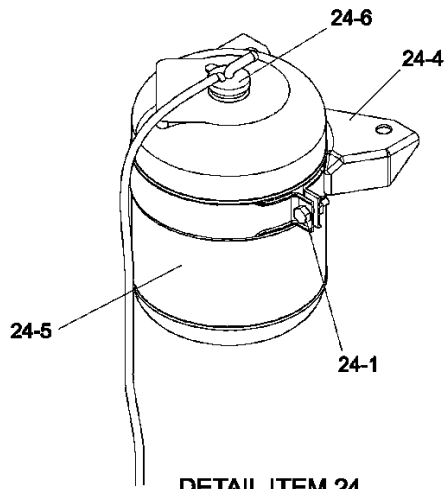
Manitowoc

Notes

Manitowoc



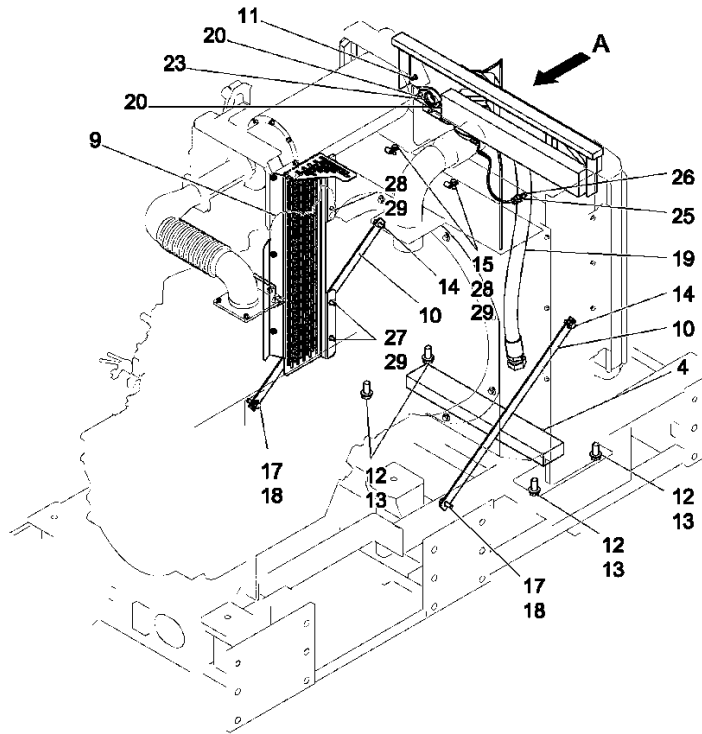
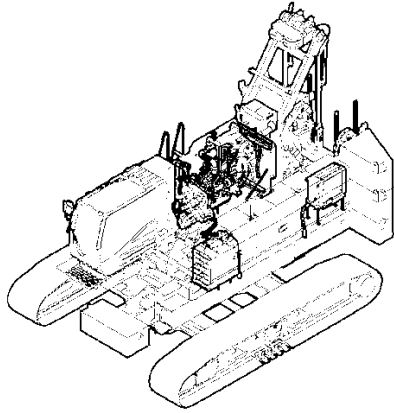
VIEW A



DETAIL ITEM 24

Manitowoc

RADIATOR INSTAL



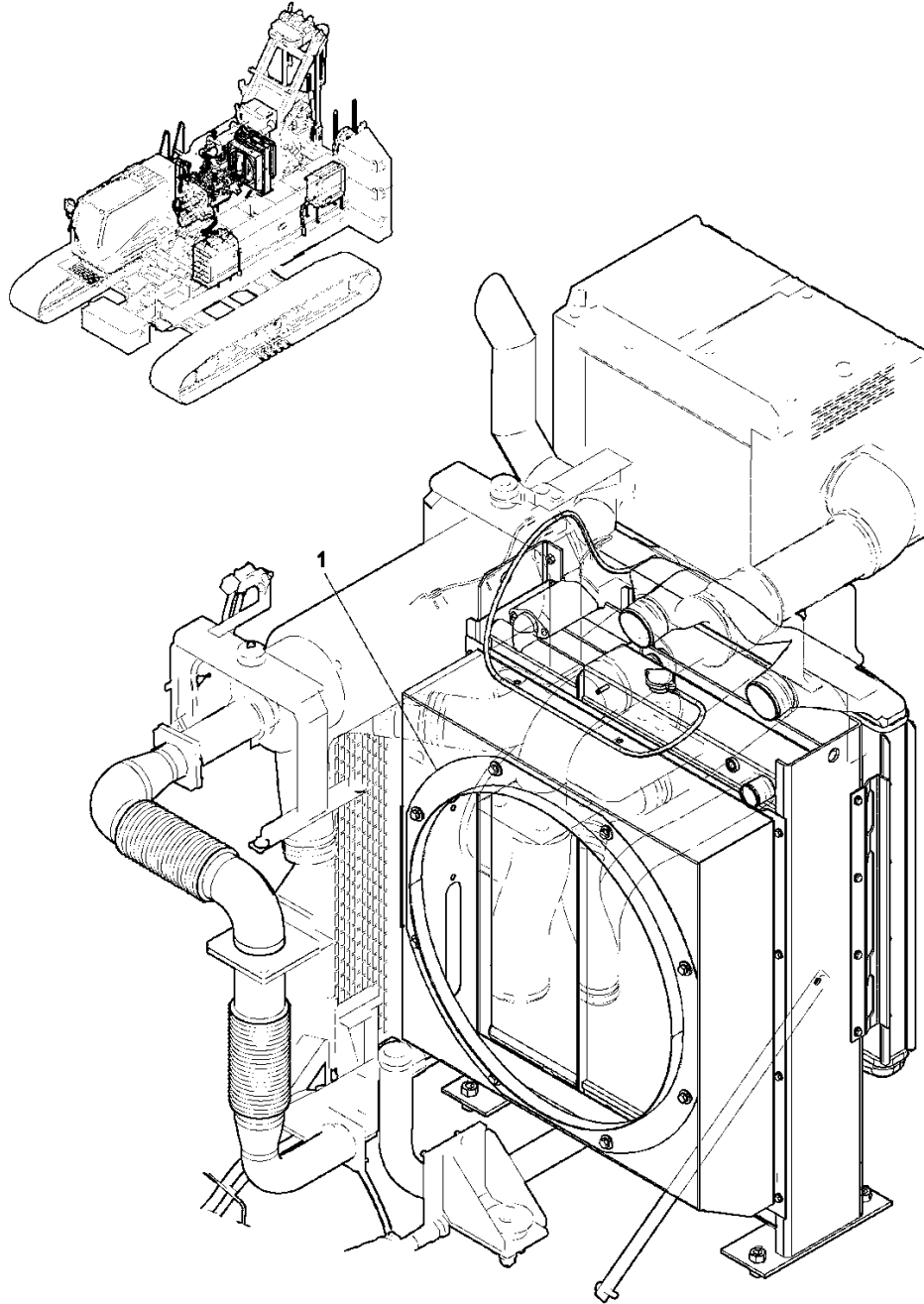
Manitowoc

Description
RADIATOR INSTAL

Assembly No.
9999430854
Revision:

Item	FN	Part	Qty	Description
2		9999432036	1	COVER
3		9999431331	1	BRKT
4		9999431332	2	INSULATION
5		9999431333	1	INSULATION
6		9999432037	1	INSULATION
7		9999431334	2	INSULATION
8		9999431751	1	TUBE
9		9999431335	1	GUARD
10		9999431191	2	STAY
11		9999424526	2	SEMS-BOLT
12		9999424840	4	WASHER,
13		9999424724	4	CAPSCREW
14		9999424528	2	SEMS-BOLT
15		9999424392	2	CLIP
16		9999403193	1	GROMMET
17		9999432192	2	SEMS-BOLT
18		9999402774	2	WASHER,
19		9999432120	1	HOSE ASSY
20		9999432215	2	SEMS-BOLT
21		9999431124	1	CONNECTOR
23		9999432188	1	O-RING
24		9999422413	1	TANK ASSY, WATER
24-1		9999424670	1	CAPSCREW
24-4		9999422414	1	BRACKET
24-5		9999422415	1	TANK
24-6		9999421437	1	CAP
25		9999422685	1	O-RING
26		9999421451	1	SENSOR
27		9999422194	2	WASHER,
28		9999424855	8	WASHER,
29		9999424511	10	SEMS-BOLT

RADIATOR ASSY RADIATOR & OIL COOLER



Manitowoc

Description

RADIATOR ASSY RADIATOR & OIL COOLER

Assembly No.

9999430853

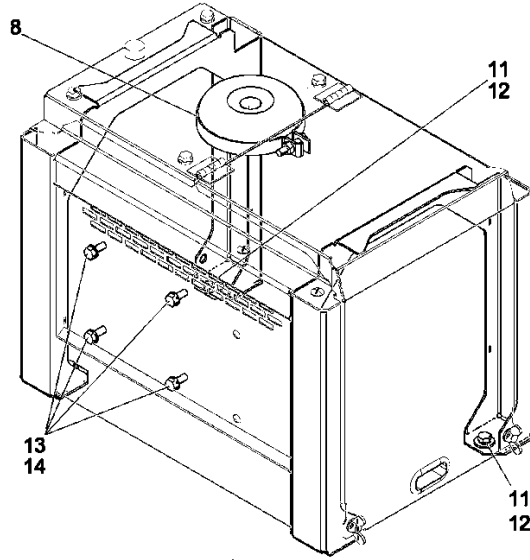
Revision:

Item	FN	Part	Qty	Description
1		9999431330	1	RADIATOR ASSY

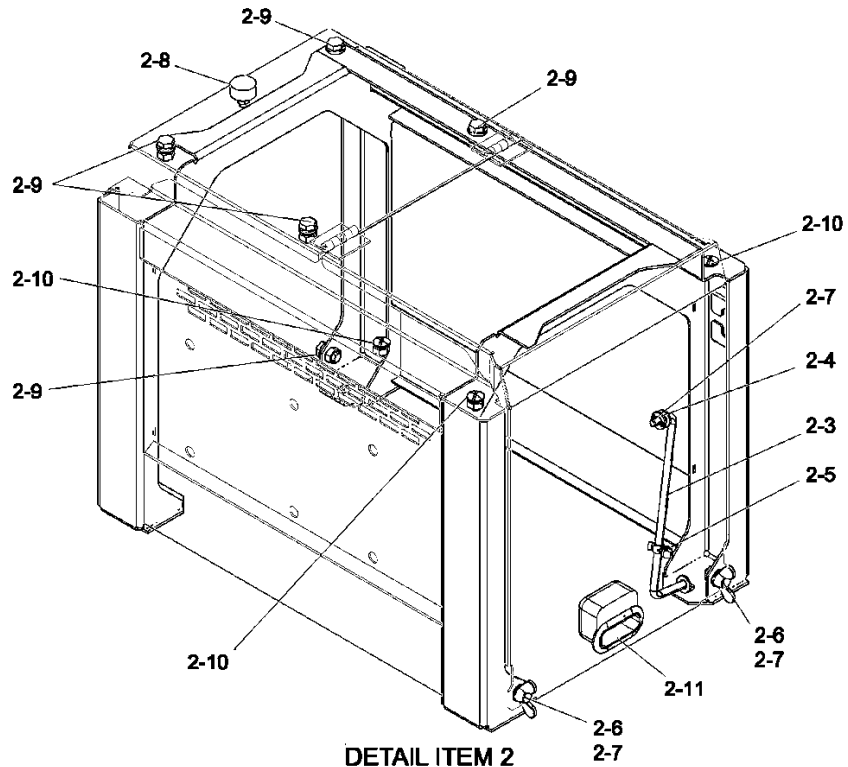
Manitowoc

Notes

Manitowoc



VIEW A



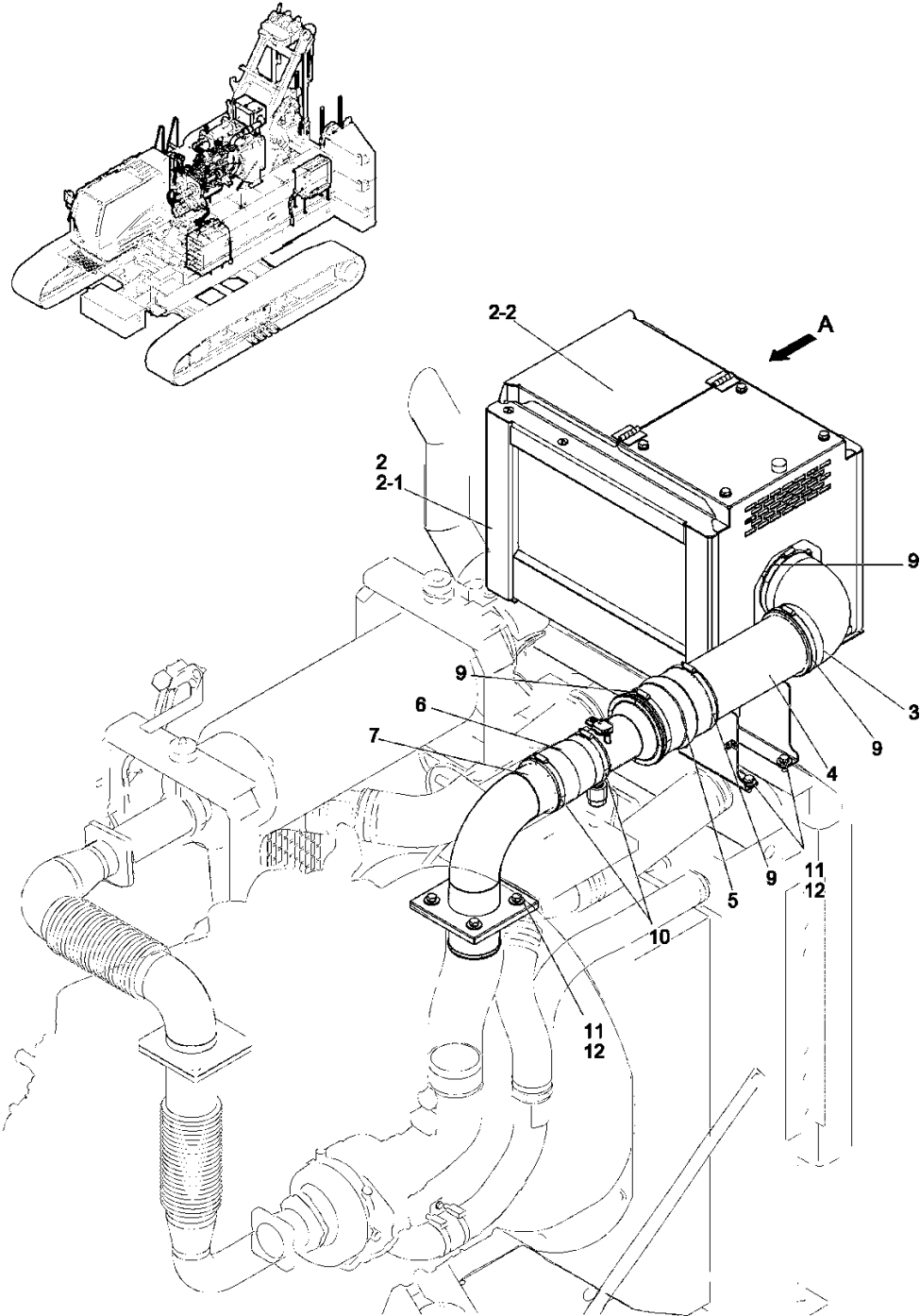
DETAIL ITEM 2

9999430868

(SHEET 2 OF 2)

Manitowoc

CLEANER INSTAL, AIR



Manitowoc

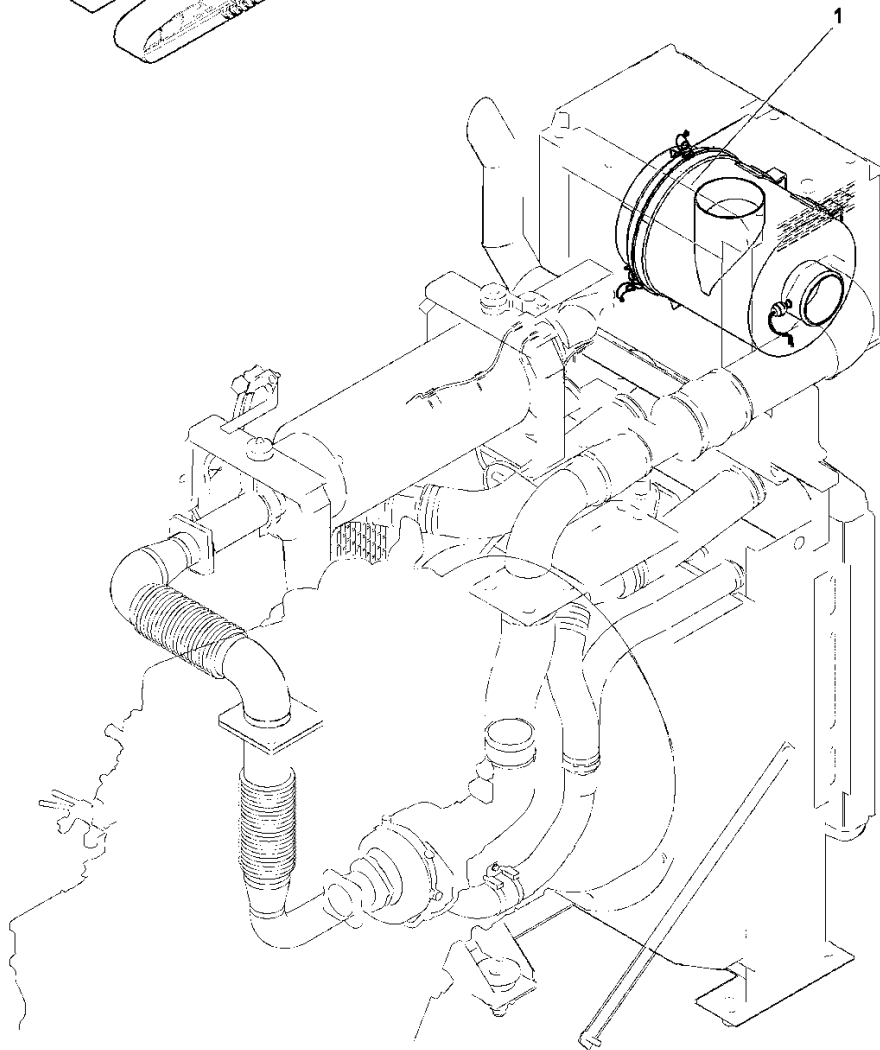
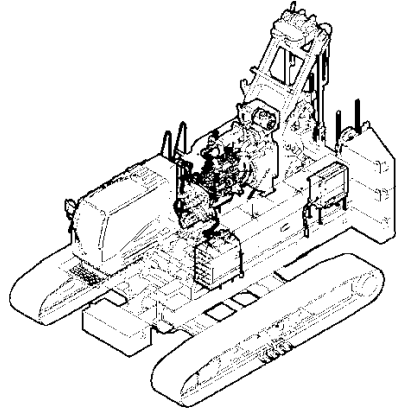
Description
CLEANER INSTAL, AIR

Assembly No.
9999430868
 Revision:

Item	FN	Part	Qty	Description
2		9999431348	1	COVER ASSY
2-1		9999431349	1	BRKT
2-2		9999431353	1	COVER
2-3		9999431352	1	STAY
2-4		9999424598	1	PIN, SPLIT
2-5		9999431152	1	CLIP
2-6		9999431094	2	BOLT, WING
2-7		9999420402	3	WASHER,
2-8		9999431164	1	RUBBER
2-9		9999432210	6	SEMS-BOLT
2-10		9999432100	4	CAP
2-11		9999432150	1	GRIP
3		9999431133	1	ELBOW, 90
4		9999431351	1	TUBE
5		9999431132	1	JOINT
6		9999431347	1	HOSE
7		9999431350	1	TUBE
8		9999425301	1	CAP ASSY
9		9999424370	4	CLIP
10		9999424368	2	CLIP
11		9999422194	12	WASHER,
12		9999424511	12	SEMS-BOLT
13		9999421368	4	CAPSCREW
14		9999424855	4	WASHER,

Manitowoc

CLEANER, AIR



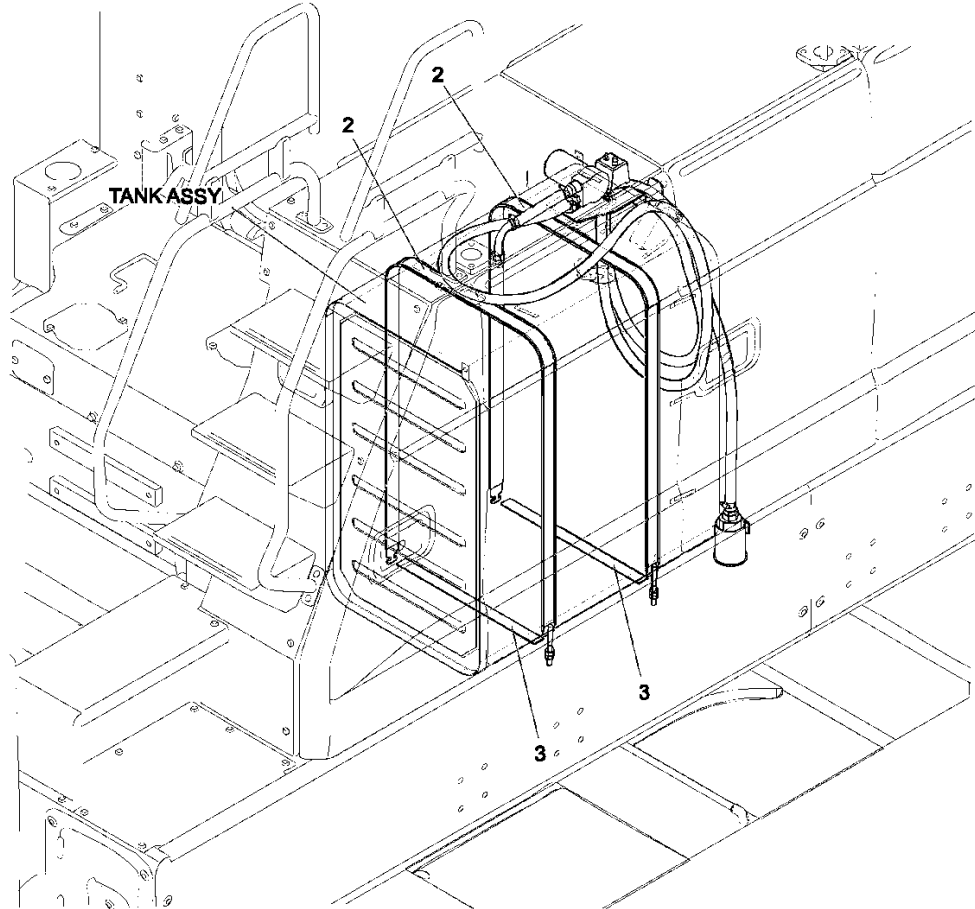
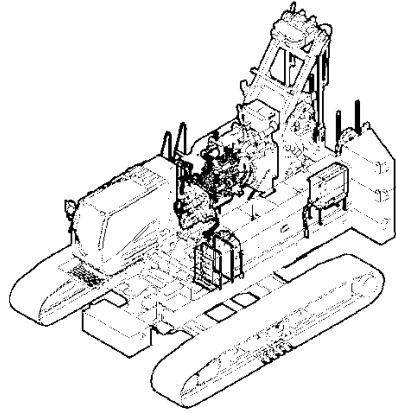
Manitowoc

Description
CLEANER, AIR

Assembly No.
9999430867
Revision:

Item	FN	Part	Qty	Description
1		9999431346	1	CLEANER, AIR

TANK INSTAL, FUEL



Manitowoc

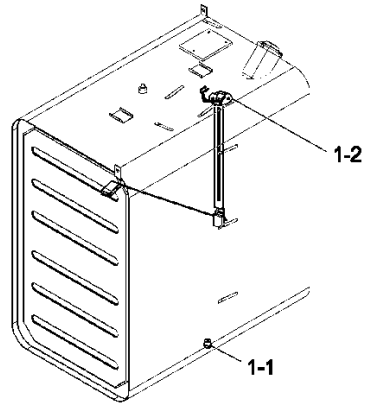
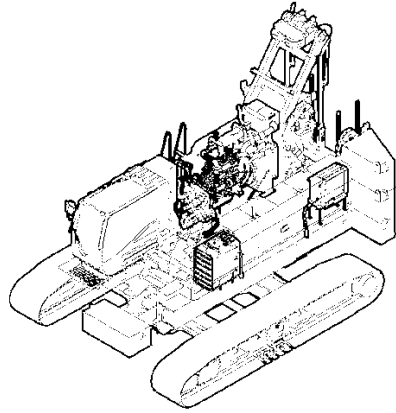
Description
TANK INSTAL, FUEL

Assembly No.
9999430891
Revision:

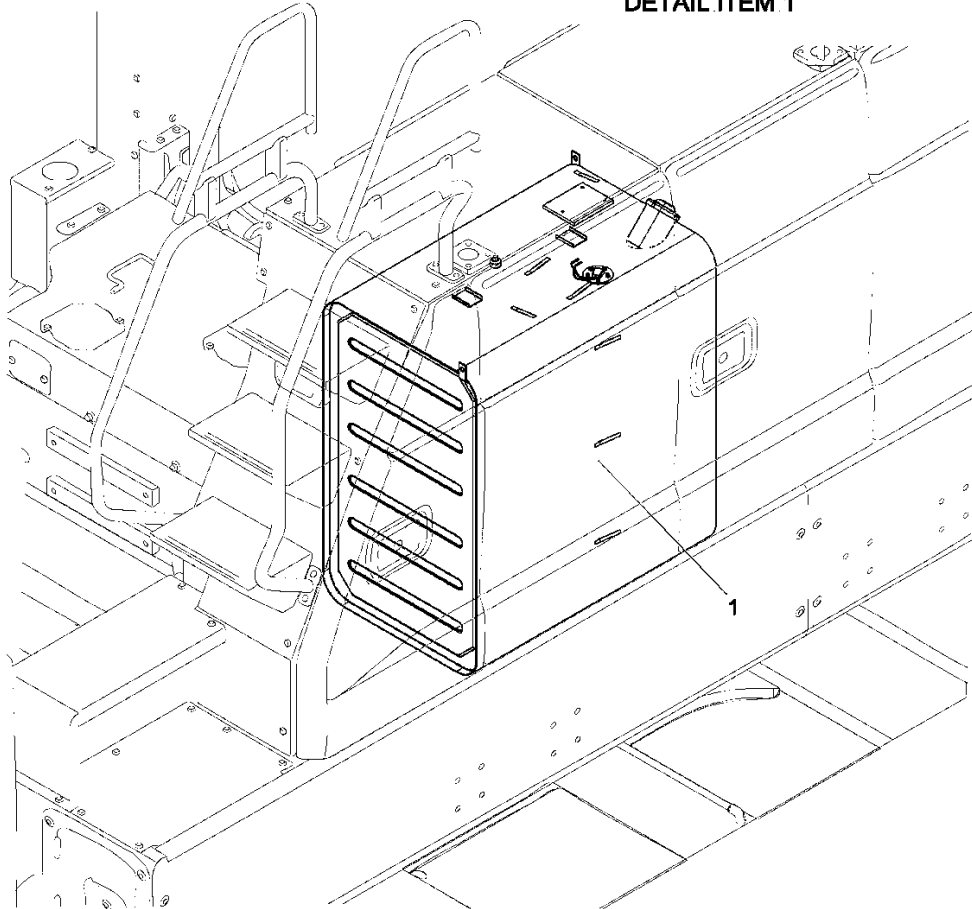
Item	FN	Part	Qty	Description
2		9999431459	2	BAND ASSY
3		9999423278	2	SHEET

Manitowoc

TANK ASSY, FUEL



DETAIL ITEM 1



Manitowoc

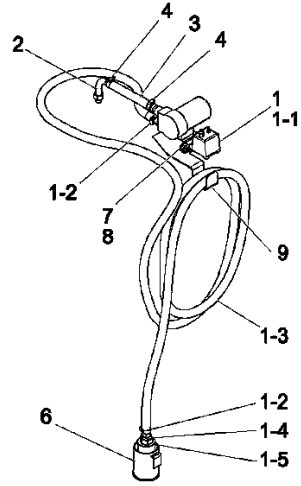
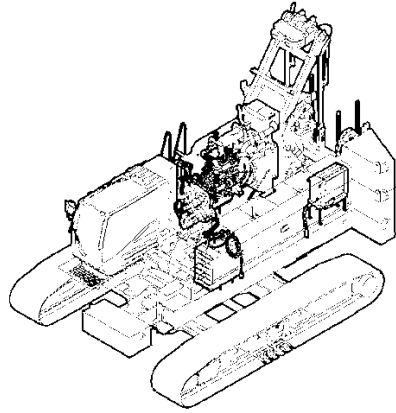
Description
TANK ASSY, FUEL

Assembly No.
9999430892
Revision:

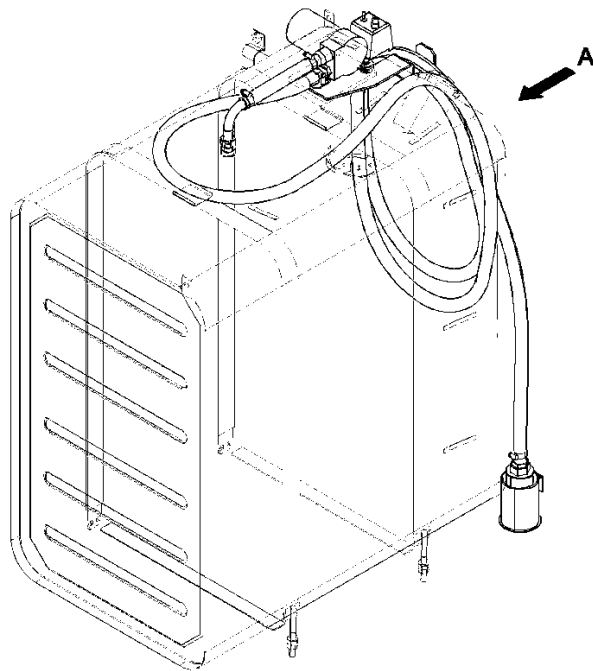
Item	FN	Part	Qty	Description
1		9999431458	1	TANK ASSY, FUEL
1-1		9999408882	1	COCK, DRAIN
1-2		9999431959	1	GAUGE, LEVEL, FUEL

Manitowoc

PUMP ASSY, FUEL



VIEW A



Manitowoc

Description
PUMP ASSY, FUEL

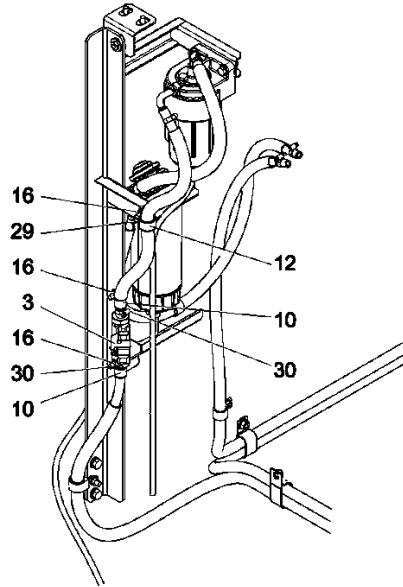
Assembly No.
9999430903
 Revision:

Item	FN	Part	Qty	Description
1		9999421435	1	PUMP ASSY, HYD
1-1		9999429996	1	PUMP, FUEL
1-2		9999424362	2	CLIP
1-3		9999429999	1	HOSE
1-4		9999429998	1	CONNECTOR
1-5		9999430003	1	STRAINER
2		9999406888	1	TUBE LINE
3		9999408805	1	HOSE ASSY, USE AS REQUIRED
4		9999424362	2	CLIP
6		9999406887	1	HOLDER
7		9999419657	3	BOLT
8		9999422198	3	WASHER,
9		9999431575	1	PLATE

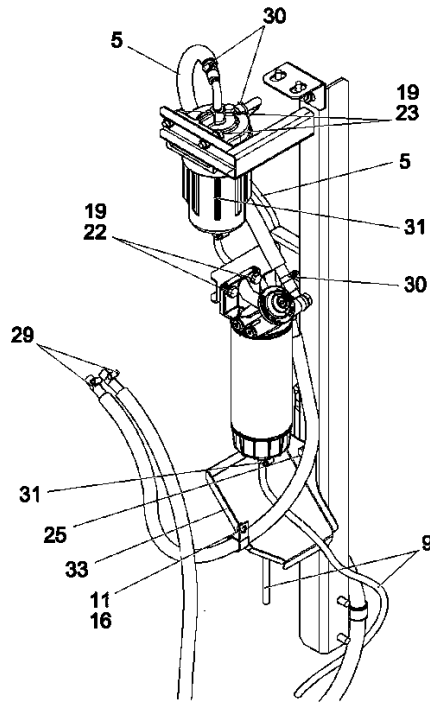
Manitowoc

Notes

Manitowoc



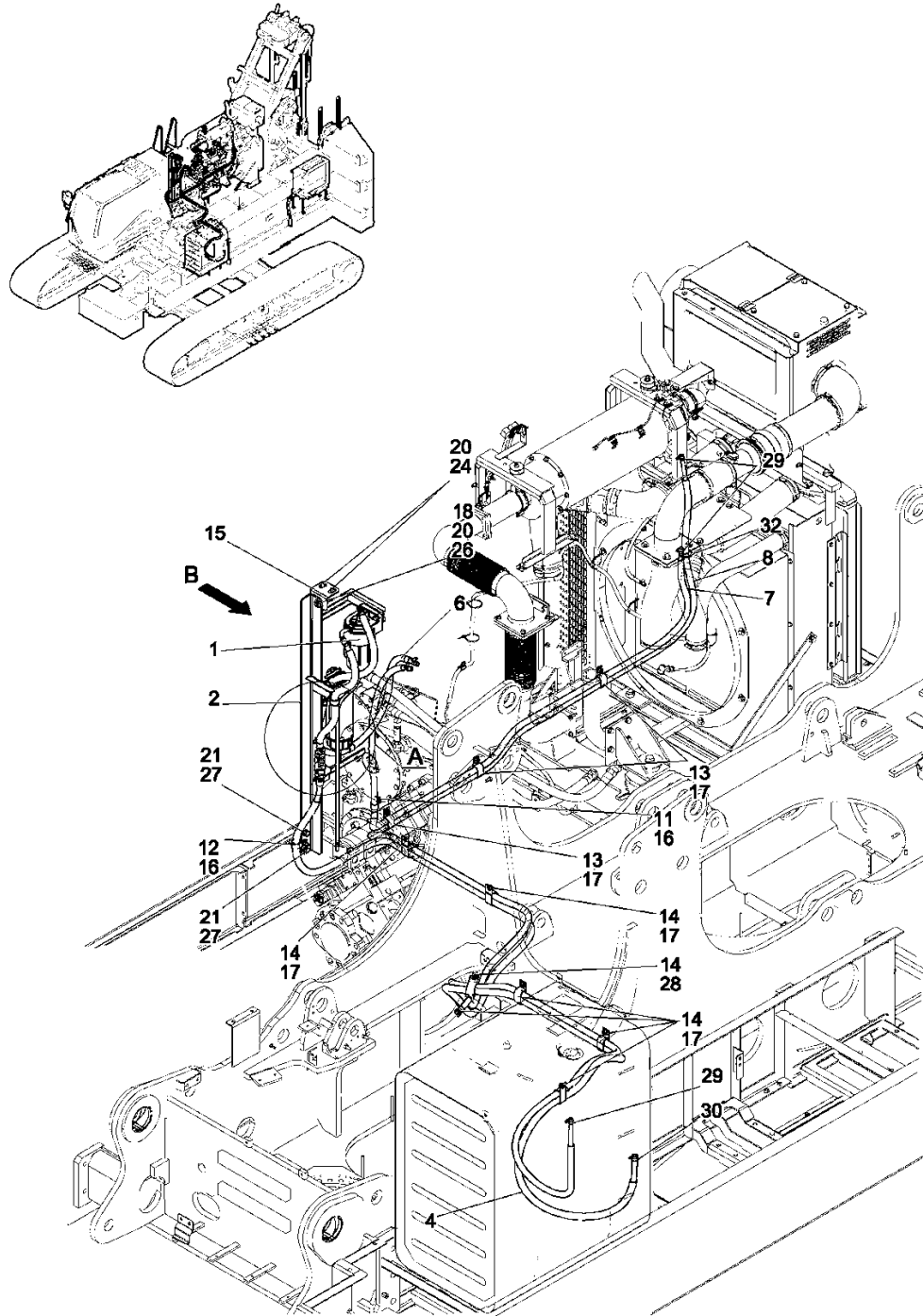
DETAIL A



VIEW B

Manitowoc

FUEL LINES



Manitowoc

Description
FUEL LINES

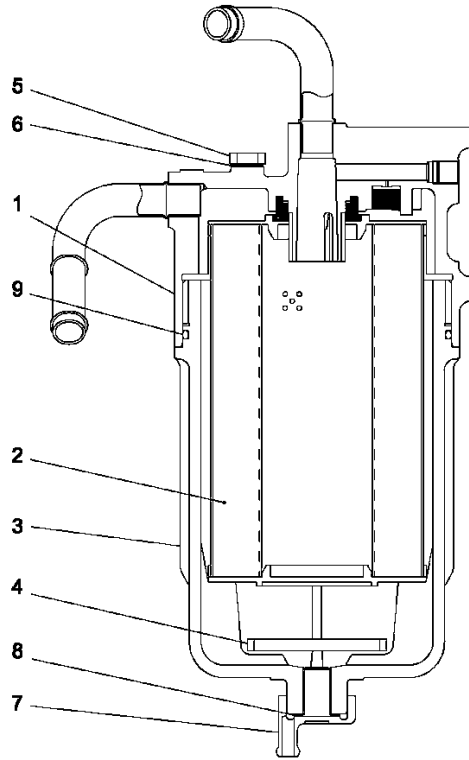
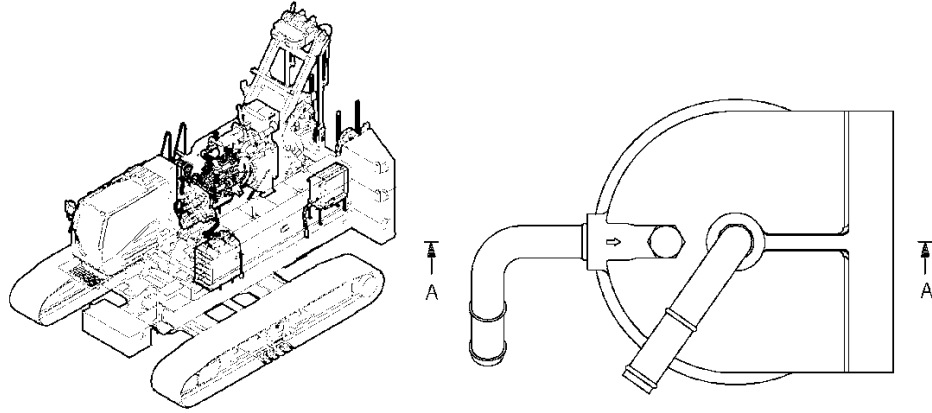
Assembly No.
9999430899
Revision:

Item	FN	Part	Qty	Description
1	+	9999431072	1	FILTER, FUEL
2		9999431564	1	BRKT
3		9999432130	1	VALVE, STOP
4		9999431565	1	HOSE
5		9999431567	2	HOSE
6		9999431563	1	HOSE
7		9999431560	1	HOSE
8		9999431566	1	HOSE
9		9999428803	2	HOSE ASSY, USE AS REQUIRED
10		9999406261	2	CLIP
11		9999426456	2	CLIP
12		9999406262	2	CLIP
13		9999424406	3	CLIP
14		9999431159	7	CLIP
15		9999431561	1	BRKT
16		9999408711	6	NUT
17		9999424076	9	NUT
18		9999426469	1	NUT
19		9999424855	4	WASHER,
20		9999422194	3	WASHER,
21		9999424856	2	WASHER,
22		9999424694	2	CAPSCREW
23		9999424696	2	CAPSCREW
24		9999424510	2	SEMS-BOLT
25		9999424522	2	SEMS-BOLT
26		9999424526	1	SEMS-BOLT
27		9999419669	2	SEMS-BOLT
28		9999432229	1	CAPSCR
29		9999424360	6	CLIP
30		9999424361	6	CLIP
31		9999424372	2	CLIP
32		9999422675	1	CLIP
33		9999431562	1	COVER

+ SEE FURTHER BREAKDOWN THIS GROUP

Manitowoc

FILTER, FUEL



SECTION A-A

100
REPAIR KIT
- CONSISTS OF ITEM -
2, 8, 9

Manitowoc

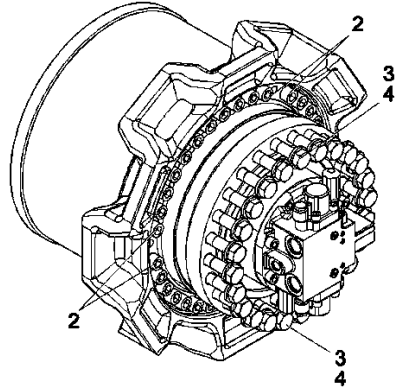
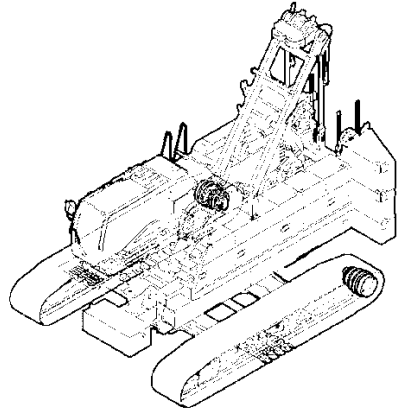
Description
FILTER, FUEL

Assembly No.
9999431072
Revision:

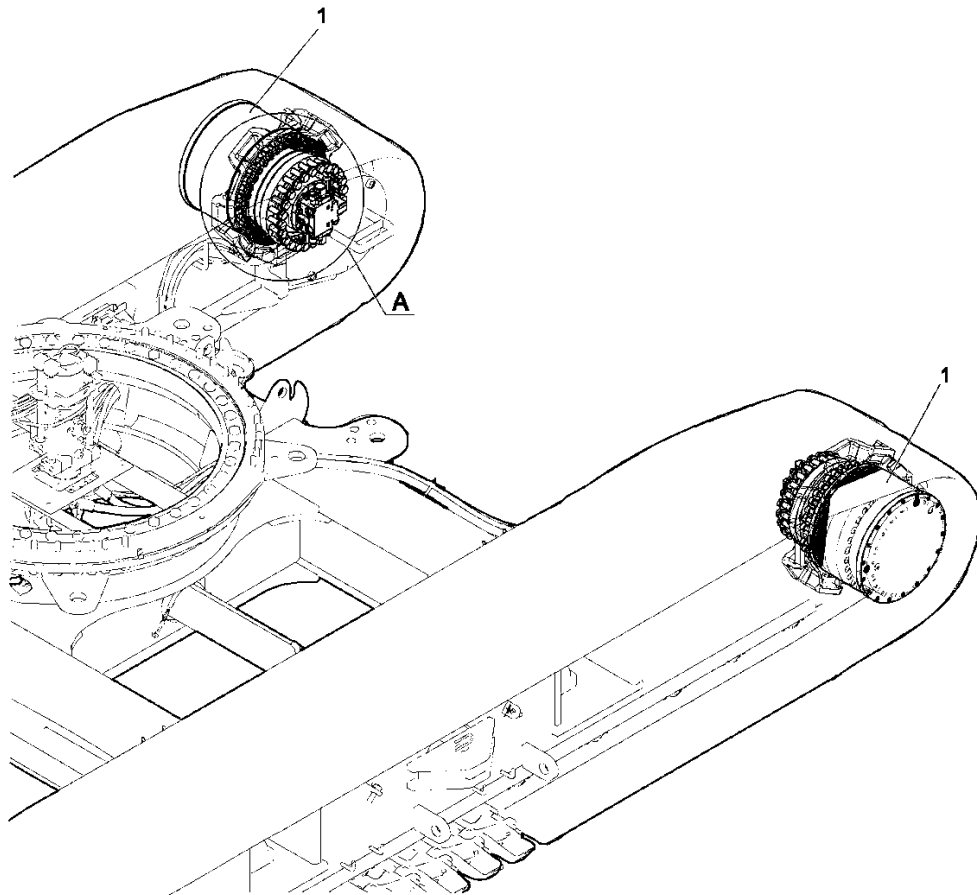
Item	FN	Part	Qty	Description
1		9999432129	1	FILTER, FUEL
2		9999430145	1	ELEMENT, FILTER
3		9999430138	1	CASE
4		9999430137	1	RING
5		9999430141	1	PLUG
6		9999430001	1	GASKET
7		9999430135	1	PLUG
8		9999430136	1	GASKET
9		9999430142	1	O-RING
100		9999429896	1	ELEMENT, FILTER

Manitowoc

DRIVE ASSY, CRAWLER



DETAIL A



Manitowoc

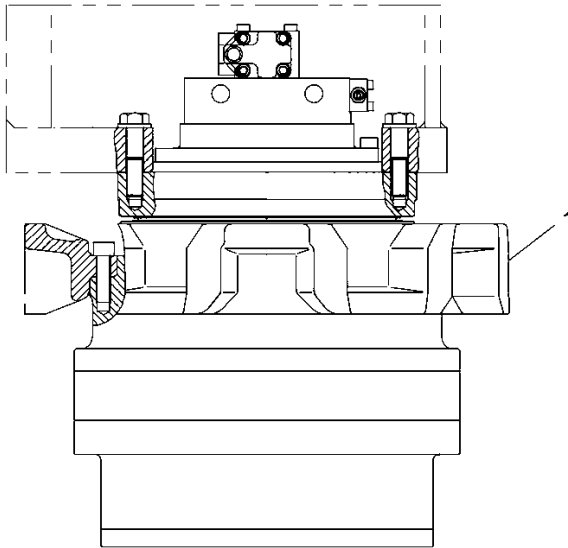
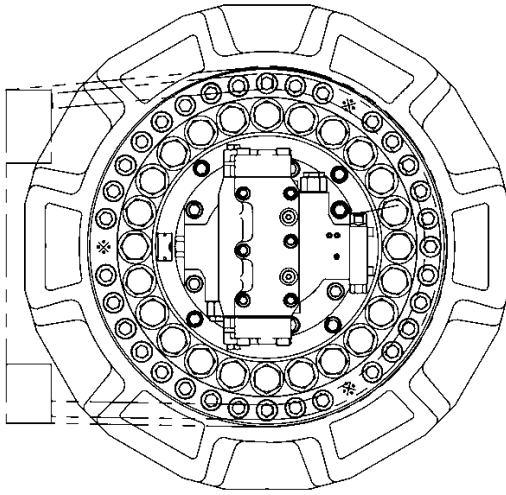
Description
DRIVE ASSY, CRAWLER

Assembly No.
9999430971
Revision:

Item	FN	Part	Qty	Description
1		9999431872	1	REDUCT ASSY, PROPEL
2		9999420235	33	CAPSCREW
3		9999407290	24	CAPSCREW
4		9999424834	24	WASHER,

Manitowoc

TUMBLER



Manitowoc

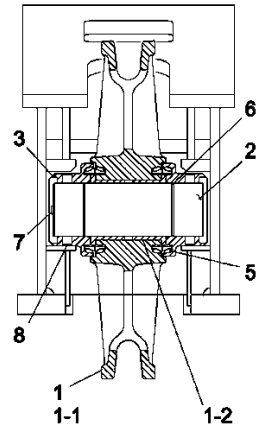
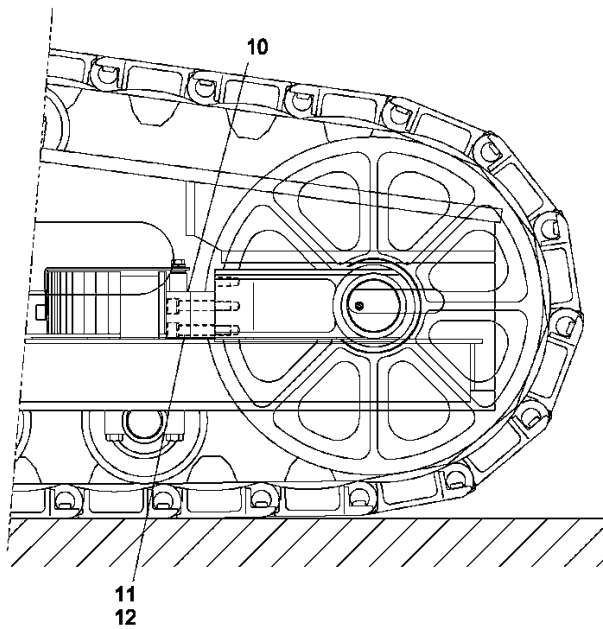
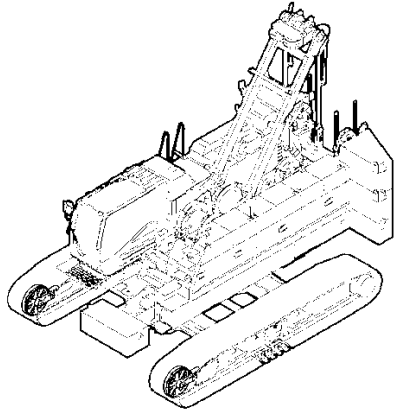
Description
TUMBLER

Assembly No.
9999430562
Revision:

Item	FN	Part	Qty	Description
1		9999407289	1	TUMBLER

Manitowoc

IDLER ASSY, CRAWLER



Manitowoc

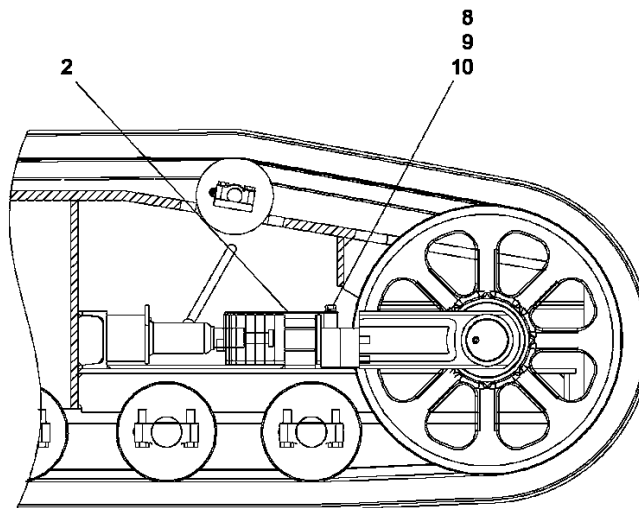
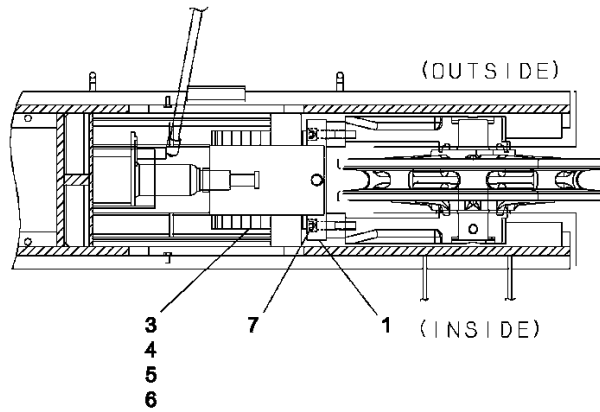
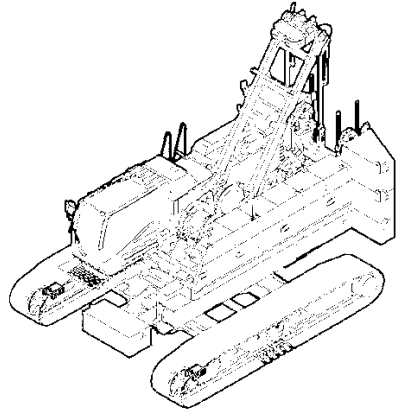
Description
IDLER ASSY, CRAWLER

Assembly No.
9999430801
Revision:

Item	FN	Part	Qty	Description
1		9999400262	1	SPROCKET
1-1		9999400261	1	SPROCKET
1-2		9999400276	2	BUSHING
2		9999407303	1	PIN
3		9999407302	2	BLOCK
5		9999424440	2	SEAL, FLOATING
6		9999424413	2	O-RING
7		9999424454	1	PLUG
8		9999402881	2	PIN
10		9999401912	1	SUPPORT
11		9999424755	4	CAPSCREW
12		9999424871	4	LOCK WASHER

Manitowoc

IDLER ADJUST ASSY



Manitowoc

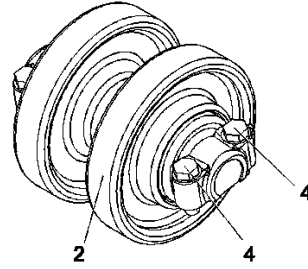
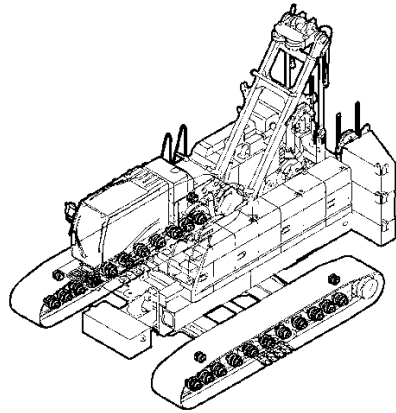
Description
IDLER ADJUST ASSY

Assembly No.
9999430990
Revision:

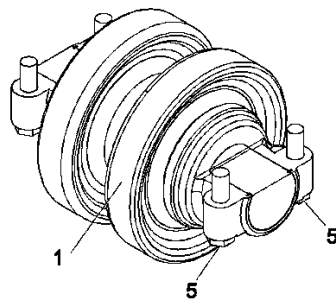
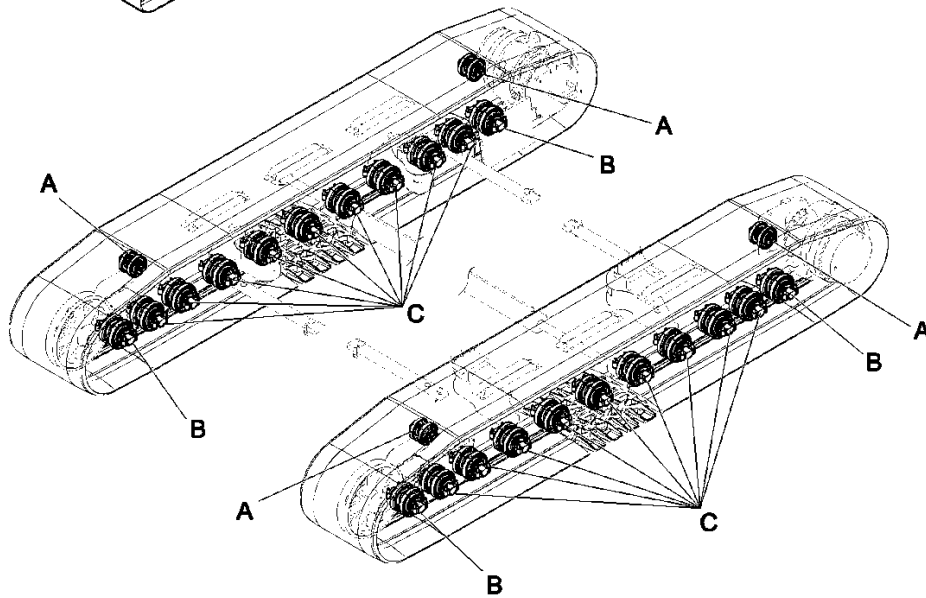
Item	FN	Part	Qty	Description
1		9999401912	1	SUPPORT
2		9999401806	1	COVER
3		9999407356	5	SHIM,
4		9999407357	2	SHIM,
5		9999407358	2	SHIM,
6		9999407359	2	SHIM,
7		9999420235	4	CAPSCREW
8		9999424717	1	CAPSCREW
9		9999421388	1	LOCK WASHER
10		9999424858	1	WASHER,

Manitowoc

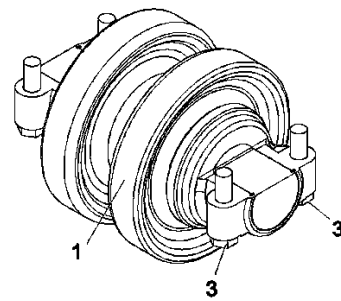
ROLLER ASSY CRAWLER



DETAIL A



DETAIL B



DETAIL C

Manitowoc

Description

ROLLER ASSY CRAWLER

Assembly No.

9999431017

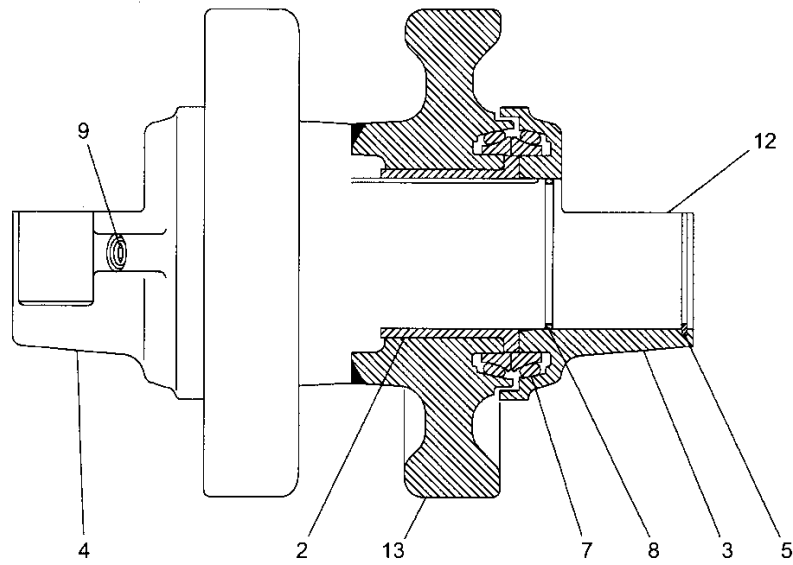
Revision:

Item	FN	Part	Qty	Description
1	+	9999429921	22	ROLLER ASSY
2	+	9999427314	4	UPPERROLLER ASSY
3		9999432224	72	CAPSCR
4		9999432222	16	CAPSCR
5		9999431180	16	CAPSCR

+ SEE FURTHER BREAKDOWN THIS GROUP

Manitowoc

ROLLER ASSY



Manitowoc

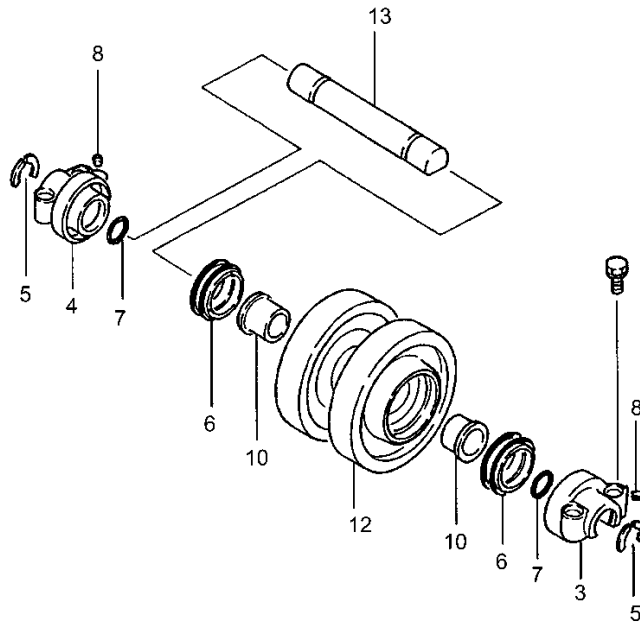
Description
ROLLER ASSY

Assembly No.
9999429921
Revision:

Item	FN	Part	Qty	Description
2		9999400269	2	BUSHING
3		9999401915	1	COLLAR
4		9999401916	1	COLLAR
5		9999422193	4	RING
7		9999424326	2	SEAL, FLOATING
8		9999424410	2	O-RING
9		9999424453	2	PLUG
12		9999427455	1	PIN
13		9999430102	1	ROLLER

Manitowoc

ROLLER ASSY UPPER



Manitowoc

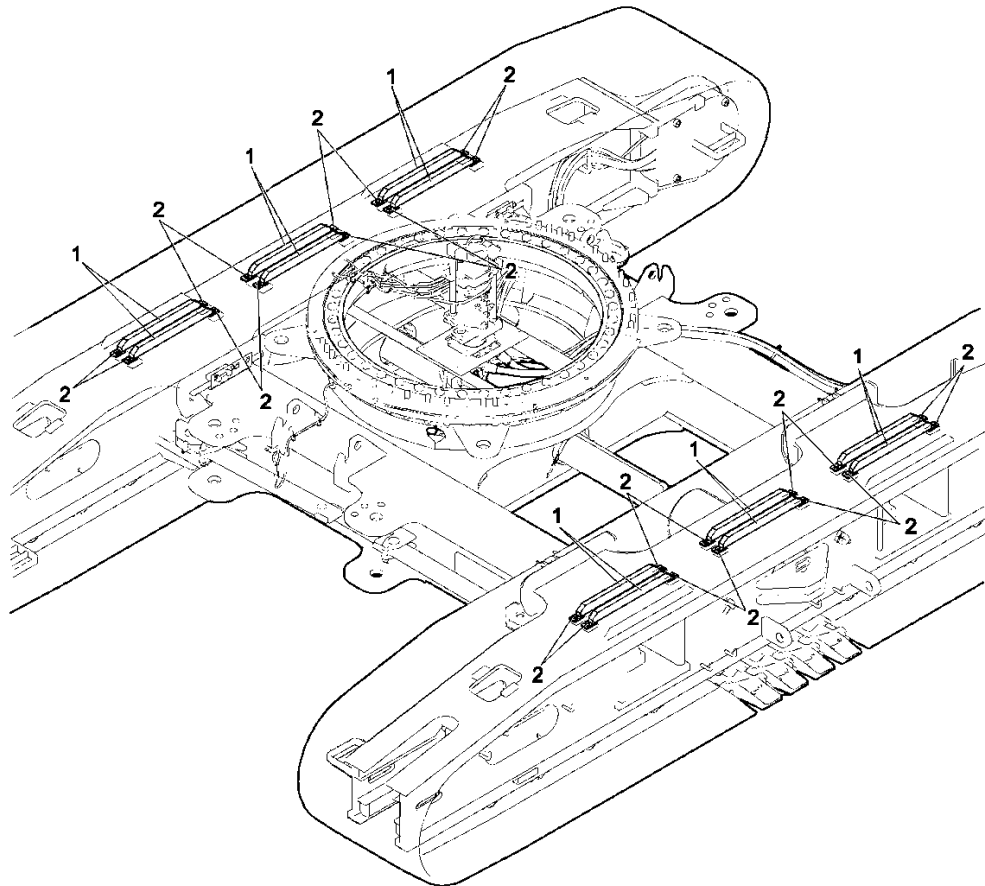
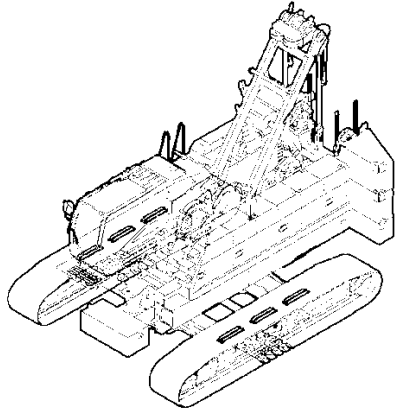
Description
UPPERROLLER ASSY

Assembly No.
9999427314
Revision:

Item	FN	Part	Qty	Description
3		9999402267	1	COLLAR
4		9999402268	1	COLLAR
5		9999402729	4	RING
6		9999424328	2	SEAL, FLOATING
7		9999424407	2	O-RING
8		9999424453	2	PLUG
10		9999429980	2	BUSHING
12		9999427318	1	ROLLER
13		9999430711	1	SHAFT

Manitowoc

RAIL ASSY, TRUCK



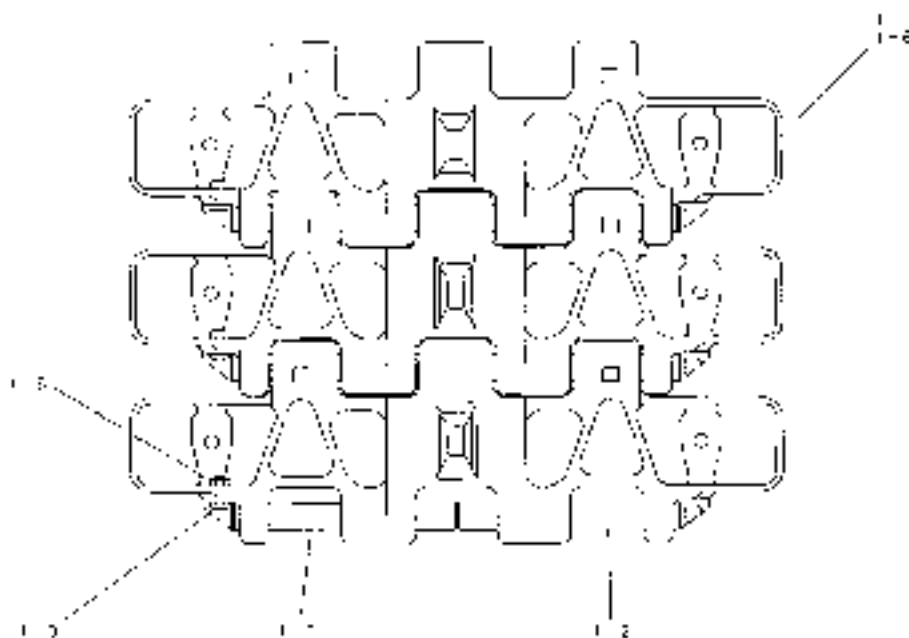
Manitowoc

Description
RAIL ASSY, TRUCK

Assembly No.
9999430856
Revision:

Item	FN	Part	Qty	Description
1		9999431336	12	RAIL
2		9999432214	24	SEMS-BOLT

Manitowoc



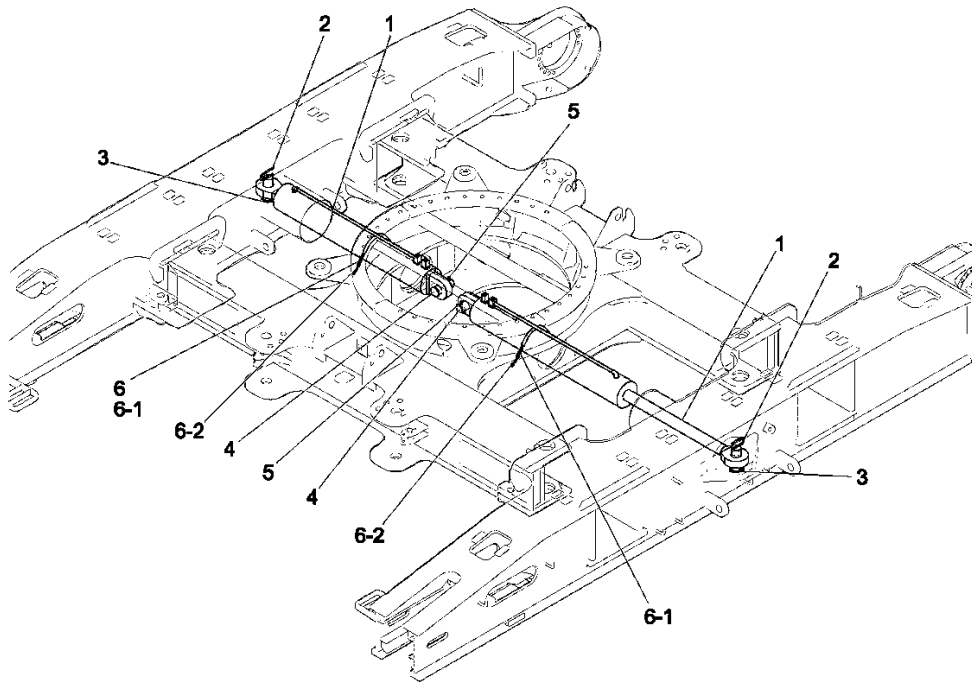
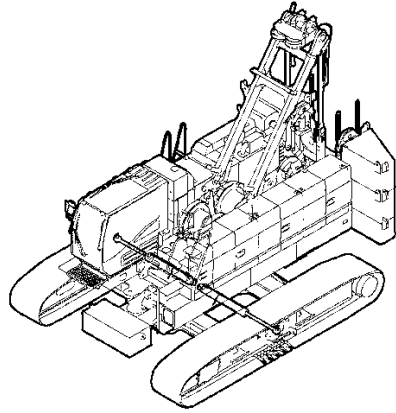
Manitowoc

Description
SHOE ASSY(914mm)

Assembly No.
9999423696
Revision:

Item	FN	Part	Qty	Description
1		9999408204	132	SHOE ASSY
1-1		9999408203	1	SHOE
1-2		9999402878	2	PIN
1-3		9999421531	1	CAPSCREW
1-4		9999424863	1	LOCK WASHER
1-5		9999419671	1	NUT

CYLINDER ASSY CRAWLER HORIZONTAL



Manitowoc

Description

CYL ASSY CRAWLER HORIZONTAL

Assembly No.

9999430806

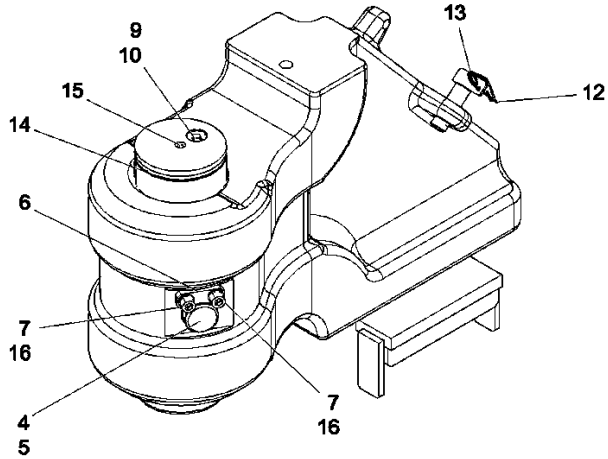
Revision:

Item	FN	Part	Qty	Description
1		9999432032	2	CYL ASSY
2		9999423846	2	PIN
3		9999427717	2	PIN, SPRING
4		9999431085	2	PIN
5		9999419821	2	PIN, SPLIT
6		9999422246	2	CHAIN ASSY
6-1		9999431096	1	CHAIN
6-2		9999404177	2	HOOK

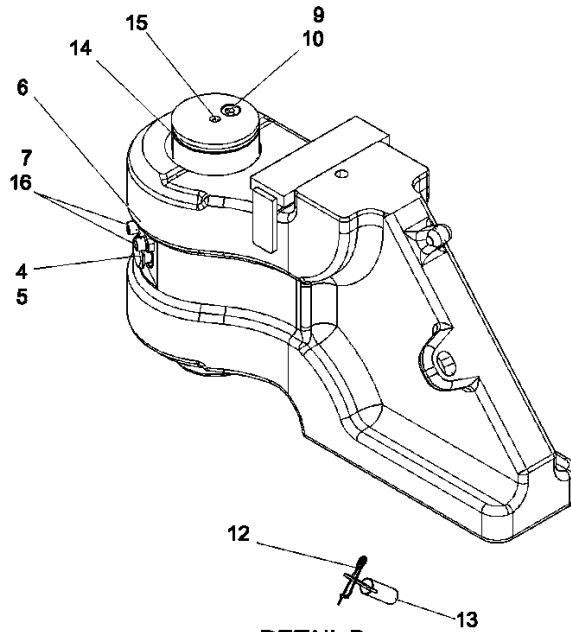
Manitowoc

Notes

Manitowoc



DETAIL A

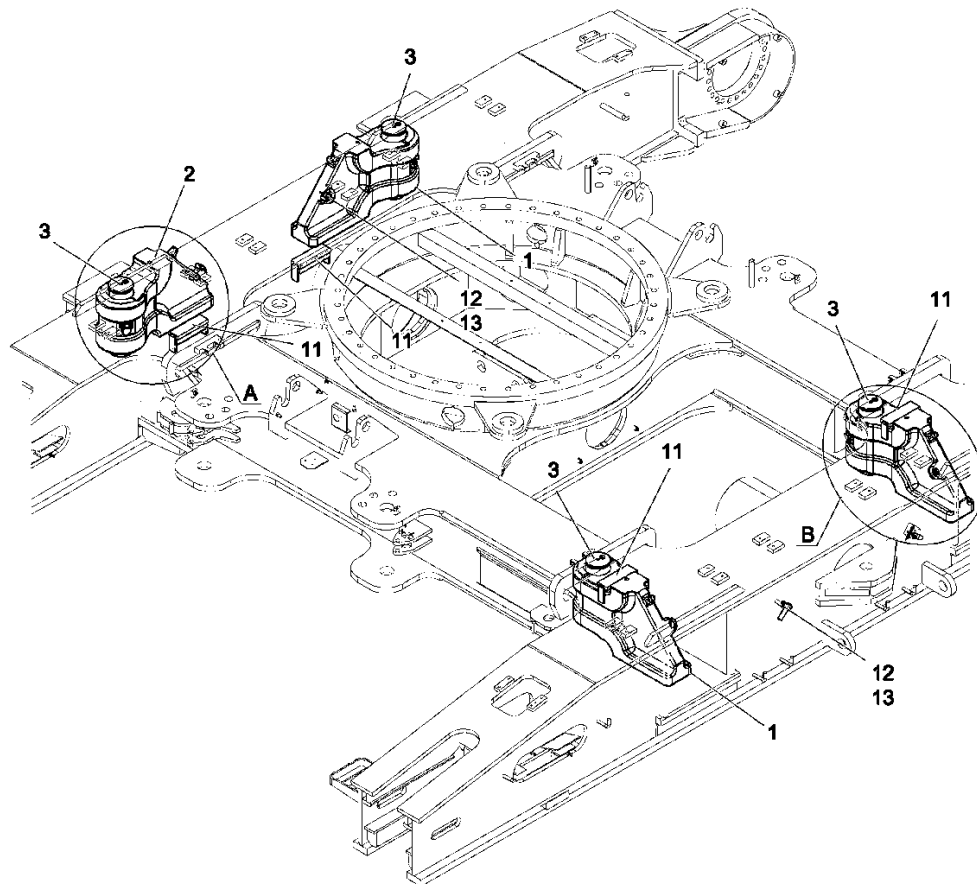
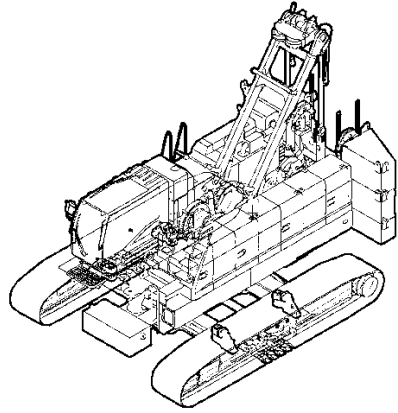


DETAIL B

9999430820

(SHEET 2 OF 2)

AXLE ASSY, CARBODY



Manitowoc

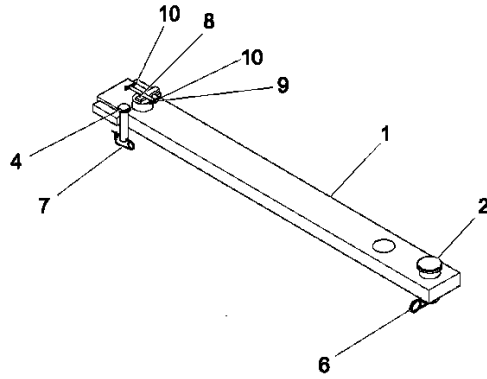
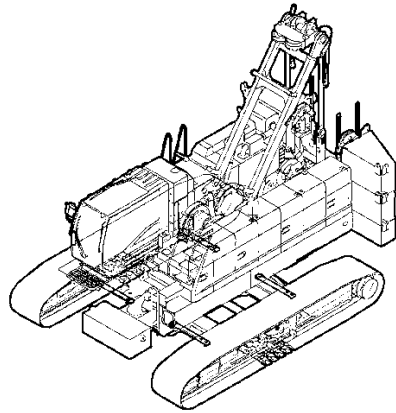
Description
AXLE ASSY, CARBODY

Assembly No.
9999430820
 Revision:

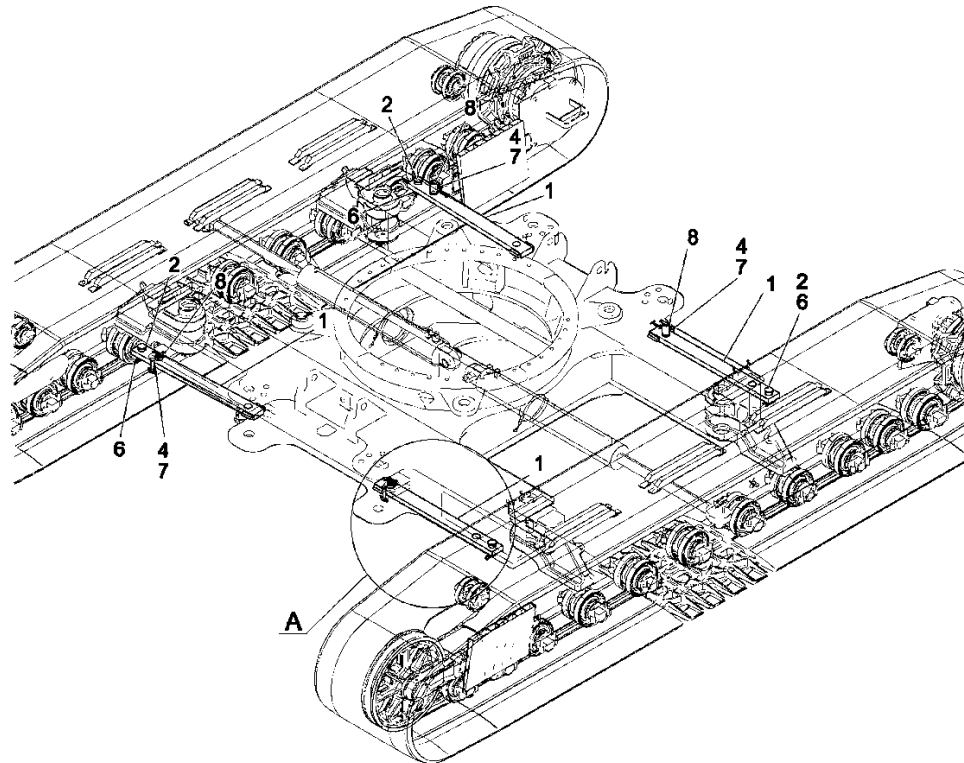
Item	FN	Part	Qty	Description
1		9999431247	2	AXLE
2		9999431248	2	AXLE
3		9999431249	4	PIN
4		9999431251	4	PIN
5		9999430156	4	O-RING
6		9999423076	4	PLATE, KEEPER
7		9999424769	8	CAPSCREW
9		9999421341	4	NIPPLE, GREASE
10		9999422650	4	CAP
11		9999431250	4	BRKT
12		9999422241	4	PIN
13		9999431252	4	PIN
14		9999424437	4	O-RING
15		9999424814	4	SETSCREW
16		9999424847	8	WASHER

Manitowoc

LINK ASSY



DETAIL A



Manitowoc

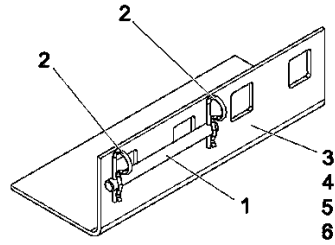
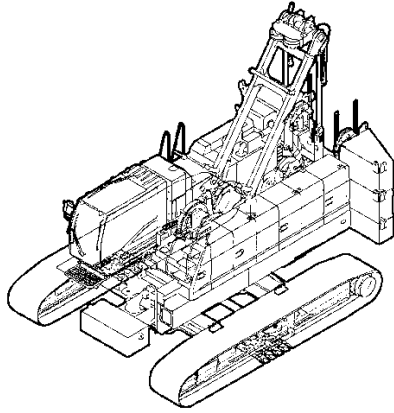
Description
LINK ASSY

Assembly No.
9999430804
Revision:

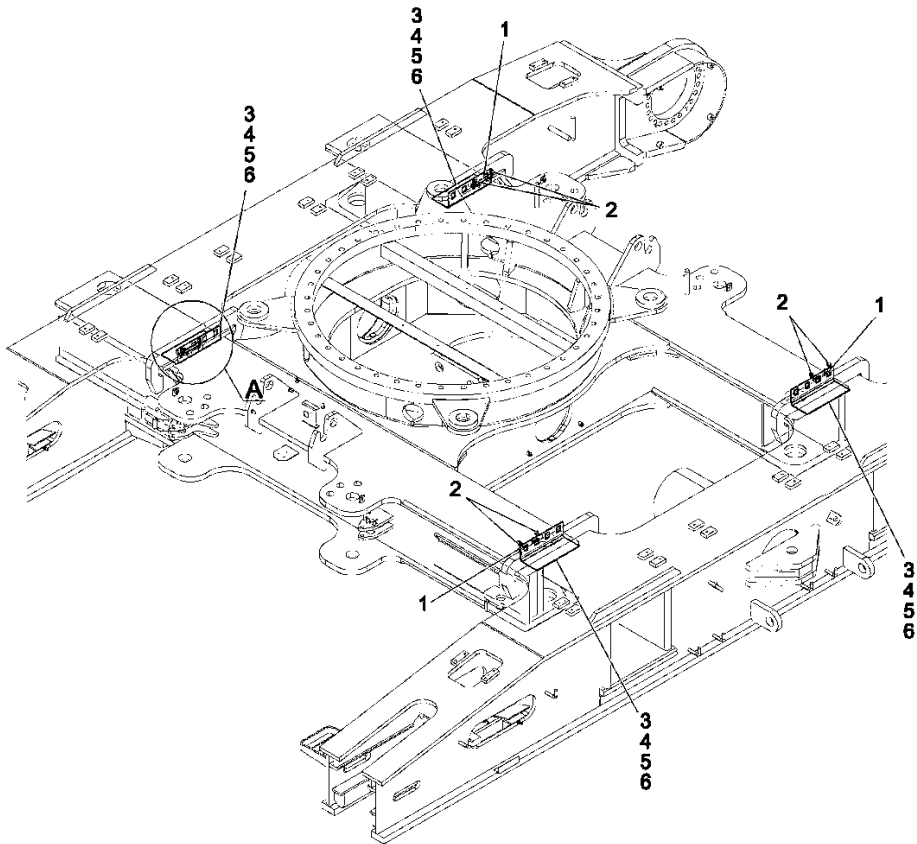
Item	FN	Part	Qty	Description
1		9999431185	4	LINK
2		9999431186	4	PIN
4		9999419887	4	PIN
6		9999402920	4	PIN, LOCK
7		9999422241	4	PIN
8		9999431190	4	PIN
9		9999432060	4	PIN
10		9999427300	8	HAIR-PIN

Manitowoc

SHIM ASSY



DETAIL A



Manitowoc

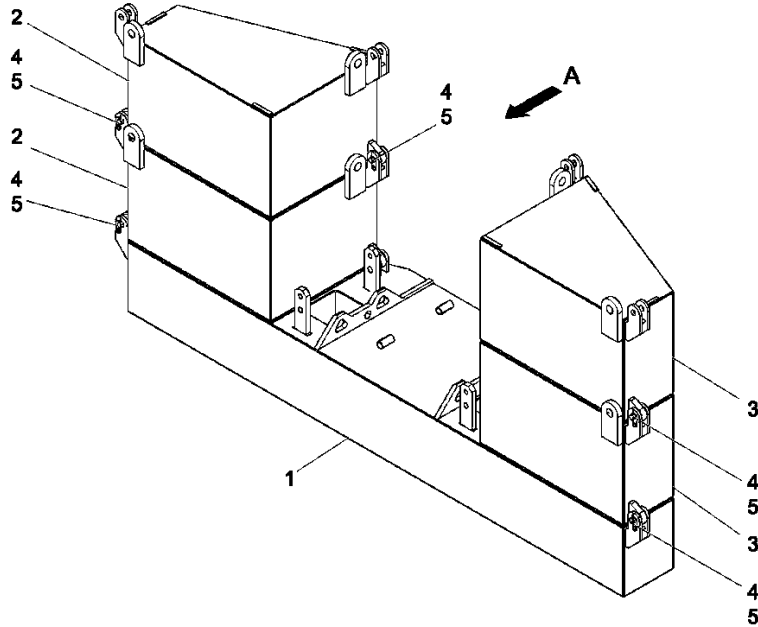
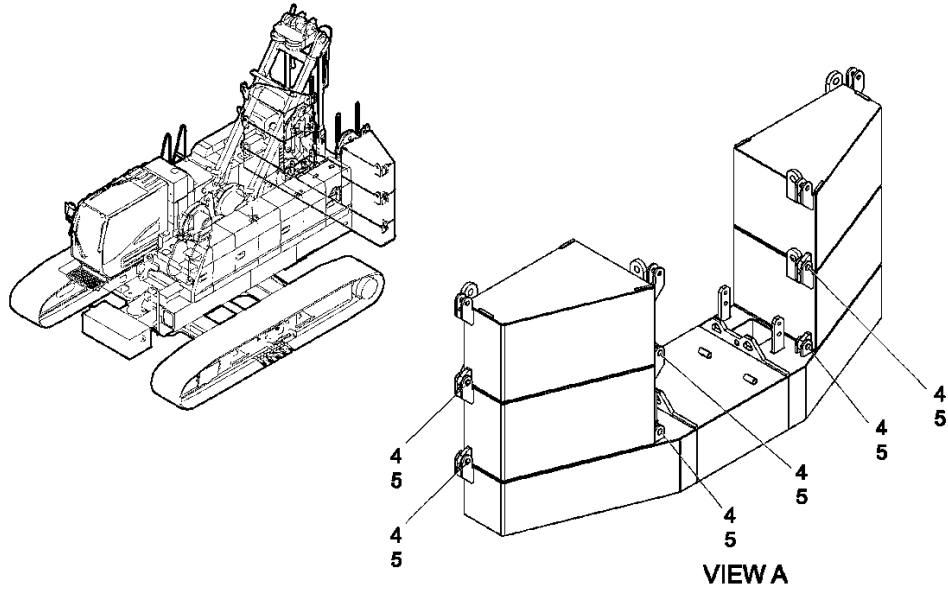
Description
SHIM ASSY

Assembly No.
9999430803
Revision:

Item	FN	Part	Qty	Description
1		9999406527	4	PIN
2		9999400165	8	PIN, SPLIT
3		9999431181	4	SHIM
4		9999431182	4	SHIM
5		9999431183	4	SHIM
6		9999431184	4	SHIM

Manitowoc

COUNTERWEIGHT ASSY 3-C/W



Manitowoc

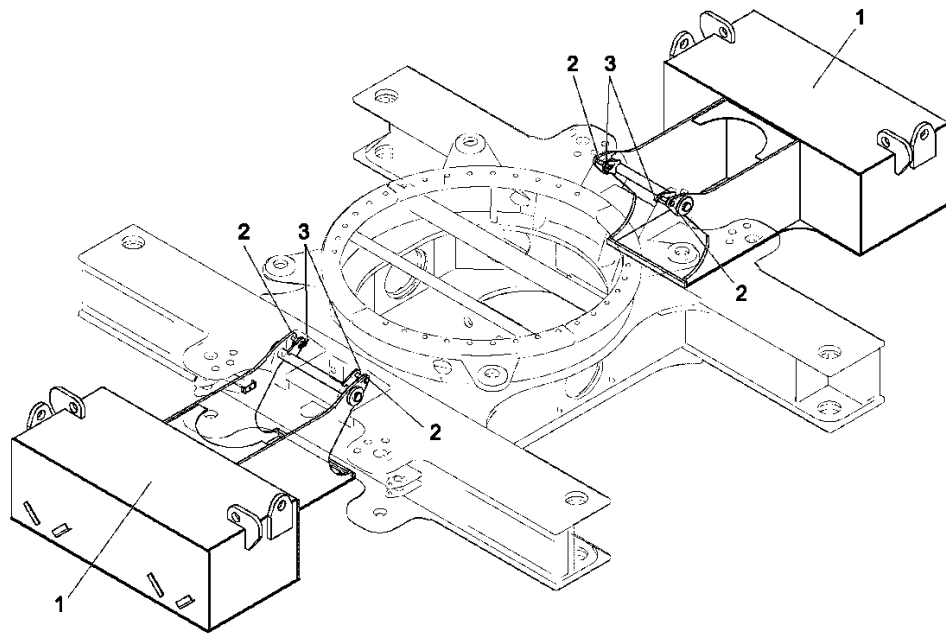
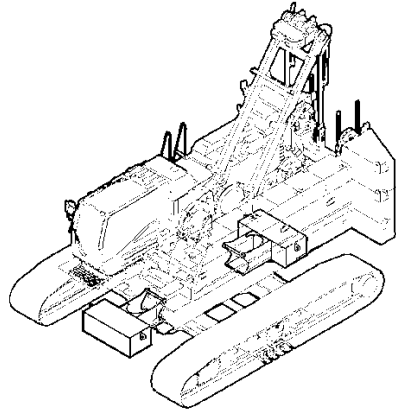
Description
CWT ASSY 3-CWT

Assembly No.
9999431007
Revision:

Item	FN	Part	Qty	Description
1		9999431960	1	CWT
2		9999431961	2	CWT
3		9999431962	2	CWT
4		9999432221	8	PIN
5		9999402920	8	PIN, LOCK

Manitowoc

WEIGHT ASSY, CARBODY



Manitowoc

Description

WEIGHT ASSY, CARBODY

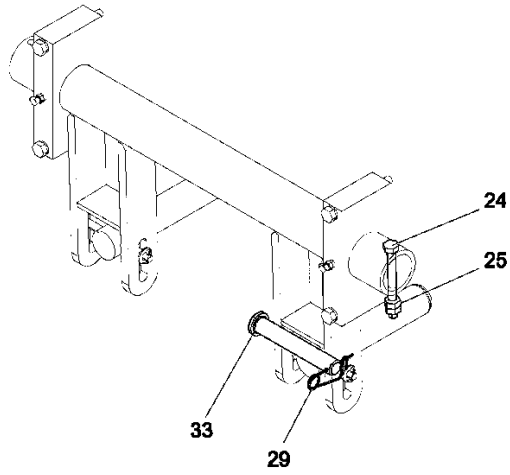
Assembly No.

9999431014

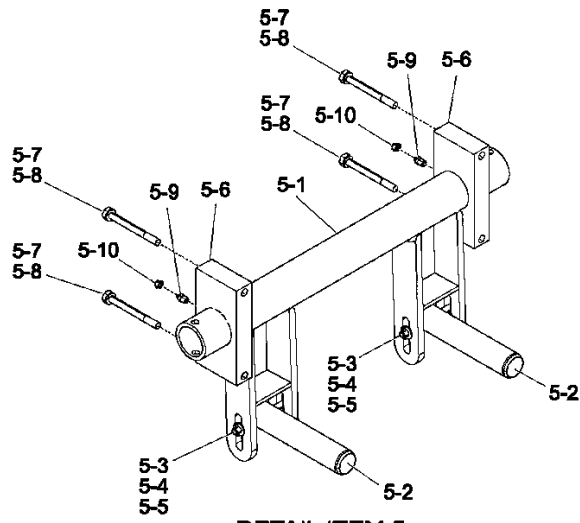
Revision:

Item	FN	Part	Qty	Description
1		9999431989	2	WEIGHT
2		9999432219	4	PIN
3		9999422241	4	PIN

Manitowoc

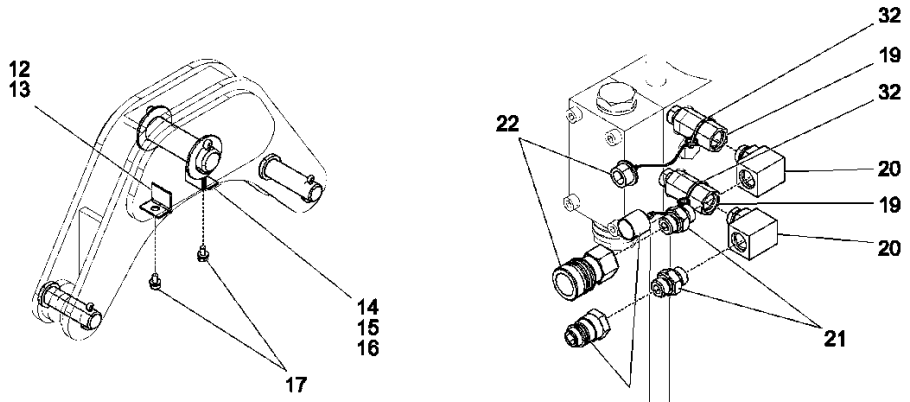


VIEW D



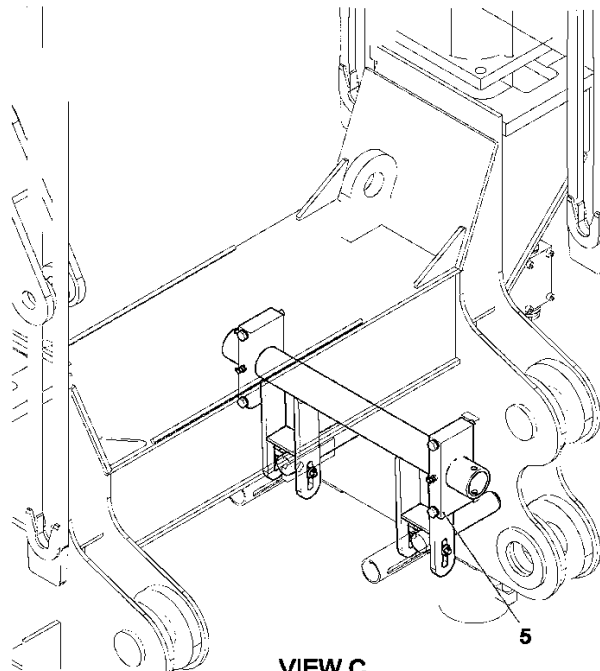
DETAIL ITEM 5

Manitowoc



DETAIL A

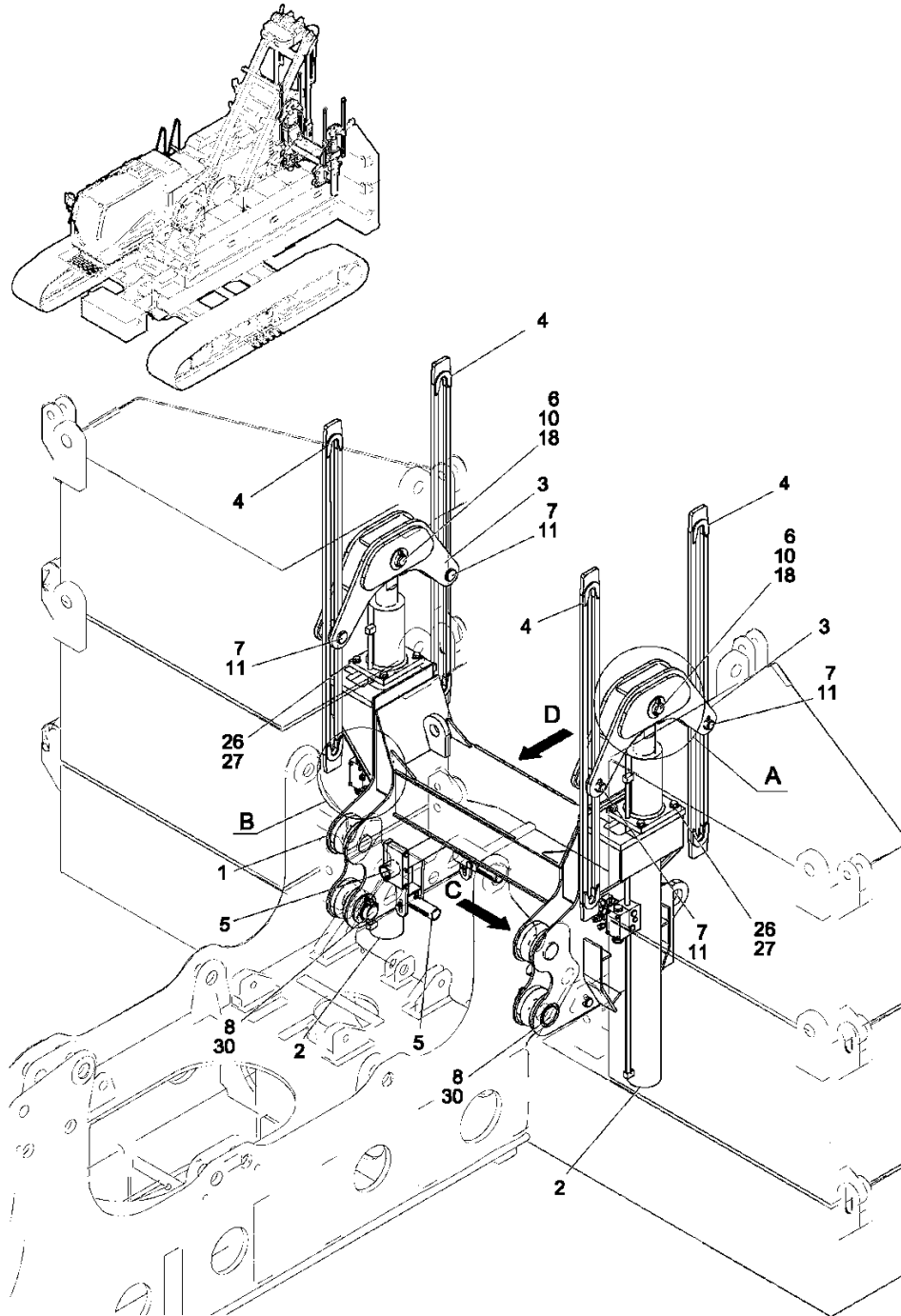
DETAIL B



VIEW C

Manitowoc

CWT ASSY, REMOVABLE
C/W REMOVABLE / STD.



Manitowoc

Description

CWT ASSY, REMOVABLE

Assembly No.

9999431008

Revision:

Item	FN	Part	Qty	Description
1		9999431966	1	FRAME
2		9999431193	2	CYL ASSY, HYD
3		9999431967	2	LINK
4		9999431968	4	LINK
5		9999431969	2	PIN ASSY
5-1		9999431972	1	LEVER
5-2		9999431973	2	PIN
5-3		9999432061	2	PIN
5-4		9999424855	4	WASHER,
5-5		9999424598	4	PIN, SPLIT
5-6		9999432113	2	BLOCK
5-7		9999432228	4	CAPSCR
5-8		9999424877	4	LOCK WASHER
5-9		9999421341	2	NIPPLE, GREASE
5-10		9999422650	2	CAP
6		9999431970	2	PIN
7		9999431971	4	PIN
8		9999431965	2	PIN
10		9999419820	4	PIN, SPLIT
11		9999424607	4	PIN, SPLIT
12		9999432116	2	SHIM
13		9999432115	2	SHIM
14		9999432117	2	SHIM
15		9999432118	2	SHIM
16		9999432119	2	SHIM
17		9999424521	4	SEMS-BOLT
18		9999408739	4	WASHER,
19		9999432047	4	CONNECTOR
20		9999422545	4	ELBOW, 90
21		9999425242	4	CONNECTOR
22		9999425232	2	BODY
23		9999405201	2	CONNECTOR
24		9999432228	2	CAPSCR
25		9999424553	4	NUT

Manitowoc

Description

CWT ASSY, REMOVABLE

Assembly No.

9999431008

Revision:

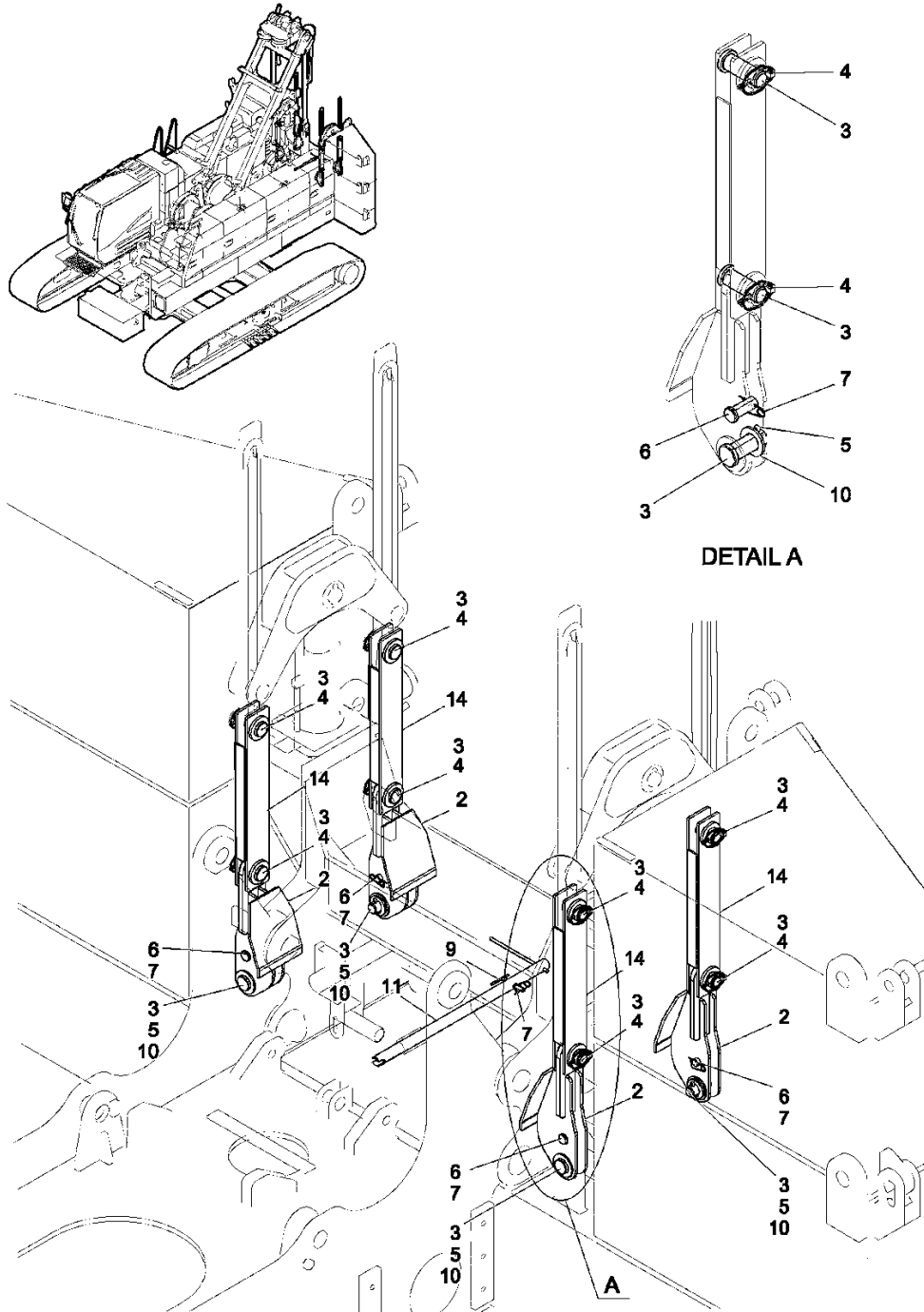
Item	FN	Part	Qty	Description
26		9999424839	8	WASHER,
27		9999424720	8	CAPSCREW
29		9999422241	2	PIN
30		9999427717	2	PIN, SPRING
32		9999406272	4	CLIP
33		9999431974	2	PIN

Manitowoc

Notes

Manitowoc

CWT ASSY, REMOVABLE
C/W REMOVABLE / STD.



Manitowoc

Description

CWT ASSY, REMOVABLE

Assembly No.

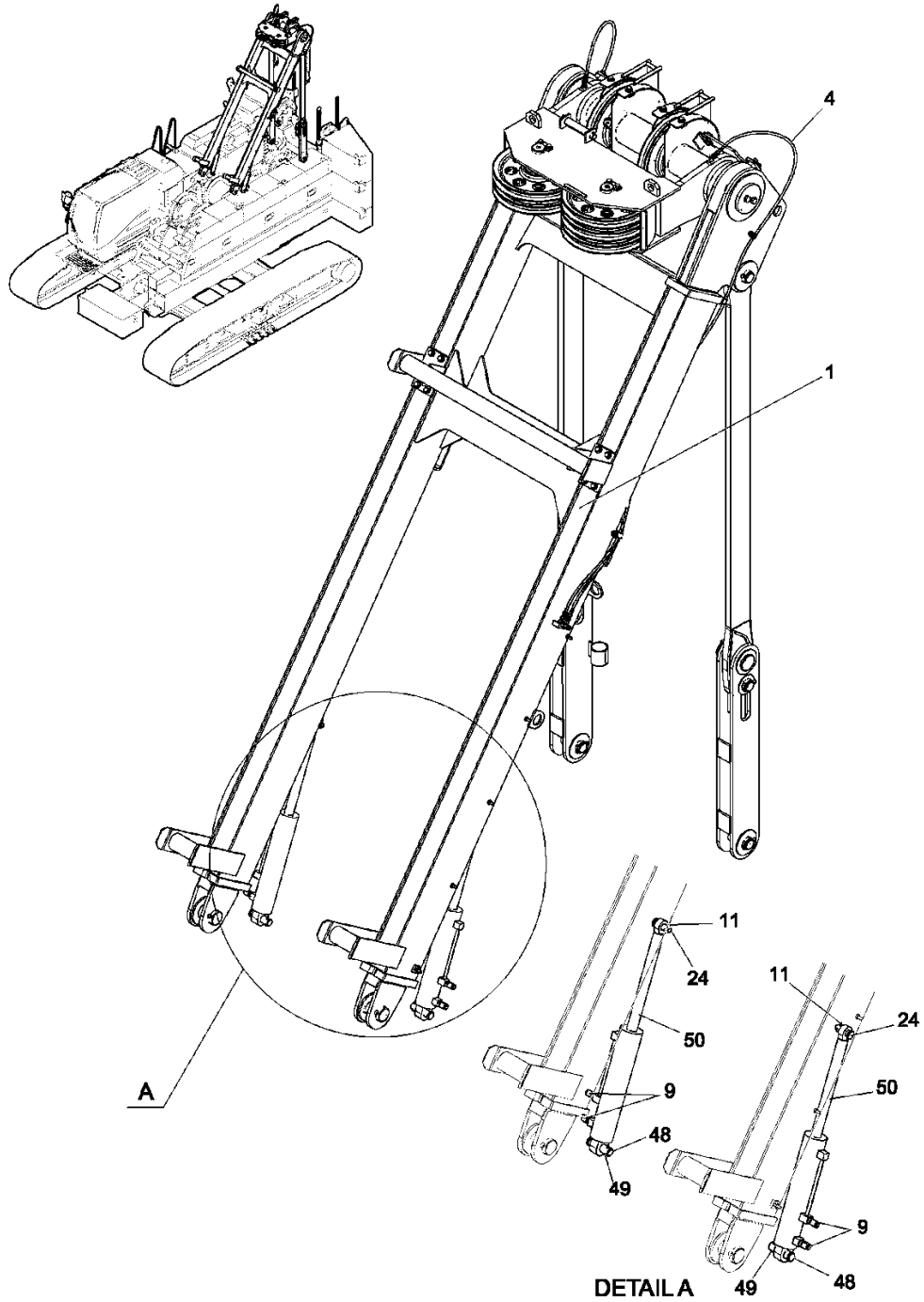
9999431009

Revision:

Item	FN	Part	Qty	Description
2		9999431963	4	LINK
3		9999431964	12	PIN
4		9999427715	8	PIN, SPRING
5		9999424607	4	PIN, SPLIT
6		9999432220	4	PIN
7		9999422241	5	PIN
9		9999432114	1	PIN
10		9999432240	4	WSHR
11		9999432112	1	HANDLE
14		9999431975	4	LINK

Manitowoc

GANTRY ASSY



Manitowoc

Description
GANTRY ASSY

Assembly No.
9999431011
Revision:

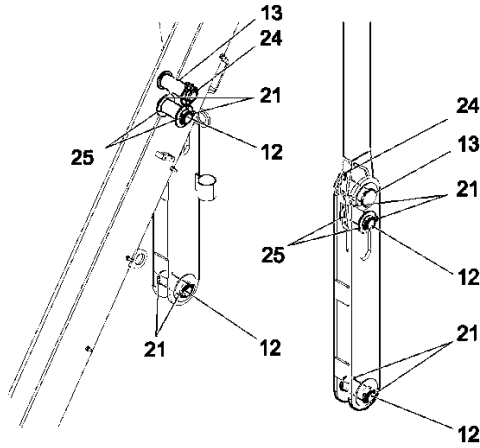
Item	FN	Part	Qty	Description
1	+	9999431010	1	GANTRY ASSY, SUB
4	+	9999431058	1	LUB LINES, GANTRY
9		9999423678	4	JOINT, SWIVEL
11		9999424605	2	PIN, SPLIT
24		9999431986	2	PIN
48		9999432099	2	PIN
49		9999429156	2	PIN, SPLIT
50		9999431194	2	CYL ASSY,GANTRY

+ SEE FURTHER BREAKDOWN THIS GROUP

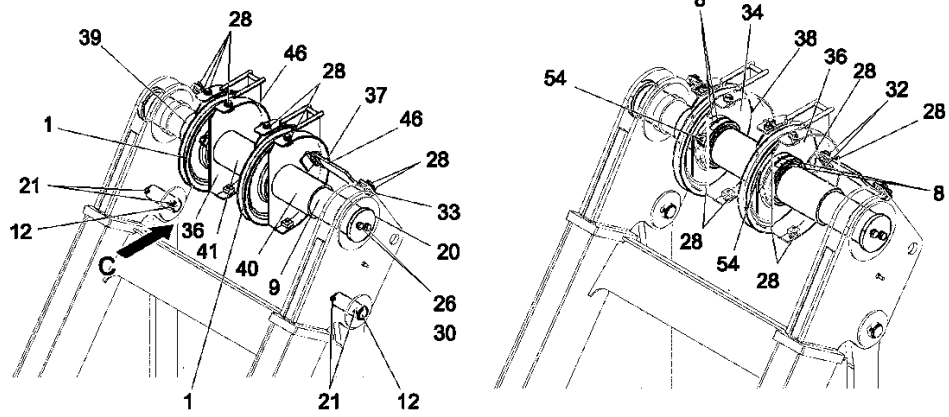
Manitowoc

Notes

Manitowoc



DETAIL A

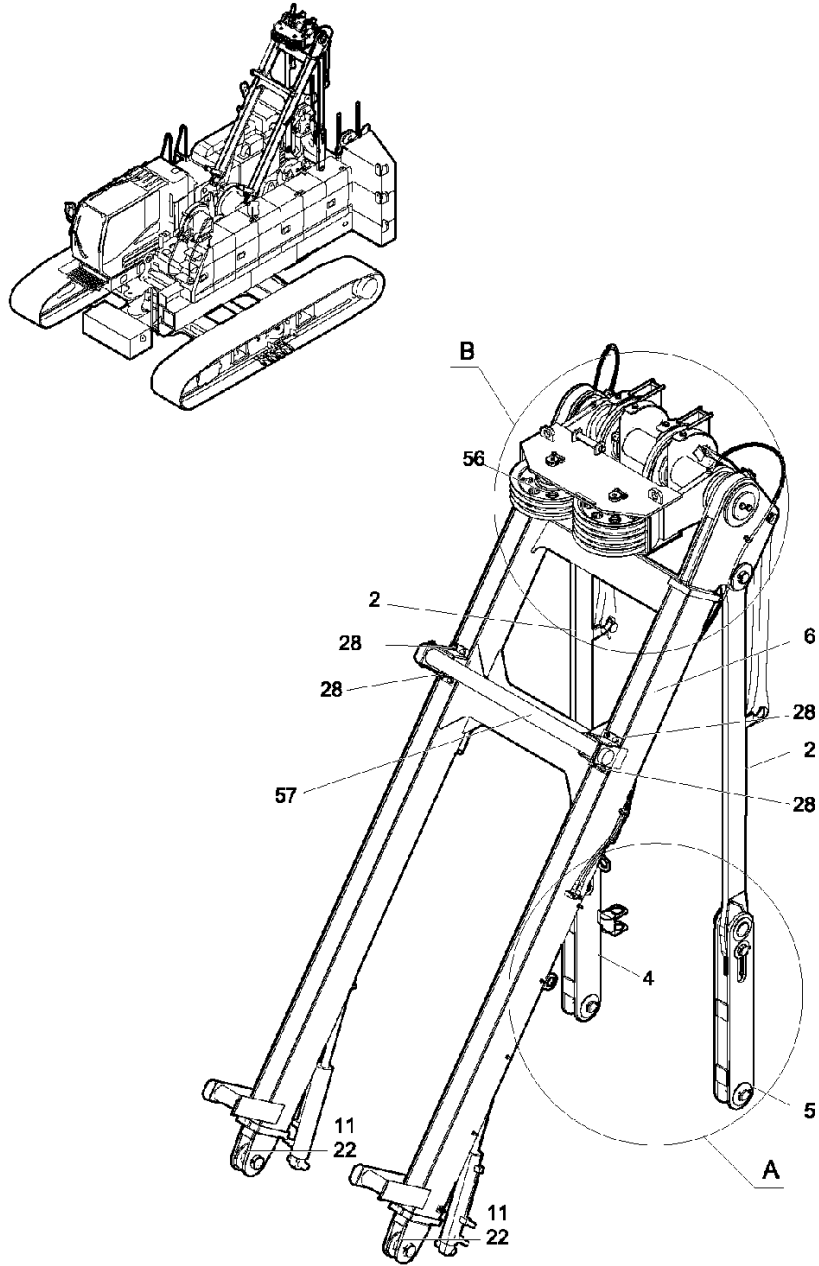


DETAIL B

VIEW C

Manitowoc

GANTRY ASSY, SUB



Manitowoc

Description
GANTRY ASSY, SUB

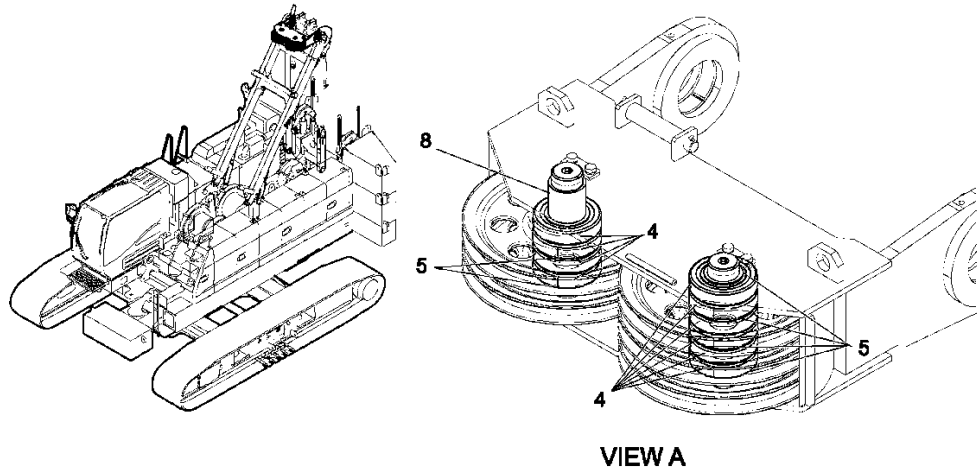
Assembly No.
9999431010
 Revision:

Item	FN	Part	Qty	Description
1		9999431977	2	SHEAVE
2		9999431991	2	MEMBER, TENS, GANTRY
4		9999431992	1	MEMBER, TENS, GANTRY
5		9999431993	1	MEMBER, TENS, GANTRY
6		9999431990	1	MEMBER, COMP, GANTRY
8		9999408842	4	BEARING
9		9999431978	1	PIN
11		9999422225	2	PIN
12		9999431976	6	PIN
13		9999431983	2	PIN
20		9999407471	2	PLATE
21		9999419820	12	PIN, SPLIT
22		9999419823	4	PIN, SPLIT
24		9999427717	2	PIN, SPRING
25		9999408244	4	WASHER,
26		9999424717	4	CAPSCREW
28		9999424528	24	SEMS-BOLT
30		9999421388	4	LOCK WASHER
32		9999419664	4	SEMS-BOLT
33		9999431984	1	PLATE
34		9999431985	1	PLATE
36		9999431979	2	GUARD
37		9999431980	1	GUARD
38		9999431981	1	GUARD
39		9999431082	1	SPACER
40		9999431083	1	SPACER
41		9999431084	1	SPACER
46		9999431982	2	GUARD
54		9999421341	2	NIPPLE, GREASE
56	+	9999431016	1	SPREADER ASSY, LOW
57		9999431987	1	BRKT

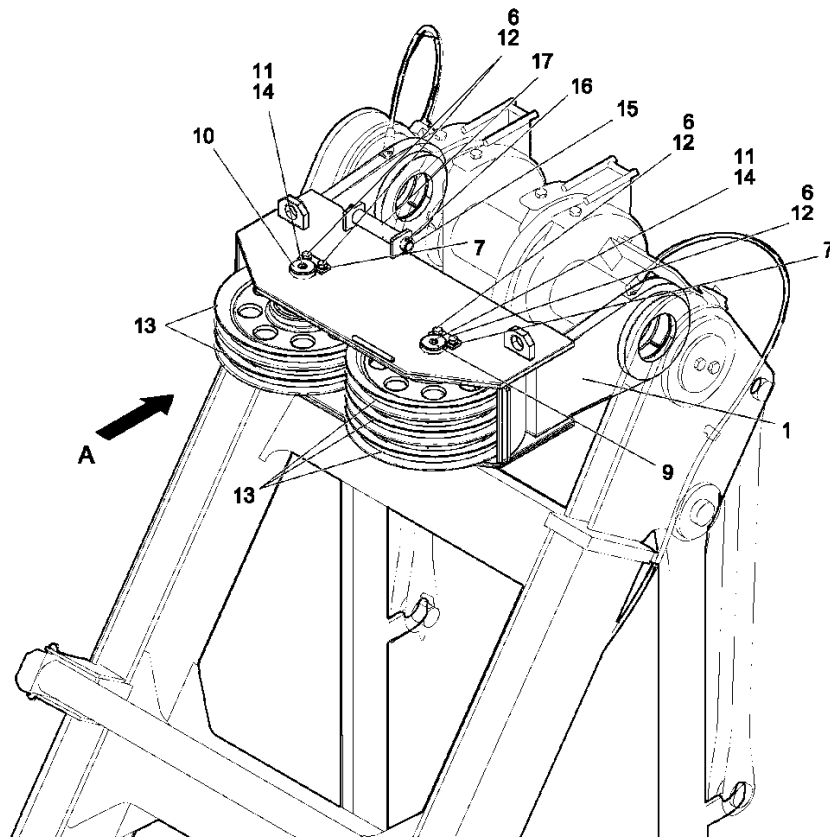
+ SEE FURTHER BREAKDOWN THIS GROUP

Manitowoc

SPREADER ASSY, LOW



VIEW A



Manitowoc

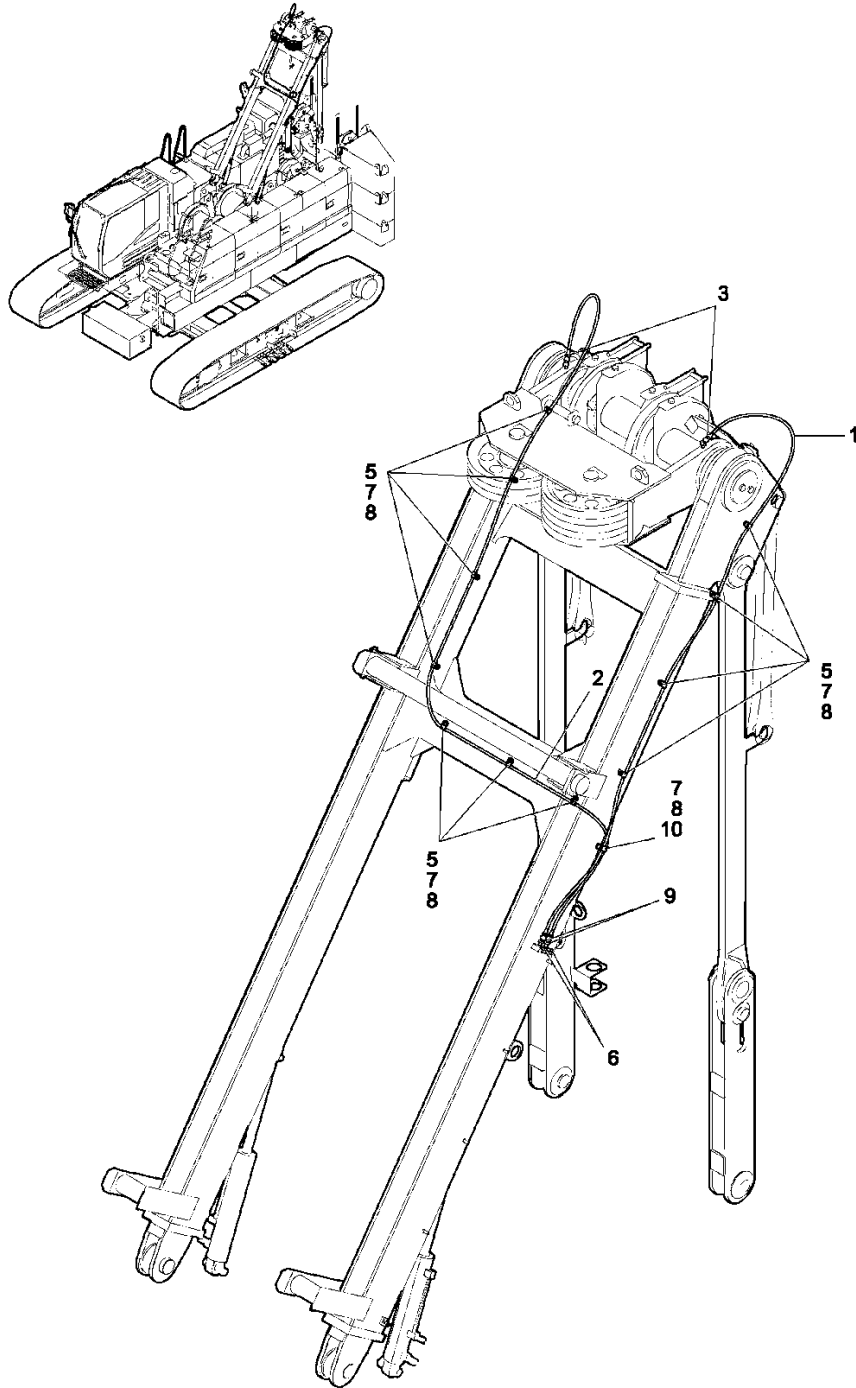
Description
SPREADER ASSY, LOW

Assembly No.
9999431016
Revision:

Item	FN	Part	Qty	Description
1		9999431997	1	FRAME
4		9999408847	10	BEARING
5		9999406169	6	WASHER,
6		9999421374	4	CAPSCREW
7		9999402756	2	PLATE, KEEPER
8		9999422135	1	SPACER
9		9999431995	1	PIN
10		9999431996	1	PIN
11		9999421341	2	NIPPLE, GREASE
12		9999421387	4	LOCK WASHER
13		9999421517	5	SHEAVE
14		9999422650	2	CAP
15		9999432043	1	PIN
16		9999419813	2	PIN, SPLIT
17		9999432357	1	SPACER

Manitowoc

LUB LINES, GANTRY



Manitowoc

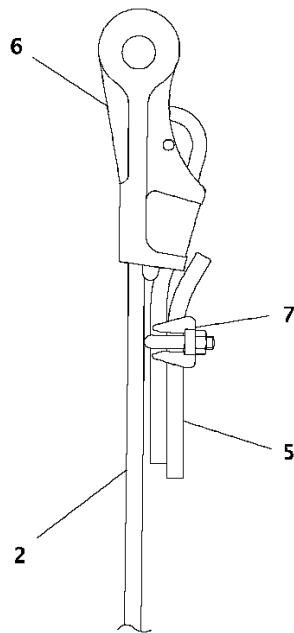
Description
LUB LINES, GANTRY

Assembly No.
9999431058
Revision:

Item	FN	Part	Qty	Description
1		9999431091	1	HOSE
2		9999431093	1	HOSE
3		9999419573	2	ELBOW, 45
5		9999406256	11	CLIP
6		9999424472	2	NIPPLE, GREASE
7		9999424567	12	NUT
8		9999424877	12	LOCK WASHER
9		9999424483	2	CONNECTOR
10		9999406261	1	CLIP

Manitowoc

WIRE ROPE ASSY
FRONT/OPTION



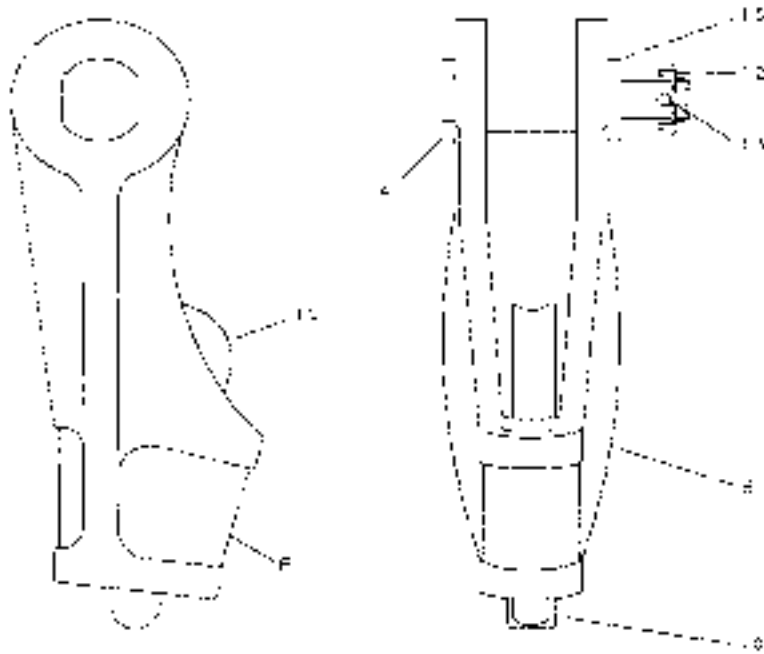
Manitowoc

Description
WIRE ROPE ASSY MAIN

Assembly No.
9999429417
Revision:

Item	FN	Part	Qty	Description
2		9999429188	1	WIRE ROPE
5		9999429504	1	WIRE ROPE
6	+	9999401111	1	SOCKET ASSY
7		9999406008	1	CLAMP

+ SEE FURTHER BREAKDOWN THIS GROUP



Manitowoc

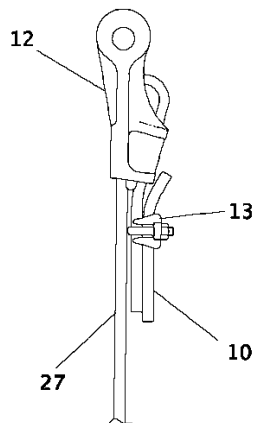
Description
SOCKET ASSY

Assembly No.
9999401111
Revision:

Item	FN	Part	Qty	Description
6		9999406101	1	SOCKET
10		9999422632	1	WEDGE, ROPE
12		9999419709	1	NUT
13		9999424589	1	PIN, SPLIT
14		9999403319	1	BOLT
15		9999402767	1	WASHER,

Manitowoc

WIRE ROPE ASSY
FRONT



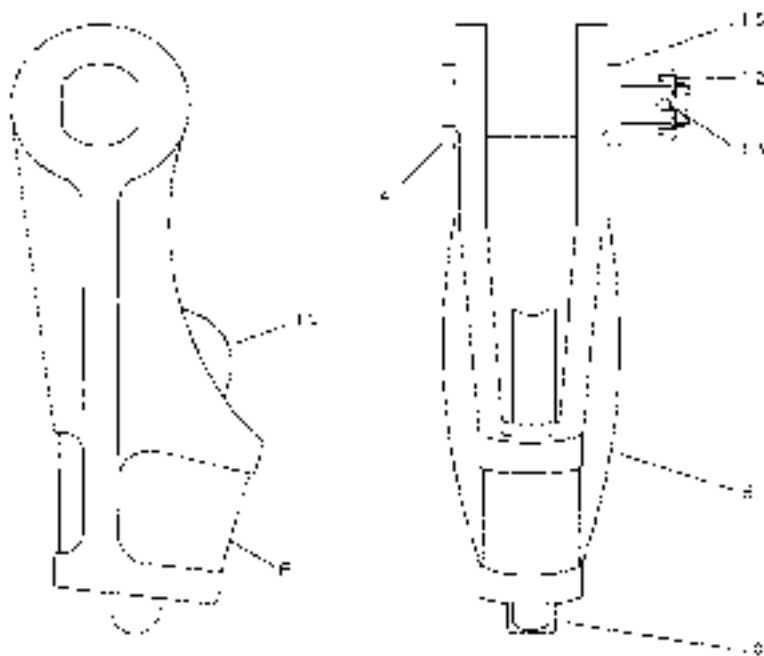
Manitowoc

Description
WIRE ROPE ASSY FRT

Assembly No.
9999429968
Revision:

Item	FN	Part	Qty	Description
10		9999428799	1	WIRE ROPE
12	+	9999401111	1	SOCKET ASSY
13		9999406008	1	CLAMP
27		9999429982	1	WIRE ROPE

+ SEE FURTHER BREAKDOWN THIS GROUP



Manitowoc

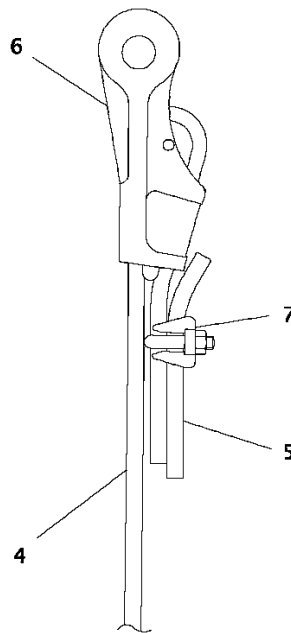
Description
SOCKET ASSY

Assembly No.
9999401111
Revision:

Item	FN	Part	Qty	Description
6		9999406101	1	SOCKET
10		9999422632	1	WEDGE, ROPE
12		9999419709	1	NUT
13		9999424589	1	PIN, SPLIT
14		9999403319	1	BOLT
15		9999402767	1	WASHER,

Manitowoc

WIRE ROPE ASSY
REAR



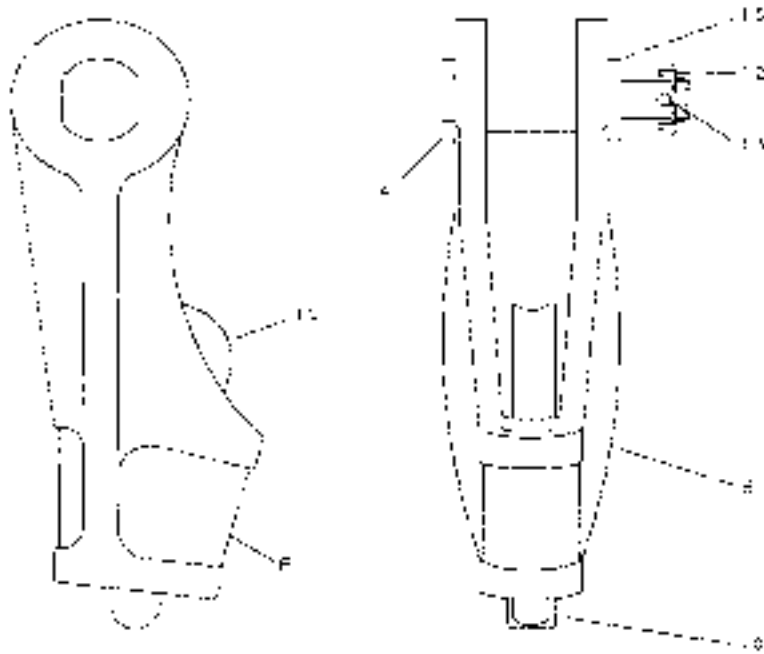
Manitowoc

Description
WIRE ROPE ASSY AUX

Assembly No.
9999429418
Revision:

Item	FN	Part	Qty	Description
4		9999429189	1	WIRE ROPE
5		9999429504	1	WIRE ROPE
6	+	9999401111	1	SOCKET ASSY
7		9999406008	1	CLAMP

+ SEE FURTHER BREAKDOWN THIS GROUP



Manitowoc

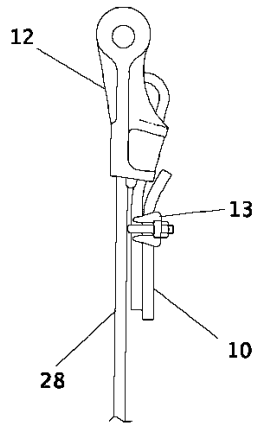
Description
SOCKET ASSY

Assembly No.
9999401111
Revision:

Item	FN	Part	Qty	Description
6		9999406101	1	SOCKET
10		9999422632	1	WEDGE, ROPE
12		9999419709	1	NUT
13		9999424589	1	PIN, SPLIT
14		9999403319	1	BOLT
15		9999402767	1	WASHER,

Manitowoc

WIRE ROPE ASSY
REAR



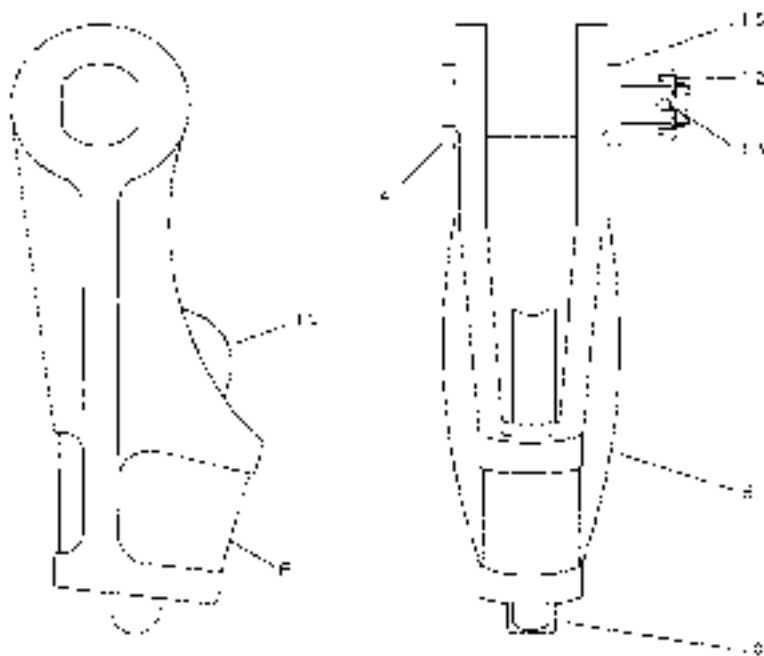
Manitowoc

Description
WIRE ROPE ASSY RR

Assembly No.
9999429969
Revision:

Item	FN	Part	Qty	Description
10		9999428799	1	WIRE ROPE
12	+	9999401111	1	SOCKET ASSY
13		9999406008	1	CLAMP
28		9999429981	1	WIRE ROPE

+ SEE FURTHER BREAKDOWN THIS GROUP



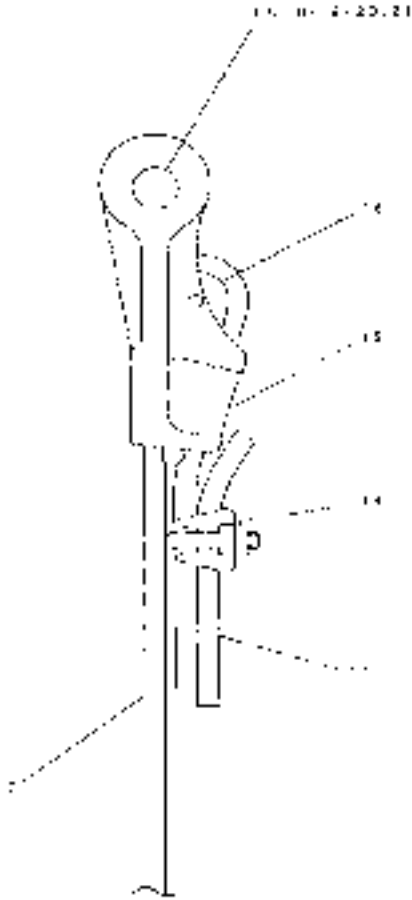
Manitowoc

Description
SOCKET ASSY

Assembly No.
9999401111
Revision:

Item	FN	Part	Qty	Description
6		9999406101	1	SOCKET
10		9999422632	1	WEDGE, ROPE
12		9999419709	1	NUT
13		9999424589	1	PIN, SPLIT
14		9999403319	1	BOLT
15		9999402767	1	WASHER,

Manitowoc



Manitowoc

Description

WIRE ROPE ASSY BOOM

Assembly No.

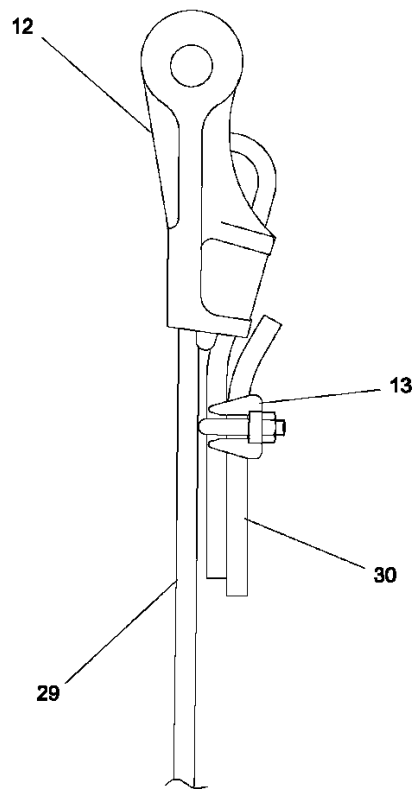
9999429416

Revision:

Item	FN	Part	Qty	Description
7		9999426077	1	WIRE ROPE
11		9999425660	1	WIRE ROPE
14		9999425252	1	CLAMP
15		9999423797	1	SOCKET, ROPE
16		9999422633	1	WEDGE, ROPE
17		9999423715	1	BOLT
18		9999424573	1	NUT
19		9999420407	1	WASHER,
20		9999423716	1	WASHER,
21		9999419815	1	PIN

Manitowoc

WIRE ROPE ASSY
THIRD (OPT.) / \varnothing 22x145m



Manitowoc

Description

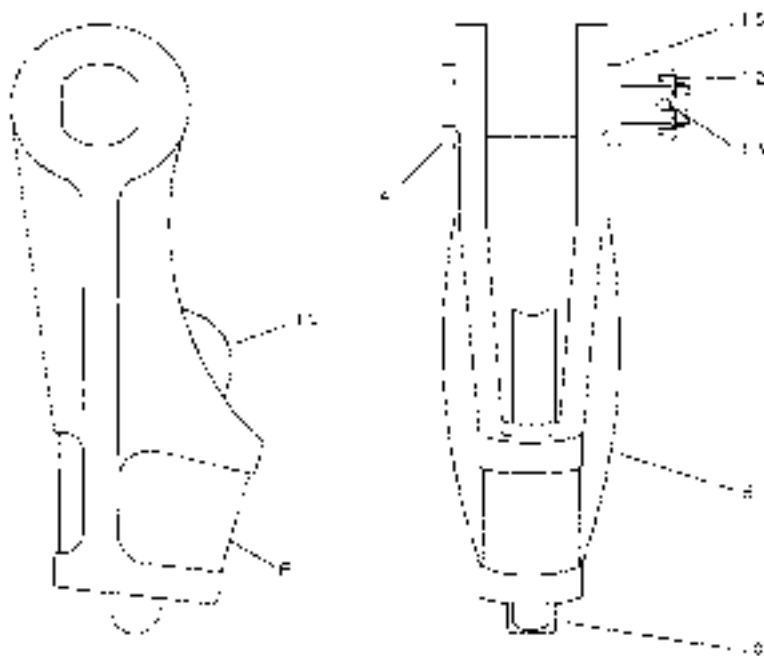
WIRE ROPE ASSY 3RD / 22 x 145m

Assembly No.

9999431055

Revision:

Item	FN	Part	Qty	Description
12		9999401111	1	SOCKET ASSY
13		9999406008	1	CLAMP
29		9999431076	1	WIRE ROPE
30		9999429504	1	WIRE ROPE



Manitowoc

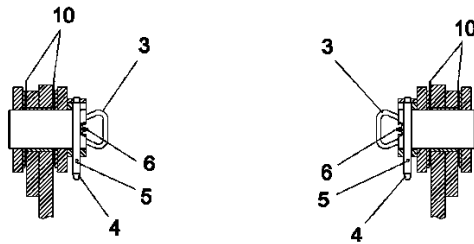
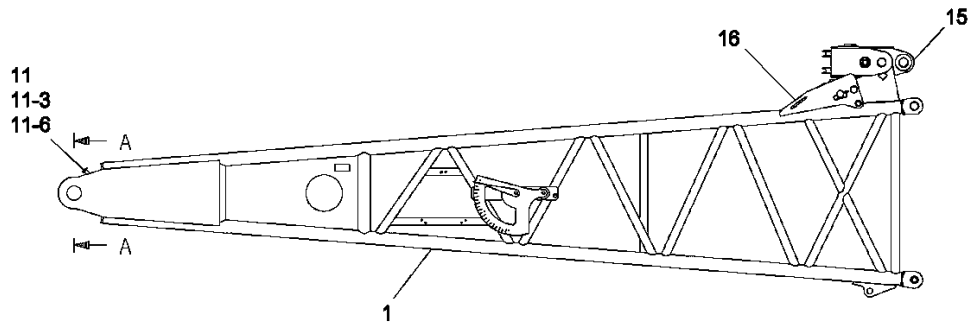
Description
SOCKET ASSY

Assembly No.
9999401111
Revision:

Item	FN	Part	Qty	Description
6		9999406101	1	SOCKET
10		9999422632	1	WEDGE, ROPE
12		9999419709	1	NUT
13		9999424589	1	PIN, SPLIT
14		9999403319	1	BOLT
15		9999402767	1	WASHER,

Manitowoc

BOOM ASSY, LOW



SECTION A-A

Manitowoc

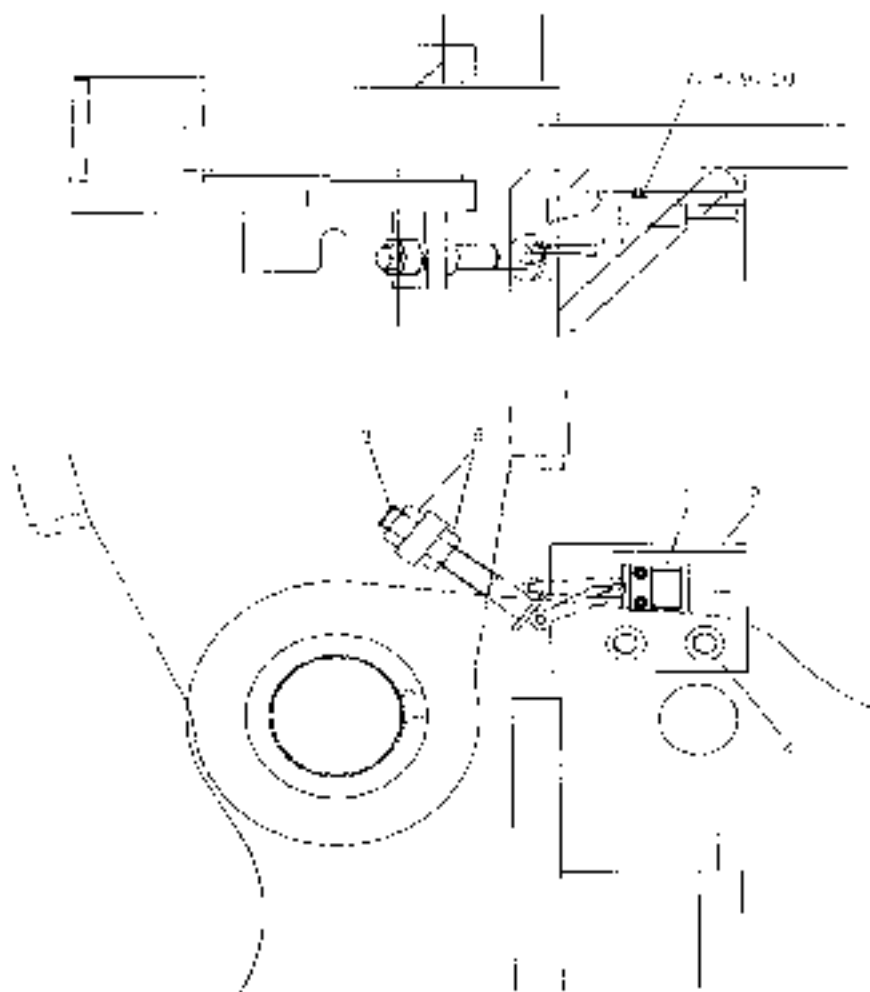
Description
BOOM ASSY, LOW

Assembly No.
9999430824
Revision:

Item	FN	Part	Qty	Description
1		9999431272	1	BOOM, LOW
3		9999407688	2	PIN
4		9999402982	2	PIN
5		9999400166	2	PIN
6		9999421341	2	NIPPLE, GREASE
10		9999407691	4	SHIM,
11		9999423589	1	SWITCH ASSEMBLY - LIMIT (BOOMSIDE)
11-3		9999408595	1	ROD, PUSH
11-6		9999424570	2	NUT
15	+	9999423754	1	SPREADER ASSY, UPP
16	+	9999423763	1	SPREADER GUIDE ASSY

+ SEE FURTHER BREAKDOWN THIS GROUP

Manitowoc



Manitowoc

Description

SWITCH ASSEMBLY - LIMIT (BOOMSIDE)

Assembly No.

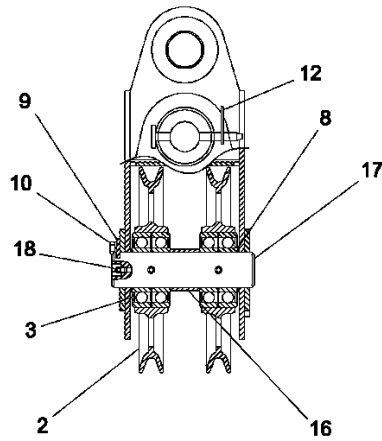
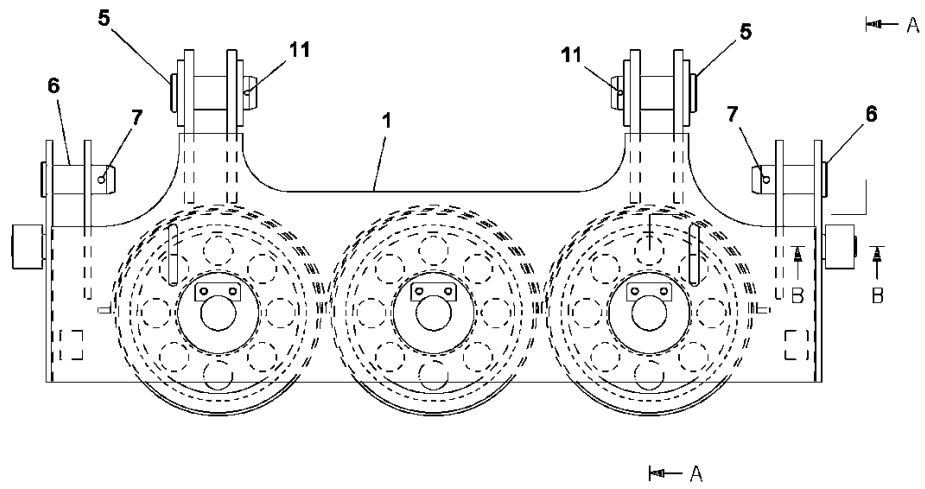
9999423589

Revision:

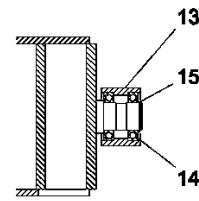
Item	FN	Part	Qty	Description
3		9999408595	1	ROD, PUSH
6		9999424570	2	NUT

Manitowoc

SPREADER ASSY, UPP



SECTION A-A



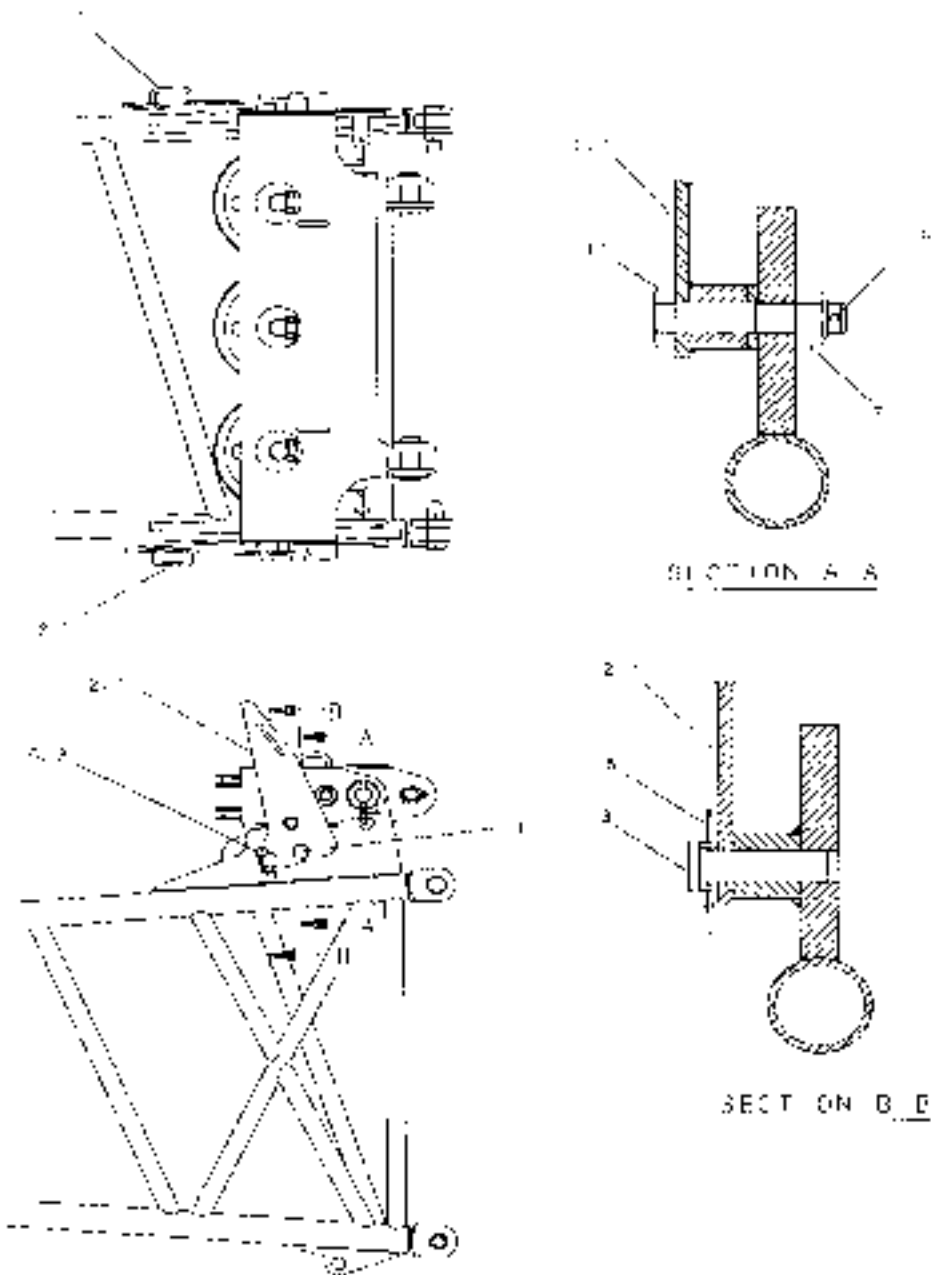
SECTION B-B

Manitowoc

Description
SPREADER ASSY, UPP

Assembly No.
9999423754
 Revision:

Item	FN	Part	Qty	Description
1		9999423755	1	SPREADER, UPP
2		9999421535	6	SHEAVE
3		9999408847	12	BEARING
5		9999421545	2	PIN
6		9999406669	2	PIN
7		9999427716	2	PIN, SPRING
8		9999406169	6	WASHER,
9		9999402756	3	PLATE, KEEPER
10		9999419663	6	SEMS-BOLT
11		9999421527	2	PIN, SPLIT
12		9999400165	2	PIN, SPLIT
13		9999422184	2	COLLAR
14		9999422348	4	BEARING
15		9999424627	2	RING, RETAINING
16		9999422134	3	SPACER
17		9999408314	3	PIN
18		9999421341	3	NIPPLE, GREASE



Manitowoc

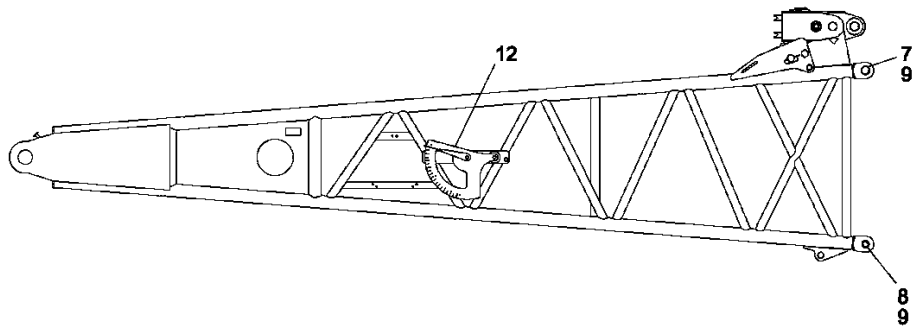
Description
SPREADER GUIDE ASSY

Assembly No.
9999423763
Revision:

Item	FN	Part	Qty	Description
1		9999423760	1	LINK
2		9999423761	1	LINK
3		9999403040	2	PIN
6		9999402920	2	PIN, LOCK
7		9999419758	2	U-NUT
10		9999424606	2	PIN
11		9999423759	2	CAPSCREW

Manitowoc

BOOM ASSY, LOW



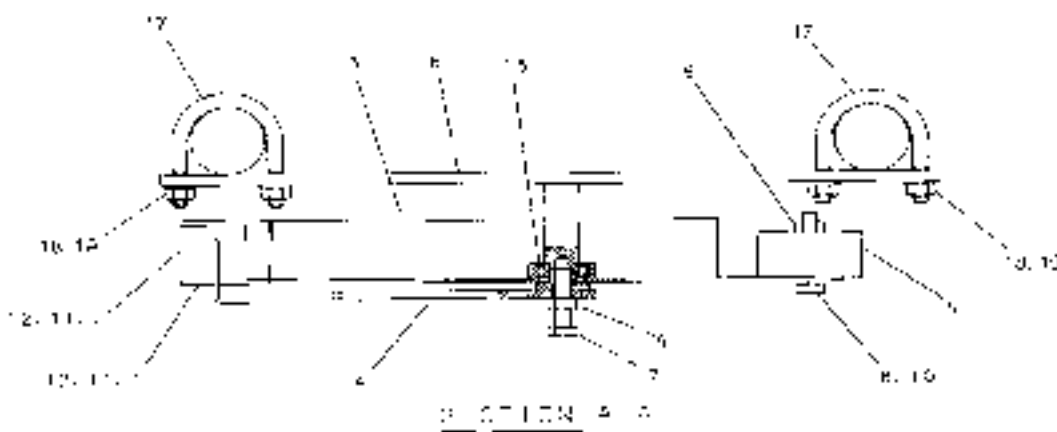
Manitowoc

Description
BOOM ASSY, LOW

Assembly No.
9999430825
Revision:

Item	FN	Part	Qty	Description
7		9999421522	2	PIN
8		9999407692	2	PIN
9		9999427716	6	PIN, SPRING
12	+	9999408197	1	ANGLE METER INSTAL

+ SEE FURTHER BREAKDOWN THIS GROUP



Manitowoc

Description

ANGLE METER INSTAL

Assembly No.

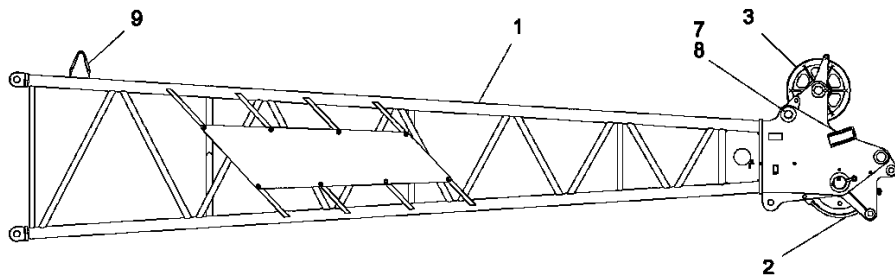
9999408197

Revision:

Item	FN	Part	Qty	Description
1		9999402264	1	PLATE
2		9999402265	1	PLATE
3		9999408199	1	BRACKET
4		9999402036	1	BRACKET
5		9999403591	1	WEIGHT
6		9999408200	1	BRACKET
7		9999422291	1	CAPSCREW
8		9999424707	1	CAPSCREW
9		9999421348	2	NUT
10		9999421387	1	LOCK WASHER
11		9999424783	6	CAPSCREW
12		9999424873	6	LOCK WASHER
16		9999422347	1	BEARING
17		9999427722	2	U-BOLT
18		9999419755	4	U-NUT
19		9999424855	4	WASHER,

Manitowoc

BOOM ASSY, UPP



Manitowoc

Description
BOOM ASSY, UPP

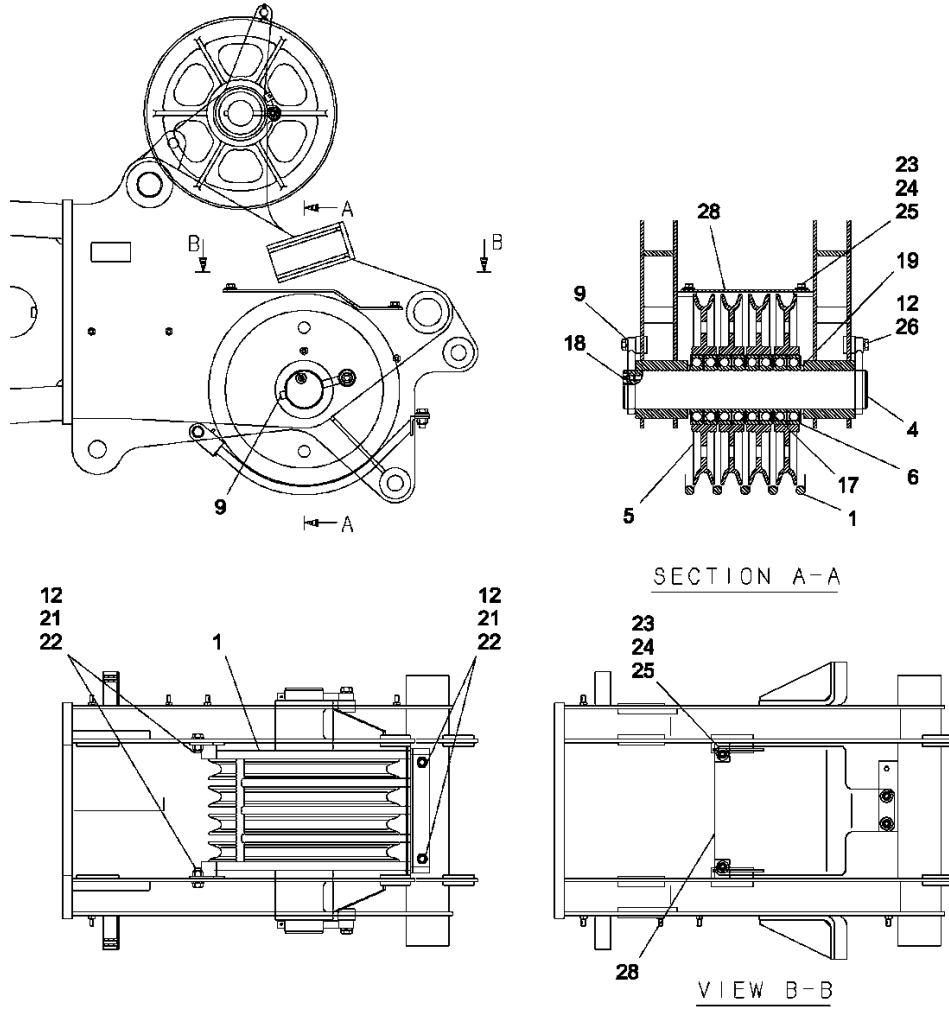
Assembly No.
9999430844
Revision:

Item	FN	Part	Qty	Description
1		9999431329	1	BOOM, UPP
2	+	9999431015	1	SHEAVE ASSY, B.POINT
3	+	9999423744	1	SHEAVE ASSEMBLY - IDLER
7		9999421545	2	PIN
8		9999424609	2	COTTER PIN
9	+	9999401069	1	ROLLER ASSY, GUIDE

+ SEE FURTHER BREAKDOWN THIS GROUP

Manitowoc

SHEAVE ASSY, B. POINT

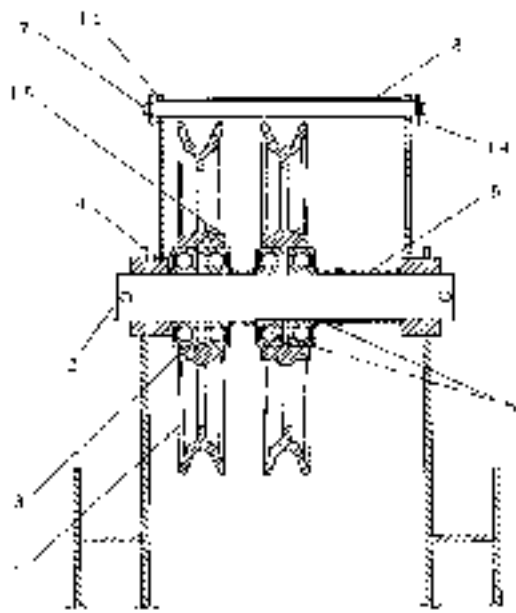
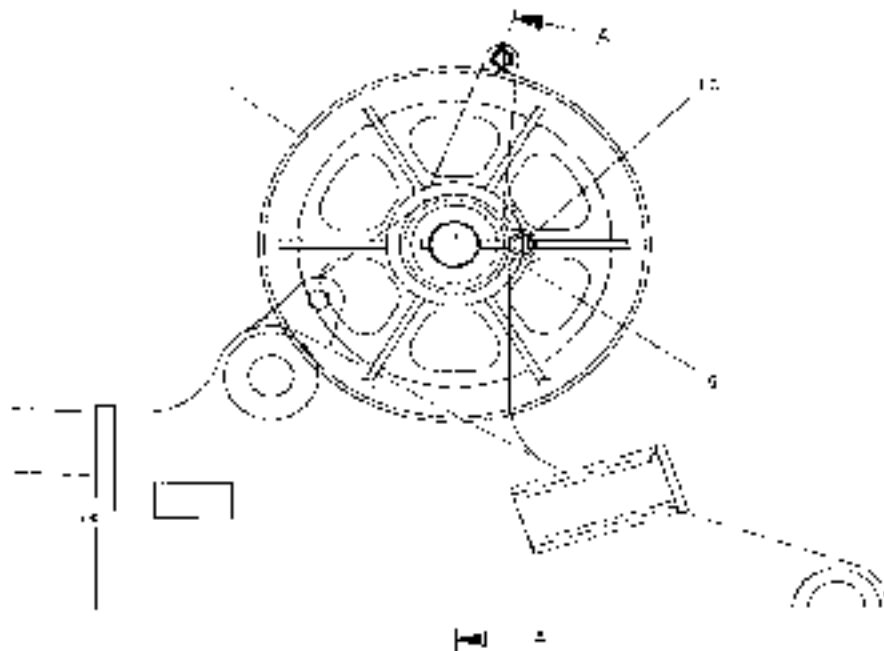


Manitowoc

Description
SHEAVE ASSY, B.POINT

Assembly No.
9999431015
 Revision:

Item	FN	Part	Qty	Description
1		9999408306	1	GUARD, SHEAVE
4		9999423749	1	PIN
5		9999421533	4	SHEAVE
6		9999408835	8	BEARING, BALL
9		9999400157	2	ROD END
12		9999424718	6	CAPSCREW
17		9999402761	3	WASHER,
18		9999421342	2	NIPPLE, GREASE
19		9999402760	2	WASHER,
21		9999424858	4	WASHER,
22		9999419757	4	U-NUT
23		9999424702	4	CAPSCREW
24		9999421387	4	LOCK WASHER
25		9999402774	4	WASHER,
26		9999421388	2	LOCK WASHER
28		9999431994	1	GUARD, SHEAVE



SECTION A-A

Manitowoc

Description

SHEAVE ASSEMBLY - IDLER

Assembly No.

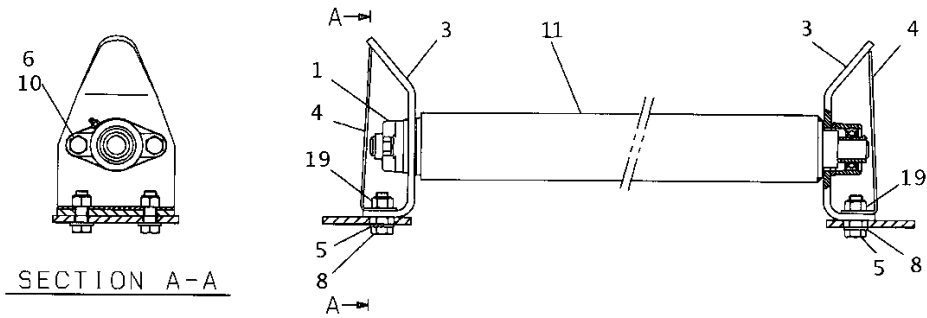
9999423744

Revision:

Item	FN	Part	Qty	Description
1		9999408295	2	SHEAVE
2		9999408308	1	PIN
3		9999408836	4	BEARING, BALL
4		9999406172	6	WASHER,
5		9999425000	2	SPACER
6		9999425001	1	SPACER
7		9999408299	1	PIN
8		9999421167	1	SPACER
9		9999400159	2	ROD END
10		9999419665	2	BOLT
14		9999419813	2	PIN, SPLIT
15		9999419438	2	PLUG
16		9999424860	2	WASHER,

Manitowoc

ROLLER ASSY, GUIDE
FOR UPP. BOOM



Manitowoc

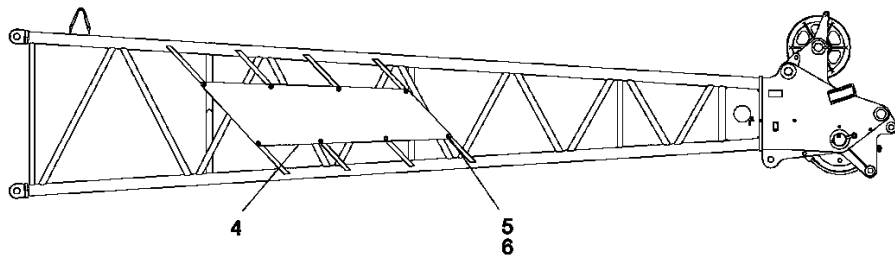
Description
ROLLER ASSY, GUIDE

Assembly No.
9999401069
Revision:

Item	FN	Part	Qty	Description
1		9999403652	2	BEARING
3		9999402047	2	BRACKET
4		9999402177	2	BRACKET
5		9999424719	4	CAPSCREW
6		9999424713	4	CAPSCREW
8		9999424858	4	WASHER,
10		9999424878	4	LOCK WASHER
11		9999406156	1	ROLLER
19		9999419757	4	U-NUT

Manitowoc

BOOM ASSY, UPP



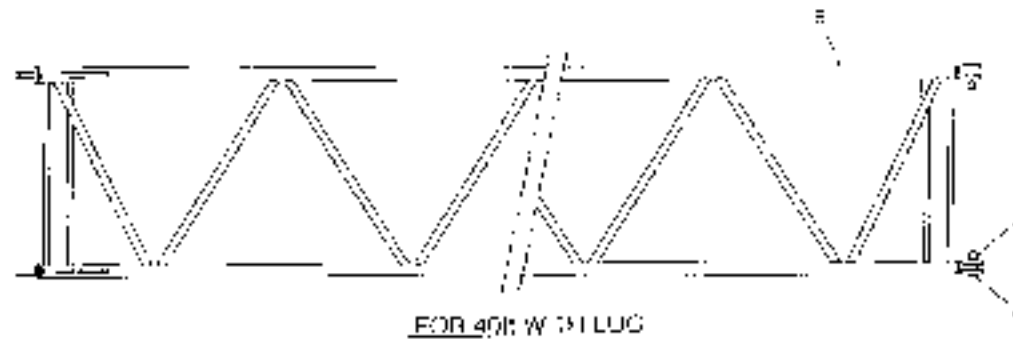
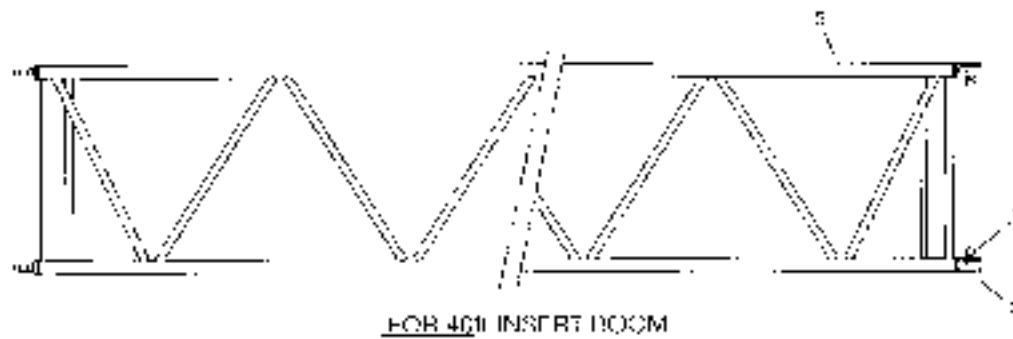
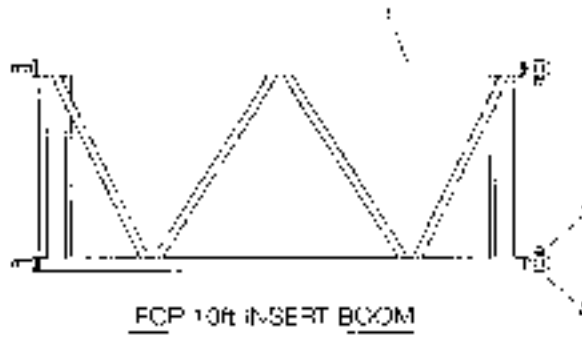
Manitowoc

Description
BOOM ASSY, UPP

Assembly No.
9999430845
Revision:

Item	FN	Part	Qty	Description
4		9999406623	2	PLATE
5		9999424528	16	SEMS-BOLT
6		9999419756	16	U-NUT

Manitowoc



Manitowoc

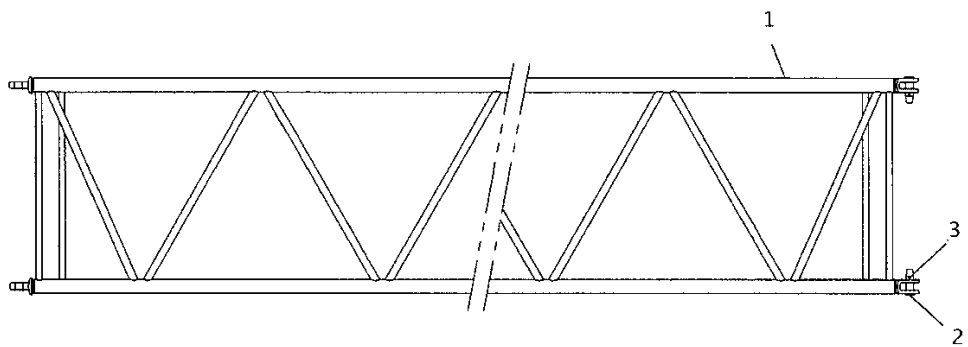
Description
INSERT BOOM(10ft)

Assembly No.
9999423141
Revision:

Item	FN	Part	Qty	Description
1		9999407764	1	BOOM, INSERT
2		9999421522	4	PIN
3		9999427716	4	PIN, SPRING

Manitowoc

BOOM ASSY, INSERT
6.1m · 20ft



Manitowoc

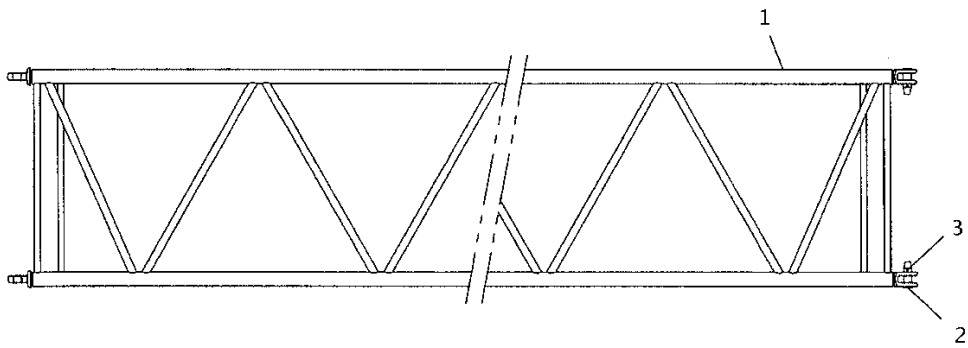
Description
INSERT BOOM(20ft)

Assembly No.
9999423142
Revision:

Item	FN	Part	Qty	Description
1		9999407765	1	BOOM, INSERT
2		9999421522	4	PIN
3		9999427716	4	PIN, SPRING

Manitowoc

BOOM ASSY, INSERT
12.2m · 40ft



Manitowoc

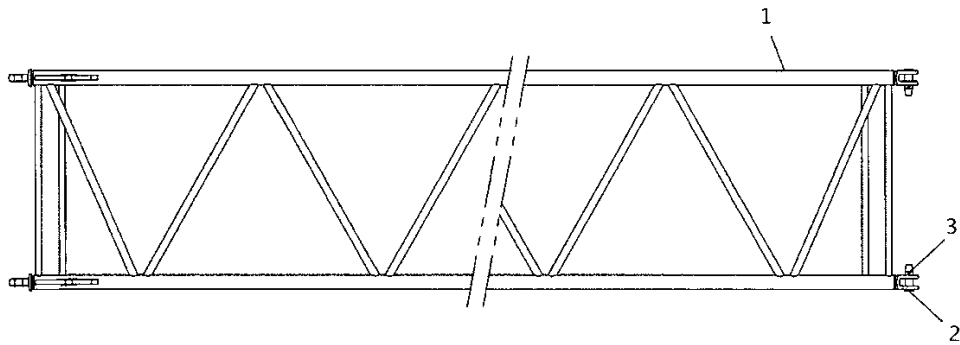
Description
INSERT BOOM(40ft)

Assembly No.
9999407762
Revision:

Item	FN	Part	Qty	Description
1		9999407766	1	BOOM, INSERT
2		9999421522	4	PIN
3		9999427716	4	PIN, SPRING

Manitowoc

BOOM ASSY, INSERT
40ft./WITH BRACKET



Manitowoc

Description

INSERT BOOM(40ft WITH RUG)

Assembly No.

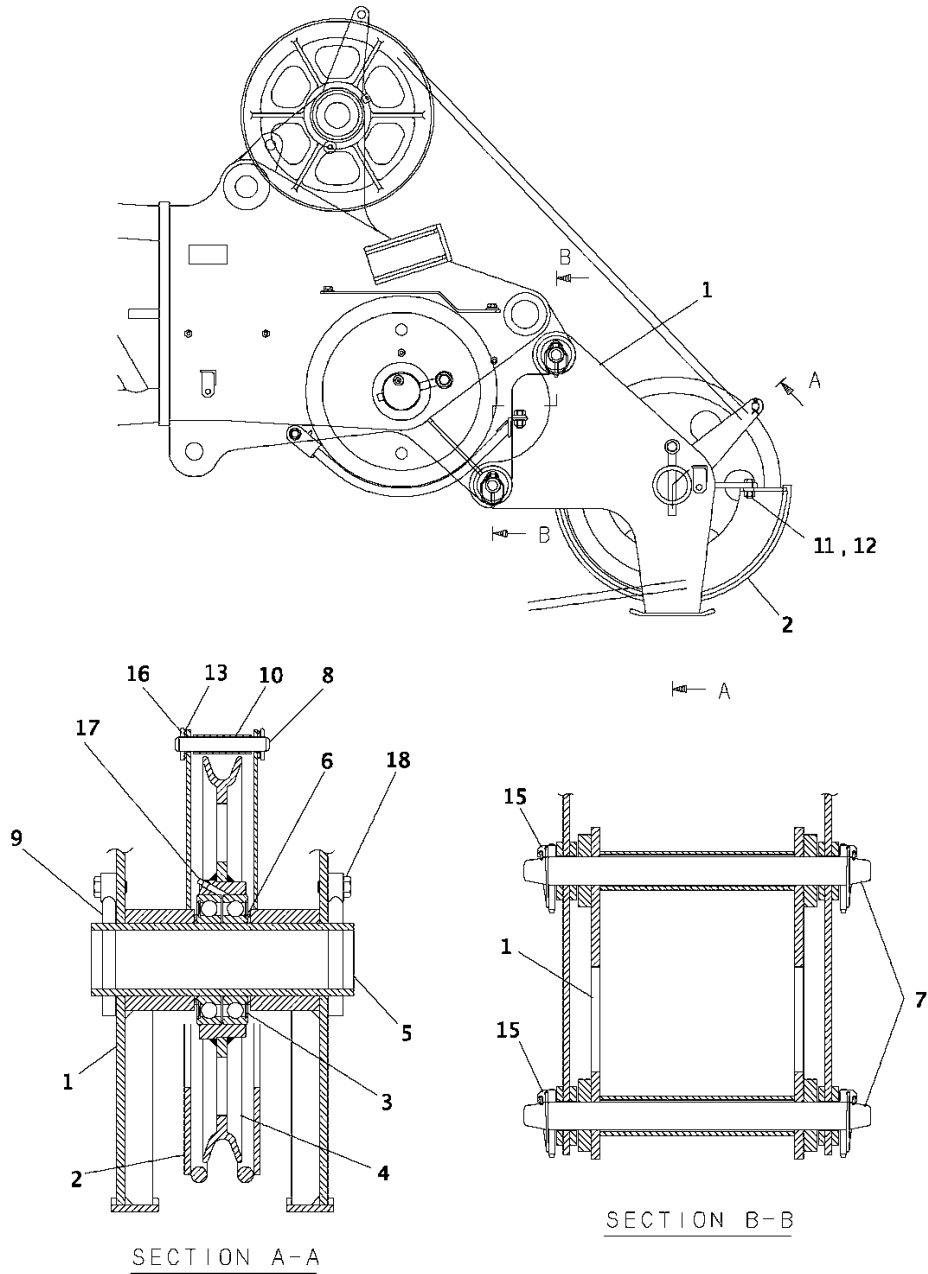
9999407763

Revision:

Item	FN	Part	Qty	Description
1		9999407767	1	BOOM, INSERT
2		9999421522	4	PIN
3		9999427716	4	PIN, SPRING

Manitowoc

SHEAVE ASSY, AUX



Manitowoc

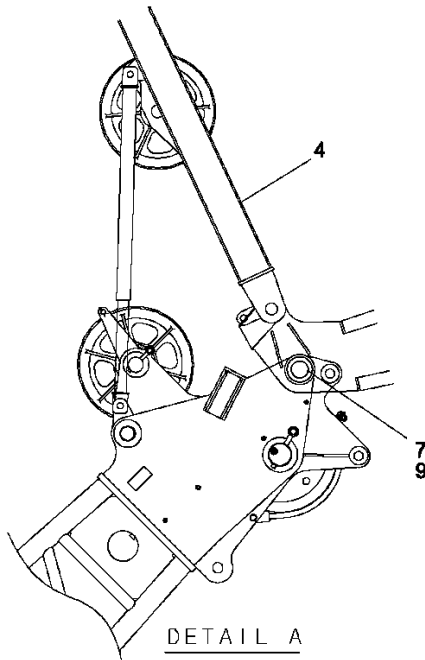
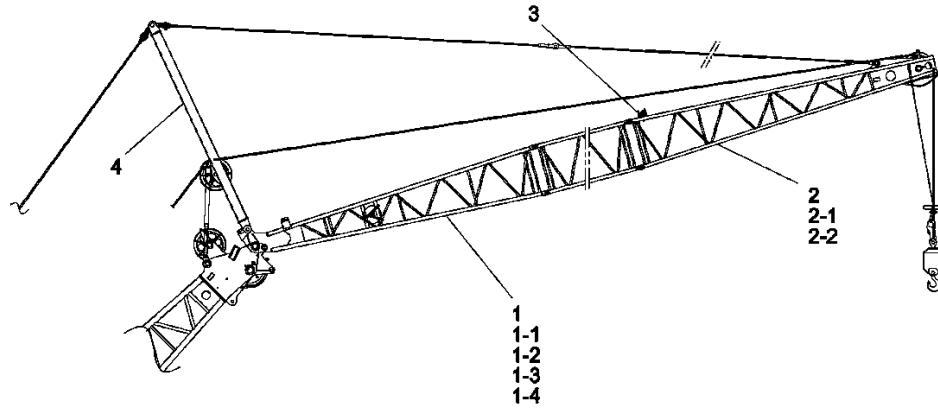
Description
SHEAVE ASSY, AUX

Assembly No.
9999408255
Revision:

Item	FN	Part	Qty	Description
1		9999423733	1	FRAME, SHEAVE, AUX
2		9999423734	1	GUARD, SHEAVE
3		9999408835	2	BEARING, BALL
4		9999408258	1	SHEAVE
5		9999402996	1	PIN
6		9999406168	2	WASHER,
7		9999408262	2	PIN
8		9999423747	1	PIN
9		9999400157	2	ROD END
10		9999424996	1	SPACER
11		9999424718	4	CAPSCREW
12		9999424575	4	U-NUT
13		9999424860	2	WASHER,
15		9999427715	4	PIN, SPRING
16		9999419813	2	PIN, SPLIT
17		9999419438	1	PLUG
18		9999424717	2	CAPSCREW

Manitowoc

JIB ASSY



Manitowoc

Description

JIB ASSY

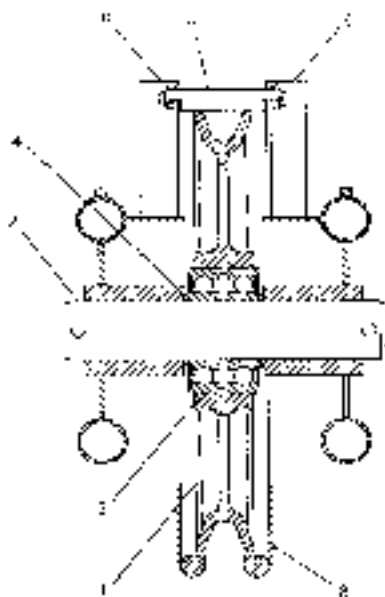
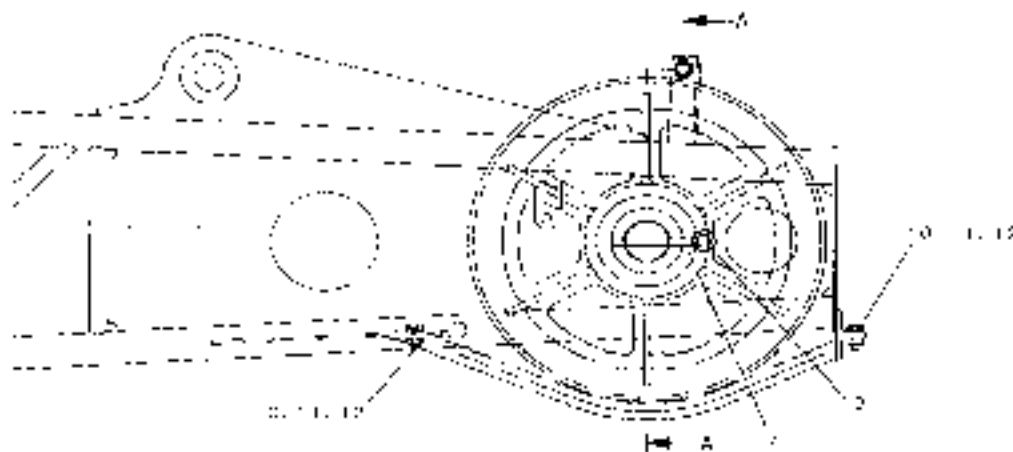
Assembly No.

9999430869

Revision:

Item	FN	Part	Qty	Description
1		9999431363	1	JIB ASSY, LOW
1-1		9999431362	1	JIB, LOW
1-2		9999408789	2	RUBBER
1-3		9999424746	4	CAPSCREW
1-4		9999424861	4	LOCK WASHER
2		9999407834	1	JIB ASSY, UPP
2-1		9999407835	1	JIB, UPP
2-2	+	9999408288	1	SHEAVE ASSY, J.POINT
3	+	9999408210	1	ROLLER ASSY, GUIDE
4	+	9999407855	1	STRUT ASSY, JIB
7		9999402839	1	PIN
9		9999424611	2	PIN, SPLIT

+ SEE FURTHER BREAKDOWN THIS GROUP



Manitowoc

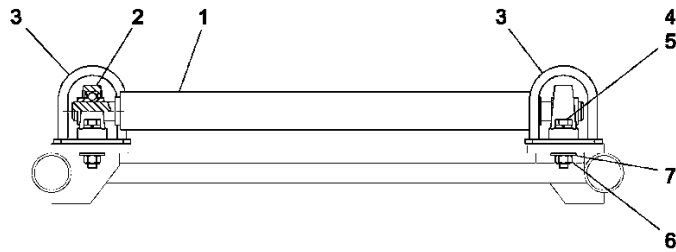
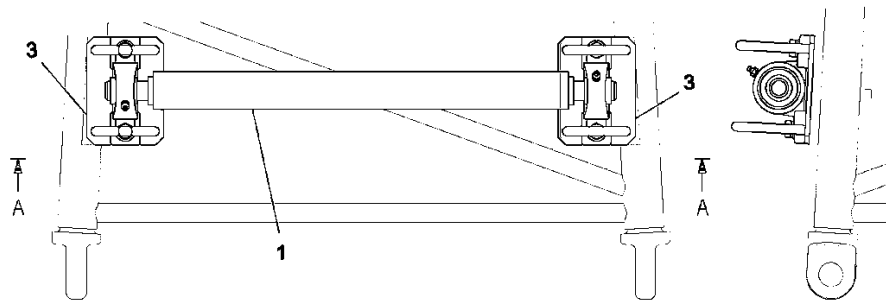
Description
SHEAVE ASSY, J.POINT

Assembly No.
9999408288
Revision:

Item	FN	Part	Qty	Description
1		9999400507	1	SHEAVE
2		9999423750	1	PIN
3		9999421539	2	BEARING
4		9999406172	2	WASHER,
5		9999424997	1	SPACER
6		9999423747	1	PIN
7		9999400159	2	ROD END
8		9999423751	1	GUARD, SHEAVE
9		9999419813	2	PIN, SPLIT
10		9999424703	4	CAPSCREW
11		9999419760	4	U-NUT
12		9999421387	4	LOCK WASHER
13		9999419669	2	SEMS-BOLT

Manitowoc

ROLLER ASSY, GUIDE UPPER JIB



SECTION A-A

Manitowoc

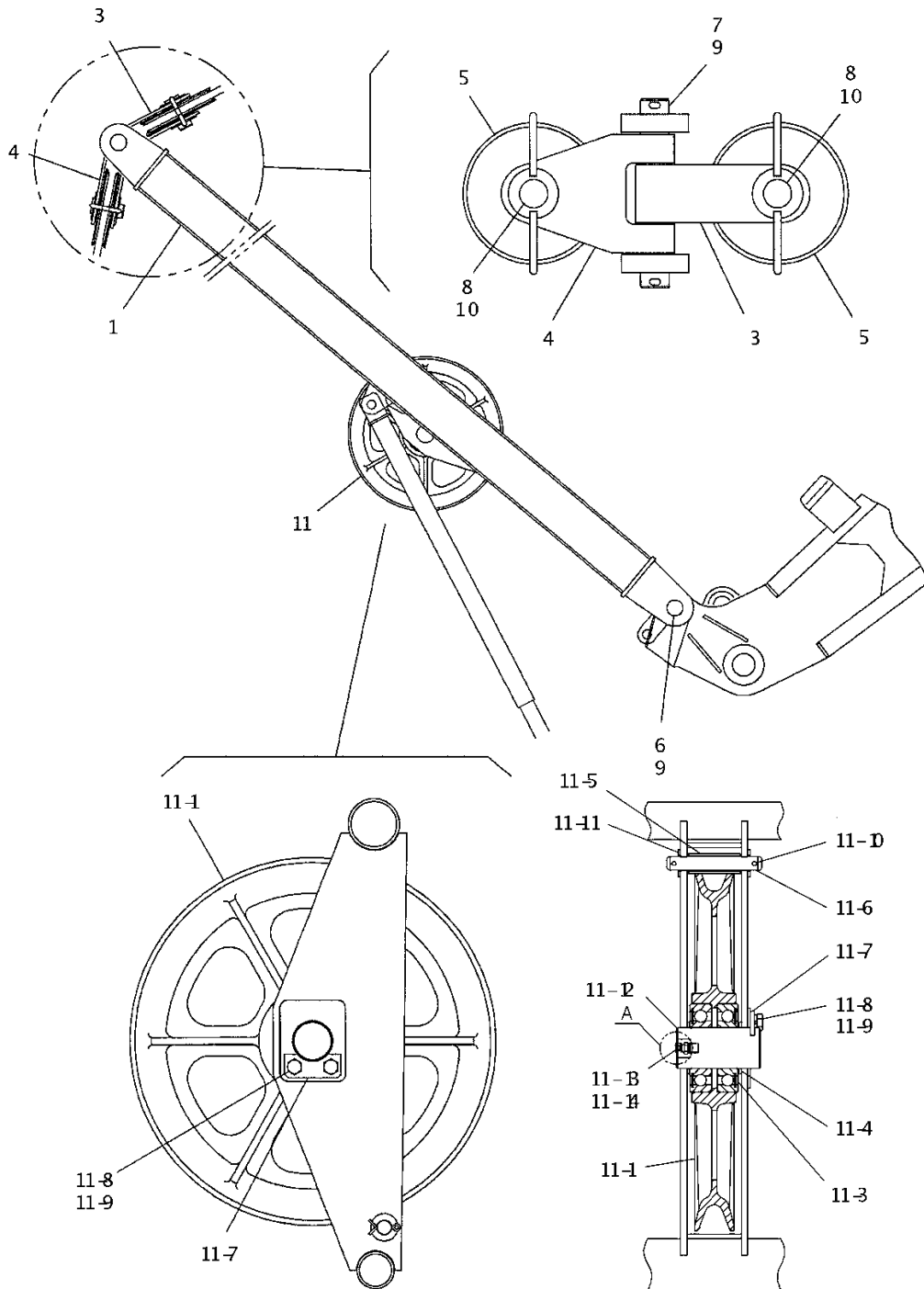
Description
ROLLER ASSY, GUIDE

Assembly No.
9999408210
Revision:

Item	FN	Part	Qty	Description
1		9999407444	1	ROLLER
2		9999422354	2	BEARING
3		9999423699	2	BRACKET
4		9999424706	4	CAPSCREW
5		9999421387	4	LOCK WASHER
6		9999419756	4	U-NUT
7		9999402774	4	WASHER,

Manitowoc

STRUT ASSY, JIB



Manitowoc

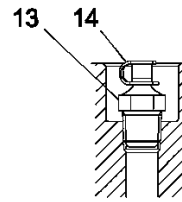
Description
STRUT ASSY, JIB

Assembly No.
9999407855
Revision:

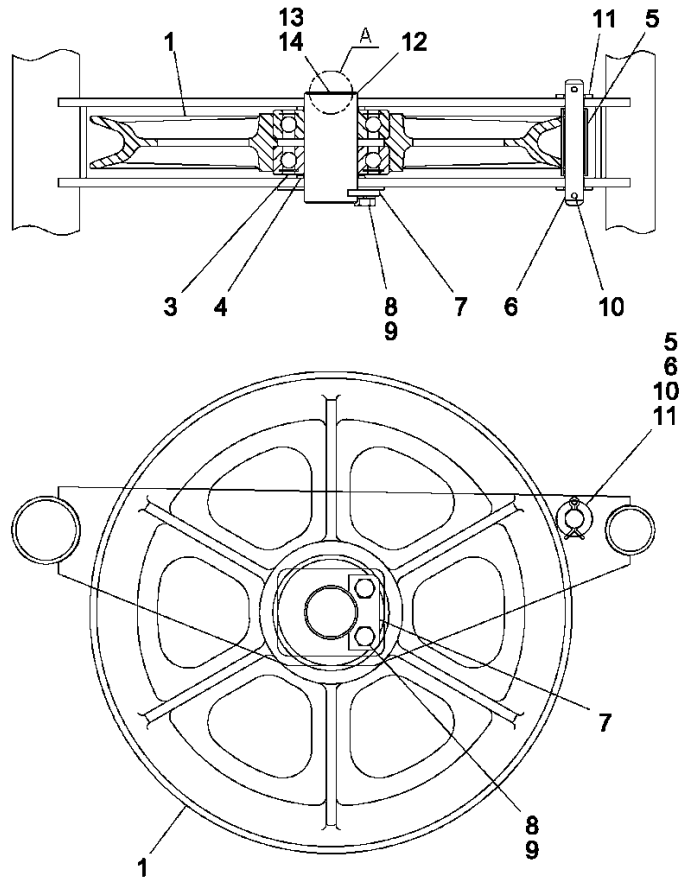
Item	FN	Part	Qty	Description
1		9999407856	1	STRUT, JIB
3		9999400535	1	SHEAVE FRAME
4		9999400536	1	SHEAVE FRAME
5		9999400500	2	SHEAVE
6		9999400116	2	PIN
7		9999400117	1	PIN
8		9999400133	2	PIN
9		9999419821	6	PIN, SPLIT
10		9999424608	2	PIN, SPLIT
11		9999430060	1	SHEAVE ASSY, STRUT
11-1		9999400509	1	SHEAVE
11-3		9999408844	2	BEARING, BALL
11-4		9999406165	2	WASHER,
11-5		9999424995	1	SPACER
11-6		9999423747	1	PIN
11-7		9999402756	1	PLATE, KEEPER
11-8		9999421374	2	CAPSCREW
11-9		9999421387	2	LOCK WASHER
11-10		9999419813	2	PIN, SPLIT
11-11		9999424860	2	WASHER,
11-12		9999430036	1	PIN
11-13		9999421342	1	NIPPLE, GREASE
11-14		9999422650	1	CAP

Manitowoc

SHEAVE ASSY, STRUT



DETAIL A



Manitowoc

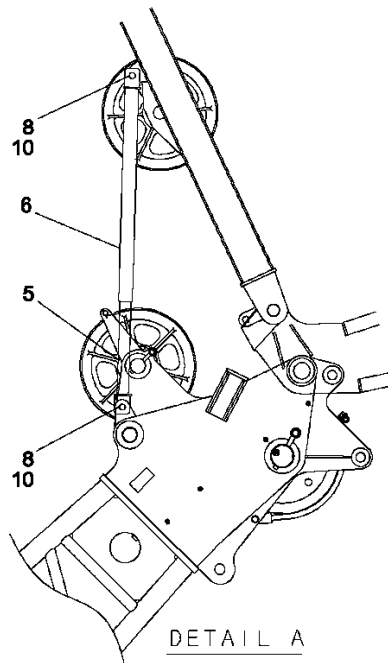
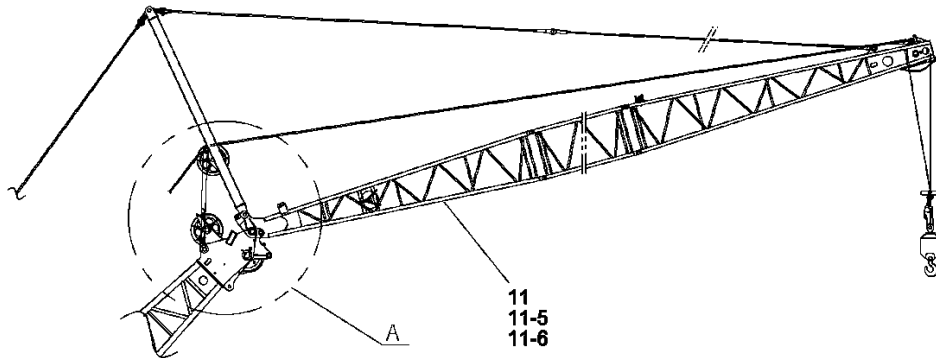
Description
SHEAVE ASSY, STRUT

Assembly No.
9999430060
Revision:

Item	FN	Part	Qty	Description
1		9999400509	1	SHEAVE
3		9999408844	2	BEARING, BALL
4		9999406165	2	WASHER,
5		9999424995	1	SPACER
6		9999423747	1	PIN
7		9999402756	1	PLATE, KEEPER
8		9999421374	2	CAPSCREW
9		9999421387	2	LOCK WASHER
10		9999419813	2	PIN, SPLIT
11		9999424860	2	WASHER,
12		9999430036	1	PIN
13		9999421342	1	NIPPLE, GREASE
14		9999422650	1	CAP

Manitowoc

JIB ASSY



Manitowoc

Description

JIB ASSY

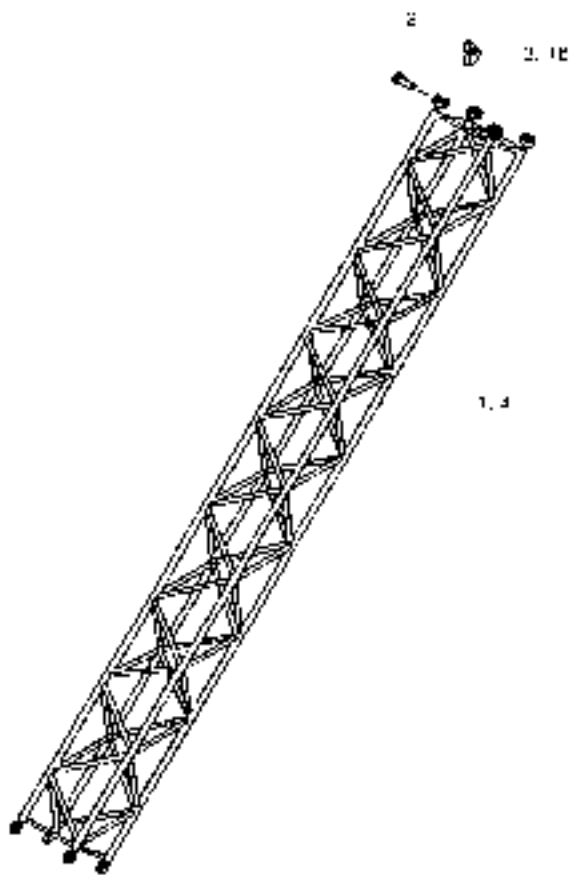
Assembly No.

9999430870

Revision:

Item	FN	Part	Qty	Description
5		9999403167	2	TUBE
6		9999422255	2	TUBE
8		9999400109	4	PIN
10		9999424605	8	PIN, SPLIT
11		9999431364	1	JIB ASSY, LOW
11-5		9999400171	4	PIN
11-6		9999427714	4	PIN, SPRING

Manitowoc



Manitowoc

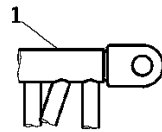
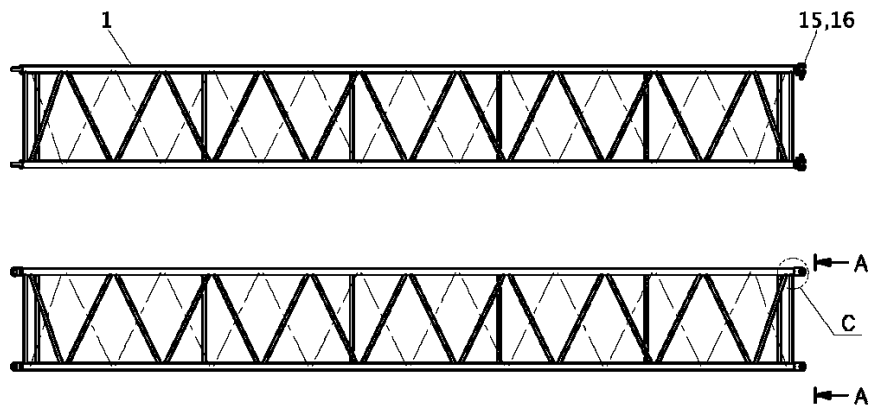
Description
INSERTJIB (10ft)

Assembly No.
9999407836
Revision:

Item	FN	Part	Qty	Description
1		9999407837	1	JIB, INSERT
2		9999400171	4	PIN
3		9999427714	4	PIN, SPRING

Manitowoc

JIB, INSERT
6.1m · 20ft



DETAIL C

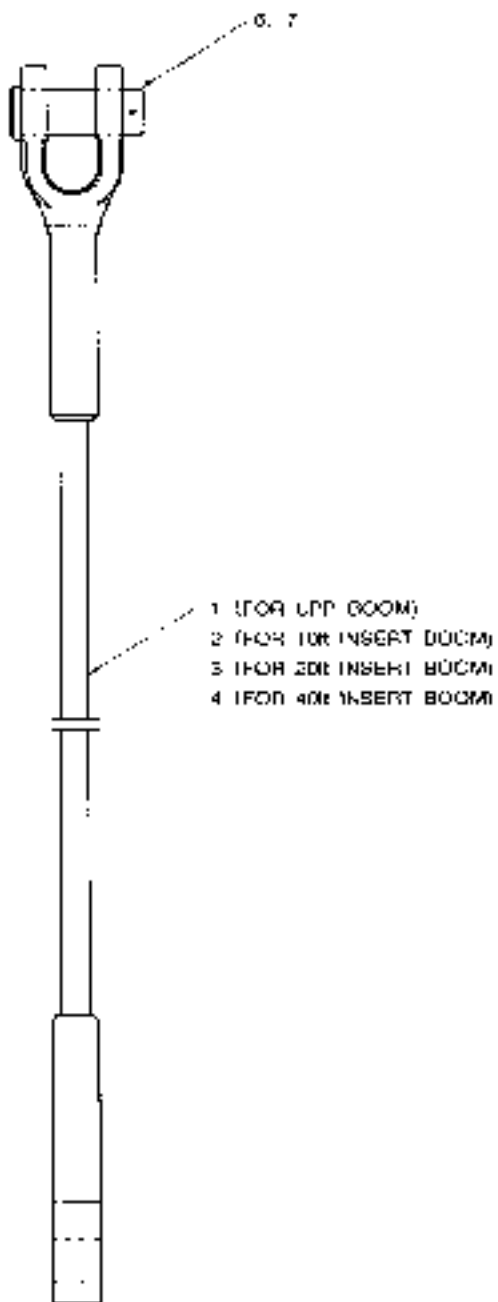
Manitowoc

Description
INSERTJIB (20ft)

Assembly No.
9999401379
Revision:

Item	FN	Part	Qty	Description
1		9999401378	1	JIB, INSERT
15		9999400171	4	PIN
16		9999421544	4	PIN, SPRING

Manitowoc



Manitowoc

Description

BOOMGUY CABLE (BASE)

Assembly No.

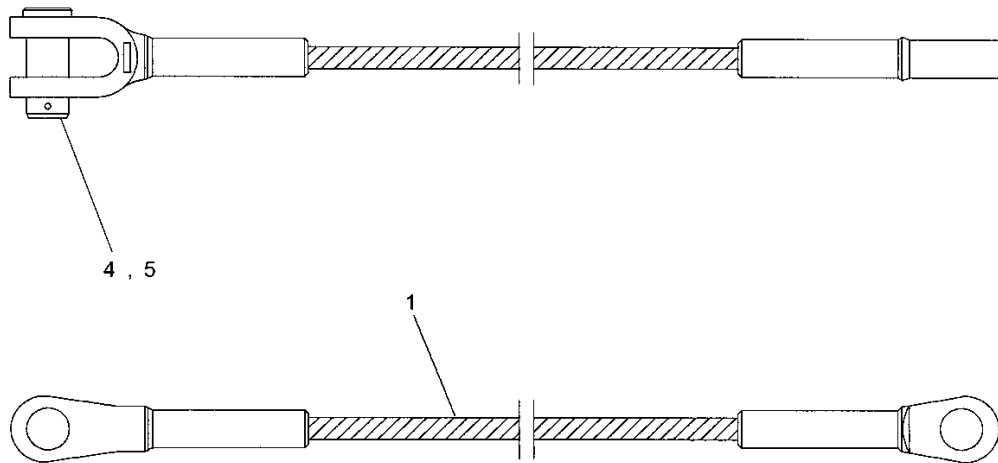
9999400742

Revision:

Item	FN	Part	Qty	Description
1		9999408326	2	GUY CABLE

Manitowoc

GUY CABLE ASSY
10ft./INSERT BOOM



Manitowoc

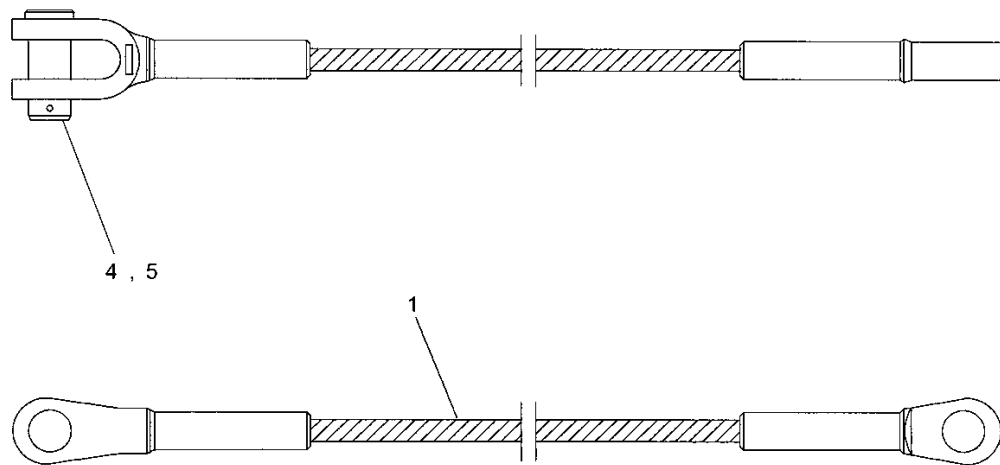
Description
BOOMGUY CABLE (10ft)

Assembly No.
9999408646
Revision:

Item	FN	Part	Qty	Description
1		9999408645	1	GUY CABLE
4		9999421545	1	PIN
5		9999424609	1	COTTER PIN

Manitowoc

GUY CABLE ASSY
20ft./INSERT BOOM



Manitowoc

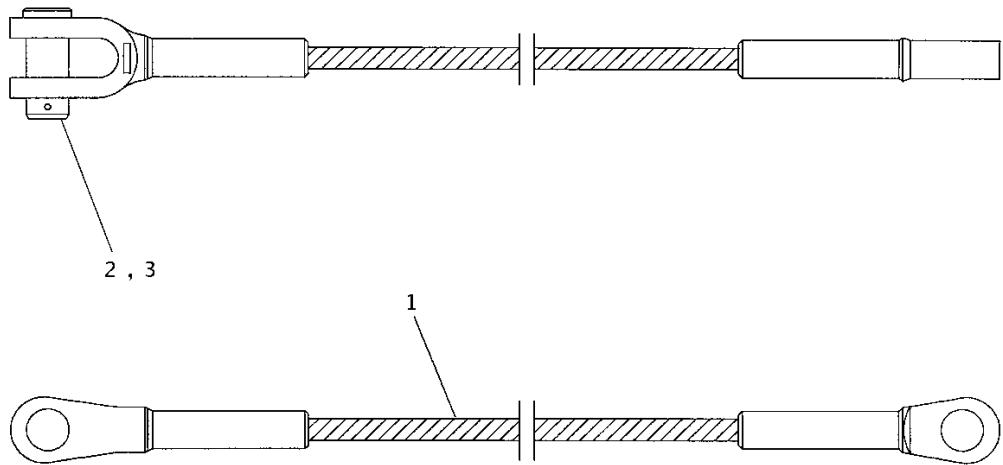
Description
BOOMGUY CABLE (20ft)

Assembly No.
9999408648
Revision:

Item	FN	Part	Qty	Description
1		9999408647	1	GUY CABLE
4		9999421545	1	PIN
5		9999424609	1	COTTER PIN

Manitowoc

GUY CABLE ASSY
40ft INSERT/30mm



Manitowoc

Description

BOOMGUY CABLE (40ft)

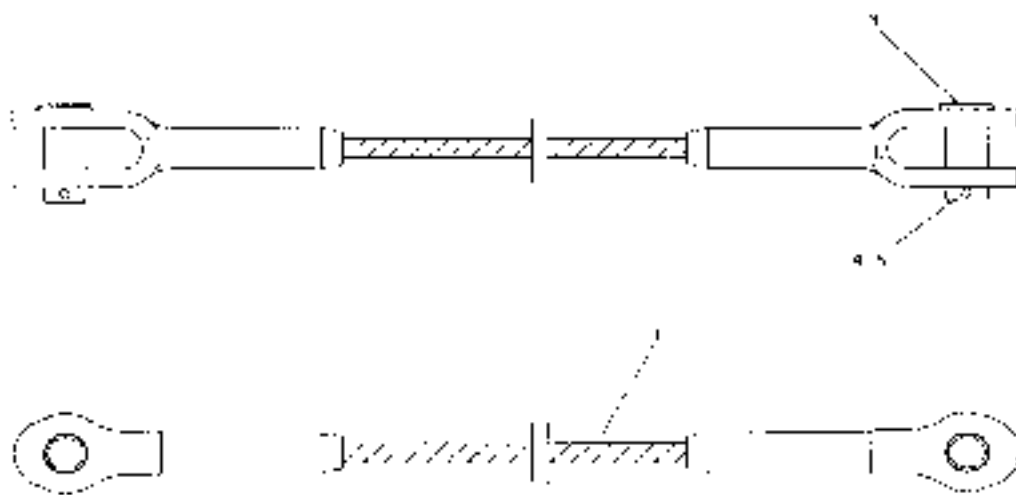
Assembly No.

9999408327

Revision:

Item	FN	Part	Qty	Description
1		9999408651	1	GUY CABLE
2		9999421545	1	PIN
3		9999424609	1	COTTER PIN

Manitowoc



Manitowoc

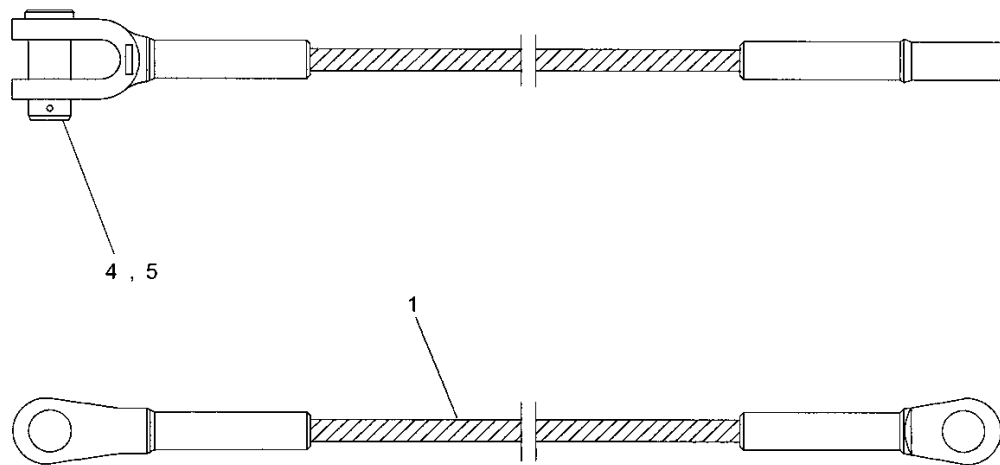
Description
CABLE - JIB GUY

Assembly No.
9999408328
Revision:

Item	FN	Part	Qty	Description
1		9999404257	1	GUY CABLE
3		9999421547	2	PIN
4		9999424610	2	PIN

Manitowoc

GUY CABLE ASSY
OR JIB STRUT ANGLE 30°



Manitowoc

Description

CABLE - JIB GUY (OFFSET ANGLE 30)

Assembly No.

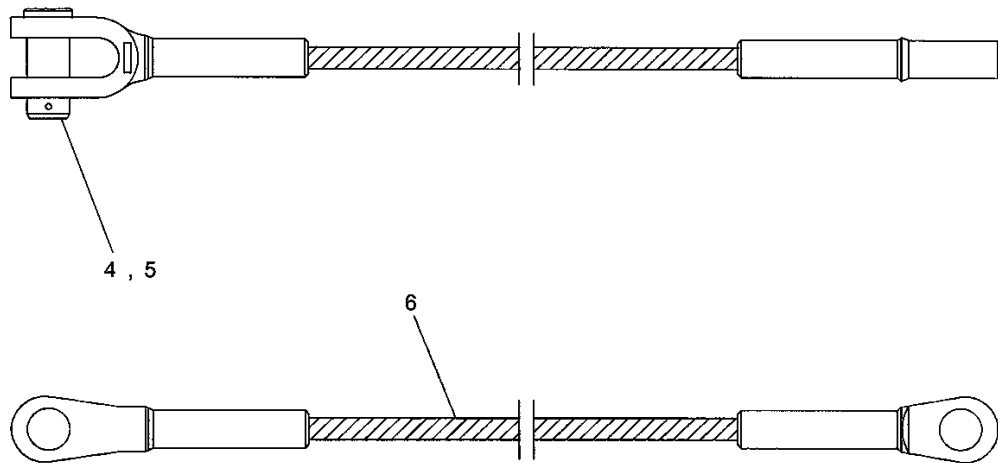
9999404249

Revision:

Item	FN	Part	Qty	Description
1		9999404248	1	GUY CABLE
4		9999421547	1	PIN
5		9999424610	1	PIN

Manitowoc

GUY CABLE ASSY
CR. JIB STD.



Manitowoc

Description

CABLE - JIB GUY (JIB SIDE BASE)

Assembly No.

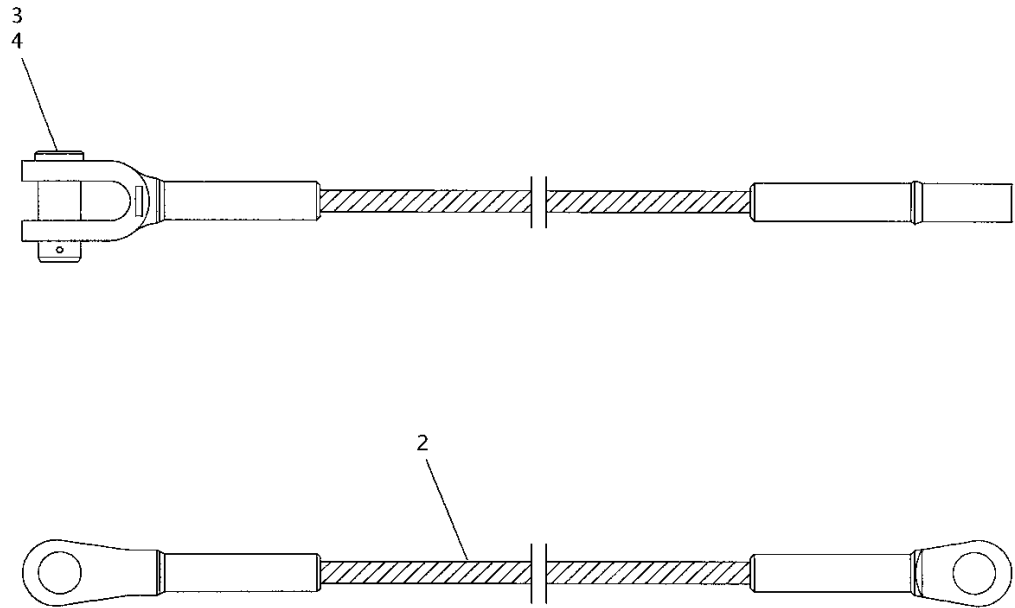
9999404256

Revision:

Item	FN	Part	Qty	Description
4		9999421547	2	PIN
5		9999424610	2	PIN
6		9999404255	1	GUY CABLE

Manitowoc

GUY CABLE ASSY
FOR 10ft INSERT JIB



Manitowoc

Description

CABLE - JIB GUY (10ft INSERT BOOM)

Assembly No.

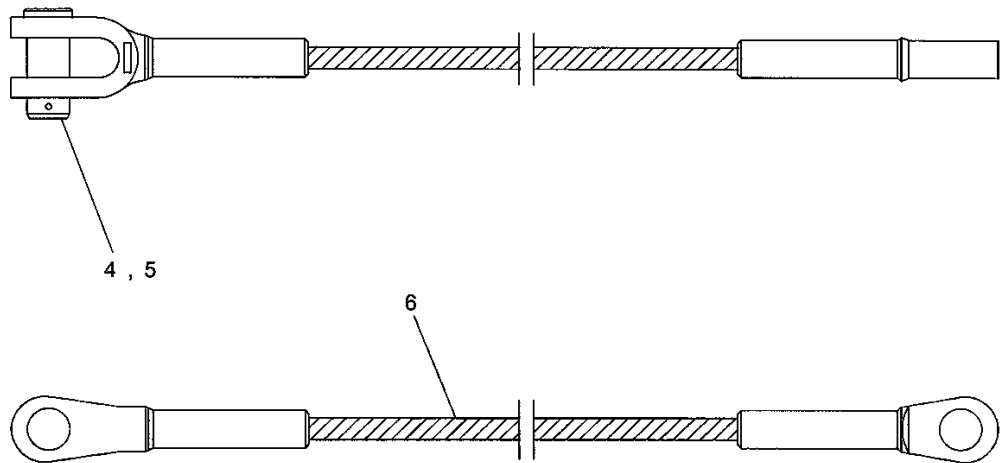
9999408329

Revision:

Item	FN	Part	Qty	Description
2		9999404252	1	GUY CABLE
3		9999421547	1	PIN
4		9999424610	1	PIN

Manitowoc

GUY CABLE ASSY
CR. JIB 20ft INSERT



Manitowoc

Description

CABLE - JIB GUY (20ft INSERT BOOM)

Assembly No.

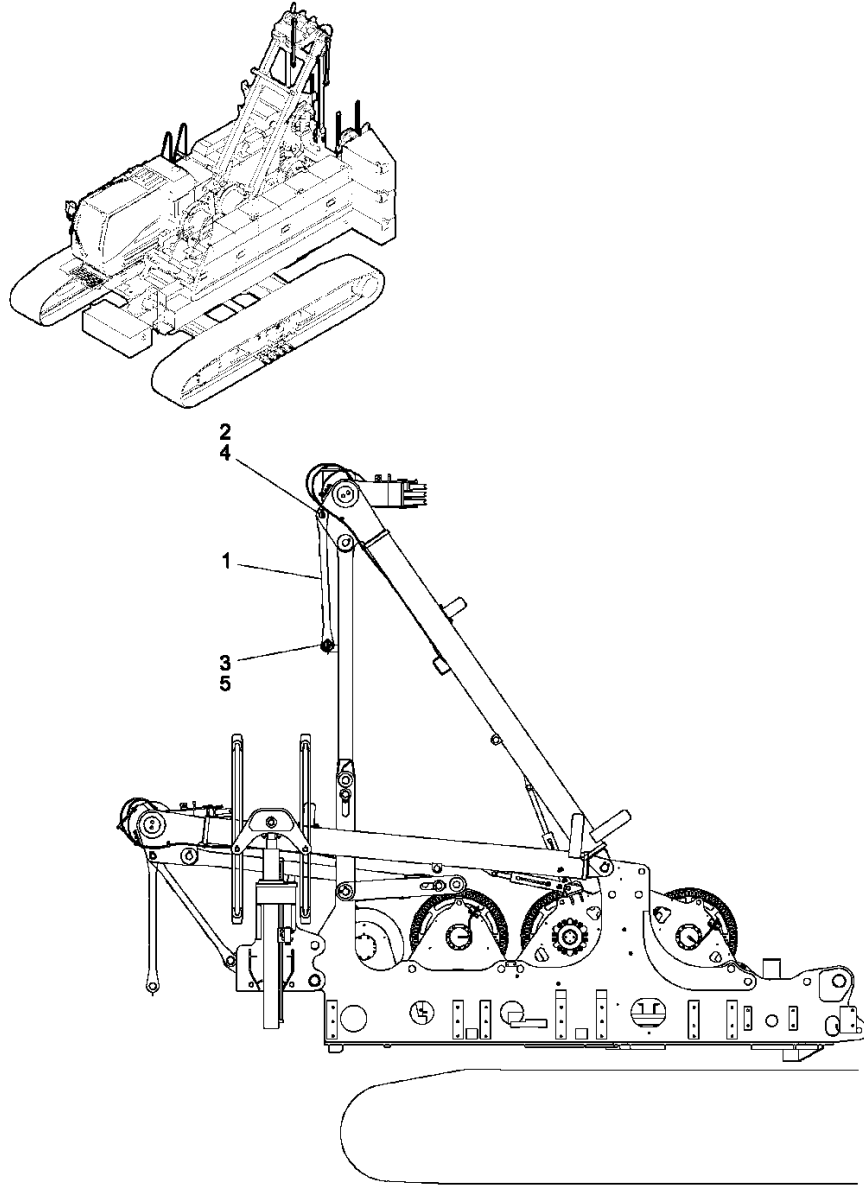
9999404251

Revision:

Item	FN	Part	Qty	Description
4		9999421547	1	PIN
5		9999424610	1	PIN
6		9999404250	1	GUY CABLE

Manitowoc

TRAVELING KIT
LOWER GANTRY FIX / STD.



Manitowoc

Description

TRAVELING KIT LOWER GANTRY FIX / STD

Assembly No.

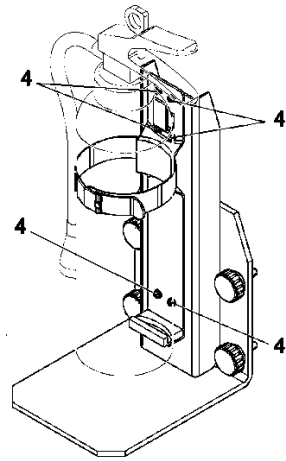
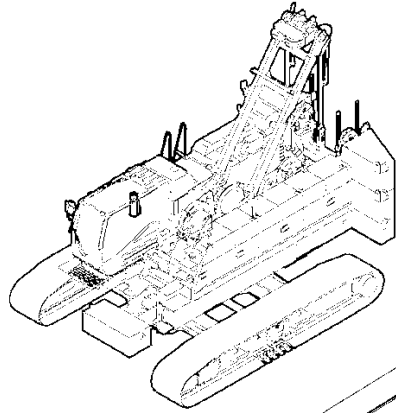
9999430823

Revision:

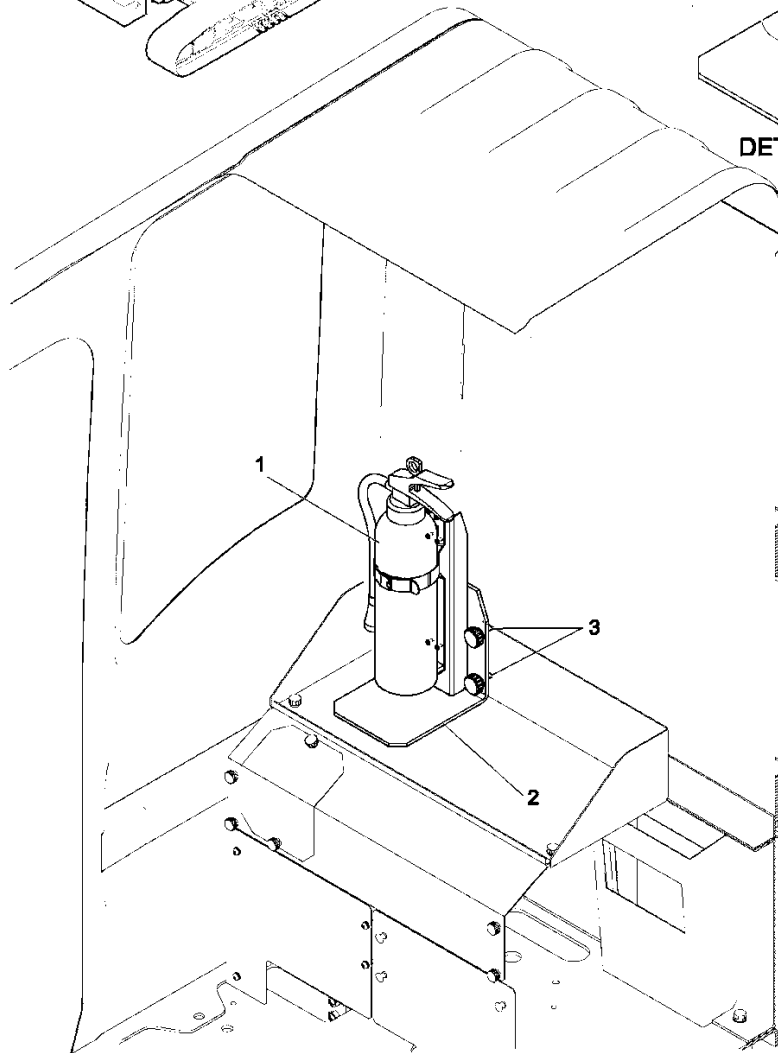
Item	FN	Part	Qty	Description
1		9999431270	2	LINK
2		9999408228	2	PIN
3		9999431271	2	PIN
4		9999419820	4	PIN, SPLIT
5		9999427717	2	PIN, SPRING

Manitowoc

EXTINGUISHER INSTAL OPT.



DETAIL ITEM 4

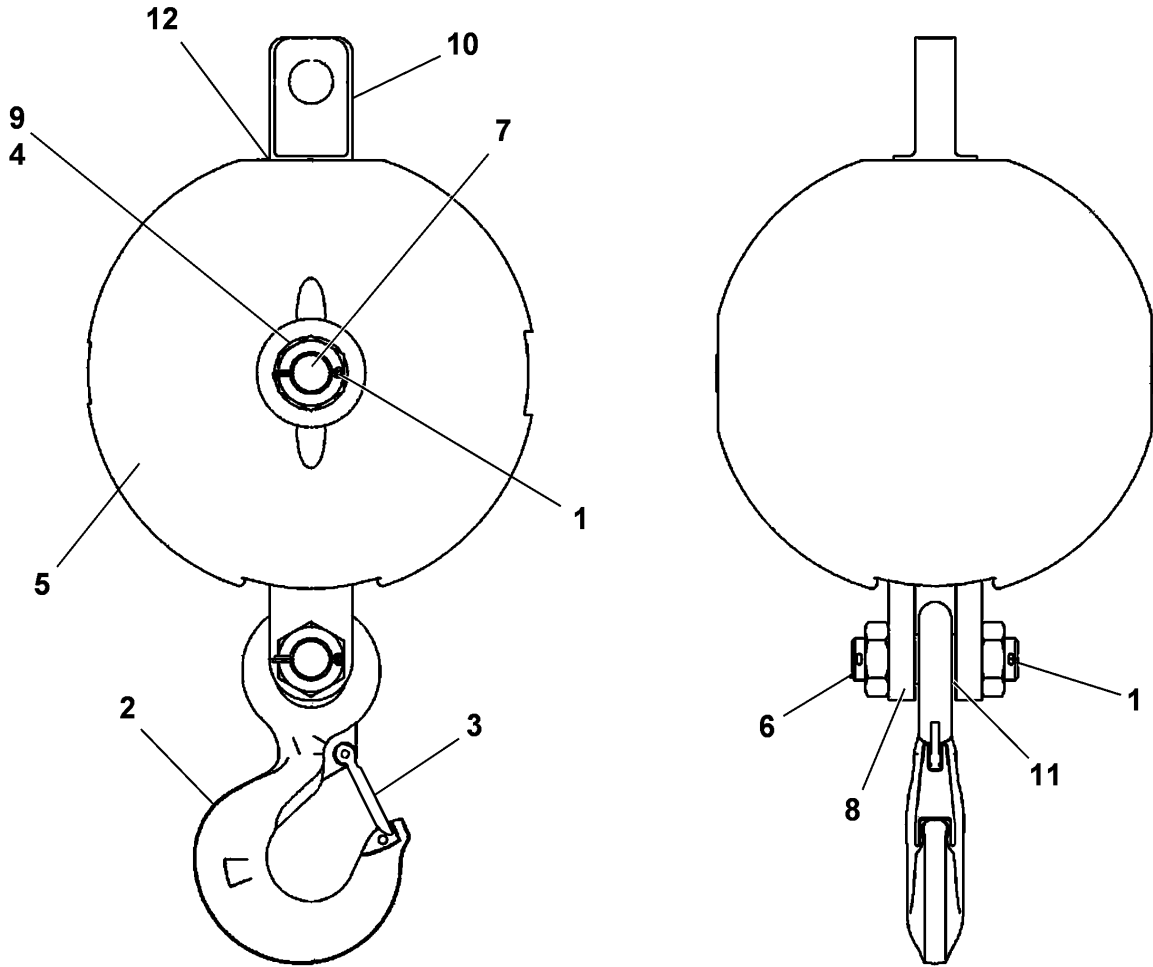


Manitowoc

Description
EXTINGUISHER INSTAL

Assembly No.
9999431054
Revision:

Item	FN	Part	Qty	Description
1		9999405487	1	EXTINGUISHER, FIRE
2		9999432023	1	BRKT
3		9999431173	4	HANDLE
4		9999424533	6	SEMS-BOLT



NOT SHOWN

13

Manitowoc

Description

BALL ASSEMBLY - 15 TON OVERHAUL (COMPLETE ASSEMBLY)

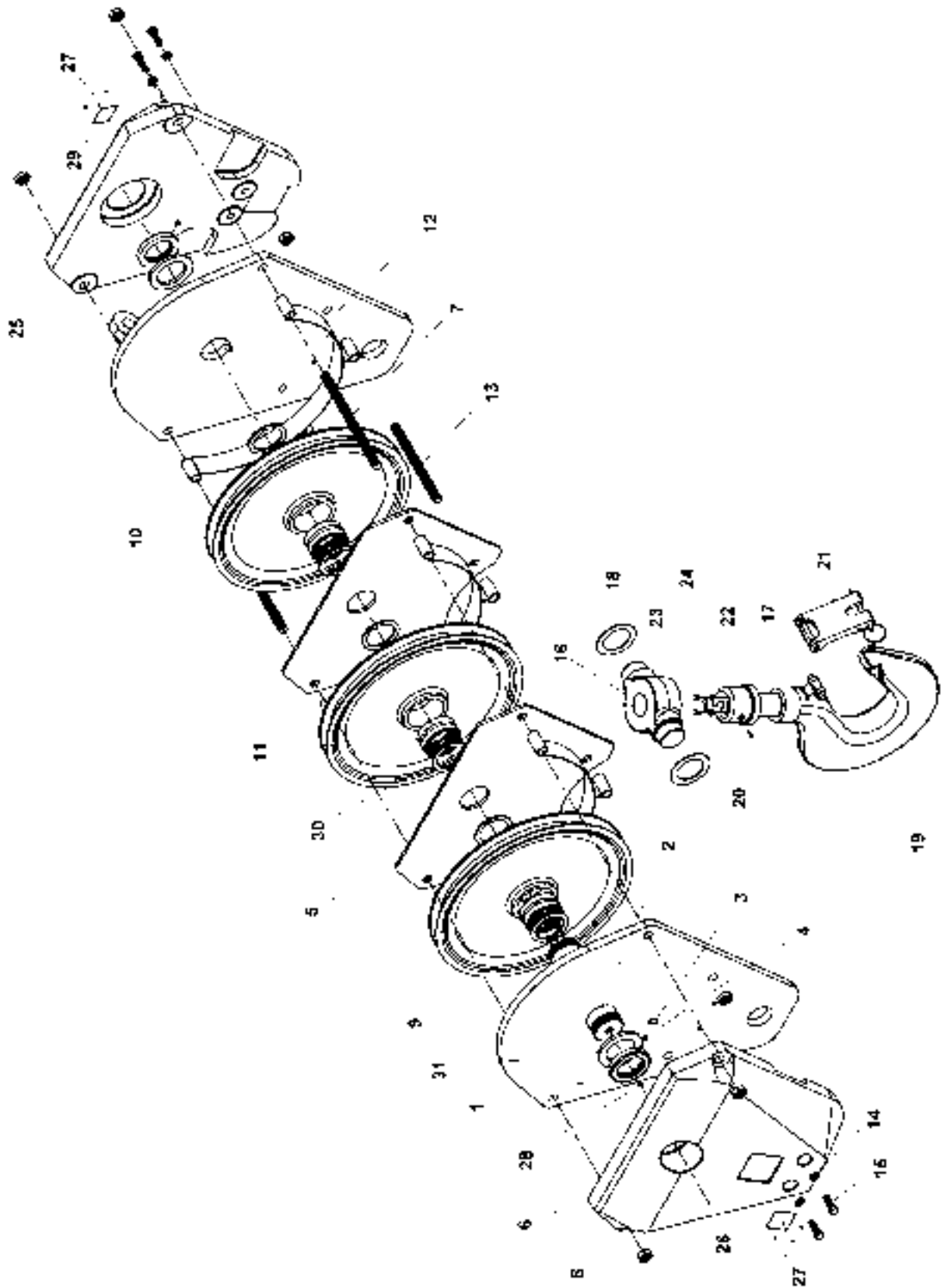
Assembly No.

2182140

Revision:

Item	FN	Part	Qty	Description
1		9539220026	4	PIN, COTTER
2		9539220001	1	HOOK & EYE
3		9539220032	1	KIT, LATCH
4		9539220021	1	WASHER, FLAT
5		NSS	1	BALL, CASTING
6		9539220002	1	BOLT
7		9539220028	2	BOLT ASSEMBLY
8		9539220029	2	PLATE, ADAPTER
9		9086220274	2	SLEEVE
10		9539220033	1	SWIVEL (AS-5)
11		9539220030	1	SPACER, PIPE
12		9822220010	1	SLEEVE, NYLON
13		9539220034	1	WEDGE-SOCKET

Manitowoc



Manitowoc

Description

**HOOK BLOCK ASSEMBLY - 50 TON 3 SHEAVE
(COMPLETE ASSEMBLY)**

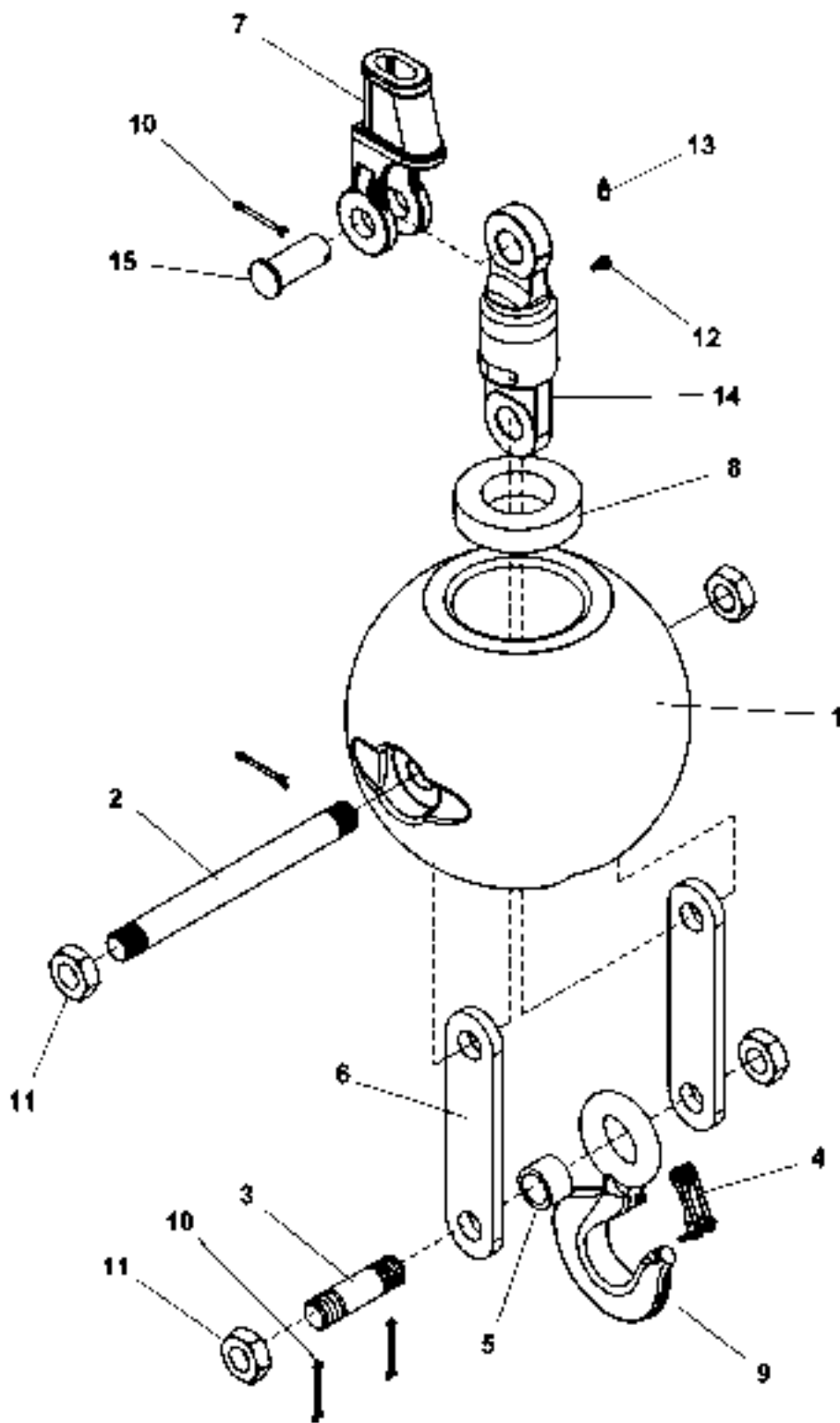
Assembly No.

A10617

Revision:

Item	FN	Part	Qty	Description
1		9086100071	2	NUT
2		9086100168	1	PIN
3		9086100269	1	PIN, ROLL
4		7785160801	2	SET SCREW 3/8" - 16 N.C. X 1/2"
5		9086100166	2	PLATE, CENTER
6		9086100461	2	WEIGHT, CHEEK
7		9086100781	2	BOLT, TIE
8		9086100061	8	NUT
9		9086100167	2	PLATE, SIDE
10		9086101295	3	WHEEL, SHEAVE
11		9086100077	3	BEARING, ROLLER
12		9086100163	3	GUIDE
13		9086100534	2	BOLT, TIE
14		9086100162	4	WASHER, LOCK
15		9086100161	4	CAP SCREW,
16		9086100539	1	HOUSING, HOOK PIVOT
17		9086100088	1	BEARING
18		9086100538	2	SPACER
19		9086101176	1	HOOK & NUT ASSY.
20		7440030000	1	FITTING, STRAIGHT GREASE 1/4" N.P.T.
21		9086100726	1	KIT, LATCH
22		9086100804	2	WASHER,
23		9086100805	2	SCREW,
24		9086100933	1	WIRE, SAFETY
25		9086100009	1	END, DEAD
26		9086101217	1	PLATE, NAME / RATING
27		9086100327	8	DRIVE SCREW
28		9086100151	3	FITTING
29		9086100137	1	PLATE, CAUTION
30		9086100076	6	WASHER, THRUST
31		9086100164	2	PIN, SPIRAL

Manitowoc



Manitowoc

Description

BALL ASSEMBLY - 12 TON OVERHAUL (COMPLETE ASSEMBLY)

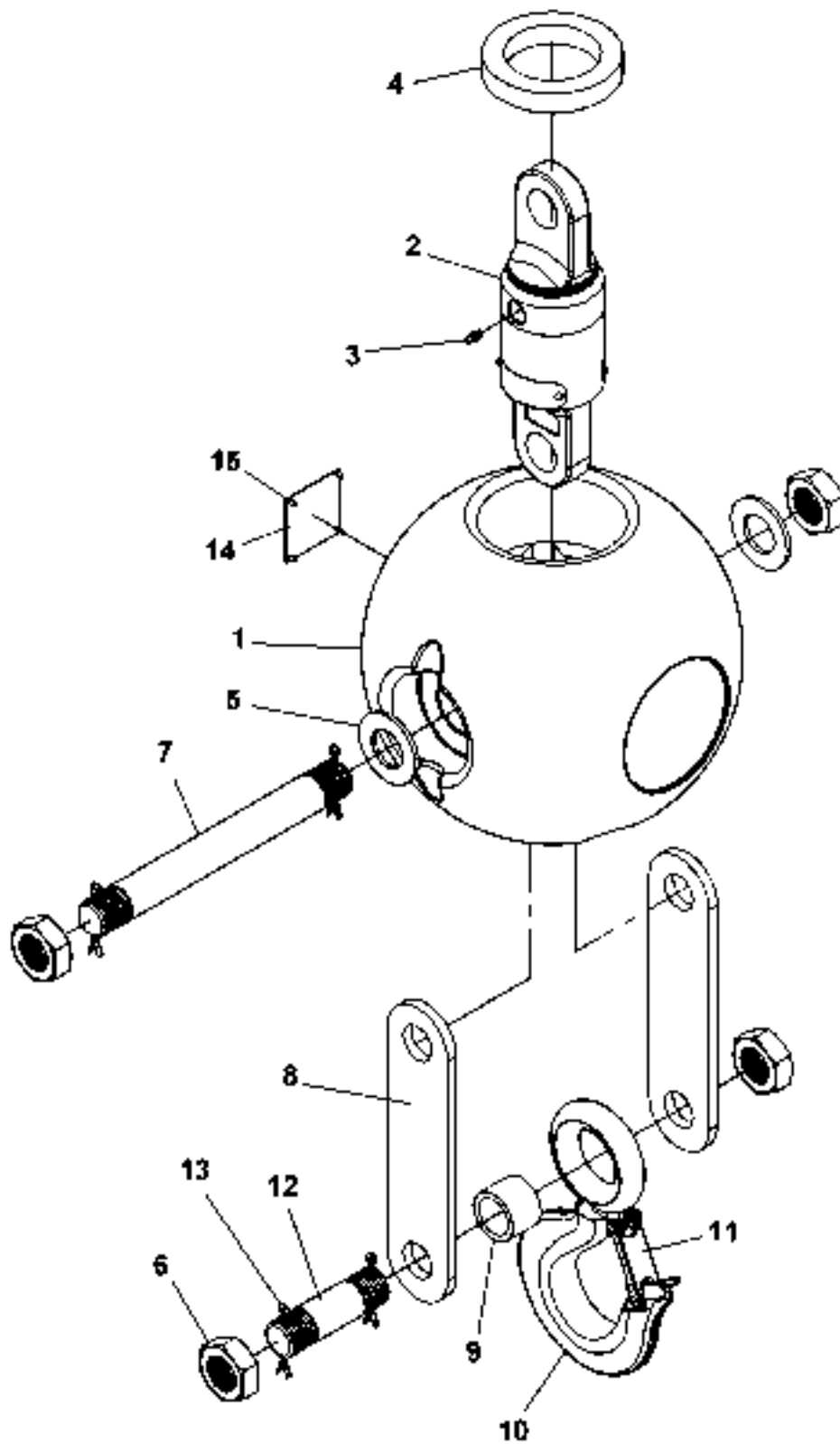
Assembly No.

A10619

Revision:

Item	FN	Part	Qty	Description
1		NSS	1	CASTING, BALL
2		9053100118	1	PIN,LATCH
3		9053100043	1	PIN
4		9086100822	1	KIT, LATCH
5		9053100047	1	SPACER
6		9053100095	2	PLATE, BAR
7		9086100292	1	SOCKET
8		9053100096	1	RING, CENTERING
9		9053100042	1	HOOK
10		9086100294	4	PIN, COTTER
11		9086100300	4	NUT
12		9053100101	1	FITTING, 90 DEGREE
13		9053100119	1	FITTING,GREASE
14		9053100122	1	LINK, SWIVEL ASSY.
15		9826220002	1	PIN

Manitowoc



Manitowoc

Description

BALL ASSEMBLY - 7 TON OVERHAUL (COMPLETE ASSEMBLY)

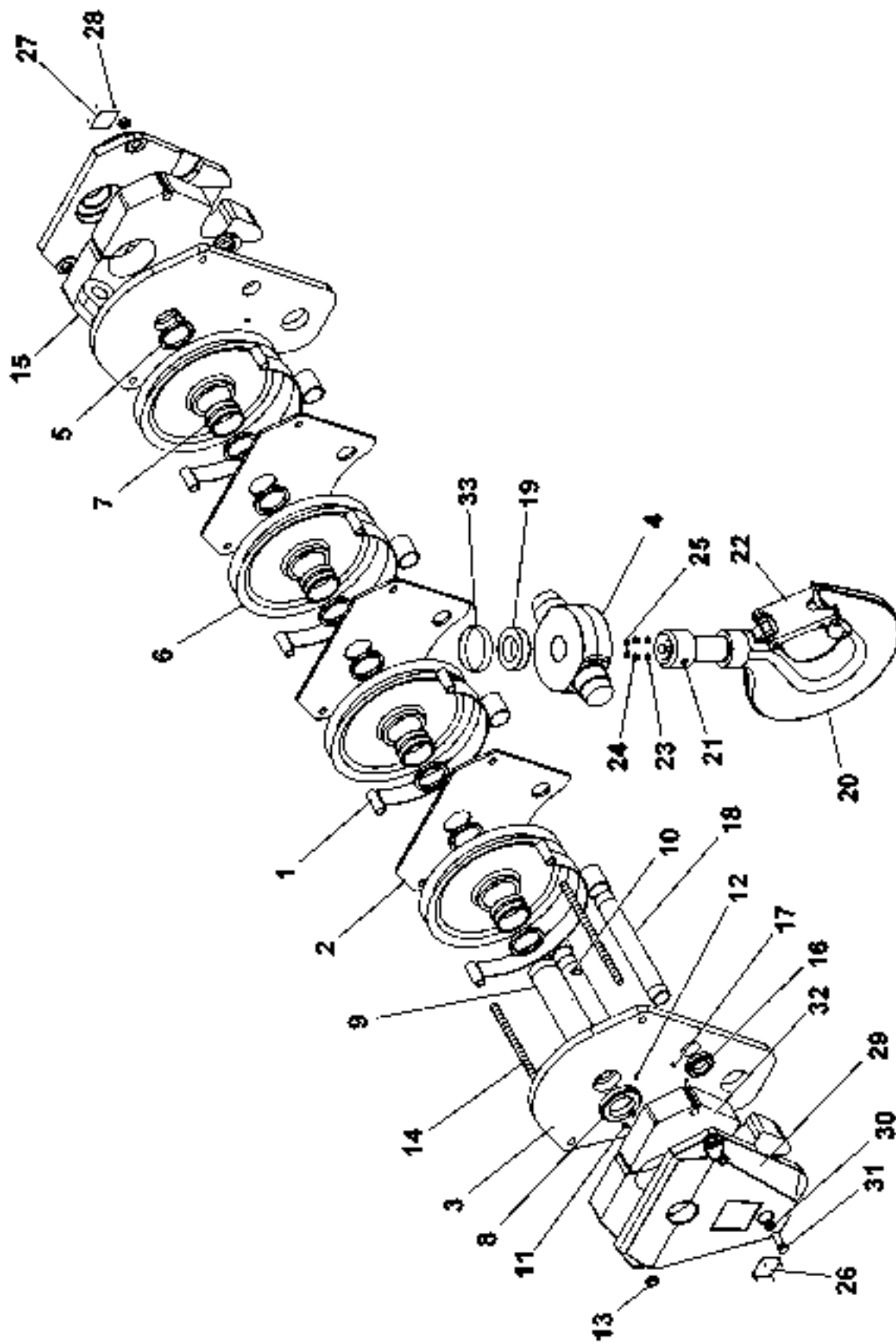
Assembly No.

A10621

Revision:

Item	FN	Part	Qty	Description
1		NSS	1	BALL, CASTING
2		9053100120	1	LINK,CENTER SWIVEL ASSY.
3		7440030000	1	FITTING, STRAIGHT GREASE 1/4" N.P.T.
4		9053100025	1	RING, CENTERING
5		9053100038	2	WASHER,
6		9086100144	4	NUT
7		9053100124	1	PIN, CENTER
8		9053100105	2	PLATE, BAR
9		9053100106	1	SPACER
10		9053100109	1	HOOK
11		9053100110	1	KIT, LATCH
				INCLUDES THE FOLLOWING PARTS
		90015669	2	RING, E-CLIP
		90011777	1	SPRING, LATCH
		90015670	1	PIN, GROOVE
		9585100044	1	PIN, QUICK RELEASE
12		9053100107	1	PIN
13		9053100003	4	PIN, COTTER
14		2018480	1	NAMEPLATE, RATING & I.D.
15		9086100327	4	DRIVE SCREW

Manitowoc



Manitowoc

Description

**HOOK BLOCK ASSEMBLY - 75 TON 4 SHEAVE
(COMPLETE ASSEMBLY)**

Assembly No.

A10622

Revision:

Item	FN	Part	Qty	Description
1		9086100059	4	GUIDE, REEVING
2		9086100549	3	PLATE, CENTER
3		9086100550	2	PLATE, SIDE
4		9086100553	1	HOUSING, HOOK PIVOT
5		9086100063	8	WASHER, THRUST
6		9086101385	4	SHEAVE WHEEL
7		9086100062	4	BEARING, ROLLER
8		9086100074	2	NUT
9		9086100504	1	PIN, CENTER 3"
10		9086100269	1	PIN, ROLL
11		9086100151	4	FITTING
12		7785160801	2	SET SCREW 3/8" - 16 N.C. X 1/2"
13		9086100061	4	NUT
14		9086101386	2	BOLT, TIE
15		9086100009	1	END, DEAD
16		9086100068	4	NUT 2.5"
17		7785160801	4	SET SCREW 3/8" - 16 N.C. X 1/2"
18		9086100551	2	PIN, STRESS 2.5"
19		9086100258	1	BEARING, THRUST
20		9086100992	1	HOOK AND NUT ASSEMBLY
21		9086100151	1	FITTING
22		9086100713	1	LATCH, KIT INCLUDES THE FOLLOWING PARTS
		9086100557	2	RING, RETAINER E-CLIP
		9086100555	1	SPRING
		9086100556	1	PIN, GROOVED
		9086100558	1	PIN, QUICK RELEASE
23		9086100993	2	WASHER,
24		9086100994	2	SCREW,
25		9086100933	2	WIRE, SAFETY
26		9086101217	1	PLATE, NAME / RATING
27		9086100137	1	PLATE, CAUTION

Manitowoc

Description

**HOOK BLOCK ASSEMBLY - 75 TON 4 SHEAVE
(COMPLETE ASSEMBLY)**

Assembly No.

A10622

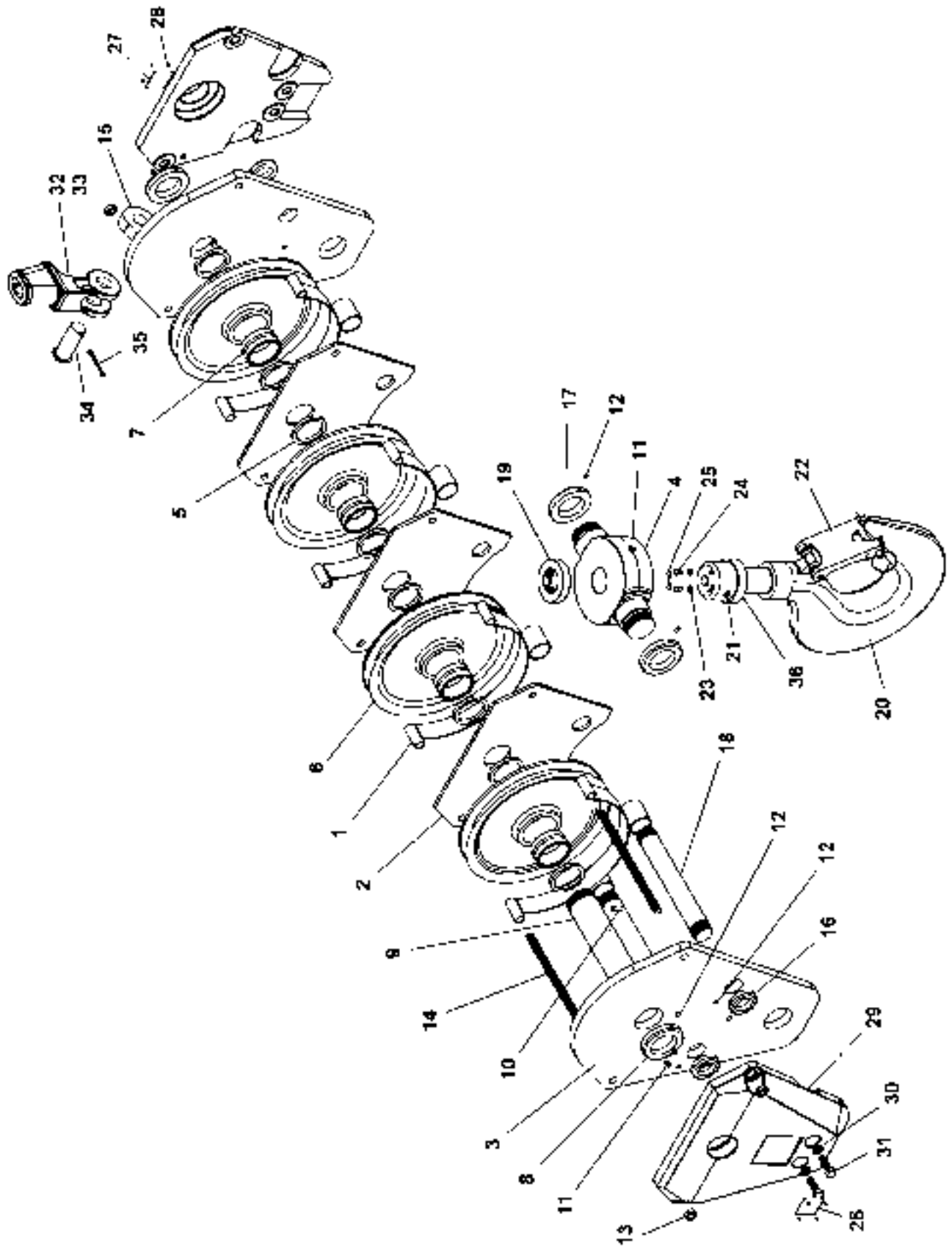
Revision:

Item	FN	Part	Qty	Description
28		9086100327	8	DRIVE SCREW
29		9086100461	2	WEIGHT, CHEEK
30		9086100162	2	WASHER, LOCK
31		9086101387	2	CAPSCREW
32		9086101388	2	PLATE, SIDE WEIGHT
33		9086100457	1	COVER, BEARING

Manitowoc

Notes

Manitowoc



Manitowoc

Description

**HOOK BLOCK ASSEMBLY - 100 TON 4 SHEAVE
(COMPLETE ASSEMBLY)**

Assembly No.

A10632

Revision:

Item	FN	Part	Qty	Description
1		9086100059	4	GUIDE, REEVING
2		9086101405	3	PLATE
3		9086100422	2	PLATE, SIDE
4		9086101401	1	HOUSING, TRUNNION
5		9086100076	8	WASHER, THRUST
6		9086101295	4	WHEEL, SHEAVE
7		9086100077	4	BEARING, ROLLER
8		9086100071	2	NUT
9		9086101402	1	PIN, CENTER
10		9086100269	1	PIN, ROLL
11		9086100151	5	FITTING
12		7785160801	8	SET SCREW 3/8" - 16 N.C. X 1/2"
13		9086100061	4	NUT
14		9086101403	2	BOLT, TIE
15		9086100009	1	END, DEAD
16		9086100068	4	NUT 2.5"
17		9086100074	2	NUT
18		9086101404	2	PIN
19		9086100070	1	BEARING, THRUST
20		9086101215	1	HOOK & NUT ASSY.
21		7440030000	1	FITTING, STRAIGHT GREASE 1/4" N.P.T.
22		9086100713	1	LATCH, KIT INCLUDES THE FOLLOWING PARTS
		9086100557	2	RING, RETAINER E-CLIP
		9086100555	1	SPRING
		9086100556	1	PIN, GROOVED
		9086100558	1	PIN, QUICK RELEASE
23		9086100993	2	WASHER,
24		9086100994	2	SCREW,
25		9086100933	2	WIRE, SAFETY
26		9086101217	1	PLATE, NAME / RATING
27		9086100137	1	PLATE, CAUTION
28		9086100327	8	DRIVE SCREW

Manitowoc

Description

**HOOK BLOCK ASSEMBLY - 100 TON 4 SHEAVE
(COMPLETE ASSEMBLY)**

Assembly No.

A10632

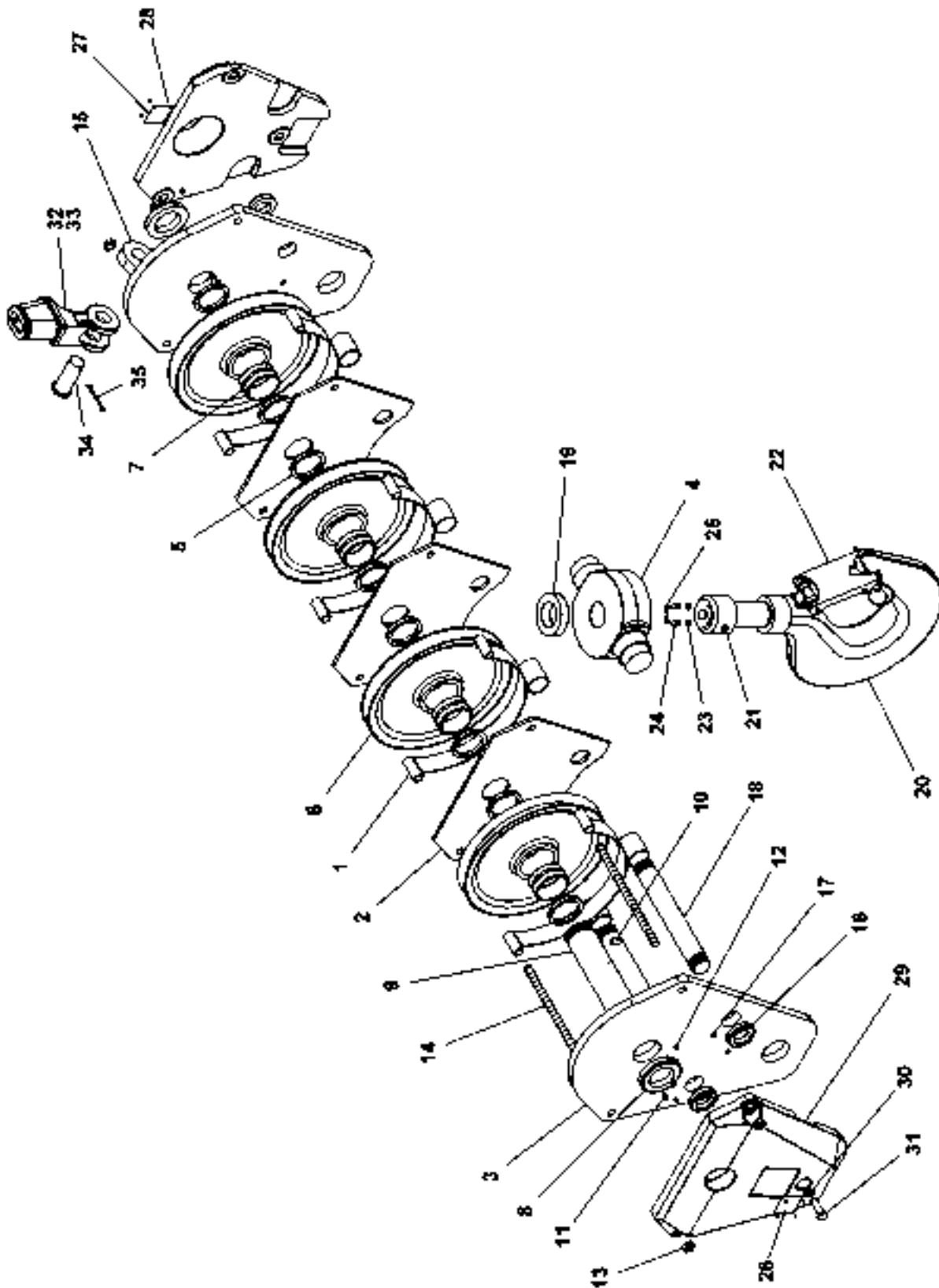
Revision:

Item	FN	Part	Qty	Description
29		9086100461	2	WEIGHT, CHEEK
30		9086100162	4	WASHER, LOCK
31		9086100426	4	CAP SCREW
32		9086100292	1	SOCKET
33		9086100293	1	WEDGE
34		9826220002	1	PIN
35		9086100294	1	PIN, COTTER
36		9086100405	1	COVER

Manitowoc

Notes

Manitowoc



Manitowoc

Description

**HOOK BLOCK ASSEMBLY - 60 TON 4 SHEAVE
(COMPLETE ASSEMBLY)**

Assembly No.

A10641

Revision:

Item	FN	Part	Qty	Description
1		9086101379	4	GUIDE ASSY.
2		9086101380	3	PLATE, CENTER
3		9086101381	2	PLATE, SIDE
4		9086100507	1	HOUSING
5		9086100063	8	WASHER, THRUST
6		9086101382	4	SHEAVE WHEEL
7		9086100062	4	BEARING, ROLLER
8		9086100074	2	NUT
9		9086100504	1	PIN, CENTER 3"
10		9086100269	1	PIN, ROLL
11		9086100151	4	FITTING
12		7785160801	2	SET SCREW 3/8" - 16 N.C. X 1/2"
13		9086100061	4	NUT
14		9086100976	2	CAP SCREW,
15		9086100009	1	END, DEAD
16		9086100250	4	NUT
17		9086100249	4	SET SCREW
18		9086100506	2	PIN, STRESS
19		9086100088	1	BEARING
20		9086101176	1	HOOK & NUT ASSY.
21		7440030000	1	FITTING, STRAIGHT GREASE 1/4" N.P.T.
22		9086100726	1	KIT, LATCH
23		9086100804	2	WASHER,
24		9086100805	2	SCREW,
25		9086100933	2	WIRE, SAFETY
26		9086101383	1	PLATE, NAME / RATING
27		9086101384	1	PLATE, CAUTION
28		9086100327	8	DRIVE SCREW
29		9086100461	2	WEIGHT, CHEEK
30		9086100162	4	WASHER, LOCK
31		9086100161	4	CAP SCREW,
32		A14715	1	WEDGE (FOR .88 WIRE ROPE)

Manitowoc

Description

**HOOK BLOCK ASSEMBLY - 60 TON 4 SHEAVE
(COMPLETE ASSEMBLY)**

Assembly No.

A10641

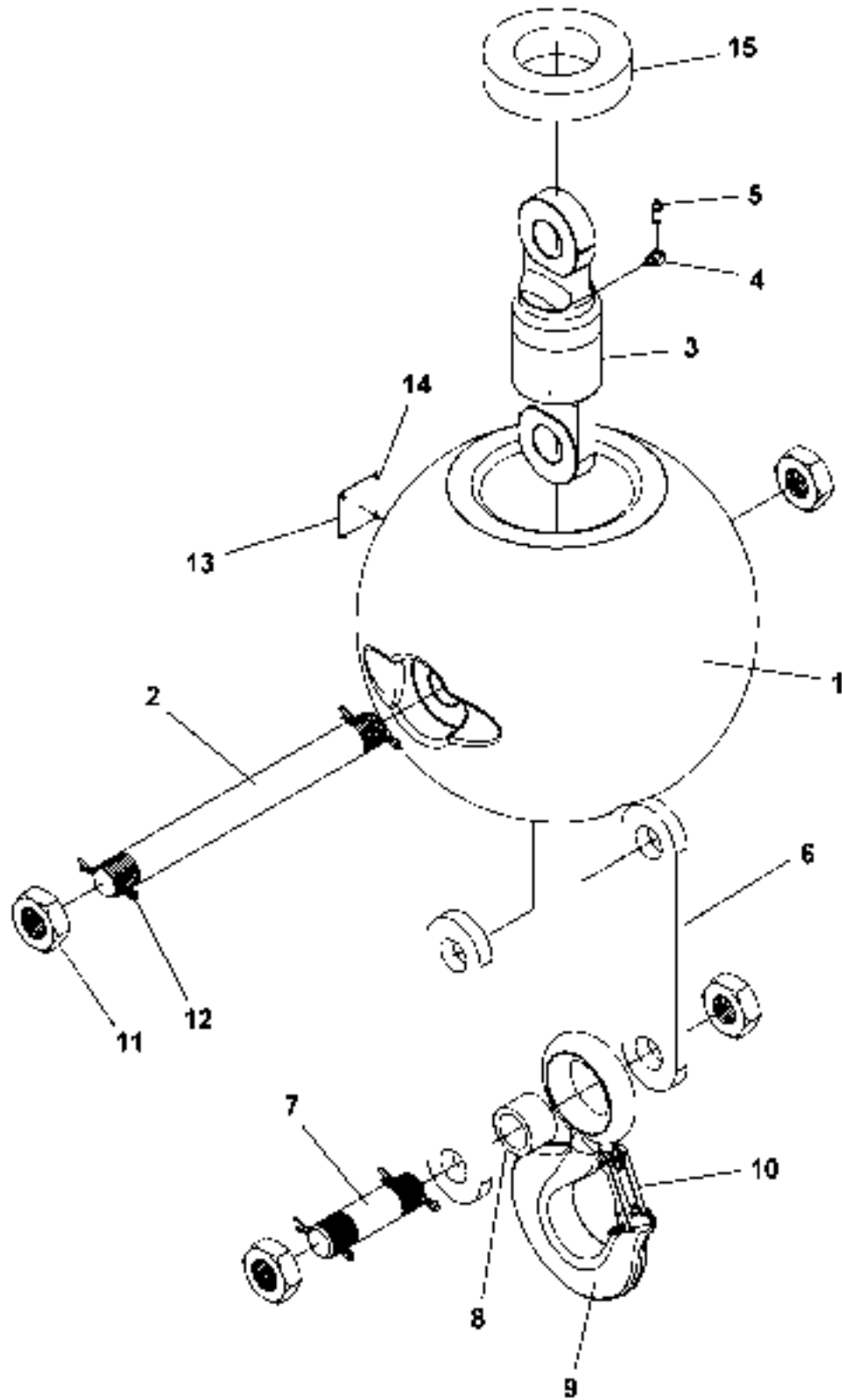
Revision:

Item	FN	Part	Qty	Description
33		9826220002	1	PIN
34		9086100294	1	PIN, COTTER
35		9086100294	1	PIN, COTTER

Manitowoc

Notes

Manitowoc



Manitowoc

Description

BALL ASSEMBLY - 12 TON OVERHAUL (COMPLETE ASSEMBLY)

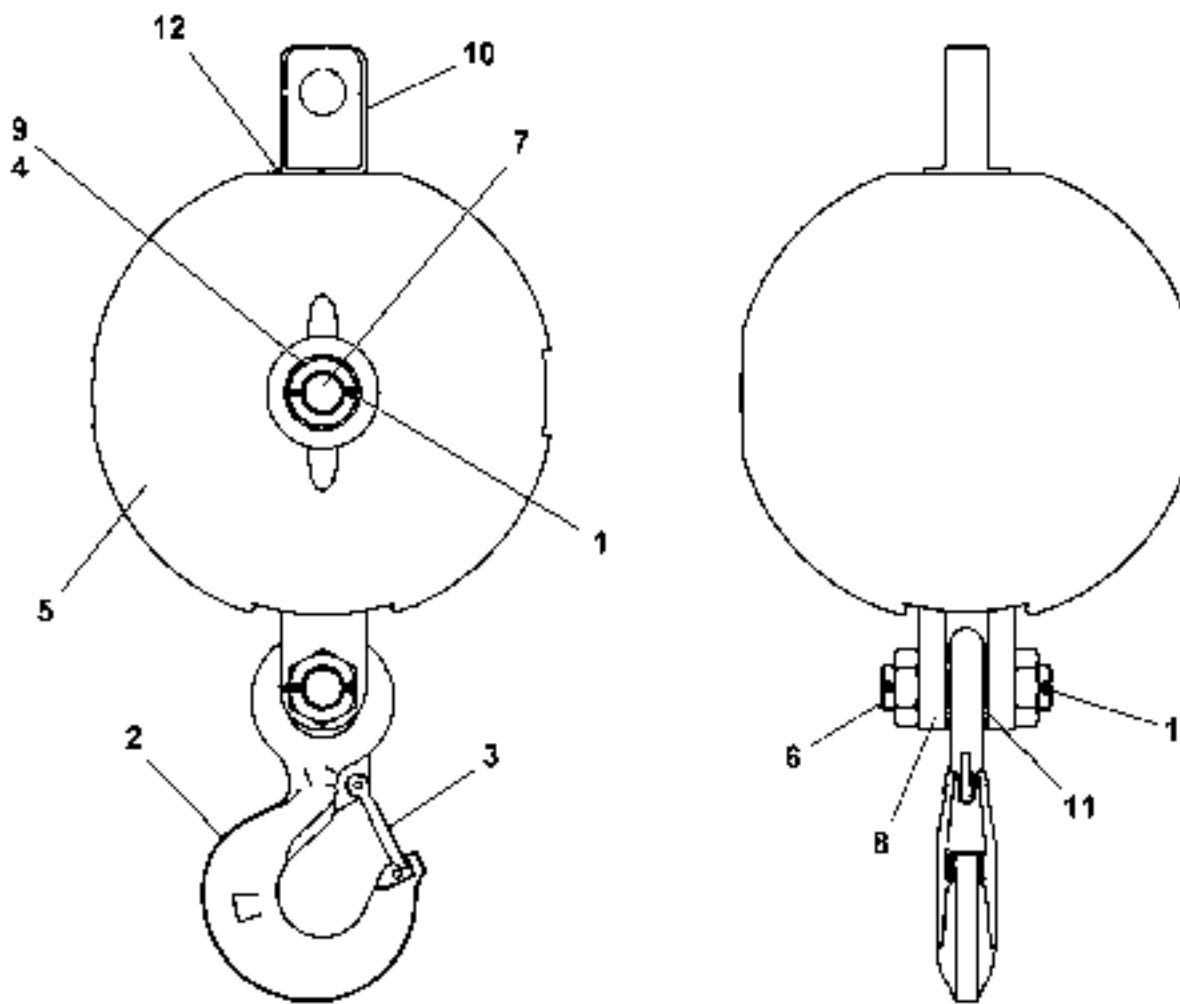
Assembly No.

A18115

Revision:

Item	FN	Part	Qty	Description
1		NSS	1	CASTING, BALL
2		9053100118	1	PIN,LATCH
3		9086220493	1	SWIVEL
4		9053100101	1	FITTING, 90 DEGREE
5		9053100119	1	FITTING,GREASE
6		9053100095	2	PLATE, BAR
7		9053100043	1	PIN
8		9053100047	1	SPACER
9		9053100042	1	HOOK
10		9086100822	1	KIT, LATCH
11		9086100300	4	NUT
12		9086100294	4	PIN, COTTER
13		9053100051	1	PLATE,NAME I.D.
14		9086100327	4	DRIVE SCREW
15		9053100096	1	RING, CENTERING

Manitowoc



NOT SHOWN
13

Manitowoc

Description

BALL ASSEMBLY - 15 TON OVERHAUL (COMPLETE ASSEMBLY)

Assembly No.

A18117

Revision:

Item	FN	Part	Qty	Description
1		9539220026	4	PIN, COTTER
2		9539220027	1	HOOK & EYE
3	#	7576001728	1	KIT, SAFETY LATCH
4		9539220021	2	WASHER, FLAT
5		NSS	1	CASTING, BALL
6		9539220002	1	BOLT
7		9539220028	1	BOLT ASSEMBLY
8		9539220029	2	PLATE, ADAPTER
9		9086220274	2	SLEEVE
10		9539220033	1	SWIVEL (AS-5)
11		9539220030	1	SPACER, PIPE
12		9822220010	1	SLEEVE, NYLON
13		9539220031	1	WEDGE-SOCKET ITEM NOT SHOWN

SERVICED AS AN ASSEMBLY ONLY

Manitowoc

Notes

Manitowoc

Alphabetical Index	Appendix A	
Description	Part	Page
ACCESSORIES, CAB	9999431208	137
ACCUMULATOR ASSY	9999431859	101
ACCUMULATOR INSTAL	9999430834	97
	9999430835	109
	9999430836	257
ADJUSTER	9999432128	295
ALARM, OVER LOAD	9999430799	607
AMPLIFIER	9999427359	659
	9999427397	659
	9999430021	661
ANGLE METER INSTAL	9999408197	795
ANTENNA	9999432097	665
	9999432098	665
ANTI-SLIP	9999403508	311
ARM REST	9999432165	297
	9999432166	297
AXLE	9999431247	737
	9999431248	737
BAND	9999406881	285
	9999406882	285
	9999430023	661
	9999432176	285
BAND ASSY	9999431459	703
BAR	9999431580	233, 237
BASE	9999430028	661
BATTERY	9999424269	551
BEAM	9999431476	177
BEARING	9086100088	859, 873
	9999403652	805
	9999405954	345
	9999408839	281
	9999408842	759
	9999408847	761, 791
	9999421539	821
	9999422347	797
	9999422348	791
	9999422354	823
	9999422611	493, 627
	9999427933	685
BEARING, BALL	9999408835	801, 817
	9999408836	803

From - ACCESSORIES, CAB

To - BEARING, BALL

Manitowoc

Alphabetical Index	Appendix A	
Description	Part	Page
BEARING, BALL	9999408844	825, 827
BEARING, ROLLER	9086100062	865, 873
	9086100077	859, 869
	9999405955	345
	9999421552	345
	9999422608	345, 685
	9999422615	685
BEARING, SPHERICAL	9999403649	345
BEARING, THRUST	9086100070	869
	9086100258	865
BLOCK	9999407302	719
	9999422603	359
	9999422829	107
	9999425708	327
	9999429510	91
	9999432113	749
BLOCK ASSY	9999430863	97
BODY	9999405346	119
	9999422900	473
	9999423583	377
	9999425232	409, 749
	9999430660	25
	9999430667	25
	9999430670	25
	9999431948	419
BOLT	9539220002	857, 879
	9999403171	217
	9999403319	767, 771, 775, 779, 785
	9999408186	493, 627
	9999419657	707
	9999419665	803
	9999420127	605
	9999421371	67
	9999421377	415
	9999422292	549
	9999422602	359
	9999422863	291
	9999423715	781
	9999424504	458, 505, 589
	9999424693	47, 68, 89, 98, 263, 327, 360, 363, 395, 415, 453, 517, 669
	9999424733	345
	9999425411	171
	9999430153	173, 315, 321

From - BEARING, BALL

To - BOLT

Manitowoc

Alphabetical Index	Appendix A	
Description	Part	Page
BOLT	9999431360	689
BOLT ASSEMBLY	9539220028	857, 879
BOLT, EYE	9999403376	494, 627
BOLT, TIE	9086100534	859
	9086100781	859
	9086101386	865
	9086101403	869
BOLT, WING	9999431094	146, 699
BOOM, INSERT	9999407764	809
	9999407765	811
	9999407766	813
	9999407767	815
BOOM, LOW	9999431272	787
BOOM, UPP	9999431329	799
BOX	9999431192	167
	9999431436	285
BOX, SWITCH	9999431801	531, 532, 565
	9999431803	531, 557, 559
BRACKET	9999402036	797
	9999402047	805
	9999402177	805
	9999407366	659
	9999408162	375
	9999408165	359
	9999408193	493
	9999408194	493, 623
	9999408199	797
	9999408200	797
	9999422414	693
	9999422640	633
	9999422861	285
	9999422868	285
	9999422952	479, 483, 487
	9999423600	359
	9999423673	479, 487
	9999423699	823
	9999423795	3
	9999423796	229
	9999424252	639
	9999425338	645, 649, 653
	9999425410	171
	9999425591	475
	9999425662	281
	9999426440	295

From - BOLT

To - BRACKET

Manitowoc

Alphabetical Index	Appendix A	
Description	Part	Page
BRACKET	9999427738	643
	9999427950	87
BREATHER	9999422551	439, 443
BRG	9999429511	439, 443
	9999431155	685
BRG ASSY, SWING	9999431763	13
BRG, BALL	9999431162	685
	9999432137	685
BRG, ROLLER	9999431726	685
BRKT	9999431250	737
	9999431253	413
	9999431261	669
	9999431262	669
	9999431263	669
	9999431267	670
	9999431274	517
	9999431275	523
	9999431277	523
	9999431278	387
	9999431279	523
	9999431282	517
	9999431283	547
	9999431284	513
	9999431285	517
	9999431294	51
	9999431302	101
	9999431305	51
	9999431322	453
	9999431323	7
	9999431325	7
	9999431331	693
	9999431339	97
	9999431341	185
	9999431349	699
	9999431355	689
	9999431357	689
	9999431358	689
	9999431399	127
	9999431418	67
9999431437	285	
9999431445	291	
9999431446	291	
9999431449	285	
9999431451	285	
9999431455	291	

From - BRACKET

To - BRKT

Manitowoc

Alphabetical Index	Appendix A	
Description	Part	Page
BRKT	9999431478	149
	9999431479	177
	9999431480	149
	9999431561	711
	9999431564	711
	9999431578	5
	9999431579	5
	9999431584	217
	9999431619	511
	9999431621	527
	9999431623	297
	9999431624	297
	9999431682	467
	9999431683	467
	9999431684	619
	9999431702	47
	9999431704	121
	9999431706	465
	9999431711	51, 87, 89
	9999431716	360
	9999431717	360
	9999431718	375
	9999431753	87
	9999431785	161
	9999431787	195, 205
	9999431819	458
	9999431828	457
	9999431858	525
	9999431861	183
	9999431862	183
	9999431866	593
	9999431868	563
	9999431873	607
	9999431883	199
	9999431884	199
	9999431886	189
	9999431887	199
	9999431888	199
	9999431890	189
	9999431892	199
	9999431893	199
	9999431913	189
	9999431922	189
	9999431924	33
	9999431925	189
9999431926	189	
9999431927	279	
9999431931	129	

From - BRKT

To - BRKT

Manitowoc

Alphabetical Index	Appendix A		
Description	Part	Page	
BRKT	9999431934	319, 651	
	9999431935	647	
	9999431939	575	
	9999431943	299	
	9999431944	493	
	9999431945	483, 487	
	9999431947	627	
	9999431987	759	
	9999432000	91, 391	
	9999432007	395	
	9999432008	367	
	9999432009	369	
	9999432010	263	
	9999432016	138	
	9999432018	323	
	9999432020	229, 235	
	9999432023	855	
	9999432031	439, 443	
	9999432035	585	
	9999432073	68, 360	
	9999432148	291	
	BRKT ASSY	9999431889	189
		9999431921	189
	BUSHING	9999400269	725
		9999400276	719
9999400279		613, 617	
9999400290		493, 627	
9999400296		451	
9999424284		33, 241	
9999428813		291	
9999429980		727	
9999430095		223	
9999430661		25	
9999431158		415	
9999432139		121	
BUTTON, THRUST		9999422580	346
BUZZER		9999407351	523
		9999431928	505
CAB ASSY	9999431207	133	
CABLE	9999422902	473	
	9999430024	661	
	9999431366	517	
	9999431376	517	
	9999431379	517	
	9999431390	589	

From - BRKT

To - CABLE

Manitowoc

Alphabetical Index	Appendix A	
Description	Part	Page
CABLE	9999431391	589
	9999431392	585
	9999431393	579
	9999431394	579
	9999431395	585
	9999431396	589
	9999431397	579
	9999431398	589
	9999431403	513
	9999431404	513
	9999432039	585
	9999432161	295
	9999432182	643, 651
	9999432183	647
	CABLE, CNTRL	9999400427
9999431074		451
9999431075		617
9999432135		465
CABLE, CONTROL	9999421433	613
CAMERA ASSY	9999430769	651
	9999430770	643, 647
CAP	9999401830	517, 539
	9999401831	513, 539
	9999401832	517, 539
	9999405771	541, 571
	9999406339	643, 647, 651
	9999419445	686
	9999421437	693
	9999422650	3, 15, 229, 235, 439, 443, 737, 749, 761, 825, 827
	9999422890	473
	9999424103	233
	9999430087	599, 603
	9999432100	149, 177, 699
	9999432177	285
CAP ASSY	9999425301	699
CAP SCREW	9086100426	870
CAP SCREW,	9086100161	859, 873
	9086100976	873
CAP, FILLER	9999430472	359
CAPSCR	9999421357	681
	9999421383	497, 501
	9999429517	439, 443
	9999429520	91, 263

From - CABLE

To - CAPSCR

Manitowoc

Alphabetical Index	Appendix A		
Description	Part	Page	
CAPSCR	9999430673	25	
	9999431180	723	
	9999431764	11	
	9999431765	11	
	9999431766	11	
	9999431885	199, 203	
	9999432062	11	
	9999432063	195, 205	
	9999432064	425, 427	
	9999432065	387	
	9999432179	291	
	9999432222	723	
	9999432223	429, 431, 433, 439, 443	
	9999432224	723	
	9999432225	681	
	9999432226	451	
	9999432227	523	
	9999432228	749	
	9999432229	711	
	9999432230	375	
	9999432231	63	
	9999432232	195, 205	
	9999432233	403	
	9999432234	405	
	9999432235	381	
	9999432236	93, 397	
	9999432237	399	
	9999432238	681	
	CAPSCREW	9086101387	866
		9999403328	281
		9999407290	715
		9999408766	525
		9999408820	335
9999419659		5, 209, 593	
9999420190		415	
9999420220		327	
9999420235		715, 721	
9999420237		345	
9999420256		563	
9999421364		59, 360, 461	
9999421368		209, 291, 360, 425, 427, 613, 617, 699	
9999421370		87	
9999421373		375	
9999421374		67, 251, 761, 825, 827	
9999421375		190, 493, 627	
9999421384	67, 379		

From - CAPSCR

To - CAPSCREW

Manitowoc

Alphabetical Index	Appendix A	
Description	Part	Page
CAPSCREW	9999421385	55
	9999421531	731
	9999422291	797
	9999423315	193
	9999423467	39, 67
	9999423759	793
	9999424081	327
	9999424320	599, 603
	9999424649	507
	9999424651	685
	9999424652	345
	9999424657	669
	9999424658	345
	9999424661	439, 443
	9999424665	669
	9999424666	345
	9999424670	693
	9999424679	599, 603
	9999424683	115
	9999424685	458
	9999424686	367, 458, 513
	9999424689	597
	9999424690	291
	9999424691	15, 286, 479, 483, 487, 507
	9999424692	98, 115, 451
	9999424694	67, 479, 483, 487, 711
	9999424695	45, 193, 205
	9999424696	711
	9999424699	45, 63, 87, 89, 183
	9999424700	89
	9999424702	67, 801
	9999424703	33, 67, 821
	9999424704	281, 493, 627
	9999424706	51, 241, 494, 628, 823
	9999424707	797
	9999424712	493, 627
	9999424713	805
	9999424716	413
	9999424717	360, 721, 759, 817
	9999424718	199, 279, 801, 817
	9999424719	335, 337, 453, 805
	9999424720	750
	9999424723	327
	9999424724	693
	9999424725	193, 439, 443
9999424730	419	
9999424738	345	
9999424746	819	

From - CAPSCREW

To - CAPSCREW

Manitowoc

Alphabetical Index	Appendix A		
Description	Part	Page	
CAPSCREW	9999424750	429, 431, 433	
	9999424751	429, 431, 433, 439, 443	
	9999424755	719	
	9999424760	295	
	9999424762	391	
	9999424764	9, 458, 619	
	9999424767	98, 494, 628	
	9999424768	401	
	9999424769	737	
	9999424770	39	
	9999424771	51, 241, 281	
	9999424772	39, 45, 241	
	9999424775	227	
	9999424778	681	
	9999424781	681	
	9999424783	797	
	9999426488	439, 443	
	9999426494	369	
	9999427770	189, 199, 425, 427	
	9999428818	685	
	9999428819	669	
	9999428820	669	
	9999429805	75	
	CARTRIDGE	9999421443	377
	CARTRIDGE, MODE	9999421442	373
	CASE	9999422827	309
		9999422894	473
		9999422898	473
9999430000		119	
9999430020		661	
9999430086		599, 603	
9999430093		371	
9999430138		713	
9999431572		541	
CHAIN		9999431096	733
	9999431175	225	
CHAIN ASSY	9999422246	733	
CLAMP	9999400586	281	
	9999406008	765, 769, 773, 777, 783	
	9999406402	507	
	9999422641	101	
	9999422676	475, 633	
	9999422821	87, 89	
	9999424365	669	
	9999424381	415	

From - CAPSCREW

To - CLAMP

Manitowoc

Alphabetical Index	Appendix A	
Description	Part	Page
CLAMP	9999424384	599, 603
	9999425252	781
	9999427942	51, 87
	9999431286	555
	9999431303	121
	9999431304	51
	9999431340	97
	9999431423	63
	9999431439	285
	9999431442	285
	9999431443	285
	9999431701	45
	9999431999	409
	9999432034	241
	CLAMP, HALF	9999419434
9999424084		57, 59, 61, 249
CLAMP, HOSE	9999419237	291
CLEANER, AIR	9999431346	701
CLIP	9999404506	207
	9999406254	643, 651
	9999406256	313, 319, 763
	9999406258	513
	9999406261	711, 763
	9999406262	517, 711
	9999406263	589
	9999406266	579
	9999406272	313, 319, 458, 507, 509, 541, 579, 589, 599, 603, 607, 633, 651, 657, 659, 750
	9999406273	505, 539, 553, 561, 665
	9999406274	97, 109, 113, 133, 257, 263, 265, 279, 313, 319, 395, 458, 471, 475, 479, 483, 487, 505, 523, 561, 579, 633, 643, 647, 651, 659, 665
	9999406275	33, 89, 97, 109, 113, 245, 257, 292, 387, 505, 507, 517, 523, 539, 561, 579, 589
	9999406277	513, 517, 539
	9999406278	89, 292, 517
	9999406279	458, 561
	9999406555	292, 517
	9999407365	659
	9999419252	121, 265, 292, 385
	9999419253	291
	9999422461	360

From - CLAMP

To - CLIP

Manitowoc

Alphabetical Index	Appendix A	
Description	Part	Page
CLIP	9999422675	33, 41, 68, 93, 292, 513, 517, 519, 545, 711
	9999422880	285
	9999424360	669, 689, 711
	9999424361	711
	9999424362	341, 707
	9999424363	591
	9999424364	669
	9999424368	669, 699
	9999424370	699
	9999424372	711
	9999424373	241
	9999424375	39, 51, 87
	9999424377	39
	9999424391	3, 229, 451
	9999424392	15, 693
	9999424393	97, 113, 241, 395
	9999424394	98, 291
	9999424396	67, 77, 79, 89, 121
	9999424398	67
	9999424404	613, 617
	9999424405	97, 113, 115, 241, 381, 395, 409
	9999424406	711
	9999425222	545, 670
	9999425318	643, 647, 651
	9999425319	325
	9999426456	711
	9999427762	413, 581, 587
	9999427939	505, 507, 511, 517, 523, 539, 541, 553, 561, 579
	9999427940	505, 507, 511, 517, 523, 527, 539, 541, 543, 553, 561, 575, 585, 593, 689
	9999428315	67, 89, 93, 251
	9999431117	138
	9999431146	263, 265
	9999431147	89
	9999431152	699
	9999431157	77, 79
	9999431159	711
	9999431166	511
	9999431244	138
	9999431245	138
	9999431246	138
	9999432121	275
	9999432122	275
	9999432123	275

From - CLIP

To - CLIP

Manitowoc

Alphabetical Index	Appendix A	
Description	Part	Page
CLIP	9999432124	275
	9999432142	285
	9999432184	39, 67
	9999432185	113
	9999432186	395
	9999432187	97
CNTRL BOX ASSY	9999430902	539
CNTRLLER	9999431568	655
	9999432076	665
CNTRLLER ASSY	9999431153	505, 541
	9999431569	457
COCK, DRAIN	9999407129	341
	9999408882	705
	9999408883	93
	9999431179	681
COIL	9999422897	473
COLLAR	9999401915	725
	9999401916	725
	9999402267	727
	9999402268	727
	9999422184	791
	9999425413	171
COMPRESSOR	9999423817	291
CONDENSER	9999431149	291
CONDITIONER ASSY,AIR	9999431427	285
	9999431428	291
CONDITIONER, AIR	9999431429	285
CONNECTOR	9999405201	409, 749
	9999405241	9
	9999405278	279, 369
	9999405280	279
	9999405289	103
	9999406224	9, 523
	9999406315	15
	9999407118	681
	9999407128	341
	9999407224	473
	9999407873	73, 253
	9999408697	117
	9999408698	249
	9999408699	399
	9999408701	263, 628
	9999422517	415
9999422536	15	

From - CLIP

To - CONNECTOR

Manitowoc

Alphabetical Index	Appendix A	
Description	Part	Page
CONNECTOR	9999422541	9, 55, 81, 105, 269, 401, 403, 457, 497, 501, 619
	9999422550	115
	9999422660	59, 249
	9999422954	81
	9999423189	689
	9999423222	73, 253
	9999423223	73, 253
	9999423224	73, 253
	9999424051	494
	9999424055	105
	9999424059	253
	9999424467	125
	9999424474	109, 261, 628
	9999424475	59, 61, 81, 83, 103, 249, 263, 273, 279, 367, 385, 391, 497, 501
	9999424476	107
	9999424477	47, 75, 101, 107, 263, 267, 271, 383, 389, 397, 399, 405, 409
	9999424478	409
	9999424479	93, 101, 111, 115, 117, 125, 279, 359, 369, 389, 409, 415
	9999424481	59, 71, 75
	9999424482	245
	9999424483	3, 229, 235, 439, 443, 763
	9999425233	403
	9999425240	59, 367, 457
	9999425242	749
	9999426065	497, 501
	9999426067	117
	9999427931	105, 117, 619
	9999428266	117
	9999428267	409
	9999428616	291
	9999429425	279, 389
	9999429802	253
	9999429803	117
	9999429998	707
	9999430007	609, 661
	9999431124	33, 51, 87, 89, 693
	9999431126	39
	9999431127	253
	9999431134	9
	9999431136	619
	9999431139	401, 457
	9999431165	41, 59, 61, 81, 249, 273, 391

From - CONNECTOR

To - CONNECTOR

Manitowoc

Alphabetical Index	Appendix A	
Description	Part	Page
CONNECTOR	9999432044	59, 61, 249
	9999432045	125
	9999432046	107, 497, 501
	9999432047	749
	9999432048	494
	9999432049	251
	9999432050	389
	9999432051	359
	9999432052	269, 401
	9999432053	73
	9999432054	89
	9999432055	71
	CONNECTOR ASSY	9999430837
9999430887		251
9999430888		68
9999431041		115
9999431068		68
9999431070		79
9999431400		127
9999431712		89
9999431988		77
9999432005		409
9999432006	409	
CONTROLLER	9999421449	511
COOLER, OIL	9999431929	35
CORE	9999422892	473
COTTER PIN	9999424609	799, 837, 839, 841
COUPLING	9999419488	89
	9999431686	29
	9999432189	39
	9999432190	39
COVER	9086100405	870
	9999401775	599, 603
	9999401800	301, 303
	9999401806	721
	9999405896	551
	9999405897	551
	9999422893	473
	9999423626	219
	9999425324	609
	9999425329	609
	9999425330	609
	9999425331	609
	9999425339	645, 649, 653
	9999425416	663

From - CONNECTOR

To - COVER

Manitowoc

Alphabetical Index	Appendix A	
Description	Part	Page
COVER	9999426443	295
	9999428310	363
	9999429435	439, 443
	9999430092	371
	9999430103	299
	9999430485	5
	9999431187	227
	9999431188	227
	9999431189	227
	9999431243	641
	9999431273	539
	9999431295	121
	9999431307	637
	9999431309	299
	9999431310	623
	9999431353	699
	9999431426	59
	9999431492	145
	9999431493	145
	9999431494	145
	9999431495	145
	9999431497	145
	9999431503	145
	9999431509	153
	9999431510	153
	9999431533	177
	9999431542	150
	9999431543	178
	9999431559	149
	9999431562	711
	9999431570	539
	9999431582	217
	9999431583	217, 219
	9999431588	5
	9999431589	5
	9999431590	233
	9999431591	233
	9999431592	233
	9999431593	233
	9999431594	237
	9999431595	237
	9999431596	211
	9999431598	211
	9999431599	211
	9999431600	211
9999431601	211	
9999431603	211	
9999431605	211	

From - COVER

To - COVER

Manitowoc

Alphabetical Index	Appendix A		
Description	Part	Page	
COVER	9999431606	211	
	9999431607	211	
	9999431608	211	
	9999431609	212	
	9999431620	523	
	9999431703	47	
	9999431826	457	
	9999431830	138	
	9999431899	189	
	9999431901	199	
	9999431905	189	
	9999431906	189	
	9999431907	189	
	9999431908	189	
	9999431914	203	
	9999431915	203	
	9999431916	203	
	9999431917	203	
	9999431918	203	
	9999431919	189	
	9999431920	189	
	9999431930	129	
	9999431932	641	
	9999431938	575	
	9999431941	494	
	9999431958	419	
	9999432011	207	
	9999432012	207	
	9999432013	207	
	9999432014	207	
	9999432017	138	
	9999432021	229	
	9999432022	235	
	9999432025	549	
	9999432036	693	
	9999432079	211	
	9999432080	211	
	9999432081	211	
	9999432082	211	
	9999432156	295	
	9999432158	295	
	COVER ASSY	9999431311	623
		9999431348	699
		9999431496	145
		9999431502	145
9999431581		217	
9999431597		211	

From - COVER

To - COVER ASSY

Manitowoc

Alphabetical Index	Appendix A	
Description	Part	Page
COVER ASSY	9999431602	211
	9999431604	211
	9999431612	211
	9999431613	211
	9999431614	211
	9999431900	199
	9999431942	494
	9999432015	138
	9999432077	211
	9999432078	211
	9999432096	189
	COVER ASSY HYD TANK	9999430897
COVER ASSY, DRUM	9999431576	233
COVER ASSY, DRUM,3RD	9999431577	237
COVER ASSY, UNDER DECK	9999430910	209
COVER, BEARING	9086100457	866
COVER, FR.	9999430657	25
COVER, RE.	9999430658	25
CROSS	9999431424	61
CWT	9999431960	743
	9999431961	743
	9999431962	743
CYL ASSY	9999432032	733
CYL ASSY, HYD	9999431193	749
CYL ASSY,GANTRY	9999431194	755
DECK ASSY, LH	9999431876	203
DECK ASSY, RH	9999431875	203
DECK, LH	9999431879	203
	9999431880	203
	9999431881	203
DECK, RH	9999431874	203
	9999431877	203
	9999431878	203
DIPSTICK	9999403219	341
DOOR	9999431483	177
	9999431484	149, 177
	9999431485	149, 177
	9999431498	177
DRIVE SCREW	9086100327	859, 863, 866, 869, 873, 877
DRUM, WINCH	9999425389	281

From - COVER ASSY

To - DRUM, WINCH

Manitowoc

Alphabetical Index	Appendix A	
Description	Part	Page
DRUM, WINCH	9999431327	435
	9999431328	445
DUCT	9999422859	285
	9999422867	285
	9999431171	286
	9999431433	285
	9999431434	285
	9999431435	285
	9999431440	285
	9999431441	285
	9999432145	285
	ELBOW	9999422516
9999422674		101
9999424061		81, 103, 385
9999427930		269, 399, 401
9999431128		81, 89, 249, 369
9999431129		251
9999431131		73, 253
9999432056		359
ELBOW, 45	9999419573	763
	9999422527	9, 55
	9999424068	59, 61, 249
	9999424496	41, 91, 249, 273, 385, 391
	9999424497	107, 127
	9999424498	263, 279, 403
	9999426073	415
	9999426464	45
	9999428814	39
	ELBOW, 90	9999405284
9999408703		59, 61
9999408706		389, 494, 628
9999421210		47, 55, 63, 75, 105, 241, 457, 497, 501, 619
9999422513		71, 375
9999422514		359
9999422515		251
9999422545		749
9999424045		81
9999424060		263
9999424062		9, 457, 619
9999424358		81, 263, 341, 389
9999424486		41, 81, 91, 103, 105, 125, 279, 359, 367, 369, 389, 391, 457
9999424487		107, 383, 405, 415
9999424488		9, 107, 127, 255, 359, 383, 397, 401, 497, 501

From - DRUM, WINCH

To - ELBOW, 90

Manitowoc

Alphabetical Index	Appendix A		
Description	Part	Page	
ELBOW, 90	9999424490	101, 115, 117, 257, 259, 263, 279, 359, 369, 375, 405, 409, 413, 415, 494	
	9999424491	45	
	9999424492	51, 63, 68, 71, 81, 249	
	9999424493	613, 617	
	9999424494	15, 439, 443, 451	
	9999426071	41, 59	
	9999426462	681, 686	
	9999429741	117, 389	
	9999430058	689	
	9999431125	33	
	9999431133	699	
	9999431425	67	
	9999432191	291	
	ELEMENT, FILTER	9999429896	713
		9999430145	713
		9999432173	365
ELEMENT, FILTER HYD TANK	9999431073	359	
END, DEAD	9086100009	859, 865, 869, 873	
ENGINE, HINO	9999431254	677	
EXTINGUISHER, FIRE	9999405487	855	
FAN	9999406235	325	
FILTER	9999424323	371	
	9999432171	286	
FILTER ASSY, OIL	9999430091	375	
FILTER, DRAIN	9999422566	359	
FILTER, FUEL	9999431072	711	
	9999432129	713	
FILTER, INLINE	9999405345	115	
	9999425024	119	
FILTER, LINE	9999429496	369	
FITTING	9086100151	859, 865, 869, 873	
FITTING, 90 DEGREE	9053100101	861, 877	
FITTING, GREASE	9053100119	861, 877	
FLANGE	9999419432	360	
	9999422934	363	
	9999423472	27	
	9999424444	47, 241, 413	
FRAME	9999431966	749	
	9999431997	761	

From - ELBOW, 90

To - FRAME

Manitowoc

Alphabetical Index	Appendix A	
Description	Part	Page
FRAME	9999432160	295
FRAME, SHEAVE, AUX	9999423733	817
FUSE ASSY	9999432026	511
GANTRY ASSY, SUB	9999431010	755
GASKET	9999430001	713
	9999430136	713
	9999430662	25
	9999430663	25
	9999431356	689
GAUGE	9999408665	359
GAUGE, LEVEL	9999406343	323
GAUGE, LEVEL, FUEL	9999431959	705
GAUGE, LEVEL, OIL	9999408664	359
	9999423684	685
GEAR	9999408085	345
	9999430668	25
	9999430669	25
	9999430671	25
	9999430672	25
	9999431719	685
	9999431720	685
	9999431721	685
	9999431722	685
GEAR, RING	9999423536	345
GEAR, SUN	9999408082	345
GRILLE	9999432143	286
GRIP	9999400468	461
	9999400472	457
	9999406839	457, 635
	9999407219	469, 619
	9999425404	463
	9999427441	457
	9999432150	699
GRIP ASSY	9999407221	471
	9999421467	457
GROMMET	9999403193	693
	9999422271	167
	9999422273	531
	9999422274	167
	9999422319	453
	9999428313	193
	9999432125	190

From - FRAME

To - GROMMET

Manitowoc

Alphabetical Index	Appendix A		
Description	Part	Page	
GROMMET	9999432126	129	
	9999432127	199, 545	
	9999432144	285	
	9999432175	97	
GUARD	9999431079	292	
	9999431335	693	
	9999431450	285	
	9999431487	167	
	9999431539	150	
	9999431540	150	
	9999431622	141	
	9999431979	759	
	9999431980	759	
	9999431981	759	
	9999431982	759	
GUARD ASSY, LH	9999430896	167	
GUARD ASSY, RH	9999430895	145	
GUARD, SHEAVE	9999408306	801	
	9999423734	817	
	9999423751	821	
	9999431994	801	
GUIDE	9086100163	859	
GUIDE ASSY.	9086101379	873	
GUIDE, REEVING	9086100059	865, 869	
GUY CABLE	9999404248	845	
	9999404250	851	
	9999404252	849	
	9999404255	847	
	9999404257	843	
	9999408326	835	
	9999408645	837	
	9999408647	839	
	9999408651	841	
	HAIR-PIN	9999427300	739
	HANDLE	9999422712	207
9999426441		295	
9999431173		855	
9999432112		753	
HANDRAIL	9999431767	169	
	9999431770	169, 181	
	9999431771	161	
	9999431772	183	
	9999431773	183	
	9999431776	161	

From - GROMMET

To - HANDRAIL

Manitowoc

Alphabetical Index	Appendix A	
Description	Part	Page
HANDRAIL	9999431777	161
	9999431779	181
	9999431782	157
	9999432092	199
HANDRAIL ASSY	9999431768	183
	9999431769	161
	9999431775	161
	9999431778	181
HANDRAIL ASSY LH GUARD FRT	9999430951	167
HARNESS	9999431344	507
	9999431345	507
	9999431354	561
	9999431365	545
	9999431367	539
	9999431368	539
	9999431369	539
	9999431370	593
	9999431371	553, 555
	9999431372	517
	9999431373	545
	9999431374	553
	9999431375	545
	9999431377	319
	9999431378	313
	9999431380	517
	9999431381	523
	9999431382	547
	9999431383	575
	9999431384	539
	9999431385	527
	9999431386	555
	9999431387	655
	9999431388	539
	9999431389	505
	9999432027	325
	9999432038	519
HOLDER	9999406232	9, 523
	9999406887	707
HOOK	9053100042	861, 877
	9053100109	863
	9999404177	733
	9999406178	591
	9999406179	581, 587
HOOK & EYE	9539220001	857
	9539220027	879

From - HANDRAIL

To - HOOK & EYE

Manitowoc

Alphabetical Index	Appendix A	
Description	Part	Page
HOOK & NUT ASSY.	9086101176	859, 873
	9086101215	869
HOOK AND NUT ASSEMBLY	9086100992	865
HORN	9999421228	539
	9999430014	657
	9999431145	539
HOSE	9999405127	39
	9999420569	89
	9999420592	97
	9999420836	409
	9999420848	57
	9999420939	409
	9999426234	291
	9999429505	241
	9999429506	51, 87
	9999429999	707
	9999430015	286
	9999431086	439, 443
	9999431087	3
	9999431089	15
	9999431090	229
	9999431091	763
	9999431092	235
	9999431093	763
	9999431118	39
	9999431119	39
	9999431137	689
	9999431151	285
	9999431170	286
	9999431255	669
	9999431256	669
	9999431257	669
	9999431258	669
	9999431259	669
	9999431264	669
	9999431265	669
	9999431347	699
	9999431444	285
	9999431560	711
9999431563	711	
9999431565	711	
9999431566	711	
9999431567	711	
9999432066	669	
9999432136	291	
HOSE ASSY	9999420570	93

From - HOOK & NUT ASSY.

To - HOSE ASSY

Manitowoc

Alphabetical Index	Appendix A	
Description	Part	Page
HOSE ASSY	9999420607	109
	9999420608	257
	9999423231	68
	9999423235	67
	9999424890	391
	9999424892	97
	9999424894	385
	9999424898	397, 405
	9999424899	397
	9999424901	397
	9999424904	497, 501
	9999424905	501
	9999424909	113
	9999424911	255
	9999424912	113, 241
	9999424944	61
	9999424949	391
	9999424951	401
	9999424956	401
	9999424957	401
	9999424960	381
	9999426526	97, 101
	9999426570	409
	9999426571	409
	9999427774	41
	9999428333	117
	9999429686	279
	9999431088	229
	9999431120	67
	9999431121	375
	9999431122	33
	9999431123	33
	9999431296	51
	9999431297	51
	9999431298	51
	9999431299	51
	9999431300	51
	9999431301	51
	9999431406	67
	9999431407	67
	9999431408	67
	9999431409	67
	9999431410	251
	9999431411	67
	9999431412	67
	9999431413	251
	9999431419	59
9999431420	61	

From - HOSE ASSY

To - HOSE ASSY

Manitowoc

Alphabetical Index	Appendix A	
Description	Part	Page
HOSE ASSY	9999431421	249
	9999431422	249
	9999431447	291
	9999431448	291
	9999431452	291
	9999431453	291
	9999432067	359
	9999432069	67
	9999432070	67
	9999432071	67
	9999432072	251
	9999432120	693
	9999432241	241
	9999432242	279
	9999432243	47
	9999432244	89
	9999432245	359
	9999432246	127
	9999432247	89
	9999432248	93
	9999432249	39
	9999432250	67
	9999432251	57
	9999432252	89
	9999432253	77, 79
	9999432254	245
	9999432255	83
	9999432256	359
	9999432257	497, 501
	9999432258	41
	9999432259	359
	9999432260	385
	9999432261	91
	9999432262	97
	9999432263	97
	9999432264	57
	9999432265	397
	9999432266	381, 397, 401
	9999432267	271
	9999432268	97
9999432269	97	
9999432270	97	
9999432271	97, 255	
9999432272	97, 113	
9999432273	113	
9999432274	109	
9999432275	113	
9999432276	97	

From - HOSE ASSY

To - HOSE ASSY

Manitowoc

Alphabetical Index	Appendix A	
Description	Part	Page
HOSE ASSY	9999432277	113
	9999432278	113
	9999432279	257
	9999432280	241
	9999432281	97
	9999432282	97, 241
	9999432283	97
	9999432284	97
	9999432285	113
	9999432286	97
	9999432287	111, 403
	9999432288	389
	9999432289	259
	9999432290	263
	9999432291	111
	9999432292	101
	9999432293	101
	9999432294	89
	9999432295	279
	9999432296	127
	9999432297	127
	9999432298	127
	9999432299	127
	9999432300	127
	9999432301	115
	9999432302	115
	9999432303	67
	9999432304	77, 79
	9999432305	251
	9999432306	47
	9999432307	47
	9999432308	241
	9999432309	75
	9999432310	115
	9999432311	61
	9999432312	59, 249, 381
	9999432313	61
	9999432314	59, 249
	9999432315	41
	9999432316	245
	9999432317	41, 59
	9999432318	249
9999432319	385	
9999432320	391	
9999432321	273	
9999432322	401	
9999432323	269	
9999432324	269	

From - HOSE ASSY

To - HOSE ASSY

Manitowoc

Alphabetical Index	Appendix A	
Description	Part	Page
HOSE ASSY	9999432325	401
	9999432326	113
	9999432327	113
	9999432328	45
	9999432329	263
	9999432330	115
	9999432331	115
	9999432332	409
	9999432333	409
	9999432334	115
	9999432335	47
	9999432336	39
	9999432337	359
	9999432338	57
	9999432339	113
	9999432340	113
	9999432341	267
	9999432342	399
	9999432343	399
	9999432344	501
	9999432345	97
	9999432346	497
	9999432347	497
	9999432348	279
	9999432349	413
	9999432350	279
	9999432351	279
	9999432352	413
	9999432353	413
	9999432354	251
	9999432355	413
	9999432356	413
HOSE ASSY, USE AS REQUIRED	9999408793	341
	9999408805	707
	9999422504	67
	9999422519	89
	9999422710	286
	9999424910	97
	9999426517	67
	9999426521	83
9999428803	711	
HOUSING	9086100507	873
	9999423537	345
	9999423538	345
	9999423539	345
HOUSING, HOOK PIVOT	9086100539	859
	9086100553	865

From - HOSE ASSY

To - HOUSING, HOOK PIVOT

Manitowoc

Alphabetical Index	Appendix A	
Description	Part	Page
HOUSING, TRUNNION	9086101401	869
HSG	9999431740	685
HYD LINES, DELIVERY	9999430931	395
HYD LINES, RETURN	9999430936	395
HYD LINES, WINCH 3RD	9999430882	245
HYD LINES, WINCH FRT	9999430883	57
HYD LINES, WINCH RR	9999430884	57
INSULATION	9999425340	645, 649, 653
	9999431172	286
	9999431332	693
	9999431333	693
	9999431334	693
	9999431430	286
	9999431456	286
	9999431457	286
	9999431501	150
	9999431535	149, 177
	9999431536	150
	9999431541	150
	9999431549	153
	9999431551	153
	9999431627	494
	9999431628	494
	9999431629	494
	9999431630	494
	9999431631	623
	9999431632	623
	9999431633	623
	9999431634	623
	9999431635	145, 150
	9999431636	149
	9999431637	149
	9999431638	150, 153
	9999431639	150
	9999431640	189
	9999431641	189
	9999431642	145
	9999431643	145
	9999431644	150
	9999431645	153
	9999431646	153
	9999431647	150
	9999431648	7
	9999431649	7
	9999431650	7

From - HOUSING, TRUNNION

To - INSULATION

Manitowoc

Alphabetical Index	Appendix A	
Description	Part	Page
INSULATION	9999431651	7
	9999431652	7
	9999431653	7
	9999431654	207
	9999431655	207
	9999431656	207
	9999431657	207
	9999431658	207
	9999431659	133
	9999431660	207
	9999431661	207
	9999431662	207
	9999431663	207
	9999431664	207
	9999431665	511
	9999431666	197
	9999431667	197
	9999431668	197
	9999431669	197
	9999431670	197
	9999431671	197
	9999431672	197
	9999431673	197
	9999431674	197
	9999431675	207
	9999431676	511
	9999431677	138
	9999431748	33
	9999431749	33
	9999431750	33
	9999431752	33
	9999431755	33
	9999431891	189
	9999431896	189
	9999431897	189
	9999431898	189
	9999431909	189
	9999431910	189
	9999431911	189
	9999431912	189
	9999431923	189
	9999432037	693
	9999432075	150
	9999432084	149
	9999432085	145, 149
9999432086	145, 149	
9999432087	149	
9999432088	145, 149	

From - INSULATION

To - INSULATION

Manitowoc

Alphabetical Index	Appendix A	
Description	Part	Page
INSULATION	9999432089	145, 149
	9999432090	149
	9999432091	150
INSULATION INSTAL	9999430918	193
	9999431625	7
	9999431626	207
JIB ASSY, LOW	9999431363	819
	9999431364	829
JIB ASSY, UPP	9999407834	819
JIB, INSERT	9999401378	833
	9999407837	831
JIB, LOW	9999431362	819
JIB, UPP	9999407835	819
JOINT	9999431132	699
	9999431936	575
JOINT ASSY, SWIVEL	9999430876	413
JOINT, BALL	9999408725	479, 483, 487
JOINT, SWIVEL	9999423678	755
JUNCTION BOX ASSY	9999430913	523
	9999431617	585
KIT, LATCH	9053100110	863
	9086100726	859, 873
	9086100822	861, 877
	9539220032	857
	7576001728	879
KIT, SAFETY LATCH LABEL	90001178	579
	9999424175	589
	9999427726	579
	9999431460	541
	9999431829	571
	9999431937	575
	9999431940	575
	9999432074	579
	9999431781	157
LADDER ASSY	9999431780	157
	9999431783	157
	9999421495	575
LAMP	9999425256	517, 539
LAMP, FLASHER	9086100713	865, 869
LATCH, KIT	9999430152	173, 315, 321
LENS		

From - INSULATION

To - LENS

Manitowoc

Alphabetical Index	Appendix A		
Description	Part	Page	
LEVER	9999407391	479, 483, 487	
	9999423676	493, 627	
	9999431306	619	
	9999431707	461	
	9999431811	457	
	9999431812	457	
	9999431813	457	
	9999431814	457	
	9999431825	457	
	9999431827	457	
	9999431972	749	
	LEVER ASSY	9999408189	493, 627
		9999431831	467, 619
9999431832		467	
LEVER ASSY, THROTTLE	9999421244	457	
LIGHT	9999425326	609	
	9999426449	167, 313, 319	
LIGHTER, CIGARETTE	9999406236	457	
LINK	9999400437	493, 627	
	9999400450	493, 627	
	9999407393	479, 483, 487	
	9999408187	493, 627	
	9999408192	493, 627	
	9999423760	793	
	9999423761	793	
	9999431185	739	
	9999431270	853	
	9999431708	461	
	9999431946	479, 483, 487	
	9999431963	753	
	9999431967	749	
	9999431968	749	
	9999431975	753	
	LINK, SWIVEL ASSY.	9053100122	861
	LINK,CENTER	9053100120	863
	LOAD CELL	9999427442	593
	LOCK ASSY, DRUM,BOOM	9999432028	451
LOCK ASSY, SWING LH STAND	9999430934	457	
LOCK WASHER	9999421387	51, 68, 241, 251, 281, 375, 494, 628, 761, 797, 801, 821, 823, 825, 827	
	9999421388	199, 279, 360, 413, 721, 759, 801	
	9999422212	185	

From - LEVER

To - LOCK WASHER

Manitowoc

Alphabetical Index	Appendix A		
Description	Part	Page	
LOCK WASHER	9999424861	819	
	9999424863	731	
	9999424865	543	
	9999424866	91, 263, 295, 387, 391, 497, 501, 523	
	9999424867	9, 39, 55, 68, 93, 97, 379, 381, 397, 399, 401, 403, 405, 458, 494, 619, 628	
	9999424868	39, 51, 241, 281	
	9999424871	719	
	9999424873	509, 563, 599, 603, 605, 797	
	9999424874	325, 525, 639	
	9999424875	115, 157, 539, 571, 589, 599, 603	
	9999424876	59, 360, 367, 369, 458, 479, 483, 487, 513	
	9999424877	15, 45, 47, 63, 68, 75, 87, 89, 98, 115, 127, 193, 209, 227, 263, 286, 360, 375, 395, 453, 479, 483, 487, 507, 517, 549, 607, 749, 763	
	9999424878	805	
	LOCK WSHR	9999430005	173, 315, 321
	LUB LINES, GANTRY	9999431058	755
MACHINE SCR	9999430154	173, 315, 321	
	9999432141	286	
	9999432178	285	
MACHINE SCREW	9999420260	157, 511	
	9999422318	185, 639	
	9999424784	685	
	9999424788	509, 599, 603	
	9999424789	639	
	9999424794	325	
	9999424798	571	
MANIFOLD	9999431293	101	
	9999431415	71	
	9999431998	403, 405	
	9999432040	93	
MAT, FLOOR	9999431678	309	
MEMBER, COMP, GANTRY	9999431990	759	
MEMBER, TENS, GANTRY	9999431991	759	
	9999431992	759	
	9999431993	759	
METER, HOUR	9999407419	185	

From - LOCK WASHER

To - METER, HOUR

Manitowoc

Alphabetical Index	Appendix A	
Description	Part	Page
MICROPHONE	9999407368	659
MIRROR	9999407300	167
	9999425325	609
MOMENT LIMITER ASSY	9999431154	505
MONITOR ASSY, SAFETY	9999431933	575
MOTOR ASSY, HYD	9999431401	331
	9999431402	447
MOTOR, ELEC	9999425327	609
MOTOR, HYD	9999430699	281
MOTOR, HYD.	9999406802	339
NAME PLATE	9999428022	531
NAMEPLATE, RATING & I.D.	2018480	863
NIPPLE, GREASE	9999421341	15, 737, 749, 759, 761, 787, 791
	9999421342	3, 229, 235, 439, 443, 801, 825, 827
	9999424472	763
NOZZLE	9999431438	285
	9999431454	286
NUT	9086100061	859, 865, 869, 873
	9086100068	865, 869
	9086100071	859, 869
	9086100074	865, 869, 873
	9086100144	863
	9086100250	873
	9086100300	861, 877
	9999403557	599, 603
	9999408710	3, 229, 451, 513, 613, 617
	9999408711	68, 77, 79, 89, 93, 98, 113, 121, 217, 229, 233, 235, 237, 241, 263, 265, 285, 291, 360, 381, 385, 395, 409, 505, 507, 511, 517, 523, 527, 539, 541, 543, 553, 561, 563, 575, 593, 647, 711
	9999419671	731
	9999419709	767, 771, 775, 779, 785
	9999419776	597
	9999421346	465, 479, 483, 487, 513, 589, 641
	9999421348	51, 190, 241, 479, 483, 487, 493, 627, 797
	9999424076	67, 251, 711

From - MICROPHONE

To - NUT

Manitowoc

Alphabetical Index	Appendix A	
Description	Part	Page
NUT	9999424546	669
	9999424548	605
	9999424549	543
	9999424550	539
	9999424552	543
	9999424553	539, 749
	9999424554	458, 619
	9999424557	458, 619
	9999424558	451, 613, 617
	9999424561	599, 603
	9999424564	525
	9999424565	360, 461, 479, 483, 487, 517
	9999424567	45, 63, 115, 127, 227, 409, 479, 483, 487, 549, 607, 763
	9999424569	195, 205, 281, 327
	9999424570	327, 415, 425, 427, 787, 789
	9999424572	681
	9999424573	781
	9999425343	645, 649, 653
	9999425412	171
	9999426469	711
	9999428815	669
	9999430006	173, 315, 321
	9999432216	494, 627
	9999432217	195, 205
	NUT ASSY	9999430146
OIL SEAL	9999402814	685
	9999408466	439, 443
	9999419364	345
	9999430664	25
	9999431957	419
O-RING	9999405327	681
	9999407139	681
	9999419258	327
	9999419261	429, 431, 433, 439, 443
	9999419310	39
	9999422558	335, 337
	9999422629	39, 360
	9999422630	119
	9999422685	693
	9999422896	473
	9999424043	681
	9999424407	727
	9999424410	725
	9999424412	365
	9999424413	719
	9999424419	363

From - NUT

To - O-RING

Manitowoc

Alphabetical Index	Appendix A		
Description	Part	Page	
O-RING	9999424421	359	
	9999424422	359	
	9999424423	45, 81	
	9999424424	45, 63, 125, 241, 415	
	9999424429	619	
	9999424430	377	
	9999424431	81	
	9999424432	45	
	9999424434	45, 47, 51, 55, 241, 245, 275, 413, 415	
	9999424435	39, 51, 57, 59, 61, 63, 68, 241, 249, 379	
	9999424437	737	
	9999426457	363	
	9999430002	371	
	9999430008	377	
	9999430142	713	
	9999430156	737	
	9999430368	419	
	9999430666	25	
	9999431140	419	
	9999431141	419	
	9999432188	87, 693	
	PACKING	9999428551	365
	PAD	9999432157	295
	PANEL	9999430022	661
		9999431276	541
		9999431465	145
		9999431466	145
		9999431467	145
9999431470		177	
9999431471		177	
9999431486		149	
9999431489		153	
9999431490		177	
9999431499		149	
9999431508		149	
9999431512		177	
9999431513		149	
9999431514		145	
9999431515		177	
9999431516		177	
9999431517		177	
9999431518		177	
9999431519		149	
9999431520		149	
9999431521	177		

From - O-RING

To - PANEL

Manitowoc

Alphabetical Index	Appendix A		
Description	Part	Page	
PANEL	9999431524	177	
	9999431525	167	
	9999431531	177	
	9999431544	150	
	9999431546	150	
	9999431547	153	
	9999431548	153	
	9999431550	178	
	9999431553	163	
	9999431554	163	
	9999431557	163	
	9999431558	149	
	9999431618	543	
	PANEL ASSY	9999431504	145
9999431505		145	
9999431506		145	
9999431507		145	
9999431527		167	
9999431552		163	
PAWL	9999400463	493, 627	
	9999408349	613, 617	
	9999423811	613, 617	
	9999432029	451	
PEDAL	9999400418	305, 307	
	9999408190	494	
	9999408191	493, 627	
	9999422951	479, 483, 487	
PEDAL ASSY, BRAKE 3RD	9999431001	623	
PILLAR	9999431468	145	
	9999431469	145	
	9999431472	177	
	9999431474	177	
	9999431475	145	
	9999431488	149	
	9999431500	149	
	9999431511	177	
	9999431522	177	
	9999431523	177	
	9999431528	177	
	9999431529	177	
	9999431530	177	
	9999431532	149	
	9999431537	149	
	9999431545	150	
	PIN	9053100043	861, 877

From - PANEL

To - PIN

Manitowoc

Alphabetical Index	Appendix A	
Description	Part	Page
PIN	9053100107	863
	9086100168	859
	9086101404	869
	9826220002	861, 870, 874
	9999400087	493, 627
	9999400109	829
	9999400116	825
	9999400117	825
	9999400133	825
	9999400166	787
	9999400171	829, 831, 833
	9999402839	819
	9999402878	731
	9999402881	719
	9999402888	493, 627
	9999402891	493, 627
	9999402966	345
	9999402982	787
	9999402996	817
	9999403020	493, 627
	9999403040	793
	9999406527	741
	9999406669	231, 791
	9999407303	719
	9999407688	787
	9999407692	795
	9999408086	345
	9999408087	345
	9999408228	853
	9999408262	817
	9999408299	803
	9999408308	803
	9999408314	791
	9999419814	5, 593
	9999419815	781
	9999419865	479, 483, 487
	9999419867	493, 627
	9999419870	597, 601
	9999419872	461
	9999419887	739
	9999421522	795, 809, 811, 813, 815
	9999421545	791, 799, 837, 839, 841
	9999421547	843, 845, 847, 849, 851
	9999422225	759
	9999422241	195, 205, 737, 739, 745, 750, 753
9999422899	473	
9999422930	597, 601	

From - PIN

To - PIN

Manitowoc

Alphabetical Index	Appendix A	
Description	Part	Page
PIN	9999422959	451
	9999423001	327
	9999423389	5
	9999423747	817, 821, 825, 827
	9999423749	801
	9999423750	821
	9999423846	733
	9999424079	161, 169, 181, 183, 195, 205
	9999424601	493, 597, 627
	9999424606	793
	9999424610	843, 845, 847, 849, 851
	9999424622	479, 483, 487
	9999427455	725
	9999429675	465
	9999430036	825, 827
	9999431085	733
	9999431186	739
	9999431190	739
	9999431205	425, 427
	9999431249	737
	9999431251	737
	9999431252	737
	9999431271	853
	9999431786	161, 169, 181, 183
	9999431818	457
	9999431822	467
	9999431823	467
	9999431824	619
	9999431867	593
	9999431964	753
	9999431965	749
	9999431970	749
	9999431971	749
	9999431973	749
	9999431974	750
	9999431976	759
	9999431978	759
	9999431983	759
	9999431986	755
	9999431995	761
	9999431996	761
	9999432030	613, 617
	9999432043	761
	9999432060	739
	9999432061	749
9999432099	755	
9999432114	753	
9999432219	745	

From - PIN

To - PIN

Manitowoc

Alphabetical Index	Appendix A	
Description	Part	Page
PIN	9999432220	753
	9999432221	743
PIN ASSY	9999431969	749
PIN, CENTER	9053100124	863
	9086100504	865, 873
	9086101402	869
PIN, COTTER	9053100003	863
	9086100294	861, 870, 874, 877
	9539220026	857, 879
PIN, GROOVE	90015670	863
PIN, GROOVED	9086100556	865, 869
PIN, LOCK	9999402920	739, 743, 793
PIN, QUICK RELEASE	9086100558	865, 869
	9585100044	863
PIN, ROLL	9086100269	859, 865, 869, 873
PIN, SPIRAL	9086100164	859
PIN, SPLIT	9999400165	741, 791
	9999419805	467, 479, 483, 487, 619
	9999419813	761, 803, 817, 821, 825, 827
	9999419820	749, 759, 853
	9999419821	733, 825
	9999419823	759
	9999421527	791
	9999424578	601
	9999424581	601
	9999424589	767, 771, 775, 779, 785
	9999424598	149, 177, 493, 627, 699, 749
	9999424599	597
	9999424600	461
	9999424603	493, 627
	9999424605	755, 829
	9999424607	749, 753
	9999424608	825
	9999424611	819
	9999429156	755
	9999432218	479, 483, 487
PIN, SPRING	9999421544	833
	9999424619	681
	9999427714	589, 829, 831
	9999427715	585, 753, 817
	9999427716	231, 791, 795, 809, 811, 813, 815
	9999427717	733, 750, 759, 853
PIN, STRESS	9086100506	873

From - PIN

To - PIN, STRESS

Manitowoc

Alphabetical Index	Appendix A	
Description	Part	Page
PIN, STRESS	9086100551	865
PIN,LATCH	9053100118	861, 877
PINION	9999400252	345
	9999408083	345
	9999408084	345
PLATE	9086101405	869
	9999401808	669
	9999402264	797
	9999402265	797
	9999402595	345
	9999402657	494, 628
	9999402662	451, 613, 617
	9999406623	807
	9999407471	759
	9999422188	345
	9999423552	685
	9999425328	609
	9999425405	463
	9999427969	457
	9999427970	457
	9999427971	631
	9999428550	365
	9999429436	439, 443
	9999431150	285
	9999431196	431, 439
	9999431197	433, 443
	9999431198	429
	9999431199	431
	9999431200	433
	9999431201	429
	9999431202	439
	9999431203	443
	9999431204	439, 443
	9999431281	263
	9999431308	453
	9999431324	453
	9999431405	565
	9999431416	67
9999431417	67	
9999431464	167	
9999431477	145, 149, 153, 211, 217	
9999431482	149	
9999431491	177	
9999431526	167	
9999431555	163	
9999431556	163	
9999431571	457	

From - PIN, STRESS

To - PLATE

Manitowoc

Alphabetical Index	Appendix A		
Description	Part	Page	
PLATE	9999431574	541	
	9999431575	707	
	9999431585	217	
	9999431586	217	
	9999431685	467, 619	
	9999431687	681	
	9999431705	461	
	9999431727	681	
	9999431731	685	
	9999431734	685	
	9999431735	685	
	9999431736	685	
	9999431737	685	
	9999431738	685	
	9999431739	685	
	9999431802	531, 532, 557, 559, 565	
	9999431804	531	
	9999431805	571	
	9999431806	531	
	9999431807	531	
	9999431808	531, 557, 559	
	9999431815	458	
	9999431816	458	
	9999431894	189	
	9999431895	189	
	9999431949	419	
	9999431955	415	
	9999431984	759	
	9999431985	759	
	9999432001	387	
	9999432024	549	
	9999432041	685	
	9999432042	685	
	9999432152	157, 217	
	PLATE ASSY	9999431538	178
		9999431587	217
	PLATE, ADAPTER	9539220029	857, 879
	PLATE, BAR	9053100095	861, 877
		9053100105	863
	PLATE, CAUTION	9086100137	859, 865, 869
	9086101384	873	
PLATE, CENTER	9086100166	859	
	9086100549	865	
	9086101380	873	
PLATE, FLOOR	9999431326	7	

From - PLATE

To - PLATE, FLOOR

Manitowoc

Alphabetical Index	Appendix A	
Description	Part	Page
PLATE, KEEPER	9999402756	761, 791, 825, 827
	9999423003	327
	9999423076	737
	9999425423	593
	9999431206	425, 427
PLATE, NAME / RATING	9086101217	859, 865, 869
	9086101383	873
PLATE, SIDE	9086100167	859
	9086100422	869
	9086100550	865
	9086101381	873
	9999430659	25
PLATE, SIDE WEIGHT	9086101388	866
PLATE,NAME I.D.	9053100051	877
PLATFORM	9999431758	195
	9999431761	195
PLATFORM ASSY	9999430948	193
PLATFORM ASSY, AUX	9999431757	205
PLATFORM, AUX	9999431759	205
	9999431760	205
	9999431762	205
PLUG	9999406548	55, 73, 75, 81, 117, 241, 253, 369, 409
	9999419438	803, 817
	9999422317	275
	9999422518	51, 71, 379
	9999422546	275
	9999422547	275
	9999422548	275, 389
	9999423888	689
	9999424442	379
	9999424447	81, 91, 369, 385, 497, 501
	9999424448	107, 255, 359, 383, 399, 403, 405
	9999424449	101, 111, 360, 379, 494
	9999424450	359, 363
	9999424451	360
	9999424453	229, 725, 727
	9999424454	419, 719
	9999424455	345, 419
	9999424456	345, 419, 686
	9999425059	61
	9999426459	275
9999430135	713	

From - PLATE, KEEPER

To - PLUG

Manitowoc

Alphabetical Index	Appendix A	
Description	Part	Page
PLUG	9999430141	713
	9999430665	25
	9999431784	157, 161, 169, 181, 183
POTENTIOMETER	9999421253	479, 483, 487
	9999424245	457, 635
	9999430025	661
PULLEY ASSY	9999432149	291
PUMP ASSEMBLY - HYDRAULIC GEAR	9999421478	21
	9999421479	23
PUMP ASSY, HYD	9999421435	707
	9999431343	17
PUMP, FUEL	9999429996	707
PUMP, HYD	9999431342	19
RADIATOR ASSY	9999431330	695
RADIO	9999430151	639
RAIL	9999431336	729
	9999432164	458
	9999432167	295
RECEIVER	9999432174	291
REDUCT ASSY, PROPEL	9999431872	715
REDUCTION ASSY, SWING	9999408079	341
REDUCTION ASSY, WINCH	9999431698	449
REEL ASSY, CABLE	9999423807	589
REEL, CABLE	9999428464	579
RELAY	9999406311	543
	9999421445	505
	9999421446	541
	9999431163	511, 543
RELAY BOX ASSY	9999430912	539
	9999431615	541
	9999431616	511
RELAY, BATTERY	9999406312	543
REPAIR KIT	9999430656	25
	9999430758	653
	9999430759	645, 649
	9999432131	365
	9999432132	365
	9999432133	365
RETAINER	9999423540	346
	9999429434	439, 443

From - PLUG

To - RETAINER

Manitowoc

Alphabetical Index	Appendix A		
Description	Part	Page	
RING	9999402729	727	
	9999419906	281	
	9999422193	725	
	9999422565	119	
	9999430137	713	
RING, CENTERING	9053100025	863	
	9053100096	861, 877	
RING, E-CLIP	90015669	863	
RING, RETAINER E-CLIP	9086100557	865, 869	
RING, RETAINING	9999424627	791	
	9999424628	281	
	9999424632	345	
	9999430675	25	
RIVET	9999423849	685	
	9999432153	157, 217	
ROD	9999406317	479, 483, 487	
	9999408352	451	
	9999422891	473	
	9999423812	613, 617	
	9999423813	613	
ROD END	9999400157	801, 817	
	9999400159	803, 821	
	9999408773	479, 483, 487	
ROD, PUSH	9999408595	787, 789	
ROLLER	9999406156	805	
	9999407444	823	
	9999427318	727	
	9999430102	725	
ROLLER ASSY	9999429921	723	
ROLLER ASSY, GUIDE	9999401069	799	
	9999408210	819	
ROM	9999430026	661	
RUBBER	9999408789	819	
	9999422432	199, 251, 539	
	9999424244	51, 121, 221	
	9999431080	669	
	9999431143	221	
	9999431144	221	
	9999431164	195, 205, 699	
	9999431176	494, 623	
	9999431177	494, 623	
	9999431280	539	
	9999431312	453	

From - RING

To - RUBBER

Manitowoc

Alphabetical Index	Appendix A		
Description	Part	Page	
RUBBER	9999431313	453	
	9999431314	453	
	9999431315	453	
	9999431316	453	
	9999431317	453	
	9999431318	453	
	9999431319	453	
	9999431320	453	
	9999431473	149, 177	
	9999431534	149, 177	
	9999431573	541	
	9999431610	212	
	9999431611	211	
	9999431714	360	
	9999431882	97	
	9999432002	199	
	9999432003	199	
	9999432004	221	
	9999432083	211	
	9999432103	221	
	9999432104	221	
	9999432105	221	
	9999432106	221	
	9999432107	221	
	9999432108	221	
	9999432109	553	
	9999432110	193	
	9999432111	193	
	9999432146	286	
	RUBBER, MTG	9999431081	669
	SCR, TAPPING	9999432239	286
	SCREW,	9086100805	859, 873
9086100994		865, 869	
9999422901		473	
SEAL	9999406231	9, 523	
	9999431077	133	
	9999431078	133	
	9999431142	419	
SEAL, FLOATING	9999424326	725	
	9999424328	727	
	9999424440	719	
SEAT	9999432159	295	
SEAT ASSY	9999432154	295	
	9999432155	295	
SEMS-BOLT	9999419654	513	

From - RUBBER

To - SEMS-BOLT

Manitowoc

Alphabetical Index	Appendix A	
Description	Part	Page
SEMS-BOLT	9999419663	791
	9999419664	759
	9999419667	91, 101, 387, 511
	9999419668	360, 363
	9999419669	413, 415, 711, 821
	9999424506	457, 579
	9999424508	323
	9999424509	659
	9999424510	3, 47, 229, 279, 286, 453, 479, 483, 487, 493, 497, 501, 517, 523, 539, 623, 627, 643, 711
	9999424511	5, 47, 67, 89, 121, 241, 439, 443, 547, 689, 693, 699
	9999424513	105, 279, 281, 385
	9999424514	98
	9999424515	51, 87, 395
	9999424516	209
	9999424518	360
	9999424519	103
	9999424520	286
	9999424521	7, 129, 493, 507, 539, 623, 749
	9999424522	87, 129, 387, 409, 453, 511, 517, 711
	9999424523	507, 525
	9999424525	297, 575
	9999424526	51, 87, 89, 101, 127, 141, 146, 150, 178, 190, 209, 217, 229, 233, 235, 237, 263, 360, 387, 465, 539, 607, 689, 693, 711
	9999424528	133, 415, 693, 759, 807
	9999424532	511
	9999424533	457, 461, 479, 483, 487, 565, 575, 641, 855
	9999424535	138, 286
	9999424537	207, 286, 531, 639, 641, 659, 663
	9999424538	531, 557, 559
	9999424540	511, 541, 543
	9999424541	129, 511
	9999425341	645, 649, 653
	9999425342	645, 649, 653
	9999426467	505
	9999430158	138
	9999432057	51, 245
	9999432058	47, 241, 413

From - SEMS-BOLT

To - SEMS-BOLT

Manitowoc

Alphabetical Index	Appendix A	
Description	Part	Page
SEMS-BOLT	9999432059	57, 59, 61, 249
	9999432192	693
	9999432193	415
	9999432194	190
	9999432195	138
	9999432196	297
	9999432197	527
	9999432198	543
	9999432199	547
	9999432200	457, 467, 619
	9999432201	467
	9999432202	665
	9999432203	541
	9999432204	505
	9999432205	505
	9999432206	286, 325
	9999432207	291
	9999432208	291
	9999432209	217, 286, 637
	9999432210	145, 150, 153, 157, 161, 163, 167, 178, 181, 183, 211, 286, 291, 299, 319, 453, 494, 647, 651, 699
	9999432211	185, 190, 199, 286, 575, 623
	9999432212	193, 681
	9999432213	681
9999432214	729	
9999432215	87, 693	
SENSOR	9999421451	693
	9999431869	563
	9999432093	523
	9999432094	523
SENSOR, ANGLE	9999431870	605
SENSOR, PRESS	9999426022	101, 263, 389
	9999430134	41, 59, 61, 81, 249, 269, 401
	9999430139	81, 367
SENSOR, TEMP	9999432172	359
SET SCREW	9086100249	873
SETSCREW	9999424814	737
SHACKLE	9999407298	597, 601
	9999422931	597, 601
	9999431095	553, 555
SHAFT	9999423541	345
	9999425420	281

From - SEMS-BOLT

To - SHAFT

Manitowoc

Alphabetical Index	Appendix A	
Description	Part	Page
SHAFT	9999430711	727
	9999431742	685
SHEAVE	9999400500	825
	9999400507	821
	9999400509	825, 827
	9999408258	817
	9999408295	803
	9999421517	761
	9999421533	801
	9999421535	791
	9999431977	759
	SHEAVE ASSEMBLY - IDLER	9999423744
SHEAVE ASSY, B.POINT	9999431015	799
SHEAVE ASSY, J.POINT	9999408288	819
SHEAVE ASSY, STRUT	9999430060	825
SHEAVE FRAME	9999400535	825
	9999400536	825
SHEAVE WHEEL	9086101382	873
	9086101385	865
SHEET	9999423278	703
	9999425213	311
	9999431160	311
	9999431161	311
SHEET, RUBBER	9999431097	221
	9999431098	221
SHIM	9999429438	439, 443
	9999429439	439, 443
	9999429440	439, 443
	9999429441	439, 443
	9999431181	741
	9999431182	741
	9999431183	741
	9999431184	741
	9999431723	686
	9999431724	686
	9999431725	686
	9999431902	189
	9999431903	189
	9999431904	189
	9999432115	749
	9999432116	749
	9999432117	749
	9999432118	749
	9999432119	749

From - SHAFT

To - SHIM

Manitowoc

Alphabetical Index	Appendix A		
Description	Part	Page	
SHIM,	9999407356	721	
	9999407357	721	
	9999407358	721	
	9999407359	721	
	9999407395	493, 627	
	9999407396	493, 627	
	9999407397	493, 627	
	9999407691	787	
SHIM, 0.1	9999403399	346	
SHIM, 0.2	9999403400	346	
	9999423542	345	
SHIM, 0.3	9999403401	346	
SHIM, 0.5	9999423543	345	
SHIM, 1.1	9999403489	345	
SHIM, 1.2	9999422302	345	
SHIM, 1.3	9999422303	346	
SHIM, 1.4	9999422304	346	
SHIM, 1.5	9999422305	346	
SHIM, 1.6	9999422306	346	
SHIM, 1.7	9999422307	346	
SHIM, 1.8	9999422308	346	
SHOE	9999408203	731	
SHOE ASSY	9999408204	731	
SLEEVE	9086220274	857, 879	
	9999429437	439, 443	
SLEEVE, NYLON	9822220010	857, 879	
SLIP RING	9999432019	421	
SOCKET	9086100292	861, 870	
	9999406101	767, 771, 775, 779, 785	
SOCKET ASSY	9999401111	765, 769, 773, 777, 783	
SOCKET, ROPE	9999423797	781	
	SPACER	9053100047	861, 877
		9053100106	863
		9086100538	859
		9999400049	493, 627
		9999400051	493, 627
		9999402526	599, 603
		9999402596	346
		9999402669	599, 603
		9999406174	493, 627

From - SHIM,

To - SPACER

Manitowoc

Alphabetical Index	Appendix A	
Description	Part	Page
SPACER	9999406671	231
	9999421167	803
	9999422134	791
	9999422135	761
	9999424995	825, 827
	9999424996	817
	9999424997	821
	9999425000	803
	9999425001	803
	9999431082	759
	9999431083	759
	9999431084	759
	9999431820	467
	9999431821	619
	9999432357	761
	SPACER, PIPE	9539220030
SPEAKER	9999421256	659
	9999429501	639
SPREADER ASSY, LOW	9999431016	759
SPREADER ASSY, UPP	9999423754	787
SPREADER GUIDE ASSY	9999423763	787
SPREADER, UPP	9999423755	791
SPRG	9999432162	295
SPRING	9086100555	865, 869
	9999400023	494, 627
	9999402249	599, 603
	9999407394	479, 483, 487
	9999407786	231
	9999422895	473
	9999423578	457
	9999424078	451, 613, 617
	9999428304	365
	SPRING, LATCH	90011777
SPROCKET	9999400261	719
	9999400262	719
STAND	9999431688	681
	9999431743	685
STAY	9999431191	693
	9999431352	699
	9999431481	149, 177
	9999431863	183
	9999431864	167
	9999431865	167

From - SPACER

To - STAY

Manitowoc

Alphabetical Index	Appendix A		
Description	Part	Page	
STAY ASSY	9999431860	183	
STEM	9999431956	419	
STEP	9999431774	193	
STOPPER	9999407159	157	
STRAINER	9999405876	359	
	9999430003	707	
STRAINER, SUCTION	9999425406	359	
STRIP, WEATHER	9999432068	199	
	9999432134	178	
	9999432151	145	
	9999432180	150, 153, 178	
	9999432181	145, 150, 178	
STRUT ASSY, JIB	9999407855	819	
STRUT, JIB	9999407856	825	
STUD BOLT	9999431741	686	
SUPPORT	9999401912	719, 721	
	9999431321	185	
	9999431729	685	
	9999431730	685	
	9999431732	685	
	9999431733	685	
	9999431954	415	
	9999432163	295	
	SWING REDUCT INSTAL	9999421465	335
	SWITCH	9999405737	571
		9999407256	509
9999421469		571	
9999421492		571	
9999428082		531	
9999430027		661	
9999430089		475, 633	
9999430148		567	
9999431833		535	
9999431834		657	
9999431835		623	
9999431836		531	
9999431837		531	
9999431838		531	
9999431839		531	
9999431840	531		
9999431841	531		
9999431842	531		
9999431843	532		

From - STAY ASSY

To - SWITCH

Manitowoc

Alphabetical Index	Appendix A	
Description	Part	Page
SWITCH	9999431844	532
	9999431845	532
	9999431846	565
	9999431847	565
	9999431848	565
	9999431849	557
	9999431850	557
	9999431851	531
	9999431852	531
	9999431853	313
	9999431854	319
	9999431855	565
	9999431856	565
	9999431857	541
	SWITCH ASSEMBLY - LIMIT	9999423589
SWITCH ASSY	9999408120	475
	9999423565	457, 633
	9999431788	531
	9999431789	531
	9999431790	531, 559
	9999431791	532
	9999431792	531
	9999431793	557
	9999431794	565
	9999431796	541
	9999431799	571
	9999432033	531
SWITCH ASSY LIMIT	9999429957	597, 601
SWITCH ASSY, PANEL	9999431800	285
SWITCH INSTAL	9999431795	531
	9999431797	531
	9999431798	532
SWITCH INSTAL, LIMIT	9999430973	523
SWITCH, KEY	9999426447	567
	9999427219	567
SWITCH, LIMIT	9999421468	525
	9999430090	599, 603
SWITCH, PRESSURE	90014052	377
	9999408131	494, 628
	9999421470	9
SWITCH, THERMO	9999429747	71, 75
SWIVEL	9086220493	877
SWIVEL (AS-5)	9539220033	857, 879

From - SWITCH

To - SWIVEL (AS-5)

Manitowoc

Alphabetical Index	Appendix A	
Description	Part	Page
TAGLINE ASSY	9999425419	279
TANK	9999422415	693
TANK ASSY, FUEL	9999431458	705
TANK ASSY, HYD	9999430941	359
TANK ASSY, WATER	9999422413	693
TANK, OIL, HYD	9999431871	363
TANK, WASHER, WINDOW	9999407353	129
TEE	9999405178	413
	9999405225	279
	9999405235	415
	9999407872	75
	9999408709	251
	9999422537	111, 117, 389, 409
	9999422538	107
	9999422540	41, 59, 61, 249, 279
	9999422543	41, 59, 83, 381
	9999424071	81
	9999424073	81
	9999425236	55
	9999425243	369
	9999427932	117, 127
	9999428306	279, 403
	9999430611	107, 255, 403
	9999431130	397
	9999431135	81
	9999431138	267, 399
	9999432140	367
TERMINAL	9999405756	609, 661
	9999406214	9
	9999407223	473
	9999425294	523
	9999431148	543
TRIM	9999404115	494
	9999404122	199, 279
	9999406576	511
	9999431099	505
	9999431100	190
	9999431101	453
	9999431102	453
	9999431103	539
	9999431104	523
	9999431105	251
	9999431106	395
	9999431107	313, 319, 643, 651

From - TAGLINE ASSY

To - TRIM

Manitowoc

Alphabetical Index	Appendix A	
Description	Part	Page
TRIM	9999431108	199
	9999431109	101, 190
	9999431110	221
	9999431111	190
	9999431112	395
	9999431113	190
	9999431114	251
	9999431115	190
	9999431116	505
	9999431167	193
	9999431168	193
	9999431169	193
	9999431178	511
	9999431209	137
	9999431210	137
	9999431211	137
	9999431212	137
	9999431213	137
	9999431214	137
	9999431215	137
	9999431216	137
	9999431217	137
	9999431218	137
	9999431219	137
	9999431220	137
	9999431221	137
	9999431222	137
	9999431223	137
	9999431224	137
	9999431225	137
	9999431226	137
	9999431227	137
	9999431228	137
	9999431229	137
	9999431230	137
	9999431231	137
	9999431232	137
	9999431233	137
	9999431234	137
	9999431235	137
	9999431236	137
	9999431237	137
	9999431238	137
9999431239	137	
9999431240	137	
9999431241	137	
9999431242	138	
TUBE	9999403167	829

From - TRIM

To - TUBE

Manitowoc

Alphabetical Index	Appendix A	
Description	Part	Page
TUBE	9999422255	829
	9999422887	341
	9999423463	39
	9999423464	39, 67
	9999431266	669
	9999431268	669
	9999431269	669
	9999431288	51
	9999431337	231
	9999431338	231
	9999431350	699
	9999431351	699
	9999431359	689
	9999431361	689
	9999431414	63
	9999431680	39
	9999431681	39
	9999431709	89
	9999431710	89
	9999431713	67
	9999431728	686
	9999431744	87
	9999431745	87
	9999431746	87
	9999431747	87
	9999431751	693
	9999431754	87
	9999431809	241
	9999431817	458
	9999431950	415
	9999431951	415
	9999431952	415
	9999431953	415
	9999432095	523
TUBE LINE	9999406888	707
	9999422651	241
	9999431287	51
	9999431289	55
	9999431290	55
	9999431291	55
	9999431292	55
	9999431431	291
	9999431432	291
	9999431679	39
	9999431699	45
	9999431700	45
	9999431715	359

From - TUBE

To - TUBE LINE

Manitowoc

Alphabetical Index	Appendix A	
Description	Part	Page
TUBE LINE	9999431810	241
TUMBLER	9999407289	717
U-BOLT	9999427720	579, 589
	9999427722	797
U-NUT	9999419753	579
	9999419754	579, 589
	9999419755	313, 319, 579, 585, 643, 651, 797
	9999419756	807, 823
	9999419757	801, 805
	9999419758	793
	9999419760	821
	9999424575	817
UPPERROLLER ASSY	9999427314	723
VALVE	9999425250	173, 315, 321
VALVE ASSEMBLY - SOLENOID 12 VOLT	9999406980	279
VALVE ASSY	9999407988	71
	9999407989	263
	9999408020	494, 628
	9999408066	497, 501
	9999423584	377
	9999431021	381
VALVE ASSY, CHECK	9999421439	59, 61, 249
	9999431174	279
VALVE ASSY, CNTRL	9999431692	423
	9999431693	349
	9999431694	351
	9999431695	243
	9999431697	241
VALVE ASSY, CONTROL	9999407105	353
	9999408577	355
	9999428298	407
VALVE ASSY, HYD	9999431463	47
VALVE ASSY, SEQUENCE	9999429746	75
VALVE ASSY, SOLENOID	9999408095	263
	9999421488	389
	9999431756	367
	9999432101	397
	9999432102	391
	9999432138	103
	9999432168	105, 385
VALVE BLOCK	9999431462	399

From - TUBE LINE

To - VALVE BLOCK

Manitowoc

Alphabetical Index	Appendix A	
Description	Part	Page
VALVE BLOCK ASSY	9999425972	369
	9999431461	401
VALVE INSTAL	9999431024	395
	9999431025	265
	9999431026	395
	9999431028	395
	9999431029	265
	9999431030	387
	9999431032	387
	9999431038	359
	VALVE INSTAL 1-SECTION VALVE	9999431035
VALVE INSTAL 2-SECTION VALVE	9999431034	97
VALVE INSTAL 3-SECTION / 3RD	9999431031	265
VALVE INSTAL 8-SECTION / 3RD	9999431027	265
VALVE INSTAL, RELIEF	9999431039	359
VALVE, CHECK	9999404534	359
	9999425224	403
	9999428545	365
VALVE, CNTRL	9999431689	411
VALVE, CONTROL, FLOW	9999427935	279
VALVE, PILOT	9999421462	9
	9999431690	619
	9999431691	9
	9999431696	457
	VALVE, SHUTTLE	9999404707
VALVE, SOLENOID	9999431156	383
	9999432169	269
	9999432170	271, 273
VALVE, STOP	9999432130	711
V-BELT	9999432147	291
WASHER	9999402525	599, 603
	9999424847	737
	9999424848	605
WASHER,	9053100038	863
	9086100804	859, 873
	9086100993	865, 869
	9999402682	599, 603
	9999402684	458
	9999402760	801
	9999402761	801
	9999402767	767, 771, 775, 779, 785
	9999402774	360, 693, 801, 823

From - VALVE BLOCK ASSY

To - WASHER,

Manitowoc

Alphabetical Index	Appendix A	
Description	Part	Page
WASHER,	9999402775	360
	9999406165	825, 827
	9999406168	817
	9999406169	761, 791
	9999406172	803, 821
	9999408244	759
	9999408739	749
	9999420402	68, 146, 149, 177, 183, 699
	9999420407	781
	9999422194	5, 87, 199, 203, 209, 217, 227, 233, 237, 286, 395, 439, 443, 451, 549, 613, 617, 643, 670, 689, 693, 699, 711
	9999422198	195, 205, 543, 707
	9999423716	781
	9999424831	439, 443, 669
	9999424832	669
	9999424833	669
	9999424834	715
	9999424837	3, 193, 205, 425, 427
	9999424838	33, 51, 190, 241
	9999424839	453, 750
	9999424840	190, 193, 199, 693
	9999424842	563
	9999424849	525
	9999424853	479, 483, 487, 505, 513, 539, 543, 571, 579, 589, 599, 603
	9999424854	291, 458, 513, 523, 579, 589, 597
	9999424855	5, 51, 87, 89, 91, 97, 101, 263, 286, 291, 313, 319, 360, 363, 387, 395, 451, 453, 479, 483, 487, 494, 507, 511, 517, 523, 539, 547, 561, 579, 585, 613, 617, 628, 643, 647, 651, 669, 689, 693, 699, 711, 749, 797
	9999424856	68, 77, 79, 409, 467, 479, 483, 487, 494, 593, 597, 601, 619, 628, 647, 711
	9999424858	721, 801, 805
	9999424859	195, 205
	9999424860	494, 628, 803, 817, 825, 827
	9999425346	645, 649, 653
	9999428821	669
WASHER, FLAT	9539220021	857, 879
WASHER, LOCK	9086100162	859, 866, 870, 873

From - WASHER,

To - WASHER, LOCK

Manitowoc

Alphabetical Index	Appendix A	
Description	Part	Page
WASHER, THRUST	9086100063	865, 873
	9086100076	859, 869
	9999407567	451, 613, 617
WEDGE	9086100293	870
WEDGE (FOR .88 WIRE ROPE)	A14715	873
WEDGE, ROPE	9999408784	589
	9999408785	579
	9999422631	333
	9999422632	767, 771, 775, 779, 785
	9999422633	781
WEDGE-SOCKET	9539220031	879
	9539220034	857
WEIGHT	9999403578	597
	9999403579	597
	9999403588	601
	9999403591	797
	9999431989	745
WEIGHT, CHEEK	9086100461	859, 866, 870, 873
WHEEL, SHEAVE	9086101295	859, 869
WINCH ASSY, B.HOIST	9999431195	329
WIRE ROPE	9999404295	601
	9999404296	601
	9999422454	597
	9999425660	781
	9999426077	781
	9999428799	769, 777
	9999429188	765
	9999429189	773
	9999429504	765, 773, 783
	9999429981	777
	9999429982	769
	9999431076	783
	WIRE, SAFETY	9086100933
WSHR	9999430004	173, 315, 321
	9999430082	199
	9999430147	567
	9999430149	567
	9999430674	25
	9999431260	669
	9999432240	753
YOKE	9999400478	465

From - WASHER, THRUST

To - YOKE

Manitowoc

Numerical Index	Appendix B	
Part	Description	Page
2018480	NAMEPLATE, RATING & I.D.	863
7440030000	FITTING, STRAIGHT GREASE	859, 863, 869, 873
7576001728	KIT, SAFETY LATCH	879
7785160801	SET SCREW	859, 865, 869, 873
90001178	LABEL	579
90011777	SPRING, LATCH	863
90014052	SWITCH, PRESSURE	377
90015669	RING, E-CLIP	863
90015670	PIN, GROOVE	863
9053100003	PIN, COTTER	863
9053100025	RING, CENTERING	863
9053100038	WASHER,	863
9053100042	HOOK	861, 877
9053100043	PIN	861, 877
9053100047	SPACER	861, 877
9053100051	PLATE,NAME I.D.	877
9053100095	PLATE, BAR	861, 877
9053100096	RING, CENTERING	861, 877
9053100101	FITTING, 90 DEGREE	861, 877
9053100105	PLATE, BAR	863
9053100106	SPACER	863
9053100107	PIN	863
9053100109	HOOK	863
9053100110	KIT, LATCH	863
9053100118	PIN,LATCH	861, 877
9053100119	FITTING,GREASE	861, 877
9053100120	LINK,CENTER	863
9053100122	LINK, SWIVEL ASSY.	861
9053100124	PIN, CENTER	863
9086100009	END, DEAD	859, 865, 869, 873
9086100059	GUIDE, REEVING	865, 869
9086100061	NUT	859, 865, 869, 873
9086100062	BEARING, ROLLER	865, 873
9086100063	WASHER, THRUST	865, 873
9086100068	NUT	865, 869
9086100070	BEARING, THRUST	869

From - 2018480

To - 9086100070

Manitowoc

Numerical Index		Appendix B
Part	Description	Page
9086100071	NUT	859, 869
9086100074	NUT	865, 869, 873
9086100076	WASHER, THRUST	859, 869
9086100077	BEARING, ROLLER	859, 869
9086100088	BEARING	859, 873
9086100137	PLATE, CAUTION	859, 865, 869
9086100144	NUT	863
9086100151	FITTING	859, 865, 869, 873
9086100161	CAP SCREW,	859, 873
9086100162	WASHER, LOCK	859, 866, 870, 873
9086100163	GUIDE	859
9086100164	PIN, SPIRAL	859
9086100166	PLATE, CENTER	859
9086100167	PLATE, SIDE	859
9086100168	PIN	859
9086100249	SET SCREW	873
9086100250	NUT	873
9086100258	BEARING, THRUST	865
9086100269	PIN, ROLL	859, 865, 869, 873
9086100292	SOCKET	861, 870
9086100293	WEDGE	870
9086100294	PIN, COTTER	861, 870, 874, 877
9086100300	NUT	861, 877
9086100327	DRIVE SCREW	859, 863, 866, 869, 873, 877
9086100405	COVER	870
9086100422	PLATE, SIDE	869
9086100426	CAP SCREW	870
9086100457	COVER, BEARING	866
9086100461	WEIGHT, CHEEK	859, 866, 870, 873
9086100504	PIN, CENTER	865, 873
9086100506	PIN, STRESS	873
9086100507	HOUSING	873
9086100534	BOLT, TIE	859
9086100538	SPACER	859
9086100539	HOUSING, HOOK PIVOT	859
9086100549	PLATE, CENTER	865

From - 9086100071

To - 9086100549

Manitowoc

Numerical Index		Appendix B
Part	Description	Page
9086100550	PLATE, SIDE	865
9086100551	PIN, STRESS	865
9086100553	HOUSING, HOOK PIVOT	865
9086100555	SPRING	865, 869
9086100556	PIN, GROOVED	865, 869
9086100557	RING, RETAINER E-CLIP	865, 869
9086100558	PIN, QUICK RELEASE	865, 869
9086100713	LATCH, KIT	865, 869
9086100726	KIT, LATCH	859, 873
9086100781	BOLT, TIE	859
9086100804	WASHER,	859, 873
9086100805	SCREW,	859, 873
9086100822	KIT, LATCH	861, 877
9086100933	WIRE, SAFETY	859, 865, 869, 873
9086100976	CAP SCREW,	873
9086100992	HOOK AND NUT ASSEMBLY	865
9086100993	WASHER,	865, 869
9086100994	SCREW,	865, 869
9086101176	HOOK & NUT ASSY.	859, 873
9086101215	HOOK & NUT ASSY.	869
9086101217	PLATE, NAME / RATING	859, 865, 869
9086101295	WHEEL, SHEAVE	859, 869
9086101379	GUIDE ASSY.	873
9086101380	PLATE, CENTER	873
9086101381	PLATE, SIDE	873
9086101382	SHEAVE WHEEL	873
9086101383	PLATE, NAME / RATING	873
9086101384	PLATE, CAUTION	873
9086101385	SHEAVE WHEEL	865
9086101386	BOLT, TIE	865
9086101387	CAPSCREW	866
9086101388	PLATE, SIDE WEIGHT	866
9086101401	HOUSING, TRUNNION	869
9086101402	PIN, CENTER	869
9086101403	BOLT, TIE	869
9086101404	PIN	869

From - 9086100550

To - 9086101404

Manitowoc

Numerical Index		Appendix B
Part	Description	Page
9086101405	PLATE	869
9086220274	SLEEVE	857, 879
9086220493	SWIVEL	877
9539220001	HOOK & EYE	857
9539220002	BOLT	857, 879
9539220021	WASHER, FLAT	857, 879
9539220026	PIN, COTTER	857, 879
9539220027	HOOK & EYE	879
9539220028	BOLT ASSEMBLY	857, 879
9539220029	PLATE, ADAPTER	857, 879
9539220030	SPACER, PIPE	857, 879
9539220031	WEDGE-SOCKET	879
9539220032	KIT, LATCH	857
9539220033	SWIVEL (AS-5)	857, 879
9539220034	WEDGE-SOCKET	857
9585100044	PIN, QUICK RELEASE	863
9822220010	SLEEVE, NYLON	857, 879
9826220002	PIN	861, 870, 874
9999400023	SPRING	494, 627
9999400049	SPACER	493, 627
9999400051	SPACER	493, 627
9999400087	PIN	493, 627
9999400109	PIN	829
9999400116	PIN	825
9999400117	PIN	825
9999400133	PIN	825
9999400157	ROD END	801, 817
9999400159	ROD END	803, 821
9999400165	PIN, SPLIT	741, 791
9999400166	PIN	787
9999400171	PIN	829, 831, 833
9999400252	PINION	345
9999400261	SPROCKET	719
9999400262	SPROCKET	719
9999400269	BUSHING	725
9999400276	BUSHING	719

From - 9086101405

To - 9999400276

Manitowoc

Numerical Index		Appendix B
Part	Description	Page
9999400279	BUSHING	613, 617
9999400290	BUSHING	493, 627
9999400296	BUSHING	451
9999400418	PEDAL	305, 307
9999400427	CABLE, CNTRL	613
9999400437	LINK	493, 627
9999400450	LINK	493, 627
9999400463	PAWL	493, 627
9999400468	GRIP	461
9999400472	GRIP	457
9999400478	YOKE	465
9999400500	SHEAVE	825
9999400507	SHEAVE	821
9999400509	SHEAVE	825, 827
9999400535	SHEAVE FRAME	825
9999400536	SHEAVE FRAME	825
9999400586	CLAMP	281
9999401069	ROLLER ASSY, GUIDE	799
9999401111	SOCKET ASSY	765, 769, 773, 777, 783
9999401378	JIB, INSERT	833
9999401775	COVER	599, 603
9999401800	COVER	301, 303
9999401806	COVER	721
9999401808	PLATE	669
9999401830	CAP	517, 539
9999401831	CAP	513, 539
9999401832	CAP	517, 539
9999401912	SUPPORT	719, 721
9999401915	COLLAR	725
9999401916	COLLAR	725
9999402036	BRACKET	797
9999402047	BRACKET	805
9999402177	BRACKET	805
9999402249	SPRING	599, 603
9999402264	PLATE	797
9999402265	PLATE	797

From - 9999400279

To - 9999402265

Manitowoc

Numerical Index		Appendix B
Part	Description	Page
9999402267	COLLAR	727
9999402268	COLLAR	727
9999402525	WASHER	599, 603
9999402526	SPACER	599, 603
9999402595	PLATE	345
9999402596	SPACER	346
9999402657	PLATE	494, 628
9999402662	PLATE	451, 613, 617
9999402669	SPACER	599, 603
9999402682	WASHER,	599, 603
9999402684	WASHER,	458
9999402729	RING	727
9999402756	PLATE, KEEPER	761, 791, 825, 827
9999402760	WASHER,	801
9999402761	WASHER,	801
9999402767	WASHER,	767, 771, 775, 779, 785
9999402774	WASHER,	360, 693, 801, 823
9999402775	WASHER,	360
9999402814	OIL SEAL	685
9999402839	PIN	819
9999402878	PIN	731
9999402881	PIN	719
9999402888	PIN	493, 627
9999402891	PIN	493, 627
9999402920	PIN, LOCK	739, 743, 793
9999402966	PIN	345
9999402982	PIN	787
9999402996	PIN	817
9999403020	PIN	493, 627
9999403040	PIN	793
9999403167	TUBE	829
9999403171	BOLT	217
9999403193	GROMMET	693
9999403219	DIPSTICK	341
9999403319	BOLT	767, 771, 775, 779, 785
9999403328	CAPSCREW	281

From - 9999402267

To - 9999403328

Manitowoc

Numerical Index		Appendix B
Part	Description	Page
9999403376	BOLT, EYE	494, 627
9999403399	SHIM, 0.1	346
9999403400	SHIM, 0.2	346
9999403401	SHIM, 0.3	346
9999403489	SHIM, 1.1	345
9999403508	ANTI-SLIP	311
9999403557	NUT	599, 603
9999403578	WEIGHT	597
9999403579	WEIGHT	597
9999403588	WEIGHT	601
9999403591	WEIGHT	797
9999403649	BEARING, SPHERICAL	345
9999403652	BEARING	805
9999404115	TRIM	494
9999404122	TRIM	199, 279
9999404177	HOOK	733
9999404248	GUY CABLE	845
9999404250	GUY CABLE	851
9999404252	GUY CABLE	849
9999404255	GUY CABLE	847
9999404257	GUY CABLE	843
9999404295	WIRE ROPE	601
9999404296	WIRE ROPE	601
9999404506	CLIP	207
9999404534	VALVE, CHECK	359
9999404707	VALVE, SHUTTLE	497, 501
9999405127	HOSE	39
9999405178	TEE	413
9999405201	CONNECTOR	409, 749
9999405225	TEE	279
9999405235	TEE	415
9999405241	CONNECTOR	9
9999405278	CONNECTOR	279, 369
9999405280	CONNECTOR	279
9999405284	ELBOW, 90	9
9999405289	CONNECTOR	103

From - 9999403376

To - 9999405289

Manitowoc

Numerical Index		Appendix B
Part	Description	Page
9999405327	O-RING	681
9999405345	FILTER, INLINE	115
9999405346	BODY	119
9999405487	EXTINGUISHER, FIRE	855
9999405737	SWITCH	571
9999405756	TERMINAL	609, 661
9999405771	CAP	541, 571
9999405876	STRAINER	359
9999405896	COVER	551
9999405897	COVER	551
9999405954	BEARING	345
9999405955	BEARING, ROLLER	345
9999406008	CLAMP	765, 769, 773, 777, 783
9999406101	SOCKET	767, 771, 775, 779, 785
9999406156	ROLLER	805
9999406165	WASHER,	825, 827
9999406168	WASHER,	817
9999406169	WASHER,	761, 791
9999406172	WASHER,	803, 821
9999406174	SPACER	493, 627
9999406178	HOOK	591
9999406179	HOOK	581, 587
9999406214	TERMINAL	9
9999406224	CONNECTOR	9, 523
9999406231	SEAL	9, 523
9999406232	HOLDER	9, 523
9999406235	FAN	325
9999406236	LIGHTER, CIGARETTE	457
9999406254	CLIP	643, 651
9999406256	CLIP	313, 319, 763
9999406258	CLIP	513
9999406261	CLIP	711, 763
9999406262	CLIP	517, 711
9999406263	CLIP	589
9999406266	CLIP	579
9999406272	CLIP	313, 319, 458, 507, 509, 541, 579, 589, 599, 603, 607, 633, 651, 657, 659, 750

From - 9999405327

To - 9999406272

Manitowoc

Numerical Index		Appendix B
Part	Description	Page
9999406273	CLIP	505, 539, 553, 561, 665
9999406274	CLIP	97, 109, 113, 133, 257, 263, 265, 279, 313, 319, 395, 458, 471, 475, 479, 483, 487, 505, 523, 561, 579, 633, 643, 647, 651, 659, 665
9999406275	CLIP	33, 89, 97, 109, 113, 245, 257, 292, 387, 505, 507, 517, 523, 539, 561, 579, 589
9999406277	CLIP	513, 517, 539
9999406278	CLIP	89, 292, 517
9999406279	CLIP	458, 561
9999406311	RELAY	543
9999406312	RELAY, BATTERY	543
9999406315	CONNECTOR	15
9999406317	ROD	479, 483, 487
9999406339	CAP	643, 647, 651
9999406343	GAUGE, LEVEL	323
9999406402	CLAMP	507
9999406527	PIN	741
9999406548	PLUG	55, 73, 75, 81, 117, 241, 253, 369, 409
9999406555	CLIP	292, 517
9999406576	TRIM	511
9999406623	PLATE	807
9999406669	PIN	231, 791
9999406671	SPACER	231
9999406802	MOTOR, HYD.	339
9999406839	GRIP	457, 635
9999406881	BAND	285
9999406882	BAND	285
9999406887	HOLDER	707
9999406888	TUBE LINE	707
9999406980	VALVE ASSEMBLY - SOLENOID 12 VOL	279
9999407105	VALVE ASSY, CONTROL	353
9999407118	CONNECTOR	681

From - 9999406273

To - 9999407118

Manitowoc

Numerical Index		Appendix B
Part	Description	Page
9999407128	CONNECTOR	341
9999407129	COCK, DRAIN	341
9999407139	O-RING	681
9999407159	STOPPER	157
9999407219	GRIP	469, 619
9999407221	GRIP ASSY	471
9999407223	TERMINAL	473
9999407224	CONNECTOR	473
9999407256	SWITCH	509
9999407289	TUMBLER	717
9999407290	CAPSCREW	715
9999407298	SHACKLE	597, 601
9999407300	MIRROR	167
9999407302	BLOCK	719
9999407303	PIN	719
9999407351	BUZZER	523
9999407353	TANK, WASHER, WINDOW	129
9999407356	SHIM,	721
9999407357	SHIM,	721
9999407358	SHIM,	721
9999407359	SHIM,	721
9999407365	CLIP	659
9999407366	BRACKET	659
9999407368	MICROPHONE	659
9999407391	LEVER	479, 483, 487
9999407393	LINK	479, 483, 487
9999407394	SPRING	479, 483, 487
9999407395	SHIM,	493, 627
9999407396	SHIM,	493, 627
9999407397	SHIM,	493, 627
9999407419	METER, HOUR	185
9999407444	ROLLER	823
9999407471	PLATE	759
9999407567	WASHER, THRUST	451, 613, 617
9999407688	PIN	787
9999407691	SHIM,	787

From - 9999407128

To - 9999407691

Manitowoc

Numerical Index		Appendix B
Part	Description	Page
9999407692	PIN	795
9999407764	BOOM, INSERT	809
9999407765	BOOM, INSERT	811
9999407766	BOOM, INSERT	813
9999407767	BOOM, INSERT	815
9999407786	SPRING	231
9999407834	JIB ASSY, UPP	819
9999407835	JIB, UPP	819
9999407837	JIB, INSERT	831
9999407855	STRUT ASSY, JIB	819
9999407856	STRUT, JIB	825
9999407872	TEE	75
9999407873	CONNECTOR	73, 253
9999407988	VALVE ASSY	71
9999407989	VALVE ASSY	263
9999408020	VALVE ASSY	494, 628
9999408066	VALVE ASSY	497, 501
9999408079	REDUCTION ASSY, SWING	341
9999408082	GEAR, SUN	345
9999408083	PINION	345
9999408084	PINION	345
9999408085	GEAR	345
9999408086	PIN	345
9999408087	PIN	345
9999408095	VALVE ASSY, SOLENOID	263
9999408120	SWITCH ASSY	475
9999408131	SWITCH, PRESSURE	494, 628
9999408162	BRACKET	375
9999408165	BRACKET	359
9999408186	BOLT	493, 627
9999408187	LINK	493, 627
9999408189	LEVER ASSY	493, 627
9999408190	PEDAL	494
9999408191	PEDAL	493, 627
9999408192	LINK	493, 627
9999408193	BRACKET	493

From - 9999407692

To - 9999408193

Manitowoc

Numerical Index		Appendix B
Part	Description	Page
9999408194	BRACKET	493, 623
9999408197	ANGLE METER INSTAL	795
9999408199	BRACKET	797
9999408200	BRACKET	797
9999408203	SHOE	731
9999408204	SHOE ASSY	731
9999408210	ROLLER ASSY, GUIDE	819
9999408228	PIN	853
9999408244	WASHER,	759
9999408258	SHEAVE	817
9999408262	PIN	817
9999408288	SHEAVE ASSY, J.POINT	819
9999408295	SHEAVE	803
9999408299	PIN	803
9999408306	GUARD, SHEAVE	801
9999408308	PIN	803
9999408314	PIN	791
9999408326	GUY CABLE	835
9999408349	PAWL	613, 617
9999408352	ROD	451
9999408466	OIL SEAL	439, 443
9999408577	VALVE ASSY, CONTROL	355
9999408595	ROD, PUSH	787, 789
9999408645	GUY CABLE	837
9999408647	GUY CABLE	839
9999408651	GUY CABLE	841
9999408664	GAUGE, LEVEL, OIL	359
9999408665	GAUGE	359
9999408697	CONNECTOR	117
9999408698	CONNECTOR	249
9999408699	CONNECTOR	399
9999408701	CONNECTOR	263, 628
9999408703	ELBOW, 90	59, 61
9999408706	ELBOW, 90	389, 494, 628
9999408709	TEE	251
9999408710	NUT	3, 229, 451, 513, 613, 617

From - 9999408194

To - 9999408710

Manitowoc

Numerical Index		Appendix B
Part	Description	Page
9999408711	NUT	68, 77, 79, 89, 93, 98, 113, 121, 217, 229, 233, 235, 237, 241, 263, 265, 285, 291, 360, 381, 385, 395, 409, 505, 507, 511, 517, 523, 527, 539, 541, 543, 553, 561, 563, 575, 593, 647, 711
9999408725	JOINT, BALL	479, 483, 487
9999408739	WASHER,	749
9999408766	CAPSCREW	525
9999408773	ROD END	479, 483, 487
9999408784	WEDGE, ROPE	589
9999408785	WEDGE, ROPE	579
9999408789	RUBBER	819
9999408793	HOSE ASSY, USE AS REQUIRED	341
9999408805	HOSE ASSY, USE AS REQUIRED	707
9999408820	CAPSCREW	335
9999408835	BEARING, BALL	801, 817
9999408836	BEARING, BALL	803
9999408839	BEARING	281
9999408842	BEARING	759
9999408844	BEARING, BALL	825, 827
9999408847	BEARING	761, 791
9999408882	COCK, DRAIN	705
9999408883	COCK, DRAIN	93
9999419237	CLAMP, HOSE	291
9999419252	CLIP	121, 265, 292, 385
9999419253	CLIP	291
9999419258	O-RING	327
9999419261	O-RING	429, 431, 433, 439, 443
9999419310	O-RING	39
9999419364	OIL SEAL	345
9999419432	FLANGE	360
9999419434	CLAMP, HALF	51, 245
9999419438	PLUG	803, 817
9999419445	CAP	686

From - 9999408711

To - 9999419445

Manitowoc

Numerical Index	Appendix B	
Part	Description	Page
9999419488	COUPLING	89
9999419573	ELBOW, 45	763
9999419654	SEMS-BOLT	513
9999419657	BOLT	707
9999419659	CAPSCREW	5, 209, 593
9999419663	SEMS-BOLT	791
9999419664	SEMS-BOLT	759
9999419665	BOLT	803
9999419667	SEMS-BOLT	91, 101, 387, 511
9999419668	SEMS-BOLT	360, 363
9999419669	SEMS-BOLT	413, 415, 711, 821
9999419671	NUT	731
9999419709	NUT	767, 771, 775, 779, 785
9999419753	U-NUT	579
9999419754	U-NUT	579, 589
9999419755	U-NUT	313, 319, 579, 585, 643, 651, 797
9999419756	U-NUT	807, 823
9999419757	U-NUT	801, 805
9999419758	U-NUT	793
9999419760	U-NUT	821
9999419776	NUT	597
9999419805	PIN, SPLIT	467, 479, 483, 487, 619
9999419813	PIN, SPLIT	761, 803, 817, 821, 825, 827
9999419814	PIN	5, 593
9999419815	PIN	781
9999419820	PIN, SPLIT	749, 759, 853
9999419821	PIN, SPLIT	733, 825
9999419823	PIN, SPLIT	759
9999419865	PIN	479, 483, 487
9999419867	PIN	493, 627
9999419870	PIN	597, 601
9999419872	PIN	461
9999419887	PIN	739
9999419906	RING	281
9999420127	BOLT	605

From - 9999419488

To - 9999420127

Manitowoc

Numerical Index		Appendix B
Part	Description	Page
9999420190	CAPSCREW	415
9999420220	CAPSCREW	327
9999420235	CAPSCREW	715, 721
9999420237	CAPSCREW	345
9999420256	CAPSCREW	563
9999420260	MACHINE SCREW	157, 511
9999420402	WASHER,	68, 146, 149, 177, 183, 699
9999420407	WASHER,	781
9999420569	HOSE	89
9999420570	HOSE ASSY	93
9999420592	HOSE	97
9999420607	HOSE ASSY	109
9999420608	HOSE ASSY	257
9999420836	HOSE	409
9999420848	HOSE	57
9999420939	HOSE	409
9999421167	SPACER	803
9999421210	ELBOW, 90	47, 55, 63, 75, 105, 241, 457, 497, 501, 619
9999421228	HORN	539
9999421244	LEVER ASSY, THROTTLE	457
9999421253	POTENTIOMETER	479, 483, 487
9999421256	SPEAKER	659
9999421341	NIPPLE, GREASE	15, 737, 749, 759, 761, 787, 791
9999421342	NIPPLE, GREASE	3, 229, 235, 439, 443, 801, 825, 827
9999421346	NUT	465, 479, 483, 487, 513, 589, 641
9999421348	NUT	51, 190, 241, 479, 483, 487, 493, 627, 797
9999421357	CAPSCR	681
9999421364	CAPSCREW	59, 360, 461
9999421368	CAPSCREW	209, 291, 360, 425, 427, 613, 617, 699
9999421370	CAPSCREW	87

From - 9999420190

To - 9999421370

Manitowoc

Numerical Index	Appendix B	
Part	Description	Page
9999421371	BOLT	67
9999421373	CAPSCREW	375
9999421374	CAPSCREW	67, 251, 761, 825, 827
9999421375	CAPSCREW	190, 493, 627
9999421377	BOLT	415
9999421383	CAPSCR	497, 501
9999421384	CAPSCREW	67, 379
9999421385	CAPSCREW	55
9999421387	LOCK WASHER	51, 68, 241, 251, 281, 375, 494, 628, 761, 797, 801, 821, 823, 825, 827
9999421388	LOCK WASHER	199, 279, 360, 413, 721, 759, 801
9999421433	CABLE, CONTROL	613
9999421435	PUMP ASSY, HYD	707
9999421437	CAP	693
9999421439	VALVE ASSY, CHECK	59, 61, 249
9999421442	CARTRIDGE, MODE	373
9999421443	CARTRIDGE	377
9999421445	RELAY	505
9999421446	RELAY	541
9999421449	CONTROLLER	511
9999421451	SENSOR	693
9999421462	VALVE, PILOT	9
9999421465	SWING REDUCT INSTAL	335
9999421467	GRIP ASSY	457
9999421468	SWITCH, LIMIT	525
9999421469	SWITCH	571
9999421470	SWITCH, PRESSURE	9
9999421478	PUMP ASSEMBLY - HYDRAULIC GEAR	21
9999421479	PUMP ASSEMBLY - HYDRAULIC GEAR	23
9999421488	VALVE ASSY, SOLENOID	389
9999421492	SWITCH	571
9999421495	LAMP	575
9999421517	SHEAVE	761
9999421522	PIN	795, 809, 811, 813, 815

From - 9999421371

To - 9999421522

Manitowoc

Numerical Index		Appendix B
Part	Description	Page
9999421527	PIN, SPLIT	791
9999421531	CAPSCREW	731
9999421533	SHEAVE	801
9999421535	SHEAVE	791
9999421539	BEARING	821
9999421544	PIN, SPRING	833
9999421545	PIN	791, 799, 837, 839, 841
9999421547	PIN	843, 845, 847, 849, 851
9999421552	BEARING, ROLLER	345
9999422134	SPACER	791
9999422135	SPACER	761
9999422184	COLLAR	791
9999422188	PLATE	345
9999422193	RING	725
9999422194	WASHER,	5, 87, 199, 203, 209, 217, 227, 233, 237, 286, 395, 439, 443, 451, 549, 613, 617, 643, 670, 689, 693, 699, 711
9999422198	WASHER,	195, 205, 543, 707
9999422212	LOCK WASHER	185
9999422225	PIN	759
9999422241	PIN	195, 205, 737, 739, 745, 750, 753
9999422246	CHAIN ASSY	733
9999422255	TUBE	829
9999422271	GROMMET	167
9999422273	GROMMET	531
9999422274	GROMMET	167
9999422291	CAPSCREW	797
9999422292	BOLT	549
9999422302	SHIM, 1.2	345
9999422303	SHIM, 1.3	346
9999422304	SHIM, 1.4	346
9999422305	SHIM, 1.5	346
9999422306	SHIM, 1.6	346
9999422307	SHIM, 1.7	346

From - 9999421527

To - 9999422307

Manitowoc

Numerical Index		Appendix B
Part	Description	Page
9999422308	SHIM, 1.8	346
9999422317	PLUG	275
9999422318	MACHINE SCREW	185, 639
9999422319	GROMMET	453
9999422347	BEARING	797
9999422348	BEARING	791
9999422354	BEARING	823
9999422413	TANK ASSY, WATER	693
9999422414	BRACKET	693
9999422415	TANK	693
9999422432	RUBBER	199, 251, 539
9999422454	WIRE ROPE	597
9999422461	CLIP	360
9999422504	HOSE ASSY, USE AS REQUIRED	67
9999422513	ELBOW, 90	71, 375
9999422514	ELBOW, 90	359
9999422515	ELBOW, 90	251
9999422516	ELBOW	399
9999422517	CONNECTOR	415
9999422518	PLUG	51, 71, 379
9999422519	HOSE ASSY, USE AS REQUIRED	89
9999422527	ELBOW, 45	9, 55
9999422536	CONNECTOR	15
9999422537	TEE	111, 117, 389, 409
9999422538	TEE	107
9999422540	TEE	41, 59, 61, 249, 279
9999422541	CONNECTOR	9, 55, 81, 105, 269, 401, 403, 457, 497, 501, 619
9999422543	TEE	41, 59, 83, 381
9999422545	ELBOW, 90	749
9999422546	PLUG	275
9999422547	PLUG	275
9999422548	PLUG	275, 389
9999422550	CONNECTOR	115
9999422551	BREATHER	439, 443
9999422558	O-RING	335, 337

From - 9999422308

To - 9999422558

Manitowoc

Numerical Index	Appendix B	
Part	Description	Page
9999422565	RING	119
9999422566	FILTER, DRAIN	359
9999422580	BUTTON, THRUST	346
9999422602	BOLT	359
9999422603	BLOCK	359
9999422608	BEARING, ROLLER	345, 685
9999422611	BEARING	493, 627
9999422615	BEARING, ROLLER	685
9999422629	O-RING	39, 360
9999422630	O-RING	119
9999422631	WEDGE, ROPE	333
9999422632	WEDGE, ROPE	767, 771, 775, 779, 785
9999422633	WEDGE, ROPE	781
9999422640	BRACKET	633
9999422641	CLAMP	101
9999422650	CAP	3, 15, 229, 235, 439, 443, 737, 749, 761, 825, 827
9999422651	TUBE LINE	241
9999422660	CONNECTOR	59, 249
9999422674	ELBOW	101
9999422675	CLIP	33, 41, 68, 93, 292, 513, 517, 519, 545, 711
9999422676	CLAMP	475, 633
9999422685	O-RING	693
9999422710	HOSE ASSY, USE AS REQUIRED	286
9999422712	HANDLE	207
9999422821	CLAMP	87, 89
9999422827	CASE	309
9999422829	BLOCK	107
9999422859	DUCT	285
9999422861	BRACKET	285
9999422863	BOLT	291
9999422867	DUCT	285
9999422868	BRACKET	285
9999422880	CLIP	285
9999422887	TUBE	341

From - 9999422565

To - 9999422887

Manitowoc

Numerical Index	Appendix B	
Part	Description	Page
9999422890	CAP	473
9999422891	ROD	473
9999422892	CORE	473
9999422893	COVER	473
9999422894	CASE	473
9999422895	SPRING	473
9999422896	O-RING	473
9999422897	COIL	473
9999422898	CASE	473
9999422899	PIN	473
9999422900	BODY	473
9999422901	SCREW,	473
9999422902	CABLE	473
9999422930	PIN	597, 601
9999422931	SHACKLE	597, 601
9999422934	FLANGE	363
9999422951	PEDAL	479, 483, 487
9999422952	BRACKET	479, 483, 487
9999422954	CONNECTOR	81
9999422959	PIN	451
9999423001	PIN	327
9999423003	PLATE, KEEPER	327
9999423076	PLATE, KEEPER	737
9999423189	CONNECTOR	689
9999423222	CONNECTOR	73, 253
9999423223	CONNECTOR	73, 253
9999423224	CONNECTOR	73, 253
9999423231	HOSE ASSY	68
9999423235	HOSE ASSY	67
9999423278	SHEET	703
9999423315	CAPSCREW	193
9999423389	PIN	5
9999423463	TUBE	39
9999423464	TUBE	39, 67
9999423467	CAPSCREW	39, 67
9999423472	FLANGE	27

From - 9999422890

To - 9999423472

Manitowoc

Numerical Index		Appendix B
Part	Description	Page
9999423536	GEAR, RING	345
9999423537	HOUSING	345
9999423538	HOUSING	345
9999423539	HOUSING	345
9999423540	RETAINER	346
9999423541	SHAFT	345
9999423542	SHIM, 0.2	345
9999423543	SHIM, 0.5	345
9999423552	PLATE	685
9999423565	SWITCH ASSY	457, 633
9999423578	SPRING	457
9999423583	BODY	377
9999423584	VALVE ASSY	377
9999423589	SWITCH ASSEMBLY - LIMIT	787
9999423600	BRACKET	359
9999423626	COVER	219
9999423673	BRACKET	479, 487
9999423676	LEVER	493, 627
9999423678	JOINT, SWIVEL	755
9999423684	GAUGE, LEVEL, OIL	685
9999423699	BRACKET	823
9999423715	BOLT	781
9999423716	WASHER,	781
9999423733	FRAME, SHEAVE, AUX	817
9999423734	GUARD, SHEAVE	817
9999423744	SHEAVE ASSEMBLY - IDLER	799
9999423747	PIN	817, 821, 825, 827
9999423749	PIN	801
9999423750	PIN	821
9999423751	GUARD, SHEAVE	821
9999423754	SPREADER ASSY, UPP	787
9999423755	SPREADER, UPP	791
9999423759	CAPSCREW	793
9999423760	LINK	793
9999423761	LINK	793
9999423763	SPREADER GUIDE ASSY	787

From - 9999423536

To - 9999423763

Manitowoc

Numerical Index		Appendix B
Part	Description	Page
9999423795	BRACKET	3
9999423796	BRACKET	229
9999423797	SOCKET, ROPE	781
9999423807	REEL ASSY, CABLE	589
9999423811	PAWL	613, 617
9999423812	ROD	613, 617
9999423813	ROD	613
9999423817	COMPRESSOR	291
9999423846	PIN	733
9999423849	RIVET	685
9999423888	PLUG	689
9999424043	O-RING	681
9999424045	ELBOW, 90	81
9999424051	CONNECTOR	494
9999424055	CONNECTOR	105
9999424059	CONNECTOR	253
9999424060	ELBOW, 90	263
9999424061	ELBOW	81, 103, 385
9999424062	ELBOW, 90	9, 457, 619
9999424068	ELBOW, 45	59, 61, 249
9999424071	TEE	81
9999424073	TEE	81
9999424076	NUT	67, 251, 711
9999424078	SPRING	451, 613, 617
9999424079	PIN	161, 169, 181, 183, 195, 205
9999424081	CAPSCREW	327
9999424084	CLAMP, HALF	57, 59, 61, 249
9999424103	CAP	233
9999424175	LABEL	589
9999424244	RUBBER	51, 121, 221
9999424245	POTENTIOMETER	457, 635
9999424252	BRACKET	639
9999424269	BATTERY	551
9999424284	BUSHING	33, 241
9999424320	CAPSCREW	599, 603
9999424323	FILTER	371

From - 9999423795

To - 9999424323

Manitowoc

Numerical Index		Appendix B
Part	Description	Page
9999424326	SEAL, FLOATING	725
9999424328	SEAL, FLOATING	727
9999424358	ELBOW, 90	81, 263, 341, 389
9999424360	CLIP	669, 689, 711
9999424361	CLIP	711
9999424362	CLIP	341, 707
9999424363	CLIP	591
9999424364	CLIP	669
9999424365	CLAMP	669
9999424368	CLIP	669, 699
9999424370	CLIP	699
9999424372	CLIP	711
9999424373	CLIP	241
9999424375	CLIP	39, 51, 87
9999424377	CLIP	39
9999424381	CLAMP	415
9999424384	CLAMP	599, 603
9999424391	CLIP	3, 229, 451
9999424392	CLIP	15, 693
9999424393	CLIP	97, 113, 241, 395
9999424394	CLIP	98, 291
9999424396	CLIP	67, 77, 79, 89, 121
9999424398	CLIP	67
9999424404	CLIP	613, 617
9999424405	CLIP	97, 113, 115, 241, 381, 395, 409
9999424406	CLIP	711
9999424407	O-RING	727
9999424410	O-RING	725
9999424412	O-RING	365
9999424413	O-RING	719
9999424419	O-RING	363
9999424421	O-RING	359
9999424422	O-RING	359
9999424423	O-RING	45, 81
9999424424	O-RING	45, 63, 125, 241, 415

From - 9999424326

To - 9999424424

Manitowoc

Numerical Index		Appendix B
Part	Description	Page
9999424429	O-RING	619
9999424430	O-RING	377
9999424431	O-RING	81
9999424432	O-RING	45
9999424434	O-RING	45, 47, 51, 55, 241, 245, 275, 413, 415
9999424435	O-RING	39, 51, 57, 59, 61, 63, 68, 241, 249, 379
9999424437	O-RING	737
9999424440	SEAL, FLOATING	719
9999424442	PLUG	379
9999424444	FLANGE	47, 241, 413
9999424447	PLUG	81, 91, 369, 385, 497, 501
9999424448	PLUG	107, 255, 359, 383, 399, 403, 405
9999424449	PLUG	101, 111, 360, 379, 494
9999424450	PLUG	359, 363
9999424451	PLUG	360
9999424453	PLUG	229, 725, 727
9999424454	PLUG	419, 719
9999424455	PLUG	345, 419
9999424456	PLUG	345, 419, 686
9999424467	CONNECTOR	125
9999424472	NIPPLE, GREASE	763
9999424474	CONNECTOR	109, 261, 628
9999424475	CONNECTOR	59, 61, 81, 83, 103, 249, 263, 273, 279, 367, 385, 391, 497, 501
9999424476	CONNECTOR	107
9999424477	CONNECTOR	47, 75, 101, 107, 263, 267, 271, 383, 389, 397, 399, 405, 409
9999424478	CONNECTOR	409
9999424479	CONNECTOR	93, 101, 111, 115, 117, 125, 279, 359, 369, 389, 409, 415
9999424481	CONNECTOR	59, 71, 75

From - 9999424429

To - 9999424481

Manitowoc

Numerical Index		Appendix B
Part	Description	Page
9999424482	CONNECTOR	245
9999424483	CONNECTOR	3, 229, 235, 439, 443, 763
9999424486	ELBOW, 90	41, 81, 91, 103, 105, 125, 279, 359, 367, 369, 389, 391, 457
9999424487	ELBOW, 90	107, 383, 405, 415
9999424488	ELBOW, 90	9, 107, 127, 255, 359, 383, 397, 401, 497, 501
9999424490	ELBOW, 90	101, 115, 117, 257, 259, 263, 279, 359, 369, 375, 405, 409, 413, 415, 494
9999424491	ELBOW, 90	45
9999424492	ELBOW, 90	51, 63, 68, 71, 81, 249
9999424493	ELBOW, 90	613, 617
9999424494	ELBOW, 90	15, 439, 443, 451
9999424496	ELBOW, 45	41, 91, 249, 273, 385, 391
9999424497	ELBOW, 45	107, 127
9999424498	ELBOW, 45	263, 279, 403
9999424504	BOLT	458, 505, 589
9999424506	SEMS-BOLT	457, 579
9999424508	SEMS-BOLT	323
9999424509	SEMS-BOLT	659
9999424510	SEMS-BOLT	3, 47, 229, 279, 286, 453, 479, 483, 487, 493, 497, 501, 517, 523, 539, 623, 627, 643, 711
9999424511	SEMS-BOLT	5, 47, 67, 89, 121, 241, 439, 443, 547, 689, 693, 699
9999424513	SEMS-BOLT	105, 279, 281, 385
9999424514	SEMS-BOLT	98
9999424515	SEMS-BOLT	51, 87, 395
9999424516	SEMS-BOLT	209
9999424518	SEMS-BOLT	360
9999424519	SEMS-BOLT	103
9999424520	SEMS-BOLT	286
9999424521	SEMS-BOLT	7, 129, 493, 507, 539, 623, 749

From - 9999424482

To - 9999424521

Manitowoc

Numerical Index		Appendix B
Part	Description	Page
9999424522	SEMS-BOLT	87, 129, 387, 409, 453, 511, 517, 711
9999424523	SEMS-BOLT	507, 525
9999424525	SEMS-BOLT	297, 575
9999424526	SEMS-BOLT	51, 87, 89, 101, 127, 141, 146, 150, 178, 190, 209, 217, 229, 233, 235, 237, 263, 360, 387, 465, 539, 607, 689, 693, 711
9999424528	SEMS-BOLT	133, 415, 693, 759, 807
9999424532	SEMS-BOLT	511
9999424533	SEMS-BOLT	457, 461, 479, 483, 487, 565, 575, 641, 855
9999424535	SEMS-BOLT	138, 286
9999424537	SEMS-BOLT	207, 286, 531, 639, 641, 659, 663
9999424538	SEMS-BOLT	531, 557, 559
9999424540	SEMS-BOLT	511, 541, 543
9999424541	SEMS-BOLT	129, 511
9999424546	NUT	669
9999424548	NUT	605
9999424549	NUT	543
9999424550	NUT	539
9999424552	NUT	543
9999424553	NUT	539, 749
9999424554	NUT	458, 619
9999424557	NUT	458, 619
9999424558	NUT	451, 613, 617
9999424561	NUT	599, 603
9999424564	NUT	525
9999424565	NUT	360, 461, 479, 483, 487, 517
9999424567	NUT	45, 63, 115, 127, 227, 409, 479, 483, 487, 549, 607, 763
9999424569	NUT	195, 205, 281, 327
9999424570	NUT	327, 415, 425, 427, 787, 789
9999424572	NUT	681

From - 9999424522

To - 9999424572

Manitowoc

Numerical Index	Appendix B	
Part	Description	Page
9999424573	NUT	781
9999424575	U-NUT	817
9999424578	PIN, SPLIT	601
9999424581	PIN, SPLIT	601
9999424589	PIN, SPLIT	767, 771, 775, 779, 785
9999424598	PIN, SPLIT	149, 177, 493, 627, 699, 749
9999424599	PIN, SPLIT	597
9999424600	PIN, SPLIT	461
9999424601	PIN	493, 597, 627
9999424603	PIN, SPLIT	493, 627
9999424605	PIN, SPLIT	755, 829
9999424606	PIN	793
9999424607	PIN, SPLIT	749, 753
9999424608	PIN, SPLIT	825
9999424609	COTTER PIN	799, 837, 839, 841
9999424610	PIN	843, 845, 847, 849, 851
9999424611	PIN, SPLIT	819
9999424619	PIN, SPRING	681
9999424622	PIN	479, 483, 487
9999424627	RING, RETAINING	791
9999424628	RING, RETAINING	281
9999424632	RING, RETAINING	345
9999424649	CAPSCREW	507
9999424651	CAPSCREW	685
9999424652	CAPSCREW	345
9999424657	CAPSCREW	669
9999424658	CAPSCREW	345
9999424661	CAPSCREW	439, 443
9999424665	CAPSCREW	669
9999424666	CAPSCREW	345
9999424670	CAPSCREW	693
9999424679	CAPSCREW	599, 603
9999424683	CAPSCREW	115
9999424685	CAPSCREW	458
9999424686	CAPSCREW	367, 458, 513
9999424689	CAPSCREW	597

From - 9999424573

To - 9999424689

Manitowoc

Numerical Index		Appendix B
Part	Description	Page
9999424690	CAPSCREW	291
9999424691	CAPSCREW	15, 286, 479, 483, 487, 507
9999424692	CAPSCREW	98, 115, 451
9999424693	BOLT	47, 68, 89, 98, 263, 327, 360, 363, 395, 415, 453, 517, 669
9999424694	CAPSCREW	67, 479, 483, 487, 711
9999424695	CAPSCREW	45, 193, 205
9999424696	CAPSCREW	711
9999424699	CAPSCREW	45, 63, 87, 89, 183
9999424700	CAPSCREW	89
9999424702	CAPSCREW	67, 801
9999424703	CAPSCREW	33, 67, 821
9999424704	CAPSCREW	281, 493, 627
9999424706	CAPSCREW	51, 241, 494, 628, 823
9999424707	CAPSCREW	797
9999424712	CAPSCREW	493, 627
9999424713	CAPSCREW	805
9999424716	CAPSCREW	413
9999424717	CAPSCREW	360, 721, 759, 817
9999424718	CAPSCREW	199, 279, 801, 817
9999424719	CAPSCREW	335, 337, 453, 805
9999424720	CAPSCREW	750
9999424723	CAPSCREW	327
9999424724	CAPSCREW	693
9999424725	CAPSCREW	193, 439, 443
9999424730	CAPSCREW	419
9999424733	BOLT	345
9999424738	CAPSCREW	345
9999424746	CAPSCREW	819
9999424750	CAPSCREW	429, 431, 433
9999424751	CAPSCREW	429, 431, 433, 439, 443
9999424755	CAPSCREW	719
9999424760	CAPSCREW	295
9999424762	CAPSCREW	391
9999424764	CAPSCREW	9, 458, 619

From - 9999424690

To - 9999424764

Manitowoc

Numerical Index		Appendix B
Part	Description	Page
9999424767	CAPSCREW	98, 494, 628
9999424768	CAPSCREW	401
9999424769	CAPSCREW	737
9999424770	CAPSCREW	39
9999424771	CAPSCREW	51, 241, 281
9999424772	CAPSCREW	39, 45, 241
9999424775	CAPSCREW	227
9999424778	CAPSCREW	681
9999424781	CAPSCREW	681
9999424783	CAPSCREW	797
9999424784	MACHINE SCREW	685
9999424788	MACHINE SCREW	509, 599, 603
9999424789	MACHINE SCREW	639
9999424794	MACHINE SCREW	325
9999424798	MACHINE SCREW	571
9999424814	SETSCREW	737
9999424831	WASHER,	439, 443, 669
9999424832	WASHER,	669
9999424833	WASHER,	669
9999424834	WASHER,	715
9999424837	WASHER,	3, 193, 205, 425, 427
9999424838	WASHER,	33, 51, 190, 241
9999424839	WASHER,	453, 750
9999424840	WASHER,	190, 193, 199, 693
9999424842	WASHER,	563
9999424847	WASHER	737
9999424848	WASHER	605
9999424849	WASHER,	525
9999424853	WASHER,	479, 483, 487, 505, 513, 539, 543, 571, 579, 589, 599, 603
9999424854	WASHER,	291, 458, 513, 523, 579, 589, 597
9999424855	WASHER,	5, 51, 87, 89, 91, 97, 101, 263, 286, 291, 313, 319, 360, 363, 387, 395, 451, 453, 479, 483, 487, 494, 507, 511, 517, 523, 539, 547, 561, 579, 585, 613, 617, 628, 643, 647, 651, 669, 689, 693, 699, 711, 749, 797

From - 9999424767

To - 9999424855

Manitowoc

Numerical Index		Appendix B
Part	Description	Page
9999424856	WASHER,	68, 77, 79, 409, 467, 479, 483, 487, 494, 593, 597, 601, 619, 628, 647, 711
9999424858	WASHER,	721, 801, 805
9999424859	WASHER,	195, 205
9999424860	WASHER,	494, 628, 803, 817, 825, 827
9999424861	LOCK WASHER	819
9999424863	LOCK WASHER	731
9999424865	LOCK WASHER	543
9999424866	LOCK WASHER	91, 263, 295, 387, 391, 497, 501, 523
9999424867	LOCK WASHER	9, 39, 55, 68, 93, 97, 379, 381, 397, 399, 401, 403, 405, 458, 494, 619, 628
9999424868	LOCK WASHER	39, 51, 241, 281
9999424871	LOCK WASHER	719
9999424873	LOCK WASHER	509, 563, 599, 603, 605, 797
9999424874	LOCK WASHER	325, 525, 639
9999424875	LOCK WASHER	115, 157, 539, 571, 589, 599, 603
9999424876	LOCK WASHER	59, 360, 367, 369, 458, 479, 483, 487, 513
9999424877	LOCK WASHER	15, 45, 47, 63, 68, 75, 87, 89, 98, 115, 127, 193, 209, 227, 263, 286, 360, 375, 395, 453, 479, 483, 487, 507, 517, 549, 607, 749, 763
9999424878	LOCK WASHER	805
9999424890	HOSE ASSY	391
9999424892	HOSE ASSY	97
9999424894	HOSE ASSY	385
9999424898	HOSE ASSY	397, 405
9999424899	HOSE ASSY	397
9999424901	HOSE ASSY	397
9999424904	HOSE ASSY	497, 501
9999424905	HOSE ASSY	501

From - 9999424856

To - 9999424905

Manitowoc

Numerical Index		Appendix B
Part	Description	Page
9999424909	HOSE ASSY	113
9999424910	HOSE ASSY, USE AS REQUIRED	97
9999424911	HOSE ASSY	255
9999424912	HOSE ASSY	113, 241
9999424944	HOSE ASSY	61
9999424949	HOSE ASSY	391
9999424951	HOSE ASSY	401
9999424956	HOSE ASSY	401
9999424957	HOSE ASSY	401
9999424960	HOSE ASSY	381
9999424995	SPACER	825, 827
9999424996	SPACER	817
9999424997	SPACER	821
9999425000	SPACER	803
9999425001	SPACER	803
9999425024	FILTER, INLINE	119
9999425059	PLUG	61
9999425213	SHEET	311
9999425222	CLIP	545, 670
9999425224	VALVE, CHECK	403
9999425232	BODY	409, 749
9999425233	CONNECTOR	403
9999425236	TEE	55
9999425240	CONNECTOR	59, 367, 457
9999425242	CONNECTOR	749
9999425243	TEE	369
9999425250	VALVE	173, 315, 321
9999425252	CLAMP	781
9999425256	LAMP, FLASHER	517, 539
9999425294	TERMINAL	523
9999425301	CAP ASSY	699
9999425318	CLIP	643, 647, 651
9999425319	CLIP	325
9999425324	COVER	609
9999425325	MIRROR	609
9999425326	LIGHT	609

From - 9999424909

To - 9999425326

Manitowoc

Numerical Index		Appendix B
Part	Description	Page
9999425327	MOTOR, ELEC	609
9999425328	PLATE	609
9999425329	COVER	609
9999425330	COVER	609
9999425331	COVER	609
9999425338	BRACKET	645, 649, 653
9999425339	COVER	645, 649, 653
9999425340	INSULATION	645, 649, 653
9999425341	SEMS-BOLT	645, 649, 653
9999425342	SEMS-BOLT	645, 649, 653
9999425343	NUT	645, 649, 653
9999425346	WASHER,	645, 649, 653
9999425389	DRUM, WINCH	281
9999425404	GRIP	463
9999425405	PLATE	463
9999425406	STRAINER, SUCTION	359
9999425410	BRACKET	171
9999425411	BOLT	171
9999425412	NUT	171
9999425413	COLLAR	171
9999425416	COVER	663
9999425419	TAGLINE ASSY	279
9999425420	SHAFT	281
9999425423	PLATE, KEEPER	593
9999425591	BRACKET	475
9999425660	WIRE ROPE	781
9999425662	BRACKET	281
9999425708	BLOCK	327
9999425972	VALVE BLOCK ASSY	369
9999426022	SENSOR, PRESS	101, 263, 389
9999426065	CONNECTOR	497, 501
9999426067	CONNECTOR	117
9999426071	ELBOW, 90	41, 59
9999426073	ELBOW, 45	415
9999426077	WIRE ROPE	781
9999426234	HOSE	291

From - 9999425327

To - 9999426234

Manitowoc

Numerical Index		Appendix B
Part	Description	Page
9999426440	BRACKET	295
9999426441	HANDLE	295
9999426443	COVER	295
9999426447	SWITCH, KEY	567
9999426449	LIGHT	167, 313, 319
9999426456	CLIP	711
9999426457	O-RING	363
9999426459	PLUG	275
9999426462	ELBOW, 90	681, 686
9999426464	ELBOW, 45	45
9999426467	SEMS-BOLT	505
9999426469	NUT	711
9999426488	CAPSCREW	439, 443
9999426494	CAPSCREW	369
9999426517	HOSE ASSY, USE AS REQUIRED	67
9999426521	HOSE ASSY, USE AS REQUIRED	83
9999426526	HOSE ASSY	97, 101
9999426570	HOSE ASSY	409
9999426571	HOSE ASSY	409
9999427219	SWITCH, KEY	567
9999427300	HAIR-PIN	739
9999427314	UPPERROLLER ASSY	723
9999427318	ROLLER	727
9999427359	AMPLIFIER	659
9999427397	AMPLIFIER	659
9999427441	GRIP	457
9999427442	LOAD CELL	593
9999427455	PIN	725
9999427714	PIN, SPRING	589, 829, 831
9999427715	PIN, SPRING	585, 753, 817
9999427716	PIN, SPRING	231, 791, 795, 809, 811, 813, 815
9999427717	PIN, SPRING	733, 750, 759, 853
9999427720	U-BOLT	579, 589
9999427722	U-BOLT	797
9999427726	LABEL	579

From - 9999426440

To - 9999427726

Manitowoc

Numerical Index		Appendix B
Part	Description	Page
9999427738	BRACKET	643
9999427762	CLIP	413, 581, 587
9999427770	CAPSCREW	189, 199, 425, 427
9999427774	HOSE ASSY	41
9999427930	ELBOW	269, 399, 401
9999427931	CONNECTOR	105, 117, 619
9999427932	TEE	117, 127
9999427933	BEARING	685
9999427935	VALVE, CONTROL, FLOW	279
9999427939	CLIP	505, 507, 511, 517, 523, 539, 541, 553, 561, 579
9999427940	CLIP	505, 507, 511, 517, 523, 527, 539, 541, 543, 553, 561, 575, 585, 593, 689
9999427942	CLAMP	51, 87
9999427950	BRACKET	87
9999427969	PLATE	457
9999427970	PLATE	457
9999427971	PLATE	631
9999428022	NAME PLATE	531
9999428082	SWITCH	531
9999428266	CONNECTOR	117
9999428267	CONNECTOR	409
9999428298	VALVE ASSY, CONTROL	407
9999428304	SPRING	365
9999428306	TEE	279, 403
9999428310	COVER	363
9999428313	GROMMET	193
9999428315	CLIP	67, 89, 93, 251
9999428333	HOSE ASSY	117
9999428464	REEL, CABLE	579
9999428545	VALVE, CHECK	365
9999428550	PLATE	365
9999428551	PACKING	365
9999428616	CONNECTOR	291
9999428799	WIRE ROPE	769, 777

From - 9999427738

To - 9999428799

Manitowoc

Numerical Index		Appendix B
Part	Description	Page
9999428803	HOSE ASSY, USE AS REQUIRED	711
9999428813	BUSHING	291
9999428814	ELBOW, 45	39
9999428815	NUT	669
9999428818	CAPSCREW	685
9999428819	CAPSCREW	669
9999428820	CAPSCREW	669
9999428821	WASHER,	669
9999429156	PIN, SPLIT	755
9999429188	WIRE ROPE	765
9999429189	WIRE ROPE	773
9999429425	CONNECTOR	279, 389
9999429434	RETAINER	439, 443
9999429435	COVER	439, 443
9999429436	PLATE	439, 443
9999429437	SLEEVE	439, 443
9999429438	SHIM	439, 443
9999429439	SHIM	439, 443
9999429440	SHIM	439, 443
9999429441	SHIM	439, 443
9999429496	FILTER, LINE	369
9999429501	SPEAKER	639
9999429504	WIRE ROPE	765, 773, 783
9999429505	HOSE	241
9999429506	HOSE	51, 87
9999429510	BLOCK	91
9999429511	BRG	439, 443
9999429517	CAPSCR	439, 443
9999429520	CAPSCR	91, 263
9999429675	PIN	465
9999429686	HOSE ASSY	279
9999429741	ELBOW, 90	117, 389
9999429746	VALVE ASSY, SEQUENCE	75
9999429747	SWITCH, THERMO	71, 75
9999429802	CONNECTOR	253
9999429803	CONNECTOR	117

From - 9999428803

To - 9999429803

Manitowoc

Numerical Index		Appendix B
Part	Description	Page
9999429805	CAPSCREW	75
9999429896	ELEMENT, FILTER	713
9999429921	ROLLER ASSY	723
9999429957	SWITCH ASSY LIMIT	597, 601
9999429980	BUSHING	727
9999429981	WIRE ROPE	777
9999429982	WIRE ROPE	769
9999429996	PUMP, FUEL	707
9999429998	CONNECTOR	707
9999429999	HOSE	707
9999430000	CASE	119
9999430001	GASKET	713
9999430002	O-RING	371
9999430003	STRAINER	707
9999430004	WSHR	173, 315, 321
9999430005	LOCK WSHR	173, 315, 321
9999430006	NUT	173, 315, 321
9999430007	CONNECTOR	609, 661
9999430008	O-RING	377
9999430014	HORN	657
9999430015	HOSE	286
9999430020	CASE	661
9999430021	AMPLIFIER	661
9999430022	PANEL	661
9999430023	BAND	661
9999430024	CABLE	661
9999430025	POTENTIOMETER	661
9999430026	ROM	661
9999430027	SWITCH	661
9999430028	BASE	661
9999430036	PIN	825, 827
9999430058	ELBOW, 90	689
9999430060	SHEAVE ASSY, STRUT	825
9999430082	WSHR	199
9999430086	CASE	599, 603
9999430087	CAP	599, 603

From - 9999429805

To - 9999430087

Manitowoc

Numerical Index		Appendix B
Part	Description	Page
9999430089	SWITCH	475, 633
9999430090	SWITCH, LIMIT	599, 603
9999430091	FILTER ASSY, OIL	375
9999430092	COVER	371
9999430093	CASE	371
9999430095	BUSHING	223
9999430102	ROLLER	725
9999430103	COVER	299
9999430134	SENSOR, PRESS	41, 59, 61, 81, 249, 269, 401
9999430135	PLUG	713
9999430136	GASKET	713
9999430137	RING	713
9999430138	CASE	713
9999430139	SENSOR, PRESS	81, 367
9999430141	PLUG	713
9999430142	O-RING	713
9999430145	ELEMENT, FILTER	713
9999430146	NUT ASSY	567
9999430147	WSHR	567
9999430148	SWITCH	567
9999430149	WSHR	567
9999430151	RADIO	639
9999430152	LENS	173, 315, 321
9999430153	BOLT	173, 315, 321
9999430154	MACHINE SCR	173, 315, 321
9999430156	O-RING	737
9999430158	SEMS-BOLT	138
9999430368	O-RING	419
9999430472	CAP, FILLER	359
9999430485	COVER	5
9999430611	TEE	107, 255, 403
9999430656	REPAIR KIT	25
9999430657	COVER, FR.	25
9999430658	COVER, RE.	25
9999430659	PLATE, SIDE	25

From - 9999430089

To - 9999430659

Manitowoc

Numerical Index	Appendix B	
Part	Description	Page
9999430660	BODY	25
9999430661	BUSHING	25
9999430662	GASKET	25
9999430663	GASKET	25
9999430664	OIL SEAL	25
9999430665	PLUG	25
9999430666	O-RING	25
9999430667	BODY	25
9999430668	GEAR	25
9999430669	GEAR	25
9999430670	BODY	25
9999430671	GEAR	25
9999430672	GEAR	25
9999430673	CAPSCR	25
9999430674	WSHR	25
9999430675	RING, RETAINING	25
9999430699	MOTOR, HYD	281
9999430711	SHAFT	727
9999430758	REPAIR KIT	653
9999430759	REPAIR KIT	645, 649
9999430769	CAMERA ASSY	651
9999430770	CAMERA ASSY	643, 647
9999430799	ALARM, OVER LOAD	607
9999430834	ACCUMULATOR INSTAL	97
9999430835	ACCUMULATOR INSTAL	109
9999430836	ACCUMULATOR INSTAL	257
9999430837	CONNECTOR ASSY	51
9999430863	BLOCK ASSY	97
9999430876	JOINT ASSY, SWIVEL	413
9999430882	HYD LINES, WINCH 3RD	245
9999430883	HYD LINES, WINCH FRT	57
9999430884	HYD LINES, WINCH RR	57
9999430887	CONNECTOR ASSY	251
9999430888	CONNECTOR ASSY	68
9999430895	GUARD ASSY, RH	145
9999430896	GUARD ASSY, LH	167

From - 9999430660

To - 9999430896

Manitowoc

Numerical Index	Appendix B	
Part	Description	Page
9999430897	COVER ASSY HYD TANK	145
9999430902	CNTRL BOX ASSY	539
9999430910	COVER ASSY, UNDER DECK	209
9999430912	RELAY BOX ASSY	539
9999430913	JUNCTION BOX ASSY	523
9999430918	INSULATION INSTAL	193
9999430931	HYD LINES, DELIVERY	395
9999430934	LOCK ASSY, SWING LH STAND	457
9999430936	HYD LINES, RETURN	395
9999430941	TANK ASSY, HYD	359
9999430948	PLATFORM ASSY	193
9999430951	HANDRAIL ASSY LH GUARD FRT	167
9999430973	SWITCH INSTAL, LIMIT	523
9999431001	PEDAL ASSY, BRAKE 3RD	623
9999431010	GANTRY ASSY, SUB	755
9999431015	SHEAVE ASSY, B.POINT	799
9999431016	SPREADER ASSY, LOW	759
9999431021	VALVE ASSY	381
9999431024	VALVE INSTAL	395
9999431025	VALVE INSTAL	265
9999431026	VALVE INSTAL	395
9999431027	VALVE INSTAL 8-SECTION / 3RD	265
9999431028	VALVE INSTAL	395
9999431029	VALVE INSTAL	265
9999431030	VALVE INSTAL	387
9999431031	VALVE INSTAL 3-SECTION / 3RD	265
9999431032	VALVE INSTAL	387
9999431034	VALVE INSTAL 2-SECTION VALVE	97
9999431035	VALVE INSTAL 1-SECTION VALVE	97
9999431038	VALVE INSTAL	359
9999431039	VALVE INSTAL, RELIEF	359
9999431041	CONNECTOR ASSY	115
9999431058	LUB LINES, GANTRY	755
9999431068	CONNECTOR ASSY	68
9999431070	CONNECTOR ASSY	79
9999431072	FILTER, FUEL	711

From - 9999430897

To - 9999431072

Manitowoc

Numerical Index		Appendix B
Part	Description	Page
9999431073	ELEMENT, FILTER HYD TANK	359
9999431074	CABLE, CNTRL	451
9999431075	CABLE, CNTRL	617
9999431076	WIRE ROPE	783
9999431077	SEAL	133
9999431078	SEAL	133
9999431079	GUARD	292
9999431080	RUBBER	669
9999431081	RUBBER, MTG	669
9999431082	SPACER	759
9999431083	SPACER	759
9999431084	SPACER	759
9999431085	PIN	733
9999431086	HOSE	439, 443
9999431087	HOSE	3
9999431088	HOSE ASSY	229
9999431089	HOSE	15
9999431090	HOSE	229
9999431091	HOSE	763
9999431092	HOSE	235
9999431093	HOSE	763
9999431094	BOLT, WING	146, 699
9999431095	SHACKLE	553, 555
9999431096	CHAIN	733
9999431097	SHEET, RUBBER	221
9999431098	SHEET, RUBBER	221
9999431099	TRIM	505
9999431100	TRIM	190
9999431101	TRIM	453
9999431102	TRIM	453
9999431103	TRIM	539
9999431104	TRIM	523
9999431105	TRIM	251
9999431106	TRIM	395
9999431107	TRIM	313, 319, 643, 651
9999431108	TRIM	199

From - 9999431073

To - 9999431108

Manitowoc

Numerical Index		Appendix B
Part	Description	Page
9999431109	TRIM	101, 190
9999431110	TRIM	221
9999431111	TRIM	190
9999431112	TRIM	395
9999431113	TRIM	190
9999431114	TRIM	251
9999431115	TRIM	190
9999431116	TRIM	505
9999431117	CLIP	138
9999431118	HOSE	39
9999431119	HOSE	39
9999431120	HOSE ASSY	67
9999431121	HOSE ASSY	375
9999431122	HOSE ASSY	33
9999431123	HOSE ASSY	33
9999431124	CONNECTOR	33, 51, 87, 89, 693
9999431125	ELBOW, 90	33
9999431126	CONNECTOR	39
9999431127	CONNECTOR	253
9999431128	ELBOW	81, 89, 249, 369
9999431129	ELBOW	251
9999431130	TEE	397
9999431131	ELBOW	73, 253
9999431132	JOINT	699
9999431133	ELBOW, 90	699
9999431134	CONNECTOR	9
9999431135	TEE	81
9999431136	CONNECTOR	619
9999431137	HOSE	689
9999431138	TEE	267, 399
9999431139	CONNECTOR	401, 457
9999431140	O-RING	419
9999431141	O-RING	419
9999431142	SEAL	419
9999431143	RUBBER	221
9999431144	RUBBER	221

From - 9999431109

To - 9999431144

Manitowoc

Numerical Index		Appendix B
Part	Description	Page
9999431145	HORN	539
9999431146	CLIP	263, 265
9999431147	CLIP	89
9999431148	TERMINAL	543
9999431149	CONDENSER	291
9999431150	PLATE	285
9999431151	HOSE	285
9999431152	CLIP	699
9999431153	CNTRLLER ASSY	505, 541
9999431154	MOMENT LIMITER ASSY	505
9999431155	BRG	685
9999431156	VALVE, SOLENOID	383
9999431157	CLIP	77, 79
9999431158	BUSHING	415
9999431159	CLIP	711
9999431160	SHEET	311
9999431161	SHEET	311
9999431162	BRG, BALL	685
9999431163	RELAY	511, 543
9999431164	RUBBER	195, 205, 699
9999431165	CONNECTOR	41, 59, 61, 81, 249, 273, 391
9999431166	CLIP	511
9999431167	TRIM	193
9999431168	TRIM	193
9999431169	TRIM	193
9999431170	HOSE	286
9999431171	DUCT	286
9999431172	INSULATION	286
9999431173	HANDLE	855
9999431174	VALVE ASSY, CHECK	279
9999431175	CHAIN	225
9999431176	RUBBER	494, 623
9999431177	RUBBER	494, 623
9999431178	TRIM	511
9999431179	COCK, DRAIN	681

From - 9999431145

To - 9999431179

Manitowoc

Numerical Index	Appendix B	
Part	Description	Page
9999431180	CAPSCR	723
9999431181	SHIM	741
9999431182	SHIM	741
9999431183	SHIM	741
9999431184	SHIM	741
9999431185	LINK	739
9999431186	PIN	739
9999431187	COVER	227
9999431188	COVER	227
9999431189	COVER	227
9999431190	PIN	739
9999431191	STAY	693
9999431192	BOX	167
9999431193	CYL ASSY, HYD	749
9999431194	CYL ASSY,GANTRY	755
9999431195	WINCH ASSY, B.HOIST	329
9999431196	PLATE	431, 439
9999431197	PLATE	433, 443
9999431198	PLATE	429
9999431199	PLATE	431
9999431200	PLATE	433
9999431201	PLATE	429
9999431202	PLATE	439
9999431203	PLATE	443
9999431204	PLATE	439, 443
9999431205	PIN	425, 427
9999431206	PLATE, KEEPER	425, 427
9999431207	CAB ASSY	133
9999431208	ACCESSORIES, CAB	137
9999431209	TRIM	137
9999431210	TRIM	137
9999431211	TRIM	137
9999431212	TRIM	137
9999431213	TRIM	137
9999431214	TRIM	137
9999431215	TRIM	137

From - 9999431180

To - 9999431215

Manitowoc

Numerical Index		Appendix B
Part	Description	Page
9999431216	TRIM	137
9999431217	TRIM	137
9999431218	TRIM	137
9999431219	TRIM	137
9999431220	TRIM	137
9999431221	TRIM	137
9999431222	TRIM	137
9999431223	TRIM	137
9999431224	TRIM	137
9999431225	TRIM	137
9999431226	TRIM	137
9999431227	TRIM	137
9999431228	TRIM	137
9999431229	TRIM	137
9999431230	TRIM	137
9999431231	TRIM	137
9999431232	TRIM	137
9999431233	TRIM	137
9999431234	TRIM	137
9999431235	TRIM	137
9999431236	TRIM	137
9999431237	TRIM	137
9999431238	TRIM	137
9999431239	TRIM	137
9999431240	TRIM	137
9999431241	TRIM	137
9999431242	TRIM	138
9999431243	COVER	641
9999431244	CLIP	138
9999431245	CLIP	138
9999431246	CLIP	138
9999431247	AXLE	737
9999431248	AXLE	737
9999431249	PIN	737
9999431250	BRKT	737
9999431251	PIN	737

From - 9999431216

To - 9999431251

Manitowoc

Numerical Index		Appendix B
Part	Description	Page
9999431252	PIN	737
9999431253	BRKT	413
9999431254	ENGINE, HINO	677
9999431255	HOSE	669
9999431256	HOSE	669
9999431257	HOSE	669
9999431258	HOSE	669
9999431259	HOSE	669
9999431260	WSHR	669
9999431261	BRKT	669
9999431262	BRKT	669
9999431263	BRKT	669
9999431264	HOSE	669
9999431265	HOSE	669
9999431266	TUBE	669
9999431267	BRKT	670
9999431268	TUBE	669
9999431269	TUBE	669
9999431270	LINK	853
9999431271	PIN	853
9999431272	BOOM, LOW	787
9999431273	COVER	539
9999431274	BRKT	517
9999431275	BRKT	523
9999431276	PANEL	541
9999431277	BRKT	523
9999431278	BRKT	387
9999431279	BRKT	523
9999431280	RUBBER	539
9999431281	PLATE	263
9999431282	BRKT	517
9999431283	BRKT	547
9999431284	BRKT	513
9999431285	BRKT	517
9999431286	CLAMP	555
9999431287	TUBE LINE	51

From - 9999431252

To - 9999431287

Manitowoc

Numerical Index		Appendix B
Part	Description	Page
9999431288	TUBE	51
9999431289	TUBE LINE	55
9999431290	TUBE LINE	55
9999431291	TUBE LINE	55
9999431292	TUBE LINE	55
9999431293	MANIFOLD	101
9999431294	BRKT	51
9999431295	COVER	121
9999431296	HOSE ASSY	51
9999431297	HOSE ASSY	51
9999431298	HOSE ASSY	51
9999431299	HOSE ASSY	51
9999431300	HOSE ASSY	51
9999431301	HOSE ASSY	51
9999431302	BRKT	101
9999431303	CLAMP	121
9999431304	CLAMP	51
9999431305	BRKT	51
9999431306	LEVER	619
9999431307	COVER	637
9999431308	PLATE	453
9999431309	COVER	299
9999431310	COVER	623
9999431311	COVER ASSY	623
9999431312	RUBBER	453
9999431313	RUBBER	453
9999431314	RUBBER	453
9999431315	RUBBER	453
9999431316	RUBBER	453
9999431317	RUBBER	453
9999431318	RUBBER	453
9999431319	RUBBER	453
9999431320	RUBBER	453
9999431321	SUPPORT	185
9999431322	BRKT	453
9999431323	BRKT	7

From - 9999431288

To - 9999431323

Manitowoc

Numerical Index		Appendix B
Part	Description	Page
9999431324	PLATE	453
9999431325	BRKT	7
9999431326	PLATE, FLOOR	7
9999431327	DRUM, WINCH	435
9999431328	DRUM, WINCH	445
9999431329	BOOM, UPP	799
9999431330	RADIATOR ASSY	695
9999431331	BRKT	693
9999431332	INSULATION	693
9999431333	INSULATION	693
9999431334	INSULATION	693
9999431335	GUARD	693
9999431336	RAIL	729
9999431337	TUBE	231
9999431338	TUBE	231
9999431339	BRKT	97
9999431340	CLAMP	97
9999431341	BRKT	185
9999431342	PUMP, HYD	19
9999431343	PUMP ASSY, HYD	17
9999431344	HARNESS	507
9999431345	HARNESS	507
9999431346	CLEANER, AIR	701
9999431347	HOSE	699
9999431348	COVER ASSY	699
9999431349	BRKT	699
9999431350	TUBE	699
9999431351	TUBE	699
9999431352	STAY	699
9999431353	COVER	699
9999431354	HARNESS	561
9999431355	BRKT	689
9999431356	GASKET	689
9999431357	BRKT	689
9999431358	BRKT	689
9999431359	TUBE	689

From - 9999431324

To - 9999431359

Manitowoc

Numerical Index		Appendix B
Part	Description	Page
9999431360	BOLT	689
9999431361	TUBE	689
9999431362	JIB, LOW	819
9999431363	JIB ASSY, LOW	819
9999431364	JIB ASSY, LOW	829
9999431365	HARNESS	545
9999431366	CABLE	517
9999431367	HARNESS	539
9999431368	HARNESS	539
9999431369	HARNESS	539
9999431370	HARNESS	593
9999431371	HARNESS	553, 555
9999431372	HARNESS	517
9999431373	HARNESS	545
9999431374	HARNESS	553
9999431375	HARNESS	545
9999431376	CABLE	517
9999431377	HARNESS	319
9999431378	HARNESS	313
9999431379	CABLE	517
9999431380	HARNESS	517
9999431381	HARNESS	523
9999431382	HARNESS	547
9999431383	HARNESS	575
9999431384	HARNESS	539
9999431385	HARNESS	527
9999431386	HARNESS	555
9999431387	HARNESS	655
9999431388	HARNESS	539
9999431389	HARNESS	505
9999431390	CABLE	589
9999431391	CABLE	589
9999431392	CABLE	585
9999431393	CABLE	579
9999431394	CABLE	579
9999431395	CABLE	585

From - 9999431360

To - 9999431395

Manitowoc

Numerical Index		Appendix B
Part	Description	Page
9999431396	CABLE	589
9999431397	CABLE	579
9999431398	CABLE	589
9999431399	BRKT	127
9999431400	CONNECTOR ASSY	127
9999431401	MOTOR ASSY, HYD	331
9999431402	MOTOR ASSY, HYD	447
9999431403	CABLE	513
9999431404	CABLE	513
9999431405	PLATE	565
9999431406	HOSE ASSY	67
9999431407	HOSE ASSY	67
9999431408	HOSE ASSY	67
9999431409	HOSE ASSY	67
9999431410	HOSE ASSY	251
9999431411	HOSE ASSY	67
9999431412	HOSE ASSY	67
9999431413	HOSE ASSY	251
9999431414	TUBE	63
9999431415	MANIFOLD	71
9999431416	PLATE	67
9999431417	PLATE	67
9999431418	BRKT	67
9999431419	HOSE ASSY	59
9999431420	HOSE ASSY	61
9999431421	HOSE ASSY	249
9999431422	HOSE ASSY	249
9999431423	CLAMP	63
9999431424	CROSS	61
9999431425	ELBOW, 90	67
9999431426	COVER	59
9999431427	CONDITIONER ASSY,AIR	285
9999431428	CONDITIONER ASSY,AIR	291
9999431429	CONDITIONER, AIR	285
9999431430	INSULATION	286
9999431431	TUBE LINE	291

From - 9999431396

To - 9999431431

Manitowoc

Numerical Index	Appendix B	
Part	Description	Page
9999431432	TUBE LINE	291
9999431433	DUCT	285
9999431434	DUCT	285
9999431435	DUCT	285
9999431436	BOX	285
9999431437	BRKT	285
9999431438	NOZZLE	285
9999431439	CLAMP	285
9999431440	DUCT	285
9999431441	DUCT	285
9999431442	CLAMP	285
9999431443	CLAMP	285
9999431444	HOSE	285
9999431445	BRKT	291
9999431446	BRKT	291
9999431447	HOSE ASSY	291
9999431448	HOSE ASSY	291
9999431449	BRKT	285
9999431450	GUARD	285
9999431451	BRKT	285
9999431452	HOSE ASSY	291
9999431453	HOSE ASSY	291
9999431454	NOZZLE	286
9999431455	BRKT	291
9999431456	INSULATION	286
9999431457	INSULATION	286
9999431458	TANK ASSY, FUEL	705
9999431459	BAND ASSY	703
9999431460	LABEL	541
9999431461	VALVE BLOCK ASSY	401
9999431462	VALVE BLOCK	399
9999431463	VALVE ASSY, HYD	47
9999431464	PLATE	167
9999431465	PANEL	145
9999431466	PANEL	145
9999431467	PANEL	145

From - 9999431432

To - 9999431467

Manitowoc

Numerical Index	Appendix B	
Part	Description	Page
9999431468	PILLAR	145
9999431469	PILLAR	145
9999431470	PANEL	177
9999431471	PANEL	177
9999431472	PILLAR	177
9999431473	RUBBER	149, 177
9999431474	PILLAR	177
9999431475	PILLAR	145
9999431476	BEAM	177
9999431477	PLATE	145, 149, 153, 211, 217
9999431478	BRKT	149
9999431479	BRKT	177
9999431480	BRKT	149
9999431481	STAY	149, 177
9999431482	PLATE	149
9999431483	DOOR	177
9999431484	DOOR	149, 177
9999431485	DOOR	149, 177
9999431486	PANEL	149
9999431487	GUARD	167
9999431488	PILLAR	149
9999431489	PANEL	153
9999431490	PANEL	177
9999431491	PLATE	177
9999431492	COVER	145
9999431493	COVER	145
9999431494	COVER	145
9999431495	COVER	145
9999431496	COVER ASSY	145
9999431497	COVER	145
9999431498	DOOR	177
9999431499	PANEL	149
9999431500	PILLAR	149
9999431501	INSULATION	150
9999431502	COVER ASSY	145
9999431503	COVER	145

From - 9999431468

To - 9999431503

Manitowoc

Numerical Index	Appendix B	
Part	Description	Page
9999431504	PANEL ASSY	145
9999431505	PANEL ASSY	145
9999431506	PANEL ASSY	145
9999431507	PANEL ASSY	145
9999431508	PANEL	149
9999431509	COVER	153
9999431510	COVER	153
9999431511	PILLAR	177
9999431512	PANEL	177
9999431513	PANEL	149
9999431514	PANEL	145
9999431515	PANEL	177
9999431516	PANEL	177
9999431517	PANEL	177
9999431518	PANEL	177
9999431519	PANEL	149
9999431520	PANEL	149
9999431521	PANEL	177
9999431522	PILLAR	177
9999431523	PILLAR	177
9999431524	PANEL	177
9999431525	PANEL	167
9999431526	PLATE	167
9999431527	PANEL ASSY	167
9999431528	PILLAR	177
9999431529	PILLAR	177
9999431530	PILLAR	177
9999431531	PANEL	177
9999431532	PILLAR	149
9999431533	COVER	177
9999431534	RUBBER	149, 177
9999431535	INSULATION	149, 177
9999431536	INSULATION	150
9999431537	PILLAR	149
9999431538	PLATE ASSY	178
9999431539	GUARD	150

From - 9999431504

To - 9999431539

Manitowoc

Numerical Index	Appendix B	
Part	Description	Page
9999431540	GUARD	150
9999431541	INSULATION	150
9999431542	COVER	150
9999431543	COVER	178
9999431544	PANEL	150
9999431545	PILLAR	150
9999431546	PANEL	150
9999431547	PANEL	153
9999431548	PANEL	153
9999431549	INSULATION	153
9999431550	PANEL	178
9999431551	INSULATION	153
9999431552	PANEL ASSY	163
9999431553	PANEL	163
9999431554	PANEL	163
9999431555	PLATE	163
9999431556	PLATE	163
9999431557	PANEL	163
9999431558	PANEL	149
9999431559	COVER	149
9999431560	HOSE	711
9999431561	BRKT	711
9999431562	COVER	711
9999431563	HOSE	711
9999431564	BRKT	711
9999431565	HOSE	711
9999431566	HOSE	711
9999431567	HOSE	711
9999431568	CNTRLLER	655
9999431569	CNTRLLER ASSY	457
9999431570	COVER	539
9999431571	PLATE	457
9999431572	CASE	541
9999431573	RUBBER	541
9999431574	PLATE	541
9999431575	PLATE	707

From - 9999431540

To - 9999431575

Manitowoc

Numerical Index		Appendix B
Part	Description	Page
9999431576	COVER ASSY, DRUM	233
9999431577	COVER ASSY, DRUM,3RD	237
9999431578	BRKT	5
9999431579	BRKT	5
9999431580	BAR	233, 237
9999431581	COVER ASSY	217
9999431582	COVER	217
9999431583	COVER	217, 219
9999431584	BRKT	217
9999431585	PLATE	217
9999431586	PLATE	217
9999431587	PLATE ASSY	217
9999431588	COVER	5
9999431589	COVER	5
9999431590	COVER	233
9999431591	COVER	233
9999431592	COVER	233
9999431593	COVER	233
9999431594	COVER	237
9999431595	COVER	237
9999431596	COVER	211
9999431597	COVER ASSY	211
9999431598	COVER	211
9999431599	COVER	211
9999431600	COVER	211
9999431601	COVER	211
9999431602	COVER ASSY	211
9999431603	COVER	211
9999431604	COVER ASSY	211
9999431605	COVER	211
9999431606	COVER	211
9999431607	COVER	211
9999431608	COVER	211
9999431609	COVER	212
9999431610	RUBBER	212
9999431611	RUBBER	211

From - 9999431576

To - 9999431611

Manitowoc

Numerical Index	Appendix B	
Part	Description	Page
9999431612	COVER ASSY	211
9999431613	COVER ASSY	211
9999431614	COVER ASSY	211
9999431615	RELAY BOX ASSY	541
9999431616	RELAY BOX ASSY	511
9999431617	JUNCTION BOX ASSY	585
9999431618	PANEL	543
9999431619	BRKT	511
9999431620	COVER	523
9999431621	BRKT	527
9999431622	GUARD	141
9999431623	BRKT	297
9999431624	BRKT	297
9999431625	INSULATION INSTAL	7
9999431626	INSULATION INSTAL	207
9999431627	INSULATION	494
9999431628	INSULATION	494
9999431629	INSULATION	494
9999431630	INSULATION	494
9999431631	INSULATION	623
9999431632	INSULATION	623
9999431633	INSULATION	623
9999431634	INSULATION	623
9999431635	INSULATION	145, 150
9999431636	INSULATION	149
9999431637	INSULATION	149
9999431638	INSULATION	150, 153
9999431639	INSULATION	150
9999431640	INSULATION	189
9999431641	INSULATION	189
9999431642	INSULATION	145
9999431643	INSULATION	145
9999431644	INSULATION	150
9999431645	INSULATION	153
9999431646	INSULATION	153
9999431647	INSULATION	150

From - 9999431612

To - 9999431647

Manitowoc

Numerical Index		Appendix B
Part	Description	Page
9999431648	INSULATION	7
9999431649	INSULATION	7
9999431650	INSULATION	7
9999431651	INSULATION	7
9999431652	INSULATION	7
9999431653	INSULATION	7
9999431654	INSULATION	207
9999431655	INSULATION	207
9999431656	INSULATION	207
9999431657	INSULATION	207
9999431658	INSULATION	207
9999431659	INSULATION	133
9999431660	INSULATION	207
9999431661	INSULATION	207
9999431662	INSULATION	207
9999431663	INSULATION	207
9999431664	INSULATION	207
9999431665	INSULATION	511
9999431666	INSULATION	197
9999431667	INSULATION	197
9999431668	INSULATION	197
9999431669	INSULATION	197
9999431670	INSULATION	197
9999431671	INSULATION	197
9999431672	INSULATION	197
9999431673	INSULATION	197
9999431674	INSULATION	197
9999431675	INSULATION	207
9999431676	INSULATION	511
9999431677	INSULATION	138
9999431678	MAT, FLOOR	309
9999431679	TUBE LINE	39
9999431680	TUBE	39
9999431681	TUBE	39
9999431682	BRKT	467
9999431683	BRKT	467

From - 9999431648

To - 9999431683

Manitowoc

Numerical Index		Appendix B
Part	Description	Page
9999431684	BRKT	619
9999431685	PLATE	467, 619
9999431686	COUPLING	29
9999431687	PLATE	681
9999431688	STAND	681
9999431689	VALVE, CNTRL	411
9999431690	VALVE, PILOT	619
9999431691	VALVE, PILOT	9
9999431692	VALVE ASSY, CNTRL	423
9999431693	VALVE ASSY, CNTRL	349
9999431694	VALVE ASSY, CNTRL	351
9999431695	VALVE ASSY, CNTRL	243
9999431696	VALVE, PILOT	457
9999431697	VALVE ASSY, CNTRL	241
9999431698	REDUCTION ASSY,WINCH	449
9999431699	TUBE LINE	45
9999431700	TUBE LINE	45
9999431701	CLAMP	45
9999431702	BRKT	47
9999431703	COVER	47
9999431704	BRKT	121
9999431705	PLATE	461
9999431706	BRKT	465
9999431707	LEVER	461
9999431708	LINK	461
9999431709	TUBE	89
9999431710	TUBE	89
9999431711	BRKT	51, 87, 89
9999431712	CONNECTOR ASSY	89
9999431713	TUBE	67
9999431714	RUBBER	360
9999431715	TUBE LINE	359
9999431716	BRKT	360
9999431717	BRKT	360
9999431718	BRKT	375
9999431719	GEAR	685

From - 9999431684

To - 9999431719

Manitowoc

Numerical Index		Appendix B
Part	Description	Page
9999431720	GEAR	685
9999431721	GEAR	685
9999431722	GEAR	685
9999431723	SHIM	686
9999431724	SHIM	686
9999431725	SHIM	686
9999431726	BRG, ROLLER	685
9999431727	PLATE	681
9999431728	TUBE	686
9999431729	SUPPORT	685
9999431730	SUPPORT	685
9999431731	PLATE	685
9999431732	SUPPORT	685
9999431733	SUPPORT	685
9999431734	PLATE	685
9999431735	PLATE	685
9999431736	PLATE	685
9999431737	PLATE	685
9999431738	PLATE	685
9999431739	PLATE	685
9999431740	HSG	685
9999431741	STUD BOLT	686
9999431742	SHAFT	685
9999431743	STAND	685
9999431744	TUBE	87
9999431745	TUBE	87
9999431746	TUBE	87
9999431747	TUBE	87
9999431748	INSULATION	33
9999431749	INSULATION	33
9999431750	INSULATION	33
9999431751	TUBE	693
9999431752	INSULATION	33
9999431753	BRKT	87
9999431754	TUBE	87
9999431755	INSULATION	33

From - 9999431720

To - 9999431755

Manitowoc

Numerical Index	Appendix B	
Part	Description	Page
9999431756	VALVE ASSY, SOLENOID	367
9999431757	PLATFORM ASSY, AUX	205
9999431758	PLATFORM	195
9999431759	PLATFORM, AUX	205
9999431760	PLATFORM, AUX	205
9999431761	PLATFORM	195
9999431762	PLATFORM, AUX	205
9999431763	BRG ASSY, SWING	13
9999431764	CAPSCR	11
9999431765	CAPSCR	11
9999431766	CAPSCR	11
9999431767	HANDRAIL	169
9999431768	HANDRAIL ASSY	183
9999431769	HANDRAIL ASSY	161
9999431770	HANDRAIL	169, 181
9999431771	HANDRAIL	161
9999431772	HANDRAIL	183
9999431773	HANDRAIL	183
9999431774	STEP	193
9999431775	HANDRAIL ASSY	161
9999431776	HANDRAIL	161
9999431777	HANDRAIL	161
9999431778	HANDRAIL ASSY	181
9999431779	HANDRAIL	181
9999431780	LADDER ASSY	157
9999431781	LADDER	157
9999431782	HANDRAIL	157
9999431783	LADDER ASSY	157
9999431784	PLUG	157, 161, 169, 181, 183
9999431785	BRKT	161
9999431786	PIN	161, 169, 181, 183
9999431787	BRKT	195, 205
9999431788	SWITCH ASSY	531
9999431789	SWITCH ASSY	531
9999431790	SWITCH ASSY	531, 559
9999431791	SWITCH ASSY	532

From - 9999431756

To - 9999431791

Manitowoc

Numerical Index		Appendix B
Part	Description	Page
9999431792	SWITCH ASSY	531
9999431793	SWITCH ASSY	557
9999431794	SWITCH ASSY	565
9999431795	SWITCH INSTAL	531
9999431796	SWITCH ASSY	541
9999431797	SWITCH INSTAL	531
9999431798	SWITCH INSTAL	532
9999431799	SWITCH ASSY	571
9999431800	SWITCH ASSY, PANEL	285
9999431801	BOX, SWITCH	531, 532, 565
9999431802	PLATE	531, 532, 557, 559, 565
9999431803	BOX, SWITCH	531, 557, 559
9999431804	PLATE	531
9999431805	PLATE	571
9999431806	PLATE	531
9999431807	PLATE	531
9999431808	PLATE	531, 557, 559
9999431809	TUBE	241
9999431810	TUBE LINE	241
9999431811	LEVER	457
9999431812	LEVER	457
9999431813	LEVER	457
9999431814	LEVER	457
9999431815	PLATE	458
9999431816	PLATE	458
9999431817	TUBE	458
9999431818	PIN	457
9999431819	BRKT	458
9999431820	SPACER	467
9999431821	SPACER	619
9999431822	PIN	467
9999431823	PIN	467
9999431824	PIN	619
9999431825	LEVER	457
9999431826	COVER	457
9999431827	LEVER	457

From - 9999431792

To - 9999431827

Manitowoc

Numerical Index		Appendix B
Part	Description	Page
9999431828	BRKT	457
9999431829	LABEL	571
9999431830	COVER	138
9999431831	LEVER ASSY	467, 619
9999431832	LEVER ASSY	467
9999431833	SWITCH	535
9999431834	SWITCH	657
9999431835	SWITCH	623
9999431836	SWITCH	531
9999431837	SWITCH	531
9999431838	SWITCH	531
9999431839	SWITCH	531
9999431840	SWITCH	531
9999431841	SWITCH	531
9999431842	SWITCH	531
9999431843	SWITCH	532
9999431844	SWITCH	532
9999431845	SWITCH	532
9999431846	SWITCH	565
9999431847	SWITCH	565
9999431848	SWITCH	565
9999431849	SWITCH	557
9999431850	SWITCH	557
9999431851	SWITCH	531
9999431852	SWITCH	531
9999431853	SWITCH	313
9999431854	SWITCH	319
9999431855	SWITCH	565
9999431856	SWITCH	565
9999431857	SWITCH	541
9999431858	BRKT	525
9999431859	ACCUMULATOR ASSY	101
9999431860	STAY ASSY	183
9999431861	BRKT	183
9999431862	BRKT	183
9999431863	STAY	183

From - 9999431828

To - 9999431863

Manitowoc

Numerical Index		Appendix B
Part	Description	Page
9999431864	STAY	167
9999431865	STAY	167
9999431866	BRKT	593
9999431867	PIN	593
9999431868	BRKT	563
9999431869	SENSOR	563
9999431870	SENSOR, ANGLE	605
9999431871	TANK, OIL, HYD	363
9999431872	REDUCT ASSY, PROPEL	715
9999431873	BRKT	607
9999431874	DECK, RH	203
9999431875	DECK ASSY, RH	203
9999431876	DECK ASSY, LH	203
9999431877	DECK, RH	203
9999431878	DECK, RH	203
9999431879	DECK, LH	203
9999431880	DECK, LH	203
9999431881	DECK, LH	203
9999431882	RUBBER	97
9999431883	BRKT	199
9999431884	BRKT	199
9999431885	CAPSCR	199, 203
9999431886	BRKT	189
9999431887	BRKT	199
9999431888	BRKT	199
9999431889	BRKT ASSY	189
9999431890	BRKT	189
9999431891	INSULATION	189
9999431892	BRKT	199
9999431893	BRKT	199
9999431894	PLATE	189
9999431895	PLATE	189
9999431896	INSULATION	189
9999431897	INSULATION	189
9999431898	INSULATION	189
9999431899	COVER	189

From - 9999431864

To - 9999431899

Manitowoc

Numerical Index	Appendix B	
Part	Description	Page
9999431900	COVER ASSY	199
9999431901	COVER	199
9999431902	SHIM	189
9999431903	SHIM	189
9999431904	SHIM	189
9999431905	COVER	189
9999431906	COVER	189
9999431907	COVER	189
9999431908	COVER	189
9999431909	INSULATION	189
9999431910	INSULATION	189
9999431911	INSULATION	189
9999431912	INSULATION	189
9999431913	BRKT	189
9999431914	COVER	203
9999431915	COVER	203
9999431916	COVER	203
9999431917	COVER	203
9999431918	COVER	203
9999431919	COVER	189
9999431920	COVER	189
9999431921	BRKT ASSY	189
9999431922	BRKT	189
9999431923	INSULATION	189
9999431924	BRKT	33
9999431925	BRKT	189
9999431926	BRKT	189
9999431927	BRKT	279
9999431928	BUZZER	505
9999431929	COOLER, OIL	35
9999431930	COVER	129
9999431931	BRKT	129
9999431932	COVER	641
9999431933	MONITOR ASSY, SAFETY	575
9999431934	BRKT	319, 651
9999431935	BRKT	647

From - 9999431900

To - 9999431935

Manitowoc

Numerical Index		Appendix B
Part	Description	Page
9999431936	JOINT	575
9999431937	LABEL	575
9999431938	COVER	575
9999431939	BRKT	575
9999431940	LABEL	575
9999431941	COVER	494
9999431942	COVER ASSY	494
9999431943	BRKT	299
9999431944	BRKT	493
9999431945	BRKT	483, 487
9999431946	LINK	479, 483, 487
9999431947	BRKT	627
9999431948	BODY	419
9999431949	PLATE	419
9999431950	TUBE	415
9999431951	TUBE	415
9999431952	TUBE	415
9999431953	TUBE	415
9999431954	SUPPORT	415
9999431955	PLATE	415
9999431956	STEM	419
9999431957	OIL SEAL	419
9999431958	COVER	419
9999431959	GAUGE, LEVEL, FUEL	705
9999431960	CWT	743
9999431961	CWT	743
9999431962	CWT	743
9999431963	LINK	753
9999431964	PIN	753
9999431965	PIN	749
9999431966	FRAME	749
9999431967	LINK	749
9999431968	LINK	749
9999431969	PIN ASSY	749
9999431970	PIN	749
9999431971	PIN	749

From - 9999431936

To - 9999431971

Manitowoc

Numerical Index		Appendix B
Part	Description	Page
9999431972	LEVER	749
9999431973	PIN	749
9999431974	PIN	750
9999431975	LINK	753
9999431976	PIN	759
9999431977	SHEAVE	759
9999431978	PIN	759
9999431979	GUARD	759
9999431980	GUARD	759
9999431981	GUARD	759
9999431982	GUARD	759
9999431983	PIN	759
9999431984	PLATE	759
9999431985	PLATE	759
9999431986	PIN	755
9999431987	BRKT	759
9999431988	CONNECTOR ASSY	77
9999431989	WEIGHT	745
9999431990	MEMBER, COMP, GANTRY	759
9999431991	MEMBER, TENS, GANTRY	759
9999431992	MEMBER, TENS, GANTRY	759
9999431993	MEMBER, TENS, GANTRY	759
9999431994	GUARD, SHEAVE	801
9999431995	PIN	761
9999431996	PIN	761
9999431997	FRAME	761
9999431998	MANIFOLD	403, 405
9999431999	CLAMP	409
9999432000	BRKT	91, 391
9999432001	PLATE	387
9999432002	RUBBER	199
9999432003	RUBBER	199
9999432004	RUBBER	221
9999432005	CONNECTOR ASSY	409
9999432006	CONNECTOR ASSY	409
9999432007	BRKT	395

From - 9999431972

To - 9999432007

Manitowoc

Numerical Index	Appendix B	
Part	Description	Page
9999432008	BRKT	367
9999432009	BRKT	369
9999432010	BRKT	263
9999432011	COVER	207
9999432012	COVER	207
9999432013	COVER	207
9999432014	COVER	207
9999432015	COVER ASSY	138
9999432016	BRKT	138
9999432017	COVER	138
9999432018	BRKT	323
9999432019	SLIP RING	421
9999432020	BRKT	229, 235
9999432021	COVER	229
9999432022	COVER	235
9999432023	BRKT	855
9999432024	PLATE	549
9999432025	COVER	549
9999432026	FUSE ASSY	511
9999432027	HARNESS	325
9999432028	LOCK ASSY, DRUM,BOOM	451
9999432029	PAWL	451
9999432030	PIN	613, 617
9999432031	BRKT	439, 443
9999432032	CYL ASSY	733
9999432033	SWITCH ASSY	531
9999432034	CLAMP	241
9999432035	BRKT	585
9999432036	COVER	693
9999432037	INSULATION	693
9999432038	HARNESS	519
9999432039	CABLE	585
9999432040	MANIFOLD	93
9999432041	PLATE	685
9999432042	PLATE	685
9999432043	PIN	761

From - 9999432008

To - 9999432043

Manitowoc

Numerical Index		Appendix B
Part	Description	Page
9999432044	CONNECTOR	59, 61, 249
9999432045	CONNECTOR	125
9999432046	CONNECTOR	107, 497, 501
9999432047	CONNECTOR	749
9999432048	CONNECTOR	494
9999432049	CONNECTOR	251
9999432050	CONNECTOR	389
9999432051	CONNECTOR	359
9999432052	CONNECTOR	269, 401
9999432053	CONNECTOR	73
9999432054	CONNECTOR	89
9999432055	CONNECTOR	71
9999432056	ELBOW	359
9999432057	SEMS-BOLT	51, 245
9999432058	SEMS-BOLT	47, 241, 413
9999432059	SEMS-BOLT	57, 59, 61, 249
9999432060	PIN	739
9999432061	PIN	749
9999432062	CAPSCR	11
9999432063	CAPSCR	195, 205
9999432064	CAPSCR	425, 427
9999432065	CAPSCR	387
9999432066	HOSE	669
9999432067	HOSE ASSY	359
9999432068	STRIP, WEATHER	199
9999432069	HOSE ASSY	67
9999432070	HOSE ASSY	67
9999432071	HOSE ASSY	67
9999432072	HOSE ASSY	251
9999432073	BRKT	68, 360
9999432074	LABEL	579
9999432075	INSULATION	150
9999432076	CNTRLLER	665
9999432077	COVER ASSY	211
9999432078	COVER ASSY	211
9999432079	COVER	211

From - 9999432044

To - 9999432079

Manitowoc

Numerical Index		Appendix B
Part	Description	Page
9999432080	COVER	211
9999432081	COVER	211
9999432082	COVER	211
9999432083	RUBBER	211
9999432084	INSULATION	149
9999432085	INSULATION	145, 149
9999432086	INSULATION	145, 149
9999432087	INSULATION	149
9999432088	INSULATION	145, 149
9999432089	INSULATION	145, 149
9999432090	INSULATION	149
9999432091	INSULATION	150
9999432092	HANDRAIL	199
9999432093	SENSOR	523
9999432094	SENSOR	523
9999432095	TUBE	523
9999432096	COVER ASSY	189
9999432097	ANTENNA	665
9999432098	ANTENNA	665
9999432099	PIN	755
9999432100	CAP	149, 177, 699
9999432101	VALVE ASSY, SOLENOID	397
9999432102	VALVE ASSY, SOLENOID	391
9999432103	RUBBER	221
9999432104	RUBBER	221
9999432105	RUBBER	221
9999432106	RUBBER	221
9999432107	RUBBER	221
9999432108	RUBBER	221
9999432109	RUBBER	553
9999432110	RUBBER	193
9999432111	RUBBER	193
9999432112	HANDLE	753
9999432113	BLOCK	749
9999432114	PIN	753
9999432115	SHIM	749

From - 9999432080

To - 9999432115

Manitowoc

Numerical Index		Appendix B
Part	Description	Page
9999432116	SHIM	749
9999432117	SHIM	749
9999432118	SHIM	749
9999432119	SHIM	749
9999432120	HOSE ASSY	693
9999432121	CLIP	275
9999432122	CLIP	275
9999432123	CLIP	275
9999432124	CLIP	275
9999432125	GROMMET	190
9999432126	GROMMET	129
9999432127	GROMMET	199, 545
9999432128	ADJUSTER	295
9999432129	FILTER, FUEL	713
9999432130	VALVE, STOP	711
9999432131	REPAIR KIT	365
9999432132	REPAIR KIT	365
9999432133	REPAIR KIT	365
9999432134	STRIP, WEATHER	178
9999432135	CABLE, CNTRL	465
9999432136	HOSE	291
9999432137	BRG, BALL	685
9999432138	VALVE ASSY, SOLENOID	103
9999432139	BUSHING	121
9999432140	TEE	367
9999432141	MACHINE SCR	286
9999432142	CLIP	285
9999432143	GRILLE	286
9999432144	GROMMET	285
9999432145	DUCT	285
9999432146	RUBBER	286
9999432147	V-BELT	291
9999432148	BRKT	291
9999432149	PULLEY ASSY	291
9999432150	GRIP	699
9999432151	STRIP, WEATHER	145

From - 9999432116

To - 9999432151

Manitowoc

Numerical Index		Appendix B
Part	Description	Page
9999432152	PLATE	157, 217
9999432153	RIVET	157, 217
9999432154	SEAT ASSY	295
9999432155	SEAT ASSY	295
9999432156	COVER	295
9999432157	PAD	295
9999432158	COVER	295
9999432159	SEAT	295
9999432160	FRAME	295
9999432161	CABLE	295
9999432162	SPRG	295
9999432163	SUPPORT	295
9999432164	RAIL	458
9999432165	ARM REST	297
9999432166	ARM REST	297
9999432167	RAIL	295
9999432168	VALVE ASSY, SOLENOID	105, 385
9999432169	VALVE, SOLENOID	269
9999432170	VALVE, SOLENOID	271, 273
9999432171	FILTER	286
9999432172	SENSOR, TEMP	359
9999432173	ELEMENT, FILTER	365
9999432174	RECEIVER	291
9999432175	GROMMET	97
9999432176	BAND	285
9999432177	CAP	285
9999432178	MACHINE SCR	285
9999432179	CAPSCR	291
9999432180	STRIP, WEATHER	150, 153, 178
9999432181	STRIP, WEATHER	145, 150, 178
9999432182	CABLE	643, 651
9999432183	CABLE	647
9999432184	CLIP	39, 67
9999432185	CLIP	113
9999432186	CLIP	395
9999432187	CLIP	97

From - 9999432152

To - 9999432187

Manitowoc

Numerical Index		Appendix B
Part	Description	Page
9999432188	O-RING	87, 693
9999432189	COUPLING	39
9999432190	COUPLING	39
9999432191	ELBOW, 90	291
9999432192	SEMS-BOLT	693
9999432193	SEMS-BOLT	415
9999432194	SEMS-BOLT	190
9999432195	SEMS-BOLT	138
9999432196	SEMS-BOLT	297
9999432197	SEMS-BOLT	527
9999432198	SEMS-BOLT	543
9999432199	SEMS-BOLT	547
9999432200	SEMS-BOLT	457, 467, 619
9999432201	SEMS-BOLT	467
9999432202	SEMS-BOLT	665
9999432203	SEMS-BOLT	541
9999432204	SEMS-BOLT	505
9999432205	SEMS-BOLT	505
9999432206	SEMS-BOLT	286, 325
9999432207	SEMS-BOLT	291
9999432208	SEMS-BOLT	291
9999432209	SEMS-BOLT	217, 286, 637
9999432210	SEMS-BOLT	145, 150, 153, 157, 161, 163, 167, 178, 181, 183, 211, 286, 291, 299, 319, 453, 494, 647, 651, 699
9999432211	SEMS-BOLT	185, 190, 199, 286, 575, 623
9999432212	SEMS-BOLT	193, 681
9999432213	SEMS-BOLT	681
9999432214	SEMS-BOLT	729
9999432215	SEMS-BOLT	87, 693
9999432216	NUT	494, 627
9999432217	NUT	195, 205
9999432218	PIN, SPLIT	479, 483, 487
9999432219	PIN	745
9999432220	PIN	753

From - 9999432188

To - 9999432220

Manitowoc

Numerical Index		Appendix B
Part	Description	Page
9999432221	PIN	743
9999432222	CAPSCR	723
9999432223	CAPSCR	429, 431, 433, 439, 443
9999432224	CAPSCR	723
9999432225	CAPSCR	681
9999432226	CAPSCR	451
9999432227	CAPSCR	523
9999432228	CAPSCR	749
9999432229	CAPSCR	711
9999432230	CAPSCR	375
9999432231	CAPSCR	63
9999432232	CAPSCR	195, 205
9999432233	CAPSCR	403
9999432234	CAPSCR	405
9999432235	CAPSCR	381
9999432236	CAPSCR	93, 397
9999432237	CAPSCR	399
9999432238	CAPSCR	681
9999432239	SCR, TAPPING	286
9999432240	WSHR	753
9999432241	HOSE ASSY	241
9999432242	HOSE ASSY	279
9999432243	HOSE ASSY	47
9999432244	HOSE ASSY	89
9999432245	HOSE ASSY	359
9999432246	HOSE ASSY	127
9999432247	HOSE ASSY	89
9999432248	HOSE ASSY	93
9999432249	HOSE ASSY	39
9999432250	HOSE ASSY	67
9999432251	HOSE ASSY	57
9999432252	HOSE ASSY	89
9999432253	HOSE ASSY	77, 79
9999432254	HOSE ASSY	245
9999432255	HOSE ASSY	83
9999432256	HOSE ASSY	359

From - 9999432221

To - 9999432256

Manitowoc

Numerical Index	Appendix B	
Part	Description	Page
9999432257	HOSE ASSY	497, 501
9999432258	HOSE ASSY	41
9999432259	HOSE ASSY	359
9999432260	HOSE ASSY	385
9999432261	HOSE ASSY	91
9999432262	HOSE ASSY	97
9999432263	HOSE ASSY	97
9999432264	HOSE ASSY	57
9999432265	HOSE ASSY	397
9999432266	HOSE ASSY	381, 397, 401
9999432267	HOSE ASSY	271
9999432268	HOSE ASSY	97
9999432269	HOSE ASSY	97
9999432270	HOSE ASSY	97
9999432271	HOSE ASSY	97, 255
9999432272	HOSE ASSY	97, 113
9999432273	HOSE ASSY	113
9999432274	HOSE ASSY	109
9999432275	HOSE ASSY	113
9999432276	HOSE ASSY	97
9999432277	HOSE ASSY	113
9999432278	HOSE ASSY	113
9999432279	HOSE ASSY	257
9999432280	HOSE ASSY	241
9999432281	HOSE ASSY	97
9999432282	HOSE ASSY	97, 241
9999432283	HOSE ASSY	97
9999432284	HOSE ASSY	97
9999432285	HOSE ASSY	113
9999432286	HOSE ASSY	97
9999432287	HOSE ASSY	111, 403
9999432288	HOSE ASSY	389
9999432289	HOSE ASSY	259
9999432290	HOSE ASSY	263
9999432291	HOSE ASSY	111
9999432292	HOSE ASSY	101

From - 9999432257

To - 9999432292

Manitowoc

Numerical Index	Appendix B	
Part	Description	Page
9999432293	HOSE ASSY	101
9999432294	HOSE ASSY	89
9999432295	HOSE ASSY	279
9999432296	HOSE ASSY	127
9999432297	HOSE ASSY	127
9999432298	HOSE ASSY	127
9999432299	HOSE ASSY	127
9999432300	HOSE ASSY	127
9999432301	HOSE ASSY	115
9999432302	HOSE ASSY	115
9999432303	HOSE ASSY	67
9999432304	HOSE ASSY	77, 79
9999432305	HOSE ASSY	251
9999432306	HOSE ASSY	47
9999432307	HOSE ASSY	47
9999432308	HOSE ASSY	241
9999432309	HOSE ASSY	75
9999432310	HOSE ASSY	115
9999432311	HOSE ASSY	61
9999432312	HOSE ASSY	59, 249, 381
9999432313	HOSE ASSY	61
9999432314	HOSE ASSY	59, 249
9999432315	HOSE ASSY	41
9999432316	HOSE ASSY	245
9999432317	HOSE ASSY	41, 59
9999432318	HOSE ASSY	249
9999432319	HOSE ASSY	385
9999432320	HOSE ASSY	391
9999432321	HOSE ASSY	273
9999432322	HOSE ASSY	401
9999432323	HOSE ASSY	269
9999432324	HOSE ASSY	269
9999432325	HOSE ASSY	401
9999432326	HOSE ASSY	113
9999432327	HOSE ASSY	113
9999432328	HOSE ASSY	45

From - 9999432293

To - 9999432328

Manitowoc

Numerical Index	Appendix B	
Part	Description	Page
9999432329	HOSE ASSY	263
9999432330	HOSE ASSY	115
9999432331	HOSE ASSY	115
9999432332	HOSE ASSY	409
9999432333	HOSE ASSY	409
9999432334	HOSE ASSY	115
9999432335	HOSE ASSY	47
9999432336	HOSE ASSY	39
9999432337	HOSE ASSY	359
9999432338	HOSE ASSY	57
9999432339	HOSE ASSY	113
9999432340	HOSE ASSY	113
9999432341	HOSE ASSY	267
9999432342	HOSE ASSY	399
9999432343	HOSE ASSY	399
9999432344	HOSE ASSY	501
9999432345	HOSE ASSY	97
9999432346	HOSE ASSY	497
9999432347	HOSE ASSY	497
9999432348	HOSE ASSY	279
9999432349	HOSE ASSY	413
9999432350	HOSE ASSY	279
9999432351	HOSE ASSY	279
9999432352	HOSE ASSY	413
9999432353	HOSE ASSY	413
9999432354	HOSE ASSY	251
9999432355	HOSE ASSY	413
9999432356	HOSE ASSY	413
9999432357	SPACER	761
A14715	WEDGE (FOR .88 WIRE ROPE)	873

From - 9999432329

To - A14715

Manitowoc

Notes

Manitowoc

Recommended Spare Parts List

Appendix C

Part No.	1 Yr	2 Yr	3 Yr	Qty	Description	Page
7440030000	0	0	1	4	FITTING, STRAIGHT GREASE	859, 863, 869, 873
90015670	0	0	0	1	PIN, GROOVE	863
9053100101	0	0	1	2	FITTING, 90 DEGREE	861, 877
9053100110	0	0	1	1	KIT, LATCH	863
9053100119	0	0	1	2	FITTING, GREASE	861, 877
9086101295	0	0	1	7	WHEEL, SHEAVE	859, 869
9086101382	0	0	1	4	SHEAVE WHEEL	873
9086101385	0	0	1	4	SHEAVE WHEEL	865
9999404534	0	0	0	1	VALVE, CHECK	359
9999404707	0	0	0	2	VALVE, SHUTTLE	497, 501
9999405345	4	4	6	2	FILTER, INLINE	115
9999405737	0	0	1	2	SWITCH	571
9999405876	1	2	3	1	STRAINER	359
9999406236	0	0	1	1	LIGHTER, CIGARETTE	457
9999406312	0	0	1	1	RELAY, BATTERY	543
9999407256	0	0	1	1	SWITCH	509
9999407351	0	0	1	1	BUZZER	523
9999407419	0	0	1	1	METER, HOUR	185
9999407988	0	0	0	2	VALVE ASSY	71
9999408120	0	0	1	2	SWITCH ASSY	475
9999408131	0	0	1	3	SWITCH, PRESSURE	494, 628
9999408664	0	0	1	1	GAUGE, LEVEL, OIL	359
9999408665	0	0	1	1	GAUGE	359
9999421228	0	0	1	1	HORN	539
9999421244	0	0	1	1	LEVER ASSY, THROTTLE	457
9999421433	0	0	1	1	CABLE, CONTROL	613
9999421437	0	0	0	1	CAP	693
9999421439	0	0	0	3	VALVE ASSY, CHECK	59, 61, 249
9999421443	0	0	0	1	CARTRIDGE	377
9999421445	0	0	1	2	RELAY	505
9999421446	0	0	1	1	RELAY	541
9999421449	0	1	1	1	CONTROLLER	511
9999421451	0	0	1	1	SENSOR	693
9999421462	0	0	0	1	VALVE, PILOT	9
9999421468	0	0	0	1	SWITCH, LIMIT	525
9999421469	0	0	1	1	SWITCH	571
9999421470	0	0	1	2	SWITCH, PRESSURE	9
9999421492	0	0	1	1	SWITCH	571
9999421495	1	1	1	1	LAMP	575
9999424323	4	4	6	1	FILTER	371
9999427933	0	0	1	1	BEARING	685
9999427935	0	0	0	1	VALVE, CONTROL, FLOW	279
9999428082	0	0	1	1	SWITCH	531
9999428298	0	0	0	1	VALVE ASSY, CONTROL	407

From - 7440030000

To - 9999428298

Manitowoc

Recommended Spare Parts List

Appendix C

Part No.	1 Yr	2 Yr	3 Yr	Qty	Description	Page
9999428304	0	0	1	1	SPRING	365
9999428313	0	0	2	1	GROMMET	193
9999428333	0	0	0	2	HOSE ASSY	117
9999428464	0	0	1	1	REEL, CABLE	579
9999428545	0	0	0	1	VALVE, CHECK	365
9999428799	0	0	1	2	WIRE ROPE	769, 777
9999428813	0	1	1	2	BUSHING	291
9999429437	0	0	1	2	SLEEVE	439, 443
9999429496	4	4	6	2	FILTER, LINE	369
9999429504	0	0	1	3	WIRE ROPE	765, 773, 783
9999429505	0	0	0	1	HOSE	241
9999429506	0	0	0	7	HOSE	51, 87
9999429511	0	0	1	2	BRG	439, 443
9999429675	0	0	0	1	PIN	465
9999429686	0	0	0	1	HOSE ASSY	279
9999429746	0	0	0	1	VALVE ASSY, SEQUENCE	75
9999429747	0	0	1	3	SWITCH, THERMO	71, 75
9999429957	0	0	1	4	SWITCH ASSY LIMIT	597, 601
9999429981	0	0	1	1	WIRE ROPE	777
9999429982	0	0	1	1	WIRE ROPE	769
9999429996	0	0	0	1	PUMP, FUEL	707
9999429998	0	0	0	1	CONNECTOR	707
9999429999	0	0	0	1	HOSE	707
9999430001	0	0	2	1	GASKET	713
9999430002	0	0	2	1	O-RING	371
9999430007	0	0	0	2	CONNECTOR	609, 661
9999430008	0	0	2	1	O-RING	377
9999430015	0	0	0	1	HOSE	286
9999430023	1	1	1	1	BAND	661
9999430024	0	0	1	1	CABLE	661
9999430027	0	0	1	1	SWITCH	661
9999430036	0	0	0	2	PIN	825, 827
9999430060	0	0	1	2	SHEAVE ASSY, STRUT	825
9999430089	0	0	1	2	SWITCH	475, 633
9999430090	0	0	1	2	SWITCH, LIMIT	599, 603
9999430134	0	0	1	14	SENSOR, PRESS	41, 59, 61, 81, 249, 269, 401
9999430136	0	0	2	1	GASKET	713
9999430139	0	0	1	2	SENSOR, PRESS	81, 367
9999430142	0	0	2	1	O-RING	713
9999430148	0	0	1	1	SWITCH	567
9999430156	0	0	2	4	O-RING	737
9999430368	0	0	2	1	O-RING	419
9999430662	0	0	2	4	GASKET	25

From - 9999428304

To - 9999430662

Manitowoc

Recommended Spare Parts List

Appendix C

Part No.	1 Yr	2 Yr	3 Yr	Qty	Description	Page
9999430663	0	0	2	4	GASKET	25
9999430664	0	0	2	1	OIL SEAL	25
9999430666	0	0	2	1	O-RING	25
9999430668	0	0	0	1	GEAR	25
9999430669	0	0	0	1	GEAR	25
9999430671	0	0	0	1	GEAR	25
9999430672	0	0	0	1	GEAR	25
9999430699	0	0	0	1	MOTOR, HYD	281
9999430912	0	0	1	2	RELAY BOX ASSY	539
9999431015	0	0	1	2	SHEAVE ASSY, B.POINT	799
9999431021	0	0	0	2	VALVE ASSY	381
9999431024	0	0	0	2	VALVE INSTAL	395
9999431025	0	0	0	3	VALVE INSTAL	265
9999431026	0	0	0	2	VALVE INSTAL	395
9999431027	0	0	0	3	VALVE INSTAL 8-SECTION / 3RD	265
9999431028	0	0	0	2	VALVE INSTAL	395
9999431029	0	0	0	4	VALVE INSTAL	265
9999431030	0	0	0	2	VALVE INSTAL	387
9999431031	0	0	0	2	VALVE INSTAL 3-SECTION / 3RD	265
9999431032	0	0	0	2	VALVE INSTAL	387
9999431034	0	0	0	2	VALVE INSTAL 2-SECTION VALVE	97
9999431035	0	0	0	2	VALVE INSTAL 1-SECTION VALVE	97
9999431038	0	0	0	2	VALVE INSTAL	359
9999431039	0	0	0	2	VALVE INSTAL, RELIEF	359
9999431073	4	4	6	2	ELEMENT, FILTER HYD TANK	359
9999431074	0	0	1	1	CABLE, CNTRL	451
9999431075	0	0	1	1	CABLE, CNTRL	617
9999431077	0	0	2	1	SEAL	133
9999431078	0	0	2	1	SEAL	133
9999431085	0	0	0	2	PIN	733
9999431094	0	0	0	4	BOLT, WING	146, 699
9999431095	0	0	1	4	SHACKLE	553, 555
9999431125	0	0	1	1	ELBOW, 90	33
9999431128	0	0	1	4	ELBOW	81, 89, 249, 369
9999431129	0	0	1	1	ELBOW	251
9999431131	0	0	1	4	ELBOW	73, 253
9999431132	0	0	0	1	JOINT	699
9999431133	0	0	1	1	ELBOW, 90	699
9999431140	0	0	2	1	O-RING	419
9999431141	0	0	2	2	O-RING	419
9999431142	0	0	2	8	SEAL	419
9999431154	0	0	0	1	MOMENT LIMITER ASSY	505
9999431155	0	0	1	1	BRG	685
9999431156	0	0	1	1	VALVE, SOLENOID	383

From - 9999430663

To - 9999431156

Manitowoc

Recommended Spare Parts List

Appendix C

Part No.	1 Yr	2 Yr	3 Yr	Qty	Description	Page
9999431158	0	1	1	2	BUSHING	415
9999431162	0	0	1	1	BRG, BALL	685
9999431173	0	0	0	4	HANDLE	855
9999431174	0	0	0	1	VALVE ASSY, CHECK	279
9999431186	0	0	0	4	PIN	739
9999431190	0	0	0	4	PIN	739
9999431205	0	0	0	12	PIN	425, 427
9999431249	0	0	0	4	PIN	737
9999431251	0	0	0	4	PIN	737
9999431252	0	0	0	4	PIN	737
9999431271	0	0	0	2	PIN	853
9999431330	0	0	0	1	RADIATOR ASSY	695
9999431342	0	0	0	1	PUMP, HYD	19
9999431343	0	0	0	1	PUMP ASSY, HYD	17
9999431356	0	0	2	1	GASKET	689
9999431360	0	0	0	1	BOLT	689
9999431366	0	0	1	1	CABLE	517
9999431376	0	0	1	1	CABLE	517
9999431379	0	0	1	1	CABLE	517
9999431390	0	0	1	1	CABLE	589
9999431391	0	0	1	1	CABLE	589
9999431392	0	0	1	1	CABLE	585
9999431393	0	0	1	1	CABLE	579
9999431394	0	0	1	1	CABLE	579
9999431395	0	0	1	1	CABLE	585
9999431396	0	0	1	1	CABLE	589
9999431397	0	0	1	1	CABLE	579
9999431398	0	0	1	1	CABLE	589
9999431401	0	0	0	1	MOTOR ASSY, HYD	331
9999431402	0	0	0	1	MOTOR ASSY, HYD	447
9999431403	0	0	1	1	CABLE	513
9999431404	0	0	1	1	CABLE	513
9999431425	0	0	1	1	ELBOW, 90	67
9999431461	0	0	0	1	VALVE BLOCK ASSY	401
9999431462	0	0	0	1	VALVE BLOCK	399
9999431463	0	0	0	1	VALVE ASSY, HYD	47
9999431568	0	1	1	1	CNTRLR	655
9999431615	0	0	1	1	RELAY BOX ASSY	541
9999431616	0	0	1	1	RELAY BOX ASSY	511
9999431686	0	0	0	1	COUPLING	29
9999431689	0	0	0	1	VALVE, CNTRL	411
9999431690	0	0	0	1	VALVE, PILOT	619
9999431691	0	0	0	1	VALVE, PILOT	9
9999431692	0	0	0	1	VALVE ASSY, CNTRL	423

From - 9999431158

To - 9999431692

Manitowoc

Recommended Spare Parts List

Appendix C

Part No.	1 Yr	2 Yr	3 Yr	Qty	Description	Page
9999431693	0	0	0	1	VALVE ASSY, CNTRL	349
9999431694	0	0	0	1	VALVE ASSY, CNTRL	351
9999431695	0	0	0	1	VALVE ASSY, CNTRL	243
9999431696	0	0	0	1	VALVE, PILOT	457
9999431697	0	0	0	1	VALVE ASSY, CNTRL	241
9999431719	0	0	0	1	GEAR	685
9999431720	0	0	0	1	GEAR	685
9999431721	0	0	0	1	GEAR	685
9999431722	0	0	0	1	GEAR	685
9999431726	0	0	1	2	BRG, ROLLER	685
9999431742	1	1	1	1	SHAFT	685
9999431756	0	0	1	1	VALVE ASSY, SOLENOID	367
9999431786	0	0	0	20	PIN	161, 169, 181, 183
9999431818	0	0	0	1	PIN	457
9999431822	0	0	0	1	PIN	467
9999431823	0	0	0	1	PIN	467
9999431824	0	0	0	1	PIN	619
9999431833	0	0	1	1	SWITCH	535
9999431834	0	0	1	1	SWITCH	657
9999431835	0	0	1	1	SWITCH	623
9999431836	0	0	1	1	SWITCH	531
9999431837	0	0	1	1	SWITCH	531
9999431838	0	0	1	1	SWITCH	531
9999431839	0	0	1	1	SWITCH	531
9999431840	0	0	1	1	SWITCH	531
9999431841	0	0	1	1	SWITCH	531
9999431842	0	0	1	1	SWITCH	531
9999431843	0	0	1	1	SWITCH	532
9999431844	0	0	1	1	SWITCH	532
9999431845	0	0	1	1	SWITCH	532
9999431846	0	0	1	1	SWITCH	565
9999431847	0	0	1	1	SWITCH	565
9999431848	0	0	1	1	SWITCH	565
9999431849	0	0	1	1	SWITCH	557
9999431850	0	0	1	1	SWITCH	557
9999431851	0	0	1	1	SWITCH	531
9999431852	0	0	1	1	SWITCH	531
9999431853	0	0	1	1	SWITCH	313
9999431854	0	0	1	1	SWITCH	319
9999431855	0	0	1	1	SWITCH	565
9999431856	0	0	1	1	SWITCH	565
9999431857	0	0	1	1	SWITCH	541
9999431867	0	0	0	1	PIN	593
9999431869	0	0	1	1	SENSOR	563

From - 9999431693

To - 9999431869

Manitowoc

Recommended Spare Parts List

Appendix C

Part No.	1 Yr	2 Yr	3 Yr	Qty	Description	Page
9999431870	0	0	1	1	SENSOR, ANGLE	605
9999431929	0	0	0	1	COOLER, OIL	35
9999431936	0	0	0	1	JOINT	575
9999431957	0	0	2	1	OIL SEAL	419
9999431964	0	0	0	12	PIN	753
9999431965	0	0	0	2	PIN	749
9999431970	0	0	0	2	PIN	749
9999431971	0	0	0	4	PIN	749
9999431973	0	0	0	2	PIN	749
9999431974	0	0	0	2	PIN	750
9999431976	0	0	0	6	PIN	759
9999431977	0	0	0	2	SHEAVE	759
9999431978	0	0	0	1	PIN	759
9999431983	0	0	0	2	PIN	759
9999431986	0	0	0	2	PIN	755
9999431995	0	0	0	1	PIN	761
9999431996	0	0	0	1	PIN	761
9999432019	0	0	0	1	SLIP RING	421
9999432026	1	1	1	1	FUSE ASSY	511
9999432030	0	0	0	3	PIN	613, 617
9999432039	0	0	1	1	CABLE	585
9999432043	0	0	0	1	PIN	761
9999432056	0	0	1	1	ELBOW	359
9999432060	0	0	0	4	PIN	739
9999432061	0	0	0	2	PIN	749
9999432076	0	1	1	1	CNTRLER	665
9999432093	0	0	1	2	SENSOR	523
9999432094	0	0	1	1	SENSOR	523
9999432099	0	0	0	2	PIN	755
9999432101	0	0	1	1	VALVE ASSY, SOLENOID	397
9999432102	0	0	1	1	VALVE ASSY, SOLENOID	391
9999432112	0	0	0	1	HANDLE	753
9999432114	0	0	0	1	PIN	753
9999432130	0	0	0	1	VALVE, STOP	711
9999432135	0	0	1	1	CABLE, CNTRL	465
9999432137	0	0	1	1	BRG, BALL	685
9999432138	0	0	1	1	VALVE ASSY, SOLENOID	103
9999432139	0	1	1	1	BUSHING	121
9999432159	0	0	2	1	SEAT	295
9999432161	0	0	1	1	CABLE	295
9999432162	0	0	1	1	SPRG	295
9999432168	0	0	1	2	VALVE ASSY, SOLENOID	105, 385
9999432169	0	0	1	2	VALVE, SOLENOID	269
9999432170	0	0	1	2	VALVE, SOLENOID	271, 273

From - 9999431870

To - 9999432170

Manitowoc

Recommended Spare Parts List

Appendix C

Part No.	1 Yr	2 Yr	3 Yr	Qty	Description	Page
9999432172	0	0	1	1	SENSOR, TEMP	359
9999432173	4	4	6	3	ELEMENT, FILTER	365
9999432182	0	0	1	2	CABLE	643, 651
9999432183	0	0	1	1	CABLE	647
9999432188	0	0	2	2	O-RING	87, 693
9999432189	0	0	0	1	COUPLING	39
9999432190	0	0	0	1	COUPLING	39
9999432191	0	0	1	1	ELBOW, 90	291
9999432218	0	0	0	6	PIN, SPLIT	479, 483, 487
9999432219	0	0	0	4	PIN	745
9999432220	0	0	0	4	PIN	753
9999432221	0	0	0	8	PIN	743

From - 9999432172

To - 9999432221

Manitowoc

Notes

Manitowoc

Belt and Filter Maintenance List

Appendix D

Part No.	1000 Hrs	2000 Hrs	Qty	Description	Page
9999405345	2	4	2	FILTER, INLINE	115
9999405876	1	1	1	STRAINER	359
9999424323	2	4	1	FILTER	371
9999429496	2	4	2	FILTER, LINE	369
9999430023		1	1	BAND	661
9999431073	2	4	2	ELEMENT, FILTER HYD TANK	359
9999432173	2	4	3	ELEMENT, FILTER	365

From - 9999405345

To - 9999432173

Manitowoc

Notes

Manitowoc

Foot Note Index

Appendix E

Foot Note	Description
-	THIRD REPAIR KIT AND/OR PART OF 3RD KIT
!	SUB ASSY AND/OR PART OF SUB ASSY
#	SERVICED AS AN ASSEMBLY ONLY
\$	FIFTH REPAIR KIT
%	SEE NOTE AT END OF LIST
&	SIXTH REPAIR KIT
(4TH SUB ASSY AND/OR PART OF 4TH SUB ASSY
)	5TH SUB ASSY AND/OR PART OF 5TH SUB ASSY
*	REPAIR KIT AND/OR PART OF KIT
/	2ND SUB ASSY AND/OR PART OF 2ND SUB ASSY
@	SECOND REPAIR KIT AND/OR PART OF 2ND KIT
^	3RD SUB ASSY AND/OR PART OF 3RD SUB ASSY
{	6TH SUB ASSY AND/OR PART OF 6TH SUB ASSY
}	7TH SUB ASSY AND/OR PART OF 7TH SUB ASSY
~	SEE ALLISON DEALER FOR REPAIR PARTS
+	SEE FURTHER BREAKDOWN THIS GROUP
<	FOURTH REPAIR KIT AND/OR PART OF 4TH KIT
=	REFER TO MCI FOR APPLICABLE NUMBER
>	REFER TO MCI FOR BREAKDOWN LOCATION

