

PK 12502 SH

PALANGER

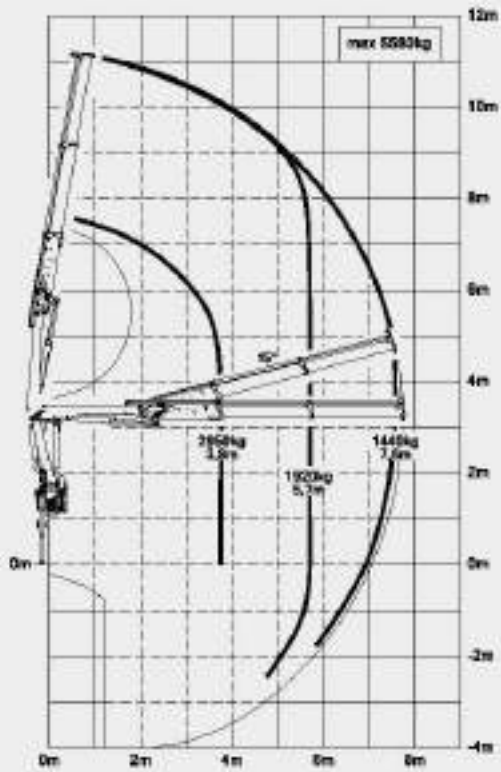
LIFETIME EXCELLENCE

**HIGH VARIETY OF USES GUARANTEE
HIGHEST EFFICIENCY A CRANE'S ENTIRE
LIFETIME.**

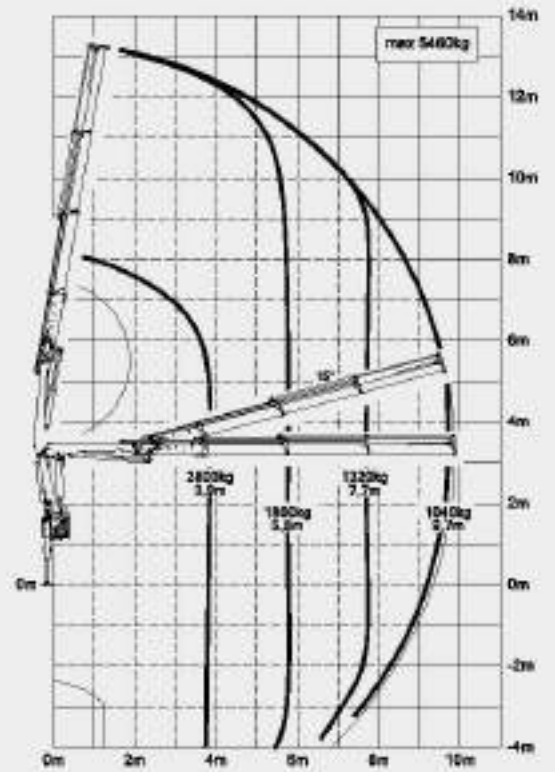


PK 12502 SH HIGH PERFORMANCE

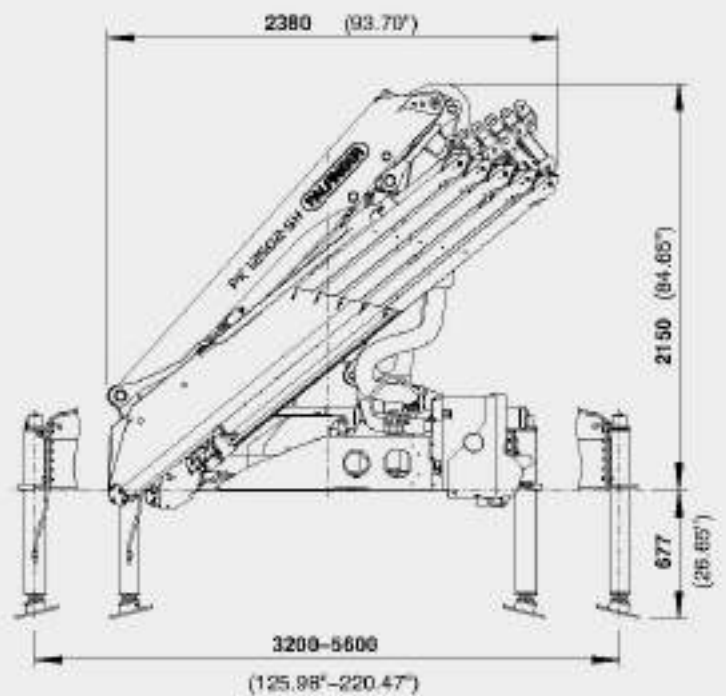
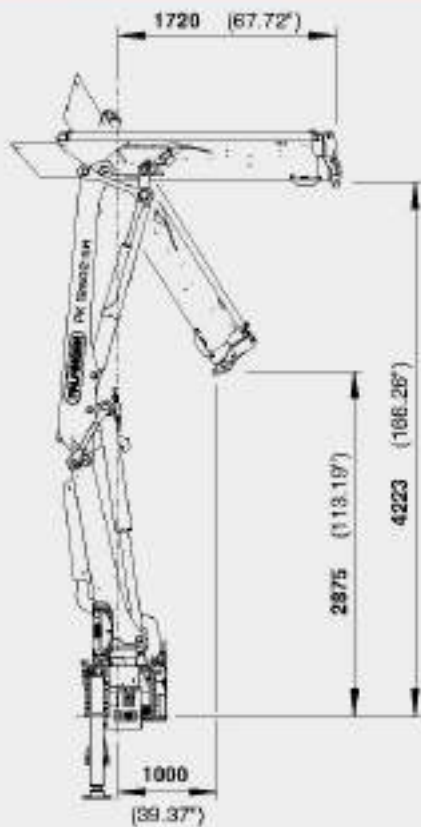
A



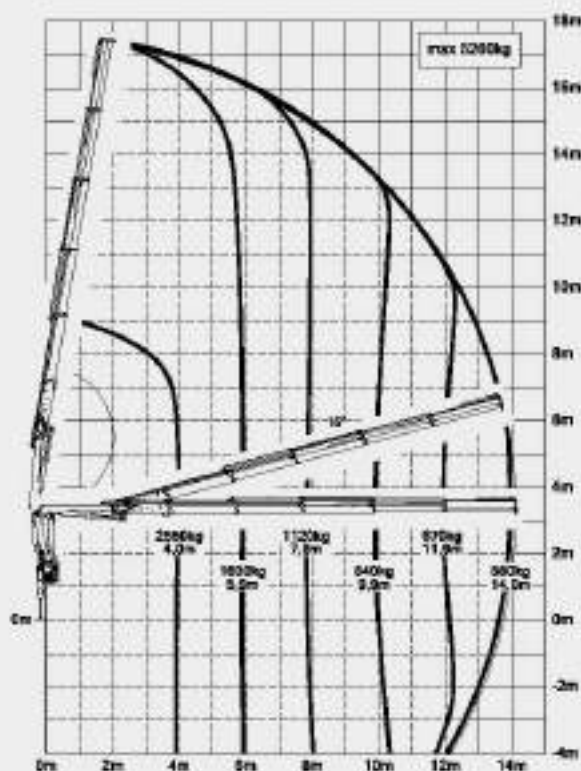
B



DIMENSIONS



D

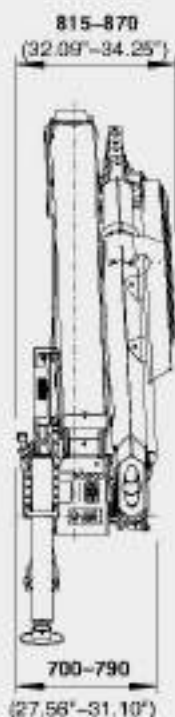


- Higher payloads due to intelligent lightweight design
- More lifting power due to S-HPLS
- Additional applications due to Power Link Plus
- Practical and attractive due to Functional Design
- High value retention due to KTL coating



TECHNICAL SPECIFICATIONS (EN 12999 HC1 HD5/B3)

Max. lifting moment	11.4 mt/112.0 kNm	82600 ft. lbs
Max. lifting capacity	5700 kg/55.9 kN	12570 lbs
Max. hydraulic outreach	14.1 m	46' 3"
Max. manual outreach	16.1 m	52' 10"
Slewing angle	400°	
Slewing torque	1.3 mt/12.7 kNm	9370 ft. lbs
Stabilizer spread	std. 3.2 m/10' 6"	max. 5.6 m/18' 4"
Fitting space required (std.)	0.70 m	2' 4"
Width folded	2.38 m	7' 10"
Max. operating pressure	355 bar	5293 psi
Recommended pump capacity	from 45 l/min	11.9 US gal./min
	to 60 l/min	15.9 US gal./min
Dead weight (std.)	1160 kg	2557 lbs



* Optional features / country-specific equipment

PALFINGER LOADER CRANES ARE CONVINCING DUE TO THEIR SUPERIOR LIFE-CYCLE PERFORMANCE. THEY ARE THE MOST ECONOMICAL AND ALSO THE MOST RELIABLE OVER THE ENTIRE PRODUCT LIFE. FROM SOLUTION FINDING TO RESALE.

➤ **BETTER SOLUTIONS**

➤ **HIGHER VALUE RETENTION**

➤ **BETTER EFFICIENCY**

➤ **BETTER ECOLOGY**



➤ **BETTER ERGONOMICS**

LIFETIME EXCELLENCE

➤ **HIGHER SERVICEABILITY**

➤ **HIGHER AVAILABILITY**

➤ **MORE RELIABILITY**

For further information please visit: www.palfinger.com/thebrand

PK 19502

High Performance

PALFINGER CRANE



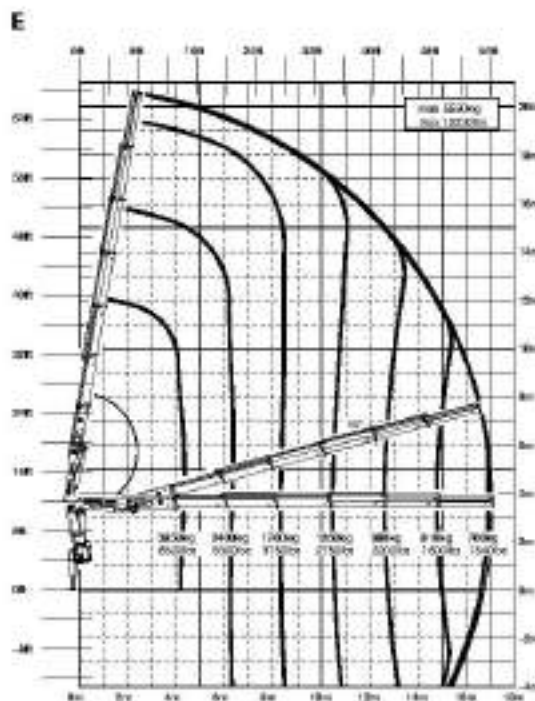
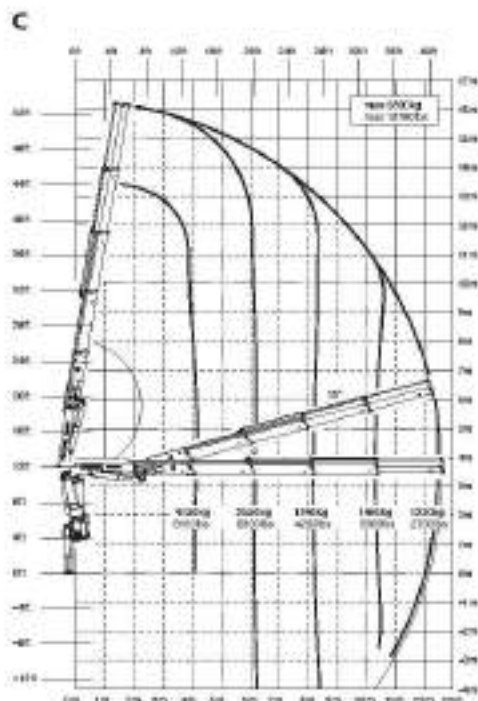
Cost-efficient Crane Technology

The PK 19502 is impressive due to its flexible use and high cost efficiency. Its compact transport dimensions together with a low dead weight makes it a sought-after helpmate in many sectors. Experienced operators appreciate its large stabilizer width and optimized design concept.

Combined with the new PALFINGER standing platform control system, the PK 19502 is convenient and comfortable to control.

<https://cranemanuals.com>

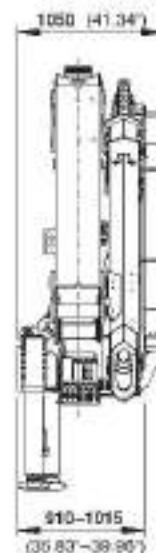
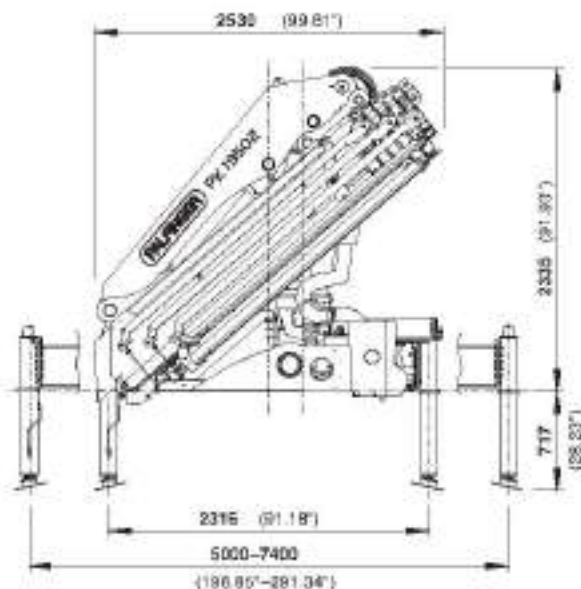
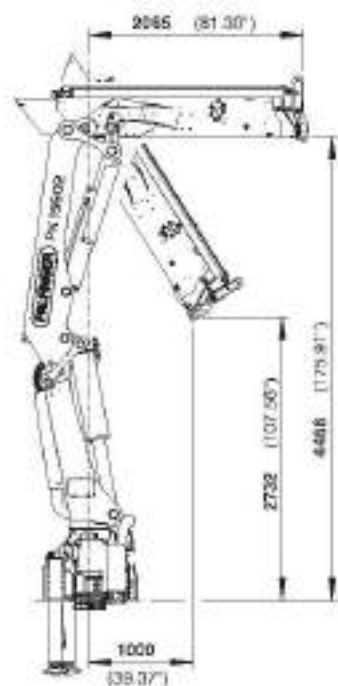
PK 19502 High Performance



Technical Specifications (EN 12999 HC1 HD4/B3)

Max. lifting moment	18.8 mt/184.0 kNm	135700 ft. lbs.
Max. lifting capacity	6100 kg/59.8 kN	13440 lbs
Max. hydraulic outreach	17.1 m	56' 1"
Max. manual outreach	19.1 m	62' 8"
Slewing angle	400 °	
Slewing torque	2.3 mt/22.6 kNm	16640 ft. lbs.

Stabilizer spread	std. 5.0 m/16' 5"	max. 7.4 m/24' 3"
Fitting space required (std.)	0.91 m	2' 12"
Width folded	2.53 m	8' 4"
Max. operating pressure	320 bar	4640 psi
Recommended pump capacity	from 45 l/min	11.9 US gal./min
	to 65 l/min	17.2 US gal./min
Dead weight (std.)	2391 kg	5270 lbs



PK 48002-EH

High Performance

PALFINGER CRANE



KTL

**Paltronic
50**

RRC

Radio Remote Control

AOS

Automatic Overload System

HPSC

Hydraulic Pressure Control

Maximum functionality and flexibility

The PK 48002 EH impresses by virtue of its perfect combination of electronics and hydraulics.

Its Power Link Plus double linkage system with 15 degree reverse linkage knuckle boom is a guarantee for maximum performance when it comes to power and maneuverability.

With electronic HPLS, excellent control valve technology and radio remote control as standard, it becomes the perfect crane for delicate heavy-duty assignments. Its range of applications is hugely extended when combined with a fly jib.

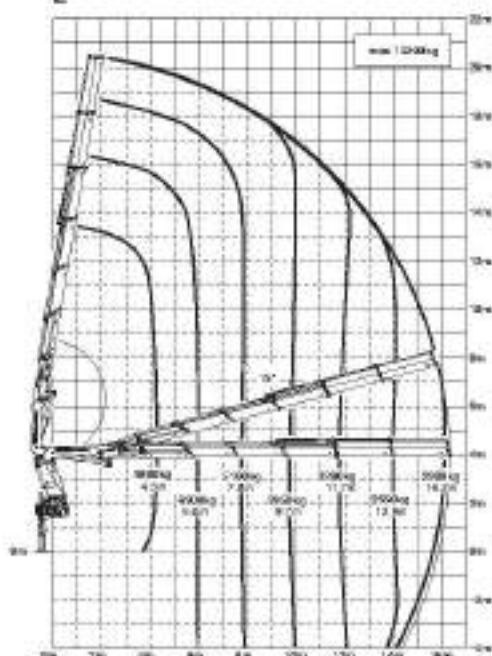
<https://cranemanuals.com>

Versatility
is its strength

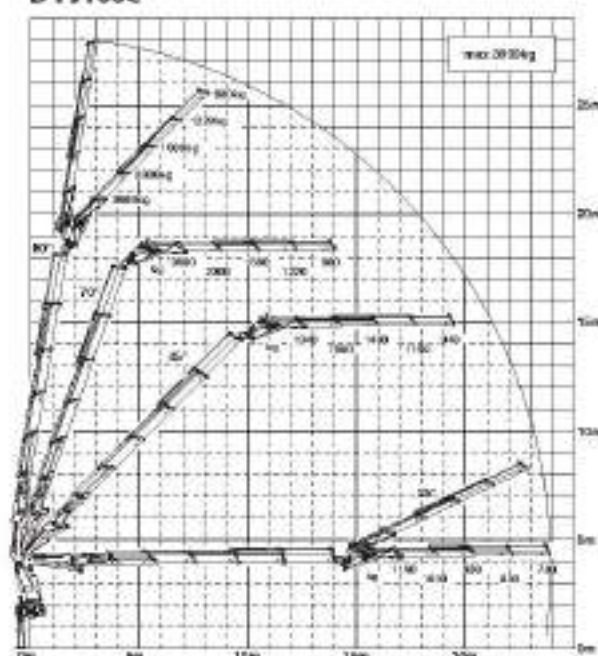
PALFINGER
K. HUBER & CO. AG

PK 48002-EH High Performance

E



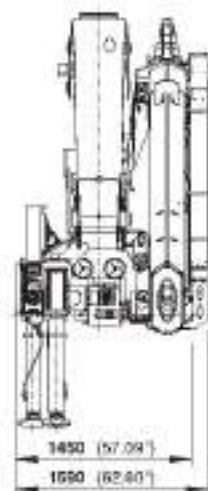
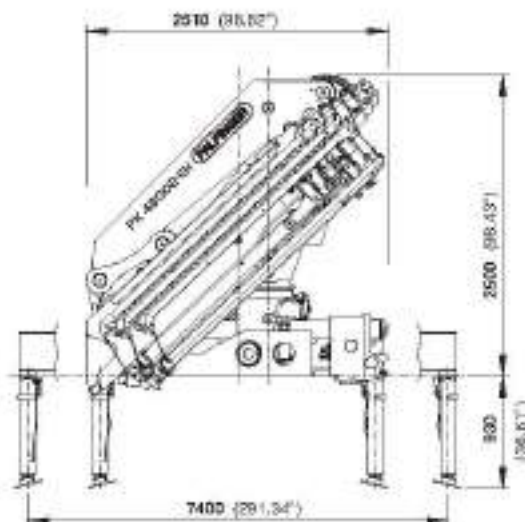
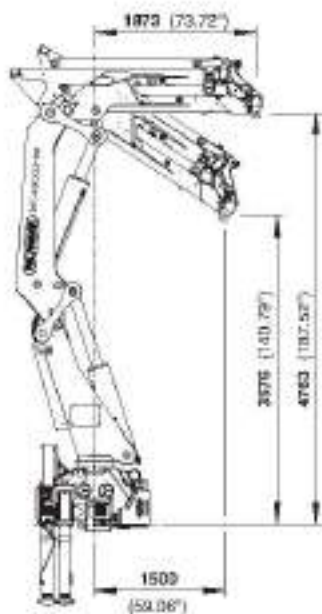
D PJ100C



Technical Specifications (EN 12999 HC1 HD4/B3)

Max. lifting moment	46.5 m ² /456.3 kNm
Max. lifting capacity	18300 kg/179.5 kN
Max. hydraulic outreach	16.3 m
Max. manual outreach	23.3 m
Outreach (w/ fly jib)	30.2 m
Slewing angle	400°
Slewing torque	5.5 m ² /54.0 kNm

Stabilizer spread (std.)	7.4 m
Fitting space required	min. 1.45 m/max. 1.59 m
Width folded	2.51 m
Max. operating pressure	350 bar
Recommended pump capacity	from 80 l/min to 100 l/min
Dead weight (std.)	4420 kg



PK 8501 / PK 9001-EH

High Performance

PALFINGER CRANE



KTL

**Paltronic
50**

RRC

Radio Remote Control

ISC

Integrator Stability Control

AOS

Active Roll-over Protection

Huge operating range opens up new possibilities

<https://cranemanuals.com>

Excellent for the municipal sector

The PK 8501 combines its maintenance-free extension system with up to 5 hydraulic boom extensions and an outreach of up to 14 meters (45'11"). The "Electronic High Power Lifting System" (E-HPLS) of the PK 9001 EH increases the lifting power and reduces the working speed as required.



Versatility sets new standards



Perfect for demanding routine work



Knuckle joint on knuckle boom

The knuckle joint significantly improves the crane's motion geometry.



Maintenance-free extension system

With the maintenance-free extension system PALFINGER sets a clear path in easy servicing. The use of sliding elements made of special plastic in combination with the proven KTL cathodic dip painting means that the extension boom system no longer has to be serviced by the operator. This not only saves time and expense but also protects the environment.



Control console

All important information about the crane can be seen on the main control stand. A digital indicator counts and displays the operating hours. Ergonomic control levers and the optional lighting package provide increased safety and comfort even in poor visibility conditions.



Lighting package (optional)

The control stand is supplied on request with LED illumination and backlit symbols. LED warning lights are fitted on the outriggers to provide better visibility.



Functional Design

Functional Design elements increase working comfort, protect against damage and make servicing and maintenance easier. The spiral tube hose optimally protects the hydraulic hoses from environmental influences, damage and dirt.



Radio remote control

Radio remote control with digital data transmission (standard on EH models) offers maximum efficiency and comfort. The display integrated in the handset informs the crane operator continuously about the current capacity loading level of the crane.



PALTRONIC 50

Modern electronics in the increasingly complex crane system offers safety and comfort functions which make the crane operator's work easier and increases the efficiency of the crane job.

Increased lifting power and stiffness of the boom system

Outrigger system

All the outriggers are fitted as standard with a ball-jointed support plate that can be swivelled through 10°. This enables them to adapt optimally to the ground. The enlarged plate also reduces the pressure on the ground. The PK 8501 and 9001 EH High Performance fit onto all standard truck chassis frames. Three outrigger widths are available: 3.2 m, 10'6" (mechanical), 4.9 m, 16'1" (mechanical or hydraulic) and 5.6 m, 18'4" (hydraulic).



Load-holding valve

They prevent the crane boom from dropping and are fitted as standard on all slewing, lifting, knuckle-boom and extension cylinders. The valves are positioned in such a way that they are protected against damage.



Hose equipment for auxiliary equipment

Hoses providing oil supply for auxiliary equipment are routed in compact trays and protective chains. A clean design offers maximum service life.



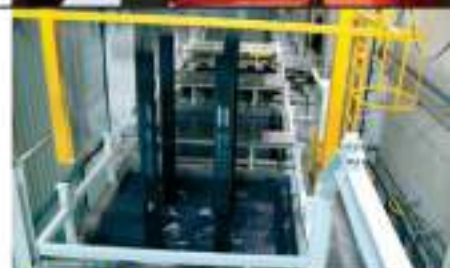
Return oil utilisation

The high speed of the extension system is impressive. It results from return oil utilisation, which is installed as standard, and the generously dimensioned hydraulic lines. This increases efficiency in all types of applications!



KTL – the cathodic dip painting

The shot-blasted crane parts are covered in zinc phosphate in an immersion process and coated electro-statically. The subsequent two-component top coating of paint provides a surface protection which in the past was usually only found in the automotive industry.



ISC (optional)*

The integrated stability control (ISC) is a system that monitors the stability of the crane vehicle. The system adjusts the crane's lifting forces depending on the current stability support situation and the crane boom to ensure the vehicle's stability over the entire working area.

* ISC or an alternative system for monitoring stability is mandatory in the version compliant with EN12955:2009.



AOS (optional)

The Active Oscillation Suppression system available exclusively from PALFINGER compensates for jolts and sharp stress cycles caused by crane operation. Because oscillations are eradicated the crane can work with precision, much faster and therefore more cost-efficiently.



PK 8501 High Performance

Max. lifting capacities

STD

Max. lifting capacities	5400 kg	11900 lbs
Outreach	Capacity	
hydraulic		
3.5 m 11' 6"	2200 kg	4850 lbs
5.4 m 17' 9"	1480 kg	3170 lbs

A

Max. lifting capacities	5200 kg	11460 lbs
Outreach	Capacity	
hydraulic		
3.6 m 11' 10"	2100 kg	4630 lbs
5.5 m 18' 1"	1340 kg	2950 lbs
7.4 m 24' 3"	1000 kg	2200 lbs

B

Max. lifting capacities	5000 kg	11020 lbs
Outreach	Capacity	
hydraulic		
3.7 m 12' 2"	2000 kg	4410 lbs
5.6 m 18' 4"	1240 kg	2730 lbs
7.5 m 24' 7"	900 kg	1980 lbs
9.5 m 31' 2"	700 kg	1540 lbs
manual		
11.7 m 38' 5"	520 kg	1150 lbs
13.7 m 44' 11"	410 kg	900 lbs

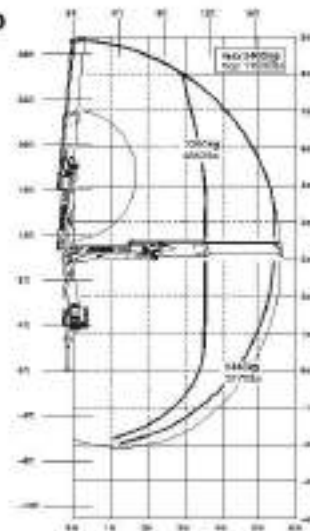
C

Max. lifting capacities	4900 kg	10800 lbs
Outreach	Capacity	
hydraulic		
3.8 m 12' 6"	1880 kg	4140 lbs
5.7 m 18' 8"	1140 kg	2510 lbs
7.6 m 24' 11"	800 kg	1760 lbs
9.6 m 31' 6"	600 kg	1320 lbs
11.6 m 38' 1"	480 kg	1060 lbs
manual		
13.6 m 44' 7"	380 kg	840 lbs
15.6 m 51' 2"	300 kg	660 lbs

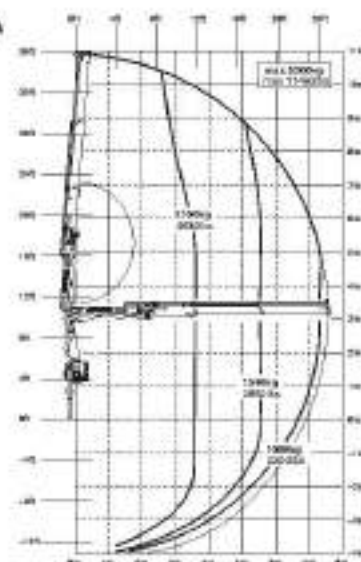
D

Max. lifting capacities	4800 kg	10580 lbs
Outreach	Capacity	
hydraulic		
3.9 m 12' 10"	1760 kg	3880 lbs
5.8 m 19' 0"	1060 kg	2340 lbs
7.7 m 25' 3"	710 kg	1570 lbs
9.7 m 31' 10"	510 kg	1120 lbs
11.7 m 38' 5"	400 kg	880 lbs
13.7 m 44' 11"	320 kg	710 lbs
manual		
15.7 m 51' 6"	260 kg	570 lbs

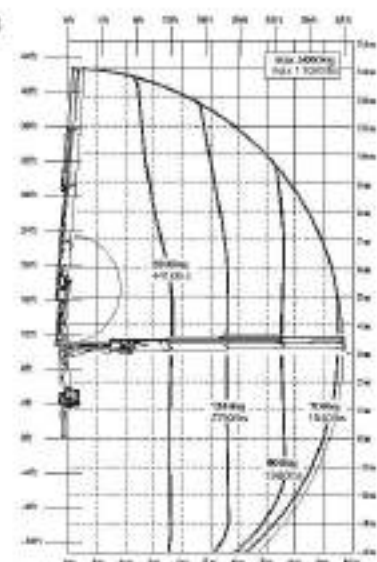
STD



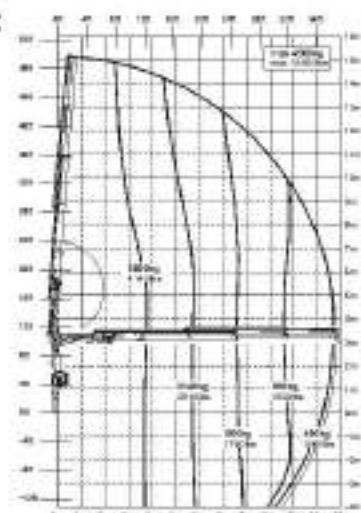
A



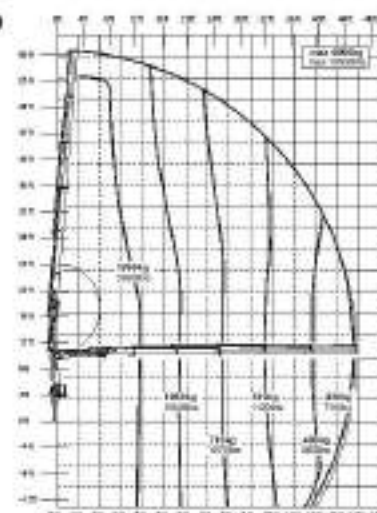
B



C



D



The outreaches stated are with a boom angle of 20° and are therefore not the maximum.

PK 9001 EH High Performance



Package model PK 9001 EH:

- E-HPLS
- Paltronic 50
- Radio remote control with LED display
- Danfoss control valve or PVG2000
- 8.5 kW oil cooler
- 100 l oil tank

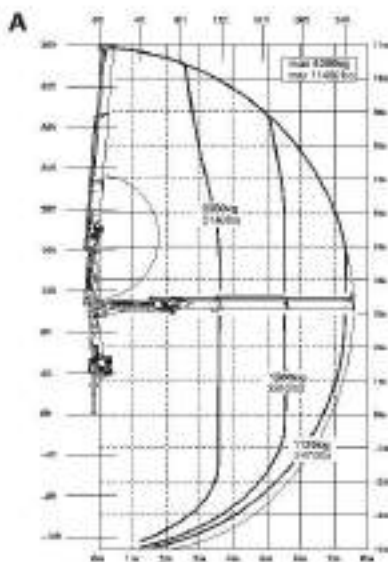
Max. lifting capacities

STD

Max. lifting capacities	5400 kg	11900 lbs
Outreach	Capacity	
hydraulic		
3.5 m	11' 6"	2450 kg 5400 lbs
5.4 m	17' 9"	1600 kg 3530 lbs

A

Max. lifting capacities	5200 kg	11460 lbs
Outreach	Capacity	
hydraulic		
3.6 m	11' 10"	2350 kg 5180 lbs
5.5 m	18' 1"	1500 kg 3310 lbs
7.4 m	24' 3"	1120 kg 2470 lbs

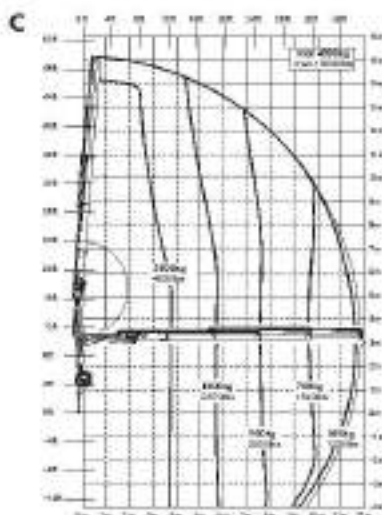


B

Max. lifting capacities	5000 kg	11020 lbs
Outreach	Capacity	
hydraulic		
3.7 m	12' 2"	2200 kg 4850 lbs
5.6 m	18' 4"	1400 kg 3090 lbs
7.5 m	24' 7"	1020 kg 2250 lbs
9.5 m	31' 2"	780 kg 1720 lbs
manual		
11.7 m	38' 5"	600 kg 1320 lbs
13.7 m	44' 11"	470 kg 1040 lbs

C

Max. lifting capacities	4900 kg	10800 lbs
Outreach	Capacity	
hydraulic		
3.8 m	12' 6"	2100 kg 4630 lbs
5.7 m	18' 8"	1300 kg 2870 lbs
7.6 m	24' 11"	920 kg 2030 lbs
9.6 m	31' 6"	700 kg 1540 lbs
11.6 m	38' 1"	560 kg 1230 lbs
manual		
13.6 m	44' 7"	440 kg 970 lbs
15.6 m	51' 2"	350 kg 770 lbs



D

Max. lifting capacities	4800 kg	10580 lbs
Outreach	Capacity	
hydraulic		
3.9 m	12' 10"	2000 kg 4410 lbs
5.8 m	19' 0"	1200 kg 2650 lbs
7.7 m	25' 3"	830 kg 1830 lbs
9.7 m	31' 10"	600 kg 1320 lbs
11.7 m	38' 5"	470 kg 1040 lbs
13.7 m	44' 11"	380 kg 840 lbs
manual		
15.7 m	51' 6"	300 kg 660 lbs

Cost-effective
and flexible

© 2014 Palfinger AG
L. 14.170.1 - 10.000.00001

PK 8501 High Performance

Technical Specifications (EN 12999 HC1 HD4/B3)

Max. lifting moment	7.8 mt/9.8 kNm	56440 ft.lbs
Max. lifting capacity	5700 kg/55.9 kN	12570 lbs
Max. hydraulic outreach	14.0 m	45' 11"
Max. manual outreach	16.0 m	52' 6"
Slewing angle	400°	
Slewing torque	1.0 mt/9.8 kNm	7240 ft.lbs
Stabilizer spread	std. 3.2 m/10' 6"	max. 5.6 m/18' 4"
Fitting space required (std.)	0.69 m	2' 3"
Width folded	2.32 m	7' 7"
Max. operating pressure	320 bar	4640 psi
Recommended pump capacity	from 25 l/min	6.6 US gal./min
	to 35 l/min	9.2 US gal./min
Dead weight (std.)	1022 kg	2250 lbs

PK 9001 EH High Performance

Technical Specifications (EN 12999 HC1 HD4/B3)

Max. lifting moment	8.7 mt/85.3 kNm	62950 ft.lbs
Max. lifting capacity	5700 kg/55.9 kN	12570 lbs
Max. hydraulic outreach	14.0 m	45' 11"
Max. manual outreach	16.0 m	52' 6"
Slewing angle	400°	
Slewing torque	1.0 mt/9.8 kNm	7240 ft.lbs
Stabilizer spread	std. 3.2 m/10' 6"	max. 5.6 m/18' 4"
Fitting space required (std.)	0.69 m	2' 3"
Width folded	2.32 m	7' 7"
Max. operating pressure	350 bar	5075 psi
Recommended pump capacity	from 40 l/min	10.6 US gal./min
	to 50 l/min	13.2 US gal./min
Dead weight (std.)	1047 kg	2310 lbs

