



Chapitre 8

Diagram



TABLE OF CONTENTS

Diagrams

DESCRIPTION	PAGES
Electric diagram	
CR 108332B	3 to 123
Pneumatic diagrams AC40/2 - AC40/2L	
CR107888.....	124
CR107889.....	125
Hydraulic diagrams AC40/2L	
CR107903I Telescopic cylinder MONTAN	126
CR108062H Telescopic cylinder IOTTI	127
Hydraulic diagrams AC40/2	
CR 107972C Telescopic cylinder MONTAN.....	128
Hydraulic diagrams AC40/2 option air-conditioning upper	
CR108136A	129
Hydraulic extension diagram	
CR108242A	130
Hydraulic diagram Auxiliary winch	
CR108011.....	131
Hydraulic diagram EPS02279	
CR108037A	132
Hydraulic diagram Auxiliary winch - simultaneous dual-winch	
CR108120A	133
Hydraulic diagram Block 4V2P	
CR108318.....	134
Hydraulic diagram SPS Severe Cold Option	
CR108405B IOTTI Telescopic cylinder	135
CR108406B MONTAN Telescopic cylinder.....	136

PAGE	IND	FUNCTIONS	LOCATION
1	B	COVER SHEET	
2	B	COVER SHEET	
3	B	COVER SHEET	
4	B	BATTERIES / ENGINE STARTING / ALTERNATOR CHARGE	CARRIER
5	B	ENGINE SHUT-DOWN / STARTING / IGNITION SWITCH	CARRIER
6	B	CARRIER CAB GROUND	CARRIER
7	B	CARRIER CAB FUSES BEFORE IGNITION	CARRIER
8	B	CARRIER CAB FUSES AFTER IGNITION	CARRIER
9	B	BR2 / 16 RELAYS BOARD	CARRIER
10	B	BR3 / 16 RELAYS BOARD	CARRIER
11	B	ADM UNIT POWER / THROTTLE / EXHAUST BRAKE	CARRIER
12	B	TACHOGRAPH / TACHOMETER / SPEEDOMETER / BRAKE GAUGE	CARRIER
13	B	STEERING WARN LIGHTS / ENGINE-GEAR BOX-BRAKE-FUEL GAUGES	CARRIER
14	B	ENGINE SHUT-DOWN / EMERGENCY SHUT-DOWN / CHOKE	CARRIER
15	B	ZF ELECTRICAL LOOM POWER / TURRET AND CARRIER GEAR NEUTRAL	CARRIER
16	B	6WG 210 / ZF TRANSMISSION	CARRIER
17	B	BLINKERS	CARRIER
18	B	PARKING LIGHTS	CARRIER
19	B	HORN / LOW BEAMS / HIGH BEAMS	CARRIER
20	B	FRONT AND REAR FOG LIGHTS / REVERSE LIGHTS / STOP LIGHTS	CARRIER
21	B	SUSPENSIONS LOCKING-RELEASING	CARRIER
22	B	FRONT AXLE LOCKING-RELEASING	CARRIER
23	B	FRONT AND REAR INTER-WHEELS DIFFERENTIALS	CARRIER
24	B	A.B.S.	CARRIER
25	B	REAR STEERING	CARRIER
26	B	REAR STEERING INVERSION FROM TURRET CAB	CARRIER
27	B	ELECTRIC RETARDER	CARRIER
28	B	MANUAL THROTTLE / OUTRIGGERS PERMISSION	CARRIER
29	B	RIGHT HAND OUTRIGGERS BOX	CARRIER
30	B	LEFT HAND OUTRIGGERS BOX	CARRIER

MODIFICATION MANAGEMENT

IND	MODIF	MODIFICATION TYPE	NOM	DATE	APPLICATION MACHINES
B	11404	AJOUT CEC 3B6 VIEWTECH / AJOUT ZEME GIROPHARE TOURELLE	B.C.	17/12/2007	251419 -->
A	11404	CREATION SERIE	B.C.	15/10/2007	251419 -->

PAGE	IND	FUNCTIONS	LOCATION
31	B	OUTRIGGERS PADS SELECTION	CARRIER
32	B	OUTRIGGERS BEAMS SELECTION	CARRIER
33	B	OUTRIGGERS BEAMS OR PADS RETRACTION / EXTENSION SELECTION	CARRIER
34	B	CW / REAR STEERING / OUTRIGGERS / SUSPENSIONS FLOW	CARRIER
35	B	WINDSCREEN WIPER / WASHER / CEILING LIGHT / RADIO	CARRIER
36	B	ROTATING BEACON / PARKING LIGHTS / CIGAR LIGHTER	CARRIER
37	B	CARRIER-TURRET SELECTION / TURRET STEERING AND AIR SUPPLY	CARRIER
38	B	REMOVABLE COUNTERWEIGHT / TURRET ROTATION FLOW	CARRIER
39	B	FUEL FILTER / AIR DRYER / RED FUEL OPTION	CARRIER
40	B	DEFROST MIRRORS	CARRIER
41	B	AUTOMATIC AND MANUAL LEVELLING	CARRIER
42	B	AUTOMATIC LEVELLING SENSORS	CARRIER
43	B	MANUAL LEVELLING / SUSPENSIONS DOWN	CARRIER
44	B	HEATER / AIR CONDITION	CARRIER
45	B	Z10A AND Z10B CONTROLLERS	CARRIER
46	B	Z11A AND Z11B CONTROLLERS	CARRIER
47	B	Z12A AND Z12B CONTROLLERS	CARRIER
48	B	CAN J1939 DISTRIBUTOR	CARRIER
49	B	REAR LIGHTS	CARRIER
50	B	Z10A AND Z10B LOGICAL RELAYS INPUTS / OUTPUTS	CARRIER
51	B	Z11A AND Z11B LOGICAL RELAYS INPUTS / OUTPUTS	CARRIER
52	B	Z11A AND Z11B LOGICAL RELAYS INPUTS / OUTPUTS	CARRIER
53	B	Z12A AND Z12B LOGICAL RELAYS INPUTS / OUTPUTS	CARRIER
60	B	FUSES BEFORE IGNITION / CAB GROUND / TURRET GROUND	TURRET
61	B	TURRET CAB FUSES AFTER IGNITION	TURRET
62	B	IGNITION / STARTING / ENGINE STOP / OUTRIGGERS PERMISSION	TURRET
63	B	GENERAL WARNING / HYDRAULIC OIL FILTER / GEARS / THROTTLE	TURRET
64	B	SUSPENSIONS / FRONT AXLE	TURRET
65	B	REAR STEERING	TURRET
66	B	OUTRIGGERS BEAMS AND PADS	TURRET



MACHINES

251419 -->

PAGE	IND	FUNCTIONS	LOCATION
67	B	FRONT AND ROOF WINDSCREEN WIPER / WORKING LIGHT	TURRET
68	B	WINDSCREEN WASHER / FAN / RADIO / CEILING LIGHT	TURRET
69	B	HORN / CIGAR LIGHTER / HEATER	TURRET
70	B	ROTATING BEACON / BOOM PARKING LIGHT AND WORKING LIGHT	TURRET
71	B	HYDRAULIC OIL COOLER	TURRET
72	B	COUNTERWEIGHT CONTROL	TURRET
73	B	L.M.I. BX1 CONNECTOR	TURRET
74	B	LMI SAFETY RELAY / LMI OVERRIDE / ANTI TWO BLOCKS	TURRET
75	B	SEAT SAFETY SWITCHES / WINCH DOWN	TURRET
76	B	BOOM HOIST / BOOM TELESCOPE / WINCH UP	TURRET
77	B	AUXILIARY WINCH / ROTATION	TURRET
78	B	TELESCOPE CYLINDER SELECTION	TURRET
79	B	ALL L.M.I. EXCEPT 3B6 VIEW-TECH / 4 SECTIONS BOOM	TURRET
80	B	ALL L.M.I. EXCEPT 3B6 VIEW-TECH / 5 SECTIONS BOOM	TURRET
81	B	PAT DS360C L.M.I. / 4 SECTIONS BOOM	TURRET
82	B	PAT DS360C L.M.I. / 5 SECTIONS BOOM	TURRET
83	B	3B6 MEGACOMP L.M.I. / 4 SECTIONS BOOM	TURRET
84	B	3B6 MEGACOMP L.M.I. / 5 SECTIONS BOOM	TURRET
85	B	3B6 VIEW-TECH L.M.I. / 4 OR 5 SECTIONS BOOM	TURRET
86	B	3B6 VIEW-TECH L.M.I. / 4 OR 5 SECTIONS BOOM	TURRET
87	B	3B6 VIEW-TECH L.M.I. / 4 SECTIONS BOOM	TURRET
88	B	3B6 VIEW-TECH L.M.I. / 4 SECTIONS BOOM	TURRET
89	B	3B6 VIEW-TECH L.M.I. / 5 SECTIONS BOOM	TURRET
90	B	3B6 VIEW-TECH L.M.I. / 5 SECTIONS BOOM	TURRET
91	B	MAIN BOOM-FLYJIB ANTI TWO BLOCK / BOOM HEAD LIGHT	TURRET
92	B	5 SECTIONS BOOM LOGICAL RELAY INPUTS / OUTPUTS	TURRET
93	B	5 SECTIONS BOOM LOGICAL RELAY INPUTS / OUTPUTS	TURRET
94	B	4 SECTIONS BOOM LOGICAL RELAY INPUTS / OUTPUTS	TURRET
100	A	LOADS FABRICATION MEAN FEATURES	
101	B	TURRET LOOM LAYOUT	

PAGE	IND	FUNCTIONS	LOCATION
102	B	TURRET LOOM LAYOUT	
150	B	COMPONENTS PART NUMBER OUT OF CONNECTORS	
151	B	COMPONENTS PART NUMBER OUT OF CONNECTORS	
152	B	COMPONENTS PART NUMBER OUT OF CONNECTORS	
153	B	COMPONENTS PART NUMBER OUT OF CONNECTORS	
154	B	COMPONENTS PART NUMBER OUT OF CONNECTORS	
155	B	COMPONENTS PART NUMBER OUT OF CONNECTORS	
156	B	COMPONENTS PART NUMBER OUT OF CONNECTORS	
157	B	COMPONENTS PART NUMBER OUT OF CONNECTORS	
158	B	COMPONENTS PART NUMBER OUT OF CONNECTORS	
159	B	COMPONENTS PART NUMBER OUT OF CONNECTORS	
160	B	COMPONENTS PART NUMBER OUT OF CONNECTORS	
175	B	CONNECTORS PART NUMBER OUT OF COMPONENTS	
176	B	CONNECTORS PART NUMBER OUT OF COMPONENTS	
177	B	CONNECTORS PART NUMBER OUT OF COMPONENTS	
178	B	CONNECTORS PART NUMBER OUT OF COMPONENTS	
179	B	CONNECTORS PART NUMBER OUT OF COMPONENTS	
180	B	CONNECTORS PART NUMBER OUT OF COMPONENTS	
181	B	CONNECTORS PART NUMBER OUT OF COMPONENTS	
182	B	CONNECTORS PART NUMBER OUT OF COMPONENTS	
183	B	CONNECTORS PART NUMBER OUT OF COMPONENTS	
200	B	BULBS PART NUMBER	
300	B	CARRIER CONNECTORS LOCATION	CARRIER
301	B	CARRIER CONNECTORS LOCATION	CARRIER
302	B	CARRIER CONNECTORS LOCATION	CARRIER
303	B	CARRIER CONNECTORS LOCATION	CARRIER
304	B	CARRIER CONNECTORS LOCATION	CARRIER
305	B	TURRET CONNECTORS LOCATION	TURRET
306	B	CARRIER CAB FUSES AND CONNECTORS LOCATION	CARRIER
307	B	BR2 / '16 RELAYS BOARD	CARRIER

MODIFICATION MANAGEMENT

IND	MODIF	MODIFICATION TYPE	NOM	DATE



ETUDE : 1426
E.P.S :
MACHINE : 251419 -->

DOSSIER ELECTRIQUE MACHINE
GENERAL ELECTRIC FILE

PAGE DE GARDE
COVER SHEET

INDICE : B
Dessinateur : B.C.
Date : 16/10/2006

AC4012 - AC40/2L
Verificateur : RP
Date : 17/12/2007
PAGE : 2

1 2 3 4 5 6 7 8 9 10 11 12 13 14 15 16 17 18 19 20 21 22 23 24 25 26 27 28 29 30 31 32 33 34 35 36 37 38 39 40 41

(PAGES INDEX)

PAGE	IND	FUNCTIONS	LOCATION
308	B	BR3 / 16 RELAYS BOARD	CARRIER

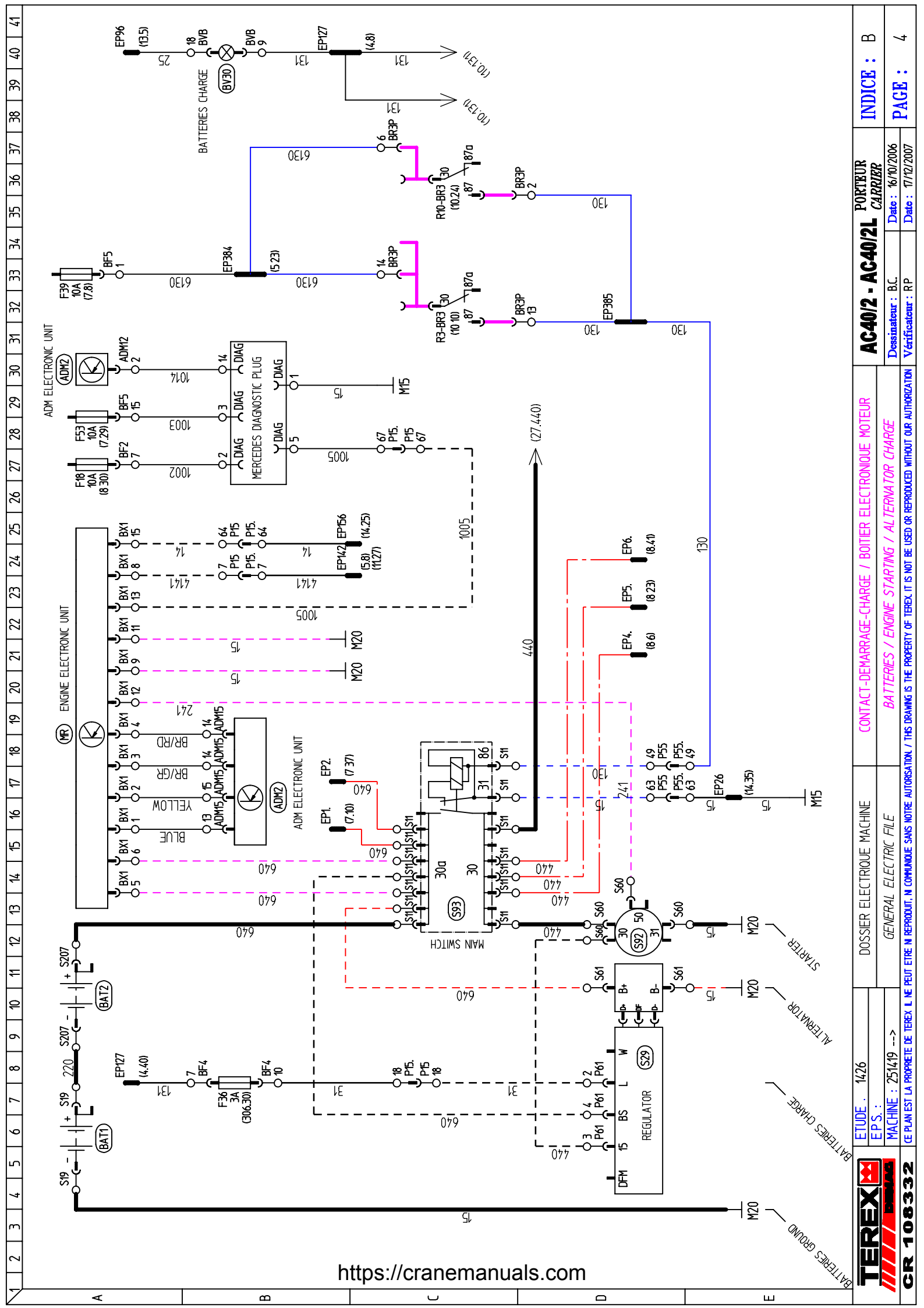
PAGE	IND	FUNCTIONS	LOCATION

(MODIFICATION MANAGEMENT)

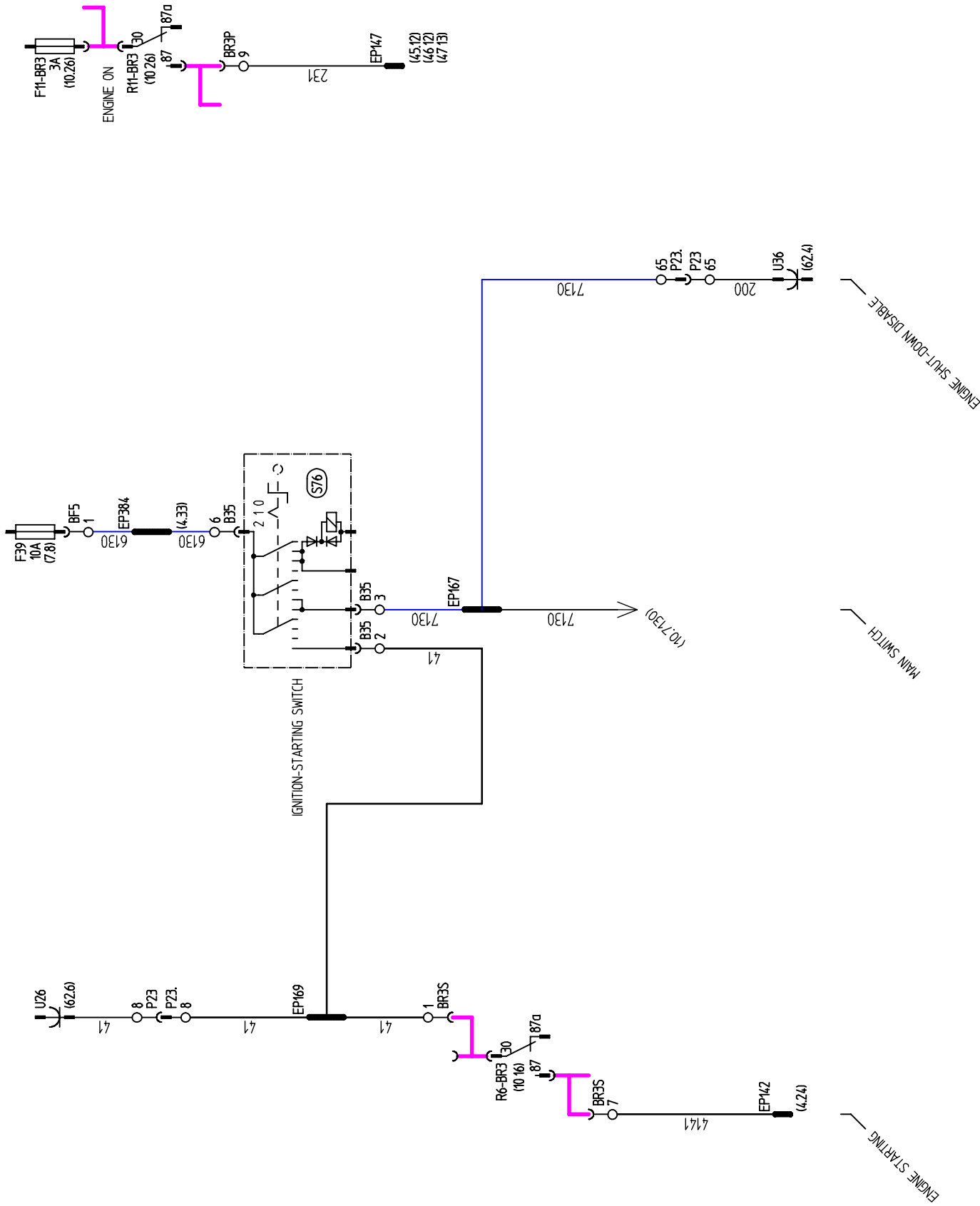
IND	MODIF	MODIFICATION TYPE	NOM	DATE



CE PLAN EST LA PROPRETE DE TEREX L NE PEUT ETRE NI REPRODUIT, NI COMMUNIQUE SANS NOTRE AUTORISATION / THIS DRAWING IS THE PROPERTY OF TEREX IT IS NOT BE USED OR REPRODUCED WITHOUT OUR AUTHORIZATION



<https://cranemanuals.com>



ETUDE : 1426
 E.P.S. :
 MACHINE : 251419 -->

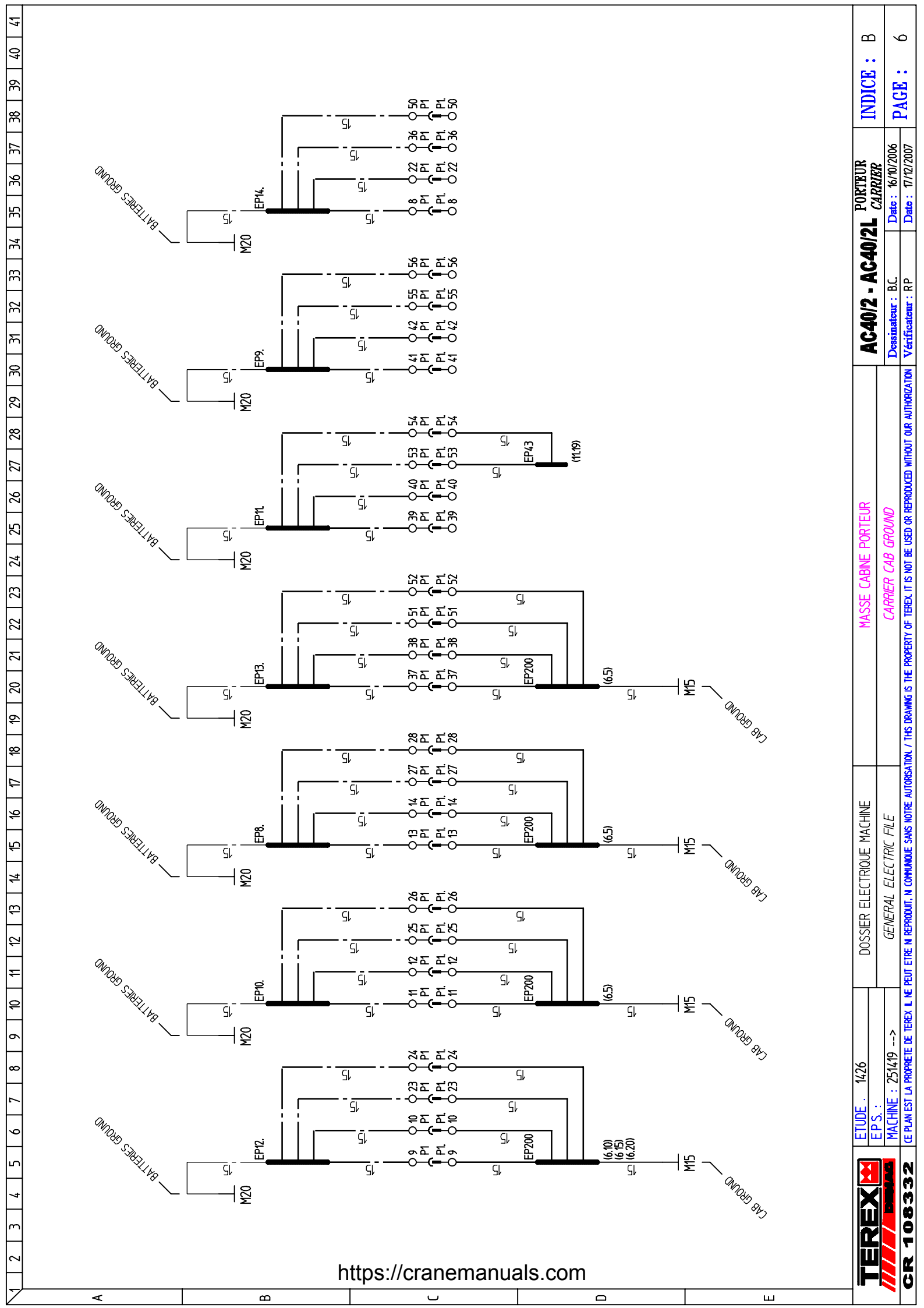
DOSSIER ELECTRIQUE MACHINE
 GENERAL ELECTRIC FILE

COMPUTEUR CONTACT-DEMARRAGE-ARRET MOTEUR
 ENGINE SHUT-DOWN / STARTING / IGNITION SWITCH

AC40/2 - AC40/2L PORTEUR CARRIER
 Dessinateur : B.C. Date : 16/10/2006
 Verificateur : RP Date : 17/12/2007

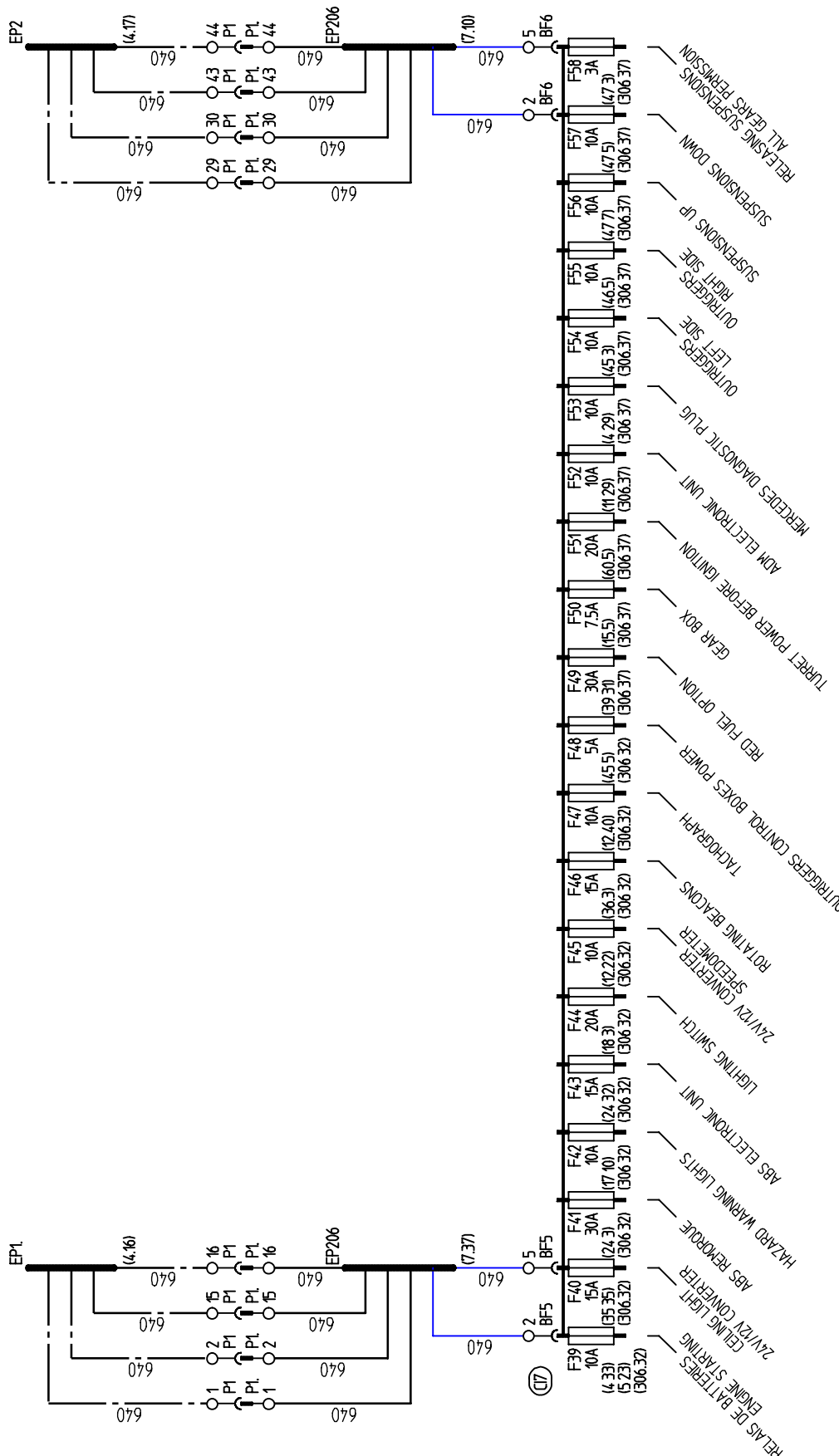
1 2 3 4 5 6 7 8 9 10 11 12 13 14 15 16 17 18 19 20 21 22 23 24 25 26 27 28 29 30 31 32 33 34 35 36 37 38 39 40 41

A B C D E



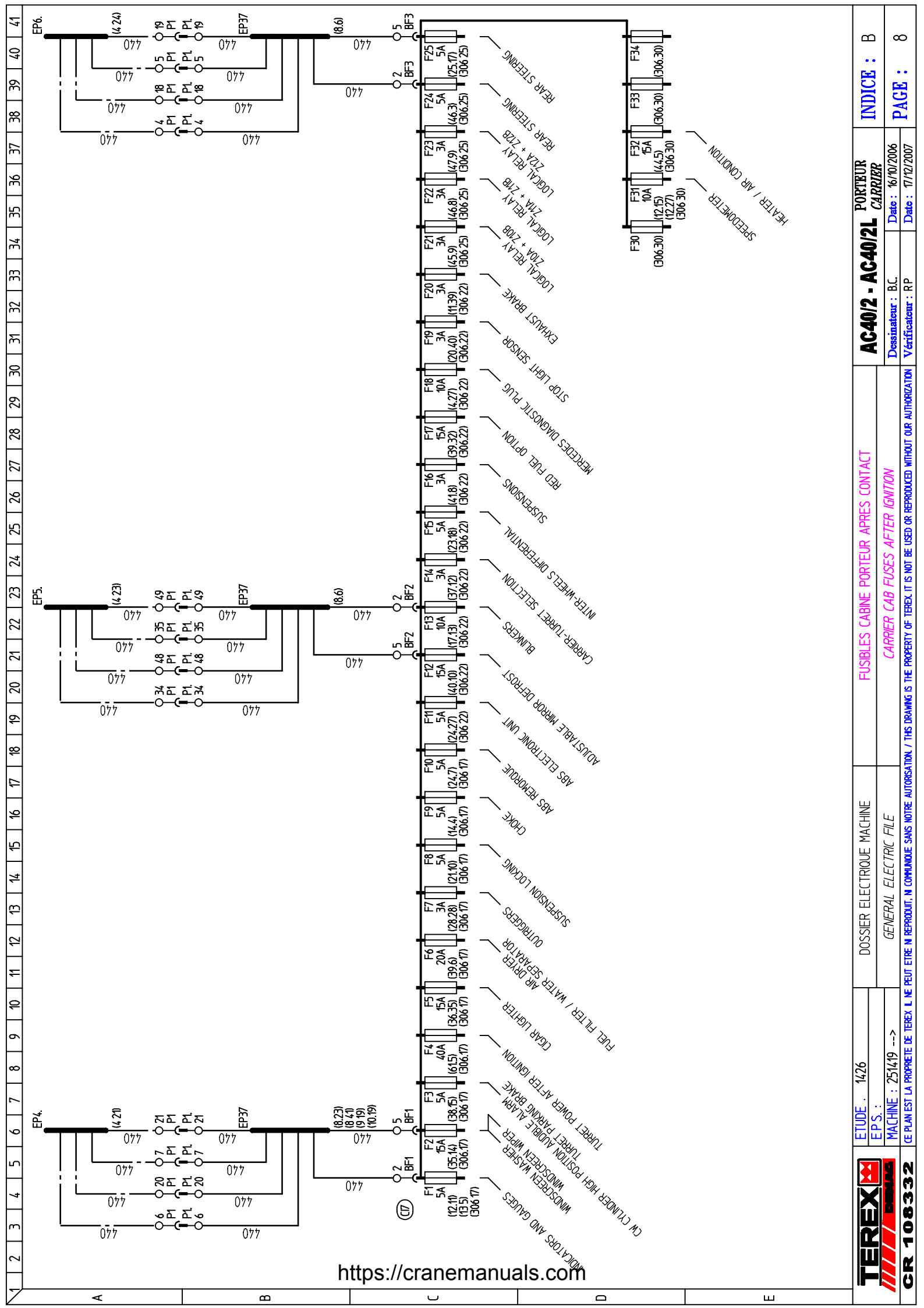
<https://cranemanuals.com>

	ETUDE : 1426	DOSSIER ELECTRIQUE MACHINE	MASSE CABINE PORTEUR	PORTEUR	INDICE : B
	E.P.S. :	GENERAL ELECTRIC FILE	CARRIER CAB GROUND	CARRIER	
	MACHINE : 251419 -->			Date : 16/10/2006	PAGE : 6
	CE PLAN EST LA PROPRETE DE TEREX. IL NE PEUT ETRE REPRODUIT, NI COMMUNIQUE SANS NOTRE AUTORISATION. / THIS DRAWING IS THE PROPERTY OF TEREX. IT IS NOT BE USED OR REPRODUCED WITHOUT OUR AUTHORIZATION			Date : 17/12/2007	
CR 108332					



<https://cranemanuals.com>

	ETUDE : 1426	DOSSIER ELECTRIQUE MACHINE	AC40/2 - AC40/2L PORTEUR CARRIER	INDICE : B
	E.P.S. : MACHINE : 251419 -->	GENERAL ELECTRIC FILE		Dessinateur : B.C. Verificateur : RP
CE PLAN EST LA PROPRIETE DE TEREX. IL NE PEUT ETRE NI REPRODUIT, NI COMMUNIQUE SANS NOTRE AUTORISATION. / THIS DRAWING IS THE PROPERTY OF TEREX. IT IS NOT BE USED OR REPRODUCED WITHOUT OUR AUTHORIZATION				



<https://cranemanuals.com>



CR 108332

ETUDE : 1426
 E.P.S. :
 MACHINE : 251419 -->

DOSSIER ELECTRIQUE MACHINE
 GENERAL ELECTRIC FILE

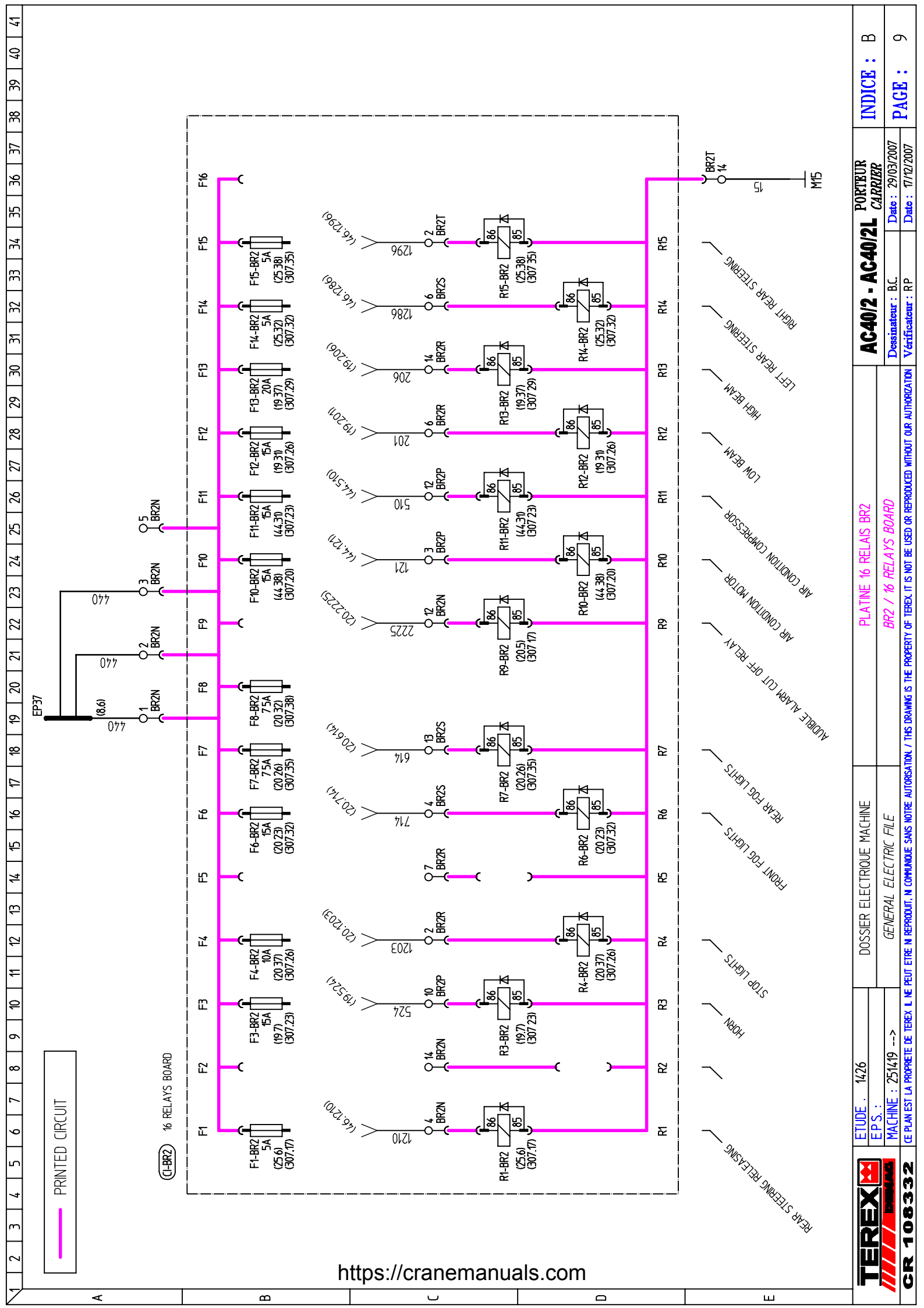
FUSIBLES CABINE PORTEUR APRES CONTACT
 CARRIER CAB FUSES AFTER IGNITION

AC40/2 - AC40/2L PORTEUR CARRIER
 Dessinateur : B.C. Date : 16/10/2006
 Verificateur : R.P. Date : 17/12/2007

INDICE : B
 PAGE : 8

1 2 3 4 5 6 7 8 9 10 11 12 13 14 15 16 17 18 19 20 21 22 23 24 25 26 27 28 29 30 31 32 33 34 35 36 37 38 39 40 41

A B C D E



PRINTED CIRCUIT

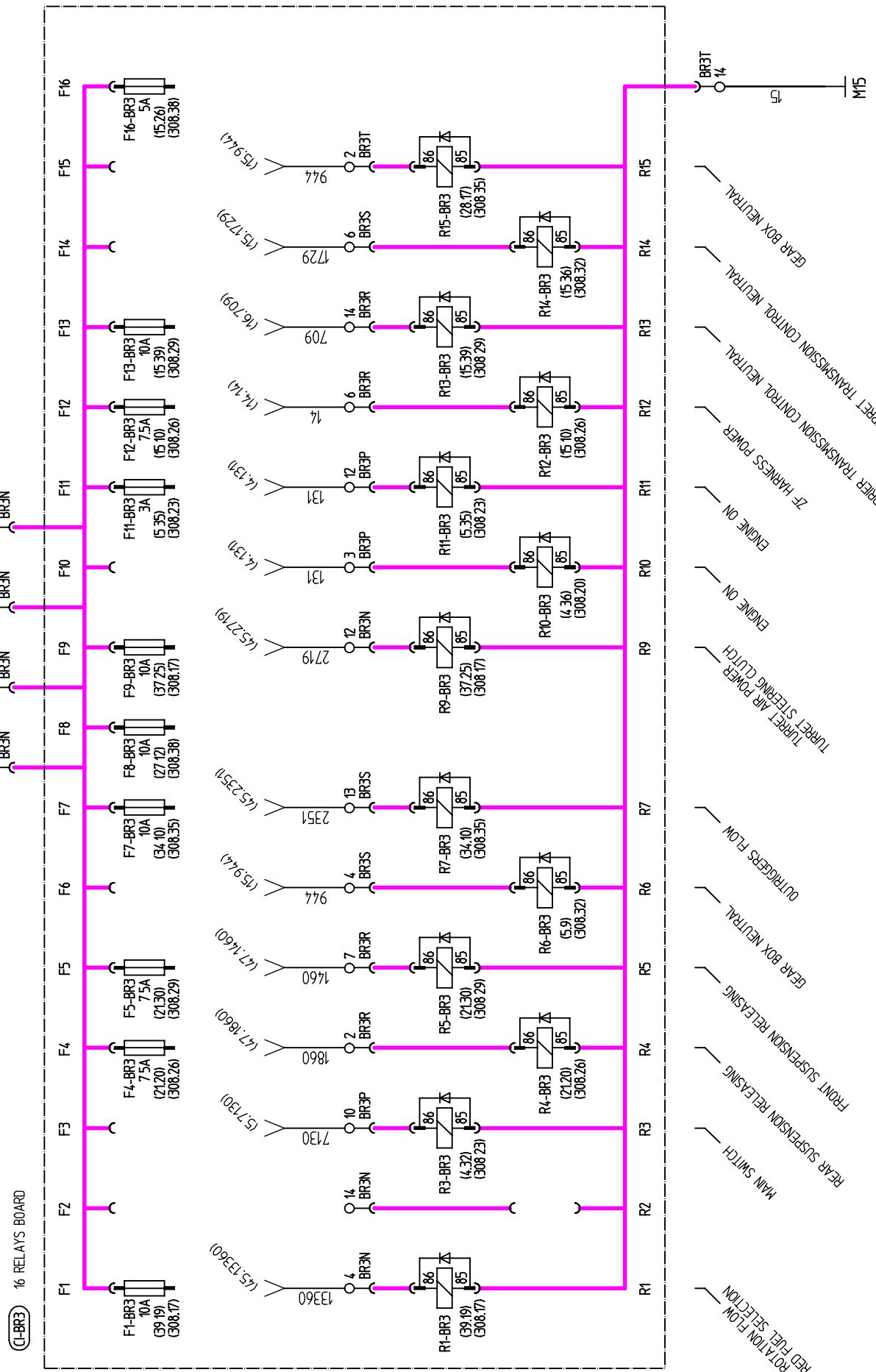
(CL-BR2) 16 RELAYS BOARD

<https://cranemanuals.com>

	ETUDE : 1426	DOSSIER ELECTRIQUE MACHINE	PLATINE 16 RELAIS BRZ	PORTEUR	INDICE : B
	E.P.S. :	GENERAL ELECTRIC FILE	BRZ / 16 RELAYS BOARD	CARRIER	
	MACHINE : 251419 -->	CE PLAN EST LA PROPRIETE DE TEREX L NE PEUT ETRE NI REPRODUIT, NI COMMUNIQUE SANS NOTRE AUTORISATION / THIS DRAWING IS THE PROPERTY OF TEREX IT IS NOT BE USED OR REPRODUCED WITHOUT OUR AUTHORIZATION		Date : 29/03/2007	PAGE : 9
				Verificateur : RP	Date : 17/12/2007

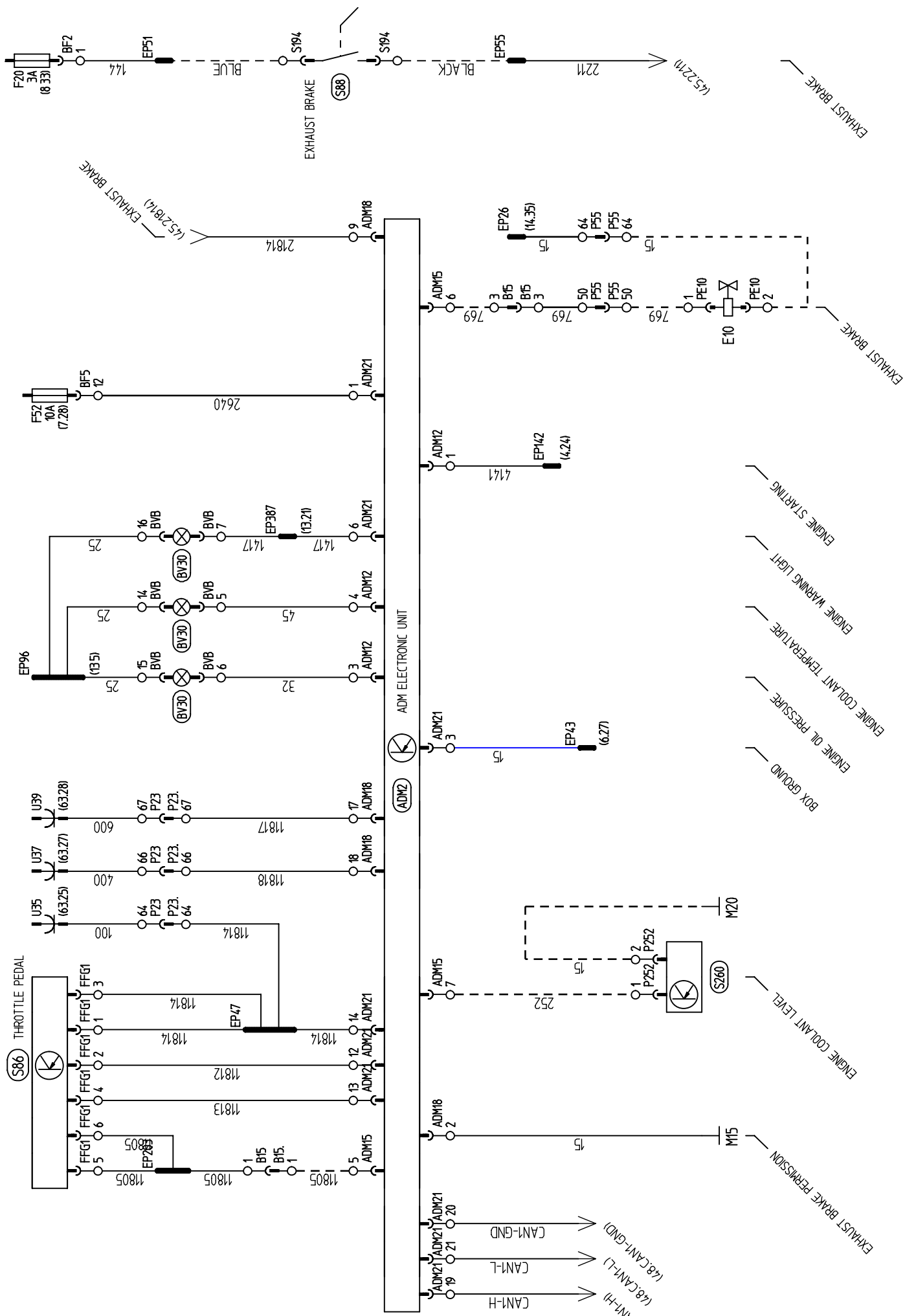
1 2 3 4 5 6 7 8 9 10 11 12 13 14 15 16 17 18 19 20 21 22 23 24 25 26 27 28 29 30 31 32 33 34 35 36 37 38 39 40 41

PRINTED CIRCUIT



<https://cranemanuals.com>

	ETUDE : 1426	DOSSIER ELECTRIQUE MACHINE	AC40/2 - AC40/2L PORTEUR CARRIER	INDICE : B
	E.P.S. : MACHINE : 2514/19 -->	GENERAL ELECTRIC FILE		Dessinateur : B.C. Date : 29/03/2007
CR 108332	CE PLAN EST LA PROPRIETE DE TEREX L NE PEUT ETRE NI REPRODUIT, NI COMMUNIQUE SANS NOTRE AUTORISATION / THIS DRAWING IS THE PROPERTY OF TEREX IT IS NOT BE USED OR REPRODUCED WITHOUT OUR AUTHORIZATION		Verificateur : RP	Date : 17/12/2007



	ETUDE : 1426	DOSSIER ELECTRIQUE MACHINE	ALIM. BOITIER ADM/ACCELERATION PORTEUR/FREIN ECHAPPEMENT	PORTEUR	INDICE : B
	E.P.S. :	GENERAL ELECTRIC FILE	ADM UNIT POWER / THROTTLE / EXHAUST BRAKE	CARRIER	
CR 108332	MACHINE : 251419 --->			Date : 16/10/2006	PAGE : 11
				Verificateur : RP	Date : 17/12/2007

1 2 3 4 5 6 7 8 9 10 11 12 13 14 15 16 17 18 19 20 21 22 23 24 25 26 27 28 29 30 31 32 33 34 35 36 37 38 39 40 41

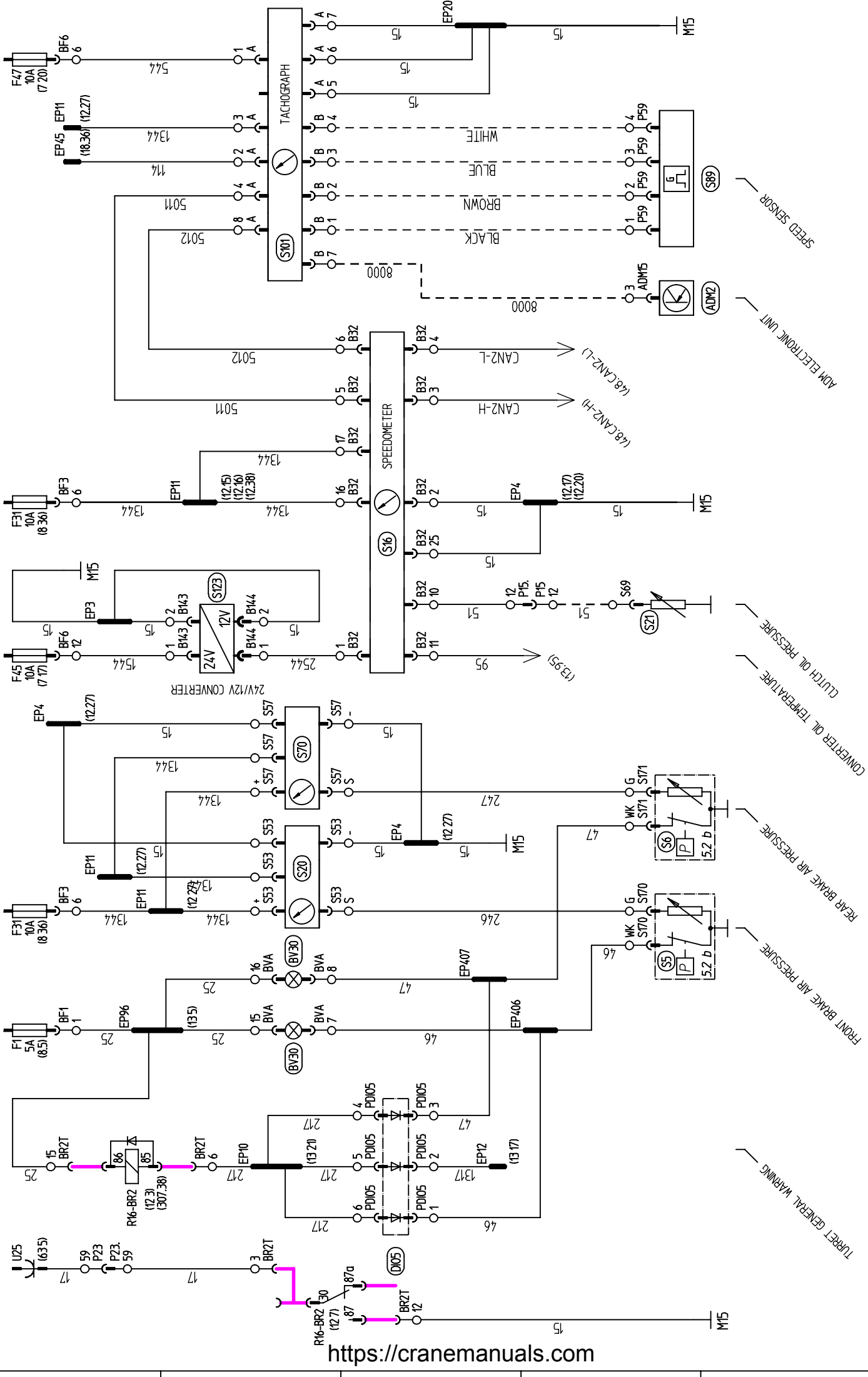
A

B

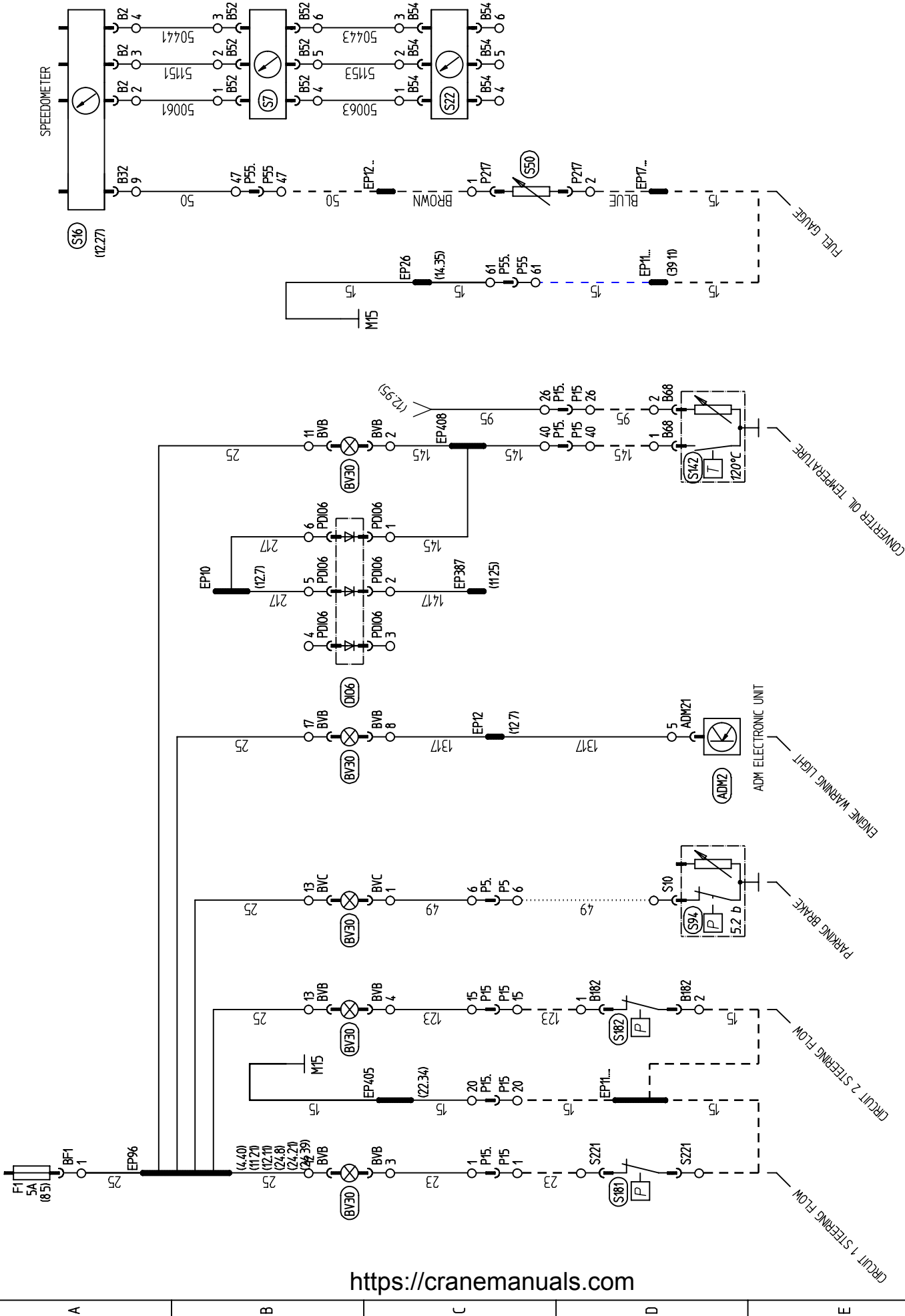
C

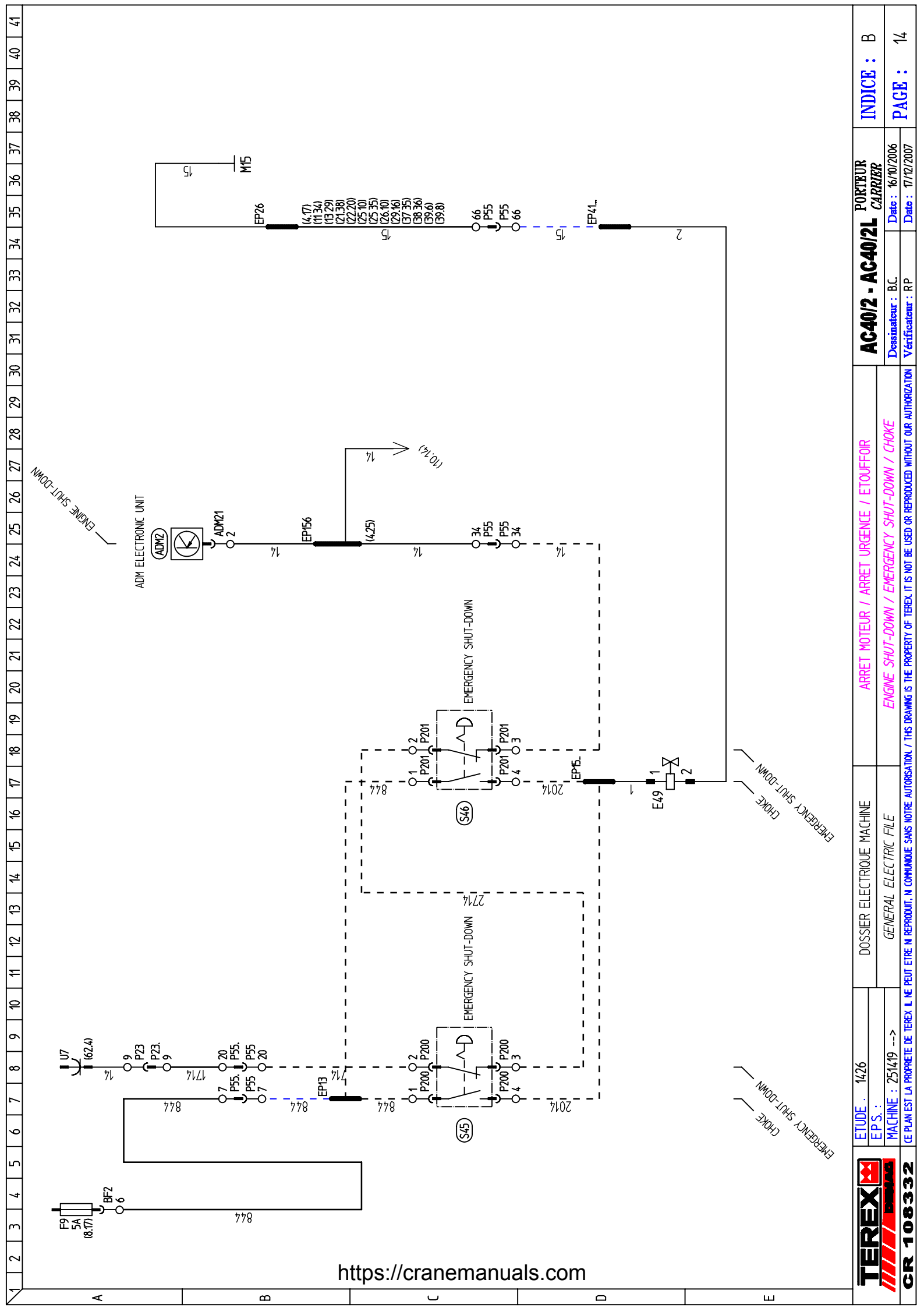
D

E



<https://cranemanuals.com>





<https://cranemanuals.com>



CR 108332

ETUDE : 1426
 EPS :
 MACHINE : 251419 -->

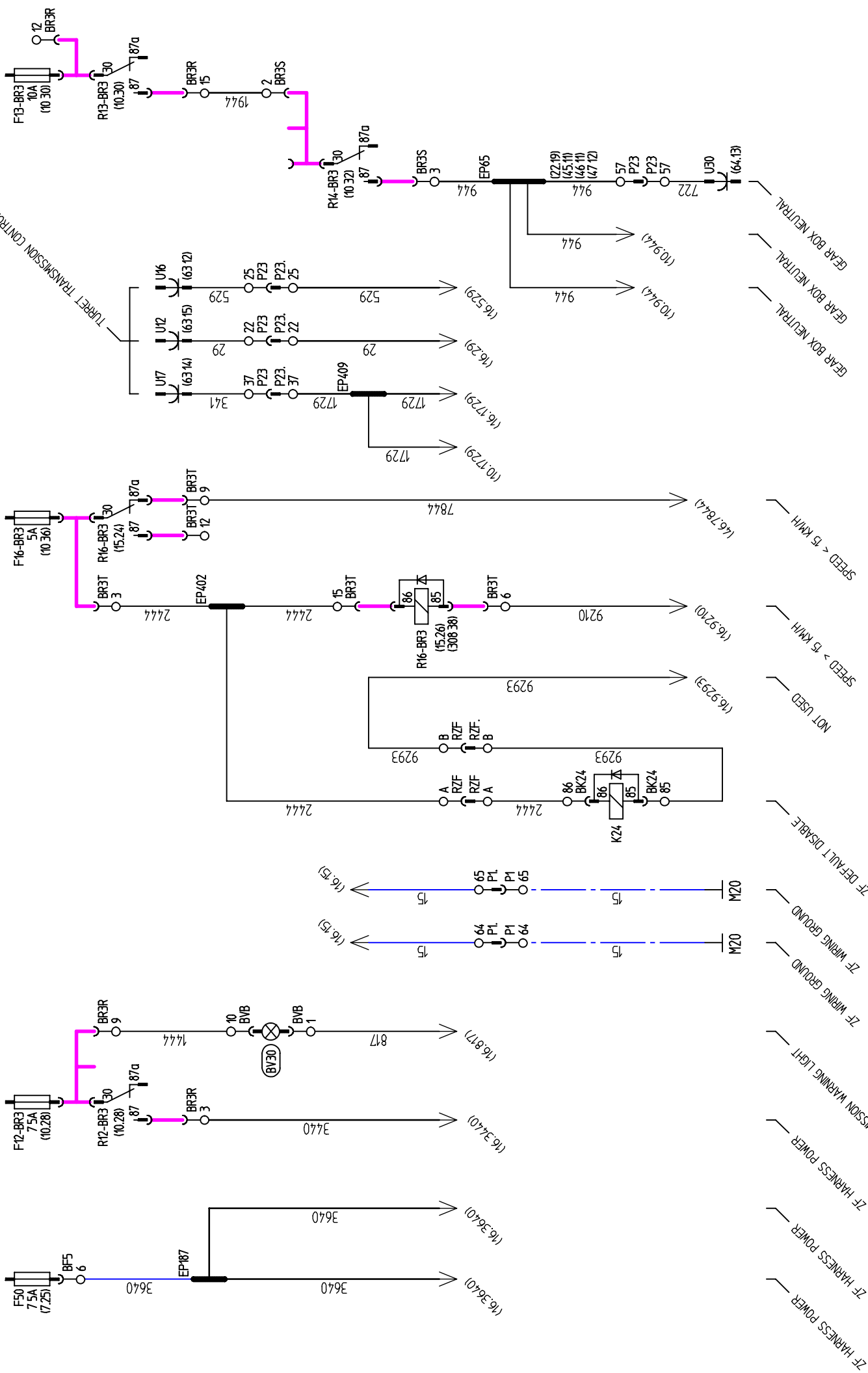
DOSSIER ELECTRIQUE MACHINE
 GENERAL ELECTRIC FILE

ARRET MOTEUR / ARRET URGENCE / ETOUFFOIR
 ENGINE SHUT-DOWN / EMERGENCY SHUT-DOWN / CHOKE

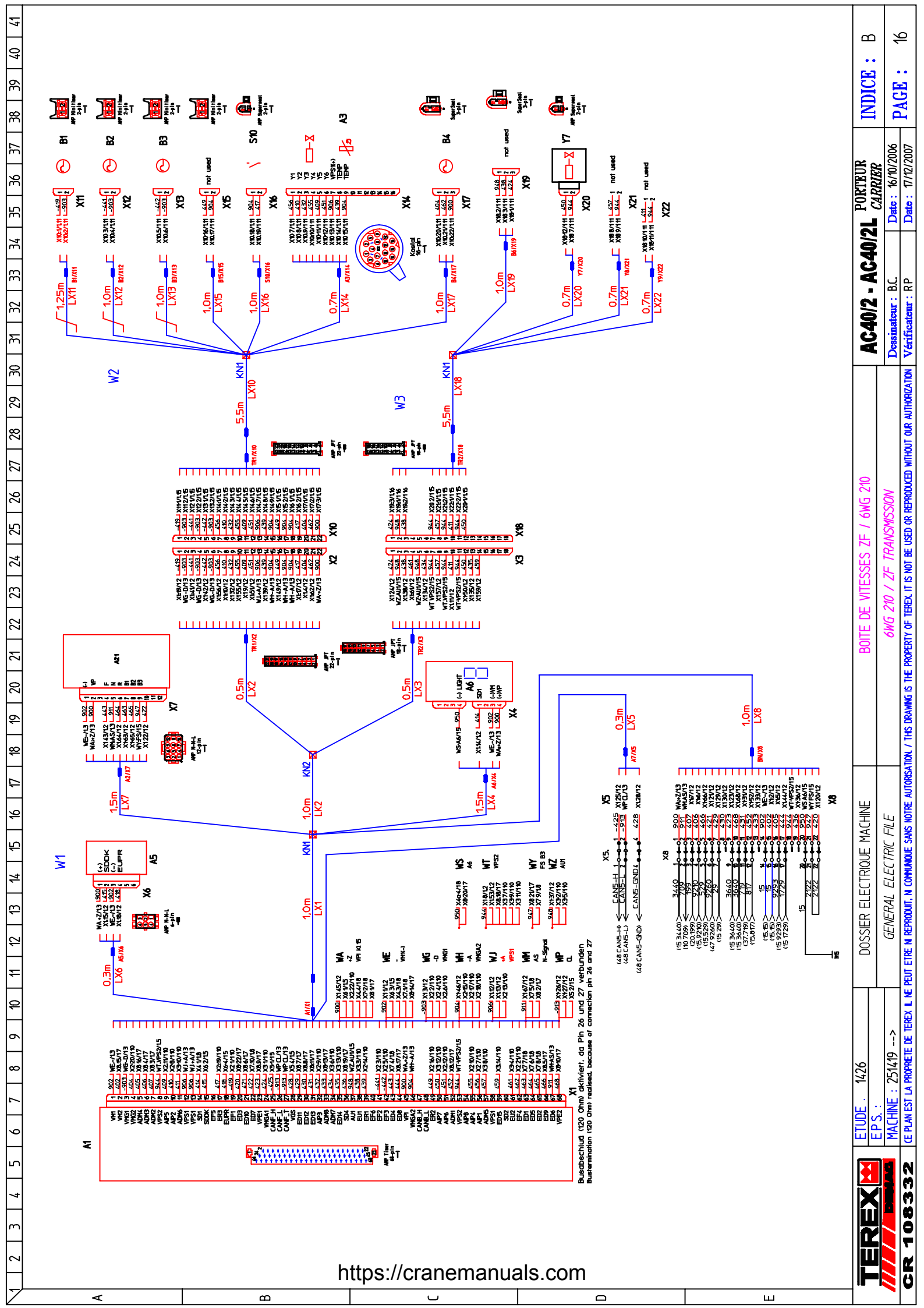
AC40/2 - AC40/2L PORTEUR CARRIER
 Dessinateur : B.C. Date : 16/10/2006
 Verificateur : RP Date : 17/12/2007

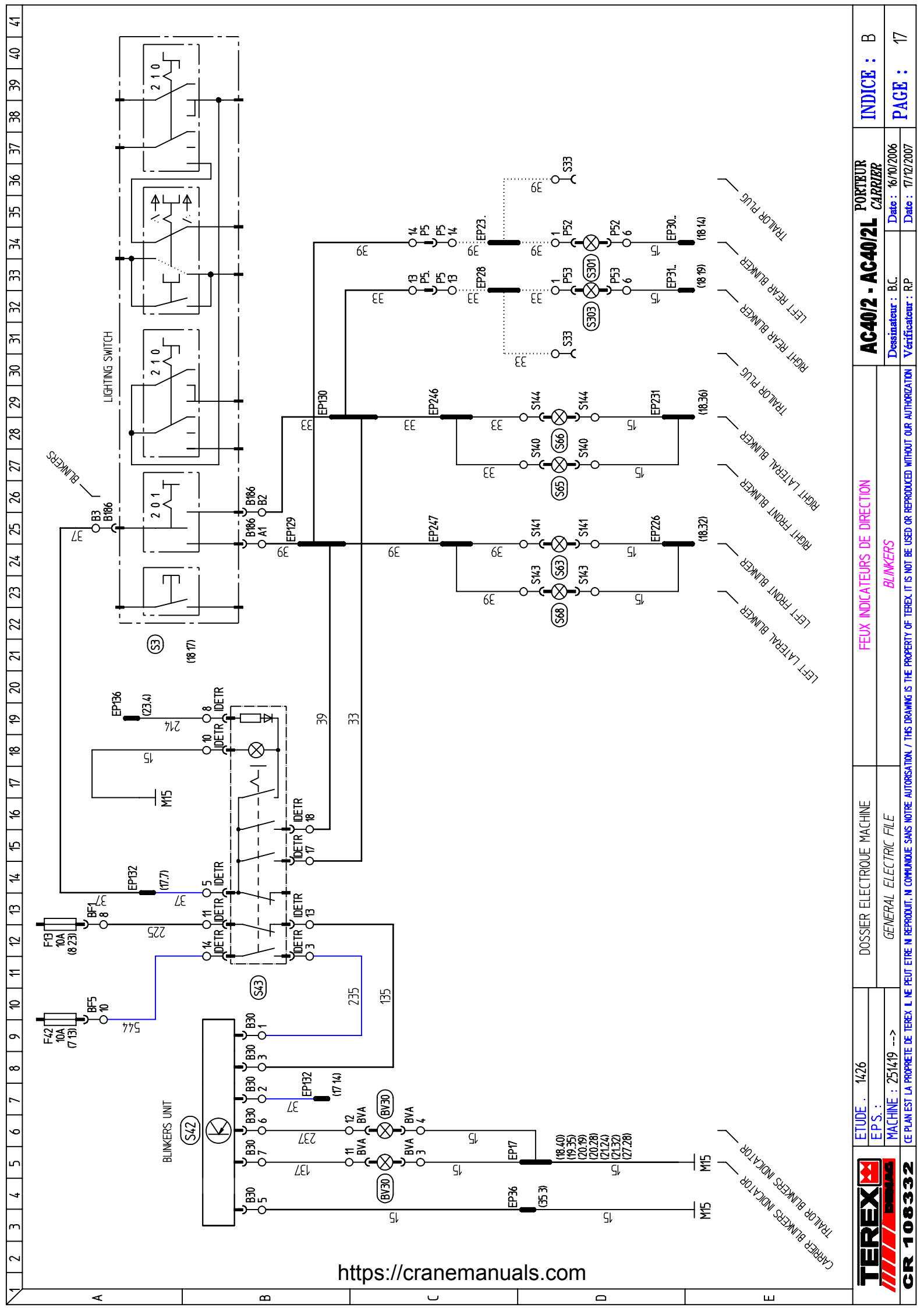
INDICE : B
 PAGE : 14

1 2 3 4 5 6 7 8 9 10 11 12 13 14 15 16 17 18 19 20 21 22 23 24 25 26 27 28 29 30 31 32 33 34 35 36 37 38 39 40 41



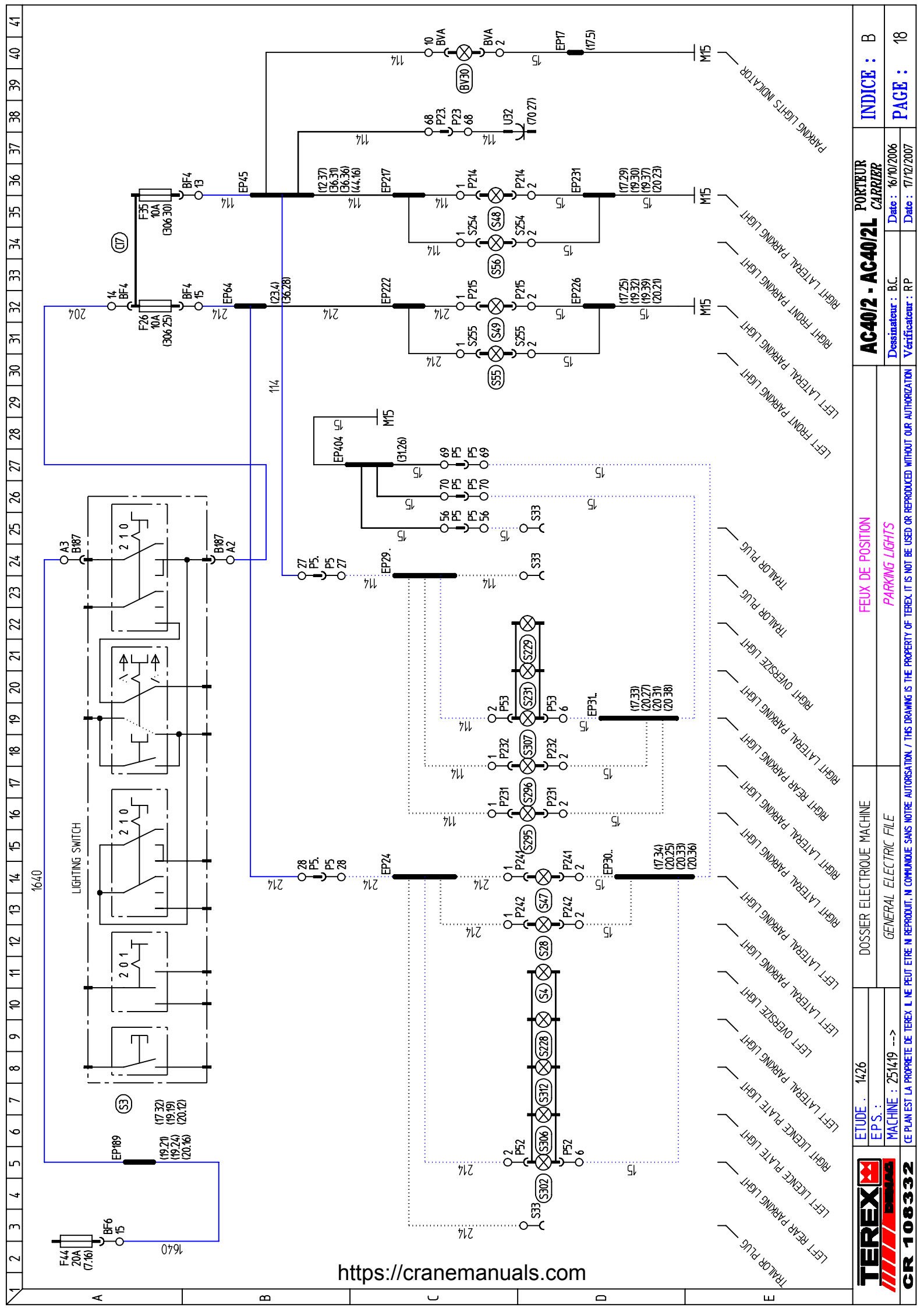
CE PLAN EST LA PROPRIETE DE TEREX. IL NE PEUT ETRE REPRODUIT, NI COMMUNE SANS NOTRE AUTORISATION / THIS DRAWING IS THE PROPERTY OF TEREX. IT IS NOT BE USED OR REPRODUCED WITHOUT OUR AUTHORIZATION





<https://cranemanuals.com>

1 2 3 4 5 6 7 8 9 10 11 12 13 14 15 16 17 18 19 20 21 22 23 24 25 26 27 28 29 30 31 32 33 34 35 36 37 38 39 40 41



<https://cranemanuals.com>



CR 108332

ETUDE : 1426
 EPS :
 MACHINE : 251419 -->

DOSSIER ELECTRIQUE MACHINE
 GENERAL ELECTRIC FILE

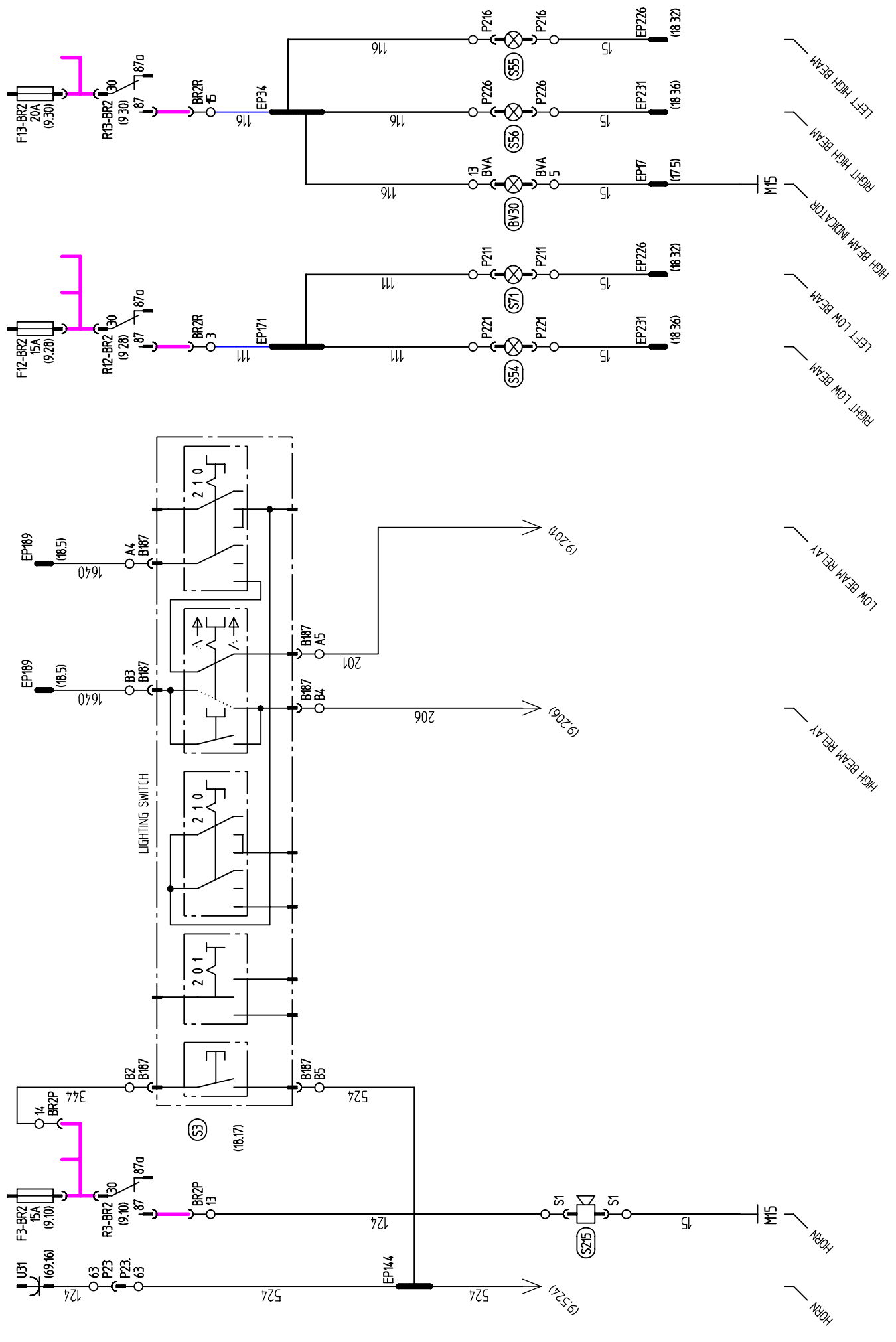
FEUX DE POSITION
 PARKING LIGHTS

AC40/2 - AC40/2L
 PORTEUR CARRIER
 Dessinateur : B.C.
 Verificateur : RP

INDICE : B
 PAGE : 18

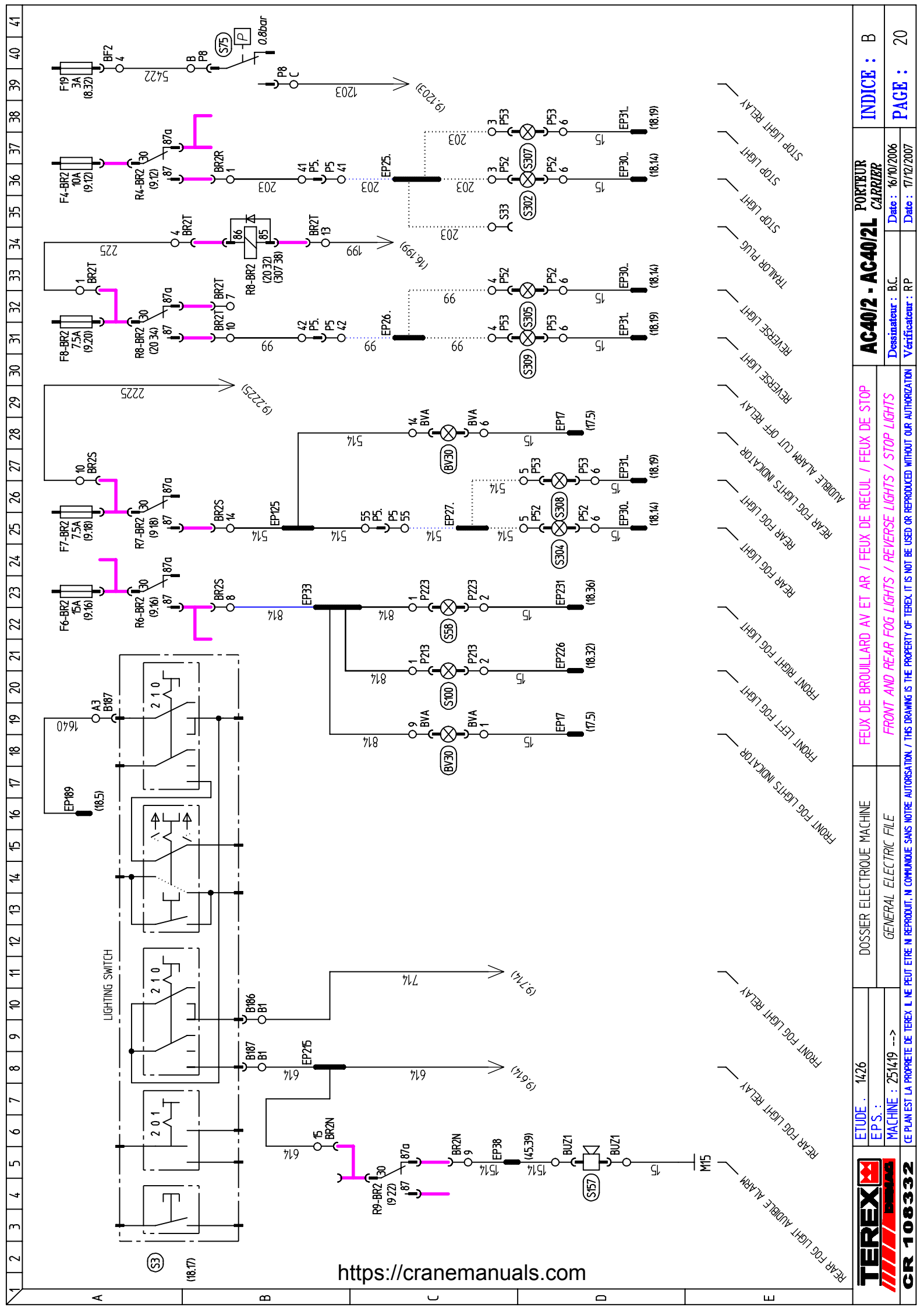
CE PLAN EST LA PROPRIETE DE TEREX L NE PEUT ETRE NI REPRODUIT, NI COMMUNIQUE SANS NOTRE AUTORISATION / THIS DRAWING IS THE PROPERTY OF TEREX IT IS NOT BE USED OR REPRODUCED WITHOUT OUR AUTHORIZATION

1 2 3 4 5 6 7 8 9 10 11 12 13 14 15 16 17 18 19 20 21 22 23 24 25 26 27 28 29 30 31 32 33 34 35 36 37 38 39 40 41

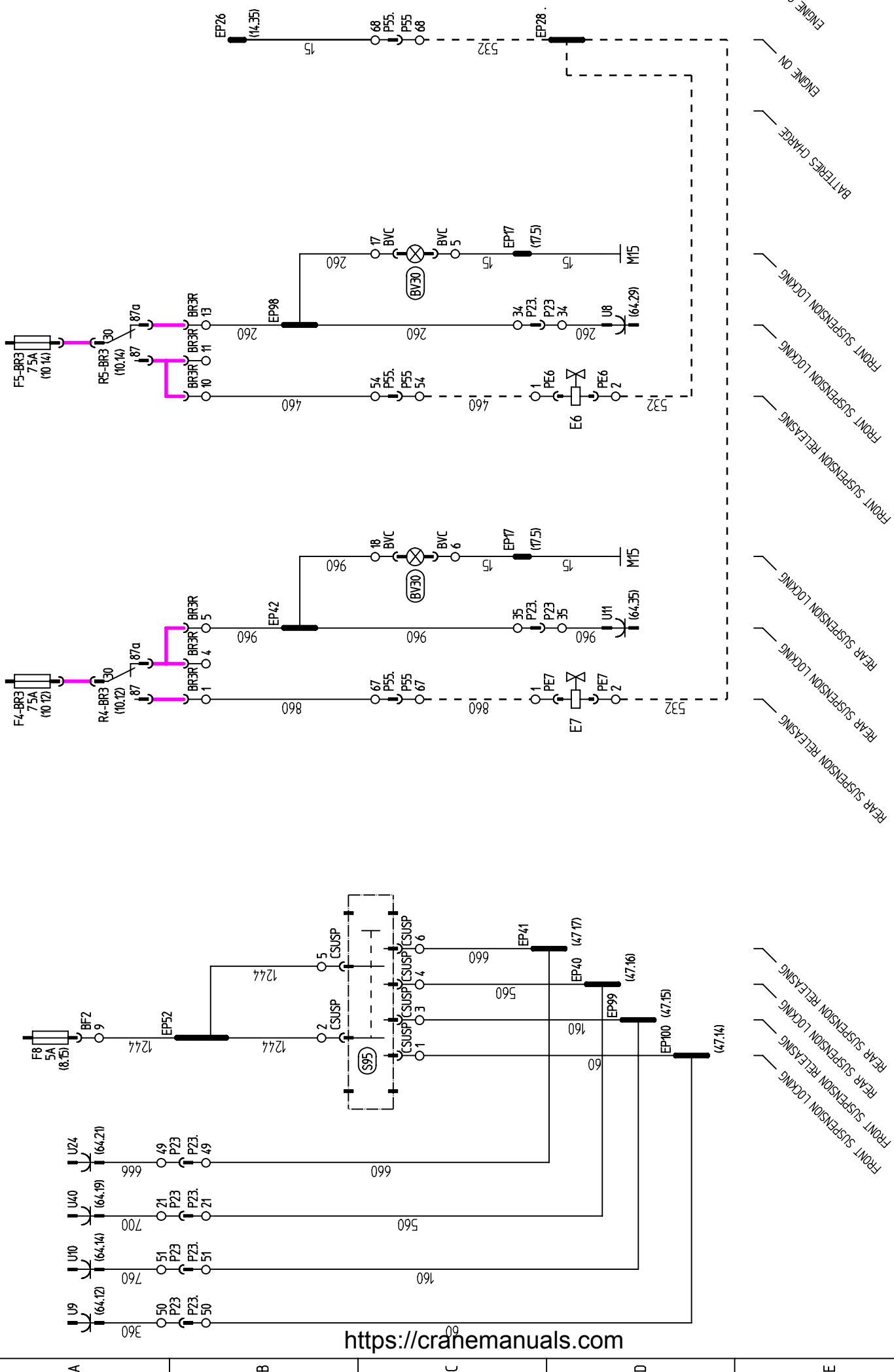


<https://cranemanuals.com>

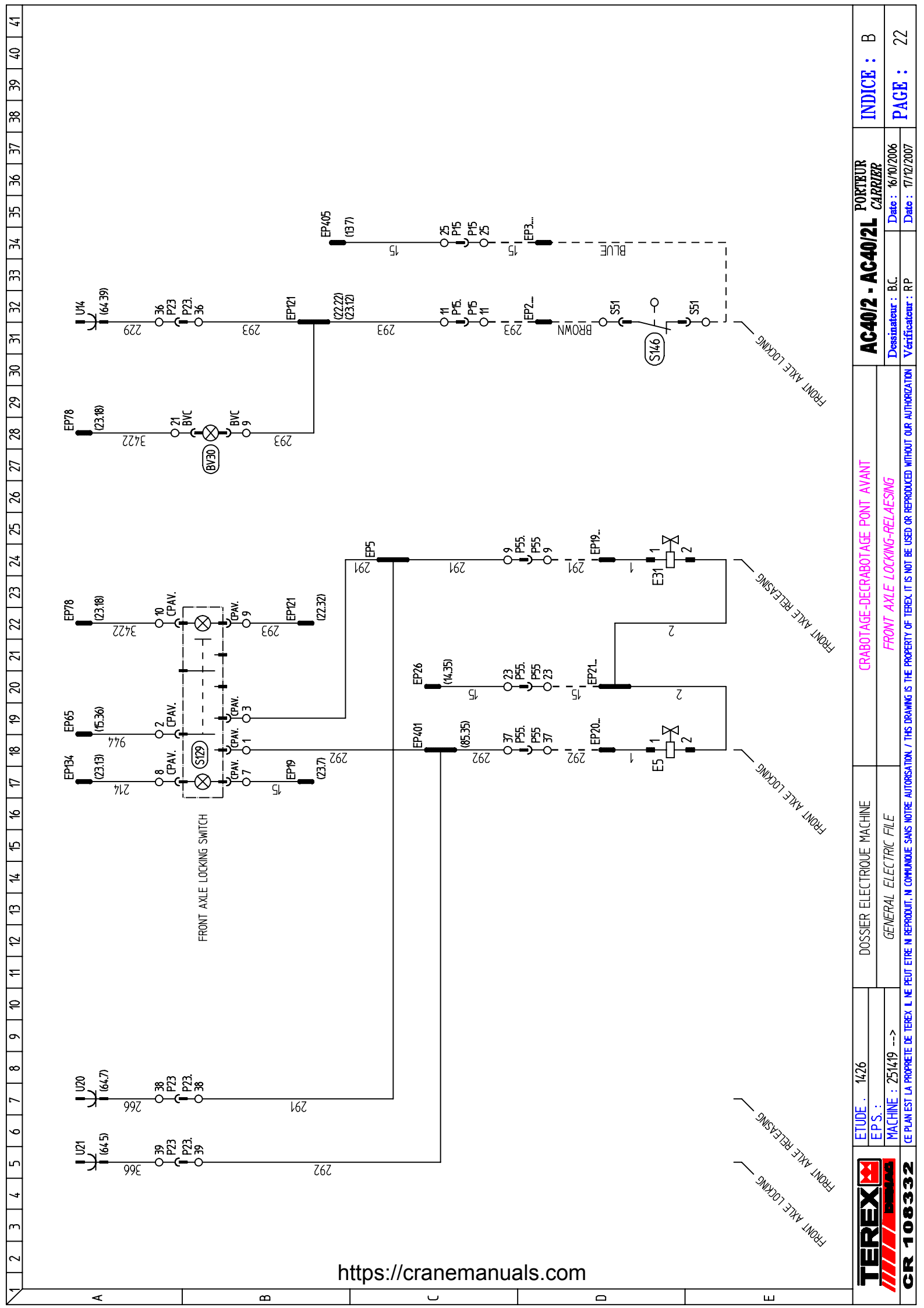
 CR 108332	ETUDE : 1426 E.P.S. : MACHINE : 251419 --->	DOSSIER ELECTRIQUE MACHINE GENERAL ELECTRIC FILE	AC40/2 - AC40/2L PORTEUR CARRIER	INDICE : B
	CE PLAN EST LA PROPRIETE DE TEREX L NE PEUT ETRE NI REPRODUIT, NI COMMUNIQUE SANS NOTRE AUTORISATION / THIS DRAWING IS THE PROPERTY OF TEREX IT IS NOT BE USED OR REPRODUCED WITHOUT OUR AUTHORIZATION	Dessinateur : B.C. Date : 16/10/2006	Verificateur : R.P. Date : 17/12/2007	PAGE : 19



<https://cranemanuals.com>

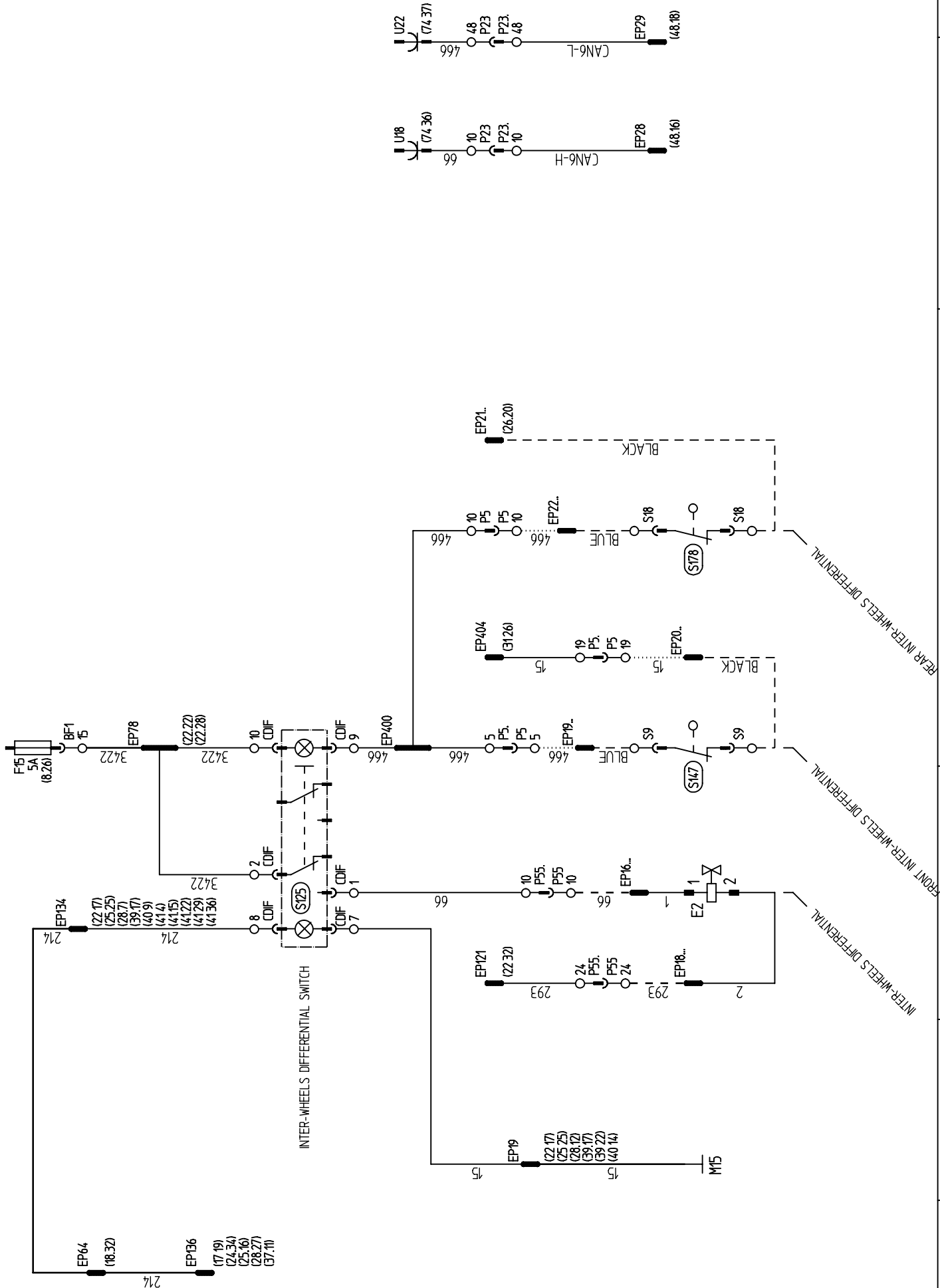


<https://cranemanuals.com>

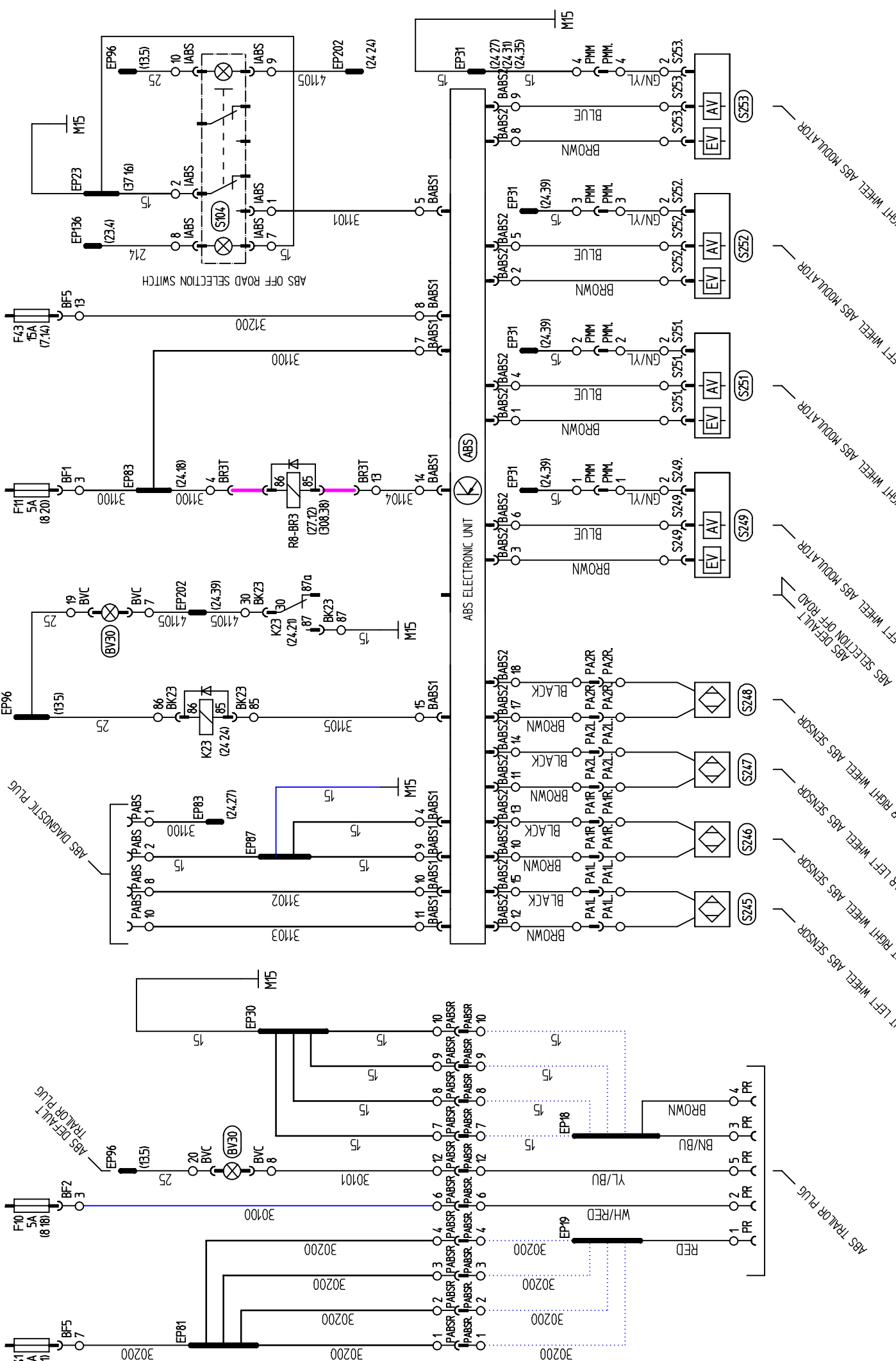


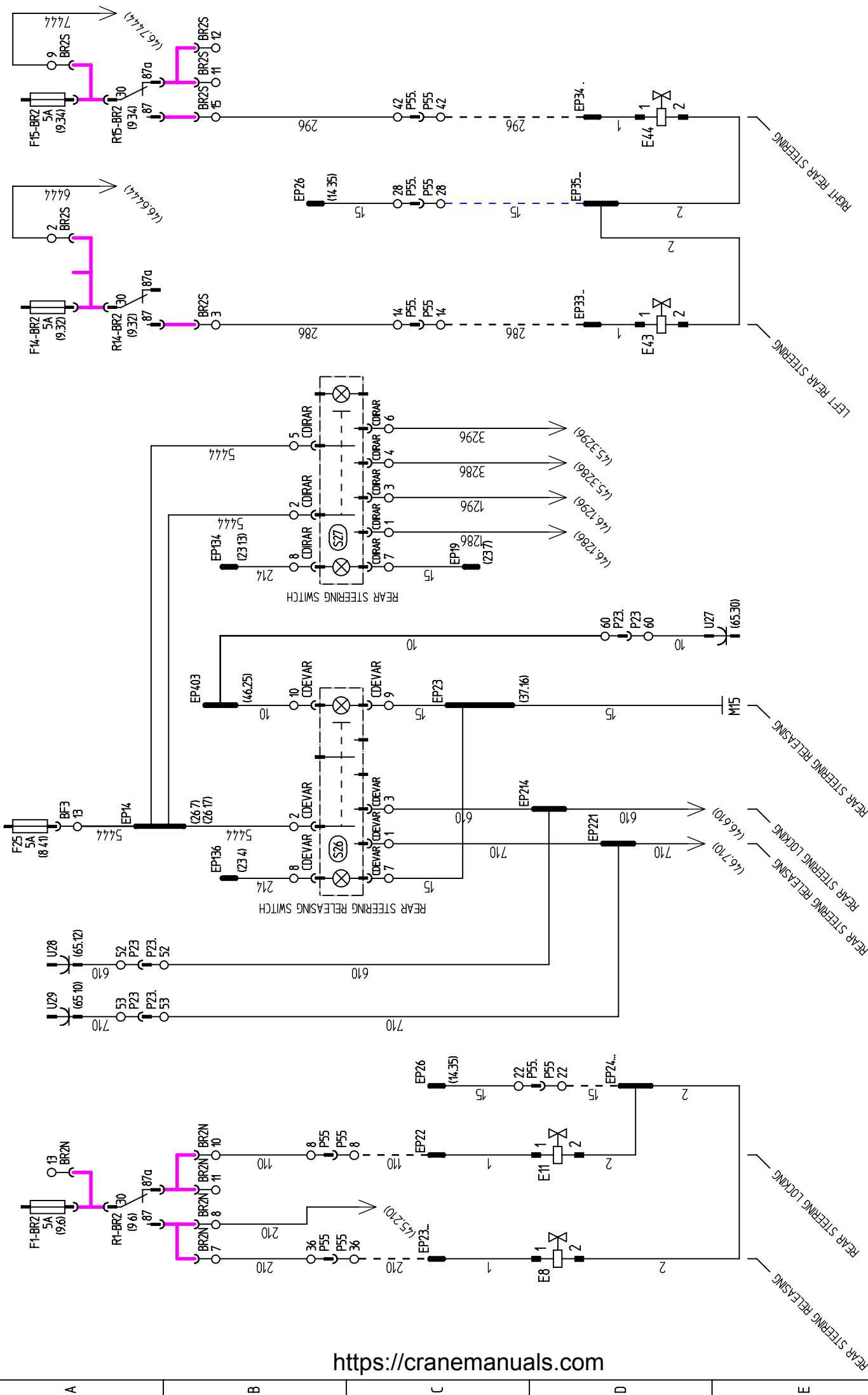
<https://cranemanuals.com>

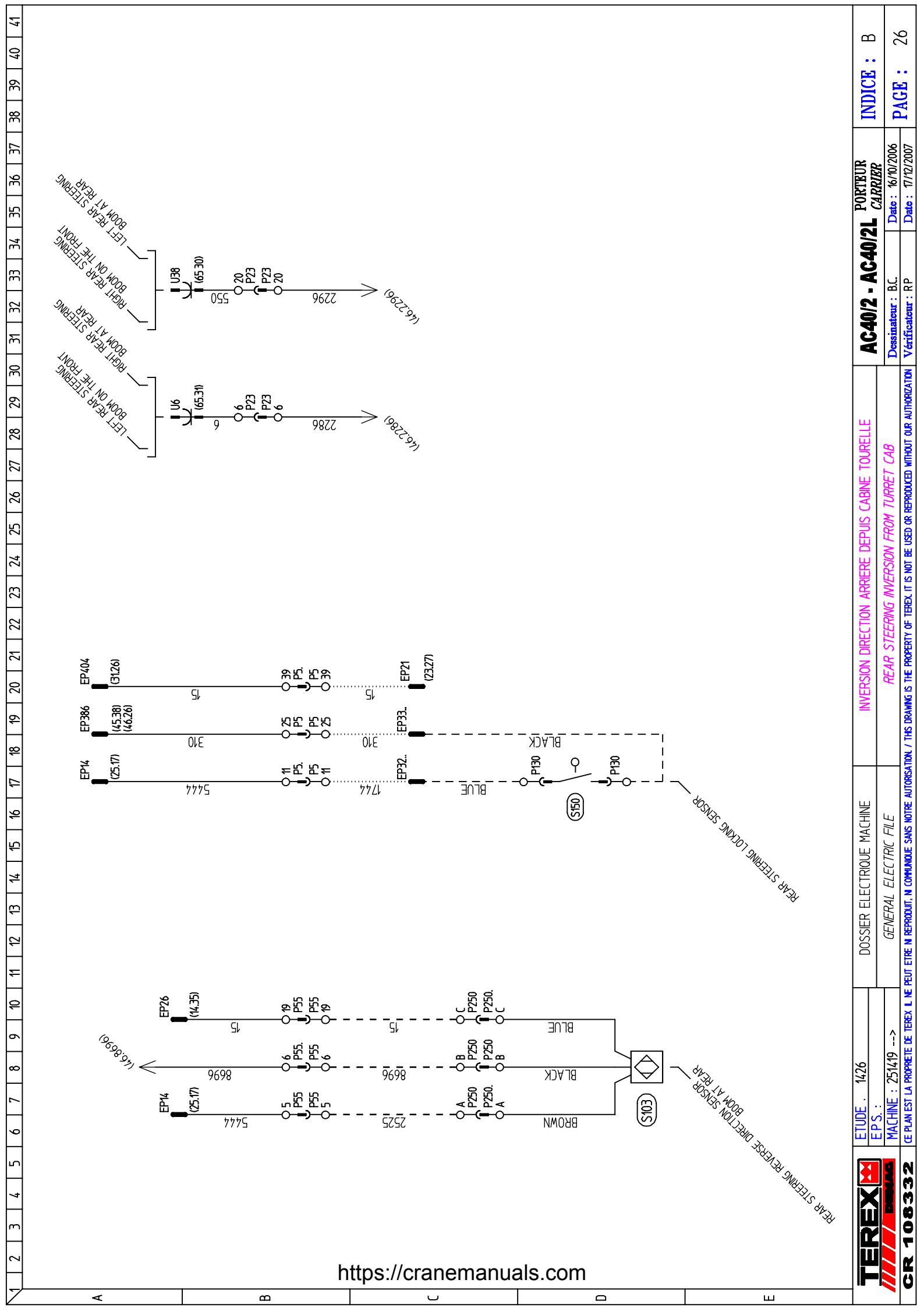
TEREX ELECTRIC	ETUDE : 1426	DOSSIER ELECTRIQUE MACHINE	CRABOTAGE-DECRABOTAGE PONT AVANT	PORTEUR CARRIER	INDICE : B
	E.P.S. : MACHINE : 251419 -->	GENERAL ELECTRIC FILE	FRONT AXLE LOCKING-RELEASING	Dessinateur : B.C. Vérificateur : RP	Date : 16/10/2006 Date : 17/12/2007
CR 108332	CE PLAN EST LA PROPRIETE DE TEREX L NE PEUT ETRE NI REPRODUIT, NI COMMUNIQUE SANS NOTRE AUTORISATION / THIS DRAWING IS THE PROPERTY OF TEREX IT IS NOT BE USED OR REPRODUCED WITHOUT OUR AUTHORIZATION				PAGE : 22

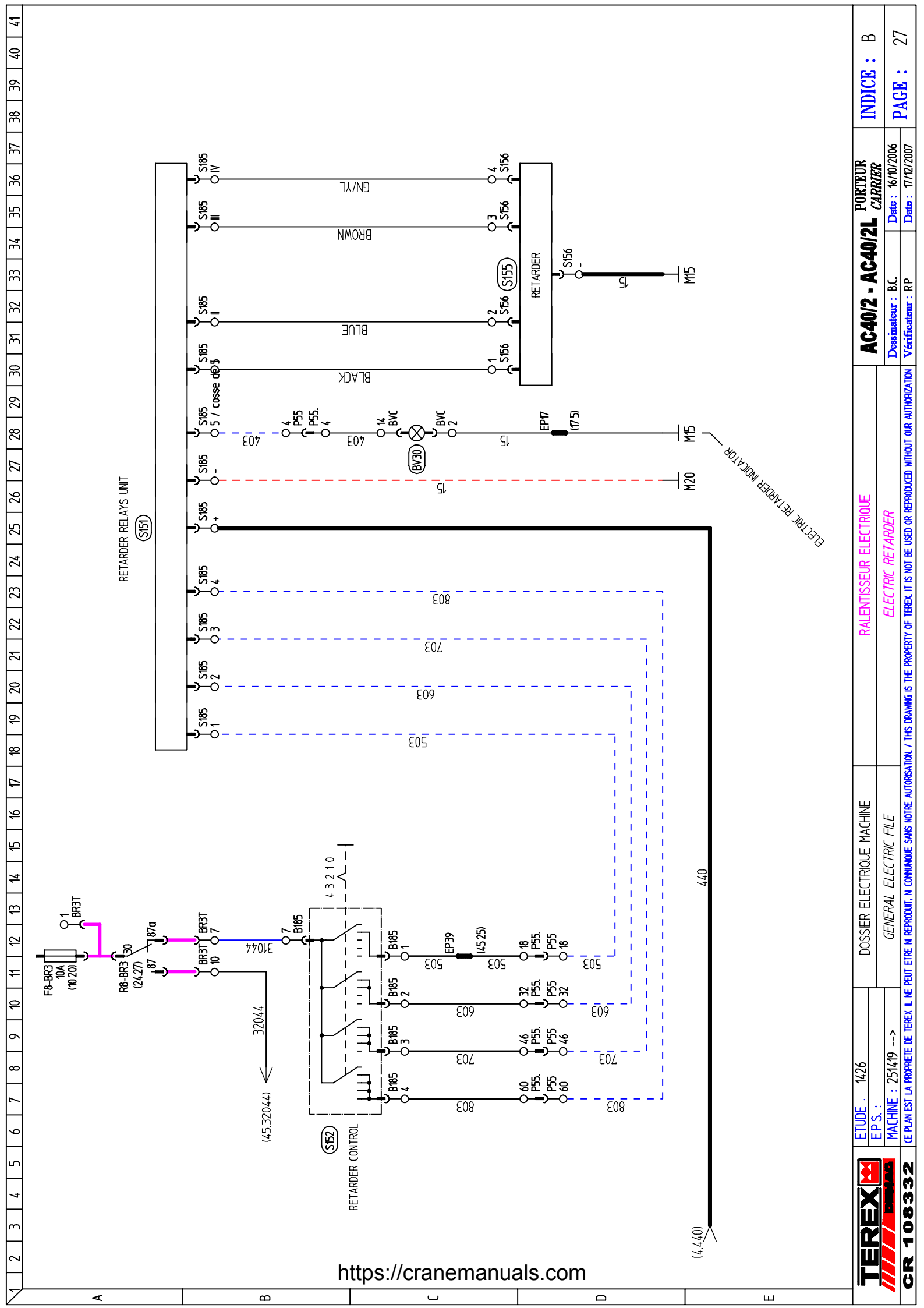


1 2 3 4 5 6 7 8 9 10 11 12 13 14 15 16 17 18 19 20 21 22 23 24 25 26 27 28 29 30 31 32 33 34 35 36 37 38 39 40 41









<https://cranemanuals.com>



CR 108332

ETUDE : 1426
 EPS :
 MACHINE : 251419 -->

DOSSIER ELECTRIQUE MACHINE
 GENERAL ELECTRIC FILE

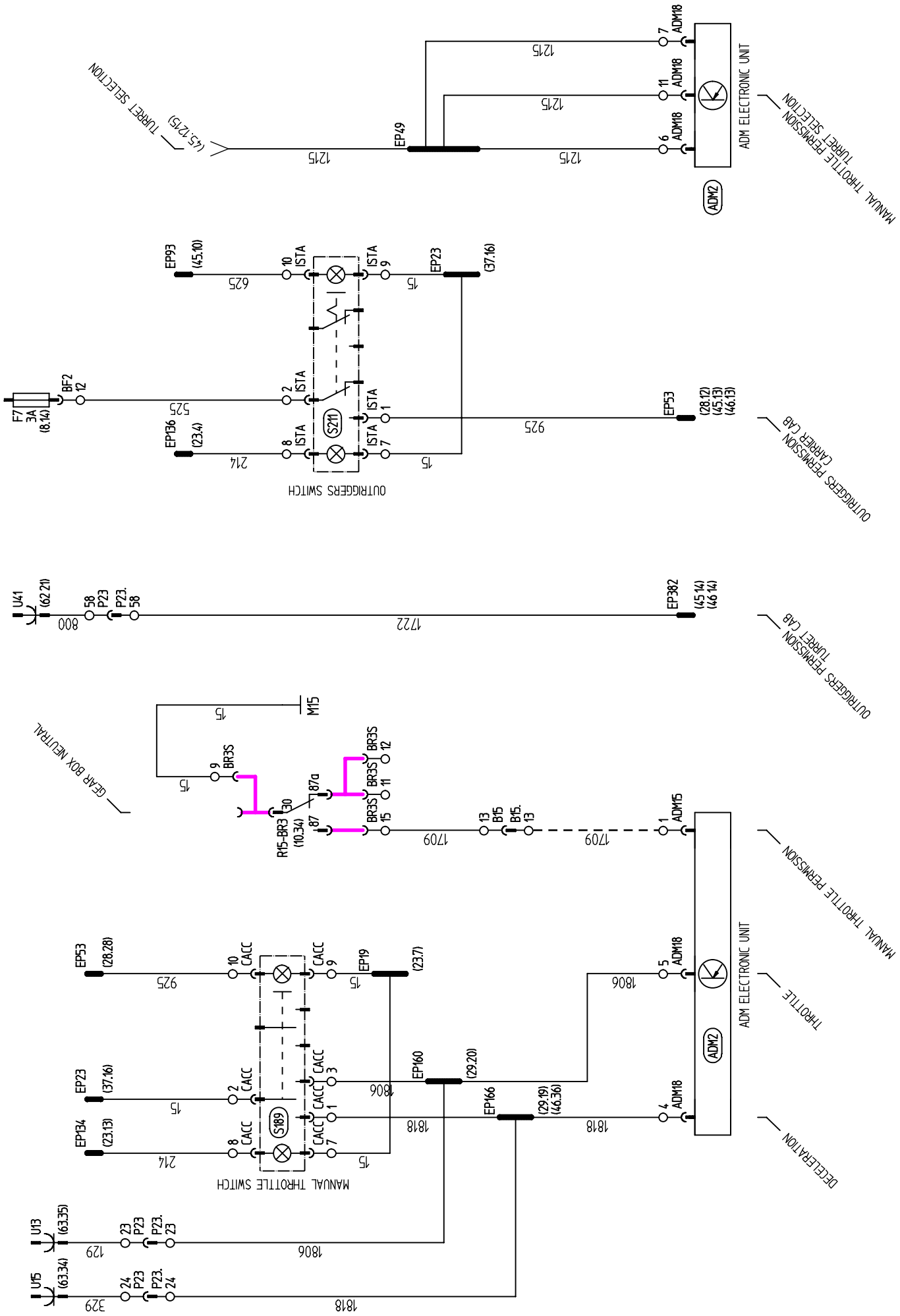
RALENTISSEUR ELECTRIQUE
 ELECTRIC RETARDER

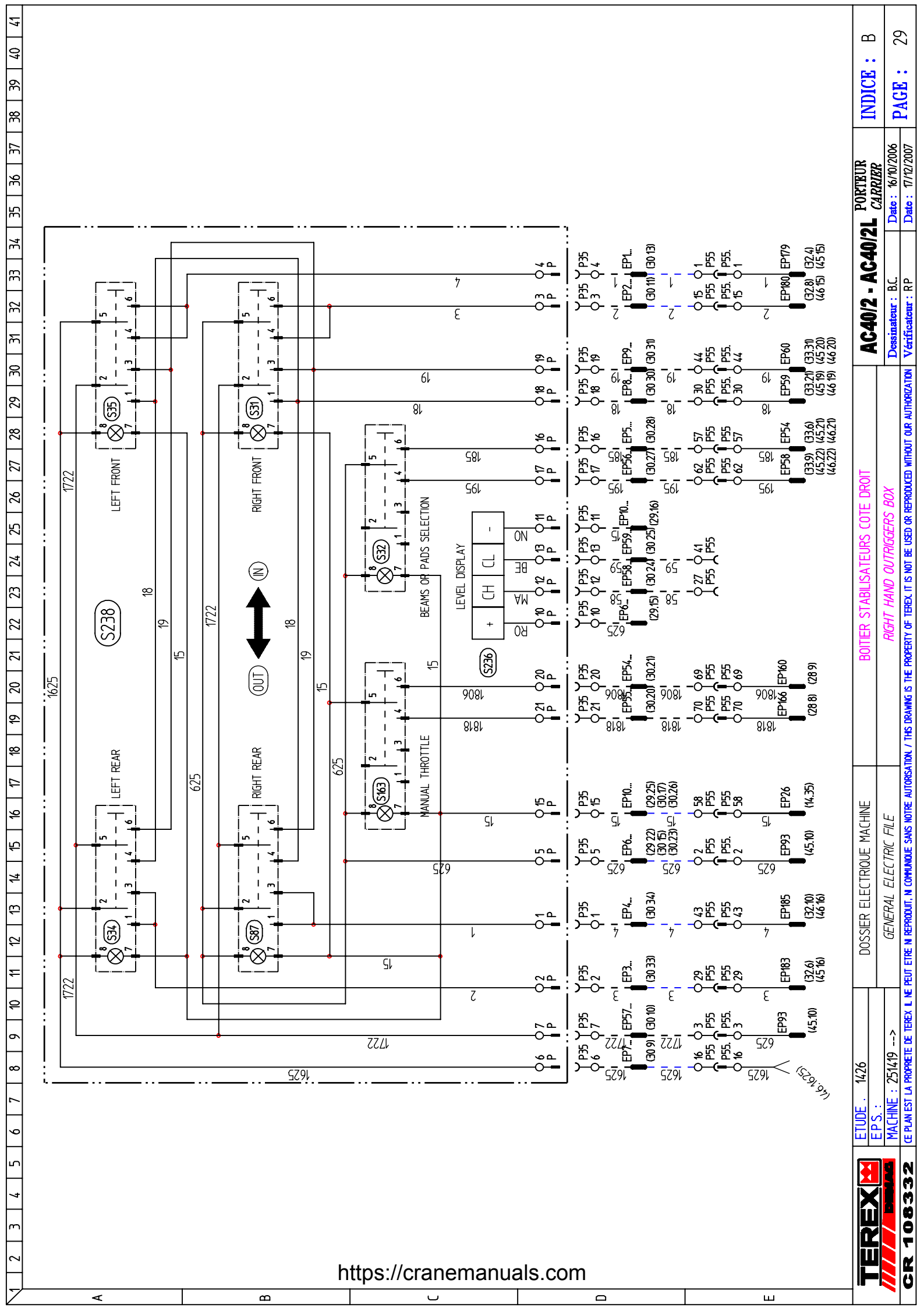
AC40/2 - AC40/2L
 CARRIER

INDICE : B
 DATE : 16/10/2006
 VERIFICATEUR : RP

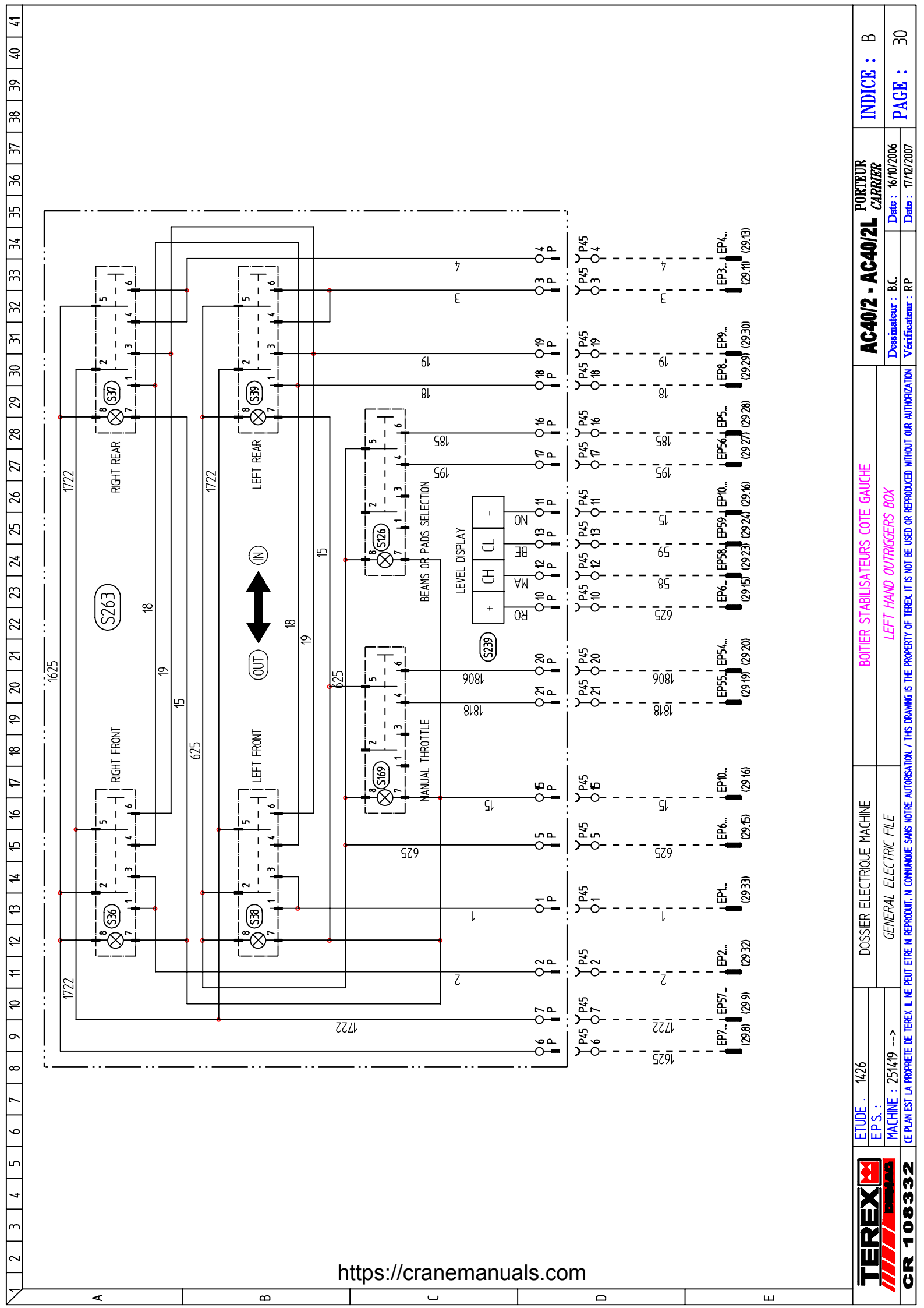
PAGE : 27

CE PLAN EST LA PROPRIETE DE TEREX. IL NE PEUT ETRE NI REPRODUIT, NI COMMUNIQUE SANS NOTRE AUTORISATION. / THIS DRAWING IS THE PROPERTY OF TEREX. IT IS NOT BE USED OR REPRODUCED WITHOUT OUR AUTHORIZATION.

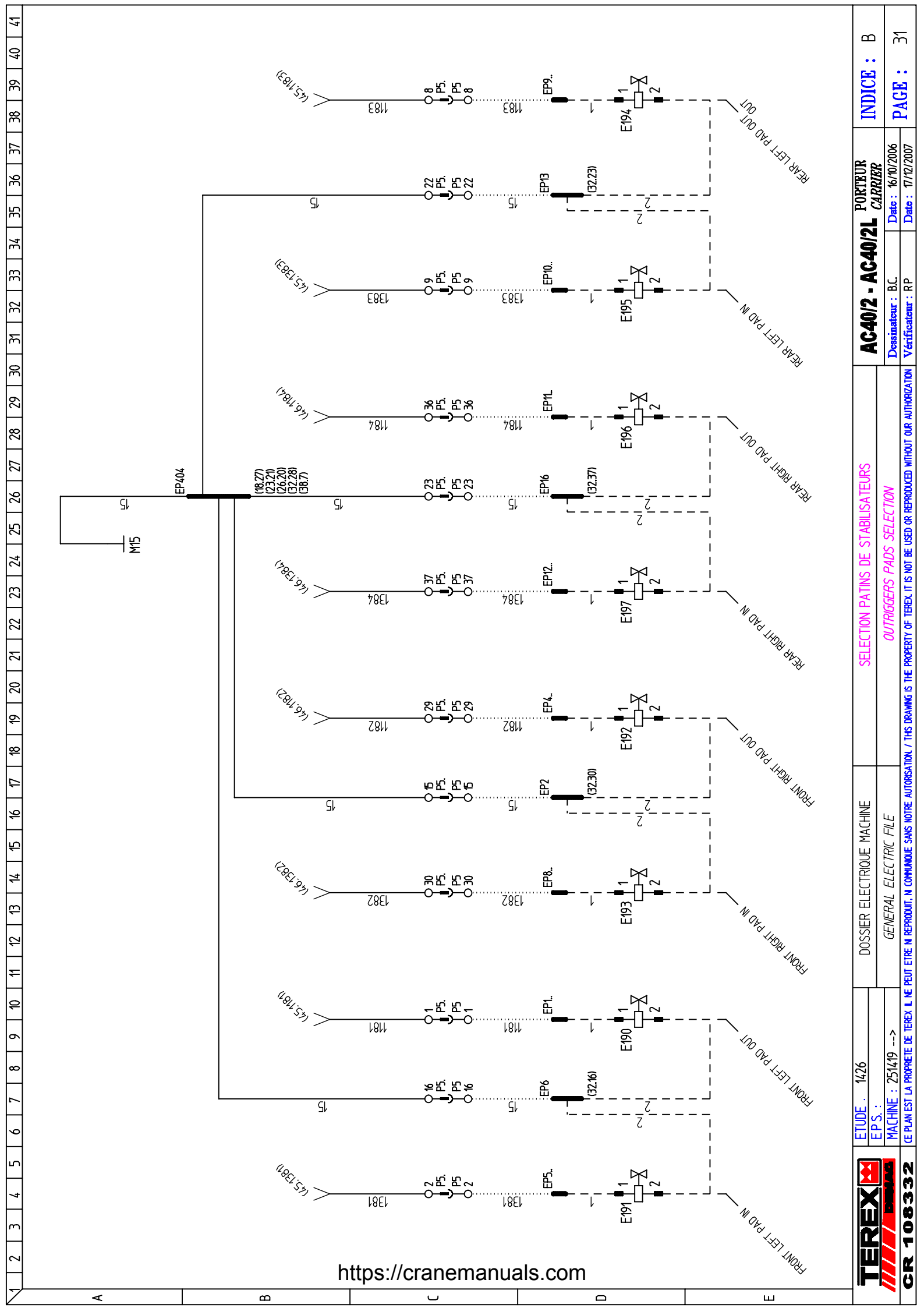




<https://cranemanuals.com>



<https://cranemanuals.com>



<https://cranemanuals.com>



CR 10832

ETUDE : 1426
 E.P.S. :
 MACHINE : 251419 -->

DOSSIER ELECTRIQUE MACHINE
 GENERAL ELECTRIC FILE

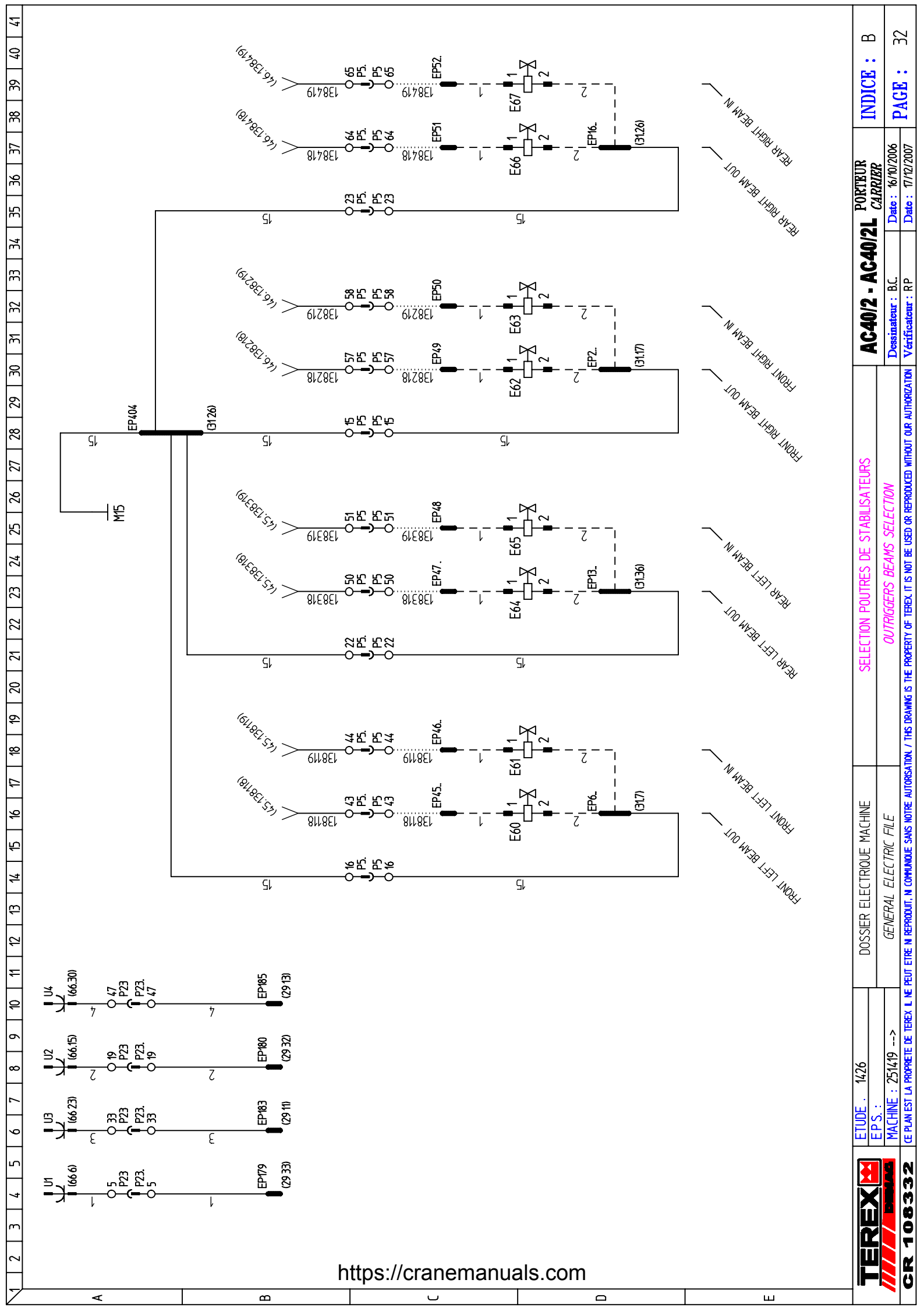
SELECTION PATINS DE STABILISATEURS
 OUTRIGERS PADS SELECTION

AC40/2 - AC40/2L
 PORTEUR CARRIER
 Dessinateur : B.C.
 Verificateur : RP

INDICE : B
 PAGE : 31

Date : 16/10/2006
 Date : 17/12/2007

CE PLAN EST LA PROPRIETE DE TEREX. IL NE PEUT ETRE REPRODUIT, NI COMMUNIQUE SANS NOTRE AUTORISATION. / THIS DRAWING IS THE PROPERTY OF TEREX. IT IS NOT BE USED OR REPRODUCED WITHOUT OUR AUTHORIZATION



<https://cranemanuals.com>



CR 108332

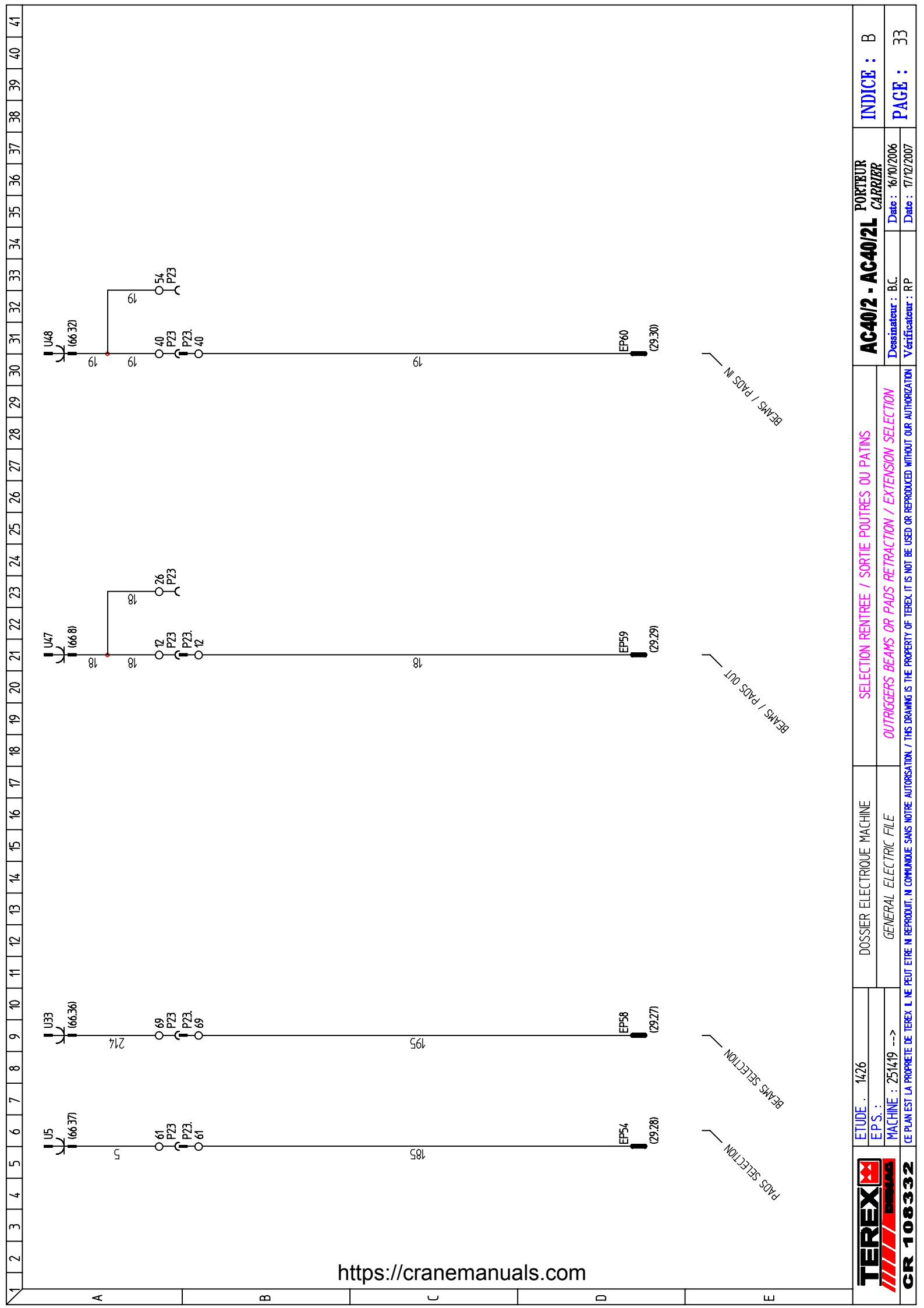
ETUDE : 1426
 E.P.S. :
 MACHINE : 251419 --->

DOSSIER ELECTRIQUE MACHINE
 GENERAL ELECTRIC FILE

SELECTION POUTRES DE STABILISATEURS
 OUTRIGGERS BEAMS SELECTION

AC40/2 - AC40/2L
 PORTEUR CARRIER

INDICE : B
 Dessinateur : B.C.
 Verificateur : RP
 Date : 16/10/2006
 Date : 17/12/2007
 PAGE : 32



<https://cranemanuals.com>



CR 108332

ETUDE : 1426
 E.P.S. :
 MACHINE : 251419 -->

DOSSIER ELECTRIQUE MACHINE
 GENERAL ELECTRIC FILE

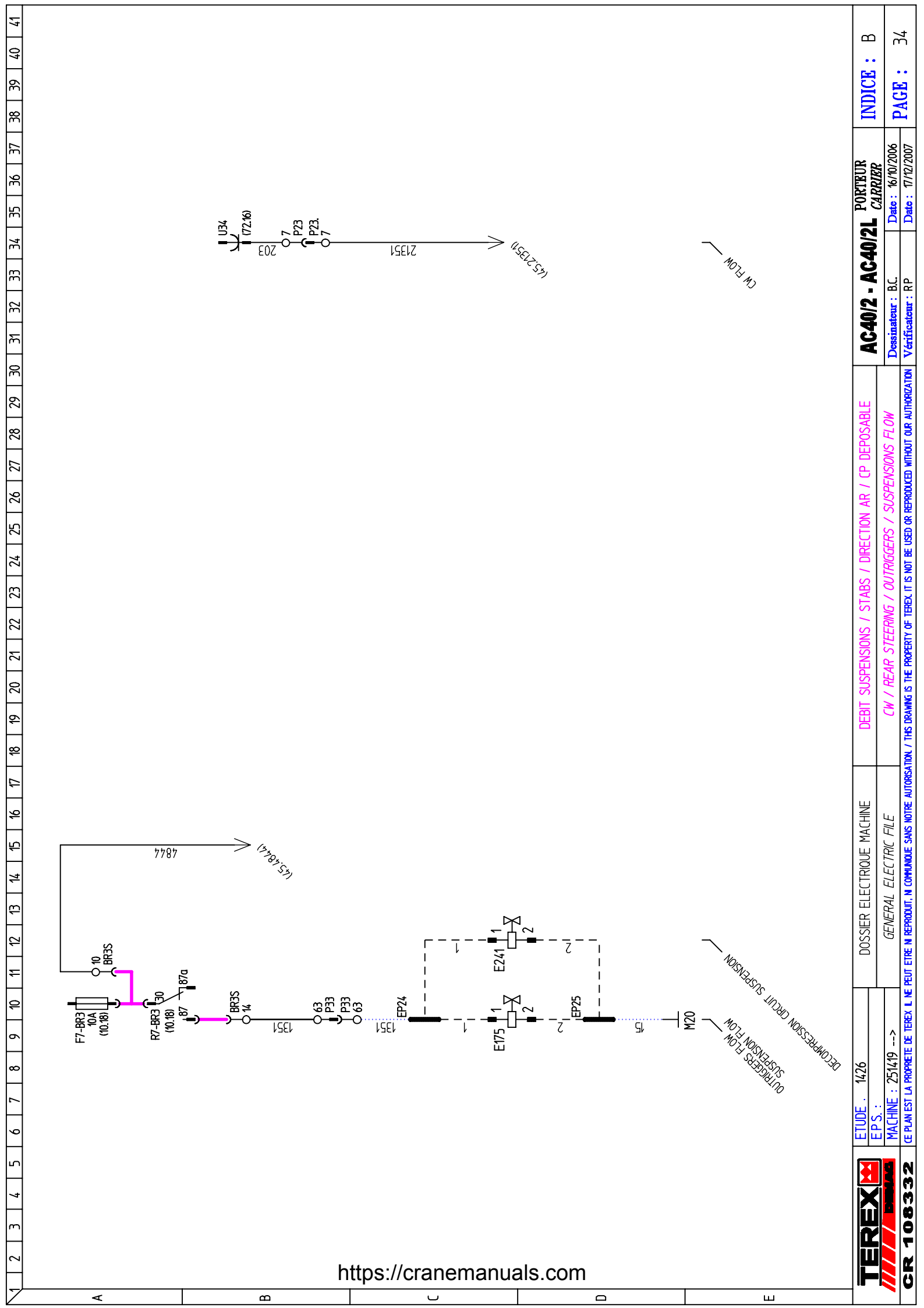
SELECTION RENTREE / SORTIE POUTRES OU PATINS
 OUTRIGGERS BEAMS OR PADS RETRACTION / EXTENSION SELECTION

PORTEUR
 CARRIER
AC40/2 - AC40/2L
 Dessinateur : B.C.
 Verificateur : RP

Date : 16/10/2006
 Date : 17/12/2007

INDICE : B
 PAGE : 33

CE PLAN EST LA PROPRITE DE TEREX. IL NE PEUT ETRE NI REPRODUIT, NI COMMUNIQUE SANS NOTRE AUTORISATION. / THIS DRAWING IS THE PROPERTY OF TEREX. IT IS NOT BE USED OR REPRODUCED WITHOUT OUR AUTHORIZATION



<https://cranematerials.com>



ETUDE : 1426
 E.P.S. :
 MACHINE : 251419 -->

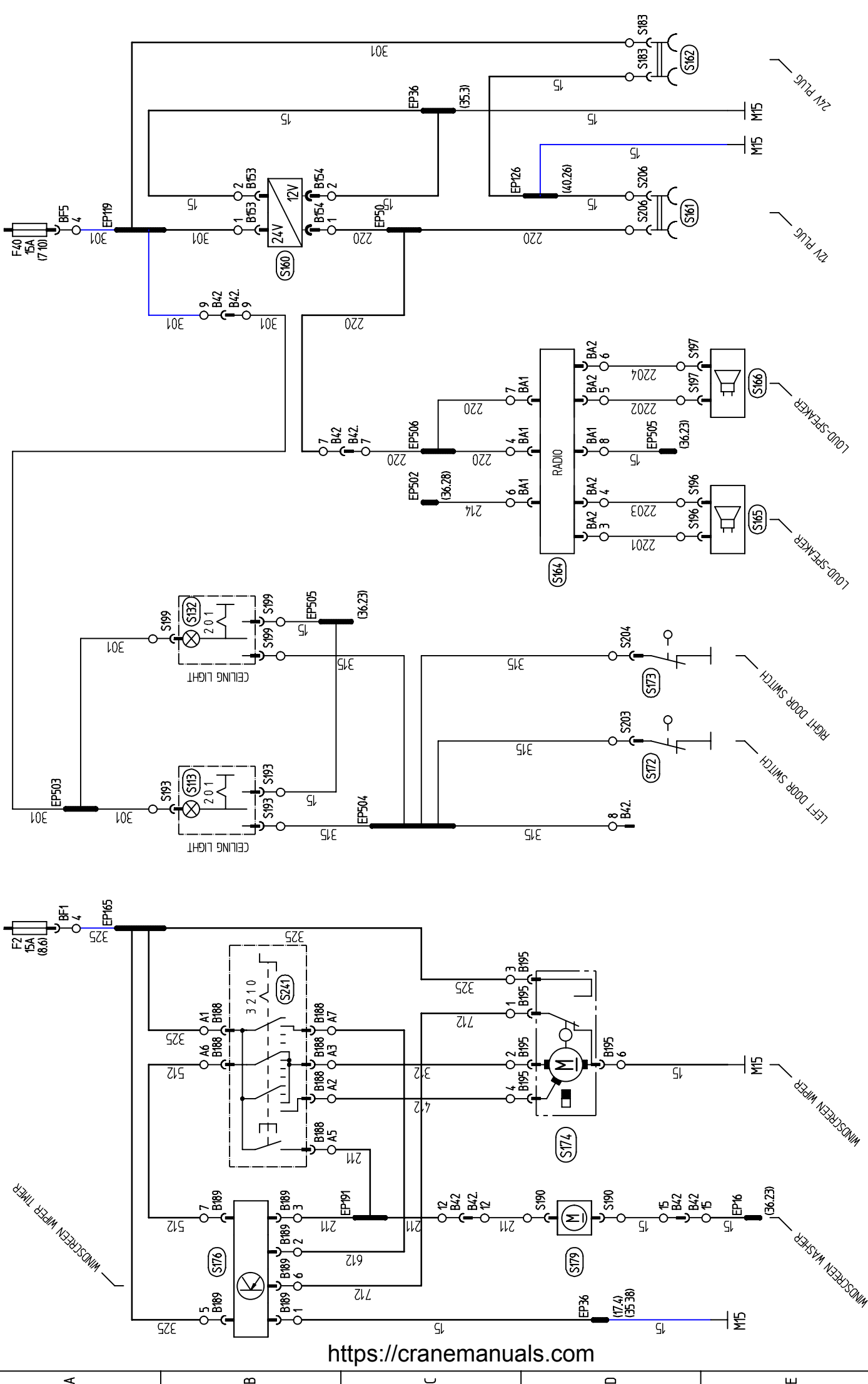
DOSSIER ELECTRIQUE MACHINE
 GENERAL ELECTRIC FILE

DEBIT SUSPENSIONS / STABS / DIRECTION AR / CP DEPOSABLE
 CW / REAR STEERING / OUTRIGERS / SUSPENSIONS FLOW
 CE PLAN EST LA PROPRETE DE TEREX. IL NE PEUT ETRE REPRODUIT, NI COMMUNE SANS NOTRE AUTORISATION. / THIS DRAWING IS THE PROPERTY OF TEREX. IT IS NOT BE USED OR REPRODUCED WITHOUT OUR AUTHORIZATION

AC40/2 - AC40/2L
 Dessinateur : B.C.
 Verificateur : RP

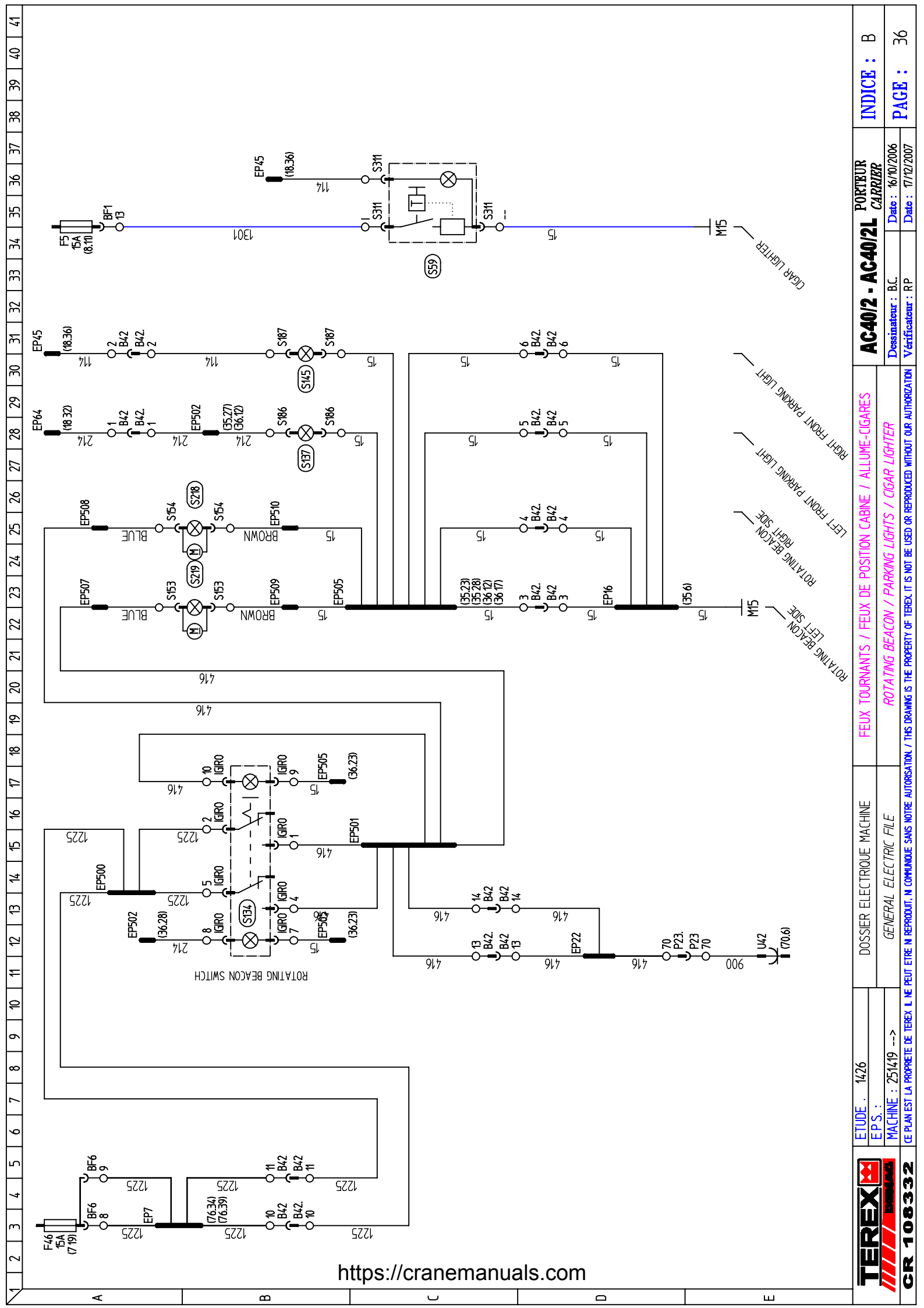
INDICE : B
 PAGE : 34

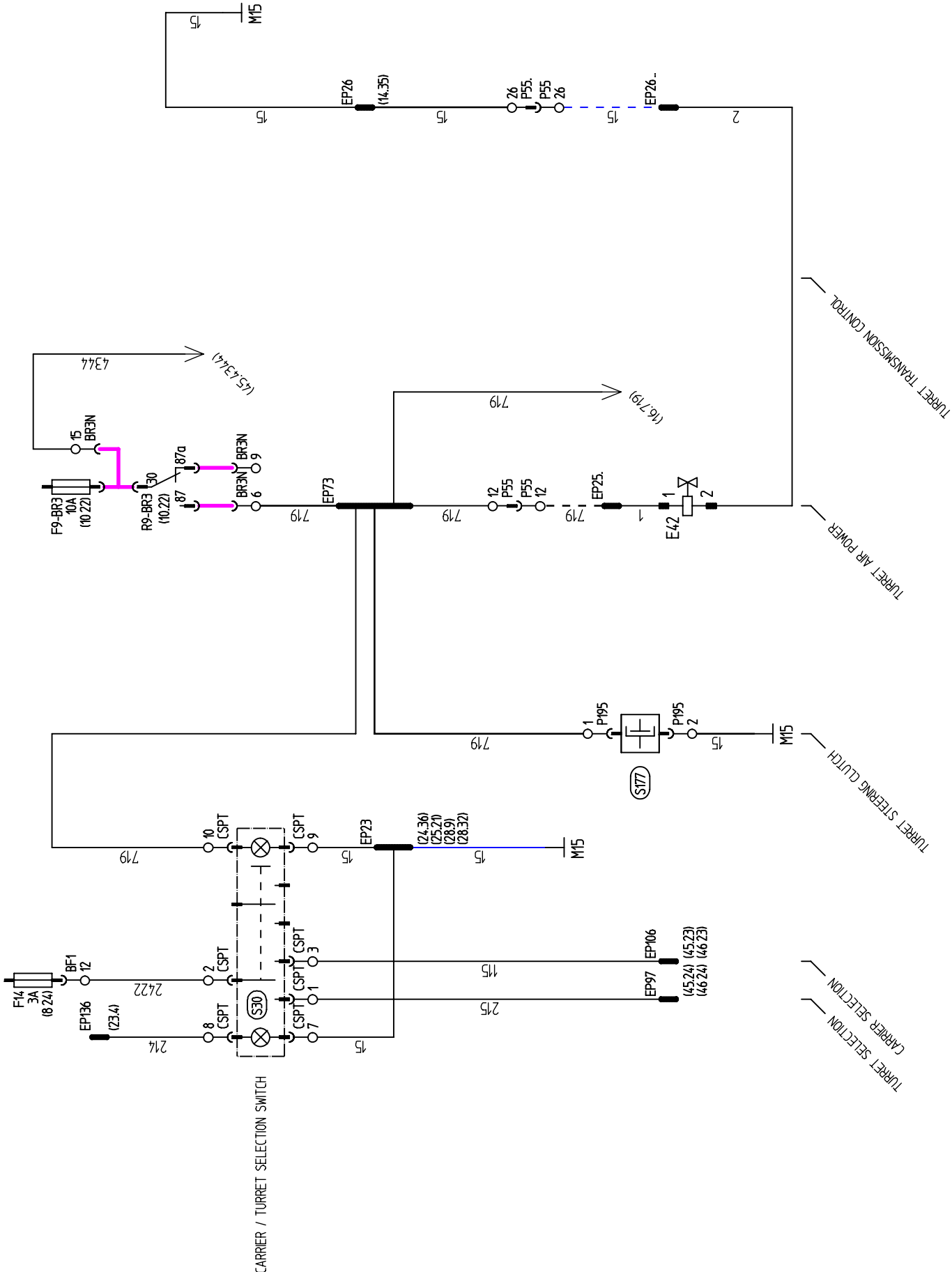
1 2 3 4 5 6 7 8 9 10 11 12 13 14 15 16 17 18 19 20 21 22 23 24 25 26 27 28 29 30 31 32 33 34 35 36 37 38 39 40 41



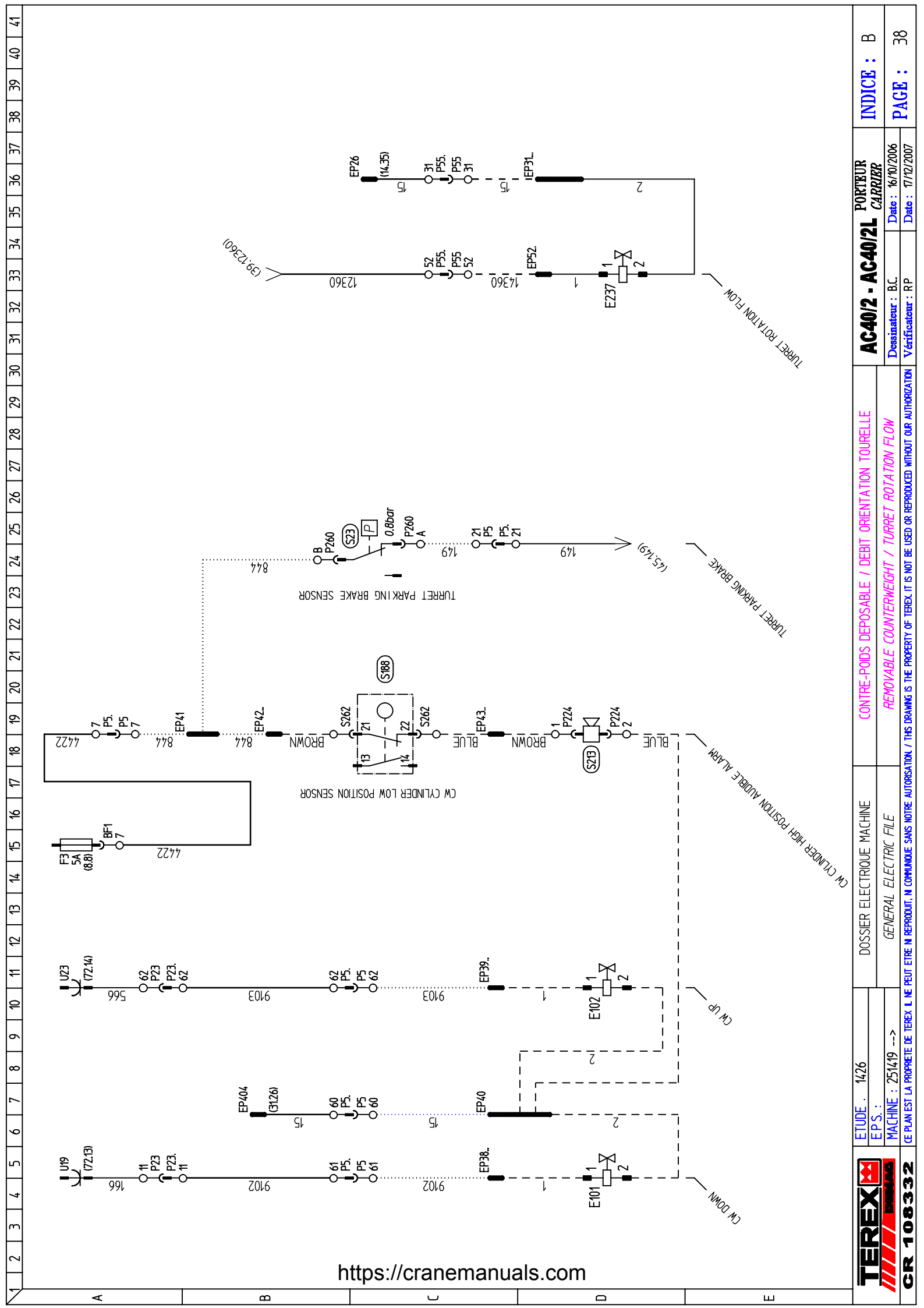
https://cranemanuals.com

CE PLAN EST LA PROPRIETE DE TEREX. IL NE PEUT ETRE NI REPRODUIT, NI COMMUNIQUE SANS NOTRE AUTORISATION / THIS DRAWING IS THE PROPERTY OF TEREX. IT IS NOT BE USED OR REPRODUCED WITHOUT OUR AUTHORIZATION

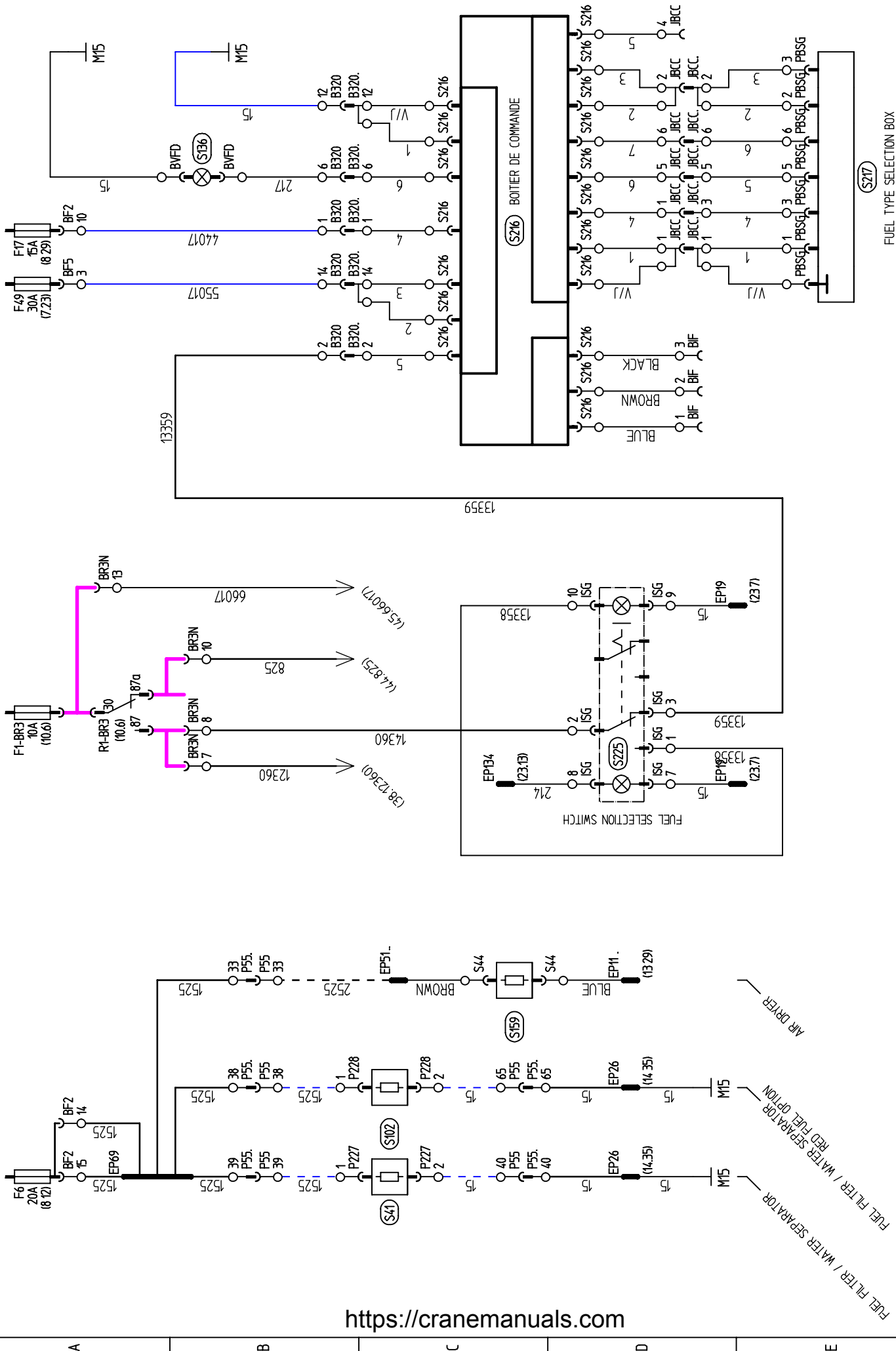




CE PLAN EST LA PROPRITE DE TEREX L NE PEUT ETRE REPRODUIT, N COMMUNE SANS NOTRE AUTORISATION / THIS DRAWING IS THE PROPERTY OF TEREX IT IS NOT BE USED OR REPRODUCED WITHOUT OUR AUTHORIZATION

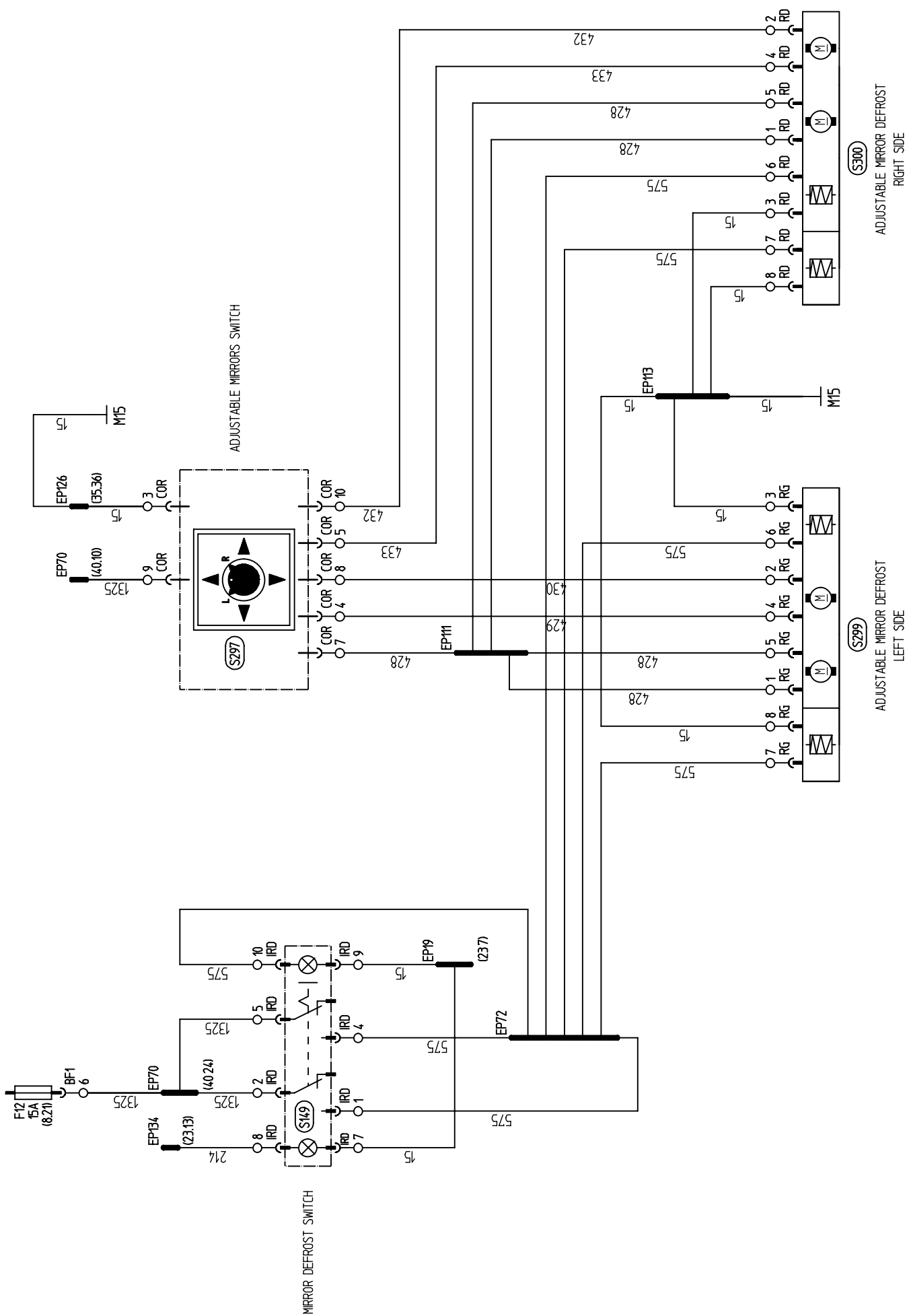


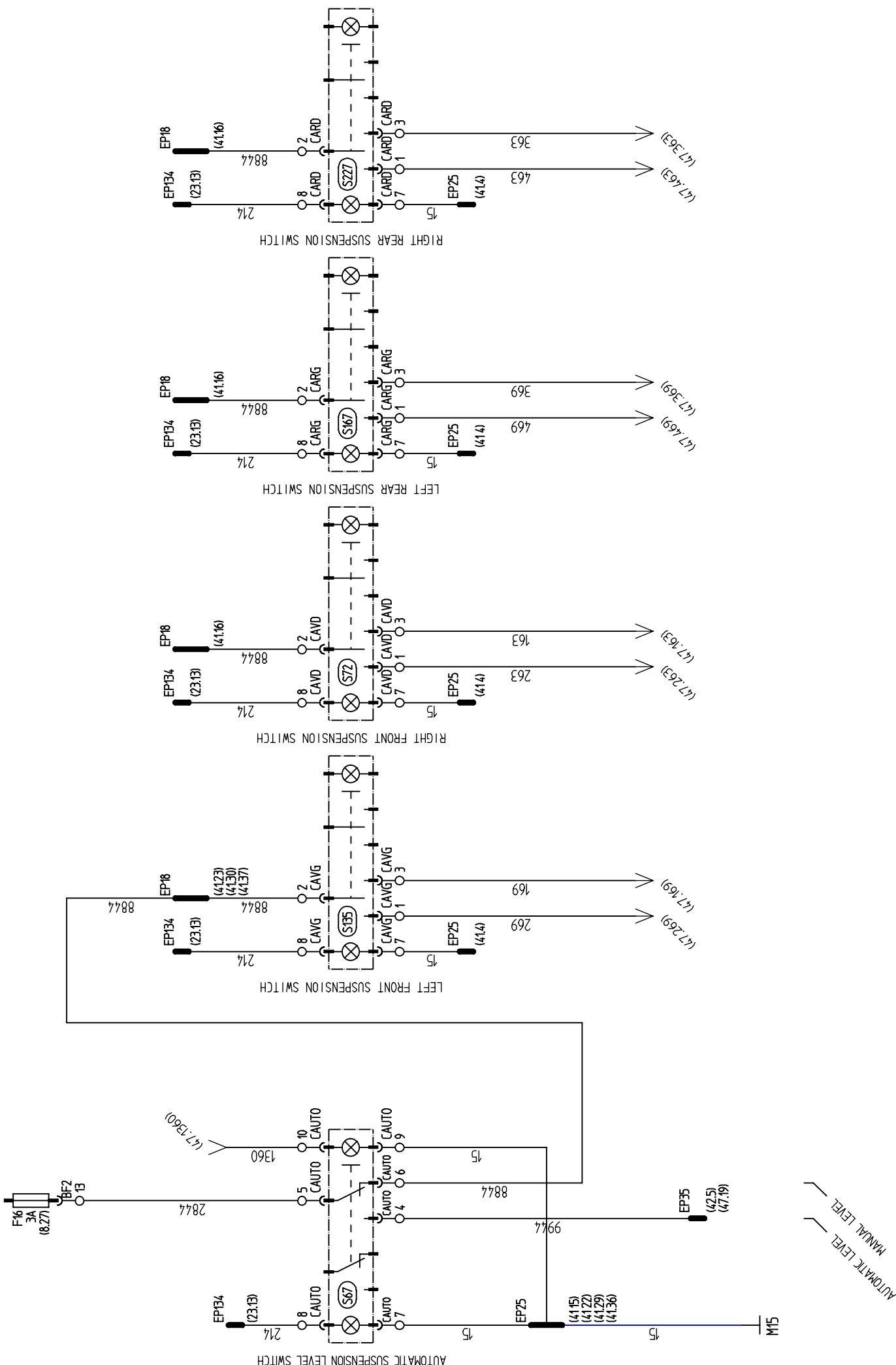
<https://cranemanuals.com>

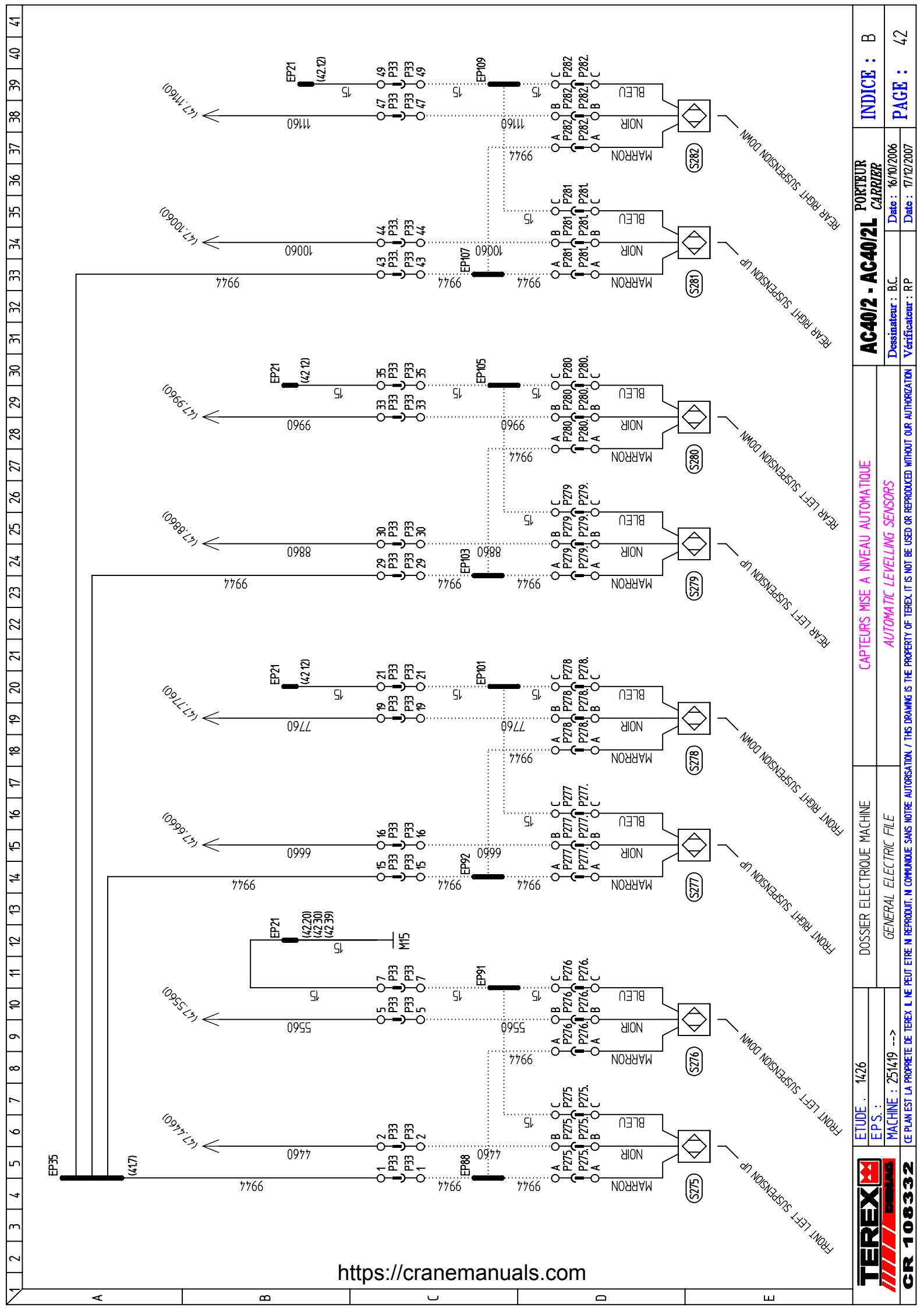


FUEL TYPE SELECTION BOX

1 2 3 4 5 6 7 8 9 10 11 12 13 14 15 16 17 18 19 20 21 22 23 24 25 26 27 28 29 30 31 32 33 34 35 36 37 38 39 40 41

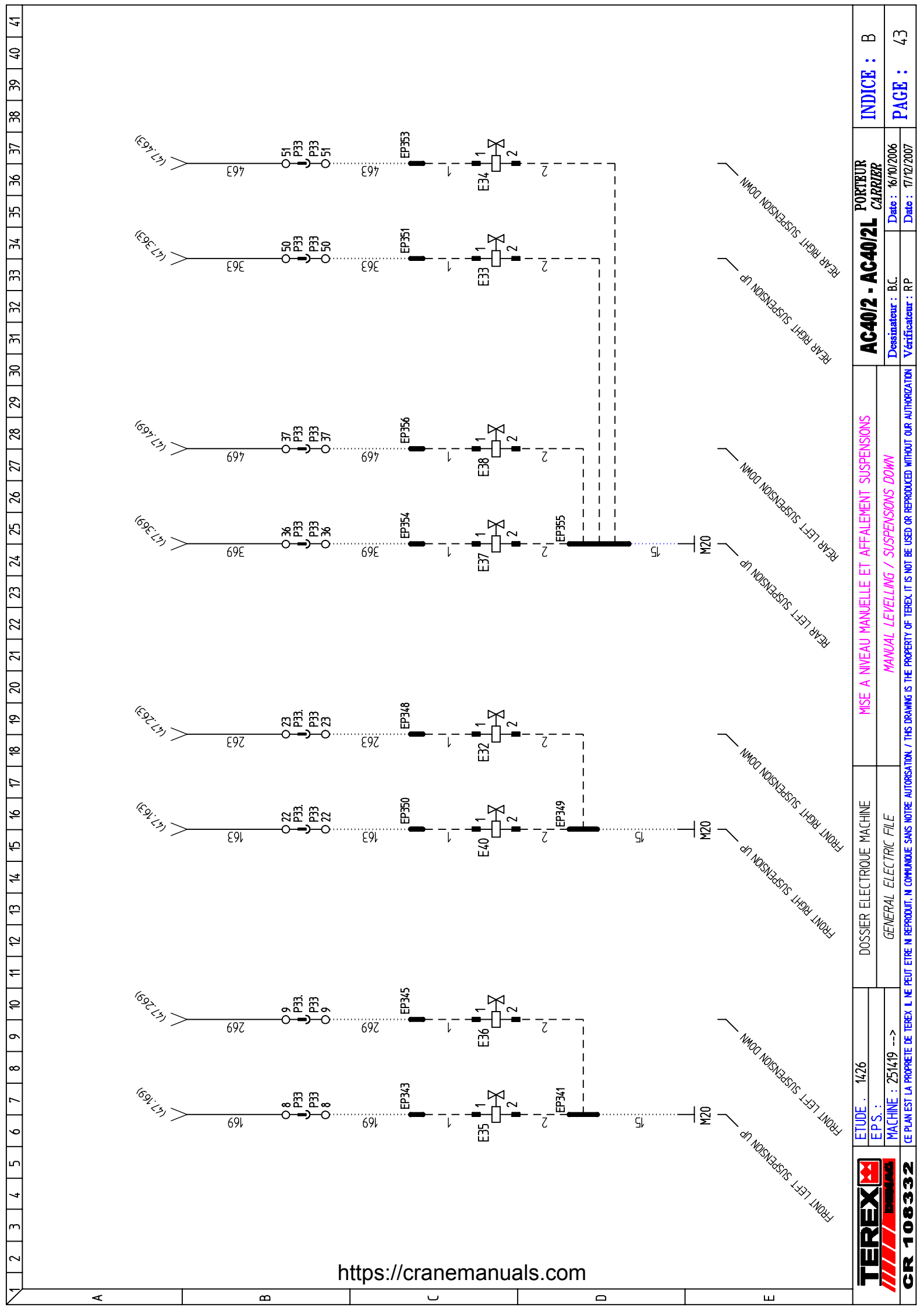






<https://cranemanuals.com>

	ETUDE : 1426	DOSSIER ELECTRIQUE MACHINE	AC40/2 - AC40/2L PORTEUR CARRIER	INDICE : B
	MACHINE : 251419 -->	GENERAL ELECTRIC FILE		Dessinateur : B.C.
CE PLAN EST LA PROPRITE DE TEREX L NE PEUT ETRE NI REPRODUIT, NI COMMUNE Sans NOTRE AUTORSATION / THIS DRAWING IS THE PROPERTY OF TEREX IT IS NOT BE USED OR REPRODUCED WITHOUT OUR AUTHORIZATION		CAPTEURS MISE A NIVEAU AUTOMATIQUE AUTOMATIC LEVELLING SENSORS		Verificateur : RP Date : 17/12/2007
CR 108332				PAGE : 42



<https://cranemanuals.com>



CR 108332

ETUDE : 1426
E.P.S. :
MACHINE : 251419 -->

DOSSIER ELECTRIQUE MACHINE
GENERAL ELECTRIC FILE

MISE A NIVEAU MANUELLE ET AFFALEMENT SUSPENSIONS
MANUAL LEVELLING / SUSPENSIONS DOWN

AC40/2 - AC40/2L
CARRIER

INDICE : B
PAGE : 43

Date : 16/10/2006
Date : 17/12/2007

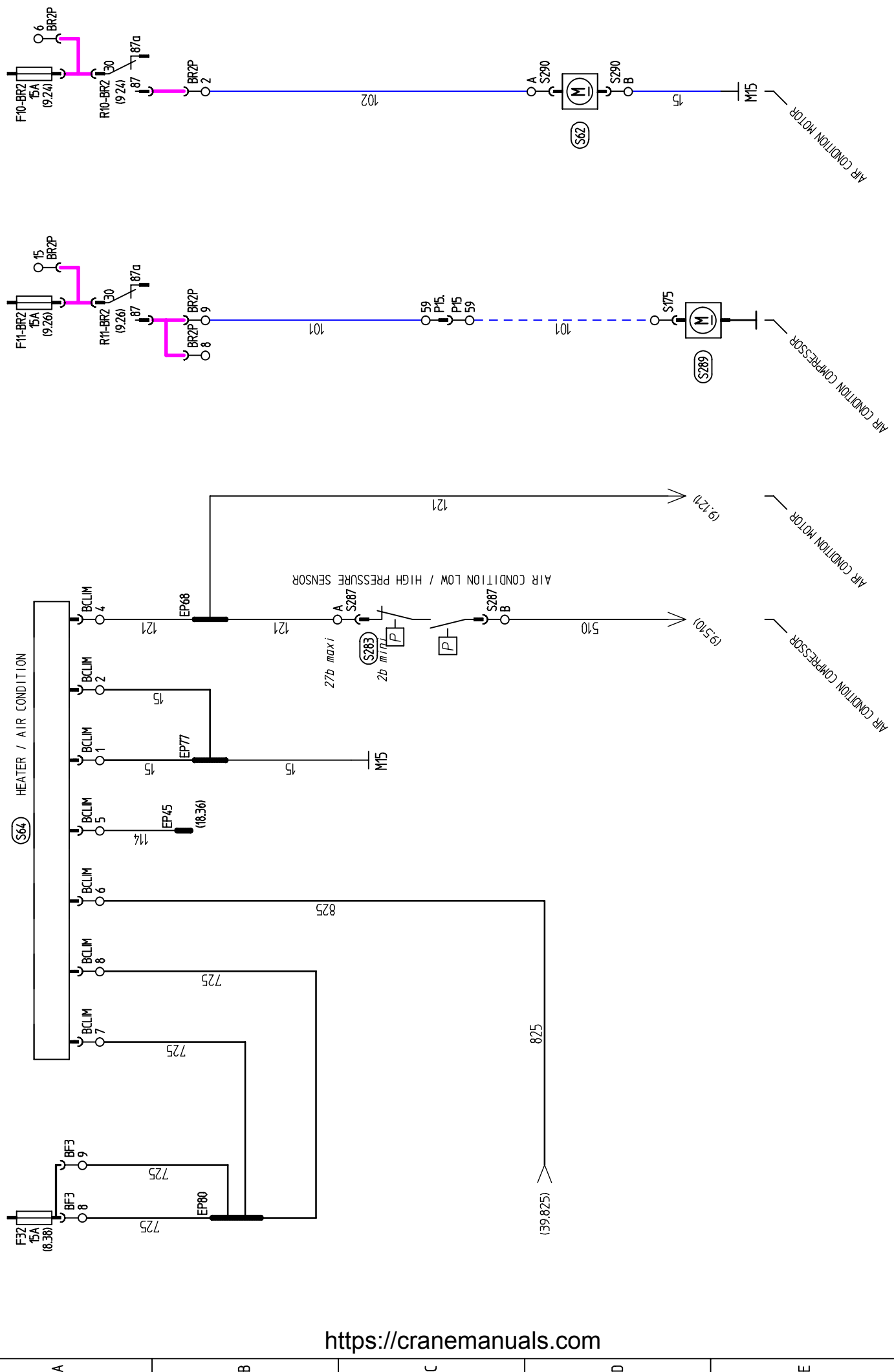
Dessinateur : B.C.
Verificateur : RP

PORTEUR


INDICE : B

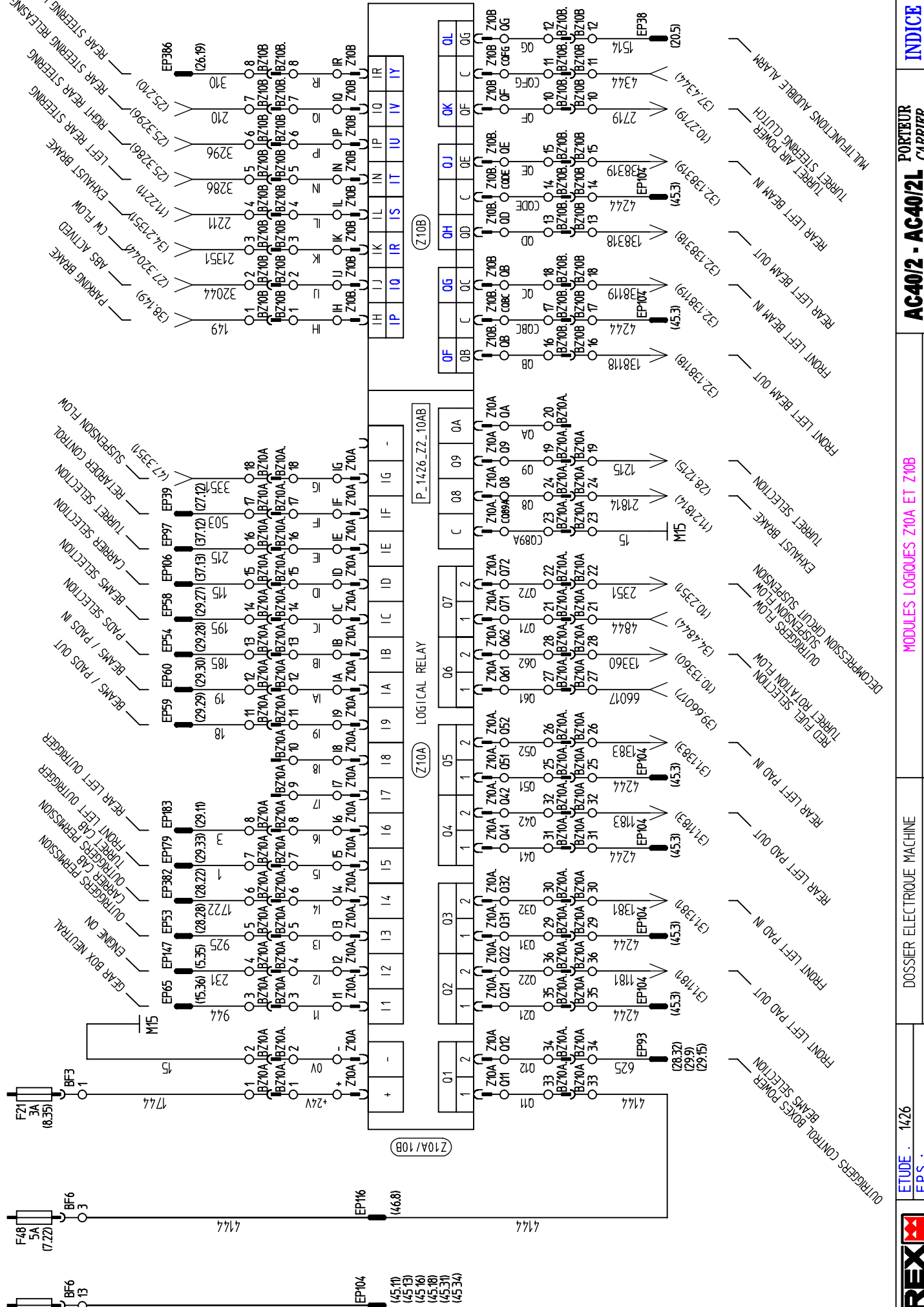
PAGE : 43

1 2 3 4 5 6 7 8 9 10 11 12 13 14 15 16 17 18 19 20 21 22 23 24 25 26 27 28 29 30 31 32 33 34 35 36 37 38 39 40 41

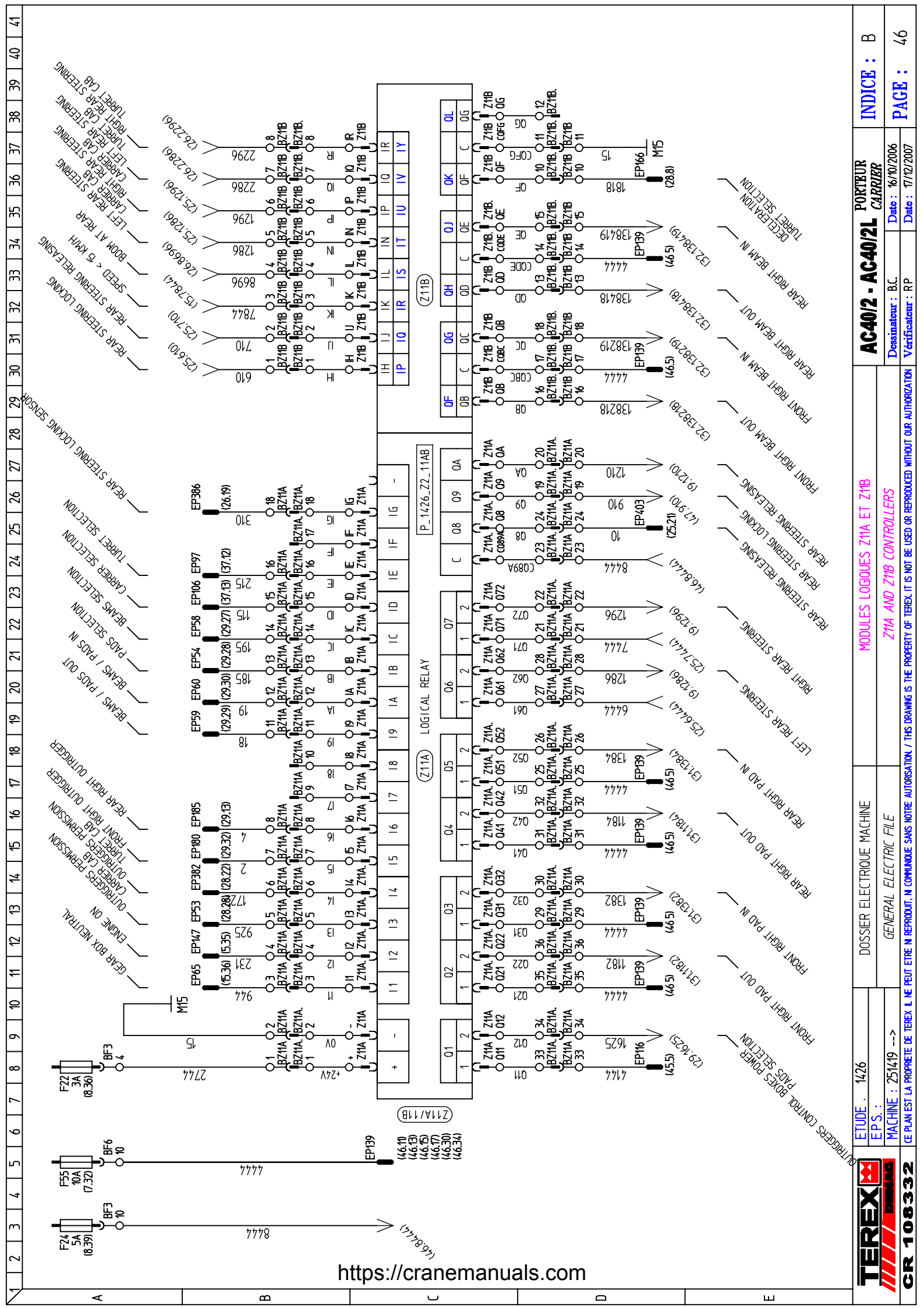


<https://cranemanuals.com>

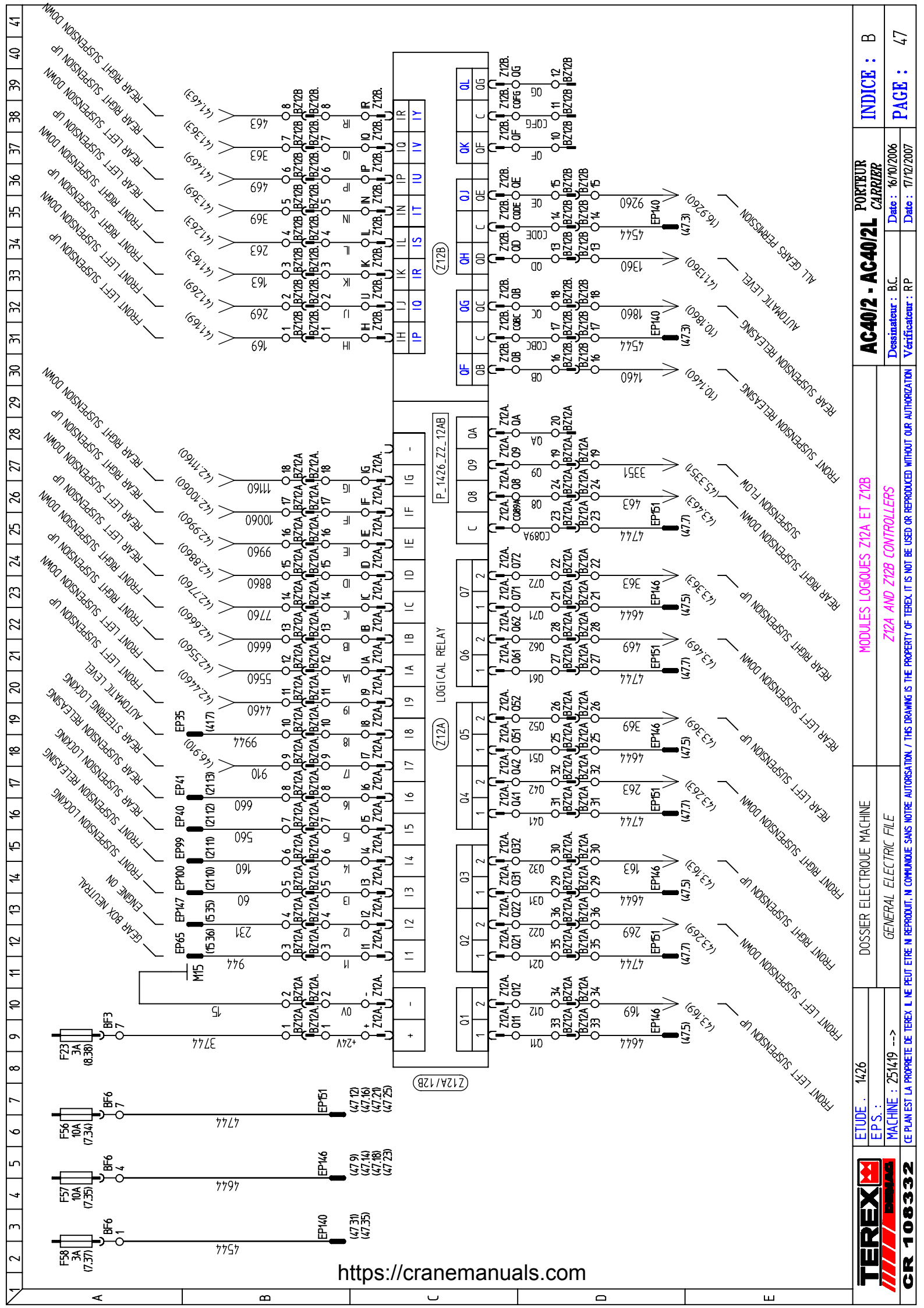
 CR 108332	ETUDE : 1426 EPS : MACHINE : 251419 -->	DOSSIER ELECTRIQUE MACHINE GENERAL ELECTRIC FILE	CHAUFFAGE / CLIMATISATION HEATER / AIR CONDITION	AC40/2 - AC40/2L PORTEUR CARRIER	INDICE : B
	CE PLAN EST LA PROPRIETE DE TEREX L NE PEUT ETRE NI REPRODUIT, NI COMMUNIQUE SANS NOTRE AUTORISATION / THIS DRAWING IS THE PROPERTY OF TEREX IT IS NOT BE USED OR REPRODUCED WITHOUT OUR AUTHORIZATION	Dessinateur : B.C. Verificateur : RP	Date : 16/10/2006 Date : 17/12/2007	PAGE : 44	



		ETUDE : 1426	DOSSIER ELECTRIQUE MACHINE	AC40/2L - AC40/2L	PORTEUR	INDICE : B
		E.P.S. :	GENERAL ELECTRIC FILE	CARRIER	CARRIER	
		MACHINE : 251419 -->				Date : 16/10/2006
CE PLAN EST LA PROPRITE DE TEREX. IL NE PEUT ETRE REPRODUIT, NI COMMUNIQUE SANS NOTRE AUTORISATION. / THIS DRAWING IS THE PROPERTY OF TEREX. IT IS NOT BE USED OR REPRODUCED WITHOUT OUR AUTHORIZATION. / Vérificateur : RP						

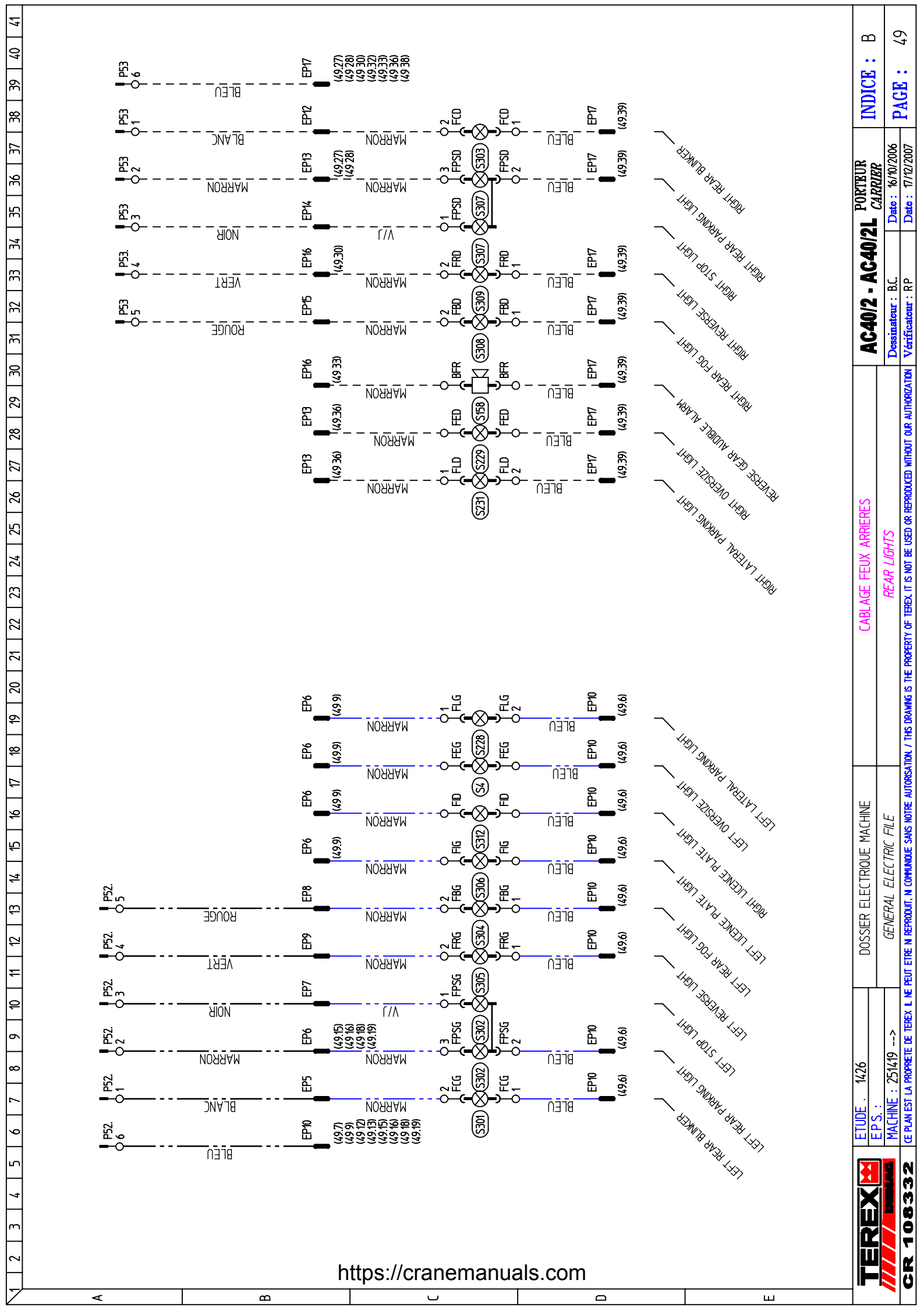


<https://cranemanuals.com>



<https://cranemanuals.com>

1	2	3	4	5	6	7	8	9	10	11	12	13	14	15	16	17	18	19	20	21	22	23	24	25	26	27	28	29	30	31	32	33	34	35	36	37	38	39	40	41																									
A	B	C	D	E																																																													
																																	https://cranemanuals.com																																
																																	TEREX CR 108332																																
																																	ETUDE : 1426 E.P.S. : MACHINE : 251419 -->																																
																																	DOSSIER ELECTRIQUE MACHINE GENERAL ELECTRIC FILE																																
																																	REPARTITEUR CAN J1939 CAN J1939 DISTRIBUTOR																																
																																	AC40/2 - AC40/2L PORTEUR CARRIER																																
																																	Dessinateur : B.C. Verificateur : RP																																
																																	Date : 30/03/2007 Date : 17/12/2007																																
																																	INDICE : B PAGE : 48																																
																																	CE PLAN EST LA PROPRIETE DE TEREX L NE PEUT ETRE NI REPRODUIT, NI COMMUNIQUE SANS NOTRE AUTORISATION / THIS DRAWING IS THE PROPERTY OF TEREX IT IS NOT BE USED OR REPRODUCED WITHOUT OUR AUTHORIZATION																																



<https://cranemanuals.com>



CR 108332

ETUDE : 1426
E.P.S. :
MACHINE : 251419 -->

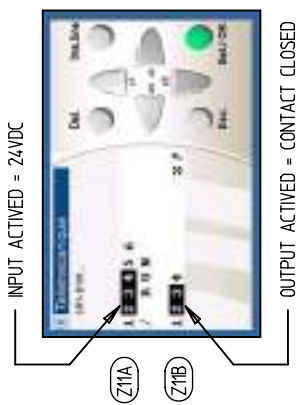
DOSSIER ELECTRIQUE MACHINE
GENERAL ELECTRIC FILE

CABLAGE FEUX ARRIERES
REAR LIGHTS

AC40/2 - AC40/2L CARRIER
Dessinateur : B.C.
Date : 16/10/2006
Vérificateur : RP
Date : 17/12/2007

INDICE : B
PAGE : 49

LOGICAL RELAY



PROGRAM PART NUMBER P_1426_ZZ_11AB
 ELECTRIC DIAGRAM SEE PAGE (46/19)

- INPUTS/OUTPUTS NOT ACTIVATED NECESSARILY
- INPUTS ON / OFF = OUTPUTS ON / ON
- MINIMUM ONE INPUT/OUTPUT ACTIVATED
- INPUTS ON / ON = OUTPUTS ON / OFF

● COMPULSORIES INPUTS/OUTPUTS FOR THE FUNCTION

NOTA

1 QF/OK = 1 PENDANT 1 SECONDE / DURING 1 SECOND

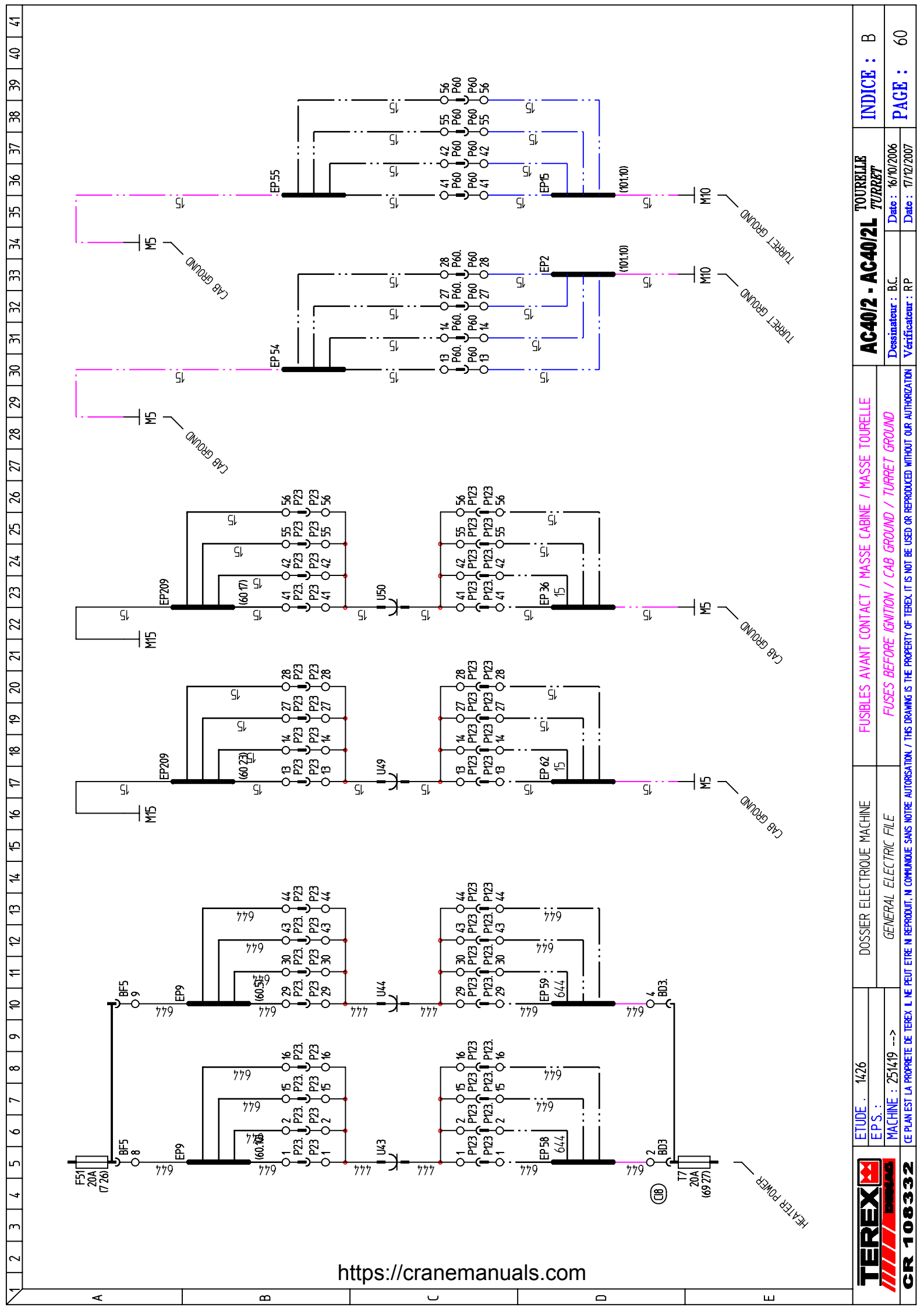
FONCTIONS / FUNCTIONS

REAR STEERING LOCKING
 REAR STEERING RELEASING
 FRONT RIGHT BEAM OUT
 FRONT RIGHT BEAM IN
 REAR RIGHT BEAM OUT
 REAR RIGHT BEAM IN
 DECELERATION

- GEAR BOX NEUTRAL
- EMG ON
- OUTRIGGERS PERMISSION
- FRONT RIGHT OUTRIGGER
- FRONT LEFT OUTRIGGER
- BEAMS / PARS IN
- BEAMS / PARS OUT
- CAMPER SELECTION
- TURRET SELECTION
- REAR STEERING LOCKING
- REAR STEERING RELEASING
- BOOM > 15 KNH
- LEFT REAR STEERING
- RIGHT REAR STEERING
- LEFT REAR STEERING
- RIGHT REAR STEERING

ENTREES / INPUTS										SORTIES / OUTPUTS										NOTA																														
1	2	3	4	5	6	7	8	9	10	11	12	13	14	15	16	17	18	19	20	21	22	23	24	25	26	27	28	29	30	31	32	33	34	35	36	37	38	39	40	41										
I	P	I	Q	I	R	I	S	I	T	I	U	I	V	I	Y	I	Q	I	R	I	S	I	T	I	U	I	V	I	Y	Q	F	O	K	O	J	O	K	O	F	O	G	O	E	O	F	O	G			
●	●	●	●	●	●	●	●	●	●	●	●	●	●	●	●	●	●	●	●	●	●	●	●	●	●	●	●	●	●	●	●	●	●	●	●	●	●	●	●	●	●	●	●	●	●	●	●	●	●	
●	●	●	●	●	●	●	●	●	●	●	●	●	●	●	●	●	●	●	●	●	●	●	●	●	●	●	●	●	●	●	●	●	●	●	●	●	●	●	●	●	●	●	●	●	●	●	●	●	●	

- REAR STEERING LOCKING
- REAR STEERING RELEASING
- FRONT RIGHT BEAM OUT
- FRONT RIGHT BEAM IN
- FRONT LEFT BEAM OUT
- FRONT LEFT BEAM IN
- REAR RIGHT BEAM OUT
- REAR RIGHT BEAM IN
- REAR LEFT BEAM OUT
- REAR LEFT BEAM IN
- REAR STEERING LOCKING
- REAR STEERING RELEASING
- FRONT RIGHT BEAM OUT
- FRONT RIGHT BEAM IN
- FRONT LEFT BEAM OUT
- FRONT LEFT BEAM IN
- REAR RIGHT BEAM OUT
- REAR RIGHT BEAM IN
- REAR LEFT BEAM OUT
- REAR LEFT BEAM IN
- REAR STEERING LOCKING
- REAR STEERING RELEASING
- FRONT RIGHT BEAM OUT
- FRONT RIGHT BEAM IN
- FRONT LEFT BEAM OUT
- FRONT LEFT BEAM IN
- REAR RIGHT BEAM OUT
- REAR RIGHT BEAM IN
- REAR LEFT BEAM OUT
- REAR LEFT BEAM IN



<https://cranemanuals.com>



CR 108332

ETUDE : 1426
 EPS :
 MACHINE : 251419 -->

DOSSIER ELECTRIQUE MACHINE
 GENERAL ELECTRIC FILE

FUSIBLES AVANT CONTACT / MASSE CABINE / MASSE TOURELLE
 FUSES BEFORE IGNITION / CAB GROUND / TURRET GROUND

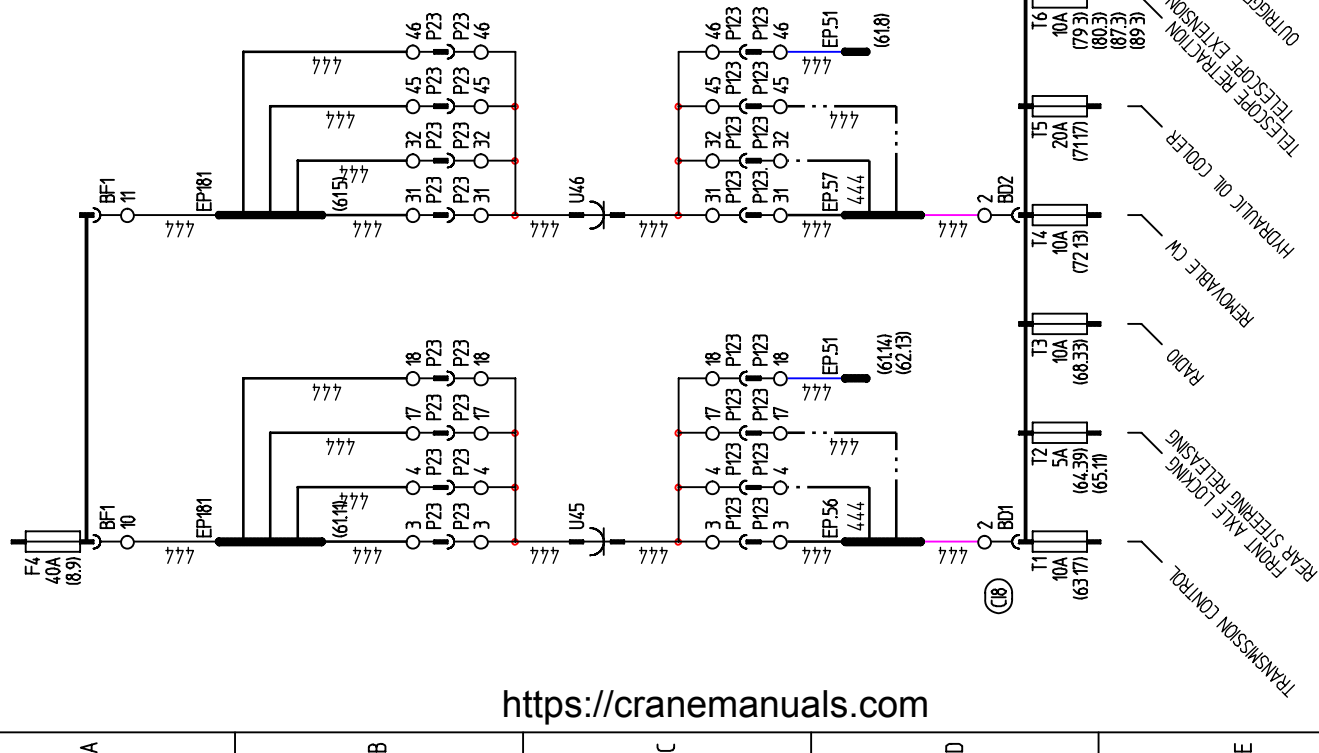
TOURELLE
 TURRET

INDICE : B
 PAGE : 60

Date : 16/10/2006
 Date : 17/12/2007

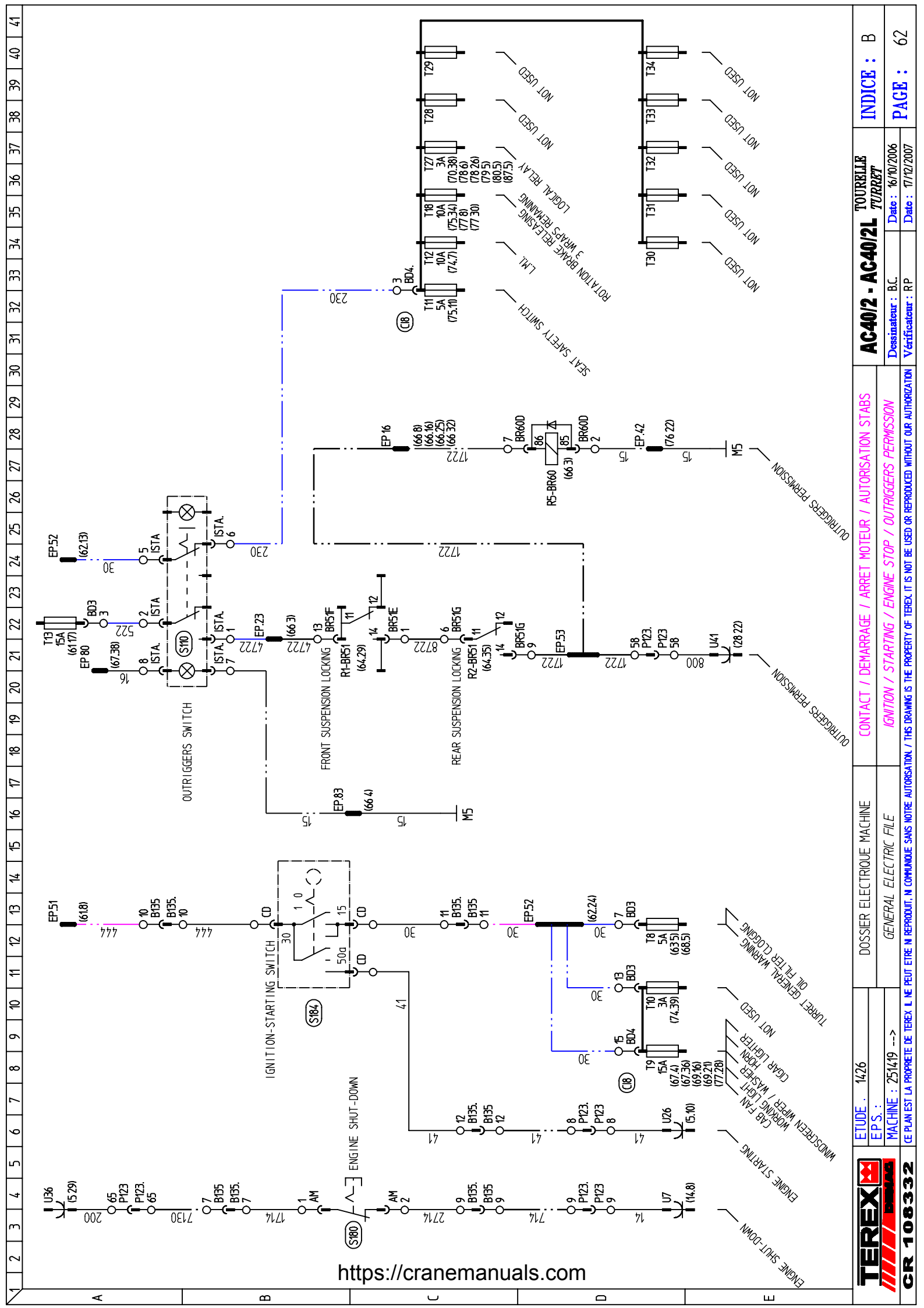
Dessinateur : B.C.
 Verificateur : RP

CE PLAN EST LA PROPRETE DE TEREX. IL NE PEUT ETRE NI REPRODUIT, NI COMMUNIQUE SANS NOTRE AUTORISATION. / THIS DRAWING IS THE PROPERTY OF TEREX. IT IS NOT BE USED OR REPRODUCED WITHOUT OUR AUTHORIZATION



<https://cranemanuals.com>

CE PLAN EST LA PROPRIETE DE TEREX L NE PEUT ETRE NI REPRODUIT, NI COMMUNIQUE SANS NOTRE AUTORISATION / THIS DRAWING IS THE PROPERTY OF TEREX IT IS NOT BE USED OR REPRODUCED WITHOUT OUR AUTHORIZATION

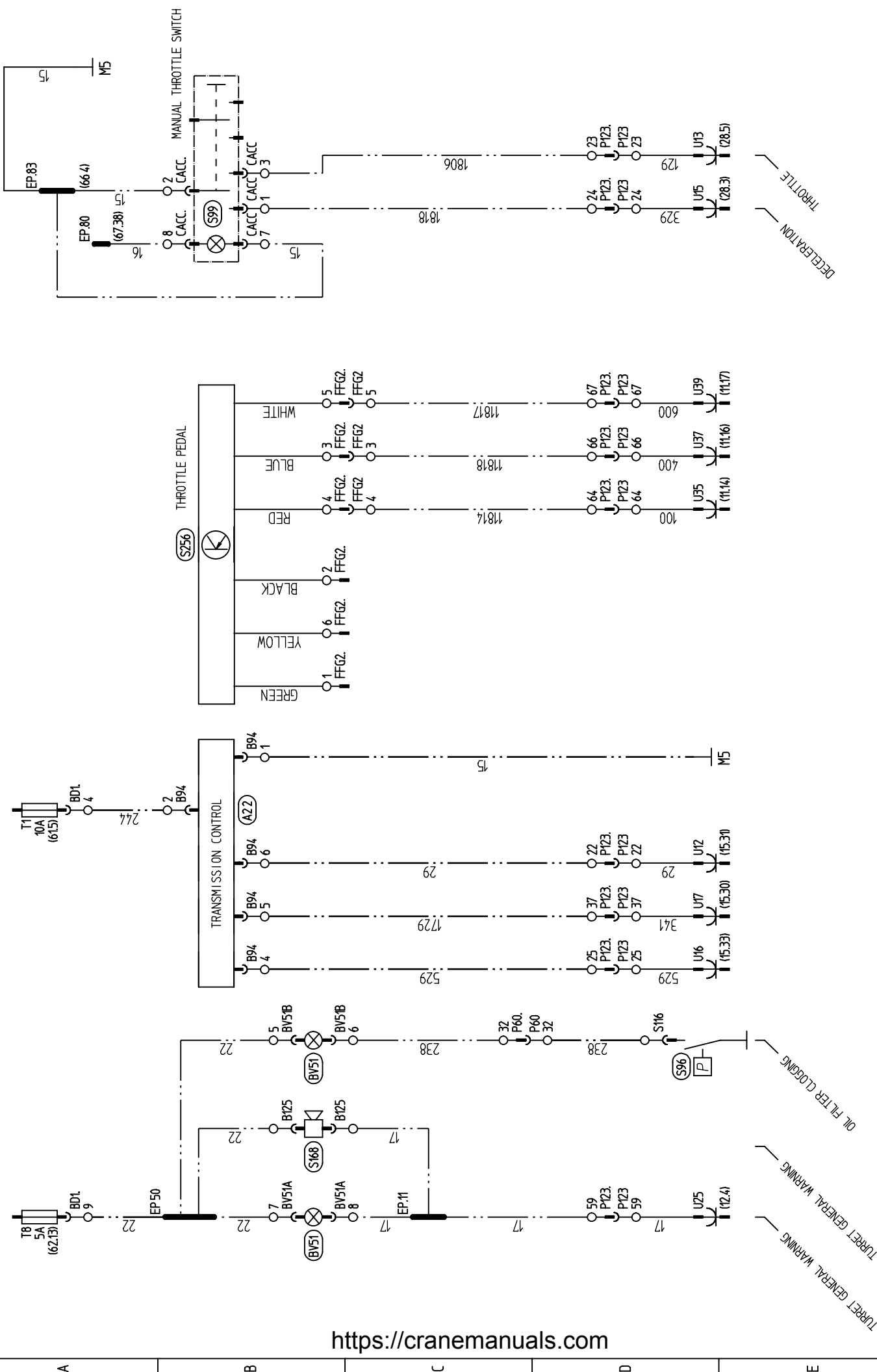


<https://cranemanuals.com>

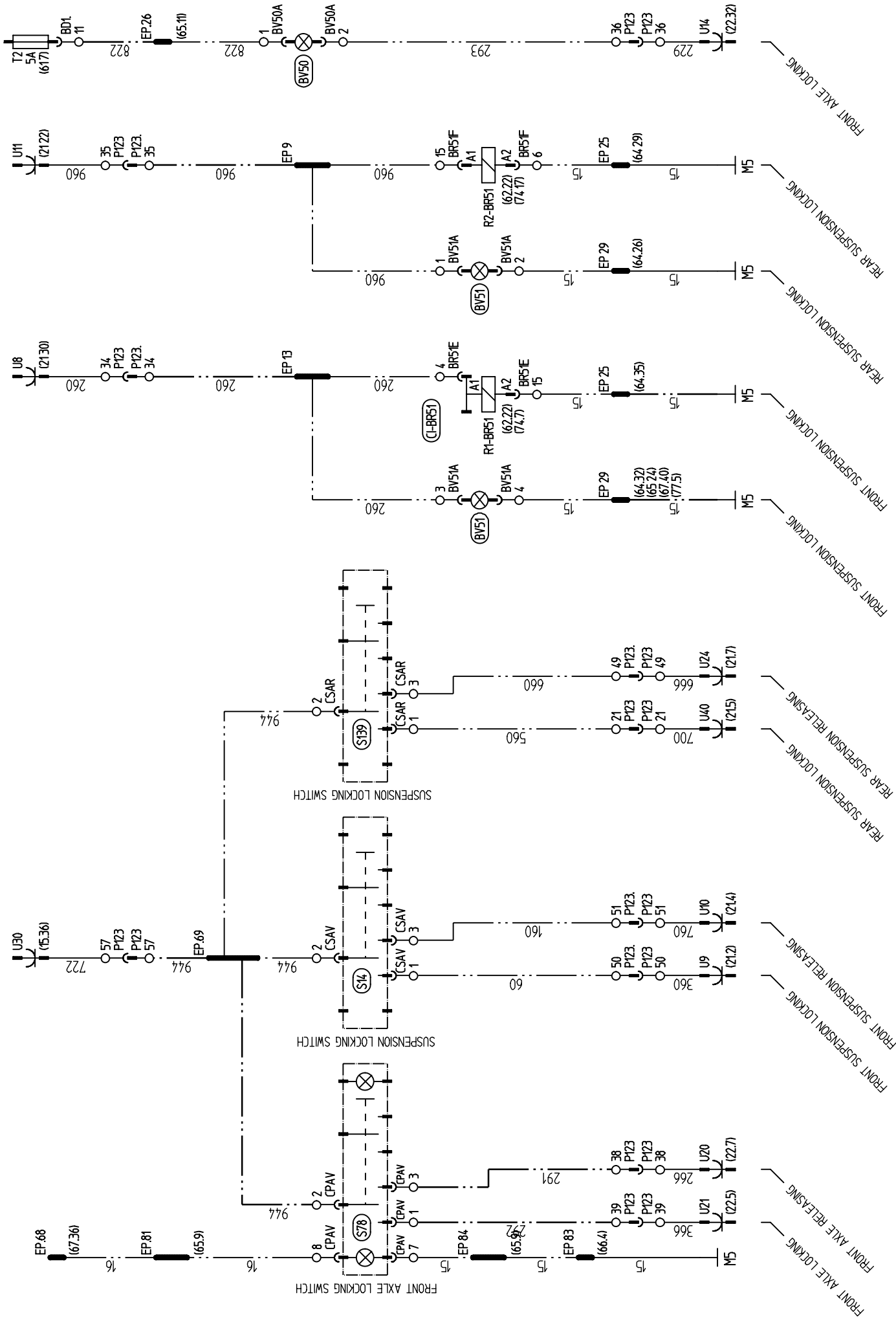
	ETUDE : 1426	DOSSIER ELECTRIQUE MACHINE	CONTACT / DEMARRAGE / ARRÊT MOTEUR / AUTORISATION STABS	TOURBILLON	INDICE : B
	E.P.S. :	GENERAL ELECTRIC FILE	IGNITION / STARTING / ENGINE STOP / OUTRIGGERS PERMISSION	TURRET	PAGE : 62
	MACHINE : 251419 -->				

CE PLAN EST LA PROPRIÉTÉ DE TEREX. IL NE PEUT ÊTRE NI REPRODUIT, NI COMMUNIQUÉ SANS NOTRE AUTORISATION. / THIS DRAWING IS THE PROPERTY OF TEREX. IT IS NOT BE USED OR REPRODUCED WITHOUT OUR AUTHORIZATION

Date : 16/10/2006
Date : 17/12/2007



1 2 3 4 5 6 7 8 9 10 11 12 13 14 15 16 17 18 19 20 21 22 23 24 25 26 27 28 29 30 31 32 33 34 35 36 37 38 39 40 41



CR 10832

ETUDE : 1426
 E.P.S. :
 MACHINE : 251419 -->

DOSSIER ELECTRIQUE MACHINE
 GENERAL ELECTRIC FILE

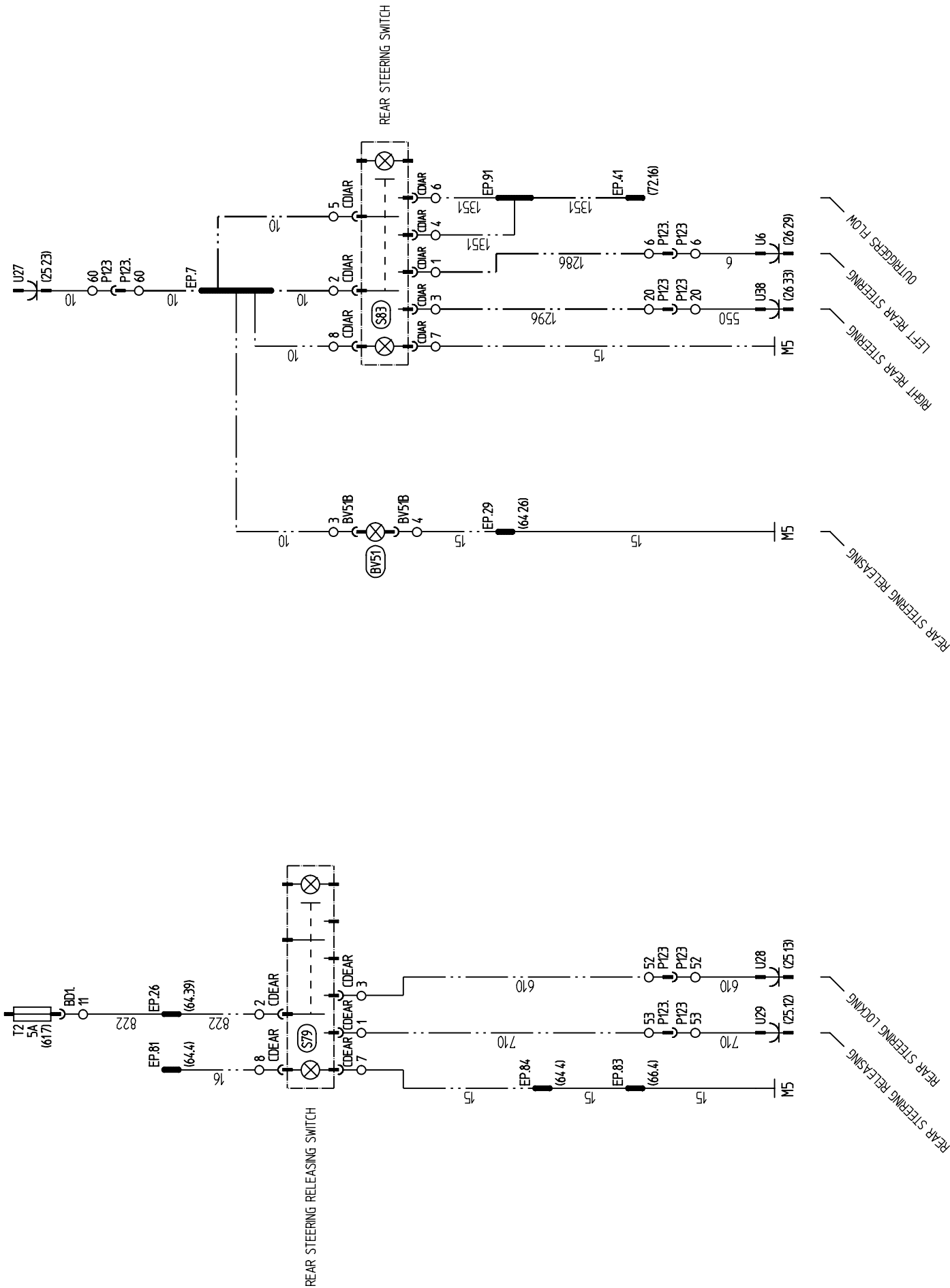
SUSPENSIONS / PONT AVANT
 SUSPENSIONS / FRONT AXLE

AC40/2 - AC40/2L
 TOURREILLE
 TURRET

Dessinateur : B.C.
 Date : 16/10/2006
 Verificateur : R.P.
 Date : 17/12/2007

INDICE : B
 PAGE : 64

CE PLAN EST LA PROPRITE DE TEREX L NE PEUT ETRE NI REPRODUIT, NI COMMUNE SANS NOTRE AUTORISATION / THIS DRAWING IS THE PROPERTY OF TEREX IT IS NOT BE USED OR REPRODUCED WITHOUT OUR AUTHORIZATION

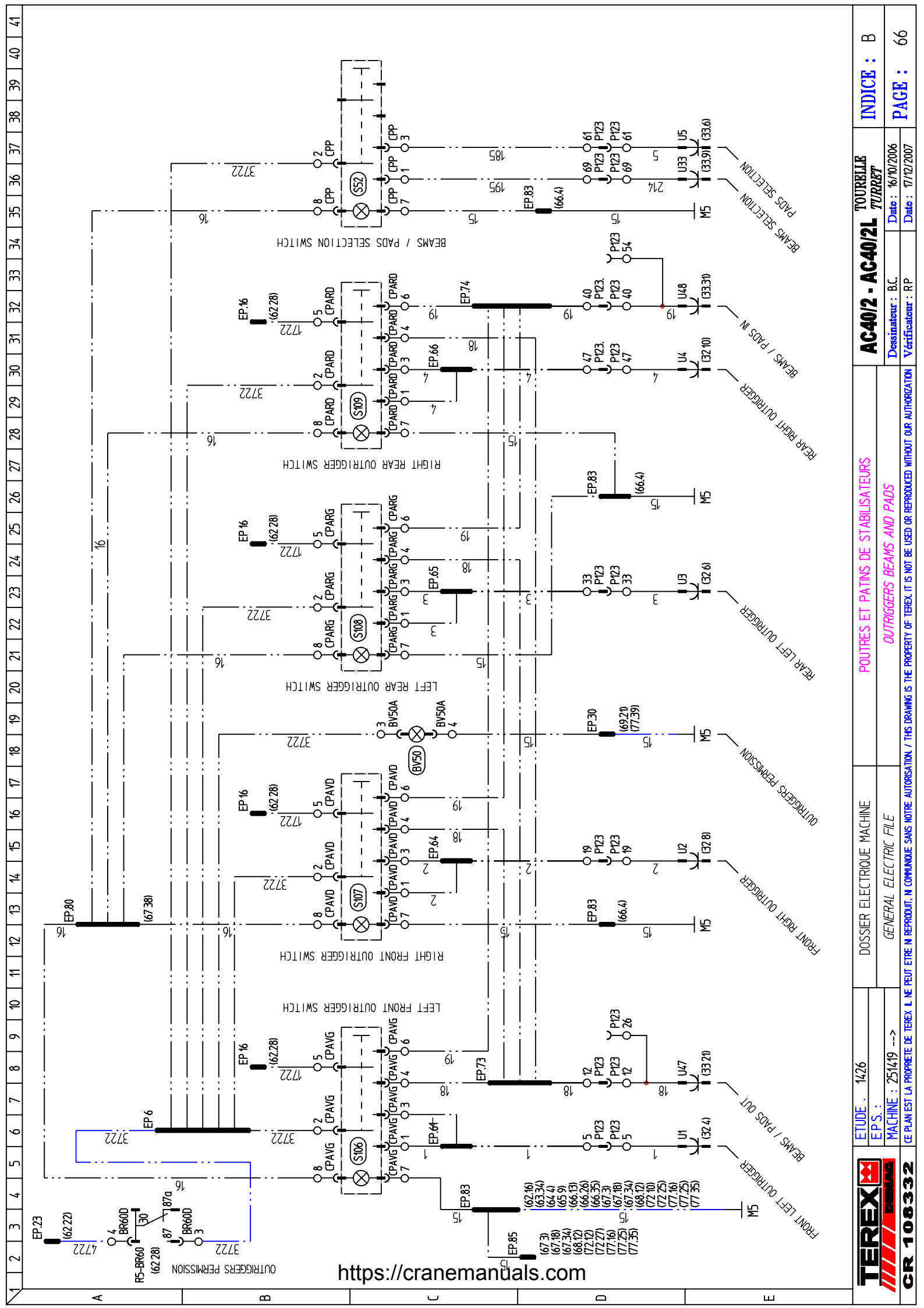


ETUDE : 1426
 E.P.S. :
 MACHINE : 251419 -->

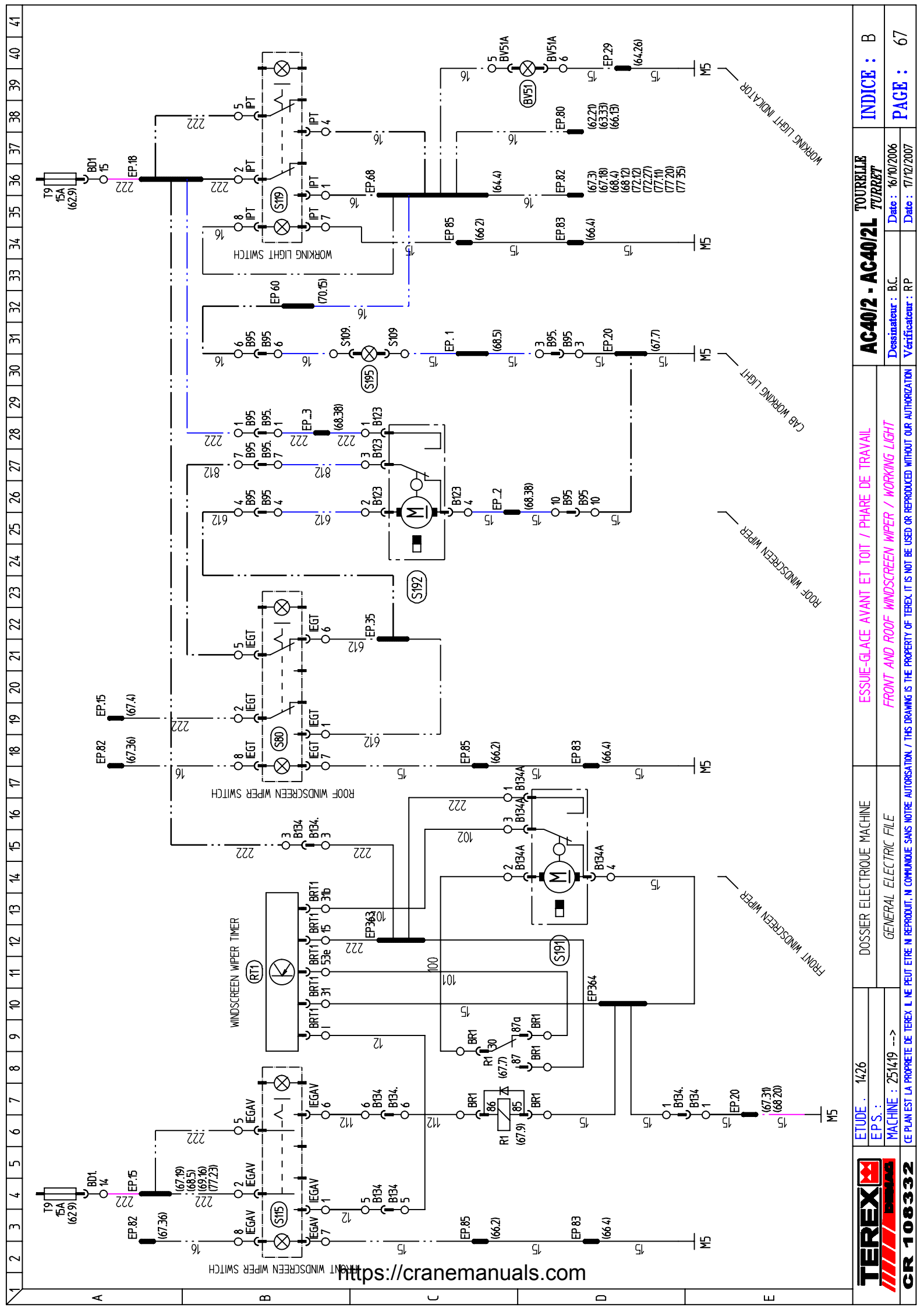
DOSSIER ELECTRIQUE MACHINE
 GENERAL ELECTRIC FILE

DIRECTION ARRIERE
 REAR STEERING

TOURBILLE
 TURRET
 AC40/2 - AC40/2L
 Dessinateur : B.C.
 Date : 16/10/2006
 Verificateur : RP
 Date : 17/12/2007

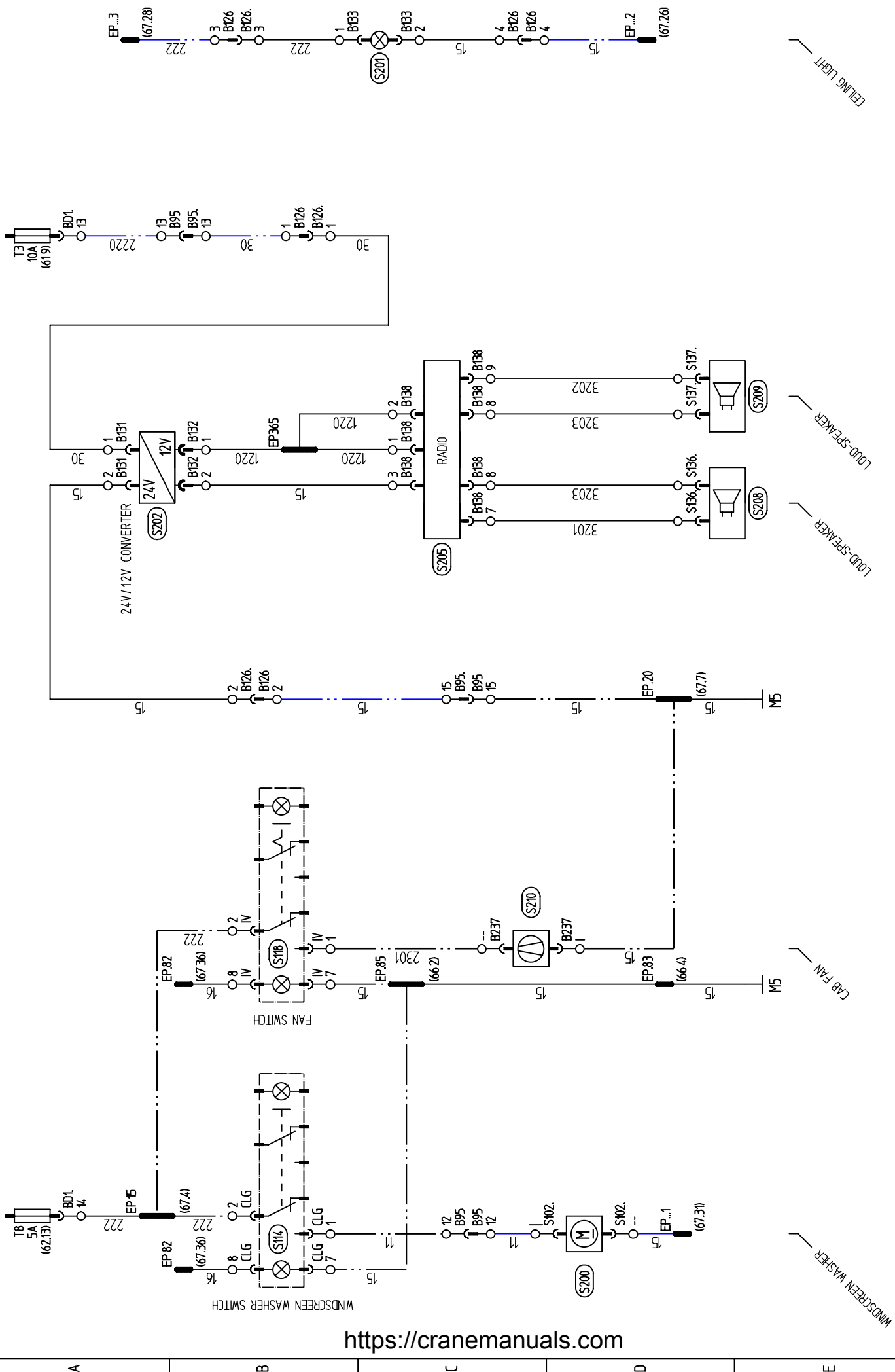


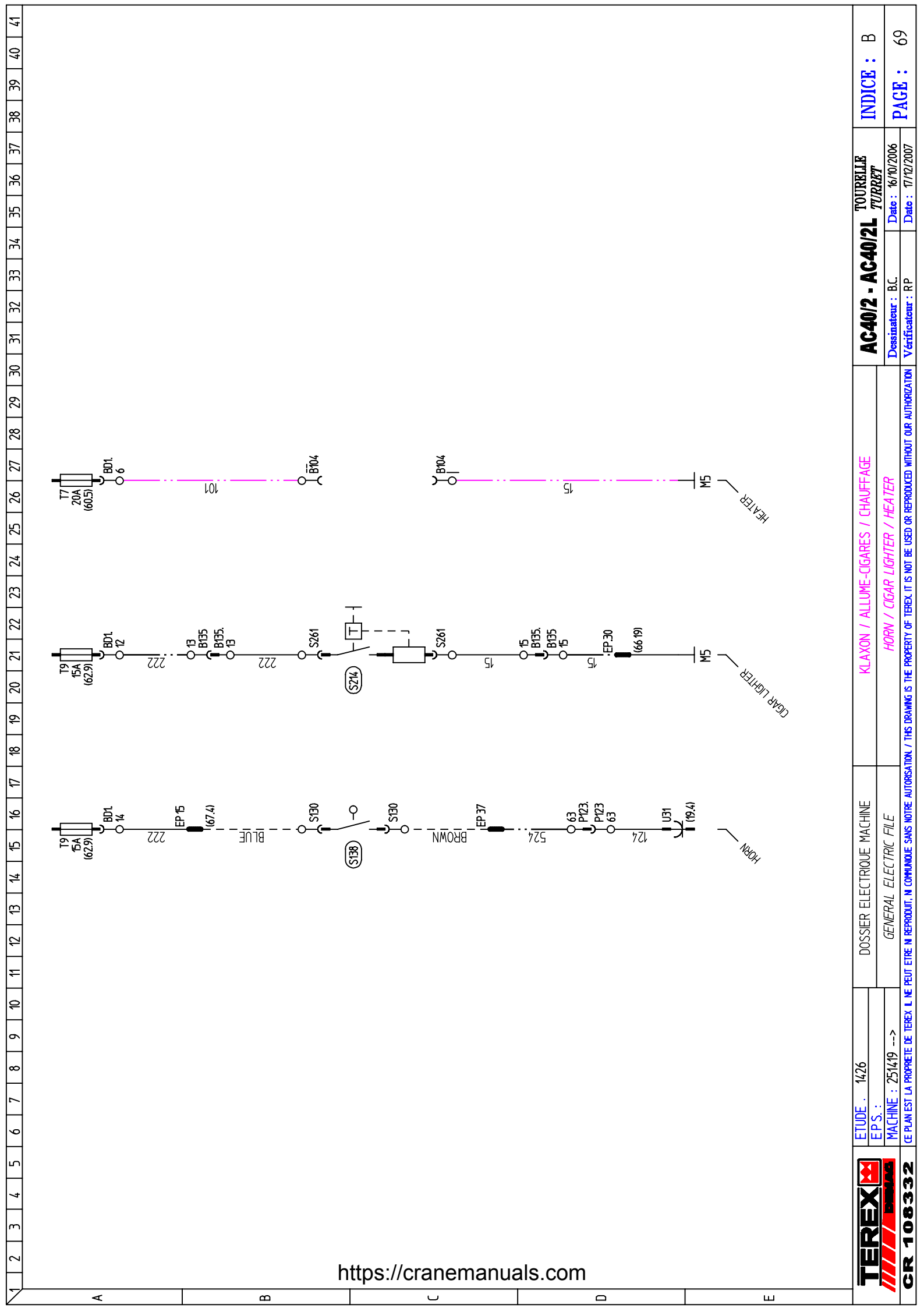
<https://cranematerials.com>



<https://cranemanuals.com>

 CR 108332	ETUDE : 1426 E.P.S. : MACHINE : 251419 --->	DOSSIER ELECTRIQUE MACHINE GENERAL ELECTRIC FILE	TOURBILLE AC40/2 - AC40/2L TURRET	Dessinateur : B.C. Vérificateur : RP	Date : 16/10/2006 Date : 17/12/2007
	CE PLAN EST LA PROPRIETE DE TEREX. IL NE PEUT ETRE NI REPRODUIT, NI COMMUNIQUE SANS NOTRE AUTORISATION. / THIS DRAWING IS THE PROPERTY OF TEREX. IT IS NOT BE USED OR REPRODUCED WITHOUT OUR AUTHORIZATION			ESSUIE-GLACE AVANT ET TOIT / PHARE DE TRAVAIL FRONT AND ROOF WINDSCREEN WIPER / WORKING LIGHT	INDICE : B PAGE : 67





<https://cranemanuals.com>



ETUDE : 1426
 E.P.S. :
 MACHINE : 251419 -->

DOSSIER ELECTRIQUE MACHINE
 GENERAL ELECTRIC FILE

KLAXON / ALLUME-CIGARES / CHAUFFAGE
 HORN / CIGAR LIGHTER / HEATER

TOURELLE
 TURRET
 AC40/2 - AC40/2L
 Dessinateur : B.C.
 Verificateur : RP

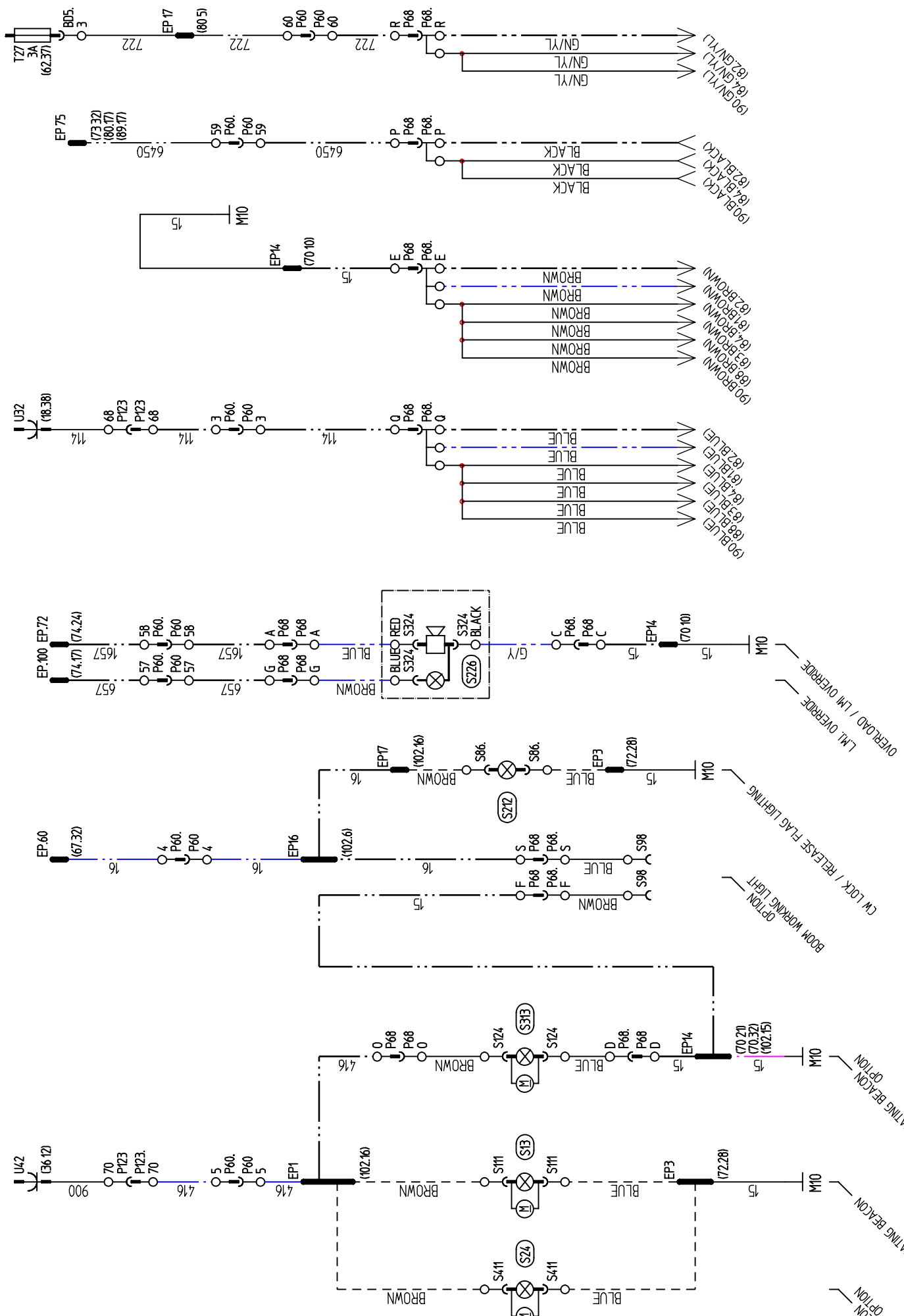
INDICE : B
 PAGE : 69

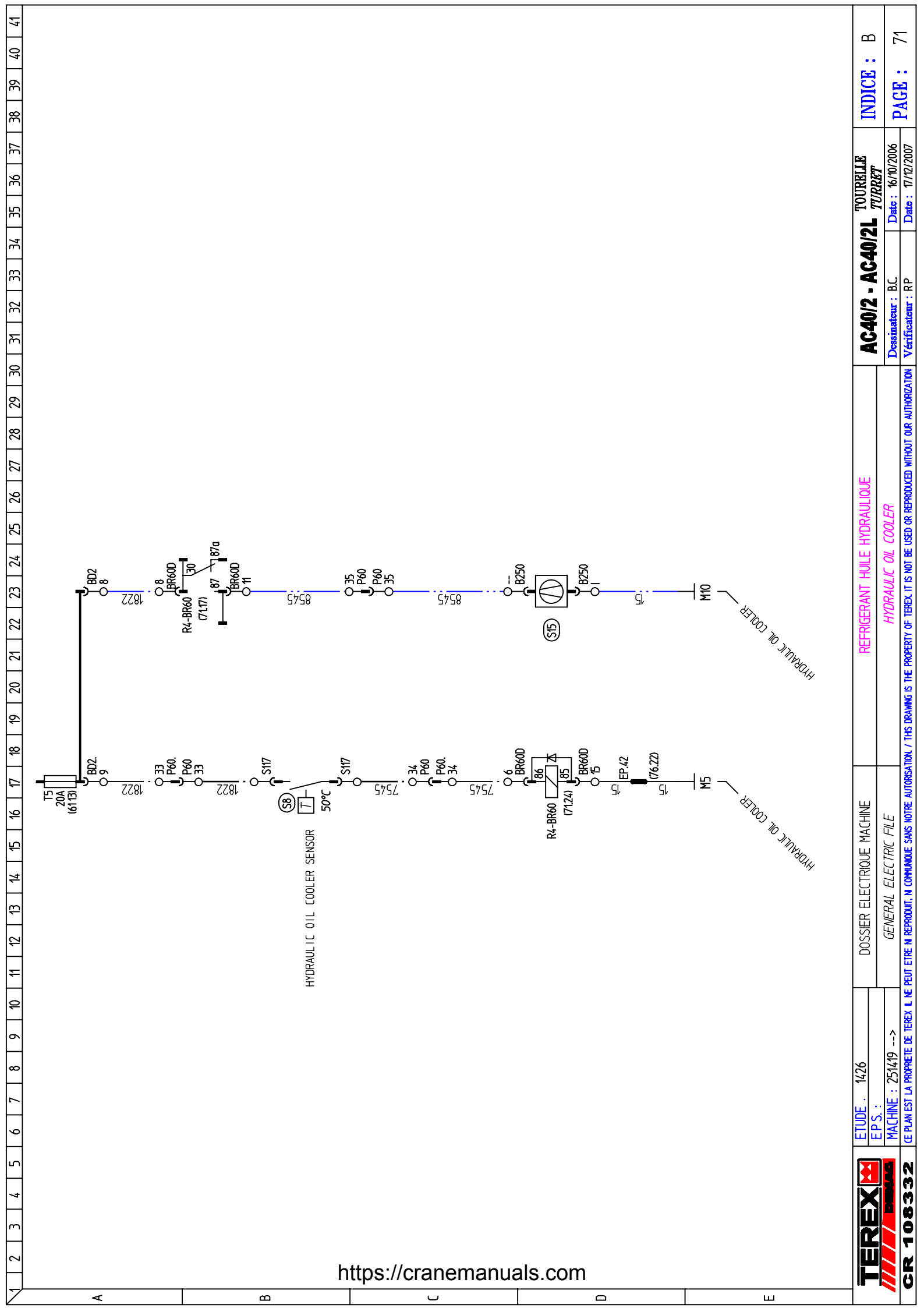
Date : 16/10/2006
 Date : 17/12/2007

CE PLAN EST LA PROPRETE DE TEREX. IL NE PEUT ETRE NI REPRODUIT, NI COMMUNIQUE SANS NOTRE AUTORISATION. / THIS DRAWING IS THE PROPERTY OF TEREX. IT IS NOT BE USED OR REPRODUCED WITHOUT OUR AUTHORIZATION

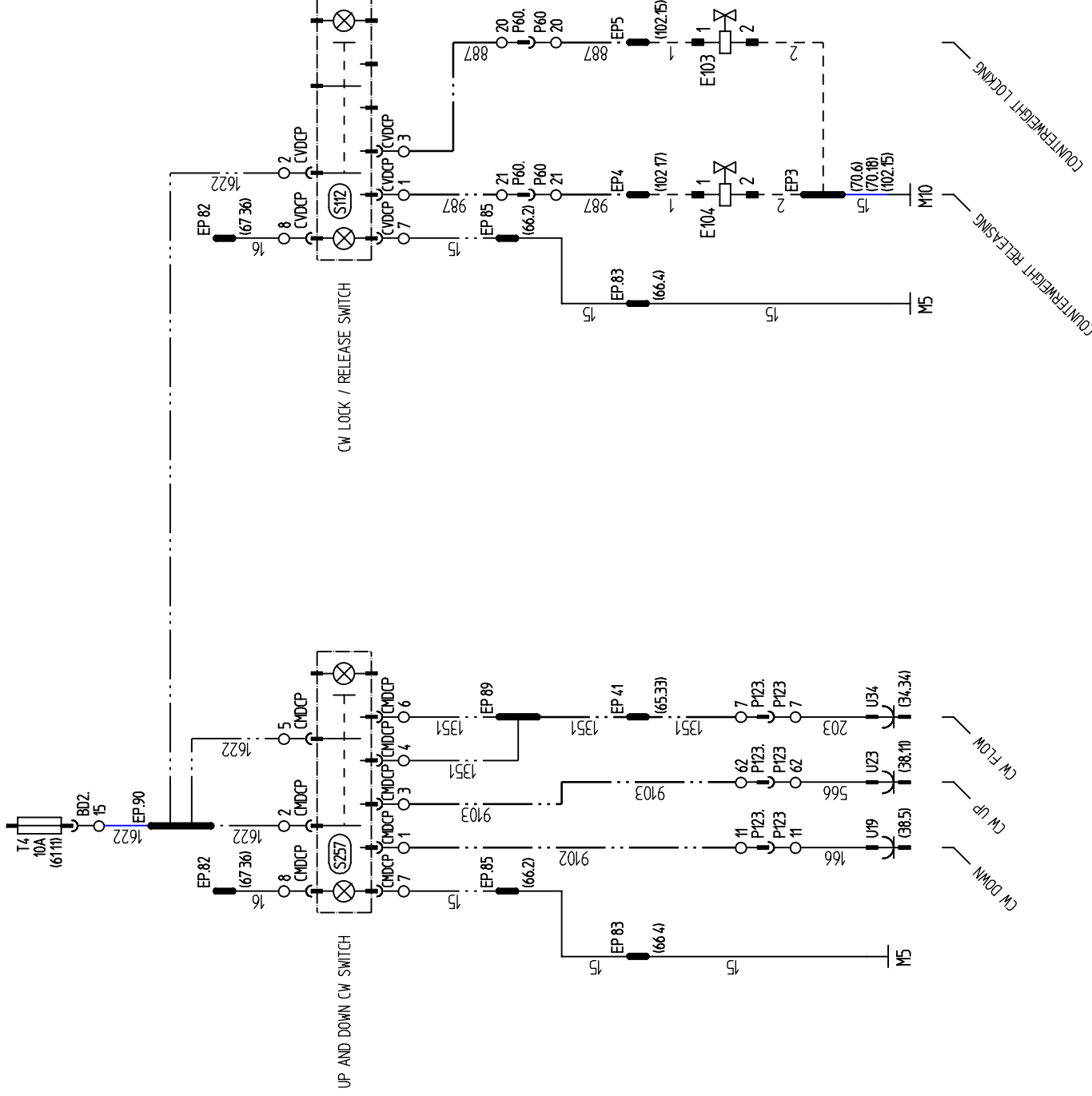
1 2 3 4 5 6 7 8 9 10 11 12 13 14 15 16 17 18 19 20 21 22 23 24 25 26 27 28 29 30 31 32 33 34 35 36 37 38 39 40 41

A B C D E





<https://cranemanuals.com>



1 2 3 4 5 6 7 8 9 10 11 12 13 14 15 16 17 18 19 20 21 22 23 24 25 26 27 28 29 30 31 32 33 34 35 36 37 38 39 40 41

A B C D E

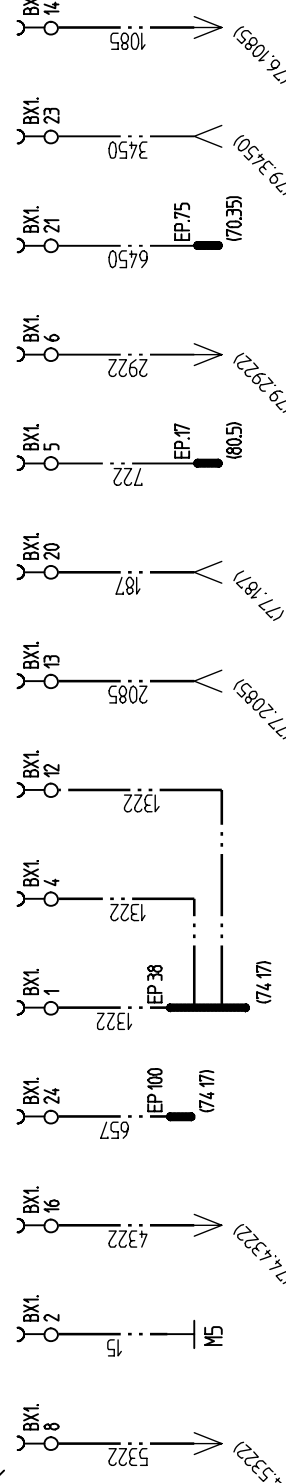
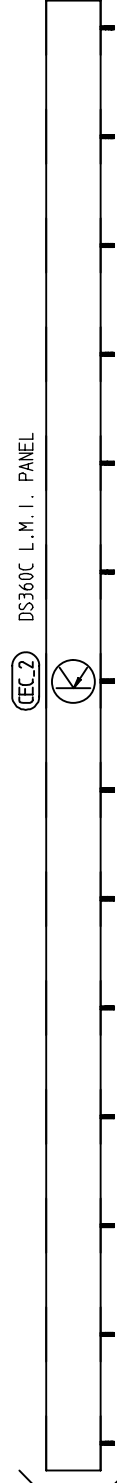
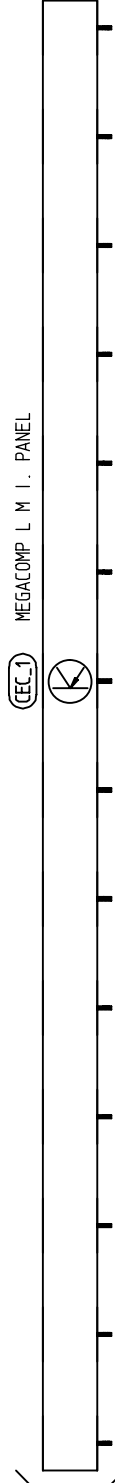
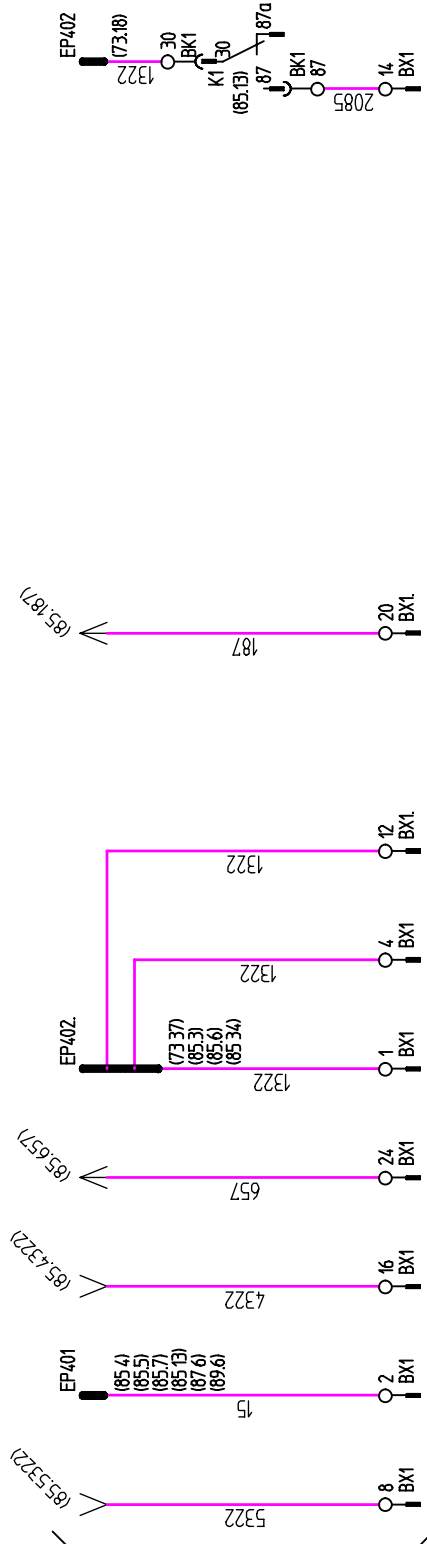
VOIR / SEE CR 108230

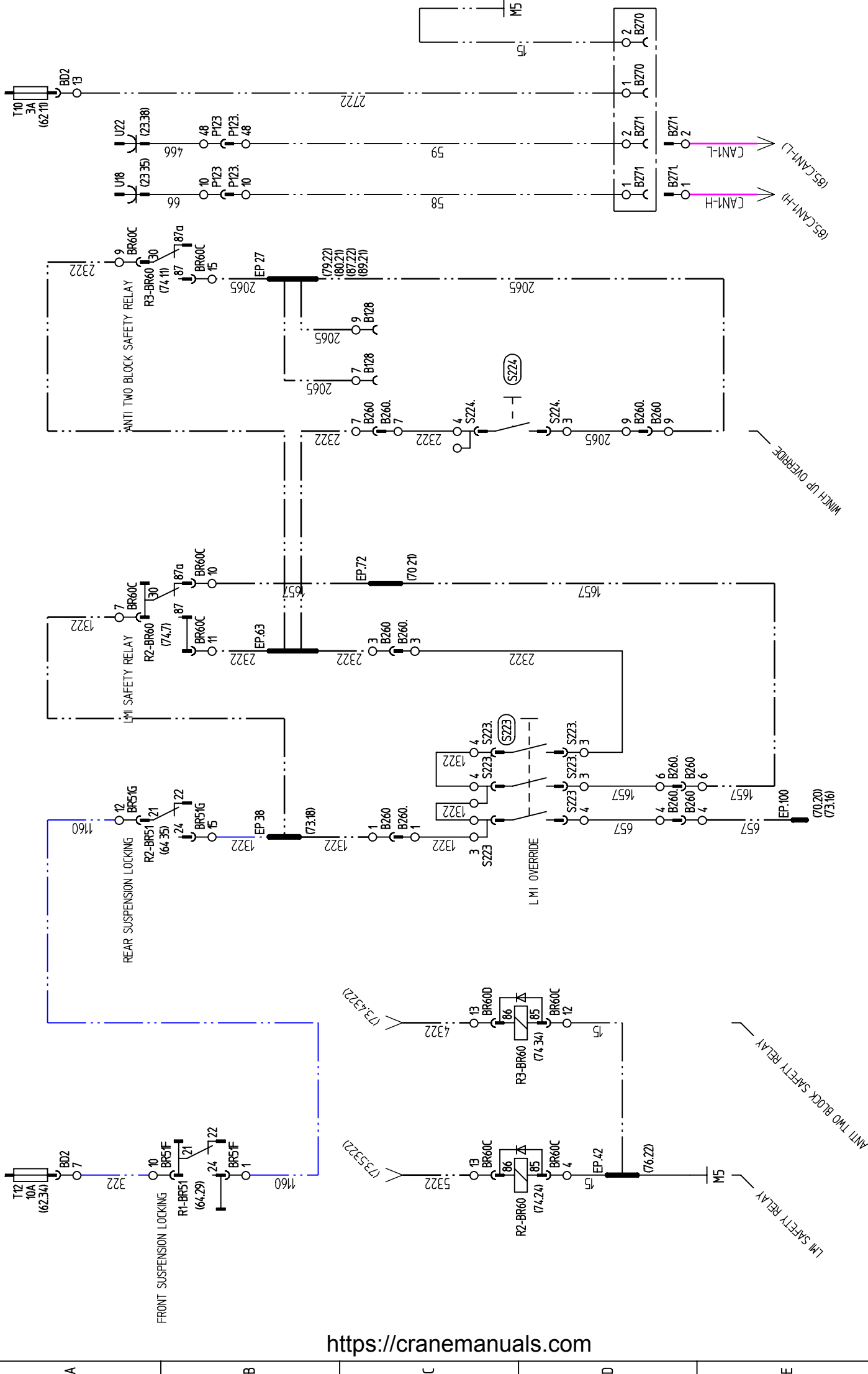
MENTOR PAT L.M.I.

VIEW-TECH 3B6 L.M.I.

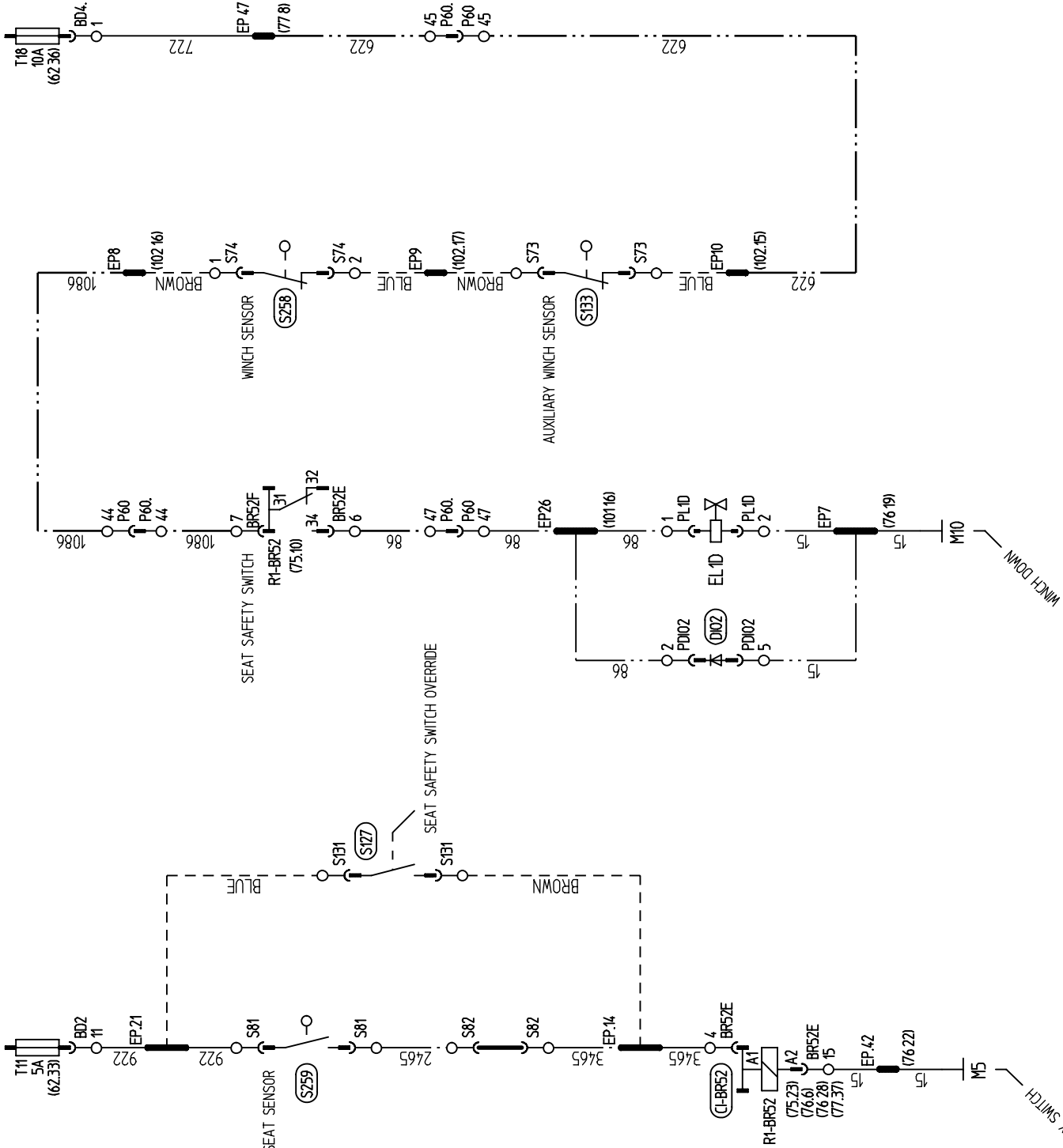
MEGACOMP 3B6 L.M.I.

DS360C PAT L.M.I.





	ETUDE : 1426 E.P.S. : MACHINE : 251419 -->	DOSSIER ELECTRIQUE MACHINE GENERAL ELECTRIC FILE	AC40/2 - AC40/2L TOURBILLON TURRET	INDICE : B
	CE PLAN EST LA PROPRIETE DE TEREX. IL NE PEUT ETRE NI REPRODUIT, NI COMMUNIQUE SANS NOTRE AUTORISATION. / THIS DRAWING IS THE PROPERTY OF TEREX. IT IS NOT BE USED OR REPRODUCED WITHOUT OUR AUTHORIZATION.	SECURITES CEC / SHUNTS CEC ET FIN DE COURSE HAUTE LMI SAFETY RELAY / LMI OVERRIDE / ANTI TWO BLOCKS	Dessinateur : B.C. Verificateur : RP	Date : 16/10/2006 Date : 17/12/2007



CR 108332

ETUDE : 1426

EPS :

MACHINE : 251419 -->

DOSSIER ELECTRIQUE MACHINE

GENERAL ELECTRIC FILE

SECURITES SEGE / LEVAGE DESCENTE

SEAT SAFETY SWITCHES / WINCH DOWN

AC40/2 - AC40/2L

TOURVILLE TURRET

Dessinateur : B.C. Date : 16/10/2006

Verificateur : RP Date : 17/12/2007

INDICE : B

PAGE : 75

41

40

39

38

37

36

35

34

33

32

31

30

29

28

27

26

25

24

23

22

21

20

19

18

17

16

15

14

13

12

11

10

9

8

7

6

5

4

3

2

1

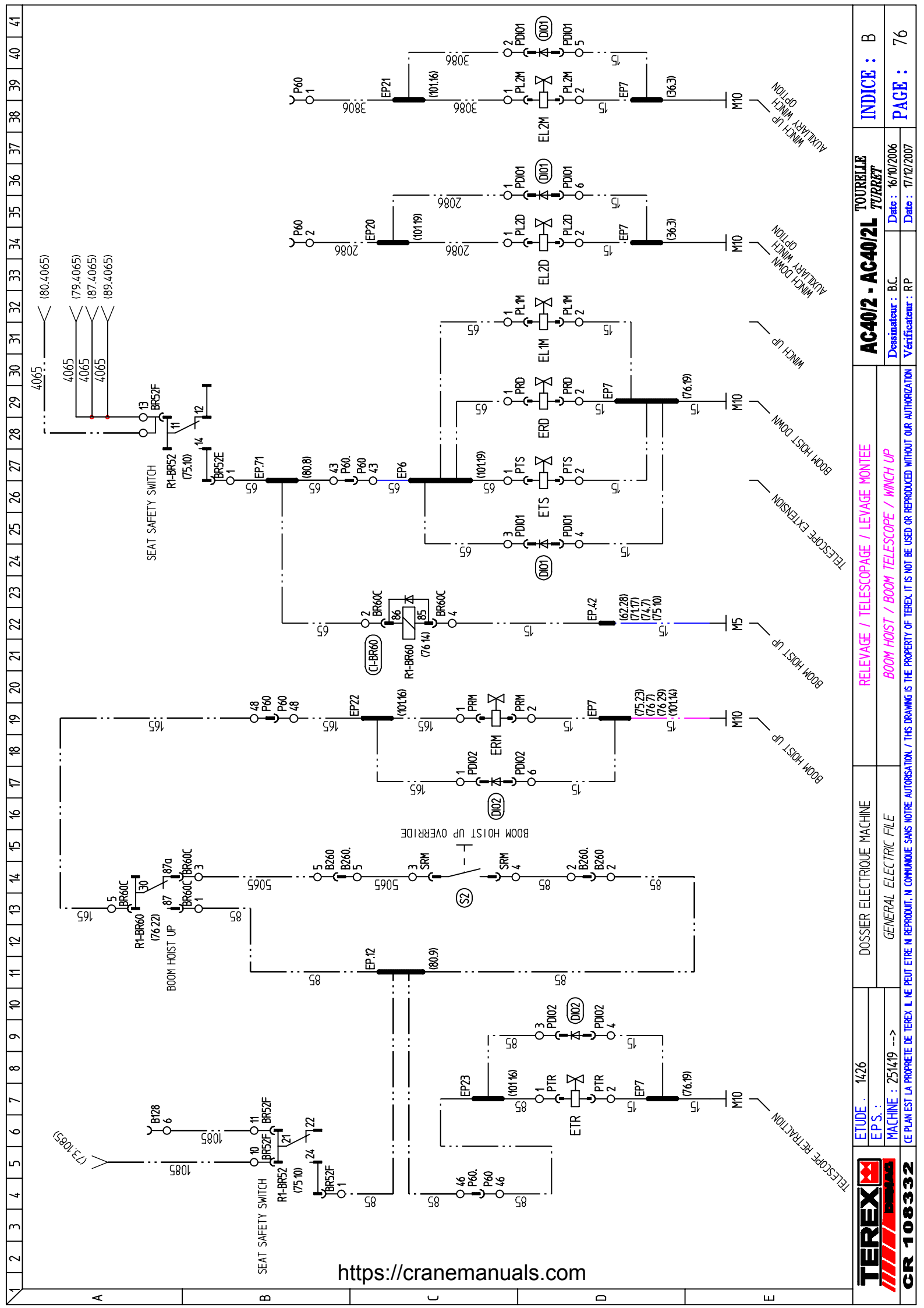
A

B

C

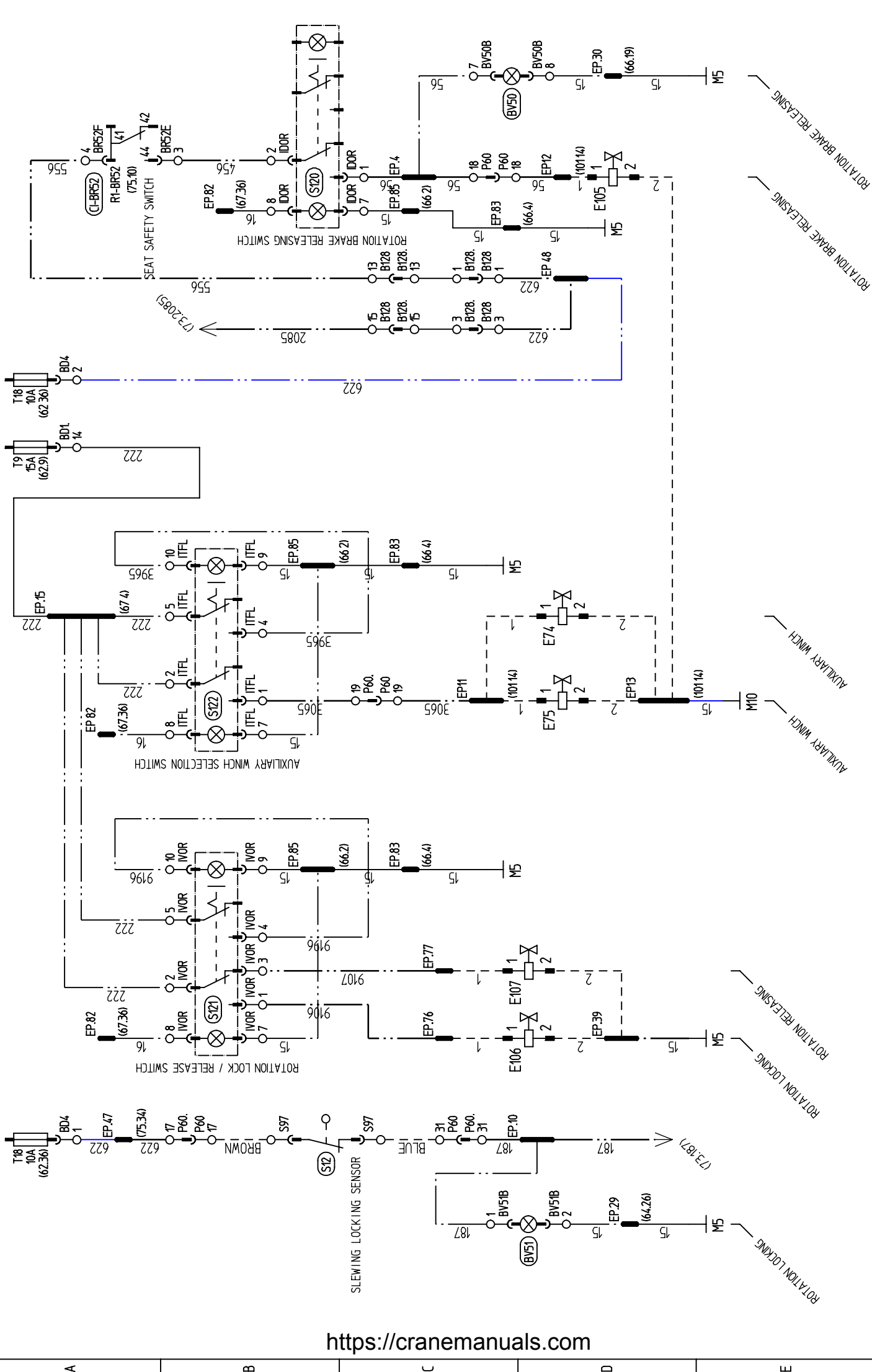
D

E



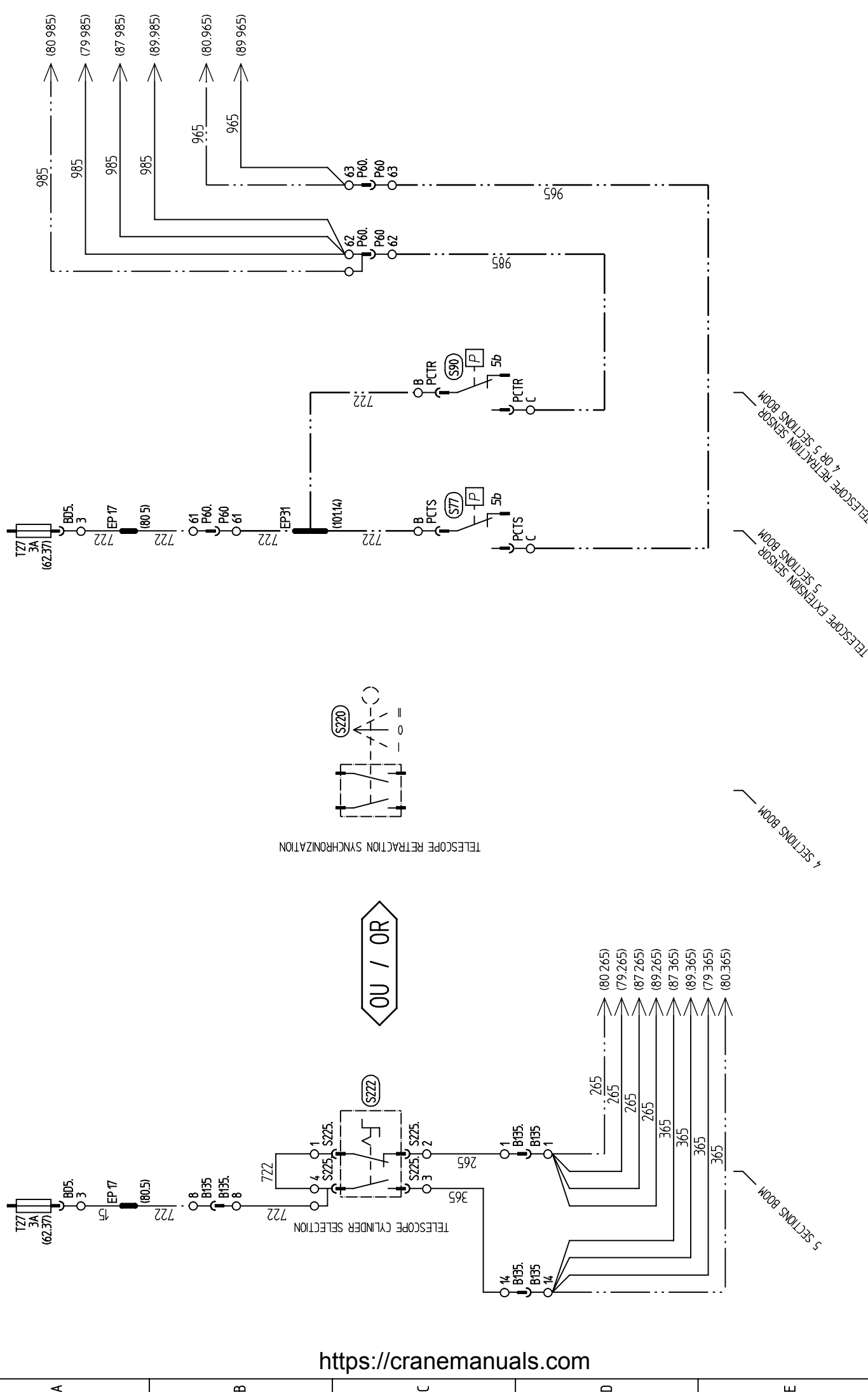
<https://cranemanuals.com>

	ETUDE : 1426	DOSSIER ELECTRIQUE MACHINE	RELEVAGE / TELESCOPAGE / LEVAGE MONTEE	TOURBILLON TURRET	INDICE : B
	E.P.S. :	GENERAL ELECTRIC FILE	BOOM HOIST / BOOM TELESCOPE / WINCH UP	AC40/2 - AC40/2L	
MACHINE : 2514.19 -->	CE PLAN EST LA PROPRETE DE TEREX. IL NE PEUT ETRE NI REPRODUIT, NI COMMUNIQUE SANS NOTRE AUTORISATION. / THIS DRAWING IS THE PROPERTY OF TEREX. IT IS NOT BE USED OR REPRODUCED WITHOUT OUR AUTHORIZATION.				
CR 108332					
				Dessinateur : B.C.	Date : 16/10/2006
				Vérificateur : RP	Date : 17/12/2007
					PAGE : 76



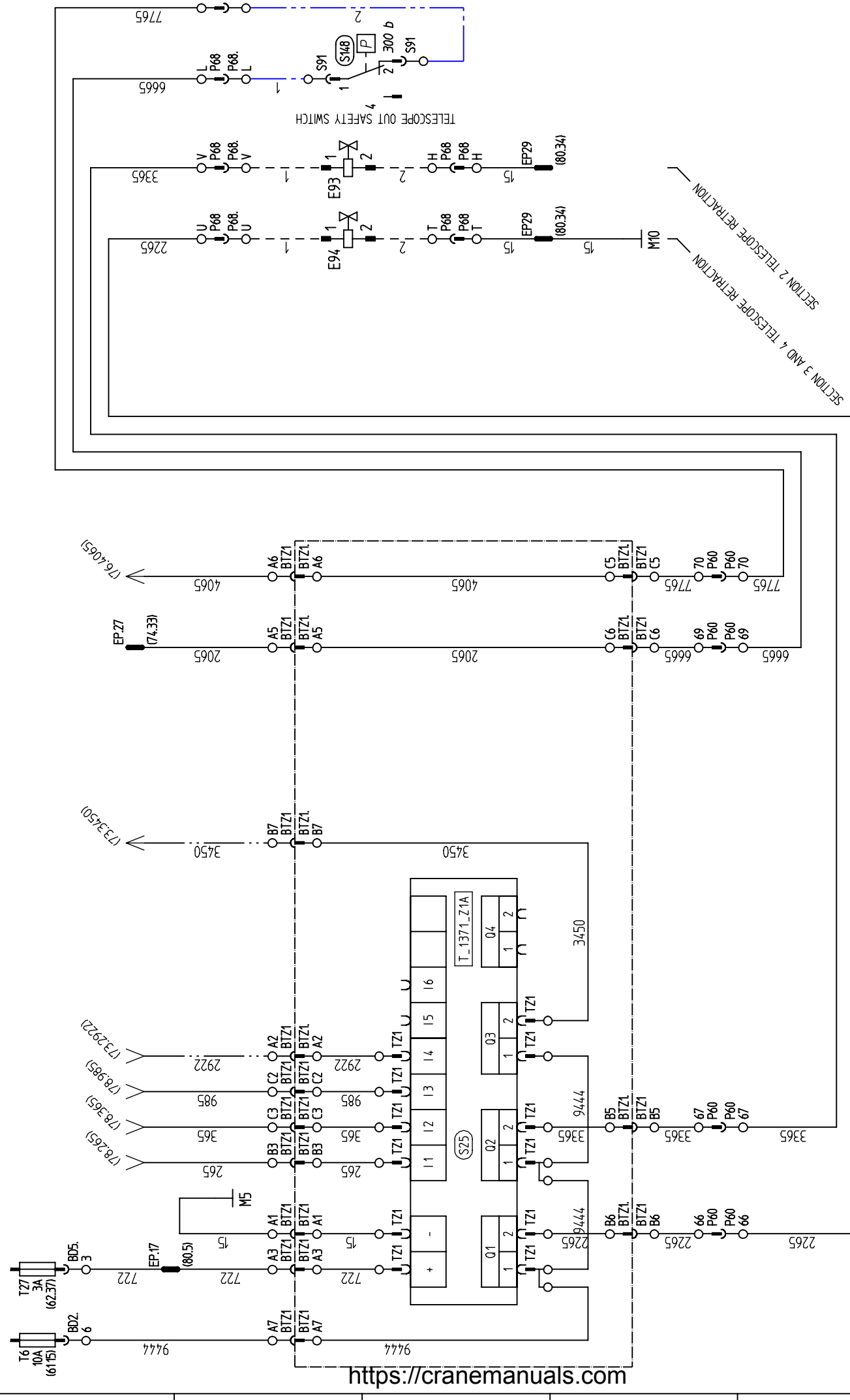
TEREX CR 108332	ETUDE : 1426	DOSSIER ELECTRIQUE MACHINE	TREUIL FLECHETTE / ORIENTATION	TOURILLE TURRET	INDICE : B
	E.P.S. : MACHINE : 251419 --->	GENERAL ELECTRIC FILE	AUXILIARY WINCH / ROTATION		
CE PLAN EST LA PROPRIETE DE TEREX L NE PEUT ETRE NI REPRODUIT, NI COMMUNIQUE SANS NOTRE AUTORISATION / THIS DRAWING IS THE PROPERTY OF TEREX IT IS NOT BE USED OR REPRODUCED WITHOUT OUR AUTHORIZATION				Date : 16/10/2006 Vérificateur : RP	Page : 77

1 2 3 4 5 6 7 8 9 10 11 12 13 14 15 16 17 18 19 20 21 22 23 24 25 26 27 28 29 30 31 32 33 34 35 36 37 38 39 40 41



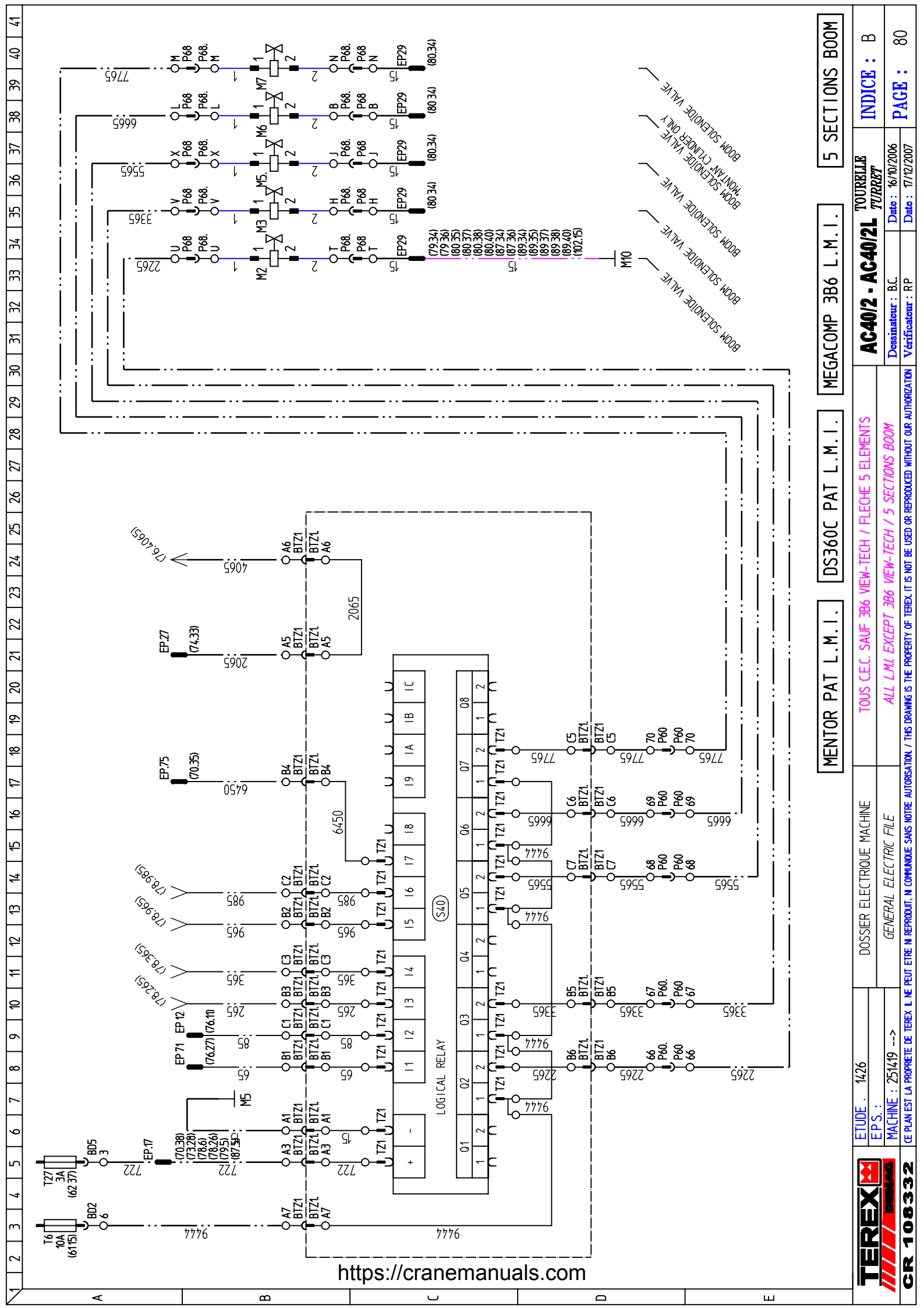
<https://cranemanuals.com>

	ETUDE : 1426	DOSSIER ELECTRIQUE MACHINE	AC40/2 - AC40/2L TOURELLE TURRET	INDICE : B
	E.P.S. : MACHINE : 251419 -->	GENERAL ELECTRIC FILE		Dessinateur : B.C. Vérificateur : RP
CR 108332	CE PLAN EST LA PROPRIETE DE TEREX. IL NE PEUT ETRE NI REPRODUIT, NI COMMUNIQUE SANS NOTRE AUTORISATION. / THIS DRAWING IS THE PROPERTY OF TEREX. IT IS NOT BE USED OR REPRODUCED WITHOUT OUR AUTHORIZATION.			PAGE : 78



https://cranemanuals.com

	ETUDE : 1426	DOSSIER ELECTRIQUE MACHINE	TOURILLON TURRET	INDICE : B
	E.P.S. :	GENERAL ELECTRIC FILE	AC40/2 - AC40/2L	Dessinateur : B.C. Date : 16/10/2006
CR 10832	MACHINE : 251419 -->	CE PLAN EST LA PROPRIETE DE TEREX L NE PEUT ETRE REPRODUIT, NI COMMUNE SANS NOTRE AUTORISATION / THIS DRAWING IS THE PROPERTY OF TEREX IT IS NOT BE USED OR REPRODUCED WITHOUT OUR AUTHORIZATION	ALL L.M.I. EXCEPT 3B6 VIEW-TECH / 4 SECTIONS BOOM	Vérificateur : RP Date : 17/12/2007
				PAGE : 79

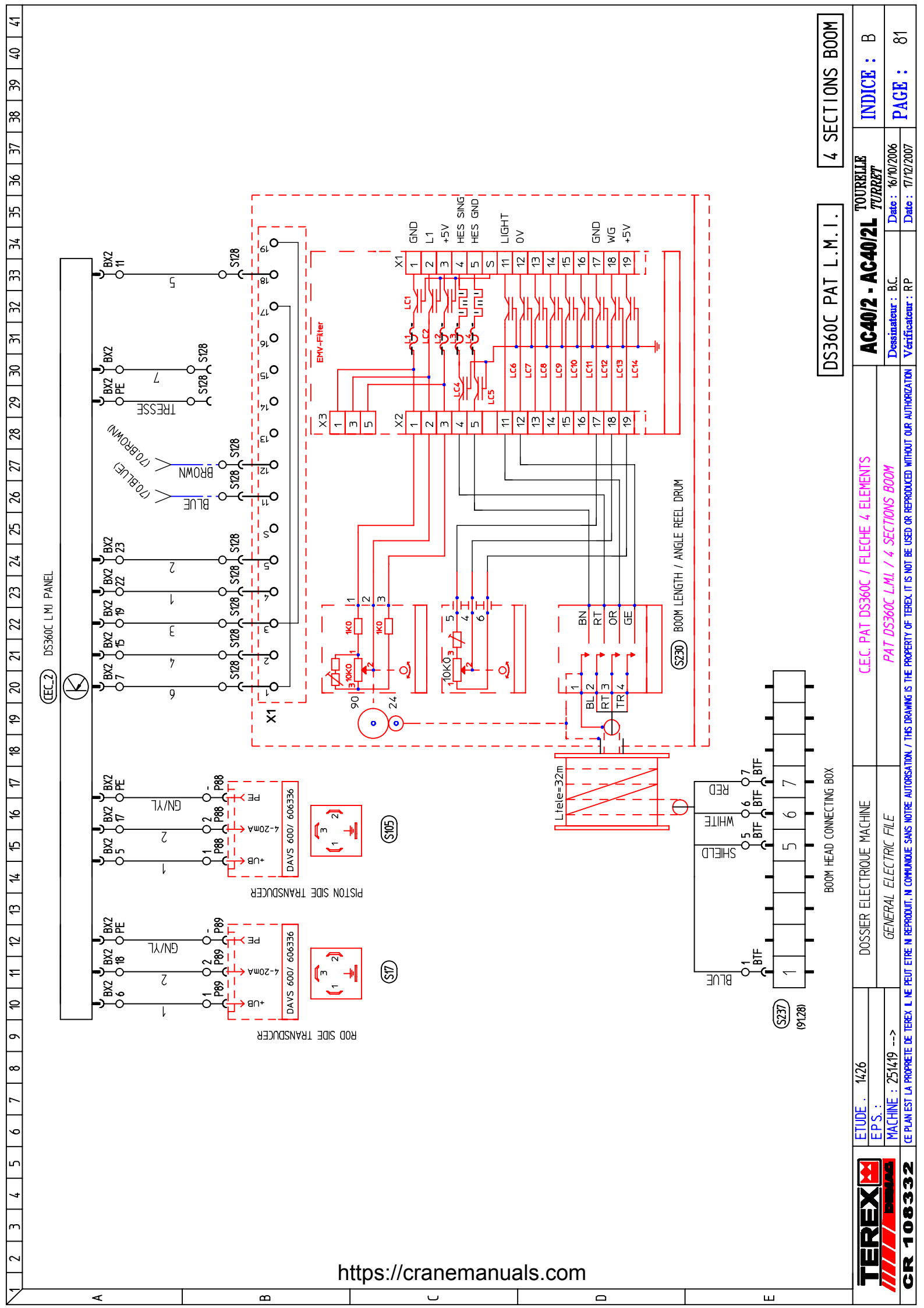


<https://cranemanuals.com>

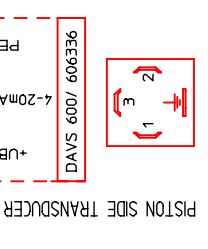
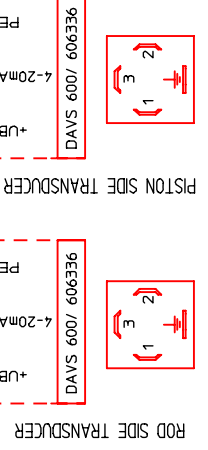
MENTOR PAT L.M.I. DS360C PAT L.M.I. MEGACOMP 3B6 L.M.I. 5 SECTIONS BOOM

	ETUDE : 1426	DOSSIER ELECTRIQUE MACHINE	TOURBILLON	INDICE : B
	E.P.S. :	GENERAL ELECTRIC FILE	TURRET	
	MACHINE : 251419 -->	CE PLAN EST LA PROPRIETE DE TEREX L.NE PEUT ETRE NI REPRODUIT, NI COMMUNIQUE SANS NOTRE AUTORISATION / THIS DRAWING IS THE PROPERTY OF TEREX IT IS NOT BE USED OR REPRODUCED WITHOUT OUR AUTHORIZATION	Date : 16/10/2006	PAGE : 80
			Date : 17/12/2007	

TOUS C.E.C. SAUF 3B6 VIEW-TECH / FLECHE 5 ELEMENTS
 ALL L.M.I. EXCEPT 3B6 VIEW-TECH / 5 SECTIONS BOOM



CEC-2 DS360C L.M.I. PANEL



DS360C PAT L.M.I.

TOURELLE
TURRET

CEC. PAT DS360C / FLECHE 4 ELEMENTS
PAT DS360C L.M.I. / 4 SECTIONS BOOM

DOSSIER ELECTRIQUE MACHINE
GENERAL ELECTRIC FILE

ETUDE : 1426
E.P.S. :
MACHINE : 2514/19 -->

TEREX
CR 108332

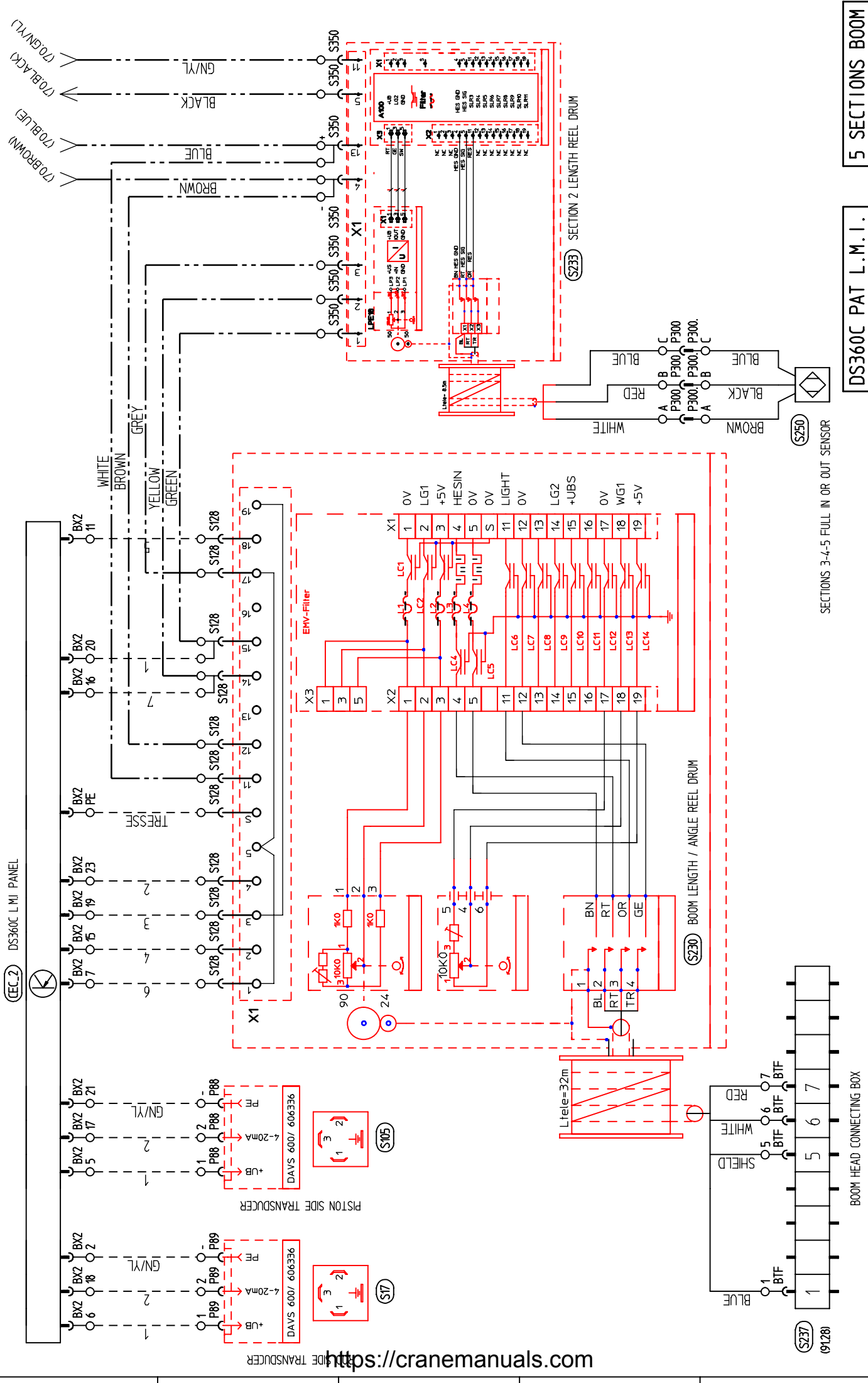
INDICE : B
PAGE : 81

Date : 16/10/2006
Date : 17/12/2007

Dessinateur : B.C.
Vérificateur : R.P.

CE PLAN EST LA PROPRITE DE TEREX L NE PEUT ETRE NI REPRODUIT, NI COMMUNIQUE SANS NOTRE AUTORISATION / THIS DRAWING IS THE PROPERTY OF TEREX IT IS NOT BE USED OR REPRODUCED WITHOUT OUR AUTHORIZATION

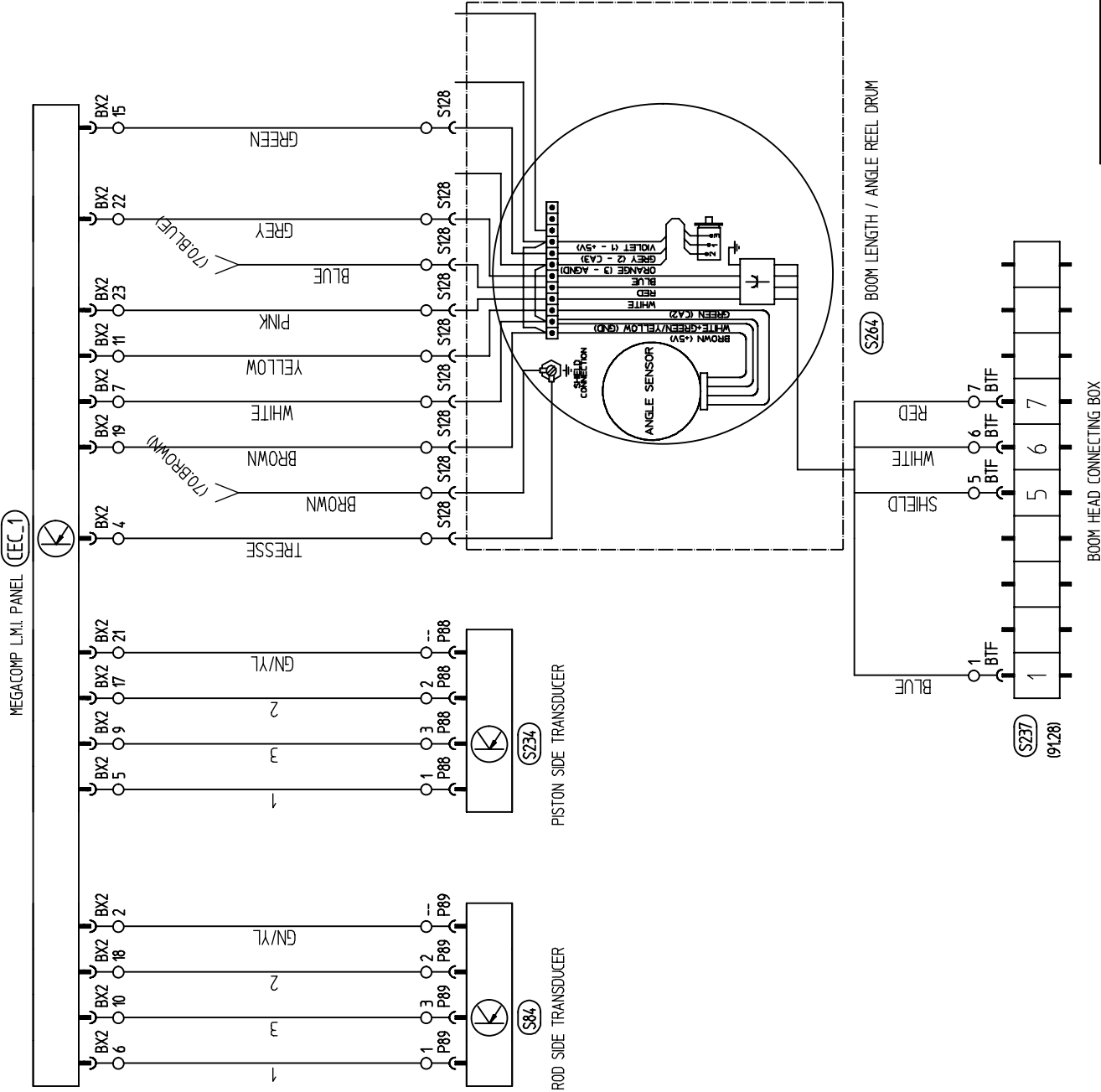
4 SECTIONS BOOM



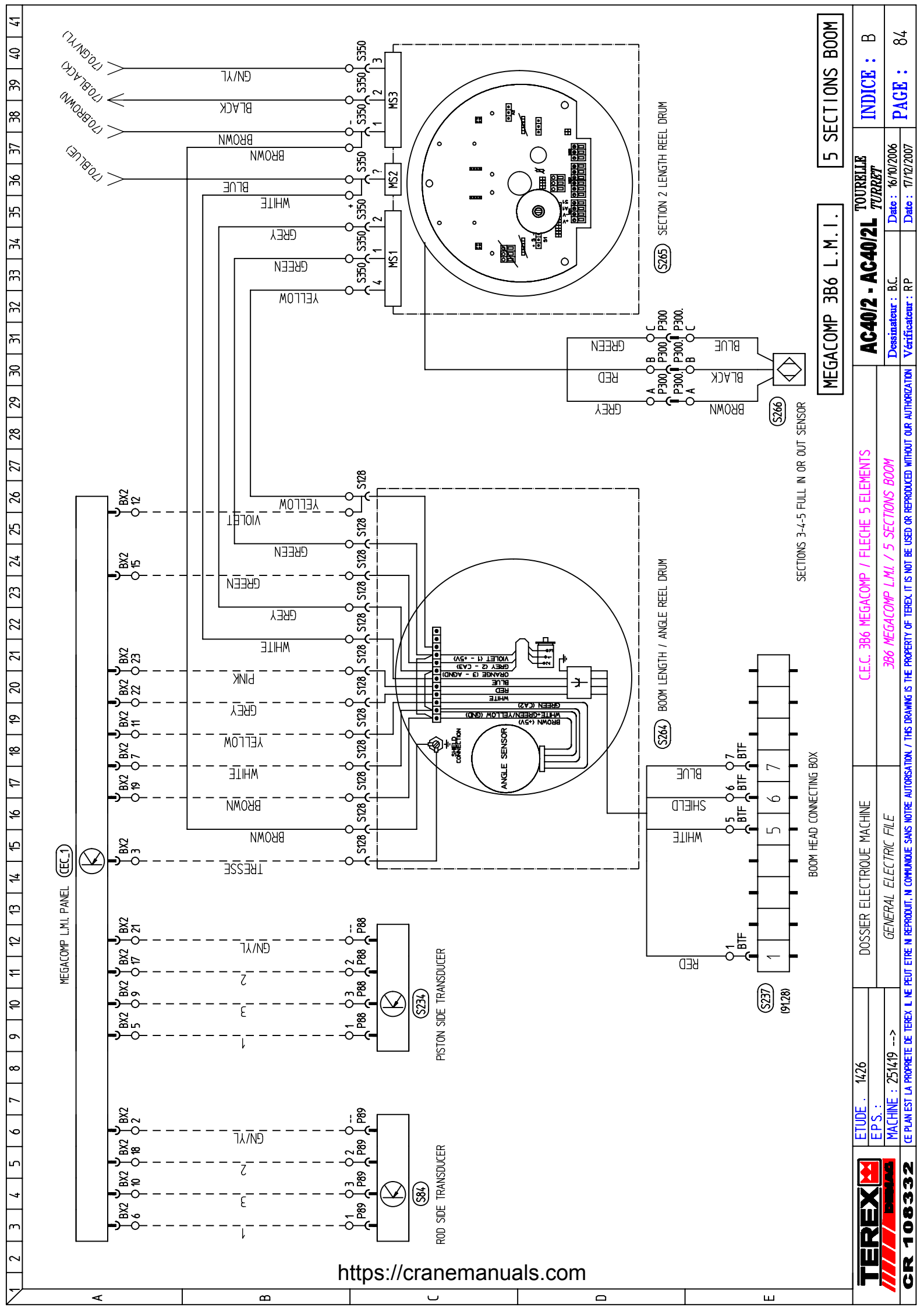
SECTIONS 3-4-5 FULL IN OR OUT SENSOR

DS360C PAT L.M.I. I.

5 SECTIONS BOOM

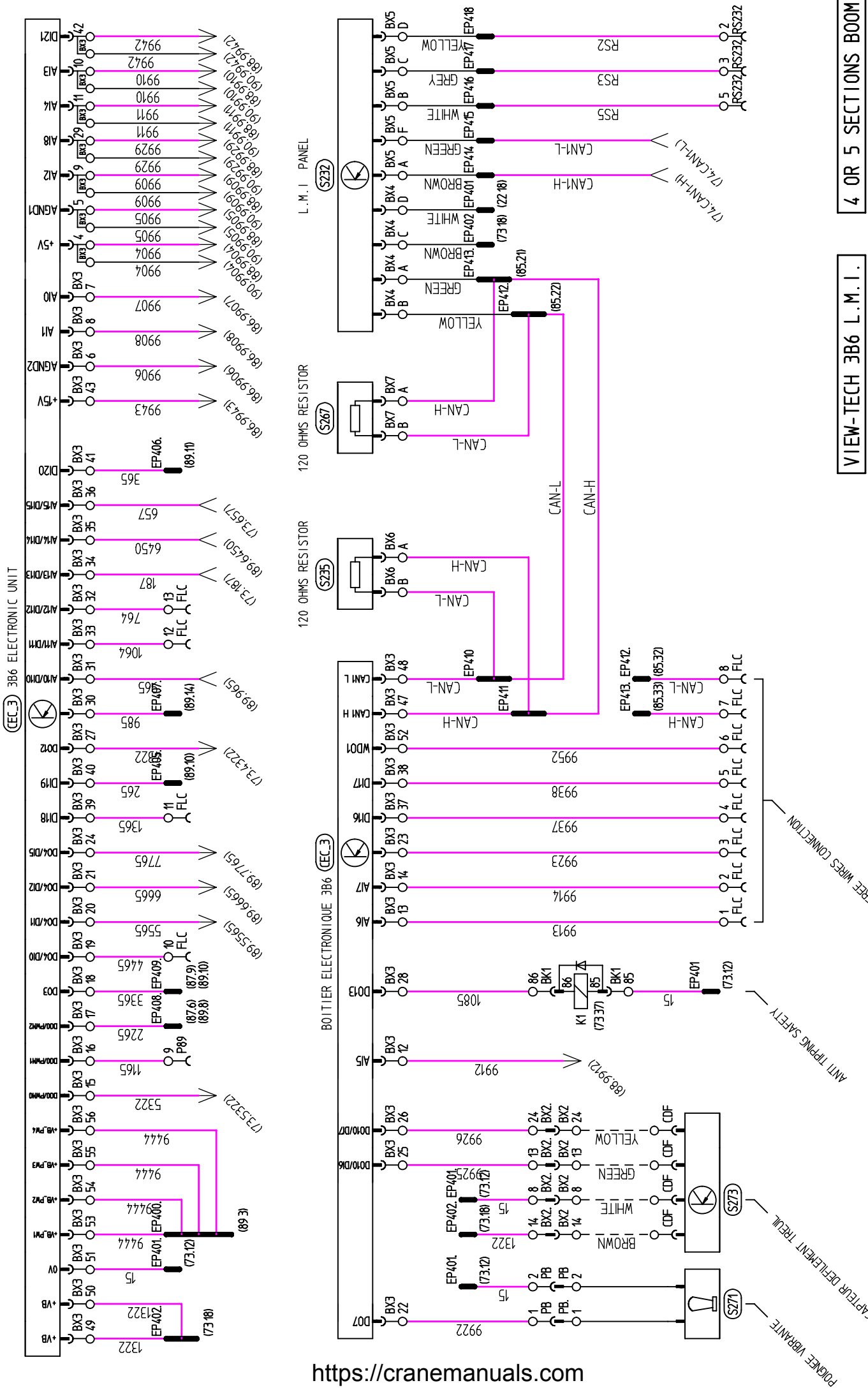


	ETUDE : 1426	DOSSIER ELECTRIQUE MACHINE	TOURELLE TURRET	INDICE : B
	EPS :	GENERAL ELECTRIC FILE	AC40/2 - AC40/2L	
	MACHINE : 251419 -->		Dessinateur : B.C.	Date : 16/10/2006
	CE PLAN EST LA PROPRETE DE TEREX L NE PEUT ETRE NI REPRODUIT, NI COMMUNIQUE SANS NOTRE AUTORISATION / THIS DRAWING IS THE PROPERTY OF TEREX IT IS NOT BE USED OR REPRODUCED WITHOUT OUR AUTHORIZATION		Verificateur : RP	Date : 17/12/2007
	CR 108332			PAGE : 83



SECTIONS 3-4-5 FULL IN OR OUT SENSOR

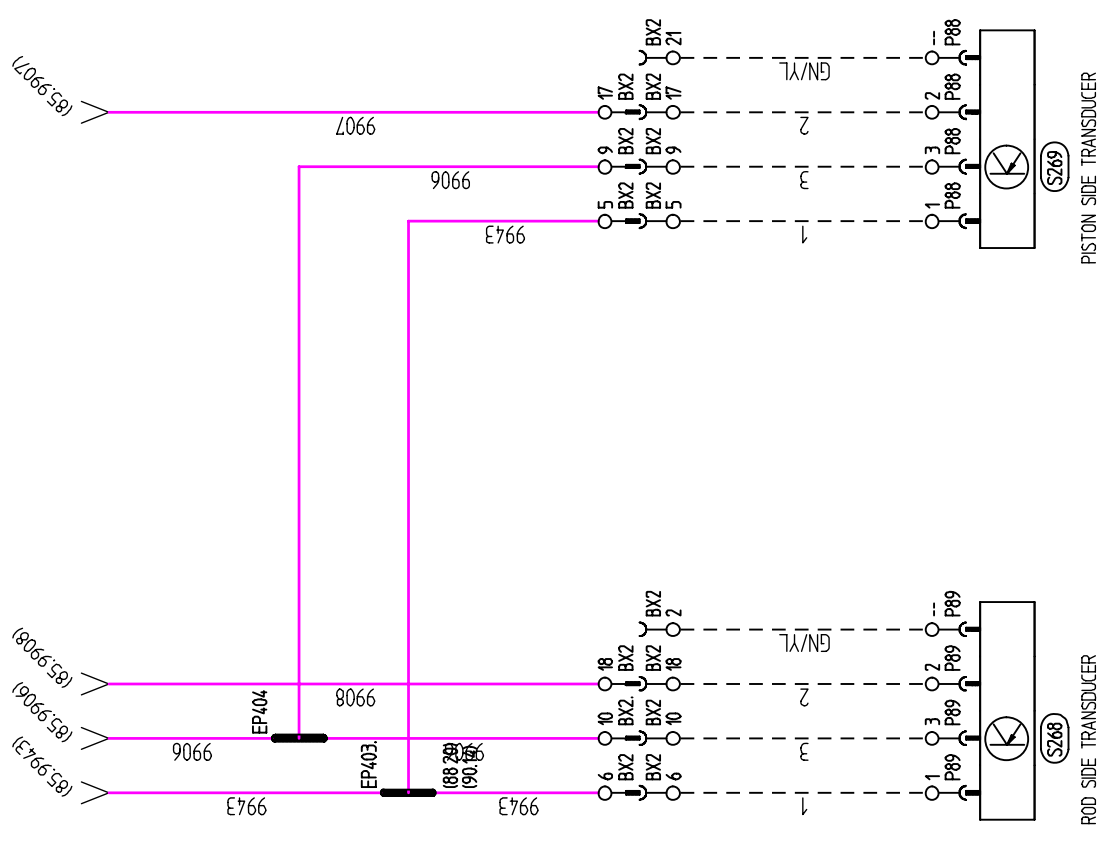
	ETUDE : 1426	DOSSIER ELECTRIQUE MACHINE	CEC. 3B6 MEGACOMP / FLECHE 5 ELEMENTS	TOURILLE	INDICE : B
	E.P.S. : MACHINE : 2514/19 -->	GENERAL ELECTRIC FILE	3B6 MEGACOMP L.M.I. / 5 SECTIONS BOOM	TURRET	Date : 16/10/2006
CR 108332	CE PLAN EST LA PROPRITE DE TEREX L NE PEUT ETRE NI REPRODUIT, NI COMMUNIQUE SANS NOTRE AUTORISATION / THIS DRAWING IS THE PROPERTY OF TEREX IT IS NOT BE USED OR REPRODUCED WITHOUT OUR AUTHORIZATION			VERIFICATEUR : RP	Date : 17/12/2007



<https://cranemanuals.com>

4 OR 5 SECTIONS BOOM
 VIEW-TECH 3B6 L.M.I.
 4 OR 5 SECTIONS BOOM

TEREX CRAWLER	ETUDE : 1426	DOSSIER ELECTRIQUE MACHINE	TOURILLE TURRET	INDICE : B				
					MACHINE : 2514/19 --> CE PLAN EST LA PROPRIETE DE TEREX L NE PEUT ETRE NI REPRODUIT, NI COMMUNE SANS NOTRE AUTORSATION / THIS DRAWING IS THE PROPERTY OF TEREX IT IS NOT BE USED OR REPRODUCED WITHOUT OUR AUTHORIZATION	Dessinateur : B.C. Verificateur : RP	Date : 11/12/2007 Date : 17/12/2007	Date : 11/12/2007 Date : 17/12/2007
CR 10832								

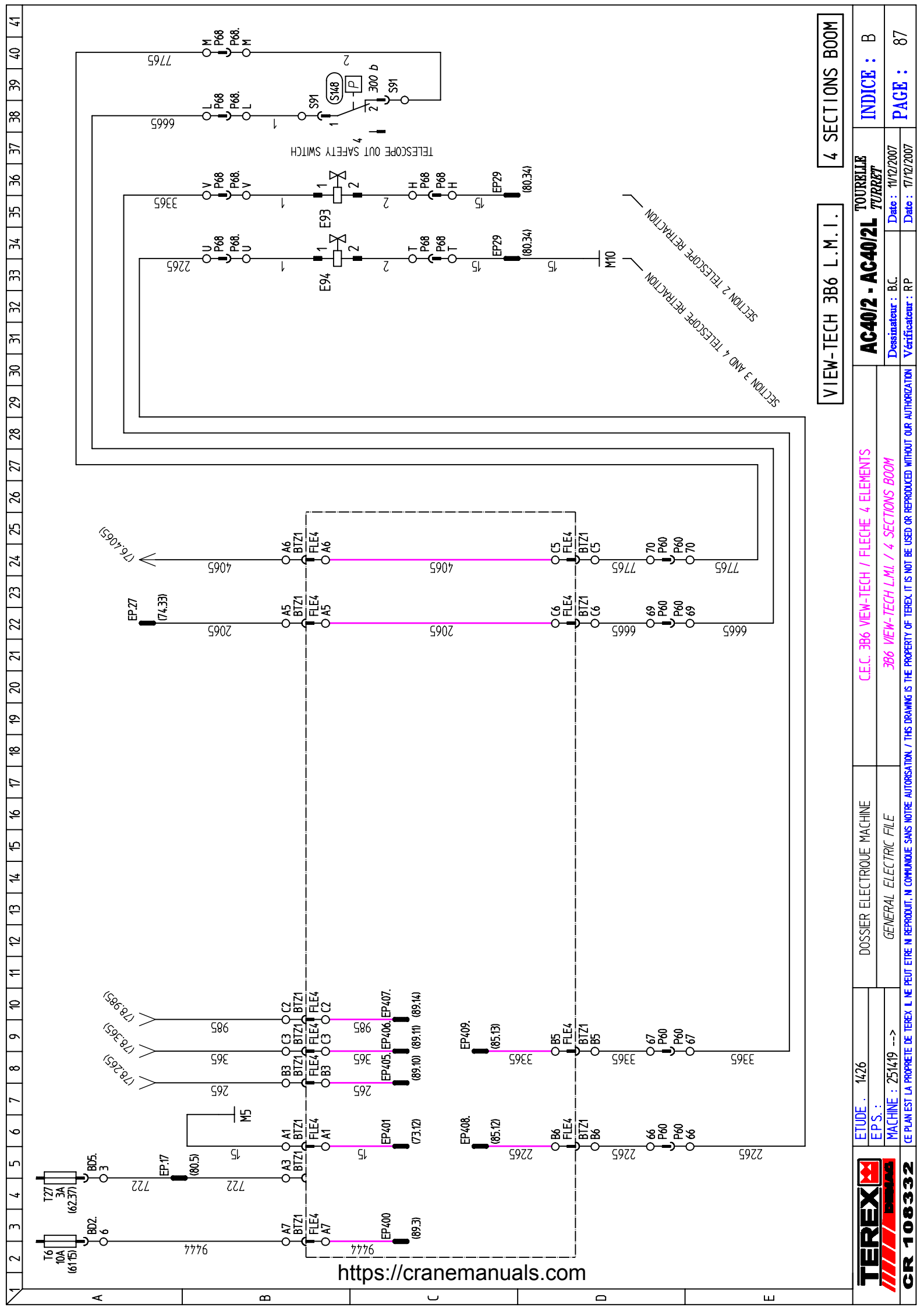


VIEW-TECH 3B6 L.M.I.

4 OR 5 SECTIONS BOOM

TEREX EQUIPMENT	ETUDE : 1426	DOSSIER ELECTRIQUE MACHINE	C.E.C. 3B6 VIEW-TECH / FLECHE 4 OU 5 ELEMENTS	AC40/2 - AC40/2L TOURELLE TURRET	INDICE : B
CR 108332	E.P.S. :	GENERAL ELECTRIC FILE	3B6 VIEW-TECH L.M.I. / 4 OR 5 SECTIONS BOOM	Dessinateur : B.C.	Date : 11/12/2007
				Vérificateur : RP	Date : 17/12/2007

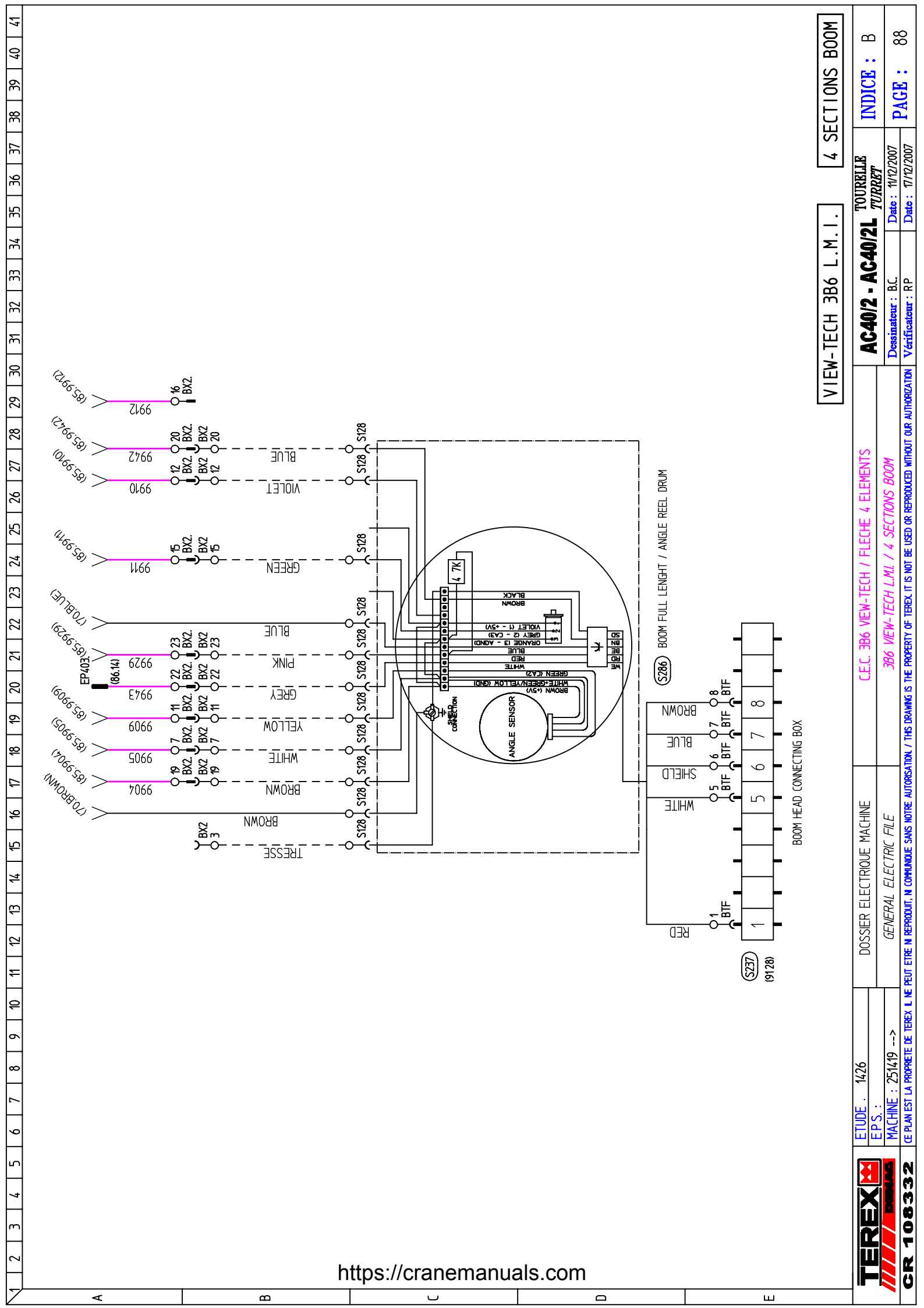
CE PLAN EST LA PROPRIETE DE TEREX L NE PEUT ETRE NI REPRODUIT, NI COMMUNE SANS NOTRE AUTORISATION / THIS DRAWING IS THE PROPERTY OF TEREX IT IS NOT BE USED OR REPRODUCED WITHOUT OUR AUTHORIZATION



<https://cranemanuals.com>

VIEW-TECH 3B6 L.M.I. 4 SECTIONS BOOM

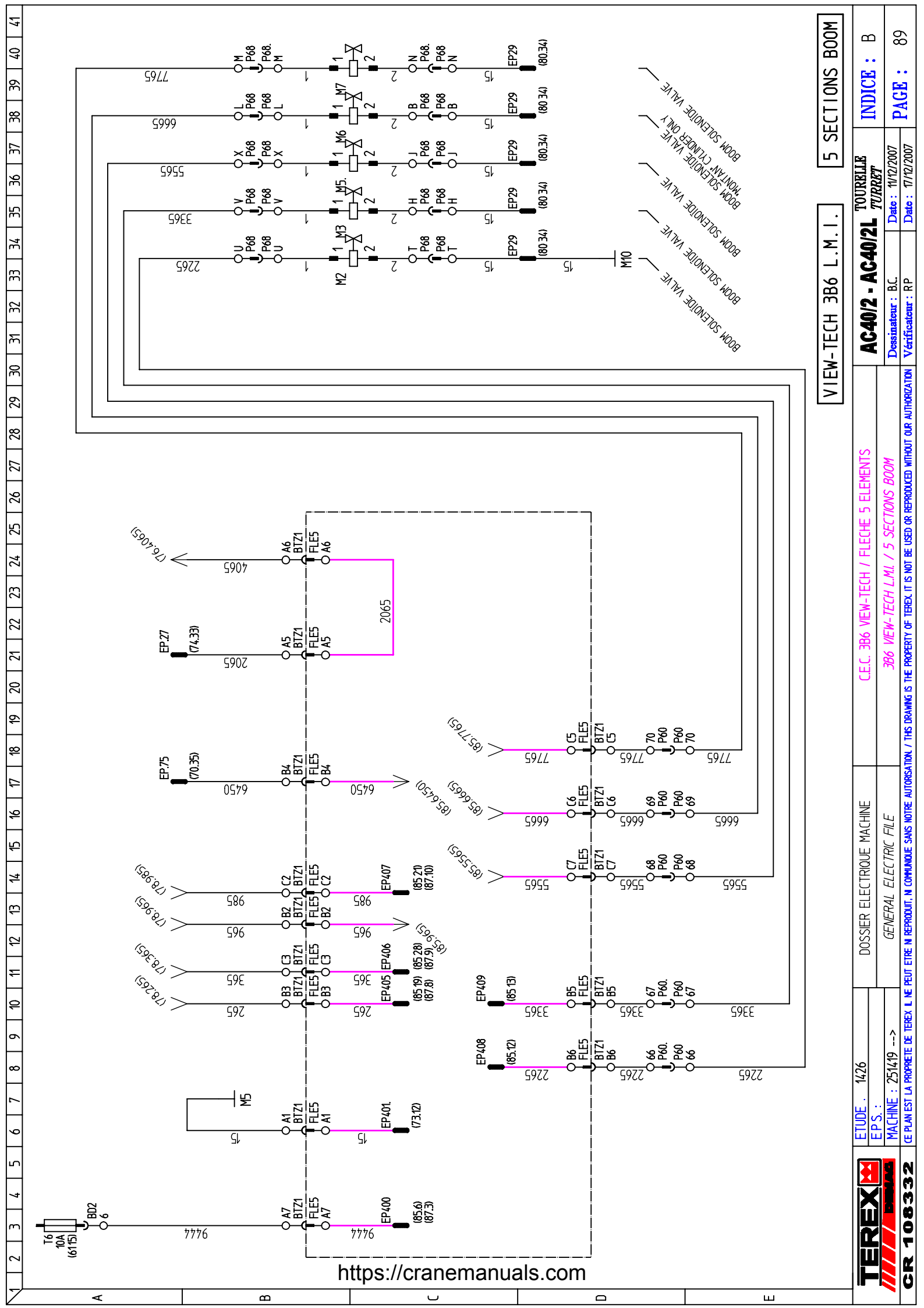
	ETUDE : 1426	DOSSIER ELECTRIQUE MACHINE	CEC. 3B6 VIEW-TECH / FLECHE 4 ELEMENTS	TOURILLE	INDICE : B	
	E.P.S. : MACHINE : 2514/9 -->	GENERAL ELECTRIC FILE	3B6 VIEW-TECH L.M.I. / 4 SECTIONS BOOM	TURRET	Date : 11/12/2007	
CR 108332	CE PLAN EST LA PROPRITE DE TEREX L NE PEUT ETRE REPRODUIT, NI COMMUNE SANS NOTRE AUTORISATION / THIS DRAWING IS THE PROPERTY OF TEREX IT IS NOT BE USED OR REPRODUCED WITHOUT OUR AUTHORIZATION			Verificateur : RP	Date : 17/12/2007	PAGE : 87



<https://cranemanuals.com>

VIEW-TECH 3B6 L.M.I. 4 SECTIONS BOOM

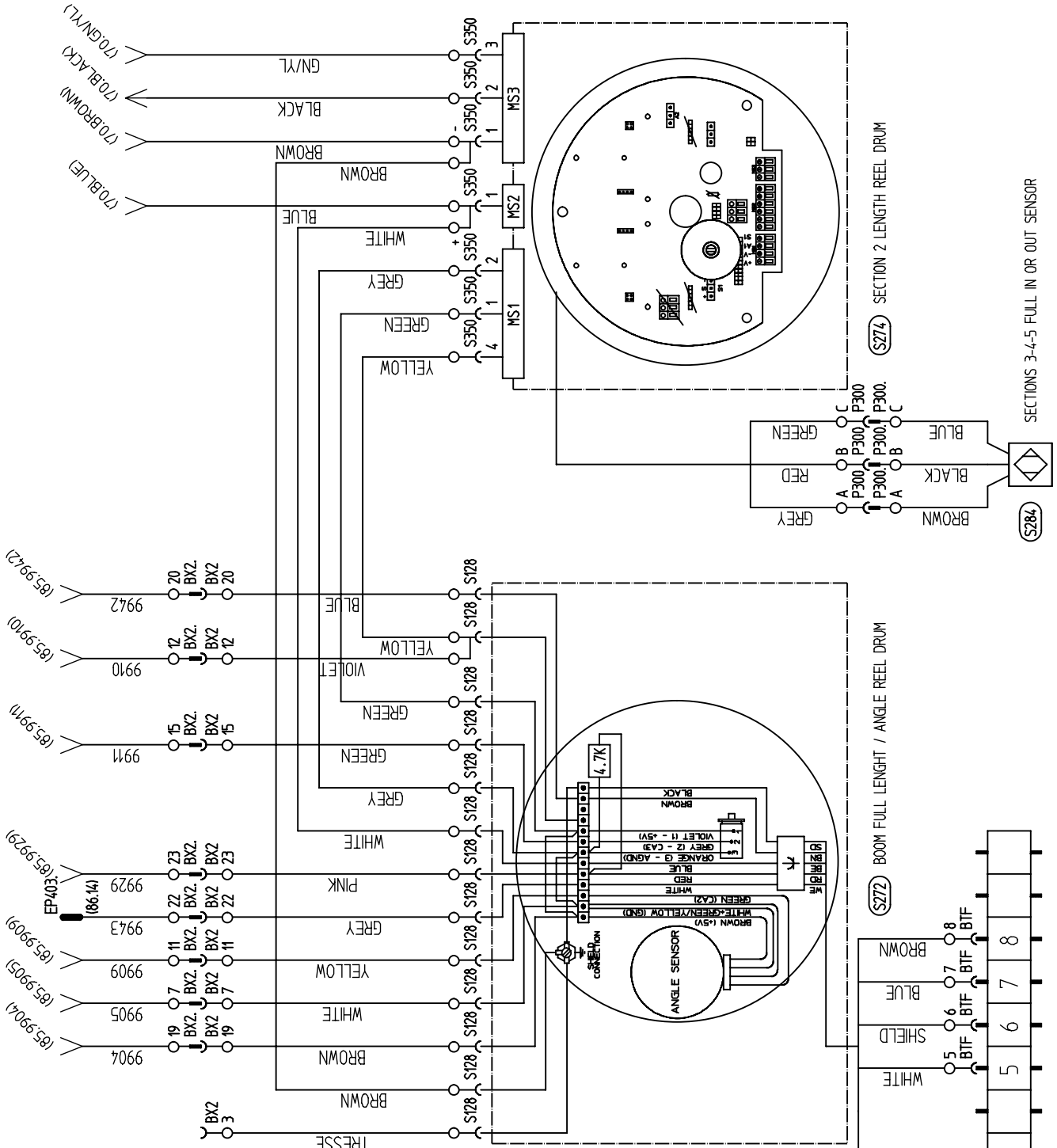
	ETUDE : 1426	DOSSIER ELECTRIQUE MACHINE	CEC. 3B6 VIEW-TECH / FLECHE 4 ELEMENTS	TOURELLE AC40/2L - AC40/2L TURRET	INDICE : B
	E.P.S. :	GENERAL ELECTRIC FILE	3B6 VIEW-TECH L.M.I. / 4 SECTIONS BOOM	Dessinateur : B.C.	Date : 11/12/2007
MACHINE : 251419 -->		CE PLAN EST LA PROPRETE DE TEREX L NE PEUT ETRE NI REPRODUIT, NI COMMUNIQUE SANS NOTRE AUTORISATION / THIS DRAWING IS THE PROPERTY OF TEREX IT IS NOT BE USED OR REPRODUCED WITHOUT OUR AUTHORIZATION		Verificateur : RP	Date : 17/12/2007
CR 108332					



<https://cranemanuals.com>

VIEW-TECH 3B6 L.M.I. 5 SECTIONS BOOM

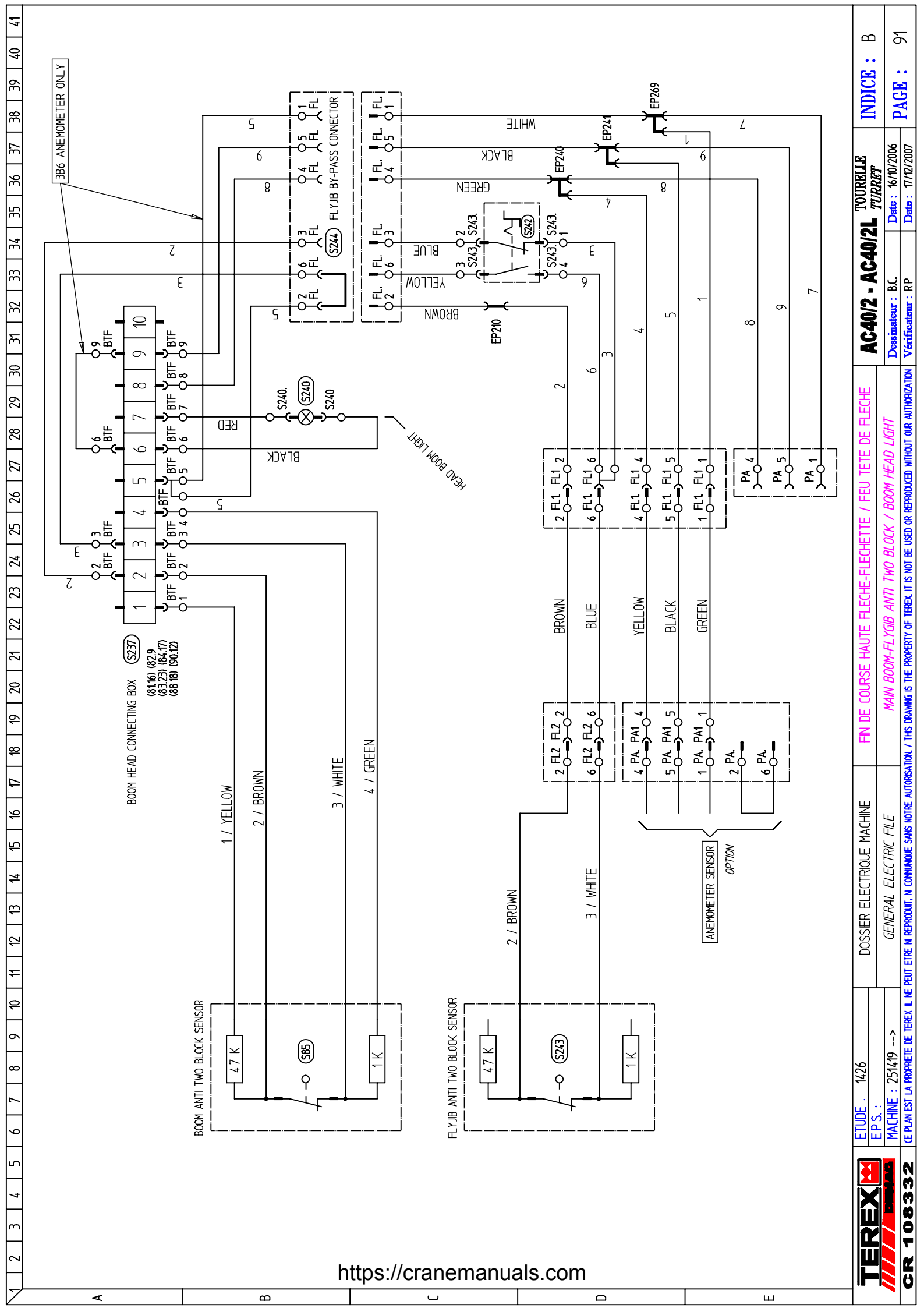
	ETUDE : 1426	DOSSIER ELECTRIQUE MACHINE	TOURBILLON TURRET	INDICE : B
	E.P.S. :	GENERAL ELECTRIC FILE	AC40/2 - AC40/2L	Date : 11/12/2007
CR 10832	MACHINE : 251419 -->	GENERAL ELECTRIC FILE	Dessinateur : B.C.	Date : 11/12/2007
	CE PLAN EST LA PROPRIETE DE TEREX L NE PEUT ETRE NI REPRODUIT, NI COMMUNIQUE SANS NOTRE AUTORISATION / THIS DRAWING IS THE PROPERTY OF TEREX IT IS NOT BE USED OR REPRODUCED WITHOUT OUR AUTHORIZATION			Vérificateur : RP
				PAGE : 89

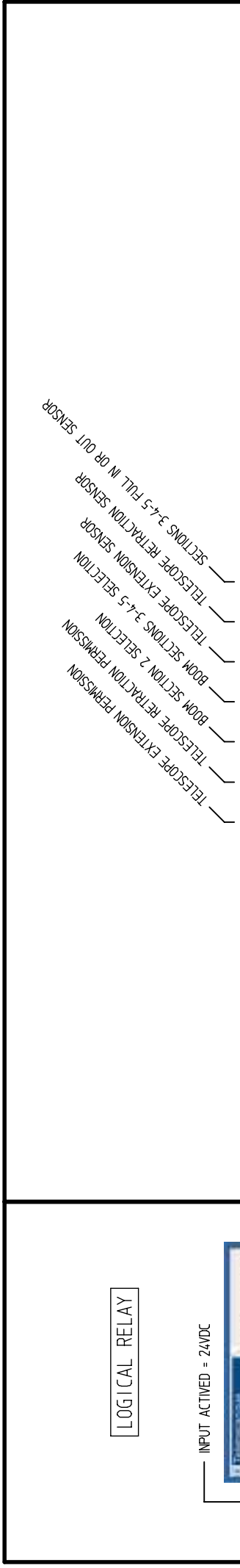


VIEW-TECH 3B6 L.M.I.

5 SECTIONS BOOM

	ETUDE : 1426	DOSSIER ELECTRIQUE MACHINE	TOURILLE TURRET	INDICE : B
	E.P.S. :	GENERAL ELECTRIC FILE	AC40/2 - AC40/2L	DATE : 11/12/2007
MACHINE : 251419 -->			Dessinateur : B.C.	PAGE : 90
CE PLAN EST LA PROPRIETE DE TEREX L NE PEUT ETRE REPRODUIT, NI COMMUNE SANS NOTRE AUTORISATION / THIS DRAWING IS THE PROPERTY OF TEREX IT IS NOT BE USED OR REPRODUCED WITHOUT OUR AUTHORIZATION			Vérificateur : RP	DATE : 17/12/2007





FONCTIONS / FUNCTIONS		ENTREES / INPUTS										SORTIES / OUTPUTS										NOTA
		11	12	13	14	15	16	17	18	19	1A	1B	1C	01	02	03	04	05	06	07	08	
SECTION 2 EXTENSION		●	●	●	●	●	●	●														
SECTION 2 RETRACTION WITH 3-4-5 FULL IN		●	●	●	●	●	●	●														
SECTION 2 RETRACTION WITH 3-4-5 FULL OUT OR NOT		●	●	●	●	●	●	●														
SECTIONS 3-4-5 EXTENSION		●	●	●	●	●	●	●														
SECTIONS 3-4-5 FULL OUT		●	●	●	●	●	●	●														
SECTIONS 3-4-5 RETRACTION		●	●	●	●	●	●	●														

FONCTIONS / FUNCTIONS		ENTREES / INPUTS										SORTIES / OUTPUTS										NOTA
		11	12	13	14	15	16	17	18	19	1A	1B	1C	01	02	03	04	05	06	07	08	
SECTION 2 EXTENSION																						
SECTION 2 RETRACTION WITH 3-4-5 FULL IN																						
SECTION 2 RETRACTION WITH 3-4-5 FULL OUT OR NOT																						
SECTIONS 3-4-5 EXTENSION																						
SECTIONS 3-4-5 FULL OUT																						
SECTIONS 3-4-5 RETRACTION																						

FONCTIONS / FUNCTIONS		ENTREES / INPUTS										SORTIES / OUTPUTS										NOTA
		11	12	13	14	15	16	17	18	19	1A	1B	1C	01	02	03	04	05	06	07	08	
SECTION 2 EXTENSION																						
SECTION 2 RETRACTION WITH 3-4-5 FULL IN																						
SECTION 2 RETRACTION WITH 3-4-5 FULL OUT OR NOT																						
SECTIONS 3-4-5 EXTENSION																						
SECTIONS 3-4-5 FULL OUT																						
SECTIONS 3-4-5 RETRACTION																						

NOTA

1	Quand / When I5 = 0 ----> O7 = 1 pendant / during 15 s				

BOOM SLENDRE VALVE M2
BOOM SLENDRE VALVE M3
BOOM SLENDRE VALVE M4
BOOM SLENDRE VALVE M5
BOOM SLENDRE VALVE M6
BOOM SLENDRE VALVE M7

TELESCOPE EXTENSION PERMISSION
TELESCOPE RETRACTION PERMISSION
BOOM SECTION 2 SELECTION
BOOM SECTIONS 3-4-5 SELECTION
TELESCOPE EXTENSION SENSOR
TELESCOPE RETRACTION SENSOR
BOOM SECTION 3-4-5 FULL IN OR OUT SENSOR

MENTOR PAT L. M. I. | DS360C PAT L. M. I. | MEGALCOMP 3B6 L. M. I. | *MONTAN* CYLINDER ONLY | 5 SECTIONS BOOM

1 2 3 4 5 6 7 8 9 10 11 12 13 14 15 16 17 18 19 20 21 22 23 24 25 26 27 28 29 30 31 32 33 34 35 36 37 38 39 40 41

LOGICAL RELAY

TELESCOPE EXTENSION PERMISSION
 TELESCOPE RETRACTION PERMISSION
 BOOM SECTION 2 SELECTION
 BOOM SECTION 3-4-5 SELECTION
 TELESCOPE EXTENSION SENSOR
 TELESCOPE RETRACTION SENSOR
 BOOM SECTION 3-4-5 FULL IN OR OUT SENSOR

NOTA	ENTREES / INPUTS	IA	IB	IC	SORTIES / OUTPUTS	O8
FONCTIONS / FUNCTIONS SECTION 2 EXTENSION SECTION 2 RETRACTION WITH 3-4-5 FULL IN SECTION 2 RETRACTION WITH 3-4-5 FULL OUT OR NOT SECTIONS 3-4-5 EXTENSION SECTIONS 3-4-5 FULL OUT SECTIONS 3-4-5 RETRACTION	I1				O1	
	I2				O2	
	I3				O3	
	I4				O4	
	I5				O5	
	I6				O6	
	I7				O7	
	I8				O8	
	I9					
	I10					
	I11					
	I12					
	I13					
	I14					
	I15					
	I16					
I17						
I18						
I19						
I20						
I21						
I22						
I23						
I24						
I25						
I26						
I27						
I28						
I29						
I30						
I31						
I32						
I33						
I34						
I35						
I36						
I37						
I38						
I39						
I40						
I41						

FONCTIONS / FUNCTIONS

● COMPULSORIES INPUTS/OUTPUTS FOR THE FUNCTION

NOTA

1 Quand / When I5 = 0 ----> O7 = 1 pendant / during 15 s

BOOM SOLENOID VALVE M7

BOOM SOLENOID VALVE M5

BOOM SOLENOID VALVE M3

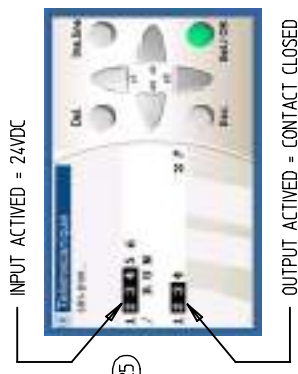
BOOM SOLENOID VALVE M2

MENTOR PAT L. M. I. | DS360C PAT L. M. I. | MEGALCOMP 386 L. M. I. | *10TT1* CYLINDER ONLY | 5 SECTIONS BOOM

ETUDE : 1426	DOSSIER ELECTRIQUE MACHINE	ETAT DES ENTREES / SORTIES MODULE RELAIS FLECHE 5 ELEMENTS	AC40/2 - AC40/2L
E.P.S. :	GENERAL ELECTRIC FILE	5 SECTIONS BOOM LOGICAL RELAY INPUTS / OUTPUTS	TOURBILLON TURRET
MACHINE : 251419 -->			INDICE : B
CE PLAN EST LA PROPRIETE DE TEREX L NE PEUT ETRE NI REPRODUIT, NI COMMUNIQUE SANS NOTRE AUTORISATION / THIS DRAWING IS THE PROPERTY OF TEREX IT IS NOT BE USED OR REPRODUCED WITHOUT OUR AUTHORIZATION			PAGE : 93



LOGICAL RELAY



PROGRAM PART NUMBER

ELECTRIC DIAGRAM SEE PAGE (79/10)

● COMPULSORIES INPUTS/OUTPUTS FOR THE FUNCTION

ENTREES / INPUTS																SORTIES / OUTPUTS				NOTA							
SECTION 3 AND 4 TELESCOPE RETRACTION																SECTION 2 TELESCOPE RETRACTION											
I 1																O 1											
I 2																O 2											
I 3																O 3											
I 4																O 4											
I 5																											
I 6																											

BOOM SECTIONS 3-4 SELECTION
 BOOM SECTION 2 SELECTION
 TELESCOPE RETRACTION SENSOR
 LMI PERMISSION

SECTION 3 AND 4 TELESCOPE RETRACTION
 SECTION 2 TELESCOPE RETRACTION
 LMI LOAD CAPACITY CHART SELECTION

MENTOR PAT L. M. I. | DS360C PAT L. M. I. | MEGALOMP 3B6 L. M. I. | 4 SECTIONS BOOM



ETUDE : 1426
 EPS :
 MACHINE : 251419 -->

DOSSIER ELECTRIQUE MACHINE
 GENERAL ELECTRIC FILE

ETAT DES ENTREES / SORTIES MODULE RELAIS FLECHE 4 ELEMENTS
 4 SECTIONS BOOM LOGICAL RELAY INPUTS / OUTPUTS

TOURBILLON TURRETT
AC40/2 - AC40/2L
 INDICE : B
 Dessinateur : B.C. Date : 16/10/2006
 Verificateur : RP Date : 17/12/2007
 PAGE : 94

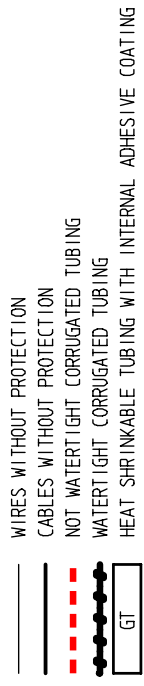
WIRES AND CABLES PART NUMBERS

0.6 mm2	FIL SOUPLE 06 mm2 : U 04045-42
1 mm2	FIL SOUPLE 1 mm2 : K 04045-10
1.5 mm2	FIL SOUPLE 1.5 mm2 L 04045-11
2.5 mm2	FIL SOUPLE 2.5 mm2 : M 04045-12
4 mm2	FIL SOUPLE 4 mm2 : N 04045-13
7 mm2	FIL SOUPLE 7 mm2 : P 04045-14
10 mm2	FIL SOUPLE 10 mm2 : U 04045-88
16 mm2	FIL SOUPLE 16 mm2 : V 04045-89
type A	CABLE ELECTRO DIN A : U 12407-76
type B	CABLE ELECTRO DIN B : T 12407-75
type C	CABLE CAN : J 04045-78
type D	CABLE CONNECTEUR 2 VOIES : G 03407-97
type E	CABLE SOUPLE 2 x 1 mm2 : S 04045-17
type F	CABLE SOUPLE 3 x 1 mm2 : T 04045-18
type G	CABLE SOUPLE 4 x 1 mm2 : U 04045-19
type H	CABLE CONNECTEUR 4 VOIES : W 69522-07
type J	CABLE SOUPLE 6 x 1 mm2 : S 70472-85
type K	CABLE BLINDE 4 x 0.5 mm2 : T 04045-64
type L	CABLE BLINDE 7 x 0.5 mm2 : U 04045-65
type M	CABLE CONNECTEUR 2 VOIES : V 12407-77
type N	CABLE CONNECTEUR 6 VOIES : T 70522-54
type O	CABLE ELECTRO DIN A / Lgr 10m : B 12407-82
type P	CABLE CAPTEUR ABS 12M T 75522-97
type Q	CABLE MODULEUR ABS 45M . S 75522-96
type R	CABLE REMORQUAGE ABS 12M . U 75522-98
type S	CABLE SOUPLE 36 x 1 mm2 : F 04045-52
type T	CABLE BI-CARBURANT 5 x 15 mm2 / Lgr 7m - G 80522-60
type U	CABLE SOUPLE 7 x 0.6 mm2 : E 04045-74
type V	CABLE SOUPLE 5 x 1 mm2 : K 04045-33
type W	CABLE SOUPLE 10 x 1 mm2 : W 04045-67
type X	CABLE SOUPLE 20 x 1 mm2 : T 00045-25

WIRES AND CABLES PART NUMBERS

type Y	CABLE BLINDE 3 x 0.5 mm2 .
type Z	CABLE TACHYGRAPHE 135 m : A 82522-39
type AA	CABLE BLINDE 4 x 0.5 mm2 réf. 3B6 CV TP1/10
type AB	CABLE BLINDE 6 x 0.35 mm2 réf. 3B6 : CV AC1/10
type AC	CABLE BLINDE 2 x 0.5 mm2 .
type AD	CABLE non BLINDE 4 x 0.5 mm2 .
type AE	CABLE non BLINDE 5 x 0.5 mm2 .
type AF	CABLE DIN4 / Lgr 15 m réf. MURRELEKTRONIK · 247169
type AG	CABLE BLINDE 10 x 0.35 mm2 réf. 3B6 : CV 10 X 0.35-SCH
type AH	CABLE TACHYGRAPHE 850 m . J 83522-74
type AI	CABLE SOUPLE 4 FILS torsadés réf VDO : KN05-5425-109
type AJ	CABLE DIN A / Lgr 5 m réf. MURRELEKTRONIK : F04001
type AK	CABLE SOUPLE 2 x 1.5 mm2 réf. PRELLI · 7113 152
type AL	CABLE SOUPLE 25 x 1 mm2 : Z 62045-02
type AM	CABLE SOUPLE 7 x 1 mm2 réf. PRELLI · 7113 107
type AN	CABLE non BLINDE 12 x 1 mm2 type LIYY
type AO	CABLE BLINDE 4 x 0.5 mm2 type LIYCY
type AP	CABLE BLINDE 16 x 1 mm2 type LIYCY
type AQ	CABLE SOUPLE BLINDE 12 x 1 mm2 réf. LAPP MULLER .
type AR	CABLE SOUPLE 70 x 1 mm2 réf LAPP MULLER : 61597
type AS	CONNECTEUR M12 COUDE SURMOULE · Q 85522-19
type AT	CONNECTEUR M12 DROIT SURMOULE · K 86522-18
type AU	CONNECTEUR M12 DROIT SURMOULE BLINDE L 86522-19
type AV	CONNECTEUR USB SURMOULE réf. PARKER . 5030124
type AW	
type AX	
type AY	
type AZ	
type BA	
type BB	
type BC	

CAPTION



SUPPLIER / PART NUMBER

	SIB-ADR CO-FLEX Polyamide 6 Noir -40°C +120°C	FRANKISCHE CO-FLEX PA6 noir -40°C +120°C
	SIB-ADR POLYFLEX Polyamide 6 Noir -40°C +140°C	FRANKISCHE Profil standard PA6 FFMYD-MOD-(IBS) -40°C +140°C
	GREMCO GREA Polyolefine Noir -55°C +110°C	

TECHNICAL SPECIFICATIONS

WIRES-CABLES lengths = sleeve lengths OUT
 SHEATH lengths = lengths CUTTED
 SLEEVE lengths = lengths CUTTED
 SHEATHS penetration to HALF-SLEEVE
 wires BLACK marking every 100 mm throughout the LENGTHS
 Marking specifications : IN / WIRE / OUT
 SPLICES manufacturing by ULTRASOUND method
 SPLICES protection by THERMO. SLEEVES
 ENDS marking by ADHESIVE LAMINATED labels
 LABELS : BLACK writing / WHITE or YELLOW background
 CORRUGATED and HEAT SHRINKABLE TUBING OPTIMIZATION
 CUTTED LENGTHS ALLOWANCE : +/- 1%



CR 108332

ETUDE : 1426
 E.P.S. :
 MACHINE : 251419 -->
 CE PLAN EST LA PROPRIETE DE TEREX L NE PEUT ETRE NI REPRODUIT, NI COMMUNIQUE SANS NOTRE AUTORISATION / THIS DRAWING IS THE PROPERTY OF TEREX IT IS NOT BE USED OR REPRODUCED WITHOUT OUR AUTHORIZATION

DOSSIER ELECTRIQUE MACHINE
 GENERAL ELECTRIC FILE

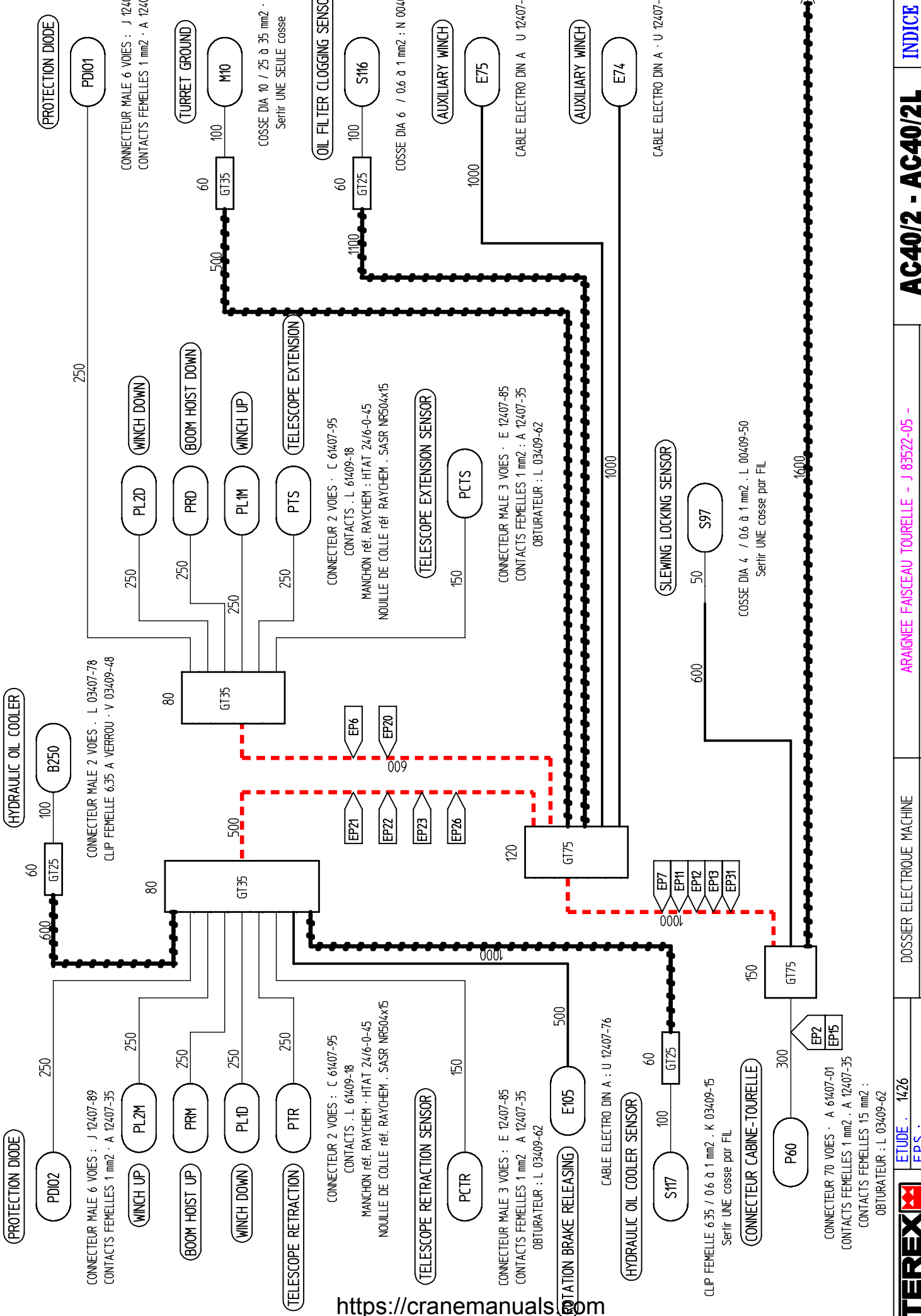
TABLEAUX CARACTERISTIQUES FABRICATION FAISCEAUX
 LOOMS FABRICATION MEAN FEATURES

AC40/2 - AC40/2L
 Dessinateur : B.C.
 Date : 16/10/2006
 Verificateur : R.P.
 Date : 17/12/2007

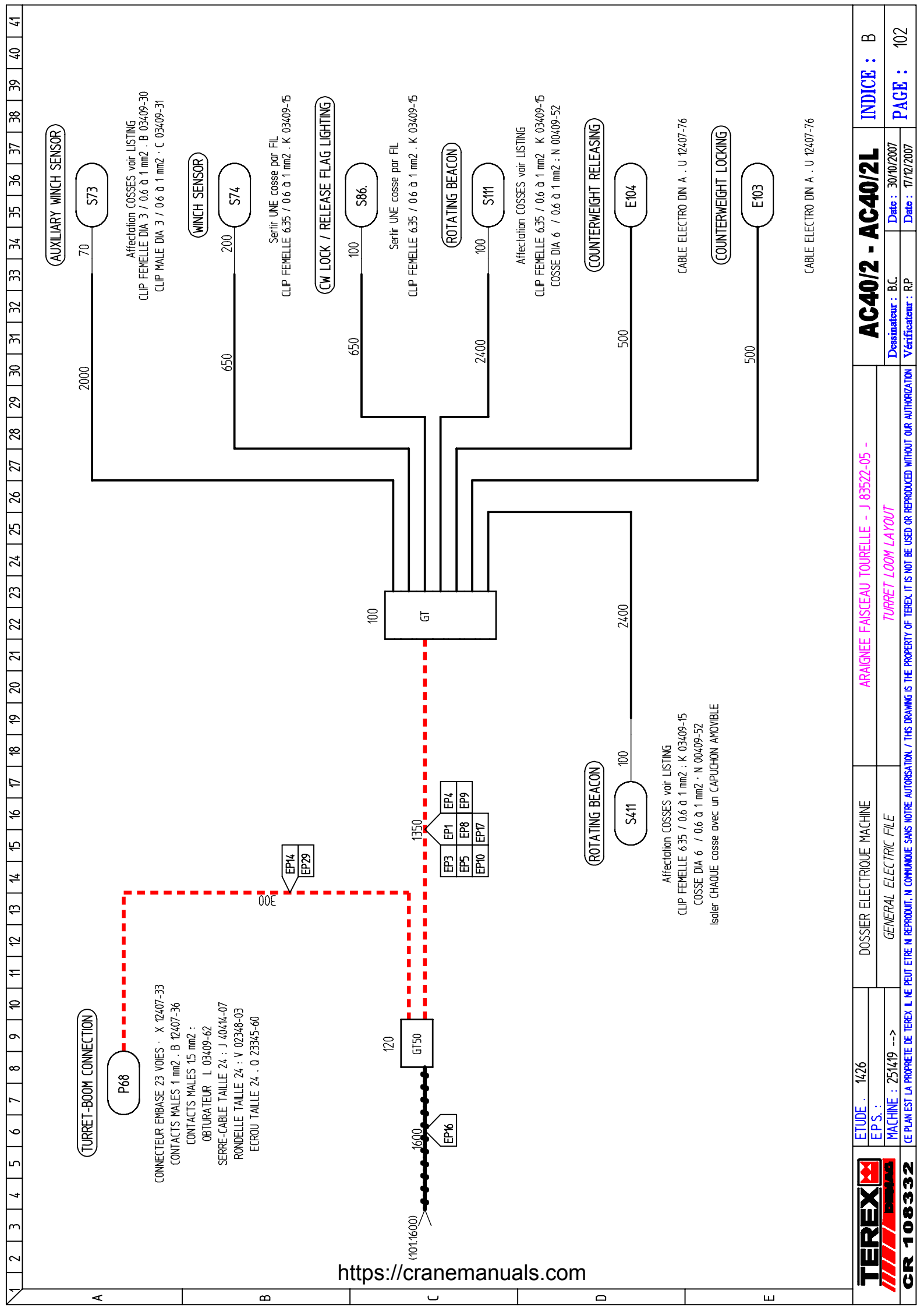
INDICE : A
 PAGE : 100

1 2 3 4 5 6 7 8 9 10 11 12 13 14 15 16 17 18 19 20 21 22 23 24 25 26 27 28 29 30 31 32 33 34 35 36 37 38 39 40 41

A B C D E



https://cranematerials.com



<https://cranemanuals.com>

	ETUDE . 1426	DOSSIER ELECTRIQUE MACHINE	AC40/2 - AC40/2L ARAGNEE FAISCEAU TOURELLE - J 83522-05 - TURRET LOOM LAYOUT	INDICE : B
	MACHINE : 251419 -->	GENERAL ELECTRIC FILE		Dessinateur : B.C. Date : 30/10/2007
CR 108332	CE PLAN EST LA PROPRIETE DE TEREX L NE PEUT ETRE NI REPRODUIT, NI COMMUNIQUE SANS NOTRE AUTORISATION / THIS DRAWING IS THE PROPERTY OF TEREX IT IS NOT BE USED OR REPRODUCED WITHOUT OUR AUTHORIZATION			Date : 17/12/2007

(COMPONENTS PART NUMBER OUT OF CONNECTORS)

ITEM	PPM P/N	FUNCTION	TECHNICAL DESCRIPTION	SUPPLIER / PART NUMBER	SUPPLIER / PART NUMBER	PAGE
ABS	F6641623	ABS ELECTRONIC UNIT	BOITIER ELECTRONIQUE ABS			24
ADM2	W9141002	ADM ELECTRONIC UNIT	BOITIER ELECTRONIQUE ADM2			4
AZ 2	E6341679	TRANSMISSION CONTROL	SELECTEUR DE VITESSES D9			63
BAT1	N6441852	12V BATTERY	BATTERIE 12V - 170 AH CHARGEE			4
BAT2	N6441852	12V BATTERY	BATTERIE 12V - 170 AH CHARGEE			4
BV30	MANUEL PR	30 LIGHTS BOARD	PLATINE CIRCUIT IMPRIME 30 LED SOUDEES			4
BV50	U6851534	8 LIGHTS PANEL	COMBINE 8 VOYANTS HORIZONTAL			64
BV51	M2451558	8 LIGHTS PANEL	COMBINE 8 VOYANTS HORIZONTAL			63
CEC_1	J6741607	MEGACOMP L.M.I. PANEL	CONSOLE CONTROLEUR ETAT DE CHARGES			84
CEC_2	F6741627	DS360C L.M.I. PANEL	CONSOLE CEC DS360C/0001			82
CEC_3	D6841606	3B6 ELECTRONIC UNIT	BOITIER ELECTRONIQUE VIEW-TECH			85
CI-BR2	V8652205	16 RELAYS BOARD	CIRCUIT IMPRIME 16 MINI-RELAIS			9
CI-BR3	V8652205	16 RELAYS BOARD	CIRCUIT IMPRIME 16 MINI-RELAIS			10
CI-BR51	A6252274	2 RELAYS BOARD	CIRCUIT IMPRIME 2 RELAIS			64
CI-BR52	A6252274	2 RELAYS BOARD	CIRCUIT IMPRIME 2 RELAIS			75
CI-BR60	Z6252273	5 RELAYS BOARD	CIRCUIT IMPRIME 5 RELAIS			76
CI17	K8052286	FUSE BOARD	CIRCUIT IMPRIME 58 FUSIBLES			7
CI18	O7552248	FUSE BOARD	CIRCUIT IMPRIME 34 FUSIBLES			60
DI01	H6340785	PROTECTION DIODE	CONNECTEUR 3 DIODES INTEGRES			76
DI02	H6340785	PROTECTION DIODE	CONNECTEUR 3 DIODES INTEGRES			76
DI05	H6340785	PROTECTION DIODE	CONNECTEUR 3 DIODES INTEGRES			12
DI06	H6340785	PROTECTION DIODE	CONNECTEUR 3 DIODES INTEGRES			13
EL1D	K6643674	WINCH DOWN	VALVE DE COUPEURE TYPE FTWE4 / 24V-14.4W			75
EL1M	K6643674	WINCH UP	VALVE DE COUPEURE TYPE FTWE4 / 24V-14.4W			76
EL2D	K6643674	WINCH DOWN	VALVE DE COUPEURE TYPE FTWE4 / 24V-14.4W			76
EL2M	K6643674	WINCH UP	VALVE DE COUPEURE TYPE FTWE4 / 24V-14.4W			76
ERM	K6643674	BOOM HOIST DOWN	VALVE DE COUPEURE TYPE FTWE4 / 24V-14.4W			76
ERM	K6643674	BOOM HOIST UP	VALVE DE COUPEURE TYPE FTWE4 / 24V-14.4W			76
ETR	K6643674	TELESCOPE RETRACTION	VALVE DE COUPEURE TYPE FTWE4 / 24V-14.4W			76
ETS	K6643674	TELESCOPE EXTENSION	VALVE DE COUPEURE TYPE FTWE4 / 24V-14.4W			76
E2	D6541893	INTER-WHEELS DIFFERENTIAL	BOBINE 26VDC			23
E5	D6541893	FRONT AXLE LOCKING	BOBINE 26VDC			22
E6	D0865953	FRONT SUSPENSION RELEASING	BOBINE 28V / 19W			21
E7	D0865953	REAR SUSPENSION RELEASING	BOBINE 28V / 19W			21
E8	D6541893	REAR STEERING RELEASING	BOBINE 26VDC			25
E10	X6943307	EXHAUST BRAKE	VALVE FREIN ECHAPPEMENT			11
E11	D6541893	REAR STEERING LOCKING	BOBINE 26VDC			25
E31	D6541893	FRONT AXLE RELEASING	BOBINE 26VDC			22
E32	U6841828	FRONT RIGHT SUSPENSION DOWN	BOBINE 28VCC - 17W			43
E33	U6841828	REAR RIGHT SUSPENSION UP	BOBINE 28VCC - 17W			43
E34	U6841828	REAR RIGHT SUSPENSION DOWN	BOBINE 28VCC - 17W			43
E35	U6841828	FRONT LEFT SUSPENSION UP	BOBINE 28VCC - 17W			43
E36	U6841828	FRONT LEFT SUSPENSION DOWN	BOBINE 28VCC - 17W			43
E37	U6841828	REAR LEFT SUSPENSION UP	BOBINE 28VCC - 17W			43
E38	U6841828	REAR LEFT SUSPENSION DOWN	BOBINE 28VCC - 17W			43

https://cranemanuals.com



CR 108332

ETUDE : 1426
E.P.S. :
MACHINE : 251419 -->

DOSSIER ELECTRIQUE MACHINE
GENERAL ELECTRIC FILE

REFERENCES COMPOSANTS HORS CONNECTIQUE
COMPONENTS PART NUMBER OUT OF CONNECTORS

AC4012 - AC40/2L
Dessinateur : B.C.
Vérificateur : RP

INDICE : B
PAGE : 150

Date : 16/10/2006
Date : 17/12/2007

CE PLAN EST LA PROPRIETE DE TEREX L NE PEUT ETRE NI REPRODUIT, NI COMMUNIQUE SANS NOTRE AUTORISATION / THIS DRAWING IS THE PROPERTY OF TEREX IT IS NOT BE USED OR REPRODUCED WITHOUT OUR AUTHORIZATION

(COMPONENTS PART NUMBER OUT OF CONNECTORS)

ITEM	PPM P/N	FUNCTION	TECHNICAL DESCRIPTION	SUPPLIER / PART NUMBER	SUPPLIER / PART NUMBER	PAGE
E40	U6841828	FRONT RIGHT SUSPENSION UP	BOBINE 28VCC - 17W			43
E42	E6541894	TURRET AIR POWER	BOBINE 24VDC HAUTES TOLERANCES			37
E43	H6641832	LEFT REAR STEERING	BOBINE 28VCC			25
E44	H6641832	RIGHT REAR STEERING	BOBINE 28VCC			25
E49	D6541893	CHOKE	BOBINE 26VDC			14
E60	H6641832	FRONT LEFT BEAM OUT	BOBINE 28VCC			32
E61	H6641832	FRONT LEFT BEAM IN	BOBINE 28VCC			32
E62	H6641832	FRONT RIGHT BEAM OUT	BOBINE 28VCC			32
E63	H6641832	FRONT RIGHT BEAM IN	BOBINE 28VCC			32
E64	H6641832	REAR LEFT BEAM OUT	BOBINE 28VCC			32
E65	H6641832	REAR LEFT BEAM IN	BOBINE 28VCC			32
E66	H6641832	REAR RIGHT BEAM OUT	BOBINE 28VCC			32
E67	H6641832	REAR RIGHT BEAM IN	BOBINE 28VCC			32
E74	H6641832	AUXILIARY WINCH	BOBINE 28VCC			77
E75	H6641832	AUXILIARY WINCH	BOBINE 28VCC			77
E93	H6641832	SECTION 2 TELESCOPE RETRACTION	BOBINE 28VCC			79
E94	H6641832	SECTION 3 AND 4 TELESCOPE RETRACTION	BOBINE 28VCC			79
E101	H6641832	CW DOWN	BOBINE 28VCC			38
E102	H6641832	CW UP	BOBINE 28VCC			38
E103	H6641832	COUNTERWEIGHT LOCKING	BOBINE 28VCC			72
E104	H6641832	COUNTERWEIGHT RELEASING	BOBINE 28VCC			72
E105	H6641832	ROTATION BRAKE RELEASING	BOBINE 28VCC			77
E106	D6541893	ROTATION LOCKING	BOBINE 26VDC			77
E107	D6541893	ROTATION RELEASING	BOBINE 26VDC			77
E175	T6841827	OUTRIGGERS FLOW	BOBINE 28VCC - 27W			34
E190	H6641832	FRONT LEFT PAD OUT	BOBINE 28VCC			31
E191	H6641832	FRONT LEFT PAD IN	BOBINE 28VCC			31
E192	H6641832	FRONT RIGHT PAD OUT	BOBINE 28VCC			31
E193	H6641832	FRONT RIGHT PAD IN	BOBINE 28VCC			31
E194	H6641832	REAR LEFT PAD OUT	BOBINE 28VCC			31
E195	H6641832	REAR LEFT PAD IN	BOBINE 28VCC			31
E196	H6641832	REAR RIGHT PAD OUT	BOBINE 28VCC			31
E197	H6641832	REAR RIGHT PAD IN	BOBINE 28VCC			31
E237	T6841827	TURRET ROTATION FLOW	BOBINE 28VCC - 27W			38
E241	T6841827	DECOMPRESSION CIRCUIT SUSPENSION	BOBINE 28VCC - 27W			34
F1	F1441254	FUSE	FUSIBLE PLAT 5A / BEIGE			8
F1-BR2	F1441254	FUSE	FUSIBLE PLAT 5A / BEIGE			9
F1-BR3	G1441255	FUSE	FUSIBLE PLAT 10A / ROUGE			10
F2	H1441256	FUSE	FUSIBLE PLAT 15A / BLEU			8
F3	F1441254	FUSE	FUSIBLE PLAT 5A / BEIGE			8
F3-BR2	H1441256	FUSE	FUSIBLE PLAT 15A / BLEU			9
F4	U2641269	FUSE	FUSIBLE PLAT 40A / AMBRE			8
F4-BR2	G1441255	FUSE	FUSIBLE PLAT 10A / ROUGE			9
F4-BR3	H2641281	FUSE	FUSIBLE PLAT 7.5A / MARRON			10
F5	H1441256	FUSE	FUSIBLE PLAT 15A / BLEU			8



CR 108332

ETUDE : 1426
E.P.S. :
MACHINE : 251419 -->

DOSSIER ELECTRIQUE MACHINE
GENERAL ELECTRIC FILE

REFERENCES COMPOSANTS HORS CONNECTIQUE
COMPONENTS PART NUMBER OUT OF CONNECTORS

AC4012 - AC40/2L
Dessinateur : B.C.
Vérificateur : RP

INDICE : B
Date : 16/10/2006
Date : 17/12/2007
PAGE : 151

CE PLAN EST LA PROPRIETE DE TEREX L NE PEUT ETRE NI REPRODUIT, NI COMMUNIQUE SANS NOTRE AUTORISATION / THIS DRAWING IS THE PROPERTY OF TEREX IT IS NOT BE USED OR REPRODUCED WITHOUT OUR AUTHORIZATION

COMPONENTS PART NUMBER OUT OF CONNECTORS

ITEM	PPM P/N	FUNCTION	TECHNICAL DESCRIPTION	SUPPLIER / PART NUMBER	SUPPLIER / PART NUMBER	PAGE
F5-BR3	H2641281	FUSE	FUSIBLE PLAT 7.5A / MARRON			10
F6	J1441257	FUSE	FUSIBLE PLAT 20A / JAUNE			8
F6-BR2	H1441256	FUSE	FUSIBLE PLAT 15A / BLEU			9
F7	K2641283	FUSE	FUSIBLE PLAT 3A / VIOLET			8
F7-BR2	H2641281	FUSE	FUSIBLE PLAT 7.5A / MARRON			9
F7-BR3	G1441255	FUSE	FUSIBLE PLAT 10A / ROUGE			10
F8	F1441254	FUSE	FUSIBLE PLAT 5A / BEIGE			8
F8-BR2	H2641281	FUSE	FUSIBLE PLAT 7.5A / MARRON			9
F8-BR3	G1441255	FUSE	FUSIBLE PLAT 10A / ROUGE			10
F9	F1441254	FUSE	FUSIBLE PLAT 5A / BEIGE			8
F9-BR3	G1441255	FUSE	FUSIBLE PLAT 10A / ROUGE			10
F10	F1441254	FUSE	FUSIBLE PLAT 5A / BEIGE			8
F10-BR2	H1441256	FUSE	FUSIBLE PLAT 15A / BLEU			9
F11	F1441254	FUSE	FUSIBLE PLAT 5A / BEIGE			8
F11-BR2	H1441256	FUSE	FUSIBLE PLAT 15A / BLEU			9
F11-BR3	K2641283	FUSE	FUSIBLE PLAT 3A / VIOLET			10
F12	H1441256	FUSE	FUSIBLE PLAT 15A / BLEU			8
F12-BR2	H1441256	FUSE	FUSIBLE PLAT 15A / BLEU			9
F12-BR3	H2641281	FUSE	FUSIBLE PLAT 7.5A / MARRON			10
F13	G1441255	FUSE	FUSIBLE PLAT 10A / ROUGE			8
F13-BR2	J1441257	FUSE	FUSIBLE PLAT 20A / JAUNE			9
F13-BR3	G1441255	FUSE	FUSIBLE PLAT 10A / ROUGE			10
F14	K2641283	FUSE	FUSIBLE PLAT 3A / VIOLET			8
F14-BR2	F1441254	FUSE	FUSIBLE PLAT 5A / BEIGE			9
F15	F1441254	FUSE	FUSIBLE PLAT 5A / BEIGE			8
F15-BR2	F1441254	FUSE	FUSIBLE PLAT 5A / BEIGE			9
F16	K2641283	FUSE	FUSIBLE PLAT 3A / VIOLET			8
F16-BR3	F1441254	FUSE	FUSIBLE PLAT 5A / BEIGE			10
F17	H1441256	FUSE	FUSIBLE PLAT 15A / BLEU			8
F18	G1441255	FUSE	FUSIBLE PLAT 10A / ROUGE			8
F19	K2641283	FUSE	FUSIBLE PLAT 3A / VIOLET			8
F20	K2641283	FUSE	FUSIBLE PLAT 3A / VIOLET			8
F21	K2641283	FUSE	FUSIBLE PLAT 3A / VIOLET			8
F22	K2641283	FUSE	FUSIBLE PLAT 3A / VIOLET			8
F23	K2641283	FUSE	FUSIBLE PLAT 3A / VIOLET			8
F24	F1441254	FUSE	FUSIBLE PLAT 5A / BEIGE			8
F25	F1441254	FUSE	FUSIBLE PLAT 5A / BEIGE			8
F26	G1441255	FUSE	FUSIBLE PLAT 10A / ROUGE			18
F31	G1441255	FUSE	FUSIBLE PLAT 10A / ROUGE			8
F32	H1441256	FUSE	FUSIBLE PLAT 15A / BLEU			8
F33	G1441255	FUSE	FUSIBLE PLAT 10A / ROUGE			18
F36	K2641283	FUSE	FUSIBLE PLAT 3A / VIOLET			4
F39	G1441255	FUSE	FUSIBLE PLAT 10A / ROUGE			7
F40	H1441256	FUSE	FUSIBLE PLAT 15A / BLEU			7
F41	J2641282	FUSE	FUSIBLE PLAT 30A / VERT			7



CR 108332

ETUDE : 1426
E.P.S. :
MACHINE : 251419 -->

DOSSIER ELECTRIQUE MACHINE
GENERAL ELECTRIC FILE

REFERENCES COMPOSANTS HORS CONNECTIQUE
COMPONENTS PART NUMBER OUT OF CONNECTORS

AC4012 - AC40/2L
INDICE : B
Dessinateur : B.C. Date : 16/10/2006
Vérificateur : R.P. Date : 17/12/2007
PAGE : 152

CE PLAN EST LA PROPRIETE DE TEREX L NE PEUT ETRE NI REPRODUIT, NI COMMUNIQUE SANS NOTRE AUTORISATION / THIS DRAWING IS THE PROPERTY OF TEREX IT IS NOT BE USED OR REPRODUCED WITHOUT OUR AUTHORIZATION

COMPONENTS PART NUMBER OUT OF CONNECTORS

ITEM	PPM P/N	FUNCTION	TECHNICAL DESCRIPTION	SUPPLIER / PART NUMBER	SUPPLIER / PART NUMBER	PAGE
F42	G1441255	FUSE	FUSIBLE PLAT 10A / ROUGE			7
F43	H1441256	FUSE	FUSIBLE PLAT 15A / BLEU			7
F44	J1441257	FUSE	FUSIBLE PLAT 20A / JAUNE			7
F45	G1441255	FUSE	FUSIBLE PLAT 10A / ROUGE			7
F46	H1441256	FUSE	FUSIBLE PLAT 15A / BLEU			7
F47	G1441255	FUSE	FUSIBLE PLAT 10A / ROUGE			7
F48	F1441254	FUSE	FUSIBLE PLAT 5A / BEIGE			7
F49	J2641282	FUSE	FUSIBLE PLAT 30A / VERT			7
F50	H2641281	FUSE	FUSIBLE PLAT 7 5A / MARRON			7
F51	J1441257	FUSE	FUSIBLE PLAT 20A / JAUNE			7
F52	G1441255	FUSE	FUSIBLE PLAT 10A / ROUGE			7
F53	G1441255	FUSE	FUSIBLE PLAT 10A / ROUGE			7
F54	G1441255	FUSE	FUSIBLE PLAT 10A / ROUGE			7
F55	G1441255	FUSE	FUSIBLE PLAT 10A / ROUGE			7
F56	G1441255	FUSE	FUSIBLE PLAT 10A / ROUGE			7
F57	G1441255	FUSE	FUSIBLE PLAT 10A / ROUGE			7
F58	K2641283	FUSE	FUSIBLE PLAT 3A / VIOLET			7
K1	L2641215	ANTI TIPPING SAFETY	RELAIS INSTANTANE 1RT			85
K23	L2641215	ABS DEFAULT	RELAIS INSTANTANE 1RT			24
K24	L2641215	ZF DEFAULT DISABLE	RELAIS INSTANTANE 1RT			15
MR	SVT N° MOT	ENGINE ELECTRONIC UNIT	BOITIER ELECTRONIQUE MOTEUR			4
M2	H6641832	TELESCOPAGE FLECHE 5 ELEMENTS	BOBINE 28VCC			80
M3	H6641832	TELESCOPAGE FLECHE 5 ELEMENTS	BOBINE 28VCC			80
M5	H6641832	TELESCOPAGE FLECHE 5 ELEMENTS	BOBINE 28VCC			80
M6	H6641832	TELESCOPAGE FLECHE 5 ELEMENTS	BOBINE 28VCC			80
M7	H6641832	TELESCOPAGE FLECHE 5 ELEMENTS	BOBINE 28VCC			80
PPBS6	MANUEL PR	FUEL TYPE SELECTION BOX	FAISCEAU ELECTRIQUE 7 x 1 MM2 - LGR 9M			39
RT1	X2641272	WINDSCREEN WIPER TIMER	TEMPORISATEUR			67
R1	L2641215	FRONT WINDSCREEN WIPER	RELAIS INSTANTANE 1RT			67
R1-BR2	L2641215	REAR STEERING RELEASING	RELAIS INSTANTANE 1RT			9
R1-BR3	L2641215	RED FUEL SELECTION	RELAIS INSTANTANE 1RT			10
R1-BR51	R6141107	FRONT SUSPENSION LOCKING	RELAIS INSTANTANE 4RT			64
R1-BR52	R6141107	SEAT SAFETY SWITCH	RELAIS INSTANTANE 4RT			75
R1-BR60	L2641215	BOOM HOIST UP	RELAIS INSTANTANE 1RT			76
R2-BR51	R6141107	REAR SUSPENSION LOCKING	RELAIS INSTANTANE 4RT			64
R2-BR60	L2641215	LMI SAFETY RELAY	RELAIS INSTANTANE 1RT			74
R3	P6340768	120 OHMS RESISTOR	CONNECTEUR AVEC RESISTANCE 120 OHMS			48
R3-BR2	L2641215	HORN	RELAIS INSTANTANE 1RT			9
R3-BR3	L2641215	MAIN SWITCH	RELAIS INSTANTANE 1RT			10
R3-BR60	L2641215	ANTI TWO BLOCK SAFETY RELAY	RELAIS INSTANTANE 1RT			74
R4-BR2	L2641215	STOP LIGHTS	RELAIS INSTANTANE 1RT			9
R4-BR3	L2641215	REAR SUSPENSION RELEASING	RELAIS INSTANTANE 1RT			10
R4-BR60	L2641215	HYDRAULIC OIL COOLER	RELAIS INSTANTANE 1RT			71
R5-BR3	L2641215	FRONT SUSPENSION RELEASING	RELAIS INSTANTANE 1RT			10
R5-BR60	L2641215	OUTRIGGERS PERMISSION	RELAIS INSTANTANE 1RT			62



CR 108332

ETUDE : 1426
E.P.S. :
MACHINE : 251419 -->

DOSSIER ELECTRIQUE MACHINE
GENERAL ELECTRIC FILE

REFERENCES COMPOSANTS HORS CONNECTIQUE
COMPONENTS PART NUMBER OUT OF CONNECTORS

Dessinateur : B.C.
Date : 16/10/2006
Vérificateur : R.P.
Date : 17/12/2007

AC4012 - AC40/2L
INDICE : B
PAGE : 153

CE PLAN EST LA PROPRIETE DE TEREX L NE PEUT ETRE NI REPRODUIT, NI COMMUNIQUE SANS NOTRE AUTORISATION / THIS DRAWING IS THE PROPERTY OF TEREX IT IS NOT BE USED OR REPRODUCED WITHOUT OUR AUTHORIZATION

COMPONENTS PART NUMBER OUT OF CONNECTORS

ITEM	PPM P/N	FUNCTION	TECHNICAL DESCRIPTION	SUPPLIER / PART NUMBER	SUPPLIER / PART NUMBER	PAGE
R6-BR2	L2641215	FRONT FOG LIGHTS	RELAIS INSTANTANE 1RT			9
R6-BR3	L2641215	GEAR BOX NEUTRAL	RELAIS INSTANTANE 1RT			10
R7-BR2	L2641215	REAR FOG LIGHTS	RELAIS INSTANTANE 1RT			9
R7-BR3	L2641215	OUTRIGGERS FLOW	RELAIS INSTANTANE 1RT			10
R8-BR2	L2641215	REVERSE LIGHTS	RELAIS INSTANTANE 1RT			20
R8-BR3	L2641215	ABS ACTIVED	RELAIS INSTANTANE 1RT			24
R9-BR2	L2641215	AUDIBLE ALARM CUT OFF RELAY	RELAIS INSTANTANE 1RT			9
R9-BR3	L2641215	TURRET AIR POWER	RELAIS INSTANTANE 1RT			10
R10-BR2	L2641215	AIR CONDITION MOTOR	RELAIS INSTANTANE 1RT			9
R10-BR3	L2641215	ENGINE ON	RELAIS INSTANTANE 1RT			10
R11-BR2	L2641215	AIR CONDITION COMPRESSOR	RELAIS INSTANTANE 1RT			9
R11-BR3	L2641215	ENGINE ON	RELAIS INSTANTANE 1RT			10
R12-BR2	L2641215	LOW BEAM	RELAIS INSTANTANE 1RT			9
R12-BR3	L2641215	ZF HARNESS POWER	RELAIS INSTANTANE 1RT			10
R13-BR2	L2641215	HIGH BEAM	RELAIS INSTANTANE 1RT			9
R13-BR3	L2641215	CARRIER TRANSMISSION CONTROL NEUTRAL	RELAIS INSTANTANE 1RT			10
R14-BR2	L2641215	LEFT REAR STEERING	RELAIS INSTANTANE 1RT			9
R14-BR3	L2641215	TURRET TRANSMISSION CONTROL NEUTRAL	RELAIS INSTANTANE 1RT			10
R15-BR2	L2641215	RIGHT REAR STEERING	RELAIS INSTANTANE 1RT			9
R15-BR3	L2641215	GEAR BOX NEUTRAL	RELAIS INSTANTANE 1RT			10
R16-BR2	L2641215	TURRET GENERAL WARNING	RELAIS INSTANTANE 1RT			12
R16-BR3	L2641215	SPEED > 15 KM/H	RELAIS INSTANTANE 1RT			15
S2	MANUEL PR	BOOM HOIST UP OVERRIDE	BOUTON POUSSOIR + CORPS A 1 CONTACT NO			76
S3	A6741668	LIGHTING SWITCH	COMMUNICATEUR ECLAIRAGE			18
S4	V6341717	LEFT OVERSIZE LIGHT	FEU D'ENCOMBREMENT ROUGE / NOIR			49
S5	X6141642	FRONT BRAKE AIR PRESSURE	CAPEUR DE PRESSION 0-10B / ALERTE 5.2B			12
S6	X6141642	REAR BRAKE AIR PRESSURE	CAPEUR DE PRESSION 0-10B / ALERTE 5.2B			12
S7	MANUEL PR	TACHOMETER / HOURMETER	RECEPTEUR COMPTE-TOURS CANCOCKPIT			13
S8	P6641884	HYDRAULIC OIL COOLER SENSOR	CAPEUR THERMOSTATIQUE / F:50°C / 0.45°C			71
S12	D5241381	SLEWING LOCKING SENSOR	INTERRUPTEUR DE POSITION A GALET			77
S13	M0941723	ROTATING BEACON	FEU ROTATIF A FIXATION TUBULAIRE			70
S14	H6741606	SUSPENSION LOCKING SWITCH	CONTACTEUR A BASCULE VERROUILLABLE			64
S15	H7143209	HYDRAULIC OIL COOLER	REFRIGERANT HUILE HYDRAULIQUE			71
S16	MANUEL PR	SPEEDOMETER	COMPTEUR VITESSES 0-120KM/ CANCOCKPIT			12
S17	O8441382	ROD SIDE TRANSDUCER	SONDE TYPE DAVIS 600/2000			82
S20	MANUEL PR	FRONT BRAKE AIR PRESSURE	RECEPTEUR PRESSION AIR 0-10B ANALOGIQUE			12
S21	D3141665	CLUTCH OIL PRESSURE SENSOR	CAPEUR DE PRESSION 0-25B			12
S22	P6841616	FUEL GAUGE	RECEPTEUR JAUGE A GAS-OIL CANCOCKPIT			13
S23	N2241868	TURRET PARKING BRAKE SENSOR	CAPEUR DE PRESSION 0.8 BAR			38
S24	M0941723	ROTATING BEACON	FEU ROTATIF A FIXATION TUBULAIRE			70
S25	L6141148	LOGICAL RELAY	MODULE LOGIQUE 6 E / 4 S EQUIPE			79
S26	Z6541659	REAR STEERING RELEASING SWITCH	CONTACTEUR 3 POSITIONS A BASCULE			25
S27	A6541660	REAR STEERING SWITCH	CONTACTEUR 3 POSITIONS A BASCULE			25
S28	S6141775	LEFT LATERAL PARKING LIGHT	FEU DE POSITION LATERAL A LED			18
S29	X6141527	ALTERNATOR	ALTERNATEUR TYPE NCB1 - 28V 15/80A			4



CR 108332

ETUDE : 1426
E.P.S. :
MACHINE : 251419 -->

DOSSIER ELECTRIQUE MACHINE
GENERAL ELECTRIC FILE

REFERENCES COMPOSANTS HORS CONNECTIQUE
COMPONENTS PART NUMBER OUT OF CONNECTORS

AC4012 - AC40/2L
Dessinateur : B.C.
Date : 16/10/2006
Vérificateur : R.P.
Date : 17/12/2007

INDICE : B
PAGE : 154

CE PLAN EST LA PROPRIETE DE TEREX L NE PEUT ETRE NI REPRODUIT, NI COMMUNIQUE SANS NOTRE AUTORISATION / THIS DRAWING IS THE PROPERTY OF TEREX IT IS NOT BE USED OR REPRODUCED WITHOUT OUR AUTHORIZATION

COMPONENTS PART NUMBER OUT OF CONNECTORS

ITEM	PPM P/N	FUNCTION	TECHNICAL DESCRIPTION	SUPPLIER / PART NUMBER	SUPPLIER / PART NUMBER	PAGE
A	S30	CARRIER / TURRET SELECTION SWITCH	CONTACTEUR 3 POSITIONS A BASCULE			37
	S31	FRONT RIGHT OUTRIGGER	CONTACTEUR 3 POSITIONS A BASCULE			29
	S32	BEAMS OR PADS SELECTION	CONTACTEUR 3 POSITIONS A BASCULE			29
	S34	REAR LEFT OUTRIGGER	CONTACTEUR 3 POSITIONS A BASCULE			29
	S35	FRONT LEFT OUTRIGGER	CONTACTEUR 3 POSITIONS A BASCULE			29
	S36	REAR LEFT OUTRIGGER	CONTACTEUR 3 POSITIONS A BASCULE			30
	S37	FRONT LEFT OUTRIGGER	CONTACTEUR 3 POSITIONS A BASCULE			30
	S38	REAR RIGHT OUTRIGGER	CONTACTEUR 3 POSITIONS A BASCULE			30
	S39	FRONT RIGHT OUTRIGGER	CONTACTEUR 3 POSITIONS A BASCULE			30
	S40	LOGICAL RELAY	MODULE LOGIQUE 12 E / 8 S EQUIPE			80
	S41	FUEL FILTER / WATER SEPARATOR	FILTRE GAS-OIL / SEPARATEUR EAU			39
	S42	BLINKERS UNIT	CENTRALE CLIGNOTANTE 3+1 X 21W			17
	S43	HAZARD SWITCH	INTERRUPTEUR 2 POSITIONS A BASCULE			17
	S45	EMERGENCY SHUT-DOWN	BOITIER ARRET URGENCE			14
	S46	EMERGENCY SHUT-DOWN	BOITIER ARRET URGENCE			14
	S47	LEFT LATERAL PARKING LIGHT	FEU DE POSITION LATERAL A LED			18
	S48	RIGHT LATERAL PARKING LIGHT	FEU DE POSITION LATERAL A LED			18
	S49	LEFT LATERAL PARKING LIGHT	FEU DE POSITION LATERAL A LED			18
	S50	FUEL GAUGE	JAUGE A LEVIER - ASP / REF - LGR 492			13
	S52	BEAMS / PADS SELECTION SWITCH	CONTACTEUR 3 POSITIONS A BASCULE			66
	S54	RIGHT LOW BEAM	PROJECTEUR DE CROISEMENT DE-H7			19
	S55	LEFT HIGH BEAM	PROJECTEUR DE ROUTE FF-H7 + POSITION			19
	S56	RIGHT HIGH BEAM	PROJECTEUR DE ROUTE FF-H7 + POSITION			19
	S58	FRONT RIGHT FOG LIGHT	PROJECTEUR DE BROUILLARD AVANT			20
	S59	CIGAR LIGHTER	ALLUME-CIGARES			36
	S62	AIR CONDITION MOTOR	CONDENSEUR K32 - 24V			44
	S63	LEFT FRONT BLINKER	FEU INDICATEUR DE DIRECTION AVANT			17
	S64	HEATER / AIR CONDITION	BLOC CHAUFFAGE / CLIMATISATION			44
	S65	RIGHT FRONT BLINKER	FEU INDICATEUR DE DIRECTION AVANT			17
	S66	RIGHT LATERAL BLINKER	FEU INDICATEUR DE DIRECTION LATERAL D			17
	S67	AUTOMATIC SUSPENSION LEVEL SWITCH	CONTACTEUR 2 POSITIONS A BASCULE			41
	S68	LEFT LATERAL BLINKER	FEU INDICATEUR DE DIRECTION LATERAL G			17
	S70	MANUEL PR REAR BRAKE AIR PRESSURE	RECEPTEUR PRESSION AIR 0-10B ANALOGIQUE			12
	S71	LEFT LOW BEAM	PROJECTEUR DE CROISEMENT DE-H7			19
	S72	RIGHT FRONT SUSPENSION SWITCH	CONTACTEUR 3 POSITIONS A BASCULE			41
	S75	STOP LIGHT SENSOR	CAPEUR DE PRESSION 0.8 BAR			20
	S76	IGNITION-STARTING SWITCH	CONTACTEUR DEMARRAGE A CLE			5
	S77	TELESCOPE EXTENSION SENSOR	CAPEUR DE PRESSION 1RT / 5 BARS EQ.			78
	S78	FRONT AXLE LOCKING SWITCH	CONTACTEUR 3 POSITIONS A BASCULE			64
	S79	REAR STEERING RELEASING SWITCH	CONTACTEUR 3 POSITIONS A BASCULE			65
	S80	ROOF WINDSCREEN WIPER SWITCH	INTERRUPTEUR 2 POSITIONS A BASCULE			67
	S83	REAR STEERING SWITCH	CONTACTEUR 3 POSITIONS A BASCULE			65
	S84	ROD SIDE TRANSDUCER	CAPEUR DE PRESSION			84
	S85	BOOM ANTI TWO BLOCK SENSOR	CONTACTEUR DE POSITION A ELINGUE			91
	S86	THROTTLE PEDAL	PEDALE ACCELERATEUR			11



CR 108332

ETUDE : 1426
E.P.S. :
MACHINE : 251419 -->

DOSSIER ELECTRIQUE MACHINE
GENERAL ELECTRIC FILE

REFERENCES COMPOSANTS HORS CONNECTIQUE
COMPONENTS PART NUMBER OUT OF CONNECTORS

Dessinateur : B.C.
Date : 16/10/2006
Vérificateur : R.P.
Date : 17/12/2007

AC4012 - AC40/2L
INDICE : B
PAGE : 155

CE PLAN EST LA PROPRIETE DE TEREX L NE PEUT ETRE NI REPRODUIT, NI COMMUNIQUE SANS NOTRE AUTORISATION / THIS DRAWING IS THE PROPERTY OF TEREX IT IS NOT BE USED OR REPRODUCED WITHOUT OUR AUTHORIZATION

COMPONENTS PART NUMBER OUT OF CONNECTORS

ITEM	PPM P/N	FUNCTION	TECHNICAL DESCRIPTION	SUPPLIER / PART NUMBER	SUPPLIER / PART NUMBER	PAGE
S87	B6641619	REAR RIGHT OUTRIGGER	CONTACTEUR 3 POSITIONS A BASCULE			29
S88	F2241171	EXHAUST BRAKE	CONTACTEUR A PIED			11
S89	C8441393	SPEED SENSOR	GENERATEUR KITAS LG 35 / COSSES RONDES			12
S90	P2241869	TELESCOPE RETRACTION SENSOR	CAPTEUR DE PRESSION 1RT / 5 BARS EQ.			78
S92	N6141518	STARTER	DEMARREUR 24V			4
S93	H0241139	MAIN SWITCH	RELAIS DE BATTERIES			4
S94	X6141642	PARKING BRAKE SENSOR	CAPTEUR DE PRESSION 0-10B / ALERTE 5.2B			13
S95	H6741606	SUSPENSION LOCKING SWITCH	CONTACTEUR A BASCULE VERROUILLABLE			21
S96	W6150519	OIL FILTER CLOGGING SENSOR	INDICATEUR DE COLMATAGE			63
S99	B6641619	MANUAL THROTTLE SWITCH	CONTACTEUR 3 POSITIONS A BASCULE			63
S100	P6341734	FRONT LEFT FOG LIGHT	PROJECTEUR DE BROUILLARD AVANT			20
S101	MANUEL PR	TACHOGRAPH	TACHYGRAPHE			12
S101	MANUEL PR	TACHOGRAPH	TACHYGRAPHE NON ENREGISTREUR			12
S102	Z6350575	FUEL FILTER / WATER SEPARATOR	FILTRE GAS-OIL / SEPARATEUR EAU			39
S103	W6141618	REAR STEERING REVERSE DIRECTION SENSOR	DETECTEUR DE PROXIMITE 3 FILS/D18/8MM/NO			26
S104	H6641648	ABS OFF ROAD SELECTION SWITCH	CONTACTEUR 2 POSITIONS A BASCULE			24
S105	08441382	PISTON SIDE TRANSDUCER	SONDE TYPE DAYS 600/2000			82
S106	B6641619	LEFT FRONT OUTRIGGER SWITCH	CONTACTEUR 3 POSITIONS A BASCULE			66
S107	B6641619	RIGHT FRONT OUTRIGGER SWITCH	CONTACTEUR 3 POSITIONS A BASCULE			66
S108	B6641619	LEFT REAR OUTRIGGER SWITCH	CONTACTEUR 3 POSITIONS A BASCULE			66
S109	B6641619	RIGHT REAR OUTRIGGER SWITCH	CONTACTEUR 3 POSITIONS A BASCULE			66
S110	L6541670	OUTRIGGERS SWITCH	INTERRUPTEUR 2 POSITIONS A BASCULE			62
S112	W6541680	CW LOCK / RELEASE SWITCH	CONTACTEUR 3 POSITIONS A BASCULE			72
S113	F6141741	CEILING LIGHT	PLAFONNIER CENTRAL			35
S114	T6541677	WINDSCREEN WASHER SWITCH	CONTACTEUR 2 POSITIONS A BASCULE			68
S115	W6541694	FRONT WINDSCREEN WIPER SWITCH	INTERRUPTEUR 3 POSITIONS A BASCULE			67
S118	R6541675	FAN SWITCH	INTERRUPTEUR 2 POSITIONS A BASCULE			68
S119	06541674	WORKING LIGHT SWITCH	INTERRUPTEUR 2 POSITIONS A BASCULE			67
S120	P6541673	ROTATION BRAKE RELEASING SWITCH	INTERRUPTEUR 2 POSITIONS A BASCULE			77
S121	A6541683	ROTATION LOCK / RELEASE SWITCH	INTERRUPTEUR 2 POSITIONS A BASCULE			77
S122	N6541672	AUXILIARY WINCH SELECTION SWITCH	INTERRUPTEUR 2 POSITIONS A BASCULE			77
S123	MANUEL PR	24V/12V CONVERTER	CONVERTISSEUR DE TENSION 24V/12V			12
S125	S6541676	INTER-WHEELS DIFFERENTIAL SWITCH	CONTACTEUR 2 POSITIONS A BASCULE			23
S126	B6641619	BEAMS OR PADS SELECTION	CONTACTEUR 3 POSITIONS A BASCULE			30
S127	F2241171	SEAT SAFETY SWITCH OVERRIDE	CONTACTEUR COMMANDE AU PIED			75
S129	X6541658	FRONT AXLE LOCKING SWITCH	CONTACTEUR 3 POSITIONS A BASCULE			22
S132	F6141741	CEILING LIGHT	PLAFONNIER DROIT			35
S133	G5241361	AUXILIARY WINCH SENSOR	BOITIER FIN DE COURSE			75
S134	K6541669	ROTATING BEACON SWITCH	INTERRUPTEUR 2 POSITIONS A BASCULE			36
S135	D6541663	LEFT FRONT SUSPENSION SWITCH	CONTACTEUR 3 POSITIONS A BASCULE			41
S136	T0641648	RED FUEL INDICATOR	VOYANT ROUGE			39
S137	L6141723	CAB ROOF LIGHT	FEU D'IDENTIFICATION BLANC			36
S138	F2241171	HORN	CONTACTEUR COMMANDE AU PIED			69
S139	H6741606	SUSPENSION LOCKING SWITCH	CONTACTEUR A BASCULE VERROUILLABLE			64
S142	P6341665	CONVERTER OIL TEMPERATURE	CAPTEUR DE TEMPERATURE 50-150°C/AL. 120°C			13



CR 108332

ETUDE : 1426
E.P.S. :
MACHINE : 251419 -->

DOSSIER ELECTRIQUE MACHINE
GENERAL ELECTRIC FILE

REFERENCES COMPOSANTS HORS CONNECTIQUE
COMPONENTS PART NUMBER OUT OF CONNECTORS

AC4012 - AC40/2L
Dessinateur : B.C.
Vérificateur : RP
Date : 16/10/2006
Date : 17/12/2007

INDICE : B
PAGE : 156

CE PLAN EST LA PROPRIETE DE TEREX L NE PEUT ETRE NI REPRODUIT, NI COMMUNIQUE SANS NOTRE AUTORISATION / THIS DRAWING IS THE PROPERTY OF TEREX IT IS NOT BE USED OR REPRODUCED WITHOUT OUR AUTHORIZATION

COMPONENTS PART NUMBER OUT OF CONNECTORS

ITEM	PPM P/N	FUNCTION	TECHNICAL DESCRIPTION	SUPPLIER / PART NUMBER	SUPPLIER / PART NUMBER	PAGE
S145	L6141723	CAB ROOF LIGHT	FEU D'IDENTIFICATION BLANC			36
S146	X1441868	FRONT AXLE LOCKING SENSOR	CONTACTEUR DE POSITION A POUSSOIR NF			22
S147	X1441868	FRONT INTER-WHEELS DIFFERENTIAL	CONTACTEUR DE POSITION A POUSSOIR NF			23
S148	A1441893	TELESCOPE OUT SAFETY SWITCH	CAPTEUR DE PRESSION REGLABLE 100-400B			79
S149	X6641639	MIRROR DEFROST SWITCH	INTERRUPTEUR 2 POSITIONS A BASCULE			40
S150	R6441855	REAR STEERING LOCKING SENSOR	CONTACTEUR DE POSITION A POUSSOIR NO			26
S151	D6841813	RETARDER RELAYS UNIT	BOITE A CONTACTEURS NUE			27
S152	MANUEL PR	RETARDER CONTROL	COMMUTEUR 5 POSITIONS A LEVIER			27
S155	X6841831	RETARDER	ENSEMBLE STATOR 24V			27
S157	J6641626	REAR FOG LIGHT AUDIBLE ALARM	BUZZER SON CONTINU			20
S158	M6141632	REVERSE GEAR AUDIBLE ALARM	BUZZER SON INTERMITTENT			49
S159	U2241828	AIR DRYER	KIT RESISTANCE EPURATEUR			39
S160	A6141820	24V/12V CONVERTER	CONVERTISSEUR DE TENSION 24V/12V			35
S161	E6140705	12V PLUG	PRISE 12V OU 24V			35
S162	E6140705	24V PLUG	PRISE 12V OU 24V			35
S163	B6641619	MANUAL THROTTLE	CONTACTEUR 3 POSITIONS A BASCULE			29
S164	N6741657	RADIO	AUTO-RADIO			35
S165	A6141644	LOUD-SPEAKER	HAUT-PARLEUR (1 PAIRE)			35
S166	A6141644	LOUD-SPEAKER	HAUT-PARLEUR (1 PAIRE)			35
S167	D6541663	LEFT REAR SUSPENSION SWITCH	CONTACTEUR 3 POSITIONS A BASCULE			41
S168	C6141646	TURRET GENERAL WARNING	BUZZER SON CONTINU			63
S169	B6641619	MANUAL THROTTLE	CONTACTEUR 3 POSITIONS A BASCULE			30
S172	T6141155	LEFT DOOR SWITCH	CONTACTEUR DE PORTE			35
S173	T6141155	RIGHT DOOR SWITCH	CONTACTEUR DE PORTE			35
S174	U5443911	WINDSCREEN WIPER	MOTEUR ESSUIE-GLACE			35
S176	X1440833	WINDSCREEN WIPER TIMER	TEMPORISATEUR			35
S177	W8143101	TURRET STEERING CLUTCH	EMBRAYAGE ELECTROMAGNETIQUE EQUIPE			37
S178	X1441868	REAR INTER-WHEELS DIFFERENTIAL	CONTACTEUR DE POSITION A POUSSOIR NF			23
S179	L2340283	WINDSCREEN WASHER	BIDON LAVE-GLACE AVEC POMPE			35
S180	X2241693	ENGINE SHUT-DOWN	BOUTON COUP DE POING			62
S182	A6643642	CIRCUIT 2 STEERING FLOW	INDICATEUR DE DEBIT			13
S184	V2641201	IGNITION-STARTING SWITCH	COMMUTEUR DE DEMARRAGE A CLE			62
S188	V5241305	CW CYLINDER LOW POSITION SENSOR	INTERRUPTEUR DE POSITION A GALET			38
S189	H6541667	MANUAL THROTTLE SWITCH	CONTACTEUR 3 POSITIONS A BASCULE			28
S191	L5443926	FRONT WINDSCREEN WIPER	MOTEUR ESSUIE-GLACE			67
S192	M5443927	ROOF WINDSCREEN WIPER	MOTEUR ESSUIE-GLACE			67
S195	R0941727	WORKING LIGHT	PROJECTEUR DE TRAVAIL TYPE *MATADOR*			67
S200	R4043277	WINDSCREEN WASHER	BIDON LAVE-GLACE AVEC POMPE			68
S201	W6141779	CEILING LIGHT	PLAFONNIER TRANSISTORISE 24V/13W			68
S202	A6141828	24V/12V CONVERTER	CONVERTISSEUR DE TENSION 24V/12V			68
S205	S6141637	RADIO	AUTO-RADIO			68
S208	H6641625	LOUD-SPEAKER	HAUT-PARLEUR			68
S209	H6641625	LOUD-SPEAKER	HAUT-PARLEUR			68
S210	C6541892	CAB FAN	VENTILATEUR			68
S211	L6541670	OUTRIGGERS SWITCH	INTERRUPTEUR 2 POSITIONS A BASCULE			28



CR 108332

ETUDE : 1426
E.P.S. :
MACHINE : 251419 -->

DOSSIER ELECTRIQUE MACHINE
GENERAL ELECTRIC FILE

REFERENCES COMPOSANTS HORS CONNECTIQUE
COMPONENTS PART NUMBER OUT OF CONNECTORS

AC4012 - AC40/2L
Dessinateur : B.C.
Vérificateur : RP

INDICE : B
Date : 16/10/2006
Date : 17/12/2007
PAGE : 157

CE PLAN EST LA PROPRIETE DE TEREX L NE PEUT ETRE NI REPRODUIT, NI COMMUNIQUE SANS NOTRE AUTORISATION / THIS DRAWING IS THE PROPERTY OF TEREX IT IS NOT BE USED OR REPRODUCED WITHOUT OUR AUTHORIZATION

COMPONENTS PART NUMBER OUT OF CONNECTORS

ITEM	PPM P/N	FUNCTION	TECHNICAL DESCRIPTION	SUPPLIER / PART NUMBER	SUPPLIER / PART NUMBER	PAGE
S212	L0941768	CW LOCK / RELEASE FLAG LIGHTING	FEU ECLAIRAGE PLAQUE			70
S213	M6141632	CW CYLINDER HIGH POSITION AUDIBLE ALARM	BUZZER SON INTERMITTENT			38
S214	X0543212	CIGAR LIGHTER	ALLUME-CIGARES			69
S215	Z6543591	HORN	COMPRESSEUR			19
S216	MANUEL PR	BOITIER DE COMMANDE	KIT BI-CARBURATION			39
S217	MANUEL PR	FUEL TYPE SELECTION BOX	KIT BI-CARBURATION			39
S218	N6341733	ROTATING BEACON	FEU ROTATIF A FIXATION PLANE			36
S219	N6341733	ROTATING BEACON	FEU ROTATIF A FIXATION PLANE			36
S220	R6641656	TELESCOPE RETRACTION SYNCHRONIZATION	BOUTON TOURNANT SERRURE 3POS / 2RAP CENT			78
S222	R2241687	TELESCOPE CYLINDER SELECTION	BOUTON TOURNANT 2 POSITIONS FIXES			78
S223	P6141634	L M. I. OVERRIDE	TETE A SERRURE 2 POS / 1 A RAPPEL D-G			74
S223	J6141693	L M. I. OVERRIDE	CORPS COMPLET A 2 CONTACTS NO			74
S223	G2241149	L M. I. OVERRIDE	CONTACT NO			74
S224	MANUEL PR	WINCH UP OVERRIDE	BOUTON POUSSOIR + CORPS A 1 CONTACT NO			74
S225	K6741608	FUEL SELECTION SWITCH	INTERRUPTEUR 2 POSITIONS A BASCULE			39
S226	R6741614	OVERLOAD / LM1 OVERRIDE	SIRENE ELECTRONIQUE AVEC FLASH XENON			70
S227	D6541663	RIGHT REAR SUSPENSION SWITCH	CONTACTEUR 3 POSITIONS A BASCULE			41
S228	S6141775	LEFT LATERAL PARKING LIGHT	FEU DE POSITION LATERAL A LED			49
S229	U6341716	RIGHT OVERSIZE LIGHT	FEU D'ENCOMBREMENT ROUGE / NOIR			49
S230	M6042157	BOOM LENGTH / ANGLE REEL DRUM	ENROULEUR CEC / LG 154/0005			82
S231	S6141775	RIGHT LATERAL PARKING LIGHT	FEU DE POSITION LATERAL A LED			49
S232	C6841605	L M. I. PANEL	CONSOLE VIEW-TECH COLOR			85
S233	U8441386	SECTION 2 LENGTH REEL DRUM	ENROULEUR CEC / LG 152/0050			82
S234	B8441369	PISTON SIDE TRANSDUCER	CAPEUR DE PRESSION			84
S235	P6340768	120 OHMS RESISTOR	CONNECTEUR AVEC RESISTANCE 120 OHMS			85
S237	T1040813	BOOM HEAD CONNECTING BOX	BLOC DE JONCTION UNITAIRE			91
S238	A8941066	OUTRIGGERS CONTROL BOX	BOITIER STABS D CAPEUR DEVERS INTEGRE			29
S240	K0941744	HEAD BOOM LIGHT	FEU D' IDENTIFICATION BLANC			91
S241	A6741668	WINDSCREEN WIPER SWITCH				35
S242	R2241687	ANTI TWO BLOCK SAFETY SELECTION	BOUTON TOURNANT 2 POSITIONS FIXES			91
S243	F5241337	FLYJIB ANTI TWO BLOCK SENSOR	CONTACTEUR DE POSITION A ELINGUE			91
S244	P0040746	FLYJIB BY-PASS CONNECTOR	PRISE 7 CONTACTS			91
S245	W8441342	CAPEUR ABS ROUE AVANT GAUCHE	CAPEUR INDUCTIF 2 FILS COUDE			24
S246	W8441342	CAPEUR ABS ROUE AVANT DROITE	CAPEUR INDUCTIF 2 FILS COUDE			24
S247	W8441342	CAPEUR ABS ROUE ARRIERE GAUCHE	CAPEUR INDUCTIF 2 FILS COUDE			24
S248	W8441342	CAPEUR ABS ROUE ARRIERE DROITE	CAPEUR INDUCTIF 2 FILS COUDE			24
S249	V6643615	FRONT LEFT WHEEL ABS MODULATOR	MODULEUR ELECTRO-PNEUMATIQUE			24
S250	P6141657	SECTIONS 3-4-5 FULL IN OR OUT SENSOR	DETECTEUR PROXIMITE 3 FILS/D18/5MM/NO E0			82
S251	V6643615	FRONT RIGHT WHEEL ABS MODULATOR	MODULEUR ELECTRO-PNEUMATIQUE			24
S252	V6643615	REAR LEFT WHEEL ABS MODULATOR	MODULEUR ELECTRO-PNEUMATIQUE			24
S253	V6643615	REAR RIGHT WHEEL ABS MODULATOR	MODULEUR ELECTRO-PNEUMATIQUE			24
S256	L6641697	THRUSTLE PEDAL	PEDALE ACCELERATION ELECTRONIQUE			63
S257	X6541681	UP AND DOWN CW SWITCH	CONTACTEUR 3 POSITIONS A BASCULE			72
S258	G5241361	WINCH SENSOR	BOITIER FIN DE COURSE			75
S259	X2241187	SEAT SENSOR	CAPEUR ASSISE			75



CR 108332

ETUDE : 1426
E.P.S. :
MACHINE : 251419 -->

DOSSIER ELECTRIQUE MACHINE
GENERAL ELECTRIC FILE

REFERENCES COMPOSANTS HORS CONNECTIQUE
COMPONENTS PART NUMBER OUT OF CONNECTORS

AC4012 - AC40/2L
Dessinateur : B.C.
Date : 16/10/2006
Vérificateur : R.P.
Date : 17/12/2007

INDICE : B
PAGE : 158

CE PLAN EST LA PROPRIETE DE TEREX. IL NE PEUT ETRE NI REPRODUIT, NI COMMUNIQUE SANS NOTRE AUTORISATION. / THIS DRAWING IS THE PROPERTY OF TEREX. IT IS NOT BE USED OR REPRODUCED WITHOUT OUR AUTHORIZATION.

COMPONENTS PART NUMBER OUT OF CONNECTORS

ITEM	PPM P/N	FUNCTION	TECHNICAL DESCRIPTION	SUPPLIER / PART NUMBER	SUPPLIER / PART NUMBER	PAGE
S260	R6541652	ENGINE COOLANT LEVEL SENSOR	CAPEUR NIVEAU EAU MOTEUR			11
S263	A8941066	OUTRIGGERS CONTROL BOX	BOITIER STABS 6 CAPEUR DEVERS INTEGRE			30
S264	A8441368	BOOM LENGTH / ANGLE REEL DRUM	ENROULEUR CEC			84
S265	L8441378	SECTION 2 LENGTH REEL DRUM	ENROULEUR CEC			84
S267	P6340768	120 OHMS RESISTOR	CONNECTEUR AVEC RESISTANCE 120 OHMS			85
S268	B8441369	ROD SIDE TRANSDUCER	CAPEUR DE PRESSION			86
S269	B8441369	PISTON SIDE TRANSDUCER	CAPEUR DE PRESSION			86
S271	L6843614	POIGNEE VIBRANTE	POIGNEE VIBRANTE DEFILEMENT TREUIL			85
S272	G6042152	BOOM FULL LENGTH / ANGLE REEL DRUM	ENROULEUR CEC 5 BAGUES			90
S273	S8541319	CAPEUR DEFILEMENT TREUIL	CODEUR INCREMENTAL			85
S274	L8441378	SECTION 2 LENGTH REEL DRUM	ENROULEUR CEC			90
S275	P6141657	FRONT LEFT SUSPENSION UP	DETECTEUR PROXIMITE 3 FILS/D18/5MM/NO E0			42
S276	P3141698	FRONT LEFT SUSPENSION DOWN	DETECTEUR PROXIMITE 3 FILS/D18/5MM/NC E0			42
S277	P6141657	FRONT RIGHT SUSPENSION UP	DETECTEUR PROXIMITE 3 FILS/D18/5MM/NO E0			42
S278	P3141698	FRONT RIGHT SUSPENSION DOWN	DETECTEUR PROXIMITE 3 FILS/D18/5MM/NC E0			42
S279	P6141657	REAR LEFT SUSPENSION UP	DETECTEUR PROXIMITE 3 FILS/D18/5MM/NO E0			42
S280	P3141698	REAR LEFT SUSPENSION DOWN	DETECTEUR PROXIMITE 3 FILS/D18/5MM/NC E0			42
S281	P6141657	REAR RIGHT SUSPENSION UP	DETECTEUR PROXIMITE 3 FILS/D18/5MM/NO E0			42
S282	P3141698	REAR RIGHT SUSPENSION DOWN	DETECTEUR PROXIMITE 3 FILS/D18/5MM/NC E0			42
S283	06841847	AIR CONDITION LOW / HIGH PRESSURE SENSOR	PRESSOSTAT BASSE / HAUTE PRESSION			44
S286	G6042152	BOOM FULL LENGTH / ANGLE REEL DRUM	ENROULEUR CEC 5 BAGUES			88
S289	M6543557	AIR CONDITION COMPRESSOR	COMPRESSEUR SD7H15			44
S291	S6340794	DISTRIBUTOR CONNECTOR	CONNECTEUR REPARTITEUR 2 X 6 BROCHES			48
S292	T6340795	DISTRIBUTOR CONNECTOR	CONNECTEUR REPARTITEUR 6 BROCHES			48
S295	S6141775	RIGHT LATERAL PARKING LIGHT	FEU DE POSITION LATERAL A LED			18
S296	S6141775	RIGHT LATERAL PARKING LIGHT	FEU DE POSITION LATERAL A LED			18
S297	MANUEL PR	ADJUSTABLE MIRRORS SWITCH				40
S299	MANUEL PR	ADJUSTABLE MIRROR DEFROST				40
S300	MANUEL PR	ADJUSTABLE MIRROR DEFROST				40
S301	M6341709	LEFT REAR BLINKER	FEU CLIGNOTANT ARRIERE			49
S302	N6341710	LEFT STOP/LATERAL PARKING LIGHT	FEU DE POSITION/STOP			49
S303	M6341709	RIGHT REAR BLINKER	FEU CLIGNOTANT ARRIERE			49
S304	P6341711	LEFT REAR FOG LIGHT	FEU ARRIERE DE BROUILLARD			49
S305	06341712	LEFT REVERSE LIGHT	FEU DE RECUL			49
S306	E6341702	LEFT LICENCE PLATE LIGHT	FEU ECLAIREUR DE PLAQUE			49
S307	N6341710	RIGHT STOP/LATERAL PARKING LIGHT	FEU DE POSITION/STOP			49
S308	P6341711	RIGHT REAR FOG LIGHT	FEU ARRIERE DE BROUILLARD			49
S309	06341712	RIGHT REVERSE LIGHT	FEU DE RECUL			49
S312	E6341702	RIGHT LICENCE PLATE LIGHT	FEU ECLAIREUR DE PLAQUE			49
S313	N6141748	ROTATING BEALON	FEU ROTATIF A FIXATION PLANE			70
T1	G1441255	FUSE	FUSIBLE PLAT 10A / ROUGE			61
T2	F1441254	FUSE	FUSIBLE PLAT 5A / BEIGE			61
T3	G1441255	FUSE	FUSIBLE PLAT 10A / ROUGE			61
T4	G1441255	FUSE	FUSIBLE PLAT 10A / ROUGE			61
T5	J1441257	FUSE	FUSIBLE PLAT 20A / JAUNE			61



CR 108332

ETUDE : 1426
E.P.S. :
MACHINE : 251419 -->

DOSSIER ELECTRIQUE MACHINE
GENERAL ELECTRIC FILE

REFERENCES COMPOSANTS HORS CONNECTIQUE
COMPONENTS PART NUMBER OUT OF CONNECTORS

AC4012 - AC40/2L
Dessinateur : B.C.
Vérificateur : RP

INDICE : B
PAGE : 159
Date : 16/10/2006
Date : 17/12/2007

CE PLAN EST LA PROPRIETE DE TEREX L NE PEUT ETRE NI REPRODUIT, NI COMMUNIQUE SANS NOTRE AUTORISATION / THIS DRAWING IS THE PROPERTY OF TEREX IT IS NOT BE USED OR REPRODUCED WITHOUT OUR AUTHORIZATION

CONNECTORS PART NUMBER OUT OF COMPONENTS

ITEM	FUNCTION	CONNECTOR	TERMINALS AND SPLICES	TERMINALS AND SPLICES	PAGE
A	TACHOGRAPH	CONNECTEUR 8 VOIES réf. AMP : 927365	CONTACTS réf. AMP : 925590-1		12
	ADM ELECTRONIC UNIT	CONNECTEUR 12 VOIES : S 63407-02	CONTACTS : 0 61409-22	CALE DE CONNECTEUR réf. AMP : 967632-1	4
	ADM15	CONNECTEUR 15 VOIES : T 63407-03	CONTACTS : 0 61409-22	CALE DE CONNECTEUR réf. AMP : 967633-1	4
	ADM18	ADM ELECTRONIC UNIT	CONTACTS : 0 61409-22	CALE DE CONNECTEUR réf. AMP : 967634-1	11
	ADM21	ADM ELECTRONIC UNIT	CONTACTS : 0 61409-22	CONTACTS FEMELLES 1 à 2 5 mm2 réf. AMP : 927777-6	11
	ENGINE SHUT-DOWN		X		62
B	TACHOGRAPH	CONNECTEUR 8 VOIES réf. AMP : 927366	CONTACTS réf. AMP : 925590-1		12
	BABS1	CONNECTEUR 15 VOIES : M 63407-20	CONTACTS 0.5 à 1 mm2	CONTACTS FEMELLES 1 à 2.5 mm2 U 61409-26	24
	BABS2	CONNECTEUR 18 VOIES : U 63407-04	CONTACTS FEMELLES 1 à 2.5 mm2 : U 61409-26		24
	BA1	CONNECTEUR 8 VOIES : AMP 962189-1	CONTACTS MALES 2.8 mm / 0.5 à 1 mm2 : AMP 928930-1	CONTACTS MALES 2.8 mm / 1.5 à 2.5 mm2 : AMP 928781-1	35
	BA2	RADIO	CONNECTEUR 8 VOIES : AMP 962191-1	CONTACTS MALES 2.8 mm / 0.5 à 1 mm2 : AMP 928930-1	35
	BCL1M	HEATER / AIR CONDITION	CONNECTEUR 8 VOIES réf. RVI : 5010214494	CONTACTS FEMELLES 0.75 à 1 mm2 réf. AMP : 927779-1	44
	BD1	FUSE BOARD	CONNECTEUR MALE 15 VOIES : F 03407-50	CONTACTS 0.6 à 1.5 mm2 . M 03409-40	61
	BD2	FUSE BOARD	CONNECTEUR MALE 15 VOIES : F 03407-50	CONTACTS 0.6 à 1.5 mm2 . M 03409-40	61
	BD3	FUSE BOARD	CONNECTEUR MALE 15 VOIES : F 03407-50	CONTACTS 0.6 à 1.5 mm2 . M 03409-40	60
	BD4	FUSE BOARD	CONNECTEUR MALE 15 VOIES : F 03407-50	CONTACTS 0.6 à 1.5 mm2 . M 03409-40	62
	BD5	FUSE BOARD	CONNECTEUR MALE 15 VOIES : F 03407-50	CONTACTS 0.6 à 1.5 mm2 . M 03409-40	80
	BD6	REVERSE GEAR AUDIBLE ALARM	CONNECTEUR MALE 2 VOIES : C 12407-83	CONTACTS 2.5 mm2 . M 03409-40	49
	BD7	FUSE BOARD	CONNECTEUR MALE 15 VOIES : F 03407-50	CONTACTS 0.6 à 1.5 mm2 : L 03409-39	8
	BD8	FUSE BOARD	CONNECTEUR MALE 15 VOIES : F 03407-50	CONTACTS 0.6 à 1.5 mm2 : L 03409-39	8
	BD9	FUSE BOARD	CONNECTEUR MALE 15 VOIES : F 03407-50	CONTACTS 0.6 à 1.5 mm2 : L 03409-39	8
	BD10	FUSE BOARD	CONNECTEUR MALE 15 VOIES : F 03407-50	CONTACTS 0.6 à 1.5 mm2 . M 03409-40	18
	BD11	FUSE BOARD	CONNECTEUR MALE 15 VOIES : F 03407-50	CONTACTS 0.6 à 1.5 mm2 . M 03409-40	7
	BD12	FUSE BOARD	CONNECTEUR MALE 15 VOIES : F 03407-50	CONTACTS 0.6 à 1.5 mm2 . M 03409-40	7
	BD13	ANTI TIPPING SAFETY	CONNECTEUR EMBASE RELAIS réf. HELLA : 8JA 003 526-001	RELAYS INSTANTANE 1RT / L2641215	85
	BD14	ABS ACTIVED	CONNECTEUR EMBASE RELAIS : A 00407-10		24
	BD15	ZF DEFAULT DISABLE	CONNECTEUR EMBASE RELAIS : A 00407-10	RELAYS 1RT / L2641215	15
	BD16	WINDSCREEN WIPER TIMER	X		67
	BD17	FRONT WINDSCREEN WIPER	X		67
	BD18	PLATINE 16 MINI -RELAIS	CONNECTEUR MALE 15 VOIES : F 03407-50	CONTACTS 2.5 mm2 M 03409-40	9
	BD19	PLATINE 16 MINI -RELAIS	CONNECTEUR MALE 15 VOIES : F 03407-50	CONTACTS 2.5 mm2 M 03409-40	9
	BD20	PLATINE 16 MINI -RELAIS	CONNECTEUR MALE 15 VOIES : F 03407-50	CONTACTS 2.5 mm2 M 03409-40	9
	BD21	PLATINE 16 MINI -RELAIS	CONNECTEUR MALE 15 VOIES : F 03407-50	CONTACTS 2.5 mm2 M 03409-40	9
	BD22	PLATINE 16 MINI -RELAIS	CONNECTEUR MALE 15 VOIES : F 03407-50	CONTACTS 2.5 mm2 M 03409-40	9
	BD23	PLATINE 16 MINI -RELAIS	CONNECTEUR MALE 15 VOIES : F 03407-50	CONTACTS 2.5 mm2 M 03409-40	9
	BD24	PLATINE 16 MINI -RELAIS	CONNECTEUR MALE 15 VOIES : F 03407-50	CONTACTS 2.5 mm2 M 03409-40	10
	BD25	PLATINE 16 MINI -RELAIS	CONNECTEUR MALE 15 VOIES : F 03407-50	CONTACTS 2.5 mm2 M 03409-40	10
	BD26	PLATINE 16 MINI -RELAIS	CONNECTEUR MALE 15 VOIES : F 03407-50	CONTACTS 2.5 mm2 M 03409-40	10
	BD27	PLATINE 16 MINI -RELAIS	CONNECTEUR MALE 15 VOIES : F 03407-50	CONTACTS 2.5 mm2 M 03409-40	10
	BD28	PLATINE 16 MINI -RELAIS	CONNECTEUR MALE 15 VOIES : F 03407-50	CONTACTS 2.5 mm2 M 03409-40	10
	BD29	PLATINE 16 MINI -RELAIS	CONNECTEUR MALE 15 VOIES : F 03407-50	CONTACTS 2.5 mm2 M 03409-40	10
	BD30	PLATINE 16 MINI -RELAIS	CONNECTEUR MALE 15 VOIES : F 03407-50	CONTACTS 2.5 mm2 M 03409-40	10
	BD31	PLATINE 16 MINI -RELAIS	CONNECTEUR MALE 15 VOIES : F 03407-50	CONTACTS 2.5 mm2 M 03409-40	10
	BD32	PLATINE 16 MINI -RELAIS	CONNECTEUR MALE 15 VOIES : F 03407-50	CONTACTS 2.5 mm2 M 03409-40	10
	BD33	PLATINE 16 MINI -RELAIS	CONNECTEUR MALE 15 VOIES : F 03407-50	CONTACTS 2.5 mm2 M 03409-40	10
	BD34	PLATINE 16 MINI -RELAIS	CONNECTEUR MALE 15 VOIES : F 03407-50	CONTACTS 2.5 mm2 M 03409-40	10
	BD35	PLATINE 16 MINI -RELAIS	CONNECTEUR MALE 15 VOIES : F 03407-50	CONTACTS 2.5 mm2 M 03409-40	10
	BD36	PLATINE 16 MINI -RELAIS	CONNECTEUR MALE 15 VOIES : F 03407-50	CONTACTS 2.5 mm2 M 03409-40	10
	BD37	PLATINE 16 MINI -RELAIS	CONNECTEUR MALE 15 VOIES : F 03407-50	CONTACTS 2.5 mm2 M 03409-40	10
	BD38	PLATINE 16 MINI -RELAIS	CONNECTEUR MALE 15 VOIES : F 03407-50	CONTACTS 2.5 mm2 M 03409-40	10
	BD39	PLATINE 16 MINI -RELAIS	CONNECTEUR MALE 15 VOIES : F 03407-50	CONTACTS 2.5 mm2 M 03409-40	10
	BD40	PLATINE 16 MINI -RELAIS	CONNECTEUR MALE 15 VOIES : F 03407-50	CONTACTS 2.5 mm2 M 03409-40	10
	BD41	PLATINE 16 MINI -RELAIS	CONNECTEUR MALE 15 VOIES : F 03407-50	CONTACTS 2.5 mm2 M 03409-40	10
	BD42	PLATINE 16 MINI -RELAIS	CONNECTEUR MALE 15 VOIES : F 03407-50	CONTACTS 2.5 mm2 M 03409-40	10
	BD43	PLATINE 16 MINI -RELAIS	CONNECTEUR MALE 15 VOIES : F 03407-50	CONTACTS 2.5 mm2 M 03409-40	10
	BD44	PLATINE 16 MINI -RELAIS	CONNECTEUR MALE 15 VOIES : F 03407-50	CONTACTS 2.5 mm2 M 03409-40	10
	BD45	PLATINE 16 MINI -RELAIS	CONNECTEUR MALE 15 VOIES : F 03407-50	CONTACTS 2.5 mm2 M 03409-40	10
	BD46	PLATINE 16 MINI -RELAIS	CONNECTEUR MALE 15 VOIES : F 03407-50	CONTACTS 2.5 mm2 M 03409-40	10
	BD47	PLATINE 16 MINI -RELAIS	CONNECTEUR MALE 15 VOIES : F 03407-50	CONTACTS 2.5 mm2 M 03409-40	10
	BD48	PLATINE 16 MINI -RELAIS	CONNECTEUR MALE 15 VOIES : F 03407-50	CONTACTS 2.5 mm2 M 03409-40	10
	BD49	PLATINE 16 MINI -RELAIS	CONNECTEUR MALE 15 VOIES : F 03407-50	CONTACTS 2.5 mm2 M 03409-40	10
	BD50	PLATINE 16 MINI -RELAIS	CONNECTEUR MALE 15 VOIES : F 03407-50	CONTACTS 2.5 mm2 M 03409-40	10
	BD51	PLATINE 16 MINI -RELAIS	CONNECTEUR MALE 15 VOIES : F 03407-50	CONTACTS 2.5 mm2 M 03409-40	10
	BD52	PLATINE 16 MINI -RELAIS	CONNECTEUR MALE 15 VOIES : F 03407-50	CONTACTS 2.5 mm2 M 03409-40	10
	BD53	PLATINE 16 MINI -RELAIS	CONNECTEUR MALE 15 VOIES : F 03407-50	CONTACTS 2.5 mm2 M 03409-40	10
	BD54	PLATINE 16 MINI -RELAIS	CONNECTEUR MALE 15 VOIES : F 03407-50	CONTACTS 2.5 mm2 M 03409-40	10
	BD55	PLATINE 16 MINI -RELAIS	CONNECTEUR MALE 15 VOIES : F 03407-50	CONTACTS 2.5 mm2 M 03409-40	10
	BD56	PLATINE 16 MINI -RELAIS	CONNECTEUR MALE 15 VOIES : F 03407-50	CONTACTS 2.5 mm2 M 03409-40	10
	BD57	PLATINE 16 MINI -RELAIS	CONNECTEUR MALE 15 VOIES : F 03407-50	CONTACTS 2.5 mm2 M 03409-40	10
	BD58	PLATINE 16 MINI -RELAIS	CONNECTEUR MALE 15 VOIES : F 03407-50	CONTACTS 2.5 mm2 M 03409-40	10
	BD59	PLATINE 16 MINI -RELAIS	CONNECTEUR MALE 15 VOIES : F 03407-50	CONTACTS 2.5 mm2 M 03409-40	10
	BD60	PLATINE 16 MINI -RELAIS	CONNECTEUR MALE 15 VOIES : F 03407-50	CONTACTS 2.5 mm2 M 03409-40	10
	BOOM HEAD CONNECTING BOX		X		82
	LOGICAL RELAY	CONNECTEUR MALE 20 VOIES : J 63407-63	CLIPS FEMELLES Type MIC : Z 61409-30		80
	CAB LOOM CONNECTING	CONNECTEUR FEMELLE 20 VOIES : K 63407-64	CLIPS MALES Type MIC : A 61409-31		80
	REAR FOG LIGHT AUDIBLE ALARM	Ser'ir UNE cosse par FIL	CLIP FEMELLE 6.35 / 0.6 à 1 mm2 : K 03409-15	Recouvrir CHAQUE cosse d'un MANCHON THERMO	20

FOR OTHER INFORMATIONS REFER TO LOOM LAYOUT PAGES

	ETUDE : 1426	DOSSIER ELECTRIQUE MACHINE	AC4012 - AC402/L INDICE : B
	E.P.S. :	GENERAL ELECTRIC FILE	
	MACHINE : 251419 -->		
CE PLAN EST LA PROPRIETE DE TEREX L NE PEUT ETRE NI REPRODUIT, NI COMMUNIQUE SANS NOTRE AUTORSATION / THIS DRAWING IS THE PROPERTY OF TEREX IT IS NOT BE USED OR REPRODUCED WITHOUT OUR AUTHORIZATION		REFERENCES CONNECTIQUE HORS COMPOSANTS CONNECTORS PART NUMBER OUT OF COMPONENTS	Dessinateur : B.C. Date : 16/10/2006 Verificateur : R.P. Date : 17/12/2007
		REAR FOG LIGHT AUDIBLE ALARM	Page : 175

CONNECTORS PART NUMBER OUT OF COMPONENTS

ITEM	FUNCTION	CONNECTOR	TERMINALS AND SPLICES	TERMINALS AND SPLICES	PAGE
A					
BVA	30 LIGHTS BOARD	CONNECTEUR MALE 16 VOIES réf. MOLEX : 39-01-2160	CONTACTS FEMELLES 0.2 à 0.82 mm2 réf. MOLEX : 39-00-0039		17
BVB	30 LIGHTS BOARD	CONNECTEUR MALE 18 VOIES réf. MOLEX : 39-01-2180	CONTACTS FEMELLES 0.2 à 0.82 mm2 réf. MOLEX : 39-00-0039		4
BVC	30 LIGHTS BOARD	CONNECTEUR MALE 24 VOIES réf. MOLEX : 39-01-2240	CONTACTS FEMELLES 0.2 à 0.82 mm2 réf. MOLEX : 39-00-0039		13
BVD	RED FUEL INDICATOR	Serjir UNE cosse par FIL	CLIP FEMELLE 6.35 / 0.6 à 1 mm2 : K 03409-15	Recouvrir CHAQUE cosse d'un MANCHON THERMO	39
BV50A	8 LIGHTS PANEL	CONNECTEUR 8 VOIES : Z 12407-80	CONTACTS : C 03409-77		64
BV50B	8 LIGHTS PANEL	CONNECTEUR 8 VOIES : Z 12407-80	CONTACTS C 03409-77		77
BV51A	8 LIGHTS PANEL	CONNECTEUR 8 VOIES : Z 12407-80	CONTACTS C 03409-77		63
BV51B	8 LIGHTS PANEL	CONNECTEUR 8 VOIES : Z 12407-80	CONTACTS C 03409-77		77
BX1	ENGINE ELECTRONIC UNIT	CONNECTEUR 16 VOIES : E 61407-97	CONTACTS : P 61409-21		4
BX1.	L.M.I. PANEL	CONNECTEUR 24 VOIES : S 61407-17	CONTACTS 0.32 à 0.5 mm2 : L 03409-85	CONTACTS 0.75 à 1.5 mm2 : M 03409-86	73
BX1.	CAB LOOM CONNECTING	CONNECTEUR FEMELLE 24 VOIES réf. WEIDMÜLLER:141810	CONTACTS MALES réf. WEIDMÜLLER : 142460		73
BX2	L.M.I. PANEL	CONNECTEUR 24 VOIES : S 61407-17	CONTACTS 0.32 à 0.5 mm2 : L 03409-85	CONTACTS 0.75 à 1.5 mm2 : M 03409-86	82
BX2	RACCORDEMENT SUR FAISCEAU CEC	CONNECTEUR FEMELLE 24 VOIES réf. WEIDMÜLLER:141810	CONTACTS MALES réf. WEIDMÜLLER : 142460		86
BX3	386 ELECTRONIC UNIT	CONNECTEUR FEMELLE 56 VOIES réf. FCI 211PC562S0008	CONTACTS réf. FCI SICMA-2-1 5MM FEMALE TERMINALS		85
BX4	CONSOLE HEAD		CONNECTEUR 4 VOIES réf. 386 CV ATG96-11XX		85
BX5	CONSOLE HEAD		CONNECTEUR 6 VOIES réf. 386 CV ATG77-21XX		85
BX6	120 OHMS RESISTOR	CONNECTEUR MALE 3 VOIES réf. DEUTSCH : DT06-3S-A1009	CONTACTS FEMELLES 1 mm2 réf. DEUTSCH : 0462-201-16141	CALE DE VERROUILLAGE BLEUE réf. DEUTSCH : W3S-1939	85
BX7	120 OHMS RESISTOR	CONNECTEUR MALE 3 VOIES réf. DEUTSCH : DT06-3S-A1009	CONTACTS FEMELLES 1 mm2 réf. DEUTSCH : 0462-201-16141	CALE DE VERROUILLAGE BLEUE réf. DEUTSCH : W3S-1939	85
BX10A	LOGICAL RELAY	CONNECTEUR MALE 36 VOIES réf. AMP : 207019-1	CONTACTS FEMELLES 0.2 à 0.6 mm2 réf. AMP : 163088-1		45
BX10A.	CAB LOOM CONNECTING	CONNECTEUR FEMELLE 36 VOIES réf. AMP : 207020-1	CONTACTS MALES 0.2 à 0.6 mm2 réf. AMP : 163086-1		45
BX10B	LOGICAL RELAY	CONNECTEUR MALE 18 VOIES réf. AMP : 207442-1	CONTACTS FEMELLES 0.2 à 0.6 mm2 réf. AMP : 163088-1		45
BX10B.	CAB LOOM CONNECTING	CONNECTEUR FEMELLE 18 VOIES réf. AMP 207443-1	CONTACTS MALES 0.2 à 0.6 mm2 réf. AMP : 163086-1		45
BX11A	LOGICAL RELAY	CONNECTEUR MALE 36 VOIES réf. AMP 207019-1	CONTACTS FEMELLES 0.2 à 0.6 mm2 réf. AMP 163088-1		46
BX11A.	CAB LOOM CONNECTING	CONNECTEUR FEMELLE 36 VOIES réf. AMP 207020-1	CONTACTS MALES 0.2 à 0.6 mm2 réf. AMP : 163086-1		46
BX11B	LOGICAL RELAY	CONNECTEUR MALE 18 VOIES réf. AMP : 207442-1	CONTACTS FEMELLES 0.2 à 0.6 mm2 réf. AMP : 163088-1		46
BX11B.	CAB LOOM CONNECTING	CONNECTEUR FEMELLE 18 VOIES réf. AMP : 207443-1	CONTACTS MALES 0.2 à 0.6 mm2 réf. AMP : 163086-1		46
BX12A	LOGICAL RELAY	CONNECTEUR MALE 36 VOIES réf. AMP : 207019-1	CONTACTS FEMELLES 0.2 à 0.6 mm2 réf. AMP : 163088-1		47
BX12A.	CAB LOOM CONNECTING	CONNECTEUR FEMELLE 36 VOIES réf. AMP : 207020-1	CONTACTS MALES 0.2 à 0.6 mm2 réf. AMP : 163086-1		47
BX12B	LOGICAL RELAY	CONNECTEUR MALE 18 VOIES réf. AMP : 207442-1	CONTACTS FEMELLES 0.2 à 0.6 mm2 réf. AMP : 163088-1		47
BX12B.	CAB LOOM CONNECTING	CONNECTEUR FEMELLE 18 VOIES réf. AMP 207443-1	CONTACTS MALES 0.2 à 0.6 mm2 réf. AMP : 163086-1		47
BX13	TACHOMETER / HOURMETER	CONNECTEUR MALE 4 VOIES réf. AMP : 172167-1	CONTACT FEMELLE 0.3 à 0.89 mm2 réf. AMP : 170366-1		13
BX15	CAB-ENGINE CONNECTION	CONNECTEUR MALE 15 VOIES : F 03407-50	CONTACTS 0.6 à 1.5 mm2 : N 03409-39		11
BX15.	CAB-ENGINE CONNECTION	CONNECTEUR FEMELLE 15 VOIES : G 03407-51	CONTACTS 0.6 à 1.5 mm2 : N 03409-41		11
BX19	BLINKERS UNIT	CONNECTEUR 8 VOIES : L 03407-55	CLIP FEMELLE 6.35 A VERROU : V 03409-48		17
BX20	SPEEDOMETER	CONNECTEUR 26 VOIES réf. AMP : 927690-1	CONTACTS FEMELLES 0.2 à 0.56 mm2 réf. AMP : 167418-1		12
BX35	IGNITION-STARTING SWITCH	CONNECTEUR 6 VOIES BLEU réf. AMP : 1-965640-1	CONTACTS 0.5 à 1 mm2 Junior Power Timer réf. AMP : 927775	CALE DE VERROUILLAGE 6 VOIES réf. AMP : 968271-1	5
B42	ROOF CAB FUNCTIONS	CONNECTEUR MALE 15 VOIES : F 03407-50	CONTACTS 0.6 à 1.5 mm2 : L 03409-39	CONTACTS 2.5 mm2 : M 03409-40	35
B42	ROOF CAB FUNCTIONS	CONNECTEUR FEMELLE 15 VOIES : G 03407-51	CONTACTS 0.6 à 1.5 mm2 : N 03409-41	CONTACTS 2.5 mm2 : P 03409-42	35
B52	TACHOMETER / HOURMETER	CONNECTEUR MALE 6 VOIES réf. AMP : 172168-1	CONTACT FEMELLE 0.3 à 0.89 mm2 réf. AMP : 170366-1		13
B54	FUEL GAUGE		CONNECTEUR MALE 6 VOIES réf. AMP 172168-1	CONTACT FEMELLE 0.3 à 0.89 mm2 réf. AMP : 170366-1	13
B68	CONVERTER OIL TEMPERATURE	CONNECTEUR MALE 2 VOIES : R 03407-83	CLIP FEMELLE 6.35 A VERROU : V 03409-48		13
B94	TRANSMISSION CONTROL	CONNECTEUR MALE 12 VOIES : S 03407-61	CONTACTS 0.6 à 1.5 mm2 : L 03409-39		63
B95	X	CONNECTEUR MALE 15 VOIES : F 03407-50	CONTACTS 0.6 à 1.5 mm2 : L 03409-39	CONTACTS 2.5 mm2 : M 03409-40	67
B95	X	CONNECTEUR FEMELLE 15 VOIES : G 03407-51	CONTACTS 0.6 à 1.5 mm2 : N 03409-41	CONTACTS 2.5 mm2 : P 03409-42	67
B104	HEATER	CONNECTEUR MALE 2 VOIES : L 03407-78	CLIP FEMELLE 6.35 A VERROU : V 03409-48		69
B123	ROOF WINDSCREEN WIPER	CONNECTEUR MALE 4 VOIES : M 03407-79	CLIP FEMELLE 6.35 A VERROU : V 03409-48		67
B125	TURRET GENERAL WARNING		CLIP FEMELLE 6.35 / 0.6 à 1 mm2 : K 03409-15		63
B126	X	CONNECTEUR MALE 4 VOIES M 03407-79	CLIP FEMELLE 6.35 A VERROU : V 03409-48		68
B126.	X		x		68
B128	X	CONNECTEUR MALE 15 VOIES : F 03407-50	CONTACTS 0.6 à 1.5 mm2 : L 03409-39		77

FOR OTHER INFORMATIONS REFER TO LOOM LAYOUT PAGES

 CR 108332	ETUDE : 1426	DOSSIER ELECTRIQUE MACHINE	AC4012 - AC402/L INDICE : B
	E.P.S. :	GENERAL ELECTRIC FILE	
	MACHINE : 251419 -->		
CE PLAN EST LA PROPRIETE DE TEREX L NE PEUT ETRE NI REPRODUIT, NI COMMUNIQUE SANS NOTRE AUTORISATION / THIS DRAWING IS THE PROPERTY OF TEREX IT IS NOT BE USED OR REPRODUCED WITHOUT OUR AUTHORIZATION		REFERENCES CONNECTIQUE HORS COMPOSANTS	Dessinateur : B.C. Date : 16/10/2006 Vérificateur : R.P. Date : 17/12/2007
		CONNECTORS PART NUMBER OUT OF COMPONENTS	
			PAGE : 176

CONNECTORS PART NUMBER OUT OF COMPONENTS

ITEM	FUNCTION	CONNECTOR	TERMINALS AND SPLICES	TERMINALS AND SPLICES	PAGE
B128.	X	CONNECTEUR FEMELLE 15 VOIES : G 03407-51	CONTACTS 0.6 Ø 1.5 mm2 · N 03409-41		77
B131	24V/12V CONVERTER	CONNECTEUR MALE 2 VOIES : R 03407-83	CLIP FEMELLE 6.35 A VERROU : V 03409-48		68
B132	24V/12V CONVERTER	CONNECTEUR FEMELLE 2 VOIES : T 12407-06	CLIP MALE 6.3 A VERROU : G 03409-35		68
B133	CELLING LIGHT	CONNECTEUR MALE 2 VOIES : R 03407-83	CLIP FEMELLE 6.35 A VERROU : V 03409-48		68
B134	X		X		67
B134.	X		X		67
B134A	FRONT WINDSCREEN WIPER				67
B135	FRONT PANEL CONTROL	CONNECTEUR MALE 15 VOIES : F 03407-50	CONTACTS 0.6 Ø 1.5 mm2 L 03409-39	CONTACTS 2.5 mm2 M 03409-40	62
B135.	FRONT PANEL CONTROL	CONNECTEUR FEMELLE 15 VOIES : G 03407-51	CONTACTS 0.6 Ø 1.5 mm2 · N 03409-41	CONTACTS 2.5 mm2 · P 03409-42	62
B138	RADIO	CONNECTEUR MALE 15 VOIES : F 03407-50	CONTACTS 0.6 Ø 1.5 mm2 : L 03409-39		68
B143	24V/12V CONVERTER	CONNECTEUR MALE 2 VOIES : R 03407-83	CLIP FEMELLE 6.35 A VERROU : V 03409-48		12
B144	24V/12V CONVERTER	CONNECTEUR FEMELLE 2 VOIES : T 12407-06	CLIP MALE 6.3 A VERROU : G 03409-35		12
B153	24V/12V CONVERTER	CONNECTEUR MALE 2 VOIES : R 03407-83	CLIP FEMELLE 6.35 A VERROU : V 03409-48		35
B154	24V/12V CONVERTER	CONNECTEUR FEMELLE 2 VOIES T 12407-06	CLIP MALE 6.3 A VERROU G 03409-35		35
B182	CIRCUIT 2 STEERING FLOW	CONNECTEUR MALE 2 VOIES C 12407-83	CONTACTS FEMELLES 1 mm2 : A 12407-35	CONTACTS MALES 2.8 mm / 1.5 Ø 2.5 mm2 AMP 928781-1	13
B185	RETARDER CONTROL	CONNECTEUR 8 VOIES réf. RVI : 5010214497	CONTACTS MALES 2.8 mm / 0.5 Ø 1 mm2 T 61409-25	CONTACTS FEMELLES 1 Ø 2.5 mm2 réf. AMP · 927777-6	27
B186	LIGHTING SWITCH	CONNECTEUR 6 VOIES réf. RVI : 7703197575	CONTACTS · 0 61409-22	CONTACTS FEMELLES 1 Ø 2.5 mm2 réf. AMP · 927777-6	17
B187	LIGHTING SWITCH	CONNECTEUR 10 VOIES réf. RVI : 7703197576	CONTACTS · 0 61409-22		18
B188	WINDSCREEN WIPER SWITCH	CONNECTEUR 14 VOIES réf. RVI : 7703197577	CONTACTS : 0 61409-22		35
B189	WINDSCREEN WIPER TIMER	CONNECTEUR 8 VOIES : L 03407-55	CLIP FEMELLE 6.35 A VERROU : V 03409-48		35
B195	WINDSCREEN WIPER	CONNECTEUR 6 VOIES : S 00407-49	CLIP FEMELLE 6.35 A VERROU : V 03409-48		35
B197	CAB FAN	CONNECTEUR MALE 2 VOIES L 03407-78	CLIP FEMELLE 6.35 A VERROU : V 03409-48		68
B198	HYDRAULIC OIL COOLER	CONNECTEUR MALE 2 VOIES L 03407-78	CLIP FEMELLE 6.35 A VERROU : V 03409-48		71
B199	L.M.I. OVERRIDE	CONNECTEUR MALE 9 VOIES Q 12407-03	CONTACTS 0.6 Ø 1.5 mm2 L 03409-39		74
B200	L.M.I. OVERRIDE	CONNECTEUR FEMELLE 9 VOIES · U 03407-63	CONTACTS 0.6 Ø 1.5 mm2 · N 03409-41		74
B270	LEVEL DISPLAY	CONNECTEUR 10 VOIES réf. MOLEX : 39-01-2105	CONTACTS 0.2 Ø 0.5 mm2 réf. MOLEX : 39-00-0038		74
B271	LEVEL DISPLAY	CONNECTEUR 4 VOIES réf. MOLEX : 39-01-2045	CONTACTS 0.2 Ø 0.5 mm2 réf. MOLEX : 39-00-0038		74
B271	CAB LOOM CONNECTING	CONNECTEUR 4 VOIES réf. MOLEX : 39-01-3049	CONTACTS MALES 0.2 Ø 0.5 mm2 réf. MOLEX : 39-00-0040		74
B280	CAB-FUEL SELECTION BOX CONNECTION	CONNECTEUR MALE 15 VOIES : F 03407-50	CONTACTS 0.6 Ø 1.5 mm2 L 03409-39	CONTACTS 2.5 mm2 · M 03409-40	39
B280	CAB-FUEL SELECTION BOX CONNECTION	CONNECTEUR FEMELLE 15 VOIES : G 03407-51	CONTACTS 0.6 Ø 1.5 mm2 · N 03409-41	CONTACTS 2.5 mm2 P 03409-42	39
B281	MANUAL THROTTLE SWITCH	CONNECTEUR 10 VOIES : W 63407-06	CLIP FEMELLE 6.35 A VERROU : V 03409-48		28
B281	MANUAL THROTTLE SWITCH	CONNECTEUR 8 VOIES R 61407-85	CLIP FEMELLE 6.35 A VERROU : V 03409-48		63
B281	DISTRIBUTOR CONNECTOR CONNECTING	CONNECTEUR MALE 12 VOIES réf. DEUTSCH : DT06-125B	CONTACTS FEMELLES 1 mm2 : A 12407-35		48
B282	DISTRIBUTOR CONNECTOR CONNECTING	CONNECTEUR MALE 6 VOIES · J 12407-89	CONTACTS FEMELLES 1 mm2 : A 12407-35		48
B283	120 OHMS RESISTOR	CONNECTEUR MALE 3 VOIES : E 12407-85	CONTACTS FEMELLES 1 mm2 : A 12407-35	CALE DE VERROUILLAGE BLEUE J1939 : B 67414-85	48
B284	120 OHMS RESISTOR	CONNECTEUR MALE 3 VOIES : E 12407-85	CONTACTS FEMELLES 1 mm2 : A 12407-35	CALE DE VERROUILLAGE BLEUE J1939 : B 67414-85	48
B285	RIGHT REAR SUSPENSION SWITCH	CONNECTEUR 10 VOIES : W 63407-06	CLIP FEMELLE 6.35 A VERROU : V 03409-48		41
B285	LEFT REAR SUSPENSION SWITCH	CONNECTEUR 10 VOIES : W 63407-06	CLIP FEMELLE 6.35 A VERROU : V 03409-48		41
B286	AUTOMATIC SUSPENSION LEVEL SWITCH	CONNECTEUR 10 VOIES : W 63407-06	CLIP FEMELLE 6.35 A VERROU : V 03409-48		41
B287	RIGHT FRONT SUSPENSION SWITCH	CONNECTEUR 10 VOIES : W 63407-06	CLIP FEMELLE 6.35 A VERROU : V 03409-48		41
B287	LEFT FRONT SUSPENSION SWITCH	CONNECTEUR 10 VOIES : W 63407-06	CLIP FEMELLE 6.35 A VERROU : V 03409-48		41
B288	IGNITION-STARTING SWITCH		X		62
B289	REAR STEERING RELEASING SWITCH	CONNECTEUR 10 VOIES : W 63407-06	CLIP FEMELLE 6.35 A VERROU : V 03409-48		65
B289	REAR STEERING RELEASING SWITCH	CONNECTEUR 10 VOIES : W 63407-06	CLIP FEMELLE 6.35 A VERROU : V 03409-48		25
B290	REAR STEERING RELEASING SWITCH	CONNECTEUR 10 VOIES : W 63407-06	CLIP FEMELLE 6.35 A VERROU : V 03409-48		68
B291	WINDSCREEN WASHER SWITCH	CONNECTEUR 10 VOIES : W 63407-06	CLIP FEMELLE 6.35 A VERROU : V 03409-48		68
B292	UP AND DOWN CW SWITCH	CONNECTEUR 10 VOIES : W 63407-06	CLIP FEMELLE 6.35 A VERROU : V 03409-48		72

FOR OTHER INFORMATION REFER TO LOOM LAYOUT PAGES

	ETUDE : 1426	DOSSIER ELECTRIQUE MACHINE	AC4012 - AC40/2L	INDICE : B
	E.P.S. :	GENERAL ELECTRIC FILE	Dessinateur : B.C.	Date : 16/10/2006
	MACHINE : 251419 -->	CE PLAN EST LA PROPRIETE DE TEREX L NE PEUT ETRE REPRODUIT, NI COMMUNIQUE SANS NOTRE AUTORISATION / THIS DRAWING IS THE PROPERTY OF TEREX IT IS NOT BE USED OR REPRODUCED WITHOUT OUR AUTHORIZATION	REFERENCES CONNECTIQUE HORS COMPOSANTS CONNECTORS PART NUMBER OUT OF COMPONENTS	Vérificateur : R.P.
CR 108332				PAGE : 177

CONNECTORS PART NUMBER OUT OF COMPONENTS

ITEM	FUNCTION	CONNECTOR	TERMINALS AND SPLICES	TERMINALS AND SPLICES	PAGE
A	ADJUSTABLE MIRRORS SWITCH	CONNECTEUR 10 VOIES réf. AMP · 929504-4	CONTACTS · L 61409-18		40
	RIGHT REAR OUTRIGGER SWITCH	CONNECTEUR 8 VOIES : R 61407-85	CLIP FEMELLE 6.35 A VERROU : V 03409-48		66
	LEFT REAR OUTRIGGER SWITCH	CONNECTEUR 8 VOIES : R 61407-85	CLIP FEMELLE 6.35 A VERROU : V 03409-48		66
	FRONT AXLE LOCKING SWITCH	CONNECTEUR 10 VOIES : W 63407-06	CLIP FEMELLE 6.35 A VERROU : V 03409-48		64
	FRONT AXLE LOCKING SWITCH	CONNECTEUR 10 VOIES : W 63407-06	CLIP FEMELLE 6.35 A VERROU : V 03409-48		22
	RIGHT FRONT OUTRIGGER SWITCH	CONNECTEUR 8 VOIES R 61407-85	CLIP FEMELLE 6.35 A VERROU : V 03409-48		66
	LEFT FRONT OUTRIGGER SWITCH	CONNECTEUR 8 VOIES R 61407-85	CLIP FEMELLE 6.35 A VERROU : V 03409-48		66
	CONTACTEUR POIRES / PATINS	CONNECTEUR 8 VOIES R 61407-85	CLIP FEMELLE 6.35 A VERROU : V 03409-48		66
	REAR SUSPENSION LOCKING SWITCH	CONNECTEUR 10 VOIES : W 63407-06	CLIP FEMELLE 6.35 A VERROU : V 03409-48		64
	FRONT SUSPENSION LOCKING SWITCH	CONNECTEUR 10 VOIES : W 63407-06	CLIP FEMELLE 6.35 A VERROU : V 03409-48		64
	CARRIER / TURRET SELECTION SWITCH	CONNECTEUR 10 VOIES : W 63407-06	CLIP FEMELLE 6.35 A VERROU : V 03409-48		37
	SUSPENSION LOCKING SWITCH	CONNECTEUR 10 VOIES : W 63407-06	CLIP FEMELLE 6.35 A VERROU : V 03409-48		21
	CW LOCK / RELEASING SWITCH	CONNECTEUR 10 VOIES : W 63407-06	CLIP FEMELLE 6.35 A VERROU : V 03409-48		72
	MERCEDES DIAGNOSTIC PLUG	CONNECTEUR 14 VOIES : G 61407-99	CONTACTS · S 61409-24		4
	INTER-WHEELS DIFFERENTIAL				4
	FRONT AXLE LOCKING				23
	REAR STEERING RELEASING				22
	REAR STEERING LOCKING				25
	FRONT AXLE RELEASING				25
	TURRET AIR POWER				22
	LEFT REAR STEERING				37
	RIGHT REAR STEERING				25
	CHOKE				14
	AUXILIARY WINCH				77
	AUXILIARY WINCH				77
	SECTION 2 TELESCOPE RETRACTION				79
	SECTION 3 AND 4 TELESCOPE RETRACTION				87
	SECTION 3 AND 4 TELESCOPE RETRACTION				87
	CW DOWN				38
	CW UP				38
	COUNTERWEIGHT LOCKING				72
	COUNTERWEIGHT RELEASING				72
	ROTATION BRAKE RELEASING				77
	ROTATION LOCKING				77
	ROTATION RELEASING				77
	FRONT LEFT PAD OUT				31
	FRONT LEFT PAD IN				31
	FRONT RIGHT PAD OUT				31
	FRONT RIGHT PAD IN				31
	REAR LEFT PAD OUT				31
	REAR LEFT PAD IN				31
	REAR RIGHT PAD OUT				31
	REAR RIGHT PAD IN				31
	TURRET ROTATION FLOW				38
	RIGHT REAR FOG LIGHT	CONNECTEUR 2 VOIES	X		49
	LEFT REAR FOG LIGHT	CONNECTEUR 2 VOIES	X		49
	RIGHT REAR BLINKER	CONNECTEUR 2 VOIES	X		49
	LEFT REAR BLINKER	CONNECTEUR 2 VOIES	X		49
	RIGHT OVERSIZE LIGHT	Ser'fir UNE cosse par FIL	CLIP FEMELLE 6.35 / 0.6 à 1 mm2 : K 03409-15	Recouvrir CHAQUE cosse d'un MANCHON THERMO	49

FOR OTHER INFORMATIONS REFER TO LOOM LAYOUT PAGES

 CR 108332	ETUDE · 1426 E.P.S.: MACHINE : 251419 -->	DOSSIER ELECTRIQUE MACHINE GENERAL ELECTRIC FILE	AC4012 - AC40/2L Dessinateur : B.C. Vérificateur : R.P.	INDICE : B PAGE : 178
	REFERENCES CONNECTIQUE HORS COMPOSANTS CONNECTORS PART NUMBER OUT OF COMPONENTS			Date : 16/10/2006 Date : 17/12/2007
	CE PLAN EST LA PROPRIETE DE TEREX L NE PEUT ETRE NI REPRODUIT, NI COMMUNIQUE SANS NOTRE AUTORISATION / THIS DRAWING IS THE PROPERTY OF TEREX IT IS NOT BE USED OR REPRODUCED WITHOUT OUR AUTHORIZATION			

CONNECTORS PART NUMBER OUT OF COMPONENTS

ITEM	FUNCTION	CONNECTOR	TERMINALS AND SPLICES	TERMINALS AND SPLICES	PAGE
FF6	LEFT OVERSIZE LIGHT	Serlir UNE cosse par FIL	CLIP FEMELLE 6.35 / 0.6 à 1 mm2 : K 03409-15	Recouvrir CHAQUE cosse d'un MANCHON THERMO	49
FF61	THROTTLE PEDAL	CONNECTEUR 9 VOIES : F 61407-98	CONTACTS : R 61409-23		11
FF62	THROTTLE PEDAL	CONNECTEUR MALE 6 VOIES : J 12407-89	CONTACTS FEMELLES 1 mm2 : A 12407-35		63
FID	RIGHT LICENCE PLATE LIGHT	Serlir UNE cosse par FIL	CLIP FEMELLE 6.35 / 0.6 à 1 mm2 : K 03409-15		49
FIG	LEFT LICENCE PLATE LIGHT	Serlir UNE cosse par FIL	CLIP FEMELLE 6.35 / 0.6 à 1 mm2 : K 03409-15		49
FL	8M FLYJIB LOOM CONNECTING		X		91
FL.	X		X		91
FLC	FREE WIRES CONNECTION	CONNECTEUR MALE 18 VOIES réf. AMP 207442-1	CONTACTS FEMELLES 0.2 à 0.6 mm2 réf. AMP 163088-1		85
FLD	RIGHT LATERAL PARKING LIGHT	CONNECTEUR MALE 2 VOIES : C 12407-83	CONTACTS FEMELLES 1 mm2 : A 12407-35		49
FILE4	CAB LOOM CONNECTING	CONNECTEUR FEMELLE 20 VOIES réf. AMP : 0-142179-1	CLIPS MALES type MIC réf. AMP : C142315-1		87
FILE5	CAB LOOM CONNECTING	CONNECTEUR FEMELLE 20 VOIES réf. AMP : 0-142179-1	CLIPS MALES type MIC réf. AMP : C142315-1		89
FLG	LEFT LATERAL PARKING LIGHT	CONNECTEUR MALE 2 VOIES : C 12407-83	CONTACTS FEMELLES 1 mm2 : A 12407-35		49
FL1	RACCORDEMENT SUR JIB	Câble coupé NET	PRISE DE COURANT 7 POLES : N 00407-45		91
FL1	8M FLYJIB LOOM CONNECTING		FICHE 7 POLES : P 00407-46		91
FL2	FLYJIB ANTI TWO BLOCK SENSOR	Câble coupé NET	PRISE DE COURANT 7 POLES N 00407-45		91
FL2.	FLYJIB ANTI TWO BLOCK SENSOR		FICHE 7 POLES : P 00407-46		91
FFSD	RIGHT STOP/LATERAL PARKING LIGHT	CONNECTEUR 3 VOIES	X		49
FFSG	LEFT STOP/LATERAL PARKING LIGHT	CONNECTEUR 3 VOIES	X		49
FFSD	RIGHT REVERSE LIGHT	CONNECTEUR 2 VOIES	X		49
FFSG	LEFT REVERSE LIGHT	CONNECTEUR 2 VOIES	X		49
FFABS	ABS OFF ROAD SELECTION SWITCH	CONNECTEUR 10 VOIES : W 63407-06	CLIP FEMELLE 6.35 A VERROU : V 03409-48		24
FFOR	HAZARD SWITCH	CONNECTEUR 11 VOIES : D 63407-12	CLIP FEMELLE 6.35 A VERROU : V 03409-48		17
FFOR	ROTATION BRAKE RELEASING SWITCH	CONNECTEUR 10 VOIES : W 63407-06	CLIP FEMELLE 6.35 A VERROU : V 03409-48		77
FFWAG	FRONT WINDSCREEN WIPER SWITCH	CONNECTEUR 10 VOIES : W 63407-06	CLIP FEMELLE 6.35 A VERROU : V 03409-48		67
FFWGT	ROOF WINDSCREEN WIPER SWITCH	CONNECTEUR 10 VOIES : W 63407-06	CLIP FEMELLE 6.35 A VERROU : V 03409-48		67
FFIRO	ROTATING BEACON SWITCH	CONNECTEUR 10 VOIES : W 63407-06	CLIP FEMELLE 6.35 A VERROU : V 03409-48		36
FFIRT	WORKING LIGHT SWITCH	CONNECTEUR 10 VOIES : W 63407-06	CLIP FEMELLE 6.35 A VERROU : V 03409-48		67
FFIRD	MIRROR DEFROST SWITCH	CONNECTEUR 10 VOIES : W 63407-06	CLIP FEMELLE 6.35 A VERROU : V 03409-48		40
FFSG	FUEL SELECTION SWITCH	CONNECTEUR 10 VOIES : W 63407-06	CLIP FEMELLE 6.35 A VERROU : V 03409-48		39
FFSTA	OUTRIGGERS SWITCH	CONNECTEUR 10 VOIES : W 63407-06	CLIP FEMELLE 6.35 A VERROU : V 03409-48		28
FFSTA	OUTRIGGERS SWITCH	CONNECTEUR 10 VOIES : W 63407-06	CLIP FEMELLE 6.35 A VERROU : V 03409-48		62
FFFL	AUXILIARY WINCH SELECTION SWITCH	CONNECTEUR 10 VOIES : W 63407-06	CLIP FEMELLE 6.35 A VERROU : V 03409-48		77
FFOR	ROTATION LOCK / RELEASE SWITCH	CONNECTEUR 10 VOIES : W 63407-06	CLIP FEMELLE 6.35 A VERROU : V 03409-48		68
JBCC	JUNCTION BOITERS COMMANDE ET COMPACT	CONNECTEUR 6 VOIES : T 00407-50	CLIP MALE 6.3 A VERROU : G 03409-35		77
M2	TELESCOPAGE FLECHE 5 ELEMENTS		CABLE ELECTRO DIN A : U 12407-76		39
M2	TELESCOPAGE FLECHE 5 ELEMENTS		CABLE ELECTRO DIN A : U 12407-76		80
M3	TELESCOPAGE FLECHE 5 ELEMENTS		CABLE ELECTRO DIN A : U 12407-76		89
M5	CAB GROUND		COSSE DIA 10 / 42 à 60 mm2 : T 00409-34		60
M5.	TELESCOPAGE FLECHE 5 ELEMENTS		CABLE ELECTRO DIN A : U 12407-76		80
M5.	TELESCOPAGE FLECHE 5 ELEMENTS		CABLE ELECTRO DIN A : U 12407-76		89
M6	TELESCOPAGE FLECHE 5 ELEMENTS		CABLE ELECTRO DIN A : U 12407-76		80
M6	TELESCOPAGE FLECHE 5 ELEMENTS		CABLE ELECTRO DIN A : U 12407-76		89
M7	TELESCOPAGE FLECHE 5 ELEMENTS		CABLE ELECTRO DIN A : U 12407-76		80
M7	TELESCOPAGE FLECHE 5 ELEMENTS		CABLE ELECTRO DIN A : U 12407-76		89
M10	TURRET GROUND		COSSE DIA 10 / 25 à 35 mm2 :		60
M15	CAB GROUND	Serlir UNE SEULE cosse	COSSE DIA 10 / 60 à 76 mm2		60
M20	BATTERIES GROUND		COSSE DIA 10 / 10 à 16 mm2 :		4
PA	ANEMOMETER SENSOR	Câble coupé NET	PRISE DE COURANT 7 POLES réf. HELLA : 8JB 001 941-002		91

FOR OTHER INFORMATIONS REFER TO LOOM LAYOUT PAGES

 CR 108332	ETUDE : 1426 E.P.S. : MACHINE : 251419 -->	DOSSIER ELECTRIQUE MACHINE GENERAL ELECTRIC FILE	REFERENCES CONNECTIQUE HORS COMPOSANTS CONNECTORS PART NUMBER OUT OF COMPONENTS	AC4012 - AC40/2L Dessinateur : B.C. Vérificateur : R.P.	INDICE : B Date : 16/10/2006 Date : 17/12/2007
	CE PLAN EST LA PROPRIETE DE TEREX L NE PEUT ETRE NI REPRODUIT, NI COMMUNIQUE SANS NOTRE AUTORISATION / THIS DRAWING IS THE PROPERTY OF TEREX IT IS NOT BE USED OR REPRODUCED WITHOUT OUR AUTHORIZATION			Page : 179	

CONNECTORS PART NUMBER OUT OF COMPONENTS

ITEM	FUNCTION	CONNECTOR	TERMINALS AND SPLICES	TERMINALS AND SPLICES	PAGE
PA.	BOOM LOOM CONNECTING		FIGE 7 POLES réf. HELLA · 8JA 001 918-002		91
PABS	ABS DIAGNOSTIC PLUG	CONNECTEUR EMBASE 16 VOIES réf. AMP : 182916-1	CONTACTS MALES réf. AMP : 164839-1	SERRE-CABLE réf. AMP : 206070-1	24
PABS	CAB-ABS TRAILOR PLUG CONNECTION	CONNECTEUR MALE 12 VOIES : C 61407-03	CONTACTS FEMELLES 1 mm2 : A 12407-35	CONTACTS FEMELLES 1.5 mm2 :	24
PABS.	CAB-ABS TRAILOR PLUG CONNECTION	CONNECTEUR FEMELLE 12 VOIES : D 61407-04	CONTACTS MALES 1.5 mm2 :		24
PA1	ANEMOMETER SENSOR	Câble coupé NET	PRISE DE COURANT 7 POLES réf HELLA · 8JB 001 941-002		91
PA1L	FRONT LEFT WHEEL ABS SENSOR		CABLE CAPTEUR ABS 12M : T 75522-97		24
PA1R	FRONT RIGHT WHEEL ABS SENSOR		CABLE CAPTEUR ABS 12M : T 75522-97		24
PA2L	REAR LEFT WHEEL ABS SENSOR		CABLE CAPTEUR ABS 12M : T 75522-97		24
PA2R	REAR RIGHT WHEEL ABS SENSOR		CABLE CAPTEUR ABS 12M : T 75522-97		24
PB	POIGNÉE VIBRANTE		WIRES WITHOUT PROTECTION		85
PB.	CAB LOOM CONNECTING		X		85
PBSG	FUEL TYPE SELECTION BOX		CABLE BI-CARBURANT / Lgr. 9m réf GARLOUIS : 8 031		39
PCTR	TELESCOPE RETRACTION SENSOR	CONNECTEUR MALE 3 VOIES · E 12407-85	CONTACTS FEMELLES 1 mm2 : A 12407-35	OBTURATEUR · L 03409-62	78
PCTS	TELESCOPE EXTENSION SENSOR	CONNECTEUR MALE 3 VOIES · E 12407-85	CONTACTS FEMELLES 1 mm2 : A 12407-35	OBTURATEUR · L 03409-62	78
PD101	PROTECTION DIODE	CONNECTEUR MALE 6 VOIES · J 12407-89	CONTACTS FEMELLES 1 mm2 : A 12407-35		76
PD102	PROTECTION DIODE	CONNECTEUR MALE 6 VOIES · J 12407-89	CONTACTS FEMELLES 1 mm2 : A 12407-35		76
PD105	PROTECTION DIODE	CONNECTEUR MALE 6 VOIES · J 12407-89	CONTACTS FEMELLES 1 mm2 : A 12407-35		12
PD106	PROTECTION DIODE	CONNECTEUR MALE 6 VOIES · J 12407-89	CONTACTS FEMELLES 1 mm2 : A 12407-35		13
PD107	FRONT SUSPENSION RELEASING	CONNECTEUR MALE 2 VOIES réf DEUTSCH : DT06-2S-E008	CONTACTS FEMELLES 1 mm2 : A 12407-35	CALE DE VERROUILLAGE 2 VOIES réf. DEUTSCH : WFS	21
PD107	REAR SUSPENSION RELEASING	CONNECTEUR MALE 2 VOIES réf DEUTSCH : DT06-2S-E008	CONTACTS FEMELLES 1 mm2 : A 12407-35	CALE DE VERROUILLAGE 2 VOIES réf. DEUTSCH : WFS	21
PE10	EXHAUST BRAKE	CONNECTEUR 2 - 4 VOIES réf AMP · 1-967325-1	CONTACTS DIA 2.5 réf AMP · 0-929974-1		11
PE10	WINCH DOWN	CONNECTEUR 2 VOIES · C 61407-95	CONTACTS L 61409-18		75
PE11M	WINCH UP	CONNECTEUR 2 VOIES · C 61407-95	CONTACTS L 61409-18		76
PE12D	WINCH DOWN	CONNECTEUR 2 VOIES · C 61407-95	CONTACTS L 61409-18		76
PE12M	WINCH UP	CONNECTEUR 2 VOIES · C 61407-95	CONTACTS · L 61409-18		76
PE13M	ABS MODULATORS GROUND	CONNECTEUR MALE 4 VOIES · G 12407-87	CONTACTS FEMELLES 1 mm2 : A 12407-35		24
PE13M	ABS MODULATORS GROUND	CONNECTEUR FEMELLE 4 VOIES : H 12407-88	CONTACTS MALES 1 mm2 : B 12407-36		24
PE14	ABS TRAILOR PLUG		CABLE REMORQUAGE ABS 15M : L 80522-18		24
PE15	BOOM HOIST DOWN	CONNECTEUR 2 VOIES · C 61407-95	CONTACTS · L 61409-18		76
PE15	BOOM HOIST UP	CONNECTEUR 2 VOIES · C 61407-95	CONTACTS L 61409-18		76
PE16	TELESCOPE RETRACTION	CONNECTEUR 2 VOIES · C 61407-95	CONTACTS L 61409-18		76
PE16	TELESCOPE EXTENSION	CONNECTEUR 2 VOIES · C 61407-95	CONTACTS L 61409-18		76
PE17	CAB-POWER/GROUND CONNECTION	CONNECTEUR 70 VOIES : A 61407-01	CONTACTS FEMELLES 1 mm2 : A 12407-35		8
PE17	CAB-POWER/GROUND CONNECTION	CONNECTEUR EMBASE 70 VOIES · U 12407-99	CONTACTS MALES 1 mm2 · B 12407-36	CONTACTS MALES 1.5 mm2 ·	8
PE18	CAB-CARRIER CONNECTION	CONNECTEUR 70 VOIES : A 61407-01	CONTACTS FEMELLES 1 mm2 : A 12407-35	CONTACTS FEMELLES 1.5 mm2 :	31
PE18	CAB-CARRIER CONNECTION	CONNECTEUR EMBASE 70 VOIES : U 12407-99	CONTACTS MALES 1 mm2 : B 12407-36	CONTACTS MALES 1.5 mm2 :	31
PE19	STOP LIGHT SENSOR	CONNECTEUR MALE 3 VOIES · E 12407-85	CONTACTS FEMELLES 1 mm2 : A 12407-35		20
PE19	CAB-ENGINE CONNECTION	CONNECTEUR 70 VOIES : A 61407-01	CONTACTS FEMELLES 1 mm2 : A 12407-35		13
PE19	CAB-ENGINE CONNECTION	CONNECTEUR EMBASE 70 VOIES · U 12407-99	CONTACTS MALES 1 mm2 · B 12407-36	CONTACTS MALES 1.5 mm2	13
PE20	ELECTRICAL SWIVEL	CONNECTEUR 70 VOIES : A 61407-01	CONTACTS FEMELLES 1 mm2 : A 12407-35	CONTACTS FEMELLES 1.5 mm2	32
PE20	ELECTRICAL SWIVEL	CONNECTEUR EMBASE 70 VOIES · U 12407-99	CONTACTS MALES 1 mm2 · B 12407-36	CONTACTS MALES 1.5 mm2 ·	32
PE21	CAB-CARRIER CONNECTION	CONNECTEUR 70 VOIES : A 61407-01	CONTACTS FEMELLES 1 mm2 : A 12407-35	CONTACTS FEMELLES 1.5 mm2 ·	42
PE21	CAB-CARRIER CONNECTION	CONNECTEUR EMBASE 70 VOIES : U 12407-99	CONTACTS MALES 1 mm2 : B 12407-36	CONTACTS MALES 1.5 mm2 :	42
PE22	OUTRIGGERS CONTROL BOX	CONNECTEUR 21 VOIES : L 63407-65	CONTACTS FEMELLES 0.5 à 1 mm2 : B 61409-32		29
PE22	OUTRIGGERS CONTROL BOX	CONNECTEUR 21 VOIES : L 63407-65	CONTACTS FEMELLES 0.5 à 1 mm2 : B 61409-32		30
PE23	LEFT REAR LIGHT UNIT	CONNECTEUR MALE 8 VOIES · L 12407-91	CONTACTS FEMELLES 1 mm2 : A 12407-35	CONTACTS FEMELLES 1.5 mm2 ·	18
PE23	FAISCEAU PORTEUR	CONNECTEUR FEMELLE 8 VOIES · M 12407-92	CONTACTS MALES 1 mm2 · B 12407-36		49
PE24	RIGHT REAR LIGHT UNIT	CONNECTEUR MALE 8 VOIES · L 12407-91	CONTACTS FEMELLES 1 mm2 : A 12407-35	CONTACTS FEMELLES 1.5 mm2	18
PE24	FAISCEAU PORTEUR	CONNECTEUR FEMELLE 8 VOIES · M 12407-92	CONTACTS MALES 1 mm2 · B 12407-36		49
PE25	CAB-STORAGE BOXES CONNECTION	CONNECTEUR 70 VOIES : A 61407-01	CONTACTS FEMELLES 1 mm2 : A 12407-35	CONTACTS FEMELLES 1.5 mm2 ·	4

FOR OTHER INFORMATION REFER TO LOOM LAYOUT PAGES

 CR 108332	ETUDE · 1426	DOSSIER ELECTRIQUE MACHINE	AC4012 - AC402/L	INDICE : B	
	E.P.S. :	GENERAL ELECTRIC FILE		Dessinateur : B.C.	Date : 16/10/2006
	MACHINE : 251419 -->	CONNECTORS PART NUMBER OUT OF COMPONENTS		Vérificateur : R.P.	Date : 17/12/2007
CE PLAN EST LA PROPRIETE DE TEREX L NE PEUT ETRE NI REPRODUIT, NI COMMUNE SANS NOTRE AUTORISATION / THIS DRAWING IS THE PROPERTY OF TEREX IT IS NOT BE USED OR REPRODUCED WITHOUT OUR AUTHORIZATION					
REFERENCES CONNECTIQUE HORS COMPOSANTS					
CONNECTORS PART NUMBER OUT OF COMPONENTS					
FOR OTHER INFORMATION REFER TO LOOM LAYOUT PAGES					

CONNECTORS PART NUMBER OUT OF COMPONENTS

ITEM	FUNCTION	CONNECTOR	TERMINALS AND SPLICES	TERMINALS AND SPLICES	PAGE
P55.	CAB-STORAGE BOXES CONNECTION	CONNECTEUR 70 VOIES · U 12407-99	CONTACTS MALES 1 mm2 · B 12407-36	CONTACTS MALES 1.5 mm2 ·	21
P59	SPEED SENSOR	CONNECTEUR 2 - 4 VOIES réf. AMP : 1-967325-1	CONTACTS DIA 2.5 réf. AMP : 0-929974-1	JOINT ETANCHEITE réf. AMP : 878920-1	12
P60	CAB-TURRET CONNECTION	CONNECTEUR 70 VOIES : A 61407-01	CONTACTS FEMELLES 1 mm2 : A 12407-35	CONTACTS FEMELLES 1.5 mm2 :	70
P60	CAB-TURRET CONNECTION	CONNECTEUR EMBASE 70 VOIES : U 12407-99	CONTACTS MALES 1 mm2 : B 12407-36	CONTACTS MALES 1.5 mm2 :	70
P61	ALTERNATOR	CONNECTEUR 5 VOIES · 0 63407-23	CONTACTS 0 5 à 1 mm2 · X 61409-29		4
P68	TURRET-BOOM CONNECTION	CONNECTEUR EMBASE 23 VOIES · X 12407-33	CONTACTS MALES 1 mm2 · B 12407-36	CONTACTS MALES 1.5 mm2	70
P68.	TURRET-BOOM CONNECTION	CONNECTEUR 23 VOIES : H 12407-42	CONTACTS FEMELLES 1 mm2 : A 12407-35	CONTACTS FEMELLES 1.5 mm2	70
P89	PISTON SIDE TRANSDUCER		CABLE DIN A / Lgr 5 m réf. MURRELEKTRONIK · F04001		82
P89	ROD SIDE TRANSDUCER		CABLE DIN A / Lgr 5 m réf. MURRELEKTRONIK · F04001		82
P123	ELECTRICAL SWIVEL	CONNECTEUR 70 VOIES : A 61407-01	CONTACTS FEMELLES 1 mm2 : A 12407-35	CONTACTS FEMELLES 1.5 mm2 :	60
P123	ELECTRICAL SWIVEL	CONNECTEUR EMBASE 70 VOIES : U 12407-99	CONTACTS MALES 1 mm2 : B 12407-36	CONTACTS MALES 1.5 mm2 :	60
P130	REAR STEERING LOCKING SENSOR		CABLE CONNECTEUR 2 VOIES : G 03407-97		26
P195	TURRET STEERING CLUTCH	CONNECTEUR MALE 2 VOIES · C 12407-83	CONTACTS FEMELLES 1 mm2 : A 12407-35		37
P200	EMERGENCY SHUT-DOWN	CONNECTEUR MALE 4 VOIES · G 12407-87	CONTACTS FEMELLES 1 mm2 : A 12407-35		14
P201	EMERGENCY SHUT-DOWN	CONNECTEUR MALE 4 VOIES · G 12407-87	CONTACTS FEMELLES 1 mm2 : A 12407-35		14
P211	LEFT LOW BEAM	CONNECTEUR 2 VOIES réf. AMP : 965430-1	CLIP FEMELLE 6.35 A VERROU réf. AMP 160831-3	CAPUCHON DE PROTECTION AR. réf. HELLA 9GH 145 943-012	19
P213	FRONT LEFT FOG LIGHT		KIT DE CONNECTION Micro DE réf. HELLA : 8JD 156 150-807		20
P214	RIGHT LATERAL PARKING LIGHT	CONNECTEUR MALE 2 VOIES · C 12407-83	CONTACTS FEMELLES 1 mm2 : A 12407-35		18
P215	LEFT LATERAL PARKING LIGHT	CONNECTEUR MALE 2 VOIES : C 12407-83	CONTACTS FEMELLES 1 mm2 : A 12407-35		18
P216	LEFT HIGH BEAM	CONNECTEUR 2 VOIES réf. AMP : 965430-1	CLIP FEMELLE 6.35 A VERROU réf. AMP : 160831-3	CAPUCHON DE PROTECTION AR réf HELLA : 9GH 145 943-001	19
P221	RIGHT LOW BEAM	CONNECTEUR 2 VOIES réf. AMP : 965430-1	CLIP FEMELLE 6.35 A VERROU réf. AMP : 160831-3	CAPUCHON DE PROTECTION AR réf HELLA : 9GH 145 943-012	19
P223	FRONT RIGHT FOG LIGHT		KIT DE CONNECTION Micro DE réf. HELLA : 8JD 156 150-807		20
P224	CW CYLINDER HIGH POSITION AUDIBLE ALARM	CONNECTEUR MALE 2 VOIES · C 12407-83	CONTACTS FEMELLES 1 mm2 : A 12407-35		38
P226	RIGHT HIGH BEAM	CONNECTEUR 2 VOIES réf. AMP : 965430-1	CLIP FEMELLE 6.35 A VERROU réf. AMP 160831-3	CAPUCHON DE PROTECTION AR. réf. HELLA 9GH 145 943-001	19
P227	FUEL FILTER / WATER SEPARATOR	CONNECTEUR 2 VOIES · C 61407-95	CONTACTS réf. AMP · 927771-3		39
P228	FUEL FILTER / WATER SEPARATOR	CONNECTEUR 2 VOIES · C 61407-95	CONTACTS réf. AMP · 927771-3		39
P231	RIGHT LATERAL PARKING LIGHT	CONNECTEUR MALE 2 VOIES : C 12407-83	CONTACTS FEMELLES 1 mm2 : A 12407-35		18
P232	RIGHT LATERAL PARKING LIGHT	CONNECTEUR MALE 2 VOIES : C 12407-83	CONTACTS FEMELLES 1 mm2 : A 12407-35		18
P241	LEFT LATERAL PARKING LIGHT	CONNECTEUR MALE 2 VOIES · C 12407-83	CONTACTS FEMELLES 1 mm2 : A 12407-35		18
P242	LEFT LATERAL PARKING LIGHT	CONNECTEUR MALE 2 VOIES · C 12407-83	CONTACTS FEMELLES 1 mm2 : A 12407-35		18
P250	REAR STEERING REVERSE DIRECTION SENSOR	CONNECTEUR MALE 3 VOIES · E 12407-85	CONTACTS FEMELLES 1 mm2 : A 12407-35		26
P250.	REAR STEERING REVERSE DIRECTION SENSOR	CONNECTEUR FEMELLE 3 VOIES · F 12407-86	CONTACTS MALES 1 mm2 · B 12407-36		26
P252	ENGINE COOLANT LEVEL SENSOR	CONNECTEUR 2 VOIES · C 61407-95	CONTACTS · L 61409-18		11
P260	TURRET PARKING BRAKE SENSOR	CONNECTEUR MALE 3 VOIES · E 12407-85	CONTACTS FEMELLES 1 mm2 : A 12407-35		38
P275	FRONT LEFT SUSPENSION UP SENSOR	CONNECTEUR MALE 3 VOIES : E 12407-85	CONTACTS FEMELLES 1 mm2 : A 12407-35		42
P275	FRONT LEFT SUSPENSION UP SENSOR	CONNECTEUR FEMELLE 3 VOIES : F 12407-86	CONTACTS MALES 1 mm2 : B 12407-36		42
P276	FRONT LEFT SUSPENSION DOWN SENSOR	CONNECTEUR MALE 3 VOIES · E 12407-85	CONTACTS FEMELLES 1 mm2 : A 12407-35		42
P276	FRONT LEFT SUSPENSION DOWN SENSOR	CONNECTEUR FEMELLE 3 VOIES · F 12407-86	CONTACTS MALES 1 mm2 · B 12407-36		42
P277	FRONT RIGHT SUSPENSION UP SENSOR	CONNECTEUR MALE 3 VOIES · E 12407-85	CONTACTS FEMELLES 1 mm2 : A 12407-35		42
P277.	FRONT RIGHT SUSPENSION UP SENSOR	CONNECTEUR FEMELLE 3 VOIES · F 12407-86	CONTACTS MALES 1 mm2 · B 12407-36		42
P278	FRONT RIGHT SUSPENSION DOWN SENSOR	CONNECTEUR MALE 3 VOIES · E 12407-85	CONTACTS FEMELLES 1 mm2 : A 12407-35		42
P278.	FRONT RIGHT SUSPENSION DOWN SENSOR	CONNECTEUR FEMELLE 3 VOIES · F 12407-86	CONTACTS MALES 1 mm2 · B 12407-36		42
P279	REAR LEFT SUSPENSION UP SENSOR	CONNECTEUR MALE 3 VOIES : E 12407-85	CONTACTS FEMELLES 1 mm2 : A 12407-35		42
P279	REAR LEFT SUSPENSION UP SENSOR	CONNECTEUR FEMELLE 3 VOIES : F 12407-86	CONTACTS MALES 1 mm2 : B 12407-36		42
P280	REAR LEFT SUSPENSION DOWN SENSOR	CONNECTEUR MALE 3 VOIES · E 12407-85	CONTACTS FEMELLES 1 mm2 : A 12407-35		42
P280	REAR LEFT SUSPENSION DOWN SENSOR	CONNECTEUR FEMELLE 3 VOIES · F 12407-86	CONTACTS MALES 1 mm2 · B 12407-36		42
P281	REAR RIGHT SUSPENSION UP SENSOR	CONNECTEUR MALE 3 VOIES · E 12407-85	CONTACTS FEMELLES 1 mm2 : A 12407-35		42
P281.	REAR RIGHT SUSPENSION UP SENSOR	CONNECTEUR FEMELLE 3 VOIES · F 12407-86	CONTACTS MALES 1 mm2 · B 12407-36		42
P282	REAR RIGHT SUSPENSION DOWN SENSOR	CONNECTEUR MALE 3 VOIES · E 12407-85	CONTACTS FEMELLES 1 mm2 : A 12407-35		42
P282.	REAR RIGHT SUSPENSION DOWN SENSOR	CONNECTEUR FEMELLE 3 VOIES · F 12407-86	CONTACTS MALES 1 mm2 · B 12407-36		42

FOR OTHER INFORMATION REFER TO LOOM LAYOUT PAGES

 CR 108332	ETUDE · 1426 E.P.S. : MACHINE : 251419 -->	DOSSIER ELECTRIQUE MACHINE GENERAL ELECTRIC FILE	AC4012 - AC402/L Dessinateur : B.C. Vérificateur : R.P.	INDICE : B Date : 16/10/2006 Date : 17/12/2007
	REFERENCES CONNECTIQUE HORS COMPOSANTS CONNECTORS PART NUMBER OUT OF COMPONENTS			INDICE : B PAGE : 181
	CE PLAN EST LA PROPRIETE DE TEREX L NE PEUT ETRE NI REPRODUIT, NI COMMUNIQUE SANS NOTRE AUTORISATION / THIS DRAWING IS THE PROPERTY OF TEREX IT IS NOT BE USED OR REPRODUCED WITHOUT OUR AUTHORIZATION			

CONNECTORS PART NUMBER OUT OF COMPONENTS

ITEM	FUNCTION	CONNECTOR	TERMINALS AND SPLICES	TERMINALS AND SPLICES	PAGE
P300	SECTIONS 3-4-5 FULL IN OR OUT SENSOR	CONNECTEUR MALE 3 VOIES : E 12407-85	CONTACTS FEMELLES 1 mm2 : A 12407-35		82
P300.	SECTIONS 3-4-5 FULL IN OR OUT SENSOR	CONNECTEUR FEMELLE 3 VOIES : F 12407-86	CONTACTS MALES 1 mm2 : B 12407-36		82
RD	ADJUSTABLE MIRROR DEFROST	CONNECTEUR 8 VOIES réf. AMP : 929504-3	CONTACTS 0 5 à 1 mm2 réf. AMP : 927846-1		40
RG	ADJUSTABLE MIRROR DEFROST	CONNECTEUR 8 VOIES réf. AMP : 929504-3	CONTACTS 0 5 à 1 mm2 réf. AMP : 927846-1		40
RS232	LIAISON RS232	CONNECTEUR SUB-D 9 VOIES FEMELLES réf MC MURDO . DE9SF	CONTACTS à SOUDER intégrés au CONNECTEUR	CAPOT METALLIQUE SUB-D 9 VOIES réf MH CONNECTORS : DTZK-9 85	85
RZE	120 OHMS RESISTOR	CONNECTEUR MALE 3 VOIES E 12407-85	CONTACTS FEMELLES 1 mm2 : A 12407-35	CALE DE VERROUILLAGE BLEUE J1939 B 67414-85	15
RZE.	CAB LOOM CONNECTING	CONNECTEUR FEMELLE 3 VOIES F 12407-86	CONTACTS MALES 1 mm2 B 12407-36		15
SRM	BOOM HOIST UP OVERRIDE		X		76
S1	HORN	Serlir UNE cosse par FIL	CLIP FEMELLE 6.35 / 1.5 à 2.5 mm2 : J 03409-14	Recouvrir CHAQUE cosse d'un MANCHON THERMO	19
S9	FRONT INTER-WHEELS DIFFERENTIAL		CABLE CONNECTEUR 2 VOIES : G 03407-97		23
S10	PARKING BRAKE SENSOR		COSSE DIA 4 / 0 6 à 1 mm2 : L 00409-50		13
S11	MAIN SWITCH		COSSE DIA 10 / 7 à 10 mm2 : H 03409-13	COSSE DIA 10 / 16 à 25 mm2 :	4
S18	REAR INTER-WHEELS DIFFERENTIAL		CABLE CONNECTEUR 2 VOIES : G 03407-97		23
S19	12V BATTERY PLUG		COSSE DIA 6 / 1 5 à 2 5 mm2 L 00409-27		4
S33	TRAILOR PLUG		Fils non DENUDES		17
S44	AIR DRYER		CABLE CONNECTEUR 2 VOIES G 03407-97		39
S51	FRONT AXLE LOCKING SENSOR		CABLE CONNECTEUR 2 VOIES G 03407-97		22
S53	FRONT BRAKE AIR PRESSURE	Serlir UNE cosse par FIL	CLIP FEMELLE 6.35 / 0 6 à 1 mm2 : K 03409-15	Recouvrir CHAQUE cosse d'un MANCHON THERMO	12
S57	REAR BRAKE AIR PRESSURE	Serlir UNE cosse par FIL	CLIP FEMELLE 6.35 / 0 6 à 1 mm2 : K 03409-15	Recouvrir CHAQUE cosse d'un MANCHON THERMO	12
S60	STARTER		COSSE DIA 6 / 1 5 à 2 5 mm2 : L 00409-27	COSSE DIA 10 / 7 à 10 mm2 : H 03409-13	4
S61	ALTERNATOR		COSSE DIA 6 / 7 à 10 mm2 : G 03409-12	COSSE DIA 8 / 7 à 10 mm2 : N 03409-87	4
S63	CLUTCH OIL PRESSURE SENSOR		COSSE DIA 4 / 0 6 à 1 mm2 : L 00409-50		12
S69	AUXILIARY WINCH SENSOR		CLIP FEMELLE DIA 3 / 0 6 à 1 mm2 B 03409-30	CLIP MALE DIA 3 / 0 6 à 1 mm2 : C 03409-31	75
S74	WINCH SENSOR		CLIP FEMELLE 6.35 / 0 6 à 1 mm2 : K 03409-15		75
S81	SEAT SENSOR		CLIP FEMELLE DIA 3 / 0 6 à 1 mm2 : B 03409-30	CLIP MALE DIA 3 / 0 6 à 1 mm2 : C 03409-31	75
S82	APREST SENSOR		CLIP FEMELLE DIA 3 / 0 6 à 1 mm2 : B 03409-30	CLIP MALE DIA 3 / 0 6 à 1 mm2 : C 03409-31	75
S86	CW LOCK / RELEASE FLAG LIGHTING		CLIP FEMELLE 6.35 / 0 6 à 1 mm2 : K 03409-15		70
S91	TELESCOPE OUT SAFETY SWITCH		CABLE DINA / Lgr 1 5 m réf MURRELEKTRONIC : 247169		79
S97	SLEWING LOCKING SENSOR		COSSE DIA 4 / 0 6 à 1 mm2 : L 00409-50		77
S98	BOOM WORKING LIGHT		Cable coupé NET		70
S102	WINDSCREEN WASHER		CONNECTEUR MALE 2 VOIES L 03407-78		68
S109.	WORKING LIGHT		CLIP FEMELLE 6.35 A VERROU : V 03409-48		67
S111	ROTATING BEACON		CLIP FEMELLE 6.35 / 0 6 à 1 mm2 : K 03409-15		70
S116	OIL FILTER CLOGGING SENSOR		CLIP FEMELLE 6.35 / 0 6 à 1 mm2 : K 03409-15	COSSE DIA 6 / 0 6 à 1 mm2 : N 00409-52	63
S117	HYDRAULIC OIL COOLER SENSOR		COSSE DIA 6 / 0 6 à 1 mm2 : N 00409-52		71
S124	ROTATING BEACON		CLIP FEMELLE 6.35 / 0 6 à 1 mm2 : K 03409-15		70
S128	BOOM LENGTH / ANGLE REEL DRUM		CLIP FEMELLE 6.35 / 0 6 à 1 mm2 : K 03409-15		82
S130	HORN		Cable coupé NET		69
S131	SEAT SAFETY SWITCH OVERRIDE		CABLE CONNECTEUR 2 VOIES : G 03407-97		75
S136.	LOUD-SPEAKER		CABLE CONNECTEUR 2 VOIES G 03407-97		68
S137.	LOUD-SPEAKER		X		68
S140	RIGHT FRONT BLINKER		X		17
S141	LEFT FRONT BLINKER	CAPUCHON DE PROTECTION AR. réf. HELLA : 9GT 137 236-007	CLIP FEMELLE 2.8 A VERROU réf. AMP : 160655-2	Recouvrir CHAQUE cosse d'un MANCHON THERMO	17
S143	LEFT LATERAL BLINKER	CAPUCHON DE PROTECTION AR. réf. HELLA : 9GT 137 236-007	CLIP FEMELLE 2.8 A VERROU réf. AMP : 160655-2	Recouvrir CHAQUE cosse d'un MANCHON THERMO	17
S144	RIGHT LATERAL BLINKER	Serlir UNE cosse par FIL	CLIP FEMELLE 6.35 / 0 6 à 1 mm2 : K 03409-15	Recouvrir CHAQUE cosse d'un MANCHON THERMO	17
S153	ROTATING BEACON	Serlir UNE cosse par FIL	CLIP FEMELLE 6.35 / 0 6 à 1 mm2 : K 03409-15	Recouvrir CHAQUE cosse d'un MANCHON THERMO	17
S154	ROTATING BEACON		X		36
S156	RETARDER		X		27
S170	FRONT BRAKE AIR PRESSURE	Serlir UNE cosse par FIL	COSSE DIA 4 / 0 6 à 1 mm2 : L 00409-50		12
S171	REAR BRAKE AIR PRESSURE	Serlir UNE cosse par FIL	COSSE DIA 4 / 0 6 à 1 mm2 : L 00409-50		12

FOR OTHER INFORMATION REFER TO LOOM LAYOUT PAGES

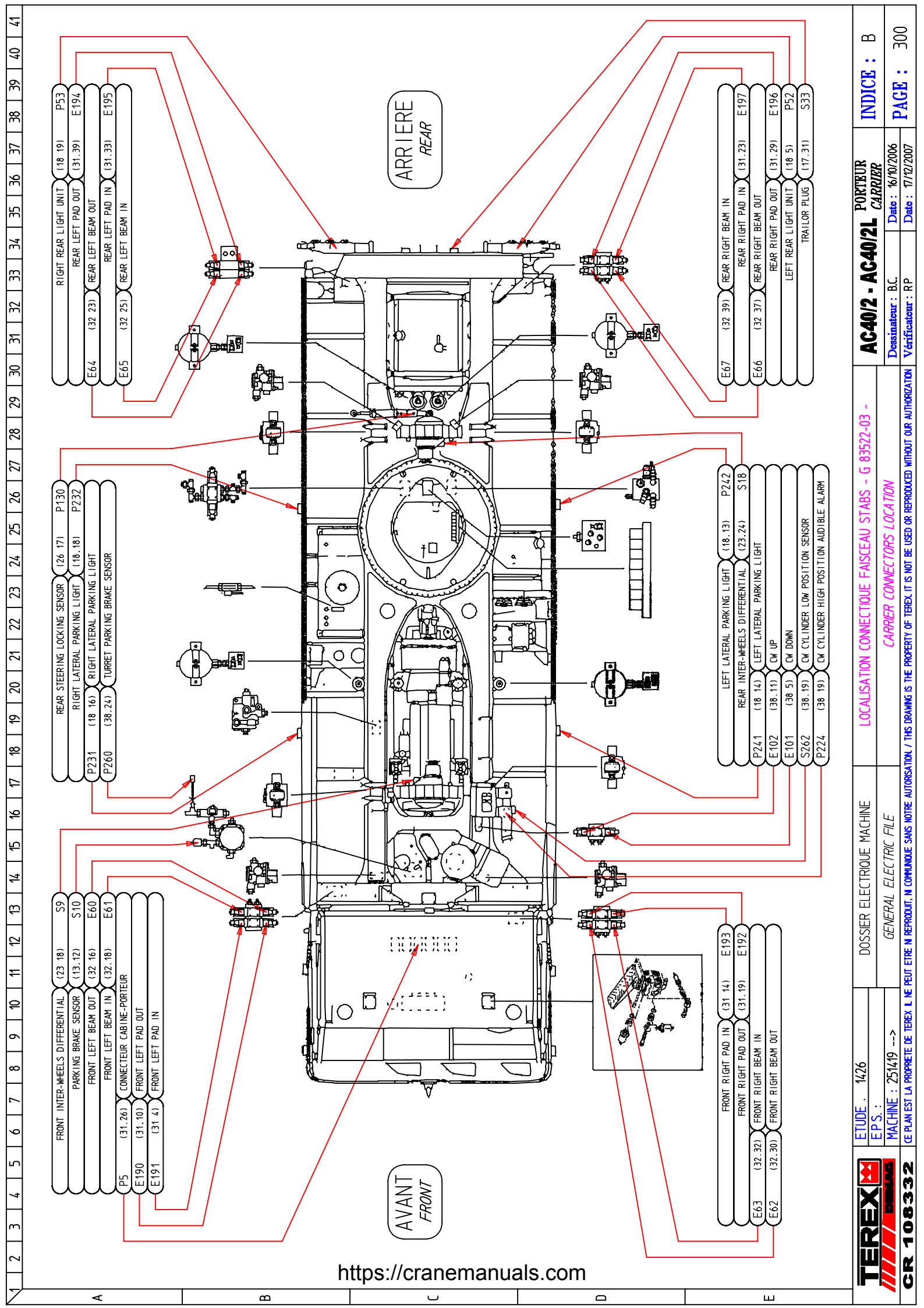
 CR 108332	ETUDE : 1426 E.P.S. : MACHINE : 251419 -->	DOSSIER ELECTRIQUE MACHINE GENERAL ELECTRIC FILE	AC4012 - AC40/2L Dessinateur : B.C. Verificateur : R.P.	INDICE : B Date : 16/10/2006 Date : 17/12/2007
	REFERENCES CONNECTIQUE HORS COMPOSANTS CONNECTORS PART NUMBER OUT OF COMPONENTS		REFERENCE : B.C. REFERENCE : R.P.	DATE : 16/10/2006 DATE : 17/12/2007
	CE PLAN EST LA PROPRIETE DE TEREX L NE PEUT ETRE NI REPRODUIT, NI COMMUNIQUE SANS NOTRE AUTORISATION / THIS DRAWING IS THE PROPERTY OF TEREX IT IS NOT BE USED OR REPRODUCED WITHOUT OUR AUTHORIZATION			

CONNECTORS PART NUMBER OUT OF COMPONENTS

ITEM	FUNCTION	CONNECTOR	TERMINALS AND SPLICES	TERMINALS AND SPLICES	PAGE
S175	AIR CONDITION COMPRESSOR	Recouvrir CHAQUE cosse d'un MANCHON THERMO	CLIP FEMELLE DIA 4 / 1.5 à 2.5 mm2 : B 03409-07		44
S183	24V PLUG	Serlir UNE cosse par FIL	CLIP FEMELLE 6.35 / 0.6 à 1 mm2 : K 03409-15	Recouvrir CHAQUE cosse d'un MANCHON THERMO	35
S185	RETARDER RELAYS UNIT		COSSE DIA 5 / 0.6 à 1 mm2 : M 00409-51	COSSE DIA 6 / 7 à 10 mm2 : G 03409-12	27
S186	CAB ROOF LIGHT		X		36
S187	CAB ROOF LIGHT		X		36
S190	WINDSCREEN WASHER		X		35
S193	CEILING LIGHT		X		35
S194	EXHAUST BRAKE		CABLE CONNECTEUR 2 VOIES G 03407-97		11
S196	LOUD-SPEAKER		X		35
S197	LOUD-SPEAKER		X		35
S199	CEILING LIGHT		X		35
S203	LEFT DOOR SWITCH	Serlir UNE cosse par FIL	CLIP FEMELLE 6.35 / 0.6 à 1 mm2 : K 03409-15	Recouvrir CHAQUE cosse d'un MANCHON THERMO	35
S204	RIGHT DOOR SWITCH	Serlir UNE cosse par FIL	CLIP FEMELLE 6.35 / 0.6 à 1 mm2 : K 03409-15	Recouvrir CHAQUE cosse d'un MANCHON THERMO	35
S206	12V PLUG	Serlir UNE cosse par FIL	CLIP FEMELLE 6.35 / 0.6 à 1 mm2 : K 03409-15	Recouvrir CHAQUE cosse d'un MANCHON THERMO	35
S207	12V BATTERY		X		4
S221	CIRCUIT 1 STEERING FLOW	Affectation COSSES voir LISTING	CLIP FEMELLE 6.35 / 0.6 à 1 mm2 : K 03409-15	COSSE DIA 10 / 0.6 à 1 mm2 :	13
S223.	L.M.I. OVERRIDE		X		74
S224.	WINCH UP OVERRIDE		X		74
S225	TELESCOPE CYLINDER SELECTION		X		78
S240	HEAD BOOM LIGHT		X		91
S243	ANTI TWO BLOCK SAFETY SELECTION		X		91
S249	FRONT LEFT WHEEL ABS MODULATOR		CABLE MODULEUR ABS 15M S 75522-96		24
S251.	FRONT RIGHT WHEEL ABS MODULATOR		CABLE MODULEUR ABS 15M S 75522-96		24
S252.	REAR LEFT WHEEL ABS MODULATOR		CABLE MODULEUR ABS 15M S 75522-96		24
S253.	REAR RIGHT WHEEL ABS MODULATOR		CABLE MODULEUR ABS 15M S 75522-96		24
S254	RIGHT FRONT PARKING LIGHT		KIT DE CONNECTION Micro DE réf. HELLA : 8JD 156 150-807		18
S255	LEFT FRONT PARKING LIGHT		KIT DE CONNECTION Micro DE réf. HELLA : 8JD 156 150-807		18
S261	CIGAR LIGHTER		X		69
S262	EW CYLINDER LOW POSITION SENSOR		WIRES WITHOUT PROTECTION		38
S287	AIR CONDITION LOW / HIGH PRESSURE SENSOR	CONNECTEUR FEMELLE 2 VOIES MTA 44 23540	CONTACTS MALES série 2.8 mm MTA 11 04500		44
S290	AIR CONDITION HIGH PRESSURE SENSOR	CONNECTEUR MALE 2 VOIES MTA 44 23530	CONTACTS FEMELLES série 2.8 mm MTA 11 04510		44
S291	CIGAR LIGHTER	CONNECTEUR MALE 2 VOIES L 03407-78	CLIP FEMELLE 6.35 A VERROU : V 03409-48	CLIP FEMELLE 6.35 / 0.6 à 1 mm2 : K 03409-15	36
S292	OVERLOAD / LMI OVERRIDE		Fils DENIDES et ETAMES sur 5 mm		70
S293	SECTION 2 LENGTH REEL DRUM		Cable coupé NET		82
S411	ROTATING BEACON	Affectation COSSES voir LISTING	CLIP FEMELLE 6.35 / 0.6 à 1 mm2 : K 03409-15	COSSE DIA 6 / 0.6 à 1 mm2 : N 00409-52	70
Z1	LOGICAL RELAY	Serlir une SEULE cosse dans un MEME passage	EMBOUT DE CABLAGE 0.5 mm2 : K 03409-84	EMBOUT DE CABLAGE 1 mm2 : W 03409-72	80
X5	ZF WIRING HARNESS	CONNECTEUR FEMELLE 4 VOIES F 63407-14	CONTACTS MALES 2.8 mm / 0.5 à 1 mm2 : T 61409-25		16
X8	ZF WIRING HARNESS	CONNECTEUR MALE 22 VOIES : G 63407-15	CONTACTS réf AMP : 925590-1		16
Z10A	LOGICAL RELAY	Serlir une SEULE cosse dans un MEME passage	EMBOUT DE CABLAGE 0.5 mm2 K 03409-84		45
Z10B.	LOGICAL RELAY	Serlir une SEULE cosse dans un MEME passage	EMBOUT DE CABLAGE 0.5 mm2 K 03409-84		45
Z11A.	LOGICAL RELAY	Serlir une SEULE cosse dans un MEME passage	EMBOUT DE CABLAGE 0.5 mm2 K 03409-84		46
Z11B.	LOGICAL RELAY	Serlir une SEULE cosse dans un MEME passage	EMBOUT DE CABLAGE 0.5 mm2 K 03409-84		46
Z12A	LOGICAL RELAY	Serlir une SEULE cosse dans un MEME passage	EMBOUT DE CABLAGE 0.5 mm2 K 03409-84		47
Z12B	LOGICAL RELAY	Serlir une SEULE cosse dans un MEME passage	EMBOUT DE CABLAGE 0.5 mm2 K 03409-84		47

FOR OTHER INFORMATION REFER TO LOOM LAYOUT PAGES

 CR 108332	ETUDE : 1426 E.P.S. : MACHINE : 251419 -->	DOSSIER ELECTRIQUE MACHINE GENERAL ELECTRIC FILE	REFERENCES CONNECTIQUE HORS COMPOSANTS CONNECTORS PART NUMBER OUT OF COMPONENTS	AC4012 - AC40/2L Dessinateur : B.C. Verificateur : R.P.	INDICE : B Date : 16/10/2006 Date : 17/12/2007	PAGE : 183
	CE PLAN EST LA PROPRIETE DE TEREX L NE PEUT ETRE NI REPRODUIT, NI COMMUNIQUE SANS NOTRE AUTORISATION / THIS DRAWING IS THE PROPERTY OF TEREX IT IS NOT BE USED OR REPRODUCED WITHOUT OUR AUTHORIZATION					
	FOR OTHER INFORMATION REFER TO LOOM LAYOUT PAGES					



- RIGHT REAR LIGHT UNIT (18 19) P53
- REAR LEFT PAD OUT (31 39) E194
- E64 (32 23) REAR LEFT BEAM OUT
- E65 (32 25) REAR LEFT BEAM IN

- REAR STEERING LOCKING SENSOR (26 17) P130
- RIGHT LATERAL PARKING LIGHT (18 18) P232
- P231 (18 16) RIGHT LATERAL PARKING LIGHT
- P260 (38 24) TURRET PARKING BRAKE SENSOR

- FRONT INTER-WHEELS DIFFERENTIAL (23 18) S9
- PARKING BRAKE SENSOR (13 12) S10
- FRONT LEFT BEAM OUT (32 16) E60
- FRONT LEFT BEAM IN (32 18) E61
- P5 (31 26) CONNECTEUR CABINE-PORTEUR
- E190 (31 10) FRONT LEFT PAD OUT
- E191 (31 4) FRONT LEFT PAD IN

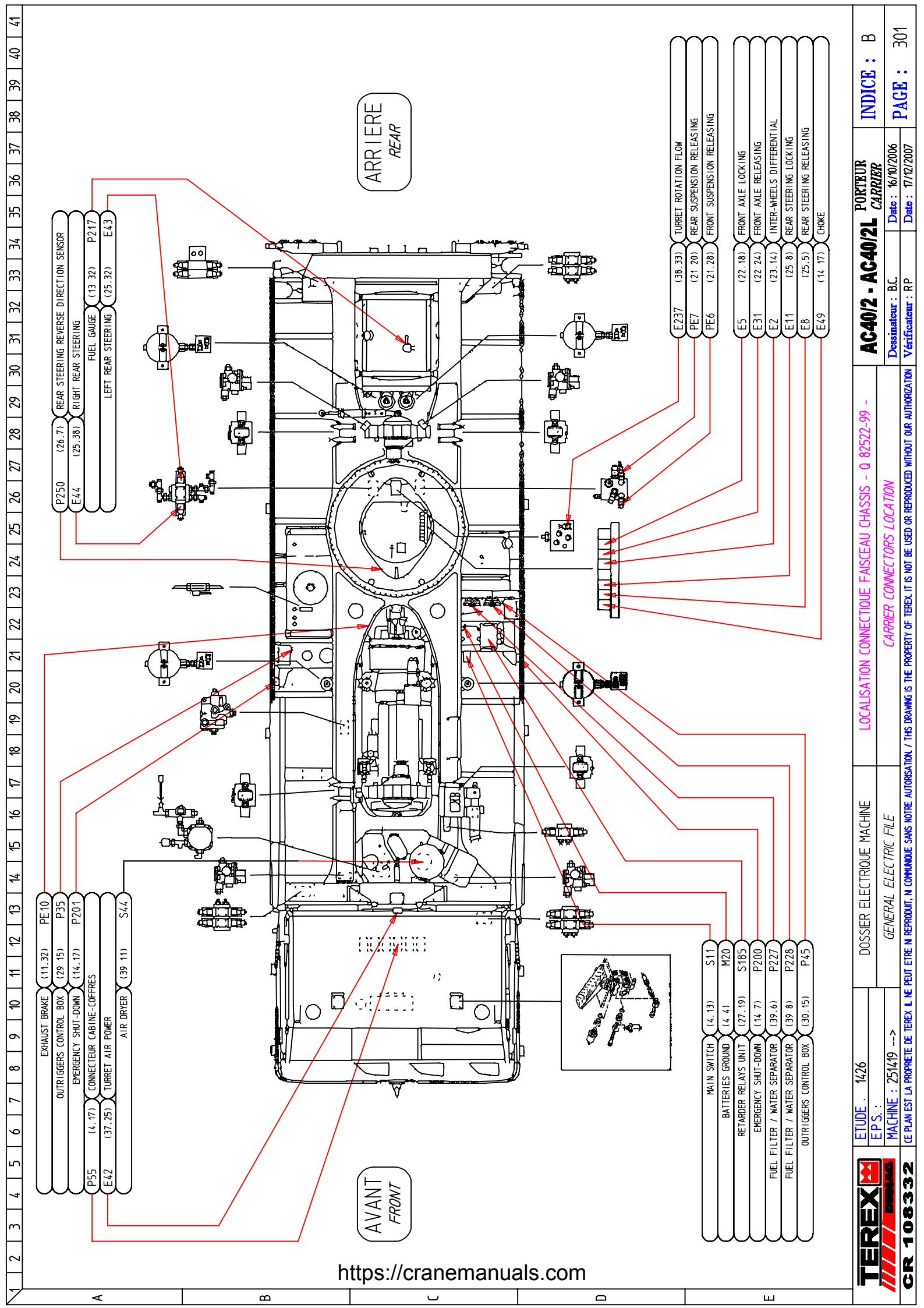
ARRIERE
REAR

AVANT
FRONT

- E67 (32 39) REAR RIGHT BEAM IN
- E66 (32 37) REAR RIGHT BEAM OUT
- REAR RIGHT PAD IN (31 23) E197
- REAR RIGHT PAD OUT (31 29) E196
- LEFT REAR LIGHT UNIT (18 5) P52
- TRAILOR PLUG (17 31) S33

- LEFT LATERAL PARKING LIGHT (18 13) P242
- REAR INTER-WHEELS DIFFERENTIAL (23 24) S18
- P241 (18 14) LEFT LATERAL PARKING LIGHT
- E102 (38 11) CW UP
- E101 (38 5) CW DOWN
- S262 (38 19) CW CYLINDER LOW POSITION SENSOR
- P224 (38 19) CW CYLINDER HIGH POSITION AUDIBLE ALARM

- FRONT RIGHT PAD IN (31 14) E193
- FRONT RIGHT PAD OUT (31 19) E192
- E63 (32 32) FRONT RIGHT BEAM IN
- E62 (32 30) FRONT RIGHT BEAM OUT



ARRIERE
REAR

AVANT
FRONT

<https://cranemanuals.com>

- EXHAUST BRAKE (11.32) PE10
- OUTRIGGERS CONTROL BOX (29.15) P35
- EMERGENCY SHUT-DOWN (14.17) P201
- P55 (4.17) CONNECTEUR CABINE-COFRRES
- E42 (37.25) TURRET AIR POWER
- AIR DRYER (39.11) S44
- REAR STEERING REVERSE DIRECTION SENSOR (26.7) P250
- E44 (25.38) RIGHT REAR STEERING
- P217 (13.32) FUEL GAUGE
- E43 (25.32) LEFT REAR STEERING

- MAIN SWITCH (4.13) S11
- BATTERIES GROUND (4.4) M20
- RETARDER RELAYS UNIT (27.19) S185
- EMERGENCY SHUT-DOWN (14.7) P200
- FUEL FILTER / WATER SEPARATOR (39.6) P227
- FUEL FILTER / WATER SEPARATOR (39.8) P228
- OUTRIGGERS CONTROL BOX (30.15) P45

- E237 (36.33) TURRET ROTATION FLOW
- PE7 (21.20) REAR SUSPENSION RELEASING
- PE6 (21.28) FRONT SUSPENSION RELEASING
- E5 (22.18) FRONT AXLE LOCKING
- E31 (22.24) FRONT AXLE RELEASING
- E2 (23.14) INTER-WHEELS DIFFERENTIAL
- E11 (25.8) REAR STEERING LOCKING
- E8 (25.5) REAR STEERING RELEASING
- E49 (14.17) CHOKE

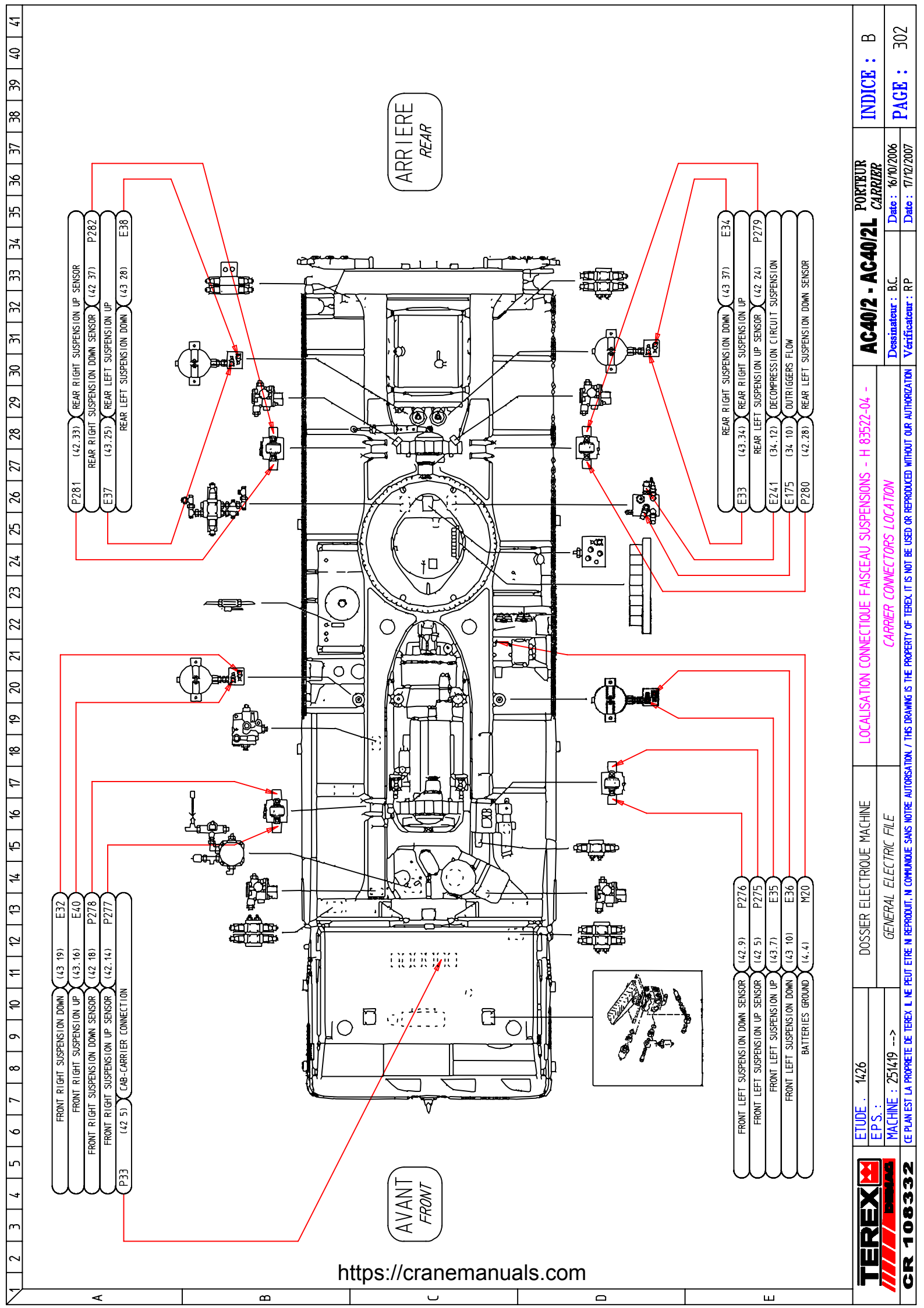


CR 108332

ETUDE : 1426
 EPS :
 MACHINE : 251419 -->
 DOSSIER ELECTRIQUE MACHINE
 GENERAL ELECTRIC FILE

LOCALISATION CONNECTIQUE FAISCEAU CHASSIS - Q 82522-99 -
 CARRIER CONNECTORS LOCATION
 Dessinateur : B.C.
 Verificateur : RP
 Date : 16/10/2006
 Date : 17/12/2007

INDICE : B
 PAGE : 301

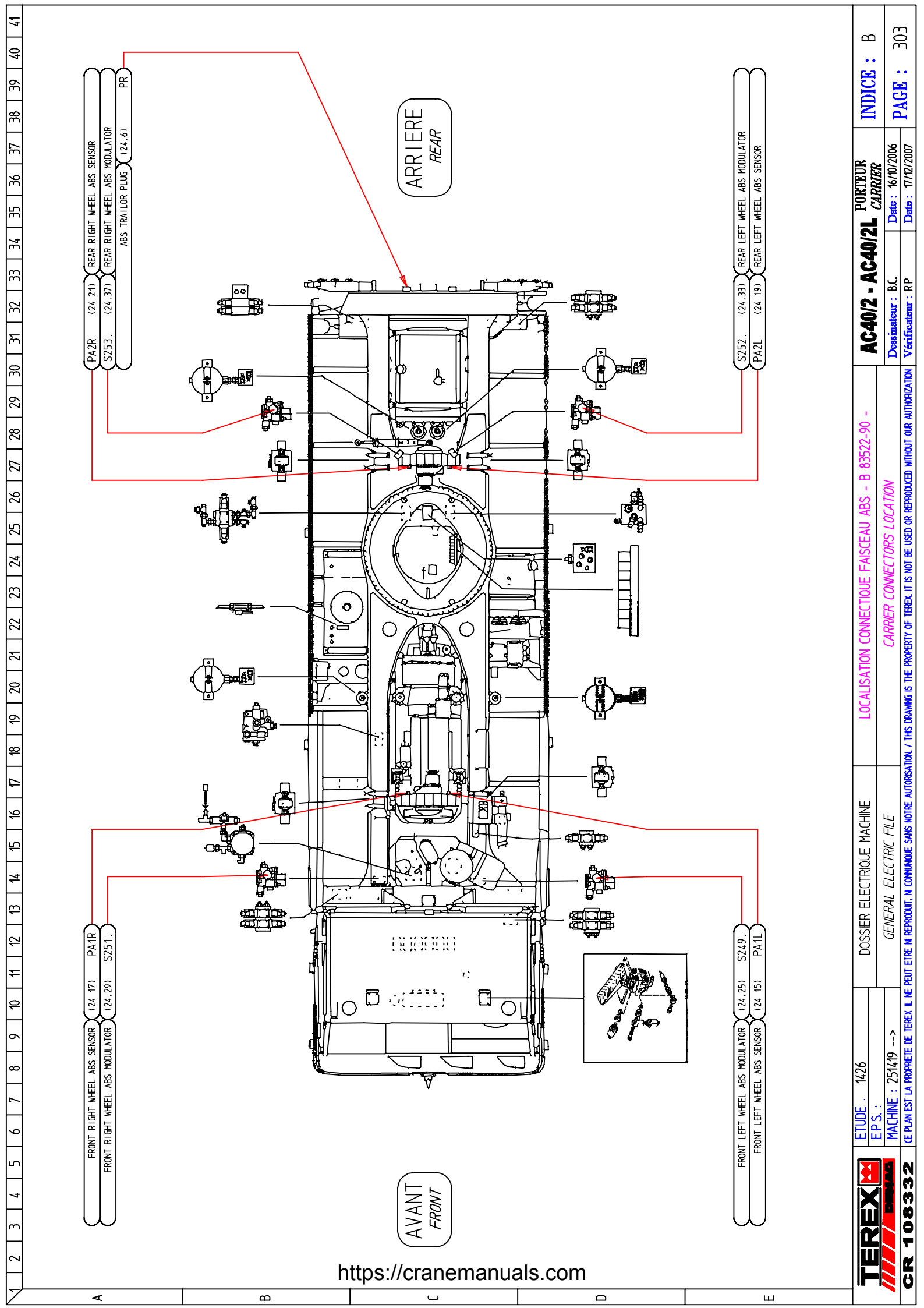


- P33 (42.5) CAB-CARRIER CONNECTION
- E32 (43.19) FRONT RIGHT SUSPENSION DOWN
- E40 (43.16) FRONT RIGHT SUSPENSION UP
- P278 (42.18) FRONT RIGHT SUSPENSION DOWN SENSOR
- P277 (42.14) FRONT RIGHT SUSPENSION UP SENSOR

- P281 (42.33) REAR RIGHT SUSPENSION UP SENSOR
- E37 (43.25) REAR LEFT SUSPENSION UP
- E38 (43.28) REAR LEFT SUSPENSION DOWN

- P276 (42.9) FRONT LEFT SUSPENSION DOWN SENSOR
- P275 (42.5) FRONT LEFT SUSPENSION UP SENSOR
- E35 (43.7) FRONT LEFT SUSPENSION UP
- E36 (43.10) FRONT LEFT SUSPENSION DOWN
- M20 BATTERIES GROUND

- E33 (43.34) REAR RIGHT SUSPENSION DOWN
- P279 (42.24) REAR LEFT SUSPENSION UP SENSOR
- E241 (34.12) DECOMPRESSION CIRCUIT SUSPENSION
- E175 (34.10) OUTRIGGERS FLOW
- P280 (42.28) REAR LEFT SUSPENSION DOWN SENSOR



FRONT RIGHT WHEEL ABS SENSOR (24.17) PAIR (24.29) S251.1

FRONT LEFT WHEEL ABS MODULATOR (24.25) S249

FRONT RIGHT WHEEL ABS MODULATOR (24.37) (24.6) PR

REAR LEFT WHEEL ABS MODULATOR (24.33) S252

REAR RIGHT WHEEL ABS MODULATOR (24.19) PA2L

FRONT RIGHT WHEEL ABS SENSOR (24.21) PA2R

REAR LEFT WHEEL ABS MODULATOR (24.33) S252

FRONT RIGHT WHEEL ABS MODULATOR (24.37) (24.6) PR

REAR LEFT WHEEL ABS MODULATOR (24.19) PA2L

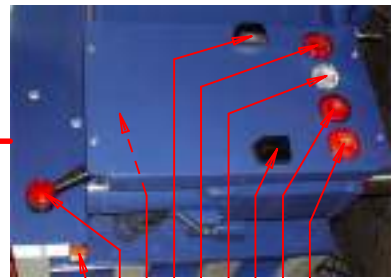
ARRIERE
REAR

AVANT
FRONT

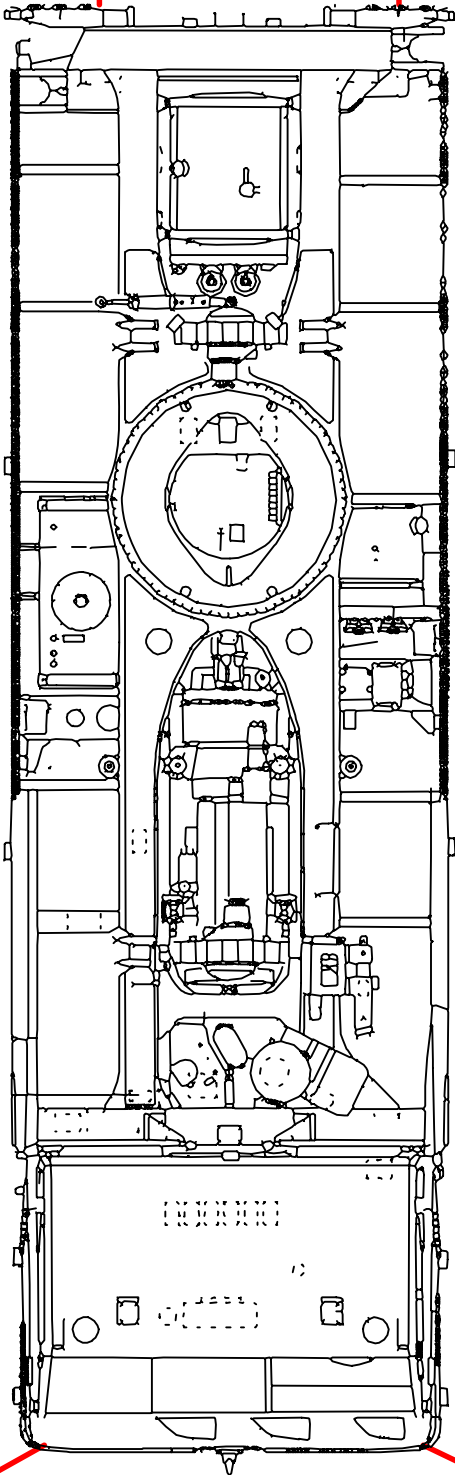
	ETUDE : 1426	DOSSIER ELECTRIQUE MACHINE	AC40/2 - AC40/2L	PORTEUR CARRIER	INDICE : B
	E.P.S. : MACHINE : 2514/9 -->	GENERAL ELECTRIC FILE	LOCALISATION CONNECTIQUE FASCEAU ABS - B 83522-90 - CARRIER CONNECTORS LOCATION	Date : 16/10/2006	PAGE : 303
CE PLAN EST LA PROPRETE DE TEREX. IL NE PEUT ETRE REPRODUIT, NI COMMUNIQUE SANS NOTRE AUTORISATION. / THIS DRAWING IS THE PROPERTY OF TEREX. IT IS NOT BE USED OR REPRODUCED WITHOUT OUR AUTHORIZATION				Date : 17/12/2007	



ARRIERE
REAR



- RIGHT OVERSIZE LIGHT (49.28) FED
- FAISCEAU PORTEUR (49.38) P53
- RIGHT LATERAL PARKING LIGHT (49.27) FLD
- RIGHT REAR BLINKER (49.38) FCD
- RIGHT STOP/LATERAL PARKING LIGHT (49.36) FPSD
- RIGHT REVERSE LIGHT (49.33) FRD
- RIGHT REAR FOG LIGHT (49.32) FBD
- REVERSE GEAR AUDIBLE ALARM (49.30) BFR



AVANT
FRONT

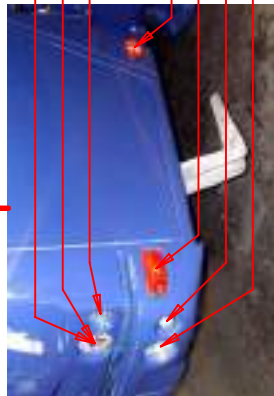
- LEFT LATERAL PARKING LIGHT (49.19) FLG
- LEFT OVERSIZE LIGHT (49.18) FEG
- FAISCEAU PORTEUR (49.7) P52
- RIGHT LICENCE PLATE LIGHT (49.16) FID
- LEFT REAR FOG LIGHT (49.13) FBG
- LEFT REVERSE LIGHT (49.12) FRG
- LEFT LICENCE PLATE LIGHT (49.15) FIG
- LEFT STOP/LATERAL PARKING LIGHT (49.9) FPSG
- LEFT REAR BLINKER (49.7) FCG

- S140 (17.27) RIGHT FRONT BLINKER
- P226 (19.37) RIGHT HIGH BEAM
- S254 (18.34) RIGHT FRONT PARKING LIGHT

- P221 (19.30) RIGHT LOW BEAM
- P223 (20.23) FRONT RIGHT FOG LIGHT
- S144 (17.29) RIGHT LATERAL BLINKER
- P214 (18.36) RIGHT LATERAL PARKING LIGHT

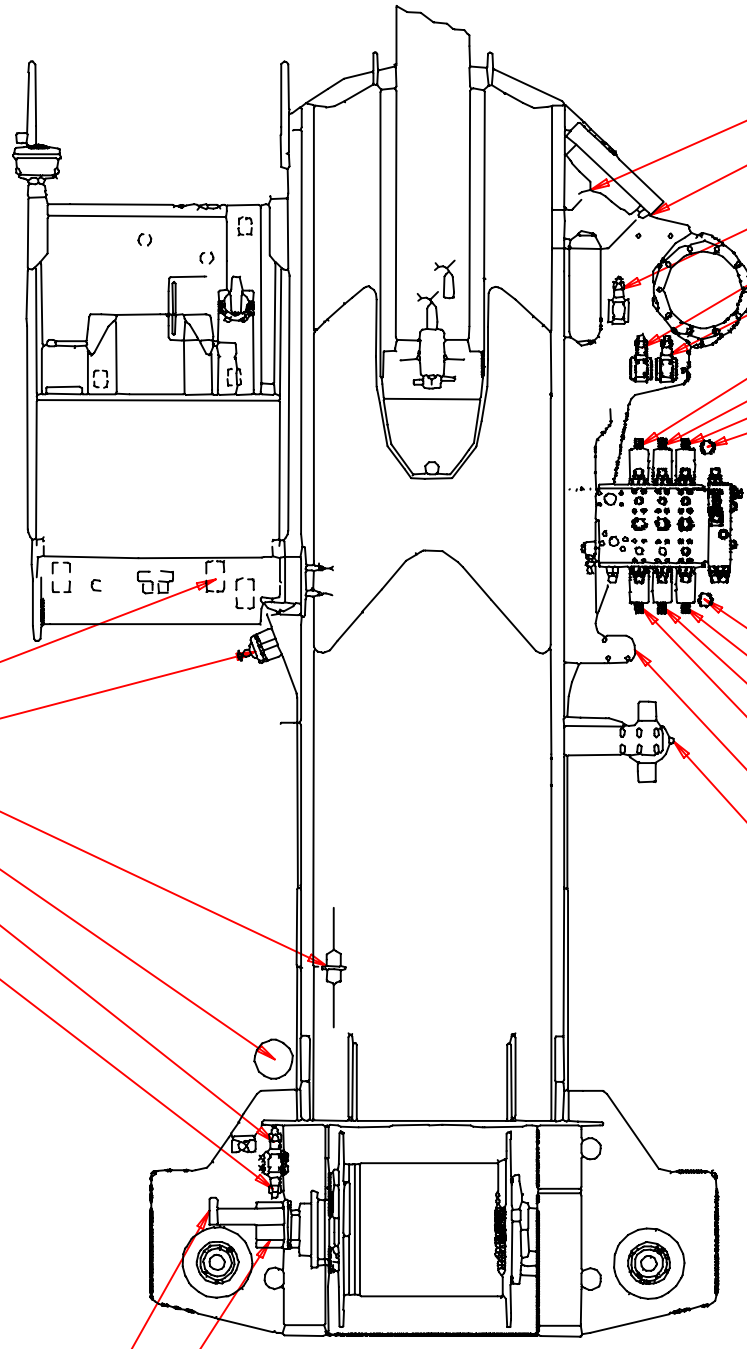
- P216 (19.39) LEFT HIGH BEAM
- S255 (18.31) LEFT FRONT PARKING LIGHT
- S141 (17.25) LEFT FRONT BLINKER

- P215 (18.32) LEFT LATERAL PARKING LIGHT
- S143 (17.23) LEFT LATERAL BLINKER
- P213 (20.21) FRONT LEFT FOG LIGHT
- P211 (19.32) LEFT LOW BEAM



	ETUDE : 1426	DOSSIER ELECTRIQUE MACHINE	AC40/2 - AC40/2L PORTEUR CARRIER	INDICE : B	
	EPS :	GENERAL ELECTRIC FILE		Date : 16/10/2006	PAGE : 304
	MACHINE : 251419 -->	GENERAL ELECTRIC FILE		Date : 17/12/2007	
CE PLAN EST LA PROPRETE DE TEREX. IL NE PEUT ETRE NI REPRODUIT, NI COMMUNIQUE SANS NOTRE AUTORISATION. / THIS DRAWING IS THE PROPERTY OF TEREX. IT IS NOT BE USED OR REPRODUCED WITHOUT OUR AUTHORIZATION.					
LOCALISATION CONNECTIQUE J82522-83 - K82522-84 CARRIER CONNECTORS LOCATION					
CR 108332					

- CONNECTEUR CABINE-TOURELLE (70.6) P60
- SLEWING LOCKING SENSOR (77.8) S97
- TURRET-BOOM CONNECTION (70.10) P68
- S74 (75.29) WINCH SENSOR
- S86 (70.18) CW LOCK / RELEASE FLAG LIGHTING
- ROTATING BEACON (70.6) S111
- COUNTERWEIGHT LOCKING (72.31) E103
- COUNTERWEIGHT RELEASING (72.28) E104



- OIL FILTER CLOGGING SENSOR (63.10) S116
- TURRET GROUND (60.33) M10
- BOOM HOIST DOWN (76.29) PRD
- WINCH UP (76.32) PL1M
- TELESCOPE EXTENSION (76.27) PTS
- TELESCOPE EXTENSION SENSOR (78.26) PCTS

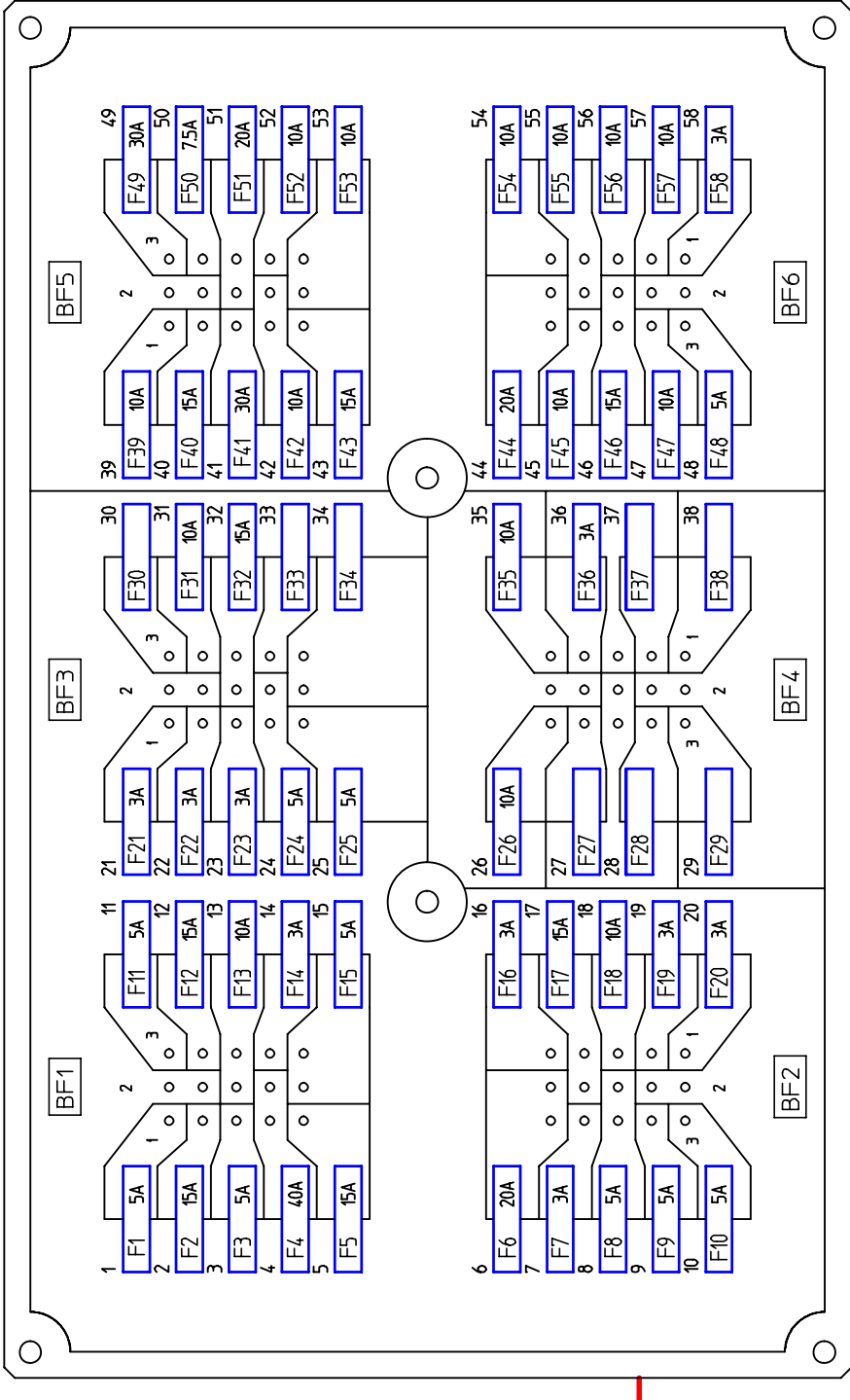
- B250 (71.23) HYDRAULIC OIL COOLER
- S117 (71.17) HYDRAULIC OIL COOLER SENSOR
- E105 (77.36) ROTATION BRAKE RELEASING
- E75 (77.21) AUXILIARY WINCH
- E74 (77.23) AUXILIARY WINCH
- PRM (76.19) BOOM HOIST UP
- PL1D (75.23) WINCH DOWN
- PTR (76.71) TELESCOPE RETRACTION
- PCTR (78.30) TELESCOPE RETRACTION SENSOR

<https://cranemanuals.com>

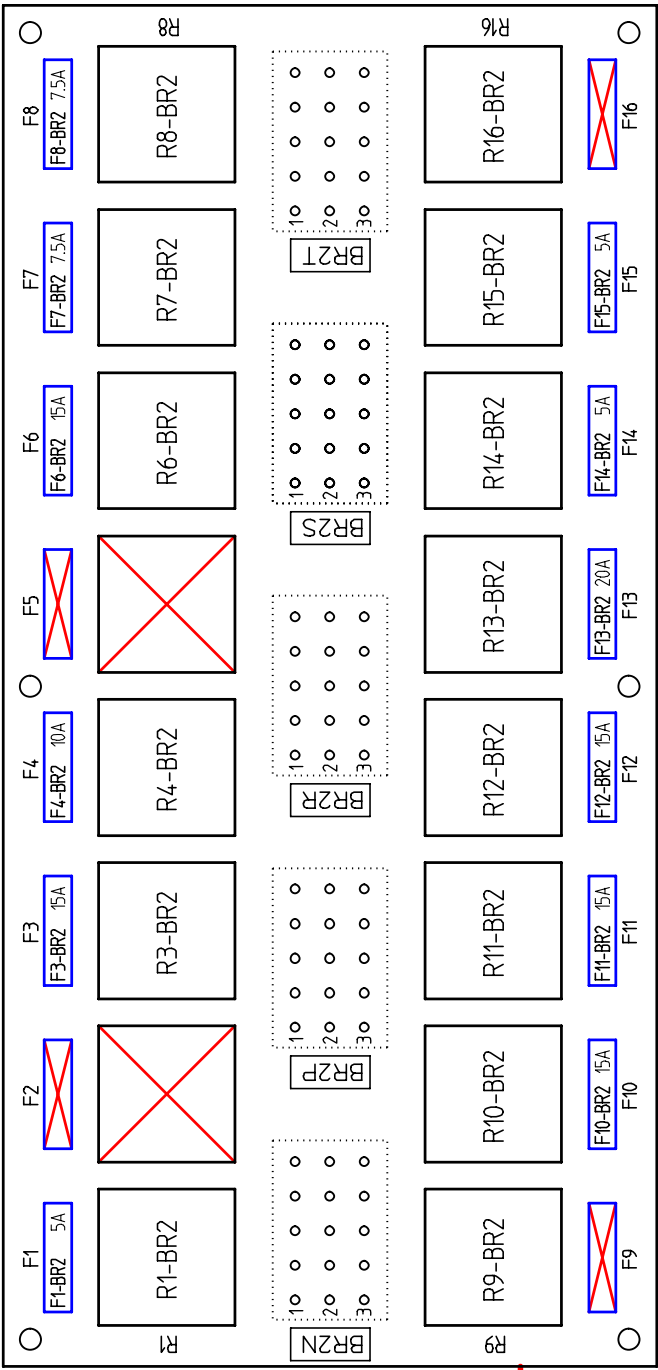
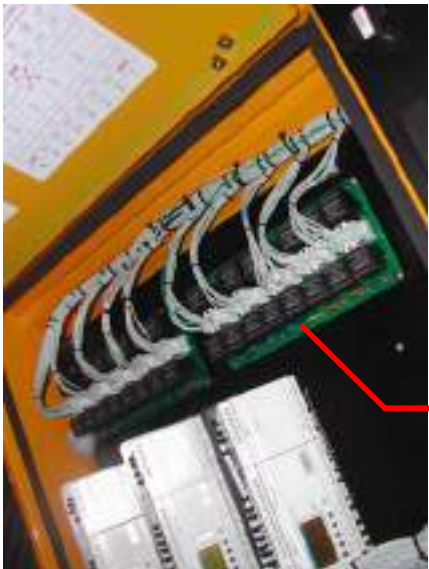


CR 108332

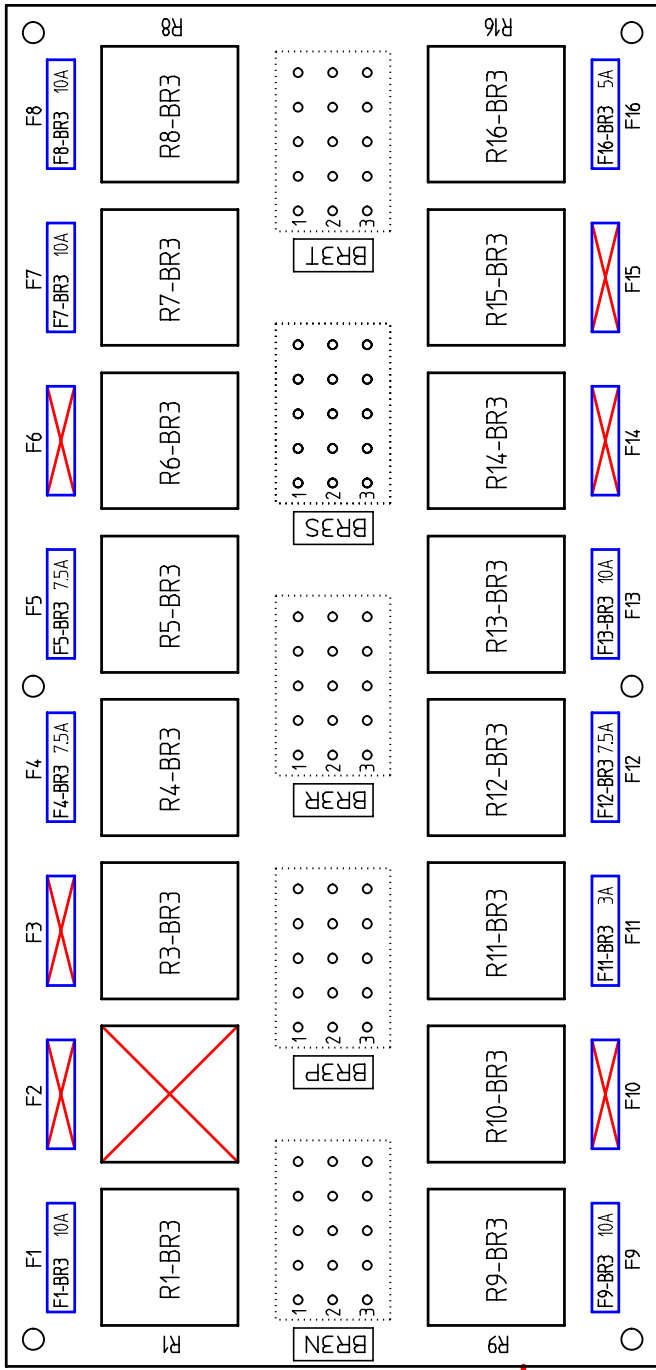
ETUDE : 1426 DOSSIER ELECTRIQUE MACHINE LOCALISATION CONNECTIQUE FAISCEAU TOURELLE - J 83522-05 -
 EPS : MACHINE : 251419 --> GENERAL ELECTRIC FILE TURRET CONNECTORS LOCATION
 CE PLAN EST LA PROPRIETE DE TEREX. IL NE PEUT ETRE NI REPRODUIT, NI COMMUNIQUE SANS NOTRE AUTORISATION. / THIS DRAWING IS THE PROPERTY OF TEREX. IT IS NOT BE USED OR REPRODUCED WITHOUT OUR AUTHORIZATION



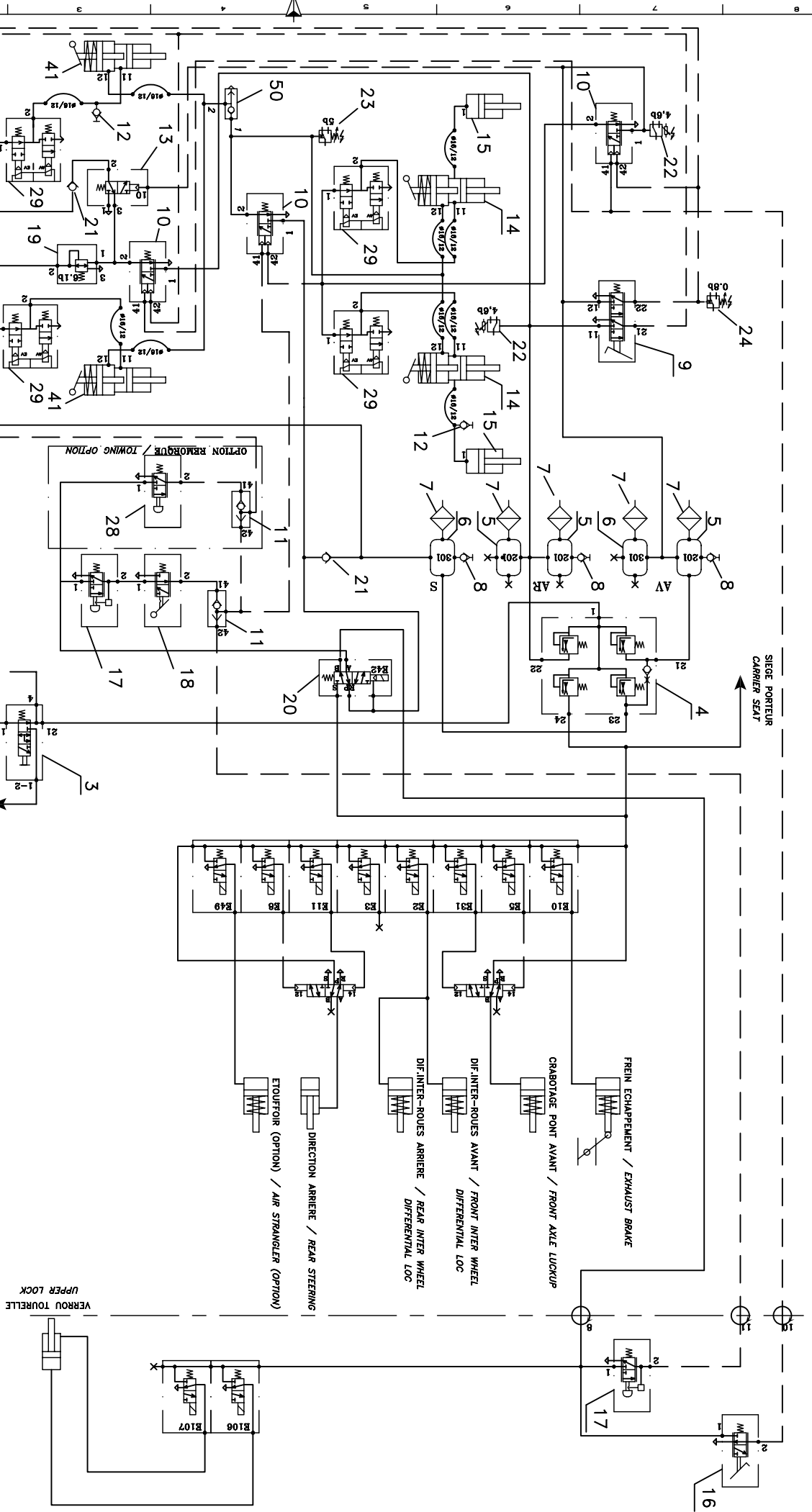
<https://cranemanuals.com>



ITEM	FUNCTIONS	ITEM	FUNCTIONS
F1 - R1	REAR STEERING RELEASING	R9	AUDIBLE ALARM CUT OFF RELAY
F2 - R2		F10 / R10	AIR CONDITION MOTOR
F3 / R3	HORN	F11 / R11	AIR CONDITION COMPRESSOR
F4 / R4	STOP LIGHTS	F12 / R12	LOW BEAM
F5 / R5		F13 / R13	HIGH BEAM
F6 / R6	FRONT FOG LIGHTS	F14 / R14	LEFT REAR STEERING
F7 / R7	REAR FOG LIGHTS	F15 / R15	RIGHT REAR STEERING
F8 / R8	REVERSE LIGHTS	R16	TURRET GENERAL WARNING



ITEM	FUNCTIONS	ITEM	FUNCTIONS
F1 / R1	RED FUEL SELECTION	F9 / R9	TURRET AIR POWER
F2 - R2		R10	ENGINE ON
R3	MAIN SWITCH	F11 / R11	ENGINE ON
F4 - R4	REAR SUSPENSION RELEASING	F12 / R12	ZF HARNESS POWER
F5 / R5	FRONT SUSPENSION RELEASING	F13 / R13	CARRIER TRANSMISSION CONTROL NEUTRAL
R6	GEAR BOX NEUTRAL	R14	TURRET TRANSMISSION CONTROL NEUTRAL
F7 / R7	OUTRIGGERS FLOW	R15	GEAR BOX NEUTRAL
F8 / R8	ABS ACTIVATED	F16 / R16	SPEED > 15 KM/H

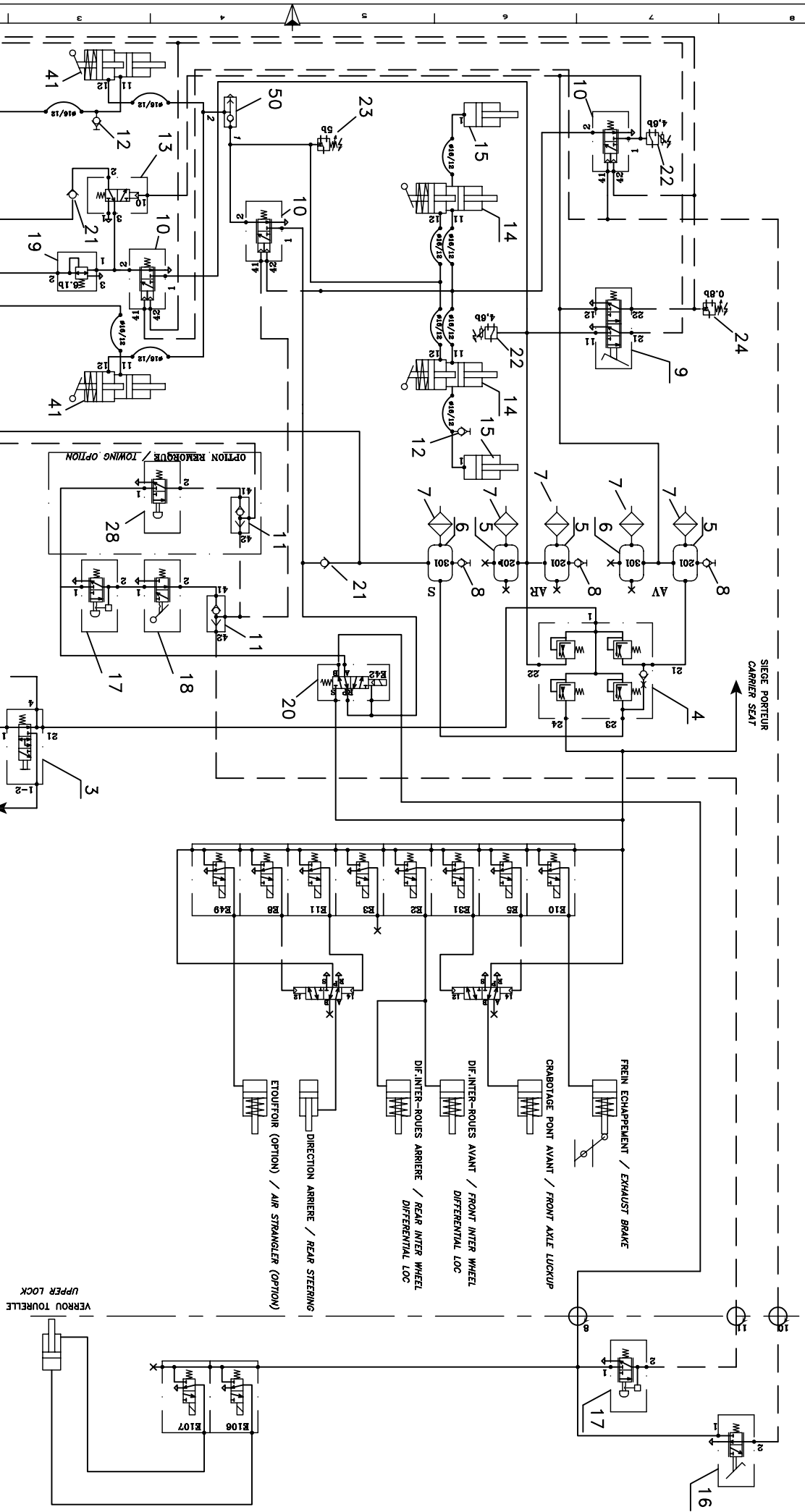


SORTIE CONFLAGE
INFLATION PLUG

SIÈGE PORTEUR
CARRIER SEAT

03/03	RAULT	CREATION SERIE	10808	-	-
DATE	NOM / NAME	ETAT AVANT MODIFICATION / AS BEFORE MODIFICATION	MODIF	REP	QUANT
C.D.G. :	B.D.Q./hydraulique/quadra-				
POIDS CALC./WEIGHT:	KG				
PIECE BRUTE :					
MATIERE :					
VERIFIE LE 07/01/03 PAR MERLIN					
FEUILLE/HEET/FEH/SCALE	1/1	A2	CT	CR-107888	

SCHEMA PNEUMATIQUE QUADRAL ABS
EVOLUTION 3

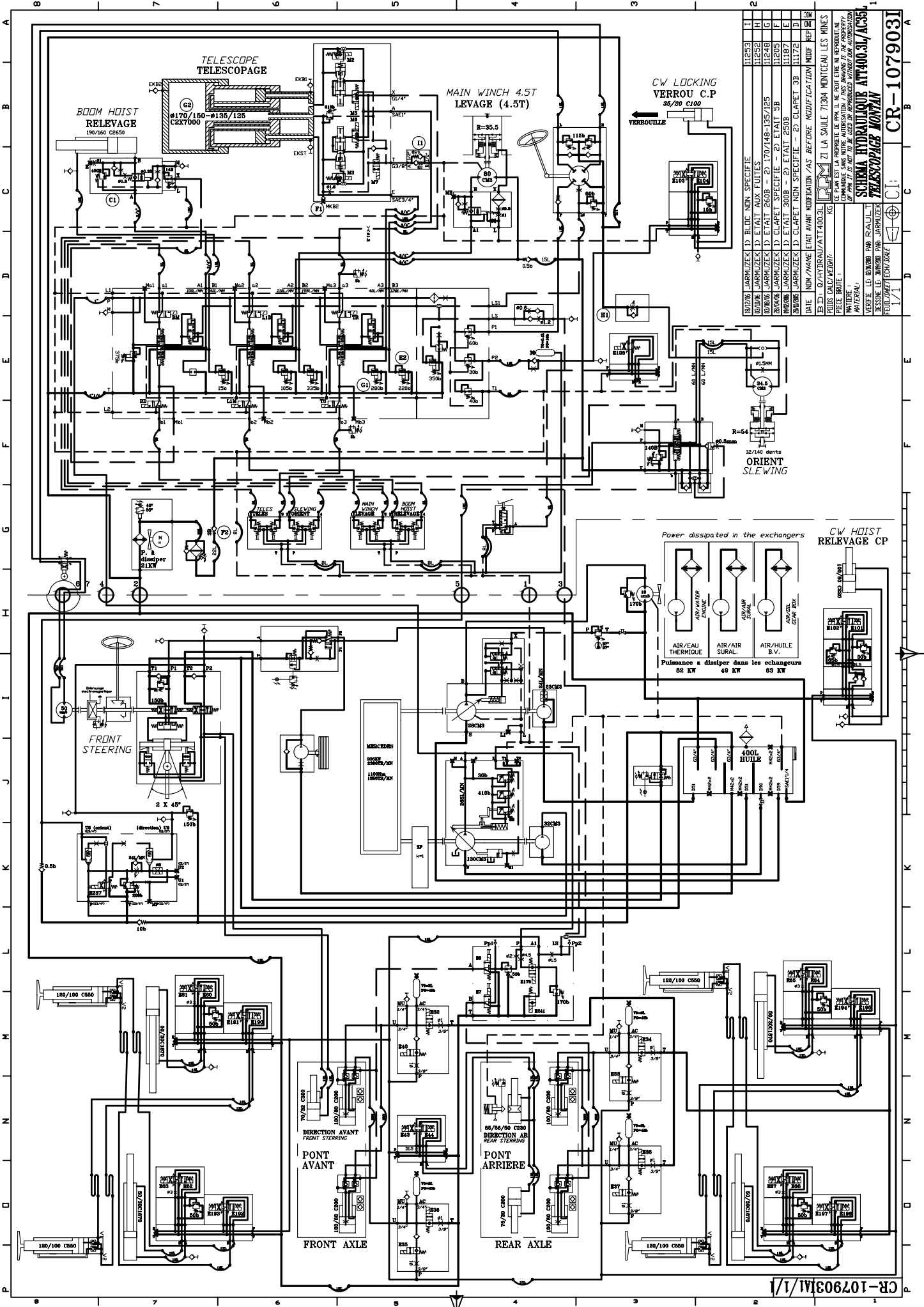


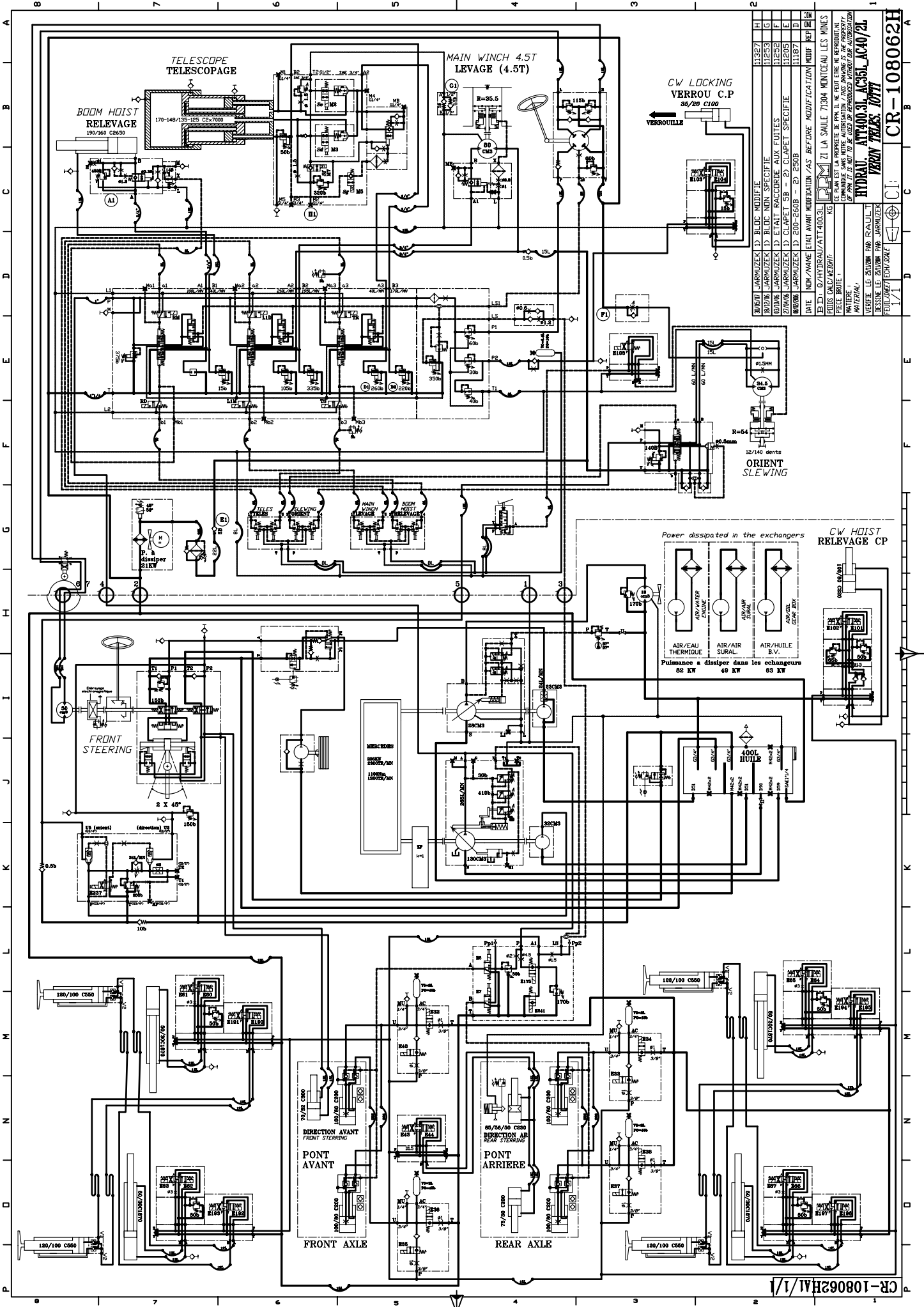
SORTIE GONFLAGE
INFLATION PLUG

SIÈGE PORTEUR
CARRIER SEAT

03/03	RAULT	CREATION SERIE	10808	-	-
DATE	NOM /NAME	ETAT AVANT MODIFICATION /AS BEFORE MODIFICATION	MODIF	REP	EN
C.D.G. :	B.D.G./hy/orau/quadra	KG			
PIEDS CAL.C/WEIGHT:					
PIECE BROTE :					
MATERIE :					
VERIFIE LE: 07/03 PAR MERLIN					
DESSINE LE: 07/03 PAR RAULT					
FEUILLE/ECH./SCALE	1/1	A2			
CI:					
CR-107889					

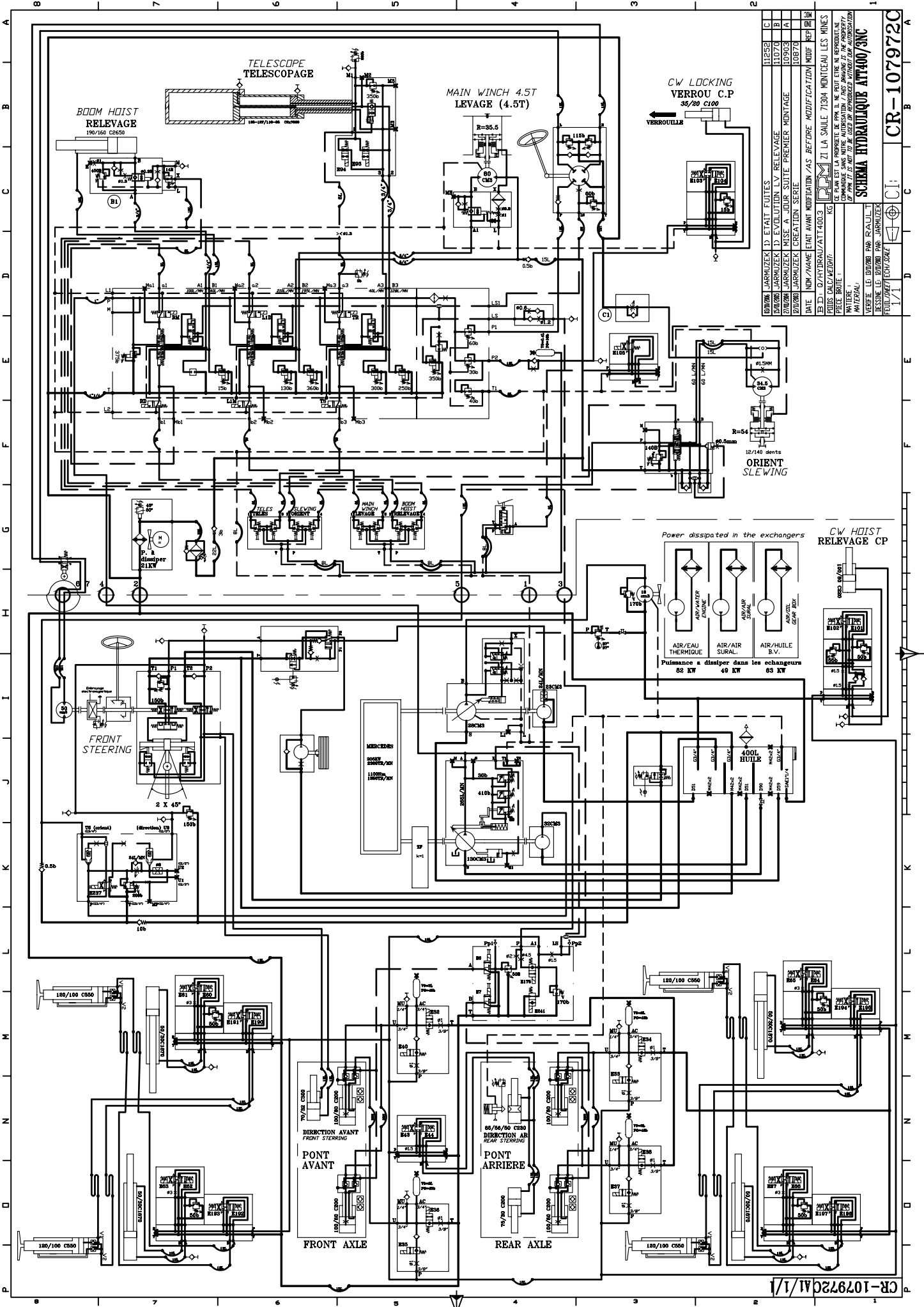
SCHEMA PNEUMATIQUE QUADRAL
EVOLUTION 3





NO	DESIGNATION	REVISION	DATE
1027	1		
1028	2		
1029	3		
1030	4		
1031	5		
1032	6		
1033	7		
1034	8		
1035	9		
1036	10		
1037	11		

1. NOM / NAME: EMI AVANT MODIFICATION VAS
 2. D. D. HYDRAULIC ATT 400.3L
 3. LES ALIQUOTS LA PROPRIETE DE EMI IL NE PEUT ETRE REPRODUIT NI
 4. COMMUNIQUE SANS NOTRE AUTORISATION / THIS DRAWING IS THE PROPERTY
 5. OF EMI IT IS NOT TO BE USED OR REPRODUCED WITHOUT OUR PERMISSION
 6. MATERIAU: HYDRAULIC ATT 400.3L AC35L AC40/2L
 7. VERREUILLE: VERROU C.P 36/20 C100
 8. FEUILLE: CR-108062H/1/1

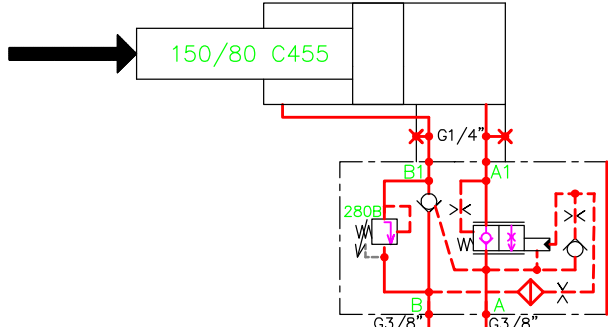


CR-1079720

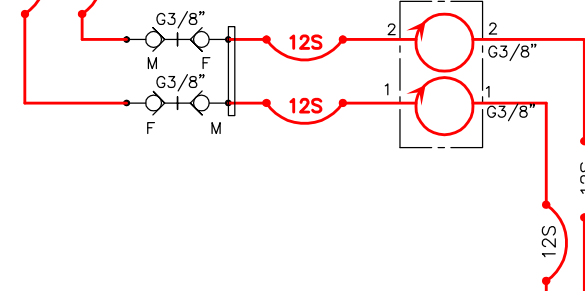
CR-1079720M/1/1

CR108242A A2/1/1

RELEVAGE FLECHETTE

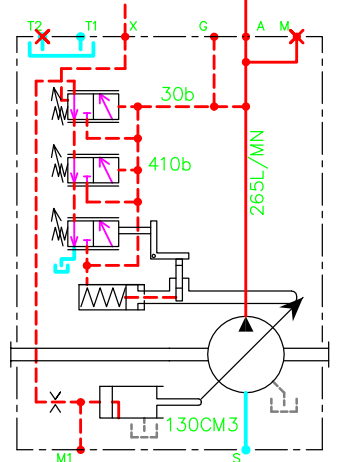
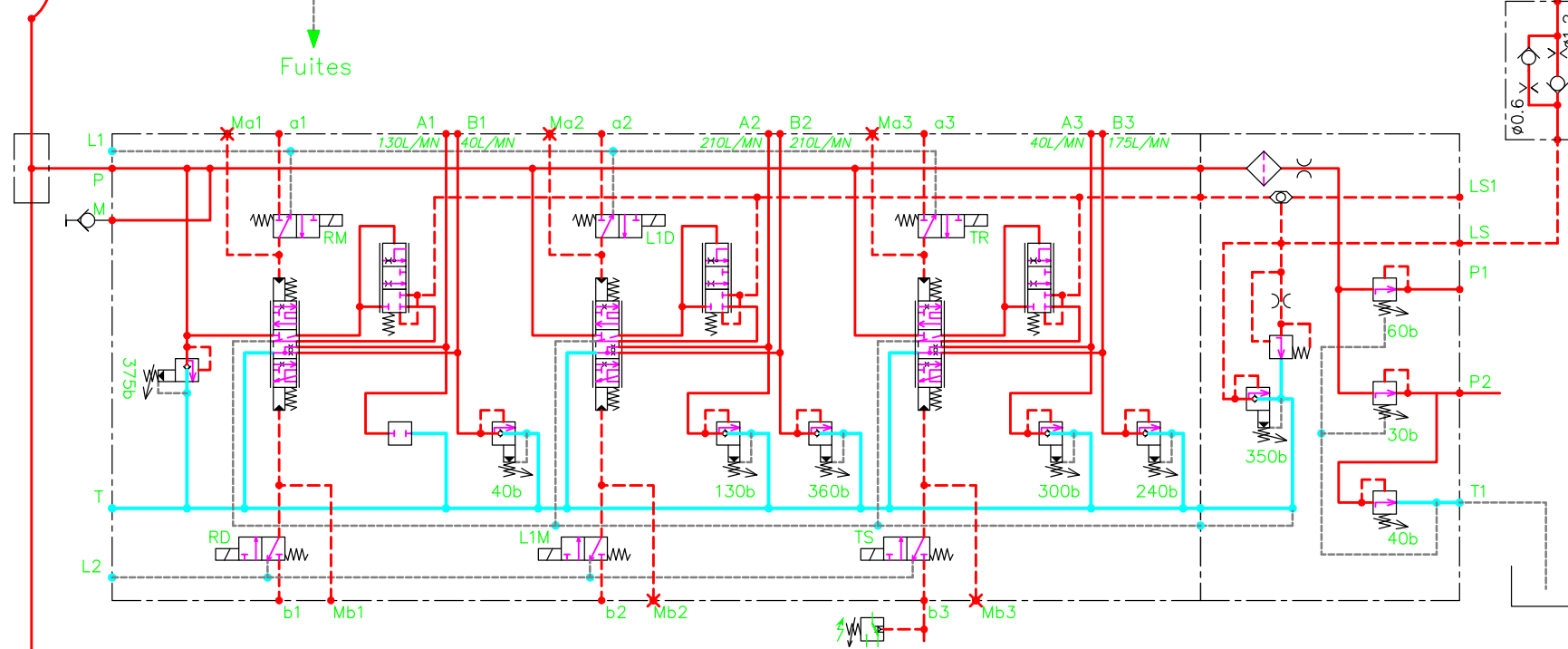


ENROULEUR

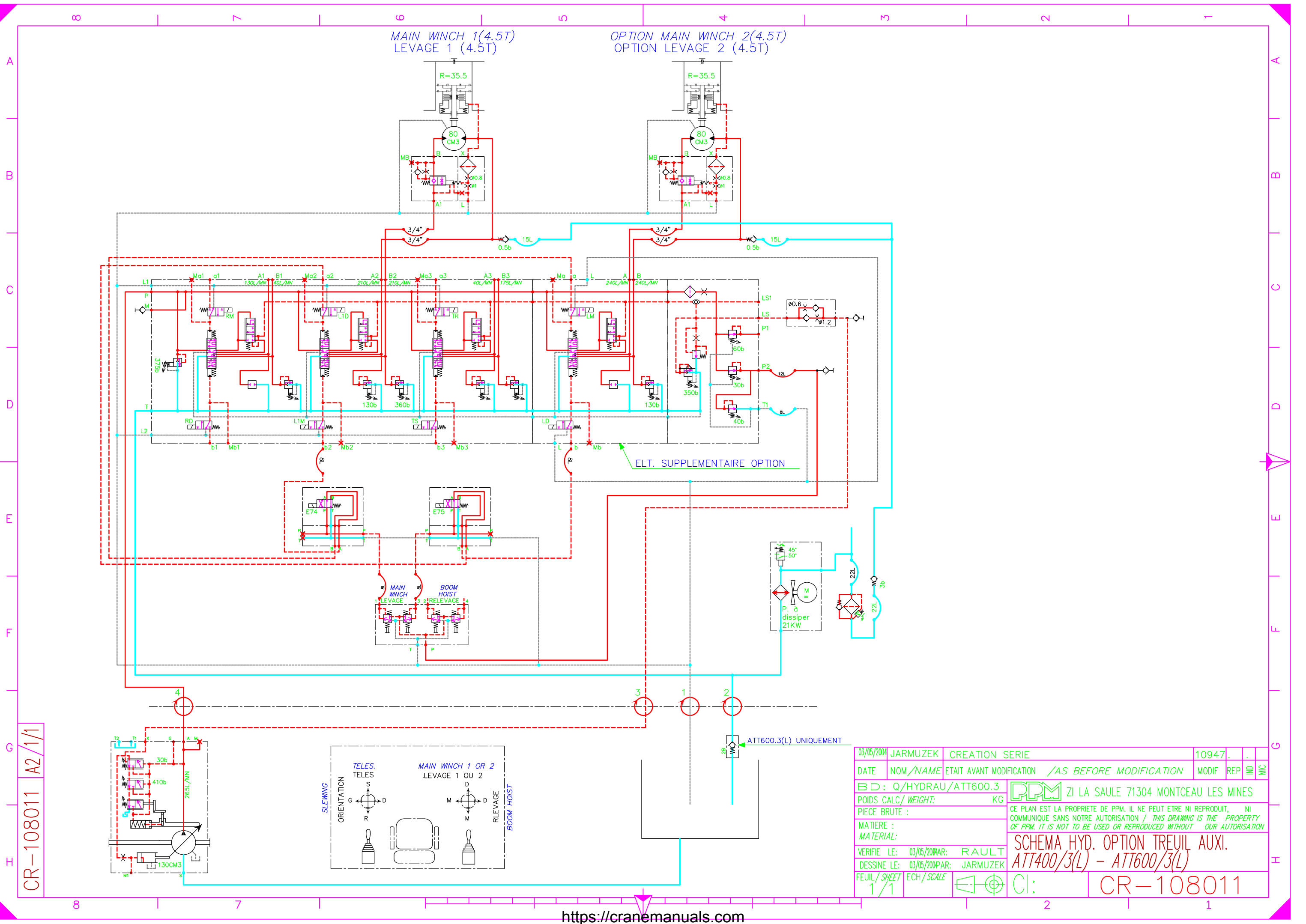


Pmax=375b

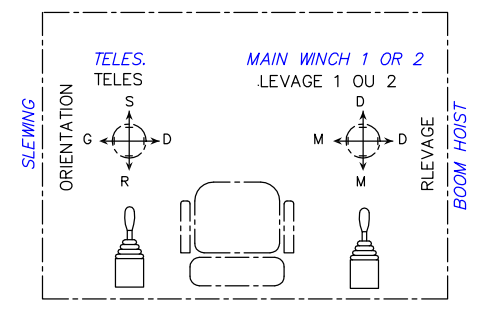
BLOC ALIMENTATION



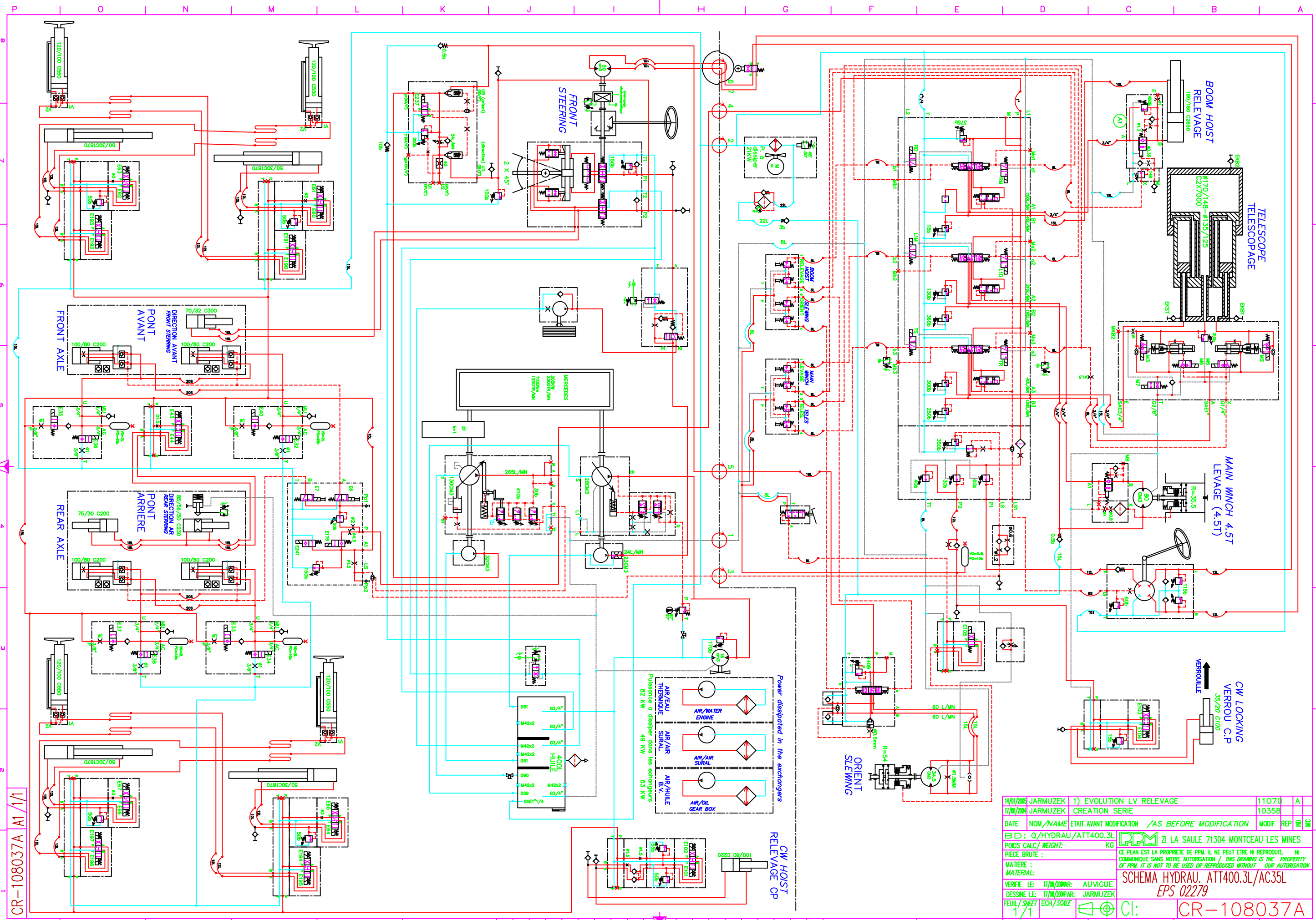
24/07/06	JARMUZEK	CREATION SERIE	11246	A
DATE	NOM/NAME	ETAIT AVANT MODIFICATION /AS BEFORE MODIFICATION	MODIF	REP
BD: Q/hydrau/OPTION FLE		PPM ZI LA SAULE 71304 MONTCEAU LES MINES		
POIDS CALC/WEIGHT:		KG		
PIECE BRUTE :		CE PLAN EST LA PROPRIETE DE PPM. IL NE PEUT ETRE NI REPRODUIT, NI COMMUNIQUE SANS NOTRE AUTORISATION / THIS DRAWING IS THE PROPERTY OF PPM. IT IS NOT TO BE USED OR REPRODUCED WITHOUT OUR AUTORISATION		
MATERIE :		SCHEMA HYD. OPTION RELEV. FLECHETTE		
MATERIAL:		AC35 - AC55.1 - AC55L		
VERIFIE LE:	PAR:	CI:		
DESSINE LE: 24/07/2006	PAR: JARMUZEK	CR-108242A		
FEUIL/SHEET	ECH/SCALE	1/1		



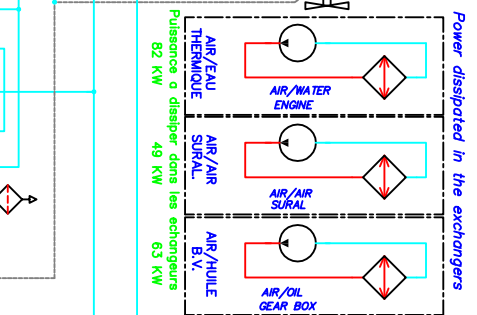
CR-108011 A2/1/1



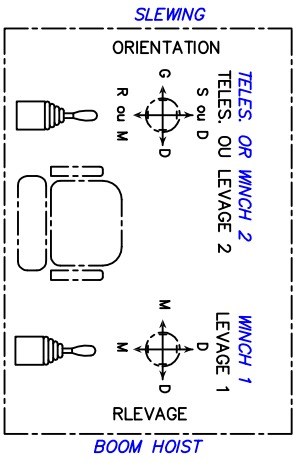
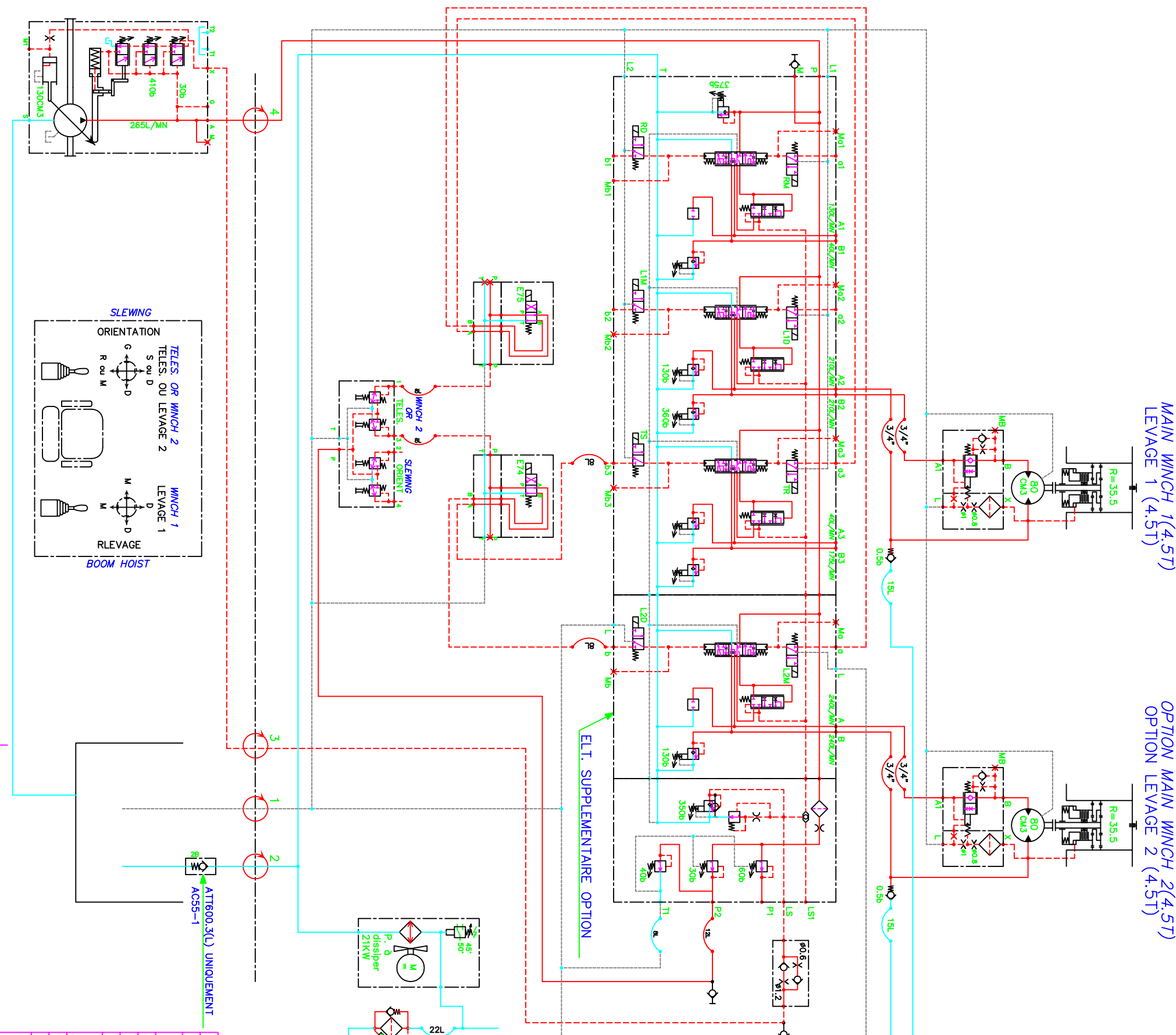
03/05/2004	JARMUZEK	CREATION SERIE	10947		
DATE	NOM/NOME	ETAIT AVANT MODIFICATION /AS BEFORE MODIFICATION	MODIF	REP	IND
BD : Q/HYDRAU/ATT600.3		PPM ZI LA SAULE 71304 MONTCEAU LES MINES			
POIDS CALC/ WEIGHT: KG		CE PLAN EST LA PROPRIETE DE PPM. IL NE PEUT ETRE NI REPRODUIT, NI COMMUNIQUE SANS NOTRE AUTORISATION / THIS DRAWING IS THE PROPERTY OF PPM. IT IS NOT TO BE USED OR REPRODUCED WITHOUT OUR AUTORISATION			
PIECE BRUTE :		SCHEMA HYD. OPTION TREUIL AUXI.			
MATIERE :		ATT400/3(L) - ATT600/3(L)			
MATERIAL:		Cl:			
VERIFIE LE: 03/05/2004	PAR: RAULT				
DESSINE LE: 03/05/2004	PAR: JARMUZEK				
FEUIL/SHEET 1/1	ECH/SCALE				



CR-108037A A1/1/1

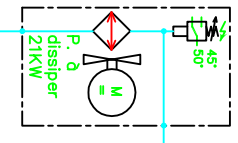


14/01/2008	JARMUZEK	1) EVOLUTION LV RELEVAGE	11070	A
17/08/2004	JARMUZEK	CREATION SERIE	10358	
DATE	NOM/NAME	ETAT AVANT MODIFICATION /AS BEFORE MODIFICATION	MODIF	REP
E B D : Q/HYDRAU/ATT400.3L				
POIDS CALC/ WEIGHT:			KG	
PIECE BRUTE :				
MATERIE :				
VERIFIE LE: 17/08/2004 PAR: AUVIGUE				
DESSINE LE: 17/08/2004 PAR: JARMUZEK				
FEUIL/ SHEET ECH/SCALE				
SCHEMA HYDRAU. ATT400.3L/AC35L				
EPS 02279				
CI:			CR-108037A	



ATT600.3(L) UNIQUEMENT
ACS5-1

ELT. SUPPLEMENTAIRE OPTION



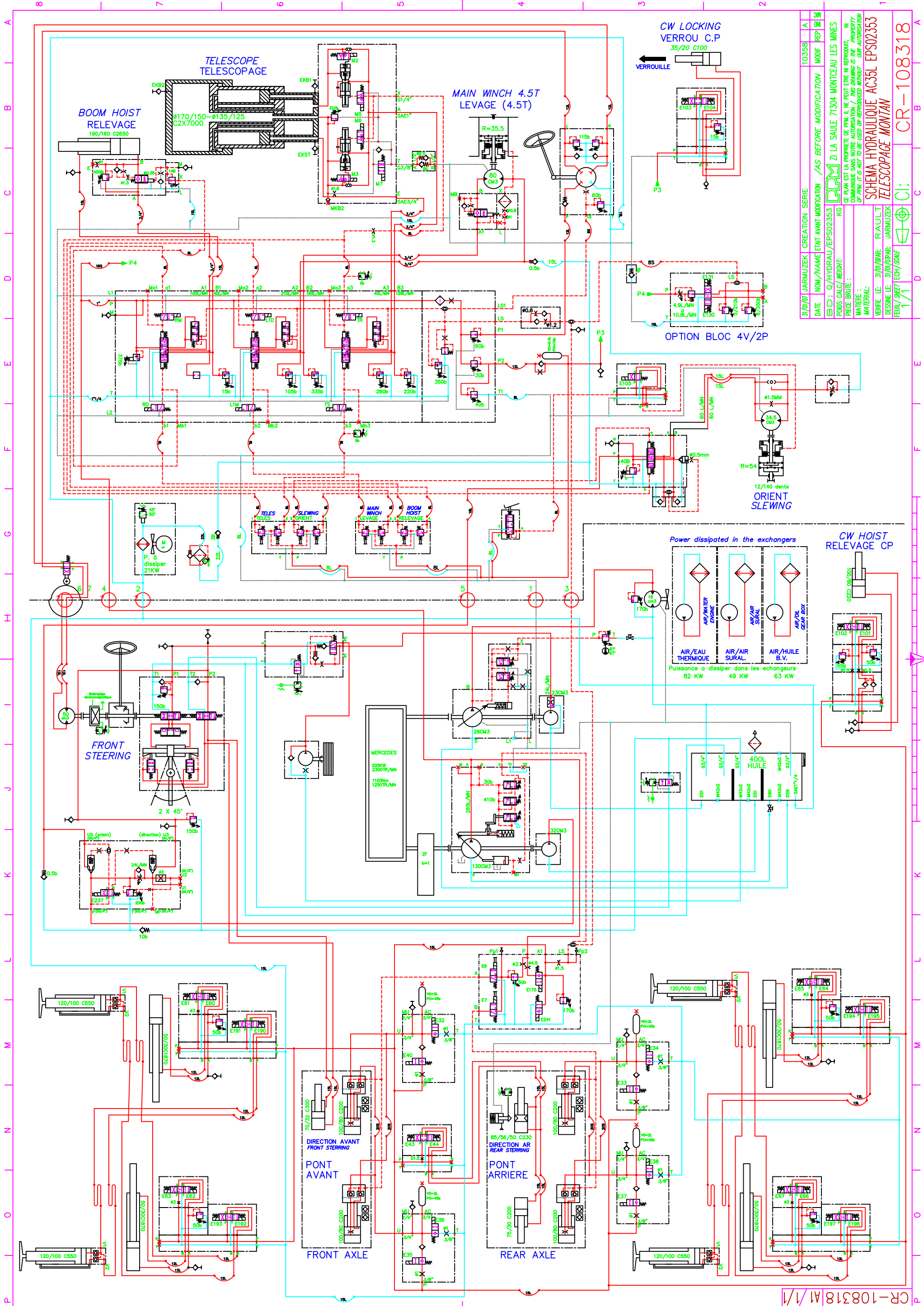
26/07/2006	JARMUZEK	MISE A JOUR SCHEMA	11264	A
05/07/2006	JARMUZEK	CREATION SERIE	10358	A
BD :	Q/HYDRAU/ATT600.3			
POIDS CALC/WEIGHT:	KG			
PIECE BRUTE :				
MATERIE :				
MATERIAL:				
VERIFIE LE:	03/07/2006AR:	CABOCHE		
DESSINE LE:	03/07/2006AR:	JARMUZEK		
FEUIL/SHEET ECH/SCALE	1/1			

CE PLAN EST LA PROPRIETE DE PPM. IL NE PEUT ETRE NI REPRODUIT, NI COMMUNIQUE SANS NOTRE AUTORSISATION / THIS DRAWING IS THE PROPERTY OF PPM. IT IS NOT TO BE USED OR REPRODUCED WITHOUT OUR AUTORSISATION

PPM ZI LA SAULE 71304 MONTCEAU LES MINES

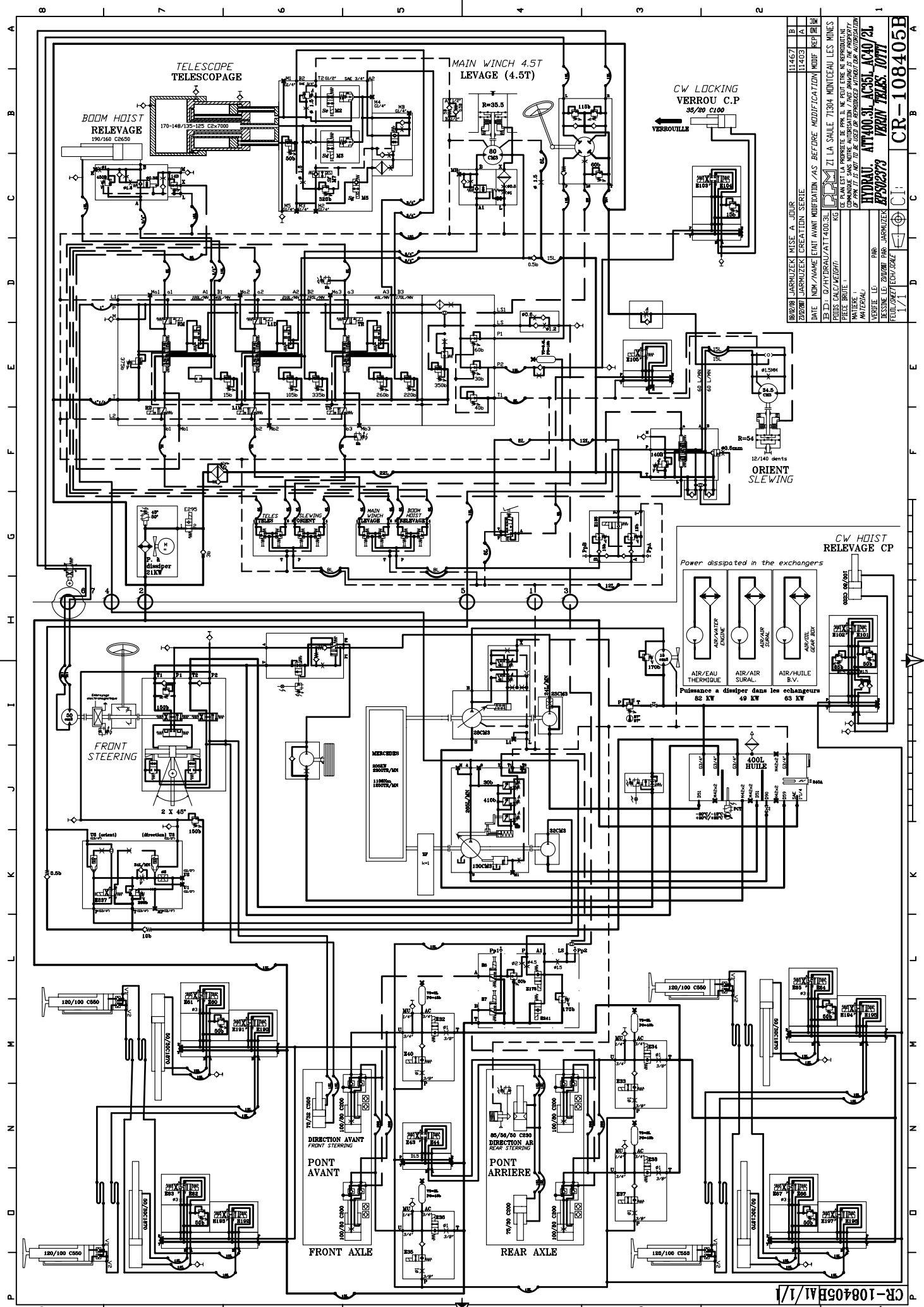
OPTION TREUIL AUXI. CDE SIMULTA.
EPS02305 (ACS5(L)-ACS5(L)-ACS5-1)

CI: CR-108120A

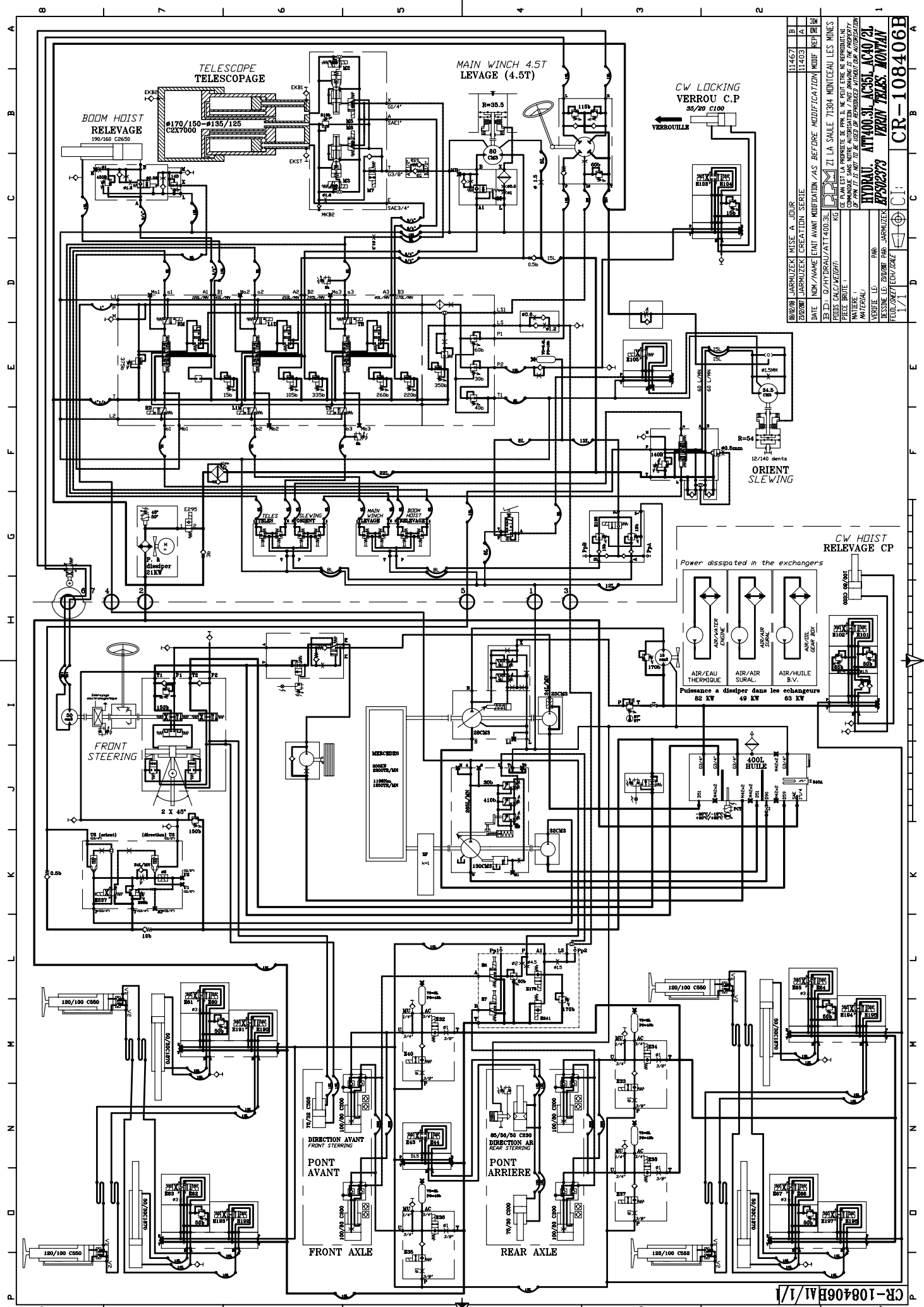


DATE	31/01/07	JARMUZEK	CREATION	SERIE	10358	A
NOM/NAME	EITAIT AVANT MODIFICATION /AS BEFORE MODIFICATION /AS					
MODIF	REP					
ED	O/HYDRAU/EPS02353					
POIDS CALC/ WEIGHT	KG					
PIECE BRUTE	CE PLAN EST LA PROPRIETE DE PPM IL NE PEUT ETRE REPRODUIT NI COMMUNIQUE SANS NOTRE AUTORISATION / THIS DRAWING IS THE PROPERTY OF PPM IT IS NOT TO BE USED OR REPRODUCED WITHOUT OUR AUTORIZATION					
MATIERE	SCHEMA HYDRAULIQUE AC35L EPS02353					
VERITE LE	31/01/07PAP: RAULT					
DESSINE LE	31/01/07PAP: JARMUZEK					
FEUIL/ SHEET	ECH/ SCALE					
	1/1					

CR-108318 A1/1



DATE	11/46/7	B
11/40/3	A	
8/2/78 LARNUZEK MISE A JOUR 20/2/01 LARNUZEK CREATION SERIE 20/2/01 LARNUZEK CREATION SERIE		
ZI LA SAULE 71304 MONTEAU LES MINES CE PLAN EST LA PROPRIETE DE PNM. NE PUT ETRE REPRODUIT NI COMMUNIQUE SANS NOTRE AUTORISATION / NE PAS ETRE REPRODUIT NI COMMUNIQUE SANS NOTRE AUTORISATION / NE PAS ETRE REPRODUIT NI COMMUNIQUE SANS NOTRE AUTORISATION / NE PAS ETRE REPRODUIT NI		
VERITE LE	DIS	
REVISION	20/08/88	PAR LARNUZEK
REVISION	10/07/87	PAR LARNUZEK
HYDRAU. ATT400.3L AC35L AC40/2L P252273 P252273		
		CR-108405B



8/2/78	LARNUIZEK	MISE A JOUR	11467	B
20/07/01	LARNUIZEK	CREATION SERIE	11403	A
DATE / NOM / N° DE LA PROPRETE DE FON. N° DE PROJET EN REPOURTI EN FEUILLE BRUTE 1				
21 LA SAULE 71304 MONTCEAU LES MINES C.D. HYDRAUL/ATT1400.3L C.D. PLAN EST LA PROPRETE DE FON. N° DE PROJET EN REPOURTI EN COMPAGNE SANS N°RE AUTRESERIE / N°RE PLANING IS. THE PROPERTY OF FON. N° DE PROJET EN REPOURTI EN REPOURTI EN MATERIAU:				
HYDRAU: ATT1400.3L AC35L AC4072L VERITE LE DIS 20/08/08 PDR LARNUIZEK EQUIP/PROJ/REV/DATE: PPS29273				
				CR-108406B