

UNIC

**MINI
CRAWLER
CRANE**



UNIC MINI CRAWLE



UNIC mini crawler crane is incredibly compact and useful lifting equipment.



UNIC is **Compact**

UNIC mini crawler cranes are excellent lifting equipment that quickly, safely and easily meets all of restricted and confined area lifting requirements.



UNIC is **Powerful**

UNIC mini crawler cranes are powerful lifting tools in confined area where no other lifting equipments could have gone before.



UNIC is **Clean**

UNIC mini crawler cranes with electric power option are ideal for working indoors where exhaust fumes are strictly restricted. Electric motor cuts down the pollution and noise levels to a minimum.

R CRANE



URW295CP2AMRS

UNIC MINI CRAWLER CRANE

LINE-UP



URW094C

Max. lifting capacity	0.995t × 1.5m
Max. working radius	5.17m
Max. hook height	5.6m (Approx.)
Dimensions	(W) 595mm
	(H) 1290mm
	(L) 1870mm
Mass of crane	1000kg



URW295C

Max. lifting capacity	2.93t × 1.4m
Max. working radius	8.41m
Max. hook height	8.8m (Approx.)
Dimensions	(W) 600mm
	(H) 1375mm
	(L) 2690mm*
Mass of crane	1850kg*

*Petrol engine model



URW376C

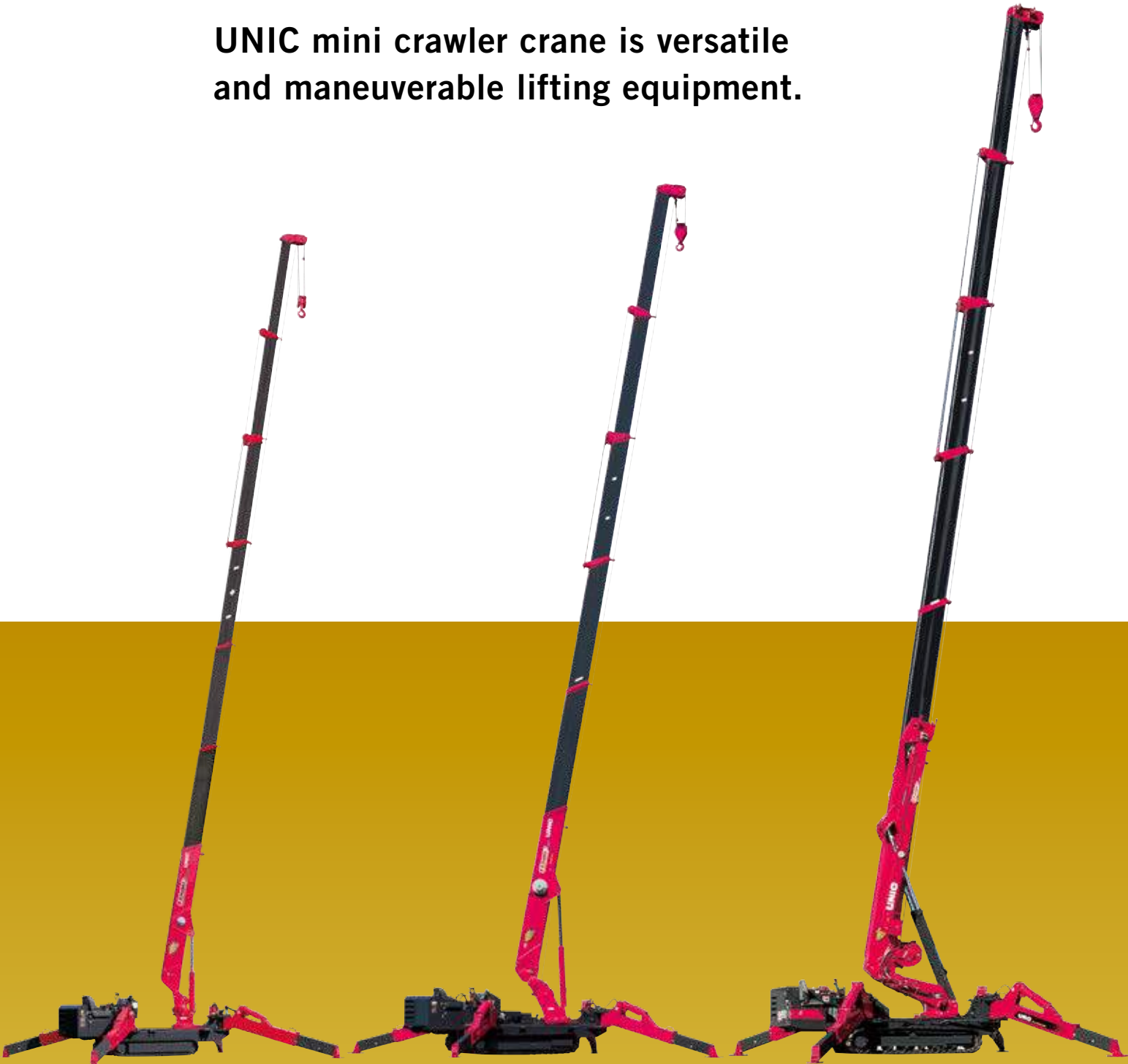
Max. lifting capacity	3.03t × 2.5m
Max working radius	14.45m
Max hook height	14.9m (Approx.)
Dimensions	(W) 1300mm
	(H) 1805mm
	(L) 4340mm
Mass of crane	3870kg



URW546C

Max. lifting capacity	4.05t × 2.5m
Max. working radius	15.52m
Max. hook height	16.0m (Approx.)
Dimensions	(W) 1380mm
	(H) 2035mm
	(L) 4870mm
Mass of crane	4930kg

UNIC mini crawler crane is versatile and maneuverable lifting equipment.



URW547C

Max. lifting capacity	4.05t × 2.5m
Max. working radius	17.83m
Max. hook height	18.2m (Approx.)
Dimensions	(W) 1380mm (H) 1980mm (L) 4950mm
Mass of crane	5070kg



URW706C

Max. lifting capacity	6.05t × 3.0m
Max. working radius	18.60m
Max. hook height	19.5m (Approx.)
Dimensions	(W) 1670mm (H) 2190mm (L) 5610mm
Mass of crane	7990kg

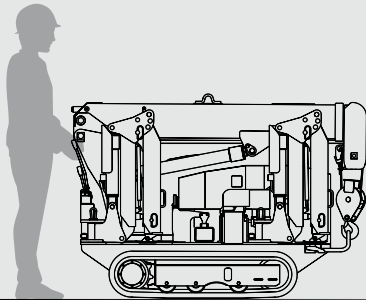


URW1006C

Max. lifting capacity	10.14t × 3.0m
Max. working radius	21.93m
Max. hook height	22.8m (Approx.)
Dimensions	(W) 2000mm (H) 2460mm (L) 6060mm
Mass of crane	13840kg

URW094C

URW094C is the smallest mini crawler crane in the range.



Max.
0.995t
× 1.5m
Lifting capacity

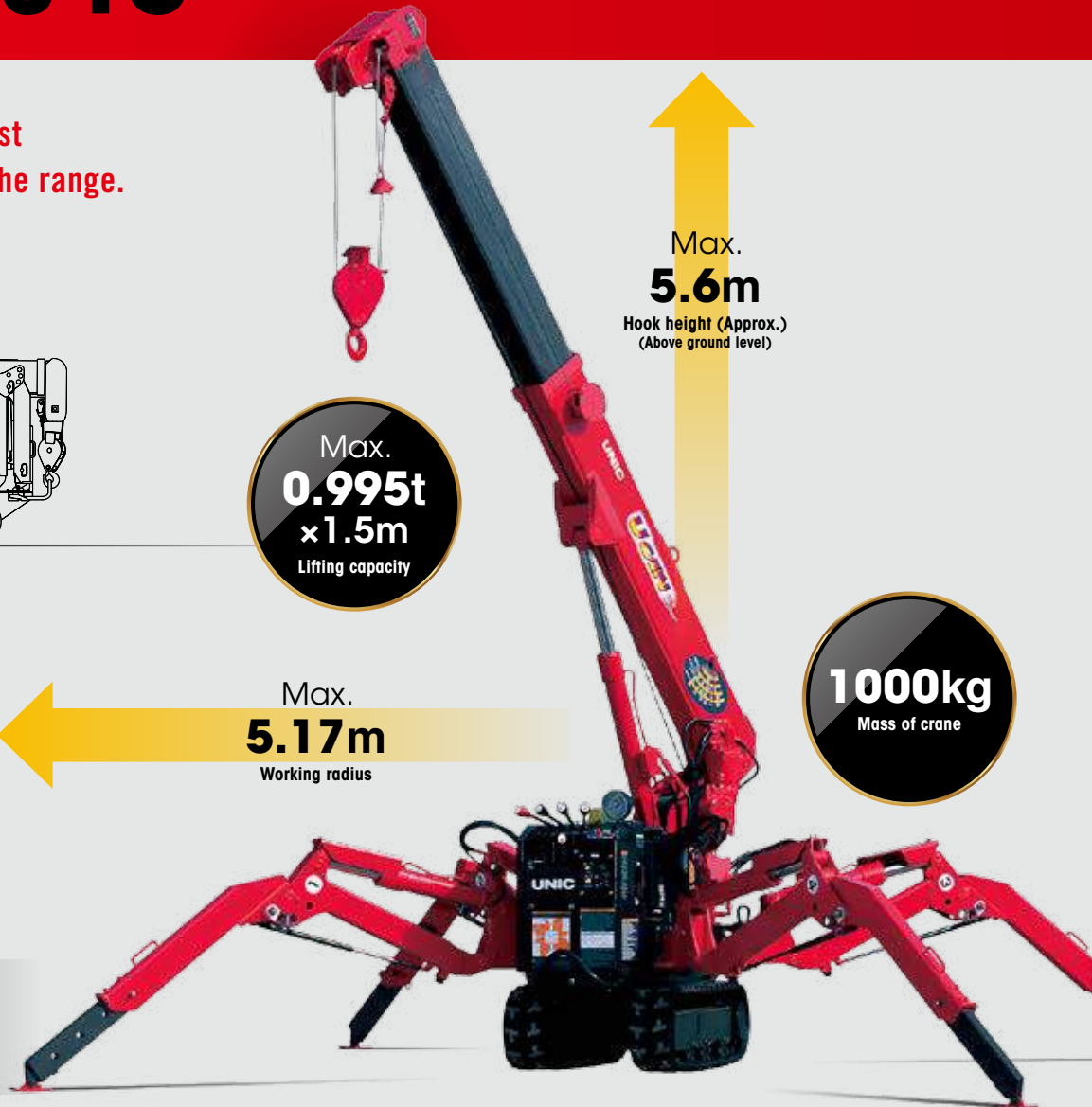
Max.
5.6m
Hook height (Approx.)
(Above ground level)

Max.
5.17m
Working radius

1000kg
Mass of crane



Radio remote control



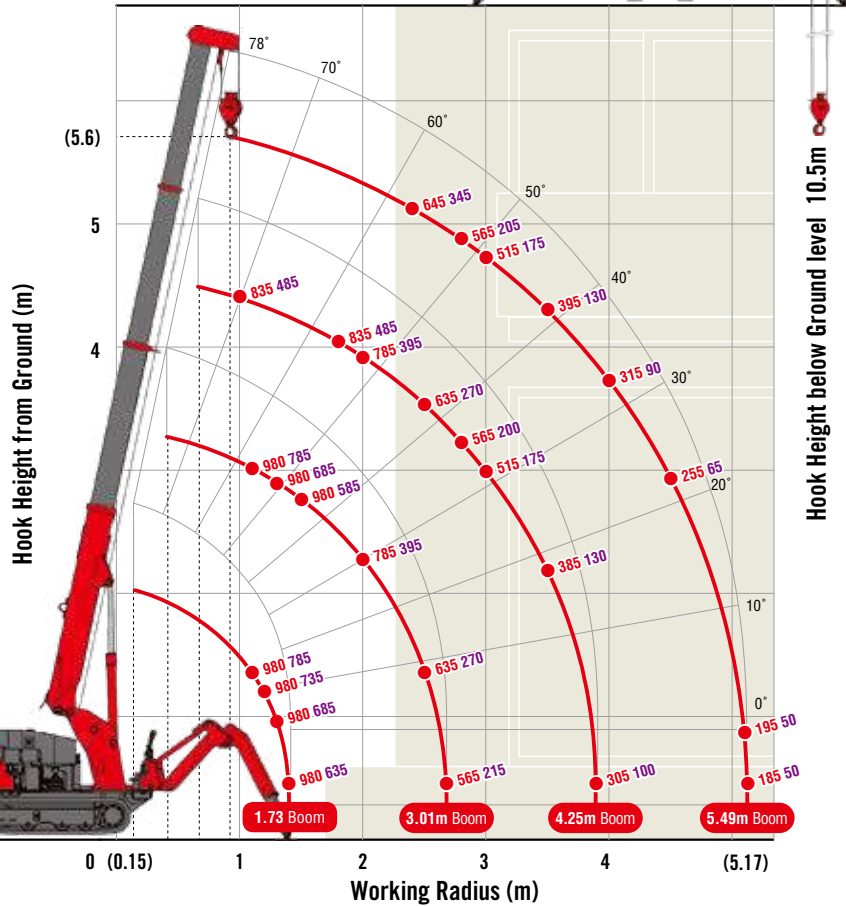
SPECIFICATIONS

Crane model	URW094CP2E	
Lifting capacity	Max. 0.995t at 1.5m	
Working radius	Min. 0.15m, Max. 5.17m	
Hook height (Approx.)	Above ground level	
	Below ground level	
Boom	Max. 5.6m	
	Max. 10.5m (with 2-part line)	
	Length	Min. 1.73m to Max. 5.49m
	Extending speed	3.76m / 17 sec.
	Raising angle / speed	0° to 78° / 6.5 sec.
Winch	Structure	4-section box beam type telescoping boom
	Single line speed	17 m/min (at 3rd layer)
	Hook speed	8.5 m/min (at 3rd layer with 2-part line)
	Wire rope	Construction : 6 x Fi(29) GRADE B / Diameter x Length : 7mm x 27m / Breaking strength : 28.9kN [2950 kgf]
Slewing	Hook block	0.98t capacity, single sheave with safety latch
	Range	360° continuous rotation on a ball bearing race
Outriggers	Speed	1.5 rpm
		3-steps (with damper) for bend and 4-steps extension. Double acting hydraulic cylinders with double pilot-operated check valves, direct pushing type (Directly connected with hydraulic automatic lock device)
Hydraulic pump	Type	Variable delivery piston pump
	Rated pressure	For crawling: 21.6 MPa [220 kgf/cm ²] For crane: 20.6 MPa [210 kgf/cm ²]
Hydraulic oil tank capacity	17 liters	
Safety devices	Pressure relief valve for hydraulic circuit / Counterbalance valves for boom raising and boom telescoping cylinders / Double pilot-operated check valves for outrigger cylinders / Boom angle indicator with load indicator / Hook safety latch / Automatic stop for overwinding / Overwinding alarm / Automatic stop for leaving minimum wire rope / Emergency stop button (Ignition cut) / Inter-lock device of crane and crawling levers / Level / Load meter / Headlight	

MINI CRAWLER CRANE

WORKING RANGE & NET RATED LOADS (kg)

Outrigger ● Max-extended NOT max-extended



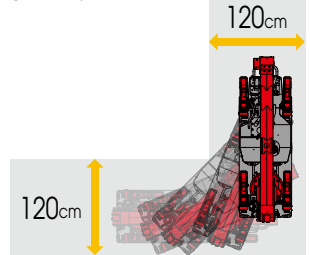
Automatic stop for overwinding



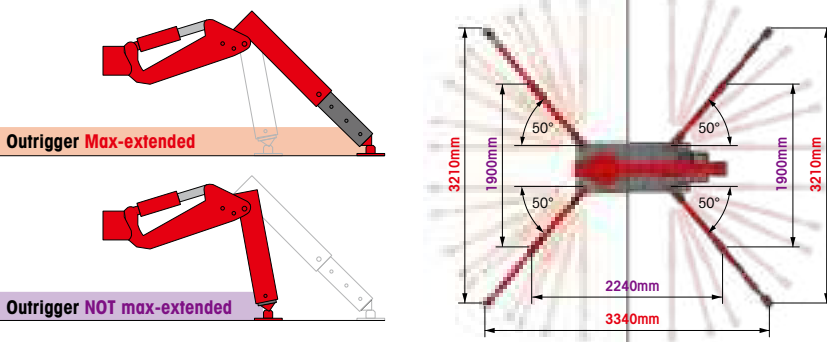
Wide departure angle



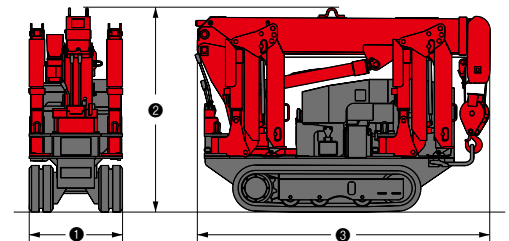
High mobility



OUTRIGGER POSITIONS



DIMENSIONS



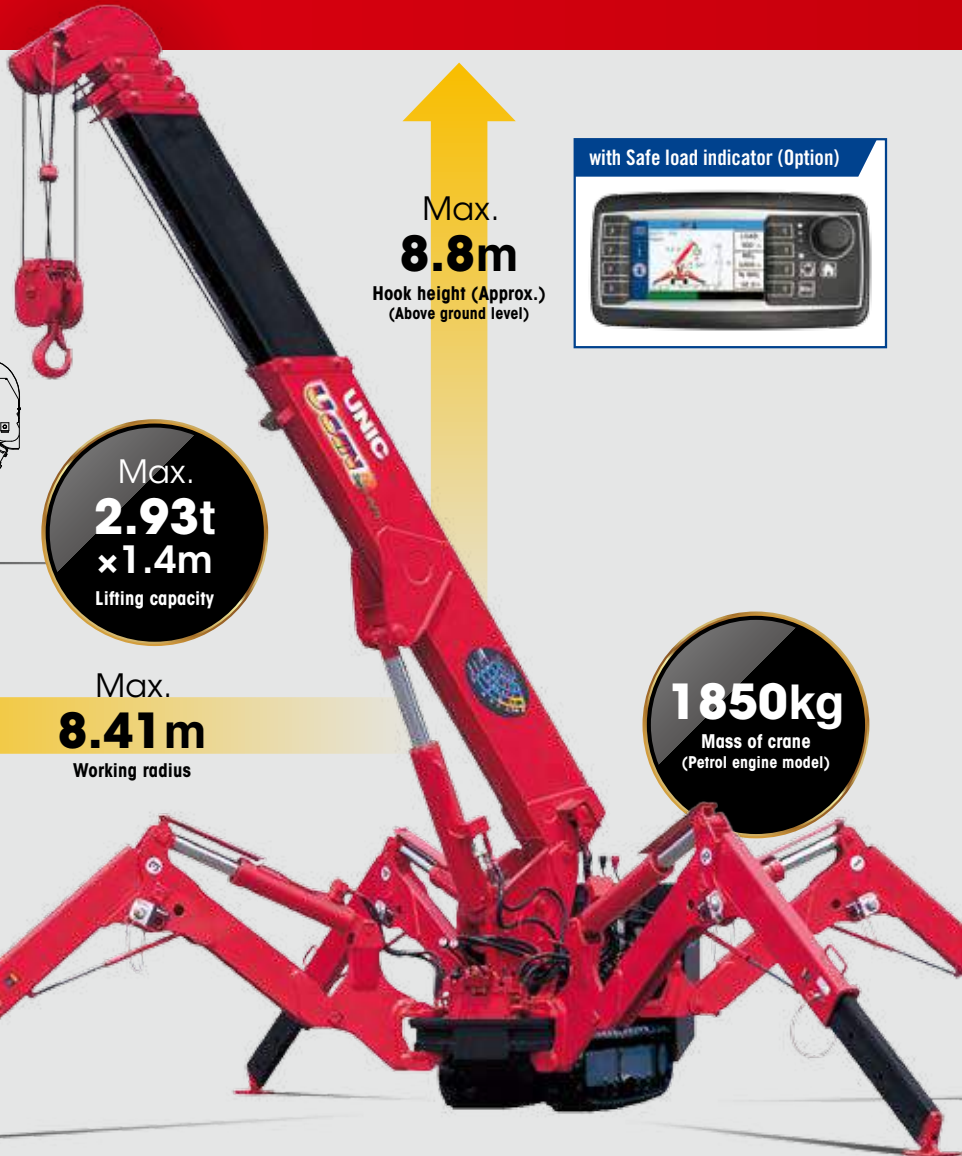
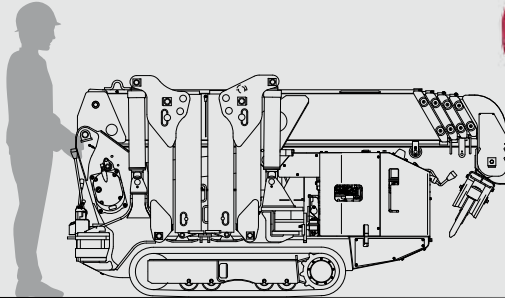
CRAWLING GEAR

Crane model	URW094CP2E
Crawling speed	0-2.2 km/h, forward / backward
Hill climbing ability	20°
Tread length × width	900mm × 150mm
Ground contact pressure	36.3 kPa [0.37 kgf/cm ²]
Engine manufacturer / model	Mitsubishi / GB300LE
Displacement	296cc
Maximum output	5.5kW(7.5PS) / 1800 rpm, Rated output
Fuel	Petrol
Fuel tank capacity	6 liters
Steering	Hydraulic drive independent of left / right

Crane model	URW094CP2E
1 Total width	595mm
2 Total height	1290mm
3 Total length	1870mm
Mass of crane	1000kg

URW295C

URW295C is narrow enough to allow access through standard size single doorway, but with 2.93t of lifting power.



Max.
8.8m
Hook height (Approx.)
(Above ground level)

Max.
2.93t
x 1.4m
Lifting capacity

Max.
8.41m
Working radius

1850kg
Mass of crane
(Petrol engine model)



Radio remote control

Photo: Standard model

SPECIFICATIONS [with Electric power unit]

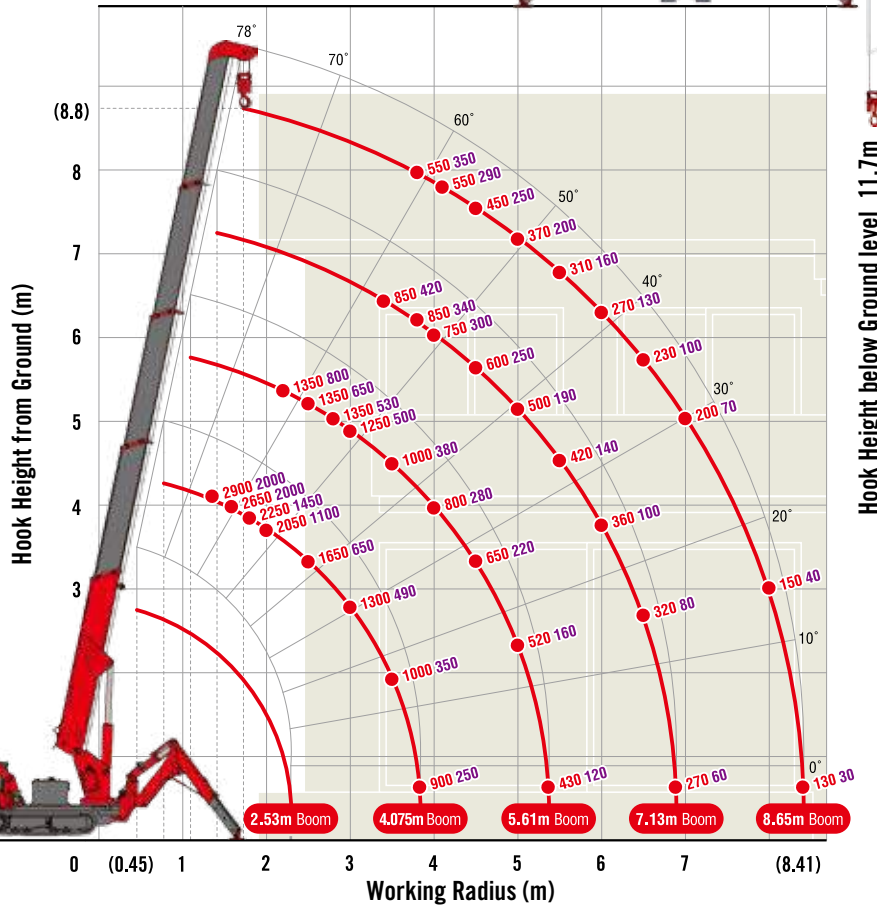
Crane model	URW295CP2		URW295C4	
	A (Standard)	E-1(Safe load indicator)	A (Standard)	E-1(Safe load indicator)
Lifting capacity	Max. 2.93t at 1.4m			
Working radius	Min. 0.45m, Max. 8.41m			
Hook height (Approx.)	Above ground level Max. 8.8m			
	Below ground level Max. 11.7m (with 4-part line)			
Boom	Length		Min. 2.53m to Max. 8.65m	
	Extending speed		Min. 2.53m to Max. 8.65m Min. 2.70m to Max. 8.65m	
	Raising angle / speed		6.12m / 22 sec. 5.95m / 21 sec.	
Winch	Structure		5-section box beam type telescoping boom	
	Single line speed		40 m/min (at 4th layer) [50Hz] 22 m/min (at 4th layer) [60Hz] 27 m/min (at 4th layer)	
	Hook speed		10 m/min (at 4th layer with 4-part line) [50Hz] 5.5 m/min (at 4th layer with 4-part line) [60Hz] 6.7 m/min (at 4th layer with 4-part line)	
	Wire rope		Construction : IWRC 6 x WS(26) GRADE B / Diameter x Length : 8mm x 54m / Breaking strength : 42.4kN [4320 kgf]	
Stewing	Hook block		2.9t capacity, 2 sheaves with safety latch	
	Range		360° continuous rotation on a ball bearing race	
Outriggers	Speed		1.5 rpm	
	2-section (with damper) for bend and 5-section extension(front) / 4-section extension(rear). Double acting hydraulic cylinders with pilot-operated check valves, direct pushing type (Directly connected with hydraulic automatic lock device)			
Hydraulic Pump	Variable delivery piston pump			
	Rated pressure For crawling: 21.6 MPa [220 kgf/cm ²] For crane: 20.6 MPa [210 kgf/cm ²]			
Hydraulic oil tank capacity		27 liters		
Safety devices [with Safe load indicator] Pressure relief valve for hydraulic circuit / Counterbalance valves for boom raising and boom telescoping cylinders / Double pilot-operated check valves for outrigger cylinders / Boom angle indicator with load indicator / Hook safety latch / Automatic mechanical brake for winch / Automatic stop for overwinding / Overwinding alarm / Emergency stop button / Inter-lock device of crane and crawling levers / Level / Stewing restriction limit switch / Turn over prevention device* / Load meter* / Safe load indicator / Inter-lock device of crane and outriggers / Outrigger ground contact detector / Three colored lamp / Headlight				

* Only for standard model

MINI CRAWLER CRANE

WORKING RANGE & NET RATED LOADS (kg)

Outrigger ● Max-extended NOT max-extended



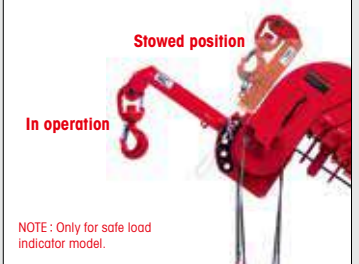
with Electric power unit (Option)



Rated power	3.7kW (3-phase 4 poles)
Voltage	AC 200V or 400V (50Hz / 60Hz)

*No cable included.

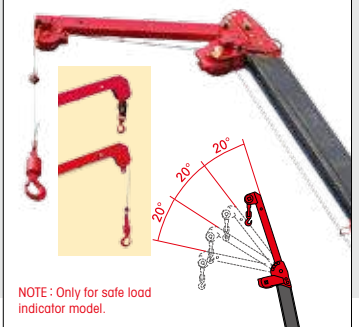
Searcher hook assembly (Option)



NOTE: Only for safe load indicator model.

Length	500mm
Lifting capacity	Max. 300kg
Tilt angles	0°, 20°, 40°, 60°

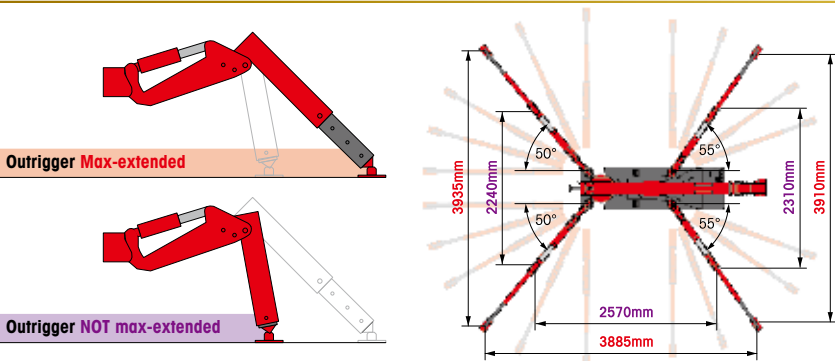
Fly jib assembly (Option)



NOTE: Only for safe load indicator model.

Length	1.5m
Lifting capacity	Max. 710kg
Tilt angles	0°, 20°, 40°, 60°

OUTRIGGER POSITIONS

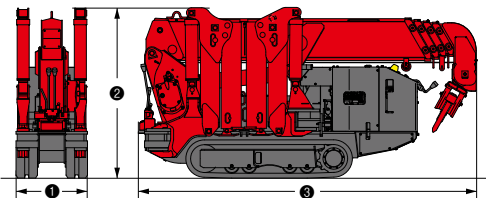


NOTE: Safe load indicator model may place each outrigger at one-angle

CRAWLING GEAR [with Electric power unit]

Crane model	URW295CP2	URW295C4
Crawling speed	0~2.3 km/h, forward / backward [AC200V 50Hz] 0~1.2 km/h [AC200V 60Hz] 0~1.4 km/h [AC400V 50Hz] 0~1.1 km/h [AC400V 60Hz] 0~1.3 km/h	0~2 km/h, forward / backward [AC200V 50Hz] 0~1.2 km/h [AC200V 60Hz] 0~1.4 km/h [AC400V 50Hz] 0~1.1 km/h [AC400V 60Hz] 0~1.3 km/h
Hill climbing ability	20°	20°
Tread length × width	1050mm × 180mm	1050mm × 180mm
Ground contact pressure	48.0 kPa [0.49 kgf/cm ²] 51.4 kPa [0.52 kgf/cm ²]	49.8 kPa [0.51 kgf/cm ²] 53.0 kPa [0.54 kgf/cm ²]
Engine manufacturer / model	Mitsubishi / GB400LE	Kubota / Z482-E4B
Displacement	391cc	479cc
Maximum output	6.6kW(9PS) / 1800 rpm, Rated output	7.2kW(9.8PS) / 2600 rpm, Rated output
Fuel	Petrol	Diesel
Fuel tank capacity	6 liters	10 liters
Steering	Hydraulic drive independent of left / right	Hydraulic drive independent of left / right

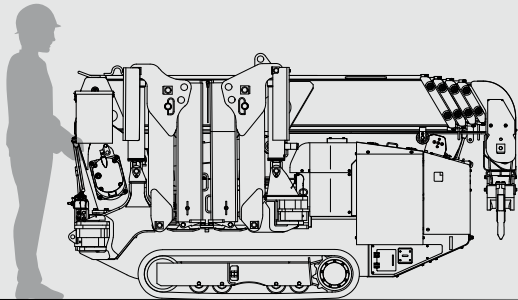
DIMENSIONS [with Electric power unit]



Crane model	URW295CP2	URW295C4
① Total width	600mm	
② Total height	1375mm [1430mm]	1380mm [1450mm]
③ Total length	2690mm	2730mm [2900mm]
Mass of crane	1850kg [1980kg]	1920kg [2040kg]

URW295CB2(ECO)

URW295CB2(ECO) is environment friendly model driven by a large-capacity battery without CO² emission during operation.



Max.
8.9m
Hook height (Approx.)
(Above ground level)

Continuous operating time

270 min (Standard)

240 min (High speed)

Charging time

5 hour (80%)

10 hour (100%)

Max.
8.41m
Working radius

Max.
**2.93t
x1.4m**
Lifting capacity

2350kg
Mass of crane



Radio remote control

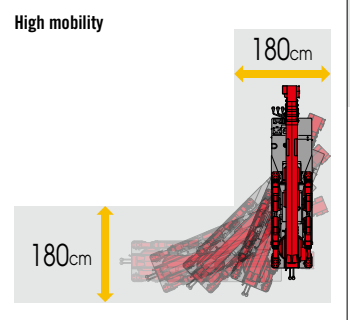
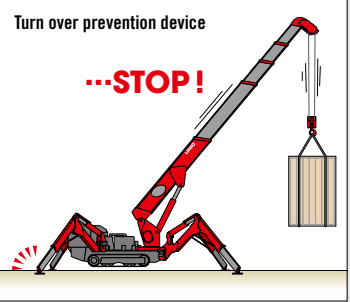
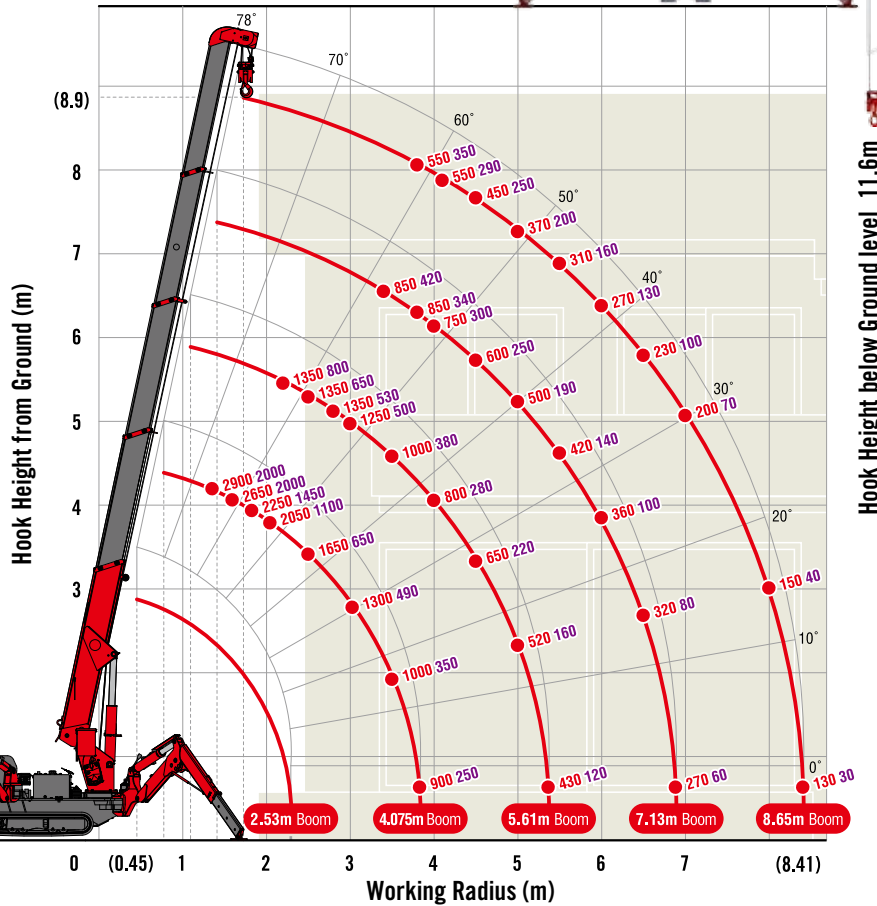
SPECIFICATIONS

Crane model	URW295CB2A	
Lifting capacity	Max. 2.93t at 1.4m	
Working radius	Min 0.45m, Max 8.41m	
Hook height (Approx.)	Above ground level	
	Max. 8.9m	
Boom	Below ground level	
	Max. 11.6m (with 4-part line)	
	Length	Min 2.53m, Max 8.65m
	Extending speed	6.12m/31s (Standard) 6.12m/23s (High speed)
	Raising angle / speed	0° to 78°/17s (Standard) 0° to 78°/12s (High speed)
Winch	Structure	5-section box beam type telescoping boom
	Single line speed	28m/min (at 4th layer) (Standard) 36.4m/min (at 4th layer) (High speed)
	Hook speed	7m/min (at 4th layer with 4-part line) (Standard) 9.1m/min (at 4th layer with 4-part line) (High speed)
	Wire rope	Construction : IWRC 6 x WS(26) GRADE B / Diameter x Length : 8mm x 54m / Breaking strength : 42.4kN [4320kgf]
Stewing	Hook block	2.9t capacity, 2 sheaves with safety latch
	Range	360° continuous rotation on a ball bearing race
Outriggers	Speed	1.0 rpm (Standard) 1.5 rpm (High speed)
	Type	2-section (with damper) for bend and 5-section extension(front) / 4-section extension(rear). Double acting hydraulic cylinders with pilot-operated check valves, direct pushing type (Directly connected with hydraulic automatic lock device)
Hydraulic Pump	Rated pressure	Gear pump
	Hydraulic oil tank capacity	For crawling: 21.6 MPa [220 kgf/cm ²] For crane: 20.6 MPa [210 kgf/cm ²]
Safety devices	27 liters	
Pressure relief valve for hydraulic circuit / Counterbalance valves for boom raising and boom telescoping cylinders / Double pilot-operated check valves for outrigger cylinders / Boom angle indicator with load indicator / Hook safety latch / Automatic mechanical brake for winch / Automatic stop for overwinding / Overwinding alarm / Emergency stop button / Inter-lock device of crane and crawling levers / Level / Slewing restriction limit switch / Turn over prevention device / Load meter		

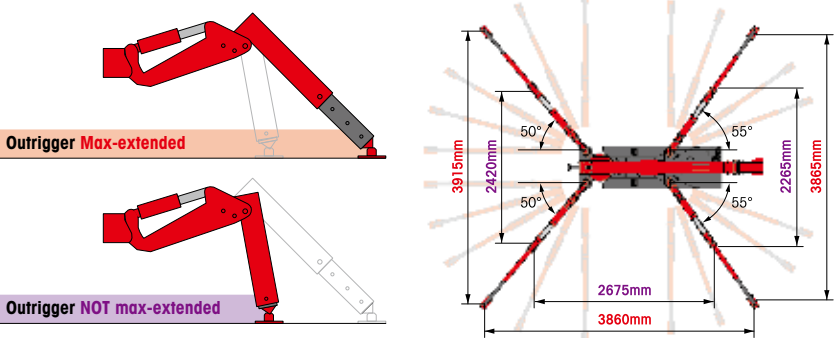
MINI CRAWLER CRANE

WORKING RANGE & NET RATED LOADS (kg)

Outrigger ● Max-extended NOT max-extended



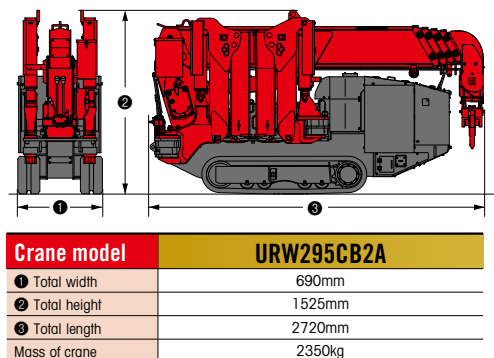
OUTRIGGER POSITIONS



CRAWLING GEAR

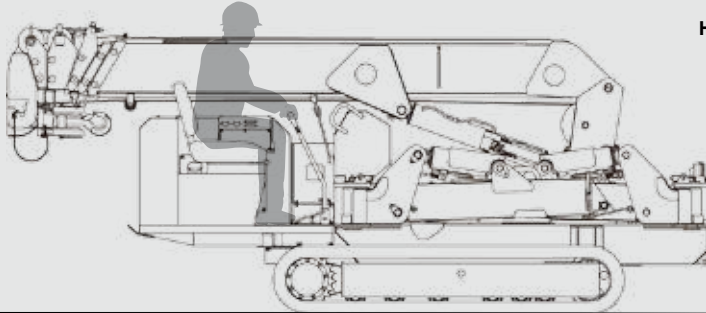
Crane model	URW295CB2A
Crawling speed	0~1km/h, forward / backward (Standard) 0~1.6km/h, forward / backward (High speed)
Hill climbing ability	20°
Tread length × width	1050mm × 180mm
Ground contact pressure	60.8kPa [0.62kg/cm ²]
Battery type	Flooded lead acid battery
Battery model	VC1225 (DC48V-225Ah) (DC2V x 24 cells)
Continuous operating time	Approx. 270min (Standard) Approx. 240min (High speed)
Input voltage / current	AC200V (50/60Hz), Single-phase / 16A
Charging time	Approx. 5 hour (80%) Approx. 10 hour (100%)

DIMENSIONS



URW376C

URW376C features a six-section hydraulic boom to allow a maximum hook height of 14.9m.



Max.
14.9m
Hook height (Approx.)
(Above ground level)

with Safe load indicator (Option)



Max.
3.03t
×2.5m
Lifting capacity

3870kg
Mass of crane

Max.
14.45m
Working radius



Radio remote control

Photo: Standard model

SPECIFICATIONS [with Electric power unit]

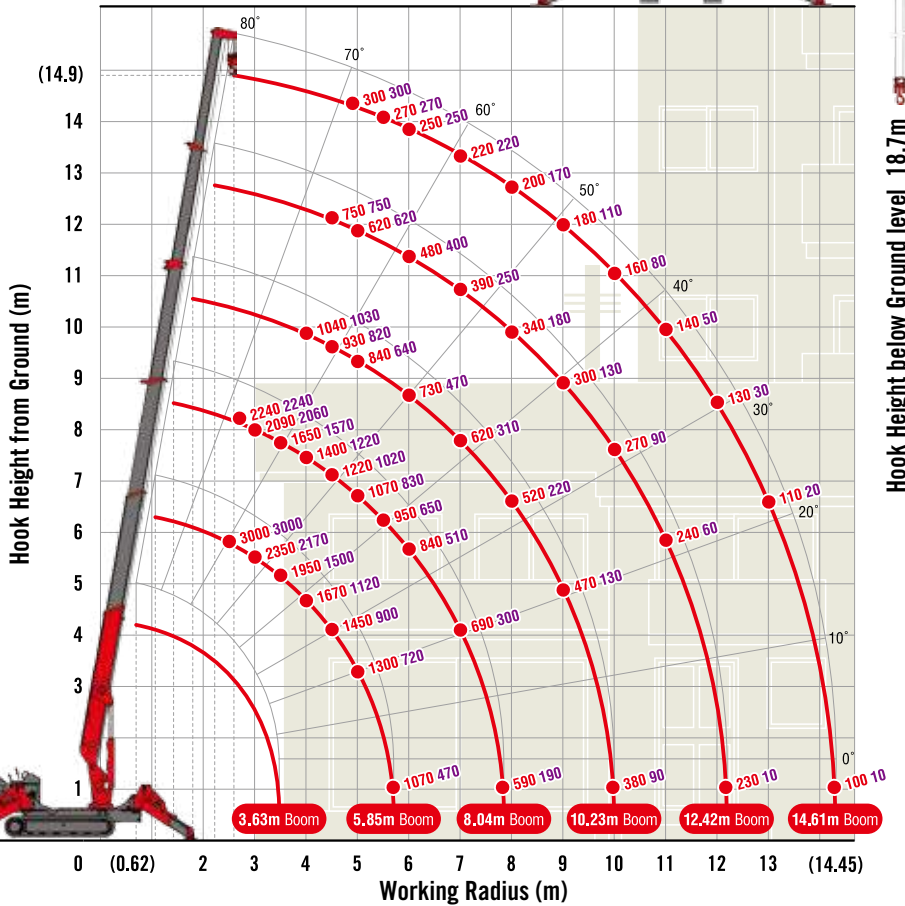
Crane model	URW376C4	
	A (Standard)	E-1(Safe load indicator)
Lifting capacity	Max. 3.03t at 2.5m	
Working radius	Min. 0.62m, Max. 14.45m	
Hook height (Approx.)	Above ground level	Max. 14.9m
	Below ground level	Max. 18.7m (with 4-part line)
Boom	Length	Min. 3.63m to Max. 14.61m
	Extending speed	10.98m / 23 sec. [50Hz] 10.98m / 40 sec. [60Hz] 10.98m / 33.5 sec.
	Raising angle / speed	0° to 80° / 10 sec. [50Hz] 0° to 80° / 18 sec. [60Hz] 0° to 80° / 15 sec.
Structure	6-section box beam type telescoping boom	
Winch	Single line speed	68 m/min (at 4th layer) [50Hz] 34 m/min (at 4th layer) [60Hz] 40 m/min (at 4th layer)
	Hook speed	17 m/min (at 4th layer with 4-part line) [50Hz] 8.5 m/min (at 4th layer with 4-part line) [60Hz] 10 m/min (at 4th layer with 4-part line)
	Wire rope	Construction : IWRC 6 x WS(26) GRADE B / Diameter x Length : 8mm x 85m / Breaking strength : 42.4kN (4320 kgf)
Stewings	Hook block	3t capacity, 2 sheaves with safety latch
	Range	360° continuous rotation on a ball bearing race
Outriggers	Speed	2.5 rpm [50Hz] 2.1 rpm [60Hz] 2.5 rpm
	Horizontal, Vertical	A double acting hydraulic cylinder, direct pushing type (Directly connected with hydraulic automatic lock device)
Hydraulic pump	Type	Variable delivery piston pump
	Rated pressure	For crawling: 21.6 MPa [220 kgf/cm ²] For crane: 20.6 MPa [210 kgf/cm ²]
Hydraulic oil tank capacity	75 liters	
Safety devices [with Safe load indicator]	Pressure relief valve for hydraulic circuit / Counterbalance valves for boom raising and boom telescoping cylinders / Pilot-operated check valves for outrigger cylinders (Horizontal) / Double pilot-operated check valves for outrigger cylinders (Vertical) / Boom angle indicator with load indicator / Hook safety latch / Automatic mechanical brake for winch / Automatic stop for overwinding / Overwinding alarm / Automatic stop for leaving minimum wire rope / Emergency stop button / Inter-lock device of crane and crawling levers / Level / Three colored lamp / Headlight / Digital load meter* / Automatic stop for overloading* / Safe load indicator / Inter-lock device of crane and outriggers / Outrigger ground contact detector	

* Only for standard model

MINI CRAWLER CRANE

WORKING RANGE & NET RATED LOADS (kg)

Outrigger ● Max-extended NOT max-extended



Hook Height below Ground level 18.7m

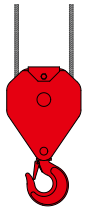
with Electric power unit (Option)



Rated power	7.5kW (3-phase 4 poles)
Voltage	AC 200V or 400V (50Hz / 60Hz)

*No cable included.

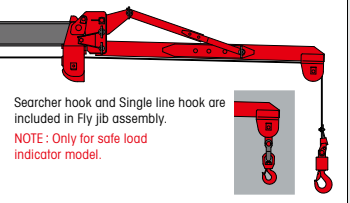
2-part line hook block (Option)



NOTE: Only for safe load indicator model.

Lifting capacity	Max. 1.52t at 4.5m
Hook height below ground level	38.7m

Fly jib assembly (Option)

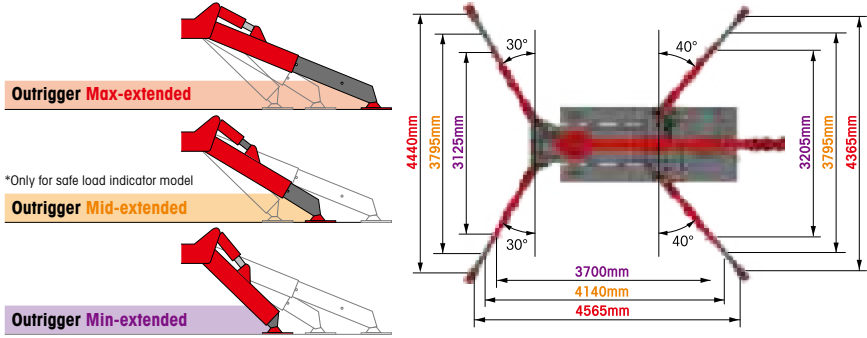


Searcher hook and Single line hook are included in Fly jib assembly.

NOTE: Only for safe load indicator model.

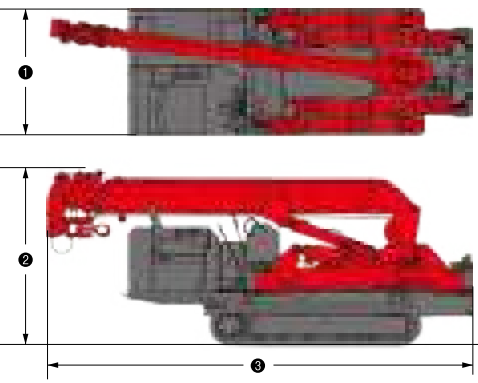
Length	2m
Lifting capacity	Max. 710kg
Tilt angles	0°, 20°, 40°, 60°

OUTRIGGER POSITIONS



*Only for safe load indicator model

DIMENSIONS [with Electric power unit]



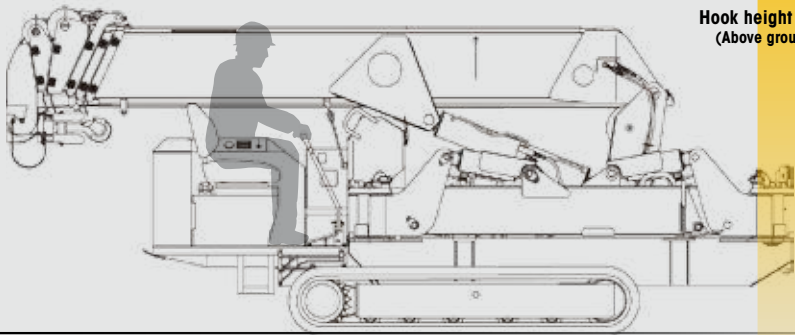
CRAWLING GEAR [with Electric power unit]

Crane model	URW376C4
Crawling speed	0~3 km/h, forward / backward [50Hz] 0~1.3 km/h [60Hz] 0~1.5 km/h
Hill climbing ability	23°
Tread length × width	1750mm × 300mm
Ground contact pressure	36.3 kPa [0.37 kgf/cm ²] 37.3 kPa [0.38 kgf/cm ²]
Engine manufacturer / model	Yanmar / 3TNV80F
Displacement	1266cm ³
Maximum output	15.2kW(20.7PS) / 2500 rpm, Rated output
Fuel	Diesel
Fuel tank capacity	40 liters
Steering	Hydraulic drive independent of left / right

Crane model	URW376C4
① Total width	1300mm
② Total height	1805mm
③ Total length	4340mm
Mass of crane	3870kg [4020kg]

URW546C

URW546C features maximum 4.05t lifting power to allow heavy load lifting operation.



Max.
16m
Hook height (Approx.)
(Above ground level)

with Safe load indicator (Option)



Max.
4.05t
x2.5m
Lifting capacity

4930kg
Mass of crane

Max.
15.52m
Working radius



Radio remote control

Photo:Standard model

SPECIFICATIONS [with Electric power unit]

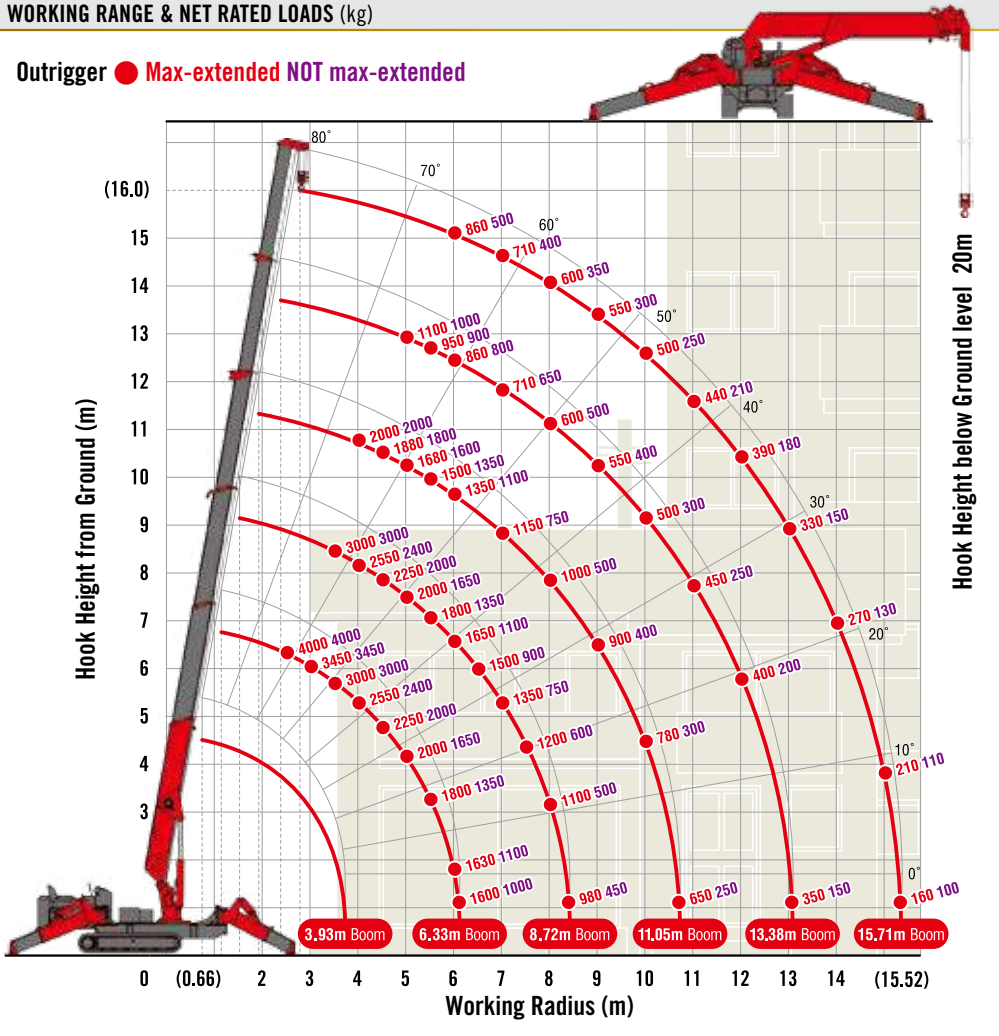
Crane model	URW546C4	
	A (Standard)	E-1(Safe load indicator)
Lifting capacity	Max. 4.05t at 2.5m	
Working radius	Min. 0.66m, Max. 15.52m	
Hook height (Approx.)	Max. 16m	
	Above ground level	Max. 20m with 4-part line
Length	Min. 3.93m to Max. 15.71m	
	11.78m / 35 sec.	
	[50Hz] 11.78m / 57 sec. [60Hz] 11.78m / 48 sec.	
Boom	0° to 80° / 18 sec.	
	[50Hz] 0° to 80° / 30 sec. [60Hz] 0° to 80° / 25 sec.	
	6-section box beam type telescoping boom	
Winch	44 m/min (at 4th layer)	
	[50Hz] 22 m/min (at 4th layer) [60Hz] 26 m/min (at 4th layer)	
	11 m/min (at 4th layer with 4-part line)	
Hook speed	[50Hz] 5.5 m/min (at 4th layer with 4-part line) [60Hz] 6.5 m/min (at 4th layer with 4-part line)	
	Construction : XP IWRC 6 x WS(26) / Diameter x Length : 8mm x 91.5m / Breaking strength : 47.1kN [4800 kgf]	
	Construction : IWRC L6 x P-WS(26) / Diameter x Length : 8mm x 91.5m / Breaking strength : 53.0kN [5400kgf]	
Hook block	4t capacity, 2 sheaves with safety latch	
	360° continuous rotation on a ball bearing race	
Stewing	2.5 rpm [50Hz] 2.0 rpm [60Hz] 2.3 rpm	
	A double acting hydraulic cylinder, direct pushing type (Directly connected with hydraulic automatic lock device)	
Outriggers	Type	
	Variable delivery piston pump	
Hydraulic pump	Rated pressure	
	For crawling: 21.6 MPa [220 kgf/cm ²] For crane: 20.6 MPa [210 kgf/cm ²]	
Hydraulic oil tank capacity	75 liters	
Safety devices [with Safe load indicator]	Pressure relief valve for hydraulic circuit / Counterbalance valves for boom raising and boom telescoping cylinders / Pilot-operated check valves for outrigger cylinders (Horizontal) / Double pilot-operated check valves for outrigger cylinders (Vertical) / Boom angle indicator with load indicator / Hook safety latch / Automatic mechanical brake for winch / Automatic stop for overwinding / Overwinding alarm / Automatic stop for leaving minimum wire rope / Emergency stop button / Inter-lock device of crane and crawling levers / Level / Three colored lamp / Headlight / Digital load meter* / Automatic stop for overloading* / Safe load indicator / Inter-lock device of crane and outriggers / Outrigger ground contact detector	

* Only for standard model

MINI CRAWLER CRANE

WORKING RANGE & NET RATED LOADS (kg)

Outrigger ● Max-extended NOT max-extended



Hook Height below Ground level 20m

with Electric power unit (Option)



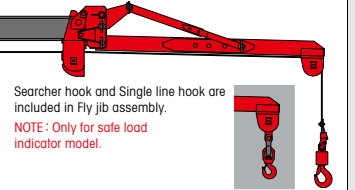
Rated power	7.5kW (3-phase 4 poles)
Voltage	AC 200V or 400V (50Hz / 60Hz)

*No cable included.

Three colored lamp



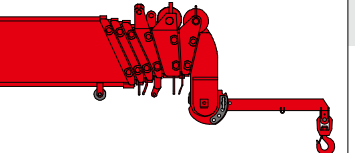
Fly jib assembly (Option)



Searcher hook and Single line hook are included in Fly jib assembly.
NOTE: Only for safe load indicator model.

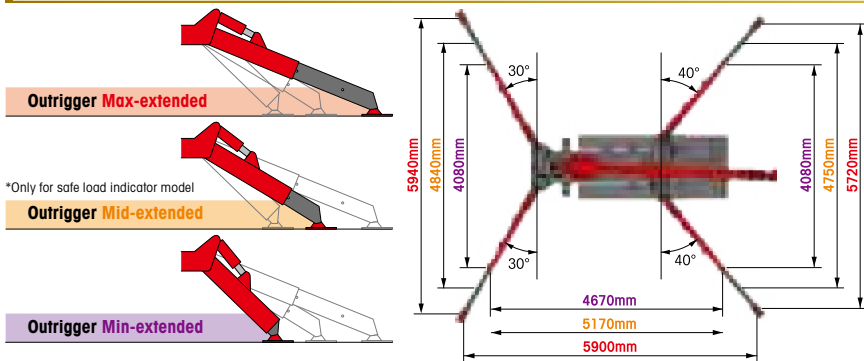
Length	2m
Lifting capacity	Max. 710kg
Tilt angles	0°, 20°, 40°, 60°

Searcher hook assembly (Option)



Length	800mm
Lifting capacity	Max. 500kg
Tilt angles	0°, 20°, 40°, 60°

OUTRIGGER POSITIONS

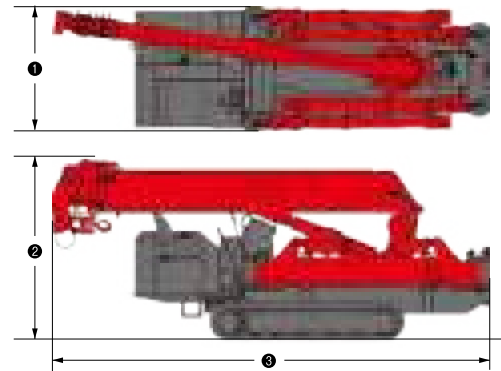


*Only for safe load indicator model

CRAWLING GEAR [with Electric power unit]

Crane model	URW546C4
Crawling speed	0~3 km/h, forward / backward [50Hz] 0~1.3 km/h [60Hz] 0~1.5 km/h
Hill climbing ability	23°
Tread length × width	1750mm × 300mm
Ground contact pressure	46.1 kPa [0.47 kgf/cm ²] 47.1 kPa [0.48 kgf/cm ²]
Engine manufacturer / model	Yanmar / 3TNV80F
Displacement	1266cc
Maximum output	15.2kW(20.7PS) / 2500 rpm, Rated output
Fuel	Diesel
Fuel tank capacity	40 liters
Steering	Hydraulic drive independent of left / right

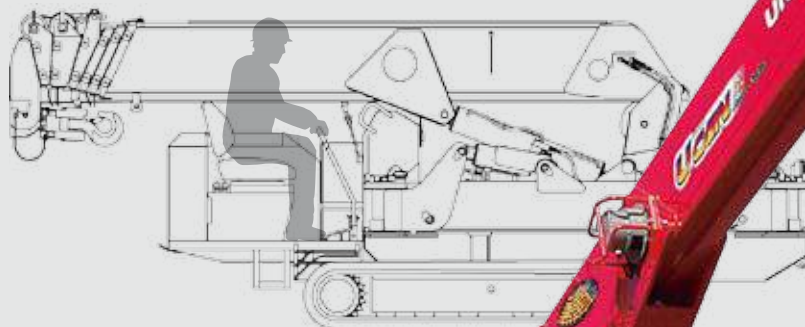
DIMENSIONS [with Electric power unit]



Crane model	URW546C4
① Total width	1380mm
② Total height	2035mm
③ Total length	4870mm
Mass of crane	4930kg [5080kg]

URW547C

URW547C provides maximum hook height of 18.2m with its seven section hydraulic boom.



with Safe load indicator (Option)



Max.
18.2m
Hook height (Approx.)
(Above ground level)

Max.
**4.05t
x2.5m**
Lifting capacity

Max.
17.83m
Working radius

5020kg
Mass of crane

Radio
remote
control

Photo: Standard model

SPECIFICATIONS [with Electric power unit]

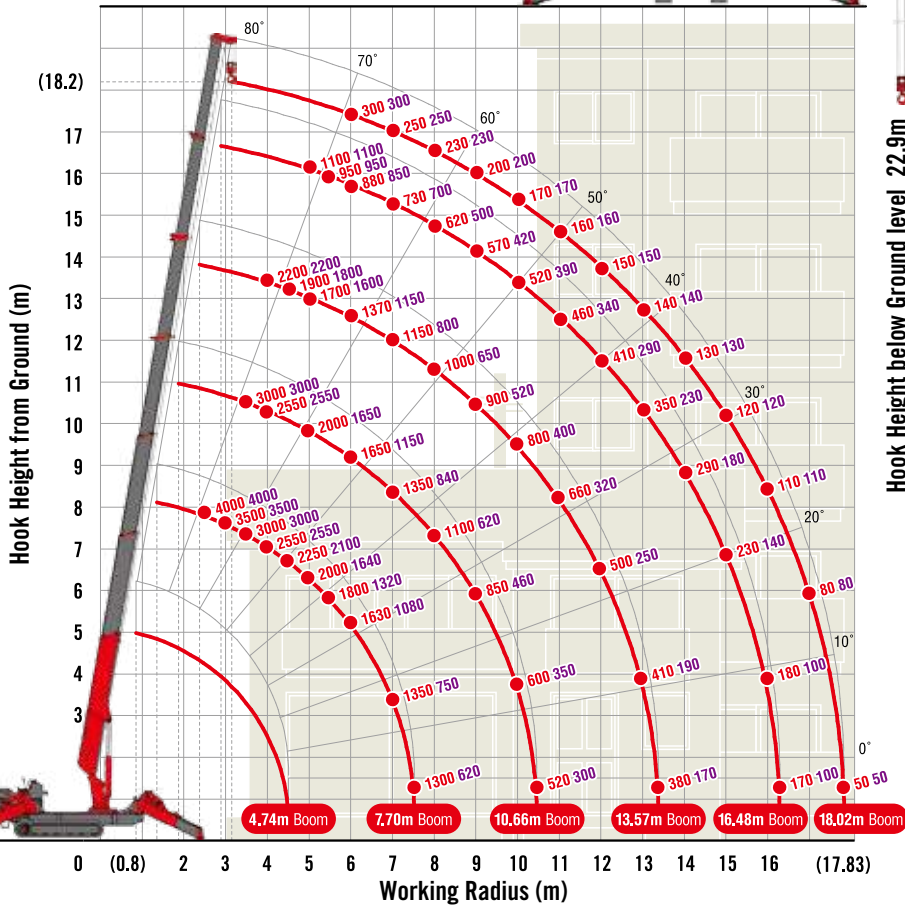
Crane model	URW547C4	
	A (Standard)	E-1(Safe load indicator)
Lifting capacity	Max. 4.05t at 2.5m	
Working radius	Min. 0.8m, Max. 17.83m	
Hook height (Approx.)	Max. 18.2m	
	Above ground level	Max. 22.9m (with 4-part line)
Boom	Below ground level	Min. 3.99m to Max. 18.02m
	Length	14.03m / 35 sec. [50Hz] 14.03m / 57 sec. [60Hz] 14.03m / 48 sec.
	Extending speed	0° to 80° / 18 sec. [50Hz] 0° to 80° / 30 sec. [60Hz] 0° to 80° / 25 sec.
	Raising angle / speed	7-section box beam type telescoping boom
Winch	Structure	56 m/min (at 5th layer) [50Hz] 28 m/min (at 5th layer) [60Hz] 32.8 m/min (at 5th layer)
	Single line speed	14 m/min (at 5th layer with 4-part line) [50Hz] 7m/min (at 5th layer with 4-part line) [60Hz] 8.2 m/min (at 5th layer with 4-part line)
	Hook speed	Construction : IWRC L6 x P-WS(26) / Diameter x Length : 8mm x 103m / Breaking strength : 53kN [5400 kgf]
	Wire rope	4t capacity, 2 sheaves with safety latch
Stewing	Hook block	360° continuous rotation on a ball bearing race
	Range	2.5 rpm [50Hz] 2.0 rpm [60Hz] 2.3 rpm
Outriggers	Speed	A double acting hydraulic cylinder, direct pushing type (Directly connected with hydraulic automatic lock device)
	Horizontal, Vertical	Variable delivery piston pump
Hydraulic pump	Type	For crawling: 21.6 MPa [220 kgf/cm ²] For crane: 20.6 MPa [210 kgf/cm ²]
	Rated pressure	75 liters
Hydraulic oil tank capacity	Pressure relief valve for hydraulic circuit / Counterbalance valves for boom raising and boom telescoping cylinders / Pilot-operated check valves for outrigger cylinders (Horizontal) / Double pilot-operated check valves for outrigger cylinders (Vertical) / Boom angle indicator with load indicator / Hook safety latch / Automatic mechanical brake for winch / Automatic stop for overwinding / Overwinding alarm / Automatic stop for leaving minimum wire rope / Emergency stop button / Inter-lock device of crane and crawling levers / Level / Three colored lamp / Headlight / Digital load meter* / Automatic stop for overloading* / Safe load indicator / Inter-lock device of crane and outriggers / Outrigger ground contact detector	
Safety devices [with Safe load indicator]		

* Only for standard model

MINI CRAWLER CRANE

WORKING RANGE & NET RATED LOADS (kg)

Outrigger ● Max-extended NOT max-extended



Hook Height below Ground level 22.9m

with Electric power unit (Option)



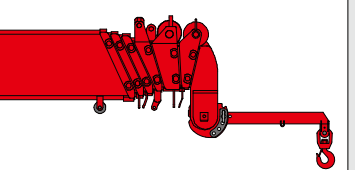
Rated power	7.5kW (3-phase 4 poles)
Voltage	AC 200V or 400V (50Hz / 60Hz)

*No cable included.

Three colored lamp



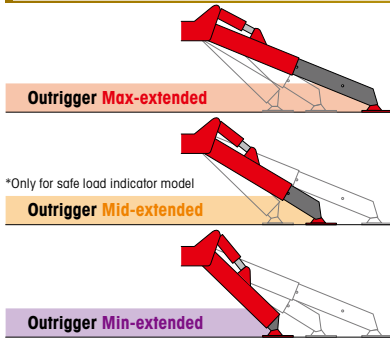
Searcher hook assembly (Option)



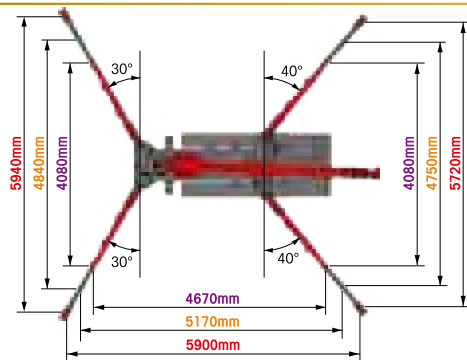
NOTE: Only for safe load indicator model.

Length	800mm
Lifting capacity	Max. 500kg
Tilt angles	0°, 20°, 40°, 60°

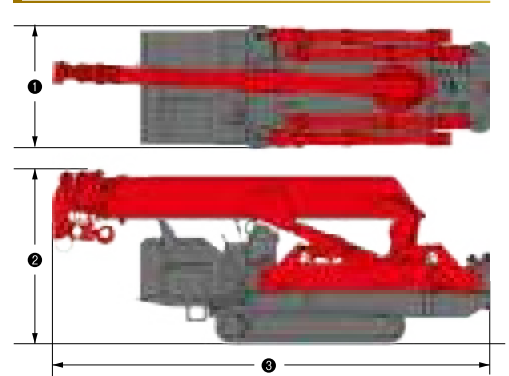
OUTRIGGER POSITIONS



*Only for safe load indicator model



DIMENSIONS [with Electric power unit]



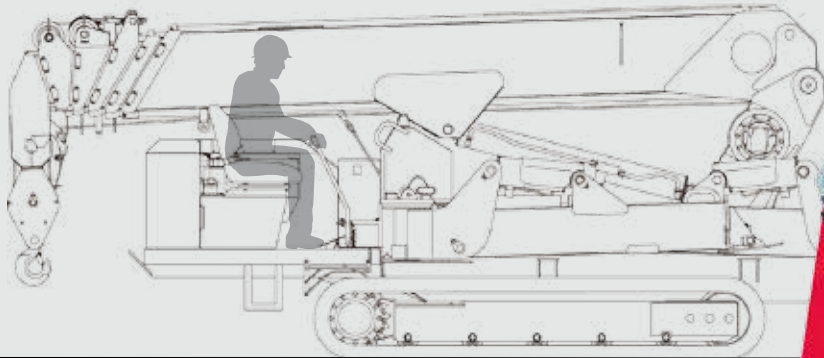
CRAWLING GEAR [with Electric power unit]

Crane model	URW547C4
Crawling speed	0~3 km/h, forward / backward [50Hz] 0~1.3 km/h [60Hz] 0~1.5 km/h
Hill climbing ability	23°
Tread length × width	1750mm × 300mm
Ground contact pressure	47.1 kPa [0.48 kgf/cm ²] 49.0 kPa [0.50 kgf/cm ²]
Engine manufacturer / model	Yanmar / 3TNV80F
Displacement	1266cc
Maximum output	15.2kW(20.7PS) / 2500 rpm, Rated output
Fuel	Diesel
Fuel tank capacity	40 liters
Steering	Hydraulic drive independent of left / right

Crane model	URW547C4
① Total width	1380mm
② Total height	1980mm
③ Total length	4950mm
Mass of crane	5070kg [5220kg]

URW706C

URW706C features maximum hook height of 19.5m with its six section hydraulic boom.



with Safe load indicator (Option)



Max.
19.5m
Hook height (Approx.)
(Above ground level)

Max.
18.6m
Working radius

Max.
6.05t
x3.0m
Lifting capacity

7990kg
Mass of crane



Radio remote control

Photo: Standard model

SPECIFICATIONS [with Electric power unit]

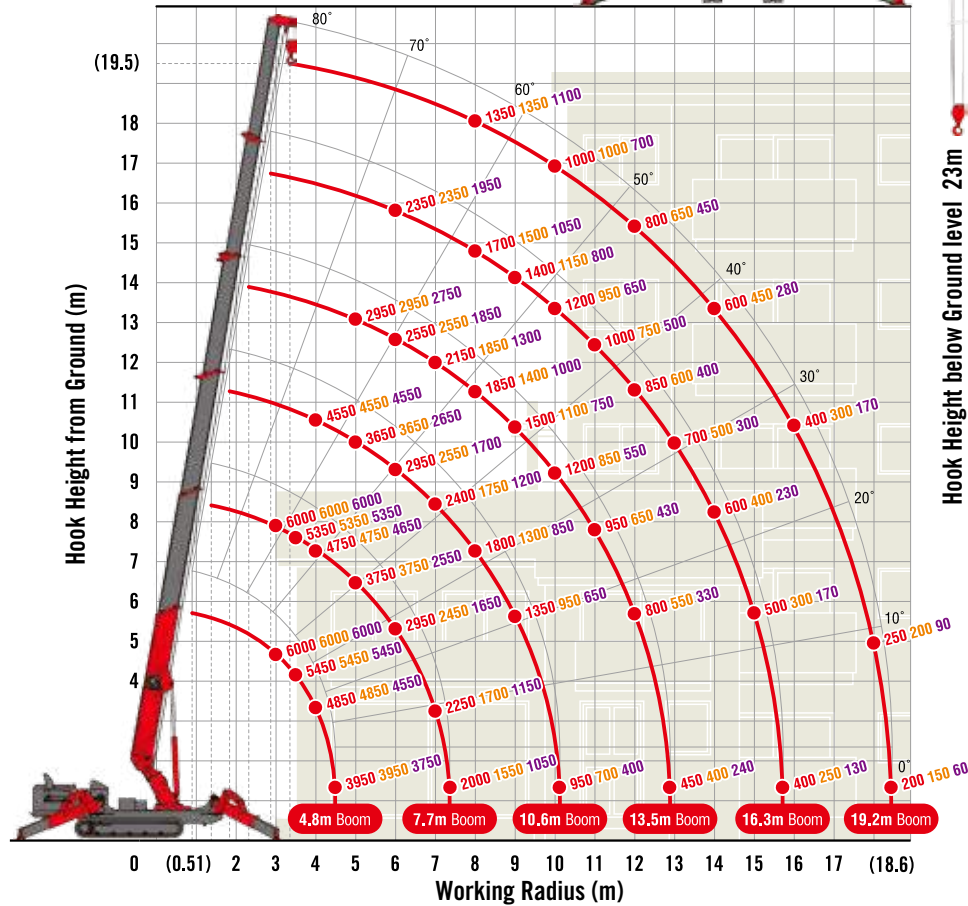
Crane model	URW706C4	
	A (Standard)	E-1(Safe load indicator)
Lifting capacity	Max. 6.05t at 3m	
Working radius	Min. 0.51m, Max. 18.6m	
Hook height (Approx.)	Above ground level	Max. 19.5m
	Below ground level	Max. 23m (with 4-part line)
Boom	Length	Min. 4.8m to Max. 19.2m
	Extending speed	14.4m / 52 sec. [50Hz] 14.4m / 110 sec. [60Hz] 14.4m / 90 sec.
	Raising angle / speed	0° to 80° / 16 sec. [50Hz] 0° to 80° / 45 sec. [60Hz] 0° to 80° / 37 sec.
Structure	6-section box beam type telescoping boom	
Winch	Single line speed	44 m/min (at 4th layer) [50Hz] 15.6 m/min (at 4th layer) [60Hz] 17.7 m/min (at 4th layer)
	Hook speed	11 m/min (at 4th layer with 4-part line) [50Hz] 3.9 m/min (at 4th layer with 4-part line) [60Hz] 4.4 m/min (at 4th layer with 4-part line)
	Wire rope	Construction : IWRC 6 x Fi(29) / Diameter x Length : 10mm x 111m / Breaking strength : 78.4kN (8000 kgf)
Hook block	6t capacity, 2 sheaves with safety latch	
Stewing	Range	360° continuous rotation on a ball bearing race
	Speed	2.5 rpm [50Hz] [60Hz] 1.8 rpm
Outriggers	Horizontal, Vertical A double acting hydraulic cylinder, direct pushing type (Directly connected with hydraulic automatic lock device)	
Hydraulic pump	Type	Variable delivery piston pump
	Rated pressure	For crawling: 24.5 MPa [250 kgf/cm ²] For crane: 20.6 MPa [210 kgf/cm ²]
Hydraulic oil tank capacity	125.7 liters	
Safety devices [with Safe load indicator]	Pressure relief valve for hydraulic circuit / Counterbalance valves for boom raising and boom telescoping cylinders / Pilot-operated check valves for outrigger cylinders (Horizontal) / Double pilot-operated check valves for outrigger cylinders (Vertical) / Boom angle indicator with load indicator / Hook safety latch / Automatic mechanical brake for winch / Automatic stop for overwinding / Overwinding alarm / Automatic stop for leaving minimum wire rope / Emergency stop button / Inter-lock device of crane and crawling levers / Level / Two colored lamp* / Headlight / Automatic stop for overloading* / Safe load indicator / Inter-lock device of crane and outriggers / Outrigger ground contact detector / Three colored lamp	

* Only for standard model

MINI CRAWLER CRANE

WORKING RANGE & NET RATED LOADS (kg)

Outrigger ● Max-extended Mid-extended Min-extended



Hook Height below Ground level 23m

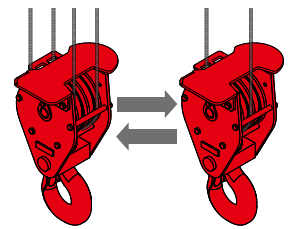
with Electric power unit (Option)



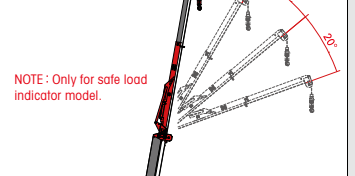
Rated power	7.5kW (3-phase 4 poles)
Voltage	AC 200V or 400V (50Hz / 60Hz)

*No cable included.

4 - 2 multi-part line hook block (Option)

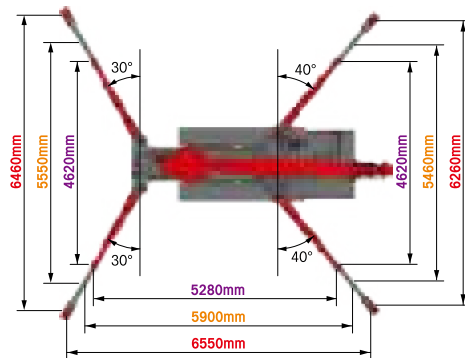
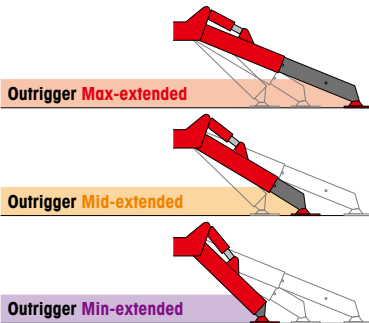


Fly jib assembly (Option)

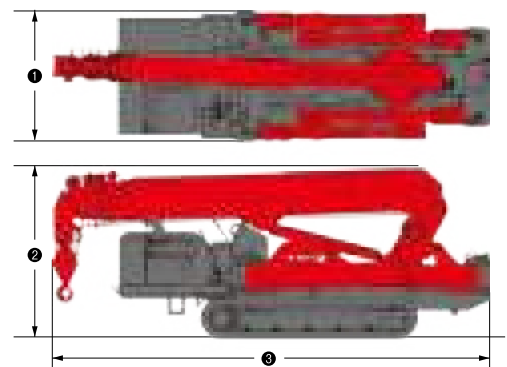


Length	[Manual] Retracted: 2.11m Extended: 3.11m [Hydraulic lift] Retracted: 3.8m Extended: 6.0m
Lifting capacity	Max. 820kg
Tilt angles	[Manual] 0°, 20°, 40°, 60° [Hydraulic lift] 0° ~ 60°

OUTRIGGER POSITIONS



DIMENSIONS [with Electric power unit]



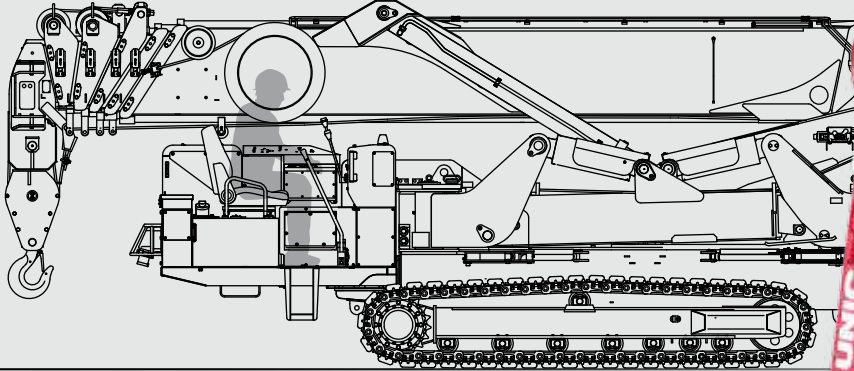
CRAWLING GEAR [with Electric power unit]

Crane model	URW706C4
Crawling speed	0~2.9 km/h, forward / backward [50Hz] 0~1 km/h [60Hz] 0~1.2 km/h
Hill climbing ability	23°
Tread length × width	2275mm × 400mm
Ground contact pressure	43.1 kPa [0.44 kgf/cm ²] 43.8 kPa [0.45 kgf/cm ²]
Engine manufacturer / model	Kubota / D1703-M-DI-E4B
Displacement	1647cc
Maximum output	18.5kW(25.2PS) / 2200 rpm, Rated output
Fuel	Diesel
Fuel tank capacity	60 liters
Steering	Hydraulic drive independent of left / right

Crane model	URW706C4
① Total width	1670mm
② Total height	2190mm
③ Total length	5610mm
Mass of crane	7990kg [8140kg]

URW1006C

The mightiest mini crawler crane in the world,
URW1006C boasts an unrivalled 10.14t lifting capacity.



Max.
22.8m
30.7m (with Fly jib assembly)
Hook height (Approx.)
(Above ground level)

Max.
21.93m
24.3m (with Fly jib assembly)
Working radius

Max.
10.14t
x3.0m
Lifting capacity

13840kg
Mass of crane



Radio
remote
control

NOTE : This transmitter is subject to alternation in some countries.
For more information, contact your local UNIC distributor.

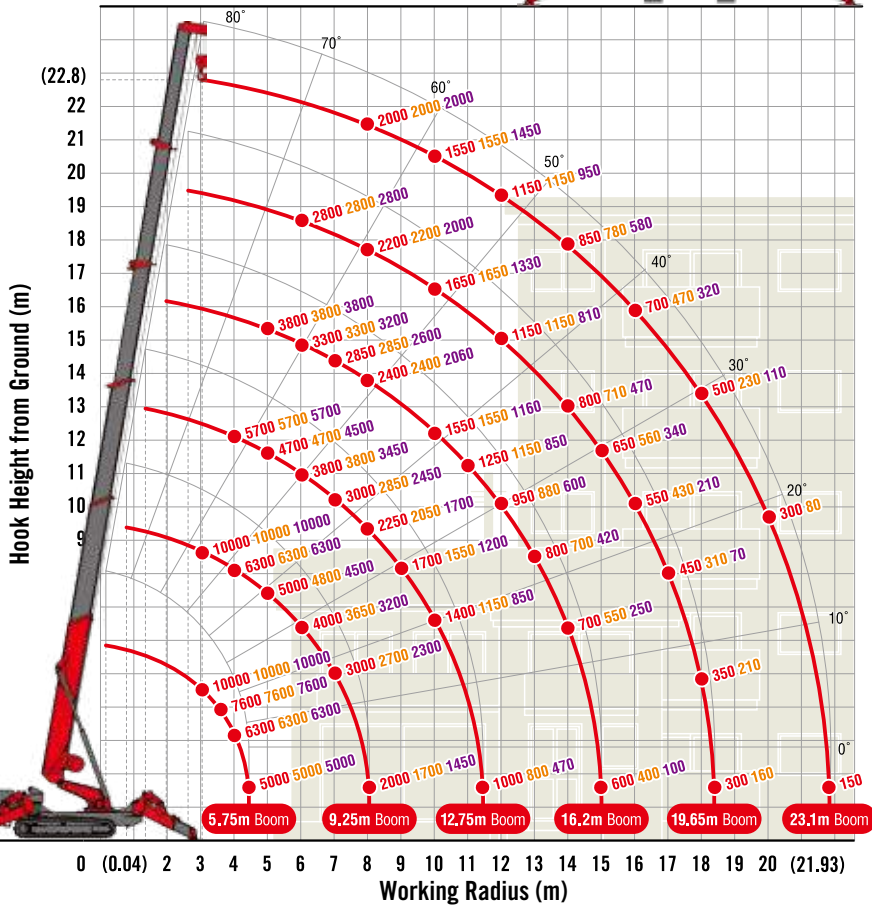
SPECIFICATIONS [with Electric power unit]

Crane model	URW1006C2E-1
Lifting capacity	Max. 10.14t at 3m : with Fly jib assembly Max. 1.05t at 9.7m (boom angle 70° and jib tilt angle 0°)
Working radius	Min. 0.04m, Max. 21.93m : with Fly jib assembly Max. 24.3m
Hook height (Approx.)	Above ground level Max. 22.8m : with Fly jib assembly Max. 30.7m Below ground level Max. 30m (with 4-part line) : Max. 128m (with 1-part line)
Boom	Length Min. 5.75m to Max. 23.1m Extending speed 17.35m / 88 sec. [50Hz] 17.35m / 123 sec. [60Hz] 17.35m / 103 sec. Raising angle / speed 0° to 80° / 44 sec. [50Hz] 0° to 80° / 80 sec. [60Hz] 0° to 80° / 67 sec. Structure 6-section box beam type telescoping boom
Winch	Single line speed 40 m/min (at 4th layer) 2nd: 64 m/min (at 4th layer) [50Hz] 20.8 m/min (at 4th layer) [60Hz] 24.8 m/min (at 4th layer) 2nd: [50Hz] 36 m/min (at 4th layer) [60Hz] 43.2 m/min (at 4th layer) Hook speed 10 m/min (at 4th layer with 4-part line) 2nd: 16 m/min (at 4th layer with 4-part line) [50Hz] 5.2 m/min (at 4th layer with 4-part line) [60Hz] 6.2 m/min (at 4th layer with 4-part line) 2nd: [50Hz] 9.2 m/min (at 4th layer with 4-part line) [60Hz] 10.8 m/min (at 4th layer with 4-part line) Wire rope Construction : XP IWRC 6 x WS(31) / Diameter x Length : 13mm x 140m / Breaking strength : 131kN [13400 kgf] Hook block 10t capacity, 3 sheaves with safety latch
Stewing	Range 360° continuous rotation on a ball bearing race Speed 1.3 rpm [50Hz] [60Hz] 1.2 rpm
Outriggers	Horizontal, Vertical / Position A double acting hydraulic cylinder, direct pushing type (Directly connected with hydraulic automatic lock device) / A double acting hydraulic cylinder with link system (Directly connected with hydraulic automatic lock device)
Hydraulic pump	Type Variable delivery piston pump Rated pressure For crawling: 27.5 MPa [280 kgf/cm ²] For crane(except boom raising): 20.6 MPa [210 kgf/cm ²] For boom raising only: 15.7 MPa [160 kgf/cm ²]
Hydraulic oil tank capacity	215 liters
Safety devices	Pressure relief valve for hydraulic circuit / Counterbalance valves for boom raising and boom telescoping cylinders / Pilot-operated check valves for outrigger cylinders (Horizontal) / Double pilot-operated check valves for outrigger cylinders (Vertical, Position) / Boom angle indicator with load indicator / Hook safety latch / Automatic mechanical brake for winch / Automatic stop for overwinding / Overwinding alarm / Automatic stop for leaving minimum wire rope / Emergency stop button / Inter-lock device of crane and crawling levers / Inter-lock device of crane and outriggers / Outrigger ground contact detector / Level / Safe load indicator / Three colored lamp / Headlight / Boom outrigger monitor lamp

MINI CRAWLER CRANE

WORKING RANGE & NET RATED LOADS (kg)

Outrigger ● Max-extended Mid-extended Min-extended



Hook Height below Ground level 30mm

with Electric power unit (Option)

Rated power	11.0kW (3-phase 4 poles)
Voltage	AC 400/400-440V (50Hz / 60Hz)

*No cable included.

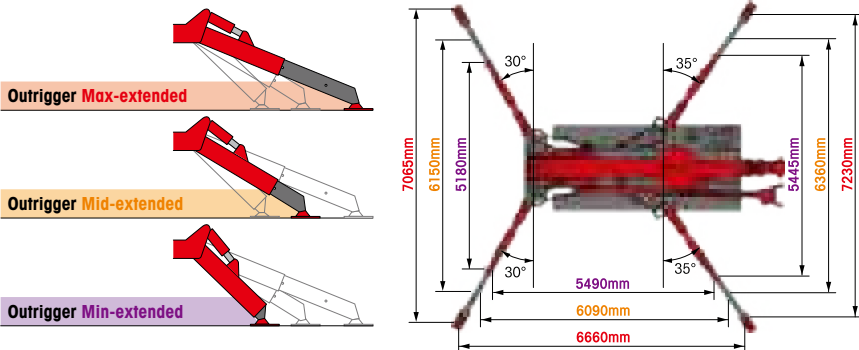
Fly jib assembly

Length	Retracted: 4.73m Extended: 7.87m
Lifting capacity	Max. 1050kg
Tilt angles	0° to 60°

Pick & Carry

Lifting capacity	1640kg
Working radius	2.5m
Boom length	Boom 1 and 1+2 only

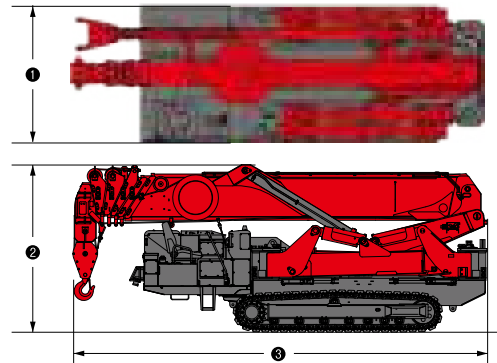
OUTRIGGER POSITIONS



CRAWLING GEAR [with Electric power unit]

Crane model	URW1006C2E-1
Crawling speed	0~2.6 km/h, forward / backward [50Hz] 0~1.3 km/h [60Hz] 0~1.5 km/h
Hill climbing ability	23°
Tread length × width	2515mm × 400mm
Ground contact pressure	67.3 kPa [0.69 kgf/cm ²] 68.2 kPa [0.70 kgf/cm ²]
Engine manufacturer / model	Yanmar / 4TNV88
Displacement	2189cc
Maximum output	30.1kW(40.9PS) / 2500 rpm, Continuous rated output
Fuel	Diesel
Fuel tank capacity	75 liters
Steering	Hydraulic drive independent of left / right

DIMENSIONS [with Electric power unit]



Crane model	URW1006C2E-1
① Total width	2000mm
② Total height	2460mm
③ Total length	6060mm
Mass of crane	13840kg [14020kg]

Standard equipments and Options



This transmitter is subject to alternation in some countries. For more information, contact your local UNIC distributor.

1 Radio remote control

A Standard model
B Safe load indicator model



2 Automatic stop for overwinding



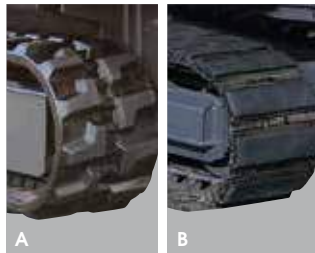
3 Automatic hook block stowing



4 Emergency stop button

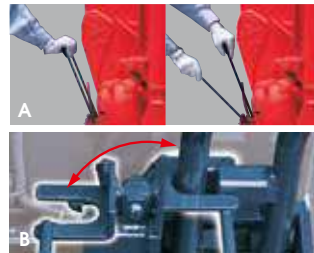


5 Level



6 Black crawler belt

A URW094C, URW295C, URW376C, URW546C, URW547C, URW706C
B URW1006C



7 Inter-lock device of crane and crawling levers

A URW094C, URW295C
B URW376C, URW546C, URW547C, URW706C, URW1006C



8 Headlight



9 Safe load indicator (with outrigger ground contact detector)



10 Automatic stop for overloading (KM-100/ML-300)

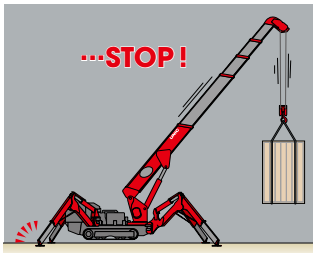


11 Load meter / Digital load meter

STANDARD EQUIPMENTS / OPTIONS [★ Standard, ● Factory-installed option, ○ Option, — Not available]

Crane model	URW094C			URW295C		
	URW094CP2E	URW295CP2A	URW295CP2E-1	URW295C4A	URW295C4E-1	URW295CB2A(ECO)
Fuel	Petrol	Petrol		Diesel		Battery
1 Radio remote control (A / B)	★ (A)	★ (A)	★ (B)	★ (A)	★ (B)	★ (A)
2 Automatic stop for overwinding	★	★	★	★	★	★
3 Automatic hook block stowing	★	★	★	★	★	★
4 Emergency stop button	★	★	★	★	★	★
5 Level	★	★	★	★	★	★
6 Black crawler belt (A / B)	★ (A)	★ (A)	★ (A)	★ (A)	★ (A)	★ (A)
7 Inter-lock device of crane and crawling levers	★ (A)	★ (A)	★ (A)	★ (A)	★ (A)	★ (A)
8 Head light	★	—	★	—	★	—
9 Safe load indicator (with outrigger ground contact detector)	—	—	★	—	★	—
10 Automatic stop for overloading (KM-100/ ML-300)	—	—	—	—	—	—
11 Load meter	★	★	—	★	—	★
Digital load meter	—	—	—	●	—	●
12 Turn over prevention device	—	★	—	★	—	★
13 Automatic stop for leaving minimum wire rope	★	●	★	●	★	●
14 Three colored lamp	—	●	★	●	★	●
Two colored lamp	—	—	—	—	—	—
15 Oil cooler	—	—	—	—	—	—
16 Fly jib with single line hook (Manual)	—	—	○	—	○	—
Fly jib with single line hook (Hydraulic tilt)	—	—	—	—	—	—
17 Single line hook	—	—	○	—	—	○
18 Searcher hook assembly	—	—	○	—	○	—
19 Working light	●	—	—	●	●	—
20 Outrigger mats	○	○	○	○	○	○
21 Gray crawler belt	●	●	●	●	●	●
22 Gray crawler belt (as spare)	○	○	○	○	○	○
23 Electric power unit (AC200V or AC400V) [Crane model]	—	● [URW295CP2AM]	● [URW295CP2EM-1]	● [URW295C4AM]	● [URW295C4EM-1]	—
24 20M cable for electric power unit (AC200V or AC400V)	—	○	○	○	○	—
25 2-part line hook block	—	—	○	—	○	—
26 4-2 multi-part line hook block	—	—	—	—	—	—

MINI CRAWLER CRANE



12 Turn over prevention device



13 Automatic stop for leaving minimum wire rope



14 Three colored lamp / Two colored lamp

A URW295C
B URW376C, URW546C, URW547C, URW706C, URW1006C



15 Oil cooler



16 Fly jib with single line hook (Manual / Hydraulic tilt)

*Searcher hook is included in manual Fly Jib



17 Single line hook



18 Searcher hook assembly



19 Working light



20 Outrigger mats



21 Gray crawler belt

22 Gray crawler belt (as spare)



23 Electric power unit (AC200V or AC400V)

*No cable included

24 20M cable for Electric power unit (AC200V or AC400V)

25 2-part line hook block

26 4-2 multi-part line hook block

URW376C		URW546C		URW547C		URW706C		URW1006C	
URW376C4A	URW376C4E-1	URW546C4A	URW546C4E-1	URW547C4A	URW547C4E-1	URW706C4A	URW706C4E-1	URW1006C2E-1	
Diesel		Diesel		Diesel		Diesel		Diesel	
★ (A)	★ (B)	★ (A)	★ (B)	★ (A)	★ (B)	★ (A)	★ (B)	★ (B)	1
★	★	★	★	★	★	★	★	★	2
★	★	★	★	★	★	★	★	★	3
★	★	★	★	★	★	★	★	★	4
★	★	★	★	★	★	★	★	★	5
★ (A)	★ (A)	★ (A)	★ (A)	★ (A)	★ (A)	★ (A)	★ (A)	★ (B)	6
★ (B)	★ (B)	★ (B)	★ (B)	★ (B)	★ (B)	★ (B)	★ (B)	★ (B)	7
★	★	★	★	★	★	★	★	★	8
—	★	—	★	—	★	—	★	★	9
★ (KM-100)	—	★ (KM-100)	—	★ (KM-100)	—	★ (ML-300)	—	—	10
—	—	—	—	—	—	—	—	—	11
★	—	★	—	★	—	—	—	—	12
—	—	—	—	—	—	—	—	—	13
★	★	★	★	★	★	★	★	★	14
★	★	★	★	★	★	—	★	★	15
—	—	—	—	—	—	★	—	—	16
●	●	●	●	★	★	★	★	★	17
—	○	—	○	—	—	—	○	—	18
—	—	—	—	—	—	—	—	—	19
—	—	—	—	—	—	—	—	—	20
—	—	—	—	—	—	—	—	—	21
—	—	—	—	—	—	—	—	—	22
—	—	—	—	—	—	—	—	—	23
●	●	●	●	●	●	●	●	●	24
[URW376C4AM]	[URW376C4EM-1]	[URW546C4AM]	[URW546C4EM-1]	[URW547C4AM]	[URW547C4EM-1]	[URW706C4AM]	[URW706C4EM-1]	[URW1006C2EM-1]	25
○	○	○	○	○	○	○	○	—	26
—	—	—	—	—	—	—	—	—	
—	—	—	—	—	—	—	●	★	

UNIC

FURUKAWA UNIC CORPORATION <http://www.uniccrane-global.com/>

Authorized **UNIC** distributor